

Danby®

OWNER'S MANUAL

MANUEL D'UTILISATION

MANUAL DEL PROPIETARIO

Model • Modèle • Modelo
DDW496W

CAUTION:

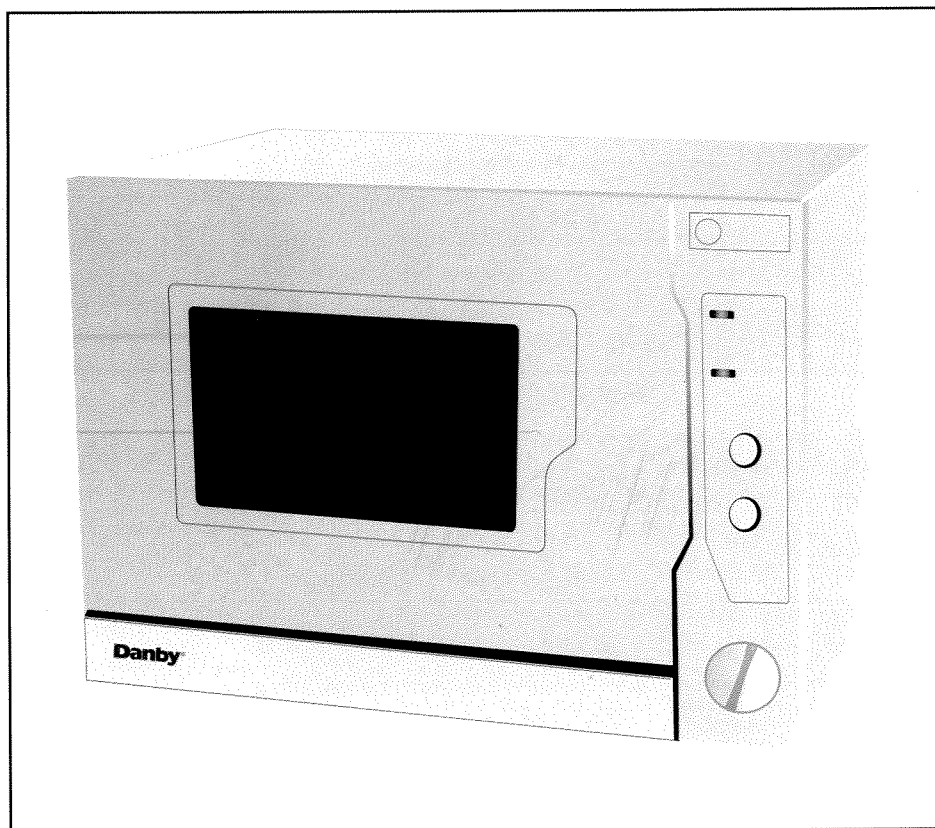
Read and follow all safety rules and operating instructions before first use of this product.

PRÉCAUTION:

Veillez lire attentivement les consignes de sécurité et les instructions d'utilisation avant l'utilisation initiale de ce produit.

ADVERTENCIA:

Es importante que lea y observe todas las reglas de seguridad e instrucciones de operación antes de usar este producto por primera vez.



COUNTERTOP DISHWASHER

Table of Contents1

LAVE-VAISSELLE À COMPTOIR

Table des matières9

LAVA PLATOS A CONTADOR

Índice17

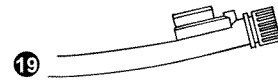
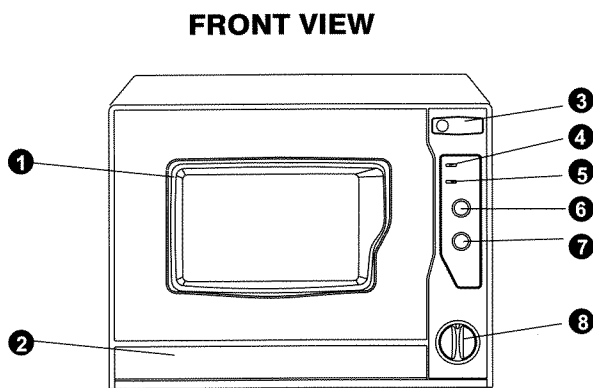


Table of Contents

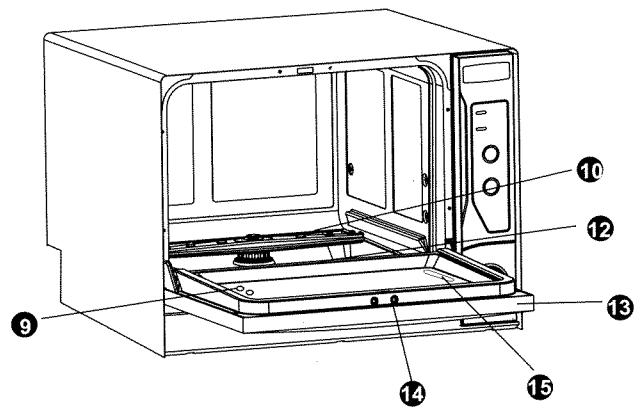
	Page
Unit Parts Identification	1
Important Safety Instructions	2
Installation	3
Water Pressure	3
Connecting & Disconnecting Instructions	3
Care and Maintenance	4
Features	5
Operating Tips	6
Program Summary/Selection	6
Common Problems and Solutions.....	7
Warranty	8

Unit Part Identification

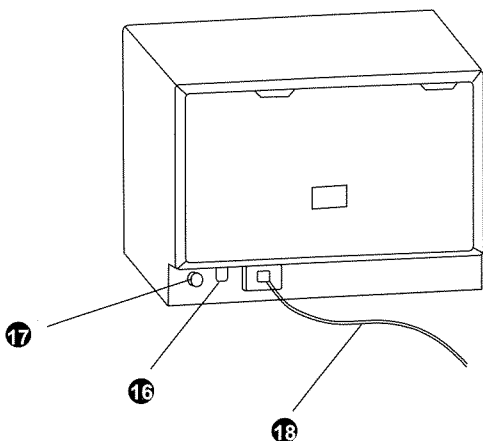
FRONT VIEW



INSIDE VIEW



REAR VIEW



- | | |
|------------------------------------|---------------------------------|
| 1. WINDOW | 12. FILTER |
| 2. FRONT PANEL | 13. DOOR ASSEMBLY |
| 3. DOOR RELEASE BUTTON | 14. DOOR LATCH MECHINISM |
| 4. PILOT LIGHT (POWER ON/OFF) | 15. DETERGENT (INDENT) LOCATION |
| 5. PILOT LIGHT (SANI-WASH) | 16. DRAIN HOSE CONNECTION |
| 6. SANI-WASH/ECONO BUTTON | 17. WATER INLET CONNECTION |
| 7. POWER (ON/OFF) BUTTON | 18. POWER CORD |
| 8. PROGRAM/TIMER SELECTOR | 19. QUICK CONNECT HOSE ASSEMBLY |
| 9. RINSE AGENT DISPENSER | |
| 10. SPRAY ARM | |
| 11. DISH RACK (NOT SHOWN) | |
| 11a. SILVERWARE BASKET (NOT SHOWN) | |

IMPORTANT SAFETY INSTRUCTIONS



WARNING



When using your dishwasher, follow basic safety precautions

- Read all instructions before using the dishwasher.
- Use the dishwasher only for its intended function.
- Use only detergents or wetting agents recommended for use in a dishwasher and keep them out of the reach of children.
- Do not use regular liquid detergent.

When loading items to be washed:

- Locate sharp items so that they are not likely to damage the door seal.
- Load sharp knives with the handles up to reduce the risk of cut-type injuries.
- Do not wash plastic items unless they are marked "dishwasher safe" or the equivalent.

For plastic items not so marked, check the manufacturer's recommendations.

- Do not touch the heating element during or immediately after use.

- Do not operate your dishwasher unless all enclosure panels are properly in place.
- Do not tamper with controls.
- Do not abuse, sit on, or stand on the door or dish-rack of the dishwasher.
- To reduce the risk of injury, do not allow children to play in or on a dishwasher.
- Under certain conditions, hydrogen gas may be produced in a hot-water system that has not been used for two weeks or more. **HYDROGEN GAS IS EXPLOSIVE.** If the hot-water system has not been used for such a period, before using the dishwasher turn on all hot-water faucets and let the water flow from each for several minutes. This will release any accumulated hydrogen gas. As hydrogen gas is flammable, do not smoke or use an open flame during this time.
- Remove the door to the washing compartment when removing an old dishwasher from service or discarding it.

SAVE THESE INSTRUCTIONS



WARNING



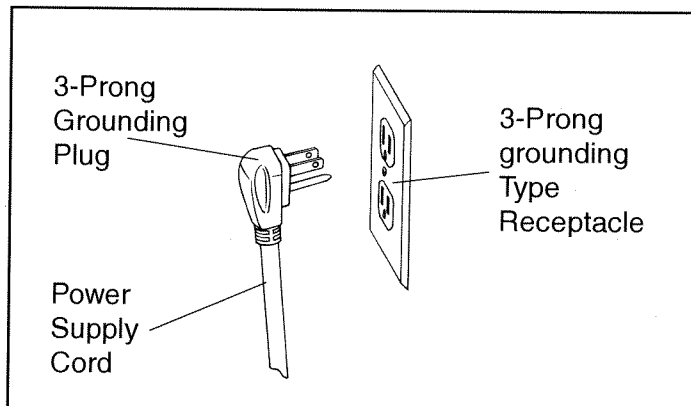
Instructions pertaining to a risk of fire, electric shock, or injury to persons.

Electrical Instructions:

An electrical supply of 120 volts AC only, 60Hz is required. **For your personal safety, the appliance must be grounded.** This appliance is equipped with a power supply cord having a 3-prong grounding plug. To minimize possible shock hazards it must be plugged into a matching 3-prong grounding type electrical outlet.

Grounding Instructions:

This appliance must be grounded. In the event of a malfunction or breakdown, grounding will reduce the risk of electric shock by providing a path of least resistance for electric current. This appliance is equipped with a cord having an equipment-grounding conductor and a grounding plug. The plug must be plugged into an appropriate outlet that is installed and grounded in accordance with all local codes and ordinances.



Installation Instructions



WARNING



A hose that attaches to a sink spray can burst if it is installed on the same water line as the dishwasher. If your sink has one, it is recommended that the hose be disconnected and the hole plugged.

If your existing faucet adapter is not compatible with the "quick connect" hose assembly supplied;

- Connect the faucet adapter (included with dishwasher) to your faucet.
- If your faucet is inclusive of a "male" type (threaded) connection, use only the standard rubber washer (0.2" / 5mm thick) supplied inside adapter. Remove the second (0.2" / 5mm thick) rubber washer.

- If your faucet is inclusive of a "female" type (threaded) connection, both rubber washers (0.2" / 5mm) must be installed inside the tap adapter.
- The minimum height clearance required to install your dishwasher on a countertop surface with overhead cupboards is 17-1/4" (43.8 cm)
- Make sure there is an electrical supply (outlet) within distance of the electrical power supply cord. (6 feet / 182.8 cm).
- Make sure the water supply faucet connection is within distance of the (fill & drain) hose assembly (6 feet / 182.8cm).
- The dishwasher must be installed on a "solid" level surface.
- To level the dishwasher, adjust the 4 level screws (feet) under the dishwasher.

Water Pressure

For best operating results, incoming water pressure should be between 15 and 120 pounds per square inch (psi).

FOR BEST RESULTS:

Your dishwasher cleans by spraying a mixture of hot clean water and detergent (under pressure) against the soiled surface of dishes. The water is pumped through a rotating spray arm, drained through a filter removing food and soiled particles and pumped back through the spray arm.

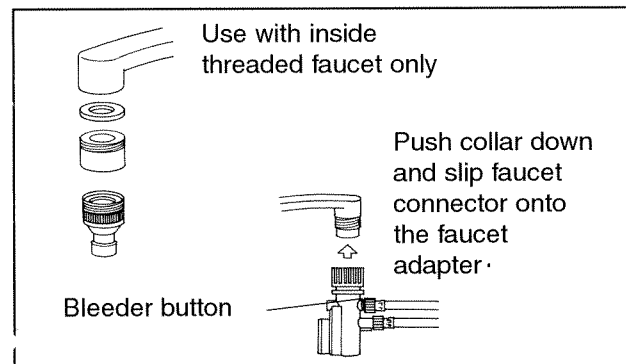
Soiled water is pumped out and replaced with clean water at the end of each cycle. (the number of times depends on the cycle being used) For best cleaning results, the water temperature must be at least 130°F (55°C). To prevent dishwasher damage, the temperature of the incoming water supply should not exceed 160°F (71°C).

Connecting your Dishwasher

Your dishwasher comes equipped with a "quick connect" (fill & drain) hose assembly.

A quick connect faucet adapter must be installed on the faucet before you can connect the dishwasher. This adapter is included inside your dishwasher.

The quick connect faucet adapter is compatible with faucets inclusive of either male (exterior) and female (interior) threaded faucet connections.



- Screw the faucet adapter onto the faucet. (check for leaks, use Teflon tape to eliminate if necessary)
 - Connect the open end of the drain hose to the drain port connection at the back of the dishwasher cabinet.
 - Connect the hot water inlet hose to the water inlet valve at the back of the dishwasher cabinet. (do not over-tighten to avoid damage to threads)
 - Attach the quick-connect onto the faucet adapter, by pulling down the (outer) locking collar of the quick connect, while pushing the quick connect upward up onto the faucet adapter.
 - When the quick-connect snaps onto the faucet adapter, release the locking collar. Verify the connection is secure.
 - Slowly open the hot water line and check for any sign of water leaks at all hose connections.
- If leaks are located, immediately close the water supply and repair the hose connections.



IMPORTANT



Once you open the water supply line, (even if it is closed immediately thereafter) the water inlet hose will be pressurized.



IMPORTANT



To relieve water pressure from inside the water inlet hose. Make sure the water line (faucet) is closed. Press and hold the "red" pressure relief button on the quick connect assembly, until the flow of water stops.



WARNING



FAILURE TO RELIEVE WATER PRESSURE BEFORE DISCONNECTING THE QUICK CONNECT ASSEMBLY FROM THE FAUCET, WILL RESULT IN BACK-PRESSURE OVER-SPRAY. THE TEMPERATURE OF INCOMING WATER CAN BE VERY HOT AND BACK PRESSURE OVER-SPRAY COULD CAUSE SEVERE BURNS AND/OR SCALDING.



CAUTION



DO NOT LET CHILDREN DISCONNECT THE DISHWASHER. Close supervision of children is always important around appliances.

NOTE: Hard Water conditions will adversely effect washability performance of your dishwasher. Hard Water conditions will also contribute to "Lime" (white film substance) deposits and/or "Scaling" on the stainless steel surface of the dishwasher tub and "Heater Element" located in the sump underneath the removable filter screen. To assist in minimizing these conditions, it is recommended to periodically operate/rinse the inside of the dishwasher (empty) using 1 cup of white vinegar. (at least once a week)

Disconnecting your Dishwasher

- Close the hot water supply at the faucet.
- Disconnect the power supply cord.
- Remember to release the water pressure inside the fill hose. Press and hold the "red" pressure relief button on the quick connect unit until the flow of water stops.
- Disconnect the quick connect hose assembly from the faucet , by pulling down on the (outer) locking collar.

Loading your Dishwasher

The dishwasher is designed to receive a standard "4 piece" plate setting consisting of the following:

- 4 Dinner Plates
- 4 Bread & Butter Plates
- 4 Fruit Bowls
- 4 Cups & Saucers
- 4 Dinner Forks
- 4 Dinner Knives
- 4 Salad Forks
- 4 Teaspoons
- 2 Serving Spoons
- 1 Serving Fork
- **NOTE:** For ease of loading/unloading large size dinner plates from the dish rack it may be necessary to (temporarily) remove the silverware basket. When loading/unloading is complete, return the silverware basket to it's original position.

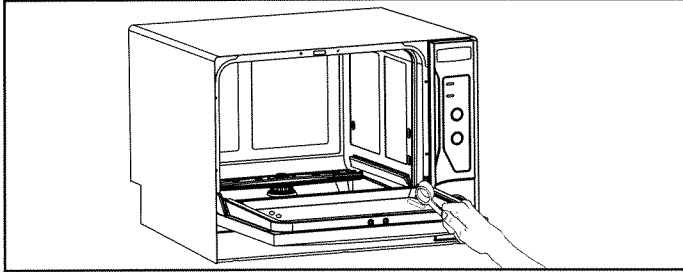
Preparing your Dishes for Washing

- Scrape off all solid food particles from the dishes.
- Remove excessive quantities of oil or grease.
- Empty any liquids from glasses and cups.
- All dishes should be thoroughly rinsed before being placed inside the dishwasher.

NOTE: Dishes with dried-on foods are more difficult to wash and may not come clean in a normal wash cycle.

Using the Right Detergent

Use only detergent specifically made for use in dishwashers, as other types will cause over-sudsing. If your detergent is old and/or lumpy, throw it away. Old detergent loses its washing power. Lumpy detergent won't dissolve.



How Much Detergent Should You Use

That depends if your water is "hard" or "soft".

HARD WATER REQUIRES MORE DETERGENT TO GET DISHES CLEAN.

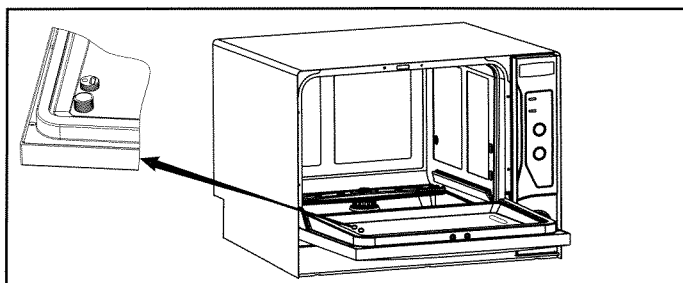
SOFT WATER REQUIRES LESS DETERGENT TO GET DISHES CLEAN.

- The recessed detergent area located on the inside door panel will hold approximately 20 grams/0.7oz (1/2 spoon) of detergent.

Using a Rinsing Agent

You can help prevent unsightly spots on dishes and glassware and reduce drying time by using a rinse agent. A rinse agent is specially formulated to rinse away food and detergent residues that can be left behind on your dishes. Used regularly, a rinse agent will automatically provide you with cleaner dishes every time you wash.

- To fill the rinse agent dispenser, unscrew the dispenser cap located on the inner door. Add the rinse agent slowly into the container until it just reaches the bottom of the filling cap inside the dispenser opening. Replace the cap. The dispenser automatically releases the rinse agent into the final rinse water at the end of the wash cycle. The dispenser holds approximately 125 ml (4.2 fl.oz.) of rinse agent.



Pre-Rinse Feature

The "Pre-Rinse" is a convenience feature that allows dishes to be rinsed, if you don't have a full load ready to be washed. (preventing foods from becoming dried/caked on the dish surface) It is not necessary to add detergent to the dishwasher during the Pre-Rinse cycle. However, due to the short duration of the pre-rinse cycle, (6 minutes only) make sure the incoming water supply is hot. Open the hot water faucet and run till hot, before connecting the dishwasher.



IMPORTANT



Your dishwasher is not a "garburator", clean off large particles of food sediments before placing dishes in the dishwasher.

Using the "Sani Wash" Feature

The "Sani-Wash" feature gives you the option of washing/drying dishes at very high water temperatures. When activated, the "Sani-Wash" feature energizes a heating element that will raise and maintain the internal water temperature of the dishwasher at 158°F (70°C).



CAUTION



Water temperatures this high can cause severe burns/scalding. Always exercise extreme care when opening and/or entering the dishwasher during the Sani-Wash cycle.

To activate this feature, push the "Sani" button on the control panel.

- Push button "in" = the "Sani-Wash" feature is activated. (Sani-Wash indicator light remains illuminated during the entire cycle)



WARNING



For the drain system to operate properly. The highest distance between the faucet quick connect and base of the dishwasher, should not exceed 15cm (6")

Using the "Econo" Feature

The "Econo" feature gives you the option of washing dishes at "normal" incoming water tank temperature. (usually between 130°~140°F / 54.4°~60°C)

When activated, the "Econo" feature "de-energizes" (by-passes) the heating element.

To activate the "Econo" feature push the "Sani/Econo" button on the control panel.

- Push button "out" the "Econo" feature is activated. (Sani-Wash indicator light remains off)



IMPORTANT



When the "Econo" feature is activated, drying time for the dishes will be increased. The dishes dry by a "convection" method only. To speed-up the drying time, suggest you leave the dishwasher door partially open after the program is complete. This will allow humidity from within to escape. Push the door open button and the door pops opens to a pre-set convection dry position.

Operating Instructions

To operate the dishwasher;

1. Attach the quick connect hose assembly to the faucet.
2. Push the door release button to open the door.
3. Place the dishes on the dishrack and cutlery inside the cutlery basket.
4. Fill the detergent area on inner door panel. (approx. 20 grams/0.7oz 1/2 spoon)

NOTE: If using the "Pre-Rinse" cycle only, it is not necessary to add detergent.

5. Close the door firmly.
6. Open the hot water faucet.
7. Turn the selector switch to the desired wash program. (Pre-Rinse, Normal, Short)
8. Push the power (on/off) button.
 - Push Button in = power on.
 - Push Button out = power off.The power light will illuminate indicating the machine is receiving power.
9. The dishwasher stops automatically at the end of the program. Both the power light and sani-wash light will remain illuminated, until the power (on/off) button is switched off.

NOTE: At the beginning of each cycle, the dishwasher always starts in the "drain" mode. This is because the drain pump always retains a small amount of water (in the sump) from the previous (last) cycle. This is necessary to keep the pump primed.

Therefore, don't be alarmed if you see a small amount of water being pumped-out from the drain hose prior to the start of the regular wash cycle. (THIS IS NORMAL)

Program Summary/Selection

PRE-RINSE

Water Temperature:	Incoming Water (Tank Temperature)
Program Duration:	6 Minutes
Water Consumption:	2.4 liters / 0.63US/gal.

NORMAL/SANI-WASH

Water Temperature:	158°F/70°C
Program Duration:	48 Minutes
Water Consumption:	8.6 liters / 2.27 US/gal.

NORMAL/ECONO

Water Temperature:	Incoming Water (Tank Temperature)
Program Duration:	37 Minutes
Water Consumption:	8.6 liters / 2.27 US/gal.

SHORT/SANI-WASH

Water Temperature:	158°F/70°C
Program Duration:	26 Minutes
Water Consumption:	6.5 liters / 1.7 US/gal.

SHORT/ECONO

Water Temperature:	Incoming Water (Tank Temperature)
Program Duration:	23 Minutes
Water Consumption:	6.5 liters / 1.7 US/gal.

Common Dishwashing Problems and Solutions

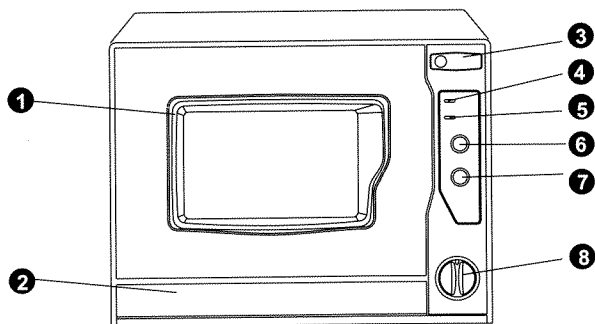
PROBLEM	POSSIBLE CAUSE	POSSIBLE SOLUTION
Dishwasher will not start	<ul style="list-style-type: none"> • Dishwasher not receiving electrical power. • Door is unlatched. • Dishwasher not level. 	<ul style="list-style-type: none"> • Check electrical connection Fuse/circuit breaker. • Close and latch door. • Level unit.
Dishes not clean	<ul style="list-style-type: none"> • Improper loading. • Spray arm not rotating freely. • Not enough detergent and/or improper detergent being used. • Improperly prepared dishes. • Water inlet hose kinked/bent due to improper installation. 	<ul style="list-style-type: none"> • Arrange dishes so spray action reaches all surfaces. • Do not overload dishwasher. • Check spray arm to make sure nothing (i.e. cutlery) is obstructing spray arm rotation. • Check if filter screen has become dislodged and obstructing spray arm rotation. • Use more dishwasher detergent. • Do not use detergent that is hard or caked. • Use only a recommended dishwasher detergent. • Excess food soil and liquids should be removed from dishes before loading. • Eliminate kink or bend from inlet hose.
Chipping or breaking glassware	<ul style="list-style-type: none"> • Improper loading of dishes. 	<ul style="list-style-type: none"> • Do not overload dishrack. Load glasses on the upper rack only, not over dishrack pins. Glasses loaded over dishrack pins are not properly supported and subject to damage.
Water remains in bottom of dishwasher	<ul style="list-style-type: none"> • A small amount of water (in sump area) is normal. • Excessive amount of water; Cycle not completed. 	<ul style="list-style-type: none"> • This is necessary to keep the pump primed and is drained automatically at the beginning of each cycle. • Allow dishwasher to complete full cycle.

Table des matières

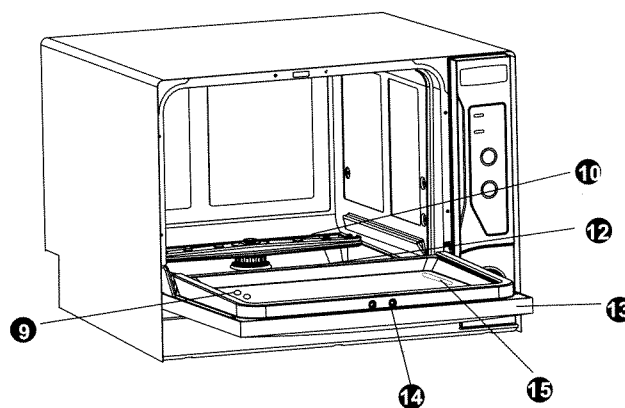
	Page
Identification des pièces de l'appareil	9
Mesure de sécurité importante	10
Installation	11
La pression d'eau	11
Instructions pour brancher & débrancher l'appareil	11
Soin et entretien	12
Caractéristiques	13
Conseil d'utilisation	14
Résumé des programmes et des sélections.....	14
Localisation de problèmes	15
Garantie.....	16

Identification des pièces de l'appareil

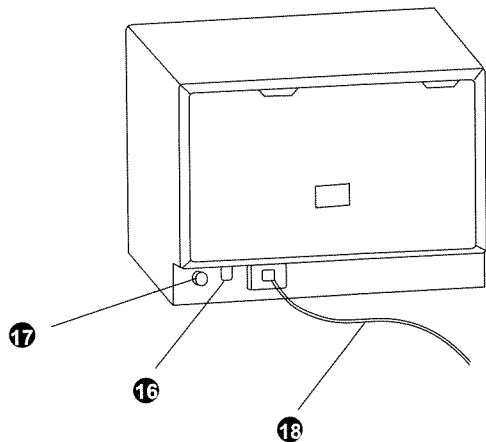
VUE FRONTALE



VUE INTÉRIEURE



VUE DE L'ARRIÈRE



- | | |
|--|--|
| <ul style="list-style-type: none"> 1. UNE FENÊTRE 2. PANNEAU AVANT 3. DÉCLENCHEUR DE PORTE 4. LAMPE TÉMOIN (POWER ON/OFF) 5. LAMPE TÉMOIN (SANI-WASH) 6. BOUTON SANI-WASH/ECONO 7. BOUTON DE MISE EN MARCHÉ (ON/OFF) 8. PROGRAMMATEUR PROGRAM/TIMER 9. DISTRIBUTEUR DE PRODUIT DE RINÇAGE 10. BRAS GICLEUR 11. PANIER 11A. PANIER À COUVERTS 12. FILTRE | <ul style="list-style-type: none"> 13. MONTAGE DE LA PORTE 14. LOQUET DE PORTE 15. DISTRIBUTEUR DE DÉTERGENT (CREUX) 16. RACCORD DU TUYAU DE VIDANGE 17. RACCORD DE CONDUITE D'EAU 18. CORDON D'ALIMENTATION 19. MONTAGE DE CONDUITE D'EAU À RACCORD RAPIDE |
|--|--|

IMPORTANTES CONSIGNES DE SÉCURITÉ



PRÉCAUTION



Suivez toujours les précautions de sécurité de base pendant l'utilisation du lave-vaisselle.

- Veuillez lire toutes les instructions avant l'utilisation du lave-vaisselle.
- Le lave-vaisselle doit être utilisé seulement pour sa fonction indiquée.
- Utilisez seulement un détergent ou un produit de rinçage recommandé pour le lave-vaisselle et gardez ces produits chimiques hors de la portée des enfants.
- N'utilisez pas de détergent liquide régulier.

Chargement de la vaisselle sale:

- Placez les objets coupants d'une façon qu'ils n'endommageront pas le joint étanche de la porte.
- Chargez les couteaux, poignées vers le haut afin de réduire le risque de blessure "genre coupure".
- Ne jamais laver d'ustensiles en plastique à moins qu'ils soient marqués "lavable au lave-vaisselle" ou d'une façon semblable.

Pour les objets en plastique qui n'ont pas une telle indication, vérifiez les instructions du fabricant.

- Ne jamais toucher l'élément chauffant durant ou

immédiatement après l'utilisation.

- Ne jamais faire fonctionner le lave-vaisselle si les parois intérieures ne sont pas installées.
- N'ajuster jamais les commandes.
- Il ne faut jamais abuser, s'asseoir, ou se mettre debout sur la porte ou le panier du lave-vaisselle.
- Pour réduire le risque de blessure, ne laissez jamais les enfants jouer sur ou proche du lave vaisselle.
- Sous certaines conditions, de l'hydrogène peut se produire dans les système d'eau chaude qui n'ont pas été utilisés pendant deux semaines ou plus.
L'HYDROGÈNE EST UNE MATIÈRE EXPLOSIVE. Si le système d'eau chaude n'a pas été utilisé pendant une longue durée, ouvrez tous les robinets à eau chaude et laissez couler l'eau pendant quelques minutes avant d'utiliser le lave-vaisselle. Ceci permet l'évacuation de l'hydrogène accumulé. Puisque l'hydrogène est inflammable, il ne faut pas fumer ou avoir une bougie allumée durant cette étape.
- Enlevez la porte du compartiment du lave-vaisselle avant de mettre le lave-vaisselle hors service ou de le jeter.

GARDER LES INSTRUCTIONS



PRÉCAUTION



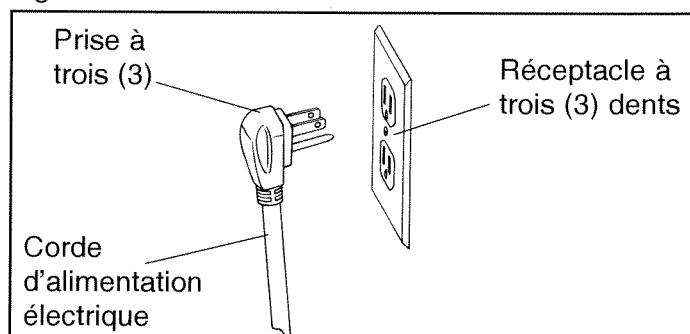
Consignes de sécurité tant qu'au risque de feu, choqe électrique, ou blessures corporelles.

Exigences électriques:

Seulement une alimentation électrique de 120 volts AC, 60 Hz (protégée par une fusible/disjoncteur de circuit de 15 amp) est exigée pour le fonctionnement de votre lave-vaisselle. **Pour votre sécurité corporelle, l'appareil doit être mis à la terre.** Cet appareil est alimenté par un cordon d'alimentation à 3 tiges mise à la terre. Pour réduire le risque de choc, il doit être branché dans une prise murale appareillée à 3 fiches, mise à la terre.

Instructions de mise a la terre:

Cet appareil doit être mis à la terre. S'il y a une déféctuosité ou une panne, la mise à la terre réduit le risque de choc électrique en donnant une voie de moins de résistance pour le courant électrique. Cet appareil est équipé d'un cordon d'alimentation pourvu d'un conducteur et d'une prise de mise à la terre d'équipement. La prise doit être branchée dans une prise murale adéquate, et installée et mise à la terre selon toutes les normes et ordonnances régionales.



Instructions D'installation



PRÉCAUTION



Une conduite d'eau attachée à une douchette d'évier peut éclater s'il est installée sur la même conduite d'eau que le lave-vaisselle. Si votre évier a une douchette, nous vous recommandons de débrancher la conduite et de boucher le trou.

Si l'aérateur de votre robinet ne s'ajuste pas au montage de conduite à raccord rapide;

- Raccorder l'adaptateur de robinet (inclus) à votre robinet.
- Si votre robinet est du genre à raccord "male" seulement (fileté), utilisez les rondelles standards en caoutchouc (0, 2 po / 5 mm d'épaisseur) fournies à l'intérieur de l'adaptateur. Enlevez la deuxième rondelle en caoutchouc de 0, 2 po (5 mm).

Pression d'eau

Pour obtenir des meilleurs résultats, la pression d'eau d'alimentation doit être entre 15 et 120 livres po2 (psi).

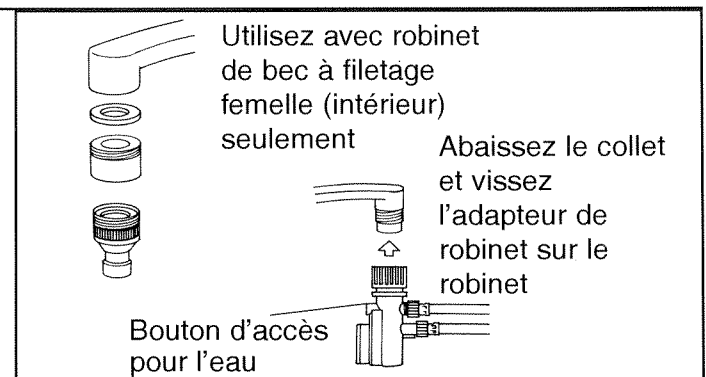
POUR OBTENIR DES MEILLEURS RÉSULTATS:

Le lave-vaisselle nettoie en vaporisant un mélange d'eau chaude propre et de détergent (sous pression) contre les surfaces sales de la vaisselle. L'eau est pompée à travers un bras gicleur, écoulee à travers un filtre qui enlève les aliments et les particules, et pompée de nouveau à travers le bras gicleur. L'eau sale est pompée dans le tuyau de vidange et remplacée par de l'eau fraîche à la fin de chaque cycle (le nombre de fois est choisi par le cycle utilisé). Le filtre doit être nettoyé de temps à autres. Pour obtenir les meilleurs résultats, la température de l'eau doit être au moins 130°F (55°C). Pour empêcher le risque d'endommager le lave-vaisselle, la température de l'eau du robinet ne doit pas dépassée 160°F (71°).

Raccord du lave-vaisselle

Votre lave-vaisselle est équipé d'un montage de conduit à "raccord rapide" (remplissage et écoulement). Un adaptateur pour le raccord rapide doit être installé sur le robinet avant de raccorder le lave-vaisselle. Cet adaptateur est inclus avec votre lave-vaisselle. Cet adaptateur à raccord rapide s'installe aux robinets, y compris ceux qui ont un bec à filetage male (extérieur) et femelle (intérieur).

- Si votre robinet est du genre à raccord "femelle" (fileté), utilisez les deux rondelles en caoutchouc (0, 2 po / 5 mm) pour l'installation de l'adaptateur sur le robinet.
- La hauteur minimale d'espace requise pour installer le lave-vaisselle sur la surface d'un comptoir qui a des armoires supérieures est 17-1/4 po. (43, 8 cm).
- Il faut s'assurer qu'il se trouve une prise de courant dans la distance du cordon d'alimentation (6 pieds/182,8 cm)
- Il faut s'assurer qu'il se trouve un raccord au robinet dans la distance du montage de conduit (remplissage et écoulement) (6 pieds/182,8 cm).
- Le lave-vaisselle doit être installé sur une surface solide et à niveau.
- Pour aplanir la lave-vaisselle ajustez les 4 vis de niveilement sous la lave-vaisselle.



- Vissez l'adaptateur de robinet sur le robinet. (Vérifiez contre les fuites, utilisez du ruban Téflon si nécessaire.)
- Branchez l'extrémité du tuyau de vidange au raccord de vidange situé à l'arrière du lave-vaisselle.
- Raccordez le conduit d'alimentation d'eau chaude à la soupape d'eau de remplissage à l'arrière du caisson de lave-vaisselle. (Il ne faut pas trop serrer, ceci peut endommager le filetage.)
- Raccordez le raccord rapide à l'adaptateur du robinet, en tirant le collet de verrouillage (extérieur) du raccord rapide vers le bas tout en poussant le raccord rapide vers le haut sur l'adaptateur du robinet.
- Une fois que le raccord rapide est bien ajusté sur l'adaptateur du robinet, relâchez le collet de

verrouillage. Vérifiez l'ajustement du raccord.

- Ouvrez lentement la poignée d'eau chaude, vérifiez qu'il n'y a pas de fuite d'eau sur le raccord du conduit. S'il se trouve des fuites, fermez immédiatement la poignée d'eau chaude et faites la réparation des raccords qui ont des fuites.



IMPORTANT



Une fois que vous ouvrez la conduite d'eau, le tuyau d'entrée d'eau est pressurisé (même si vous fermez immédiatement la conduite après l'avoir ouverte).



IMPORTANT



Pour dépressuriser la pression d'eau à l'intérieur du conduit, il faut s'assurer que l'alimentation d'eau (robinet) est fermée. Appuyez et tenez le bouton rouge de dépressurisation qui se trouve sur le montage du raccord rapide, jusqu'à ce que l'eau soit complètement écoulée.



ATTENTION



FAUTE DE DÉPRESSURISER LA PRESSION D'EAU AVANT DE DÉBRANCHER LE MONTAGE DE RACCORD RAPIDE DU ROBINET, RISQUE UN ÉCLAT D'EAU OCCASIONNÉ PAR UN REFOULEMENT DE PRESSION. LA TEMPÉRATURE DE L'EAU PEUT ÊTRE TRÈS CHAUDE ET L'ÉCLAT D'EAU VAPORISÉE PEUT CAUSER DES BRÛLURES GRAVES.



PRÉCAUTION



LES ENFANTS NE DOIVENT PAS DÉBRANCHER LE LAVE-VAISSELLE. La supervision des enfants autour des appareils ménagers est très importante.

Remarque: Le fait d'utiliser de l'eau dure nuit au rendement de votre lave-vaisselle. L'eau dure contribue également au dépôt de calcaire (pellicule blanche) et (ou) à l'entartrage des surfaces en acier inoxydable de la cuve du lave-vaisselle et de l'élément chauffant situé sous le filtre amovible. Pour minimiser ces conditions,

il est recommandé de faire fonctionner (rincer) le lave-vaisselle à vide en n'y mettant qu'une tasse de vinaigre blanc (au moins une fois par semaine).

Pour débrancher le lave-vaisselle

- Fermez l'alimentation d'eau chaude par la poignée.
- Débranchez le cordon d'alimentation.
- Il faut se rappeler de dépressuriser la pression d'eau à l'intérieur du conduit d'eau. Appuyez et retenez le bouton noir de dépressurisation sur le montage de raccord rapide jusqu'à ce que l'eau soit complètement écoulée.
- Débranchez l'assemblage de tuyau du robinet en tirant vers le bas par le cou du robinet.

Chargement du lave-vaisselle

Le lave-vaisselle est conçu pour contenir 4 couverts standards d'assiettes qui comprennent:

- 4 assiettes
 - 4 couteaux de table
 - 4 assiettes à dessert
 - 4 fourchettes à salade
 - 4 bols à fruits
 - 4 cuillers à thé
 - 4 tasses et assiettes à thé
 - 2 cuillers de service
 - 4 fourchettes de table
 - 1 fourchette de service
- Pour rendre le chargement/déchargement plus facile pour les assiettes plus grosses, ça pourrait être nécessaire d'enlever (temporairement) le panier des ustensiles. Quand vous avez fini le chargement remettez le panier des ustensiles à sa place originale.

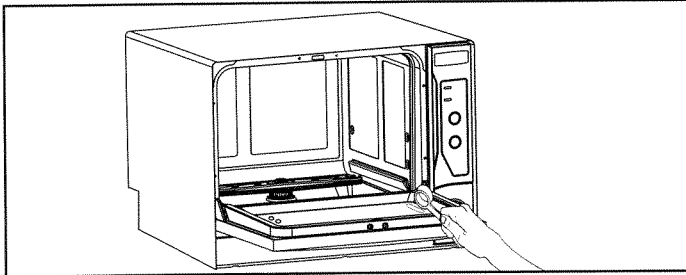
Préparation de la vaisselle pour le lavage

- Enlevez en raclant les particules d'aliments de la vaisselle.
- Enlevez les quantités excessives d'huile ou de gras.
- Videz tous les liquides des verres ou tasses.
- Toute la vaisselle doit être complètement rincée (utilisez l'option de pré-rinçage), si vous ne désirez pas laver la vaisselle immédiatement.

REMARQUE: Les aliments séchés sur la vaisselle sont plus difficiles à laver et peuvent rester sale après un cycle de lavage normal.

Utilisez le détergent approprié

Utilisez seulement le détergent conçu uniquement pour les lave-vaisselles, car les autres types de détergent sont trop savonneux. Si le détergent est vieux et/ou grumeleux, jetez-le. Le vieux détergent perd sa capacité de lavage. Le détergent grumeleux ne se dissout pas.



Combien de détergent dois-je utiliser

Ceci dépend de la douceur ou dureté de l'eau.

L'EAU DURE EXIGE PLUS DE DÉTERGENT POUR NETTOYER LA VAISSELLE.

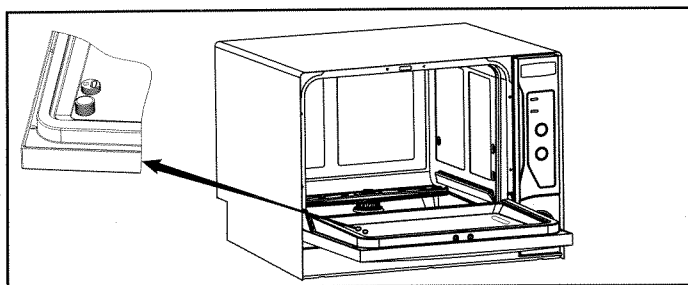
L'EAU DOUCE EXIGE MOINS DE DÉTERGENT POUR NETTOYER LA VAISSELLE.

- Le distributeur creux de détergent est situé sur le panneau intérieur de la porte du lave-vaisselle et contient approximativement 20 grammes/0.7 oz (1/2 cuillère) de détergent.

Utilisation de produit de rinçage

L'utilisation d'un produit de rinçage peut empêcher les taches sur la vaisselle et les verres, et réduire la durée de séchage. Un produit de rinçage est conçu spécifiquement pour le rinçage des aliments et des résidus de détergent qui peuvent rester collés sur votre vaisselle. L'utilisation régulière d'un produit de rinçage vous donne automatiquement de la vaisselle plus propre chaque fois que vous faites le lavage.

- Pour remplir le distributeur de produit de rinçage, dévissez le bouchon situé sur la partie intérieure de la porte. Déversez le produit de rinçage lentement dans le récipient jusqu'à ce que le niveau de produit touche le bout du capuchon de remplissage à l'intérieur du trou de distributeur. Fermez le bouchon. (Si vous avez de la difficulté



à remplir le produit de rinçage de la bouteille, remplissez le capuchon et versez le contenu dans le distributeur.) Le distributeur distribue automatiquement le produit de rinçage durant le dernier cycle de rinçage à l'eau à la fin de chaque programme (à l'exception du pré-rinçage). Le distributeur contient environ 125 ml (4.2 fl.oz.) de produit de rinçage.

Option de pré-rinçage

L'option de "pré-rinçage" est une caractéristique pratique qui permet de rincer la vaisselle si le lave-vaisselle n'est pas encore plein et prêt à fonctionner. (Ceci empêche les aliments de sécher/s'adhérer sur la surface de la vaisselle.) Le détergent n'est pas nécessaire durant le cycle de pré-rinçage. Toutefois, vu que le cycle de pré-rinçage est court (6 minutes seulement), il faut s'assurer que l'alimentation d'eau est chaude. Faites couler le robinet d'eau chaude jusqu'à ce que l'eau soit chaude, avant de raccorder le lave-vaisselle.



IMPORTANT



Votre lave-vaisselle n'est pas un broyeur et ne peut pas traiter les particules (solides) d'aliments. Les particules/sédiments d'aliments doivent être grattés avant de déposer la vaisselle dans le lave-vaisselle.

Option sani-wash (lavage sanitaire)

Le Sani-Wash vous donne l'option de laver/sécher la vaisselle à une très haute température. Une fois choisie, l'option Sani-Wash met un élément chauffant en marche qui soulève et maintient la température de l'eau à l'intérieur du lave-vaisselle à 158°F (70°C).



PRÉCAUTION



DES TEMPÉRATURES D'EAU SI ÉLEVÉE PEUVENT OCCASIONNER DES BRÛLURES GRAVES. IL FAUT TOUJOURS PRENDRE SOINS DURANT LA FERMETURE/OUVERTURE DU LAVE-VAISSELLE PENDANT LE CYCLE SANI-WASH.

Pour mettre l'option de Sani-Wash en marche, appuyez sur le bouton Sani/Econo sur le panneau de commande.

- Lorsque ce bouton est appuyé (poussé à l'intérieur) = l'option Sani-Wash est activée. (La lampe témoin Sani-Wash est allumée durant tout le cycle.)



AVIS



Afin que le système de tuyaux de drainage puisse fonctionner comme il faut la distance la plus haute entre le robinet de connection rapide et le base de la lave-vaisselle ne devrait pas dépasser 15 cm (6").

Option econo

Econo vous donne l'option de laver la vaisselle à la température normale du réservoir d'eau (standard à entre 130° à 140°F / 54,4° à 60°C)

Une fois choisie, l'option Econo ne met pas (circonvient) l'élément chauffant en marche.

Pour mettre l'option Econo en marche, appuyez sur le bouton Sani/Econo sur le panneau de commande.

- Lorsque ce bouton est ressortie = l'option Econo est activée. (La lampe témoin Sani-Wash n'est pas allumée)



IMPORTANT



Lorsque l'option Econo est activée, la durée de séchage augmente. La vaisselle est séchée par la "convection" seulement. Pour augmenter la vitesse du séchage, garder la porte du lave-vaisselle entre-ouverte une fois que le programme sera terminé. Ceci permet l'échappement de l'humidité. Appuyez sur le déclencheur de porte, la porte s'ouvre à la position de séchage par convection réglée à l'usine.

Instructions d'utilisation

Pour utiliser le lave-vaisselle;

1. Raccordez le montage de raccord rapide au robinet.
2. Appuyez sur le déclencheur pour ouvrir la porte.
3. Déposez la vaisselle dans le panier. Placez les ustensiles dans le panier à couvert.
4. Remplissez le distributeur de détergent qui se trouve dans le panneau intérieur de la porte (approx. 20 grammes/0.7oz 1/2 cuillère)

REMARQUE: Pour l'utilisation du cycle de pré-rinçage seulement, il n'est pas nécessaire d'utiliser de détergent.

5. Bien fermez la porte.
6. Ouvrez le robinet d'eau chaude.
7. Tournez le programmateur au cycle de lavage désiré. (Pre-Rinse=Pré-rinçage, Normal=Normale, Short=Court)

8. Appuyez sur l'interrupteur de puissance (On/Off).

- Bouton appuyez = mise en marche.
- Bouton sorti = arrêt.

La lampe témoin du lave-vaisselle s'allume pour indiquer qu'il est en marche.

9. Le lave-vaisselle se met en marche automatiquement. Les voyants de marche-arrêt et de lavage sanitaire demeurent allumés jusqu'à ce que le commutateur marche-arrêt soit mis à la position «arrêt».

REMARQUE: Au début de chaque cycle, le mode du lave-vaisselle est toujours à "drain" (vidange) car la pompe de vidange retient toujours un peu d'eau (dans le puisard) du lavage précédent. Ceci est nécessaire afin que la pompe soit toujours amorcée. Il ne faut pas alors être alarmé si un petit peu d'eau est pompée hors du conduit de vidange avant le début d'un cycle. (Ceci est normal.)

Sommaire/choix de programme

PRÉ-RINÇAGE

Température de l'eau: Eau de remplissage, température du réservoir

Durée du programme: 6 minutes

Consommation d'eau: 2,4 litres / 0,63 gal (A)

NORMAL/SANI-WASH

Température de l'eau: 158°F/70°C

Durée du programme: 48 minutes

Consommation d'eau: 8,6 litres / 2,27 gal (A)

NORMAL/ECONO

Température de l'eau: Eau de remplissage, température du réservoir

Durée du programme: 37 minutes

Consommation d'eau: 8,6 litres / 2,27 gal (A)

SHORT/SANI-WASH

Température de l'eau: 158°F/70°C

Durée du programme: 26 Minutes

Consommation d'eau: 6,5 litres / 1,7 gal (A)

SHORT/ECONO

Température de l'eau: Eau de remplissage, température du réservoir

Durée du programme: 23 Minutes

Consommation d'eau: 6,5 litres / 1,7 gal (A)

Solutions aux problèmes communs de lave-vaisselle

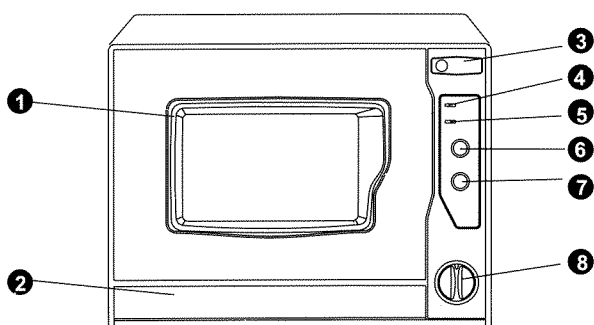
PROBLÈME	CAUSES POSSIBLES	CAUSES POSSIBLES
Lave-vaisselle ne fonctionne pas	<ul style="list-style-type: none"> • Lave-vaisselle n'est pas alimenté. • Porte n'est pas bien fermée. • Lave-vaisselle n'est pas à niveau. 	<ul style="list-style-type: none"> • Vérifiez la connexion électrique, la fusible/disjoncteur. • Assurez que la porte est bien fermée et enclenchée. • Mettez l'appareil à niveau.
Vaisselle est sale	<ul style="list-style-type: none"> • Chargement incorrect du lave-vaisselle. • Le bras gicleur ne tourne pas librement. • Quantité insuffisante de détergent et/ou détergent incorrect. • Vaisselle n'est pas bien rincée. • Conduit d'eau plié/tourné causé par une installation incorrecte. 	<ul style="list-style-type: none"> • Placez la vaisselle d'une façon que le vaporisation d'eau touche toutes les surfaces. • Ne pas surcharger le lave-vaisselle. • Vérifiez qu'aucune obstruction empêche l'action du bras gicleur (ex., ustensiles). • Vérifiez que le filtre n'a pas été déplacé et ne bloque pas l'action du bras gicleur. • Utilisez encore plus de détergent. • N'utilisez pas de détergent solide ou granuleux. • Utilisez seulement le détergent conçu pour le lave-vaisselle. • Le reste d'aliments et des liquides doit être enlevé avant de placer la vaisselle dans le lave-vaisselle. • Éliminez les plis du conduit d'eau.
Les verres sont éclatés ou brisés	<ul style="list-style-type: none"> • Chargement incorrect de la vaisselle. 	<ul style="list-style-type: none"> • Ne pas surcharger le panier à vaisselle. Chargez les verres dans le panier supérieur, pas sur les tiges du panier. Les verres chargés sur les tiges du panier ne sont pas bien supportés et peuvent être endommagés.
L'eau ne se vide pas du fond du lave-vaisselle	<ul style="list-style-type: none"> • Une petite quantité d'eau (dans l'amorçage) est normale. • Quantité excessive d'eau: Le cycle n'est pas fini. 	<ul style="list-style-type: none"> • La pompe doit toujours être amorcée et est vidée automatiquement au début de chaque cycle. • Le lave-vaisselle doit compléter tout le cycle.

Índice

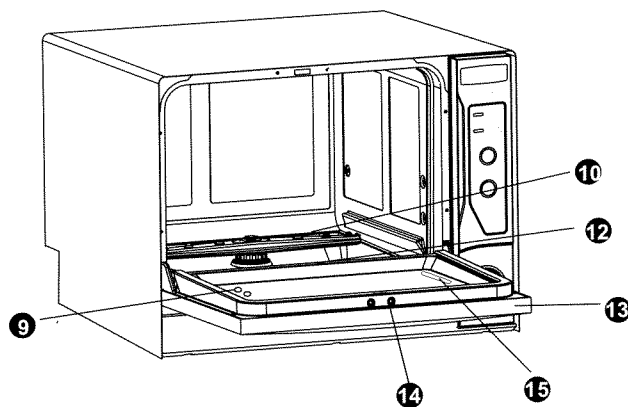
	Page
Identificación de las piezas de la unidad	17
Instrucciones para la seguridad	18
Instalación	19
Presión de agua	19
Instrucciones para conectar y desconectar el aparato	19
Cuidado y mantenimiento	20
Características	21
Instrucciones de operación	22
Resumen de las programas y selecciones	22
Problemas y soluciones comunes.....	23
Garantía	24

Identificación de las piezas de la unidad

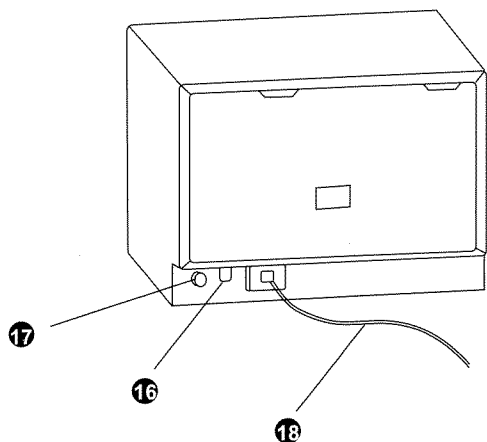
VISTA DE FRENTE



VISTA POR DENTRO



VISTA DESDE ATRÁS



- | | |
|---|---|
| 1. UNA VENTANA | 12. FILTRO |
| 2. PANEL FRONTAL | 13. UNIDAD DE LA PUERTA |
| 3. TECLA DE APERTURA DE PUERTA | 14. MECANISMO DE CIERRE DE LA PUERTA |
| 4. LUZ PILOTO (ENCENDIDO SÍ/NO) | 15. UBICACIÓN DEL DETERGENTE (MARCADO) |
| 5. LUZ PILOTO (SANI-WASH) | 16. CONEXIÓN DE LA MANGUERA DE DESAGÜE |
| 6. TECLA SANI-WASH/ECONO | 17. CONEXIÓN DE ENTRADA DE AGUA |
| 7. TECLA DE ENCENDIDO (SÍ/NO) | 18. CORDÓN DE ENERGÍA |
| 8. SELECTOR DE PROGRAMA/TEMPORIZADOR | 19. UNIDAD DE MANGUERA DE CONEXIÓN RÁPIDA |
| 9. DOSIFICADOR DEL PRODUCTO DE ENJUAGUE | |
| 10. BRAZO PULVERIZADOR | |
| 11. REJILLA PARA PLATOS | |
| 11A. CANASTA PARA LOS CUBIERTOS | |

IMPORTANTES INSTRUCCIONES DE SEGURIDAD



ADVERTENCIA



Cuando utilice su lavavajillas tome las precauciones básicas de seguridad.

- Lea todas las instrucciones antes de usar el lavavajillas.
- Use el lavavajillas sólo para su función específica.
- Use sólo detergentes o productos humectantes recomendados para su uso en lavavajillas y manténgalos alejados del alcance de los niños.

Cuando cargue los productos a lavar:

- Coloque los artículos con filo de manera que no dañen el sello de la puerta.
- Coloque los cuchillos afilados con los mangos hacia arriba para reducir el riesgo de lesiones.
- No lave productos de plástico a menos que expresen "apto para lavavajillas" o expresión equivalente.

Para los productos de plástico que no lo expresen, consulte las recomendaciones del fabricante.

- No toque el elemento térmico durante o inmediatamente después de su uso.
- No encienda el lavavajillas a menos que todos los paneles de cierre estén en su sitio.
- No fuerce los controles.
- No maltrate, no se siente ni se pare sobre la puerta o la rejilla del lavavajillas.
- Para reducir el riesgo de que se produzcan lesiones, no permita que los niños jueguen en o sobre el lavavajillas.
- En determinadas circunstancias, se puede producir hidrógeno en un sistema de agua caliente que no ha sido usado durante dos semanas o más. **EL HIDRÓGENO ES EXPLOSIVO.** Si no se ha utilizado el sistema de agua caliente durante este período, antes de usar el lavavajillas abra todos los grifos de agua caliente y deje que el agua fluya durante varios minutos. Esto liberará cualquier acumulación de hidrógeno. Como el hidrógeno es inflamable, no fume ni encienda ninguna llama en este momento.
- Retire la puerta del compartimiento de lavado cuando retire un lavavajillas usado o lo deseche.

GUARDE ESTAS INSTRUCCIONES



ADVERTENCIA



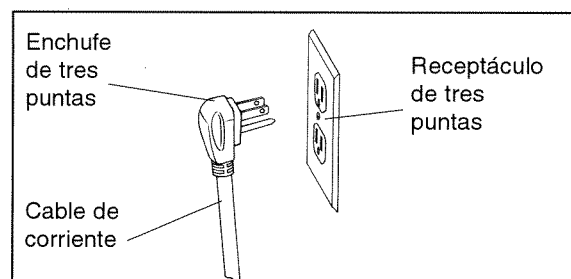
Instrucciones correspondientes al riesgo de incendio, choque eléctrico, o lesiones a las personas.

Requerimientos eléctricos:

Para operar su lavavajillas necesita un suministro eléctrico de 120 voltios CA solamente, 60 Hertz (protegido con un disyuntor de circuito/fusible de 15 amp). **Para su seguridad, el artefacto debe estar conectado a tierra.** Este artefacto está equipado con un cordón de suministro de energía con un enchufe de tres patas puesta a tierra. Para reducir los posibles peligros de choque debe enchufarse en un toma corriente eléctrico de tres patas puesta a tierra.

Instrucciones para la puesta a tierra:

Este artefacto debe ser puesto a tierra. En caso de mal funcionamiento o rotura, la puesta a tierra reducirá los riesgos de choque eléctrico suministrando un trayecto de menor resistencia al flujo eléctrico. Este artefacto está equipado con un cordón que tiene un conductor de puesta a tierra del equipo y un enchufe puesto a tierra. Se debe enchufar en un toma corriente adecuado que debe estar instalado y puesto a tierra según los códigos y ordenanzas locales.



Instrucciones para la instalación



ADVERTENCIA



Una manguera conectada a un pulverizador de fregadero se puede reventar si está instalada en la misma línea de agua que el lavavajillas. Si su fregadero tiene una, se recomienda que desconecte la manguera y tape el orificio.

Si su adaptador de grifo no es compatible con la unidad de manguera de "conexión rápida":

- Conecte el adaptador de grifo (incluido con el lavavajillas) a su grifo.
- Si su grifo es del tipo de conexión "macho" (roscada), use sólo la arandela de caucho estándar de 0, 2" (5 mm) de espesor que se suministra dentro del adaptador. Retire la segunda arandela de caucho de 0, 2" (5 mm) de espesor.

Presión de agua

Para obtener mejores resultados, la presión de entrada de agua debe estar entre 15 y 120 libras por pulgada cuadrada (psi).

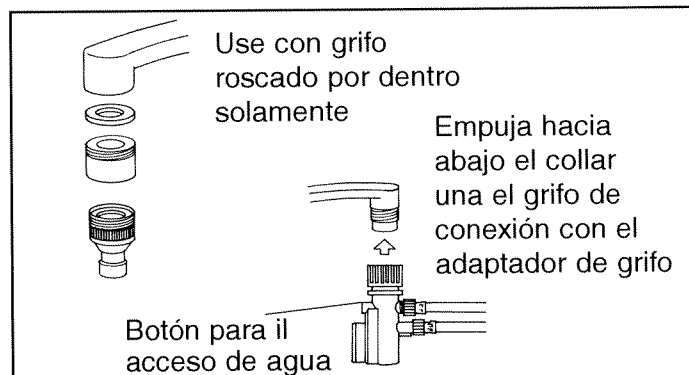
PARA OBTENER MEJORES RESULTADOS:

Su lavavajillas limpia pulverizando una mezcla de agua limpia caliente y detergente (bajo presión) contra la superficie sucia de la vajilla. El agua es bombeada a través del brazo pulverizador giratorio, y se drena a través de un filtro que quita las partículas de suciedad y comida y la vuelve a bombear a través del brazo pulverizador. El agua sucia es bombeada hacia fuera y se reemplaza con agua limpia al final de cada ciclo. (La cantidad de veces depende del ciclo que se use). Se requiere la limpieza periódica del filtro. Para obtener mejores resultados, la temperatura del agua debe ser de por lo menos 130°F (55°C). Para evitar daños en el lavavajillas, la temperatura del suministro de agua de entrada no debe exceder los 160°F (71°C).

Conexión de su lavavajillas:

Su lavavajillas viene equipado con una unidad de manguera de "conexión rápida" (llenado y desagüe). Se debe instalar un adaptador de grifo de conexión rápida en el grifo antes de conectar el lavavajillas. Este adaptador se incluye dentro de su lavavajillas. El adaptador de grifo de conexión rápida es compatible con grifos de conexión roscada macho (exterior) y hembra (interior).

- Si su grifo es del tipo de conexión "hembra" (roscada), se deben instalar ambas arandelas de caucho de 0, 2" (5 mm) de espesor dentro del adaptador del grifo.
- El espacio de altura mínimo requerido para instalar este lavavajillas en una superficie de encimera con alacenas es de 17-1/4" (43, 8 cm)
- Asegúrese de que haya un suministro eléctrico (toma corriente) dentro del largo del cordón de suministro eléctrico (6 pies/182,8 cm).
- Asegúrese de que el grifo de conexión para el suministro de agua esté dentro del largo de la unidad de manguera (de llenado y desagüe) (6 pies / 182,8 cm)
- Se debe instalar el lavavajillas en una superficie totalmente nivelada.
- Para allanar el lavavajillas ajusta los 4 tornillos de aplanamiento por debajo del lavavajillas.



- Atornille el adaptador en el grifo. (Revise que no haya pérdidas, si fuera necesario use cinta de Teflon)
- Conecte el extremo abierto de la manguera de desagüe que está en la parte posterior de la caja del lavavajillas
- Conecte la manguera de entrada de agua caliente a la válvula de admisión de agua en la parte trasera de la caja del lavavajillas. (No ajuste en exceso para evitar dañar las roscas).
- Una la conexión rápida al adaptador del grifo de la siguiente forma: tire hacia abajo (exterior) el collar inmovilizador de la conexión rápida, mientras empuja la conexión rápida hacia arriba dentro del adaptador del grifo.

- Cuando la conexión rápida calce en el adaptador del grifo, suelte el collar inmovilizador. Controle que haya calzado bien.
- Abra lentamente la línea de agua caliente y revise que no haya a signos de pérdidas de agua en ninguna de las conexiones de mangueras. Si encontrara pérdidas cierre inmediatamente el suministro de agua y repare las conexiones que tengan pérdidas. Si por alguna razón, no pudiera efectuar la reparación usted mismo, sírvase llamar a nuestra



IMPORTANTE



Una vez que haya abierto la línea de suministro de agua, (aún si la cerrara inmediatamente después) se presurizará la manguera de entrada de agua.



IMPORTANTE



Para liberar la presión de agua dentro de la manguera de entrada de agua, asegúrese de que el suministro de agua (grifo) esté cerrado. Presione y mantenga la tecla “rojo” de liberación de presión en la unidad de conexión rápida, hasta que cese el flujo de agua.



ADVERTENCIA



DE NO LIBERAR LA PRESIÓN DE AGUA ANTES DE DESCONECTAR LA UNIDAD DE CONEXIÓN RÁPIDA DEL GRIFO PUEDE PRODUCIRSE UNA PULVERIZACIÓN DE CONTRA PRESIÓN. LA TEMPERATURA DE AGUA DE ENTRADA PUEDE ESTAR MUY CALIENTE Y LA PULVERIZACIÓN DE CONTRA PRESIÓN PUEDE CAUSAR QUEMADURAS Y/O ESCALDADURAS.



PRECAUCIÓN



DNO PERMITA QUE LOS NIÑOS DESCONECTEN EL LAVAVAJILLAS. Es muy importante la supervisión de los niños cerca de los electrodomésticos.

Nota: El agua dura afectará negativamente la capacidad de lavado de su lavavajillas. Además, el agua dura contribuirá a la formación de depósitos de “cal” (capa de sustancia blanca) y / o “sarro” en la superficie de acero inoxidable de la caja del lavavajillas y del “elemento térmico” ubicado en el sumidero, debajo del filtro desmontable. Para ayudar a minimizar estas condiciones, se recomienda hacer funcionar/enjuagar periódicamente el interior del lavavajillas (vacío) utilizando 1 taza de vinagre blanco (por lo menos, una vez a la semana).

Desconexión del lavavajillas

- Cierre el suministro de agua caliente en el grifo.
- Desconecte el cordón de suministro de energía eléctrica.
- Recuerde liberar la presión de agua dentro de la manguera de llenado. Presione y mantenga la tecla negra de liberación de la presión en la unidad de la conexión rápida hasta que cese el flujo de agua.
- Desconecta el ensamblaje de manguera del grifo triando hacia abajo por el cueilo del grifo.

Carga del lavavajillas

El lavavajillas está diseñado para recibir una unidad estándar de 4 piezas compuesto de lo siguiente:

- 4 platos liso
 - 4 platos para postre
 - 4 tazones para fruta
 - 4 tazas y platos
 - 4 tenedores
 - 4 cuchillos
 - 4 tenedores para ensalada
 - 4 cucharitas de té
 - 2 cucharas para ensalada
 - 1 Tenedor de servir
- Para hacer el cargamento/descargamento de los platos más fácil podría ser necesario de quitar (temporalmente) la cesta de los utensilios. Cuando Ud. ha completado de cargar/descargar la lavavajillas devuelva a su lugar original la cesta de los utensilios.

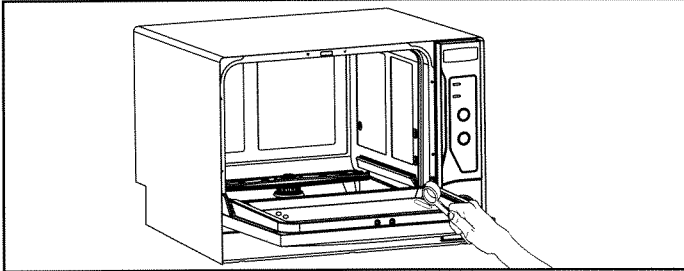
Preparación de la vajilla para el lavado

- Quite todas las partículas sólidas de alimentos de la vajilla.
- Retire el exceso de grasa o aceite.
- Vacíe los vasos y copas
- Toda la vajilla debe enjuagarse minuciosamente (use la característica del Pre-enjuague) si no es que va a lavar la vajilla inmediatamente.

NOTA: La vajilla que tenga restos de alimentos secos es más difícil de lavar y puede no quedar limpia en el ciclo de lavado normal.

Uso del detergente correcto

Use sólo el detergente hecho específicamente para su lavavajillas, pues de otra forma puede causar un exceso de espuma. Si su detergente es viejo y/o tiene grumos, descártelo. Los detergentes envejecidos pierden su poder de lavado. El detergente con grumos no se va a disolver.



¿Cuánto detergente debe usar?

Esto depende si el agua es dura o blanda.

EL AGUA DURA REQUIERE MÁS DETERGENTE PARA LIMPIAR LA VAJILLA.

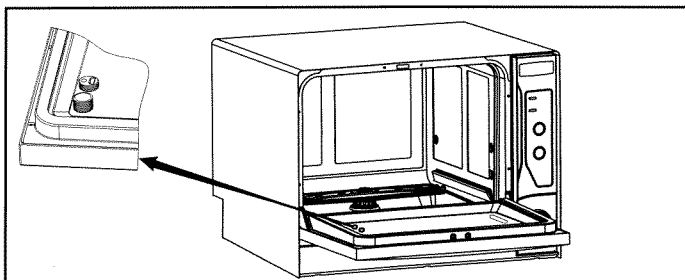
EL AGUA BLANDA REQUIERE MENOS DETERGENTE PARA LIMPIAR LA VAJILLA.

- El compartimiento empotrado para el detergente que se encuentra en el panel interior de la puerta del lavavajillas puede contener aproximadamente 20 gramos/0.7oz (1/2 cucharada) de detergente.

Uso de un producto de enjuague

Puede ayudar a evitar las manchas desagradables en la vajilla y las copas y reducir el tiempo de secado utilizando algún producto de enjuague. Los productos de enjuague están especialmente formulados para enjuagar los residuos de alimentos y detergente que puedan quedar en su vajilla. El agente de enjuague, usado con regularidad, brindará automáticamente vajilla más limpia cada vez que lave.

- Para llenar el dosificador de producto de enjuague, desenrosque la dispensador tapa ubicado en el interior de la puerta. Agregue el producto de enjuague lentamente, dentro del dosificador hasta que llegue a la parte inferior de la tapa de llenado dentro de la abertura del dosificador. Vuelva a colocar la tapa. Si tuviera dificultad al agregar el producto de enjuague directamente desde la botella, llene la tapa del producto de enjuague



viértalo en el dosificador. El dosificador, en forma automática, liberará el producto de enjuague en el último enjuague al final de cada programa. (Salvo en el pre-enjuague). El dosificador tiene capacidad para 125 ml (4.2 fl.oz.) de producto de enjuague.

Característica de pre-enjuague

El ciclo de "Pre-enjuague" es una característica muy práctica que permite enjuagar los platos cuando no tiene aún una carga completa para lavar. (Esto evita que los alimentos se sequen/aglutinen en la superficie de la vajilla. No se necesita utilizar detergente durante el ciclo de pre-enjuague. No obstante, debido a la corta duración del ciclo de pre-enjuague, (sólo 6 minutos) asegúrese de que el agua de entrada esté caliente. Abra el grifo de agua caliente y déjela correr hasta que esté caliente antes de conectar el lavavajillas.

⚠ IMPORTANTE ⚠

Su lavavajillas no es un tacho de basura y no puede eliminar las partículas de alimentos sólidos. Debe quitar todo el exceso de partículas de alimentos/sedimentos de la vajilla antes de colocarla en el lavavajillas.

Uso de la característica "sani-wash"

La característica "Sani-Wash" le brinda la opción de lavar/secar la vajilla a muy alta temperatura de agua. Cuando está activada, la característica Sani-Wash activa un elemento térmico que eleva y mantiene la temperatura interna del agua del lavavajillas a 158°F (70°C).

⚠ PRECAUCIÓN ⚠

Las temperaturas tan altas pueden causar quemaduras y escaldaduras severas. Siempre tenga mucho cuidado cuando abra el lavavajillas durante el ciclo Sani-Wash y no introduzca las manos o brazos. Para activar la característica Sani-Wash, presione la tecla "Sani/Econo en el panel de control.

Para activar la característica Sani-Wash, presione la tecla "Sani/Econo en el panel de control.

- Presione la tecla "in" = el ciclo Sani-Wash se activa (se enciende la luz indicadora Sani-Wash durante todo el ciclo)

⚠ AVISO ⚠

Para operar la sistema de drenaje debidamente la distancia la más alta entre el grifo de conexión rápida y el base del lavavajillas no debería pasar 15 cm (6").

Uso de la característica "econo"

La característica "Econo le brinda la opción de lavar la vajilla a la temperatura normal de entrada del tanque de agua. (Generalmente entre 130° – 140°F / 54,4° – 60°C) Cuando está activada, la característica "Econo" desactiva (pasa por alto) el elemento térmico. Para activar la característica "Econo" presione la tecla "Sani/Econo" en el panel de control.

- Presione la tecla "out" = el ciclo "Econo" se activa (luz indicadora Sani-Wash permanece apagada)



IMPORTANTE



Cuando esté activada la característica "Econo", el tiempo de secado de la vajilla aumentará. La vajilla se seca a través del método de convección solamente. Para acelerar el tiempo de secado, deje la puerta del lavavajillas parcialmente abierta una vez que el programa haya terminado. Esto permitirá que salga la humedad del interior. Presione la tecla para abrir la puerta y ésta se abra en la posición prefijada de secado por convección.

Instrucciones para la operación

Para operar el lavavajillas:

1. Una la unidad de la manguera de conexión rápida al grifo.
2. Para abrir la puerta, presione la tecla de apertura de puerta.
3. Coloque la vajilla en la rejilla. Coloque los cubiertos dentro de la canasta para cubiertos.
4. Llene el dosificador de detergente en el panel interior de la puerta. (Aprox, 20 gramos/0.7oz 1/2 cuchara)

NOTA: Si sólo usa el ciclo de "pre-enjuague", no es necesario agregar detergente

5. Cierre correctamente la puerta .
6. Abra el grifo de agua caliente.
7. Gire el conmutador selector al programa de lavado deseado. (Pre-enjuague, normal, corto).
8. Presione la tecla de encendido (Sí/No)
 - Presione la tecla "in" = encendido
 - Presione la tecla "out" = apagadoAparecerá la luz de encendido, lo que indicará que la máquina recibe energía eléctrica.

9. El lavavajillas se detiene automáticamente al final del programa. (Tanto la luz de encendido y como la del ciclo Sani-Wash permanecen encendidas hasta que se apague la tecla de encendido (si/no)

NOTA: Al comienzo de cada ciclo, el lavavajillas siempre comienza en el modo "desagüe". Esto se debe a que la bomba de desagüe siempre retiene una pequeña cantidad de agua (en el sumidero) del último programa efectuado. Esto mantiene cebada la bomba. Por lo tanto, no se alarme si ve una pequeña cantidad de agua en la manguera de desagüe antes del comienzo regular del ciclo (esto es normal).

Resumen de programa/selección

PRE-ENJUAGUE

Temperatura del agua: Agua de entrada
temperatura del tanque
Duración del programa: 6 minutos
Consumo de agua: 2,4 l / 0,63 gal EE UU

NORMAL/SANI-WASH

Temperatura del agua: 158°F/70°C
Duración del programa: 48 minutos
Consumo de agua: 8,6 l / 2,27 gal EE UU

NORMAL/ECONO

Temperatura del agua: Agua de entrada
temperatura del tanque
Duración del programa: 37 minutos
Consumo de agua: 8,6 l / 2,27 gal EE UU

CORTO/SANI-WASH

Temperatura del agua: 158°F/70°C
Duración del programa: 26 minutos
Consumo de agua: 6,5 l / 1,7 gal EE UU

CORTO/ECONO

Temperatura del agua: Agua de entrada
temperatura del tanque
Duración del programa: 23 minutos
Consumo de agua: 6,5 l / 1,7 gal EE UU

Problemas y soluciones comunes del lavavajillas

PROBLEMA	CAUSA POSIBLE	SOLUCIÓN POSIBLE
El lavavajillas no se enciende	<ul style="list-style-type: none"> • El lavavajillas no recibe energía eléctrica. • La puerta no tiene el seguro. • El lavavajillas no está nivelado. 	<ul style="list-style-type: none"> • Revise la conexión eléctrica. El disyuntor de fusible/circuito. • Cierre y ponga el seguro a la puerta. • Nivele la unidad.
La vajilla no está limpia	<ul style="list-style-type: none"> • Carga incorrecta. • El brazo pulverizador no gira libremente. • No se usa la cantidad suficiente de detergente y/o el detergente es inadecuado. • Vajilla preparada en forma inadecuada. • La manguera de suministro de agua está doblada debido a una instalación incorrecta. 	<ul style="list-style-type: none"> • Coloque la vajilla de manera que el pulverizador llegue a todas las superficies. • No sobrecargue el lavavajillas. • Revise el brazo pulverizador para asegurarse de que no haya nada que obstruya su rotación. (Por ej. cubiertos) • Revise si la rejilla del filtro se ha desplazado y obstruye la rotación del brazo pulverizador. • Use más cantidad de detergente para lavavajillas. • No use detergente que esté endurecido o aglutinado. • Sólo use el detergente para lavavajillas recomendado. • Se debe quitar todo exceso de partículas de alimentos y los líquidos de la vajilla antes de cargar. • Elimine los dobleces en la manguera de suministro.
La cristalería está saltada o quebrada	<ul style="list-style-type: none"> • Carga incorrecta de la vajilla. 	<ul style="list-style-type: none"> • No sobrecargue la rejilla. Sólo ponga copas en la parte superior, no sobre las patas de la rejilla. Las copas que se colocan en las patas de la rejilla no cuentan con el suficiente apoyo por lo que se pueden romper.
Queda agua en la parte inferior del lavavajillas	<ul style="list-style-type: none"> • Un pequeña cantidad de agua (en el sumidero) es normal. • Cantidad excesiva de agua: El ciclo no está completo. 	<ul style="list-style-type: none"> • Esto es necesario para mantener la bomba cebada y se drena automáticamente al comienzo de cada ciclo. • Deje que el lavavajillas complete el ciclo completo.

