

Refrigerator
Kühlschrank
Réfrigérateur
Koelkast
Refrigerador

B 1750 HCA
B 1750 HCA W
B 1751
B 1752 F
B 1752

BEKO

Please read this manual first!

Dear Customer,

We hope that your product, which has been produced in modern plants and checked under the most meticulous quality control procedures, will provide you an effective service.

For this, we recommend you to carefully read the entire manual of your product before using it and keep it at hand for future references.




This manual

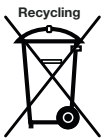
- Will help you use your appliance in a fast and safe way.
- Read the manual before installing and operating your product.
- Follow the instructions, especially those for safety.
- Keep the manual in an easily accessible place as you may need it later.
- Besides, read also the other documents provided with your product.

Please note that this manual may be valid for other models as well.

Symbols and their descriptions

This instruction manual contains the following symbols:

-  Important information or useful usage tips.
-  Warning against dangerous conditions for life and property.
-  Warning against electric voltage.



This product is supplied with the selective sorting symbol for waste electrical and electronic equipment (WEEE).

This means that this product must be handled pursuant to European Directive 2002/96/EC in order to be recycled or dismantled to minimise its impact on the environment. For further information, please contact your local or regional authorities.

Electronic products not included in the selective sorting process are potentially dangerous for the environment and human health due to the presence of hazardous substances.

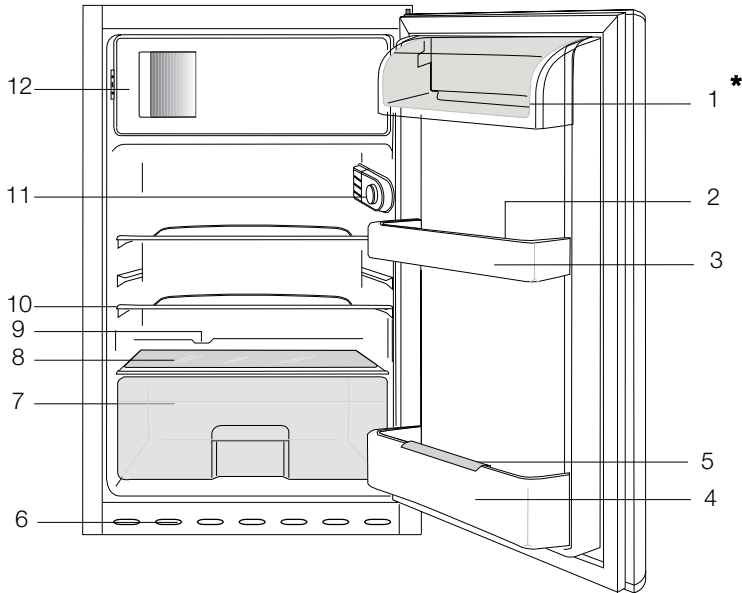


This product was manufactured using the latest technology in environmentally friendly conditions.

CONTENTS

1 Your refrigerator	3	4 Preparation	13
2 Important Safety Warnings	4	5 Using your refrigerator	14
Intended use	4	Thermostat setting button.....	14
For products with a water dispenser; ..	6	Cooling.....	14
Child safety.....	6	Freezing.....	15
HCA Warning	6	Defrost	15
Things to be done for energy saving ..	7	Stopping your product.....	16
3 Installation	8	6 Maintenance and cleaning	17
Points to be considered when re-transporting your refrigerator	8	Protection of plastic surfaces	17
Before operating your refrigerator	8	7 Recommended solutions for the problems	18
Electric connection	8		
Disposing of the packaging	9		
Disposing of your old refrigerator	9		
Placing and Installation	9		
Replacing the interior light bulb	10		
Reversing the doors	11		

1 Your refrigerator



- 1. Dairy compartment
- 2. Egg tray (1 pcs.)
- 3. Door shelves
- 4. Bottle shelf
- 5. Bottle gripper
- 6. Air grill
- 7. Crisper
- 8. Crisper cover
- 9. Defrost water collection channel - Drain tube
- 10. Movable shelves
- 11. Interior light & Thermostat knob
- 12. a.) Freezing compartment & ice tray (for * ***) models b.) Frozen food compartment & ice tray (for (**)) models

*** optional**

i Figures that take place in this instruction manual are schematic and may not correspond exactly with your product. If the subject parts are not included in the product you have purchased, then it is valid for other models.

2 Important Safety Warnings

Please review the following information. Failure to observe this information may cause injuries or material damage. Otherwise, all warranty and reliability commitments will become invalid.

The usage life of the unit you purchased is 10 years. This is the period for keeping the spare parts required for the unit to operate as described.

Intended use

This product is intended to be used

- indoors and in closed areas such as homes;
- in closed working environments such as stores and offices;
- in closed accommodation areas such as farm houses, hotels, pensions.
- This product should not be used outdoors.

General safety

- When you want to dispose/scrap the product, we recommend you to consult the authorized service in order to learn the required information and authorized bodies.
- Consult your authorized service for all your questions and problems related to the refrigerator. Do not intervene or let someone intervene to the refrigerator without notifying the authorised services.
- For products with a freezer compartment; Do not eat cone ice cream and ice cubes immediately after you take them out of the freezer compartment! (This may cause frostbite in your mouth.)

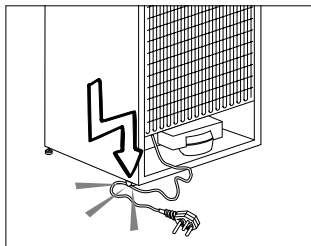
- For products with a freezer compartment; Do not put bottled and canned liquid beverages in the freezer compartment. Otherwise, these may burst.
- Do not touch frozen food by hand; they may stick to your hand.
- Unplug your refrigerator before cleaning or defrosting.
- Vapor and vaporized cleaning materials should never be used in cleaning and defrosting processes of your refrigerator. In such cases, the vapor may get in contact with the electrical parts and cause short circuit or electric shock.
- Never use the parts on your refrigerator such as the door as a means of support or step.
- Do not use electrical devices inside the refrigerator.
- Do not damage the parts, where the refrigerant is circulating, with drilling or cutting tools. The refrigerant that might blow out when the gas channels of the evaporator, pipe extensions or surface coatings are punctured causes skin irritations and eye injuries.
- Do not cover or block the ventilation holes on your refrigerator with any material.
- Electrical devices must be repaired by only authorised persons. Repairs performed by incompetent persons create a risk for the user.
- In case of any failure or during a maintenance or repair work, disconnect your refrigerator's mains supply by either turning off the

relevant fuse or unplugging your appliance.

- Do not pull by the cable when pulling off the plug.
- Place the beverage with higher proofs tightly closed and vertically.
- Never store spray cans containing flammable and explosive substances in the refrigerator.
- Do not use mechanical devices or other means to accelerate the defrosting process, other than those recommended by the manufacturer.
- This product is not intended to be used by persons with physical, sensory or mental disorders or unlearned or inexperienced people (including children) unless they are attended by a person who will be responsible for their safety or who will instruct them accordingly for use of the product
- Do not operate a damaged refrigerator. Consult with the service agent if you have any concerns.
- Electrical safety of your refrigerator shall be guaranteed only if the earth system in your house complies with standards.
- Exposing the product to rain, snow, sun and wind is dangerous with respect to electrical safety.
- Contact authorized service when there is a power cable damage to avoid danger.
- Never plug the refrigerator into the wall outlet during installation. Otherwise, risk of death or serious injury may arise.
- This refrigerator is intended for only storing food items. It must not be

used for any other purpose.

- Label of technical specifications is located on the left wall inside the refrigerator.
- Never connect your refrigerator to electricity-saving systems; they may damage the refrigerator.
- If there is a blue light on the refrigerator, do not look at the blue light with optical tools.
- For manually controlled refrigerators, wait for at least 5 minutes to start the refrigerator after power failure.
- This operation manual should be handed in to the new owner of the product when it is given to others.
- Avoid causing damage on power cable when transporting the refrigerator. Bending cable may cause fire. Never place heavy objects on power cable. Do not touch the plug with wet hands when plugging the product.



- Do not plug the refrigerator if the wall outlet is loose.
- Water should not be sprayed directly on inner or outer parts of the product for safety purposes.
- Do not spray substances containing inflammable gases such as propane gas near the refrigerator to avoid fire and explosion risk.

- Never place containers filled with water on top of the refrigerator, otherwise this may cause electric shock or fire.
- Do not overload your refrigerator with excessive amounts of food. If overloaded, the food items may fall down and hurt you and damage refrigerator when you open the door. Never place objects on top of the refrigerator; otherwise, these objects may fall down when you open or close the refrigerator's door.
- As they require a precise temperature, vaccines, heat-sensitive medicine and scientific materials and etc. should not be kept in the refrigerator.
- If not to be used for a long time, refrigerator should be unplugged. A possible problem in power cable may cause fire.
- The plug's tip should be regularly cleaned; otherwise, it may cause fire.
- The plug's tip should be cleaned regularly with a dry cloth; otherwise, it may cause fire.
- Refrigerator may move if adjustable legs are not properly secured on the floor. Properly securing adjustable legs on the floor can prevent the refrigerator to move.
- When carrying the refrigerator, do not hold it from door handle. Otherwise, it may be snapped.
- When you have to place your product next to another refrigerator or freezer, the distance between devices should be at least 8cm. Otherwise, adjacent side walls may be humidified.

For products with a water dispenser;

Pressure of water mains should be minimum 1 bar. Pressure of water mains should be maximum 8 bars.

- Use only potable water.

Child safety

- If the door has a lock, the key should be kept away from reach of children.
- Children must be supervised to prevent them from tampering with the product.

HCA Warning

If your product's cooling system contains R600a:

This gas is flammable. Therefore, pay attention to not damaging the cooling system and piping during usage and transportation. In the event of damage, keep your product away from potential fire sources that can cause the product catch a fire and ventilate the room in which the unit is placed.

Ignore this warning if your product's cooling system contains R134a.

Type of gas used in the product is stated in the type plate which is on the left wall inside the refrigerator.

Never throw the product in fire for disposal.

Things to be done for energy saving

- Do not leave the doors of your refrigerator open for a long time.
- Do not put hot food or drinks in your refrigerator.
- Do not overload your refrigerator so that the air circulation inside of it is not prevented.
- Do not install your refrigerator under direct sunlight or near heat emitting appliances such as ovens, dishwashers or radiators.
- Pay attention to keep your food in closed containers.
- For products with a freezer compartment; You can store maximum amount of food items in the freezer when you remove the shelf or drawer of the freezer. Energy consumption value stated for your refrigerator has been determined by removing freezer shelf or drawer and under maximum load. There is no harm to use a shelf or drawer according to the shapes and size of food to be frozen.
- Thawing frozen food in fridge compartment will both provide energy saving and preserve the food quality.

3 Installation

⚠ Please remember that the manufacturer shall not be held liable if the information given in the instruction manual is not observed.

Points to be considered when re-transporting your refrigerator

1. Your refrigerator must be emptied and cleaned prior to any transportation.
2. Shelves, accessories, crisper and etc. in your refrigerator must be fastened securely by adhesive tape against any jolt before repackaging.
3. Packaging must be tied with thick tapes and strong ropes and the rules of transportation printed on the package must be followed.

Please do not forget...

Every recycled material is an indispensable source for the nature and for our national resources.

If you wish to contribute to recycling the packaging materials, you can get further information from the environmental bodies or local authorities.

Before operating your refrigerator

Before starting to use your refrigerator check the following:

1. Is the interior of the refrigerator dry and can the air circulate freely in the rear of it?
2. Please install the 2 plastic wedges as illustrated in the figure. Plastic wedges will provide the required distance

between your refrigerator and the wall in order to allow the air circulation. (The illustrated figure is only an example and does not match exactly with your product.)

3. Clean the interior of the refrigerator as recommended in the "Maintenance and cleaning" section.
4. Plug the refrigerator into the wall outlet. When the fridge door is open, the fridge compartment interior light will come on.
5. You will hear a noise as the compressor starts up. The liquid and gases sealed within the refrigeration system may also give rise to noise, even if the compressor is not running and this is quite normal.
6. Front edges of the refrigerator may feel warm. This is normal. These areas are designed to be warm to avoid condensation

Electric connection

Connect your product to a grounded socket which is being protected by a fuse with the appropriate capacity.

Important:

- The connection must be in compliance with national regulations.
- The power cable plug must be easily accessible after installation.
- The specified voltage must be equal to your mains voltage.
- Extension cables and multiway plugs must not be used for connection.

⚠️ A damaged power cable must be replaced by a qualified electrician.

⚠️ Product must not be operated before it is repaired! There is danger of electric shock!

Disposing of the packaging

The packing materials may be dangerous for children. Keep the packing materials out of the reach of children or dispose of them by classifying them in accordance with the waste instructions. Do not dispose of them along with the normal household waste.

The packing of your refrigerator is produced from recyclable materials.

Disposing of your old refrigerator

Dispose of your old refrigerator without giving any harm to the environment.

- You may consult your authorised dealer or waste collection center of your municipality about the disposal of your refrigerator.

Before disposing of your refrigerator, cut out the electric plug and, if there are any locks on the door, make them inoperable in order to protect children against any danger.

Placing and Installation

⚠️ If the entrance door of the room where the refrigerator will be installed is not wide enough for the refrigerator to pass through, then call the authorised service to have them remove the doors of your refrigerator and pass it sideways through the door.

1. Install your refrigerator to a place that allows ease of use.
2. Keep your refrigerator away from heat sources, humid places and direct sunlight.
3. There must be appropriate air ventilation around your refrigerator in order to achieve an efficient operation. If the refrigerator is to be placed in a recess in the wall, there must be at least 5 cm distance with the ceiling and at least 5 cm with the wall. If the floor is covered with a carpet, your product must be elevated 2.5 cm from the floor.
4. Place your refrigerator on an even floor surface to prevent jolts.
5. Do not keep your refrigerator in ambient temperatures under 10°C.

Replacing the interior light bulb

Should the light fail to work switch off at the socket outlet and pull out the mains plug. Follow the below instructions to check if the light bulb has worked itself loose.

If the light still fails to work obtain a replacement E14 screw cap type 15 Watt (Max) bulb from your local electrical store and then fit it as follows:

1. Switch off at the socket outlet and pull out the mains plug. You may find it useful to remove shelves for easy access.

2. Remove the light diffuser cover as shown in figure (a-b).

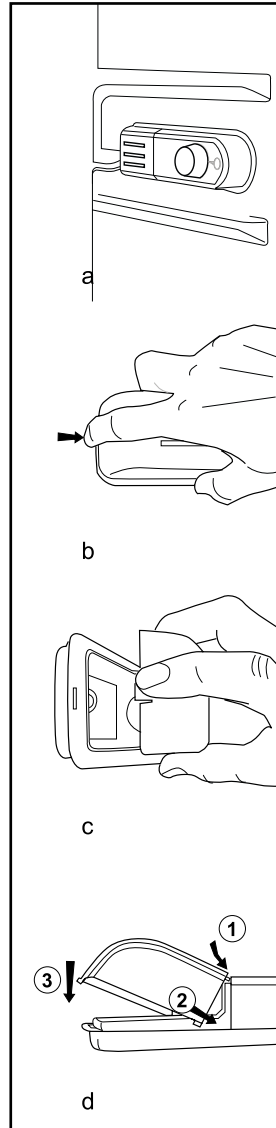
3. Replace the burnt-out light bulb.

4. Reassemble the light diffuser cover as shown in figure (c).

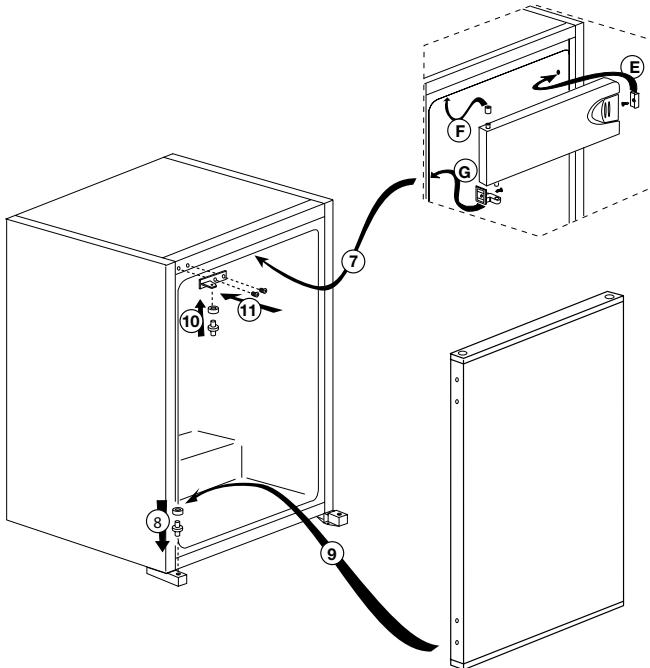
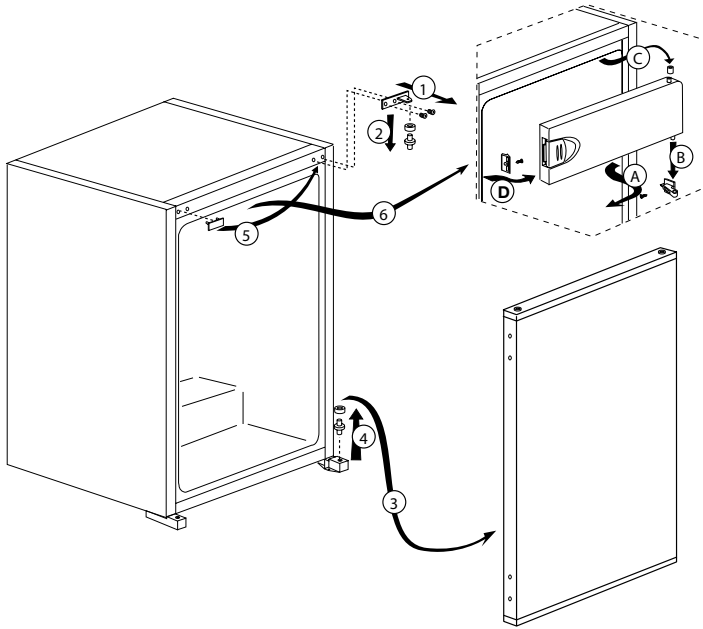
“Push firmly to ensure cover is fitted properly.”

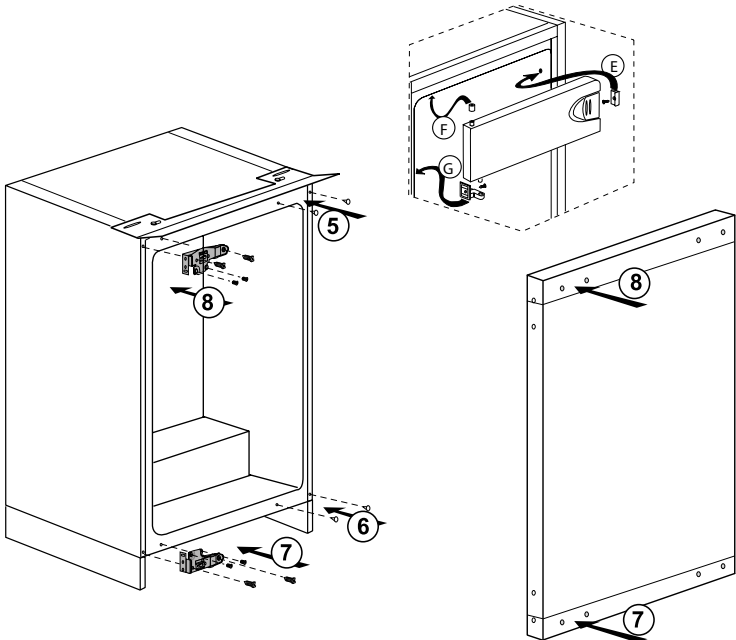
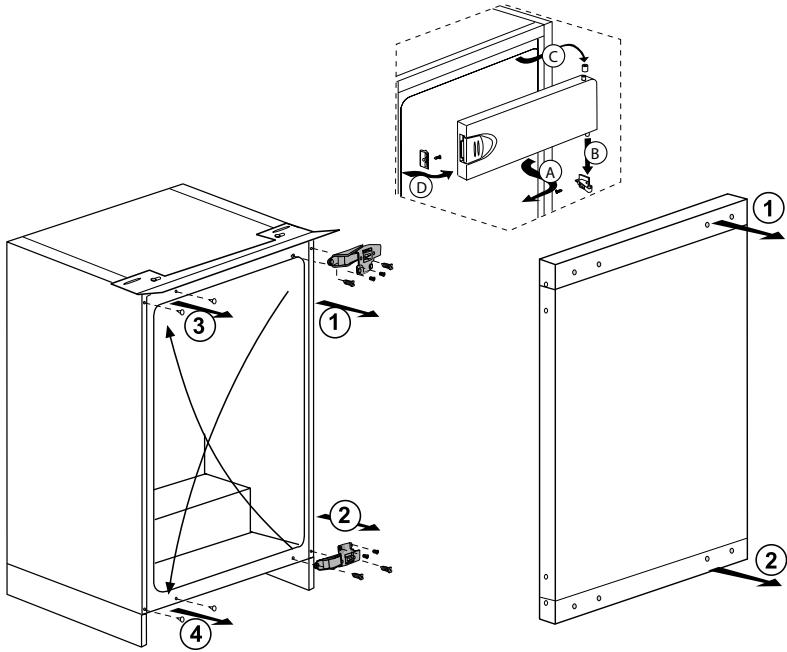
5. Carefully dispose of the burnt-out light bulb immediately.

“Replacement light bulb can easily be obtained from a good local electrical or DIY store.”



Reversing the doors





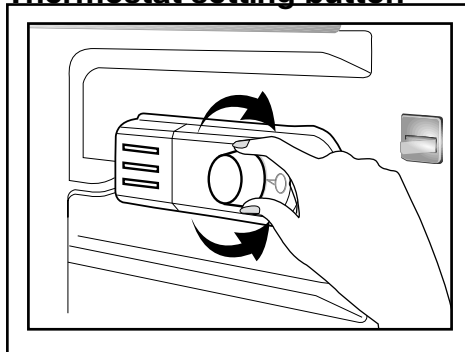
B 1752 F

4 Preparation

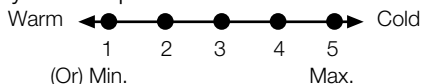
- i** Your refrigerator should be installed at least 30 cm away from heat sources such as hobs, ovens, central heater and stoves and at least 5 cm away from electrical ovens and should not be located under direct sunlight.
- i** The ambient temperature of the room where you install your refrigerator should at least be 10°C. Operating your refrigerator under cooler conditions than this is not recommended with regard to its efficiency.
- i** Please make sure that the interior of your refrigerator is cleaned thoroughly.
- i** If two refrigerators are to be installed side by side, there should be at least 2 cm distance between them.
- i** When you operate your refrigerator for the first time, please observe the following instructions during the initial six hours.
 - The door should not be opened frequently.
 - It must be operated empty without any food in it.
 - Do not unplug your refrigerator. If a power failure occurs out of your control, please see the warnings in the “Recommended solutions for the problems” section.
- i** Original packaging and foam materials should be kept for future transportations or moving.

5 Using your refrigerator

Thermostat setting button



The operating temperature is regulated by the temperature control.



**1 = Lowest cooling setting
(Warmest setting)**

**5 = Highest cooling setting
(Coldest setting)**

(Or)

**Min. = Lowest cooling setting
(Warmest setting)**

**Max. = Highest cooling setting
(Coldest setting)**

The average temperature inside the fridge should be around +5°C.

Please choose the setting according to the desired temperature.

Please note that there will be different temperatures in the cooling area.

The coldest region is immediately above the vegetable compartment.

The interior temperature also depends on ambient temperature, the frequency with which the door is opened and the amount of foods kept inside.

Frequently opening the door causes the interior temperature to rise.

For this reason, it is recommended

to close the door again as soon as possible after use.

The interior temperature of your refrigerator changes for the following reasons;

- Seasonal temperatures,
- Frequent opening of the door and leaving the door open for long periods,
- Food put into the refrigerator without cooling down to the room temperature,
- The location of the refrigerator in the room (e.g. exposing to sunlight).
- You may adjust the varying interior temperature due to such reasons by using the thermostat. Numbers around the thermostat button indicates the cooling degrees.
- If the ambient temperature is higher than 32°C, turn the thermostat button to maximum position.
- If the ambient temperature is lower than 25°C, turn the thermostat button to minimum position.


Cooling

Food storage

The fridge compartment is for the short-term storage of fresh food and drinks.

Freezing

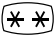
Freezing food

The freezing compartment is marked with  this symbol.

You can use the appliance for freezing fresh food as well as for storing pre-frozen food.

Please refer to the recommendations given on the packaging of your food.

Storing frozen food

The frozen food compartment is marked with  symbol.

The frozen food compartment is suitable for the storage of pre-frozen food. The recommendation for storage, as stated on the food packaging, should be observed at all times.

Defrost

A) Fridge compartment

Fridge compartment performs full-automatic defrosting. Water drops and a frosting up to 7-8 mm can occur on the inner rear wall of the fridge compartment while your refrigerator cools down. Such formation is normal as a result of the cooling system. The frost formation is defrosted by performing automatic defrosting with certain intervals thanks to the automatic defrosting system of the rear wall. User is not required to scrape the frost or remove the water drops.

Water resulting from the defrosting passes from the water collection groove and flows into the evaporator through the drain pipe and evaporates here by itself.

Check regularly to see if the drain pipe is clogged or not and clear it with the stick in the hole when necessary.

Deep freezer compartment does not perform automatic defrosting in order to prevent decaying of the frozen food.

B) Freezer compartment

Defrosting is very straightforward and without mess, thanks to a special defrost collection basin.

Defrost twice a year or when a frost layer of around 7 (1/4") mm has formed.

To start the defrosting procedure, switch off the appliance at the socket outlet and pull out the mains plug.

All food should be wrapped in several layers of newspaper and stored in a cool place (e.g. fridge or larder).

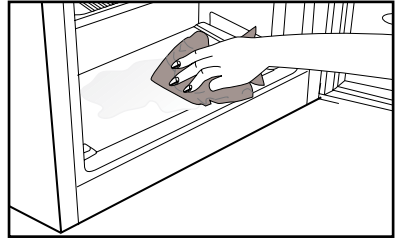
Containers of warm water may be placed carefully in the freezer to speed up the defrosting.

Do not use pointed or sharp-edged objects, such as knives or forks to remove the frost.

Never use hair dryers, electrical heaters or other such electrical appliances for defrosting.

Sponge out the defrost water collected in the bottom of the freezer compartment. After defrosting, dry the interior thoroughly.

Insert the plug into the wall socket and switch on the electricity supply.



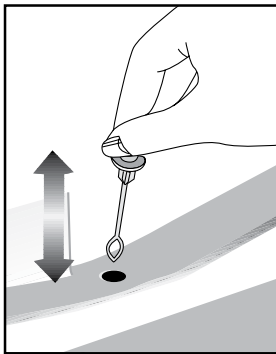
Stopping your product

If your thermostat is equipped with "0" position:

- Your product will stop operating when you turn the thermostat button to "0" (zero) position. Your product will not start unless to you turn the thermostat button to position "1" or one of the other positions again.

If your thermostat is equipped with "min" position:

- Unplug your product to stop it.



6 Maintenance and cleaning

- ⚠ Never use gasoline, benzene or similar substances for cleaning purposes.
- ⚠ We recommend that you unplug the appliance before cleaning.
- ⚠ Never use any sharp abrasive instrument, soap, household cleaner, detergent and wax polish for cleaning.
- ℹ Use lukewarm water to clean the cabinet of your refrigerator and wipe it dry.
- ℹ Use a damp cloth wrung out in a solution of one teaspoon of bicarbonate of soda to one pint of water to clean the interior and wipe it dry.
- ⚠ Make sure that no water enters the lamp housing and other electrical items.
- ⚠ If your refrigerator is not going to be used for a long period of time, unplug the power cable, remove all food, clean it and leave the door ajar.
- ℹ Check door seals regularly to ensure they are clean and free from food particles.
- ⚠ To remove door racks, remove all the contents and then simply push the door rack upwards from the base.

Protection of plastic surfaces

- ℹ Do not put the liquid oils or oil-cooked meals in your refrigerator in unsealed containers as they damage the plastic surfaces of your refrigerator. In case of spilling or smearing oil on the plastic surfaces, clean and rinse the relevant part of the surface at once with warm water.

7 Recommended solutions for the problems

Please review this list before calling the service. It might save you time and money. This list includes frequent complaints that are not arising from defective workmanship or material usage. Some of the features described here may not exist in your product.

The refrigerator does not operate.

- Is the refrigerator properly plugged in? Insert the plug to the wall socket.
- Is the fuse of the socket which your refrigerator is connected to or the main fuse blown out? Check the fuse.

Condensation on the side wall of the fridge compartment (MULTIZONE, COOL CONTROL and FLEXI ZONE).

- Very cold ambient conditions. Frequent opening and closing of the door. Highly humid ambient conditions. Storage of food containing liquid in open containers. Leaving the door ajar. Switching the thermostat to a colder degree.
- Decreasing the time the door left open or using it less frequently.
- Covering the food stored in open containers with a suitable material.
- Wipe the condensation using a dry cloth and check if it persists.

Compressor is not running

- Protective thermic of the compressor will blow out during sudden power failures or plug-out plug-ins as the refrigerant pressure in the cooling system of the refrigerator has not been balanced yet. Your refrigerator will start running approximately after 6 minutes. Please call the service if the refrigerator does not startup at the end of this period.
- The fridge is in defrost cycle. This is normal for a full-automatically defrosting refrigerator. Defrosting cycle occurs periodically.
- Your refrigerator is not plugged into the socket. Make sure that the plug is properly fit into the socket.
- Are the temperature adjustments correctly made?
- Power might be cut off.

The fridge is running frequently or for a long time.

- Your new product may be wider than the previous one. This is quite normal. Large refrigerators operate for a longer period of time.
- The ambient room temperature may be high. This is quite normal.
- The refrigerator might have been plugged in recently or might have been loaded with food. Cooling down of the refrigerator completely may last for a couple of hours longer.
- Large amounts of hot food might have been put in the refrigerator recently. Hot food causes longer running of the refrigerator until they reach the safe storage temperature.
- Doors might have been opened frequently or left ajar for a long time. The warm air that has entered into the refrigerator causes the refrigerator to run for longer periods. Open the doors less frequently.
- Freezer or fridge compartment door might have been left ajar. Check if the doors are tightly closed.
- The refrigerator is adjusted to a very low temperature. Adjust the refrigerator temperature to a warmer degree and wait until the temperature is achieved.
- Door seal of the fridge or freezer may be soiled, worn out, broken or not properly seated. Clean or replace the seal. Damaged/broken seal causes the refrigerator to run for a longer period of time in order to maintain the current temperature.

Freezer temperature is very low while the fridge temperature is sufficient.

- The freezer temperature is adjusted to a very low temperature. Adjust the freezer temperature to a warmer degree and check.

Fridge temperature is very low while the freezer temperature is sufficient.

- The fridge temperature might have been adjusted to a very low temperature. Adjust the fridge temperature to a warmer degree and check.

Food kept in the fridge compartment drawers are freezing.

- The fridge temperature might have been adjusted to a very low temperature. Adjust the fridge temperature to a warmer degree and check.

Temperature in the fridge or freezer is very high.

- The fridge temperature might have been adjusted to a very high degree. Fridge adjustment has an effect on the temperature of the freezer. Change the temperature of the fridge or freezer until the fridge or freezer temperature reaches to a sufficient level.
- Doors might have been opened frequently or left ajar for a long time; open them less frequently.
- Door might have been left ajar; close the door completely.
- Large amount of hot food might have been put in the refrigerator recently. Wait until the fridge or freezer reaches the desired temperature.
- The refrigerator might have been plugged in recently. Cooling down of the refrigerator completely takes time.

The operation noise increases when the refrigerator is running.

- The operating performance of the refrigerator may change due to the changes in the ambient temperature. It is normal and not a fault.

Vibrations or noise.

- The floor is not even or it is weak. The refrigerator rocks when moved slowly. Make sure that the floor is strong enough to carry the refrigerator, and level.
- The noise may be caused by the items put onto the refrigerator. Items on top of the refrigerator should be removed.

There are noises coming from the refrigerator like liquid spilling or spraying.

- Liquid and gas flows happen in accordance with the operating principles of your refrigerator. It is normal and not a fault.

There is a noise like wind blowing.

- Fans are used in order to cool the refrigerator. It is normal and not a fault.

Condensation on the inner walls of refrigerator.

- Hot and humid weather increases icing and condensation. It is normal and not a fault.
- Doors might have been left ajar; make sure that the doors are closed fully.
- Doors might have been opened frequently or left ajar for a long time; open them less frequently.

Humidity occurs on the outside of the refrigerator or between the doors.

- There might be humidity in the air; this is quite normal in humid weather. When the humidity is less, condensation will disappear.

Bad odour inside the refrigerator.

- Inside of the refrigerator must be cleaned. Clean the inside of the refrigerator with a sponge, lukewarm water or carbonated water.
- Some containers or package materials might cause the smell. Use a different container or different brand packaging material.

The door is not closing.

- Food packages may prevent the door's closing. Replace the packages that are obstructing the door.
- The refrigerator is not completely upright on the floor and rocking when slightly moved. Adjust the elevation screws.
- The floor is not level or strong. Make sure that the floor is level and capable to carry the refrigerator.

Crispers are stuck.

- The food might be touching the ceiling of the drawer. Rearrange food in the drawer.

Bitte lesen Sie zuerst diese Anleitung!

Lieber Kunde,

Wir sind sicher, dass Ihnen dieses Produkt, das in modernsten Fertigungsstätten hergestellt und den strengsten Qualitätsprüfungen unterzogen wurde, lange Zeit gute Dienste leisten wird.




Wir empfehlen Ihnen, vor Inbetriebnahme des Gerätes das gesamte Handbuch durchzulesen und es anschließend aufzubewahren.

Diese Anleitung...

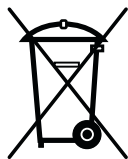
- hilft Ihnen, Ihr Gerät schnell und sicher zu bedienen.
- Lesen Sie die Anleitung, bevor Sie Ihr Gerät aufstellen und bedienen.
- Halten Sie sich an die Anweisungen, beachten Sie insbesondere die Sicherheitshinweise.
- Bewahren Sie die Anleitung an einem leicht zugänglichen Ort auf, damit Sie jederzeit darin nachschlagen können.
- Lesen Sie auch die weiteren Dokumente, die mit Ihrem Produkt geliefert wurden. Bitte beachten Sie, dass diese Anleitung eventuell auch für andere Geräte eingesetzt werden kann.

Symbole und ihre Bedeutung

In dieser Anleitung finden Sie die folgenden Symbole:

-  Wichtige Informationen oder nützliche Tipps.
-  Warnung vor Verletzungen oder Sachschäden.
-  Warnung vor elektrischem Strom.

Recycling



Dieses Produkt ist mit dem selektiven Entsorgungssymbol für elektrische und elektronische Altgeräte (WEEE) gekennzeichnet.

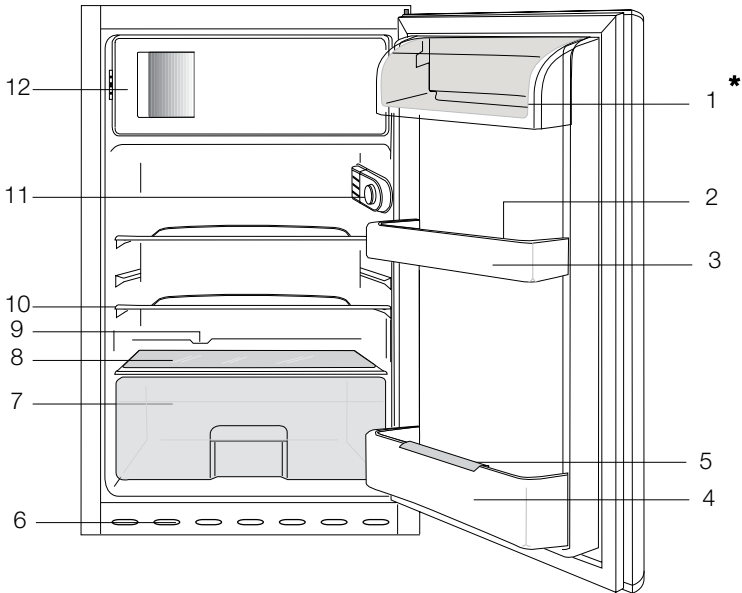
Das bedeutet, dass dieses Produkt gemäß der europäischen Richtlinie 2002/96/EC gehandhabt werden muss, um mit nur minimalen umweltspezifischen Auswirkungen recycelt oder zerlegt werden zu können. Weitere Informationen erhalten Sie von Ihren regionalen Behörden.

Elektronikprodukte, die nicht durch den selektiven Entsorgungsvorgang erfasst werden, stellen durch das Vorhandensein potenziell gefährlicher Substanzen umwelt- und gesundheitsrelevante Risiken dar.


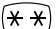
INHALT

1 Ihr Kühlschrank	3	4 Vorbereitung	13
2 Wichtige Hinweise zu Ihrer Sicherheit	4	5 Nutzung des Kühlschranks	14
Bestimmungsgemäßer Gebrauch	4	Thermostateinstelltaste	14
Bei Geräten mit Wasserspender:	6	Kühlen	14
Kinder – Sicherheit	7	Gefrieren	15
HCA-Warnung	7	Abtauen	15
Tipps zum Energiesparen	7	Gerät stoppen	16
3 Installation	8	6 Wartung und Reinigung	17
Was Sie bei einem weiteren Transport Ihres Kühlschranks beachten müssen	8	Schutz der Kunststoffflächen	17
Bevor Sie Ihren Kühlschrank einschalten	8	7 Empfehlungen zur Problemlösung	18
Verpackungsmaterialien entsorgen	9		
Altgeräte entsorgen	9		
Aufstellung und Installation	9		
Austausch der Innenbeleuchtung	10		
Türanschlag umkehren	11		

1 Ihr Kühlschrank



1. Bereich für Milchprodukte
2. Eierbehälter (1 pcs.)
3. Türablagen
4. Flaschenablage
5. Flaschenhalter
6. Lüftungsgitter
7. Gemüsefach
8. Gemüsefachabdeckung
9. Tauwassersammelkanal - Abflusskanal

10. Bewegliche Ablagen
11. Innenbeleuchtung und Thermostatknopf
12. a) Tiefkühlfach und Eisschale ( Modelle b)
Gefrierfach und Eisschale ( Modelle)

*** optional**

i Abbildungen und Angaben in dieser Anleitung sind schematisch und können etwas von Ihrem Produkt abweichen. Falls Teile nicht zum Lieferumfang des erworbenen Gerätes zählen, gelten sie für andere Modelle.

2 Wichtige Hinweise zu Ihrer Sicherheit

Bitte lesen Sie die folgenden Hinweise aufmerksam durch. Bei Nichtbeachtung kann es zu Verletzungen und Sachschäden kommen. In diesem Fall erlöschen auch sämtliche Garantie- und sonstigen Ansprüche.

Die reguläre Einsatzzeit des von Ihnen erworbenen Gerätes beträgt 10 Jahre. In diesem Zeitraum halten wir Ersatzteile für das Gerät bereit, damit es stets wie gewohnt arbeiten kann.

Bestimmungsgemäßer Gebrauch

Dieses Produkt ist für folgende Einsatzzwecke vorgesehen:

- Nutzung in Innenräumen; beispielsweise im Privathaushalt
- Einsatz in Geschäftsräumen; beispielsweise in Geschäften und Büros
- Verwendung auf Bauernhöfen oder in Beherbergungsbetrieben; beispielsweise in Hotels und Pensionen
 - Das Gerät sollte nicht im Freien benutzt werden.

Allgemeine Hinweise zu Ihrer Sicherheit

- Wenn Sie das Gerät entsorgen möchten, wenden Sie sich am besten an den autorisierten Kundendienst. Hier erhalten Sie notwendige Informationen und erfahren, welche Stellen für die Entsorgung zuständig sind.
- Bei Problemen und Fragen zum Gerät wenden Sie sich grundsätzlich an den

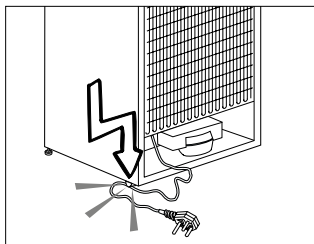
autorisierten Kundendienst. Ziehen Sie keine Dritten zu Rate, versuchen Sie nichts in Eigenregie, ohne den autorisierten Kundendienst davon in Kenntnis zu setzen.

- Bei Geräten mit Tiefkühlbereich: Der Verzehr von Speiseeis und Eiswürfeln unmittelbar nach der Entnahme aus dem Tiefkühlbereich ist nicht ratsam. (Dies kann zu Erfrierungen führen.)
- Bei Geräten mit Tiefkühlbereich: Bewahren Sie Getränke in Flaschen sowie Dosen niemals in Tiefkühlbereich auf. Diese platzen.
- Berühren Sie gefrorene Lebensmittel nicht mit der Hand; sie können festfrieren.
- Ziehen Sie den Netzstecker, bevor Sie den Kühlschrank reinigen oder abtauen.
- Verwenden Sie niemals Dampf- oder Sprühreiniger zum Reinigen oder Abtauen Ihres Kühlschranks. Die Dämpfe oder Nebel können in Kontakt mit stromführenden Teilen geraten und Kurzschlüsse oder Stromschläge auslösen.
- Missbrauchen Sie niemals Teile Ihres Kühlschranks (z. B. Tür) als Befestigungen oder Kletterhilfen.
- Nutzen Sie keine elektrischen Geräte innerhalb des Kühlschranks.
- Achten Sie darauf, den Kühlkreislauf keinesfalls mit Bohr- oder Schneidwerkzeugen zu beschädigen. Das Kühlmittel kann herausspritzen, wenn die Gaskanäle des Verdunstlers, Rohr- und Schlauchleitungen oder Oberflächenversiegelungen beschädigt werden. Dies

- kann zu Hautreizungen und Augenverletzungen führen.
- Decken Sie keinerlei Belüftungsöffnungen des Kühlschranks ab.
 - Elektrogeräte dürfen nur von autorisierten Fachkräften repariert werden. Reparaturen durch weniger kompetente Personen können erhebliche Gefährdungen des Anwenders verursachen.
 - Sollten Fehler oder Probleme während der Wartung oder Reparaturarbeiten auftreten, so trennen Sie den Kühlschrank von der Stromversorgung, indem Sie die entsprechende Sicherung abschalten oder den Netzstecker ziehen.
 - Ziehen Sie niemals am Netzkabel – fassen Sie stets den Stecker selbst.
 - Lagern Sie hochprozentige alkoholische Getränke gut verschlossen und aufrecht.
 - Lagern Sie niemals Behälter mit brennbaren Gasen (z. B. Spraydosen) oder explosive Dinge im Kühlschrank.
 - Nutzen Sie keine mechanischen oder andere Hilfsmittel, um das Gerät abzutauen – es sei denn, solche Hilfsmittel werden ausdrücklich vom Hersteller empfohlen.
 - Dieses Gerät darf nicht von Personen (einschließlich Kindern) benutzt werden, die unter körperlichen oder geistigen Einschränkungen leiden oder denen es an der nötigen Erfahrung im Umgang mit solchen Geräten mangelt. Eine Ausnahme kann gemacht werden, wenn solche Personen ständig beaufsichtigt werden und/oder gründlich in der Verwendung des Gerätes unterwiesen wurden.
 - Nehmen Sie einen beschädigten Kühlschrank nicht in Betrieb. Wenden Sie sich im Zweifelsfall unbedingt zuerst an den Kundendienst.
 - Die elektrische Sicherheit des Gerätes ist nur dann gewährleistet, wenn das hausinterne Erdungssystem den zutreffenden Normen entspricht.
 - Setzen Sie das Gerät keinem Regen, Schnee, direktem Sonnenlicht oder Wind aus, da dies die elektrische Sicherheit gefährden kann.
 - Damit es nicht zu Gefährdungen kommt, lassen Sie beschädigte Netzkabel unverzüglich vom Kundendienst austauschen.
 - Stecken Sie während der Installation niemals den Netzstecker ein. Andernfalls kann es zu schweren bis tödlichen Verletzungen kommen.
 - Der Kühlschrank darf nur zum Lagern von Lebensmitteln, keinesfalls für andere Zwecke verwendet werden.
 - Das Typenschild mit technischen Daten befindet sich an der linken Innenwand des Kühlschranks.
 - Schließen Sie den Kühlschrank niemals an Energiesparsysteme an; andernfalls kann es zu Beschädigungen kommen.
 - Bei Geräten mit blauer Innenbeleuchtung: Schauen Sie niemals mit optischen Hilfsmitteln in das blaue Licht.
 - Bei manuell gesteuerten Kühlschränken warten Sie nach Stromausfällen mindestens 5 Minuten ab, bevor Sie das Gerät neu starten.
 - Falls Sie das Gerät an einen anderen Besitzer weitergeben, vergessen Sie nicht, die Bedienungsanleitung

ebenfalls weiterzugeben.

- Achten Sie beim Transportieren des Kühlschranks darauf, dass das Netzkabel nicht beschädigt wird. Geknickte Kabel können sich entzünden. Stellen Sie niemals schwere Gegenstände auf dem Netzkabel ab. Berühren Sie den Netzstecker niemals mit feuchten oder gar nassen Händen.



- Stecken Sie den Netzstecker niemals in lose Steckdosen ein.
- Sprühen Sie aus Sicherheitsgründen niemals direkt Wasser auf die Innen- und Außenflächen des Gerätes.
- Nutzen Sie niemals leicht entzündliche Substanzen (z. B. Propangas) in der Nähe des Kühlschranks; es besteht Brand- und Explosionsgefahr.
- Stellen Sie niemals mit Wasser oder anderen Flüssigkeiten gefüllte Gefäße auf dem Kühlschrank ab; es besteht Brand- und Stromschlaggefahr.
- Überladen Sie den Kühlschrank nicht mit übermäßig vielen Lebensmitteln. Bei Überladung können Lebensmittel beim Öffnen der Tür herausfallen, Sachschäden und Verletzungen verursachen. Stellen Sie niemals Gegenstände auf dem Kühlschrank ab; solche Gegenstände können beim Öffnen und Schließen der Kühlschranktür herabfallen.
- Materialien, die bei exakt festgelegten

Temperaturen gelagert werden müssen (beispielsweise Impfstoffe, wärmeempfindliche Arznei, wissenschaftliche Proben, usw.) sollten nicht im Kühlschrank gelagert werden.

- Ziehen Sie den Netzstecker, wenn Sie den Kühlschrank längere Zeit nicht nutzen. Andernfalls können Brände durch defekte Netzkabel nicht gänzlich ausgeschlossen werden.
- Die Kontakte des Netzsteckers sollten regelmäßig gereinigt werden; andernfalls besteht Brandgefahr.
- Die Steckerkontakte sollten regelmäßig gereinigt werden; andernfalls besteht Brandgefahr.
- Der Kühlschrank kann sich bewegen, falls die Füße nicht richtig auf dem Boden aufliegen. Stellen Sie die verstellbaren Füße so ein, dass der Kühlschrank absolut stabil steht und sich somit nicht bewegen kann.
- Tragen Sie den Kühlschrank nicht am Türgriff; der Griff kann abbrechen.
- Wenn Sie das Gerät neben einem anderen Kühlgerät aufstellen, achten Sie darauf, dass zwischen den Geräten mindestens 8 cm Platz verbleiben. Andernfalls kann sich Feuchtigkeit an den Seitenwänden niederschlagen.

Bei Geräten mit Wasserspender:

Der Wasserdruck sollte zwischen 1 und 8 bar liegen.

- Nur Trinkwasser verwenden.

Kinder – Sicherheit

- Bei abschließbaren Türen bewahren Sie den Schlüssel außerhalb der Reichweite von Kindern auf.
- Kinder müssen stets beaufsichtigt werden, damit sie nicht mit dem Gerät spielen.

HCA-Warnung

Falls Ihr Gerät mit dem Kühlmittel R600a arbeitet:

Dieses Gas ist leicht entflammbar. Achten Sie also darauf, Kühlkreislauf und Leitungen während Betrieb und Transport nicht zu beschädigen. Bei Beschädigungen halten Sie das Produkt von potenziellen Zündquellen (z. B. offenen Flammen) fern und sorgen für eine gute Belüftung des Raumes, in dem das Gerät aufgestellt wurde.

Diese Warnung können Sie ignorieren, wenn Ihr Gerät mit dem Kühlmittel R134a arbeitet.

Das verwendete Kühlmittel wird auf dem Typenschild an der linken Innenseite des Kühlschranks angegeben.

Entsorgen Sie das Gerät niemals durch Verbrennen.

Tipps zum Energiesparen

- Halten Sie die Kühlschranktüren nur möglichst kurz geöffnet.
- Lagern Sie keine warmen Speisen oder Getränke im Kühlschrank ein.
- Überladen Sie den Kühlschrank nicht; die Luft muss frei zirkulieren können.
- Stellen Sie den Kühlschrank nicht im direkten Sonnenlicht oder in der Nähe von Wärmequellen wie Öfen, Spülmaschinen oder Heizkörpern auf.
- Achten Sie darauf, Ihre Lebensmittel in verschlossenen Behältern aufzubewahren.
- Bei Geräten mit Tiefkühlbereich: Sie können noch mehr Lebensmittel einlagern, wenn Sie die Ablagen oder Schubladen aus dem Tiefkühlbereich herausnehmen. Die Energieverbrauchswerte Ihres Kühlschranks wurden bei maximaler Beladung mit herausgenommenen Ablagen oder Schubladen ermittelt. Ansonsten ist es Ihnen natürlich freigestellt, die Ablagen oder Schubladen zu verwenden.
- Wenn Sie gefrorene Lebensmittel im Kühlbereich auftauen, sparen Sie Energie und bewahren die Qualität der Lebensmittel.

3 Installation

⚠ Bitte beachten Sie, dass der Hersteller nicht haftet, wenn Sie sich nicht an die Informationen und Anweisungen der Bedienungsanleitung halten.

Was Sie bei einem weiteren Transport Ihres Kühlschranks beachten müssen

1. Der Kühlschrank muss vor dem Transport geleert und gesäubert werden.
2. Befestigen und sichern Sie Ablagen, Zubehör, Gemüsefach etc. mit Klebeband, bevor Sie das Gerät neu verpacken.
3. Die Verpackung muss mit kräftigem Klebeband und stabilen Seilen gesichert, die auf der Verpackung aufgedruckten Transporthinweise müssen beachtet werden.

Vergessen Sie nicht...

Jeder wiederverwendete Artikel stellt eine unverzichtbare Hilfe für unsere Natur und unsere Ressourcen dar.

Wenn Sie zur Wiederverwertung von Verpackungsmaterialien beitragen möchten, können Sie sich bei Umweltschutzvereinigungen und Ihren Behörden vor Ort informieren.

Bevor Sie Ihren Kühlschrank einschalten

Bevor Sie Ihren Kühlschrank in Betrieb nehmen, beachten Sie bitte Folgendes:

1. Ist der Innenraum des Kühlschranks trocken, kann die Luft frei an der Rückseite zirkulieren?

2. Bitte bringen Sie die beiden Kunststoffkeile wie in der Abbildung gezeigt an. Die Kunststoffkeile sorgen für den richtigen Abstand zwischen Kühlschrank und Wand – und damit für die richtige Luftzirkulation. (Die Abbildung dient lediglich zur Orientierung und muss nicht exakt mit Ihrem Gerät übereinstimmen.)
3. Reinigen Sie das Innere des Kühlschranks wie im Abschnitt „Wartung und Reinigung“ beschrieben.
4. Stecken Sie den Netzstecker des Kühlschranks in eine Steckdose. Wenn die Kühlbereichstür geöffnet wird, schaltet sich das Licht im Inneren ein.
5. Sie hören ein Geräusch, wenn sich der Kompressor einschaltet. Die Flüssigkeiten und Gase im Kühlsystem können auch leichte Geräusche erzeugen, wenn der Kompressor nicht läuft. Dies ist völlig normal.
6. Die Vorderkanten des Kühlgerätes können sich warm anfühlen. Dies ist normal. Diese Bereiche wärmen sich etwas auf, damit sich kein Kondenswasser bildet.

Elektrischer Anschluss

Schließen Sie das Gerät an eine geerdete (Schuko-) Steckdose an. Diese Steckdose muss mit einer passenden Sicherung abgesichert werden.

Wichtig:

- Der Anschluss muss gemäß lokaler Vorschriften erfolgen.
- Der Netzstecker muss nach der Installation frei zugänglich bleiben.
- Die angegebene Spannung muss mit Ihrer Netzspannung übereinstimmen.
- Zum Anschluss dürfen keine Verlängerungskabel oder Mehrfachsteckdosen verwendet werden.

⚠ Ein beschädigtes Netzkabel muss unverzüglich durch einen qualifizierten Elektriker ausgetauscht werden.

⚠ Das Gerät darf vor Abschluss der Reparaturen nicht mehr betrieben werden! Es besteht Stromschlaggefahr!

Verpackungsmaterialien entsorgen

Das Verpackungsmaterial kann eine Gefahr für Kinder darstellen. Halten Sie Verpackungsmaterialien von Kindern fern oder entsorgen Sie das Verpackungsmaterial gemäß den gültigen Entsorgungsbestimmungen. Entsorgen Sie Verpackungsmaterialien nicht mit dem regulären Hausmüll.

Die Verpackung Ihres Gerätes wurde aus recyclingfähigen Materialien hergestellt.

Altgeräte entsorgen

Entsorgen Sie Altgeräte auf umweltfreundliche Weise.

- Bei Fragen zur richtigen Entsorgung wenden Sie sich bitte an Ihren Händler, an eine Sammelstelle oder an Ihre Stadtverwaltung.

Bevor Sie das Gerät entsorgen, schneiden Sie den Netzstecker ab und machen die Türverschlüsse (sofern

vorhanden) unbrauchbar, damit Kinder nicht in Gefahr gebracht werden.

Aufstellung und Installation

⚠ Falls die Tür des Raumes, in dem der Kühlschrank aufgestellt werden soll, nicht breit genug ist, wenden Sie sich an den autorisierten Kundendienst, lassen die Kühlschranktüren demontieren und befördern das Gerät seitlich durch die Tür.

1. Stellen Sie Ihren Kühlschrank an einer gut erreichbaren Stelle auf.

2. Platzieren Sie den Kühlschrank nicht in der Nähe von Wärmequellen oder dort, wo er Feuchtigkeit oder direktem Sonnenlicht ausgesetzt ist.

3. Damit das Gerät richtig arbeiten kann, müssen Sie ausreichend Platz um das Gerät herum freilassen, damit eine ordentliche Belüftung gewährleistet ist. Wenn Sie den Kühlschrank in einer Nische aufstellen, müssen Sie einen Abstand von mindestens 5 cm zur Decke und 5 cm zu den Wänden einhalten. **Wenn Sie das Gerät auf einem Teppich oder Teppichboden aufstellen, müssen Sie einen Abstand von mindestens 2,5 cm zum Boden einhalten.**

4. Stellen Sie Ihren Kühlschrank auf einem ebenen Untergrund auf, damit er nicht wackelt.

5. Stellen Sie den Kühlschrank nicht an Stellen auf, an denen Temperaturen von weniger als 10 °C herrschen.

Austausch der Innenbeleuchtung

Sollte das Licht nicht aufleuchten, schalten Sie die Stromzufuhr an der Steckdose ab und ziehen den Netzstecker. Prüfen Sie auf nachstehende Weise, ob sich das Leuchtmittel gelockert hat.

Falls die Beleuchtung nach wie vor nicht funktionieren sollte, beschaffen Sie ein neues 15-Watt-Leuchtmittel (maximal 15 Watt) mit E14-Fassung und installieren dieses wie folgt:

1. Schalten Sie die Stromversorgung an der Steckdose ab, ziehen Sie den Stecker. Zur besseren Erreichbarkeit der Lampe, können Sie einige Ablagen entfernen.

2. Entfernen Sie die Abdeckung, wie in Abb. (a-b) gezeigt.

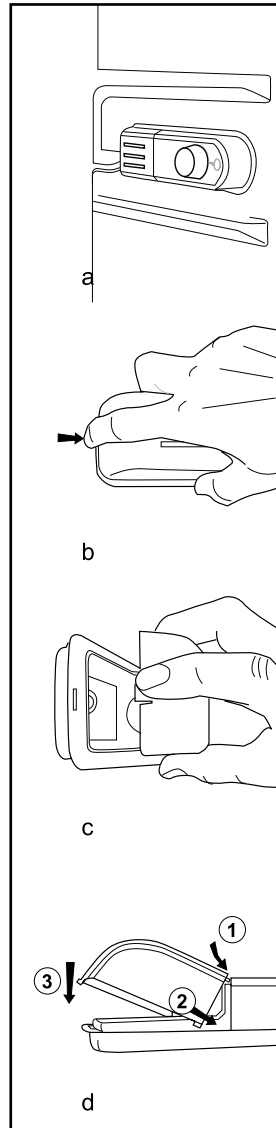
3. Ersetzen Sie die durchgebrannte Birne.

4. Setzen Sie die Abdeckung, wie in Abb. (c) gezeigt wieder auf.

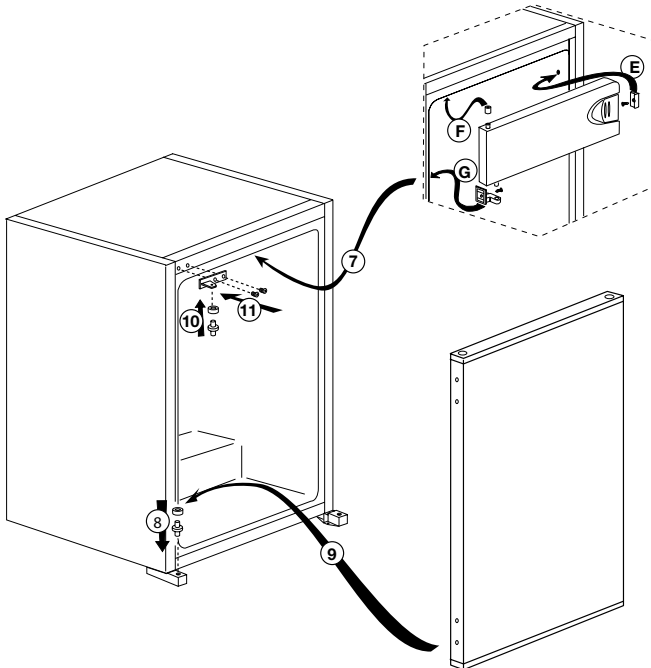
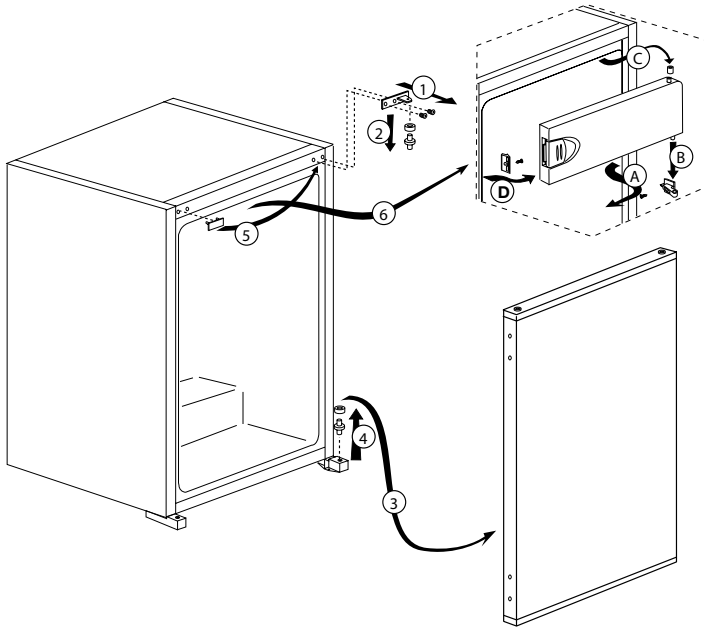
"Drücken Sie fest, um sicherzustellen, dass die Abdeckung richtig sitzt."

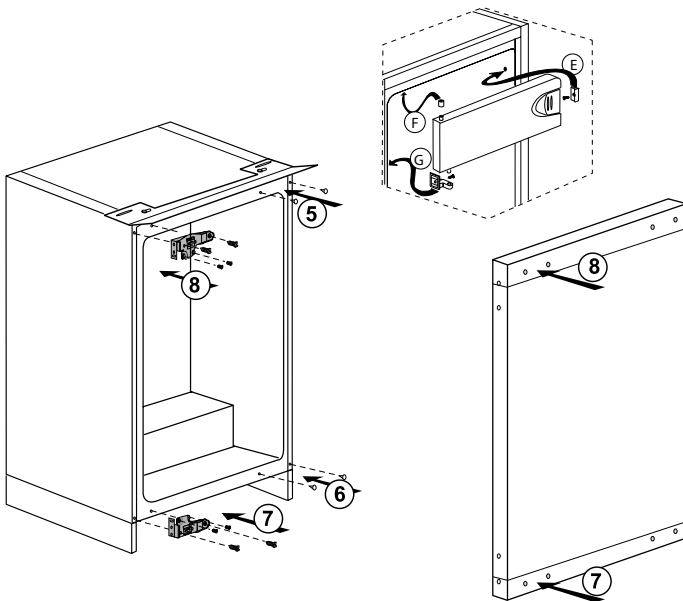
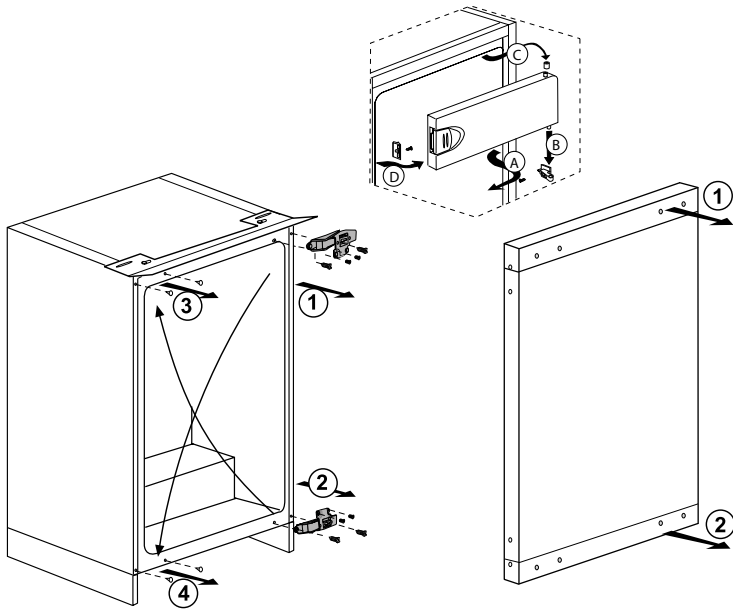
5. Entsorgen Sie die kaputte Lampe sofort.

Ersatzlampen erhalten Sie in jedem guten Elektrowarengeschäft.



Türanschlag umkehren





B 1752 F

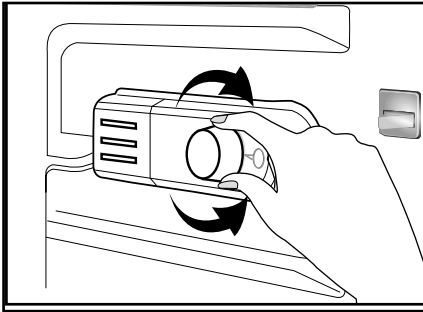
5

4 Vorbereitung

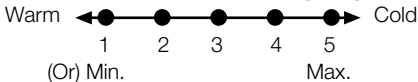
- i** Ihr Kühlschrank sollte mindestens 30 cm von Hitzequellen wie Kochstellen, Öfen, Heizungen, Herden und ähnlichen Einrichtungen aufgestellt werden. Halten Sie mindestens 5 cm Abstand zu Elektroöfen ein, vermeiden Sie die Aufstellung im direkten Sonnenlicht.
- i** Die Zimmertemperatur des Raumes, in dem der Kühlschrank aufgestellt wird, sollte mindestens 10 °C betragen. Im Hinblick auf den Wirkungsgrad ist der Betrieb des Kühlschranks bei geringerer Umgebungstemperatur nicht ratsam.
- i** Sorgen Sie dafür, dass das Innere Ihres Kühlschranks gründlich gereinigt wird.
- i** Falls zwei Kühlschränke nebeneinander aufgestellt werden sollen, achten Sie darauf, dass sie mindestens 2 cm voneinander entfernt platziert werden.
- i** Wenn Sie den Kühlschrank zum ersten Mal in Betrieb nehmen, halten Sie sich bitte an die folgenden Anweisungen für die ersten sechs Betriebsstunden.
 - Die Kühlschranktür sollte nicht zu häufig geöffnet werden.
 - Der Kühlschrank muss zunächst vollständig leer arbeiten.
 - Ziehen Sie nicht den Netzstecker. Falls der Strom ausfallen sollte, beachten Sie die Warnhinweise im Abschnitt „Empfehlungen zur Problemlösung“.
- i** Originalverpackung und Schaumstoffmaterialien sollten zum zukünftigen Transport des Gerätes aufbewahrt werden.

5 Nutzung des Kühlschranks

Thermostateinstelltaste



Die Betriebstemperatur wird über die Temperatursteuerung reguliert.



1 = Schwächste Kühlung (wärmste Einstellung)

5 = Stärkste Kühlung (kälteste Einstellung)

(Oder)

Min. = Schwächste Kühlung

(wärmste Einstellung)

Max. = Stärkste Kühlung

(kälteste Einstellung)

Die Durchschnittstemperatur im Inneren des Kühlschranks sollte bei etwa +5 °C liegen.

Bitte wählen Sie die der gewünschten Temperatur entsprechende Einstellung.

Bitte beachten Sie, dass im Kühlbereich unterschiedliche Temperaturen herrschen.

Der kälteste Bereich befindet sich unmittelbar über dem Gemüsefach.

Die Innentemperatur hängt auch von der Umgebungstemperatur ab, außerdem davon, wie oft die Tür geöffnet wird und wie viel Lebensmittel im Inneren gelagert werden.

Beim häufigen Öffnen der Tür steigt die Innentemperatur an.

Aus diesem Grund empfehlen wir, die Tür möglichst schnell wieder zu schließen.

Die Innentemperatur Ihres Kühlschranks hängt teilweise von folgenden Einflüssen ab:

- Umgebungstemperatur
- Häufigkeit der Türöffnungen, Offenstehen der Tür über längere Zeit
- Einlagern von Lebensmitteln, ohne diese zuvor auf Raumtemperatur abkühlen zu lassen
- Platzierung des Kühlschranks innerhalb des Raumes (z. B. im direkten Sonnenlicht).
- Zum Anpassen der Innentemperatur an solche Einflüsse benutzen Sie das Thermostat. Die Zahlen rund um die Thermostateinstelltaste zeigen die Kühlungsleistung an.
- Falls die Umgebungstemperatur mehr als 32 °C beträgt, wählen Sie die höchstmögliche Thermostateinstellung.
- Sofern die Umgebungstemperatur weniger als 25 °C beträgt, wählen Sie die geringste Thermostateinstellung.


Kühlen

Lagern von Lebensmitteln

Der Kühlbereich ist für die kurzfristige Lagerung von frischen Lebensmitteln und Getränken vorgesehen.

Gefrieren


Einfrieren von Lebensmitteln

Der Gefrierbereich ist mit dem Symbol  gekennzeichnet.

In Ihrem Gerät können Sie frische Nahrungsmittel einfrieren und auch bereits gefrorene Lebensmittel lagern.

Bitte beachten Sie dazu die Empfehlungen auf der Verpackung der Lebensmittel.

Lagerung von Tiefkühlkost

Der Tiefkühlbereich ist mit dem Symbol  gekennzeichnet.

Im Tiefkühlbereich können Sie vorgefrorene Lebensmittel lagern. Die Lagerungsempfehlungen auf der Lebensmittelverpackung sollten immer eingehalten werden.

Abtauen

A) Kühlbereich

Der Kühlbereich taut vollautomatisch ab. Im Betrieb können sich Wassertropfen und eine 7 – 8 mm starke Eisschicht an der Innenwand des Kühlbereiches absetzen. Dies ist vollkommen normal und ein Nebeneffekt des Kühlungs-systems. Dank des automatischen Abtausystems an der Rückwand wird das Eis in bestimmten Abständen automatisch abgetaut. Weder Eis noch Wassertropfen müssen manuell entfernt werden.

Beim Abtauen läuft das Tauwasser in die Ablaufrinne und fließt anschließend zum Verdampfer - hier verdunstet das Wasser automatisch.

Überzeugen Sie sich regelmäßig davon, dass der Ablauf nicht verstopft ist; beseitigen Sie eventuelle Verstopfungen mit dem Stäbchen.

Der Tiefkühlbereich wird nicht automatisch abgetaut, da es ansonsten schnell zum Verderben gefrorener Lebensmittel kommen könnte.

B) Tiefkühlbereich

Dank einer speziellen Tauwassersammelschale ist das Abtauen einfach und nicht mit Verunreinigungen verbunden.

Tauen Sie zweimal jährlich ab, oder wenn die Eisschicht auf etwa 7 mm angewachsen ist. Um den Abtauprozess zu starten, schalten Sie das Gerät am Steckdosenschalter aus und ziehen den Stecker aus der Steckdose.

Sämtliche Lebensmittel sollten in mehrere Lagen Papier eingewickelt und an einem kalten Ort (z. B. Kühlschrank oder Speisekammer) gelagert werden.

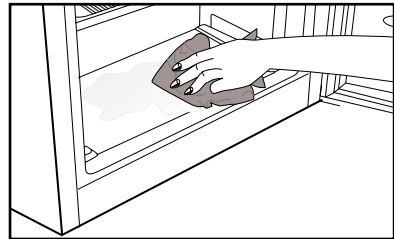
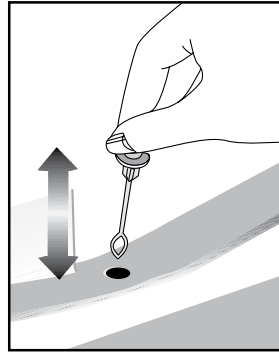
Um den Abtauvorgang zu beschleunigen, können Sie Schüsseln mit warmem Wasser in das Gerät stellen.

Verwenden Sie keine spitzen oder scharfen Gegenstände (wie Messer oder Gabeln) zum Entfernen der Eisschicht.

Verwenden Sie niemals Haartrockner, elektrische Heizgeräte oder ähnliches zum Beschleunigen des Abtauvorgangs.

Wischen Sie das Tauwasser, welches sich am Boden des Tiefkühlbereichs ansammelt, mit einem Schwamm auf. Trocknen Sie nach Beendigung des Abtauens die Innenseiten gut ab.

Stecken Sie den Netzstecker wieder in die Steckdose, schalten Sie die Stromzufuhr wieder ein.



Gerät stoppen

Bei Thermostaten mit 0-Position:

- Ihr Gerät stoppt, wenn Sie den Thermostatknopf in die 0-Position drehen. Das Gerät läuft erst dann wieder an, wenn Sie den Thermostatknopf wieder auf 1 oder eine höhere Position einstellen.

Bei Thermostaten mit „min“-Position:

- Bitte ziehen Sie zum Abschalten den Netzstecker.

6 **Wartung und Reinigung**

- ⚠ Verwenden Sie zu Reinigungszwecken niemals Benzin oder ähnliche Substanzen.
- ⚠ Wir empfehlen, vor dem Reinigen den Netzstecker zu ziehen.
- ⚠ Verwenden Sie zur Reinigung niemals scharfe Gegenstände, Seife, Haushaltsreiniger, Waschmittel oder Wachspolituren.
- ℹ Reinigen Sie das Gehäuse des Gerätes mit lauwarmem Wasser, wischen Sie die Flächen danach trocken.
- ℹ Zur Reinigung des Innenraums verwenden Sie ein feuchtes Tuch, das Sie in eine Lösung aus 1 Teelöffel Natron und einem halben Liter Wasser getaucht und ausgewrungen haben. Nach dem Reinigen wischen Sie den Innenraum trocken.
- ⚠ Achten Sie darauf, dass kein Wasser in das Lampengehäuse oder andere elektrische Komponenten eindringt.
- ⚠ Wenn Ihr Kühlgerät längere Zeit nicht benutzt wird, ziehen Sie den Netzstecker, nehmen alle Lebensmittel heraus, reinigen das Gerät und lassen die Türe geöffnet.
- ℹ Kontrollieren Sie die Türdichtungen regelmäßig, um sicherzustellen, dass diese sauber und frei von Speiseresten sind.
- ⚠ Zum Entfernen einer Türablage räumen Sie sämtliche Gegenständen aus der Ablage und schieben diese dann nach oben heraus.

Schutz der Kunststoffflächen

- ℹ Geben Sie keine Öle oder stark fetthaltige Speisen offen in Ihren Kühlschrank – dadurch können die Kunststoffflächen angegriffen werden. Sollten die Kunststoffoberflächen einmal mit Öl in Berührung kommen, so reinigen Sie die entsprechend Stellen umgehend mit warmem Wasser.

7 Empfehlungen zur Problemlösung

Bitte arbeiten Sie diese Liste durch, bevor Sie den Kundendienst anrufen. Das kann Ihnen Zeit und Geld sparen. In der Liste finden Sie häufiger auftretende Probleme, die nicht auf Verarbeitungs- oder Materialfehler zurückzuführen sind. Nicht alle hier beschriebenen Funktionen sind bei jedem Modell verfügbar.

Der Kühlschrank arbeitet nicht.

- Ist der Kühlschrank richtig angeschlossen? Stecken Sie den Netzstecker in die Steckdose.
- Ist die entsprechende Haussicherung herausgesprungen oder durchgebrannt? Überprüfen Sie die Sicherung.

Kondensation an den Seitenwänden des Kühlbereiches. (Multizone, Kühlkontrolle und FlexiZone)

- Sehr geringe Umgebungstemperaturen. Häufiges Öffnen und Schließen der Tür. Sehr feuchte Umgebung. Offene Lagerung von feuchten Lebensmitteln. Tür nicht richtig geschlossen. Kühlere Thermostateinstellung wählen.
- Türen kürzer geöffnet halten oder seltener öffnen.
- Offene Behälter abdecken oder mit einem geeigneten Material einwickeln.
- Kondensation mit einem trockenen Tuch entfernen und überprüfen, ob diese erneut auftritt.

Der Kompressor läuft nicht

- Eine Schutzschaltung stoppt den Kompressor bei kurzzeitigen Unterbrechungen der Stromversorgung und wenn das Gerät zu oft und schnell ein- und ausgeschaltet wird, da der Druck des Kühlmittels eine Weile lang ausgeglichen werden muss. Ihr Kühlschrank beginnt nach etwa sechs Minuten wieder zu arbeiten. Bitte wenden Sie sich an den Kundendienst, falls Ihr Kühlschrank nach Ablauf dieser Zeit nicht wieder zu arbeiten beginnt.
- Der Kühlschrank taut ab. Dies ist bei einem vollautomatisch abtauenden Kühlschrank völlig normal. Das Gerät taut von Zeit zu Zeit ab.
- Der Netzstecker ist nicht eingesteckt. Überprüfen Sie, ob das Gerät richtig angeschlossen ist.
- Stimmen die Temperatureinstellungen?
- Eventuell ist der Strom ausgefallen.

Der Kühlschrank arbeitet sehr intensiv oder über eine sehr lange Zeit.

- Ihr neues Gerät ist vielleicht etwas breiter als sein Vorgänger. Dies ist völlig normal. Große Kühlgeräte arbeiten oft längere Zeit.
- Die Umgebungstemperatur ist eventuell sehr hoch. Dies ist völlig normal.
- Das Kühlgerät wurde möglicherweise erst vor kurzem in Betrieb genommen oder mit Lebensmitteln gefüllt. Es kann einige Stunden länger dauern, bis der Kühlschrank seine Arbeitstemperatur erreicht hat.
- Kurz zuvor wurden größere Mengen warmer Speisen im Kühlschrank eingelagert. Heiße Speisen führen dazu, dass der Kühlschrank etwas länger arbeiten muss, bis die geeignete Temperatur zur sicheren Lagerung erreicht ist.
- Türen wurden häufig geöffnet oder längere Zeit nicht richtig geschlossen. Der Kühlschrank muss länger arbeiten, weil warme Luft in den Innenraum eingedrungen ist. Öffnen Sie die Türen möglichst selten.
- Die Tür des Kühl- oder Tiefkühlbereichs war nur angelehnt. Vergewissern Sie sich, dass die Türen richtig geschlossen wurden.
- Die Kühlschranktemperatur ist sehr niedrig eingestellt. Stellen Sie die Kühlschranktemperatur höher ein und warten Sie, bis die gewünschte Temperatur erreicht ist.
- Die Türdichtungen von Kühl- oder Gefrierbereich sind verschmutzt, verschlissen, beschädigt oder sitzen nicht richtig. Reinigen oder ersetzen Sie die Dichtung. Beschädigte oder defekte Dichtungen führen dazu, dass der Kühlschrank länger arbeiten muss, um die Temperatur halten zu können.

Die Temperatur im Tiefkühlbereich ist sehr niedrig, während die Temperatur im Kühlbereich normal ist.

- Die Tiefkühltemperatur ist sehr niedrig eingestellt. Stellen Sie die Gefrierfachtemperatur wärmer ein und prüfen Sie.

Die Temperatur im Kühlbereich ist sehr niedrig, während die Temperatur im Tiefkühlbereich normal ist.

- Die Kühltemperatur ist eventuell sehr niedrig eingestellt. Stellen Sie die Kühlbereichtemperatur wärmer ein und prüfen Sie.

Im Kühlbereich gelagerte Lebensmittel frieren ein.

- Die Kühltemperatur ist eventuell sehr niedrig eingestellt. Stellen Sie die Kühlbereichtemperatur wärmer ein und prüfen Sie.

Die Temperatur im Kühl- oder Tiefkühlbereich ist sehr hoch.
<ul style="list-style-type: none"> • Die Temperatur des Kühlbereichs ist eventuell sehr hoch eingestellt. Die Einstellung des Kühlbereichs beeinflusst die Temperatur im Tiefkühlbereich. Stellen Sie den Kühl- oder Tiefkühlbereich auf die gewünschte Temperatur ein. • Türen wurden häufig geöffnet oder längere Zeit nicht richtig geschlossen; weniger häufig öffnen. • Die Tür wurde eventuell nicht richtig geschlossen; Tür richtig schließen. • Kurz zuvor wurden größere Mengen warmer Speisen im Kühlschrank eingelagert. Warten Sie, bis der Kühl- oder Tiefkühlbereich die gewünschte Temperatur erreicht. • Der Kühlschrank war kurz zuvor von der Stromversorgung getrennt. Ihr Kühlschrank braucht einige Zeit, um sich auf die gewünschte Temperatur abzukühlen.
Das Betriebsgeräusch nimmt zu, wenn der Kühlschrank arbeitet.
<ul style="list-style-type: none"> • Das Leistungsverhalten des Kühlgerätes kann sich je nach Umgebungstemperatur ändern. Dies ist völlig normal und keine Fehlfunktion.
Vibrationen oder Betriebsgeräusche.
<ul style="list-style-type: none"> • Der Boden ist nicht eben oder nicht fest. Der Kühlschrank wackelt, wenn er etwas bewegt wird. Achten Sie darauf, dass der Boden eben ist und das Gewicht des Kühlschranks problemlos tragen kann. • Das Geräusch kann durch auf dem Kühlschrank abgestellte Gegenstände entstehen. Nehmen Sie abgestellte Gegenstände vom Kühlschrank herunter.
Fließ- oder Spritzgeräusche sind zu hören.
<ul style="list-style-type: none"> • Aus technischen Gründen bewegen sich Flüssigkeiten und Gase innerhalb des Gerätes. Dies ist völlig normal und keine Fehlfunktion.
Windähnliche Geräusche sind zu hören.
<ul style="list-style-type: none"> • Zum gleichmäßigen Kühlen werden Ventilatoren eingesetzt. Dies ist völlig normal und keine Fehlfunktion.
Kondensation an den Kühlschrankinnenflächen.
<ul style="list-style-type: none"> • Bei heißen und feuchten Wetterlagen tritt verstärkt Eisbildung und Kondensation auf. Dies ist völlig normal und keine Fehlfunktion. • Die Türen wurden eventuell nicht richtig geschlossen; Türen komplett schließen. • Türen wurden häufig geöffnet oder längere Zeit nicht richtig geschlossen; weniger häufig öffnen.
Feuchtigkeit sammelt sich an der Außenseite des Kühlschranks oder an den Türen.
<ul style="list-style-type: none"> • Eventuell herrscht hohe Luftfeuchtigkeit; dies ist je nach Wetterlage völlig normal. Die Kondensation verschwindet, sobald die Feuchtigkeit abnimmt.

Unangenehmer Geruch im Kühlschrankinnenraum.

- Das Innere des Kühlschranks muss gereinigt werden. Reinigen Sie das Innere des Kühlschranks mit einem Schwamm, den Sie mit lauwarmem oder kohlenstoffhaltigem Wasser angefeuchtet haben.
- Bestimmte Behälter oder Verpackungsmaterialien verursachen den Geruch. Verwenden Sie andere Behälter oder Verpackungsmaterial einer anderen Marke.

Die Tür wurde nicht richtig geschlossen.

- Lebensmittelpackungen verhindern eventuell das Schließen der Tür. Entfernen Sie die Verpackungen, welche die Tür blockieren.
- Der Kühlschrank steht nicht mit sämtlichen Füßen fest auf dem Boden und schaukelt bei kleinen Bewegungen. Stellen Sie die Höheneinstellschrauben ein.
- Der Boden ist nicht eben oder nicht stabil genug. Achten Sie darauf, dass der Boden eben ist und das Gewicht des Kühlschranks problemlos tragen kann.

Das Gemüsefach klemmt.

- Die Lebensmittel berühren eventuell den oberen Teil der Schublade. Ordnen Sie die Lebensmittel in der Schublade anders an.

Veillez d'abord lire la notice d'utilisation !

Chère cliente, cher client,

Nous espérons que votre produit, qui a été fabriqué dans des usines modernes et vérifié au terme des procédures de contrôle de qualité les plus méticuleuses, vous aidera efficacement.




Pour cette raison, nous vous conseillons de lire attentivement tout le manuel d'utilisation de votre produit avant de vous en servir, et de le conserver ensuite pour une utilisation ultérieure.

Le présent manuel

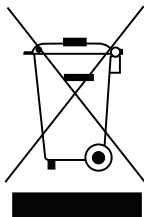
- Vous aidera à utiliser votre produit avec rapidité et sécurité.
 - Lisez le manuel avant d'installer et de faire fonctionner votre produit.
 - Respectez les instructions, notamment celles relatives à la sécurité.
 - Conservez ce manuel dans un endroit facilement accessible car vous pouvez en avoir besoin ultérieurement.
 - En plus, lisez également les autres documents fournis avec votre produit.
- Veillez noter que ce manuel peut également être valide pour d'autres modèles.

Symboles et descriptions

Vous retrouverez les symboles suivants dans le présent manuel :

-  Informations importantes ou astuces.
-  Avertissement relatif aux conditions dangereuses pour la vie et la propriété.
-  Avertissement relatif à la tension électrique.

Recyclage

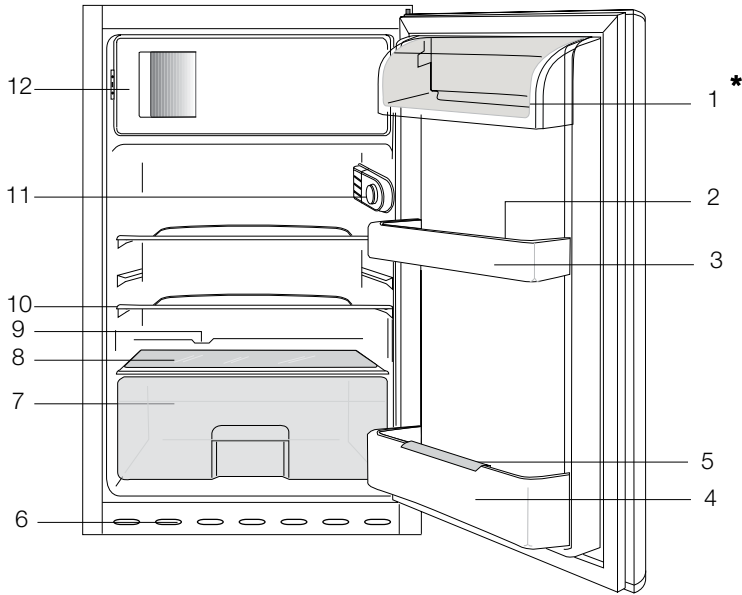


Ce produit est marqué du symbole du tri sélectif, relatif aux déchets d'équipements électriques et électroniques. Cela signifie que ce produit doit être pris en charge par un système de collecte sélectif conformément à la directive européenne 2002/96/CE, afin de pouvoir être recyclé ou démantelé dans le but de réduire tout impact sur l'environnement. Attention les produits électroniques n'ayant pas fait l'objet d'un tri sélectif sont potentiellement dangereux pour l'environnement et la santé humaine en raison de la présence potentielle de substances dangereuses.

TABLE DES MATIÈRES

1 Votre réfrigérateur	3	4 Préparation	13
2 Précautions importantes pour votre sécurité	4	5 Utilisation du réfrigérateur	14
Utilisation prévue	4	Bouton de réglage du thermostat	14
Pour les appareils dotés d'une fontaine à eau ;	6	Réfrigération	15
Sécurité enfants.....	7	Congélation	15
Avertissement HCA	7	Décongélation	15
Mesures d'économie d'énergie.....	7	Interruption du produit	16
3 Installation	8	6 Entretien et nettoyage	17
Points à prendre en compte lorsque vous transportez à nouveau votre produit.....	8	Protection des surfaces en plastique.	17
Avant de faire fonctionner votre réfrigérateur	8	7 Solutions recommandées aux problèmes	18
Mise au rebut de l'emballage	9		
Mise au rebut de votre ancien réfrigérateur	9		
Disposition et Installation	9		
Remplacement de l'ampoule intérieure	10		
Réversibilité des portes.....	11		

1 Votre réfrigérateur



1. Compartiment produits laitiers
2. Casier à œufs (1 pcs.)
3. Balconnets de porte
4. Clayette range-bouteilles
5. Range-bouteilles
6. Grille d'aération
7. Bac à légumes
8. Couvercle du bac à légumes
9. Voie de récupération de l'eau de dégivrage - Tube d'écoulement

10. Tablettes mobiles
11. Éclairage intérieur & commande du thermostat
12. a.) Compartiment de congélation & bac à glaçons (pour les modèles **✳️***** b.) Compartiment pour denrées congelées & bac à glaçons (pour les modèles **✳️✳️**)

*** en option**

i Les illustrations présentées dans cette notice d'utilisation sont schématiques et peuvent ne pas correspondre exactement à votre produit. Si des pièces présentées ne sont pas comprises dans le produit que vous avez acheté, elles sont valables pour d'autres modèles.

2 Précautions importantes pour votre sécurité

Veillez examiner les informations suivantes : Le non respect de ces consignes peut entraîner des blessures ou dommages matériels. Sinon, tout engagement lié à la garantie et à la fiabilité du produit devient invalide.

La durée de vie du produit que vous avez acheté est de 10 ans. Il s'agit ici de la période au cours de laquelle vous devez conserver les pièces de rechange nécessaires à son fonctionnement.

Utilisation prévue

Ce produit est prévu pour une utilisation

- en intérieur et dans des zones fermées telles que les maisons ;
 - dans les environnements de travail fermés, tels que les magasins et les bureaux ;
 - dans les lieux d'hébergement fermés, tels que les fermes, hôtels, pensions.
- Cet appareil ne doit pas être utilisé en extérieur.

Sécurité générale

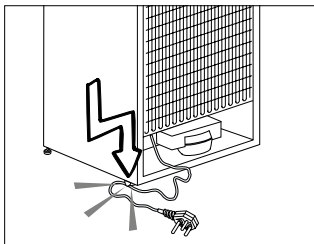
- Avant de vous débarrasser de votre appareil, veuillez consulter les autorités locales ou votre revendeur pour connaître le mode opératoire et les organismes de collecte agréés.
- Consultez le service après-vente agréé concernant toutes questions ou problèmes relatifs au réfrigérateur. N'intervenez pas ou ne laissez personne intervenir sur le réfrigérateur sans le communiquer au service après-vente agréé.

- Pour les produits équipés d'un compartiment congélateur : ne mangez pas de cônes de crème glacée ou des glaçons immédiatement après les avoir sortis du compartiment de congélation ! (Cela pourrait provoquer des engelures dans votre bouche).
- Pour les produits équipés d'un compartiment congélateur : ne placez pas de boissons en bouteille ou en cannette dans le compartiment de congélation. Cela peut entraîner leur éclatement.
- Ne touchez pas des produits congelés avec les mains, ils pourraient se coller à celles-ci.
- Débranchez votre réfrigérateur avant de le nettoyer ou de le dégivrer.
- La vapeur et des matériaux de nettoyage pulvérisés ne doivent jamais être utilisés pour les processus de nettoyage ou de dégivrage de votre réfrigérateur. La vapeur pourrait pénétrer dans les pièces électriques et provoquer des courts-circuits ou des électrocutions.
- Ne jamais utiliser les pièces de votre réfrigérateur telles que la porte, comme un support ou une marche.
- N'utilisez pas d'appareils électriques à l'intérieur du réfrigérateur.
- N'endommagez pas les pièces où circule le liquide réfrigérant avec des outils de forage ou coupants. Le liquide réfrigérant qui pourrait s'échapper si les canalisations de gaz de l'évaporateur, les rallonges de tuyau ou les revêtements de surface

étaient percés, peut irriter la peau et provoquer des blessures aux yeux.

- Ne pas couvrir ou obstruer les orifices de ventilation du réfrigérateur.
- Les appareils électriques peuvent être réparés seulement par des personnes autorisées. Les réparations réalisées par des personnes ne présentant pas les compétences requises peuvent présenter un risque pour l'utilisateur.
- En cas de dysfonctionnement ou lors d'opérations d'entretien ou de réparation, débranchez l'alimentation électrique du réfrigérateur soit en désactivant le fusible correspondant, soit en débranchant l'appareil.
- Ne tirez pas sur le câble lorsque vous débranchez la prise.
- Placez les boissons alcoolisées verticalement, dans des récipients convenablement fermés.
- Ne conservez jamais des aérosols contenant des substances inflammables et explosives dans le réfrigérateur.
- N'utilisez pas d'outils mécaniques ou autres dispositifs pour accélérer le processus de décongélation autres que ceux qui sont recommandés par le fabricant.
- Ce produit n'est pas conçu pour être utilisé par des personnes (enfants compris) souffrant de déficience physique, sensorielle, mentale, ou inexpérimentées, à moins d'avoir obtenu une autorisation auprès des personnes responsables de leur sécurité.
- Ne faites pas fonctionner un réfrigérateur endommagé. Consultez le service agréé en cas de problème.
- La sécurité électrique du réfrigérateur n'est assurée que si le système de mise à la terre de votre domicile est conforme aux normes en vigueur.
- L'exposition du produit à la pluie, la neige, au soleil ou au vent présente des risques concernant la sécurité électrique.
- Contactez le service agréé quand un câble d'alimentation est endommagé pour éviter tout danger.
- Ne branchez jamais le réfrigérateur à la prise murale au cours de l'installation. Vous vous exposeriez à un risque de mort ou à de blessures graves.
- Ce réfrigérateur est conçu seulement pour conserver des aliments. Par conséquent, il ne doit pas être utilisé à d'autres fins.
- L'étiquette avec les caractéristiques techniques est située sur le mur gauche à l'intérieur du réfrigérateur.
- Ne branchez jamais votre réfrigérateur à des systèmes d'économie d'énergie, cela peut l'endommager.
- S'il y a une lumière bleue sur le réfrigérateur, ne la regardez pas avec des outils optiques.
- Pour les réfrigérateurs contrôlés manuellement, attendez au moins 5 minutes pour allumer le réfrigérateur après une coupure de courant.
- Si cet appareil venait à changer de propriétaire, n'oubliez pas de remettre la présente notice d'utilisation au nouveau bénéficiaire.
- Evitez d'endommager le câble d'alimentation quand vous transportez le réfrigérateur. Tordre le câble peut entraîner un incendie.

Ne placez jamais d'objets lourds sur le câble d'alimentation. Évitez de toucher à la prise avec des mains mouillées au moment de brancher l'appareil.



- Évitez de brancher le réfrigérateur lorsque la prise de courant électrique a lâché.
- Pour des raisons d'ordre sécuritaire, évitez de vaporiser directement de l'eau sur les parties externes et internes du réfrigérateur.
- Ne pulvérisiez pas de substances contenant des gaz inflammables comme du propane près du réfrigérateur pour éviter tout risque d'incendie et d'explosion.
- Ne placez jamais de récipients pleins d'eau en haut du réfrigérateur, ils pourraient causer des chocs électriques ou incendie.
- Ne surchargez pas votre réfrigérateur avec des quantités de nourriture excessives. S'il est surchargé, les aliments peuvent tomber, vous blesser et endommager le réfrigérateur quand vous ouvrez la porte. Ne placez jamais d'objets au-dessus du réfrigérateur, ils pourraient tomber quand vous ouvrez ou fermez la porte du réfrigérateur.
- Les produits qui nécessitent un contrôle de température précis (vaccin, médicament sensible à la

chaleur, matériels scientifiques, etc.) ne doivent pas être conservés dans le réfrigérateur.

- Si le réfrigérateur n'est pas utilisé pendant longtemps, il doit être débranché. Un problème avec le câble d'alimentation pourrait causer un incendie.
- Le bout de la prise électrique doit être nettoyé régulièrement, sinon il peut provoquer un incendie.
- Le bout de la prise électrique doit être nettoyé régulièrement à l'aide d'un chiffon sec, sinon il peut provoquer un incendie.
- Le réfrigérateur peut bouger si ses pieds réglables ne sont pas bien fixés sur le sol. Bien fixer les pieds réglables sur le sol peut empêcher le réfrigérateur de bouger.
- Quand vous transportez le réfrigérateur, ne le tenez pas par la poignée de la porte. Cela peut le casser.
- Quand vous devez placer votre produit près d'un autre réfrigérateur ou congélateur, la distance entre les appareils doit être d'au moins 8 cm. Sinon, les murs adjacents peuvent être humidifiés.

Pour les appareils dotés d'une fontaine à eau ;

La pression de l'alimentation en eau doit être au minimum de 1 bar. La pression de l'alimentation en eau doit être au maximum de 8 bars.

- Utilisez uniquement de l'eau potable.

Sécurité enfants

- Si la porte a un verrouillage, la clé doit rester hors de portée des enfants.
- Les enfants doivent être surveillés et empêchés de s'amuser avec le produit.

Avertissement HCA

Si le système de refroidissement de votre appareil contient R600a:

Ce gaz est inflammable. Par conséquent, veuillez prendre garde à ne pas endommager le système de refroidissement et les tuyauteries lors de son utilisation ou de son transport. En cas de dommages, éloignez votre produit de toute source potentielle de flammes susceptible de provoquer l'incendie de l'appareil. De même, placez le produit dans une pièce aérée.

Ne tenez pas compte de cet avertissement si le système de refroidissement de votre appareil contient R134a.


Le type de gaz utilisé dans l'appareil est mentionné sur la plaque signalétique située sur le mur gauche à l'intérieur du réfrigérateur.

Ne jetez jamais l'appareil au feu pour vous en débarrasser.

Mesures d'économie d'énergie

- Ne laissez pas les portes du réfrigérateur ouvertes pendant une durée prolongée.
- N'introduisez pas de denrées ou de boissons chaudes dans le réfrigérateur.
- Ne surchargez pas le réfrigérateur pour ne pas obstruer pas la circulation d'air à l'intérieur.
- N'installez pas le réfrigérateur à la lumière directe du soleil ou près d'appareil émettant de la chaleur tels qu'un four, un lave-vaisselle ou un radiateur.
- Veillez à conserver vos denrées dans des récipients fermés.
- Pour les produits équipés d'un compartiment congélateur : vous pouvez conserver une quantité maximale d'aliments dans le congélateur quand vous enlevez l'étagère ou le tiroir du congélateur. La consommation d'énergie précisée pour votre réfrigérateur a été déterminée en enlevant l'étagère ou le tiroir du congélateur et avec la charge maximale. Il n'y a aucun risque à utiliser une étagère ou un tiroir en fonction des formes et tailles des denrées à congeler.
- La décongélation des aliments dans le compartiment réfrigérateur permet de faire des économies d'énergie et de préserver la qualité des aliments.

3 Installation

 Veuillez noter que le fabricant ne pourra être tenu responsable si les informations fournies dans cette notice d'utilisation ne sont pas respectées.

Points à prendre en compte lorsque vous transportez à nouveau votre produit.

1. Le réfrigérateur doit être vidé et nettoyé avant tout transport.
2. Les clayettes, accessoires, bac à légumes, etc. de votre réfrigérateur doivent être fixés solidement avec de la bande adhésive avant de remballer l'appareil, pour le protéger en cas de chocs.
3. L'emballage doit être fixé avec une bande adhésive forte et des cordes solides, et les normes de transport indiquées sur l'emballage doivent être appliquées.

Gardez à l'esprit les points suivants...

Chaque matériau recyclé est une participation indispensable à la préservation de la nature et conservation de nos ressources nationales.

Si vous souhaitez contribuer à recycler les matériaux d'emballage, vous pouvez obtenir des informations supplémentaires auprès des organismes environnementaux ou des autorités locales.

Avant de faire fonctionner votre réfrigérateur

Avant de commencer à faire fonctionner votre réfrigérateur, vérifiez les points suivants :

1. L'intérieur du réfrigérateur est sec et l'air peut circuler librement à l'arrière?
2. Insérez les 2 cales en plastique entre les câbles du condenseur, tel qu'illustré dans la figure suivante. Les cales en plastique maintiendront la distance nécessaire entre votre réfrigérateur et le mur pour permettre une bonne circulation de l'air. (Le schéma présenté est fourni à titre indicatif et peut ne pas correspondre exactement avec votre produit).
3. Nettoyez l'intérieur du réfrigérateur tel qu'indiqué dans la section « Entretien et nettoyage ».
4. Branchez le réfrigérateur dans la prise murale. Lorsque la porte du réfrigérateur est ouverte, l'éclairage intérieur s'allumera.
5. Vous remarquerez un bruit lorsque le compresseur se met en marche. Le liquide et les gaz intégrés au système du réfrigérateur peuvent également faire du bruit, que le compresseur soit en marche ou non. Ceci est tout à fait normal.
6. Les parties antérieures du réfrigérateur peuvent chauffer. Ce phénomène est normal. Ces zones doivent en principe être chaudes pour éviter tout risque de condensation.

Branchement électrique

Branchez votre réfrigérateur à une prise de mise à la terre protégée par un fusible ayant une capacité appropriée. Important :

- Le branchement doit être conforme aux normes en vigueur sur le territoire national.

- La fiche de câble d'alimentation doit être facilement accessible après installation.
- La tension spécifiée doit être égale à votre tension de secteur.
- Les rallonges et prises multivoies ne doivent pas être utilisés pour brancher l'appareil.

⚠ Un câble d'alimentation endommagé doit être remplacé par un électricien qualifié.

⚠ L'appareil ne doit pas être mis en service avant d'être réparé ! Un risque de choc électrique existe !

Mise au rebut de l'emballage

Les matériaux d'emballage peuvent être dangereux pour les enfants. Tenez les matériaux d'emballage hors de portée des enfants ou débarrassez-vous-en conformément aux consignes sur les déchets. Ne les jetez pas aux côtés des ordures ménagères ordinaires.

L'emballage de votre appareil est produit à partir des matériaux recyclables.

Mise au rebut de votre ancien réfrigérateur

Débarrassez-vous de votre ancien réfrigérateur sans nuire à l'environnement.

- Vous pouvez consulter le service après-vente agréé ou le centre chargé de la mise au rebut dans votre municipalité pour en savoir plus sur la mise au rebut de votre produit.

Avant de procéder à la mise au rebut de votre machine, coupez la prise électrique et, le cas échéant, tout verrouillage susceptible de se trouver

sur la porte. Rendez-les inopérants afin de ne pas exposer les enfants à d'éventuels dangers.

Disposition et Installation

⚠ Si la porte d'entrée de la pièce où sera installé le réfrigérateur n'est pas assez large pour laisser passer le réfrigérateur, appelez alors le service après-vente pour faire retirer les portes du réfrigérateur et le faire passer latéralement.

1. Installez le réfrigérateur dans un emplacement qui permette une utilisation pratique.

2. Maintenez le réfrigérateur éloigné de toutes sources de chaleur, des endroits humides et de la lumière directe du soleil.

3. Une ventilation d'air autour du réfrigérateur doit être aménagée pour obtenir un fonctionnement efficace. Si le réfrigérateur est placé dans un enfoncement du mur, il doit y avoir un espace d'au moins 5 cm avec le plafond et d'au moins 5 cm avec le mur. **Si le sol est couvert de moquette, votre produit doit être surélevé à 2,5 cm du sol.**

4. Placez le réfrigérateur sur un a de surface plane afin d'éviter les à-coups.

5. N'exposez pas le réfrigérateur à des températures ambiantes inférieures à 10°C.

Remplacement de l'ampoule intérieure

Si la lumière ne fonctionne pas, déconnectez à la prise de courant et débranchez la prise d'alimentation. Suivez les instructions ci-dessous pour vérifier si l'ampoule ne s'est pas desserrée.

Si la lumière ne s'allume toujours pas, procurez-vous une nouvelle ampoule à culot E14 à vis de 15 Watt (maximum) au magasin local de matériel électrique puis insérez-la en procédant comme suit:

1. Déconnectez la prise de courant et débranchez la prise d'alimentation. Vous pouvez éventuellement retirez les tablettes pour avoir un accès plus facile.

2. Enlevez le diffuseur comme indiqué dans le schéma (a-b).

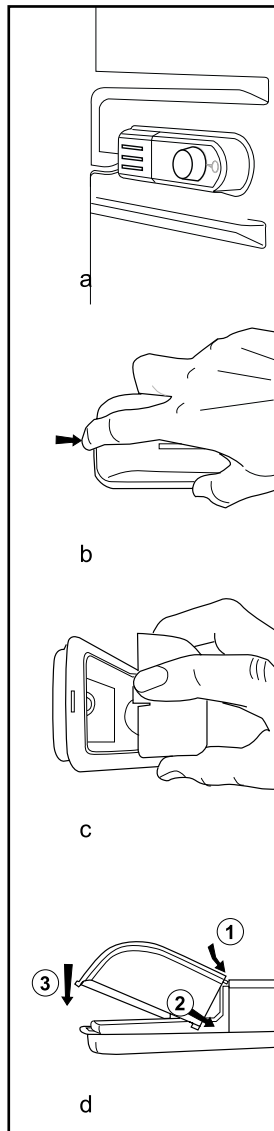
3. Remplacez l'ampoule grillée.

4. Réassemblez le diffuseur comme indiqué dans le schéma (c).

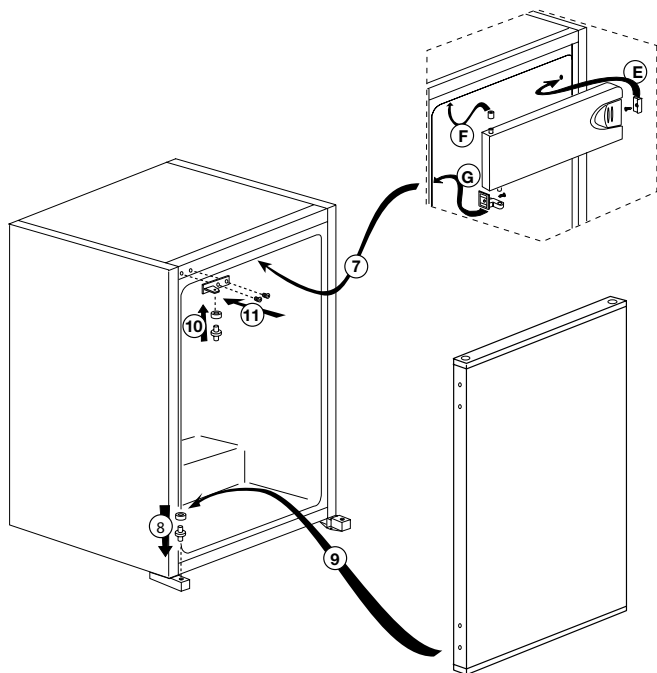
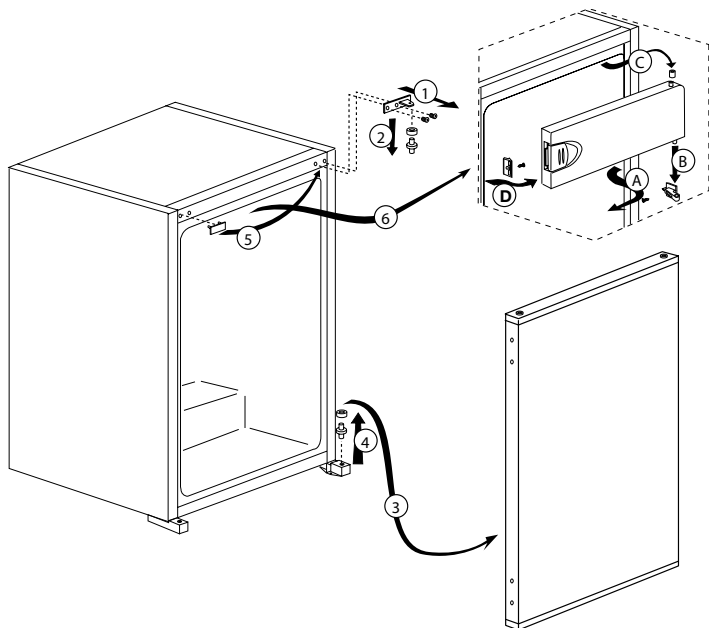
"Poussez fermement pour être sûr que le couvercle est bien fixé."

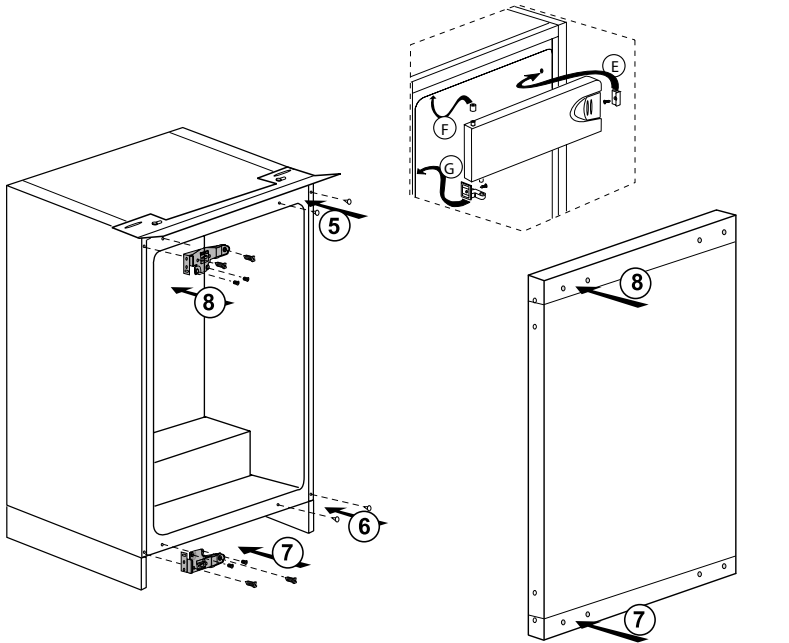
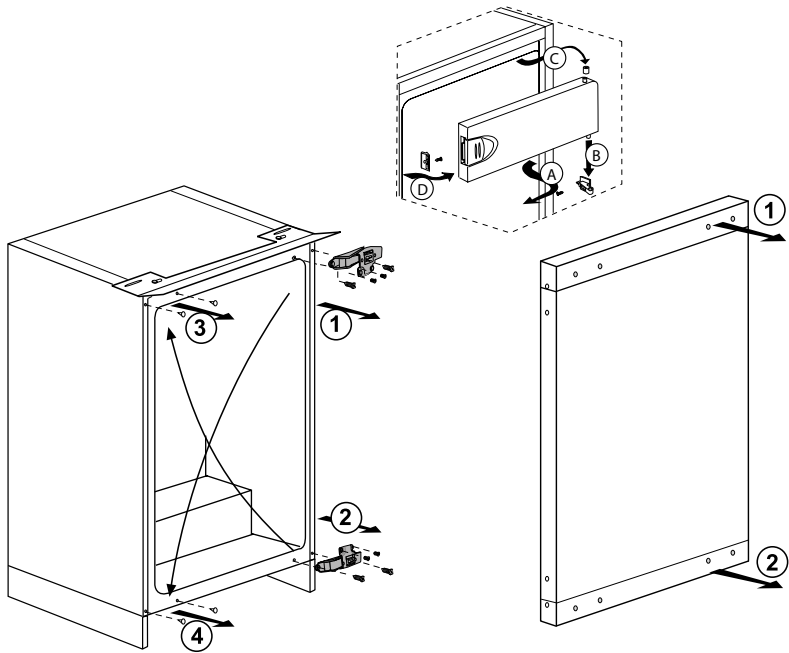
5. Jetez soigneusement l'ampoule grillée immédiatement.

"Les ampoules de remplacement se trouvent facilement dans les magasins de matériel électrique ou de bricolage locaux."



Réversibilité des portes





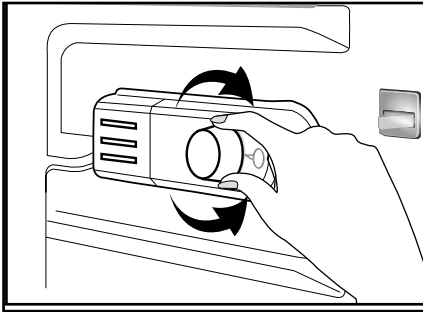
B 1752 F

4 Préparation

- i** Votre réfrigérateur doit être installé à au moins 30 cm des sources de chaleur telles que les plaques de cuisson, les fours, appareils de chauffage ou cuisinières, et à au moins 5 cm des fours électriques. De même, il ne doit pas être exposé à la lumière directe du soleil.
- i** La température ambiante de la pièce où vous installez le réfrigérateur doit être d'au moins 10°C. Faire fonctionner l'appareil sous des températures inférieures n'est pas recommandé et pourrait nuire à son efficacité.
- i** Veuillez vous assurer que l'intérieur de votre appareil est soigneusement nettoyé.
- i** Si deux réfrigérateurs sont installés côte à côte, ils doivent être séparés par au moins 2 cm.
- i** Lorsque vous faites fonctionner le réfrigérateur pour la première fois, assurez-vous de suivre les instructions suivantes pendant les six premières heures.
 - La porte ne doit pas être ouverte fréquemment.
 - Le réfrigérateur doit être mis en marche à vide, sans denrées à l'intérieur.
 - Ne débranchez pas le réfrigérateur. Si une panne de courant se produit, veuillez vous reporter aux avertissements dans la section « Solutions recommandées aux problèmes ».
- i** L'emballage et les matériaux de protection d'emballage doivent être conservés pour les éventuels transports ou déplacements à venir.

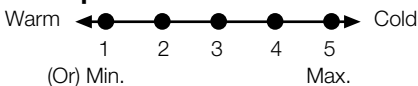
5 Utilisation du réfrigérateur

Bouton de réglage du



thermostat

La température de fonctionnement est réglée à l'aide de la commande de température.



1 = Réglage de réfrigération le plus faible (Réglage le plus chaud)

5 = Réglage de réfrigération le plus fort (Réglage le plus froid)

(Ou)

Min. = Réglage de réfrigération le plus faible

(Réglage le plus chaud)

Max. = Réglage de réfrigération le plus fort

(Réglage le plus froid)

La température médiane à l'intérieur du réfrigérateur doit être proche de +5 °C.

Veuillez choisir le réglage en fonction de la température désirée.

Vous remarquerez qu'il y a plusieurs températures différentes dans la zone de réfrigération.

La zone la plus froide est située directement au-dessous du bac à légumes.

La température intérieure est également fonction de la température ambiante, la fréquence d'ouverture de la porte et la quantité de denrées stockées à l'intérieur.

Si la porte est ouverte fréquemment, la température intérieure monte.

Pour cette raison, il est recommandé de refermer la porte aussitôt que possible après utilisation.

La température intérieure de votre réfrigérateur change pour les raisons suivantes:

- Températures saisonnières,
- Ouverture fréquente de la porte et porte laissée ouverte pendant de longues périodes,
- Denrées introduites dans le réfrigérateur sans réduction à la température ambiante.
- Emplacement du réfrigérateur dans la pièce (par ex. exposition à la lumière directe du soleil)
- Vous pouvez régler les différentes températures intérieures dues à de telles raisons en utilisant le thermostat. Les numéros entourant le bouton du thermostat indiquent le niveau de refroidissement.
- Si la température ambiante est supérieure à 32°C, réglez le bouton du thermostat à la position maximale.
- Si la température ambiante est inférieure à 25°C, réglez le bouton du thermostat à la position minimale..


Réfrigération

Conservation des denrées

Le compartiment réfrigérateur est destiné à la conservation à court terme d'aliments frais et de boissons.

Congélation

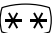
Congeler les denrées

Le compartiment de congélation porte ce symbole .

Vous pouvez utiliser cet appareil pour congeler des denrées fraîches ainsi que pour stocker des denrées surgelées.

Veillez vous référer aux recommandations indiquées sur l'emballage de votre aliment.

Conservation des denrées surgelées

Le compartiment des denrées congelées porte le symbole .

Le compartiment des denrées congelées est destiné au stockage de denrées surgelées. La recommandation de conservation, indiquée sur l'emballage des aliments, doit toujours être respectée.

Décongélation

A) Compartiment réfrigérateur

Le compartiment réfrigérateur se dégivre automatiquement. De l'eau s'écoule et une couche de givre pouvant atteindre 7-8 mm peut se former sur la paroi arrière interne du compartiment du réfrigérateur pendant le processus de refroidissement. Cette formation est normale, provoquée par le système de refroidissement. La formation de givre peut être supprimée par le dégivrage automatique qui s'active régulièrement grâce au système de dégivrage de la paroi arrière. L'utilisateur n'a pas besoin d'éliminer le givre ou les gouttes d'eau manuellement.

L'eau générée par le dégivrage s'écoule dans la rainure de collecte de l'eau et passe dans l'évaporateur par le tuyau de vidange où elle s'évapore.

Vérifiez régulièrement le tuyau de vidange pour vous assurer qu'il n'est pas obstrué et débouchez-le en introduisant un bâton dans le trou si nécessaire.

Le compartiment du surgélateur ne réalise pas de dégivrage automatique pour empêcher la détérioration des denrées congelées.

B) Compartiment congélateur

Le dégivrage est très simple et sans encombre grâce au bac spécial de récupération de l'eau de dégivrage.

Dégivrez deux fois par an ou lorsque la couche de givre atteint environ 7 mm (1/4"). Pour procéder au dégivrage, déconnectez l'appareil et débranchez la prise d'alimentation.

Emballer les denrées dans plusieurs couches de papier journal et stockez-les dans un endroit frais (réfrigérateur ou cellier par exemple).

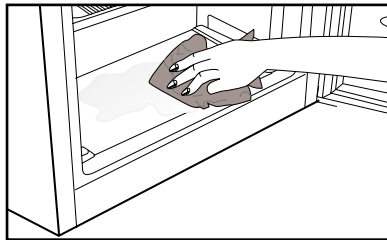
Des récipients d'eau chaude peuvent être placés avec précaution dans le congélateur pour accélérer le dégivrage.

N'utilisez pas d'objets pointus ou tranchants tels que couteaux ou fourchettes pour enlever le givre.

N'utilisez jamais de sèche-cheveux, radiateurs électriques ou autres appareils électriques similaires pour dégivrer.

Epongez l'eau de dégivrage située au fond du compartiment congélateur. Une fois le dégivrage terminé, séchez soigneusement l'intérieur.

Branchez l'appareil à la prise murale et rétablissez l'alimentation électrique.



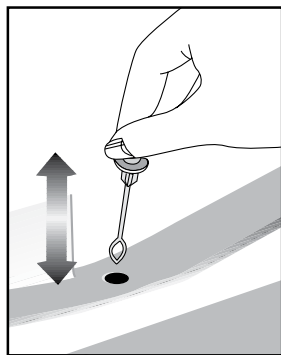
Interruption du produit

Si la position « 0 » se trouve sur votre thermostat :

- Votre appareil cessera de fonctionner lorsque vous mettrez le bouton du thermostat à la position « 0 » (zéro). Votre appareil ne démarrera pas à moins que vous mettiez le bouton du thermostat sur la position « 1 » ou sur l'une des autres positions.

Si la position « min » se trouve sur votre thermostat :

- Débranchez votre appareil pour l'arrêter.



6 Entretien et nettoyage

- ⚠ N'utilisez jamais d'essence, de benzène ou de matériaux similaires pour le nettoyage.
- ⚠ Nous vous recommandons de débrancher l'appareil avant de procéder au nettoyage.
- ⚠ N'utilisez jamais d'ustensiles tranchants, savon, produit de nettoyage domestique, détergent et cirage pour le nettoyage.
- ℹ Utilisez de l'eau tiède pour nettoyer la carrosserie du réfrigérateur et séchez-la soigneusement à l'aide d'un chiffon.
- ℹ Utilisez un chiffon humide imbibé d'une solution composée d'une cuillère à café de bicarbonate de soude pour un demi litre d'eau pour nettoyer l'intérieur et séchez soigneusement.
- ⚠ Prenez soin de ne pas faire couler d'eau dans le logement de la lampe et dans d'autres éléments électriques.
- ⚠ En cas de non utilisation de votre réfrigérateur pendant une période prolongée, débranchez le câble d'alimentation, sortez toutes les denrées, nettoyez-le et laissez la porte entrouverte.
- ℹ Inspectez les joints de porte régulièrement pour vérifier qu'ils sont propres et qu'il n'y a pas de particules de nourriture.
- ⚠ Pour retirer les balconnets de portes, sortez tout son contenu puis poussez simplement le balconnet vers le haut à partir de la base.

Protection des surfaces en plastique.

- ℹ Ne placez pas d'huiles ou de plats huileux dans le réfrigérateur dans des récipients non fermés, car les graisses peuvent endommager les surfaces en plastique du réfrigérateur. Si vous versez ou éclaboussez de l'huile sur les surfaces en plastique, nettoyez et lavez les parties souillées avec de l'eau chaude immédiatement.

7 Solutions recommandées aux problèmes

Veillez vérifier la liste suivante avant d'appeler le service après-vente. Cela peut vous faire économiser du temps et de l'argent. Cette liste regroupe les problèmes les plus fréquents ne provenant pas d'un défaut de fabrication ou d'utilisation du matériel. Il se peut que certaines des fonctions décrites ne soient pas présentes sur votre produit.

Le réfrigérateur ne fonctionne pas.

- Le réfrigérateur est-il correctement branché ? Insérez la prise dans la prise murale.
- Est-ce que le fusible ou la douille de raccord du réfrigérateur sont connectés ou est-ce que le fusible principal a sauté ? Vérifiez le fusible.

Condensation sur la paroi intérieure du compartiment réfrigérateur. (MULTIZONE, COOL CONTROL et FLEXI ZONE).

- Température ambiante très basse. Ouvertures et fermetures fréquentes de la porte. Humidité ambiante très élevée. Conservation de denrées liquides dans des récipients ouverts. Porte laissée entrouverte. Réglez le thermostat à un niveau de froid supérieur.
- Réduisez les temps d'ouverture de la porte ou utilisez-la moins fréquemment.
- Couvrez les denrées dans des récipients ouverts à l'aide d'un matériau adapté.
- Essayez la condensation à l'aide d'un tissu sec et vérifiez si elle persiste.

Le compresseur ne fonctionne pas.

- Le dispositif de protection thermique du compresseur sautera en cas de coupures soudaines du courant ou de débranchement intempestif, en effet la pression du liquide réfrigérant du système de refroidissement ne sera pas équilibrée. Le réfrigérateur recommencera à fonctionner normalement après 6 minutes environ. Veuillez contacter le service après-vente si le réfrigérateur ne redémarre pas après cette période.
- Le réfrigérateur est en mode de dégivrage. Cela est normal pour un réfrigérateur à dégivrage semi-automatique. Le cycle de dégivrage se déclenche régulièrement.
- Le réfrigérateur n'est pas branché à la prise. Assurez-vous que la prise est branchée à la prise murale.
- Les réglages de température sont-ils corrects ?
- Il se peut qu'il y ait une panne d'électricité.

Le réfrigérateur fonctionne fréquemment ou pendant de longues périodes.

- Votre nouveau réfrigérateur est peut-être plus large que l'ancien. Ceci est tout à fait normal. Les grands réfrigérateurs fonctionnent pendant une période de temps plus longue.
- La température ambiante de la salle peut être élevée. Ceci est tout à fait normal.
- Le réfrigérateur pourrait y avoir été branché tout récemment ou pourrait avoir été chargé de denrées alimentaires. Le refroidissement complet du réfrigérateur peut durer quelques heures de plus.
- D'importantes quantités de denrées chaudes ont peut-être été introduites dans le réfrigérateur récemment. Les denrées chaudes provoquent un fonctionnement prolongé du réfrigérateur avant d'atteindre le niveau de température de conservation raisonnable.
- Les portes ont peut-être été ouvertes fréquemment ou laissées entrouvertes pendant une durée prolongée. L'air chaud qui entre dans le réfrigérateur le fait fonctionner pendant de plus longues périodes. Ouvrez les portes moins souvent.
- La porte du réfrigérateur ou du congélateur ont peut-être été laissées entrouvertes. Vérifiez que les portes sont bien fermées.
- Le réfrigérateur est réglé à une température très basse. Réglez la température du réfrigérateur à un degré supérieur et attendez jusqu'à ce que la température soit bonne.
- Le joint de la porte du réfrigérateur ou du congélateur peut être sale, déchiré, rompu ou mal en place. Nettoyez ou remplacez le joint. Tout joint endommagé/déchiré fait fonctionner le réfrigérateur pendant une période de temps plus longue afin de conserver la température actuelle.

La température du congélateur est très basse alors que celle du réfrigérateur est correcte.

- La température du congélateur est réglée à une température très basse. Réglez la température du congélateur à un degré supérieur et vérifiez.

La température du réfrigérateur est très basse alors que celle du congélateur est correcte.

- Il se peut que la température du réfrigérateur a réglée à une température très basse. Réglez la température du réfrigérateur à un degré supérieur et vérifiez.

Les denrées conservées dans les tiroirs du compartiment de réfrigération congèlent.

- Il se peut que la température du réfrigérateur a réglée à une température très basse. Réglez la température du réfrigérateur à un degré supérieur et vérifiez.

La température dans le réfrigérateur ou le congélateur est très élevée.

- La température du réfrigérateur a peut être été réglée à un degré très élevé. Le réglage du réfrigérateur a un effet sur la température du congélateur. Modifiez la température du réfrigérateur ou du congélateur jusqu'à ce qu'elles atteignent un niveau correct.
- Les portes ont peut être été ouvertes fréquemment ou laissées entrouvertes pendant une durée prolongée; ouvrez-les moins fréquemment.
- La porte est peut être restée ouverte; refermez complètement la porte.
- D'importantes quantités de denrées chaudes ont peut être été introduites dans le réfrigérateur récemment. Attendez que le réfrigérateur ou le congélateur atteigne la bonne température.
- Le réfrigérateur y a peut être été branché récemment. Le refroidissement complet du réfrigérateur nécessite du temps.

Le niveau sonore augmente lorsque le réfrigérateur est en marche.

- Les caractéristiques de performance du réfrigérateur peuvent changer en raison des variations de la température ambiante. Cela est normal et n'est pas un défaut.

Vibrations ou bruits

- Le sol n'est pas plat ou n'est pas solide. Le réfrigérateur oscille lorsqu'on le bouge lentement. Assurez-vous que le sol est plat et suffisamment solide pour supporter le réfrigérateur.
- Les bruits peuvent être produits par les objets placés sur le réfrigérateur. Enlevez tout ce qu'il y a au-dessus du réfrigérateur.

Le réfrigérateur produit des bruits semblables à de l'eau qui coule ou à la pulvérisation d'un liquide.

- Des écoulements de gaz et de liquides se produisent dans le réfrigérateur, de par ses principes de fonctionnement. Cela est normal et n'est pas un défaut.

Le réfrigérateur produit des bruits semblables à du vent.

- Les ventilateurs sont utilisés pour refroidir le réfrigérateur. Cela est normal et n'est pas un défaut.

Condensation sur les parois intérieures du réfrigérateur.

- Un temps chaud et humide augmente la formation de givre et de condensation. Cela est normal et n'est pas un défaut.
- La porte est peut être restée ouverte; assurez-vous que les portes sont complètement fermées.
- Les portes ont peut être été ouvertes fréquemment ou laissées entrouvertes pendant une durée prolongée; ouvrez-les moins fréquemment.

De l'humidité est présente à l'extérieur ou entre les portes du réfrigérateur.

- Il y a peut être de l'humidité dans l'air; ceci est tout à fait normal par un temps humide. Lorsque l'humidité est faible, la condensation disparaîtra.

Présence d'une mauvaise odeur dans le réfrigérateur.

- L'intérieur du réfrigérateur doit être nettoyé. Nettoyez l'intérieur du réfrigérateur avec une éponge, de l'eau tiède ou de l'eau gazeuse.
- Certains récipients ou matériaux d'emballage peuvent provoquer ces odeurs. Utilisez un autre récipient ou changez de marque de matériau d'emballage.

La porte ne se ferme pas.

- Des récipients peuvent empêcher la fermeture de la porte. Remplacez les emballages qui obstruent la porte.
- Le réfrigérateur n'est pas complètement vertical et peut balancer lorsqu'on le bouge légèrement. Réglez les vis de levage.
- Le sol n'est pas plat ou solide. Assurez-vous que le sol est plat et qu'il peut supporter le réfrigérateur.

Les bacs à légumes sont coincés.

- Il se peut que les denrées touchent le plafond du tiroir. Disposez à nouveau les denrées dans le tiroir.

Gelieve eerst deze gebruiksaanwijzing te lezen!

Beste klant,

We hopen dat uw product, dat in een moderne fabriek werd geproduceerd en onder de meest nauwkeurige procedures voor kwaliteitscontrole werd gecontroleerd, u doeltreffend van dienst zal zijn.

Wij bevelen daarom aan dat u eerst zorgvuldig de volledige gebruiksaanwijzing van uw product leest voordat u het product gaat gebruiken. Bewaar de handleiding voor toekomstige raadpleging.




Deze gebruiksaanwijzing

- Helpt u uw toestel snel en veilig te gebruiken.
- Lees de gebruiksaanwijzing voordat u het product installeert en gebruikt.
- Volg de instructies, in het bijzonder die met betrekking tot veiligheid.
- Bewaar de gebruiksaanwijzing op een eenvoudig toegankelijke plaats aangezien u deze later nodig kunt hebben.
- Daarnaast dient u ook de andere documenten die bij uw product worden geleverd te lezen.

Let erop dat deze gebruiksaanwijzing ook voor andere modellen kan gelden.

Symbolen en hun beschrijvingen

Deze instructiehandleiding bevat de volgende symbolen:

-  Belangrijke informatie of nuttige gebruikstips.
-  Waarschuwing tegen gevaarlijke omstandigheden voor leven en eigendommen.
-  Waarschuwing tegen elektrische spanning.



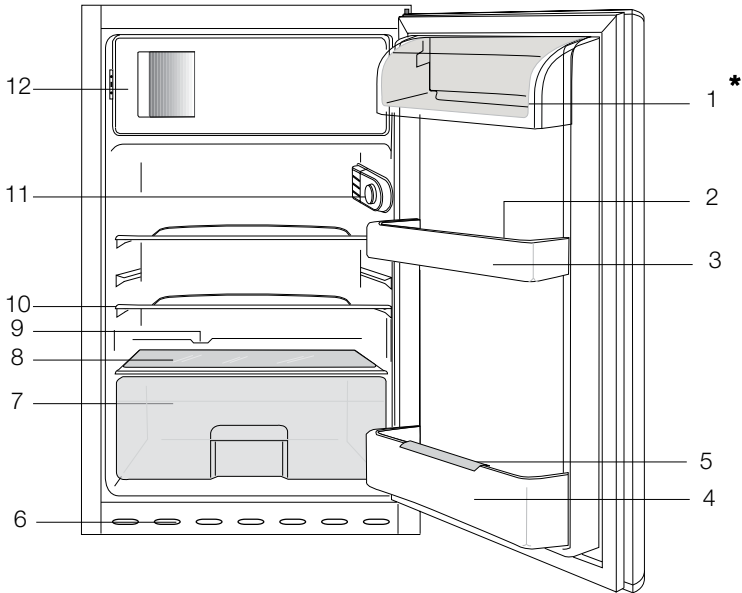
Dit product bevat het symbool voor selectief sorteren van afval van elektrische uitrustingen en elektronica (WEEE).

Dit betekent dat dit product moet worden gehanteerd overeenkomstig de Europese richtlijn 2002/96/EC ten einde te worden gerecycleerd of gedemonteerd om de impact op het milieu te minimaliseren. Voor meer informatie, neem a.u.b. contact op met uw plaatselijke of regionale overheid.

Elektronische producten die niet selectief gesorteerd worden, zijn potentieel gevaarlijk voor het milieu en de gezondheid van de mens omwille van de aanwezigheid van gevaarlijke stoffen.

1 Uw koelkast	3	4 Voorbereiding	13
2 Belangrijke veiligheidswaarschuwingen	4	5 Gebruik van uw koelkast	14
Bedoeld gebruik	4	Knop om thermostaat in te stellen ...	14
Algemene veiligheid	4	Koelen	14
Kinderbeveiliging	6	Diepvriezen	15
HCA-waarschuwing	7	Ontdooien	15
Aanwijzingen ter besparing van energie	7	Uw product uitschakelen	16
3 Installatie	8	6 Onderhoud en reiniging	17
Aandachtspunten bij het opnieuw transporteren van uw koelkast	8	Bescherming van de plastic oppervlakken	17
Alvorens de inwerkingstelling van uw koelkast	8	7 Aanbevolen oplossingen voor problemen	18
Elektrische aansluiting	8		
Afvoeren van de verpakking	9		
Afvoeren van uw oude koelkast	9		
Plaatsing en installatie	9		
Het binnenlichtje vervangen	10		
De deuren omkeren	11		

1 Uw koelkast



1. Boter- & kaasdeel
2. Eierrekken
3. Deurschappen
4. Flessenrek
5. Flessengrijper
6. Luchtrooster
7. Groentelade
8. Deksel groentelade
9. Afvoerkanal dooiwater - afvoerpijp
10. Verplaatsbare schappen
11. Binnenlampje & Thermostaatknop
12. a.) Invriesvak & ijsblokjesvorm (voor ******* modellen) b) Vak voor diepvriesproducten & ijsblokjesvorm (voor ****** modellen)

*** optioneel**

i De afbeeldingen in deze gebruiksaanwijzing zijn schematisch en hoeven niet exact met uw product overeen te komen. Wanneer onderdelen niet tot het product behoren dat u hebt gekocht, gelden deze voor andere modellen.

2 Belangrijke veiligheidswaarschuwingen

Gelieve de volgende informatie goed te bestuderen. In het geval deze informatie niet wordt opgevolgd, kan persoonlijk letsel of materiële schade het gevolg zijn. In dat geval worden alle garanties en betrouwbaarheidsengagementen ongeldig.

De levensduur van de unit die u heeft aangekocht is 10 jaar. Dit is de periode dat u benodigde reserveonderdelen dient te bewaren om de unit te laten werken zoals beschreven.

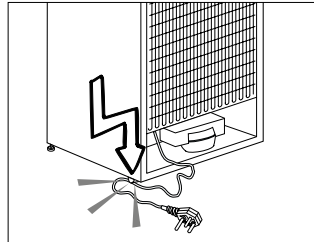
Bedoeld gebruik

- Dit apparaat is bedoeld voor gebruik in huishoudens en soortgelijke toepassingen, zoals
 - personeelskeukenzones in winkels, kantoren en andere werkomgevingen;
 - boerderijen en door klanten in hotels, motels en andere verblijfsomgevingen;
 - 'kamer met ontbijt'-omgevingen;
 - catering en soortgelijke niet-verkopende toepassingen.
- Het toestel mag niet buitenshuis worden gebruikt. Het is niet geschikt voor gebruik buitenshuis zelfs wanneer deze ruimte met een dak is afgedekt.
- Plaats geen vloeibare dranken in flessen of blikjes in het diepvriesvak. Deze zouden kunnen barsten.
- Raak ingevroren levensmiddelen niet met de hand aan; deze kunnen aan uw hand vastplakken.
- Bij het schoonmaken en ontdooien van de koelkast mogen geen stoom en stoomreinigers gebruikt worden. De stoom kan in contact komen met de elektrische onderdelen en kortsluiting of een elektrische schok veroorzaken.
- Gebruik geen onderdelen van uw koelkast zoals de deur als steun of opstapje.
- Gebruik geen elektrische apparaten binnen in de koelkast.
- Beschadig het koelcircuit, waar de koelvloeistof circuleert, niet door boor- of snijdgereedschap. De koelvloeistof kan naar buiten geblazen worden wanneer de gasleidingen van de verdamper, leidingverlengingen of oppervlaktecoatings worden doorboord en dit kan huidirritatie en oogletsel veroorzaken.
- Dek of blokkeer de ventilatieopeningen van uw koelkast met geen enkel materiaal.
- Reparaties aan elektrische apparatuur mogen alleen worden uitgevoerd door bevoegde personen. Reparaties die door onbevoegde personen worden uitgevoerd kunnen een risico voor de gebruiker opleveren.

Algemene veiligheid

- Wanneer u het product wenst af te voeren, raden wij u aan de bevoegde onderhoudsdienst te raadplegen om de benodigde informatie en bevoegde instanties te leren kennen.
- Raadpleeg uw bevoegde onderhoudsdienst voor alle vragen en problemen met betrekking tot de koelkast. Voer geen reparaties aan de koelkast uit en laat dit ook niet door iemand anders doen zonder de bevoegde onderhoudsdienst op de hoogte te stellen.
- Eet geen ijs of ijsblokjes onmiddellijk nadat u deze uit het diepvriesvak hebt gehaald. (Dit kan bevriezing in uw mond veroorzaken.)
- In geval van storing of tijdens onderhoud- of reparatiewerkzaamheden, sluit de stroomtoevoer van de koelkast af door de zekering uit te schroeven of de stekker van het apparaat uit te trekken.
- Bij het uittrekken van de stekker deze niet aan de kabel uittrekken.
- Plaats alcoholische dranken goed afgesloten en verticaal.

- Bewaar geen explosieve stoffen, zoals spuitbussen met een ontvlambaar drijfgas, in dit apparaat.
- Gebruik geen andere mechanische toestellen of andere middelen om het ontdooiingproces te versnellen dan die toestellen of middelen die door de fabrikant worden aangeraden.
- Dit apparaat is niet bedoeld voor gebruik door personen (inclusief kinderen) met verminderde fysieke, gevoels- of mentale vaardigheden of met gebrek aan ervaring en kennis, behalve wanneer zij onder supervisie staan of instructies hebben gekregen met betrekking tot de bediening van het apparaat door een persoon die voor hun veiligheid verantwoordelijk is.
- Gebruik geen beschadigde koelkast. Raadpleeg bij twijfel uw onderhoudsdienst.
- Elektrische veiligheid van uw koelkast wordt alleen gegarandeerd wanneer het aardingssysteem in uw huis aan de normen voldoet.
- Blootstelling van het product aan regen, sneeuw, zon en wind is gevaarlijk met betrekking tot de elektrische veiligheid.
- Gelieve contact op te nemen met de bevoegde onderhoudsdienst wanneer de stroomkabel is beschadigd enz. zodat dit voor u geen gevaar oplevert.
- Steek tijdens installatie nooit de stekker van de koelkast in de wandcontactdoos. Er bestaat een kans op overlijden of serieus letsel.
- Deze koelkast is uitsluitend ontworpen voor het bewaren van voedsel. Ze mag niet voor andere doeleinden worden gebruikt.
- Het label dat de technische specificatie van het product beschrijft, bevindt zich binnenin aan de linkerkant van de koelkast.
- Sluit de koelkast niet aan op elektronische energiebesparingssystemen gezien deze het product kunnen beschadigen.
- Indien de koelkast een blauw licht heeft, kijk niet naar het blauwe licht door optische apparaten.
- Indien, in handmatig bediende koelkasten, de stroomtoevoer losgekoppeld is, wacht dan minstens 5 minuten voordat u de stroom weer aansluit.
- Deze producthandleiding moet doorgegeven worden aan de volgende eigenaar van de koelkast indien er een andere eigenaar komt.
- Zorg ervoor dat bij het verplaatsen van de koelkast de elektriciteitskabel niet beschadigd geraakt. De kabel mag niet gedraaid worden ten einde brand te voorkomen. Er mogen geen zware objecten op de elektriciteitskabel geplaatst worden. Wanneer de stekker van de koelkast in het stopcontact is, raak het stopcontact niet met natte handen aan.



- Plaats de stekker van de koelkast niet in het stopcontact als dit stopcontact los is.
- Spat geen water rechtstreeks op de buitenste of binnenste delen van de koelkast omwille van de veiligheid.
- Sproei geen ontvlambare materialen zoals propaangas enz. nabij de koelkast omwille van het risico op brand en explosie.
- Plaats geen objecten gevuld met water bovenop de koelkast gezien dit kan resulteren in een elektrische schok of brand.

- Laad de koelkast niet te vol met teveel voedsel. Het teveel aan voedsel kan uit de koelkast vallen wanneer de deur geopend wordt en dit kan resulteren in verwondingen of schade aan de koelkast. Plaats geen objecten bovenop de koelkast gezien deze kunnen vallen wanneer de koelkastdeur geopend of gesloten wordt.
- Materialen die een bepaalde temperatuurvoorwaarde vereisen zoals vaccins, temperatuurgevoelige geneesmiddelen, wetenschappelijke materialen, enz. mogen niet in de koelkast bewaard worden.
- Bij niet gebruik gedurende een lagere periode moet de stekker van de koelkast uit het stopcontact gehaald worden.. Een probleem in de isolatie van de elektriciteitskabel kan resulteren in brand.
- De punt van de elektriciteitsstekker moet regelmatig gereinigd worden anders zou er brand kunnen ontstaan.
- De koelkast kan zich verplaatsen wanneer de verstelbare voetjes niet stevig op de grond staan. U kunt ervoor zorgen dat de koelkast stevig op de grond staat met behulp van de verstelbare voetjes.
- Als de koelkast een deurhendel heeft, trek niet aan de koelkast via de hendel wanneer het product verplaatst wordt gezien hierdoor de hendel los kan komen van de koelkast.
- Indien u uw apparaat naast een andere koelkast of vriezen laat werken moet de afstand tussen de apparaten minstens 8 cm bedragen. Anders kan condensatie ontstaan op de zijwanden die aan elkaar grenzen.
- De druk van de hoofdwatleiding mag niet lager zijn dan 1 bar. De druk van de hoofdwatleiding mag niet hoger zijn dan 8 bar.
- Gebruik alleen drinkwater.

Kinderbeveiliging

- Indien de deur een slot heeft, moet de sleutel buiten het bereik van kinderen worden gehouden.
- Kinderen moeten onder toezicht staan om ervoor te zorgen dat ze niet spelen met het apparaat.

HCA-waarschuwing

Als uw product is uitgerust met een koelsysteem dat R600a bevat:

Dit gas is ontvlambaar. Zorg daarom tijdens gebruik en transport dat het koelsysteem en de leidingen niet beschadigd raken. In het geval van schade: houd uw product weg van mogelijke ontstekingsbronnen die kunnen veroorzaken dat het product vuur vat en ventileer de ruimte waarin de unit is geplaatst.

Negeer de waarschuwing als uw product is uitgerust met een koelsysteem da R134a bevat.

U kunt zien welk gas in de productie van uw product is gebruikt op het identificatieplaatje. Dit bevindt zich binnenin aan de linkerkant.

Het product nooit in het vuur werpen.

Aanwijzingen ter besparing van energie

- Houd de deuren van uw koelkast niet lang open.
- Plaats geen warme levensmiddelen of dranken in de koelkast.
- Overlaad de koelkast niet zodat luchtcirculatie aan de binnenzijde niet geblokkeerd wordt.
- Plaats de koelkast niet in direct zonlicht of naast warmteafgevend apparaten zoals een oven, vaatwasser of radiator.
- Bewaar uw levensmiddelen in gesloten bakjes.
- Door het schap of de lade uit het vriesvak te verwijderen kan de maximale hoeveelheid etenswaren in het vriesvak van uw koelkast geplaatst worden. De waarde van het energieverbruik van uw koelkast werd bepaald toen het schap of de lade uit het diepvriesvak verwijderd was en bij een maximum hoeveelheid etenswaren. Het gebruik van een schap of lade overeenkomstig de vorm en grootte van de in te vriezen etenswaren is zonder risico.

3 Installatie

⚠ De fabrikant kan niet aansprakelijk worden gesteld indien de informatie van deze gebruiksaanwijzing niet in acht wordt genomen.

Aandachtspunten bij het opnieuw transporteren van uw koelkast

1. Voor transport dient de koelkast leeg en schoon te zijn.
2. In verband met schokken moeten de schappen, accessoires, groentelade enz. in uw koelkast met plakband vastgezet worden voordat de koelkast opnieuw wordt verpakt.
3. Verpakking moet worden vastgebonden met dikke tape en sterke touwen en de transportregels, gedrukt op de verpakking, moeten opgevolgd worden.

Vergeet niet...

Ieder gerecycled materiaal is een essentiële bron voor de natuur en onze nationale bronnen.

Indien u een bijdrage wilt leveren aan recycling van verpakkingsmateriaal, kunt u meer informatie krijgen bij de milieuinstanties of plaatselijke autoriteiten.

Alvorens de inwerkingstelling van uw koelkast

Alvorens u uw koelkast gaat gebruiken, controleert u of:

1. De 2 kunststof wiggen op de achterkant van de ventilatie plaatsen zoals in de volgende afbeelding weergegeven. Kunststof wiggen zullen de vereiste afstand geven tussen uw koelkast en de muur om luchtcirculatie mogelijk te maken.
2. U kunt de twee plastic wiggen installeren zoals weergegeven in de afbeelding. Kunststof wiggen zullen de vereiste afstand geven

tussen uw koelkast en de muur om luchtcirculatie mogelijk te maken. (De afbeelding dient alleen als voorbeeld en hoeft niet exact met uw product overeen te komen.)

3. Maak de binnenkant van de koelkast proper, zoals aanbevolen in het hoofdstuk "Onderhoud en reiniging".
4. Steek de stekker van de koelkast in het stopcontact. Wanneer de deur wordt geopend, zal het binnenlichtje aangaan.
5. U zult een geluid horen wanneer de compressor opstart. De vloeistof en de gassen die zich in het koelsysteem bevinden, zouden ook wat lawaai kunnen veroorzaken zelfs wanneer de compressor niet werkt. Dit is normaal.
6. De buitenkant van de koelkast kunnen warm aanvoelen. Dit is normaal. Deze oppervlakken zijn bedoeld om warm te worden om condensvorming te voorkomen.

Elektrische aansluiting

Sluit uw koelkast aan in een geaard stopcontact, beschermd door een zekering, met de juiste capaciteit.

Belangrijk:

- ⚠ De aansluiting moet conform de nationale voorschriften zijn.
- ⚠ De stekker van de stroomkabel moet na installatie eenvoudig bereikbaar zijn.
- ⚠ Spanning en toegestane zekeringbescherming worden gespecificeerd in het hoofdstuk "Technische specificaties".
- ⚠ De gespecificeerde spanning moet gelijk zijn aan uw netspanning.

- ⚠ Verlengkabels en meerwegstekkers mogen voor aansluiting niet worden gebruikt.
- ⚠ Een beschadigd netsnoer moet worden vervangen door een erkend elektricien.
- ⚠ Het apparaat mag niet in werking worden gesteld voordat het gerepareerd is! Gevaar op een elektrische schok!

Afvoeren van de verpakking

De verpakkingsmaterialen kunnen gevaarlijk zijn voor kinderen. Houd het verpakkingsmateriaal buiten bereik van kinderen of voer deze af conform afvalinstructies. Gooi het materiaal niet weg bij het normale huishoudelijk afval.

De verpakking van uw koelkast is vervaardigd uit herbruikbare materialen.

Afvoeren van uw oude koelkast

Voer uw oude koelkast af zonder het milieu op enige wijze te schaden.

- U kunt uw bevoegde dealer of het afvalcentrum van uw gemeente raadplegen over het afvoeren van uw koelkast.

Voordat u uw koelkast afvoert, snijd de elektrische stekker af. Indien het apparaat is uitgevoerd met deursluitingen, dit slot dan onbruikbaar maken om kinderen tegen gevaar te beschermen.

Plaatsing en installatie

⚠ Als de toegangsdeur van de kamer waarin de koelkast wordt geïnstalleerd niet breed genoeg is voor de koelkast om erdoor te passen, bel dan de bevoegde dienst zodat deze de deuren van uw koelkast kan verwijderen en de koelkast zijdelings door de deur kan.

1. Installeer uw koelkast op een plaats waar deze gemakkelijk kan worden gebruikt.

2. Houd uw koelkast uit de buurt van warmtebronnen, vochtige plaatsen en

direct zonlicht.

3. Er moet geschikte luchtventilatie rond uw koelkast zijn om een efficiënte werking te verkrijgen. Als de koelkast in een uitsparing in de muur wordt geplaatst, moet er minstens 5 cm afstand zijn ten opzichte van het plafond en minstens 5 cm ten opzichte van de muur. **Als de vloer met een tapijt bedekt is, moet uw product op 2,5 cm van de vloer staan.**

4. Plaats uw koelkast op een vlak vloeroppervlak om schokken te vermijden.

5. Plaats uw koelkast niet in omgevingstemperaturen onder 10 °C.

Het binnenlichtje vervangen

Wanneer het lichtje uitvalt, het apparaat uitschakelen aan het stopcontact en de hoofdstekker uittrekken. Volg onderstaande instructies om te controleren of het lampje op is.

Wanneer het lichtje nog steeds niet werkt, schaf dan een reservelichtje aan van 15 Watt (Max) met een schroefdop van het type E14 in uw plaatselijke elektriciteitswinkel en vervang het defecte lampje.

1. Schakel het apparaat uit aan het stopcontact en trek de hoofdstekker uit. Het is wellicht raadzaam om enkele schappen te verwijderen zodat u eenvoudiger bij het lampje kunt komen.

2. Verwijder het kapje, zie hiervoor de afbeelding (a-b).

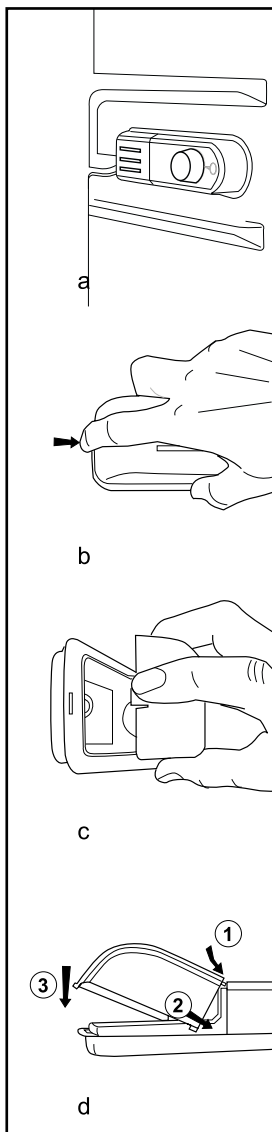
3. Vervang het lampje.

4. Plaats het kapje terug, zie hiervoor de afbeelding (c).

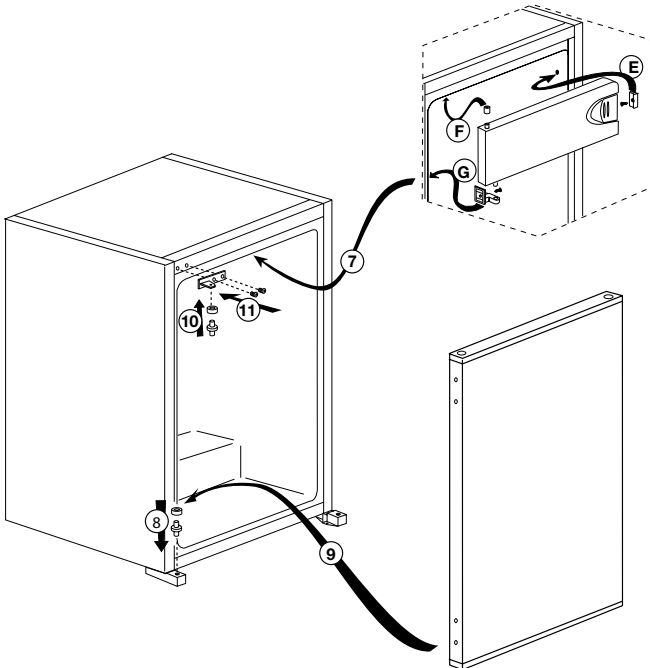
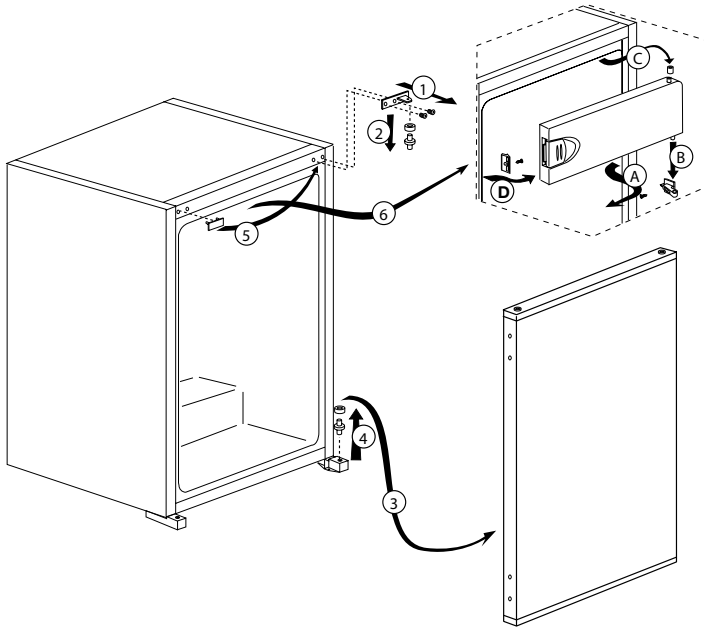
“Stevig aandrukken zodat het kapje goed geplaatst is.”

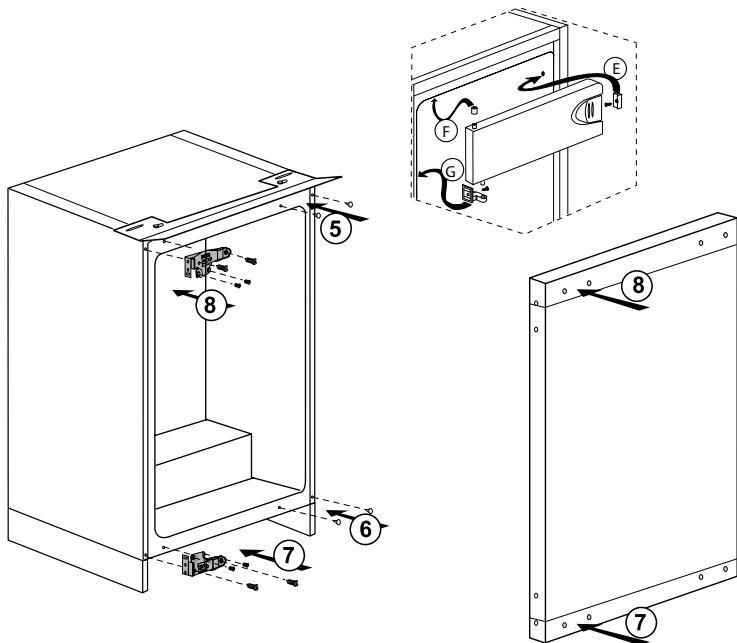
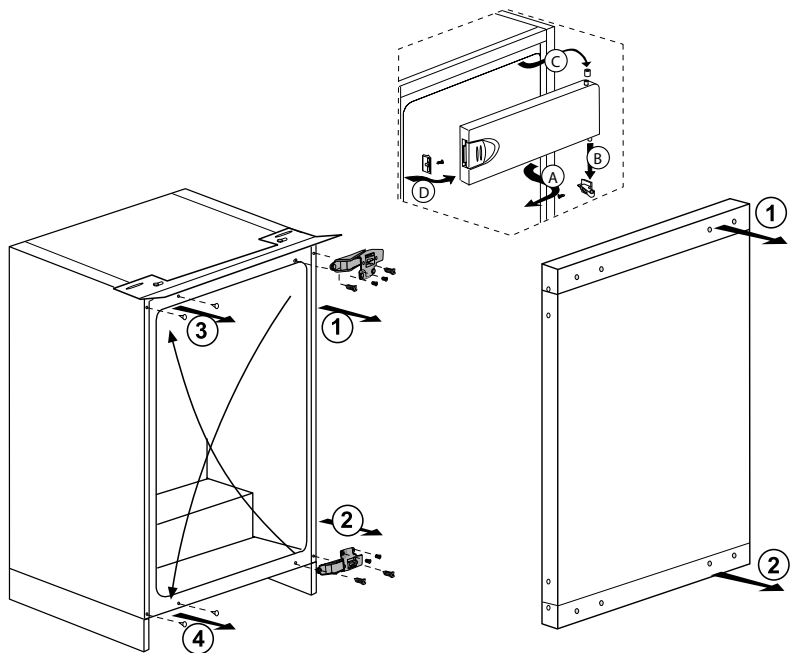
5. Het opgebrande lampje onmiddellijk afvoeren.

U vindt een reservelampje in elke goede elektrohandel of doe-het-zelfzaak.



De deuren omkeren





B 1752 F

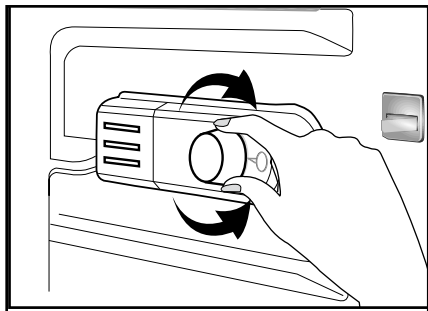
5

4 Voorbereiding

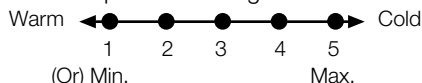
- i** Uw vriezer moet worden geïnstalleerd op minstens 30 cm afstand van warmtebronnen zoals kookplaten, centrale verwarming en kachels en op minstens 5 cm afstand van elektrische ovens. De koelkast mag niet in direct zonlicht worden geplaatst.
- i** De omgevingstemperatuur van de kamer waarin u de vriezer installeert dient minstens 10°C te zijn. In verband met efficiëntie wordt gebruik van uw vriezer in koudere omstandigheden niet aanbevolen.
- i** Controleer of de binnenzijde van uw koelkast volledig schoon is.
- i** Indien u twee producten naast elkaar wilt zetten, bijv. een koelkast en een vriezer dient u een decoratiekit te gebruiken welke een kleine mat en een decoratieonderdeel bevat. De mat wordt aan de zijkant van één van de producten aangebracht om een ruimte tussen de producten te creëren. Het decoratieonderdeel wordt tussen de twee producten aangebracht om het gat tussen de producten te verhullen (Afb. 2). De decoratiekit is geen deel van het product maar kan als een accessoire geleverd worden.
- i** Wanneer u uw vriezer voor de eerste keer in gebruik neemt, gelieve tijdens de eerste zes uur de volgende instructies in acht te nemen.
 - De deur niet regelmatig openen.
 - Koelkast moet in bedrijf gesteld worden zonder levensmiddelen.
 - De stekker van de vriezer niet uittrekken. Indien zich een stroomstoring voordoet buiten uw macht, zie de waarschuwingen in het deel "Aanbevolen oplossingen voor problemen".
- i** Originele verpakking en schuimmaterialen moeten worden bewaard voor toekomstig transport of verhuizen.

5 Gebruik van uw koelkast

Knop om thermostaat in te stellen



De werkingstemperatuur wordt geregeld via de temperatuursturing.



1 = Laagste koelinstelling (Warmste instelling)

5 = Hoogste koelinstelling (Koudste instelling)

(Of)

Min. = Laagste koelstand

(Warmste instelling)

Max. = Hoogste koelstand

(Koudste instelling)

De gemiddelde koelkasttemperatuur moet ongeveer +5 °C bedragen.

Kies een stand afhankelijk van de gewenste temperatuur.

Merk op dat er in het koelgebied verschillende temperaturen zijn.

Het koudste gedeelte bevindt zich onmiddellijk boven het groentevak.

De binnentemperatuur hangt ook af van de omgevingstemperatuur, hoe vaak de deur geopend wordt en de hoeveelheid voedsel die in de koelkast bewaard wordt.

Wanneer u de deur vaak opent, stijgt de temperatuur in de koelkast.

Het is daarom raadzaam om de deur na elk gebruik zo snel mogelijk te sluiten.

De binnentemperatuur van uw koelkast verandert om de volgende redenen;

- Seizoentemperaturen,
- Frequent openen van de deur of de deur lang open laten staan,
- Etenswaaren die in de koelkast wordt geplaatst zonder dat deze tot kamertemperatuur zijn afgekoeld.
- De plaats van de koelkast in de kamer (bijv. blootgesteld aan zonlicht)
- Met de thermostaat kunt u een als gevolg van deze redenen variërende binnentemperatuur aanpassen. De cijfers rond de thermostaatknop geven de mate van koeling aan.
- Wanneer de omgevingstemperatuur hoger is dan 32°C, draait u de thermostaatknop in de maximumpositie.
- Wanneer de omgevingstemperatuur lager is dan 25°C, draait u de thermostaatknop naar de minimum positie.


Koelen

Bewaren van voedsel

Het koelkastgedeelte dient voor het bewaren van verse etenswaren en dranken.

Diepvriezen


Voedsel invriezen

Het diepvriesgedeelte is met dit symbool  gemarkeerd.

U kunt het apparaat gebruiken om verse etenswaren in te vriezen of om diepvriesproducten te bewaren.

Raadpleeg de aanbevelingen op de verpakking van de etenswaren.

Bewaren van bevroren etenswaren

Het vak voor diepvriesproducten is gemarkeerd met dit  symbool.

Het vak voor diepvriesproducten is geschikt voor het bewaren van bevroren levensmiddelen. De aanbeveling voor bewaring, zoals vermeld op de verpakking van de diepvriesproducten, moet altijd in acht worden genomen.

Ontdooien

A) Koelkastgedeelte

Het koelkastgedeelte ontdooit volledig automatisch. Waterdruppels en een ijslaag van tot 7-8 mm kunnen zich voordoen op de binnenste achterwand van het koelkastgedeelte terwijl uw koelkast aan het koelen is. Zulke ijsvorming is normaal als een resultaat van het koelsysteem. De ijsvorming wordt ontdooid via een automatische ontdooiing met bepaalde tussentijden dankzij het automatische ontdooisysteem van de achterwand. De gebruiker moet de ijsvorming niet wegschrappen of de waterdruppels niet verwijderen.

Het water dat afkomstig is van het ontdooien loopt weg via de wateropvanggroef en stroomt in de verdampers via de afvoerleiding en verdampt daar zelf.

Controleer regelmatig om te zien of de afvoerleiding niet verstopt is en ontstop met behulp van een stokje in de opening indien nodig.

Het diepvriesgedeelte voert geen automatische ontdooiing uit om het rotten van voedsel te voorkomen.

B) Diepvriesgedeelte

Ontdooien is zeer eenvoudig en zonder vuiligheid, dankzij een speciale verzamelbak voor het dooiwater.

Ontdooi twee keer per jaar of wanneer er zich een ijslaag van ongeveer 7 mm (¼") heeft gevormd.

Om de ontdooiprocedure te beginnen, schakel het apparaat uit aan het stopcontact en trek de hoofdstekker uit.

Alle etenswaren moeten in een dikke laag kranten worden verpakt en in een koele ruimte worden bewaard (bijv. koelkast of provisiekamer).

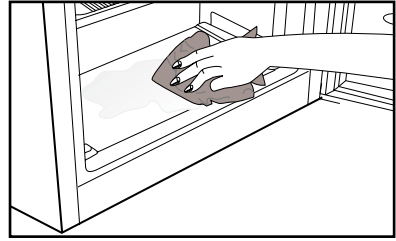
Om het ontdooiproces te versnellen kunt u voorzichtig een bakje warm water in het vriesvak plaatsen.

Gebruik geen puntige of scherpe voorwerpen, zoals messen of vorken, om het ijs te verwijderen.

Gebruik nooit haardrogers, elektrische verwarmingstoestellen of andere gelijkaardige elektrische toestellen om te ontdooien.

Spons het verzamelde dooiwater op de bodem van het diepvriesgedeelte op. Na het ontdooien de binnenkant goed droog maken.

Steek de stekker in het stopcontact en schakel de stroomtoevoer aan.



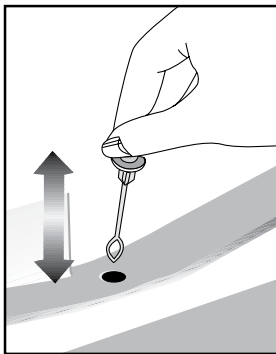
Uw product uitschakelen

Als uw thermostaat is uitgerust met de stand "0":






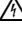



- Uw product stopt met werken wanneer u de thermostaatknop naar de stand "0" (nul) draait. Uw product zal pas weer starten wanneer u de thermostaatknop naar de stand "1" of naar een van de andere standen draait.

Als uw thermostaat is uitgerust met de stand "min":


- Trek de stekker van uw product uit het stopcontact om het uit te schakelen.



6 Onderhoud en reiniging

-  Gebruik nooit benzine, benzeen of gelijksoortige substanties voor het reinigingswerk.
-  Wij bevelen aan dat u de stekker uit het toestel trekt voordat u met reinigen begint.
-  Gebruik nooit scherpe voorwerpen, zeep, huishoudproducten, afwasmiddel of boenwas om te poetsen.
-  Gebruik lauwwarm water om de kast van uw koelkast schoon te maken en wrijf deze droog.
-  Gebruik een vochtige doek, uitgewrongen in een oplossing van één koffielepel natriumbicarbonaat voor 50 cl water, om de binnenkant schoon te maken en wrijf vervolgens droog.
-  Zorg ervoor dat er geen water in de lamp en andere elektrische onderdelen komt.
-  Als uw koelkast voor een lange periode niet zal worden gebruikt, trek dan de stroomkabel uit, verwijder al de etenswaren, maak de koelkast schoon en laat de deur op een kier staan.
-  Kijk de deurgrendels regelmatig na om u ervan te overtuigen dat ze schoon en vrij van etensresten zijn.
-  Om deurroosters te verwijderen, verwijder de inhoud en druk het deurrooster vervolgens eenvoudigweg naar boven vanaf de basis.

Bescherming van de plastic oppervlakken

-  Plaats geen vloeibare olie of in olie bereide maaltijden in uw koelkast in onafgedichte bakjes. Deze kunnen de kunststof oppervlakken van uw koelkast beschadigen. Mocht u olie morsen op de kunststof oppervlakken, reinig dit deel van het oppervlak dan direct met warm water en spoel af.

7 Aanbevolen oplossingen voor problemen

Controleer de volgende punten voordat u de onderhoudsdienst belt. Dit kan u tijd en geld besparen. Deze lijst omvat regelmatige klachten die niet voortkomen uit defect vakmanschap of materiaalgebruik. Het is mogelijk dat bepaalde functies die hier beschreven zijn niet tot uw product behoren.

De koelkast werkt niet.

- Zit de stekker van de koelkast goed in het stopcontact? Steek de stekker in het stopcontact.
- Is de zekering van het stopcontact waarop de koelkast is aangesloten of de hoofdzekering gesprongen? Controleer de zekering.

Condensvorming langs de wand van het koelgedeelte (MULTI ZONE, COOL CONTROL en FLEXI ZONE).

- Zeer koude omgevingsomstandigheden. Regelmatig openen en sluiten van de deur. Zeer vochtige omgevingsomstandigheden. Bewaren van levensmiddelen met vloeistof in open bakjes. De deur staat op een kier. Zet de thermostaat kouder.
- Zorg dat de deur minder lang open staat of dat deze minder vaak wordt geopend.
- Dek de eetwaar die in open bakjes wordt bewaard af met een daarvoor geschikt materiaal.
- Veeg condens af met een droge doek en controleer of condensvorming aanhoudt.

De compressor draait niet

- Thermische bescherming van de compressor kan springen gedurende plotselinge stroomuitval of afsluiting van de stroomtoevoer wanneer de druk van het koelmiddel in het koelsysteem van de koelkast niet in balans is. De koelkast gaat na ongeveer 6 minuten draaien. Neem contact op met de onderhoudsdienst wanneer uw koelkast na deze periode niet start.
- De koelkast zit in een ontdooicyclus. Dit is normaal voor een volledig automatisch ontdooiende koelkast. Ontdooicyclus vindt periodiek plaats.
- De stekker van uw koelkast steekt niet in het stopcontact. Zorg ervoor dat de stekker correct in het stopcontact is gestoken.
- Zijn de temperatuurinstellingen goed ingesteld?
- De stroom werd mogelijk onderbroken.

De koelkast werkt frequent of gedurende lange tijd.

- Uw nieuwe product kan breder zijn dan de vorige. Dit is normaal. Grote koelkasten werken gedurende langere tijd.
- De omgevingstemperatuur kan hoog zijn. Dit is normaal.
- De stekker van de koelkast kan onlangs ingestoken zijn of de koelkast kan zijn volgeladen met etenswaren. Het compleet afkoelen van de koelkast kan enkele uren langer in beslag nemen.
- Grote hoeveelheden warme levensmiddelen kunnen recentelijk in de koelkast zijn geplaatst. Warme levensmiddelen maken dat de koelkast langer werkt tot deze eetwaar de veilige bewaartemperatuur heeft bereikt.
- Deuren kunnen regelmatig geopend zijn of gedurende enige tijd op een kier hebben gestaan. De warme lucht die in de koelkast is binnengekomen maakt dat de koelkast langer werkt. Open de deuren minder vaak.
- De deur van het diepvries- of koelgedeelte kan op een kier hebben gestaan. Controleer of de deuren goed gesloten zijn.
- De koelkast is zeer koud ingesteld. Stel de koelkasttemperatuur hoger en wacht tot de temperatuur wordt bereikt.
- Deurafdichting van de koelkast of diepvriezer kan vuil, versleten, gebroken of niet goed geplaatst zijn. Maak de afdichting schoon of vervang deze. Een beschadigde/gebroken afdichting maakt dat de koelkast langer moet werken om de huidige temperatuur te handhaven.

Diepvriestemperatuur is erg laag terwijl de koelkasttemperatuur voldoende is.

- De diepvriestemperatuur is zeer koud ingesteld. Stel de diepvriezertemperatuur hoger in en controleer.

Koelkasttemperatuur is erg laag terwijl de diepvries temperatuur voldoende is.

- De koelkasttemperatuur is mogelijk zeer koud ingesteld. Stel de koelkasttemperatuur hoger in en controleer.

Etenswaren die in laden van het koelgedeelte worden bewaard, bevroren.

- De koelkasttemperatuur is mogelijk zeer koud ingesteld. Stel de koelkasttemperatuur hoger in en controleer.

Temperatuur in de koelkast of diepvriezer is zeer hoog.
<ul style="list-style-type: none"> • De koelkasttemperatuur is mogelijk zeer warm ingesteld. Koelkastinstelling is van invloed op de temperatuur van de diepvriezer. Verander de temperatuur van de koelkast of diepvriezer totdat de temperatuur van de koelkast of diepvriezer het gewenste niveau bereikt. • Deuren kunnen regelmatig geopend zijn of gedurende enige tijd op een kier hebben gestaan; doe ze minder vaak open. • De deur is mogelijk op een kier blijven staan; doe de deur volledig dicht. • Grote hoeveelheden warme levensmiddelen kunnen recentelijk in de koelkast zijn geplaatst. Wacht tot de koelkast of diepvriezer de gewenste temperatuur heeft bereikt. • De koelkast kan recentelijk ingeschakeld zijn. Het kost tijd om de koelkast volledig te laten afkoelen.
Het werkingsgeluid neemt toe wanneer de koelkast werkt.
<ul style="list-style-type: none"> • De werking van de koelkast kan veranderen als gevolg van wijzigingen in de omgevingstemperatuur. Dit is normaal en geen defect.
Vibratie of geluid.
<ul style="list-style-type: none"> • De vloer is niet gelijk of is zwak. De koelkast kantelt een beetje wanneer langzaam wordt bewogen. Zorg dat de vloer vlak vlak en sterk genoeg is om de koelkast te dragen. • Het geluid kan worden veroorzaakt door voorwerpen die op de koelkast zijn geplaatst. Voorwerpen bovenop de koelkast moeten worden verwijderd.
Een geluid van morsende of sprayende vloeistof komt uit de koelkast.
<ul style="list-style-type: none"> • Vloeistof- en gasstromen vinden plaats conform de werkingsprincipes van uw koelkast. Dit is normaal en geen defect.
Een geluid van wind die blaast.
<ul style="list-style-type: none"> • Er worden ventilatoren gebruikt om de koelkast te koelen. Dit is normaal en geen defect.
Condens op de binnenwanden van de koelkast.
<ul style="list-style-type: none"> • Met warm en vochtig weer neemt ijs- en condensvorming toe. Dit is normaal en geen defect. • De deuren kunnen op een kier hebben gestaan, zorg ervoor dat de deuren volledig gesloten zijn. • Deuren kunnen regelmatig geopend zijn of gedurende enige tijd op een kier hebben gestaan; doe ze minder vaak open.
Vocht aan de buitenkant van de koelkast of tussen de deuren.
<ul style="list-style-type: none"> • De lucht is mogelijk vochtig; dit is vrij normaal bij vochtig weer. Wanneer de vochtigheid minder wordt, zal de condens verdwijnen.

Slechte geur binnenin de koelkast.

- De binnenkant van de koelkast moet gereinigd worden. Maak de binnenkant van de koelkast schoon met een spons met lauw of sodawater.
- Sommige bakjes of verpakkingsmaterialen kunnen de geur veroorzaken. Gebruik een ander bakje of ander soort verpakkingsmateriaal.

De deur sluit niet.

- Het kan zijn dat voedselpakketjes veroorzaken dat de deur niet sluit. Verplaats de pakketjes die de deur belemmeren.
- De koelkast staat niet volledig waterpas op de vloer en wiebelt wanneer ze lichtjes wordt verplaatst. Stel de hoogteschroeven anders in.
- De vloer is niet gelijk of stevig. Zorg dat de vloer vlak is en de koelkast kan dragen.

Groenteladen zitten vast.

- De levensmiddelen kunnen de bovenzijde van de lade raken. Herschik de levensmiddelen in de lade.

Lea este manual antes de utilizar el frigorífico.

Estimado cliente:

Esperamos que este aparato, que ha sido fabricado en plantas dotadas de la más avanzada tecnología y sometido a los más estrictos procedimientos de control de calidad, le preste un servicio eficaz.




Para ello, le recomendamos que lea atentamente el presente manual antes de utilizar el aparato, y que lo tenga a mano para futuras consultas.

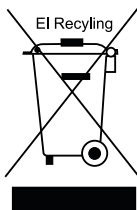
Este manual

- Le ayudará a usar el electrodoméstico de manera rápida y segura.
 - Lea el manual antes de instalar y poner en funcionamiento el aparato.
 - Siga las instrucciones, en particular las relacionadas con la seguridad.
 - Conserve el manual en un sitio de fácil acceso, ya que podría necesitarlo en el futuro.
 - Lea también los demás documentos suministrados junto con el aparato.
- Tenga en cuenta que este manual también podría ser válido para otros modelos.

Símbolos y sus descripciones

El presente manual de instrucciones emplea los siguientes símbolos:

-  Información importante o consejos útiles sobre el funcionamiento.
-  Advertencia sobre situaciones peligrosas para la vida y la propiedad.
-  Advertencia acerca de la tensión eléctrica.



Este producto incorpora el símbolo de recogida selectiva de residuos de equipos eléctricos y electrónicos.

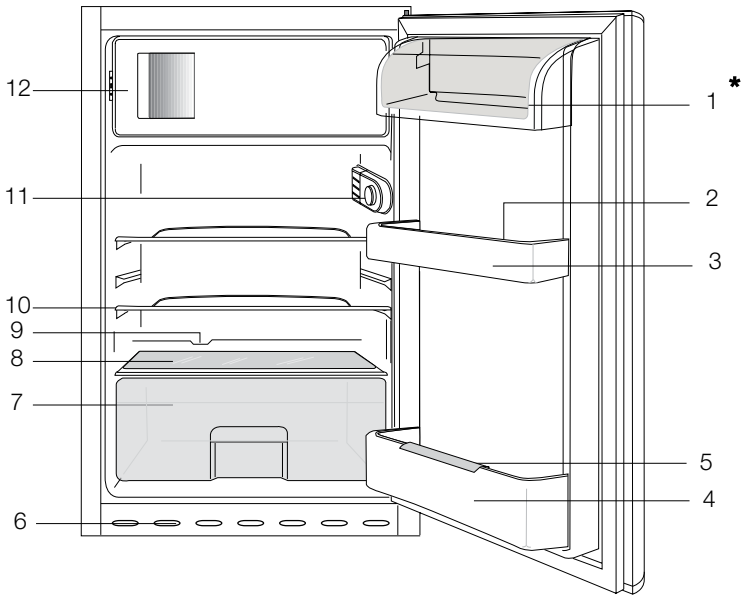
Ello significa que este producto debe ser manipulado teniendo en cuenta la Directiva Europea 2002/96/EC, en orden de ser reciclado o recuperado para minimizar su impacto en el medio ambiente. Para más información rogamos contacte con las autoridades locales o regionales más próximas a su domicilio.

Los productos electrónicos no incluidos en el proceso de recogida selectiva son potencialmente peligrosos para el medio ambiente y la salud humana debido a la presencia de ciertas sustancias.

ÍNDICE

1 Su frigorífico	3	4 Preparación	13
2 Avisos importantes sobre la seguridad	4	5 Uso del frigorífico	14
Finalidad prevista.....	4	Botón de ajuste del termostato.....	14
Productos equipados con dispensador de agua:	6	Refrigeración	15
Seguridad infantil.....	6	Congelación	15
Advertencia sobre la seguridad de la salud	7	Deshielo	15
Consejos para el ahorro de energía ...	7	Parada del aparato	16
3 Instalación	8	6 Mantenimiento y limpieza	17
Cuestiones a considerar a la hora de transportar el frigorífico	8	Protección de las superficies de plástico	17
Antes de usar el frigorífico.....	8	7 Sugerencias para la solución de problemas	18
Conexiones eléctricas.....	8		
Eliminación del embalaje.....	9		
Eliminación de su viejo frigorífico.....	9		
Colocación e instalación	9		
Sustitución de la bombilla interior	10		
Inversión de las puertas	11		

1 Su frigorífico



1. Secciones de mantequillas y quesos
2. Huevera
3. Estantes de la puerta
4. Botellero
5. Estante para botellas
6. Parrilla de ventilación
7. Cajón de frutas y verduras
8. Tapa del cajón de frutas y verduras
9. Canal de recogida del agua de deshielo
10. Estantes móviles
11. Luz interior y mando del termostato
12. a.) Compartimento de congelación y bandeja de hielo (para modelos *******) b.) Compartimento de alimentos congelados y bandeja de hielo (para modelos ******)

*** opcional**

i Las ilustraciones incluidas en el presente manual de instrucciones son esquemáticas y puede que no se adecúen a su aparato con exactitud. Si alguno de los elementos reflejados no se corresponde con el aparato que usted ha adquirido, entonces será válido para otros modelos.

2 Avisos importantes sobre la seguridad

Lea con atención la siguiente información. No tener en cuenta dicha información podría acarrear lesiones o daños materiales. En tal caso, las garantías y los compromisos de fiabilidad quedarían anulados.

La vida útil de la unidad adquirida es de 10 años. Éste es el período durante el cual se garantiza la disponibilidad de las piezas de repuesto para la unidad.

Finalidad prevista

Este aparato está diseñado para usarse en los siguientes entornos:

- interiores y entornos cerrados tales como domicilios particulares;
 - entornos cerrados de trabajo tales como almacenes u oficinas;
 - zonas de servicio cerradas tales como casas rurales, hoteles o pensiones.
- Este aparato no se debe usar al aire libre.

Seguridad general

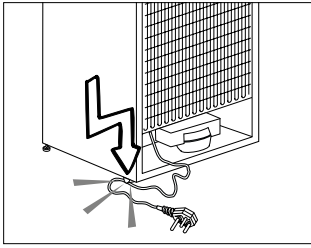
- Cuando desee deshacerse del aparato, le recomendamos que solicite a su servicio técnico autorizado la información necesaria a este respecto, así como la relación de entidades locales a las que puede dirigirse.
- En caso de dudas o problemas, diríjase a su servicio técnico autorizado. No intente reparar el frigorífico sin consultar con el servicio técnico, ni deje que nadie lo haga.
- Para aparatos equipados con un compartimento congelador: no

consume los helados o cubitos de hielo inmediatamente después de sacarlos del compartimento congelador, ya que podría sufrir daños en su boca a causa del frío.

- Para aparatos equipados con un compartimento congelador: no deposite bebidas embotelladas o enlatadas en el compartimento congelador, ya que podrían estallar.
- No toque con la mano los alimentos congelados, ya que podrían adherirse a ella.
- Desenchufe su frigorífico antes de proceder a su limpieza o deshielo.
- No utilice nunca materiales de limpieza que usen vapor para limpiar o descongelar el frigorífico. El vapor podría entrar en contacto con los elementos eléctricos y causar cortocircuitos o descargas eléctricas.
- No utilice nunca elementos del frigorífico tales como la puerta como medio de sujeción o como escalón.
- No utilice aparatos eléctricos en el interior del frigorífico.
- Evite dañar el circuito del refrigerante con herramientas cortantes o de perforación. El refrigerante que puede liberarse si se perforan los canales de gas del evaporador, los conductos o los recubrimientos de las superficies causa irritaciones en la piel y lesiones en los ojos.
- No cubra ni bloquee los orificios de ventilación de su frigorífico con ningún material.
- Deje la reparación de los aparatos eléctricos únicamente en manos

de personal autorizado. Las reparaciones realizadas por personas incompetentes generan riesgos para el usuario.

- En caso de fallo o cuando vaya a realizar cualquier operación de reparación o mantenimiento, desconecte el frigorífico de la corriente apagando el fusible correspondiente o bien desenchufando el aparato.
- No desenchufe el aparato de la toma de corriente tirando del cable.
- Coloque las bebidas de mayor graduación alcohólica juntas y en posición vertical.
- No almacene en el frigorífico aerosoles que contengan sustancias inflamables o explosivas.
- No utilice dispositivos mecánicos u otros medios para acelerar el proceso de deshielo distintos de los recomendados por el fabricante.
- Este aparato no debe ser utilizado por niños o por personas con sus facultades físicas, sensoriales o mentales reducidas o bien que carezcan de la experiencia y los conocimientos necesarios, a menos que lo hagan bajo la supervisión de personas responsables de su seguridad o bien tras haber recibido instrucciones de uso por parte de dichas personas.
- No utilice un frigorífico que haya sufrido daños. Consulte con el servicio de atención al cliente en caso de duda.
- La seguridad eléctrica de su frigorífico sólo estará garantizada si el sistema de toma de tierra de su domicilio se ajusta a los estándares.
- Desde el punto de vista de la seguridad eléctrica, es peligroso exponer el aparato a la lluvia, la nieve o el viento.
- Póngase en contacto con el servicio técnico autorizado en caso de que el cable de alimentación principal se dañe, para evitar cualquier peligro.
- Nunca enchufe el frigorífico en la toma de corriente durante su instalación. Existe peligro de lesiones graves e incluso de muerte.
- Este frigorífico está únicamente diseñado para almacenar alimentos. No debe utilizarse para ningún otro propósito.
- La etiqueta que contiene los datos técnicos del frigorífico se encuentra en la parte interior izquierda del mismo.
- Jamás conecte el frigorífico a sistemas de ahorro de electricidad, ya que podría dañarlo.
- Si el frigorífico está equipado con una luz azul, no la mire a través de dispositivos ópticos.
- En los frigoríficos de control manual, si se produce un corte del fluido eléctrico espere al menos 5 minutos antes de volver a ponerlo en marcha.
- Cuando entregue este aparato a un nuevo propietario, asegúrese de entregar también este manual de instrucciones.
- Tenga cuidado de no dañar el cable de alimentación al transportar el frigorífico. Doblar el cable podría causar un incendio. Nunca deposite objetos pesados encima del cable de alimentación. No toque el enchufe con las manos mojadas para conectar el aparato.



- No enchufe el refrigerador si el enchufe no encaja con firmeza en la toma de corriente de la pared.
- Por razones de seguridad, no pulverice agua directamente en las partes interiores o exteriores de este aparato.
- No rocíe cerca del refrigerador sustancias que contengan gases inflamables tales como gas propano para evitar riesgos de incendio y explosiones.
- Nunca coloque recipientes con agua sobre el refrigerador, ya que podría provocar una descarga eléctrica o un incendio.
- No deposite cantidades excesivas de alimentos en el refrigerador. Si lo hace, al abrir la puerta del refrigerador los alimentos podrían caerse y provocar lesiones personales o dañar el refrigerador. Nunca coloque objetos sobre el refrigerador, ya que podrían caer al abrir o cerrar la puerta.
- No guarde en el refrigerador productos que necesiten un control preciso de la temperatura tales como vacunas, medicamentos sensibles al calor, materiales científicos, etc.
- Desenchufe el refrigerador si no lo va a utilizar durante un periodo prolongado de tiempo. Un problema en el cable de alimentación podría causar un incendio.

- Limpie regularmente la punta del enchufe, ya que de lo contrario puede provocar un incendio.
- Limpie regularmente la punta del enchufe con un paño seco; de lo contrario podría provocarse un incendio.
- El refrigerador podría moverse si los pies no están adecuadamente asentados en el suelo. Fijar adecuadamente los pies del refrigerador en el suelo puede ayudar a evitar que se mueva.
- Cuando transporte el refrigerador, no lo aferre del asa de la puerta. De lo contrario, podría romperla.
- Cuando tenga que colocar el refrigerador cerca de otro refrigerador o congelador, deberá dejar un espacio entre ambos aparatos de 8 cm como mínimo. De lo contrario, podría formarse humedad en las paredes adyacentes.

Productos equipados con dispensador de agua:

La presión de la red de suministro de agua debe ser de un mínimo de 1 bar. La presión de la red de suministro de agua debe ser de 8 bares como máximo.

- Use agua potable únicamente.

Seguridad infantil

- Si la puerta tiene cerradura, mantenga la llave fuera del alcance de los niños.
- Vigile a los niños para evitar que manipulen el aparato.

Advertencia sobre la seguridad de la salud

Si el sistema de refrigeración de su aparato contiene R600a:

Este gas es inflamable. Por lo tanto, procure no dañar el sistema de enfriamiento ni sus conductos durante el uso o el transporte del aparato. En caso de daños, mantenga el aparato alejado de fuentes potenciales de ignición que puedan provocar que éste sufra un incendio, y ventile la estancia en la que se encuentre el aparato.

Ignore esta advertencia si el sistema de refrigeración de su aparato contiene R134a.

El tipo de gas utilizado en el aparato se indica en la placa de datos ubicada en la pared interior izquierda del frigorífico.

Jamás arroje el aparato al fuego.

disponer del máximo volumen para el depósito de alimentos retirando el estante o el cajón del congelador. El consumo energético que se indica para su frigorífico se ha calculado retirando el estante o el cajón del congelador y en condiciones de máxima carga. No existe ningún riesgo en la utilización de un estante o cajón según las formas o tamaños de los alimentos que se van a congelar.

- Descongele los alimentos congelados en el compartimento frigorífico; ahorrará energía y preservará la calidad de los alimentos.

Consejos para el ahorro de energía

- No deje las puertas del frigorífico abiertas durante periodos largos de tiempo.
- No introduzca alimentos o bebidas calientes en el frigorífico.
- No sobrecargue el frigorífico, ya que entorpecería la circulación del aire en su interior.
- No instale el frigorífico de forma que quede expuesto a la luz solar directa o cerca de aparatos que irradian calor tales como hornos, lavavajillas o radiadores.
- Procure depositar los alimentos en recipientes cerrados.
- Productos equipados con compartimento congelador: puede

3 Instalación

⚠ Recuerde que el fabricante declina toda responsabilidad en caso de incumplimiento de las instrucciones de este manual.

Cuestiones a considerar a la hora de transportar el frigorífico

1. El frigorífico debe estar vacío y limpio antes de proceder a su transporte.
2. Los estantes, accesorios, el cajón de frutas y verduras, etc., deben sujetarse con cinta adhesiva antes de embalar el frigorífico para evitar que se muevan.
3. Encinte el frigorífico una vez embalado con cinta gruesa y fíjelo con cuerdas resistentes. Siga las reglas de transporte que encontrará impresas en el propio embalaje.

No olvide que:

El reciclaje de materiales es un asunto de vital importancia para la naturaleza y para los recursos del país.

Si desea contribuir al reciclaje de los materiales de embalaje, solicite más información a los responsables medioambientales de su zona o a las autoridades locales.

Antes de usar el frigorífico

Antes de empezar a usar el frigorífico, verifique lo siguiente:

1. El interior del frigorífico está seco y el aire puede circular con libertad por su parte posterior.
2. Introduzca 2 cuñas plásticas en la ventilación trasera, como se muestra en la figura siguiente. Las cuñas de

plástico proporcionarán la distancia requerida entre su frigorífico y la pared para una correcta circulación del aire.

3. Limpie el interior del frigorífico de la forma recomendada en la sección “Mantenimiento y Limpieza”.
4. Enchufe el frigorífico a la toma de corriente. Al abrir la puerta del frigorífico, la luz interior del compartimento frigorífico se enciende.
5. Se oye un sonido cuando arranca el compresor. El líquido y los gases contenidos en el sistema de refrigeración pueden también generar ruidos, incluso aunque el compresor no esté funcionando, lo cual es normal.
6. Es posible que las aristas delanteras del aparato se noten calientes al tacto. Cosa que es perfectamente normal. Estas zonas deben permanecer calientes para evitar la condensación.

Conexiones eléctricas

Conecte el frigorífico a una toma de corriente provista de toma de tierra y protegida por un fusible de la capacidad adecuada.

Importante:

- La conexión debe cumplir con las normativas nacionales.
- El enchufe de alimentación debe ser fácilmente accesible tras la instalación.
- La tensión especificada debe corresponder a la tensión de la red eléctrica.

- No use cables de extensión ni enchufes múltiples para conectar la unidad.

⚠ Todo cable de alimentación dañado debe ser reemplazado por un electricista cualificado.

⚠ No ponga en funcionamiento el aparato hasta que esté reparado, ya que existe peligro de cortocircuito.

Eliminación del embalaje

Los materiales de empaque pueden ser peligrosos para los niños. Manténgalos fuera de su alcance o deshágase de ellos clasificándolos según las instrucciones para la eliminación de residuos. No los tire junto con los residuos domésticos normales.

El embalaje del frigorífico se ha fabricado con materiales reciclables.

Eliminación de su viejo frigorífico

Deshágase de su viejo frigorífico de manera respetuosa con el medio ambiente.

- Consulte las posibles alternativas a un distribuidor autorizado o al centro de recogida de residuos de su municipio.

Antes de proceder a la eliminación del frigorífico, corte el enchufe y, si las puertas tuvieran cierres, destrúyalos para evitar que los niños corran riesgos.

Colocación e instalación

⚠ Si la puerta de entrada a la estancia donde va a instalar el frigorífico no es lo suficientemente ancha como para permitir su paso, solicite al servicio técnico que retire las puertas del frigorífico y lo pase de lado a través de la puerta.

1. Instale el frigorífico en un lugar en el que pueda utilizarse con comodidad.

2. Mantenga el frigorífico alejado de fuentes de calor y lugares húmedos y evite su exposición directa a la luz solar.

3. Para que el frigorífico funcione con la máxima eficacia, debe instalarse en una zona que disponga de una ventilación adecuada. Si el frigorífico va a instalarse en un hueco de la pared, debe dejarse un mínimo de 5 cm de separación con el techo y de 5 cm con las paredes. **Si el suelo está cubierto con una alfombra, deberá elevar el frigorífico 2,5 cm del suelo.**

4. Coloque el frigorífico sobre una superficie lisa para evitar sacudidas.

5. No instale el frigorífico en estancias cuya temperatura ambiente sea inferior a 10 °C.

Sustitución de la bombilla interior

En caso de que la bombilla deje de funcionar, desenchufar el frigorífico retirando el enchufe de la toma de corriente. Seguir las siguientes instrucciones para comprobar si la bombilla se ha aflojado.

Si la luz sigue sin funcionar, compre una bombilla de 15 vatios (máx.) de casquillo de rosca E14 y colóquela.

1. Desconecte el frigorífico retirando para ello el enchufe de la toma de corriente. Puede ser útil retirar los estantes para acceder más fácilmente.

2. Retire la cubierta difusora de luz de la forma que se muestra en la figura (a-b).

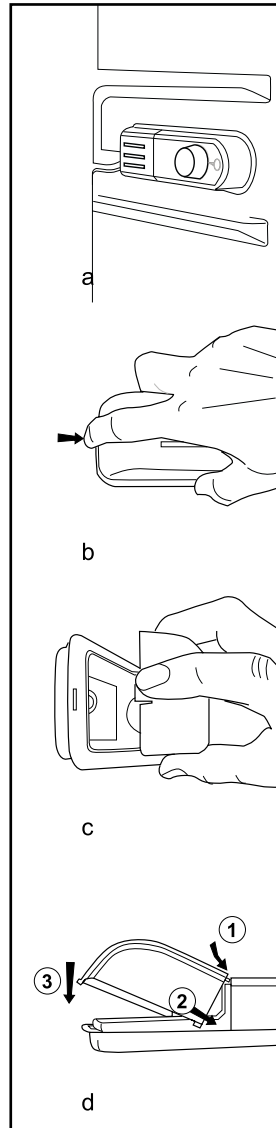
3. Sustituya la bombilla fundida.

4. Vuelva a colocar la cubierta difusora de luz de la forma que se muestra en la figura (c).

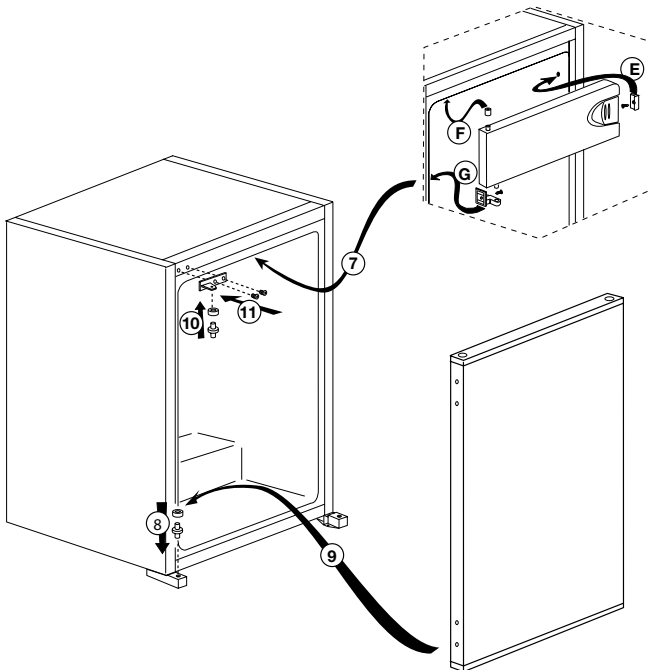
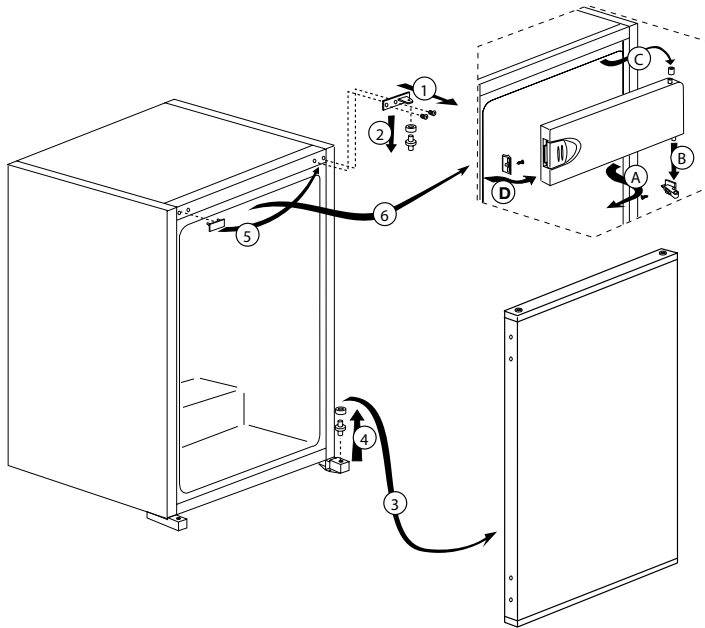
Empujar con firmeza la cubierta para asegurarse de colocarla correctamente.

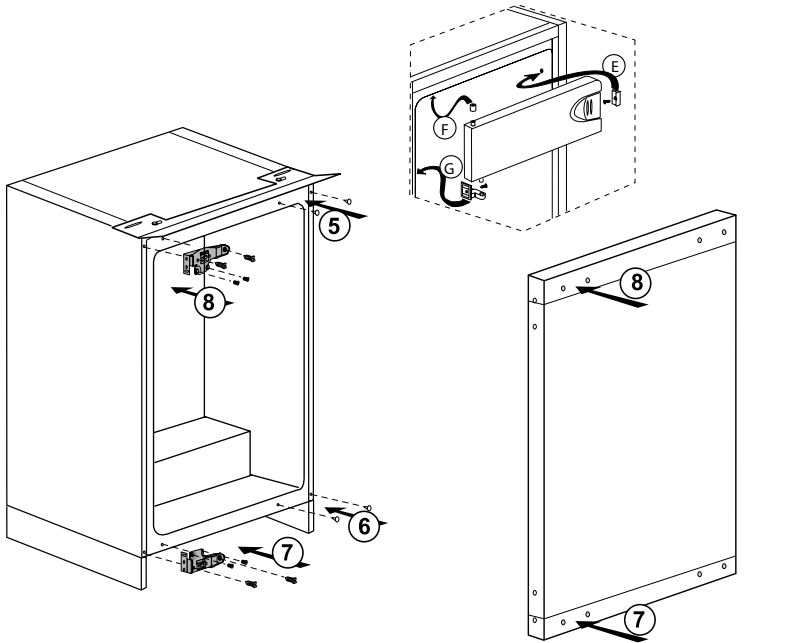
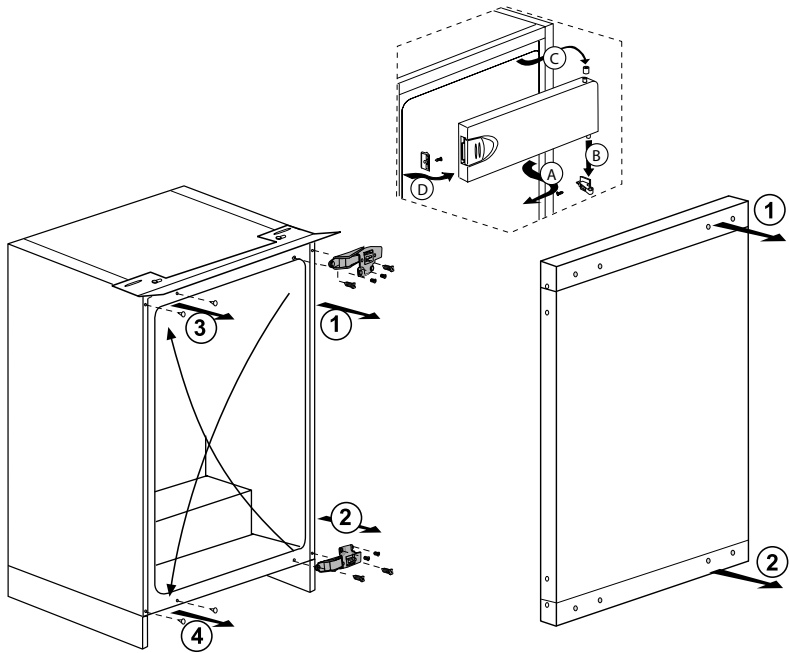
5. Deshágase con cuidado la bombilla defectuosa.

Puede obtener fácilmente bombillas de repuesto en cualquier buen almacén de material eléctrico o tienda de bricolaje.



Inversión de las puertas





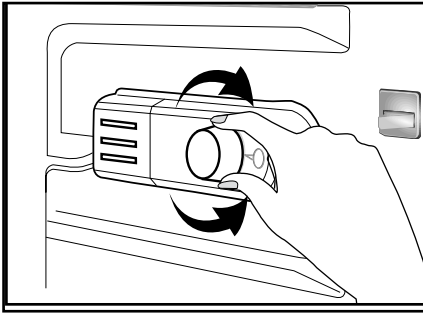
B 1752 F

4 Preparación

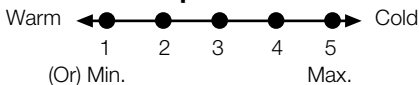
- i** El frigorífico debe instalarse dejando una separación no inferior a 30 cm respecto a fuentes de calor tales como quemadores, hornos, calefacciones o estufas y no inferior a 5 cm con respecto a hornos eléctricos, evitando asimismo su exposición directa a la luz solar.
- i** La temperatura ambiente de la estancia donde instale el frigorífico no será inferior a 10 °C. A temperaturas inferiores, el frigorífico puede ver reducida su eficacia.
- i** Verifique que el interior del frigorífico esté bien limpio.
- i** En caso de que vaya a instalar dos frigoríficos uno al lado del otro, debe dejar una separación no inferior a 2 cm entre ellos.
- i** Al utilizar el frigorífico por primera vez, siga las siguientes instrucciones referentes a las primeras seis horas.
 - No abra la puerta con frecuencia.
 - No deposite alimentos en el interior.
 - No desenchufe el frigorífico. En caso de corte del suministro eléctrico ajeno a su voluntad, consulte las advertencias de la sección "Sugerencias para la solución de problemas".
- i** Guarde el embalaje original para futuros traslados.

5 Uso del frigorífico

Botón de ajuste del termostato



La temperatura de funcionamiento se regula mediante el mando de control de temperatura.



1 = Nivel mínimo de refrigeración (Posición de máximo calor)

5 = Nivel máximo de refrigeración (Posición de máximo frío)

(O)

Mín. = Nivel mínimo de refrigeración

(Posición de máximo calor)

Máx. = Nivel máximo de refrigeración

(Posición de máximo frío)

La temperatura media en el interior del frigorífico debería ser de unos +5 °C.

Seleccione el ajuste en función de la temperatura deseada.

Tenga en cuenta que habrá diferentes temperaturas en el área de refrigeración.

La zona más fría se encuentra situada justo encima del compartimento de las verduras.

La temperatura interior depende asimismo de la temperatura ambiente, la frecuencia de apertura de la puerta y

la cantidad de alimentos almacenados.

Una apertura frecuente de la puerta provoca una subida de la temperatura del interior.

Por este motivo, se recomienda cerrar la puerta lo antes posible después de cada uso.

La temperatura interior del frigorífico varía por diversos motivos, entre ellos:

- Temperatura de la estación.
- Abrir la puerta con frecuencia y dejarla abierta durante mucho tiempo.
- Introducir en el frigorífico alimentos sin esperar que su temperatura alcance la temperatura ambiente
- La ubicación del frigorífico en la estancia (por ejemplo, que esté expuesto a la luz solar)
- Puede ajustar las variaciones de la temperatura interior debidas, por ejemplo, a la utilización del termostato. Los números alrededor del botón del termostato indican los grados de enfriamiento.
- Si la temperatura ambiente es superior a 32 °C, coloque el termostato al máximo.
- Si la temperatura ambiente es inferior a 25 °C, coloque el termostato al mínimo.


Refrigeración

Almacenamiento de los alimentos

El compartimento frigorífico está destinado al almacenamiento de alimentos frescos y bebidas por un periodo de tiempo breve.

Congelación

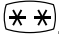
Congelación de alimentos

El compartimento de congelación aparece marcado con el símbolo .

El electrodoméstico puede utilizarse para congelar alimentos frescos así como para almacenar preparados precongelados.

Por favor, consulte las recomendaciones que figuran en el envase de los alimentos.

Almacenamiento de alimentos congelados

El compartimento de alimentos congelados aparece marcado con el símbolo .

El compartimento de alimentos congelados es adecuado para el almacenamiento de alimentos precongelados. Se deben seguir siempre las recomendaciones para el almacenamiento que figuran en el envase de los alimentos.

Deshielo

A) Compartimento frigorífico

El compartimento frigorífico realiza un deshielo totalmente automático. Se pueden producir gotas de agua y una capa de hielo de hasta 7-8 mm en la pared trasera del compartimento del refrigerador durante su enfriamiento. Esto es normal, como resultado del sistema de enfriamiento. La escarcha se elimina con un desescarche automático en ciertos intervalos de tiempo, gracias al sistema de desescarche automático de la pared trasera. El usuario no tendrá que raspar la capa de hielo o eliminar las gotas de agua.

El agua resultante del deshielo pasa por la ranura de recogida de agua y fluye al evaporizador a través del tubo de drenaje, donde se evapora.

Compruebe con regularidad los posibles atascos del tubo de drenaje y límpielo introduciendo un palillo en el orificio, si es necesario.

El compartimento del congelador no realiza ningún desescarche automático, para evitar cualquier efecto sobre los alimentos congelados.

B) Compartimento congelador

El deshielo es muy sencillo y no presenta complicaciones gracias al especial recipiente de recogida.

Deshelar dos veces al año o cuando se forme una capa de hielo de unos 7 mm. Para iniciar el proceso de deshielo, desconectar el frigorífico y retirar el enchufe de la toma de corriente.

Los alimentos deben envolverse en varias capas de papel de periódico y guardarse en un lugar frío (por ejemplo, un frigorífico o despensa).

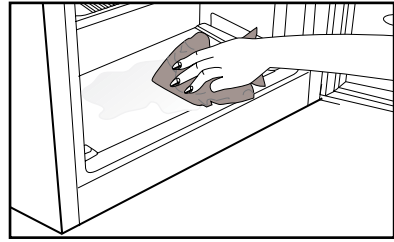
Para acelerar el deshielo, se pueden colocar cuidadosamente recipientes con agua caliente en el congelador.

No utilice nunca objetos con punta o bordes afilados, como cuchillos o tenedores, para retirar el hielo.

No utilizar nunca secadores de pelo, calentadores eléctricos u otros aparatos eléctricos para forzar el desescarchado.

Recoja con una esponja el agua de deshielo depositada en la parte inferior del compartimento del congelador. Una vez finalizado el deshielo, secar completamente el interior.

Inserte el enchufe en la toma de corriente y encender el interruptor.



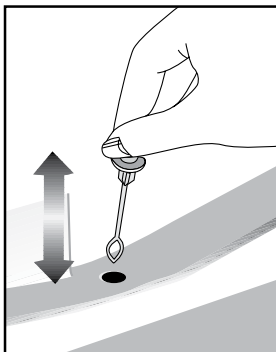
Parada del aparato

Si su termostato dispone de posición "0":

- Su aparato dejará de funcionar al poner el botón del termostato en la posición "0" (cero). El aparato no se pondrá en marcha hasta que no sitúe de nuevo el botón del termostato en la posición "1" o en cualquiera de las demás posiciones.

Si su termostato dispone de posición "min":

- Desenchufe el aparato para detener su funcionamiento.



6 Mantenimiento y limpieza

- ⚠ No utilice nunca gasolina, benceno o sustancias similares para la limpieza.
- ⚠ Le recomendamos desenchufar el aparato antes de proceder a su limpieza.
- ⚠ No utilice nunca para la limpieza instrumentos afilados o sustancias abrasivas, jabones, limpiadores domésticos, detergentes ni ceras abrillantadoras.
- ℹ Limpie el armario del frigorífico con agua tibia y séquelo con un paño.
- ℹ Para limpiar el interior, utilice un paño humedecido en un vaso grande de agua con una cucharadita de bicarbonato sódico disuelta y séquelo con un trapo.
- ⚠ Asegúrese de que no penetre agua en el alojamiento de la lámpara ni en otros elementos eléctricos.
- ⚠ Si no va a utilizar el frigorífico durante un periodo prolongado, desenchúfelo, retire todos los alimentos, límpielo y deje la puerta entreabierta.
- ℹ Compruebe regularmente los cierres herméticos de la puerta para asegurarse de que estén limpios y sin restos de alimentos.
- ⚠ Para extraer las bandejas de la puerta, retire todo su contenido y, a continuación, simplemente empuje la bandeja hacia arriba desde su base.

Protección de las superficies de plástico

- ℹ No deposite aceites líquidos o alimentos aceitosos en recipientes no cerrados ya que dañarán las superficies de plástico de su frigorífico. En caso de derrame de aceite sobre las superficies de plástico, limpie y enjuague con agua caliente la parte afectada de inmediato.

7 Sugerencias para la solución de problemas

Le rogamos compruebe la siguiente lista antes de llamar al servicio técnico. Puede ahorrarle tiempo y dinero. Esta lista incluye problemas frecuentes no achacables a defectos en materiales o manufactura. Es posible que algunas de las características mencionadas no estén presentes en su aparato.

El frigorífico no funciona

- ¿Está el frigorífico convenientemente enchufado? Inserte el enchufe en la toma de corriente.
- ¿Están fundidos el fusible principal o el fusible del enchufe al cual ha conectado el frigorífico? Revise los fusibles.

Condensación en la pared lateral del compartimento frigorífico (MULTIZONA, CONTROL DE FRÍO y FLEXI ZONA).

- Condiciones ambientales muy frías. Frecuente apertura y cierre de la puerta. Nivel alto de humedad ambiental. Almacenamiento de alimentos que contienen líquidos en recipientes abiertos. Dejar la puerta entreabierta. Ponga el termostato a una temperatura más baja.
- Deje la puerta abierta durante menos tiempo o ábrala con menos frecuencia.
- Cubra los alimentos almacenados en recipientes abiertos con un material adecuado.
- Enjugue el agua condensada con un paño seco y compruebe si la condensación persiste.

El compresor no funciona

- El dispositivo térmico protector del compresor saltará en caso de un corte súbito de energía o de idas y venidas de la corriente, ya que la presión del refrigerante en el sistema de enfriamiento aún no se ha estabilizado. Su frigorífico se pondrá en marcha transcurridos unos 6 minutos. Llame al servicio técnico si su frigorífico no se pone en marcha transcurrido ese periodo.
- El frigorífico se encuentra en el ciclo de descongelación. Esto es normal en un frigorífico con descongelación automática. El ciclo de descongelación se produce de forma periódica.
- El frigorífico no está enchufado. Asegúrese de que el enchufe esté bien colocado en la toma.
- ¿Está la temperatura correctamente fijada?
- Puede haberse cortado el suministro eléctrico.

El frigorífico está en funcionamiento con frecuencia o durante periodos prolongados.

- Puede que su nuevo frigorífico sea más grande que el que tenía anteriormente. Esto es perfectamente normal. Los frigoríficos de mayor tamaño funcionan durante más tiempo.
- Puede que la temperatura ambiente de la estancia sea alta. Esto es perfectamente normal.
- Es posible que haya enchufado el frigorífico o bien lo haya cargado de alimentos recientemente. Puede que el frigorífico tarde unas dos horas en enfriarse por completo.
- Es posible que recientemente haya depositado grandes cantidades de alimentos en el frigorífico. Los alimentos calientes pueden ocasionar que el frigorífico trabaje durante más tiempo hasta alcanzar la temperatura de almacenamiento seguro.
- Es posible que las puertas se hayan abierto con frecuencia o que se hayan dejado entreabiertas por un tiempo prolongado. El aire caliente que ha penetrado en el frigorífico hace que éste funcione durante más tiempo. Abra las puertas con menos frecuencia.
- Es posible que la puerta del compartimento frigorífico o congelador se haya dejado entreabierta. Compruebe que las puertas estén bien cerradas.
- El frigorífico está ajustado a una temperatura muy baja. Ajuste la temperatura del frigorífico a un valor más alto y espere a que se alcance dicha temperatura.
- La junta de la puerta del compartimento frigorífico o congelador puede estar sucia, desgastada, rota o no asentada correctamente. Limpie o sustituya la junta. Una junta rota o dañada hace que el frigorífico funcione durante más tiempo con el fin de mantener la temperatura actual.

La temperatura del congelador es muy baja, mientras que la del frigorífico es correcta.

- La temperatura del congelador está ajustada a un valor muy bajo. Ajuste la temperatura del congelador a un valor más elevado y compruebe.

La temperatura del frigorífico es muy baja, mientras que la del congelador es correcta.

- La temperatura del compartimento frigorífico podría estar ajustada a un valor muy bajo. Ajuste la temperatura del frigorífico a un valor más elevado y compruebe.

Los alimentos depositados en los cajones del compartimento frigorífico se están congelando.

- La temperatura del compartimento frigorífico podría estar ajustada a un valor muy bajo. Ajuste la temperatura del frigorífico a un valor más elevado y compruebe.

La temperatura del congelador o el frigorífico es muy alta.
<ul style="list-style-type: none"> • La temperatura del compartimento frigorífico podría estar ajustada a un valor muy alto. El ajuste de la temperatura del frigorífico afecta a la temperatura del congelador. Cambie la temperatura del frigorífico o del congelador hasta que alcance un nivel suficiente. • Es posible que las puertas se hayan abierto con frecuencia o que se hayan dejado entreabiertas por un tiempo prolongado; ábralas con menor frecuencia. • Se ha podido dejar la puerta entreabierta; cierre la puerta completamente. • Es posible que recientemente haya depositado grandes cantidades de alimentos en el frigorífico. Espere hasta que el frigorífico o el congelador alcance la temperatura deseada. • Es posible que el frigorífico haya sido enchufado recientemente. Enfriar por completo el frigorífico lleva un tiempo.
El nivel de ruidos propios del funcionamiento se incrementa cuando el frigorífico está en marcha.
<ul style="list-style-type: none"> • El rendimiento del frigorífico puede cambiar en función de las variaciones en la temperatura ambiente. Esto es perfectamente normal, no es ninguna avería.
Vibraciones o ruidos.
<ul style="list-style-type: none"> • El suelo no está nivelado ni es firme. El frigorífico oscila al moverlo lentamente. Compruebe que el suelo esté nivelado y que sea capaz de soportar el peso del frigorífico. • El ruido puede deberse a los elementos guardados en el frigorífico. Retire los objetos colocados sobre el frigorífico.
Pueden oírse ruidos como si un líquido se derramara o se pulverizara.
<ul style="list-style-type: none"> • Los líquidos y gases fluyen en función de los principios de funcionamiento del frigorífico. Esto es perfectamente normal, no es ninguna avería.
Puede oírse un ruido parecido al viento.
<ul style="list-style-type: none"> • Se utilizan ventilador para enfriar el frigorífico. Esto es perfectamente normal, no es ninguna avería.
Condensación en las paredes interiores del frigorífico.
<ul style="list-style-type: none"> • El tiempo cálido y húmedo favorece la formación de hielo y la condensación. Esto es perfectamente normal, no es ninguna avería. • Pueden haberse dejado las puertas entreabiertas; asegúrese de cerrarlas completamente. • Es posible que las puertas se hayan abierto con frecuencia o que se hayan dejado entreabiertas por un tiempo prolongado; ábralas con menor frecuencia.
Hay humedad en el exterior del frigorífico o entre las puertas.
<ul style="list-style-type: none"> • Puede haber humedad en el aire; es algo bastante normal en lugares húmedos. Cuando el grado de humedad descienda, la condensación desaparecerá.

Mal olor en el interior del frigorífico.

- El interior del frigorífico debe limpiarse. Limpie el interior del frigorífico con una esponja empapada en agua caliente o agua con gas.
- Es posible que el olor provenga de algún recipiente o envoltorio. Utilice otro recipiente o materiales para envolver de una marca diferente.

La puerta no cierra.

- Puede que los paquetes de alimentos depositados no dejen que las puertas se cierren. Recoloque los paquetes que estén obstruyendo la puerta.
- El frigorífico no se ha colocado completamente vertical y podría oscilar cuando se mueve ligeramente. Ajuste los tornillos de elevación.
- El suelo no está nivelado o no es firme. Compruebe que el suelo esté nivelado y que sea capaz de soportar el peso del frigorífico.

Los cajones están atascados.

- Es posible que algún alimento toque el techo del cajón. Cambie la distribución de los alimentos en el cajón.

