

BSS 121200

Refrigerator  
Kühlschrank/ Gefrierschrank  
Congélateur / réfrigérateur  
Koelkast

**BEKO**

## Please read this manual first!

Dear Customer,

We hope that your product, which has been produced in modern plants and checked under the most meticulous quality control procedures, will provide you an effective service.

For this, we recommend you to carefully read the entire manual of your product before using it and keep it at hand for future references.




## This manual

- Will help you use your appliance in a fast and safe way.
- Read the manual before installing and operating your product.
- Follow the instructions, especially those for safety.
- Keep the manual in an easily accessible place as you may need it later.
- Besides, read also the other documents provided with your product.

Please note that this manual may be valid for other models as well.

## Symbols and their descriptions

This instruction manual contains the following symbols:

-  Important information or useful usage tips.
-  Warning against dangerous conditions for life and property.
-  Warning against electric voltage.



This product is supplied with the selective sorting symbol for waste electrical and electronic equipment (WEEE).

This means that this product must be handled pursuant to European Directive 2002/96/EC in order to be recycled or dismantled to minimise its impact on the environment. For further information, please contact your local or regional authorities.

Electronic products not included in the selective sorting process are potentially dangerous for the environment and human health due to the presence of hazardous substances.



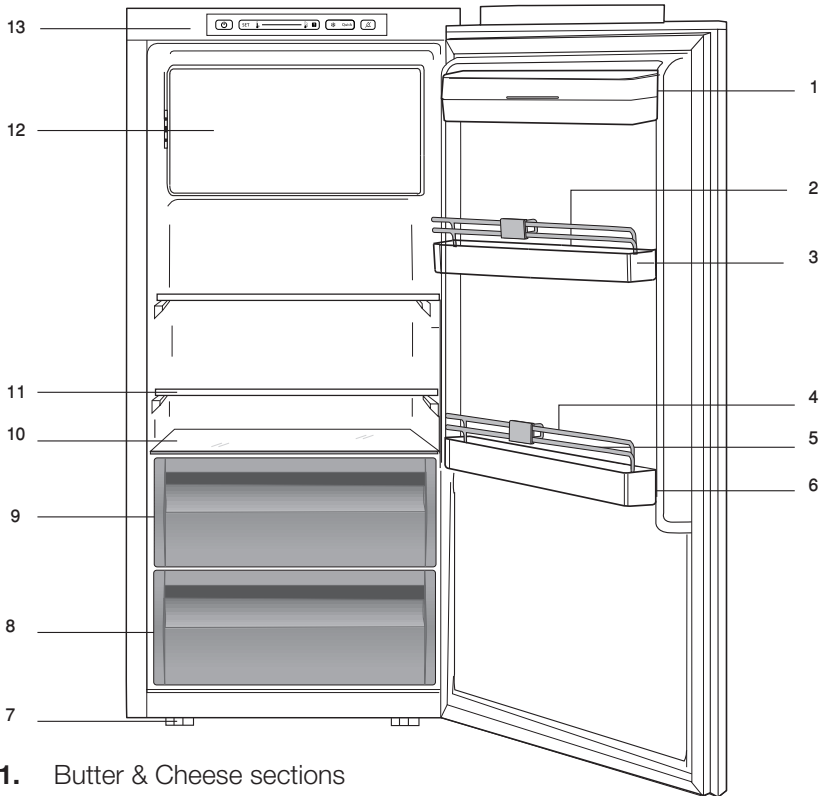
This product was manufactured using the latest technology in environmentally friendly conditions.

## CONTENTS

---

<b>1 Your refrigerator</b>	<b>3</b>	<b>4 Preparation</b>	<b>11</b>
<b>2 Important Safety Warnings</b>	<b>4</b>	<b>5 Using your refrigerator</b>	<b>12</b>
Intended use .....	4	<b>6 Maintenance and cleaning</b>	<b>13</b>
For products with a water dispenser; .	6	Protection of plastic surfaces .....	13
Child safety.....	6	<b>7 Recommended solutions for the problems</b>	<b>14</b>
HCA Warning .....	6		
Things to be done for energy saving..	7		
<b>3 Installation</b>	<b>8</b>		
Points to be considered when re-transporting your refrigerator .....	8		
Before operating your refrigerator .....	8		
Electric connection .....	8		
Disposing of the packaging .....	9		
Disposing of your old refrigerator .....	9		
Placing and Installation .....	9		
Changing the illumination lamp .....	9		
Reversing the doors .....	10		

# 1 Your refrigerator



1. Butter & Cheese sections
2. Egg holders
3. Adjustable door shelves
4. Shelter wire
5. Bottle holder
6. Bottle shelves
7. Adjustable front feet
8. Crisper
9. Chiller compartment
10. Crisper cover
11. Movable shelves
12. Freezing compartment & ice tray
13. Indicator panel

**i** Figures that take place in this instruction manual are schematic and may not correspond exactly with your product. If the subject parts are not included in the product you have purchased, then it is valid for other models.

## 2 Important Safety Warnings

---

Please review the following information. Failure to observe this information may cause injuries or material damage. Otherwise, all warranty and reliability commitments will become invalid.

The usage life of the unit you purchased is 10 years. This is the period for keeping the spare parts required for the unit to operate as described.

### Intended use

This product is intended to be used

- indoors and in closed areas such as homes;
- in closed working environments such as stores and offices;
- in closed accommodation areas such as farm houses, hotels, pensions.
  - This product should not be used outdoors.

### General safety

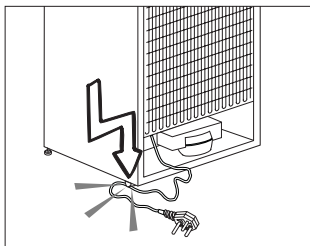
- When you want to dispose/scrap the product, we recommend you to consult the authorized service in order to learn the required information and authorized bodies.
- Consult your authorized service for all your questions and problems related to the refrigerator. Do not intervene or let someone intervene to the refrigerator without notifying the authorised services.
- For products with a freezer compartment; Do not eat cone ice cream and ice cubes immediately after you take them out of the freezer compartment! (This may cause frostbite in your mouth.)

- For products with a freezer compartment; Do not put bottled and canned liquid beverages in the freezer compartment. Otherwise, these may burst.
- Do not touch frozen food by hand; they may stick to your hand.
- Unplug your refrigerator before cleaning or defrosting.
- Vapor and vaporized cleaning materials should never be used in cleaning and defrosting processes of your refrigerator. In such cases, the vapor may get in contact with the electrical parts and cause short circuit or electric shock.
- Never use the parts on your refrigerator such as the door as a means of support or step.
- Do not use electrical devices inside the refrigerator.
- Do not damage the parts, where the refrigerant is circulating, with drilling or cutting tools. The refrigerant that might blow out when the gas channels of the evaporator, pipe extensions or surface coatings are punctured causes skin irritations and eye injuries.
- Do not cover or block the ventilation holes on your refrigerator with any material.
- Electrical devices must be repaired by only authorised persons. Repairs performed by incompetent persons create a risk for the user.
- In case of any failure or during a maintenance or repair work, disconnect your refrigerator's mains supply by either turning off the

relevant fuse or unplugging your appliance.

- Do not pull by the cable when pulling off the plug.
- Place the beverage with higher proofs tightly closed and vertically.
- Never store spray cans containing flammable and explosive substances in the refrigerator.
- Do not use mechanical devices or other means to accelerate the defrosting process, other than those recommended by the manufacturer.
- This product is not intended to be used by persons with physical, sensory or mental disorders or unlearned or inexperienced people (including children) unless they are attended by a person who will be responsible for their safety or who will instruct them accordingly for use of the product
- Do not operate a damaged refrigerator. Consult with the service agent if you have any concerns.
- Electrical safety of your refrigerator shall be guaranteed only if the earth system in your house complies with standards.
- Exposing the product to rain, snow, sun and wind is dangerous with respect to electrical safety.
- Contact authorized service when there is a power cable damage to avoid danger.
- Never plug the refrigerator into the wall outlet during installation. Otherwise, risk of death or serious injury may arise.

- This refrigerator is intended for only storing food items. It must not be used for any other purpose.
- Label of technical specifications is located on the left wall inside the refrigerator.
- Never connect your refrigerator to electricity-saving systems; they may damage the refrigerator.
- If there is a blue light on the refrigerator, do not look at the blue light with optical tools.
- For manually controlled refrigerators, wait for at least 5 minutes to start the refrigerator after power failure.
- This operation manual should be handed in to the new owner of the product when it is given to others.
- Avoid causing damage on power cable when transporting the refrigerator. Bending cable may cause fire. Never place heavy objects on power cable. Do not touch the plug with wet hands when plugging the product.



- Do not plug the refrigerator if the wall outlet is loose.
- Water should not be sprayed directly on inner or outer parts of the product for safety purposes.
- Do not spray substances containing inflammable gases such as propane gas near the refrigerator to avoid fire and explosion risk.

- Never place containers filled with water on top of the refrigerator, otherwise this may cause electric shock or fire.
- Do not overload your refrigerator with excessive amounts of food. If overloaded, the food items may fall down and hurt you and damage refrigerator when you open the door. Never place objects on top of the refrigerator; otherwise, these objects may fall down when you open or close the refrigerator's door.
- As they require a precise temperature, vaccines, heat-sensitive medicine and scientific materials and etc. should not be kept in the refrigerator.
- If not to be used for a long time, refrigerator should be unplugged. A possible problem in power cable may cause fire.
- The plug's tip should be regularly cleaned; otherwise, it may cause fire.
- The plug's tip should be cleaned regularly with a dry cloth; otherwise, it may cause fire.
- Refrigerator may move if adjustable legs are not properly secured on the floor. Properly securing adjustable legs on the floor can prevent the refrigerator to move.
- When carrying the refrigerator, do not hold it from door handle. Otherwise, it may be snapped.
- When you have to place your product next to another refrigerator or freezer, the distance between devices should be at least 8cm. Otherwise, adjacent side walls may be humidified.

## **For products with a water dispenser;**

Pressure of water mains should be minimum 1 bar. Pressure of water mains should be maximum 8 bars.

- Use only potable water.

## **Child safety**

- If the door has a lock, the key should be kept away from reach of children.
- Children must be supervised to prevent them from tampering with the product.

## **HCA Warning**

### **If your product's cooling system contains R600a:**

This gas is flammable. Therefore, pay attention to not damaging the cooling system and piping during usage and transportation. In the event of damage, keep your product away from potential fire sources that can cause the product catch a fire and ventilate the room in which the unit is placed.

### **Ignore this warning if your product's cooling system contains R134a.**

Type of gas used in the product is stated in the type plate which is on the left wall inside the refrigerator.

Never throw the product in fire for disposal.

## Things to be done for energy saving

- Do not leave the doors of your refrigerator open for a long time.
- Do not put hot food or drinks in your refrigerator.
- Do not overload your refrigerator so that the air circulation inside of it is not prevented.
- Do not install your refrigerator under direct sunlight or near heat emitting appliances such as ovens, dishwashers or radiators.
- Pay attention to keep your food in closed containers.
- For products with a freezer compartment; You can store maximum amount of food items in the freezer when you remove the shelf or drawer of the freezer. Energy consumption value stated for your refrigerator has been determined by removing freezer shelf or drawer and under maximum load. There is no harm to use a shelf or drawer according to the shapes and size of food to be frozen.
- Thawing frozen food in fridge compartment will both provide energy saving and preserve the food quality.



## 3 Installation

⚠ Please remember that the manufacturer shall not be held liable if the information given in the instruction manual is not observed.

### Points to be considered when re-transporting your refrigerator

1. Your refrigerator must be emptied and cleaned prior to any transportation.
2. Shelves, accessories, crisper and etc. in your refrigerator must be fastened securely by adhesive tape against any jolt before repackaging.
3. Packaging must be tied with thick tapes and strong ropes and the rules of transportation printed on the package must be followed.

Please do not forget...

Every recycled material is an indispensable source for the nature and for our national resources.

If you wish to contribute to recycling the packaging materials, you can get further information from the environmental bodies or local authorities.

### Before operating your refrigerator

Before starting to use your refrigerator check the following:

1. Is the interior of the refrigerator dry and can the air circulate freely in the rear of it?
2. Please install the 2 plastic wedges as illustrated in the figure. Plastic wedges will provide the required distance between your refrigerator and the wall

in order to allow the air circulation. (The illustrated figure is only an example and does not match exactly with your product.)

3. Clean the interior of the refrigerator as recommended in the "Maintenance and cleaning" section.
4. You will hear a noise as the compressor starts up. The liquid and gases sealed within the refrigeration system may also give rise to noise, even if the compressor is not running and this is quite normal.
5. Front edges of the refrigerator may feel warm. This is normal. These areas are designed to be warm to avoid condensation

### Electric connection

Connect your product to a grounded socket which is being protected by a fuse with the appropriate capacity.

Important:

- The connection must be in compliance with national regulations.
- The power cable plug must be easily accessible after installation.
- The specified voltage must be equal to your mains voltage.
- Extension cables and multiway plugs must not be used for connection.

⚠ A damaged power cable must be replaced by a qualified electrician.

⚠ Product must not be operated before it is repaired! There is danger of electric shock!

## Disposing of the packaging

The packing materials may be dangerous for children. Keep the packing materials out of the reach of children or dispose of them by classifying them in accordance with the waste instructions. Do not dispose of them along with the normal household waste.

The packing of your refrigerator is produced from recyclable materials.

## Disposing of your old refrigerator

Dispose of your old refrigerator without giving any harm to the environment.

- You may consult your authorised dealer or waste collection center of your municipality about the disposal of your refrigerator.

Before disposing of your refrigerator, cut out the electric plug and, if there are any locks on the door, make them inoperable in order to protect children against any danger.

## Placing and Installation

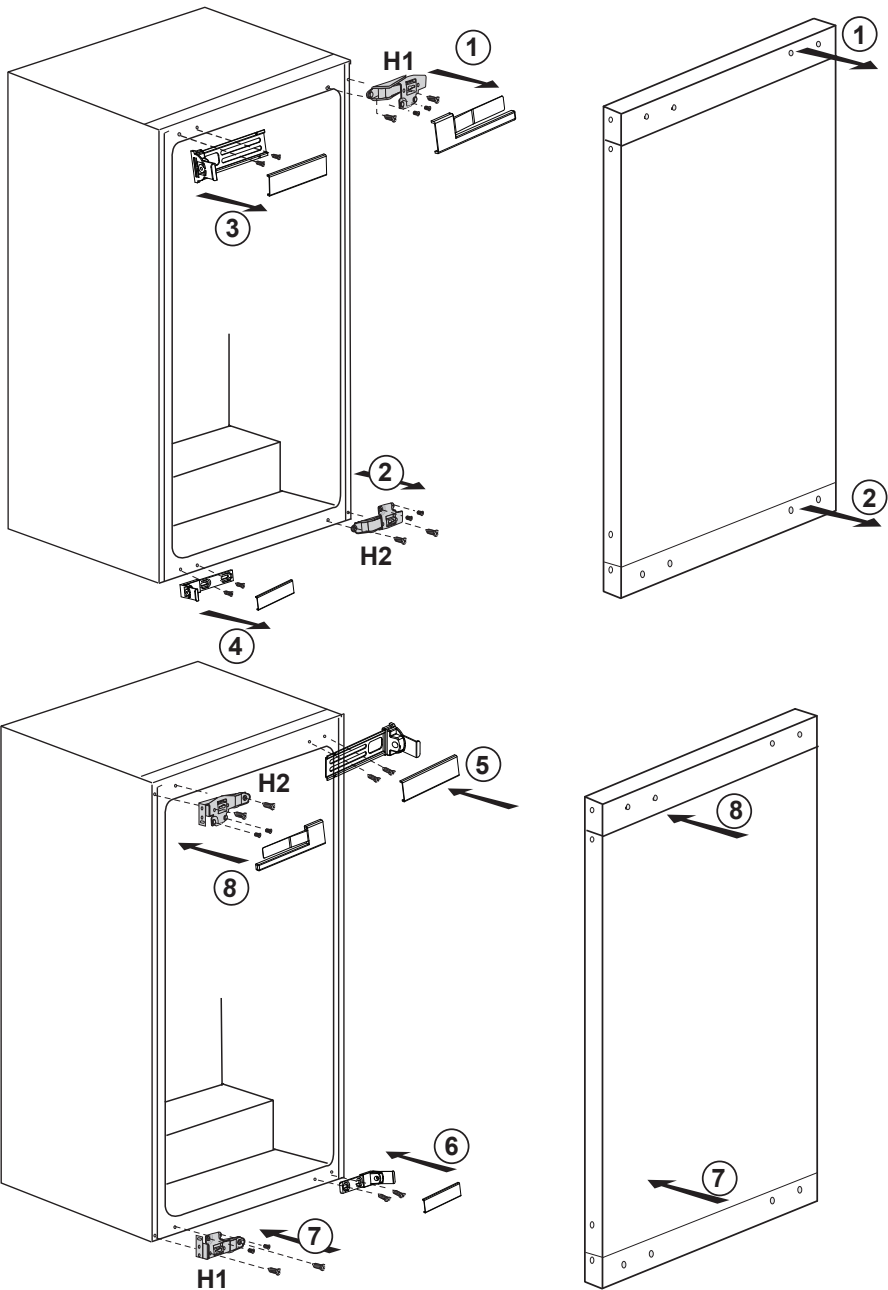
⚠ If the entrance door of the room where the refrigerator will be installed is not wide enough for the refrigerator to pass through, then call the authorised service to have them remove the doors of your refrigerator and pass it sideways through the door.

1. Install your refrigerator to a place that allows ease of use.
2. Keep your refrigerator away from heat sources, humid places and direct sunlight.
3. There must be appropriate air ventilation around your refrigerator in order to achieve an efficient operation. If the refrigerator is to be placed in a recess in the wall, there must be at least 5 cm distance with the ceiling and at least 5 cm with the wall. If the floor is covered with a carpet, your product must be elevated 2.5 cm from the floor.
4. Place your refrigerator on an even floor surface to prevent jolts.

## Changing the illumination lamp

To change the lamp used for illumination of your refrigerator, please call your Authorized Service.

# Reversing the doors

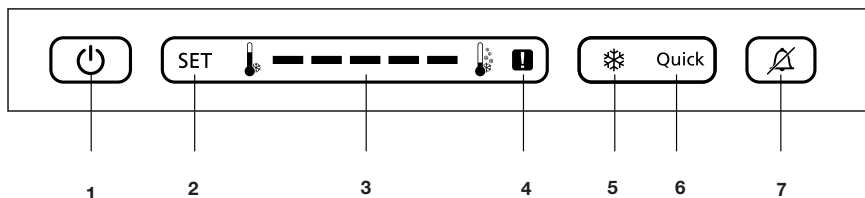


## 4 Preparation

---

- i** Your refrigerator should be installed at least 30 cm away from heat sources such as hobs, ovens, central heater and stoves and at least 5 cm away from electrical ovens and should not be located under direct sunlight.
- i** The ambient temperature of the room where you install your refrigerator should at least be 10°C. Operating your refrigerator under cooler conditions than this is not recommended with regard to its efficiency.
- i** Please make sure that the interior of your refrigerator is cleaned thoroughly.
- i** If two refrigerators are to be installed side by side, there should be at least 2 cm distance between them.
- i** When you operate your refrigerator for the first time, please observe the following instructions during the initial six hours.
  - The door should not be opened frequently.
  - It must be operated empty without any food in it.
  - Do not unplug your refrigerator. If a power failure occurs out of your control, please see the warnings in the “Recommended solutions for the problems” section.
- i** Original packaging and foam materials should be kept for future transportations or moving.

## 5 Using your refrigerator



### 1- On/Off function

Press the On/Off button for 3 seconds to turn off or turn on the fridge.

### 2- Fridge Set Function

This function allows you to make the fridge compartment temperature setting.

Press this button to set the temperature of the fridge compartment to - (warmest), --, ---, ----, ----- (coldest) respectively.

### 3- Fridge Compartment Temperature Setting Indicator

Indicates the temperature set for the Fridge Compartment. Settings are - (warmest), --, ---, ----, ----- (coldest)

### 4- High Temperature Error / Warning Indicator

This light comes on during high temperature failures and error warnings.

### 5- Quick Fridge Indicator

This icon lits when the Quick Fridge function is active.

### 6-Quick Fridge Function

When you press Quick Fridge button, the temperature of the compartment

will be colder than the adjusted values.

This function can be used for food placed in the fridge compartment and required to be cooled down rapidly.

If you want to cool large amounts of fresh food, it is recommended to active this feature before putting the food

into the fridge. Quick Fridge indicator will remain lit when the Quick Fridge function is enabled. To cancel this

function press Quick Fridge button again. Quick Fridge indicator will turn off and return to its normal settings.

If you do not cancel it, Quick Fridge will cancel itself automatically after 2 hours or when the fridge compartment reaches to the required temperature.

This function is not recalled when power restores after a power failure.

### 7- Alarm Off

When the fridge door is opened for 2 minutes or when there a sensor failure, a sound alarm turns on. Alarm can be turned off by pressing "Alarm Off" button.

Sensor failure alarm will not sound till power failure. If you close the door and then open again "Door open alarm" will be activated again after 2 minutes later .

## 6 Maintenance and cleaning

---

- ⚠ Never use gasoline, benzene or similar substances for cleaning purposes.
- ⚠ We recommend that you unplug the appliance before cleaning.
- ⚠ Never use any sharp abrasive instrument, soap, household cleaner, detergent and wax polish for cleaning.
- ℹ Use lukewarm water to clean the cabinet of your refrigerator and wipe it dry.
- ℹ Use a damp cloth wrung out in a solution of one teaspoon of bicarbonate of soda to one pint of water to clean the interior and wipe it dry.
- ⚠ Make sure that no water enters the lamp housing and other electrical items.
- ⚠ If your refrigerator is not going to be used for a long period of time, unplug the power cable, remove all food, clean it and leave the door ajar.
- ℹ Check door seals regularly to ensure they are clean and free from food particles.
- ⚠ To remove door racks, remove all the contents and then simply push the door rack upwards from the base.

### Protection of plastic surfaces

- ℹ Do not put the liquid oils or oil-cooked meals in your refrigerator in unsealed containers as they damage the plastic surfaces of your refrigerator. In case of spilling or smearing oil on the plastic surfaces, clean and rinse the relevant part of the surface at once with warm water.

## 7 Recommended solutions for the problems

Please review this list before calling the service. It might save you time and money. This list includes frequent complaints that are not arising from defective workmanship or material usage. Some of the features described here may not exist in your product.

The refrigerator does not operate.

- Is the refrigerator properly plugged in? Insert the plug to the wall socket.
- Is the fuse of the socket which your refrigerator is connected to or the main fuse blown out? Check the fuse.

Condensation on the side wall of the fridge compartment (MULTIZONE, COOL CONTROL and FLEXI ZONE).

- Very cold ambient conditions. Frequent opening and closing of the door. Highly humid ambient conditions. Storage of food containing liquid in open containers. Leaving the door ajar. Switching the thermostat to a colder degree.
- Decreasing the time the door left open or using it less frequently.
- Covering the food stored in open containers with a suitable material.
- Wipe the condensation using a dry cloth and check if it persists.

Compressor is not running

- Protective thermic of the compressor will blow out during sudden power failures or plug-out plug-ins as the refrigerant pressure in the cooling system of the refrigerator has not been balanced yet. Your refrigerator will start running approximately after 6 minutes. Please call the service if the refrigerator does not startup at the end of this period.
- The fridge is in defrost cycle. This is normal for a full-automatically defrosting refrigerator. Defrosting cycle occurs periodically.
- Your refrigerator is not plugged into the socket. Make sure that the plug is properly fit into the socket.
- Are the temperature adjustments correctly made?
- Power might be cut off.

The fridge is running frequently or for a long time.

- Your new product may be wider than the previous one. This is quite normal. Large refrigerators operate for a longer period of time.
- The ambient room temperature may be high. This is quite normal.
- The refrigerator might have been plugged in recently or might have been loaded with food. Cooling down of the refrigerator completely may last for a couple of hours longer.
- Large amounts of hot food might have been put in the refrigerator recently. Hot food causes longer running of the refrigerator until they reach the safe storage temperature.
- Doors might have been opened frequently or left ajar for a long time. The warm air that has entered into the refrigerator causes the refrigerator to run for longer periods. Open the doors less frequently.
- Freezer or fridge compartment door might have been left ajar. Check if the doors are tightly closed.
- The refrigerator is adjusted to a very low temperature. Adjust the refrigerator temperature to a warmer degree and wait until the temperature is achieved.
- Door seal of the fridge or freezer may be soiled, worn out, broken or not properly seated. Clean or replace the seal. Damaged/broken seal causes the refrigerator to run for a longer period of time in order to maintain the current temperature.

Freezer temperature is very low while the fridge temperature is sufficient.

- The freezer temperature is adjusted to a very low temperature. Adjust the freezer temperature to a warmer degree and check.

Fridge temperature is very low while the freezer temperature is sufficient.

- The fridge temperature might have been adjusted to a very low temperature. Adjust the fridge temperature to a warmer degree and check.

Food kept in the fridge compartment drawers are freezing.

- The fridge temperature might have been adjusted to a very low temperature. Adjust the fridge temperature to a warmer degree and check.



#### Temperature in the fridge or freezer is very high.

- The fridge temperature might have been adjusted to a very high degree. Fridge adjustment has an effect on the temperature of the freezer. Change the temperature of the fridge or freezer until the fridge or freezer temperature reaches to a sufficient level.
- Doors might have been opened frequently or left ajar for a long time; open them less frequently.
- Door might have been left ajar; close the door completely.
- Large amount of hot food might have been put in the refrigerator recently. Wait until the fridge or freezer reaches the desired temperature.
- The refrigerator might have been plugged in recently. Cooling down of the refrigerator completely takes time.

#### The operation noise increases when the refrigerator is running.

- The operating performance of the refrigerator may change due to the changes in the ambient temperature. It is normal and not a fault.

#### Vibrations or noise.

- The floor is not even or it is weak. The refrigerator rocks when moved slowly. Make sure that the floor is strong enough to carry the refrigerator, and level.
- The noise may be caused by the items put onto the refrigerator. Items on top of the refrigerator should be removed.

#### There are noises coming from the refrigerator like liquid spilling or spraying.

- Liquid and gas flows happen in accordance with the operating principles of your refrigerator. It is normal and not a fault.

#### There is a noise like wind blowing.

- Fans are used in order to cool the refrigerator. It is normal and not a fault.

#### Condensation on the inner walls of refrigerator.

- Hot and humid weather increases icing and condensation. It is normal and not a fault.
- Doors might have been left ajar; make sure that the doors are closed fully.
- Doors might have been opened frequently or left ajar for a long time; open them less frequently.

#### Humidity occurs on the outside of the refrigerator or between the doors.

- There might be humidity in the air; this is quite normal in humid weather. When the humidity is less, condensation will disappear.

Bad odour inside the refrigerator.

- Inside of the refrigerator must be cleaned. Clean the inside of the refrigerator with a sponge, lukewarm water or carbonated water.
- Some containers or package materials might cause the smell. Use a different container or different brand packaging material.

The door is not closing.

- Food packages may prevent the door's closing. Replace the packages that are obstructing the door.
- The refrigerator is not completely upright on the floor and rocking when slightly moved. Adjust the elevation screws.
- The floor is not level or strong. Make sure that the floor is level and capable to carry the refrigerator.

Crispers are stuck.

- The food might be touching the ceiling of the drawer. Rearrange food in the drawer.

## Bitte lesen Sie zuerst diese Anleitung!

Lieber Kunde,

Wir sind sicher, dass Ihnen dieses Produkt, das in modernsten Fertigungsstätten hergestellt und den strengsten Qualitätsprüfungen unterzogen wurde, lange Zeit gute Dienste leisten wird.




Wir empfehlen Ihnen, vor Inbetriebnahme des Gerätes das gesamte Handbuch durchzulesen und es anschließend aufzubewahren.

## Diese Anleitung...

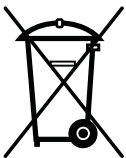
- hilft Ihnen, Ihr Gerät schnell und sicher zu bedienen.
- Lesen Sie die Anleitung, bevor Sie Ihr Gerät aufstellen und bedienen.
- Halten Sie sich an die Anweisungen, beachten Sie insbesondere die Sicherheitshinweise.
- Bewahren Sie die Anleitung an einem leicht zugänglichen Ort auf, damit Sie jederzeit darin nachschlagen können.
- Lesen Sie auch die weiteren Dokumente, die mit Ihrem Produkt geliefert wurden. Bitte beachten Sie, dass diese Anleitung eventuell auch für andere Geräte eingesetzt werden kann.

## Symbole und ihre Bedeutung

In dieser Anleitung finden Sie die folgenden Symbole:

-  Wichtige Informationen oder nützliche Tipps.
-  Warnung vor Verletzungen oder Sachschäden.
-  Warnung vor elektrischem Strom.

### Recycling



Dieses Produkt ist mit dem selektiven Entsorgungssymbol für elektrische und elektronische Altgeräte (WEEE) gekennzeichnet.

Das bedeutet, dass dieses Produkt gemäß der europäischen Richtlinie 2002/96/EC gehandhabt werden muss, um mit nur minimalen umweltspezifischen Auswirkungen recycelt oder zerlegt werden zu können. Weitere Informationen erhalten Sie von Ihren regionalen Behörden.

Elektronikprodukte, die nicht durch den selektiven Entsorgungsvorgang erfasst werden, stellen durch das Vorhandensein potenziell gefährlicher Substanzen umwelt- und gesundheitsrelevante Risiken dar.

# INHALT

---

## **1 Ihr Kühlschrank / Gefrierschrank** **3**

---

## **2 Wichtige Hinweise zu Ihrer Sicherheit** **4**

Bestimmungsgemäßer Gebrauch .....	4
Bei Geräten mit Wasserspender: .....	7
Kinder – Sicherheit .....	7
HCA-Warnung .....	7
Tipps zum Energiesparen .....	7

## **3 Installation** **8**

Was Sie bei einem weiteren Transport Ihres Kühlschrank / Gefrierschranks beachten müssen .....	8
Bevor Sie Ihren Kühlschrank / Gefrierschrank einschalten .....	8
Elektrischer Anschluss .....	8
Verpackungsmaterialien entsorgen ....	9
Altgeräte entsorgen .....	9
Aufstellung und Installation .....	9
Auswechseln der Beleuchtung .....	9
Türanschlag umkehren .....	10

## **4 Vorbereitung** **11**

---

## **5 So bedienen Sie Ihren Kühlschrank / Gefrierschrank** **12**

---

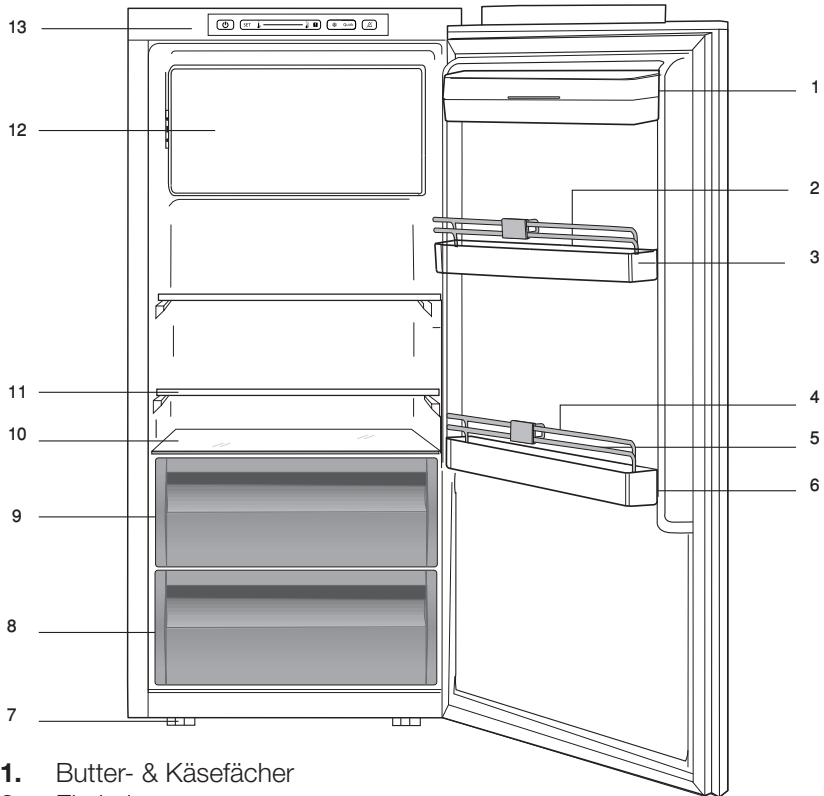
## **6 Wartung und Reinigung** **14**

Schutz der Kunststoffflächen .....	14
------------------------------------	----

## **7 Empfehlungen zur Problemlösung** **15**

---

# 1 Ihr Kühlschrank / Gefrierschrank



1. Butter- & Käsefächer
2. Eierhalter
3. Verstellbare Türablagen
4. Shelter Draht
5. Flaschenhalter
6. Flaschenablage
7. Vorderen Stellfüße
8. Gemüsefächer
9. Kühlfach
10. Gemüsefachabdeckung
11. Bewegliche Ablagen
12. Gefrierfach & Eiswürfelschale
13. Anzeigetafel

**i** Abbildungen und Angaben in dieser Anleitung sind schematisch und können etwas von Ihrem Produkt abweichen. Falls Teile nicht zum Lieferumfang des erworbenen Gerätes zählen, gelten sie für andere Modelle.

## 2 Wichtige Hinweise zu Ihrer Sicherheit

Bitte lesen Sie die folgenden Hinweise aufmerksam durch. Bei Nichtbeachtung kann es zu Verletzungen und Sachschäden kommen. In diesem Fall erlöschen auch sämtliche Garantie- und sonstigen Ansprüche.

Die reguläre Einsatzzeit des von Ihnen erworbenen Gerätes beträgt 10 Jahre. In diesem Zeitraum halten wir Ersatzteile für das Gerät bereit, damit es stets wie gewohnt arbeiten kann.

### Bestimmungsgemäßer Gebrauch

Dieses Produkt ist für folgende Einsatzzwecke vorgesehen:

- Nutzung in Innenräumen; beispielsweise im Privathaushalt
- Einsatz in Geschäftsräumen; beispielsweise in Geschäften und Büros
- Verwendung auf Bauernhöfen oder in Beherbergungsbetrieben; beispielsweise in Hotels und Pensionen
  - Das Gerät sollte nicht im Freien benutzt werden.

### Allgemeine Hinweise zu Ihrer Sicherheit

- Wenn Sie das Gerät entsorgen möchten, wenden Sie sich am besten an den autorisierten Kundendienst. Hier erhalten Sie notwendige Informationen und erfahren, welche Stellen für die Entsorgung zuständig sind.
- Bei Problemen und Fragen zum Gerät wenden Sie sich grundsätzlich an den autorisierten Kundendienst. Ziehen

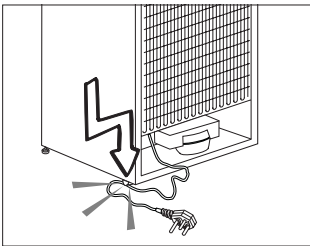
Sie keine Dritten zu Rate, versuchen Sie nichts in Eigenregie, ohne den autorisierten Kundendienst davon in Kenntnis zu setzen.

- Bei Geräten mit Tiefkühlbereich: Der Verzehr von Speiseeis und Eiswürfeln unmittelbar nach der Entnahme aus dem Tiefkühlbereich ist nicht ratsam. (Dies kann zu Erfrierungen führen.)
- Bei Geräten mit Tiefkühlbereich: Bewahren Sie Getränke in Flaschen sowie Dosen niemals in Tiefkühlbereich auf. Diese platzen.
- Berühren Sie gefrorene Lebensmittel nicht mit der Hand; sie können festfrieren.
- Ziehen Sie den Netzstecker, bevor Sie den Kühlschrank / Gefrierschrank reinigen oder abtauen.
- Verwenden Sie niemals Dampf- oder Sprühreiniger zum Reinigen oder Abtauen Ihres Kühlschrank / Gefrierschranks. Die Dämpfe oder Nebel können in Kontakt mit stromführenden Teilen geraten und Kurzschlüsse oder Stromschläge auslösen.
- Missbrauchen Sie niemals Teile Ihres Kühlschrank / Gefrierschranks (z. B. Tür) als Befestigungen oder Kletterhilfen.
- Nutzen Sie keine elektrischen Geräte innerhalb des Kühlschrank / Gefrierschranks.
- Achten Sie darauf, den Kühlkreislauf keinesfalls mit Bohr- oder Schneidwerkzeugen zu beschädigen. Das Kühlmittel kann herauspritzen, wenn die Gaskanäle des Verdunsters, Rohr- und Schlauchleitungen

oder Oberflächenversiegelungen beschädigt werden. Dies kann zu Hautreizungen und Augenverletzungen führen.

- Decken Sie keinerlei Belüftungsöffnungen des Kühlschranks / Gefrierschranks ab.
- Elektrogeräte dürfen nur von autorisierten Fachkräften repariert werden. Reparaturen durch weniger kompetente Personen können erhebliche Gefährdungen des Anwenders verursachen.
- Sollten Fehler oder Probleme während der Wartung oder Reparaturarbeiten auftreten, so trennen Sie den Kühlschrank / Gefrierschrank von der Stromversorgung, indem Sie die entsprechende Sicherung abschalten oder den Netzstecker ziehen.
- Ziehen Sie niemals am Netzkabel – fassen Sie stets den Stecker selbst.
- Lagern Sie hochprozentige alkoholische Getränke gut verschlossen und aufrecht.
- Lagern Sie niemals Behälter mit brennbaren Gasen (z. B. Spraydosen) oder explosive Dinge im Kühlschrank / Gefrierschrank.
- Nutzen Sie keine mechanischen oder andere Hilfsmittel, um das Gerät abzutauen – es sei denn, solche Hilfsmittel werden ausdrücklich vom Hersteller empfohlen.
- Dieses Gerät darf nicht von Personen (einschließlich Kindern) benutzt werden, die unter körperlichen oder geistigen Einschränkungen leiden oder denen es an der nötigen Erfahrung im Umgang mit solchen Geräten mangelt. Eine Ausnahme kann gemacht werden, wenn solche Personen ständig beaufsichtigt werden und/oder gründlich in der Verwendung des Gerätes unterwiesen wurden.
- Nehmen Sie einen beschädigten Kühlschrank / Gefrierschrank nicht in Betrieb. Wenden Sie sich im Zweifelsfall unbedingt zuerst an den Kundendienst.
- Die elektrische Sicherheit des Gerätes ist nur dann gewährleistet, wenn das hausinterne Erdungssystem den zutreffenden Normen entspricht.
- Setzen Sie das Gerät keinem Regen, Schnee, direktem Sonnenlicht oder Wind aus, da dies die elektrische Sicherheit gefährden kann.
- Damit es nicht zu Gefährdungen kommt, lassen Sie beschädigte Netzkabel unverzüglich vom Kundendienst austauschen.
- Stecken Sie während der Installation niemals den Netzstecker ein. Andernfalls kann es zu schweren bis tödlichen Verletzungen kommen.
- Der Kühlschrank / Gefrierschrank darf nur zum Lagern von Lebensmitteln, keinesfalls für andere Zwecke verwendet werden.
- Das Typenschild mit technischen Daten befindet sich an der linken Innenwand des Kühlschranks / Gefrierschranks.
- Schließen Sie den Kühlschrank / Gefrierschrank niemals an Energiesparsysteme an; andernfalls kann es zu Beschädigungen kommen.
- Bei Geräten mit blauer Innenbeleuchtung: Schauen Sie niemals mit optischen Hilfsmitteln in das blaue Licht.

- Bei manuell gesteuerten Kühlschränken warten Sie nach Stromausfällen mindestens 5 Minuten ab, bevor Sie das Gerät neu starten.
- Falls Sie das Gerät an einen anderen Besitzer weitergeben, vergessen Sie nicht, die Bedienungsanleitung ebenfalls weiterzugeben.
- Achten Sie beim Transportieren des Kühlschranks / Gefrierschranks darauf, dass das Netzkabel nicht beschädigt wird. Geknickte Kabel können sich entzünden. Stellen Sie niemals schwere Gegenstände auf dem Netzkabel ab. Berühren Sie den Netzstecker niemals mit feuchten oder gar nassen Händen.



- Stecken Sie den Netzstecker niemals in lose Steckdosen ein.
- Sprühen Sie aus Sicherheitsgründen niemals direkt Wasser auf die Innen- und Außenflächen des Gerätes.
- Nutzen Sie niemals leicht entzündliche Substanzen (z. B. Propangas) in der Nähe des Kühlschranks / Gefrierschranks; es besteht Brand- und Explosionsgefahr.
- Stellen Sie niemals mit Wasser oder anderen Flüssigkeiten gefüllte Gefäße auf dem Kühlschrank / Gefrierschrank ab; es besteht Brand- und Stromschlaggefahr.

- Überladen Sie den Kühlschrank / Gefrierschrank nicht mit übermäßig vielen Lebensmitteln. Bei Überladung können Lebensmittel beim Öffnen der Tür herausfallen, Sachschäden und Verletzungen verursachen. Stellen Sie niemals Gegenstände auf dem Kühlschrank / Gefrierschrank ab; solche Gegenstände können beim Öffnen und Schließen der Kühlschrank / Gefrierschranktür herabfallen.
- Materialien, die bei exakt festgelegten Temperaturen gelagert werden müssen (beispielsweise Impfstoffe, wärmeempfindliche Arznei, wissenschaftliche Proben, usw.) sollten nicht im Kühlschrank / Gefrierschrank gelagert werden.
- Ziehen Sie den Netzstecker, wenn Sie den Kühlschrank / Gefrierschrank längere Zeit nicht nutzen. Andernfalls können Brände durch defekte Netzkabel nicht gänzlich ausgeschlossen werden.
- Die Kontakte des Netzsteckers sollten regelmäßig gereinigt werden; andernfalls besteht Brandgefahr.
- Die Steckerkontakte sollten regelmäßig gereinigt werden; andernfalls besteht Brandgefahr.
- Der Kühlschrank / Gefrierschrank kann sich bewegen, falls die Füße nicht richtig auf dem Boden aufliegen. Stellen Sie die verstellbaren Füße so ein, dass der Kühlschrank / Gefrierschrank absolut stabil steht und sich somit nicht bewegen kann.
- Tragen Sie den Kühlschrank / Gefrierschrank nicht am Türgriff; der Griff kann abbrechen.



- Wenn Sie das Gerät neben einem anderen Kühlgerät aufstellen, achten Sie darauf, dass zwischen den Geräten mindestens 8 cm Platz verbleiben. Andernfalls kann sich Feuchtigkeit an den Seitenwänden niederschlagen.

## Bei Geräten mit Wasserspender:

Der Wasserdruck sollte zwischen 1 und 8 bar liegen.

- Nur Trinkwasser verwenden.

## Kinder – Sicherheit

- Bei abschließbaren Türen bewahren Sie den Schlüssel außerhalb der Reichweite von Kindern auf.
- Kinder müssen stets beaufsichtigt werden, damit sie nicht mit dem Gerät spielen.

## HCA-Warnung

### Falls Ihr Gerät mit dem Kühlmittel R600a arbeitet:

Dieses Gas ist leicht entflammbar. Achten Sie also darauf, Kühlkreislauf und Leitungen während Betrieb und Transport nicht zu beschädigen. Bei Beschädigungen halten Sie das Produkt von potenziellen Zündquellen (z. B. offenen Flammen) fern und sorgen für eine gute Belüftung des Raumes, in dem das Gerät aufgestellt wurde.

**Diese Warnung können Sie ignorieren, wenn Ihr Gerät mit dem Kühlmittel R134a arbeitet.**

Das verwendete Kühlmittel wird auf dem Typenschild an der linken Innenseite des Kühlschranks / Gefrierschranks angegeben.

Entsorgen Sie das Gerät niemals durch Verbrennen.

## Tipps zum Energiesparen

- Halten Sie die Kühlschrank / Gefrierschranktüren nur möglichst kurz geöffnet.
- Lagern Sie keine warmen Speisen oder Getränke im Kühlschrank / Gefrierschrank ein.
- Überladen Sie den Kühlschrank / Gefrierschrank nicht; die Luft muss frei zirkulieren können.
- Stellen Sie den Kühlschrank / Gefrierschrank nicht im direkten Sonnenlicht oder in der Nähe von Wärmequellen wie Öfen, Spülmaschinen oder Heizkörpern auf.
- Achten Sie darauf, Ihre Lebensmittel in verschlossenen Behältern aufzubewahren.
- Bei Geräten mit Tiefkühlbereich: Sie können noch mehr Lebensmittel einlagern, wenn Sie die Ablagen oder Schubladen aus dem Tiefkühlbereich herausnehmen. Die Energieverbrauchswerte Ihres Kühlschranks / Gefrierschranks wurden bei maximaler Beladung mit herausgenommenen Ablagen oder Schubladen ermittelt. Ansonsten ist es Ihnen natürlich freigestellt, die Ablagen oder Schubladen zu verwenden.
- Wenn Sie gefrorene Lebensmittel im Kühlbereich auftauen, sparen Sie Energie und bewahren die Qualität der Lebensmittel.

### 3 Installation

---

⚠ Bitte beachten Sie, dass der Hersteller nicht haftet, wenn Sie sich nicht an die Informationen und Anweisungen der Bedienungsanleitung halten.

#### Was Sie bei einem weiteren Transport Ihres Kühlschranks / Gefrierschranks beachten müssen

1. Der Kühlschrank / Gefrierschrank muss vor dem Transport geleert und gesäubert werden.
2. Befestigen und sichern Sie Ablagen, Zubehör, Gemüsefach etc. mit Klebeband, bevor Sie das Gerät neu verpacken.
3. Die Verpackung muss mit kräftigem Klebeband und stabilen Seilen gesichert, die auf der Verpackung aufgedruckten Transporthinweise müssen beachtet werden.

#### Vergessen Sie nicht...

Jeder wiederverwendete Artikel stellt eine unverzichtbare Hilfe für unsere Natur und unsere Ressourcen dar.

Wenn Sie zur Wiederverwertung von Verpackungsmaterialien beitragen möchten, können Sie sich bei Umweltschutzvereinigungen und Ihren Behörden vor Ort informieren.

#### Bevor Sie Ihren Kühlschrank / Gefrierschrank einschalten

Bevor Sie Ihren Kühlschrank / Gefrierschrank in Betrieb nehmen, beachten Sie bitte Folgendes:

1. Ist der Innenraum des Kühlschranks / Gefrierschranks trocken, kann die Luft frei an der Rückseite zirkulieren?

2. Bitte bringen Sie die beiden Kunststoffkeile wie in der Abbildung gezeigt an. Die Kunststoffkeile sorgen für den richtigen Abstand zwischen Kühlschrank / Gefrierschrank und Wand – und damit für die richtige Luftzirkulation. (Die Abbildung dient lediglich zur Orientierung und muss nicht exakt mit Ihrem Gerät übereinstimmen.)
3. Reinigen Sie das Innere des Kühlschranks / Gefrierschranks wie im Abschnitt „Wartung und Reinigung“ beschrieben.
4. Stecken Sie den Netzstecker des Kühlschranks / Gefrierschranks in eine Steckdose. Wenn die Kühlbereichtür geöffnet wird, schaltet sich das Licht im Inneren ein.
5. Sie hören ein Geräusch, wenn sich der Kompressor einschaltet. Die Flüssigkeiten und Gase im Kühlsystem können auch leichte Geräusche erzeugen, wenn der Kompressor nicht läuft. Dies ist völlig normal.
6. Die Vorderkanten des Kühlgerätes können sich warm anfühlen. Dies ist normal. Diese Bereiche wärmen sich etwas auf, damit sich kein Kondenswasser bildet.

#### Elektrischer Anschluss

Schließen Sie das Gerät an eine geerdete (Schuko-) Steckdose an. Diese Steckdose muss mit einer passenden Sicherung abgesichert werden.

Wichtig:

- Der Anschluss muss gemäß lokaler Vorschriften erfolgen.
- Der Netzstecker muss nach der Installation frei zugänglich bleiben.
- Die angegebene Spannung muss mit Ihrer Netzspannung übereinstimmen.
- Zum Anschluss dürfen keine Verlängerungskabel oder Mehrfachsteckdosen verwendet werden.

⚠ Ein beschädigtes Netzkabel muss unverzüglich durch einen qualifizierten Elektriker ausgetauscht werden.

⚠ Das Gerät darf vor Abschluss der Reparaturen nicht mehr betrieben werden! Es besteht Stromschlaggefahr!

## Verpackungsmaterialien entsorgen

Das Verpackungsmaterial kann eine Gefahr für Kinder darstellen. Halten Sie Verpackungsmaterialien von Kindern fern oder entsorgen Sie das Verpackungsmaterial gemäß den gültigen Entsorgungsbestimmungen. Entsorgen Sie Verpackungsmaterialien nicht mit dem regulären Hausmüll.

Die Verpackung Ihres Gerätes wurde aus recyclingfähigen Materialien hergestellt.

## Altgeräte entsorgen

Entsorgen Sie Altgeräte auf umweltfreundliche Weise.

- Bei Fragen zur richtigen Entsorgung wenden Sie sich bitte an Ihren Händler, an eine Sammelstelle oder an Ihre Stadtverwaltung.

Bevor Sie das Gerät entsorgen, schneiden Sie den Netzstecker ab und machen die Türverschlüsse (sofern

vorhanden) unbrauchbar, damit Kinder nicht in Gefahr gebracht werden.

## Aufstellung und Installation

⚠ Falls die Tür des Raumes, in dem der Kühlschrank / Gefrierschrank aufgestellt werden soll, nicht breit genug ist, wenden Sie sich an den autorisierten Kundendienst, lassen die Kühlschrank / Gefrierschrantüren demontieren und befördern das Gerät seitlich durch die Tür.

1. Stellen Sie Ihren Kühlschrank / Gefrierschrank an einer gut erreichbaren Stelle auf.

2. Platzieren Sie den Kühlschrank / Gefrierschrank nicht in der Nähe von Wärmequellen oder dort, wo er Feuchtigkeit oder direktem Sonnenlicht ausgesetzt ist.

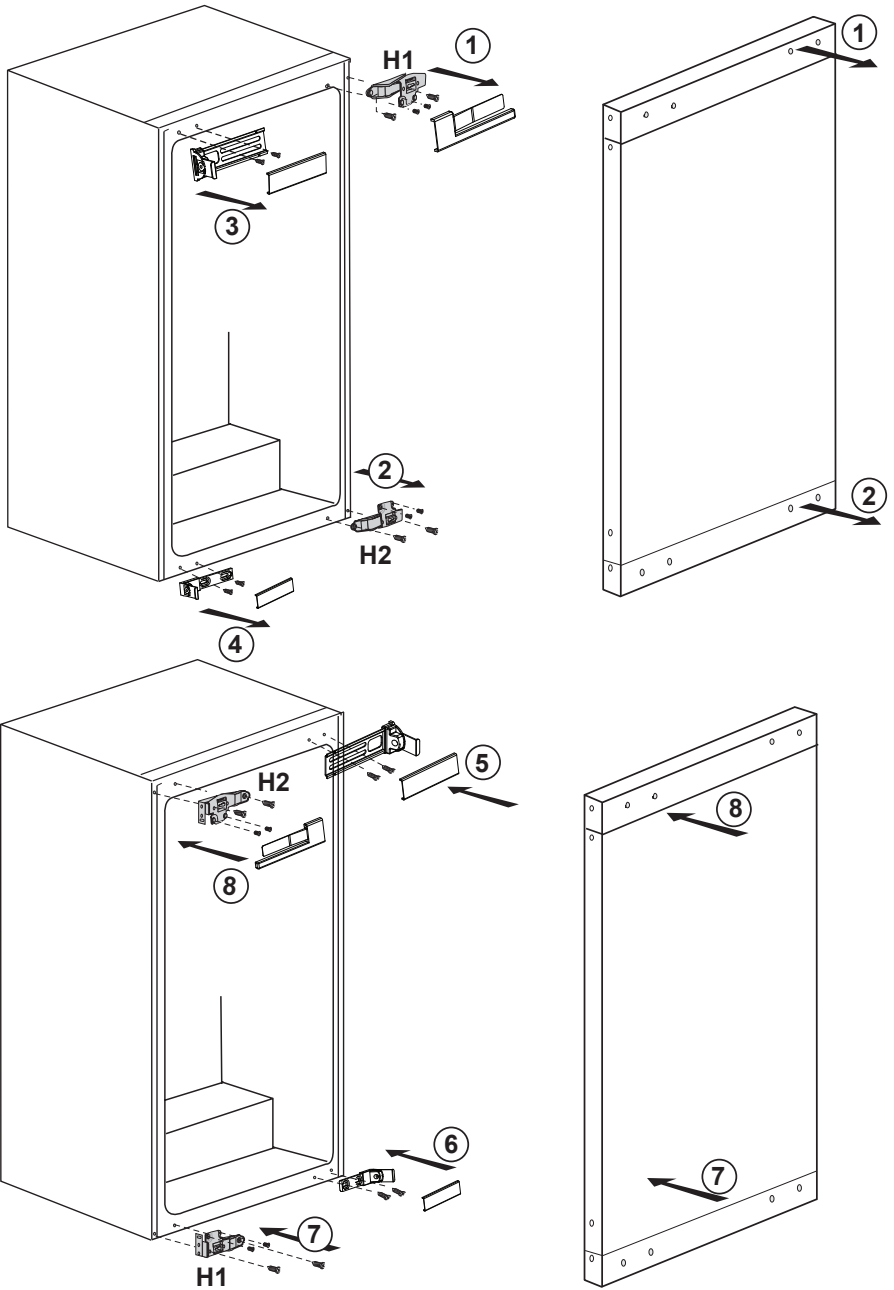
3. Damit das Gerät richtig arbeiten kann, müssen Sie ausreichend Platz um das Gerät herum freilassen, damit eine ordentliche Belüftung gewährleistet ist. Wenn Sie den Kühlschrank / Gefrierschrank in einer Nische aufstellen, müssen Sie einen Abstand von mindestens 5 cm zur Decke und 5 cm zu den Wänden einhalten. Wenn Sie das Gerät auf einem Teppich oder Teppichboden aufstellen, müssen Sie einen Abstand von mindestens 2,5 cm zum Boden einhalten.

4. Stellen Sie Ihren Kühlschrank / Gefrierschrank auf einem ebenen Untergrund auf, damit er nicht wackelt.

## Auswechseln der Beleuchtung

Die Innenbeleuchtung Ihres Kühlschrank/ Gefrierschranks sollte ausschließlich vom autorisierten Kundendienst ausgetauscht werden.

# Türanschlag umkehren

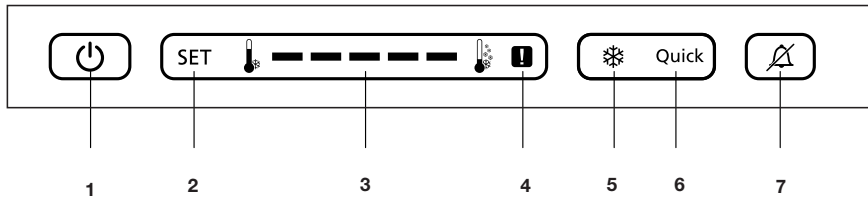


## 4 Vorbereitung

---

- i** Ihr Kühlschrank / Gefrierschrank sollte mindestens 30 cm von Hitzequellen wie Kochstellen, Öfen, Heizungen, Herden und ähnlichen Einrichtungen aufgestellt werden. Halten Sie mindestens 5 cm Abstand zu Elektroöfen ein, vermeiden Sie die Aufstellung im direkten Sonnenlicht.
- i** Die Zimmertemperatur des Raumes, in dem der Kühlschrank / Gefrierschrank aufgestellt wird, sollte mindestens 10 °C betragen. Im Hinblick auf den Wirkungsgrad ist der Betrieb des Kühlschrank / Gefrierschranks bei geringerer Umgebungstemperatur nicht ratsam.
- i** Sorgen Sie dafür, dass das Innere Ihres Kühlschrank / Gefrierschranks gründlich gereinigt wird.
- i** Falls zwei Kühlschränke nebeneinander platziert werden sollen, achten Sie darauf, dass sie mindestens 2 cm voneinander entfernt aufgestellt werden.
- i** Wenn Sie den Kühlschrank / Gefrierschrank zum ersten Mal in Betrieb nehmen, halten Sie sich bitte an die folgenden Anweisungen für die ersten sechs Betriebsstunden.
  - Die Kühlschrank / Gefrierschranktür sollte nicht zu häufig geöffnet werden.
  - Der Kühlschrank / Gefrierschrank muss zunächst vollständig leer arbeiten.
  - Ziehen Sie nicht den Netzstecker. Falls der Strom ausfallen sollte, beachten Sie die Warnhinweise im Abschnitt „Empfehlungen zur Problemlösung“.
- i** Originalverpackung und Schaumstoffmaterialien sollten zum zukünftigen Transport des Gerätes aufbewahrt werden.

## 5 So bedienen Sie Ihren Kühlschrank / Gefrierschrank



### 1- Ein/Aus-Funktion

Drücken Sie die Ein-/Austaste zum Ein- oder Ausschalten des Kühlschranks / Gefrierschranks 3 Sekunden.

### 2- Kühltemperatur einstellen

Mit dieser Funktion geben Sie die Temperatur des Kühlbereichs vor.

Durch mehrmaliges Drücken dieser Taste stellen Sie die Kühlbereichtemperatur auf - (am wärmsten), --, ---, ----, ----- (am kältesten) ein.

### 3 -Kühlbereich temperature instellungsanzeige

Zeigt die für den Kühlbereich eingestellte Temperatur an. Die Einstellungen sind - (am wärmsten), --, ---, ----, ----- (am kältesten)

### 4- Hochtemperatur- / Fehler-Warnanzeige

Diese Leuchte signalisiert zu hohe Innentemperaturen und sonstige Fehler.

### 5- Schnellkühlanzeige

Dieses Symbol leuchtet bei aktiver Schnellkühlen-Funktion auf.

### 6- Schnellkühlen

Wenn Sie die Schnellkühltaste drücken, wird die Innentemperatur über den voreingestellten Wert hinaus weiter abgesenkt.

Diese Funktion dient dazu, Lebensmittel, die im Kühlbereich aufbewahrt werden, schnell herunterzukühlen.

Wenn Sie große Mengen Lebensmittel kühlen möchten, sollten Sie diese Funktion vor dem Einlagern der Lebensmittel einschalten. Die Schnellkühlanzeige leuchtet bei aktiver Schnellkühlfunktion. Zum Abbrechen dieser Funktion drücken Sie die Schnellkühltaste noch einmal. Die Schnellkühlanzeige erlischt, die normalen Einstellungen werden wiederhergestellt.

Sofern Sie diese Funktion nicht vorzeitig abschalten, wird das Schnellkühlen beendet, sobald die nötige Temperatur erreicht ist. Nach 2 Stunden schaltet sich diese Funktion automatisch ab. Diese Funktion wird nach einem Stromausfall nicht automatisch wieder eingeschaltet.

## **7- Alarm aus**

Wenn die Kühlschrank / Gefrierschranktür 2 Minuten geöffnet ist oder ein Sensorfehler vorliegt, ertönt ein akustischer Alarm. Der Alarm kann mit der „Alarm aus“-Taste abgeschaltet werden.

Der Sensorfehleralarm erklingt erst bei einem Stromversorgungsfehler. Wenn Sie die Tür schließen und wieder öffnen, wird der „Tür-offen-Alarm“ nach weiteren 2 Minuten erneut aktiviert.

## 6 Wartung und Reinigung

---

- ⚠ Verwenden Sie zu Reinigungszwecken niemals Benzin oder ähnliche Substanzen.
- ⚠ Wir empfehlen, vor dem Reinigen den Netzstecker zu ziehen.
- ℹ Verwenden Sie zur Reinigung niemals scharfe Gegenstände, Seife, Haushaltsreiniger, Waschmittel oder Wachspolituren.
- ℹ Reinigen Sie das Gehäuse des Gerätes mit lauwarmem Wasser, wischen Sie die Flächen danach trocken.
- ⚠ Zur Reinigung des Innenraums verwenden Sie ein feuchtes Tuch, das Sie in eine Lösung aus 1 Teelöffel Natron und einem halben Liter Wasser getaucht und ausgewrungen haben. Nach dem Reinigen wischen Sie den Innenraum trocken.
- ⚠ Achten Sie darauf, dass kein Wasser in das Lampengehäuse oder andere elektrische Komponenten eindringt.
- ⚠ Wenn Ihr Kühlgerät längere Zeit nicht benutzt wird, ziehen Sie den Netzstecker, nehmen alle Lebensmittel heraus, reinigen das Gerät und lassen die Türe geöffnet.
- ℹ Kontrollieren Sie die Türdichtungen regelmäßig, um sicherzustellen, dass diese sauber und frei von Speiseresten sind.
- ℹ Zum Entfernen einer Türablage räumen Sie sämtliche Gegenständen aus der Ablage und schieben diese dann nach oben heraus.

### Schutz der Kunststoffflächen

- ℹ Geben Sie keine Öle oder stark fetthaltige Speisen offen in Ihren Kühlschrank / Gefrierschrank – dadurch können die Kunststoffflächen angegriffen werden. Sollten die Plastikoberflächen einmal mit Öl in Berührung kommen, so reinigen Sie die entsprechend Stellen umgehend mit warmem Wasser.



## 7 Empfehlungen zur Problemlösung

Bitte arbeiten Sie diese Liste durch, bevor Sie den Kundendienst anrufen. Das kann Ihnen Zeit und Geld sparen. In der Liste finden Sie häufiger auftretende Probleme, die nicht auf Verarbeitungs- oder Materialfehler zurückzuführen sind. Nicht alle hier beschriebenen Funktionen sind bei jedem Modell verfügbar.

### Der Kühlschrank / Gefrierschrank arbeitet nicht.

- Ist der Kühlschrank / Gefrierschrank richtig angeschlossen? Stecken Sie den Netzstecker in die Steckdose.
- Ist die entsprechende Haussicherung herausgesprungen oder durchgebrannt? Überprüfen Sie die Sicherung.

### Kondensation an den Seitenwänden des Kühlbereiches. (Multizone, Kühlkontrolle und FlexiZone)

- Sehr geringe Umgebungstemperaturen. Häufiges Öffnen und Schließen der Tür. Sehr feuchte Umgebung. Offene Lagerung von feuchten Lebensmitteln. Tür nicht richtig geschlossen. Kühlere Thermostateinstellung wählen.
- Türen kürzer geöffnet halten oder seltener öffnen.
- Offene Behälter abdecken oder mit einem geeigneten Material einwickeln.
- Kondensation mit einem trockenen Tuch entfernen und überprüfen, ob diese erneut auftritt.

### Der Kompressor läuft nicht

- Eine Schutzschaltung stoppt den Kompressor bei kurzzeitigen Unterbrechungen der Stromversorgung und wenn das Gerät zu oft und schnell ein- und ausgeschaltet wird, da der Druck des Kühlmittels eine Weile lang ausgeglichen werden muss. Ihr Kühlschrank / Gefrierschrank beginnt nach etwa sechs Minuten wieder zu arbeiten. Bitte wenden Sie sich an den Kundendienst, falls Ihr Kühlschrank / Gefrierschrank nach Ablauf dieser Zeit nicht wieder zu arbeiten beginnt.
- Der Kühlschrank / Gefrierschrank taut ab. Dies ist bei einem vollautomatisch abtauenden Kühlschrank / Gefrierschrank völlig normal. Das Gerät taut von Zeit zu Zeit ab.
- Der Netzstecker ist nicht eingesteckt. Überprüfen Sie, ob das Gerät richtig angeschlossen ist.
- Stimmen die Temperatureinstellungen?
- Eventuell ist der Strom ausgefallen.

Der Kühlschrank / Gefrierschrank arbeitet sehr intensiv oder über eine sehr lange Zeit.

- Ihr neues Gerät ist vielleicht etwas breiter als sein Vorgänger. Dies ist völlig normal. Große Kühlgeräte arbeiten oft längere Zeit.
- Die Umgebungstemperatur ist eventuell sehr hoch. Dies ist völlig normal.
- Das Kühlgerät wurde möglicherweise erst vor kurzem in Betrieb genommen oder mit Lebensmitteln gefüllt. Es kann einige Stunden länger dauern, bis der Kühlschrank / Gefrierschrank seine Arbeitstemperatur erreicht hat.
- Kurz zuvor wurden größere Mengen warmer Speisen im Kühlschrank / Gefrierschrank eingelagert. Heiße Speisen führen dazu, dass der Kühlschrank / Gefrierschrank etwas länger arbeiten muss, bis die geeignete Temperatur zur sicheren Lagerung erreicht ist.
- Türen wurden häufig geöffnet oder längere Zeit nicht richtig geschlossen. Der Kühlschrank / Gefrierschrank muss länger arbeiten, weil warme Luft in den Innenraum eingedrungen ist. Öffnen Sie die Türen möglichst selten.
- Die Tür des Kühl- oder Tiefkühlbereichs war nur angelehnt. Vergewissern Sie sich, dass die Türen richtig geschlossen wurden.
- Die Kühlschrank / Gefrierschranktemperatur ist sehr niedrig eingestellt. Stellen Sie die Kühlschrank / Gefrierschranktemperatur höher ein und warten Sie, bis die gewünschte Temperatur erreicht ist.
- Die Türdichtungen von Kühl- oder Gefrierbereich sind verschmutzt, verschlissen, beschädigt oder sitzen nicht richtig. Reinigen oder ersetzen Sie die Dichtung. Beschädigte oder defekte Dichtungen führen dazu, dass der Kühlschrank / Gefrierschrank länger arbeiten muss, um die Temperatur halten zu können.

Die Temperatur im Tiefkühlbereich ist sehr niedrig, während die Temperatur im Kühlbereich normal ist.

- Die Tiefkühltemperatur ist sehr niedrig eingestellt. Stellen Sie die Gefrierfachtemperatur wärmer ein und prüfen Sie.

Die Temperatur im Kühlbereich ist sehr niedrig, während die Temperatur im Tiefkühlbereich normal ist.

- Die Kühltemperatur ist eventuell sehr niedrig eingestellt. Stellen Sie die Kühlbereichtemperatur wärmer ein und prüfen Sie.

Im Kühlbereich gelagerte Lebensmittel frieren ein.

- Die Kühltemperatur ist eventuell sehr niedrig eingestellt. Stellen Sie die Kühlbereichtemperatur wärmer ein und prüfen Sie.

Die Temperatur im Kühl- oder Tiefkühlbereich ist sehr hoch.

- Die Temperatur des Kühlbereichs ist eventuell sehr hoch eingestellt. Die Einstellung des Kühlbereichs beeinflusst die Temperatur im Tiefkühlbereich. Stellen Sie den Kühl- oder Tiefkühlbereich auf die gewünschte Temperatur ein.
- Türen wurden häufig geöffnet oder längere Zeit nicht richtig geschlossen; weniger häufig öffnen.
- Die Tür wurde eventuell nicht richtig geschlossen; Tür richtig schließen.
- Kurz zuvor wurden größere Mengen warmer Speisen im Kühlschrank / Gefrierschrank eingelagert. Warten Sie, bis der Kühl- oder Tiefkühlbereich die gewünschte Temperatur erreicht.
- Der Kühlschrank / Gefrierschrank war kurz zuvor von der Stromversorgung getrennt. Ihr Kühlschrank / Gefrierschrank braucht einige Zeit, um sich auf die gewünschte Temperatur abzukühlen.

Das Betriebsgeräusch nimmt zu, wenn der Kühlschrank / Gefrierschrank arbeitet.

- Das Leistungsverhalten des Kühlgerätes kann sich je nach Umgebungstemperatur ändern. Dies ist völlig normal und keine Fehlfunktion.

Vibrationen oder Betriebsgeräusche.

- Der Boden ist nicht eben oder nicht fest. Der Kühlschrank / Gefrierschrank wackelt, wenn er etwas bewegt wird. Achten Sie darauf, dass der Boden eben ist und das Gewicht des Kühlschrank / Gefrierschranks problemlos tragen kann.
- Das Geräusch kann durch auf dem Kühlschrank / Gefrierschrank abgestellte Gegenstände entstehen. Nehmen Sie abgestellte Gegenstände vom Kühlschrank / Gefrierschrank herunter.

Fließ- oder Spritzgeräusche sind zu hören.

- Aus technischen Gründen bewegen sich Flüssigkeiten und Gase innerhalb des Gerätes. Dies ist völlig normal und keine Fehlfunktion.

Windähnliche Geräusche sind zu hören.

- Zum gleichmäßigen Kühlen werden Ventilatoren eingesetzt. Dies ist völlig normal und keine Fehlfunktion.

Kondensation an den Kühlschrank / Gefrierschrankinnenflächen.

- Bei heißen und feuchten Wetterlagen tritt verstärkt Eisbildung und Kondensation auf. Dies ist völlig normal und keine Fehlfunktion.
- Die Türen wurden eventuell nicht richtig geschlossen; Türen komplett schließen.
- Türen wurden häufig geöffnet oder längere Zeit nicht richtig geschlossen; weniger häufig öffnen.

Feuchtigkeit sammelt sich an der Außenseite des Kühlschrank / Gefrierschranks oder an den Türen.

- Eventuell herrscht hohe Luftfeuchtigkeit; dies ist je nach Wetterlage völlig normal. Die Kondensation verschwindet, sobald die Feuchtigkeit abnimmt.

Unangenehmer Geruch im Kühlschrank / Gefrierschrankinnenraum.

- Das Innere des Kühlschrank / Gefrierschranks muss gereinigt werden. Reinigen Sie das Innere des Kühlschrank / Gefrierschranks mit einem Schwamm, den Sie mit lauwarmem oder kohlenensäurehaltigem Wasser angefeuchtet haben.
- Bestimmte Behälter oder Verpackungsmaterialien verursachen den Geruch. Verwenden Sie andere Behälter oder Verpackungsmaterial einer anderen Marke.

#### Die Tür wurde nicht richtig geschlossen.

- Lebensmittelpackungen verhindern eventuell das Schließen der Tür. Entfernen Sie die Verpackungen, welche die Tür blockieren.
- Der Kühlschrank / Gefrierschrank steht nicht mit sämtlichen Füßen fest auf dem Boden und schaukelt bei kleinen Bewegungen. Stellen Sie die Höheneinstellschrauben ein.
- Der Boden ist nicht eben oder nicht stabil genug. Achten Sie darauf, dass der Boden eben ist und das Gewicht des Kühlschrank / Gefrierschranks problemlos tragen kann.

#### Das Gemüsefach klemmt.

- Die Lebensmittel berühren eventuell den oberen Teil der Schublade. Ordnen Sie die Lebensmittel in der Schublade anders an.

## **Veillez d'abord lire la notice d'utilisation !**

Chère cliente, cher client,

Nous espérons que votre produit, qui a été fabriqué dans des usines modernes et vérifié au terme des procédures de contrôle de qualité les plus méticuleuses, vous aidera efficacement.

Pour cette raison, nous vous conseillons de lire attentivement tout le manuel d'utilisation de votre produit avant de vous en servir, et de le conserver ensuite pour une utilisation ultérieure.

## **Le présent manuel**

- vous aidera à utiliser votre produit avec rapidité et sécurité.
- Lisez le manuel avant d'installer et de faire fonctionner votre produit.
- Respectez les instructions, notamment celles relatives à la sécurité.
- Conservez ce manuel dans un endroit facilement accessible car vous pouvez en avoir besoin ultérieurement.

- En plus, lisez également les autres documents fournis avec votre produit.

Veillez noter que ce manuel peut également être valide pour d'autres modèles.

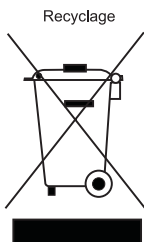
## **Symboles et descriptions**

Vous retrouverez les symboles suivants dans le présent manuel :

 Informations importantes ou astuces.

 Avertissement relatif aux conditions dangereuses pour la vie et la propriété.

 Avertissement relatif à la tension électrique.



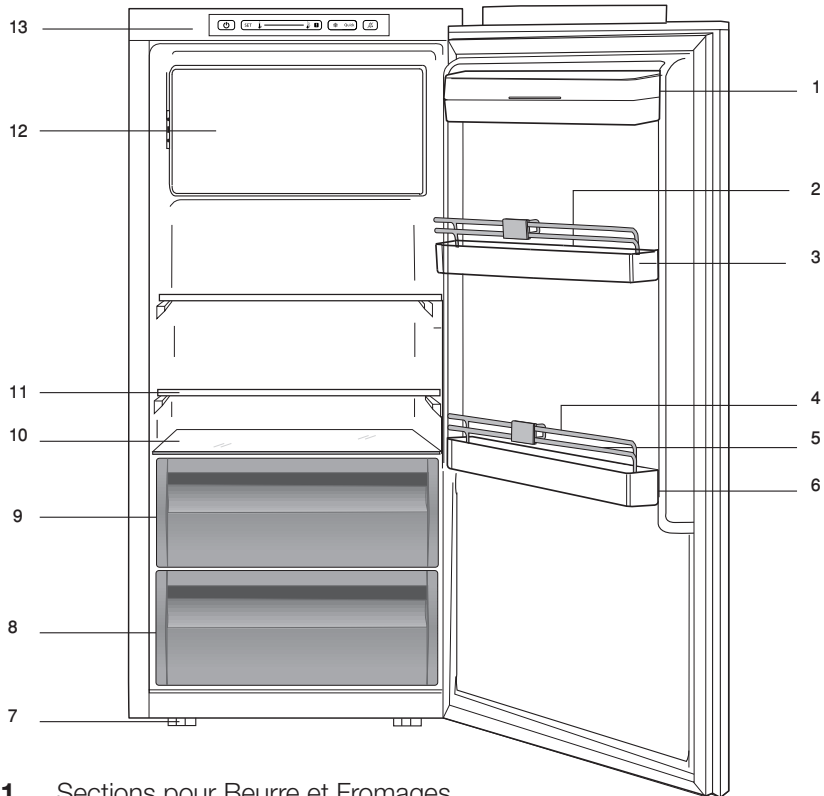
Ce produit est marqué du symbole du tri sélectif, relatif aux déchets d'équipements électriques et électroniques. Cela signifie que ce produit doit être pris en charge par un système de collecte sélectif conformément à la directive européenne 2002/96/CE, afin de pouvoir être recyclé ou démantelé dans le but de réduire tout impact sur l'environnement. Attention les produits électroniques n'ayant pas fait l'objet d'un tri sélectif sont potentiellement dangereux pour l'environnement et la santé humaine en raison de la présence potentielle de substances dangereuses.

## Table des matières

---

<b>1 Votre réfrigérateur</b>	<b>3</b>	<b>4 Préparation</b>	<b>12</b>
<b>2 Précautions importantes pour votre sécurité</b>	<b>4</b>	<b>5 Utilisation de votre réfrigérateur</b>	<b>13</b>
Utilisation prévue .....	4	<b>6 Entretien et nettoyage</b>	<b>15</b>
Pour les appareils dotés d'une fontaine à eau ; .....	7	Protection des surfaces en plastique. ....	15
Sécurité enfants.....	7	<b>7 Solutions recommandées aux problèmes</b>	<b>16</b>
Avertissement HCA .....	7		
Mesures d'économie d'énergie.....	7		
<b>3 Installation</b>	<b>8</b>		
Points à prendre en compte lorsque vous transportez à nouveau votre produit.....	8		
Avant de faire fonctionner votre réfrigérateur /congelateur.....	8		
Mise au rebut de l'emballage .....	9		
Mise au rebut de votre ancien réfrigérateur /congelateur.....	9		
Disposition et Installation .....	9		
Remplacement de la lampe .....	10		

# 1 Votre réfrigérateur



1. Sections pour Beurre et Fromages
2. Support à œufs
3. Étagères réglables
4. Support métallique
5. Range-bouteilles
6. Clayette range-bouteilles
7. Pieds réglables avant
8. Bac à légumes
9. Compartiment Zone fraîche
10. Couvercle du bac à légumes
11. Étagères
12. Compartiment de congélation et bac à glaçons
13. Bandeau indicateur de commande électronique

**ⓘ** Les illustrations présentées dans cette notice d'utilisation sont schématiques et peuvent ne pas correspondre exactement à votre produit. Si des pièces présentées ne sont pas comprises dans le produit que vous avez acheté, elles sont valables pour d'autres modèles.

## 2 Précautions importantes pour votre sécurité

Veillez examiner les informations suivantes : Le non respect de ces consignes peut entraîner des blessures ou dommages matériels. Sinon, tout engagement lié à la garantie et à la fiabilité du produit devient invalide.

La durée de vie du produit que vous avez acheté est de 10 ans. Il s'agit ici de la période au cours de laquelle vous devez conserver les pièces de rechange nécessaires à son fonctionnement.

### Utilisation prévue

Ce produit est prévu pour une utilisation

- en intérieur et dans des zones fermées telles que les maisons ;
  - dans les environnements de travail fermés, tels que les magasins et les bureaux ;
  - dans les lieux d'hébergement fermés, tels que les fermes, hôtels, pensions.
- Cet appareil ne doit pas être utilisé en extérieur.

### Sécurité générale

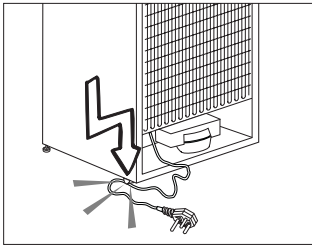
- Avant de vous débarrasser de votre appareil, veuillez consulter les autorités locales ou votre revendeur pour connaître le mode opératoire et les organismes de collecte agréés.
- Consultez le service après-vente agréé concernant toutes questions ou problèmes relatifs au congélateur/réfrigérateur. N'intervenez pas ou ne laissez personne intervenir sur le congélateur/réfrigérateur sans le communiquer au service après-vente agréé.

- Pour les produits équipés d'un compartiment congélateur : ne mangez pas de cônes de crème glacée ou des glaçons immédiatement après les avoir sortis du compartiment de congélation ! (Cela pourrait provoquer des engelures dans votre bouche).
- Pour les produits équipés d'un compartiment congélateur : ne placez pas de boissons en bouteille ou en cannette dans le compartiment de congélation. Cela peut entraîner leur éclatement.
- Ne touchez pas des produits congelés avec les mains, ils pourraient se coller à celles-ci.
- Débranchez votre congélateur/réfrigérateur avant de le nettoyer ou de le dégivrer.
- La vapeur et des matériaux de nettoyage pulvérisés ne doivent jamais être utilisés pour les processus de nettoyage ou de dégivrage de votre congélateur/réfrigérateur. La vapeur pourrait pénétrer dans les pièces électriques et provoquer des courts-circuits ou des électrocutions.
- Ne jamais utiliser les pièces de votre congélateur/réfrigérateur telles que la porte, comme un support ou une marche.
- N'utilisez pas d'appareils électriques à l'intérieur du congélateur/réfrigérateur.
- N'endommagez pas les pièces où circule le liquide réfrigérant avec des outils de forage ou coupants. Le liquide réfrigérant qui pourrait s'échapper si les canalisations de gaz de l'évaporateur, les rallonges de



- tuyau ou les revêtements de surface étaient percés, peut irriter la peau et provoquer des blessures aux yeux.
- Ne pas couvrir ou obstruer les orifices de ventilation du congélateur/réfrigérateur.
  - Les appareils électriques peuvent être réparés seulement par des personnes autorisées. Les réparations réalisées par des personnes ne présentant pas les compétences requises peuvent présenter un risque pour l'utilisateur.
  - En cas de dysfonctionnement ou lors d'opérations d'entretien ou de réparation, débranchez l'alimentation électrique du congélateur/réfrigérateur soit en désactivant le fusible correspondant, soit en débranchant l'appareil.
  - Ne tirez pas sur le câble lorsque vous débranchez la prise.
  - Placez les boissons alcoolisées verticalement, dans des récipients convenablement fermés.
  - Ne conservez jamais des aérosols contenant des substances inflammables et explosives dans le congélateur/réfrigérateur.
  - N'utilisez pas d'outils mécaniques ou autres dispositifs pour accélérer le processus de décongélation autres que ceux qui sont recommandés par le fabricant.
  - Ce produit n'est pas conçu pour être utilisé par des personnes (enfants compris) souffrant de déficience physique, sensorielle, mentale, ou inexpérimentées, à moins d'avoir obtenu une autorisation auprès des personnes responsables de leur sécurité.
  - Ne faites pas fonctionner un congélateur/réfrigérateur endommagé. Consultez le service agréé en cas de problème.
  - La sécurité électrique du congélateur/réfrigérateur n'est assurée que si le système de mise à la terre de votre domicile est conforme aux normes en vigueur.
  - L'exposition du produit à la pluie, la neige, au soleil ou au vent présente des risques concernant la sécurité électrique.
  - Contactez le service agréé quand un câble d'alimentation est endommagé pour éviter tout danger.
  - Ne branchez jamais le congélateur/réfrigérateur à la prise murale au cours de l'installation. Vous vous exposeriez à un risque de mort ou à de blessures graves.
  - Ce congélateur/réfrigérateur est conçu seulement pour conserver des aliments. Par conséquent, il ne doit pas être utilisé à d'autres fins.
  - L'étiquette avec les caractéristiques techniques est située sur le mur gauche à l'intérieur du congélateur/réfrigérateur.
  - Ne branchez jamais votre congélateur/réfrigérateur à des systèmes d'économie d'énergie, cela peut l'endommager.
  - S'il y a une lumière bleue sur le congélateur/réfrigérateur, ne la regardez pas avec des outils optiques.
  - Pour les congélateur/réfrigérateurs contrôlés manuellement, attendez au moins 5 minutes pour allumer le congélateur/réfrigérateur après une coupure de courant.

- Si cet appareil venait à changer de propriétaire, n'oubliez pas de remettre la présente notice d'utilisation au nouveau bénéficiaire.
- Évitez d'endommager le câble d'alimentation quand vous transportez le congélateur/réfrigérateur. Tordre le câble peut entraîner un incendie. Ne placez jamais d'objets lourds sur le câble d'alimentation. Évitez de toucher à la prise avec des mains mouillées au moment de brancher l'appareil.



- Évitez de brancher le congélateur/réfrigérateur lorsque la prise de courant électrique a lâché.
- Pour des raisons d'ordre sécuritaire, évitez de vaporiser directement de l'eau sur les parties externes et internes du congélateur/réfrigérateur.
- Ne pulvérisez pas de substances contenant des gaz inflammables comme du propane près du congélateur/réfrigérateur pour éviter tout risque d'incendie et d'explosion.
- Ne placez jamais de récipients pleins d'eau en haut du congélateur/réfrigérateur, ils pourraient causer des chocs électriques ou incendie.
- Ne surchargez pas votre congélateur/réfrigérateur avec des quantités de nourriture excessives. S'il est

surchargé, les aliments peuvent tomber, vous blesser et endommager le congélateur/réfrigérateur quand vous ouvrez la porte. Ne placez jamais d'objets au-dessus du congélateur/réfrigérateur, ils pourraient tomber quand vous ouvrez ou fermez la porte du congélateur/réfrigérateur.

- Les produits qui nécessitent un contrôle de température précis (vaccin, médicament sensible à la chaleur, matériels scientifiques, etc.) ne doivent pas être conservés dans le congélateur/réfrigérateur.
- Si le congélateur/réfrigérateur n'est pas utilisé pendant longtemps, il doit être débranché. Un problème avec le câble d'alimentation pourrait causer un incendie.
- Le bout de la prise électrique doit être nettoyé régulièrement, sinon il peut provoquer un incendie.
- Le bout de la prise électrique doit être nettoyé régulièrement à l'aide d'un chiffon sec, sinon il peut provoquer un incendie.
- Le congélateur/réfrigérateur peut bouger si ses pieds réglables ne sont pas bien fixés sur le sol. Bien fixer les pieds réglables sur le sol peut empêcher le congélateur/réfrigérateur de bouger.
- Quand vous transportez le congélateur/réfrigérateur, ne le tenez pas par la poignée de la porte. Cela peut le casser.
- Quand vous devez placer votre produit près d'un autre congélateur/réfrigérateur ou congélateur, la distance entre les appareils doit être d'au moins 8 cm. Sinon, les murs adjacents peuvent être humidifiés.

## **Pour les appareils dotés d'une fontaine à eau ;**

La pression de l'alimentation en eau doit être au minimum de 1 bar. La pression de l'alimentation en eau doit être au maximum de 8 bars.

- Utilisez uniquement de l'eau potable.

## **Sécurité enfants**

- Si la porte a un verrouillage, la clé doit rester hors de portée des enfants.
- Les enfants doivent être surveillés et empêchés de s'amuser avec le produit.

## **Avertissement HCA**

### **Si le système de refroidissement de votre appareil contient R600a:**

Ce gaz est inflammable. Par conséquent, veuillez prendre garde à ne pas endommager le système de refroidissement et les tuyauteries lors de son utilisation ou de son transport. En cas de dommages, éloignez votre produit de toute source potentielle de flammes susceptible de provoquer l'incendie de l'appareil. De même, placez le produit dans une pièce aérée.

### **Ne tenez pas compte de cet avertissement si le système de refroidissement de votre appareil contient R134a.**

Le type de gaz utilisé dans l'appareil est mentionné sur la plaque signalétique située sur le mur gauche à l'intérieur du congélateur/réfrigérateur.

Ne jetez jamais l'appareil au feu pour vous en débarrasser.

## **Mesures d'économie d'énergie**

- Ne laissez pas les portes du congélateur/réfrigérateur ouvertes pendant une durée prolongée.
- N'introduisez pas de denrées ou de boissons chaudes dans le congélateur/réfrigérateur.
- Ne surchargez pas le congélateur/réfrigérateur pour ne pas obstruer pas la circulation d'air à l'intérieur.
- N'installez pas le congélateur/réfrigérateur à la lumière directe du soleil ou près d'appareil émettant de la chaleur tels qu'un four, un lave-vaisselle ou un radiateur.
- Veillez à conserver vos denrées dans des récipients fermés.
- Pour les produits équipés d'un compartiment congélateur : vous pouvez conserver une quantité maximale d'aliments dans le congélateur quand vous enlevez l'étagère ou le tiroir du congélateur. La consommation d'énergie précisée pour votre congélateur/réfrigérateur a été déterminée en enlevant l'étagère ou le tiroir du congélateur et avec la charge maximale. Il n'y a aucun risque à utiliser une étagère ou un tiroir en fonction des formes et tailles des denrées à congeler.
- La décongélation des aliments dans le compartiment congélateur/réfrigérateur permet de faire des économies d'énergie et de préserver la qualité des aliments.

### 3 Installation

⚠ Veuillez noter que le fabricant ne pourra être tenu responsable si les informations fournies dans cette notice d'utilisation ne sont pas respectées.

#### Points à prendre en compte lorsque vous transportez à nouveau votre produit.

1. Le congélateur/réfrigérateur doit être vidé et nettoyé avant tout transport.
2. Les clayettes, accessoires, bac à légumes, etc. de votre congélateur/réfrigérateur doivent être fixés solidement avec de la bande adhésive avant de remballer l'appareil, pour le protéger en cas de chocs.
3. L'emballage doit être fixé avec une bande adhésive forte et des cordes solides, et les normes de transport indiquées sur l'emballage doivent être appliquées.

#### Gardez à l'esprit les points suivants...

Chaque matériau recyclé est une participation indispensable à la préservation de la nature et conservation de nos ressources nationales.

Si vous souhaitez contribuer à recycler les matériaux d'emballage, vous pouvez obtenir des informations supplémentaires auprès des organismes environnementaux ou des autorités locales.

#### Avant de faire fonctionner votre réfrigérateur / congélateur

Avant de commencer à faire fonctionner votre réfrigérateur / congélateur, vérifiez les points suivants :

1. L'intérieur du réfrigérateur est sec et l'air peut circuler librement à l'arrière?
2. Insérez les 2 cales en plastique entre les câbles du condenseur, tel qu'illustré dans la figure suivante. Les cales en plastique maintiendront la distance nécessaire entre votre congélateur/réfrigérateur et le mur pour permettre une bonne circulation de l'air. (Le schéma présenté est fourni à titre indicatif et peut ne pas correspondre exactement avec votre produit).
3. Nettoyez l'intérieur du congélateur/réfrigérateur tel qu'indiqué dans la section « Entretien et nettoyage ».
4. Vous remarquerez un bruit lorsque le compresseur se met en marche. Le liquide et les gaz intégrés au système du congélateur/réfrigérateur peuvent également faire du bruit, que le compresseur soit en marche ou non. Ceci est tout à fait normal.
5. Les parties antérieures du congélateur/réfrigérateur peuvent chauffer. Ce phénomène est normal. Ces zones doivent en principe être chaudes pour éviter tout risque de condensation.

## Branchement électrique

Branchez votre congélateur/ réfrigérateur à une prise de mise à la terre protégée par un fusible ayant une capacité appropriée.

Important :

- Le branchement doit être conforme aux normes en vigueur sur le territoire national.
- La fiche de câble d'alimentation doit être facilement accessible après installation.
- La tension spécifiée doit être égale à votre tension de secteur.
- Les rallonges et prises multivoies ne doivent pas être utilisés pour brancher l'appareil.

⚠ Un câble d'alimentation endommagé doit être remplacé par un électricien qualifié.

⚠ L'appareil ne doit pas être mis en service avant d'être réparé ! Un risque de choc électrique existe !

## Mise au rebut de l'emballage

Les matériaux d'emballage peuvent être dangereux pour les enfants. Tenez les matériaux d'emballage hors de portée des enfants ou débarrassez-vous-en conformément aux consignes sur les déchets. Ne les jetez pas aux côtés des ordures ménagères ordinaires.

L'emballage de votre appareil est produit à partir des matériaux recyclables.

## Mise au rebut de votre ancien réfrigérateur / congélateur

Débarrassez-vous de votre ancien congélateur/réfrigérateurs sans nuire à l'environnement.

• Vous pouvez consulter le service après-vente agréé ou le centre chargé de la mise au rebut dans votre municipalité pour en savoir plus sur la mise au rebut de votre produit.

Avant de procéder à la mise au rebut de votre machine, coupez la prise électrique et, le cas échéant, tout verrouillage susceptible de se trouver sur la porte. Rendez-les inopérants afin de ne pas exposer les enfants à d'éventuels dangers.

## Disposition et Installation

⚠ Si la porte d'entrée de la pièce où sera installé le congélateur/ réfrigérateur n'est pas assez large pour laisser passer le réfrigérateur / congélateur, appelez alors le service après-vente pour faire retirer les portes du congélateur/réfrigérateur et le faire passer latéralement.

1. Installez le congélateur/ réfrigérateur dans un emplacement qui permette une utilisation pratique.
2. Maintenez le congélateur/ réfrigérateur éloigné de toutes sources de chaleur, des endroits humides et de la lumière directe du soleil.
3. Une ventilation d'air autour du congélateur/réfrigérateur doit être aménagée pour obtenir un fonctionnement efficace. Si le congélateur/réfrigérateur est placé dans un enfoncement du mur, il doit y avoir un espace d'au moins 5 cm avec

le plafond et d'au moins 5 cm avec le mur. Si le sol est couvert de moquette, votre produit doit être surélevé à 2,5 cm du sol.

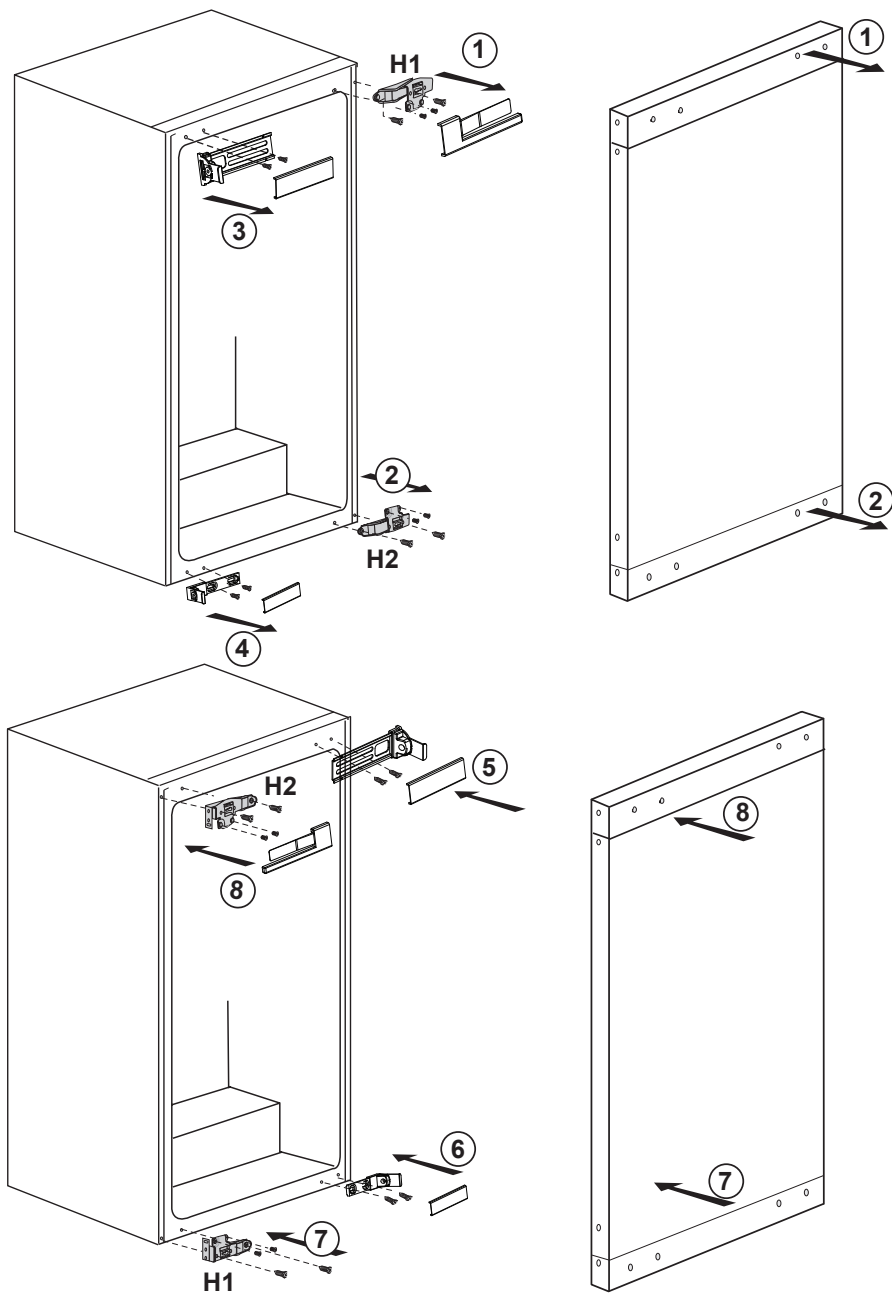
4. Placez le congélateur/ réfrigérateur sur une surface plane afin d'éviter les à-coups.

## **Remplacement de la lampe**

Pour remplacer la lampe d'éclairage du réfrigérateur /congelateur, veuillez contacter le service après-vente agréé.

## Réversibilité des portes

Procédez dans l'ordre numérique



## 4 Préparation

---

- Votre congélateur / réfrigérateur doit être installé à au moins 30 cm des sources de chaleur telles que les plaques de cuisson, les fours, appareils de chauffage ou cuisinières, et à au moins 5 cm des fours électriques. De même, il ne doit pas être exposé à la lumière directe du soleil.

- Veuillez vous assurer que l'intérieur de votre appareil est soigneusement nettoyé.

- La température ambiante de la pièce où vous installez le congélateur / réfrigérateur doit être d'au moins 10°C. Faire fonctionner l'appareil sous des températures inférieures n'est pas recommandé et pourrait nuire à son efficacité.

- Si deux congélateur / réfrigérateurs sont installés côte à côte, ils doivent être séparés par au moins 2 cm.

- Lorsque vous faites fonctionner le congélateur / réfrigérateur pour la première fois, assurez-vous de suivre les instructions suivantes pendant les six premières heures.

- La porte ne doit pas être ouverte fréquemment.

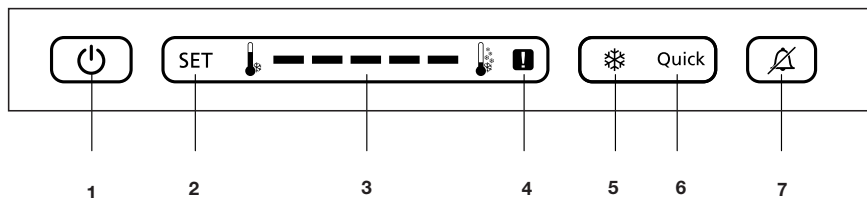
- Le congélateur / réfrigérateur doit fonctionner à vide, sans denrées à l'intérieur.

- Ne débranchez pas le congélateur / réfrigérateur. Si une panne de courant se produit, veuillez vous reporter aux avertissements dans la section « Solutions recommandées aux problèmes ».

- L'emballage et les matériaux de protection d'emballage doivent être conservés pour les éventuels transports ou déplacements à venir.



## 5 Utilisation de votre réfrigérateur



### 1- Fonction Marche/Arrêt

Appuyez sur la touche On/Off pendant 3 secondes pour allumer ou éteindre le réfrigérateur.

### 2 - Fonction de réglage du réfrigérateur

Cette fonction vous donne la possibilité de régler la température du compartiment réfrigérateur.

Appuyez sur ce bouton pour régler la température du compartiment réfrigérateur sur (plus chaud), --, ---, ----, ----- (plus froid) respectivement.

### 3- Indicateur de réglage de température du compartiment réfrigérateur

Indique le réglage de température pour le compartiment réfrigérateur. Les réglages sont les suivants (le plus chaud), --, ---, ----, ----- (le plus froid)

### 4- Température élevée/Indicateur d'avertissement d'erreur

Cet éclairage accompagne des échecs de température élevée et des messages d'erreur.

### 5- Indicateur de réfrigération rapide

Cette icône s'allume lorsque la fonction de réfrigération rapide est active.

### 6 - Fonction de réfrigération rapide

Lorsque vous appuyez sur le bouton Réfrigération rapide, la température du compartiment sera plus froide que les valeurs de réglage.

Cette fonction peut être utilisée pour les denrées placées dans le compartiment de réfrigération que l'on souhaite refroidir rapidement.

Si vous souhaitez introduire de grandes quantités de produits frais dans le réfrigérateur, nous vous recommandons d'activer au préalable cette option. L'indicateur de réfrigération rapide restera allumé pendant que sa fonction est activée. Pour annuler cette fonction, appuyez à nouveau sur le bouton Réfrigération rapide. L'indicateur de réfrigération rapide s'éteindra et retournera à son réglage normal.

Après 2 heures de temps, ou lorsque le compartiment réfrigérateur atteint la température souhaitée, cet indicateur s'annulera automatiquement si vous ne le faites pas. Cette fonction n'est pas reprise lorsque le courant est rétabli après une panne de courant.

## **7- Alarme désactivée**

Lorsque la porte du réfrigérateur reste ouverte pendant 2 minutes ou lorsque le capteur est en panne, une alarme sonore retentit. Pour arrêter l'alarme, appuyez sur le bouton « Alarme désactivée ».

L'alarme de dysfonctionnement du capteur ne retentira qu'en cas de panne électrique. Si vous fermez et ouvrez la porte, « l'alarme d'ouverture de porte » s'active à nouveau au bout de 2 minutes.

## 6 Entretien et nettoyage

---

- ⚠ N'utilisez jamais d'essence, de benzène ou de matériaux similaires pour le nettoyage.
- ⚠ Nous vous recommandons de débrancher l'appareil avant de procéder au nettoyage.
- ℹ N'utilisez jamais d'ustensiles tranchants, savon, produit de nettoyage domestique, détergent et cirage pour le nettoyage.
- ℹ Utilisez de l'eau tiède pour nettoyer la carrosserie du congélateur / réfrigérateur et séchez-la soigneusement à l'aide d'un chiffon.
- ℹ Utilisez un chiffon humide imbibé d'une solution composée d'une cuillère à café de bicarbonate de soude pour un demi litre d'eau pour nettoyer l'intérieur et séchez soigneusement.
- ⚠ Prenez soin de ne pas faire couler d'eau dans le logement de la lampe et dans d'autres éléments électriques.
- ⚠ En cas de non utilisation de votre congélateur / réfrigérateur pendant une période prolongée, débranchez le câble d'alimentation, sortez toutes les denrées, nettoyez-le et laissez la porte entrouverte.
- ℹ Inspectez les joints de porte régulièrement pour vérifier qu'ils sont propres et qu'il n'y a pas de particules de nourriture.
- ℹ Pour retirer les balconnets de portes, sortez tout son contenu puis poussez simplement le balconnet vers le haut à partir de la base.

### Protection des surfaces en plastique.

- Ne placez pas d'huiles ou de plats huileux dans le congélateur / réfrigérateur dans des récipients non fermés, car les graisses peuvent endommager les surfaces en plastique du congélateur / réfrigérateur. Si vous versez ou éclaboussez de l'huile sur les surfaces en plastique, nettoyez et lavez les parties souillées avec de l'eau chaude immédiatement.

## 7 Solutions recommandées aux problèmes

Veuillez vérifier la liste suivante avant d'appeler le service après-vente. Cela peut vous faire économiser du temps et de l'argent. Cette liste regroupe les problèmes les plus fréquents ne provenant pas d'un défaut de fabrication ou d'utilisation du matériel. Il se peut que certaines des fonctions décrites ne soient pas présentes sur votre produit.

### Le congélateur / réfrigérateur ne fonctionne pas.

- Le congélateur / réfrigérateur est-il correctement branché ? Insérez la prise dans la prise murale.
- Est-ce que le fusible ou la douille de raccord du congélateur / réfrigérateur sont connectés ou est-ce que le fusible principal a sauté ? Vérifiez le fusible.

### Condensation sur la paroi intérieure du compartiment congélateur / réfrigérateur. (MULTIZONE, COOL CONTROL et FLEXI ZONE).

- Température ambiante très basse. Ouvertures et fermetures fréquentes de la porte. Humidité ambiante très élevée. Conservation de denrées liquides dans des récipients ouverts. Porte laissée entrouverte. Réglez le thermostat à un niveau de froid supérieur.
- Réduisez les temps d'ouverture de la porte ou utilisez-la moins fréquemment.
- Couvrez les denrées dans des récipients ouverts à l'aide d'un matériau adapté.
- Essuyez la condensation à l'aide d'un tissu sec et vérifiez si elle persiste.

### Le compresseur ne fonctionne pas.

- Le dispositif de protection thermique du compresseur sautera en cas de coupures soudaines du courant ou de débranchement intempestif, en effet la pression du liquide réfrigérant du système de refroidissement ne sera pas équilibrée. Le congélateur / réfrigérateur recommencera à fonctionner normalement après 6 minutes environ. Veuillez contacter le service après-vente si le congélateur / réfrigérateur ne redémarre pas après cette période.
- Le congélateur / réfrigérateur est en mode de dégivrage. Cela est normal pour un congélateur / réfrigérateur à dégivrage semi-automatique. Le cycle de dégivrage se déclenche régulièrement.
- Le congélateur / réfrigérateur n'est pas branché à la prise. Assurez-vous que la prise est branchée à la prise murale.
- Les réglages de température sont-ils corrects ?
- Il se peut qu'il y ait une panne d'électricité.

Le congélateur / réfrigérateur fonctionne fréquemment ou pendant de longues périodes.

- Votre nouveau congélateur / réfrigérateur est peut être plus large que l'ancien. Ceci est tout à fait normal. Les grands congélateur / réfrigérateurs fonctionnent pendant une période de temps plus longue.
- La température ambiante de la salle peut être élevée. Ceci est tout à fait normal.
- Le congélateur / réfrigérateur pourrait y avoir été branché tout récemment ou pourrait avoir été chargé de denrées alimentaires. Le refroidissement complet du congélateur / réfrigérateur peut durer quelques heures de plus.
- D'importantes quantités de denrées chaudes ont peut être été introduites dans le congélateur / réfrigérateur récemment. Les denrées chaudes provoquent un fonctionnement prolongé du congélateur / réfrigérateur avant d'atteindre le niveau de température de conservation raisonnable.
- Les portes ont peut être été ouvertes fréquemment ou laissées entrouvertes pendant une durée prolongée. L'air chaud qui entre dans le congélateur / réfrigérateur le fait fonctionner pendant de plus longues périodes. Ouvrez les portes moins souvent.
- La porte du congélateur / réfrigérateur ou du congélateur ont peut être été laissées entrouvertes. Vérifiez que les portes sont bien fermées.
- Le congélateur / réfrigérateur est réglé à une température très basse. Réglez la température du congélateur / réfrigérateur à un degré supérieur et attendez jusqu'à ce que la température soit bonne.
- Le joint de la porte du congélateur / réfrigérateur ou du congélateur peut être sale, déchiré, rompu ou mal en place. Nettoyez ou remplacez le joint. Tout joint endommagé/déchiré fait fonctionner le congélateur / réfrigérateur pendant une période de temps plus longue afin de conserver la température actuelle.

La température du congélateur est très basse alors que celle du congélateur / réfrigérateur est correcte.

- La température du congélateur est réglée à une température très basse. Réglez la température du congélateur à un degré supérieur et vérifiez.

La température du congélateur / réfrigérateur est très basse alors que celle du congélateur est correcte.

- Il se peut que la température du congélateur / réfrigérateur a réglée à une température très basse. Réglez la température du congélateur / réfrigérateur à un degré supérieur et vérifiez.

Les denrées conservées dans les tiroirs du compartiment de réfrigération congèlent.

- Il se peut que la température du congélateur / réfrigérateur a réglée à une température très basse. Réglez la température du Congélateur / réfrigérateur à un degré supérieur et vérifiez.

La température dans le congélateur / réfrigérateur ou le congélateur est très élevée.

- La température du congélateur / réfrigérateur a peut être été réglée à un degré très élevé. Le réglage du congélateur / réfrigérateur a un effet sur la température du congélateur. Modifiez la température du congélateur / réfrigérateur ou du congélateur jusqu'à ce qu'elles atteignent un niveau correct.
- Les portes ont peut être été ouvertes fréquemment ou laissées entrouvertes pendant une durée prolongée; ouvrez-les moins fréquemment.
- La porte est peut être restée ouverte; refermez complètement la porte.
- D'importantes quantités de denrées chaudes ont peut être été introduites dans le congélateur / réfrigérateur récemment. Attendez que le congélateur / réfrigérateur ou le congélateur atteigne la bonne température.
- Le congélateur / réfrigérateur y a peut être été branché récemment. Le refroidissement complet du congélateur / réfrigérateur nécessite du temps.

Le niveau sonore augmente lorsque le Congélateur / réfrigérateur est en marche.

- Les caractéristiques de performance du congélateur / réfrigérateur peuvent changer en raison des variations de la température ambiante. Cela est normal et n'est pas un défaut.

#### Vibrations ou bruits

- Le sol n'est pas plat ou n'est pas solide. Le congélateur / réfrigérateur oscille lorsqu'on le bouge lentement. Assurez-vous que le sol est plat et suffisamment solide pour supporter le congélateur / réfrigérateur.
- Les bruits peuvent être produits par les objets placés sur le congélateur / réfrigérateur. Enlevez tout ce qu'il y a au-dessus du congélateur / réfrigérateur.

Le congélateur / réfrigérateur produit des bruits semblables à de l'eau qui coule ou à la pulvérisation d'un liquide.

- Des écoulements de gaz et de liquides se produisent dans le congélateur / réfrigérateur, de par ses principes de fonctionnement. Cela est normal et n'est pas un défaut.

Le congélateur / réfrigérateur produit des bruits semblables à du vent.

- Les ventilateurs sont utilisés pour refroidir le congélateur / réfrigérateur. Cela est normal et n'est pas un défaut.

Condensation sur les parois intérieures du congélateur / réfrigérateur.

- Un temps chaud et humide augmente la formation de givre et de condensation. Cela est normal et n'est pas un défaut.
- La porte est peut être restée ouverte; assurez-vous que les portes sont complètement fermées.
- Les portes ont peut être été ouvertes fréquemment ou laissées entrouvertes pendant une durée prolongée; ouvrez-les moins fréquemment.

De l'humidité est présente à l'extérieur ou entre les portes du congélateur / réfrigérateur.

- Il y a peut être de l'humidité dans l'air; ceci est tout à fait normal par un temps humide. Lorsque l'humidité est faible, la condensation disparaîtra.

Présence d'une mauvaise odeur dans le congélateur / réfrigérateur.

- L'intérieur du congélateur / réfrigérateur doit être nettoyé. Nettoyez l'intérieur du congélateur / réfrigérateur avec une éponge, de l'eau tiède ou de l'eau gazeuse.
- Certains récipients ou matériaux d'emballage peuvent provoquer ces odeurs. Utilisez un autre récipient ou changez de marque de matériau d'emballage.

La porte ne se ferme pas.

- Des récipients peuvent empêcher la fermeture de la porte. Remplacez les emballages qui obstruent la porte.
- Le congélateur / réfrigérateur n'est pas complètement vertical et peut balancer lorsqu'on le bouge légèrement. Réglez les vis de levage.
- Le sol n'est pas plat ou solide. Assurez-vous que le sol est plat et qu'il peut supporter le congélateur / réfrigérateur.

Les bacs à légumes sont coincés.

- Il se peut que les denrées touchent le plafond du tiroir. Disposez à nouveau les denrées dans le tiroir.

## **Gelieve eerst deze gebruiksaanwijzing te lezen!**

Beste klant,

We hopen dat uw product, dat in een moderne fabriek werd geproduceerd en onder de meest nauwkeurige procedures voor kwaliteitscontrole werd gecontroleerd, u doeltreffend van dienst zal zijn.

Wij bevelen daarom aan dat u eerst zorgvuldig de volledige gebruiksaanwijzing van uw product leest voordat u het product gaat gebruiken. Bewaar de handleiding voor toekomstige raadpleging.


## **Deze gebruiksaanwijzing**

- Helpt u uw toestel snel en veilig te gebruiken.
- Lees de gebruiksaanwijzing voordat u het product installeert en gebruikt.
- Volg de instructies, in het bijzonder die met betrekking tot veiligheid.
- Bewaar de gebruiksaanwijzing op een eenvoudig toegankelijke plaats aangezien u deze later nodig kunt hebben.
- Daarnaast dient u ook de andere documenten die bij uw product worden geleverd te lezen.

Let erop dat deze gebruiksaanwijzing ook voor andere modellen kan gelden.

## **Symbolen en hun beschrijvingen**

Deze instructiehandleiding bevat de volgende symbolen:

-  Belangrijke informatie of nuttige gebruikstips.
-  Waarschuwing tegen gevaarlijke omstandigheden voor leven en eigendommen.
-  Waarschuwing tegen elektrische spanning.



Dit product bevat het symbool voor selectief sorteren van afval van elektrische uitrustingen en elektronica (WEEE).

Dit betekent dat dit product moet worden gehanteerd overeenkomstig de Europese richtlijn 2002/96/EC ten einde te worden gerecycleerd of gedemonteerd om de impact op het milieu te minimaliseren. Voor meer informatie, neem a.u.b. contact op met uw plaatselijke of regionale overheid.

Elektronische producten die niet selectief gesorteerd worden, zijn potentieel gevaarlijk voor het milieu en de gezondheid van de mens omwille van de aanwezigheid van gevaarlijke stoffen.

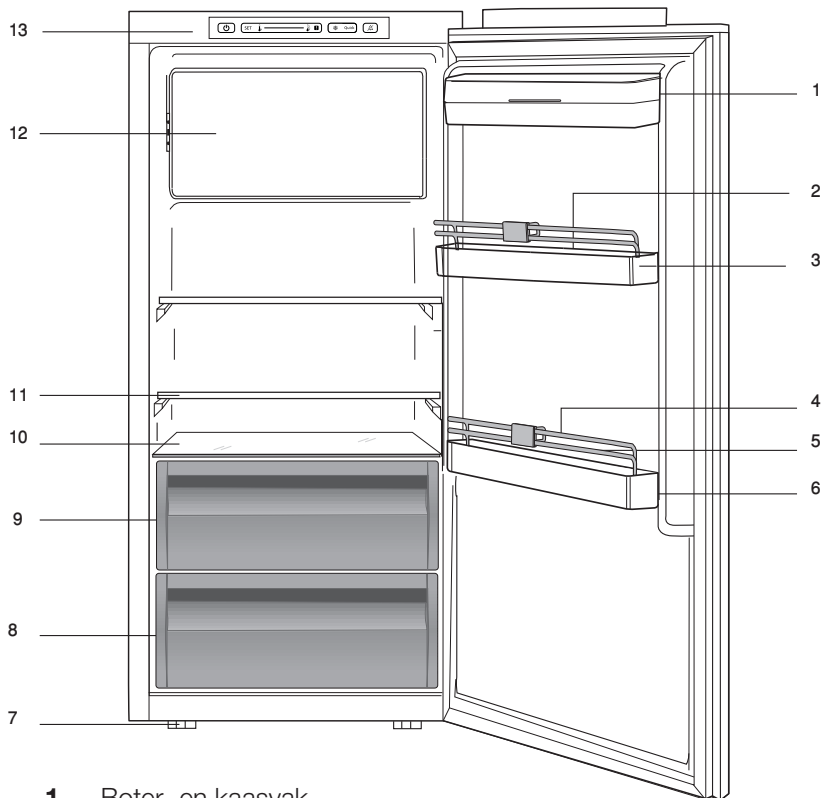


# INHOUD

---

<b>1 Uw koelkast</b>	<b>3</b>	<b>4 Voorbereiding</b>	<b>11</b>
<b>2 Belangrijke Veiligheidswaarschuwingen</b>	<b>4</b>	<b>5 Het gebruik van uw koelkast</b>	<b>12</b>
Bedoeld gebruik .....	4	<b>6 Onderhoud en reiniging</b>	<b>13</b>
Voor producten met een waterdispenser; .....	6	Bescherming van de plastic oppervlakken .....	13
Kinderbeveiliging .....	6	<b>7 Aanbevolen oplossingen voor problemen</b>	<b>14</b>
HCA-waarschuwing.....	7		
Aanwijzingen ter besparing van energie .....	7		
<b>3 Installatie</b>	<b>8</b>		
Aandachtspunten bij het opnieuw transporteren van uw koelkast.....	8		
Alvorens de inwerkingstelling van uw koelkast.....	8		
Elektrische aansluiting .....	8		
Afvoeren van de verpakking.....	9		
Afvoeren van uw oude koelkast .....	9		
Plaatsing en installatie.....	9		
Het vervangen van de lamp .....	9		
De deuren omkeren .....	10		

# 1 Uw koelkast



1. Boter- en kaasvak
2. Eierrekken
3. Deurrekje
4. Beschermerooster
5. Flessenhouder
6. Flessenrek
7. Verstelbare voetjes vooraan
8. Groenteladen
9. Chillervak
10. Deksel groentelade
11. Aanpasbare glazen schappen
12. Diepvriesgedeelte & Ijscontainer
13. Indicatorpaneel elektronische bediening

**i** De afbeeldingen in deze gebruiksaanwijzing zijn schematisch en hoeven niet exact met uw product overeen te komen. Wanneer onderdelen niet tot het product behoren dat u hebt gekocht, zijn deze geldig voor andere modellen.

## 2 Belangrijke Veiligheidswaarschuwingen

Gelieve de volgende informatie goed te bestuderen. Niet-inachtneming van deze informatie kan verwondingen of materiële schade veroorzaken. In dat geval worden alle garanties en betrouwbaarheidsengagementen ongeldig.

De levensduur van de unit die u heeft aangekocht is 10 jaar. Dit is de periode dat u benodigde reserveonderdelen dient te bewaren om de unit te laten werken zoals beschreven.

### Bedoeld gebruik

Dit product is bedoeld voor gebruik

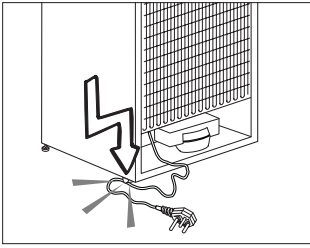
- binnen en in afgesloten ruimtes zoals huizen;
  - in afgesloten werkomgevingen zoals winkels en kantoren;
  - in afgesloten verblijfplaatsen zoals boerenhoeves, hotels, pensions.
- Dit toestel mag niet buitenshuis worden gebruikt.

### Algemene veiligheid

- Wanneer u het product wenst af te voeren, raden wij u aan de bevoegde onderhoudsdienst te raadplegen om de benodigde informatie en bevoegde instanties te leren kennen.
- Raadpleeg uw bevoegde onderhoudsdienst voor alle vragen en problemen met betrekking tot de koelkast. Voer geen ingrepen aan de koelkast uit en laat dit ook niet door iemand anders doen zonder de bevoegde onderhoudsdienst op de hoogte te stellen.

- Voor producten met een diepvriesvak; Eet geen ijs of ijsblokjes meteen nadat u deze uit het diepvriesvak heeft gehaald. (Dit kan bevroering in uw mond veroorzaken.)
- Voor producten met een diepvriesvak; Plaats geen flessen of blikjes met vloeibare dranken in het diepvriesvak. Deze zouden kunnen barsten.
- Raak ingevroren levensmiddelen niet met de hand aan; deze kunnen aan uw hand vastplakken.
- Trek de stekker van uw koelkast uit het stopcontact voordat u deze schoonmaakt of ontdooit.
- Bij het schoonmaken en ontdooien van de koelkast mogen geen stoom en stoomreinigers gebruikt worden. De stoom kan in contact komen met de elektrische onderdelen en kortsluiting of een elektrische schok veroorzaken.
- Gebruik geen onderdelen van uw koelkast zoals de deur als steun of opstapje.
- Gebruik geen elektrische apparaten binnen in de koelkast.
- Beschadig de onderdelen, waar de koelmoeistof circuleert, niet door boor- of snijdgereedschap. De koelmoeistof kan naar buiten geblazen worden wanneer de gasleidingen van de verdamper, leidingverlengingen of oppervlaktecoatings worden doorboord en dit kan huidirritatie en oogletsel veroorzaken.
- Dek of blokkeer de ventilatieopeningen van uw koelkast met geen enkel materiaal.

- Elektrische toestellen mogen enkel door bevoegde personen worden hersteld. Reparaties die door onbevoegde personen worden uitgevoerd kunnen een risico voor de gebruiker opleveren.
- In geval van storing of tijdens onderhoud- of reparatiewerkzaamheden, sluit de stroomtoevoer van de koelkast af door de zekering uit te schroeven of de stekker van het apparaat uit te trekken.
- Bij het uittrekken van de stekker deze niet aan de kabel uittrekken.
- Plaats alcoholische dranken goed afgesloten en verticaal.
- Bewaar nooit spuitbussen met een ontvlambare of explosieve inhoud in de koelkast.
- Gebruik geen andere mechanische gereedschappen of andere middelen om het ontdooiproces te versnellen dan deze aangeraden door de fabrikant.
- Dit product is niet bestemd voor gebruik door personen met een fysieke, zintuiglijke of mentale stoornis of ongeschoolde of onervaren mensen (inclusief kinderen) tenzij deze worden bijgestaan door een persoon die verantwoordelijk is voor hun veiligheid of die hen dienovereenkomstig instructies geeft bij het gebruik van het product
- Gebruik geen beschadigde koelkast. Neem contact op met de dealer als u vragen heeft.
- Elektrische veiligheid van uw koelkast wordt alleen gegarandeerd wanneer het aardingssysteem in uw huis aan de normen voldoet.
- Blootstelling van het product aan regen, sneeuw, zon en wind is gevaarlijk met betrekking tot de elektrische veiligheid.
- Neem contact op met een bevoegde dienst wanneer de stroomkabel beschadigd is om zo gevaar te voorkomen.
- Steek tijdens installatie nooit de stekker van de koelkast in de wandcontactdoos. Er bestaat een kans op overlijden of serieus letsel.
- Deze koelkast is enkel bestemd voor het bewaren van voedsel. Hij mag niet voor andere doeleinden worden gebruikt.
- Het label met technische specificaties bevindt zich aan de linkerwand binnenin de koelkast.
- Sluit je koelkast nooit aan op energiebesparende systemen; deze kunnen de koelkast beschadigen.
- Als er een blauw licht op de koelkast schijnt, kijk er dan niet naar met optische gereedschappen.
- Wacht bij handmatig bediende koelkasten minstens 5 minuten met het aanzetten van de koelkast na stroomuitval.
- Deze gebruikershandleiding moet aan de nieuwe eigenaar van het toestel gegeven worden wanneer het toestel doorgegeven wordt.
- Vermijd schade aan de stroomkabel bij transport van de koelkasten. De kabel plooiën kan vuur veroorzaken. Plaats geen zware voorwerpen op de stroomkabel. Raak de stekker niet aan met natte handen wanneer deze in het stopcontact wordt geplaatst.



- Plaats de stekker van de koelkast niet in het stopcontact als dit stopcontact los is.
- Er mag geen water rechtstreeks op de binnen- of buitendelen van het toestel gesproeid worden omwille van veiligheidsredenen.
- Sproei geen stoffen met ontvlambare gassen zoals propaangas dichtbij de koelkast om gevaar op vuur en ontploffing te voorkomen.
- Plaats geen containers gevuld met water op de koelkast, dit kan elektrische schokken of vuur veroorzaken.
- Overlaad je koelkast niet met overdadige hoeveelheden voedsel. Indien de koelkast overladen is, kan voedsel naar beneden vallen bij het openen en u kwetsen of de koelkast beschadigen. Plaats geen objecten op de koelkast; deze kunnen naar beneden vallen wanneer u de deur open of dicht doet.
- Producten die een nauwkeurige temperatuurregeling nodig hebben (vaccins, hittegevoelige medicatie, wetenschappelijke materialen, enz.) mogen niet in koelkast bewaard worden.
- De koelkast moet worden losgekoppeld indien deze langdurig

niet wordt gebruikt. Een mogelijk probleem met de stroomkabel kan vuur veroorzaken.

- Het uiteinde van de stekker moet regelmatig worden gereinigd, anders kan dit vuur veroorzaken.
- Het uiteinde van de stekker moet regelmatig worden gereinigd met een droge doek, anders kan deze brand veroorzaken.
- De koelkast kan bewegen als de stelvoetjes niet juist op de vloer worden vastgezet. De stelvoetjes juist vastzetten op de vloer kan voorkomen dat de koelkast beweegt.
- Hef de koelkast niet aan het handvat bij verplaatsing. Anders breekt het.
- Als u het product naast een andere koelkast of diepvriezer plaatst, moet de afstand hiertussen minstens 8 cm zijn. Anders kunnen aaneensluitende zijwanden nat worden.

## Voor producten met een waterdispenser;

De waterleidingdruk dient minstens 1 bar te bedragen. De waterleidingdruk mag maximaal 8 bar te bedragen.

- Gebruik alleen drinkwater.

## Kinderbeveiliging

- Indien de deur een slot heeft, moet de sleutel buiten het bereik van kinderen worden gehouden.
- Kinderen moeten onder toezicht staan om te voorkomen dat ze met het product knoeien.

## HCA-waarschuwing

### Als het koelsysteem van uw product R600a bevat:

Dit gas is ontvlambaar. Zorg daarom tijdens gebruik en transport dat het koelsysteem en de leidingen niet beschadigd raken. In het geval van schade: houd uw product weg van mogelijke ontstekingsbronnen die kunnen veroorzaken dat het product vuur vat en ventileer de ruimte waarin de unit is geplaatst.

### Negeer deze waarschuwing als het koelsysteem van uw product R134a bevat.

Het type gas dat in dit product wordt gebruikt staat vermeld op de typeplaat aan de linkerwand binnenin de koelkast.

Gooi het product nooit in vuur voor verwijdering.

- Bewaar uw levensmiddelen in gesloten bakjes.
- Voor producten met een diepvriesvak; U kunt een maximale hoeveelheid voedsel in de diepvries bewaren wanneer u de schappen of lade uit de diepvries verwijdert. De waarde voor energieconsumptie van uw diepvries werd vastgesteld door verwijdering van de diepvries schappen of laden en onder de maximum hoeveelheid. Er bestaat geen risico bij het gebruik van een schap of lade volgens de vorm en grootte van het in te vriezen voedsel.
- Het ontdooien van ingevroren voedsel in het koelkastgedeelte voorziet in energiebesparing en behoud van de voedselkwaliteit.

## Aanwijzingen ter besparing van energie

- Houd de deuren van uw koelkast niet lang open.
- Plaats geen warme levensmiddelen of dranken in de koelkast.
- Overlaad de koelkast niet zodat luchtcirculatie aan de binnenzijde niet geblokkeerd wordt.
- Plaats de koelkast niet in direct zonlicht of naast warmteafgevend apparaten zoals een oven, vaatwasser of radiator.

### 3 Installatie

⚠ De fabrikant kan niet aansprakelijk worden gesteld indien de informatie van deze gebruiksaanwijzing niet in acht wordt genomen.

#### Aandachtspunten bij het opnieuw transporteren van uw koelkast

1. Voor transport dient de koelkast leeg en schoon te zijn.
2. In verband met schokken moeten de schappen, accessoires, groentelade enz. in uw koelkast met plakband vastgezet worden voordat de koelkast opnieuw wordt verpakt.
3. Verpakking moet worden vastgebonden met dikke tape en sterke touwen en de transportregels, gedrukt op de verpakking, moeten opgevolgd worden.

#### Vergeet niet...

Ieder gerecycled materiaal is een essentiële bron voor de natuur en onze nationale bronnen.

Indien u een bijdrage wilt leveren aan recycling van verpakkingsmateriaal, kunt u meer informatie krijgen bij de milieu-instanties of plaatselijke autoriteiten.

#### Alvorens de inwerkingstelling van uw koelkast

Alvorens u uw koelkast gaat gebruiken, controleert u of:

1. De 2 kunststof wiggen op de achterkant van de ventilatie plaatsen zoals in de volgende afbeelding weergegeven. Kunststof wiggen zullen de vereiste afstand geven

tussen uw koelkast en de muur om luchtcirculatie mogelijk te maken.

2. U kunt de twee plastic wiggen installeren zoals weergegeven in de afbeelding. Kunststof wiggen zullen de vereiste afstand geven tussen uw koelkast en de muur om luchtcirculatie mogelijk te maken. (De afbeelding dient alleen als voorbeeld en hoeft niet exact met uw product overeen te komen.)
3. Maak de binnenkant van de koelkast proper, zoals aanbevolen in het hoofdstuk "Onderhoud en reiniging".
4. Steek de stekker van de koelkast in het stopcontact. Wanneer de deur wordt geopend, zal het binnenlichtje aangaan.
5. U zult een geluid horen wanneer de compressor opstart. De vloeistof en de gassen die zich in het koelsysteem bevinden, zouden ook wat lawaai kunnen veroorzaken zelfs wanneer de compressor niet werkt. Dit is normaal.
6. De buitenkant van de koelkast kunnen warm aanvoelen. Dit is normaal. Deze oppervlakken zijn bedoeld om warm te worden om condensvorming te voorkomen.

#### Elektrische aansluiting

Sluit uw koelkast aan in een geaard stopcontact, beschermd door een zekering, met de juiste capaciteit.

Belangrijk:

- ⚠ De aansluiting moet conform de nationale voorschriften zijn.
- ⚠ De stekker van de stroomkabel moet na installatie eenvoudig bereikbaar zijn.

- ⚠ Spanning en toegestane zekeringbescherming worden gespecificeerd in het hoofdstuk "Technische specificaties".
- ⚠ De gespecificeerde spanning moet gelijk zijn aan uw netspanning.
- ⚠ Verlengkabels en meerwegstekkers mogen voor aansluiting niet worden gebruikt.
- ⚠ Een beschadigd netsnoer moet worden vervangen door een erkend elektricien.
- ⚠ Het apparaat mag niet in werking worden gesteld voordat het gerepareerd is! Gevaar op een elektrische schok!

## Afvoeren van de verpakking

De verpakkingsmaterialen kunnen gevaarlijk zijn voor kinderen. Houd het verpakkingsmateriaal buiten bereik van kinderen of voer deze af conform afvalinstructies. Gooi het materiaal niet weg bij het normale huishoudelijk afval.

De verpakking van uw koelkast is vervaardigd uit herbruikbare materialen.

## Afvoeren van uw oude koelkast

Voer uw oude koelkast af zonder het milieu op enige wijze te schaden.

- U kunt uw bevoegde dealer of het afvalcentrum van uw gemeente raadplegen over het afvoeren van uw koelkast.

Voordat u uw koelkast afvoert, snijd de elektrische stekker af. Indien het apparaat is uitgevoerd met deursluitingen, dit slot dan onbruikbaar maken om kinderen tegen gevaar te beschermen.

## Plaatsing en installatie

⚠ Als de toegangsdeur van de kamer waarin de koelkast wordt geïnstalleerd niet breed genoeg is voor de koelkast om erdoor te passen, bel dan de bevoegde dienst zodat deze de deuren van uw koelkast kan verwijderen en de koelkast zijdelings door de deur kan.

1. Installeer uw koelkast op een plaats waar deze gemakkelijk kan worden gebruikt.

2. Houd uw koelkast uit de buurt van warmtebronnen, vochtige plaatsen en direct zonlicht.

3. Er moet geschikte luchtventilatie rond uw koelkast zijn om een efficiënte werking te verkrijgen. Als de koelkast in een uitsparing in de muur wordt geplaatst, moet er minstens 5 cm afstand zijn ten opzichte van het plafond en minstens 5 cm ten opzichte van de muur. Als de vloer met een tapijt bedekt is, moet uw product op 2,5 cm van de vloer staan.

4. Plaats uw koelkast op een vlak vloeroppervlak om schokken te vermijden.

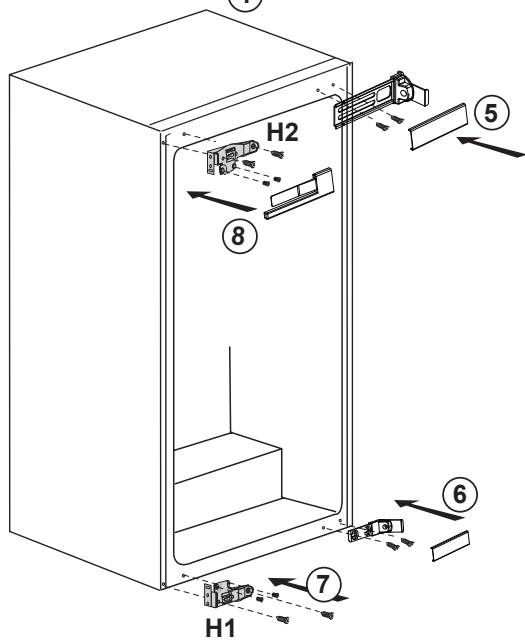
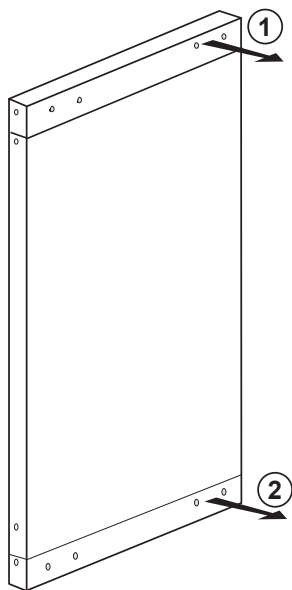
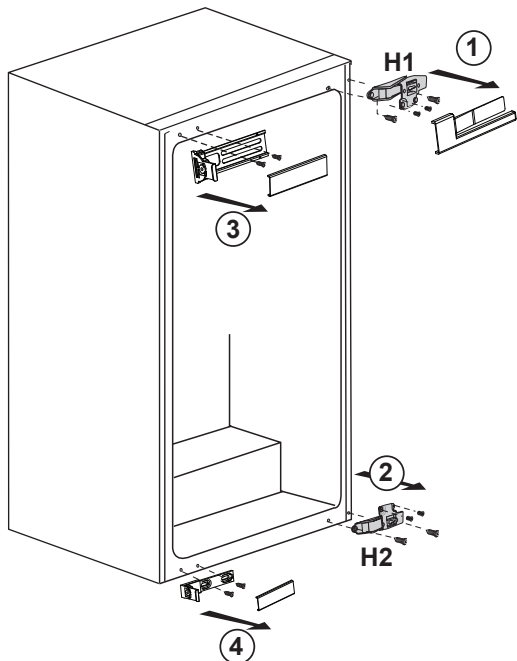
## Het vervangen van de lamp

Om de lamp voor de binnenverlichting van uw koelkast te vervangen, bel uw bevoegde onderhoudsdienst.



## De deuren omkeren

Ga verder in numerieke volgorde.

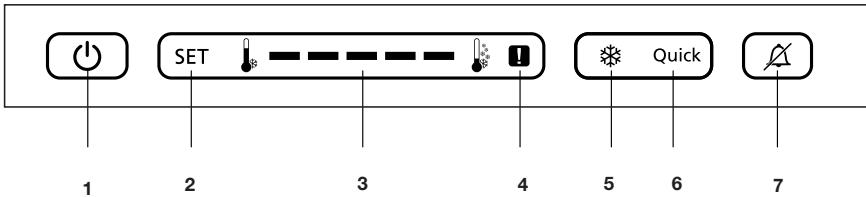


## 4 Voorbereiding

---

- Uw koelkast moet worden geïnstalleerd op minstens 30 cm afstand van warmtebronnen zoals kookplaten, centrale verwarming en kachels en op minstens 5 cm afstand van elektrische ovens. De koelkast mag niet in direct zonlicht worden geplaatst.
- De omgevingstemperatuur van de kamer waarin u de koelkast installeert dient minstens 10°C te zijn. In verband met efficiëntie wordt gebruik van uw koelkast in koudere omstandigheden niet aanbevolen.
- Controleer of de binnenzijde van uw koelkast volledig schoon is.
- Bij installatie van twee koelkasten naast elkaar, moeten de koelkasten op een afstand van minstens 2 cm van elkaar worden geplaatst.
- Wanneer u de koelkast voor de eerste keer in gebruik neemt, gelieve tijdens de eerste zes uur de volgende instructies in acht te houden.
  - De deur niet regelmatig openen.
  - Koelkast moet in bedrijf gesteld worden zonder levensmiddelen.
  - De stekker van de koelkast niet uittrekken. Indien zich een stroomstoring voordoet buiten uw macht, zie de waarschuwingen in het deel “Aanbevolen oplossingen voor problemen”.
- Originele verpakking en schuimmaterialen moeten worden bewaard voor toekomstig transport of verhuizen.

## 5 Het gebruik van uw koelkast



### 1- Aan/uit-functie

Druk op de Aan/Uit-knop gedurende 3 seconden om de koelkast uit te schakelen of aan te zetten.

### 2 - Koelkast instel-functie

Met deze functie kunt u de temperatuurinstelling van het koelvak bepalen.

Druk op deze knop om de temperatuur van het koelvak in te stellen op - (warmste), -, ---, ----, ----- (koudste) respectievelijk.

### 3 - Koelvak

#### temperatuurinstellingsindicator

Geeft de ingestelde temperatuur aan voor het koelvak. De instellingen zijn - (warmst), -, ---, ----, ----- (koudst)

### 4 - Hoge temperatuur fout / waarschuwingsindicator

Dit lampje gaat branden bij hoge temperatuurstoringen en foutmeldingen.

### 5 - Quick Fridge-indicator

Dit pictogram brandt wanneer de Quick Fridge-functie actief is.

### 6 - Quick Fridge-functie

Wanneer u drukt op de knop Quick Fridge, zal de temperatuur van het vak kouder zijn dan de ingestelde waarden.

Deze functie kan worden gebruikt wanneer levensmiddelen in het koelvak

worden geplaatst die snel moeten worden afgekoeld.

Als u grote hoeveelheden verse levensmiddelen wilt koelen, is het raadzaam om deze functie te activeren voordat u ze in de koelkast plaatst. De Quick Fridge-indicator blijft branden wanneer de Quick Fridge-functie is ingeschakeld. Om deze functie te annuleren, drukt u opnieuw op de knop Quick Fridge. De Quick Fridge-indicator zal uitgaan en terugkeren naar de normale instellingen.

Als u de functie niet annuleert, schakelt Quick Fridge zich automatisch zelf uit na 2 uur of wanneer het koelvak de gewenste temperatuur bereikt. Deze functie wordt niet opgeroepen wanneer de stroom herstelt na een stroomstoring.

### 7- Alarm Uit

Wanneer de koelkastdeur wordt geopend gedurende 2 minuten of wanneer er een sensordefect is, schakelt een geluidsalarm in. Het alarm kan worden uitgeschakeld door op de knop "Alarm uit" te drukken.

Het storingsalarm van de sensor gaat niet af tot er stroomuitval is. Als u de deur sluit en weer opent, wordt het "Deur open alarm" 2 minuten later opnieuw geactiveerd.

## 6 Onderhoud en reiniging

---

- ⚠ Gebruik nooit benzine, benzeen of gelijksoortige substanties voor het reinigingswerk.
- ⚠ Wij bevelen aan dat u de stekker uit het toestel trekt voordat u met reinigen begint.
- ⚠ Gebruik nooit scherpe voorwerpen, zeep, huishoudproducten, afwasmiddel of boenwas om te poetsen.
- i** Gebruik lauwwarm water om de kast van uw koelkast schoon te maken en wrijf deze droog.
- i** Gebruik een vochtige doek, uitgewrongen in een oplossing van één koffielepel natriumbicarbonaat voor 50 cl water, om de binnenkant schoon te maken en wrijf vervolgens droog.
- ⚠ Zorg ervoor dat er geen water in de lamp en andere elektrische onderdelen binnensijpelt.
- ⚠ Als uw koelkast voor een lange periode niet zal worden gebruikt, trek dan de stroomkabel uit, verwijder alle etenswaren, maak de koelkast schoon en laat de deur op een kier staan.
- i** Kijk de deurgrendels regelmatig na om u ervan te overtuigen dat ze schoon en vrij van etensresten zijn.

- ⚠ Om deurroosters te verwijderen, verwijder de inhoud en druk het deurrooster vervolgens eenvoudigweg naar boven vanaf de basis.

### Bescherming van de plastic oppervlakken

- i** Plaats geen vloeibare olie of in olie bereide maatlijden in uw koelkast in onafgedichte bakjes. Deze kunnen de plastic oppervlakken van uw koelkast beschadigen. Mocht u olie morsen op de kunststof oppervlakken, reinig dit deel van het oppervlak dan direct met warm water en spoel af.

## 7 Aanbevolen oplossingen voor problemen

Controleer de volgende punten voordat u de onderhoudsdienst belt. Dit kan u tijd en geld besparen. Deze lijst omvat regelmatige klachten die niet voortkomen uit defect vakmanschap of materiaalgebruik. Het is mogelijk dat bepaalde functies die hier beschreven zijn niet tot uw product behoren.

### De koelkast werkt niet.

- Zit de stekker van de koelkast goed in het stopcontact? Steek de stekker in het stopcontact.
- Is de zekering van het stopcontact waarop de koelkast is aangesloten of de hoofdzekering gesprongen? Controleer de zekering.

### Condensvorming langs de wand van het koelgedeelte (MULTI ZONE, COOL CONTROL en FLEXI ZONE).

- Zeer koude omgevingsomstandigheden. Regelmatig openen en sluiten van de deur. Zeer vochtige omgevingsomstandigheden. Bewaren van levensmiddelen met vloeistof in open bakjes. De deur staat op een kier. Zet de thermostaat kouder.
- Zorg dat de deur minder lang open staat of dat deze minder vaak wordt geopend.
- Dek de eetwaar die in open bakjes wordt bewaard af met een daarvoor geschikt materiaal.
- Veeg condens af met een droge doek en controleer of condensvorming aanhoudt.

### De compressor draait niet

- Thermische bescherming van de compressor kan springen gedurende plotselinge stroomuitval of afsluiting van de stroomtoevoer wanneer de druk van het koelmiddel in het koelsysteem van de koelkast niet in balans is. De koelkast gaat na ongeveer 6 minuten draaien. Neem contact op met de onderhoudsdienst wanneer uw koelkast na deze periode niet start.
- De koelkast zit in een ontdooicyclus. Dit is normaal voor een volledig automatisch ontdooiende koelkast. Ontdooicyclus vindt periodiek plaats.
- De stekker van uw koelkast steekt niet in het stopcontact. Zorg ervoor dat de stekker correct in het stopcontact is gestoken.
- Zijn de temperatuurinstellingen goed ingesteld?
- De stroom werd mogelijk onderbroken.

De koelkast werkt frequent of gedurende lange tijd.

- Uw nieuwe product kan breder zijn dan de vorige. Dit is normaal. Grote koelkasten werken gedurende langere tijd.
- De omgevingstemperatuur kan hoog zijn. Dit is normaal.
- De stekker van de koelkast kan onlangs ingestoken zijn of de koelkast kan zijn volgeladen met etenswaren. Het compleet afkoelen van de koelkast kan enkele uren langer in beslag nemen.
- Grote hoeveelheden warme levensmiddelen kunnen recentelijk in de koelkast zijn geplaatst. Warme levensmiddelen maken dat de koelkast langer werkt tot deze eetwaar de veilige bewaar temperatuur heeft bereikt.
- Deuren kunnen regelmatig geopend zijn of gedurende enige tijd op een kier hebben gestaan. De warme lucht die in de koelkast is binnengekomen maakt dat de koelkast langer werkt. Open de deuren minder vaak.
- De deur van het diepvries- of koelgedeelte kan op een kier hebben gestaan. Controleer of de deuren goed gesloten zijn.
- De koelkast is zeer koud ingesteld. Stel de koelkasttemperatuur hoger en wacht tot de temperatuur wordt bereikt.
- Deurafdichting van de koelkast of diepvriezer kan vuil, versleten, gebroken of niet goed geplaatst zijn. Maak de afdichting schoon of vervang deze. Een beschadigde/gebroke n afdichting maakt dat de koelkast langer moet werken om de huidige temperatuur te handhaven.

Diepvriestemperatuur is erg laag terwijl de koelkasttemperatuur voldoende is.

- De diepvriestemperatuur is zeer koud ingesteld. Stel de diepvriezertemperatuur hoger in en controleer.

Koelkasttemperatuur is erg laag terwijl de diepvries temperatuur voldoende is.

- De koelkasttemperatuur is mogelijk zeer koud ingesteld. Stel de koelkasttemperatuur hoger in en controleer.

Etenswaren die in laden van het koelgedeelte worden bewaard, bevroren.

- De koelkasttemperatuur is mogelijk zeer koud ingesteld. Stel de koelkasttemperatuur hoger in en controleer.

Temperatuur in de koelkast of diepvriezer is zeer hoog.
<ul style="list-style-type: none"> <li>• De koelkasttemperatuur is mogelijk zeer warm ingesteld. Koelkastinstelling is van invloed op de temperatuur van de diepvriezer. Verander de temperatuur van de koelkast of diepvriezer totdat de temperatuur van de koelkast of diepvriezer het gewenste niveau bereikt.</li> <li>• Deuren kunnen regelmatig geopend zijn of gedurende enige tijd op een kier hebben gestaan; doe ze minder vaak open.</li> <li>• De deur is mogelijk op een kier blijven staan; doe de deur volledig dicht.</li> <li>• Grote hoeveelheden warme levensmiddelen kunnen recentelijk in de koelkast zijn geplaatst. Wacht tot de koelkast of diepvriezer de gewenste temperatuur heeft bereikt.</li> <li>• De koelkast kan recentelijk ingeschakeld zijn. Het kost tijd om de koelkast volledig te laten afkoelen.</li> </ul>
Het werkingsgeluid neemt toe wanneer de koelkast werkt.
<ul style="list-style-type: none"> <li>• De werking van de koelkast kan veranderen als gevolg van wijzigingen in de omgevingstemperatuur. Dit is normaal en geen defect.</li> </ul>
Vibratie of geluid.
<ul style="list-style-type: none"> <li>• De vloer is niet gelijk of is zwak. De koelkast kantelt een beetje wanneer langzaam wordt bewogen. Zorg dat de vloer vlak vlak en sterk genoeg is om de koelkast te dragen.</li> <li>• Het geluid kan worden veroorzaakt door voorwerpen die op de koelkast zijn geplaatst. Voorwerpen bovenop de koelkast moeten worden verwijderd.</li> </ul>
Een geluid van morsende of sprayende vloeistof komt uit de koelkast.
<ul style="list-style-type: none"> <li>• Vloeistof- en gasstromen vinden plaats conform de werkingsprincipes van uw koelkast. Dit is normaal en geen defect.</li> </ul>
Een geluid van wind die blaast.
<ul style="list-style-type: none"> <li>• Er worden ventilatoren gebruikt om de koelkast te koelen. Dit is normaal en geen defect.</li> </ul>
Condens op de binnenwanden van de koelkast.
<ul style="list-style-type: none"> <li>• Met warm en vochtig weer neemt ijs- en condensvorming toe. Dit is normaal en geen defect.</li> <li>• De deuren kunnen op een kier hebben gestaan, zorg ervoor dat de deuren volledig gesloten zijn.</li> <li>• Deuren kunnen regelmatig geopend zijn of gedurende enige tijd op een kier hebben gestaan; doe ze minder vaak open.</li> </ul>
Vocht aan de buitenkant van de koelkast of tussen de deuren.
<ul style="list-style-type: none"> <li>• De lucht is mogelijk vochtig; dit is vrij normaal bij vochtig weer. Wanneer de vochtigheid minder wordt, zal de condens verdwijnen.</li> </ul>

#### Slechte geur binnenin de koelkast.

- De binnenkant van de koelkast moet gereinigd worden. Maak de binnenkant van de koelkast schoon met een spons met lauw of sodawater.
- Sommige bakjes of verpakkingsmaterialen kunnen de geur veroorzaken. Gebruik een ander bakje of ander soort verpakkingsmateriaal.

#### De deur sluit niet.

- Het kan zijn dat voedselpakketjes veroorzaken dat de deur niet sluit. Verplaats de pakketjes die de deur belemmeren.
- De koelkast staat niet volledig waterpas op de vloer en wiebelt wanneer ze lichtjes wordt verplaatst. Stel de hoogteschroeven anders in.
- De vloer is niet gelijk of stevig. Zorg dat de vloer vlak is en de koelkast kan dragen.

#### Groenteladen zitten vast.

- De levensmiddelen kunnen de bovenzijde van de lade raken. Herschik de levensmiddelen in de lade.



