

OVEN

User Manual

FOUR

Manuel d'utilisation

OFEN

Gebrauchsanleitung

OVN

Gebruikershandleiding

Please read this user manual first!

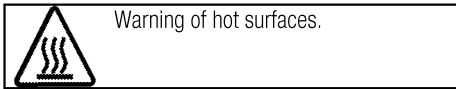
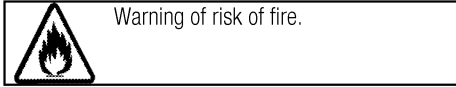
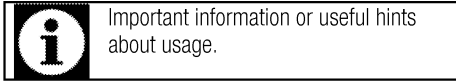
Dear Customer,

Thank you for purchasing this Beko product. We hope that you get the best results from your product which has been manufactured with high quality and state-of-the-art technology. Therefore, please read this entire user manual and all other accompanying documents carefully before using the product and keep it as a reference for future use. If you handover the product to someone else, give the user manual as well. Follow all warnings and information in the user manual.

Remember that this user manual is also applicable for several other models. Differences between models will be identified in the manual.

Explanation of symbols

Throughout this user manual the following symbols are used:



Arçelik A.Ş.

Karaağaç caddesi No:2-6
34445 Söğütözü/İstanbul/TURKEY

Made in TURKEY

CE

TABLE OF CONTENTS

1 Important instructions and warnings for safety and environment 4

General safety.....	4
Safety when working with gas.....	4
Product safety.....	5
Intended use.....	7
Safety for children.....	7
Disposing of the old product.....	7
Package information.....	8

2 General information 9

Overview.....	9
Package contents.....	10
Technical specifications.....	11
Injector table.....	11

3 Installation 12

Before installation.....	12
Installation and connection.....	13
Future Transportation.....	14

4 Preparation 15

Tips for saving energy.....	15
Initial use.....	15
First cleaning of the appliance.....	15

Initial heating.....	15
----------------------	----

5 How to use the hob 16

General information about cooking.....	16
Using the hobs.....	16

6 How to operate the oven 18

General information on baking, roasting and grilling.....	18
How to use the gas oven.....	18
Cooking times table.....	19
How to operate the gas grill.....	20
Cooking times table.....	20

7 Maintenance and care 21

General information.....	21
Cleaning the hob.....	21
Cleaning the control panel.....	21
Cleaning the oven.....	21
Removing the oven door.....	22
Replacing the oven lamp.....	22

8 Troubleshooting 23

1 Important instructions and warnings for safety and environment

This section contains safety instructions that will help protect from risk of personal injury or property damage. Failure to follow these instructions shall void any warranty.

General safety

- This appliance can be used by children aged from 8 years and above and persons with reduced physical, sensory or mental capabilities or lack of experience and knowledge if they have been given supervision or instruction concerning use of the appliance in a safe way and understand the hazards involved.

Children shall not play with the appliance. Cleaning and user maintenance shall not be made by children without supervision.

- Never place the product on a carpet-covered floor. Otherwise, lack of airflow beneath the product will cause electrical parts to overheat. This will cause problems with your product.
- Installation and repair procedures must always be performed by Authorized Service Agents. The manufacturer shall not be held responsible for damages arising from procedures carried out by unauthorized persons which may

also void the warranty. Before installation, read the instructions carefully.

- Do not operate the product if it is defective or has any visible damage.
- Control that the product function knobs are switched off after every use.

Safety when working with gas

- Any works on gas equipment and systems may only be carried out by authorised qualified persons who are Gas Safe registered.
- Prior to the installation, ensure that the local distribution conditions (nature of the gas and gas pressure) and the adjustment of the appliance are compatible.
- This appliance is not connected to a combustion products or evacuation device. It shall be installed and connected in accordance with current installation regulations. Particular attention shall be given to the relevant requirements regarding ventilation; See *Before installation*, page 12
- The use of gas cooking appliance results in the production of heat and moisture in the room in which it is installed. Ensure that the

kitchen is well ventilated: keep natural ventilation holes open or install a mechanical ventilation device (mechanical extractor hood). Prolonged intensive use of the appliance may call for additional ventilation, for example increasing the level of the mechanical ventilation where present.

- Gas appliances and systems must be regularly checked for proper functioning. Regulator, hose and its clamp must be checked regularly and replaced within the periods recommended by its manufacturer or when necessary.
- Clean the gas burners regularly. The flames should be blue and burn evenly.
- Good combustion is required in gas appliances. In case of incomplete combustion, carbon monoxide (CO) might develop. Carbon monoxide is a colourless, odourless and very toxic gas, which has a lethal effect even in very small doses.
- Request information about gas emergency telephone numbers and safety measures in case of gas smell from you local gas provider.

What to do when you smell gas

- Do not use open flame or do not smoke. Do not operate any

electrical buttons (e.g. lamp button, door bell and etc.) Do not use fixed or mobile phones. Risk of explosion and toxication!

- Open doors and windows.
- Turn off all valves on gas appliances and gas meter at the main control valve, unless it's in a confined space or cellar.
- Check all tubes and connections for tightness. If you still smell gas leave the property.
- Warn the neighbours.
- Call the fire-brigade. Use a telephone outside the house.
- Do not re-enter the property until you are told it is safe to do so.

Product safety

- The appliance and its accessible parts become hot during use. Care should be taken to avoid touching heating elements. Children less than 8 years of age shall be kept away unless continuously supervised.
- Never use the product when your judgment or coordination is impaired by the use of alcohol and/or drugs.
- Be careful when using alcoholic drinks in your dishes. Alcohol evaporates at high temperatures and may cause fire since it can ignite when it comes into contact with hot surfaces.

- Do not place any flammable materials close to the product as the sides may become hot during use.
 - During use the appliance becomes hot. Care should be taken to avoid touching heating elements inside the oven.
 - Keep all ventilation slots clear of obstructions.
 - Do not heat closed tins and glass jars in the oven. The pressure that would build-up in the tin/jar may cause it to burst.
 - Do not place baking trays, dishes or aluminium foil directly onto the bottom of the oven. The heat accumulation might damage the bottom of the oven.
 - Do not use harsh abrasive cleaners or sharp metal scrapers to clean the oven door glass since they can scratch the surface, which may result in shattering of the glass.
 - Do not use steam cleaners to clean the appliance as this may cause an electric shock.
 - Do not use the product if the front door glass removed or cracked.
 - Oven handle is not towel dryer. Do not hang up towel, gloves, or similar textile products when the grill function is at open door.
 - Always use heat resistant oven gloves when putting in or removing dishes into/from the hot oven.
 - Ensure that the appliance is switched off before replacing the lamp to avoid the possibility of electric shock.
 - Do not close the top cover before the hotplates or burners cool down.
Wipe the top cover dry before opening it in order to avoid water leakage to the rear and inner sections of the oven.
 - Unattended cooking on a hob with fat or oil can be dangerous and may result in fire. NEVER try to extinguish a fire with water, but switch off the appliance and then cover flame e.g. with a lid or a fire blanket.
 - Danger of fire: Do not store items on the cooking surfaces.
- For the reliability of the fire of the product;
- Make sure the plug is fitting to socket as well for not cause to spark.
 - Do not use damaged or cutted or extension cable except the original cable.
 - Make sure that not whether liquid or moisture on the socket is plugged to product .
 - Make sure your gas connection is installed as well for not cause the gas leakage.

Intended use

- This product is designed for domestic use. Commercial use will void the guarantee.
- This appliance is for cooking purposes only. It must not be used for other purposes, for example room heating.
- This product should not be used for warming the plates under the grill, drying towels, dish cloths etc. by hanging them on the oven door handles. This product should also not be used for room heating purposes.
- The manufacturer shall not be liable for any damage caused by improper use or handling errors.
- The oven can be used for defrosting, baking, roasting and grilling food.

Safety for children

- Accessible parts may become hot during use. Young children should be kept away.
- The packaging materials will be dangerous for children. Keep the packaging materials away from children. Please dispose of all parts of the packaging according to environmental standards.
- Electrical and/or gas products are dangerous to children. Keep children away from the product when it is operating and do not

allow them to play with the product.

- An additional protective means to avoid contact with the oven door is available. This part should be fitted when young children are likely to be present.
- Do not place any items above the appliance that children may reach for.
- When the door is open, do **not** load any heavy object on it and do **not** allow children to sit on it. It may overturn or door hinges may get damaged.

Disposing of the old product



Dispose of the old product in an environmentally friendly manner. This equipment bears the selective sorting symbol for waste electrical and electronic equipment (WEEE). This means that this equipment must be handled pursuant to European Directive 2002/96/EC in order to be recycled or dismantled to minimize its impact on the environment. For further information, please contact local or regional authorities. Refer to your local dealer or solid waste collection centre in your area to learn how to dispose of your product. Before disposing of the product, cut off the power cable plug and make the door lock (if any) unusable to

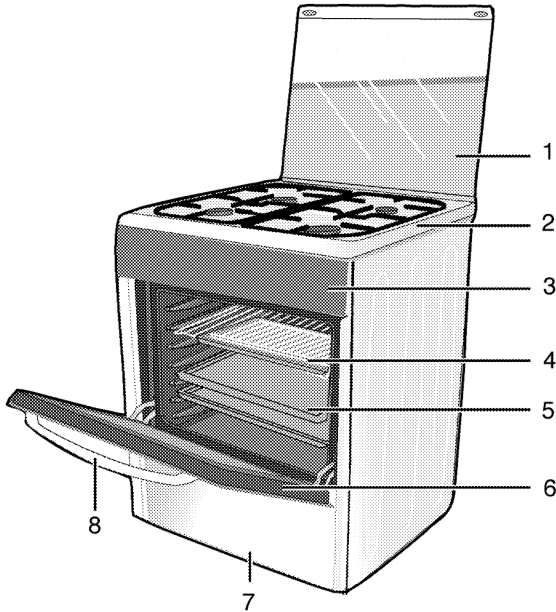
avoid dangerous conditions to children.

Package information

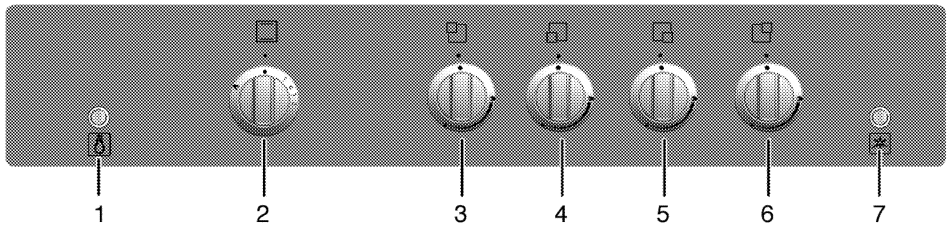
- Packaging materials of the product are manufactured from recyclable materials in accordance with our National Environment Regulations. Do not dispose of the packaging materials together with the domestic or other wastes. Take them to the packaging material collection points designated by the local authorities.

2 General information

Overview



- | | | | |
|---|---------------|---|------------|
| 1 | Top lid | 5 | Tray |
| 2 | Burner plate | 6 | Front door |
| 3 | Control panel | 7 | Lower part |
| 4 | Wire shelf | 8 | Handle |



- | | |
|---|------------------------------|
| 1 | Lamp button |
| 2 | Oven knob |
| 3 | Normal burner Rear left |
| 4 | Rapid burner Front left |
| 5 | Auxiliary burner Front right |
| 6 | Normal burner Rear right |
| 7 | Ignition button |

Package contents

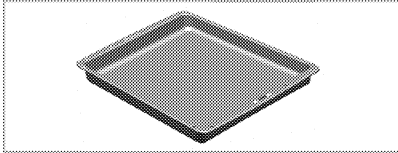


Accessories supplied can vary depending on the product model. Not every accessory described in the user manual may exist on your product.

1. **User manual**

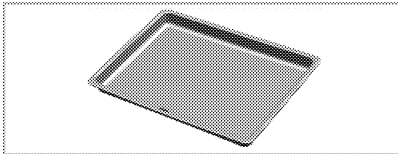
2. **Oven tray**

Used for pastries, frozen foods and big roasts.



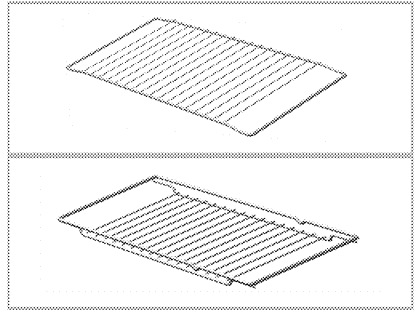
3. **Cake tray**

Used for pastries such as cookies and biscuits.



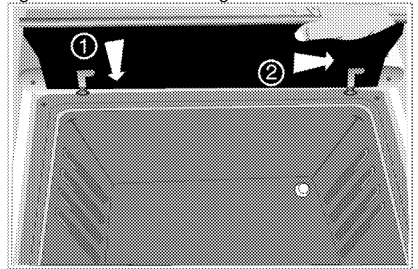
4. **Wire Shelf**

Used for roasting and for placing the food to be baked, roasted or cooked in casserole dishes to the desired rack.



5. **Knob protection sheet**

Used for grilling with the oven door open. Protects the control panel and buttons against heat and soiling.



6. **Coffee pot adaptor**



Used for coffee pots.

Technical specifications

GENERAL	
External dimensions (height / width / depth)	850 mm/600 mm/600 mm
Voltage / frequency	220- 240 V ~ 50 Hz
Cable type / section	H05VV-FG 3 x 0,75 mm ²
Cable length	max. 2 m
Category of gas product	BE II 2E+3+ / NL II 2L3B/P
Gas type / pressure	NG G 20/20 mbar
Total gas consumption	10.4kW
Converting the gas type / pressure ^S	NG G 25/25 mbar
– optional	LPG G 30/28-30 mbar – Propane 31/37 mbar
HOB	
Burners	
Rear left	Normal burner
Power	2000 W
Front left	Rapid burner
Power	2900 W
Front right	Auxiliary burner
Power	1000 W
Rear right	Normal burner
Power	2000 W
OVEN/GRILL	
Main oven	Gas oven
Inner lamp	15–25 W
Grill power consumption	2.5 kW
Gas consumption of oven	2.5 kW



Technical specifications may be changed without prior notice to improve the quality of the product.



Figures in this manual are schematic and may not exactly match your product.



Values stated on the product labels or in the documentation accompanying it are obtained in laboratory conditions in accordance with relevant standards. Depending on operational and environmental conditions of the product, these values may vary.

Injector table

Position hob zone	2000 W Rear left	2900 W Front left	1000 W Front right	2000 W Rear right
Gas type / Gas pressure				
G 20/20 mbar	103	115	72	103
G 30/28-30 mbar	72	87	50	72
G 25/25 mbar	103	115	72	103
G 31/ 37 mbar	72	87	50	72
Gas type / Gas pressure	Gas oven		Grill	
G 20/20 mbar	115		115	
G 30/28-30 mbar	73		73	
G 25/25 mbar	115		115	
G 31/ 37 mbar	73		73	

3 Installation

Product must be installed by a qualified person in accordance with the regulations in force. The manufacturer shall not be held responsible for damages arising from procedures carried out by unauthorized persons which may also void the warranty.



Preparation of location and electrical and gas installation for the product is under customer's responsibility.



DANGER:

The product must be installed in accordance with all local gas and/or electrical regulations.



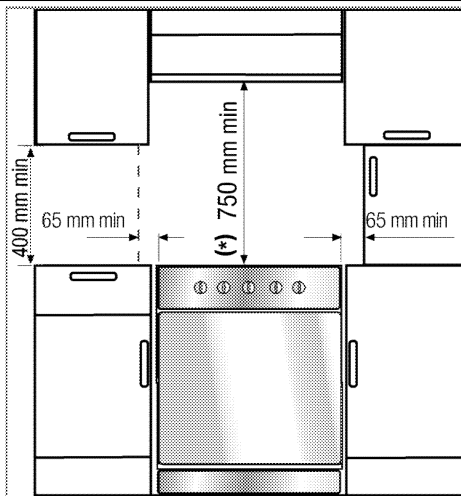
DANGER:

Prior to installation, visually check if the product has any defects on it. If so, do not have it installed. Damaged products cause risks for your safety.

Before installation

To ensure that critical air gaps are maintained under the appliance, we recommend that this appliance is mounted on a solid base and that the feet do not sink into any carpet or soft flooring.

The kitchen floor must be able to carry the weight of the appliance plus the additional weight of cookware and bakeware and food.



- It can be used with cabinets on either side but in order to have a minimum distance of 400mm above hotplate level allow a side clearance of 65mm between the appliance and any wall, partition or tall cupboard.
- It can also be used in a free standing position. Allow a minimum distance of 750 mm above the hob surface.
- (*) If a cooker hood is to be installed above the cooker, refer to cooker hood manufacturer' instructions regarding installation height (min 650 mm).
- The appliance corresponds to device class 1, i.e. it may be placed with the rear and **one** side to kitchen walls, kitchen furniture or equipment of any size. The kitchen furniture or equipment on the **other** side may only be of the same size or smaller.
- Any kitchen furniture next to the appliance must be heat-resistant (100 °C min.).

Room ventilation

All rooms require an openable window, or equivalent, and some rooms will require a permanent vent as well.

The air for combustion is taken from the room air and the exhaust gases are emitted directly into the room.


Good room ventilation is essential for safe operation of your appliance. If there is no window

or door available for room ventilation, an extra ventilation must be installed.


The appliance may be located in a kitchen, kitchen/diner or a bed-sitting room, but not in a room containing a bath or shower. The appliance must not be installed in a bed-sitting room of less than 20m³.


Do not install this appliance in a room below ground level unless it is open to ground level on at least one side.

 **DANGER:** The product must be connected to the mains supply only by an authorised and qualified person. The product's warranty period starts only after correct installation. Manufacturer shall not be held responsible for damages arising from procedures carried out by unauthorised persons.

 **DANGER:** The power cable must not be clamped, bent or trapped or come into contact with hot parts of the product. A damaged power cable must be replaced by a qualified electrician. Otherwise, there is risk of electric shock, short circuit or fire!


The mains supply data must correspond to the data specified on the type label of the product. The rating plate is either seen when the door or the lower cover is opened or it is located at the rear wall of the unit depending on the unit type. Power cable of your product must comply with the values in "Technical specifications" table.

 Power cable plug must be within easy reach after installation (do not route it above the hob).

 **DANGER:** Before starting any work on the electrical installation, disconnect the product from the mains supply. There is the risk of electric shock!

Plug the power cable into the socket.


Gas connection

 **DANGER:** Product can be connected to gas supply system only by an authorised and qualified person. Risk of explosion or toxication due to unprofessional repairs! Manufacturer shall not be held responsible for damages arising from procedures carried out by unauthorised persons.


Room size	Ventilation opening
smaller than 5 m ³	min. 100 cm ²
5 m ³ to 10 m ³	min. 50 cm ²
greater than 10 m ³ ,den	not required
In the cellar or basement	min. 65 cm ²

Installation and connection

Product can only be installed and connected in accordance with the statutory installation rules.

 Do not install the product next to refrigerators or freezers. The heat emitted by the product will increase the energy consumption of cooling appliances.

- Carry the product with at least two persons.
- Product must be placed directly on the floor. It must not be placed onto a base or a pedestal.

 Do not use the door and/or handle to carry or move the product. The door, handle or hinges get damaged.

Electrical connection

Connect the product to a grounded outlet/line protected by a fuse of suitable capacity as stated in the "Technical specifications" table. Have the grounding installation made by a qualified electrician while using the product with or without a transformer. Our company shall not be liable for any damages that will arise due to using the product without a grounding installation in accordance with the local regulations.

**DANGER:**

Before starting any work on the gas installation, disconnect the gas supply. There is the risk of explosion!

- Gas adjustment conditions and values are stated on labels (or ion type label).
- Refer to the detailed gas connection and gas conversion information in the user manual supplied with your product.

**DANGER:**

The gas hose must not be clamped, bent or trapped or come into contact with hot parts of the product. There is the risk of explosion due to damaged gas hose.

- Push the product towards the kitchen wall.
- **Adjusting the feet of oven**
Vibrations during use may cause cooking vessels to move. This dangerous situation can be avoided if the product is level and balanced.
For your own safety please ensure the product is level by adjusting the four feet at the bottom by turning left or right and align level with the work top.

Final check

1. Open gas supply.
2. Check gas installations for secure fitting and tightness.

3. Ignite burners and check appearance of the flame.



Flame must be blue and have a regular shape. If the flame is yellowish, check if the burner cap is seated securely or clean the burner.

Future Transportation

- Keep the product's original carton and transport the product in it. Follow the instructions on the carton. If you do not have the original carton, pack the product in bubble wrap or thick cardboard and tape it securely.
- To prevent the wire grill and tray inside the oven from damaging the oven door, place a strip of cardboard onto the inside of the oven door that lines up with the position of the trays. Tape the oven door to the side walls.
- Secure the caps and pan supports with adhesive tape.
- Do not use the door or handle to lift or move the product.



Do not place any objects onto the product and move it in upright position.



Check the general appearance of your product for any damages that might have occurred during transportation.

4 Preparation

Tips for saving energy

The following information will help you to use your appliance in an ecological way, and to save energy:

- Use dark coloured or enamel coated cookware in the oven since the heat transmission will be better.
- While cooking your dishes, perform a preheating operation if it is advised in the user manual or cooking instructions.
- Do not open the door of the oven frequently during cooking.
- Try to cook more than one dish in the oven at the same time whenever possible. You can cook by placing two cooking vessels onto the wire shelf.
- Cook more than one dish one after another. The oven will already be hot.
- Defrost frozen dishes before cooking them.
- Use pots/pans with cover for cooking. If there is no cover, energy consumption may increase 4 times.
- Select the burner which is suitable for the bottom size of the pot to be used. Always select the correct pot size for your dishes. Larger pots require more energy.

Initial use

First cleaning of the appliance



The surface might get damaged by some detergents or cleaning materials.

Do not use aggressive detergents, cleaning powders/creams or any sharp objects during cleaning.

Do not use harsh abrasive cleaners or sharp metal scrapers to clean the oven door glass since they can scratch the surface, which may result in shattering of the glass.

1. Remove all packaging materials.

2. Wipe the surfaces of the appliance with a damp cloth or sponge and dry with a cloth.

Initial heating

Heat up the product for about 30 minutes and then switch it off. Thus, any production residues or layers will be burnt off and removed.



WARNING

Hot surfaces cause burns!

Product may be hot when it is in use. Never touch the hot burners, inner sections of the oven, heaters and etc. Keep children away. Always use heat resistant oven gloves when putting in or removing dishes into/from the hot oven.

Gas oven

1. Take all baking trays and the wire grill out of the oven.
2. Close the oven door.
3. Select the highest flame of the gas oven; see *How to use the gas oven, page 18*.
4. Operate the oven about 30 minutes.
5. Turn off your oven; See *How to use the gas oven, page 18*

Grill oven

1. Take all baking trays and the wire grill out of the oven.
2. Close the oven door.
3. Select the highest flame of the grill oven; see *How to operate the gas grill, page 20*.
4. Operate the oven about 30 minutes.
5. Turn off your grill; see *How to operate the gas grill, page 20*



Smoke and smell may emit for a couple of hours during the initial operation. This is quite normal. Ensure that the room is well ventilated to remove the smoke and smell. Avoid directly inhaling the smoke and the smell that emits.

5 How to use the hob

General information about cooking



Never fill the pan with oil more than one third of it. Do not leave the hob unattended when heating oil. Overheated oils bring risk of fire. **Never attempt to extinguish a possible fire with water!** When oil catches fire, cover it with a fire blanket or damp cloth. Turn off the hob if it is safe to do so and call the fire department.

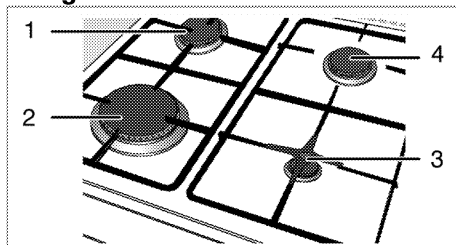
- Before frying foods, always dry them well and gently place into the hot oil. Ensure complete thawing of frozen foods before frying.
- Do not cover the vessel you use when heating oil.
- Place the pans and saucepans in a manner so that their handles are not over the hob to prevent heating of the handles. Do not place unbalanced and easily tilting vessels on the hob.
- Do not place empty vessels and saucepans on cooking zones that are switched on. They might get damaged.
- Operating a cooking zone without a vessel or saucepan on it will cause damage to the product. Turn off the cooking zones after the cooking is complete.
- As the surface of the product can be hot, do not put plastic and aluminum vessels on it. Such vessels should not be used to keep foods either.
- Use flat bottomed saucepans or vessels only.
- Put appropriate amount of food in saucepans and pans. Thus, you will not have to make any unnecessary cleaning by preventing the dishes from overflowing. Do not put covers of saucepans or pans on cooking zones.
Place the saucepans in a manner so that they are centered on the cooking zone.
When you want to move the saucepan onto another cooking zone, lift and place it onto

the cooking zone you want instead of sliding it.

Gas cooking

- Size of the vessel and the flame must match each other. Adjust the gas flames so that they will not extend the bottom of the vessel and center the vessel on saucepan carrier.

Using the hobs



- 1 Normal burner 18-20 cm
- 2 Rapid burner 22-24 cm
- 3 Auxiliary burner 12-18 cm
- 4 Normal burner 18-20 cm is list of advised diameter of pots to be used on related burners.

Large flame symbol indicates the highest cooking power and small flame symbol indicates the lowest cooking symbol. In turned off position (top), gas is not supplied to the burners.

Igniting the gas burners



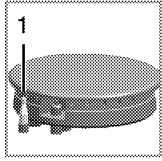
Gas burners are ignited with ignition buttons.

1. Keep burner knob pressed.
2. Turn it counter clockwise to large flame symbol.
3. Press and release the ignition button. Repeat the procedure until the released gas is ignited.
4. Adjust it to the desired cooking power.

Turning off the gas burners

Turn the keep warm zone knob to off (upper) position.

Gas shut off safety system (in models with thermic component)



1. Gas shut off safety

As a counter measure against blow out due to fluid overflows at burners, safety mechanism trips and shuts off the gas.

- Push the knob inwards and turn it counter clockwise to ignite.
- After the gas ignites, keep the knob pressed for 3-5 seconds more to engage the safety system.
- If the gas does not ignite after you press and release the knob, repeat the same procedure by keeping the knob pressed for 15 seconds.



DANGER:

Release the button if the burner is not ignited within 15 seconds.

Wait at least 1 minute before trying again. There is the risk of gas accumulation and explosion!

6 How to operate the oven

General information on baking, roasting and grilling



WARNING

Hot surfaces cause burns!

Product may be hot when it is in use. Never touch the hot burners, inner sections of the oven, heaters and etc. Keep children away. Always use heat resistant oven gloves when putting in or removing dishes into/from the hot oven.



DANGER:

Be careful when opening the oven door as steam may escape.

Exiting steam can scald your hands, face and/or eyes.

Tips for baking

- Use non-sticky coated appropriate metal plates or aluminum vessels or heat-resistant silicone moulds.
- Make best use of the space on the rack.
- Place the baking mould in the middle of the shelf.
- Select the correct rack position before turning the oven or grill on. Do not change the rack position when the oven is hot.
- Keep the oven door closed.

Tips for roasting

- Treating whole chicken, turkey and large piece of meat with dressings such as lemon juice and black pepper before cooking will increase the cooking performance.
- It takes about 15 to 30 minutes longer to roast meat with bones when compared to roasting the same size of meat without bones.
- Each centimeter of meat thickness requires approximately 4 to 5 minutes of cooking time.
- Let meat rest in the oven for about 10 minutes after the cooking time is over. The juice is better distributed all over the

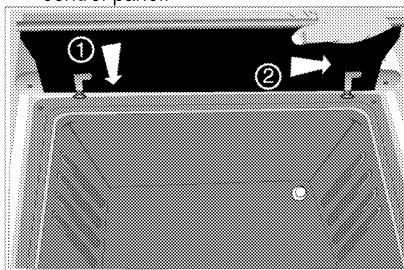
roast and does not run out when the meat is cut.

- Fish should be placed on the middle or lower rack in a heat-resistant plate.

Install knob protection sheet.

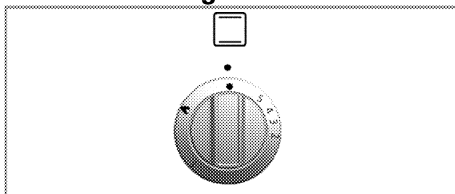
Knob protection sheet is used for grilling with the oven door open. Protects the control panel and buttons against heat and soiling.

1. Open the oven door and place the knob protection sheet onto the pins under the control panel.



» When knob protection sheet is installed, oven door remains open.

How to use the gas oven



The gas oven is operated by the gas oven control knob. In off position (top) the gas supply is Off.

Switch on the gas oven

The gas oven is ignited with the ignition button.

1. Open oven door.
2. Keep gas oven control knob pressed and turn it **counterclockwise**.
3. Press ignition button and release it again.
4. Keep the gas oven control knob pressed for 3 to 5 seconds.

» Repeat the process until the emanating gas is ignited.

5. Keep the gas oven control knob pressed for another 3 to 5 seconds. Be sure that gas has ignited and flame is present.

6. Select the desired baking power/ gas mark.
7. If there is no electricity; ignite the gas with the gas lighter from the ignition control hole.

! DANGER:
 There is the risk of gas compression and explosion!
 Do not attempt to ignite the gas more than 15 seconds. If the burner is not ignited within 15 seconds, turn off the knob and wait for 1 minute. Ventilate the room before reattempting to ignite the burner. There is the risk of gas compression and explosion!

Switch off the gas oven

1. Turn gas oven control knob to off position (top).

Gas level temperature chart

Gas level	1	2	3	4	5
Temperature in °C	170	180	200	230	280

Cooking times table

i 1st rack of the oven is the **bottom** rack.

i The timings in this chart are meant as a guide. Timings may vary due to temperature of food, thickness, type and your own preference of cooking.

i Maximum load capacity of oven tray: 4 kg (8.8 lb).

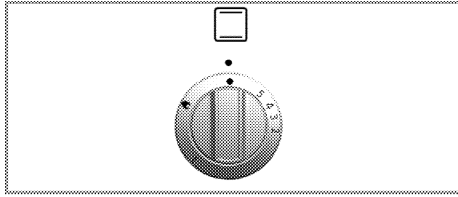
Stand dishes on a baking sheet to prevent spillages onto oven base and help keep oven clean.

Baking and roasting

Food	Preheating *	Insertion level	Control knob position	Cooking time
Apple pie	10 min.	3	1	60..70 min.
Fruit tart	10 min.	3	1	60..70 min.
Pie	10 min.	3	1	60..70 min.
Cookies	10 min.	4	1..2	30..40 min.
Pastry	10 min.	3..4	1..2	40..50 min.
Cake	10 min.	3	1..2	60..70 min.
Biscuits	10 min.	4	1..2	30..40 min.
Roast lamb	10 min.	4..5	3	35..45 min. per 450 g + 30 min.
Roast Beef	10 min.	3..4	3	100..130 min. per 450 g + 30 min.
Turkey	10 min.	3	3	100..130 min. per 450 g + 30 min.
Poultry	10 min.	3	1..2	100..130 min. per 450 g + 25 min.
Casseroles	10 min.	4	1..2	90..120 min. ^s
Fish	10 min.	3	1..2	45..55 min.
Macaroni	10 min.	4	1..2	50..55 min.
Small cakes	10 min.	3..4	1	40..50 min.
Victoria sandwich	10 min.	3	1	30..35 min.

* at control knob position 5 / ^s depending on quantity / [#] depending on size

How to operate the gas grill



Grill is operated with Grill control knob. In turned off position (top), gas is not supplied. Oven door must remain open while grilling.



WARNING

Hot surfaces may cause burns! Keep children away from the product. Oven door remains slightly inclined when opened full and thus, possible splashes to not reach you.

Switching on the grill

Gas grill is ignited with the ignition button.

1. Open the oven door.
2. Press and release the ignition button.
- » Repeat the procedure until the gas is ignited.
3. Keep the knob pressed for 3 to 5 seconds more.
4. Make sure that the grill is ignited.
5. If the electricity is cut-off, ignite the grill burner with a lighter or match.



DANGER:

There is the risk of gas compression and explosion!
Do not attempt to ignite the gas more than 15 seconds. If the burner is not ignited within 15 seconds, turn off the knob and wait for 1 minute. Ventilate the room before reattempting to ignite the burner. There is the risk of gas compression and explosion!

Switching off the grill

1. Turn the Grill control knob to Off (upper) position.



Foods that are not suitable for grilling carry the risk of fire. Only grill food which is suitable for intensive grilling heat.
Do not place the food too far in the back of the grill. This is the hottest area and fatty food may catch fire.

Cooking times table



The timings in this chart are meant as a guide. Timings may vary due to temperature of food, thickness, type and your own preference of cooking.



1st rack of the oven is the **bottom** rack.

Grilling with gas grill

Food	Preparation/setting	Grilling time #
Toasting of bread products	3..10 min.
Small cuts of meat, sausages, bacon, etc.	15..20 min.
Chops, gammon steaks, chicken pieces, etc.	Chicken with wire rack in upturned position.	20..25 min.
Whole fish, fish fillets, fish fingers	Whole fish and fish fillets placed in the base of the grill pan.	10..20 min.
Fish in breadcrumbs	15..20 min.
Pre-cooked potato products	15..20 min.
Pizza	Placed in the base of the grill pan.	12..15 min.
Grilling/browning of food	Dish placed directly on the base of the grill compartment.	8..10 min.

depending on size resp. thickness

7 Maintenance and care

General information

Service life of the product will extend and the possibility of problems will decrease if the product is cleaned at regular intervals.



DANGER:

Disconnect the product from mains supply before starting maintenance and cleaning works.

There is the risk of electric shock!



DANGER:

Allow the product to cool down before you clean it.

Hot surfaces may cause burns!

- Clean the product thoroughly after each use. In this way it will be possible to remove cooking residues more easily, thus avoiding these from burning the next time the appliance is used.
- No special cleaning agents are required for cleaning the product. Use warm water with washing liquid, a soft cloth or sponge to clean the product and wipe it with a dry cloth.
- Always ensure any excess liquid is thoroughly wiped off after cleaning and any spillage is immediately wiped dry.
- Do not use cleaning agents that contain acid or chloride to clean the stainless or inox surfaces and the handle. Use a soft cloth with a liquid detergent (not abrasive) to wipe those parts clean, paying attention to sweep in one direction.



The surface might get damaged by some detergents or cleaning materials.

Do not use aggressive detergents, cleaning powders/creams or any sharp objects during cleaning.

Do not use harsh abrasive cleaners or sharp metal scrapers to clean the oven door glass since they can scratch the surface, which may result in shattering of the glass.



Do not use steam cleaners to clean the appliance as this may cause an electric shock.

Cleaning the hob

Gas hobs

1. Remove and clean the saucepan carriers and burner caps.
2. Clean the hob.
3. Install the burner caps and make sure that they are seated correctly.
4. When installing the upper grills, pay attention to place the saucepan carriers so that the burners are centered.

Cleaning the control panel

Clean the control panel and knobs with a damp cloth and wipe them dry.



Do not remove the control buttons/knobs to clean the control panel.

Control panel may get damaged!

Cleaning the oven

Clean oven door

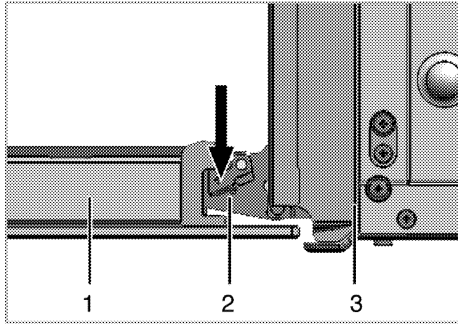
To clean the oven door, use warm water with washing liquid, a soft cloth or sponge to clean the product and wipe it with a dry cloth.



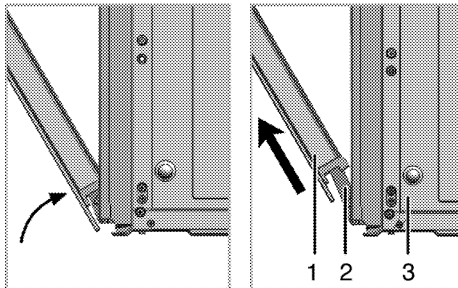
Don't use any harsh abrasive cleaners or sharp metal scrapers for cleaning the oven door. They could scratch the surface and destroy the glass.

Removing the oven door

1. Open the front door (1).
2. Open the clips at the hinge housing (2) on the right and left hand sides of the front door by pressing them down as illustrated in the figure.



- 1 Front door
- 2 Hinge
- 3 Oven



3. Move the front door to half-way.
4. Remove the front door by pulling it upwards to release it from the right and left hinges.

i Steps carried out during removing process should be performed in reverse order to install the door. Do not forget to close the clips at the hinge housing when reinstalling the door.

Replacing the oven lamp



DANGER:

Before replacing the oven lamp, make sure that the product is disconnected from mains and cooled down in order to avoid the risk of an electrical shock. Hot surfaces may cause burns!



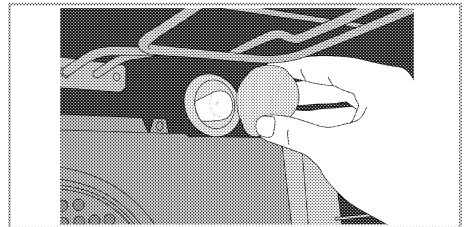
The oven lamp is a special electric light bulb that can resist up to 300 °C. See *Technical specifications, page 11* for details. Oven lamps can be obtained from Authorised Service Agents.



Position of lamp might vary from the figure.

If your oven is equipped with a round lamp:

1. Disconnect the product from mains.
2. Turn the glass cover counter clockwise to remove it.



3. Remove the oven lamp by turning it counter clockwise and replace it with the new one.
4. Install the glass cover.

8 Troubleshooting

Oven emits steam when it is in use.

- It is normal that steam escapes during operation. >>> *This is not a fault.*

Product emits metal noises while heating and cooling.

- When the metal parts are heated, they may expand and cause noise. >>> *This is not a fault.*

There is no ignition spark.

- No current. >>> *Check fuses in the fuse box.*

There is no gas.

- Main gas valve is closed. >>> *Open gas valve.*
- Gas pipe is bent. >>> *Install gas pipe properly.*

Burners are not burning properly or at all.

- Burners are dirty. >>> *Clean burner components.*
- Burners are wet. >>> *Dry the burner components.*
- Burner cap is not mounted safely. >>> *Mount the burner cap properly.*
- Gas valve is closed. >>> *Open gas valve.*
- Gas cylinder is empty (when using LPG). >>> *Replace gas cylinder.*



Consult the Authorised Service Agent or the dealer where you have purchased the product if you can not remedy the trouble although you have implemented the instructions in this section. Never attempt to repair a defective product yourself.

Avant de commencer, bien vouloir lire ce manuel d'utilisation !

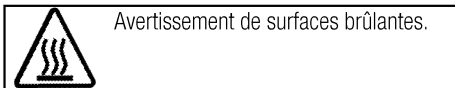
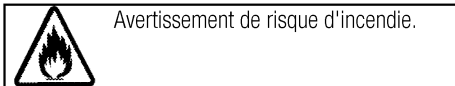
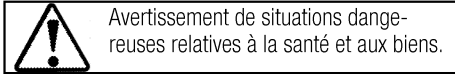
Chère cliente, cher client,

Nous vous remercions d'avoir porté votre choix sur un produit Beko. Nous espérons que vous tirerez le meilleur parti de votre produit, qui a été fabriqué avec une technologie de pointe et de qualité supérieure. C'est pourquoi nous vous prions de lire attentivement le présent manuel et tous les autres documents connexes dans leur intégralité avant d'utiliser le produit et de les conserver ensuite car vous pourriez avoir besoin de vous en servir ultérieurement. Si vous cédez l'appareil à une tierce personne, n'oubliez pas de lui fournir le Manuel d'utilisation également. Respectez tous les avertissements et informations contenus dans le manuel d'utilisation.

Souvenez-vous que ce Manuel d'utilisation s'applique également à plusieurs autres modèles. Les différences entre les modèles seront identifiées dans le manuel.

Explication des symboles

Vous trouverez les symboles suivants dans ce Manuel d'utilisation :



Arçelik A.Ş.
Karaağaç caddesi No:2-6
34445 Söğütözü/İstanbul/TURKEY
Made in TURKEY

1 Instructions importantes et mises en garde relatives à la sécurité et à l'environnement 4

Sécurité générale 4
 Sécurité lors de travaux concernant le gaz 4
 Sécurité du produit..... 6
 Utilisation prévue..... 7
 Sécurité des enfants..... 7
 Mise au rebut de l'ancien appareil..... 8
 Elimination des emballages..... 8

2 Généralités 9

Vue d'ensemble 9
 Contenu de l'emballage 10
 Caractéristiques techniques 11
 Tableau des injecteurs..... 12

3 Installation 13

Avant l'installation 13
 Installation et branchement..... 14
 Déplacement ultérieur 15

4 Préparations 16

Conseils pour faire des économies d'énergie . 16
 Première utilisation..... 16
 Premier nettoyage de l'appareil..... 16

Première cuisson 16

5 Utilisation de la table de cuisson 17

Généralités concernant la cuisson 17
 Utilisation des tables de cuisson..... 17

6 Utilisation du four 19

Informations générales concernant la pâtisserie, la rôtisserie et les grillades..... 19
 Utilisation du four à gaz 19
 Tableau des temps de cuisson 20
 Utilisation du grill à gaz..... 21
 Tableau des temps de cuisson 21

7 Maintenance et entretien 22

Généralités 22
 Nettoyage de la table de cuisson 22
 Nettoyage du bandeau de commande..... 22
 Nettoyage du four..... 22
 Retirer la porte du four..... 22
 Remplacement de l'ampoule du four 23

8 Recherche et résolution des pannes 24

1 Instructions importantes et mises en garde relatives à la sécurité et à l'environnement

Ce chapitre contient les instructions de sécurité qui vous aideront à éviter les risques de blessure corporelle ou de dégâts matériels. Le non respect de ces instructions entraînera l'annulation de toute garantie.

Sécurité générale

- Cet appareil peut être utilisé par des enfants de 8 ans et plus et des personnes aux capacités physiques, sensorielles ou mentales réduites ou des personnes dénuées d'expérience ou de connaissance si elles ont pu bénéficier d'une surveillance ou d'instructions concernant l'utilisation de l'appareil en toute sécurité et comprennent les risques encourus.

Les enfants ne doivent pas jouer avec l'appareil. Le nettoyage et l'entretien ne doivent pas être effectués par un enfant sans surveillance.

- Ne jamais poser l'appareil sur un sol recouvert de moquette. Dans le cas contraire, l'absence de circulation d'air en-dessous de l'appareil entraînera la surchauffe des pièces électriques. Cette surchauffe causera des dommages à votre appareil.

- Les procédures d'installation et de réparation doivent en tout temps être effectuées par des agents d'entretien qualifiés. Le fabricant ne sera pas responsable des dommages causés à la suite d'une utilisation faite par des personnes non qualifiées, situation susceptible d'annuler aussi la garantie. Avant l'installation, lisez attentivement les instructions.
- Ne faites pas fonctionner l'appareil s'il est défectueux ou présente des dégâts visibles.
- Assurez-vous que les boutons de fonctionnement de l'appareil sont en position d'arrêt après chaque utilisation.

Sécurité lors de travaux concernant le gaz

- Toutes les opérations sur des équipements et des systèmes de gaz ne peuvent être réalisées que par des personnes habilitées et qualifiées.
- Avant l'installation, assurez-vous que les conditions de distribution locale (type et pression du gaz) sont compatibles aux réglages de l'appareil.
- Cet appareil n'est pas raccordé à un dispositif d'évacuation des produits de la combustion. Il doit

être installé et raccordé conformément aux réglementations d'installation en vigueur. Une attention particulière doit être portée aux exigences applicables concernant la ventilation; consultez *Avant l'installation, page 13*.

- L'utilisation d'un appareil de cuisson à gaz produit de la chaleur, de l'humidité et des produits de combustion dans la pièce où il est installé. Veillez à ce que la cuisine soit bien ventilée. Notamment quand l'appareil est en fonctionnement: Gardez les espaces de ventilation ouverts ou installez un appareil de ventilation mécanique (hotte aspirante). Une utilisation intensive prolongée de l'appareil peut nécessiter une ventilation supplémentaire. À titre d'exemple, vous pouvez renforcer le niveau de ventilation mécanique le cas échéant.
- Les appareils et les systèmes à gaz doivent être vérifiés régulièrement pour assurer leur fonctionnement correct. Le régulateur, le tuyau et son collier de serrage doivent être vérifiés régulièrement et remplacés à la fréquence recommandée par le fabricant ou lorsque nécessaire.
- Nettoyez régulièrement les brûleurs à gaz. Les flammes doivent

être bleues et brûler de manière uniforme.

- Une bonne combustion est nécessaire dans les appareils à gaz. En cas de combustion incomplète, du monoxyde de carbone (CO) pourrait être généré. Le monoxyde de carbone est incolore, inodore et très toxique, pouvant être mortel même à très petites doses.
- Demandez les informations concernant les numéros de téléphone d'urgence et les mesures de sécurité à prendre en cas d'odeur de gaz auprès de votre fournisseur en gaz.

Que faire si vous sentez une odeur de gaz

- N'utilisez pas de flamme nue et ne fumez pas. N'appuyez sur aucun bouton électrique (ex., bouton de l'ampoule, sonnette d'entrée, etc.) N'utilisez pas de téléphone fixe ou de téléphone portable. Risque d'explosion et d'intoxication !
- Ouvrez les portes et fenêtres.
- Fermez toutes les valves sur les appareils à gaz et les compteurs de gaz.
- Vérifiez le branchement de tous les tuyaux et raccords. Si vous sentez toujours une odeur de gaz, quittez l'appartement.
- Avertissez les voisins.

- Contactez les pompiers. Utilisez un téléphone en-dehors de votre domicile.
- Ne rentrez pas dans votre domicile tant qu'on ne vous a pas indiqué que cela pouvait se faire en toute sécurité.

Sécurité du produit

- Les parties accessibles de l'appareil deviennent chaudes au cours de son utilisation. Des mesures doivent être prises pour éviter de toucher aux éléments de chauffage. Les enfants de moins de 8 ans doivent être maintenus à l'écart, sauf s'ils sont continuellement surveillés.
- Ne jamais utiliser l'appareil lorsque le jugement ou la coordination est affectée par l'alcool et/ou la drogue.
- Prenez garde lorsque vous utilisez des boissons alcoolisées dans vos plats. L'alcool s'évapore à températures élevées et peut provoquer un incendie étant donné qu'il peut s'enflammer lorsqu'il entre en contact avec des surfaces chaudes.
- Assurez-vous qu'aucune substance inflammable ne soit placée à proximité de l'appareil étant donné que les côtés peuvent chauffer pendant son utilisation.
- L'appareil chauffe pendant son utilisation. Des mesures doivent être prises pour éviter de toucher aux éléments de chauffage qui se trouvent à l'intérieur du four.
- épargnez les ouvertures de ventilation d'éventuelles obstructions.
- Ne pas faire chauffer de boîtes de conserves et de bocaux en verre clos dans le four. La pression qui s'accumulerait dans la boîte/le bocal pourrait le faire éclater.
- Ne placez pas de plaques de cuisson, de plats ou de feuille d'aluminium directement sur le bas du four. L'accumulation de chaleur pourrait endommager le fond du four.
- N'utilisez pas de nettoyeurs fortement abrasifs ou de grattoir en métal affûté pour nettoyer la porte vitrée du four car ils peuvent rayer la surface, ce qui peut entraîner fêler la vitre.
- N'utilisez pas de nettoyeurs à vapeur pour le nettoyage de l'appareil, car ceux-ci présentent un risque d'électrocution.
- Ne pas utiliser l'appareil si la porte en verre est absente ou fendue.
- La poignée du four n'est pas un sèche-serviettes. Ne pendez pas de serviettes, gants ou produits textiles similaires lorsque la porte est ouverte avec la fonction gril.
- Utilisez toujours des gants de protection thermique lorsque vous

placez dans ou retirez des plats du four chaud.

- Assurez-vous d'avoir éteint l'appareil avant de procéder au remplacement de l'ampoule. Cette précaution vous évite tout risque de choc électrique.
- Ne refermez pas la plaque de recouvrement supérieure avant que les plaques chauffantes ou les brûleurs n'aient refroidi. Essuyez la plaque de recouvrement supérieure avant de l'ouvrir afin d'éviter tout écoulement d'eau vers l'arrière ou l'intérieur du four.
- Le fait de cuire les aliments contenant de l'huile ou des matières grasses sur une table de cuisson sans surveillance peut s'avérer dangereux, au point de provoquer un incendie. N'essayez JAMAIS d'éteindre le feu avec de l'eau. Coupez plutôt l'alimentation de l'appareil, puis couvrez la flamme avec un couvercle ou une couverture pare-flammes.
- Danger d'incendie : ne rien conserver sur les surfaces de cuisson.

Pour que le feu produit par votre appareil soit fiable,

- veillez à ce que la fiche soit bien branchée dans la prise afin que des étincelles ne se produisent pas.

- Utilisez uniquement les câbles de rallonge d'origine, et veillez à ce qu'ils ne soient pas coupés ou autrement endommagés.
- Assurez-vous également que la prise ne contient pas de liquide ni de moisissure avant de brancher l'appareil.
- Veillez enfin à ce que votre connexion au gaz soit installée afin d'éviter toute fuite de gaz.

Utilisation prévue

- Cet appareil est conçu pour un usage domestique. L'utilisation commerciale est interdite.
- Cette appareil doit être utilisé seulement à des fins de cuisson. Il ne doit pas être utilisé à d'autres fins, par exemple le chauffage de la pièce.'
- Évitez d'utiliser cet appareil pour réchauffer les assiettes sous le grill, accrocher des serviettes et des torchons, etc. sur les poignées, sécher et réchauffer quoi que ce soit.
- Le fabricant ne saurait être tenu responsable des dégâts causés par une utilisation ou une manipulation incorrecte.
- Le four peut être utilisé pour décongeler, cuire, rôtir et griller des aliments.

Sécurité des enfants

- Les parties accessibles peuvent s'échauffer pendant l'utilisation.

Les enfants doivent être tenus à l'écart.

- Les matériaux d'emballage peuvent présenter un danger pour les enfants. Gardez les matériaux d'emballage hors de portée des enfants. Veuillez jeter les pièces de l'emballage en respectant les normes écologiques.
- Les appareils électriques et/ou à gaz sont dangereux pour les enfants. Tenez les enfants à l'écart de l'appareil lorsqu'il fonctionne et interdisez-leur de jouer avec.
- Un moyen de protection supplémentaire permettant d'éviter tout contact avec le four est disponible. Cette pièce doit être fixée en cas de présence probable d'enfants en bas âge.
- Ne rangez pas d'objets au dessus de l'appareil que les enfants pourraient atteindre.
- Lorsque la porte avant est ouverte, **ne posez pas** d'objets lourds dessus et **ne permettez pas** aux enfants de s'y asseoir. Il pourrait basculer ou les charnières de porte être endommagées.

Mise au rebut de l'ancien appareil



Mettez l'ancien appareil au rebut de manière responsable envers l'environnement.

Ce produit porte le symbole de tri sélectif correspondant aux déchets des équipements électriques et électroniques (DEEE). Cela signifie que ce produit doit être manipulé conformément à la directive européenne 2002/96/CE afin d'être recyclé et démonté de manière à minimiser ses effets sur l'environnement. Pour de plus amples informations, veuillez contacter les autorités locales ou régionales.

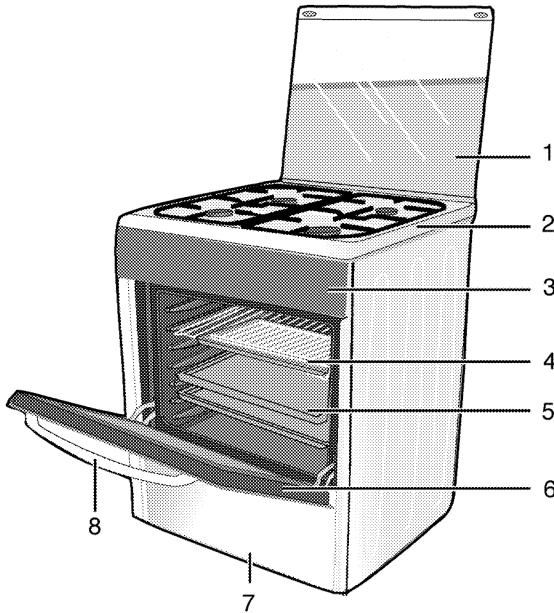
Consultez votre revendeur ou le centre de collecte des déchets de votre région pour vous renseigner sur la mise au rebut de votre appareil. Avant de mettre l'appareil au rebut, sectionnez le câble d'alimentation et verrouillez la porte (le cas échéant) de manière à le rendre inutilisable et inoffensif pour les enfants.

Elimination des emballages

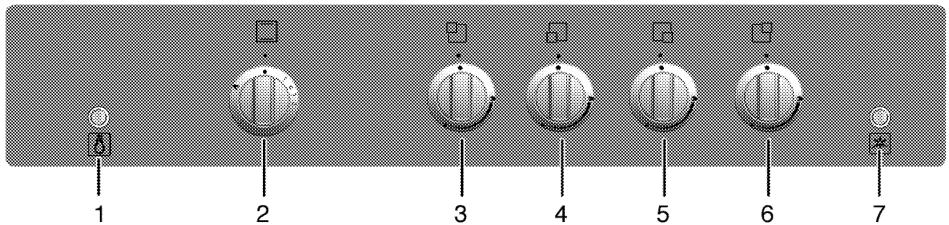
- Les emballages sont dangereux pour les enfants. Conservez les emballages en lieu sûr à l'écart des enfants. Les emballages de l'appareil sont fabriqués à partir de matériaux recyclés. Éliminez-les de manière appropriée et triez-les en fonction des instructions de recyclage des déchets. Ne les jetez pas avec les déchets domestiques normaux.

2 Généralités

Vue d'ensemble



- | | | | |
|---|---------------------|---|-------------------|
| 1 | Couvercle supérieur | 5 | Plaque |
| 2 | Plaque de brûleur | 6 | Porte frontale |
| 3 | Bandeau de commande | 7 | Partie inférieure |
| 4 | Grille | 8 | Poignée |



- | | |
|---|--------------------------------|
| 1 | Bouton de l'ampoule |
| 2 | Manette du four |
| 3 | Brûleur normal Arrière gauche |
| 4 | Brûleur rapide Avant gauche |
| 5 | Brûleur auxiliaire Avant droit |
| 6 | Brûleur normal Arrière droit |
| 7 | Bouton d'allumage |

Contenu de l'emballage

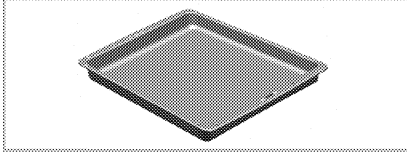


Les accessoires fournis peuvent varier selon le modèle de l'appareil. Tous les accessoires décrits dans le manuel d'utilisation peuvent ne pas faire partie de votre appareil.

1. **Manuel de l'utilisateur**

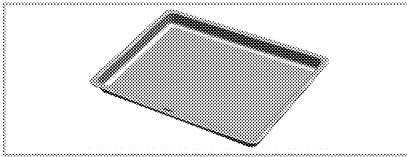
2. **Plaque a four**

Utilisée pour les pâtisseries, les aliments congelés et les grands rôtis.



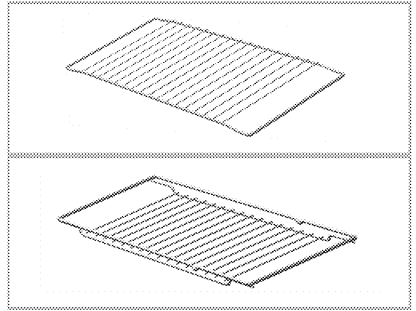
3. **Plaque à gâteau**

Utilisée pour les pâtisseries telles que les cookies et les biscuits.



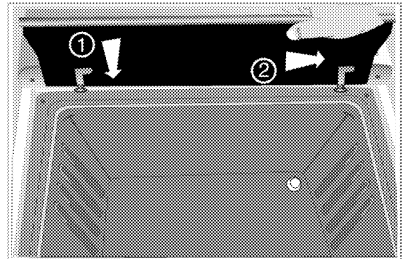
4. **Grille**

Utilisée pour les rôtis et pour les aliments à cuire, rôtir ou pour les ragoûts, elle se place dans le châssis à la hauteur souhaitée.



5. **Plaque de protection du bouton**

Utilisée pour griller avec la porte du four ouverte. Protège le bandeau de commande et les boutons de la chaleur et de la saleté.



6. **Adaptateur pour cafetière**



Utilisé pour les cafetières.

Caractéristiques techniques

GENERALITES	
Dimensions extérieures (hauteur/longueur/profondeur)	850 mm/600 mm/600 mm
Tension/fréquence	220- 240 V ~ 50 Hz
Type de câble/section	H05VV-FG 3 x 0,75 mm ²
Longueur de câble	max. 2 m
Catégorie de produit à gaz	BE II 2E+3+ / NL II 2L3B/P
Type /pression de gaz	NG G 20/20 mbar
Consommation totale de gaz	10.4kW
Type / pression de conversion au gaz ^S	NG G 25/25 mbar
— en option	LPG G 30/28-30 mbar - Propane 31/37 mbar
Table de cuisson	
Brûleurs	
Arrière gauche	Brûleur normal
Puissance	2000 W
Avant gauche	Brûleur rapide
Puissance	2900 W
Avant droit	Brûleur auxiliaire
Puissance	1000 W
Arrière droit	Brûleur normal
Puissance	2000 W
FOUR/GRILL	
Four principal	Four à gaz
Ampoule interne	15-25 W
Consommation électrique du grill	2.5 kW
Consommation de gaz du four	2.5 kW



Les caractéristiques techniques peuvent changer sans avis préalable afin d'améliorer la qualité de l'appareil.



Les illustrations comprises dans ce manuel sont schématiques et peuvent ne pas correspondre exactement à l'appareil.



Les valeurs mentionnées sur les étiquettes de l'appareil ou dans la documentation qui l'accompagnent sont obtenues dans des conditions de laboratoire conformément aux normes correspondantes. En fonction des conditions de fonctionnement et de l'environnement de l'appareil, ces valeurs peuvent varier.

Tableau des injecteurs

Position de la zone de la table de cuisson	2000 W Arrière gauche	2900 W Avant gauche	1000 W Avant droit	2000 W Arrière droit
Type /pression de gaz				
G 20/20 mbar	103	115	72	103
G 30/28-30 mbar	72	87	50	72
G 25/25 mbar	103	115	72	103
G 31/ 37 mbar	72	87	50	72
Type /pression de gaz	Four à gaz		GRILL	
G 20/20 mbar	115		115	
G 30/28-30 mbar	73		73	
G 25/25 mbar	115		115	
G 31/ 37 mbar	73		73	

3 Installation

Le produit doit être installé par une personne qualifiée conformément à la réglementation en vigueur. Dans le cas contraire, la garantie n'est pas valable. Le fabricant se sera pas tenu pour responsable des dégâts consécutifs à des procédures réalisées par des personnes non autorisées et pourra annuler la garantie dans ce cas.



La préparation de l'emplacement et l'installation du gaz et de l'électricité pour l'appareil sont sous la responsabilité du client.



DANGER:

Installez l'appareil conformément aux réglementations en matière de gaz et d'électricité en vigueur dans votre localité.



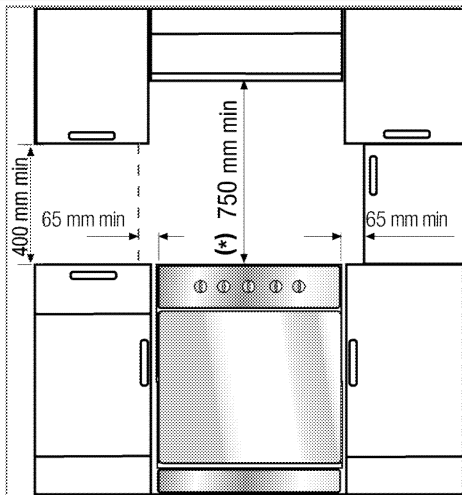
DANGER:

Avant l'installation, regardez si l'appareil présente des défauts. Si tel est le cas, ne le faites pas installer. Les appareils endommagés présentent des risques pour votre sécurité.

Avant l'installation

Pour veiller à ce qu'une distance libre soit conservée sous l'appareil, nous vous recommandons de monter l'appareil sur une base solide et de veiller à ce que ses pieds ne transpercent pas le tapis, la moquette, ou tout autre revêtement de sol.

Le sol de la cuisine doit pouvoir supporter le poids de l'appareil plus le poids des instruments de cuisine et de la nourriture.



- Vous pouvez l'utiliser avec des meubles de part et d'autre, mais en prévoyant une distance minimale de 400 mm au-dessus du niveau de la plaque chauffante ; prévoyez un écart de 65 mm entre l'appareil et le mur, la cloison ou le placard géant.
- Il peut aussi être utilisé en position debout, de manière autonome. Laissez une distance minimum de 750 mm au-dessus de la surface de la table de cuisson.
- S'il faut encastrier une hotte au-dessus de la cuisinière, reportez-vous aux consignes du fabricant de la hotte concernant la hauteur d'installation (Min 650 mm)..
- L'appareil correspond à un appareil de classe 1. En d'autres termes, il peut être placé avec le côté arrière et **un** côté contre les murs de la cuisine, des meubles ou des équipements de toute taille. Les meubles ou les équipements de cuisine situés sur **l'autre** côté doivent être de taille inférieure ou égale.
- Tout meuble de cuisine situé à côté de l'appareil doit résister à la chaleur (100 °C min.).

Ventilation de la pièce

Toutes les pièces nécessitent une fenêtre ouvrable, ou équivalent, et certaines pièces néces-

siteront également un orifice d'aération permanent.

L'air de combustion est prélevé dans l'air de la pièce. Les gaz émis sont directement rejetés dans la pièce.

Une bonne ventilation est essentielle au fonctionnement en toute sécurité de votre appareil. S'il n'y a pas de porte ou de fenêtre pour la ventilation de la pièce, une ventilation d'appoint doit être installée.

Vous pouvez installer votre appareil à la cuisine, dans la salle à manger ou dans la chambre-salon, mais jamais dans une salle de douches ou de bains. La cuisinière ne doit pas être installée dans une chambre-salon de moins de 20 m³. Évitez d'installer cet appareil dans une pièce en dessous du niveau du sol à moins que cette pièce soit ouverte au niveau du sol sur l'un des côtés au moins.

Taille de la pièce	Ouverture de ventilation
inférieure à 5 m ³	min. 100 cm ²
5 m ³ à 10 m ³	min. 50 cm ²
supérieure à 10 m ³ den	facultatif
Dans une cave ou sous-sol	min. 65 cm ²

Installation et branchement

L'appareil doit être installé et raccordé conformément aux réglementations d'installation en vigueur.



N'installez pas l'appareil à proximité de réfrigérateurs ou congélateurs. La chaleur émise par l'appareil augmenterait la consommation d'énergie des dispositifs de refroidissement.

- Transportez l'appareil avec au moins deux personnes.
- L'unité doit être placée directement au sol. Elle ne doit pas être placée sur une base ou un socle.



N'utilisez pas la porte et/ou la poignée pour porter ou déplacer l'appareil. Cela endommage la porte, la poignée et les charnières.

Raccordement électrique

Branchez l'appareil à une ligne de terre protégée par un fusible de capacité suffisante tel qu'indiqué dans le tableau "Caractéristiques techniques". Faites installer la mise à la terre par un électricien qualifié lorsque vous utilisez l'appareil avec ou sans transformateur. Notre société ne sera pas tenue pour responsable des dégâts qui surviendraient de l'utilisation de l'appareil sans une installation de mise à la terre conforme aux réglementations locales en vigueur.



DANGER:

L'appareil doit uniquement être raccordé à l'alimentation électrique par une personne autorisée et qualifiée. La période de garantie de l'appareil démarre uniquement après son installation correcte.

Le fabricant se sera pas tenu pour responsable des dégâts consécutifs à des procédures réalisées par des personnes non autorisées.



DANGER:


Le câble d'alimentation ne doit pas être serré, plié ou pincé ou entrer en contact avec des pièces chaudes de l'appareil.


Un câble d'alimentation endommagé doit être remplacé par un électricien qualifié.

Dans le cas contraire, il présente un risque d'électrocution, de court-circuit ou d'incendie !

Les valeurs de l'alimentation électrique doivent correspondre aux valeurs figurant sur la plaque signalétique de l'appareil. La plaque signalétique est visible lorsque la porte ou le couvercle inférieur sont ouverts, ou elle est située sur la paroi arrière de l'appareil, en fonction du type de l'appareil.

Le câble d'alimentation de l'appareil doit être conforme aux valeurs du tableau "Caractéristiques techniques".

 La prise du câble d'alimentation doit être facile d'accès après l'installation (ne le faites pas passer au-dessus de la table de cuisson).

 **DANGER:**
Avant d'effectuer tout travail sur l'installation électrique, l'appareil doit être débranché du réseau d'alimentation électrique.
Vous risqueriez un choc électrique !

Branchez le câble d'alimentation dans la prise.

Raccordement au gaz

 **DANGER:**
L'appareil doit être connecté au système d'alimentation en gaz uniquement par un technicien autorisé et qualifié.
Risque d'explosion et d'intoxication causé par des réparations effectuées par des personnes non professionnelles !
Le fabricant se sera pas tenu pour responsable des dégâts consécutifs à des procédures réalisées par des personnes non autorisées.

 **DANGER:**
Avant d'effectuer tout travail sur l'installation de gaz, l'appareil doit être débranché du réseau de distribution du gaz.
Vous risqueriez une explosion !


- Les conditions et valeurs de réglages du gaz sont indiquées sur les plaques signalétiques (ou plaques type ion)
- Consultez les informations détaillées sur le raccordement et la conversion au gaz dans le manuel d'utilisateur fourni avec votre produit.

 **DANGER:**
Le tuyau de gaz ne doit pas être serré, plié ou pincé ou entrer en contact avec des pièces chaudes de l'appareil.
Un tuyau de gaz endommagé vous expose à un risque d'explosion.

- Poussez le produit vers le mur de la cuisine.
- **Réglages des pieds du four**
Les vibrations pendant l'usage peuvent faire bouger les plats de cuisson. Cette situation dangereuse peut être évitée si le produit est équilibré et stable.
Pour votre sécurité; veuillez vérifiez que le produit est stable en réglant les quatre pieds en bas en les tournant vers la gauche et la droite et en les alignant avec le haut.


Vérification finale


1. Ouvrez le robinet de gaz.
2. Vérifiez les raccords de l'installation de gaz.
3. Allumez les brûleurs et vérifiez l'aspect de la flamme.

 La flamme doit être bleue et avoir une forme régulière. Si elle est jaunâtre, assurez-vous que le bouchon du brûleur est solidement installé et nettoyez le brûleur.

Déplacement ultérieur

- Conservez le carton d'origine de l'appareil et utilisez-le pour déplacer le produit. Suivez les instructions figurant sur le carton. Si vous n'avez plus le carton original, emballez l'appareil dans du film à bulles ou du carton épais avec du ruban adhésif pour maintenir le tout.
- Afin d'éviter que la grille et la plaque situés à l'intérieur du four n'endommagent la porte, placez une bande de carton sur la contre-porte à hauteur des plaques. Attachez la porte du four aux parois latérales à l'aide de ruban adhésif.
- Attachez les couvercles et grilles de support avec du ruban adhésif.
- N'utilisez pas la porte ou la poignée pour soulever ou déplacer l'appareil.

 Ne placez aucun objet sur l'appareil et déplacez-le bien à plat.

 Inspectez l'aspect général de l'appareil pour déceler les dégâts potentiellement dus au transport.

4 Préparations

Conseils pour faire des économies d'énergie

Les conseils suivants vous permettront d'utiliser votre appareil de façon écologique et d'économiser ainsi de l'énergie :

- Utilisez des ustensiles de cuisine de couleur obscure et recouverts d'émail car la transmission de chaleur sera améliorée.
- Lorsque vous cuisinez, lancez un préchauffage si cela est conseillé dans le manuel d'utilisation ou la description de la recette.
- N'ouvrez pas la porte du four trop souvent pendant la cuisson.
- Essayez de faire cuire plusieurs plats simultanément dans le four lorsque vous le pouvez. Vous pouvez placer deux plats de cuisson sur le châssis métallique.
- Faites cuire plusieurs plats successivement. Le four sera déjà à température.
- Décongelez les plats surgelés avant de les cuire.
- Utilisez des récipients munis de couvercles. Sans couvercle, la consommation d'énergie peut être 4 fois plus importante.
- Sélectionnez le brûleur le mieux adapté à la taille du bas de la casserole utilisée. Sélectionnez toujours la casserole à la taille la plus appropriée pour vos plats. Les grandes casseroles nécessitent davantage d'énergie.

Première utilisation

Premier nettoyage de l'appareil



La surface pourrait être endommagée par certains détergents ou produits de nettoyage.

N'utilisez pas de détergents agressifs, de poudre/crèmes de nettoyage ou d'objets tranchants pour le nettoyage.

1. Retirez tous les matériaux d'emballage.
2. Essuyez les surfaces de l'appareil à l'aide d'un chiffon humide ou d'une éponge et terminez avec un chiffon.

Première cuisson

Faites chauffer l'appareil pendant 30 minutes puis éteignez-le. De cette manière, tous les résidus de production ou les couches de conservation seront brûlés et supprimés.



AVERTISSEMENT

Les surfaces chaudes peuvent provoquer des brûlures !

L'appareil peut être très chaud pendant son utilisation. Ne touchez jamais les brûleurs, sections internes du four, résistances, etc. lorsqu'ils sont chauds. Tenez les enfants à l'écart.

Utilisez toujours des gants de protection thermique lorsque vous placez dans ou retirez des plats du four chaud.

Four à gaz

1. Sortez toutes les plaques de cuisson et la grille métallique du four.
2. Fermez la porte du four.
3. Sélectionnez la flamme la plus forte pour le four à gaz ; voir *Utilisation du four à gaz*, page 19.
4. Faites fonctionner le four environ 30 minutes.
5. Eteignez votre four ; voir *Utilisation du four à gaz*, page 19

Four à grill

1. Sortez toutes les plaques de cuisson et la grille métallique du four.
2. Fermez la porte du four.
3. Sélectionnez la flamme la plus forte pour le four à grill ; voir *Utilisation du grill à gaz*, page 21.
4. Faites fonctionner le four environ 30 minutes.
5. Eteignez votre grill ; voir *Utilisation du grill à gaz*, page 21



Une odeur et de la fumée peuvent se dégager pendant quelques heures au cours de la première utilisation. Ce phénomène est tout à fait normal. Assurez-vous que la pièce est bien aérée pour évacuer l'odeur et la fumée. Évitez d'avaler la fumée et l'odeur qui se dégagent.

5 Utilisation de la table de cuisson

Généralités concernant la cuisson



Ne remplissez jamais la poêle à plus d'un tiers. Ne laissez pas la table de cuisson sans surveillance lorsque vous chauffez de l'huile. Une huile surchauffée expose au risque d'incendie. **Ne tentez jamais d'éteindre un éventuel incendie avec de l'eau !** Lorsque l'huile s'enflamme, couvrez-la avec une couverture pare-flammes ou un chiffon humide. Éteignez la table de cuisson si cela ne pose aucun risque et appelez les sapeurs-pompiers.

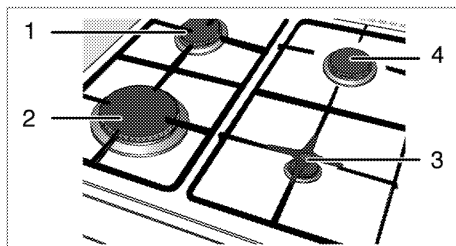
- Avant de faire frire des aliments, séchez-les toujours avant de les tremper dans l'huile chaude. Assurez-vous que les aliments surgelés soient bien décongelés avant de les faire frire.
- Ne couvrez pas le récipient lorsque vous faites chauffer de l'huile.
- Disposez les poêles et casseroles de manière à ce que leur poignée ne se trouve pas au-dessus de la table de cuisson afin d'éviter de faire chauffer les poignées. Ne placez pas de récipients instables et pouvant se renverser facilement sur la table de cuisson.
- Ne placez pas de récipients et de casseroles vides sur les foyers qui sont allumés. Ils pourraient être endommagés.
- Faire chauffer un foyer en l'absence d'un récipient ou d'une casserole peut entraîner des dommages pour l'appareil. Arrêtez les foyers de cuisson une fois la cuisson terminée.
- La surface de l'appareil peut être brûlante, évitez donc de poser des récipients en plastique ou en aluminium dessus. Évitez également d'utiliser ce type de récipients pour y conserver de la nourriture.
- N'utilisez que des casseroles à fond plat.
- Placez la quantité de nourriture appropriée dans les casseroles utilisées. Ainsi, vous

n'aurez pas à effectuer un nettoyage superflu en évitant que vos plats ne débordent. Ne posez pas les couvercles de vos poêles et casseroles sur les foyers de cuisson. Placez les casseroles de manière à ce qu'elles soient centrées sur le foyer de cuisson. Lorsque vous voulez déplacer la casserole sur un autre foyer de cuisson, soulevez-la et placez-la sur le foyer de cuisson souhaité au lieu de la faire glisser.

Cuisson au gaz

- La taille du récipient et celle de la flamme doivent correspondre. Réglez les flammes du gaz afin qu'elles ne dépassent pas du fond du récipient et centrez ce dernier sur la grille.

Utilisation des tables de cuisson



- 1 Brûleur normal 18-20 cm
- 2 Brûleur rapide 22-24 cm
- 3 Brûleur auxiliaire 12-18 cm
- 4 Brûleur normal 18-20 cm est une liste des diamètres de récipients recommandés à utiliser sur les brûleurs correspondants.

Le symbole représentant une grande flamme indique la puissance de cuisson la plus élevée et le symbole représentant une petite flamme indique la puissance de cuisson la moins élevée. En position OFF (indicateur vers le haut), les brûleurs ne sont pas alimentés en gaz.

Allumage des brûleurs à gaz



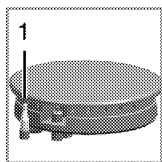
Les brûleurs à gaz sont allumés au moyen de boutons d'allumage.

1. Maintenez le bouton du brûleur approprié enfoncé.
2. Tournez-le dans le sens anti-horaire vers le symbole représentant la grande flamme.
3. Appuyez sur le bouton d'allumage et relâchez-le. Répétez l'opération jusqu'à ce que le gaz s'enflamme.
4. Réglez la puissance de cuisson souhaitée.

Arrêt des brûleurs à gaz.

Tournez le bouton de la zone garde-au-chaud sur la position OFF (indicateur vers le haut).

Système de coupure de sécurité du gaz (sur les modèles dotés d'un composant thermique)



1. Sécurité de coupure du gaz

Un mécanisme de sécurité fait office de contre-mesure et se déclenche pour couper l'arrivée de gaz en cas de débordement de liquide sur les brûleurs.

- Appuyez sur le bouton et tournez-le dans le sens anti-horaire pour allumer le gaz.
- Maintenez ensuite le bouton enfoncé pendant 3 à 5 secondes supplémentaires pour activer le système de sécurité.
- Si le gaz ne s'allume pas après avoir appuyé et relâché le bouton, répétez l'opération en maintenant le bouton enfoncé pendant une quinzaine de secondes.



DANGER:

Relâchez le bouton si le brûleur à gaz ne s'allume pas après 15 secondes. Patientez au moins 1 minute avant de réessayer. Vous risqueriez une accumulation de gaz et une explosion !

6 Utilisation du four

Informations générales concernant la pâtisserie, la rôtisserie et les gril-lades



AVERTISSEMENT

Les surfaces chaudes peuvent provoquer des brûlures !
L'appareil peut être très chaud pendant son utilisation. Ne touchez jamais les brûleurs, sections internes du four, résistances, etc. lorsqu'ils sont chauds. Tenez les enfants à l'écart.

Utilisez toujours des gants de protection thermique lorsque vous placez dans ou retirez des plats du four chaud.



DANGER:

Faites attention lors de l'ouverture du four car de la vapeur peut s'en échapper.

La vapeur peut provoquer des brûlures sur vos mains, votre visage et/ou vos yeux.

Conseils pour la pâtisserie

- Utilisez des plats en métal anti-adhérent adaptés ou des ustensiles en aluminium ou des moules en silicone résistant à la chaleur.
- Utilisez l'espace de la plaque au mieux.
- Placez le moule de cuisson au milieu.
- Sélectionnez l'emplacement adapté avant d'allumer le four ou le grill. Ne changez pas d'emplacement lorsque le four est chaud.
- Gardez la porte du four fermée.

Conseils pour rôtir

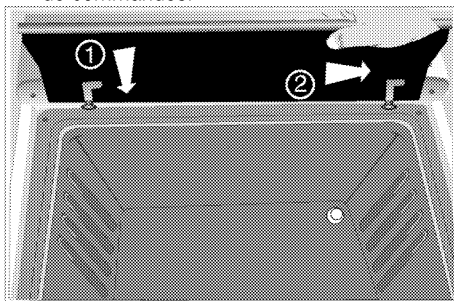
- Assaisonner les poulets entiers, dindes et gros morceaux de viande avec du jus de citron et du poivre noir avant la cuisson augmentera la performance de cuisson.
- La viande rôtie met 15 à 30 minutes de plus à cuire avec des os par rapport à un rôti équivalent sans os.
- Chaque centimètre d'épaisseur de viande requiert environ 4 à 5 minutes de temps de cuisson.

- Laissez la viande reposer dans le four pendant environ 10 minutes après le temps de cuisson. Le jus se répartira sur l'ensemble de la viande et ne coulera pas à sa découpe.
- Le poisson doit être placé au milieu du four ou plus bas dans un plat résistant au feu.

Installation de l'écran thermique

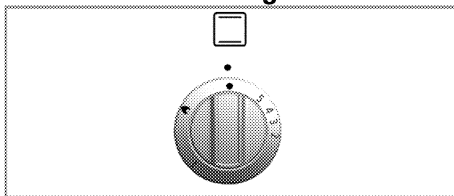
L'écran thermique est utilisé pour griller avec la porte du four ouverte. Protège le bandeau de commande et les boutons de la chaleur et de la saleté.

1. Ouvrez la porte du four et insérez l'écran thermique dans les fentes sous le bandeau de commandes.



» Quand l'écran thermique est installé, la porte du four reste ouverte.

Utilisation du four à gaz



Le four à gaz est actionné par la manette de commande du four à gaz. Dans la position arrêt (haut) l'alimentation en gaz est coupée.

Allumage du four à gaz

Le four à gaz s'allume avec un bouton d'allumage.

1. Ouvrez la porte du four.
2. Maintenez la manette de commande du four à gaz enfoncée et tournez-la dans le **sens inverse des aiguilles d'une montre**.

3. Appuyez sur la commande d'allumage et relâchez-la de nouveau.
4. Maintenez la manette de commande du four à gaz enfoncée pendant 3 à 5 secondes.
» Répétez l'opération jusqu'à ce que le gaz s'échappant s'enflamme.
5. Maintenez la manette de commande du four à gaz enfoncée pendant 3 à 5 secondes supplémentaires. Assurez-vous que le gaz s'est allumé et que la flamme est présente.
6. Réglez la puissance de cuisson/ gaz souhaitée.
7. S'il n'y a pas d'électricité, allumez le gaz avec le briquet dans le trou de commande d'allumage.



DANGER:

Vous risqueriez une compression de gaz et une explosion !
N'essayez pas d'allumer le gaz pendant plus de 15 secondes. Si le brûleur à gaz ne s'allume pas après 15 secondes, relâchez le bouton et patientez pendant 1 minute. Aérez la salle avant de réessayer d'allumer le brûleur à gaz. Vous risqueriez une compression de gaz et une explosion !

Arrêt du four à gaz

1. Tournez la manette de commande du four à gaz sur la position arrêt (haut).
Les niveaux de gaz signifient :

Niveau de gaz	1	2	3	4	5
Température en °C	170	180	200	230	280

Tableau des temps de cuisson



Le 1er étage du four est l'emplacement du châssis du bas.



Les durées indiquées dans ce tableau ne servent que d'exemple. Elles peuvent varier selon la température, l'épaisseur et le type d'aliments, ainsi que vos préférences de cuisson.



Capacité de charge maximale pour la plaque de four : 4 kg (8,8 lb).

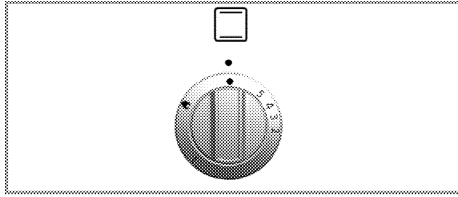
Placez les plats sur du papier sulfurisé pour empêcher des écoulements sur la base du four et garder le four propre.

Cuisson au four et rôtisserie

Aliments	Préchauffage *	Niveaux de d'insertion	Position de manette de contrôle	Temps de cuisson
Tourte aux pommes	10 min.	3	1	60...70 min.
Tarte aux fruits	10 min.	3	1	60...70 min.
Tourte	10 min.	3	1	60...70 min.
Cookies	10 min.	4	1...2	30...40 min.
Pâtisserie	10 min.	3...4	1...2	40...50 min.
Gâteau	10 min.	3	1...2	60...70 min.
Biscuits	10 min.	4	1...2	30...40 min.
Agneau rôti	10 min.	4...5	3	35...45 min. par 450 g + 30 min.
Rôti de bœuf	10 min.	3...4	3	100...130 min. par 450 g + 30 min.
Dinde	10 min.	3	3	100...130 min. par 450 g + 30 min.
Volaille	10 min.	3	1...2	100...130 min. par 450 g + 25 min.
Ragoûts	10 min.	4	1...2	90...120 min. ^s
Poisson	10 min.	3	1...2	45...55 min.
Macaronis	10 min.	4	1...2	50...55 min.
Petits gâteaux	10 min.	3...4	1	40...50 min.
Victoria sandwich (Génoise)	10 min.	3	1	30...35 min.

* en position 5 de la manette de contrôle / ^s en fonction de la quantité / ^s en fonction de la taille

Utilisation du grill à gaz



Le grill est activé avec la manette de contrôle du grill. En position Arrêt (indicateur vers le haut), il n'y a pas d'alimentation en gaz.

La porte du four doit restée ouverte pendant le grill.



AVERTISSEMENT

Les surfaces chaudes peuvent brûler ! Tenez les enfants à l'écart de l'appareil. Laissez la porte du four légèrement inclinée lorsqu'elle est grandement ouverte, afin d'être à l'abri des éclaboussures.

Allumage du grill

Le four à gaz s'allume avec un bouton d'allumage.

1. Ouvrez la porte du four.
 2. Appuyez sur le bouton d'allumage et relâchez-le.
- » Répétez l'opération jusqu'à ce que le gaz s'enflamme.
3. Maintenez la commande du brûleur enfoncée pendant 3 à 5 secondes de plus.
 4. Vérifiez que le grill est allumé.
 5. Si l'électricité est coupée, allumez le brûleur du grill avec un briquet ou une allumette.



DANGER:

Vous risqueriez une compression de gaz et une explosion ! N'essayez pas d'allumer le gaz pendant plus de 15 secondes. Si le brûleur à gaz ne s'allume pas après 15 secondes, relâchez le bouton et patientez pendant 1 minute. Aérez la salle avant de réessayer d'allumer le brûleur à gaz. Vous risqueriez une compression de gaz et une explosion !

Extinction du grill

1. Tournez la manette de contrôle du grill sur Arrêt (indicateur vers le haut)



Les aliments non adaptés pour le grill exposent à des risques d'incendie. N'utilisez que des aliments à griller adaptés à une chaleur de grill intense. Ne placez pas la nourriture trop au fond du grill. Il s'agit de la zone la plus chaude et les aliments gras pourraient prendre feu.

Tableau des temps de cuisson



Les durées indiquées dans ce tableau ne servent que d'exemple. Elles peuvent varier selon la température, l'épaisseur et le type d'aliments, ainsi que vos préférences de cuisson.



Le 1er étage du four est l'emplacement du châssis du bas.

Grillade avec le grill à gaz

Aliments	Préparation/réglage	Temps de grill [#]
Faire griller du pain	3..10 min.
Petits morceaux de viande, saucisses, bacon, etc.	15...20 min.
Côtelettes, tranches de jambon fumé, morceaux de poulet, etc.	Poulet avec grille dans la position retournée.	20..25 min.
Poisson entier, filets de poissons, bâtonnets de poisson	Poisson entier et filets de poisson placés sur le fond de la lèche-frite.	10...20 min.
Poisson pané	15..20 min.
Produits précuits à base de pommes de terre	15...20 min.
Pizza	Placés dans la base de la lèche-frite.	12..15 min.
Faire dorer/griller des aliments	Plat posé directement au fond du compartiment grill.	8...10 min.

[#] selon la taille et l'épaisseur

7 Maintenance et entretien

Généralités

Un nettoyage régulier de l'appareil en rallongera la durée de vie et diminuera l'apparition de problèmes.



DANGER:

Débranchez l'appareil de la prise d'alimentation avant de commencer le nettoyage et l'entretien.
Vous risqueriez un choc électrique !



DANGER:

Laissez l'appareil refroidir avant de le nettoyer.
Les surfaces chaudes peuvent brûler !

- Nettoyez l'appareil après chaque utilisation. Il vous sera ainsi possible d'ôter plus facilement les résidus de nourriture éventuels, évitant ainsi qu'ils ne brûlent lors de l'utilisation suivante.
- Aucun produit nettoyant particulier n'est nécessaire pour nettoyer l'appareil. Utilisez de l'eau tiède avec du détergent, un chiffon doux ou une éponge pour nettoyer l'appareil et essuyez-le à l'aide d'un chiffon sec.
- Veillez toujours à bien essuyer les excès de liquide après le nettoyage et essuyez immédiatement tout déversement.
- N'utilisez pas de détergents contenant de l'acide ou du chlore pour nettoyer les surfaces en acier inoxydable et la poignée. Utilisez un chiffon doux avec un détergent liquide non abrasif pour nettoyer ces parties, en prenant soin de toujours frotter dans le même sens.



La surface pourrait être endommagée par certains détergents ou produits de nettoyage.

N'utilisez pas de détergents agressifs, de poudre/crèmes de nettoyage ou d'objets tranchants pour le nettoyage.



N'utilisez pas de nettoyeurs à vapeur pour le nettoyage de l'appareil, car ceux-ci présentent un risque d'électrocution.

Nettoyage de la table de cuisson

Tables de cuisson à gaz

1. Retirez et nettoyez les grilles et les chapeaux de brûleurs.
2. Nettoyez la table de cuisson.
3. Installez les chapeaux de brûleurs et vérifiez qu'ils sont bien posés.
4. Lorsque vous installez la grille supérieure, veillez à bien positionner les grilles afin de centrer les brûleurs.

Nettoyage du bandeau de commande

Nettoyez le bandeau de commande et les boutons de commande avec un chiffon humide et essuyez-les.



Ne retirez pas les boutons de commande pour nettoyer le bandeau de commande. Le panneau de commande pourrait être endommagé !

Nettoyage du four

Nettoyage de la porte du four.

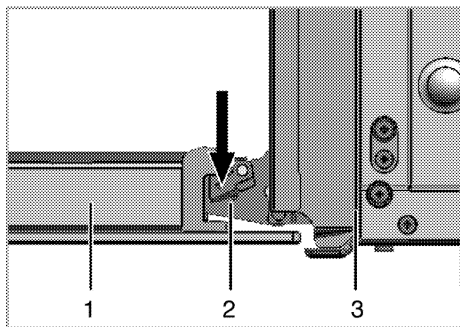
Utilisez de l'eau tiède avec du détergent, un chiffon doux ou une éponge pour nettoyer la porte du four et essuyez l'appareil à l'aide d'un chiffon sec.



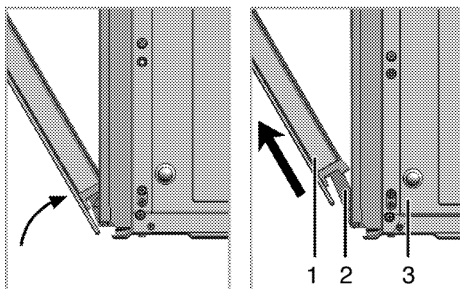
N'utilisez pas de détergents abrasifs ou de grattoirs en métal dur pour nettoyer la porte du four. Vous pourriez rayer la surface et endommager la vitre.

Retirer la porte du four.

1. Ouvrez la porte frontale (1).
2. Ouvrez les clips sur le logement de la charnière (2) sur les côtés droit et gauche de la porte frontale en faisant pression sur les clips, tel qu'illustré dans le schéma.



- 1 Porte frontale
- 2 Charnière
- 3 Four



- 3. Ouvrez la porte frontale à moitié.
- 4. Retirez la porte frontale en la tirant vers le haut pour la libérer des charnières droite et gauche.

i Les étapes effectuées pendant le processus de retrait doivent être suivies dans l'ordre inverse pour installer la porte. N'oubliez pas de fermer les clips du logement de la charnière lors de la réinstallation de la porte.

Remplacement de l'ampoule du four



DANGER:

Avant de remplacer l'ampoule de four, vérifiez que l'appareil est débranché de l'alimentation et froid afin d'éviter tout risque de choc électrique. Les surfaces chaudes peuvent brûler !



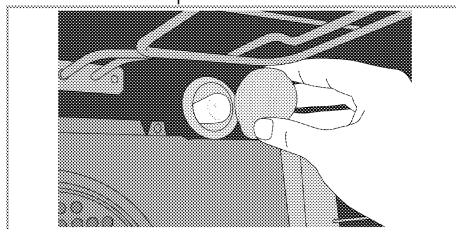
L'ampoule du four est une ampoule électrique d'éclairage spéciale pouvant résister à des chaleurs allant jusqu'à 300°C. Reportez-vous aux *Caractéristiques techniques*, page 11 pour les détails. Des ampoules de four sont disponibles auprès de votre technicien autorisé.



L'emplacement de la lampe peut varier par rapport à l'illustration.

Si votre four est équipé d'une lampe ronde :

1. Débranchez l'appareil de l'alimentation.
2. Dévissez le cache de l'ampoule en le tournant dans le sens contraire des aiguilles d'une montre pour l'enlever.



3. Dévissez l'ampoule du four en la tournant dans le sens inverse des aiguilles d'une montre et remplacez-la par une ampoule neuve.
4. Remettez en place le cache de l'ampoule.

8 Recherche et résolution des pannes

Le four émet de la vapeur lorsqu'il est en marche..

- Il est normal que de la vapeur s'échappe pendant le fonctionnement. >>> *Cela n'est pas un défaut.*

Le four émet des bruits métalliques lors des phases de chauffage et de refroidissement.

- Lorsque les pièces métalliques sont chauffées, elles peuvent se détendre et émettre ces bruits. >>> *Cela n'est pas un défaut.*

Il n'y a pas d'étincelle d'allumage.

- Pas de courant. >>> *Vérifiez les fusibles dans la boîte à fusibles.*

Il n'y a pas de gaz.

- Le robinet de gaz principal est fermé. >>> *Ouvrez le robinet du gaz.*
- Le tuyau du gaz est plié. >>> *Installez le tuyau du gaz correctement.*

Les brûleurs ne s'allument pas correctement ou pas du tout.

- Les brûleurs sont sales. >>> *Nettoyez les composants des brûleurs.*
- Les brûleurs sont humides. >>> *Séchez les composants des brûleurs.*
- Le couvercle du brûleur n'est pas assemblé correctement. >>> *Assemblez le couvercle du brûleur correctement.*
- Le robinet de gaz principal est fermé. >>> *Ouvrez le robinet du gaz.*
- La bonbonne de gaz est vide (en cas d'utilisation du LPG). >>> *Remplacez la bonbonne du gaz.*



Consultez le technicien autorisé ou le revendeur qui vous a vendu l'appareil si vous ne parvenez pas à résoudre le problème après avoir suivi les instructions comprises dans ce chapitre. N'essayez jamais de réparer un appareil défectueux vous-même.

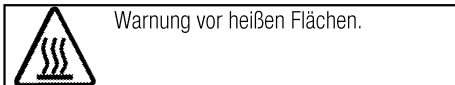
Bitte zuerst diese Anleitung lesen.

Sehr geehrte Kundin, sehr geehrter Kunde,
vielen Dank für den Kauf eines Beko-Produktes. Wir hoffen, dass dieses Produkt, das mit hochqualitativer und hochmoderner Technologie gefertigt wurde, beste Ergebnisse erzielt. Daher sollte die gesamte Bedienungsanleitung und alle zugehörigen Dokumente vor Benutzung des Produktes aufmerksam gelesen und zum zukünftigen Nachschlagen aufgehoben werden. Wenn das Gerät an jemand anderen weitergeben, muss die Bedienungsanleitung ebenfalls weitergegeben werden. Alle Warnungen und Informationen in der Anleitung müssen befolgt werden.

Bitte bedenken, dass diese Bedienungsanleitung eventuell für mehrere Modelle geschrieben wurde. Unterschiede zwischen den Modellen werden in der Anleitung hervorgehoben.

Die Symbole

In dieser Anleitung nutzen wir die folgenden Symbole:



Arçelik A.Ş.
Karaağaç caddesi No:2-6
34445 Söğütözü/Istanbul/TURKEY
Made in TURKEY

1 Wichtige Anweisungen und Warnungen zu Sicherheit und Umwelt **4**

Sicherheit, allgemein	4
Sicherheit beim Umgang mit Gas	4
Produktsicherheit	6
Bestimmungsgemäße Verwendung	7
Sicherheit für Kinder.....	7
Altgeräte entsorgen	8
Verpackungsmaterialien entsorgen.....	8

2 Allgemeine Informationen **9**

Geräteübersicht	9
Lieferumfang	10
Technische Daten	11
Injektortabelle	11

3 Installation **12**

Vor der Installation	12
Einbauen und Anschließen.....	13
Transport.....	14

4 Vorbereitungen **15**

Tipps zum Energiesparen.....	15
Erste Inbetriebnahme	15

Erstreinigung des Gerätes	15
Erstaufheizung	15

5 Bedienung Kochfeld **16**

Allgemeine Hinweise zum Kochen	16
Kochfeld verwenden	16

6 Bedienung Backofen **18**

Allgemeine Hinweise zum Backen, Braten und Grillen.....	18
Gasbackofen bedienen	18
Garzeitentabelle	19
Gasgrill bedienen	20
Garntabelle	20

7 Pflege und Wartung **21**

Allgemeine Hinweise	21
Kochfeld reinigen	21
Bedienfeld reinigen.....	21
Backofen reinigen	21
Ofentür ausbauen.....	22
Ofenbeleuchtung auswechseln	22

8 Problemlösung **23**

1 Wichtige Anweisungen und Warnungen zu Sicherheit und Umwelt

Dieser Abschnitt enthält wichtige Sicherheitshinweise, die dazu beitragen, dass es nicht zu Verletzungen und Sachschäden kommt. Bei Nichtbefolgung dieser Anweisungen erlöscht die Garantie.

Sicherheit, allgemein

- Dieses Gerät darf von Kindern ab acht Jahren und Personen benutzt werden, die unter körperlichen oder geistigen Einschränkungen leiden oder denen es an der nötigen Erfahrung im Umgang mit solchen Geräten mangelt, sofern solche Personen ständig beaufsichtigt werden und/oder gründlich in der sicheren Verwendung des Gerätes und hinsichtlich möglicher Gefahren unterwiesen wurden.
Kinder dürfen nicht mit dem Gerät spielen. Reinigungs- und Wartungsarbeiten dürfen von Kindern nicht ohne Aufsicht eines Erwachsenen durchgeführt werden.
- Produkt niemals auf einen Teppichboden stellen. Andernfalls kann die geringe Luftzirkulation unter dem Produkt eine Überhitzung der elektrischen Teile

zur Folge haben. Dies führt zu Problemen mit dem Produkt.

- Installation und Reparaturen müssen grundsätzlich vom autorisierten Kundendienst ausgeführt werden. Der Hersteller haftet nicht für Schäden, die durch Aktivitäten nicht autorisierter Dritter entstehen; zudem kann dadurch die Garantie erlöschen. Vor der Installation aufmerksam alle Anweisungen lesen.
- Gerät nicht nutzen, falls es nicht ordnungsgemäß funktioniert oder sichtbare Beschädigungen aufweist.
- Nach jeder Benutzung prüfen, ob die Funktionsknöpfe des Produktes ausgeschaltet sind.

Sicherheit beim Umgang mit Gas

- Arbeiten an Gasgeräten und -anlagen dürfen nur von autorisierten Fachkräften durchgeführt werden.
- Vergewissern Sie sich vor der Installation, dass Gasart und Gasdruck mit der Einstellung des Gerätes kompatibel sind.
- Dieses Gerät wird nicht an Ableitvorrichtungen für Verbrennungsgase angeschlossen. Es muss in

Übereinstimmung mit gültigen Installationsvorschriften installiert und angeschlossen werden.

Besonderes Augenmerk ist auf die zutreffenden Richtlinien zur Belüftung zu legen; siehe *Vor der Installation, Seite 12*

- Die Nutzung eines Gaskochgerätes erzeugt Hitze, Feuchtigkeit und Verbrennungsprodukte in dem Raum, in dem es installiert ist. Stellen Sie eine gute Durchlüftung der Küche sicher; vor allem wenn das Gerät in Betrieb ist: Halten Sie natürliche Belüftungsöffnungen offen oder installieren Sie ein mechanisches Entlüftungsgerät (mechanische Abzugshaube). Bei längerem und intensivem Einsatz des Gerätes kann eine zusätzliche Belüftung erforderlich sein; beispielsweise die Erhöhung der Intensität des mechanischen Entlüftungssystems (sofern vorhanden).
- Gasgeräte und -anlagen müssen regelmäßig auf einwandfreie Funktion überprüft werden. Regulator, Schlauch und -klemme müssen regelmäßig überprüft und in vom Hersteller vorgegebenen Intervallen oder bei Bedarf ausgetauscht werden.

- Reinigen Sie regelmäßig die Gasbrennstellen. Die Flammen sollen ruhig und blau brennen.
- In Gasgeräten muss eine gute Verbrennung stattfinden. Bei unvollständiger Verbrennung kann es zur Bildung von Kohlenmonoxid (CO) kommen. Kohlenmonoxid ist ein farbloses, geruchloses und sehr giftiges Gas, welches schon in geringen Mengen tödlich wirkt.
- Informieren Sie sich bei Ihrem Gasversorgungsunternehmen über Gas-Notrufnummern und Sicherheitsmaßnahmen bei Gasgeruch.

Verhaltensregeln bei Gasgeruch

- Keine offenen Flammen nutzen, nicht rauchen. Keinerlei elektrische Schalter (Beleuchtung, Türklingel etc.) nutzen. Keine Telefone/Mobiltelefone nutzen. Explosions- und Vergiftungsgefahr!
- Türen und Fenster öffnen.
- Alle Ventile an Gasgeräten und Gaszählern schließen.
- Alle Schläuche und Verbindungen auf Dichtigkeit überprüfen. Falls Sie immer noch Gasgeruch wahrnehmen, die Wohnung verlassen.
- Nachbarn warnen.
- Feuerwehr rufen. Benutzen Sie ein Telefon außerhalb des Hauses.

- Nähern Sie sich erst dann wieder, wenn Ihnen mitgeteilt wurde, dass keine Gefahr besteht.

Produktsicherheit

- Das Gerät und seine zugänglichen Teile werden während des Betriebs heiß. Keine Heizelemente berühren. Kinder unter 8 Jahren fernhalten, sofern nicht kontinuierlich beaufsichtigt.
- Produkt niemals nutzen, wenn Urteilsvermögen oder Koordination durch Alkohol und/oder Drogen beeinträchtigt sind.
- Bei alkoholischen Getränken in den Gerichten entsprechend vorsichtig sein. Alkohol verdampft bei hohen Temperaturen und kann durch Entzünden bei Kontakt mit heißen Oberflächen Feuer verursachen.
- Keine brennbaren Materialien in der Nähe des Produktes aufstellen, da die Seiten während des Gebrauchs heiß werden können.
- Während des Gebrauchs wird das Gerät heiß. Keine Heizelemente im Inneren des Backofens berühren.
- Darauf achten, dass keine Belüftungsschlitze blockiert werden.
- Keine geschlossenen Dosen und Glasgefäße im Ofen erhitzen. Der in der Dose/im Glasgefäß entstehende Druck könnte Dose/Glasgefäß bersten lassen.
- Backbleche, Gerichte und Alufolie nicht direkt auf den Boden des Backofens stellen. Der Hitzestau kann den Boden des Backofens beschädigen.
- Zur Reinigung der Backofen-Glastür keine aggressiven scheuernden Reiniger oder scharfen Metallschaber verwenden, da diese die Oberfläche zerkratzen und so das Glas springen lassen können.
- Zur Reinigung des Gerätes keine Dampfreiniger verwenden; andernfalls besteht Stromschlaggefahr.
- Produkt nicht verwenden, falls das Glas der Fronttür entfernt oder gesprungen ist.
- Ofengriff nicht zum Trocknen von Geschirrtüchern verwenden. Keine Geschirrtücher, Handschuhe oder vergleichbare Textilprodukte aufhängen, wenn die Grillfunktion bei geöffneter Tür arbeitet.
- Beim Hineingeben oder Herausnehmen von Gerichten in den/aus dem heißen Ofen immer hitzebeständige Ofenhandschuhe verwenden.
- Zur Vermeidung von Stromschlaggefahr vor dem

Auswechseln der Lampe sicherstellen, dass das Gerät abgeschaltet ist.

- Obere Abdeckung nicht vor Abkühlen der Herdplatten oder Brenner schließen. Obere Abdeckung vor dem Öffnen trocknen, damit kein Wasser in die hinteren und Innenbereiche des Backofens läuft.
- Unbeaufsichtigtes Garen auf einem Kochfeld mit Fett oder Öl kann gefährlich sein und Brände verursachen. Niemals versuchen, ein Feuer mit Wasser zu löschen; stattdessen das Gerät abschalten und Flammen z. B. mit einem Deckel oder einer Feuerlöschdecke abdecken.
- Brandgefahr: Keine Gegenstände auf den Kochoberflächen aufbewahren.

Brandschutzvorkehrungen des Produktes:

- Sicherstellen, dass der Stecker richtig in den Anschluss eingesteckt ist und keine Funken erzeugt.
- Keine beschädigten oder abgeschnittenen Kabel bzw. Verlängerungskabel verwenden; nur das Originalkabel einsetzen.
- Beim Anschließen des Produktes sicherstellen, dass sich keine Flüssigkeit oder Feuchtigkeit am Stecker befindet.

- Sicherstellen, dass der Gasanschluss richtig installiert ist und kein Gas austritt.

Bestimmungsgemäße

Verwendung

- Dieses Gerät wurde für den reinen Hausgebrauch entwickelt. Eine gewerbliche Nutzung ist nicht zulässig.
- Dieses Gerät dient ausschließlich der Zubereitung von Speisen. Es darf nicht zu anderen Zwecken eingesetzt werden.
- Missbrauchen Sie das Gerät nicht zum Vorwärmen von Tellern, hängen Sie keine Küchentücher, Handtücher und dergleichen zum Trocknen oder Anwärmen an die Griffe.
- Für Schäden, die durch unsachgemäßen Gebrauch oder falsche Bedienung verursacht werden, haftet der Hersteller nicht.
- Das Gerät ist zum Garen, Auftauen, Backen, Braten und Grillen von Lebensmitteln geeignet.

Sicherheit für Kinder

- Zugängliche Teile können im Betrieb heiß werden. Halten Sie kleine Kinder nach Möglichkeit fern.
- Die Verpackungsmaterialien können für Kinder gefährlich sein. Bewahren Sie Verpackungsmaterialien

außerhalb der Reichweite von Kindern auf. Bitte entsorgen Sie alle Verpackungsteile entsprechend den Umweltstandards.

- Elektro- und/oder Gasprodukte sind für Kinder gefährlich. Halten Sie Kinder im Betrieb vom Produkt fern, lassen Sie sie nicht mit dem Produkt spielen.
- Es ist eine zusätzliche Schutzmaßnahme verfügbar, mit der sich der Kontakt mit der Ofentür vermeiden lässt. Dieser Teil sollte angebracht werden, wenn sich Kinder in der Nähe des Produktes aufhalten.
- Stellen Sie keine Gegenstände über das Gerät, nach denen Kinder greifen können.
- Wenn die Ofentür offen ist, dürfen Sie **keine** schweren Gegenstände darauf abstellen; Kinder dürfen sich **nicht** darauf setzen. Andernfalls können das Gerät umkippen bzw. die Türgelenke beschädigt werden.

Altgeräte entsorgen



Entsorgen Sie Altgeräte grundsätzlich auf umweltfreundliche Weise. Dieses Gerät ist mit dem Sammelsymbol für elektrische und

elektronische Altgeräte (WEEE) gekennzeichnet. Das bedeutet, dass das Gerät nach den Vorgaben der EG-Richtlinie recycelt und zerlegt werden muss, damit die Umwelt möglichst wenig beeinträchtigt wird. Weitere Informationen erhalten Sie bei Ihrer Stadtverwaltung.

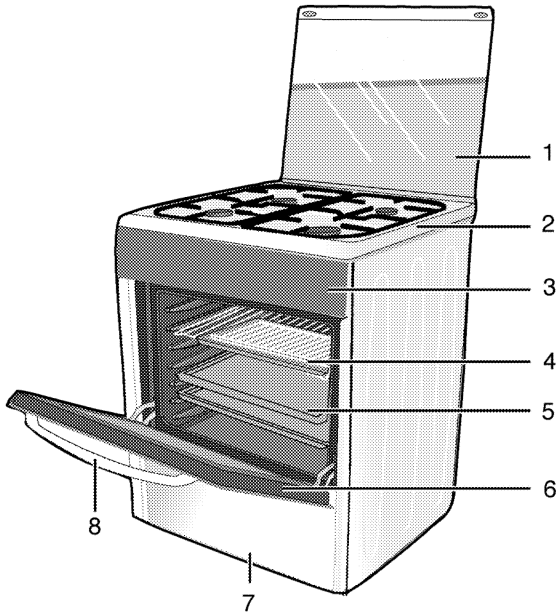
Hinweise zur richtigen Entsorgung des Gerätes erhalten Sie von Ihrem Händler oder bei entsprechenden Sammelstellen in Ihrer Nähe. Bevor Sie das Gerät entsorgen, schneiden Sie das Netzkabel ab und machen die Türverriegelung (sofern vorhanden) unbrauchbar, damit Kinder nicht in Gefahr geraten.

Verpackungsmaterialien entsorgen

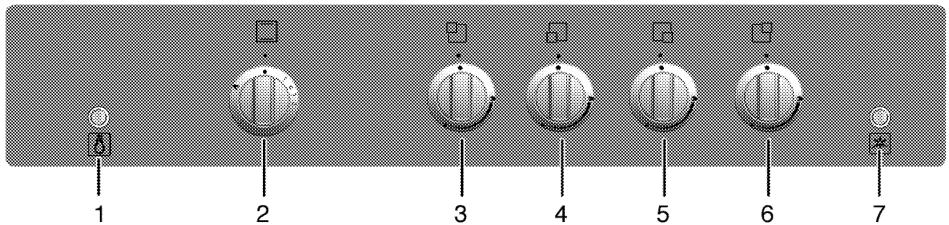
- Verpackungsmaterialien können für Kinder gefährlich werden. Bewahren Sie Verpackungsmaterialien an einem sicheren Ort außerhalb der Reichweite von Kindern auf. Die Verpackung des Gerätes besteht aus wiederverwertbaren Materialien. Entsorgen Sie diese vorschriftsgemäß und entsprechend sortiert. Entsorgen Sie solche Materialien nicht mit dem normalen Hausmüll.

2 Allgemeine Informationen

Geräteübersicht



- | | | | |
|---|---------------|---|-----------|
| 1 | Oberer Deckel | 5 | Blech |
| 2 | Brennerplatte | 6 | Ofentür |
| 3 | Bedienfeld | 7 | Unterteil |
| 4 | Rost | 8 | Griff |



- | | |
|---|-----------------------------|
| 1 | Leuchtentaste |
| 2 | Ofenknopf |
| 3 | Normalbrenner Hinten links |
| 4 | Schnellbrenner Vorne links |
| 5 | Nebenbrenner Vorne rechts |
| 6 | Normalbrenner Hinten rechts |
| 7 | Zündtaste |

Lieferumfang

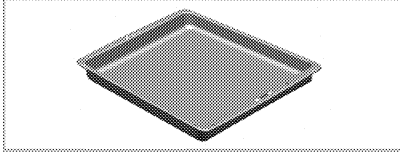


Je nach Modell wird eventuell unterschiedliches Zubehör mitgeliefert. Daher kann es vorkommen, dass nicht sämtliches in der Anleitung erwähntes Zubehör mit Ihrem Gerät geliefert wird.

1. **Bedienungsanleitung**

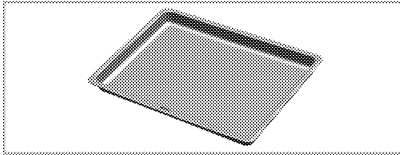
2. **Backblech**

Für Backwaren, Tiefkühlgerichte und große Braten.



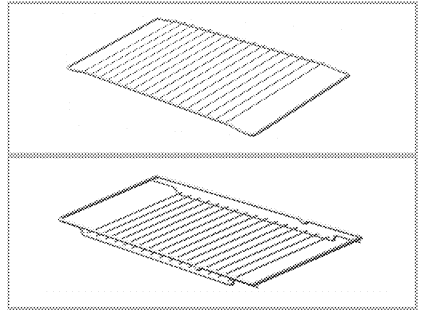
3. **Kuchenblech**

Für Gebäck wie Kekse und Biskuits.



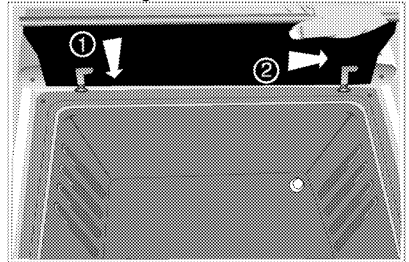
4. **Rost**

Zum Rösten und Grillen und als Unterlage für Behälter, in denen unterschiedlichste Lebensmittel gegart werden können.



5. **Bedienelementeschutz**

Zum Grillen mit geöffneter Backofentür. Schützt Bedienfeld und andere Bedienelemente vor Hitze und Verschmutzung.



6. **Kaffeekannenadapter**



Für Kaffeekannen.

Technische Daten

ALLGEMEIN	
Außenabmessungen (Höhe/Breite/Tiefe)	850 mm/600 mm/600 mm
Spannung/Frequenz	220- 240 V ~ 50 Hz
Kabeltyp/Kabelquerschnitt	H05VV-FG 3 x 0,75 mm ²
Kabellänge	max. 2 m
Gasproduktkategorie	BE II 2E+3+ / NL II 2L3B/P
Gastyp/Gasdruck	NG G 20/20 mbar
Gasverbrauch gesamt	10,4kW
Umstellung auf Gastyp/Gasdruck [§]	NG G 25/25 mbar
- alternativ	LPG G 30/28-30 mbar - Propan 31/37 mbar
KOCHFELD	
Kochzonen	
Hinten links	Normalbrenner
Leistung	2000 W
Vorne links	Schnellbrenner
Leistung	2900 W
Vorne rechts	Nebenbrenner
Leistung	1000 W
Hinten rechts	Normalbrenner
Leistung	2000 W
BACKOFEN/GRILL	
Hauptofen	Gasofen
Garraumieuchte	15–25 W
Leistungsaufnahme Grill	2,5 kW
Gasverbrauch Backofen	2,5 kW



Im Zuge der Qualitätsverbesserung können sich technische Daten ohne Vorankündigung ändern.



Die Abbildungen in dieser Anleitung dienen lediglich der Veranschaulichung und können etwas vom tatsächlichen Aussehen des Gerätes abweichen.



Angaben am Produkt oder in der begleitenden Dokumentation wurden unter Laborbedingungen unter Berücksichtigung der zutreffenden Richtlinien ermittelt. Solche Werte können je nach Einsatzumgebung und Nutzungsweise des Gerätes abweichen.

Injektortabelle

Position, Kochfeldzone	2000 W Hinten links	2900 W Vorne links	1000 W Vorne rechts	2000 W Hinten rechts
Gastyp/Gasdruck				
G 20/20 mbar	103	115	72	103
G 30/28-30 mbar	72	87	50	72
G 25/25 mbar	103	115	72	103
G 31/ 37 mbar	72	87	50	72
Gastyp/Gasdruck	Gasofen		GRILL	
G 20/20 mbar	115		115	
G 30/28-30 mbar	73		73	
G 25/25 mbar	115		115	
G 31/ 37 mbar	73		73	

3 Installation

Das Gerät muss von einer Fachkraft gemäß gültigen Bestimmungen installiert werden. Andernfalls erlischt die Garantie. Der Hersteller haftet nicht für Schäden, die durch Aktivitäten nicht autorisierter Dritter entstehen; zudem kann dadurch die Garantie erlöschen.



Die Vorbereitung des Aufstellungsortes und der elektrischen und Gasanschlüsse ist Sache des Kunden.



GEFAHR:

Die Installation des Gerätes muss in Übereinstimmung mit sämtlichen zutreffenden Vorschriften zur Gas- und/oder Elektroinstallation erfolgen.



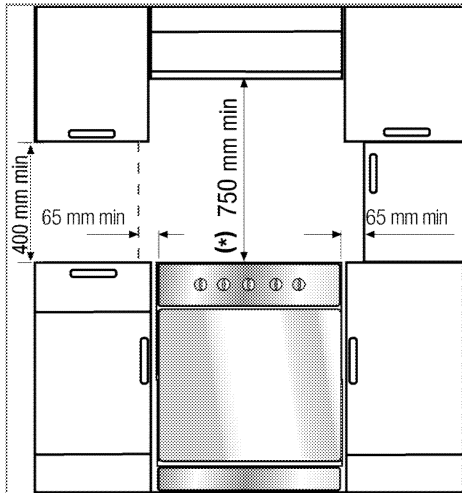
GEFAHR:

Schauen Sie sich das Gerät vor der Installation gut an, überzeugen Sie sich davon, dass es keine sichtbaren Defekte aufweist. Falls doch, darf es nicht installiert werden. Beschädigte Geräte müssen grundsätzlich als Sicherheitsrisiko betrachtet werden.

Vor der Installation

Um sicherzustellen, dass unter dem Produkt genügend Abstand zur Oberfläche ist, empfehlen wir, dass das Produkt auf einer soliden Basis montiert wird und dass die Füße nicht auf einen Teppich oder eine andere weiche Oberfläche gestellt werden.

Der Küchenboden muss das Gerätegewicht sowie zusätzlich das Gewicht von Koch- bzw. Backgeschirr und von Speisen mühelos tragen können.



- Der Ofen kann mit Schränken an beiden Seiten benutzt werden. Ein Abstand von mindestens 400 mm über der Herdplatte und ein Abstand von 65 mm zwischen Gerät und Wand oder Hochschrank muss eingehalten werden.
- Der Ofen kann auch freistehend benutzt werden. Achten Sie auf einen minimalen Abstand von 750 mm oberhalb des Kochfeldes.
- (*) Wenn eine Dunstabzugshaube über dem Herd installiert werden soll, beachten Sie die Anweisungen des Herstellers zur Installationshöhe (mindestens 650 mm Abstand).
- Das Gerät entspricht der Geräteklasse 1, d. h. es kann mit der Rückwand und **einer** Seitenwand an Küchenwände, Küchenmöbel oder Geräte beliebiger Höhe gestellt werden. An der anderen Seitenwand dürfen nur **Küchenmöbel** oder Geräte mit gleicher oder geringerer Höhe stehen.
- Angrenzende Küchenmöbel müssen hitzebeständig sein (bis mindestens 100 °C).

Raumbelüftung

Alle Räume müssen ein Fenster oder Ähnliches haben, das geöffnet werden kann. Einige Räume benötigen eine permanente Entlüftung.

Die Verbrennungsluft wird aus der Raumluft bezogen, und die Abgase werden direkt in den Raum abgegeben.

Für den sicheren Betrieb Ihres Gerätes ist eine gute Raumbelüftung notwendig. Ist für die Raumbelüftung kein Fenster oder eine Tür vorhanden, muss eine zusätzliche Belüftung installiert werden.

Das Gerät kann in einer Küche, einer amerikanischen Küche, oder in einem Wohn- bzw. Schlafzimmer aufgestellt werden, jedoch nicht in Räumen mit einem Bad oder einer Dusche. Das Gerät darf nicht in einem Wohn- bzw. Schlafzimmer aufgestellt werden, das kleiner als 20 m³ ist.³

Installieren Sie dieses Gerät nicht in einem Raum unter der Erdoberfläche, es sei denn der Raum ist an mindestens einer Seite zur Erdoberfläche geöffnet.

Raumgröße	Belüftungsöffnung
kleiner als 5 m ³	min. 100 cm ²
5 m ³ bis 10 m ³	min. 50 cm ²
größer als 10 m ³ den	keine erforderlich
Im Keller oder Untergeschoss	min. 65 cm ²

Einbauen und Anschließen

Das Gerät darf nur nach den gesetzlichen Installationsvorschriften angeschlossen und installiert werden.



Stellen Sie das Gerät nicht neben Kühl- oder Gefriergeräten auf. Die Wärmeabgabe des Gerätes führt zu steigendem Energieverbrauch der Kühlgeräte.

- Tragen Sie das Gerät grundsätzlich mit mindestens zwei Personen.
- Das Gerät muss direkt auf dem Fußboden stehen. Es darf nicht auf einen Sockel oder eine andere Erhöhung gestellt werden.



Missbrauchen Sie die Tür/den Türgriff nicht zum Anheben oder Bewegen des Gerätes. Tür, Griff und Scharniere können beschädigt werden.

Elektrischer Anschluss

Schließen Sie das Gerät an eine geerdete Schutzkontaktsteckdose/Leitung an, die mit einer Sicherung passender Kapazität abgesichert wird siehe dazu den Abschnitt "Technische Daten". Lassen Sie die Erdung in jedem Fall von einem qualifizierten Elektriker vornehmen oder überprüfen. Der Hersteller haftet nicht bei Schäden, die durch den Einsatz des Gerätes ohne vor-schriftsmäßige Erdung entstehen.



GEFAHR:

Das Gerät darf nur von einer autorisierten Fachkraft an das Stromnetz angeschlossen werden. Die Garantiezeit beginnt erst mit der fachgerechten Installation.

Der Hersteller haftet nicht für Schäden, die durch Aktivitäten nicht autorisierter Dritter entstehen.



GEFAHR:

Das Netzkabel darf nicht eingeklemmt, geknickt oder gequetscht werden und darf nicht mit heißen Geräteteilen in Berührung kommen.

Beschädigte Netzkabel müssen durch einen zugelassenen Elektriker ausgetauscht werden. An-dernfalls kann es zu Stromschlägen, Kurzschlüssen und Bränden kommen!

Die Netzanschlusssdaten müssen mit den Daten auf dem Typenschild des Gerätes übereinstimmen. An das Typenschild gelangen Sie nach Öffnen der Tür oder der unteren Abdeckung; je nach Modell kann es sich auch an der Rückwand des Gerätes befinden. Verwenden Sie nur Netzkabel, die den Angaben im Abschnitt „Technische Daten“ entsprechen.



Der Netzstecker muss nach der Installation frei zugänglich bleiben, das Netzkabel darf jedoch nicht über den Herd hinweg verlegt werden.

**GEFAHR:**

Trennen Sie das Gerät vollständig von der Stromversorgung, bevor Sie an der Elektroinstallation arbeiten.
Es besteht Stromschlaggefahr!

Stecken Sie den Netzstecker in die Steckdose.

Gasanschluss**GEFAHR:**

Das Gerät darf nur durch eine autorisierte und qualifizierte Fachkraft mit der Gasversorgung verbunden werden.

Explosions- und Vergiftungsgefahr durch nicht sachgerechte Reparaturen!
Der Hersteller haftet nicht für Schäden, die durch Aktivitäten nicht autorisierter Dritter entstehen.

**GEFAHR:**

Vor Arbeiten an der Gasinstallation die Gaszufuhr schließen.
Es besteht Explosionsgefahr!

- Bedingungen und Werte zur Gaseinstellung finden Sie auf den Etiketten (oder auf dem Typenschild).
- Beachten Sie die detaillierten Informationen zu Gasanschluss und Umstellung in der beim Produkt mitgelieferten Bedienungsanleitung.

**GEFAHR:**

Die Gasleitung darf nicht eingeklemmt, geknickt oder gequetscht werden und darf nicht mit heißen Geräteteilen in Berührung kommen.
Bei beschädigten Gasschläuchen besteht Explosionsgefahr.

- Schieben Sie das Produkt an die Küchenwand.
- **Füße des Ofens anpassen**
Vibrationen während des Betriebs können das Kochgeschirr in Bewegung versetzen. Diese Gefahrensituation kann vermieden werden, wenn das Produkt ebenerdig steht.

Achten Sie zu Ihrer eigenen Sicherheit darauf, dass das Produkt gerade steht, indem Sie die vier Füße an der Unterseite nach links oder rechts drehen und dadurch die Ebenerdigkeit der Arbeitsoberfläche anpassen.

Endkontrolle

1. Öffnen Sie die Gaszufuhr.
2. Überprüfen Sie die Gasinstallationen auf korrekten Sitz und Dichtigkeit.
3. Entzünden Sie die Kochstellen und kontrollieren das Flammenbild.



Die Flamme muss blau und in regelmäßiger Form brennen. Falls sich die Flamme gelblich färbt, vergewissern Sie sich, dass die Brennerkappe richtig sitzt oder reinigen den Brenner.

Transport

- Bewahren Sie den Originalkarton auf, falls Sie das Gerät künftig transportieren müssen. Halten Sie sich an die Hinweise auf dem Karton. Falls Sie den Originalkarton nicht mehr besitzen sollten, verpacken Sie das Gerät in Luftpolsterfolie oder starken Karton, anschließend gut mit Klebeband sichern.
- Damit Roste und Bleche nicht zu Beschädigungen der Ofentür führen, schützen Sie die Ofentür von innen mit einem passenden Stück Karton. Fixieren Sie die Ofentür mit Klebeband.
- Sichern Sie Einschübe, Geschirr und Auflagen mit Klebeband.
- Missbrauchen Sie die Tür/den Türgriff nicht zum Anheben oder Bewegen des Gerätes.



Legen Sie keine Gegenstände auf dem Gerät ab, bewegen Sie das Gerät grundsätzlich in aufrechter Position.



Schauen Sie sich das Gerät nach dem Transport gut an, überzeugen Sie sich davon, dass es nicht zu Beschädigungen gekommen ist.

4 Vorbereitungen

Tipps zum Energiesparen

Mit den folgenden Hinweisen nutzen Sie Ihr Gerät umweltbewusst und energiesparend:

- Verwenden Sie am besten dunkles oder emailliertes Kochgeschirr – dies leitet die Wärme besser.
- Lassen Sie den Ofen vorheizen, wenn dies durch Bedienungs- oder Zubereitungsanleitung empfohlen wird.
- Verzichten Sie bei der Zubereitung auf häufiges Öffnen der Ofentür.
- Versuchen Sie mehrere Gerichte gleichzeitig zuzubereiten, sofern dies möglich ist. Dazu stellen Sie einfach mehrere Behälter auf den Rost.
- Größere Gerichte und solche, deren Geschmack sich nicht gegenseitig beeinflussen soll, bereiten Sie nacheinander zu. Der Ofen ist dann bereits vorgeheizt.
- Tauen Sie gefrorene Gerichte vor der Zubereitung auf.
- Kochen Sie mit Deckel. Beim Kochen ohne Deckel kann der Energieverbrauch auf das Vierfache ansteigen.
- Wählen Sie stets die zum Bodendurchmesser des Kochgeschirrs passende Kochstelle. Entscheiden Sie sich immer für Kochgeschirr in der passenden Größe. Größeres Kochgeschirr verbraucht mehr Energie.

Erste Inbetriebnahme

Erstreinigung des Gerätes



Durch bestimmte Reiniger und Hilfsmittel können die Oberflächen des Gerätes beschädigt werden.

Verwenden Sie keine aggressiven Reinigungsmittel, keine Scheuermittel und keine scharfen oder spitzen Gegenstände bei der Reinigung.

1. Entfernen Sie sämtliches Verpackungsmaterial.
2. Geräteoberflächen mit einem feuchten Tuch oder Schwamm abwischen und mit einem Tuch trocknen.

Erstaufheizung

Lassen Sie das Gerät etwa 30 Minuten lang aufheizen, schalten Sie es anschließend ab. Auf diese Weise werden sämtliche Rückstände und Beschichtungen durch Abbrennen entfernt.



WARNUNG

Verbrennungsgefahr durch heiße Flächen!

Das Gerät kann sich im Betrieb stark aufheizen. Berührung Sie niemals heiße Brenner, das Innere des Ofens, Heizelemente und so weiter. Halten Sie Kinder fern.

Tragen Sie grundsätzlich hitzebeständige Schutzhandschuhe, wenn Sie etwas in den Ofen stellen oder herausnehmen.

Gasofen

1. Nehmen Sie sämtliches Zubehör (z. B. Backbleche und Rost) aus dem Ofen heraus.
2. Schließen Sie die Ofentür.
3. Gasbackofen auf die größte Flamme einstellen; siehe *Gasbackofen bedienen, Seite 18*.
4. Lassen Sie den Ofen etwa 30 Minuten lang arbeiten.
5. Schalten Sie den Ofen ab; siehe *Gasbackofen bedienen, Seite 18*

Grill

1. Nehmen Sie sämtliches Zubehör (z. B. Backbleche und Rost) aus dem Ofen heraus.
2. Schließen Sie die Ofentür.
3. Grillofen auf die größte Flamme einstellen; siehe *Gasgrill bedienen, Seite 20*.
4. Lassen Sie den Grill etwa 30 Minuten lang arbeiten.
5. Schalten Sie den Grill ab; siehe *Gasgrill bedienen, Seite 20*



Bei der ersten Inbetriebnahme kann es über mehrere Stunden zu Rauch- und Geruchsentwicklung kommen. Dies ist völlig normal. Lüften Sie den Raum gut durch, damit Rauch und Gerüche schnell abziehen können. Atmen Sie die Dämpfe möglichst nicht ein.

5 Bedienung Kochfeld

Allgemeine Hinweise zum Kochen



Füllen Sie Kochgeschirr maximal bis zu einem Drittel mit Öl. Lassen Sie das Kochfeld niemals unbeaufsichtigt, wenn Sie mit heißem Öl arbeiten. Überhitzte Öle und Fette können Brände verursachen. **Versuchen Sie niemals, vorher mit Wasser zu löschen!** Falls Öle oder Fette Feuer fangen, ersticken Sie die Flammen mit einer Löschdecke, notfalls mit einem leicht feuchten Tuch. Trennen Sie den Herd von der Stromversorgung, falls dies gefahrlos möglich ist, rufen Sie die Feuerwehr.

- Vor dem Frittieren trocknen Sie die Lebensmittel gründlich und lassen sie langsam in das heiße Öl hinab. Achten Sie darauf, dass gefrorene Lebensmittel vor dem Frittieren restlos aufgetaut sind.
- Decken Sie das Kochgeschirr beim Frittieren nicht ab.
- Platzieren Sie das Kochgeschirr so auf dem Kochfeld, dass dessen Griffe oder Stiele nicht von anderen Kochstellen erhitzt werden. Stellen Sie keine Behälter auf das Kochfeld, die zum Kippen neigen.
- Stellen Sie kein leeres Kochgeschirr auf eingeschaltete Kochzonen. Es kann zu Beschädigungen kommen.
- Wenn Sie eine Kochzone verwenden, ohne Kochgeschirr darauf zu platzieren, verursacht dies Schäden am Gerät. Schalten Sie die Kochzonen nach dem Gebrauch aus.
- Da sich die Oberfläche des Gerätes erhitzt, legen Sie niemals Gegenstände aus Kunststoff oder Aluminium darauf ab. Übrigens sollten Lebensmittel grundsätzlich nicht in solchen Gefäßen gelagert werden.
- Verwenden Sie ausschließlich Kochgeschirr mit flachem Boden.
- Geben Sie die richtige Menge an Lebensmitteln in das jeweilige Kochgeschirr;

nicht überfüllen. Dadurch ersparen Sie sich unnötige Reinigungsarbeit durch überlaufende Speisen.

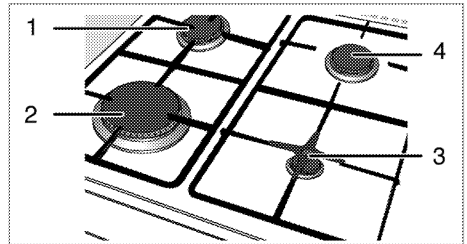
Legen Sie die Deckel des Kochgeschirrs nicht auf den Kochzonen ab.

Stellen Sie Kochgeschirr so auf das Kochfeld, dass es exakt in der Mitte der Kochzone steht. Wenn Sie Kochgeschirr von einer Kochzone zur nächsten bewegen möchten, heben Sie das Kochgeschirr an, anstatt es über das Kochfeld zu schieben.

Mit Gas kochen

- Die Größe von Kochgeschirr und Flamme müssen übereinstimmen. Stellen Sie die Gasflammen so ein, dass sie nicht über den Boden des Kochgeschirrs hinausschlagen; stellen Sie das Kochgeschirr mittig auf den Träger.

Kochfeld verwenden



- 1 Normalbrenner 18-20 cm
- 2 Schnellbrenner 22-24 cm
- 3 Nebenbrenner 12-18 cm
- 4 Normalbrenner 18-20 cm ist eine Liste mit für die jeweiligen Brenner empfohlenen Geschirrdurchmessern.

Das große Flammensymbol zeigt die höchste, das kleine Flammensymbol zeigt die geringste Leistungsstufe an. In der Aus-Position (oben) werden die Brenner nicht mit Gas versorgt.

Gasbrenner zünden



Die Gasbrenner werden mit Zündtasten entzündet.

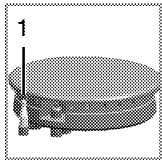
1. Halten Sie den Knopf des Brenners gedrückt.

2. Drehen Sie ihn gegen den Uhrzeigersinn auf das große Flammensymbol.
3. Drücken Sie kurz die Zündtaste. Wiederholen Sie diesen Schritt bei Bedarf, bis sich das freigesetzte Gas entzündet.
4. Passen Sie die Leistungsstufe wie gewünscht an.

Gasbrenner abschalten

Drehen Sie den Regler der Warmhaltezone in die Aus-Position (oben).

Sicherheitssystem zur Gasabschaltung (bei Modellen mit Thermokomponente)



1. Sichere Gasabschaltung

Falls Flüssigkeiten überkochen und die Gasflamme zum Erlöschen bringen, greift ein Sicherheitsmechanismus ein und sperrt die Gaszufuhr.

- Drücken Sie den Regler hinein; drehen Sie ihn zum Zünden gegen den Uhrzeigersinn.
- Halten Sie den Regler nach dem Entzünden des Gases noch weitere 3 – 5 Sekunden lang gedrückt; andernfalls schaltet sich der Brenner aus Sicherheitsgründen wieder ab.
- Falls sich das Gas nach Betätigung des Reglers nicht entzündet, wiederholen Sie das Verfahren, indem Sie den Regler weitere 15 Sekunden lang gedrückt halten.



GEFAHR:

Lassen Sie die Taste los, falls der Brenner nicht innerhalb 15 Sekunden zündet.

Warten Sie mindestens eine Minute ab, bevor Sie es erneut versuchen. Es besteht Explosionsgefahr durch Gasansammlungen!

6 Bedienung Backofen

Allgemeine Hinweise zum Backen, Braten und Grillen



WARNUNG

Verbrennungsgefahr durch heiße Flächen!

Das Gerät kann sich im Betrieb stark aufheizen. Berührung Sie niemals heiße Brenner, das Innere des Ofens, Heizelemente und so weiter. Halten Sie Kinder fern.

Tragen Sie grundsätzlich hitzebeständige Schutzhandschuhe, wenn Sie etwas in den Ofen stellen oder herausnehmen.



GEFAHR:

Öffnen Sie die Ofentür vorsichtig:

Heißer Dampf kann austreten.

Der austretende Dampf kann zu Verbrühungen von Händen, Gesicht und Augen führen.

Tipps zum Backen

- Benutzen Sie Metallgeschirr mit Antihafbeschichtung oder hitzebeständige Silikonformen.
- Nutzen Sie den Platz auf dem Rost gut aus.
- Stellen Sie Backformen in die Mitte des Rostes.
- Wählen Sie die richtige Einschubposition, bevor Sie Ofen oder Grill einschalten. Wechseln Sie die Einschubposition nicht, solange der Ofen heiß ist.
- Halten Sie die Ofentür geschlossen.

Tipps zum Rösten

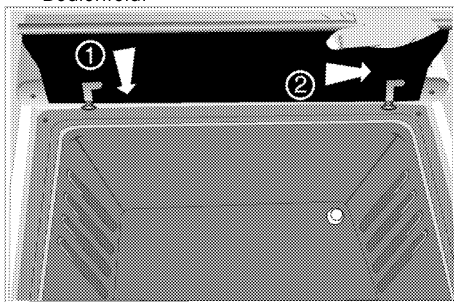
- Eine Würzmischung aus Zitronensaft und schwarzem Pfeffer sorgt für eine besonders schmackhafte Zubereitung von ganzen Hühnern, Puten und größeren Fleischportionen.
- Fleisch mit Knochen braucht etwa 15 – 30 Minuten länger zum Garen als dieselbe Menge Fleisches ohne Knochen.
- Jeder Zentimeter an Fleischdicke braucht etwa 4 – 5 Minuten mehr an Garzeit.

- Lassen Sie Fleisch nach Ablauf der Garzeit noch etwa 10 Minuten im Backofen ruhen. Der Fleischsaft verteilt sich so gleichmäßiger im Braten und läuft beim Anschneiden nicht aus.
- Fisch stellen Sie auf einem hitzebeständigem Teller möglichst in der mittleren oder unteren Einschubposition in den Backofen.

Installieren Sie die Knopfschutzplatte.

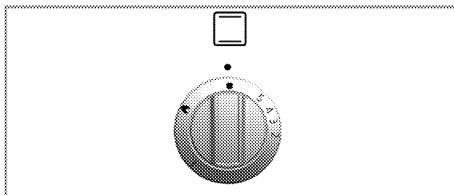
Die Knopfschutzplatte wird zum Grillen mit geöffneter Backofentür verwendet. Schützt Bedienfeld und andere Bedienelemente vor Hitze und Verschmutzung.

1. Öffnen Sie die Backofentür und stecken die Knopfschutzplatte auf die Stifte unter dem Bedienfeld.



» Wenn die Knopfschutzplatte installiert ist, bleibt die Ofentür geöffnet.

Gasbackofen bedienen




Der Gasbackofen wird mit dem Gasbackofen-Regler bedient. In der Aus-Position (oben) ist die Gaszufuhr unterbrochen.

Gasbackofen einschalten

Der Gasbackofen wird mit der Zündtaste entzündet.

1. Ofentür öffnen.

2. Gasbackofen-Regler gedrückt halten und **gegen** den Uhrzeigersinn drehen.
 3. Drücken Sie die Zündtaste und lassen sie wieder los.
 4. Halten Sie den Gasbackofen-Regler weitere 3 bis 5 Sekunden gedrückt.
- » Wiederholen Sie den Vorgang, bis das ausströmende Gas entzündet ist.
5. Halten Sie den Gasbackofen-Regler weitere 3 bis 5 Sekunden gedrückt. Achten Sie darauf, dass das Gas entzündet und eine Flamme zu sehen ist.
 6. Wählen Sie die gewünschte Backleistung / Gasmarkierung.
 7. Wenn keine Strom für die Zündung vorhanden ist, zünden Sie das Gas mit Gasanzünder durch die Zündkontrollöffnung.




GEFAHR:
Es besteht Explosionsgefahr durch konzentriertes Gas!
Versuchen Sie nicht, das Gas länger als 15 Sekunden zu zünden. Falls der Brenner nicht innerhalb 15 Sekunden zünden sollte, stellen Sie den Knopf ab und warten mindestens eine Minute. Durchlüften Sie den Raum, bevor Sie den Brenner erneut zünden. Es besteht Explosionsgefahr durch konzentriertes Gas!

Gasbackofen ausschalten


1. Drehen Sie den Gasbackofen-Regler in die Aus-Position (oben).
- Die Gaskochstufen bedeuten:

Gasstufe	1	2	3	4	5
Temperatur (°C)	170	180	200	230	280

Garzeitentabelle



Der erste Einschub ist der **untere** Einschub.



Mximale Tragkraft des Backbleches: 4 kg (8.8 lb).



Die Zeitangaben in dieser Tabelle sollen als Richtwerte dienen. Zeitangaben können aufgrund von Temperatur, Dicke, Typ der Lebensmittel und Ihren eigenen Vorlieben abweichen.

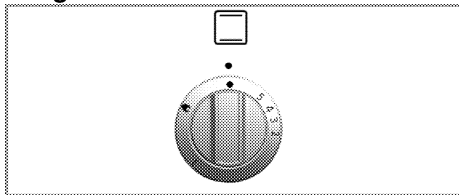
Stellen Sie die Gerichte auf Backpapier, damit überlaufende Flüssigkeiten nicht auf den Boden des Ofens gelangen und der Ofen sauber bleibt.

Backen und Braten

Speise	Vorheizen *	Einschubebene	Reglerstellung	Garzeit
Apfelkuchen	10 Min.	3	1	60...70 Min.
Obsttorte	10 Min.	3	1	60...70 Min.
Kuchen	10 Min.	3	1	60...70 Min.
Kekse	10 Min.	4	1...2	30...40 Min.
Feingebäck	10 Min.	3..4	1..2	40...50 Min.
Kuchen	10 Min.	3	1...2	60...70 Min.
Biskuits	10 Min.	4	1..2	30...40 Min.
Lammbraten	10 Min.	4..5	3	35...45 Min. pro 450 g + 30 Min.
Roastbeef	10 Min.	3..4	3	100...130 Min. pro 450 g + 30 Min.
Pute	10 Min.	3	3	100...130 Min. pro 450 g + 30 Min.
Geflügel	10 Min.	3	1..2	100...130 Min. pro 450 g + 25 Min.
Kasserolle	10 Min.	4	1...2	90...120 Min. ^s
Fisch	10 Min.	3	1..2	45...55 Min.
Maccaroni	10 Min.	4	1..2	50...55 Min.
Kleine Kuchen	10 Min.	3..4	1	40...50 Min.
Victoria-Sandwich-Kuchen	10 Min.	3	1	30...35 Min.

* bei Reglerstellung 5 / ^s je nach Menge / [#] je nach Größe

Gasgrill bedienen



Der Grill wird mit dem Grill-Regler bedient. In der Aus-Position (oben) wird das Gerät nicht mit Gas versorgt.

Die Ofentür muss während des Grillens offen bleiben.



WARNUNG

Verbrennungsgefahr durch heiße Flächen! Halten Sie Kinder vom Gerät fern.

Öffnen Sie die Ofentür nur einen Spalt weit, damit Sie nicht von heißen Spritzern erreicht werden.

Grill einschalten

Der Gasgrill wird mit der Zündtaste entzündet.

1. Öffnen Sie die Ofentür.
2. Drücken Sie kurz die Zündtaste.
- » Den Vorgang wiederholen, bis das Gas entzündet ist.
3. Halten Sie den Knopf weitere 3 bis 5 Sekunden gedrückt.
4. Prüfen Sie, ob der Grill entzündet ist.
5. Bei einem Stromausfall entzünden Sie den Grillbrenner mit einem Gasanzünder oder Streichholz.



GEFAHR:

Es besteht Explosionsgefahr durch konzentriertes Gas!
Versuchen Sie nicht, das Gas länger als 15 Sekunden zu zünden. Falls der Brenner nicht innerhalb 15 Sekunden zünden sollte, stellen Sie den Knopf ab und warten mindestens eine Minute. Durchlüften Sie den Raum, bevor Sie den Brenner erneut zünden. Es besteht Explosionsgefahr durch konzentriertes Gas!

Grill ausschalten

1. Drehen Sie den Grill-Regler in die Aus-Position (oben).



Lebensmittel, die nicht zum Grillen geeignet sind, können sich im schlimmsten Fall entzünden. Grillen Sie nur Lebensmittel, die bei der starken Hitze beim Grillen keinen Schaden nehmen.

Platzieren Sie das Grillgut nicht nahe der Ofenrückwand. Dort wird es besonders heiß, fettes Grillgut kann in Brand geraten.

Gartabelle



Die Zeitangaben in dieser Tabelle sollen als Richtwerte dienen. Zeitangaben können aufgrund von Temperatur, Dicke, Typ der Lebensmittel und Ihren eigenen Vorlieben abweichen.



Der erste Einschub ist der **untere** Einschub.

Grillen mit dem Gasgrill

Speise	Vorbereitung/Einstellung	Grilldauer #
Belegte Toasts überbacken.	3..10 Min.
Kleine Fleischstücke, Würstchen, Schinkenspeck etc.	15..20 Min.
Koteletts, Kassler, Hähnchenteile etc.	Hähnchen mit Grillrost in umgedrehter Stellung grillen	20..25 Min.
Ganze Fische, Fischfilets, Fischstäbchen	Ganze Fische und Fischfilets in die Grillpfanne legen.	10..20 Min.
Panierter Fisch	15..20 Min.
Vorgegarte Kartoffelgerichte	15..20 Min.
Pizza	Pizza in die Grillpfanne legen.	12..15 Min.
Tellergerichte grillen/bräunen	Teller direkt auf den Boden des Grills stellen.	8..10 Min.
* je nach Größe bzw. Dicke		

7 Pflege und Wartung

Allgemeine Hinweise

Durch regelmäßiges Reinigen verlängern Sie die Lebenserwartung Ihres Gerätes und beugen Fehlfunktionen vor.



GEFAHR:

Trennen Sie das Gerät von der Stromversorgung, bevor Sie es reinigen oder pflegen.

Es besteht Stromschlaggefahr!



GEFAHR:

Lassen Sie das Gerät vor dem Reinigen gründlich abkühlen.

Verbrennungsgefahr durch heiße Flächen!

- Reinigen Sie das Gerät nach jedem Einsatz gründlich. Dadurch lassen sich Speisereste leichter entfernen und können sich beim nächsten Einsatz des Ofens nicht einbrennen.
- Zur Reinigung benötigen Sie keine Spezialreiniger. Verwenden Sie am besten warmes Wasser mit etwas herkömmlichem Reiniger, ein weiches Tuch oder einen Schwamm. Anschließend mit einem Tuch trocknen.
- Achten Sie stets darauf, überschüssige und verschüttete Flüssigkeiten nach der Reinigung gründlich ab- bzw. aufzuwischen.
- Verzichten Sie auf Reinigungsmittel, die Säuren oder Chlor enthalten, wenn Sie Edelstahl und Griffe reinigen. Reinigen Sie diese Teile mit einem weichen Tuch und etwas Flüssigreiniger (kein Scheuermittel); wischen Sie dabei am besten nur in eine Richtung.



Durch bestimmte Reiniger und Hilfsmittel können die Oberflächen des Gerätes beschädigt werden.

Verwenden Sie keine aggressiven Reinigungsmittel, keine Scheuermittel und keine scharfen oder spitzen Gegenstände bei der Reinigung.



Nutzen Sie keine Dampfreiniger zur Reinigung des Gerätes – es besteht Stromschlaggefahr.

Kochfeld reinigen

Gaskochstellen

1. Entfernen und reinigen Sie die Träger und Brennerdeckel.
2. Kochfeldmulde reinigen.
3. Bringen Sie die Brennerdeckel an; achten Sie darauf, dass sie fest sitzen.
4. Achten Sie bei der Anbringung der oberen Roste darauf, die Träger so zu platzieren, dass sich die Brenner exakt in der Mitte befinden.

Bedienfeld reinigen

Reinigen Sie Bedienfeld und Knöpfe mit einem feuchten Tuch; anschließend trocken reiben.



Ziehen Sie die Knöpfe zum Reinigen des Bedienfelds nicht ab. Das Bedienfeld kann beschädigt werden!

Backofen reinigen

Ofentür reinigen

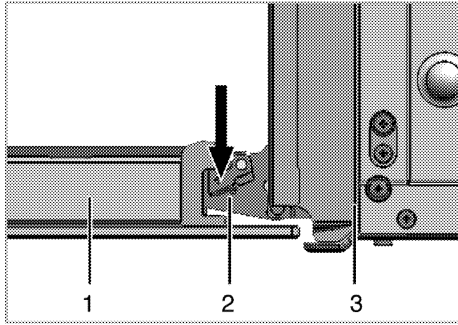
Verwenden Sie zum Reinigen der Ofentür am besten warmes Wasser mit etwas herkömmlichem Reiniger, ein weiches Tuch oder einen Schwamm. Anschließend mit einem Tuch trocknen.



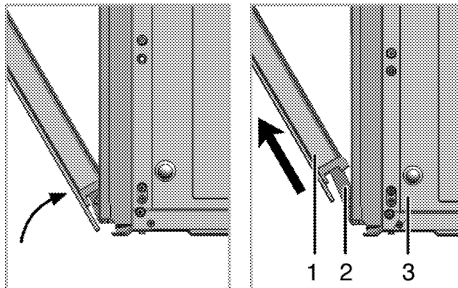
Verzichten Sie bei der Reinigung der Ofentür auf aggressive Reinigungsmittel und auf scharfkantige Schaber aus Metall. Solche Hilfsmittel können die Oberflächen zerkratzen und das Glas beschädigen.

Ofentür ausbauen

1. Öffnen Sie die Ofentür (1).
2. Öffnen Sie die Clips am Scharniergehäuse links und rechts der Ofentür, indem Sie sie wie in der Abbildung gezeigt nach unten drücken.



- 1 Ofentür
- 2 Scharnier
- 3 Ofen



3. Öffnen Sie die Ofentür zur Hälfte.
4. Nehmen Sie die Ofentür heraus, indem Sie sie etwas anheben und von den Scharnieren rechts und links lösen.



Zum Einbau führen Sie die obigen Schritte wieder in umgekehrter Reihenfolge aus. Vergessen Sie nicht, die Clips am Scharniergehäuse nach dem Wiedereinsetzen der Tür wieder zu schließen.

Ofenbeleuchtung auswechseln



GEFAHR:

Bevor Sie die Ofenbeleuchtung auswechseln, sorgen Sie dafür, dass das Gerät vollständig von der Stromversorgung getrennt und komplett abgekühlt ist; ansonsten droht Verbrennungs- und Stromschlaggefahr. Verbrennungsgefahr durch heiße Flächen!



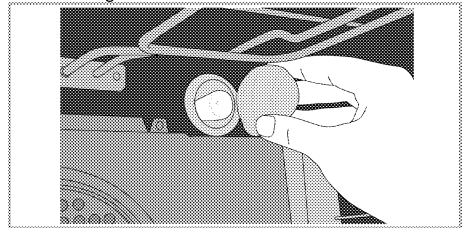
Als Leuchtmittel wird eine spezielle Glühlampe eingesetzt, die für Temperaturen bis 300 °C ausgelegt ist. Weitere Hinweise finden Sie in *Technische Daten, Seite 11*. Passende Leuchtmittel erhalten Sie beim autorisierten Kundendienst.



Die Position der Leuchte kann etwas von der Abbildung abweichen.

Wenn Ihr Ofen mit einer runden Leuchte ausgestattet ist:

1. Trennen Sie das Gerät vollständig von der Stromversorgung.
2. Schrauben Sie die Glasabdeckung gegen den Uhrzeigersinn ab.



3. Drehen Sie die Ofenlampe gegen den Uhrzeigersinn heraus, setzen Sie eine neue Lampe ein.
4. Glasabdeckung wieder anbringen.

8 Problemlösung

Aus dem Ofen tritt im Betrieb Dampf aus.

- Während des Betriebs ist ein Dampfaustritt normal. >>> *Dies ist kein Fehler.*

Beim Aufheizen und Abkühlen sind metallische Geräusche zu hören.

- Wenn sich die Temperatur von Metallteilen ändert, dehnen sich diese aus oder ziehen sich zusammen – dabei entstehen Geräusche. >>> *Dies ist kein Fehler.*

Es entsteht kein Zündfunke.

- Kein Strom. >>> *Sicherungen im Sicherungskasten kontrollieren.*

Es gibt kein Gas.

- Der Hauptgashahn ist geschlossen. >>> *Öffnen Sie den Gashahn.*
- Der Gasanschluss ist verbogen. >>> *Installieren Sie den Gasanschluss richtig.*

Die Brenner brennen nicht bzw. nicht richtig.

- Brenner sind verschmutzt. >>> *Reinigen Sie die Brennerkomponenten.*
- Die Brenner sind feucht. >>> *Trocknen Sie die Brennerkomponenten.*
- Die Brennerkappe ist nicht sicher angebracht. >>> *Bringen Sie die Brennerkappe richtig an.*
- Der Gashahn ist geschlossen. >>> *Öffnen Sie den Gashahn.*
- Die Gasflasche ist leer (beim Einsatz von Butangas). >>> *Tauschen Sie die Gasflasche aus.*



Falls sich ein Problem nicht mit den obigen Hinweisen lösen lassen sollte, wenden Sie sich bitte an den autorisierten Kundendienst oder an den Händler, bei dem Sie das Gerät gekauft haben. Versuchen Sie niemals, ein defektes Gerät selbst zu reparieren.

Gelieve eerst deze gebruikershandleiding te lezen!

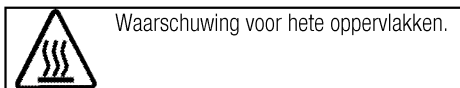
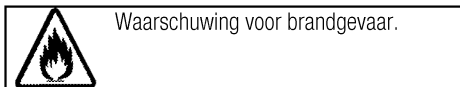
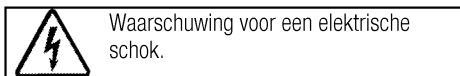
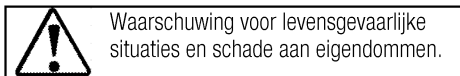
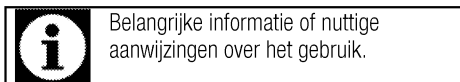
Beste klant,

Dank u voor het aankopen van een Beko-product. We hopen dat u de beste resultaten verkrijgt uit uw product, dat vervaardigd is met de allernieuwste technologie van hoge kwaliteit. Lees daarom deze volledige gebruikershandleiding en alle andere bijgevoegde documenten zorgvuldig door voordat u het product in gebruik neemt en houd deze ter referentie voor toekomstig gebruik. Als u het product aan iemand anders overdraagt, voeg daar dan de gebruikershandleiding ook bij. Volg alle waarschuwingen en informatie in deze gebruikershandleiding op.

Vergeet niet dat deze gebruikershandleiding ook van toepassing kan zijn op verschillende andere modellen. De verschillen tussen de modellen zijn duidelijk aangegeven in de handleiding.

Verklaring van symbolen

In deze gebruikershandleiding worden de volgende symbolen gebruikt:



Arçelik A.Ş.
Karaağaç caddesi No:2-6
34445 Sütlüce/Istanbul/TURKEY
Made in TURKEY

**1 Belangrijke instructies en
waarschuwingen voor veiligheid en
milieu 4**

Algemene veiligheid 4
 Veiligheid bij het werken met gas 4
 Productveiligheid 5
 Bedoeld gebruik 7
 Kindveiligheid 7
 Het oude product afvoeren 8
 Verpakkingsmateriaal afvoeren 8

2 Algemene informatie 9

Overzicht 9
 Inhoud pakket 10
 Technische specificaties 11
 Injectortafel 11

3 Installatie 12

Voor installatie 12
 Installatie en verbinding 13
 Toekomstig transport 14

4 Voorbereidingen 15

Tips om energie te besparen 15
 Het eerste gebruik 15

Eerste reiniging van het toestel 15
 Eerste opwarming 15

5 De kookplaat gebruiken 16

Algemene informatie over koken 16
 Gebruik van de kookplaten 16

6 Hoe de oven te bedienen 18

Algemene informatie over bakken, roosteren en
grillen 18
 De gasoven gebruiken 18
 Tabel kooktijden 19
 Hoe de gasgrill te gebruiken 20
 Tabel kooktijden 20

7 Onderhoud en verzorging 21

Algemene informatie 21
 Reiniging van de kookplaat 21
 Het bedieningspaneel reinigen 21
 De oven reinigen 21
 De oven deur verwijderen 22
 De ovenlamp vervangen 22

8 Problemen oplossen 23

1 Belangrijke instructies en waarschuwingen voor veiligheid en milieu

Dit gedeelte bevat veiligheidsvoorschriften die helpen persoonlijk letsel of schade aan eigendommen te voorkomen. Het niet opvolgen van deze instructies laat alle garantie vervallen.

Algemene veiligheid

- Dit apparaat kan worden gebruikt door kinderen vanaf 8 jaar en personen met verzwakte fysieke, zintuiglijke of mentale toestand, of met een gebrek aan ervaring en kennis, als deze onder toezicht staan of instructies zijn gegeven betreffende het veilige gebruik van het apparaat en op de hoogte zijn van de betrokken gevaren. Laat kinderen niet met het apparaat spelen. Reiniging en gebruikersonderhoud dienen niet zonder toezicht door kinderen uitgevoerd te worden.
- Plaats het product nooit op een vloer met vloerbedekking. Anders kan gebrek aan luchtstroom onder het product oververhitting van elektrische onderdelen veroorzaken. Dit geeft problemen met uw product.
- Installatie- en reparatiewerk moet altijd uitgevoerd worden door bevoegde serviceagenten. De fabrikant is niet aansprakelijk voor

schade die voortvloeit uit werkzaamheden door onbevoegde personen. Dit kan de garantie ongeldig maken. Lees alvorens de installatie de instructie zorgvuldig door.

- Gebruik het apparaat niet als het defect is of zichtbare schade vertoont.
- Controleer of de functieknoppen van het product na ieder gebruik zijn uitgeschakeld.

Veiligheid bij het werken met gas

- Werk aan gasapparatuur of gassystemen mag uitsluitend worden uitgevoerd door bevoegde gekwalificeerde personen.
- Voor installatie dient u te controleren of de omstandigheden van de plaatselijke distributie (gastype en gasdruk) en de afstelling van het toestel compatibel zijn.
- Dit toestel is niet verbinden aan een evacuatietoestel voor verbrandingsproducten. Het moet in overeenstemming met de huidige installatievoorschriften worden geïnstalleerd en aangesloten. Er moet in het bijzonder worden gelet op de vereisten betreffende ventilatie; Zie *Voor installatie, pagina 12*

- Een kookgastoestel produceert hitte, vocht en verbrandingsproducten in de kamer waar dit apparaat wordt gebruikt. Zorg ervoor dat de keuken goed geventileerd is vooral bij gebruik van het toestel: zorg voor een natuurlijke ventilatie en laat de ventilatieopening open. Plaats eventueel een extra ventilatietoestel (dampkap). Bij langdurig intensief gebruik van het apparaat kan aanvullende ventilatie nodig zijn, bijvoorbeeld het vergroten van de mechanische ventilatie waar deze aanwezig is.
- Gastoestellen en -systemen moeten regelmatig worden gecontroleerd op correct functioneren. Regelaar, slang en zijn klem dienen regelmatig gecontroleerd te worden en door de fabrikant binnen aanbevolen termijn of indien nodig vervangen te worden.
- Reinig de gasbranders regelmatig. De vlammen horen blauw te zijn en gelijkmatig te branden.
- Goede verbranding is vereist bij gastoestellen. In geval van onvolledige verbranding kan zich koolmonoxide (CO) ontwikkelen. Koolmonoxide is een kleurloos, geurloos en zeer giftig gas, dat

een dodelijk effect heeft in zelfs zeer kleine hoeveelheden.

- Vraag bij uw lokale gasleverancier informatie over telefoonnummers bij een gasnoodgeval en veiligheidsvoorschriften in geval van gasgeur.

Wat u moet doen wanneer u gas ruikt

- Gebruik geen open vuur en rook niet. Gebruik geen elektrische knoppen (bijv. lamschakelaar, deurbel en enz.) Gebruik geen vaste of mobiele telefoons. Explosie- en vergiftigingsgevaar!
- Open deuren en ramen.
- Sluit alle kleppen op gastoestellen en gasmeters.
- Controleer alle buizen en verbindingen op dichtheid. Indien u nog steeds gas ruikt, verlaat dan het appartement.
- Waarschuw de bureu.
- Bel de brandweer. Gebruik een telefoon buitenshuis.
- Ga de eigendom niet opnieuw binnen tot men u zegt dat het veilig is dit te doen.

Productveiligheid

- Het toestel en de toegankelijke onderdelen worden warm tijdens de werking. Zorg ervoor dat u geen verwarmingselementen aanraakt. Behalve als ze voortdurend onder toezicht staan, moeten kinderen jonger dan 8

jaar uit de buurt worden gehouden.

- Gebruik het product niet wanneer uw beoordelingsvermogen of coördinatie nadelig beïnvloed worden door het gebruik van drugs en/of alcohol.
- Wees voorzichtig bij het gebruiken van alcoholische dranken in uw maaltijden. Alcohol verdampt bij hoge temperaturen en kan brand veroorzaken aangezien het vlam vat wanneer het in contact komt met warme oppervlakken.
- Plaats geen ontvlambare materialen dichtbij het apparaat aangezien de zijkanten heet worden tijdens gebruik.
- Tijdens het gebruik wordt het apparaat warm. Zorg ervoor dat u geen verwarmingselementen in de oven aanraakt.
- Houd alle ventilatiesleuven vrij van obstakels.
- Verwarm geen gesloten conservenblikken en glazen potten in de oven. De druk die zich in het blik/de pot ontwikkelt kan ervoor zorgen dat deze barst.
- Plaats geen bakschalen, schotels of aluminiumfolie rechtstreeks op de bodem van de oven. De warmteaccumulatie kan de bodem van de oven beschadigen.
- Gebruik geen krassende schuurmiddelen of scherpe metalen schrapers om het glas van de ovendeur te reinigen. Deze kunnen het oppervlak krassen, wat tot barsten van het glas kan leiden.
- Gebruik geen stoomreinigers om het toestel schoon te maken, want dat kan elektrische schokken veroorzaken.
- Gebruik het product niet wanneer de glazen ovendeur verwijderd of gebarsten is.
- Het handvat van de oven is geen handdoekenrek. Hang hier geen handdoeken, wanten of soortgelijke stoffen voorwerpen aan als de grill met open deur werkzaam is.
- Gebruik altijd warmtebestendige ovenhandschoenen wanneer u schotels in de oven plaatst of eruit haalt.
- Zorg ervoor dat het apparaat is uitgeschakeld voordat u de lamp vervangt om de mogelijkheid van een elektrische schok te voorkomen.
- Doe de deksel niet naar beneden voordat de kookplaten of branders afgekoeld zijn. Veeg de deksel droog voor deze te openen om te voorkomen dat er water in de achter- en binnenkant van het fornuis lekt.

- Onbeheerd koken op een kookplaat met vet of olie kan gevaarlijk zijn en kan leiden tot brand. Probeer NOOIT een brand met water te blussen, maar schakel het apparaat uit en bedek vervolgens de vlam met bijvoorbeeld, een deksel of een branddeken.
- Brandgevaar: Bewaar geen items op de kookplaten.

Voor de betrouwbaarheid van de brandbaarheid van het product;

- Zorg ervoor dat de stekker past bij de contactdoos en dat er geen vonken kunnen ontstaan.
- Gebruik geen beschadigde of gesneden kabel of een verlengkabel, behalve de originele kabel.
- Zorg ervoor dat er geen vloeistof of vocht zit op de ingestoken stekker van het product.
- Zorg ervoor dat uw gasaansluiting danig is geïnstalleerd dat er geen gaslek kan ontstaan.

Bedoeld gebruik

- Dit product is bedoeld voor huishoudelijk gebruik. Commercieel gebruik is niet toegelaten.
- Dit toestel is uitsluitend bedoeld voor het koken. Het mag niet als verwarmingstoestel worden gebruikt".

- Dit product dient niet te worden gebruikt voor het opwarmen van platen onder de grill, het drogen van handdoeken, theedoeken enz. op de handgrepen, en als verwarming.
- De fabrikant is niet aansprakelijk voor schade veroorzaakt door foutief gebruik of bediening.
- De oven kan gebruikt worden voor het ontdoeien, bakken, roosteren en grillen van voedsel.

Kindveiligheid

- Toegankelijke onderdelen kunnen tijdens gebruik heet worden. Houd jonge kinderen uit de buurt.
- De verpakkingsmaterialen kunnen gevaarlijk zijn voor kinderen. Houd de verpakkingsmaterialen buiten het bereik van kinderen. Doe alle delen van de verpakking weg volgens de milieunormen.
- Elektrische en/of gastoestellen zijn gevaarlijk voor kinderen. Houd kinderen bij het product vandaan als het in gebruik is en sta niet toe dat ze ermee spelen.
- Er is een extra beschermingsmiddel beschikbaar om contact met de ovendeur te vermijden. Dit onderdeel dient u te plaatsen wanneer de kans bestaat dat jonge kinderen aanwezig zijn.

- Plaats geen items boven het toestel binnen het bereik van kinderen.
- Plaats **geen** zwaar voorwerp op een open deur en laat kinderen er **niet** op zitten. De oven kan omkantelen of deurscharnieren kunnen beschadigd worden.

Het oude product afvoeren



Voer het oude product af op een milieuvriendelijke manier. Dit apparaat draagt het symbool voor de selectieve sortering van afval van elektrische en elektronische apparatuur (WEEE). Dit betekent dat het apparaat moet worden gehanteerd conform de Europese Richtlijn 2002/96/EG voor recycling of ontmanteling om invloed van het apparaat op het milieu te minimaliseren. Neem voor meer

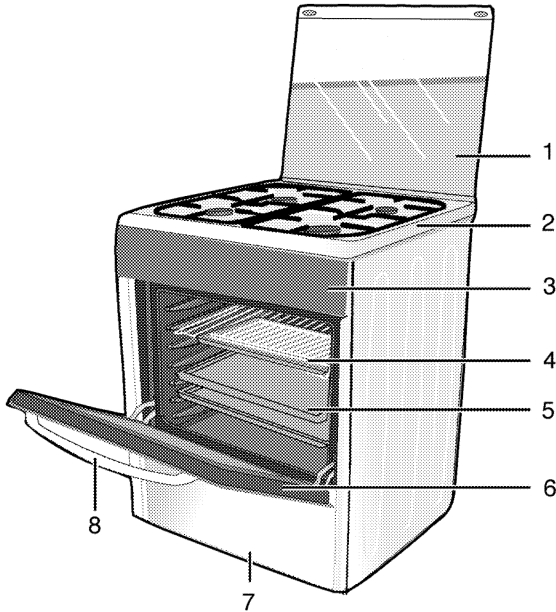
informatie contact op met uw plaatselijke of regionale overheid. Neem contact op met uw plaatselijke dealer of afvalbrengrstation in uw regio voor informatie over het afvoeren van uw product. Voordat u het product afvoert, moet u de stroomkabel losmaken en de deurvergrendeling - indien van toepassing - onbruikbaar maken om gevaarlijke situatie voor kinderen te voorkomen.

Verpakkingsmateriaal afvoeren

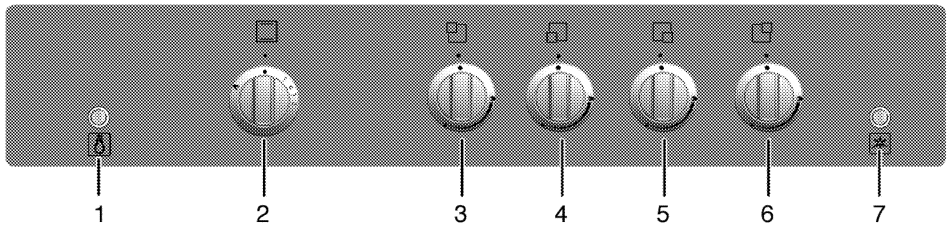
- Verpakkingsmateriaal is gevaarlijk voor kinderen. Houd verpakkingsmateriaal op een veilige plek buiten het bereik van kinderen. Verpakkingsmateriaal van het product wordt vervaardigd van recyclebaar materiaal. Voer het netjes af en sorteer het overeenkomstig de regels voor recyclebaar afval. Werp het niet weg bij het normale huisafval.

2 Algemene informatie

Overzicht



- | | | | |
|---|------------------|---|---------------|
| 1 | Bovenste deksel | 5 | Plaat |
| 2 | Branderplaat | 6 | Ovendeur |
| 3 | Bedieningspaneel | 7 | Onderste deel |
| 4 | Draadrooster | 8 | Handgreep |



- | | |
|---|----------------------------------|
| 1 | Knop voor lamp |
| 2 | Ovenknop |
| 3 | normale brander Links achteraan |
| 4 | Snelbrander Links vooraan |
| 5 | hulpbrander Rechts vooraan |
| 6 | normale brander Rechts achteraan |
| 7 | Ontstekingsknop |

Inhoud pakket

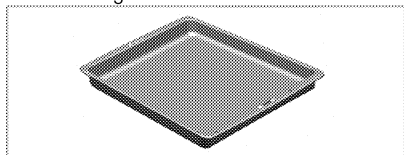


De bijgeleverde accessoires kunnen variëren, afhankelijk van het productmodel. Het is mogelijk dat uw product niet alle accessoires bevat die in de gebruikershandleiding worden beschreven.

1. **Gebruikershandleiding**

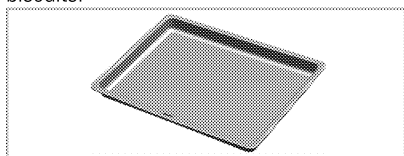
2. **Ovenplaat**

Wordt gebruikt voor gebakjes, bevroren voedsel en grote braadstukken.



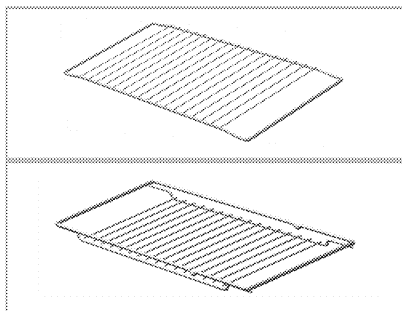
3. **Cakeplaat**

Wordt gebruikt voor gebak zoals koekjes en biscuits.



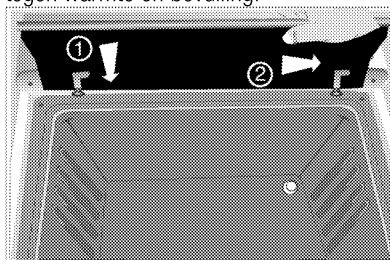
4. **Draadrooster**

Gebruikt bij het braden en voor het plaatsen van te bakken, roosteren of koken voedsel in stoofgerechten op het gewenste rek.



5. **Beschermplaat voor knoppen**

Wordt gebruikt voor het grillen terwijl de oven deur op een kier staat. Beschermt het bedieningspaneel en de bedieningsknoppen tegen warmte en bevuiling.



6. **Koffiepotadapter**



Wordt gebruikt voor koffiepoten.

Technische specificaties

ALGEMEEN	
Buitenste afmetingen (hoogte/breedte/diepte)	850 mm/600 mm/600 mm
Elektrische spanning / frequentie	220- 240 V ~ 50 Hz
Kabeltype/-functionaliteit	H05VV-FG 3 x 0,75 mm ²
Kabellengte	max. 2 m
Categorie van gasproduct	BE II 2E+3+ / NL II 2L3B/P
Gastype/druk	NG G 20/20 mbar
Totaal gasverbruik	10,4kW
Omzetting naar gas type/druk ^S	NG G 25/25 mbar
- optioneel	LPG G 30/28-30 mbar - Propan 31/37 mbar
KOOKPLAAT	
Branders	
Links achteraan	normale brander
Stroom	2000 W
Links vooraan	Snelbranders
Stroom	2900 W
Rechts vooraan	hulpbranders
Stroom	1000 W
Rechts achteraan	normale brander
Stroom	2000 W
OVEN/GRILL	
Hoofdoven	Gasoven
Binnenlamp	15-25 W
Stroomverbruik grill	2,5 kW
Gasverbruik van de oven	2,5 kW



De technische specificaties mogen zonder voorafgaande kennisgeving gewijzigd worden om de productkwaliteit te verbeteren.



De afbeeldingen in deze handleiding zijn schematisch en komen mogelijk niet exact overeen met uw product.



Waarden vermeld op de productlabels of in de bijgeleverde documentatie worden verkregen onder laboratoriumomstandigheden overeenkomstig de relevante standaarden. Deze waarden kunnen schommelen afhankelijk van de werkings- en omgevingsomstandigheden van het product.

Injectortafel

Position kookplaatzone	2000 W Links achteraan	2900 W Links vooraan	1000 W Rechts vooraan	2000 W Rechts achteraan
Gastype / Gasdruk				
G 20/20 mbar	103	115	72	103
G 30/28-30 mbar	72	87	50	72
G 25/25 mbar	103	115	72	103
G 31/ 37 mbar	72	87	50	72
Gastype / Gasdruk	Gasoven		GRILL	
G 20/20 mbar	115		115	
G 30/28-30 mbar	73		73	
G 25/25 mbar	115		115	
G 31/ 37 mbar	73		73	

3 Installatie

Product dient geïnstalleerd te worden door een bekwaam persoon in overeenstemming met de van kracht zijnde voorschriften. De fabrikant is niet aansprakelijk voor schade die voortvloeit uit werkzaamheden door onbevoegde personen. Mogelijk kan dit de garantie ongeldig maken.



De voorbereiding van de locatie en de elektriciteits- en gasinstallatie voor het product vallen onder de verantwoordelijkheid van de klant.



GEVAAR:

Het product moet aangesloten worden overeenkomstig de lokale gas- en elektriciteitsvoorschriften.



GEVAAR:

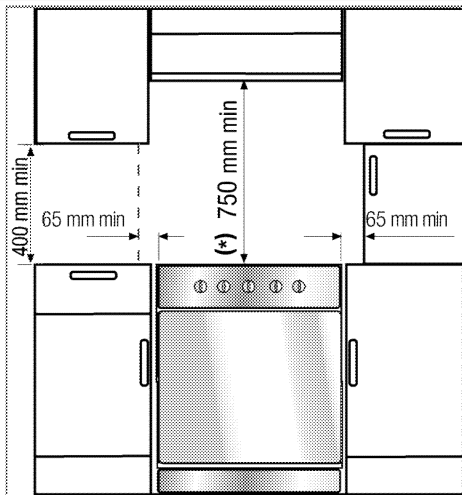
Controleer vóór installatie van het product of het zichtbare gebreken heeft.

Zo ja, laat het dan niet installeren. Beschadigde producten vormen een gevaar voor uw veiligheid.

Voor installatie

Om ervoor te zorgen dat alle luchtopeningen onder het toestel vrij blijven, moet dit toestel worden geplaatst op een harde ondergrond zodat de voetjes niet in vast tapijt of in een zachte vloerbekleding wegzakken.

De keukenvloer moet in staat zijn het gewicht van het toestel te dragen plus het extra gewicht van kookwaren en bakwaren en voedsel.



- Het kan worden gebruikt met elementen aan beide zijden maar om een minimumafstand van 400 mm te hebben boven de kookplaat moet u een vrije ruimte van 65 mm voorzien tussen het toestel en een muur, een keukendeel of een grote kast.
- Het fornuis kan ook losstaand worden geplaatst. Voorzie een minimumafstand van 750 mm boven het kookoppervlak.
- (*) Indien boven het fornuis een afzuigkap wordt geplaatst, dient u de instructies van de fabrikant te raadplegen met betrekking tot de installatiehoogte (minstens 650 mm).
- Het toestel komt overeen met toestelklasse 1, d.w.z. het kan worden geplaatst met de achterzijde en éénzijde naar de keukenwanden, keukenmeubilair of uitrusting van eender welke grootte. Het keukenmeubilair of of de uitrusting aan de **andere** zijde mag enkel van dezelfde grootte of kleiner zijn.
- Elk keukenmeubilair naast het toestel moet warmtebestendig zijn (tot 100 °C min).

Kamerventilatie

In elke kamer moet een opengaand venster of iets gelijkaardigs worden voorzien. In sommige kamers moet extra ventilatie worden voorzien.

De lucht voor verbranding wordt genomen van de kamerlucht en de uitlaatgassen worden rechtstreeks in de kamer uitgestoten.

Goede kamerventilatie is essentieel voor het veilige bediening van uw toestel. Indien er geen raam of deur beschikbaar is voor kamerventilatie moet er een extra ventilatie worden geïnstalleerd. Het fornuis mag in een keuken, een keuken/eetkamer of een slaap-/woonkamer worden geplaatst, maar niet in een badkamer of een douche. Het fornuis mag niet in een slaap-/woonkamer met een oppervlakte van minder dan 20 m worden geplaatst.³

Installeer dit toestel niet in een kelderverdieping tenzij er aan minstens een zijn vrije toegang is tot de gelijkvloerse verdieping.

Kamer grootte	Ventilatieopening
kleiner dan 5 m ³	min. 100 cm ²
5 m ³ tot 10 m ³	min. 50 cm ²
groter dan 10 m ³ den	niet vereist
In de kelder	min. 65 cm ²

Installatie en verbinding

Het product mag slechts worden geïnstalleerd en aangesloten volgens de statutaire installatienormen.



Installeer het product niet naast koelkasten of diepvriezers. De door het product afgegeven warmte zal het stroomverbruik van koeltoestellen verhogen.

- Draag het product met minstens twee personen.
- Het product moet rechtstreeks op de vloer worden geplaatst. Het moet niet worden geplaatst op een draagvlak of een voetstuk.



Draag of verplaats het product niet met behulp van de deur- en/of handgreep. De deur, hendel of scharnieren beschadigen.

Elektrische aansluiting

Sluit het product aan op een geaarde uitgang/lijn die beveiligd is door een zekering met de capaciteit zoals vermeld in de tabel "Technische specificaties". Laat de aardingsinstallatie aanleggen door een bevoegd elektricien terwijl u het product met of zonder transformator gebruikt.

Ons bedrijf is niet aansprakelijk voor schade die voortvloeit uit het gebruik van het product zonder een aardingsinstallatie overeenkomstig de plaatselijke voorschriften.



GEVAAR:

Het product mag uitsluitend door een bevoegde en gekwalificeerde persoon op de netvoeding aangesloten worden. De garantieperiode van het product gaat uitsluitend in na correcte installatie.

De fabrikant is niet aansprakelijk voor schade die voortvloeit uit werkzaamheden door onbevoegde personen.



GEVAAR:

De stroomkabel mag niet worden vastgeklemd, verbogen of samengedrukt of in contact komen met warme onderdelen van het product. Een beschadigde stroomkabel moet door een bevoegde elektricien worden vervangen. Anders bestaat er een risico op een elektrische schok, kortsluiting of brand!

De gegevens over de stroomvoorziening moeten overeenkomen met de gegevens vermeld op het typeplaatje van het product. Het typeplaatje is zichtbaar wanneer de deur geopend wordt of bevindt zich op de achterkant van de eenheid afhankelijk van het type eenheid.

De stroomkabel van uw product moet voldoen aan de waarden in de tabel "Technische specificaties".



De netstekker moet na de installatie goed te bereiken zijn (niet boven de kookplaat leiden).



GEVAAR:

Koppel het product los van het elektriciteitsnet voordat met werk aan de elektrische installatie begonnen wordt.

Er is kans op elektrische schokken!

Steek de stroomkabel in de contactdoos.

Gaskoppeling



GEVAAR:

Product mag slechts door een bevoegd en gekwalificeerd persoon aan het gastoevoersysteem worden aangesloten.

Explosie- of vergiftigingsgevaar door onprofessionele reparaties!

De fabrikant is niet aansprakelijk voor schade die voortvloeit uit werkzaamheden door onbevoegde personen.



GEVAAR:

Sluit de gastoevoer af voordat u begint te werken aan de gasinstallatie. Er is explosiegevaar!

- Gasafstelcondities en -waarden zijn aangegeven op labels (of op modellabel).
- Raadpleeg de gedetailleerde gasaansluiting- en gasconversie-informatie in de bij dit product geleverde gebruikershandleiding.



GEVAAR:

De gaslang mag niet worden vastgeklemd, verbogen of samengedrukt of in contact komen met hete onderdelen van het product. Er bestaat explosiegevaar door een beschadigde gaslang.

- Duw het product naar de keukenmuur.
- **Stel de poten van de oven**
Trillingen tijdens het gebruik kan verschuiving van pannen veroorzaken. Deze gevaarlijke situatie kan voorkomen worden als het product vlak en waterpas staat. Verzeker u er voor uw eigen veiligheid van dat het product vlak staat door de vier voetjes aan de onderkant te stellen door

deze naar links of rechts te draaien en zo de bovenkant uit te lijnen.

Laatste controle

1. Open de gastoevoer.
2. Controleer gasinstallaties voor veilige installatie en dichtheid.
3. Ontsteek branders en controleer het verschijnen van de vlam.



Vlam dient blauw te zijn en een regelmatige vorm te hebben. Als de vlam geelachtig is, controleer of de branderdekseel goed op zijn plek zit of reinig de brander.

Toekomstig transport

- Bewaar de originele doos van het product en vervoer het product daarin. Volg de aanwijzingen op de doos. Als u de originele doos niet hebt, verpak het product dan in luchtkussenfolie of dik karton en tape het goed vast.
- Om te verhinderen dat de draadgrill en de plaat in de oven de ovendeur beschadigen, plaats een strip karton op de binnenkant van de ovendeur zodat deze overeenkomt met de positie van de plaat. Bevestig de ovendeur aan de zijkanten met tape.
- Bevestig de deksels en pannendragers met kleefband.
- Til of verplaats het product niet met behulp van de deur of handgreep.



Plaats geen voorwerpen op het product en verplaats het rechtopstaand.



Controleer globaal het uiterlijk van uw product op eventuele schade die tijdens het transport werd veroorzaakt.

4 Voorbereidingen

Tips om energie te besparen

De volgende informatie zal u helpen om uw apparaat op een ecologische manier te gebruiken en energie te besparen:

- Gebruik donkerkleurige of gelakte kookwaren in de oven; dit zorgt voor een betere warmtetransmissie.
- Verwarm de oven tijdens het koken van uw gerechten voor als dit wordt aanbevolen in de gebruikershandleiding of kookbeschrijving.
- Open de ovendeur zo weinig mogelijk tijdens het koken.
- Probeer wanneer dit mogelijk is meer dan één gerecht tegelijkertijd in de oven te bereiden. U kunt koken door twee pannen op het grillrooster te plaatsen.
- Bereid meer dan één gerecht na elkaar. De oven zal al warm zijn.
- Ontdooi bevroren gerechten voor u ze bereidt.
- Gebruik potten/pannen met deksels om te koken. Als u geen deksel gebruikt kan het energieverbruik met 4 keer toenemen.
- Kies de brander die geschikt is voor de bodemmaat van de te gebruiken pan. Kies altijd de juiste pannemaat voor uw gerechten. Grotere pannen behoeven meer energie.

Het eerste gebruik

Eerste reiniging van het toestel



Het oppervlak kan beschadigd geraken door sommige detergents of reinigingsmaterialen.

Gebruik geen agressieve detergents, reinigingspoeder/melk of scherpe voorwerpen tijdens het reinigen.

1. Verwijder alle verpakkingsmaterialen.
2. Veeg de oppervlakken van het toestel met een vochtige doek of spons en droog het met een doek.

Eerste opwarming

Warm het product ongeveer 30 minuten op en schakel het dan uit. Zo worden alle productieresten of -lagen afgebrand en verwijderd.



WAARSCHUWING

Hete oppervlakken veroorzaken brandwonden!

Het product kan heet zijn wanneer het in gebruik is. Raak de hete branders, de binnenste delen van de oven, verwarmers enz. nooit aan. Houd kinderen uit de buurt. Gebruik altijd warmtebestendige ovenhandschoenen wanneer u schotels in de oven plaatst of eruit haalt.

Gasoven

1. Neem alle bakschalen en het grillrooster uit de oven.
2. Sluit de ovendeur.
3. Selecteer de grootste vlam van de gasoven; zie *De gasoven gebruiken, pagina 18*.
4. Laat de oven ongeveer 30 minuten werken.
5. Draai uw oven uit; zie *De gasoven gebruiken, pagina 18*

Grilloven

1. Neem alle bakschalen en het grillrooster uit de oven.
2. Sluit de ovendeur.
3. Selecteer de grootste vlam van de grilloven; zie *Hoe de gasgrill te gebruiken, pagina 20*.
4. Laat de oven ongeveer 30 minuten werken.
5. Draai uw grill uit; zie *Hoe de gasgrill te gebruiken, pagina 20*



Tijdens het eerste gebruik kunnen gedurende enkele uren geur en rook worden afgegeven. Dit is heel normaal. Zorg ervoor dat de keuken goed geventileerd is om de rook en geur af te voeren. Voorkom directe inademing van de geproduceerde rook en geur.

5 De kookplaat gebruiken

Algemene informatie over koken



Vul de de pan nooit voor meer dan eenderde met olie. Laat de kookplaat niet onbewaakt achter als u olie verhit. Oververhitte olie geeft brandgevaar. **Probeer een mogelijk vuur nooit te doven met water!** Bedek olie als het in brand vliegt met een branddeken of een vochtige doek. Zet de kookplaat, als dit veilig kan, uit en bel de brandweer.

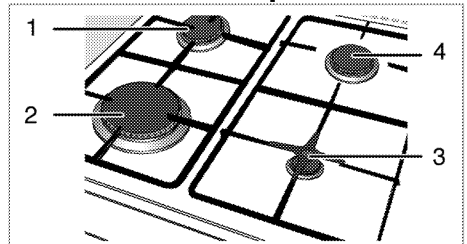
- Droog eten steeds goed af voor het koken en plaats het voorzichtig in de hete olie. Zorg ervoor dat etenswaren volledig zijn ontdooid voor het koken.
- Dek de kookpot niet af als u olie verwarmt.
- Plaats potten en steelpannen zo op de kookplaat dat de handvatten niet over de kookplaat hangen om te voorkomen dat ze opwarmen. Plaats geen kookpotten op de kookplaat die gemakkelijk overhellen of omvallen.
- Plaats geen lege kookpotten en steelpannen op kookzones die zijn ingeschakeld. Ze kunnen beschadigd raken.
- Een kookzone bedienen zonder kookpot of steelpan zal schade veroorzaken aan het product. Schakel de kookzone uit nadat u klaar bent met koken.
- Plaats geen plastic of aluminium kookpotten op het oppervlak omdat dat heet kan zijn. Dergelijke potten worden best ook niet gebruikt om voedsel in te bewaren.
- Gebruik enkel steelpannen of kookpotten met een vlakke bodem.
- Plaats de aangewezen hoeveelheid voedsel in steelpannen en pannen. Zo hoeft u niet onnodig te reinigen door het overvloeien van voedsel te voorkomen. Plaats geen deksels van steelpannen of pannen op kookzones. Plaats steelpannen zo dat ze gecentreerd staan op de kookzone. Als u een steelpan

van één kookzone naar een andere wenst te verplaatsen, heft u ze op in plaats van ze naar de andere kookzone te schuiven.

Koken met gas

- De vlam moet overeenkomen met de grootte van de kookpot. Pas de gasvlam aan zodat deze niet aan de onderkant van de kookpot komt en centreer de kookpot op het opzetstuk.

Gebruik van de kookplaten



- 1 normale brander 18-20 cm
- 2 Snelbrander 22-24 cm
- 3 hulpbrander 12-18 cm
- 4 normale brander 18-20 cm is een lijst van aanbevolen kookpotdiameters om te gebruiken op de overeenkomstige branders.

Het grote vlamsymbool geeft het hoogste kookvermogen aan en het kleine vlamsymbool duidt op het laagste kookvermogen. In de uitpositie (top) wordt er geen gas naar de branders gevoerd.

Ontsteking van de gasbranders



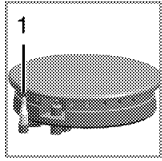
De gasbranders worden ontstoken met de ontstekingsknop.

1. Houd de branderknop ingedrukt.
2. Draai het tegen de klok in naar het grote vlamsymbool.
3. Druk de ontstekingsknop kort in en laat hem weer los. Herhaal het proces totdat het vrijgegeven gas wordt ontstoken.
4. Pas het gewenste kookvermogen aan.

Schakel de gasbranders uit.

Schakel de warmhoudzoneknop in de uit-positie (boven).

Veiligheidssysteem voor gasonderbreking (bij modellen met thermische onderdelen)



1.
Veiligheidsonderbreking van de gastoevoer

Als maatregel tegen uitvallen veroorzaakt door het overvloeien van vloeistoffen in de branders wordt het veiligheidsmechanisme in gang gezet en de gastoevoer afgesloten.

- Druk de knop in en draai hem tegen de klok in om te ontsteken.
- Nadat het gas is ontstoken, moet de knop nog 3 tot 5 seconden ingedrukt blijven om het veiligheidssysteem in te schakelen.
- Als het gas niet wordt ontstoken nadat u de knop indrukt en loslaat, herhaalt u deze procedure en houdt u de knop 15 seconden lang ingedrukt.



GEVAAR:

Laat de knop los als de brander niet binnen 15 seconden vlam vat. Wacht minstens 1 minuut voor het nogmaals te proberen. Er is gasopeenhopings- en explosiegevaar!

6 Hoe de oven te bedienen

Algemene informatie over bakken, roosteren en grillen



WAARSCHUWING

Hete oppervlakken veroorzaken brandwonden!

Het product kan heet zijn wanneer het in gebruik is. Raak de hete branders, de binnenste delen van de oven, verwarmers enz. nooit aan. Houd kinderen uit de buurt. Gebruik altijd warmtebestendige ovenhandschoenen wanneer u schotels in de oven plaatst of eruit haalt.



GEVAAR:

Wees voorzichtig bij het openen van de ovendeur, want er kan stoom ontsnappen.

Ontsnappende stoom kan uw handen, gezicht en/of ogen verbranden.

Tips bij het bakken

- Gebruik geschikte metalen schotels met een anti-kleeflaag, aluminium pannen of hittebestendige siliconenvormen.
- Maak optimaal gebruik van de ruimte op het rek.
- Zet de bakvorm in het midden van het rek.
- Kies de juiste roosterpositie voordat u de oven of grill aanzet. Wijzig de roosterstand niet wanneer de oven heet is.
- Houd de ovendeur gesloten.

Tips bij het roosteren

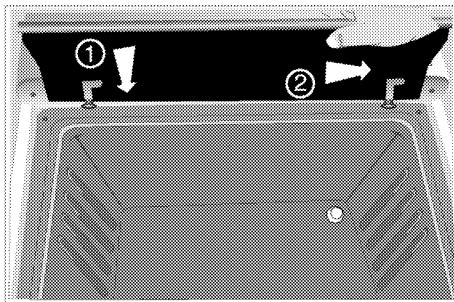
- Het vooraf behandelen van hele kip, kalkoen en grote stukken vlees met dressings zoals citroensap en zwarte peper verhoogt de kookprestatie.
- Vlees met botten heeft ongeveer 15 tot 30 minuten langer nodig om te bakken dan een braadstuk van dezelfde grootte zonder botten.
- U moet ongeveer 4 tot 5 minuten bereidingstijd rekenen per centimeter dikte van het vlees.

- Laat het vlees in de oven rusten voor ongeveer 10 minuten na het verstrijken van de kooktijd. De jus wordt beter verdeeld over het hele braadstuk en loopt niet weg wanneer het vlees wordt gesneden.
- Vis moet in een vuurvaste schaal in het middelste of lage rooster worden geplaatst.

Installeren van het hiteschild

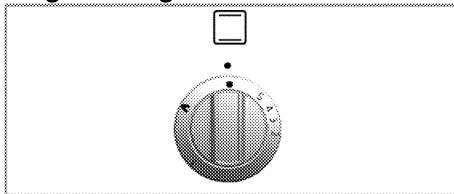
Het hiteschild wordt gebruikt om te grillen met de ovendeur open. Bescherm het bedieningspaneel en de bedieningsknoppen tegen warmte en bevuiling.

1. Open de ovendeur en plaats het hiteschild op de pennen onder het bedieningspaneel in de ovendeur.



» Als het hiteschild geïnstalleerd is blijft de ovendeur open.

De gasoven gebruiken



De gasoven wordt bediend via de gasovenbedieningsknop. In uit-stand (top) is de gastoevoer uit.

De gasoven inschakelen

De gasoven wordt ontstoken met de ontstekingsknop.

1. Open de ovendeur.
2. Houd gasovenbedieningsknop ingedrukt en draai het **tegen de klok in**.

3. Druk de ontstekingsknop in en laat deze weer los.
4. Houd de gasovenbedieningsknop ongeveer 3 tot 5 seconden ingedrukt.
» Herhaal het proces totdat het afgegeven gas wordt ontstoken.
5. Houd de gasovenbedieningsknop ongeveer 3 tot 5 seconden ingedrukt. Verzeker u ervan dat het gas ontstoken is en er een vlam brandt.
6. Selecteer het gewenste bakvermogen/gasstand.
7. Als er geen elektriciteit is, kunt u het gas met de gasaansteker aansteken vanuit het ontstekingsbedieningsgat.



GEVAAR:

Er is gasdruk- en explosiegevaar! Probeer het gas niet langer dan 15 seconden te ontsteken. Als de brander niet binnen 15 seconden vlam vat, draai de knop en wacht 1 minuut. Ventileer de kamer voor een nieuwe poging de brander te ontsteken. Er is gasdruk- en explosiegevaar!

Schakel de gasoven uit.

1. Draai de gasovenbedieningsknop naar uitpositie (top).
De gasniveaus betekenen:

Gasniveau	1	2	3	4	5
Temperatuur in °C	170	180	200	230	280

Tabel kooktijden



1ste rek van de oven is het **onderste** rek.



De tijden in dit schema dienen als richtlijn. Tijden kunnen variëren door de voedseltemperatuur, dikte, soort en uw eigen bereidingsvoorkeuren.



Maximum laadcapaciteit voor de ovenplaat: 4 kg (8,8 Engelse pond).

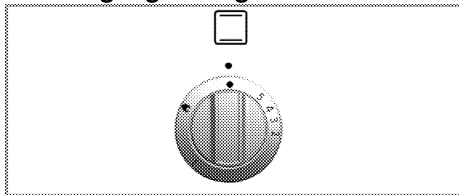
Plaats schotel op bakpapier om morsen op de ovenbasis te voorkomen en de oven schoon te houden.

Bakken en roosteren

Voedsel	Voorverwarmen *	Plaatsingsniveau	Controleknoppositie	Kooktijd
Appeltaart	10 min.	3	1	60...70 min.
Fruittaart	10 min.	3	1	60...70 min.
Taart	10 min.	3	1	60...70 min.
Koekjes	10 min.	4	1...2	30...40 min.
Gebakje	10 min.	3..4	1..2	40...50 min.
Cake	10 min.	3	1...2	60...70 min.
Biscuits	10 min.	4	1..2	30...40 min.
Lamsgebraad	10 min.	4...5	3	35...45 min. per 450 g + 30 min.
Varkensvlees roosteren	10 min.	3..4	3	100...130 min. per 450 g + 30 min.
Kalkoen	10 min.	3	3	100...130 min. per 450 g + 30 min.
Gevogelte	10 min.	3	1..2	100...130 min. per 450 g + 25 min.
Stoofpotjes	10 min.	4	1...2	90...120 min. ^S
Vis	10 min.	3	1..2	45...55 min.
Macaroni	10 min.	4	1..2	50...55 min.
Kleine cakejes	10 min.	3..4	1	40...50 min.
Victoria sandwich	10 min.	3	1	30...35 min.

* op controleknoppositie 5 / ^S afhankelijk van hoeveelheid/ ^S afhankelijk van grootte

Hoe de gasgrill te gebruiken



De grill wordt bediend met de grillbedieningsknop. In de uit-positie (top) komt er geen gas vrij.

De ovendeur dient open te blijven tijdens het grillen.



WAARSCHUWING

Hete oppervlakken kunnen brandwonden veroorzaken! Houd kinderen bij het product vandaan. Overdeur blijft enigszins aflopend bij volledige opening, zodat mogelijke spatten u niet kunnen bereiken.



GEVAAR:

Er is gasdruk- en explosiegevaar! Probeer het gas niet langer dan 15 seconden te ontsteken. Als de brander niet binnen 15 seconden vlam vat, draai de knop en wacht 1 minuut. Ventileer de kamer voor een nieuwe poging de brander te ontsteken. Er is gasdruk- en explosiegevaar!

Het uitzetten van de grill

1. Draai de grillbedieningsknop naar de uit-positie (bovenste stand).



Voedsel dat niet geschikt is voor grillen heeft het risico te verbranden. Gebruik enkel grillvoedsel dat geschikt is voor intensieve grillwarmte. Plaats het voedsel niet te ver naar achteren in de grill. Dit is het heetste gebied en hier kan vettig voedsel vlam vatten.

Aanzetten van de grill

De gasgrill wordt ontstoken met de ontstekingsknop.

1. Open de ovendeur.
 2. Druk de ontstekingsknop kort in en laat hem weer los.
- » Herhaal het proces totdat het gas wordt ontstoken.
3. Houd de knop nog 3 tot 5 seconden ingedrukt.
 4. Zorg dat de grill aan staat.
 5. Ontsteek bij een stroomstoring de grillbrander met een aansteker of lucifer.

Tabel kooktijden



De tijden in dit schema dienen als richtlijn. Tijden kunnen variëren door de voedseltemperatuur, dikte, soort en uw eigen bereidingsvoorkeuren.



1ste rek van de oven is het **onderste** rek.

Grillen met gasgrill

Voedsel	Vorbereiding/Instelling	Grilltijd #
Roosteren van broodproducten	3...10 min.
Kleine stukken vlees, worsten, spek, enz.	15...20 min.
Koteletten, gerookte ham, stukken kip, enz.	Kip met netje in omgekeerde positie.	20...25 min.
Volledige vis, visfilets, vissticks	Volledige vis en visfilets geplaatst op de bodem van de grillpan.	10...20 min.
Gepaneerde vis	15...20 min.
Voorgekookte aardappelproducten	15...20 min.
Pizza	Geplaatst op de bodem van de grillpan	12...15 min.
Voedsel grillen/aanbraden	Gerecht rechtstreeks geplaatst op de bodem van het grillcompartiment.	8...10 min.
# afhankelijk van grootte resp. dikte		

7 Onderhoud en verzorging

Algemene informatie

De levensduur van het product zal worden verlengd en er zullen minder vaak problemen zijn als het product regelmatig wordt gereinigd.



GEVAAR:

Sluit het product van de stroom af voor te beginnen met onderhouds- en reinigingswerk.

Er is kans op elektrische schokken!



GEVAAR:

Laat het product afkoelen voordat u het reinigt.

Hete oppervlakken kunnen brandwonden veroorzaken!

- Reinig het product grondig na ieder gebruik. Zo kunt u kookresten gemakkelijker verwijderen, en voorkomt u dat ze verbranden als u het apparaat de volgende keer gebruikt.
- Er zijn geen speciale reinigingsmiddelen vereist om het product te reinigen. Gebruik warm water met wasvloeistof, een zachte doek of spons voor het reinigen van het product en een droge doek om het te drogen.
- Zorg er steeds voor dat overvloedige vloeistoffen worden afgeveegd na de reiniging en dat gemorste vloeistoffen steeds meteen worden afgeveegd.
- Gebruik voor het reinigen van roestvrijstalen oppervlakken en de handgreep geen reinigingsmiddelen die zuur of chloride bevatten. Gebruik een zachte doek met een vloeibaar detergent (niet-schurend) om deze onderdelen schoon te vegen, en let erop dat u in één richting veegt.



Het oppervlak kan beschadigd geraken door sommige detergenten of reinigingsmaterialen.

Gebruik geen agressieve detergenten, reinigingspoeder/melk of scherpe voorwerpen tijdens het reinigen.



Gebruik geen stoomreinigers om het toestel schoon te maken, want dat kan elektrische schokken veroorzaken.

Reiniging van de kookplaat

Gaskookplaten

1. Verwijder de opzetstukken voor de steelpan en de branderdeksels en reinig ze.
2. Reinig de kookplaat.
3. Installeer de branderdeksels en zorg ervoor dat ze correct geplaatst zijn.
4. Let erop dat de opzetstukken voor de steelpan zo worden geplaatst dat de branders centraal staan bij de installatie van de bovenste grill.

Het bedieningspaneel reinigen

Reinig bedieningspaneel en knoppen met een vochtige doek en veeg ze droog.



Verwijder om het bedieningspaneel te reinigen niet de bedieningsknoppen. Het bedieningspaneel kan beschadigd worden!

De oven reinigen

Reinig de oven deur

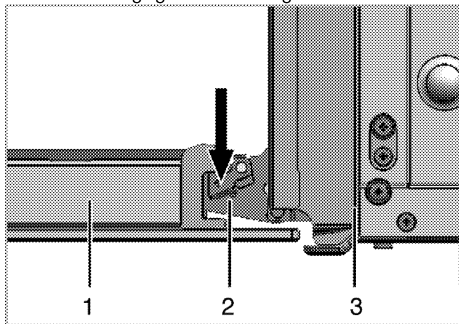
Gebruik, om de oven deur te reinigen, warm water met wasmiddel, een zachte doek of spons om het product te reinigen en een droge doek om deze droog te wrijven.



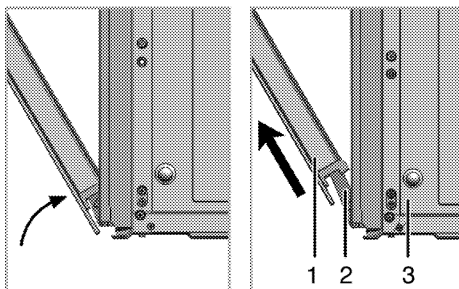
Gebruik geen sterkschurende reinigingsmiddelen of scherpe harde metalen schrappers om de oven deur te reinigen. Zij kunnen het oppervlak en het glas beschadigen.

De ovendeur verwijderen

1. Open de ovendeur (1).
2. Open de clips bij de scharnierbehuizing (2) aan de rechter- en linkerkant van de ovendeur door ze naar beneden te duwen zoals aangegeven in de figuur.



- 1 Ovendeur
- 2 Scharnier
- 3 Oven



3. Maak de ovendeur half open.
4. Verwijder de ovendeur door deze omhoog te tillen waardoor hij loskomt uit de rechter- en linkerscharnieren.

i Om de deur weer terug te plaatsen, voert u de stappen tijdens het verwijderen in omgekeerde volgorde uit. Vergeet niet om de clips bij de scharnierbehuizing te sluiten wanneer u de deur opnieuw installeert.

De ovenlamp vervangen



GEVAAR:

Zorg voordat u de ovenlamp vervangt dat het product afgesloten is van het elektriciteitsnet en afgekoeld om het risico op een elektrische schok te vermijden.
Hete oppervlakken kunnen brandwonden veroorzaken!



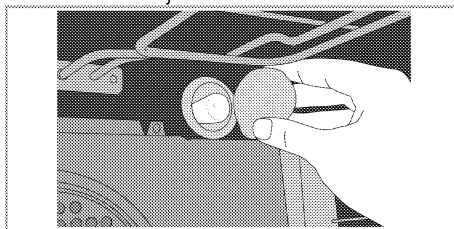
De ovenlamp is een speciale elektrische gloeilamp die temperaturen tot 300°C kan weerstaan. Zie *Technische specificaties, pagina 11* voor gegevens. Ovenlampen kunnen worden verkregen bij de bevoegde serviceagenten.



De positie van de lamp kan afwijken van de afbeelding.

Als uw oven is voorzien van een ronde lamp:

1. Sluit het product af van het elektriciteitsnet.
2. Draai de glazen kap tegen de klok in om deze te verwijderen.



3. Schroef de ovenlamp los door deze tegen de klok in te draaien en vervang deze door een nieuwe lamp.
4. Plaats het glazen deksel terug.

8 Problemen oplossen

De oven geeft stoom af als hij in gebruik is.

- Het is normaal dat er stoom ontsnapt tijdens gebruik. >>> *Dit is geen fout.*

Als de oven verwarmt en koelt geeft deze metaalachtige geluiden.

- Wanneer de metalen onderdelen worden verwarmd, kunnen deze uitzetten en geluid veroorzaken. >>> *Dit is geen fout.*

Er is geen ontstekingsvonk.

- Geen stroom. >>> *Controleer zekeringen in de zekeringenkast.*

Er is geen gas.

- Hoofdgaskraan is afgesloten. >>> *Open de gaskraan.*
- De gasleiding is gebogen. >>> *Installeer de gasleiding correct.*

Branders branden niet juist of helemaal niet.

- Branders zijn vuil. >>> *Reinig de branderonderdelen.*
- Branders zijn nat. >>> *Droog de branderonderdelen.*
- De branderdeksel is niet veilig gemonteerd. >>> *Monteer de branderdeksel correct.*
- Gaskraan is afgesloten. >>> *Open de gaskraan.*
- Gascylinder is leeg (bij gebruik van LPG). >>> *Vervang de gascylinder.*



Raadpleeg de bevoegde serviceagent of de dealer waarbij u het product hebt gekocht als u, ondanks het doorvoeren van de aanwijzingen in dit gedeelte, het probleem niet kunt oplossen. Probeer nooit om een product met gebreken zelf te repareren.

