

en **REFRIGERATOR**
fr **RÉFRIGÉRATEUR**
es **FRIGORIFICO**
pt **FRIGORIFICO**

Direction for Use
Mode d'emploi
Instrucciones de Uso
Instruções de Uso



English	Page	3
Français	Page	17
Español	Página	31
Português	Pág.	45

Contents

	Page		Page
Information concerning (waste) disposal	4	Arranging food in the appliance	10
Disposal of your old appliance	4	Instructions on arranging food in the appliance	10
Disposal of packaging from your new appliance	4	Example of arranging food in the appliance	10
Safety information	5	Interior fittings	10-11
Siting the appliance	6	Freezing, storing food, making ice cubes	11
Ambient temperature	6	Purchasing deep-frozen food	11
Installation location	6	Freezing food yourself	11
Installation	6	Packing food	12
Electrical connection	6	Freezing capacity	12
Ventilation	6	Fast freezing	12
Following delivery ...	6	Storage duration	12
Changing over door hinges	6	Defrosting frozen foods	12
		Making ice cubes	13
Getting to know your appliance	7	Cleaning	13
Requirements	7	Tips for saving energy	14
Overview	7	Operating noises	14
Function of the switching and control elements	8	Eliminating minor faults yourself	15-16
Switching ON/OFF and setting temperatures	9	Customer service	16
Switching ON the appliance	9	Rating plate	16
Setting the temperature	9		
Switching OFF the appliance	9		
Disconnecting the appliance	9		

en

Information concerning (waste) disposal

Disposal of your old appliance

When replacing your old appliance with a new one, please comply with the following:

Immediately render your old appliance unusable. Pull out the mains plug and cut off the power cord. To prevent children from locking themselves in the refrigerator and suffocating, remove or destroy spring locks and deadlocks.

Refrigerators and freezers contain insulation gases and refrigerant which must be disposed of properly. They also contain valuable raw materials which can be recycled. Therefore, enlist the aid of your municipal disposal centre. Please enquire at your local authority or ask your dealer about current means of disposal. Please ensure that the refrigeration tubing is not damaged prior to its proper disposal.

Disposal of packaging from your new appliance

All packaging materials are environmentally friendly and recyclable. The cardboard packaging consists of 80–100 % waste-paper. Wooden components have not been chemically treated.

The plastic film is made of polyethylene (PE), the tapes are made of polypropylene (PP) and the CFC-free packing is made of foamed polystyrene (PS). These materials are pure hydrocarbon compounds and are recyclable.

Reclaiming and recycling packaging conserves raw materials and the volume of waste.

In the Federal Republic of Germany you can return the packaging for recycling to the dealer from whom you purchased the appliance. Addresses of recycling centres which dispose of old appliances can be obtained from your local authority. Please contribute to a better environment by disposing of packaging materials in an environmentally-friendly manner.

Safety information

Before switching ON the appliance, please read the operating and installation instructions carefully. They contain important information on how to install, use and maintain the appliance.

Please retain these operating and installation instructions as they may be required by a subsequent appliance user.

The manufacturer is not liable if you fail to comply with the following information:

- NEVER use a steam cleaner to defrost or clean the appliance. Steam may come into contact with live components in the appliance and cause a short-circuit or an electric shock.
- NEVER use electrical appliances inside the appliance.
- Do NOT switch on a damaged appliance. If in doubt, contact the supplier.
- Connect and install the appliance according to the installation manual. Electrical supply conditions must correspond with the specification on the rating plate.
- The electrical safety of the appliance is not guaranteed unless the earthing system in the building electrical system has been correctly installed.
- If a fault occurs while the appliance is being serviced or cleaned, disconnect the appliance from the power supply. Remove the mains plug or switch OFF the fuse. Do NOT pull out the mains plug by the cable.
- Repairs may only be performed by qualified customer-service technicians. Improper repairs may put the user in considerable danger.
- Bottles which contain a high percentage of alcohol must be sealed and placed vertically in the refrigerator. NEVER store products which contain flammable propellant gases (e.g. cream dispensers, aerosols, etc.) or explosive substances in the appliance – Explosion hazard!
- Do NOT damage the refrigeration circuit, e.g. by puncturing the refrigerant tubing on the evaporator with a sharp object, kinking tubes, scratching surface coatings, etc. Spurting refrigerant may cause eye injuries.
- Do NOT cover or block the ventilation slots.
- Do NOT stand or support yourself on the base, drawers or doors, etc.
- Do NOT allow children to play with the appliance. Children must NEVER sit on drawers or hang from the door.
- If the appliance features a lock, keep the key out of the reach of children.
- Do NOT put ice lollies or ice cubes directly from the freezer compartment into your mouth. Risk of burns from very low temperatures.
- When fridge door is closed, you can see a little movement on the freezer door gasket. This situation doesn't affect to fridge work

en

Installation

Observe ambient temperature

Depending on the “climatic category” (see rating plate), the appliance can be operated at the following ambient temperatures. (The rating plate can be found inside the appliance at the upper left-hand side. Fig. 12).

Climatic category	Ambient temperature from ... to
SN	+10 °C to 32 °C
N	+16 °C to 32 °C
ST	+18 °C to 38 °C
T	+18 °C to 43 °C

If the temperature drops below the ambient-temperature range, the refrigerator compartment will become too cold. If the temperature exceeds the ambient-temperature range, the freezer compartment will become too warm.

If ambient temperatures are below +2 °C, fully automatic defrosting may malfunction.

Installation location

The appliance should be installed in a dry, well ventilated room, but not exposed to direct sunlight and not placed near a heat source, e.g. a cooker, radiator, etc. If installation next to a heat source is unavoidable, use a suitable insulating plate or comply with the following minimum distances to a heat source:

- 3 cm to an electric cooker
- 30 cm to an oil or coal-fired cooker.

If the appliance is installed next to another refrigerator or freezer, observe a minimum distance of 2 cm to prevent condensation.

Installation

The appliance must stand firmly and level on the floor. Use the two front height-adjustable feet to compensate for an uneven floor

Electrical connection

Connect the appliance only to 220–240 V/ 50 Hz alternating current via a correctly installed earthed socket. The socket must be fused with a fuse ≥ 10 A.

If the appliance is to be operated in a **non-European country**, check on the rating plate whether the supply voltage and current type correspond with the values of your mains supply. The rating plate is located in the upper left-hand side of the refrigerator compartment. Figure 12.

The mains connection cable may be replaced only by an electrician.

Warning! NEVER connect the appliance to electronic energy saver plugs (e.g. Sava plug, Ecoboy) or to power inverters which convert the direct current to 230 V alternating current (e.g. solar equipment, power supplies on ships).

Ventilation

Figure 13

The heated air must be able to escape through the rear of the appliance. If the air flow is obstructed, the refrigerating unit must work harder which increases the power consumption. Therefore, NEVER cover the ventilation slots.

After transportation ...

Before switching on the appliance for the first time, leave in a vertical position for approx. 1/2 hour.

Changing the side at which the door is hinged

Steps in numerical sequence (Fig. 18).

Getting to know your appliance

Regulations

The appliance is suitable for cooling and freezing food and for making ice.

The appliance is designed specifically for use in the house.

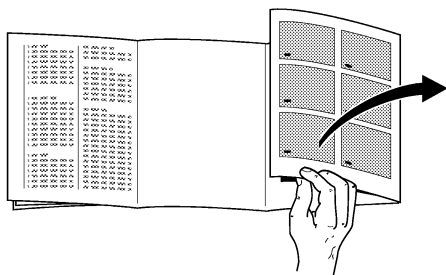
If the appliance is used in the commercial sector, the relevant regulations must be observed.

The appliance corresponds to the Regulations for the Prevention of Accidents for Refrigeration Appliances (VBG 20).

The appliance corresponds to the relevant safety regulations for electrical appliances.

The refrigeration circuit has been checked for leaks.

This unit is produced for free standing applications. It can not be built-in.



Before reading the instructions, please fold out the back pages.

The operating instructions refer to several models. Equipment and details in the diagrams may vary.

Overview

Figure 1a/1b

- 1-8 Control panel
- 9 Rapid freezing compartment
- 10 Ice maker
- 11 Container for ice cubes
- 12 "Chiller" compartment
- 13 Shelf
- 14 Interior light
- 15 Bottle rack
- 16 Humidity regulator for fruit and vegetable container
- 17 Fruit and vegetable container
- 18 Storage compartment for frozen produce
- 19 Egg rack
- 20 Storage compartment for small bottles
- 21 Storage compartments for large bottles, milk cartons, etc.
- 22 Door seal
- A Freezer compartment
- B Refrigerator compartment

The fully automatic No-Frost system prevents ice from forming in the refrigerator and freezer compartments. Defrosting is therefore no longer required.

Function:

The food in the refrigerator and freezer compartments is cooled and frozen by cold air!

An evaporator in the No-Frost system cools the air in the appliance. The cold air is circulated by a fan. The humidity in the air is condensed on the evaporator. If required, the evaporator is automatically defrosted. The condensation is conveyed to the refrigerating unit where it evaporates. The refrigerator and freezer compartments, as well as the food, remain ice-free.

* Not all models

en

Getting to know your appliance

Function of the switching and control elements

Figure 2 control panel

1 On/Off button

Main switch on the appliance used for switching the entire appliance on and off.

2 Temperature selection button, refrigerator compartment

Hold down or repeatedly press button until desired temperature light illuminates.

3 Temperature light

The numerals on the temperature light indicate temperatures in °C. The illuminated light indicates the selected temperature.

4 "Super cooling"

The illuminated light indicates that "super cooling" is on. "Super cooling" reduces the temperature in the refrigerator compartment for 6 hours. Then the appliance automatically switches to the temperature which was selected prior to "super cooling".

Use "super cooling":

- if placing large amounts of fresh food in the refrigerator compartment
- if rapidly cooling drinks

5 Temperature selection button, freezer compartment

Hold down or repeatedly press button until desired temperature light illuminates.

6 Temperature light

The numerals on the temperature light indicate temperatures in °C. The illuminated light indicates the selected temperature.

7 "Alarm" light

Illuminates if the freezer compartment becomes too warm, i.e. the frozen food is at risk of thawing. The light may illuminate without any risk to the frozen food: when the appliance is switched on, if large amounts of fresh food are placed in the freezer compartment, if the door is left open too long when food is put in or taken out of the freezer compartment.

The light goes out when the freezer compartment has reached its operating temperature.

8 "super" button, freezer compartment

Used for switching "fast freeze" on and off. The illuminated button indicates that "fast freeze" is on. "Fast freeze" is used for freezing large quantities of fresh food and, depending on the amount of food, should be switched on up to 24 hours before the food is placed in the freezer compartment. When "fast freeze" has been switched on, the freezer compartment drops to a very low temperature.

"Fast freezing" switches off 50 hours after it was switched on.

Switching ON and setting temperatures

Fig. ②

- **Insert the plug into the socket**

- **Press the main switch 1 on the appliance**

The preselected temperatures +4 °C and -18 °C are displayed.

- **Select the temperature for the refrigerator compartment**

To do this, repeatedly press or hold down the temperature selection button 2 until the desired temperature light illuminates.

- **Selecting the temperature for the freezer compartment**

To do this, repeatedly press or hold down the temperature selection button 5 until the desired temperature light illuminates.

- **Switching on “super cooling”**

Repeatedly press or hold down the temperature selection button 2 until the “super cooling” light illuminates.

Information

- **Excessively warm temperatures in the refrigerator or freezer compartment may occur if..**

- the door has not been closed properly
- fairly large quantities of warm food have been placed in the appliance
- the temperature selectors have been set to +8 °C and -16 °C.
- the air circulation in the refrigerator or freezer compartment is severely impeded by the stored food.
- the doors have been opened frequently at high ambient temperatures

- **Excessively cold temperatures in the refrigerator or freezer compartment may occur if..**

- “super cooling” or “fast freeze” has been switched on.
- the temperature selectors have been set to +2 °C or max.

- The sides of the housing are partially heated to prevent condensation in the area of the door seal.

- If you cannot open the freezer compartment door immediately after closing it, wait 2-3 minutes until the partial vacuum has equalised.

Switching OFF

To switch OFF the appliance, press the main switch, Figure ②/1.

Longer periods of disuse

If the appliance is not to be used for a prolonged period:

Press the main switch, Fig. ②/1, clean the appliance and leave the doors open.

en

Food arrangement

When arranging food, please note

- Allow warm food and drinks to cool outside the appliance.
- If possible, always wrap the food or cover well. The food will then retain its aroma, colour, moisture and freshness. Furthermore, the flavour of one food will not be transferred to another. Only vegetables, fruit and lettuce do not require covering and should be stored in the vegetable containers.
- To ensure that the cooling air circulates efficiently, distribute produce as uniformly as possible in the compartments.
- Do not block the air inlets or outlets with produce, otherwise the air circulation will be impaired.
- Produce which is stored directly in front of the air outlets may freeze due to the outflowing cold air.
- Do NOT allow oil or fat to come into contact with the plastic components or the door seal (otherwise they could become porous).
- Do NOT store any explosive substances in the appliance. Bottles containing a high percentage of alcohol must be sealed and stored upright.
– **EXPLOSION HAZARD!**
- Bottled liquids which can freeze must NOT be stored in the freezer compartment. The bottles will explode during the freezing process.

Example of food arrangement

Figure 1

Freezer compartment (A)

Make and store ice in the **ice maker (10-11)**.

Freeze and store food in the **rapid freezing compartment (9)**.

Store food **on the shelf* and on the base of the freezer compartment**.

Store small amounts of frozen produce and alcoholic drinks containing a high percentage of alcohol in the **storage compartments (18)**.

Refrigerator compartment (B)

Cakes and pastries, ready meals, dairy products on **shelves (13)** from top to bottom.

Vegetables, fruit and lettuce in the **vegetable drawer (17)**.

Small bottles and tins in the **storage compartment (20)**.

Eggs in the **egg rack (19)**.

Large bottles in the **bottle storage compartment (21)**.

Interior fittings

“Chiller” compartment (Fig. 4/12)

Pull the base of the compartment forwards, the flap opens.

The temperature in the “Chiller” compartment is lower than in the refrigerator compartment. Ideal for storing, such as fish, meat and sausage. **Not suitable for salad ingredients, vegetables or cold-sensitive produce.**

Temperature and humidity regulator for vegetable container (Fig. 6/16)

For long-term storage of vegetables, lettuce, fruit; slide the regulator all the way to the left – Ventilation aperture is open –

Temperature drops.

* Not all models

Food arrangement

For short-term storage slide the regulator to the right. Ventilation aperture is closed

– High air humidity –

Temperature rises.

The shelves in the refrigerator compartment can be re-arranged when the door is opened at a 90° angle. Pull the shelf forwards, lower, pull out and re-insert in the desired position (Fig. 5).

All storage compartments and containers in the door can be removed for cleaning.

To remove containers and storage compartments, lift and pull out (Fig. 7).

Bottle holder (Fig. 8/21)

The bottle holder prevents bottles from falling over when the door is opened and closed.

Bottle rack (Fig. 9/15)

Bottles can be placed and stacked securely in the recesses.

* Not all models

Freezing and storing

Purchasing deep-frozen food:

- Ensure that the wrapping is not damaged.
- The best-before date must not have run out.
- The temperature display on the supermarket freezer should be –18 °C or lower.
- Purchase deep-frozen food last, wrap in newspaper or place in a cold bag, take home quickly and place in the freezer compartment.

Freezing food yourself

If you wish to freeze food, use only fresh, undamaged food.

The following foods are suitable for freezing:

Meat and sausage products, poultry and game, fish, vegetables, herbs, fruit, cakes and pastries, pizza, ready meals, leftovers, egg yolk and egg-white.

The following foods are NOT suitable for freezing:

Eggs in shells, soured cream and mayonnaise, green salads, radishes and onions.

Blanching vegetables and fruit

To retain colour, flavour, aroma and vitamin C, vegetables and fruits should be blanched prior to freezing. (Blanching is the brief immersion of vegetables and fruit in boiling water – literature on freezing and blanching is available in bookshops).

en

Freezing and storing

Wrapping food

Pack food in suitable portions for your household.

Vegetables and fruit portions must NOT be heavier than 1 kg; meat portions must NOT be heavier than 2.5 kg. Smaller portions freeze quicker and maximum quality is retained during thawing and preparation.

To prevent food from losing its flavour or drying out, wrap the food in airtight containers.

The following products are suitable for wrapping/packing food:

Plastic film, polyethylene blown film, aluminium foil and freezer boxes. These products can be purchased from your dealer.

The following products are NOT suitable:

Wrapping paper, greaseproof paper, cellophane, refuse bags and used shopping bags.

Wrap up the food. Press out all the air and seal the wrapping.

The following products are suitable for sealing the wrapped food:

Rubber bands, plastic clips, string, cold-resistant adhesive tape or similar. Bags and polyethylene blown film can be sealed with a film sealer.

Before placing the food in the freezer compartment, label and date the wrapped food.

Max. freezing capacity

To retain the vitamins, nutritional value, appearance and flavour, freeze the food as quickly as possible. Do NOT exceed the max. freezing capacity of your appliance.

Within 24 hours the following amounts of food can be frozen at once in the freezer compartment.

3FF4730B max. 6 kg

3FF4735B max. 6 kg

3FF4760B max. 7 kg

3FF4830B max. 6 kg

3FF4860B max. 6.5 kg

Place small amounts (up to 1 kg) of food in the fast freezer compartment, Fig. ①/9. The food will freeze solid very quickly.

Distribute fairly large amounts of food over the bottom of the freezer compartment.

Ensure that frozen food does not come into contact with fresh food. If required, stack the frozen food. This will prevent the frozen food from becoming warm or thawing.

Before placing hot food or drinks in the freezer compartment, leave them to cool down to room temperature.

Fast freeze

If there is already food in the freezer compartment, switch ON Fast freeze several hours before freezing fresh produce.

As a rule, 4–6 hours is adequate. Smaller quantities of food (up to 1 kg) can be frozen without Fast freeze. To switch ON Fast freeze, simply press the “Fast freeze” button, Figure ②/8.

The “super” display indicates that “fast freeze” is on. When “fast freeze” has been switched on, the freezer compartment drops to a very low temperature. “Fast freeze” automatically switches off 50 hours after it was switched on.

Storage period

To retain the quality of the frozen food, do NOT exceed the permitted storage period. The storage period depends on the type of food.

At –18 °C fish, sausage, ready meals and cakes and pastries can be stored for up to 4 months, cheese, poultry and meat up to 6 months, and vegetables and fruit up to 8 months.

Freezing and storing

Thawing frozen food

Depending on the type of food and intended use, frozen products can be thawed:

At room temperature,
In the refrigerator,
In an electric oven,
With/without hot-air fan,
In a microwave.

Thawed meat and fish which has risen above +3 °C for no more than one day (other thawed food for no more than three days) may be refrozen.

Otherwise, if flavour, odour and appearance have changed, make a ready-made meal out of the food and refreeze.

No longer store the frozen produce for the max. storage period.

Making ice

Figure 10/10

1. Take out the ice tray, fill $\frac{3}{4}$ full with water and reinsert.
2. When the ice cubes are frozen, turn the knobs on the ice trays several times in a clockwise direction and release.
The ice cubes are released and fall into the container.
3. Take the ice cubes out of the container.

The ice-cube maker can be attached to the underside of one of the two shelves in the freezer compartment on the left or right* side.

* Not all models

Cleaning

Before cleaning the appliance, ALWAYS pull out the mains plug or disconnect/unscrew the fuse.

NEVER clean the appliance with a steam or steam pressure cleaner. The hot steam may damage the surface and the electrics. – Risk of electric shock!

Cleaning water must NOT drip onto the control fitting or light. Clean the whole appliance, except the door seal, with tepid water containing a mild, lightly disinfecting cleaning agent, e.g. liquid soap. Abrasive and acidic cleaning agents and chemical solvents are NOT suitable.

Wipe the door seal with water only and then dry thoroughly.

en

Power saving tips

- Install the appliance in a cool, well ventilated room, but NOT in direct sunlight and NOT near a heat source (radiator, etc.).
- Do NOT block the ventilation slots on the appliance.
- Allow warm food to cool down before placing in the refrigerator.
- To thaw frozen products, place them in the refrigerator compartment. The low temperature of the frozen products is then used to cool the food in the refrigerator compartment.
- When inserting or removing food from the appliance, open and close the doors as quickly as possible.

Information about operating noises

Operating noises

To keep the selected temperature constant, your appliance occasionally switches ON the compressor.

The resulting noises are quite normal. As soon as the appliance has reached the operating temperature, the noises automatically reduce in volume.

The **humming noise** is emitted by the motor (compressor). When the motor switches ON, the noise may briefly increase in volume.

The **bubbling, gurgling or whirring** noise is emitted by the refrigerant as it flows through the pipes.

The **clicking noise** can always be heard when the thermostat switches ON/OFF the motor.

A clicking noise may occur when

- the automatic defrosting system is active.
- the appliance is cooling down or warming up (material expansion).

If these noises are excessively loud, the causes are probably not serious and are usually very easy to eliminate.

The appliance is not level

Please level the appliance with the aid of a spirit level. Use the height-adjustable feet or place packing under the feet.

The appliance is not free-standing

Please move the appliance away from kitchen units or other appliances.

Drawers, baskets or shelves are loose or stick

Please check the detachable components and, if required, refit them.

Bottles and/or receptacles are touching each other

Please move bottles and/or receptacles away from each other.

Minor problems and how to rectify them yourself

Customer service should NOT be contacted for every fault. Most faults are minor. Therefore, before you call customer service, please check whether you can eliminate the fault yourself based on the following information.

A technician who is called out to rectify a minor fault will charge the customer, even if the appliance is still under guarantee.

If the temperature-selection lights, Figs. 2/3 and 6, do not illuminate:

Please check that the power is on, that the plug has been inserted properly into the socket and that the appliance has been switched on.

If the refrigerator-compartment light does not switch on:

- The bulb is defective. Pull out the mains plug, remove the cover (Fig. 1/b), replace bulb max. 15 W, 220 V, E14 lampholder (Fig. 1/c-d)
- The light switch (Fig. 1/a) is sticking. Check whether it can be moved. If not, please call customer service.

If the “alarm” light illuminates after prolonged operation:

Fault, the freezer compartment is too warm!
Possible causes of the fault:

- The air gap on top of the appliance or in the base has been covered,
- The freezer-compartment door has not been closed properly,
- Fresh food was frozen without “fast freeze”,
- Too much fresh food was frozen at once
- High ambient temperature

When the fault has been eliminated, the “alarm” light goes out as soon as the freezer compartment has reached its operating temperature again.

If the freezer-compartment door was open for a long time and the freezer compartment can no longer reach its set temperature,

the evaporator (reduces the temperature) is iced over to such an extent that the automatic defrosting system can no longer defrost the quantity of ice. In this case take the frozen produce out of the appliance and store well insulated in a cool place. Switch OFF the appliance and leave the freezer-compartment door open. The ice in the cooling system will have thawed after approx. 12 hours. Switch ON the appliance again and put back the frozen produce.

If the fault can still not be eliminated despite the aforementioned information, please call customer service.

Open the doors only when necessary, otherwise the temperature will rise in the freezer compartment.

Do NOT perform any other repairs yourself, especially on the electrical components.

en

Minor problems and how to rectify them yourself **Customer Service**

- **Excessively warm temperatures in the refrigerator compartment or freezer compartment may occur if**
 - the door has not been closed properly.
 - large quantities of warm food have been placed in the refrigerator compartment or freezer compartment.
 - the air circulation in the refrigerator compartment or freezer compartment has been severely impaired by the stored food.
 - the doors were frequently opened at high ambient temperatures.
- If the door is opened frequently at a high ambient temperature and high air humidity, condensation may form in the refrigerator compartment and hoarfrost in the freezer compartment.

Rating plate

Figure 12

When contacting customer service, please quote the E number and the FD number.

Both numbers are indicated on the black-edged panel of the rating plate located in the upper left-hand side of the refrigerator compartment.

The address and the telephone number of customer service can be found in the customer-service directory or in your telephone book.

Sommaire

	Page		Page
Conseils pour la mise au rebut	18	Rangement des aliments	25
Mise au rebut de l'ancien appareil	18	Consignes pour le rangement	25
Mise au rebut de l'emballage du nouvel appareil	18	Exemple de rangement	25
		Modifier l'aménagement intérieur	25-26
Conseils de sécurité et consignes	19	Congeler et stocker les aliments, préparer des glaçons	26
		Consignes pour les achats de produits surgelés	26
Installation de l'appareil	20	Congeler soi-même les aliments	26
Température ambiante	20	Emballage des aliments	26
Lieu d'installation	20	Capacité de congélation	26
Installation	20	Supercongélation	26
Raccordement électrique	20	Durée de stockage	27
Ventilation	20	Décongélation des produits surgelés	27
Après le transport ...	20	Préparation des glaçons	27
Changement du sens d'ouverture des portes	20		
		Nettoyage	27
Présentation de l'appareil	21		
Dispositions	21	Conseils pour économiser de l'énergie	28
Vue générale	21		
Fonctionnement des éléments de commutation et de contrôle	22-23	Bruits de fonctionnement	28
Enclenchement, coupure	23	Remédier soi-même aux petites pannes	29-30
Enclencher l'appareil	23		
Régler la température	23-24	Service après-vente	30
Eteindre l'appareil	24	Plaque signalétique	30
Remisage longue durée de l'appareil	24		

Conseils pour la mise au rebut

Mise au rebut de l'ancien appareil

A respecter lorsque votre nouvel appareil en remplace un ancien.

Rendez les appareils hors d'usage immédiatement inutilisables. Débranchez la fiche mâle de la prise de courant puis sectionnez le câble d'alimentation. Enlevez ou détruisez la serrure à ressort ou le pêne pour éviter que les enfants en jouant ne s'enferment à l'intérieur et s'exposent à un danger de mort.

Les réfrigérateurs et congélateurs contiennent des gaz isolants et des fluides réfrigérants qui nécessitent une mise au rebut adéquate. Ils comportent en outre des matières de valeur qu'il faudra recycler. Pour cette raison, contactez un centre municipal compétent pour la mise au rebut de votre appareil. Pour obtenir des informations plus complètes, veuillez vous adresser à votre municipalité ou à votre revendeur. Prenez garde à ce que le circuit frigorifique de votre réfrigérateur ne soit pas endommagé pendant son transport vers une décharge appropriée et non polluante.

Mise au rebut de l'emballage du nouvel appareil

Tous les matériaux d'emballage utilisés sont compatibles avec l'environnement et recyclables. Les cartons se composent de 80 à 100 % de vieux papiers. Les pièces en bois n'ont reçu aucun traitement chimique.

Les feuilles plastiques sont en polyéthylène (PE), les cerclages en polypropylène (PP) et les rembourrages en polystyrène expansé (PS) exempt de CFC. Ces matériaux sont des composés hydrocarbonés purs et recyclables.

Le retraitement et la réutilisation de l'emballage permettent d'économiser des matières premières et de réduire le volume des déchets.

En Allemagne, vous pouvez rapporter l'emballage, en vue de son recyclage, au revendeur auprès duquel vous vous êtes procuré l'appareil.

Pour obtenir les coordonnées du centre de recyclage pouvant assurer la mise au rebut de votre ancien appareil, prenez contact avec votre mairie.

Vous contribuerez de cette manière à une élimination et à un recyclage de votre appareil respectueux de l'environnement.

Conseils de sécurité et consignes

Avant la mise en service de l'appareil, veuillez lire attentivement et entièrement les informations énoncées dans les notices d'utilisation et de montage. Elles contiennent des remarques importantes concernant l'installation, l'utilisation et l'entretien de l'appareil.

Conservez les notices d'utilisation et de montage. Elles pourront servir ultérieurement à un autre utilisateur.

La fabricant décline toute responsabilité si les conseils suivants ne sont pas respectés:

- N'utilisez jamais de nettoyeur à vapeur pour nettoyer ou dégivrer votre appareil. Si la vapeur entre en contact avec les parties de l'appareil qui se trouvent sous tension, elle provoquera un court-circuit ou vous exposera à des risques d'électrocution.
- N'utilisez jamais d'appareils électriques à l'intérieur de l'appareil.
- Ne mettez pas en service un appareil endommagé. Dans le doute, renseignez-vous auprès du revendeur.
- Branchez et montez l'appareil conformément à la notice de montage. Les conditions de branchement électrique doivent être conformes aux indications figurant sur la plaque signalétique.
- La sécurité électrique de l'appareil est garantie uniquement si le circuit de mise à la terre de votre maison a été posé conformément aux prescriptions en vigueur.
- En cas de panne, lors de l'entretien et du nettoyage, débranchez l'appareil du secteur. Débranchez la fiche mâle de la prise de courant ou coupez le fusible. Tirez sur la fiche et non pas sur le cordon d'alimentation.
- Les réparations des appareils électriques doivent être effectuées uniquement par des spécialistes. Des réparations inexpertes engendrent de graves risques pour l'utilisateur.
- Les boissons fortement alcoolisées doivent être fermées hermétiquement et stockées verticalement. Ne stockez dans l'appareil ni produits contenant des gaz propulseurs inflammables (par ex. bombes de crème Chantilly et bombes aérosols) ni produits explosifs – Risque d'explosion!
- N'endommagez pas les pièces du circuit frigorifique, par ex. en perçant les tuyaux frigorifiques de l'évaporateur avec des objets pointus, en pliant les tuyaux ou en grattant le revêtement des surfaces, etc. Les projections de produit réfrigérant peuvent produire des lésions oculaires.
- Ne couvrez et ne bouchez pas les grilles d'aération de l'appareil.
- Ne vous appuyez pas sur le socle, les clayettes, les portes, etc. et ne vous en servez pas comme marchepied.
- Ne laissez pas les enfants jouer avec l'appareil. Par exemple, ils ne doivent en aucun cas s'asseoir sur les clayettes ou se suspendre à la porte.
- Si votre appareil est équipé en option d'une serrure, gardez la clef hors de portée des enfants.
- Ne portez pas directement à la bouche les esquimaux ou les glaçons qui sortent du compartiment congélateur (Risque de brûlure dû aux températures très basses).
- Porte du réfrigérateur en position fermée, vous observerez un léger mouvement du joint de porte. Ce mouvement ne gêne toutefois aucunement le fonctionnement du réfrigérateur.

Installation de l'appareil

Contrôler la température ambiante

Suivant sa «catégorie climatique» (voir la plaque signalétique), votre appareil peut fonctionner dans les températures ambiantes énoncées ci-après (la plaque signalétique se trouve en haut à gauche dans l'appareil. Fig. 12)

Catégorie climatique	Température ambiante de ... à
SN	+10 °C à 32 °C
N	+16 °C à 32 °C
ST	+18 °C à 38 °C
T	+18 °C à 43 °C

Si la température ambiante descend en-dessous de la plage pour laquelle votre appareil a été conçu, le compartiment réfrigérateur devient trop froid. Si elle monte au-dessus de cette plage, le compartiment congélateur devient trop chaud.

Lorsque la température ambiante descend en-dessous de +2 °C, le dégivrage automatique peut être perturbé.

Lieu d'installation

Pour installer votre appareil, choisissez un endroit sec et bien aéré. Évitez de placer l'appareil à un endroit directement exposé aux rayons solaires ou à proximité d'une source de chaleur telle une cuisinière, un radiateur, etc. Si l'installation près d'une source de chaleur est inévitable, utilisez une plaque isolante appropriée ou respectez les distances minimales suivantes:

3 cm par rapport à une cuisinière électrique, 30 cm par rapport à un appareil de chauffage au fuel ou au charbon.

Si vous placez votre appareil à côté d'un autre réfrigérateur ou congélateur, laissez obligatoirement un espace entre eux d'au moins 2 cm afin d'éviter la formation de condensation.

Installation

L'appareil doit reposer sur un sol dur et plan. Les deux pieds vissables équipant l'avant de l'appareil permettent de compenser les défauts de planéité du sol

Raccordement électrique

Raccordez l'appareil uniquement au secteur alternatif 220–240 V/50 Hz au moyen d'une prise secteur à contacts de terre installée réglementairement. La prise doit être protégée par un fusible/disjoncteur de 10 A minimum.

Si l'appareil est utilisé dans un **pays non européen**, vérifiez si la tension de branchement et ses caractéristiques indiquées sur la plaque signalétique concordent avec celles du secteur. Vous trouverez la plaque signalétique dans le compartiment réfrigérateur en haut à gauche (Fig. 12).

S'il faut changer le cordon d'alimentation secteur, ne confiez cette opération qu'à un spécialiste.

Attention! Ne branchez en aucun cas l'appareil à une «prise économie d'énergie» électronique (par ex. une Sava Plug, Ecoboy) et à un onduleur qui convertit le courant continu en courant alternatif de 230 V (par ex. installations solaires, installations électriques des bateaux).

Ventilation

Fig. 13

L'air entrant en contact avec la paroi arrière de l'appareil se réchauffe et doit pouvoir s'évacuer librement. Sinon le groupe frigorifique se trouverait sollicité plus fortement, ce qui augmenterait la consommation de courant. Pour cette raison, ne recouvrez en aucun cas les grilles d'aération.

Après le transport ...

et avant d'enclencher l'appareil pour la première fois, laissez ce dernier à la verticale pendant une demi-heure environ.

Changement du sens d'ouverture des portes

Exécutez les étapes du changement dans l'ordre chronologique des chiffres (Fig. 14).

Présentation de l'appareil

Dispositions générales

Cet appareil sert à refroidir et congeler des denrées alimentaires, et à fabriquer des glaçons.

Cet appareil est prévu pour l'usage domestique.

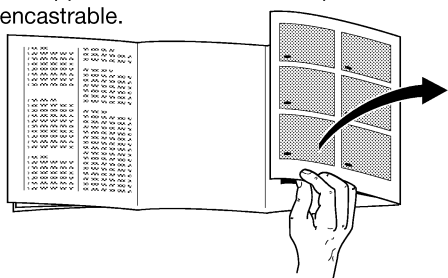
S'il est destiné à servir dans le domaine industriel et commercial, conformez-vous aux prescriptions professionnelles en vigueur.

Cet appareil est conforme à la réglementation nationale préventive des accidents en vigueur dans votre pays et visant les installations de réfrigération.

L'appareil est conforme aux dispositions de sécurité visant les appareils électriques.

Le circuit réfrigérant a été soumis à un essai d'étanchéité.

Cet appareil est un modèle indépendant non encastrable.



Avant de commencer la lecture, veuillez déplier les volets illustrés situés en fin de notice.

Cette notice d'utilisation vaut pour plusieurs modèles d'appareil. De légères différences d'équipement et de détail sont possibles entre les illustrations et votre appareil.

Vue générale

Fig. 1a/1b

- 1-8 **Bandeau de commande**
 - 9 **Compartment de congélation rapide**
 - 10 **Distributeur de glaçons**
 - 11 **Réservoir (glaçons)**
 - 12 **Compartment "fraîcheur"**
 - 13 **Clayette**
 - 14 **Eclairage intérieur**
 - 15 **Clayette à bouteilles**
 - 16 **Régulateur d'humidité pour les bacs à fruits et légumes**
 - 17 **Bacs à fruits et légumes**
 - 18 **Support pour produits congelés**
 - 19 **Balconnet à oeufs**
 - 20 **Support pour petites bouteilles**
 - 21 **Support pour grandes bouteilles, briques de lait, etc.**
 - 22 **Joint de porte**
- A** **Compartment congélateur**
B **Compartment réfrigérateur**

Grâce au système No-Frost entièrement automatique, les compartiments réfrigérateur et congélateur restent exempts de givre. Plus besoin de les dégivrer.

Fonctionnement:

L'air refroidit et congèle les aliments se trouvant respectivement dans le compartiment réfrigérateur et le compartiment congélateur.

L'évaporateur qui fait partie du système No-Frost refroidit l'air à l'intérieur de l'appareil. Un ventilateur brasse l'air froid. L'humidité de l'air se condense au contact de l'évaporateur. Si nécessaire, l'évaporateur se dégivre automatiquement.

L'eau de dégivrage s'écoule jusqu'au groupe frigorifique où elle s'évapore. Les compartiments réfrigérateur et congélateur ainsi que les aliments restent exempts de givre.

* Selon le modèle

Présentation de l'appareil

Fonctionnement des éléments de commutation et de contrôle

Figure 2 Bandeau de commande

1 Touche Marche / Arrêt

L'interrupteur principal de l'appareil sert à enclencher et couper l'ensemble de l'appareil.

2 Touche de réglage de la température du compartiment réfrigérateur

Maintenez la touche enfoncée ou appuyez plusieurs fois jusqu'à ce que le petit voyant lumineux de température désiré s'allume.

3 Petits voyants lumineux de température

Les chiffres affichés au-dessus des petits voyants lumineux de température indiquent la température en degrés Celsius. Le petit voyant éclairé en permanence indique la température réglée.

4 Super-réfrigération

Le petit voyant lumineux qui s'allume indique la mise en service. Une fois la super-réfrigération enclenchée, le compartiment réfrigérateur atteint pendant 6 heures une température plus basse. Ensuite, il revient automatiquement sur la température réglée avant la super-réfrigération.

Utilisez la super-réfrigération :

- Lorsque vous rangez de grandes quantités de produits frais.
- Pour refroidir rapidement les boissons.

5 Touche de réglage de la température, compartiment congélateur

Conservez la touche enfoncée ou appuyez plusieurs fois jusqu'à ce que le petit voyant lumineux de température désiré s'allume.

6 Petit voyant lumineux de température

Les chiffres affichés au-dessus des petits voyants lumineux de température indiquent la température en degré Celsius. Le petit voyant éclairé en permanence indique la température réglée.

7 Petit voyant lumineux "Alarme"

Il s'allume si la température monte trop dans le compartiment congélateur car les aliments risquent de s'abîmer. Il peut également s'allumer temporairement, sans que les aliments risquent de s'abîmer, dans les cas suivants : à la mise en service de l'appareil, après avoir rangé de grandes quantités de produits frais, ou si vous avez laissé la porte ouverte trop longtemps en rangeant ou sortant les aliments.

Il s'éteint lorsque le compartiment congélateur atteint sa température de service.

8 Touche "super", compartiment congélateur

Cette touche sert à enclencher et à éteindre la supercongélation. Elle s'allume à la mise en service de la supercongélation. Utilisez cette dernière pour congeler de grandes quantités d'aliments frais ; en fonction de la quantité, enclenchez-la au plus tôt 24 heures avant de placer les aliments dans l'appareil. Une fois la supercongélation enclenchée, le compartiment congélateur atteint une température très basse.

La supercongélation s'éteint 50 heures après son enclenchement.

Mise en service et sélection de la température

Enclenchement et sélection de la température – Coupure, remisage longue durée de l'appareil

Enclenchement et sélection de la température

Bandeau de commande, figure ②

- Branchez la fiche mâle dans la prise de courant.

- **Appuyez sur l'interrupteur principal 1 de l'appareil.**

Les températures pré-réglées, + 4 °C et – 18 °C, s'affichent.

- **Réglez la température du compartiment réfrigérateur.**

Pour cela, appuyez plusieurs fois sur la touche 2 de réglage de la température ou maintenez-la enfoncée jusqu'à ce que la température désirée apparaisse.

- **Réglage de la température du compartiment congélateur**

Appuyez plusieurs fois sur la touche de réglage de la température 5, ou bien gardez cette touche enfoncée jusqu'à ce que le petit voyant lumineux de température souhaité s'allume.

- **Enclenchement de la super-réfrigération**

Appuyez plusieurs fois sur la touche de réglage de la température, 2 ou bien gardez cette touche enfoncée jusqu'à ce que le petit voyant lumineux indique "super-réfrigération".

Remarques

- **Les compartiments réfrigérateur ou congélateur peuvent présenter des températures trop élevées dans les cas suivants :**

- **La porte n'est pas correctement fermée.**
- Vous avez rangé de grandes quantités d'aliments chauds.

- Vous avez réglé le thermostat sur une température de +8 °C et/ou –16 °C.
- Les aliments rangés gênent sérieusement la circulation de l'air dans le compartiment réfrigérateur ou congélateur.
- Vous avez fréquemment ouvert les portes alors que la température ambiante était élevée.

- **Les compartiments réfrigérateur ou congélateur peuvent présenter des températures trop basses dans les cas suivants :**

- vous avez enclenché la "super-réfrigération" ou la supercongélation ;
- Vous avez réglé le thermostat sur une température de +2 °C et/ou max.

- **Les faces avant du capot sont en partie chauffées pour empêcher l'apparition d'eau condensée près du joint de porte.**

- Après avoir fermé la porte du compartiment congélateur, si vous ne parvenez pas à l'ouvrir à nouveau immédiatement, attendez deux à trois minutes pour que la pression s'équilibre à l'intérieur du compartiment.

Coupure

Appuyez sur l'interrupteur principal, Fig. ②/1; ce geste met l'appareil hors tension.

Mise hors service

Si l'appareil doit rester longtemps sans servir:

Appuyez sur l'interrupteur principal, Fig. ②/1, nettoyez l'appareil et laissez ses portes ouvertes.

Rangement des aliments

Consignes de rangement

- Laissez refroidir les mets et boissons chaudes à l'extérieur de l'appareil.
- Rangez les aliments si possible bien emballés ou bien couverts. Ils garderont ainsi arôme, couleur, teneur en humidité et fraîcheur. Vous évitez également de cette manière que le goût de certains aliments ne se transmette à d'autres. Seul les légumes, fruits et salades peuvent être stockés sans emballage dans le bac à légumes.
- Répartissez les aliments aussi régulièrement que possible dans les tiroirs pour permettre à l'air froid de circuler de façon efficace.
- Pour ne pas gêner la circulation de l'air, ne bloquez pas les orifices d'entrée et de sortie de l'air avec des aliments.
- Si vous entreposez des aliments directement devant les ouvertures de sortie de l'air, l'air froid qui en sort peut les faire geler.
- L'huile et la graisse ne doivent pas entrer en contact avec les pièces en matières plastiques et le joint de porte (ces derniers pourraient sinon devenir poreux).
- N'entreposez pas de matières explosives dans l'appareil. Stockez les boissons fortement alcoolisées en position verticale dans des récipients bien fermés.
– **Risque d'explosion!**
- N'entreposez pas dans le compartiment congélateur des bouteilles remplies de liquide susceptible de geler. Les bouteilles éclateraient sous l'effet du gel.

Exemple de rangement

Fig. ①

Compartiment congélateur (A)

Distributeur de glaçons (10-11) pour préparer et stocker des glaçons.

Compartiment de congélation rapide (9) pour congeler et stocker des aliments.

Clayette* et fond du compartiment congélateur pour stocker les aliments.

Supports (18) pour petits produits congelés et boissons fortement alcoolisées.

Compartiment réfrigérateur (B)

Clayettes (13), de haut en bas: pâtisseries, plats précuisinés, produits laitiers.

Bac (17) pour les légumes, les fruits et la salade.

Support (20) pour les petites bouteilles et les boîtes.

Balconnet (19) pour les oeufs.

Porte-bouteilles (21) pour les grandes bouteilles.

La disposition intérieure

Compartiment "fraîcheur" (Fig. ④/12)

Tirez le bas du compartiment à vous et la trappe s'ouvre.

La température régnant dans le compartiment fraîcheur est plus basse que celle du compartiment réfrigérateur. La température peut descendre en dessous de 0 °C. Elle convient idéalement pour conserver le poisson, la viande et la charcuterie. **Elle ne convient pas à la salade, aux légumes ou aux aliments sensibles au froid.**

* Selon le modèle

Rangement des aliments

Régulateur de température et d'humidité pour le bac à légumes (Fig. 6/16)

Si vous voulez conserver des légumes, de la salade et des fruits pendant longtemps, poussez le régulateur d'humidité complètement à gauche.

– L'orifice de ventilation est ouvert:

la température baisse.

Si vous voulez ranger les produits pendant une courte période, poussez le régulateur complètement à droite. L'orifice de ventilation est fermé.

– Une forte humidité règne dans le compartiment fraîcheur:

la température monte.

Dans le compartiment réfrigérateur, vous pouvez changer les clayettes de place même lorsque la porte est ouverte à 90°. Pour les changer de place, tirez-les à vous, abaissez-les, extrayez-les puis remettez-les en place ailleurs (Fig. 5).

Pour les nettoyer, tous les supports et casiers équipant la porte sont amovibles.

Soulevez les casiers et supports pour les retirer (Fig. 7).

Porte-bouteilles (Fig. 8/21)

Le porte-bouteilles empêche ces dernières de se renverser lorsque vous ouvrez et fermez la porte.

Clayette à bouteilles (Fig. 9/15)

Les auges permettent de déposer et empiler les bouteilles de manière sûre.

Congélation et stockage

Consignes pour les achats de produits surgelés

- Lorsque vous achetez des produits surgelés, vérifiez leur emballage. Il ne doit pas être abîmé.
- Vérifiez la date-limite de conservation. Elle ne doit pas avoir été dépassée.
- La température indiquée par le thermomètre du congélateur commercial ne doit pas être supérieure à -18 °C.
- Achetez les produits surgelés en dernier. Emballez-les dans du papier journal ou utilisez un sac isotherme. Transportez-les rapidement jusque chez vous puis rangez-les immédiatement dans le compartiment congélateur.

Congeler soi-même les aliments

Pour congeler les aliments, n'utilisez que des aliments frais et de qualité.

Se prêtent à la congélation:

La viande et les saucisses, les volailles et le gibier, le poisson, les légumes, les herbes aromatiques, les fruits, les pâtisseries, les pizzas, les plats cuisinés, les restes de plat, le jaune d'oeuf, le blanc d'oeuf.

Ne se prêtent pas à la congélation:

Les oeufs entiers dans leur coquille, la crème fraîche et la mayonnaise, la salade verte, les radis et les oignons.

Le blanchiment des fruits et légumes

Blanchissez les fruits et légumes avant la congélation afin qu'ils conservent couleur, arôme, goût et vitamine C. (Pour cela, plongez les fruits et légumes quelques instants dans l'eau bouillante. Vous trouverez des livres sur la congélation et le blanchiment chez votre libraire).

Congélation et stockage

Emballage des aliments

Répartissez les aliments en portions adaptées à votre ménage puis emballez-les. Le poids de chaque portion ne doit pas dépasser 1 kg pour les fruits et légumes et 2,5 kg pour la viande. Les petites portions congèlent plus rapidement à cœur et les aliments gardent leur qualité après décongélation et préparation.

Emballez les aliments hermétiquement pour éviter qu'ils ne perdent leur saveur ou se dessèchent.

Se prêtent à l'emballage:

Films plastiques, films polyéthylène, feuilles aluminium et boîtes hermétiques. Vous trouverez tous ces articles dans le commerce.

N'utilisez pas:

Le papier d'emballage, le papier sulfurisé, les feuilles de cellophane, les sacs poubelle et les sacs en plastique ayant déjà servi.

Placez les aliments frais dans l'emballage, extrayez l'air puis fermez hermétiquement.

Pour fermer l'emballage, vous pouvez utiliser:

Des élastiques, des clips en plastique, des ficelles, des rubans adhésifs résistant au froid. Vous pouvez obturer les sachets et les feuilles en polyéthylène au moyen d'une thermosoudouse.

Avant de ranger les sacs dans le congélateur, collez dessus une étiquette indiquant le contenu et la date de congélation.

Capacité de congélation maxi.

Les aliments doivent congeler à cœur le plus rapidement possible pour qu'ils conservent vitamines, valeur nutritive, aspect et goût. Pour cette raison, ne dépassez pas la capacité de congélation maximale de votre appareil.

En 24 heures, vous pouvez congeler en une fois les quantités d'aliments suivantes dans le compartiment congélateur

3FF4730B	max. 6 kg
3FF4735B	max. 6 kg
3FF4760B	max. 7 kg
3FF4830B	max. 6 kg
3FF4860B	max. 6.5 kg

Placez de petites quantités (1 kg max.) dans le compartiment de congélation rapide Fig.

①/9. Les aliments congèleront à cœur très rapidement.

Étalez les plus grosses quantités sur le fond du compartiment congélateur. Veillez à ce que ces aliments ne touchent pas les produits déjà congelés ou en cours de congélation. Le cas échéant, empilez les produits congelés. Vous éviterez ainsi que ces derniers s'échauffent ou commencent à décongeler.

Avant de ranger des mets et boissons très chaudes dans le compartiment congélateur, laissez-les refroidir à la température ambiante.

Supercongélation

Si des denrées alimentaires se trouvaient déjà dans l'appareil, enclenchez la supercongélation quelques heures avant de ranger les nouveaux produits à congeler. 4 à 6 heures suffisent généralement.

Cependant, si vous désirez congeler des quantités correspondant à la capacité de congélation maximale, vous devrez enclencher la supercongélation 24 heures avant.

Si vous ne voulez congeler que de petites quantités de produits frais (jusqu'à 1 kg) vous n'avez pas besoin d'enclencher la supercongélation.

Pour enclencher la supercongélation, il suffit d'appuyer sur la touche de supercongélation (Fig. ②/8).

Congélation et stockage / Nettoyage

L'indicateur "super" indique la mise en service. Une fois la supercongélation enclenchée, le compartiment congélateur atteint une température très basse. La supercongélation s'arrête automatiquement 50 heures environ après son enclenchement.

Durée de conservation

Pour maintenir la qualité des aliments surgelés, il importe de ne pas dépasser la durée de stockage admissible.

La durée de stockage dépend de la nature du produit surgelé.

A une température de -18 °C , vous pouvez stocker le poisson, la charcuterie, les plats cuisinés et pâtisseries pendant 4 mois maximum, les fromages, volailles et viandes pendant 6 mois maximum, les légumes et les fruits pendant 8 mois maximum.

Décongélation des produits surgelés

Selon la nature et l'utilisation des produits surgelés, vous pouvez choisir entre plusieurs possibilités:

A température ambiante,
 Dans le réfrigérateur,
 Dans le four électrique,
 Avec/sans chaleur tournante,
 Dans le micro-ondes.

Vous pouvez recongeler des aliments décongelés en partie et totalement si la viande et le poisson ne sont pas restés plus d'une journée et les autres aliments plus de trois jours à une température de $+3\text{ °C}$.

* Selon le modèle

Autrement, et à condition que le goût, l'odeur et l'aspect n'aient pas changés, faites cuire ou rôtir les aliments et congelez à nouveau les mets cuisinés.

Dans ce cas, consommez-les nettement avant la date limite de conservation.

Préparation de glaçons

Fig. 10/10

1. Retirez le bac à glaçons, remplissez-le aux trois quarts avec de l'eau puis remettez-le en place.
2. Une fois les glaçons formés, tournez les poignées des bacs à glaçons plusieurs fois vers la droite puis relâchez-les.
3. Prenez des glaçons dans le réservoir.

Si vous le désirez, vous pouvez accrocher le distributeur de glaçons à votre guise sous l'une des deux clayettes du compartiment congélateur, du côté gauche ou droit*.

Avant de procéder au nettoyage, débranchez toujours la fiche mâle de la prise de courant, ou coupez le disjoncteur/dévissez le fusible.

**N'utilisez pas de nettoyeur à (jet de) vapeur haute pression. La vapeur brûlante pourrait endommager les surfaces et les circuits électriques.
 Risque d'électrocution.**

Pendant le nettoyage, veillez à ce que l'eau de nettoyage ne s'infilte pas dans les éléments de commande et dans l'éclairage. Pour nettoyer l'appareil entier (à l'exception du joint de porte), utilisez de l'eau tiède additionnée d'un produit de nettoyage doux, légèrement désinfectant, comme du liquide pour la vaisselle par exemple. N'utilisez pas de poudres abrasives, récurantes, ni de produits contenant un acide ou des solvants chimiques.

Nettoyez le joint de porte exclusivement avec de l'eau claire puis essuyez-le bien pour le sécher.

Economies d'énergie

- Placez l'appareil dans un local sec et ventilable. Veillez à ce qu'il ne soit pas directement exposé aux rayons solaires et qu'il ne se trouve pas à proximité d'une source de chaleur (par ex. radiateur, chaudière).
- N'obturez pas les orifices d'entrée et de sortie d'air équipant l'appareil.
- Attendez que les boissons et plats chauds aient refroidi avant de les ranger dans l'appareil.
- Rangez les produits surgelés dans le compartiment réfrigérateur pour qu'ils dégèlent. Vous profitez ainsi de leur excédent de froid pour refroidir les aliments déjà présents dans ce compartiment.
- Pour charger et décharger l'appareil, ouvrez ses portes le moins longtemps possible.

Remarques sur les bruits de fonctionnement

Bruits de fonctionnement

Afin que la température choisie reste constante, l'appareil enclenche périodiquement le compresseur. Les bruits qui en résultent proviennent du fonctionnement de l'appareil. Ils diminuent automatiquement dès que l'appareil a atteint la température de service.

Bourdonnements étouffés

Ces bruits normaux proviennent du moteur du compresseur. Ils s'intensifient un peu lorsque le moteur s'enclenche.

Gargouillis et clapotis légers

Ils proviennent de la circulation du fluide réfrigérant dans les serpentins.

Déclics

Ces déclics sont audibles chaque fois que le thermostat ordonne l'enclenchement ou la coupure du moteur.

Des craquements peuvent survenir si ...

- La décongélation automatique se met en marche.
- L'appareil est en train de se refroidir et/ou se réchauffer (dilatation des matériaux).

Si les bruits de fonctionnement deviennent trop forts, vous pouvez peut-être en trouver facilement la cause et les supprimer.

L'appareil n'est pas d'aplomb

Veillez ajuster l'aplomb de l'appareil à l'aide d'un niveau à eau. Pour cela, utilisez les pieds à vis ou placez quelque chose sous l'appareil pour le caler.

Les parois de l'appareil appuient contre quelque chose

Veillez éloigner l'appareil des meubles ou appareils qu'il touche.

Les tiroirs, paniers ou clayettes ne sont pas bien fixés ou au contraire coincés

Vérifiez le bon positionnement des pièces amovibles et remettez-les correctement en place si nécessaire.

Des bouteilles ou récipients placés dans l'appareil se touchent

Dans ce cas, éloignez les bouteilles et récipients légèrement les uns des autres.

Réparer soi-même les petites pannes

Certains dérangements ne requièrent pas forcément l'intervention du service après-vente car leur cause est bien souvent mineure. Avant d'appeler le SAV, vérifiez s.v.p. si les conseils suivants ne vous permettront pas de remédier au problème.

En effet, si vous faites appel à un technicien pour le résoudre, sa visite vous sera facturée au plein tarif même pendant la période de garantie.

Si les petits voyants lumineux de sélection de température, fig. ②/3 et 6 ne s'allument pas :

Veillez vérifier s'il y a du courant, si vous avez correctement branché la fiche mâle dans la prise de courant, et si vous avez enclenché l'appareil.

Si l'éclairage du compartiment réfrigérateur ne fonctionne pas :

- L'ampoule est grillée. Débranchez la fiche mâle de la prise de courant, retirez la coiffe (Fig. ①/b), et changez l'ampoule (15 W maxi, 220 V, douille E14) (Fig. ①/c-d)
- L'interrupteur de l'éclairage est coincé (Fig. ①/a). Vérifiez s'il se déplace facilement. Si tel n'est pas le cas, prévenez le service après-vente.
- L'interrupteur de l'éclairage est coincé. Vérifiez s'il se déplace facilement. Si tel n'est pas le cas, prévenez le service après-vente.

Si le petit voyant lumineux d'alarme s'allume après une longue durée de service :

Il fait trop chaud dans le compartiment congélateur. L'incident peut avoir les causes suivantes :

- L'interstice de passage de l'air en haut de l'appareil et/ou celui situé dans le socle est/sont obstrué(s).
- Vous n'avez pas correctement fermé la porte du compartiment congélateur.
- Vous avez congelé des aliments frais sans enclencher la supercongélation.
- Vous avez congelé trop d'aliments frais en une seule fois.
- La température ambiante est élevée.

Après avoir remédié à l'incident, le petit voyant lumineux d'alarme s'éteint si le compartiment congélateur a regagné sa température de service.

Si la porte du compartiment congélateur est restée longtemps ouverte, le compartiment congélateur n'atteint plus la température sur laquelle il avait été réglé.

Dans ce cas, l'évaporateur (générateur de froid) est tellement givré que le système de dégivrage entièrement automatique ne parvient plus à éliminer toute la quantité de givre formée. Dans ce cas, sortez les produits congelés de l'appareil puis rangez-les bien isolés dans un endroit frais. Eteignez l'appareil et laissez la porte du compartiment congélateur ouverte. Au bout de 12 heures, le givre recouvrant le circuit de réfrigération a fondu. Réenclenchez l'appareil et remettez les produits congelés dedans.

Si la procédure précédemment décrite ne permet pas de remédier à ce dérangement,

fr

Réparer soi-même les petites pannes

prévenez toujours le service après-vente.

N'ouvrez pas inutilement les portes de l'appareil pour éviter une déperdition de froid.

Ne tentez jamais de réparer vous-même en particulier les circuits électriques de l'appareil.

● Il peut faire trop chaud dans le compartiment réfrigérateur ou congélateur si ...

- La porte n'a pas été correctement fermée.
 - Vous avez placé de grosses quantités de produits chauds dans l'appareil.
 - Les aliments entreposés gênent fortement la circulation de l'air dans le compartiment réfrigérateur ou congélateur.
 - Par une température ambiante élevée, vous avez souvent ouvert les portes de l'appareil.
- Si vous ouvrez souvent les portes lorsque la température ambiante et le taux d'humidité de l'air sont élevés, de l'eau de condensation peut se former dans le compartiment réfrigérateur et du givre apparaître dans le compartiment congélateur.

Service après-vente

Plaque signalétique

Fig. 12

Indiquez au technicien du SAV, sur sa demande, les numéros E et FD de l'appareil.

Vous trouverez ces deux numéros dans l'encadré noir de la plaque signalétique située en haut à gauche dans le compartiment réfrigérateur.

Vous trouverez le numéro de téléphone du service après-vente dans le répertoire du service après-vente ou dans l'annuaire téléphonique.

Índice

	Página		Página
Consejos para la eliminación y desguace del embalaje y de los aparatos	32	Colocar y ordenar los alimentos en el aparato	38
Desguace del aparato usado	32	Puntos a tener en cuenta al colocar los alimentos en el frigorífico	38
Evacuación de los materiales de embalaje del aparato nuevo	32	Modificar la disposición de los accesorios en la unidad	39
Consejos de seguridad	33	El equipo interior del frigorífico	39
Instalación de la unidad	34	Congelar y guardar alimentos frescos o ultracongelados, preparar cubitos de hielo	40
Prestar atención a la temperatura del entorno	34	Puntos a tener en cuenta al comprar alimentos ultracongelados	40
Emplazamiento de la unidad	34	Congelar alimentos frescos en casa	40
Conexión del aparato a la red eléctrica	34	Envasado de los alimentos	41
Ventilación del aparato	34	Capacidad máxima de congelación	41
Tras el transporte del aparato	34	Congelación ultrarrápida «Superfrío»	42
Cambiar el sentido de apertura de la puerta	34	Calendario de congelación	42
Familiarizándose con la unidad	35	Descongelación de alimentos	42
Normativas	35	Preparación de cubitos de hielo	42
Vista de conjunto	35	Limpiar el aparato	43
Funcionamiento de los mandos del aparato	36-37	Consejos prácticos para ahorrar energía eléctrica	43
Conexión y desconexión del aparato	37	Advertencias relativas al nivel sonoro del aparato	44
Conexión del aparato	37	Pequeñas averías de fácil solución	45-46
Selección de la temperatura	37	Servicio de Asistencia Técnica	46
Desconexión del aparato	37	Placa de características	46
Paro del aparato	37		

es

Consejos para la eliminación y desguace del embalaje y de los aparatos

Desguace del aparato usado

Antes de deshacerse de su aparato usado y sustituirlo por una unidad nueva, deberá inutilizarlo, desmontando a dicho efecto los cierres o cerraduras de la puerta o inutilizándolos a fin de impedir que los niños, al jugar con la unidad, se encierren en la misma y corran peligro de muerte (asfixia).

Además, los aparatos usados incorporan materiales que se pueden recuperar, entregando el aparato a dicho efecto en un centro oficial de recogida o recuperación de materiales reciclables. Su Distribuidor o Administración local le informará gustosamente sobre las vías y posibilidades más eficaces y actuales para la eliminación respetuosa con el medio ambiente de estos materiales.

Preste atención a que las tuberías del circuito de frío de su aparato no sufran daños ni desperfectos antes de haberlo entregado en el correspondiente Centro Oficial de recogida.

Consejos para la eliminación del embalaje de los aparatos

Todos los materiales de embalaje utilizados son respetuosos con el medio ambiente y pueden ser reciclados o reutilizados. Contribuya activamente a la protección del medio ambiente insistiendo en unos métodos de eliminación y recuperación de los materiales de embalaje respetuosos con el medio ambiente.

Las láminas protectoras transparentes son de polietileno (PE), los flejes de sujeción de polipropileno (PP) y las piezas moldeadas, de poliestirol espumado (PS) libre de clorofluorocarbonos (CFC). Estos materiales constituyen compuestos puros de hidrocarburos y son reciclables.

Mediante el tratamiento y reciclaje o la reutilización de los materiales puede reducirse el consumo de materias primas y el volumen de los residuos y basuras producido.

Contribuya activamente a la protección del medio ambiente insistiendo en unos métodos de eliminación y recuperación de los materiales de las unidades inservibles o desechadas respetuosos con el medio ambiente.

Su Ayuntamiento o Administración local le facilitarán gustosamente las señas del centro de recuperación de materiales más próximo.

Consejos de seguridad

Lea detenidamente las instrucciones de servicio y de montaje de su frigorífico. En éstas se facilitan informaciones y consejos importantes relativos a su seguridad personal, así como a la instalación, el manejo y el cuidado correctos del aparato.

Guarde las instrucciones de servicio y de montaje para un posible propietario posterior.

El fabricante no se responsabiliza en absoluto de eventuales daños y perjuicios que pudieran producirse en caso de incumplimiento por parte del usuario de los consejos y advertencias de seguridad que se facilitan en las presentes instrucciones:

- No utilizar ningún tipo de limpiadora de vapor para limpiar la unidad. El vapor caliente podría penetrar en interior del aparato, accediendo a los elementos conductores de corriente y provocar cortocircuitos o incluso sacudidas eléctricas.
- No usar aparatos eléctricos en el interior de la unidad (por ejemplo calefacciones, heladoras, etc.).
- Si el aparato presentara daños o desperfectos, no deberá ser puesto en funcionamiento. En caso de duda, consultar con el comercio en donde adquirió el aparato.
- Efectuar la instalación y conexión del aparato a la red eléctrica según las correspondientes «Instrucciones de montaje». Los valores de conexión de la red eléctrica (voltaje, corriente alterna, Hz) tienen que coincidir con los detallados en la placa de características del aparato.
- La seguridad eléctrica del aparato sólo queda asegurada si el sistema o circuito de toma de tierra de la instalación doméstica ha sido debidamente instalado.
- En caso de constatar cualquier anomalía o avería, así como al realizar trabajos de mantenimiento o de limpieza del aparato, deberá desconectarse éste de la red eléctrica, extrayendo para ello el enchufe del aparato de la red de corriente, o desactivando el fusible. ¡No tirar del cable de conexión del aparato, sino asirlo siempre por el cuerpo del enchufe!
- Las reparaciones que fuera necesario efectuar sólo podrán ser ejecutadas por técnicos especializados de la marca. Las reparaciones efectuadas de modo erróneo o incorrecto, pueden implicar serios peligros para el usuario.
- No guardar productos combinados con agentes o gases propelentes (expendedores de nata, sprays) ni materias explosivas en el aparato – ¡Existe peligro de explosión!
- No dañar las piezas y elementos componentes del circuito de frío, por ejemplo perforando los conductos del agente refrigerante del evaporador con objetos puntiagudos o doblándolos, o rascando las pinturas de revestimiento. Tenga presente que la salida a chorro del agente refrigerante puede provocar lesiones en los ojos.
- Estando la puerta del frigorífico cerrada se puede percibir un ligero movimiento en la junta de la puerta del frigorífico. Esto no tiene ningún efecto negativo sobre la capacidad de funcionamiento de su aparato.

es

Emplazamiento de la unidad

Prestar atención a la temperatura del entorno

En función de la clase climática a la que pertenezca cada aparato (véase al respecto la placa de características del mismo), éste puede trabajar bajo los siguientes márgenes de temperatura del entorno: (La placa de características se encuentra en la parte izquierda del interior). (Figura 12)

Clase climática	Temperatura del entorno de ... hasta
SN	+10 °C hasta 32 °C
N	+16 °C hasta 32 °C
ST	+18 °C hasta 38 °C
T	+18 °C hasta 43 °C

En caso de descender la temperatura ambiente por debajo del margen de temperatura inferior reseñado, la temperatura en el interior del frigorífico desciende en exceso (demasiado frío). En caso de superar la temperatura del entorno los márgenes de temperatura superiores, la temperatura en el interior del compartimento de congelación aumenta en exceso (demasiado calor).

A partir de una temperatura del entorno inferior a +2 °C, pueden producirse averías o perturbaciones en la función de descongelación automática del aparato.

Emplazamiento de la unidad

El lugar más adecuado para el emplazamiento de la unidad combinada frigorífico-congelador es una habitación seca, dotada de una buena ventilación. Recuerde además que el aparato no debe instalarse de forma que reciba directamente los rayos del sol, ni encontrarse tampoco próximo a focos activos de calor tales como cocinas, calefacciones, etc. No obstante, si esto último fuera inevitable, se habrá de proteger la unidad con un panel aislante adecuado, o bien observar las siguientes distancias mínimas de separación con respecto a la fuente de calor en cuestión:

Cocinas eléctricas, 3 cm
Cocinas de gas-oil o de carbón, 30 cm

En caso de instalar el aparato junto a otro aparato de refrigeración o congelación, deberá observarse una distancia mínima de separación lateral de 2 cm, a fin de evitar la formación de agua de condensación.

El aparato deberá asentarse firmemente sobre un piso o base plana y horizontal. Las

posibles irregularidades del suelo se pueden compensar con ayuda de los soportes roscados del frontal del aparato.

Conexión eléctrica

Conectar la unidad sólo a una red eléctrica de corriente alterna de 220–240 V/50 Hz a través de una toma de corriente instalada reglamentariamente y provista de puesta a tierra. La toma de corriente debe estar protegida con un fusible de 10 amperios como mínimo.

En los aparatos destinados a países **fuera del continente europeo** deberá verificarse si los valores de la tensión de conexión y el tipo de corriente que figuran en la placa de características del aparato coinciden con los de la red nacional. La placa de características se encuentra en la parte izquierda del interior. (Fig. 12).

En caso de que fuera necesario sustituir el cable de conexión a la red eléctrica del aparato, esto sólo deberá ser ejecutado por un técnico especializado de la marca.

¡Atención! No conectar el aparato en ningún caso a conectores electrónicos para ahorro energético (por ejemplo Sava Plug, Eceboy, etc.) ni tampoco a rectificadores inversos que transforman la corriente continua en corriente alterna de 230 V (por ejemplo instalaciones de energía solar, redes eléctricas de buques).

Ventilación

Figura 13

El aire recalentado en la pared posterior del aparato debe poder escapar libremente. De lo contrario, el aparato tendrá que aumentar su rendimiento, provocando un consumo de energía eléctrica elevado e inútil. Por esta razón habrá que prestar particular atención a que las aberturas de ventilación y aireación no estén nunca obstruidas.

Tras el transporte

dejar reposar el aparato en posición vertical durante media hora antes de conectarlo por vez primera.

Cambio del sentido de apertura de las puertas

Efectuar las operaciones siguiendo el orden de sucesión de las cifras. (Fig. 14).

Familiarizándose con la unidad

Normativas

El aparato ha sido diseñado para la refrigeración y congelación de alimentos, así como para la preparación de cubitos de hielo.

Esta unidad combinada frigorífico-congelador está destinada al uso exclusivo en el ámbito doméstico.

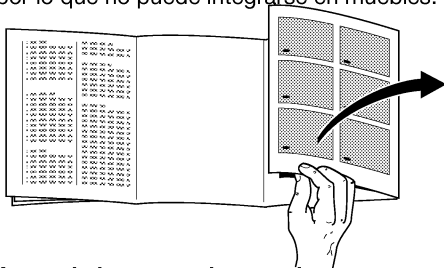
En caso de utilizarla para fines industriales, deberán tenerse en cuenta las correspondientes normas y disposiciones.

El aparato cumple las «Normas alemanas de prevención de accidentes provocados por equipos e instalaciones frigoríficas VBG 20».

Este aparato cumple estrictamente lo dispuesto en las normativas de seguridad vigentes para electrodomésticos.

La estanqueidad del circuito de refrigeración viene verificada de fábrica.

Este aparato es un modelo independiente, por lo que no puede integrarse en muebles.



Antes de leer estas instrucciones, despliegue las últimas páginas con las ilustraciones.

Las presentes instrucciones de servicio son válidas para diferentes modelos de aparato; por ello puede ser posible que se describan detalles y características de equipamiento que no concuerdan con las de su aparato concreto.

Vista de conjunto

Figura 1a/1b

- 1-8 Cuadro de mandos
- 9 Compartimento para congelación ultrarrápida
- 10 Cubitera
- 11 Depósito (cubitos de hielo)
- 12 Compartimento fresco
- 13 Bandejas
- 14 Iluminación interior
- 15 Bandeja portabotellas
- 16 Regulador de humedad para el cajón de la fruta y verdura
- 17 Cajón para la fruta y verdura
- 18 Estante para guardar productos congelados
- 19 Elemento portahuevos
- 20 Estante para botellas pequeñas
- 21 Estante para guardar botellas grandes, briks de leche, etc.
- 22 Junta de la puerta
- A Compartimento de congelación
- B Frigorífico

Mediante el sistema automático No-Frost (frío seco), no se forma escarcha ni hielo en el interior del congelador. El desescarchado del aparato ya no es necesario.

Funcionamiento:

Los alimentos son refrigerados o congelados mediante el aire refrigerado, según se encuentren en el frigorífico o en el compartimento de congelación.

Un evaporador instalado en el sistema «No-frost» refrigera el aire. Un ventilador se encarga de hacer circular el aire frío. La humedad contenida en el aire se precipita en el evaporador. El evaporador es descongelado automáticamente en caso necesario.

El agua de descongelación es transportada hasta el grupo frigorífico, donde se evapora. El interior del frigorífico o del compartimento de congelación y los alimentos quedan libres de hielo

* No disponible en todos los modelos

Familiarizándose con la unidad

Función de los elementos de mando y control

Figura 2 Cuadro de mandos

1 Tecla para conexión y desconexión

Interruptor principal del aparato, para conectar y desconectar el aparato completo.

2 Tecla de regulación de la temperatura en el interior del frigorífico

Pulsar la tecla constante o repetidamente, hasta que se ilumine el piloto de aviso correspondiente a la temperatura deseada.

3 Pilotos de aviso para la temperatura

Los valores de los pilotos indican las temperaturas, en °C. El piloto iluminado indica en cada caso la temperatura actual seleccionada.

4 Función 'super-cooling' para enfriamiento ultrarrápido del interior del frigorífico

El piloto de aviso se ilumina al activar la función. Mediante la función 'super-cooling' para enfriamiento ultrarrápido se enfría el frigorífico durante 6 horas hasta alcanzar una temperatura más baja, conmutando a continuación a la temperatura ajustada con anterioridad a la activación de la opción.

5 Tecla de regulación de la temperatura en el interior del compartimento de congelación

Pulsar la tecla constante o repetidamente, hasta que se ilumine el piloto de aviso correspondiente a la temperatura deseada.

6 Pilotos de aviso para la temperatura

Los valores de los pilotos indican las temperaturas, en °C. El piloto iluminado indica en cada caso la temperatura actual seleccionada.

7 Piloto «alarma»

se ilumina sólo cuando la temperatura en el interior del compartimento de congelación es demasiado elevada, es decir, los productos congelados almacenados en el mismo corren peligro de descongelarse.

El piloto se puede iluminar, sin significar por ello ningún peligro de deterioro inmediato de los alimentos, al poner en marcha el aparato, al introducir grandes cantidades de alimentos frescos en el compartimento de congelación, así como al permanecer abierta la puerta del congelador durante un tiempo prolongado al retirar o introducir alimentos en el mismo.

El piloto se apaga una vez que en el compartimento de congelación se ha alcanzado la temperatura normal de servicio.

8 Tecla «Super» para la opción «Supercongelación»

Sirve para activar y desactivar la congelación ultrarrápida. La activación de esta opción es señalada a través de la iluminación de la tecla. Con esta función se pueden congelar simultáneamente grandes cantidades de alimentos, debiéndose activar, en función de las cantidades concretas de alimentos que se desean congelar, hasta 24 horas antes de introducir los alimentos frescos en el compartimento de congelación. Activando esta función se alcanzan en el interior del compartimento de congelación unas temperaturas muy bajas (gran frío).

La función de congelación ultrarrápida se desactiva automáticamente pasadas 50 horas tras su activación.

Conexión del aparato a la red eléctrica / Seleccionar la temperatura / Conexión y desconexión, paro del aparato

Figura ② Cuadro de mandos

- **Introducir el enchufe del aparato en la toma de corriente prevista.**

- **Pulsar el interruptor principal 1**

El aparato señala las temperaturas preajustadas: «+4°C» y «-18°C».

- **Ajustar la temperatura interior del frigorífico**

Pulsar la tecla de regulación de la temperatura 2 repetidamente o de modo continuo, hasta ajustar la temperatura deseada.

- **Ajustar la temperatura interior del compartimento de congelación**

Pulsar la tecla de regulación de la temperatura 5 repetidamente o de modo continuo, hasta ajustar la temperatura deseada.

- **Activar la función 'super-cooling' para enfriamiento ultrarrápido**

Pulsar la tecla de regulación de la temperatura 2 repetidamente o de modo continuo, hasta que se ilumine el piloto de aviso correspondiente a la función 'super-cooling'.

Advertencias:

- **La temperatura en el interior del frigorífico o el compartimento de congelación puede aumentar (más calor) en caso de**

- no haber cerrado correctamente la puerta
- haber introducido grandes cantidades de alimentos calientes en el aparato
- estar ajustados los mandos de regulación de la temperatura en los valores de +8°C ó -16°C.
- encontrarse obstaculizada la libre circulación del aire en el interior del frigorífico o el compartimento de congelación

- haber abierto con gran frecuencia las puertas del aparato registrándose una elevada temperatura ambiente

- **La temperatura en el interior del frigorífico o el compartimento de congelación puede descender (más frío) en caso de**

- estar activadas las funciones 'super-cooling' o «supercongelación»
- estar ajustados los mandos de regulación de la temperatura en los valores de +2°C ó max.

- **Los lados frontales del cuerpo del aparato son calentados ligeramente. De este modo se impide la formación de agua de condensación en la zona de la junta de la puerta.**

- Si tras cerrar la puerta del compartimento de congelación, ésta no se pudiera volver a abrir inmediatamente, ello se debe a que, cuando se abre la puerta, se crea una cierta depresión en el interior del aparato. Por lo tanto, cuando se produzca tal situación deberá aguardarse unos dos a tres minutos antes de abrir la puerta, a fin de permitir que la depresión sea compensada.

Desconectar el aparato

Pulsar el interruptor principal (Fig. ②/1). El aparato queda desconectado.

Paro del aparato

En caso de largos períodos de inactividad de la unidad:

Pulsar el interruptor principal (Fig. ②/1). Limpiar el aparato. Dejar las puertas abiertas.

Colocación de alimentos

Puntos a tener en cuenta al colocar los alimentos en el aparato

- Dejar enfriar los alimentos o bebidas calientes hasta temperatura ambiente antes de introducirlos en la unidad.
- Colocar los alimentos empaquetados o bien cubiertos en la unidad. De este modo se evita que los alimentos de deshidraten, descoloren o pierdan su valor nutritivo y aroma. Además se evita la mezcla de olores y sabores. Las verduras, frutas y hortalizas se pueden guardar en los cajones para las verduras, sin necesidad de envolverlas.
- Distribuir regularmente los alimentos por los compartimentos y bandejas, a fin de asegurar la libre y eficaz circulación del aire.
- No obstruir las aberturas de entrada y salida del aire con alimentos, a fin de no bloquear la libre circulación del aire por el interior del aparato.
- Los alimentos colocados inmediatamente delante de las aberturas de salida del aire, pueden resultar congelados a causa del aire frío que sale por dichas aberturas.
- No permitir que las grasas y aceites entren en contacto con los elementos de plástico del interior del frigorífico o la junta de la puerta. El plástico y la junta de goma son materiales muy susceptibles a la porosidad.
- No guardar ni almacenar materias explosivas en el interior de la unidad. Tenga presente que las bebidas con un alto grado de alcohol necesitan envases con cierre hermético; además se deberán colocar siempre en posición vertical.
– **¡Peligro de explosiones!**
- No guardar en el compartimento de congelación botellas ni tarros o latas que contengan líquidos, particularmente bebidas gaseosas. ¡Las botellas y latas pueden estallar!

Ejemplo de la disposición de los accesorios en la unidad

Figura 1

Compartimento de congelación (A)

En la **cubitera (10-11)**, preparar y conservar cubitos de hielo.

En la **bandeja* de congelación ultrarrápida (9)**, congelar y guardar alimentos.

En la **bandeja y el fondo del compartimento de congelación**, conservar alimentos congelados.

En los **estantes (18)**, guardar alimentos congelados de pequeño tamaño, bebidas con un elevado contenido de alcohol.

Frigorífico (B)

Colocar sobre las **bandejas (13)**, de arriba hacia abajo, pan y bollería, platos cocinados, productos lácteos.

En el **cajón para la verdura (17)**, verduras y hortalizas, frutas y lechugas.

En el **estante (20)**, pequeñas botellas, latas.

En el **portahuevos (19)**, los huevos.

En el **estante (21)**, las botellas grandes.

* No disponible en todos los modelos

Colocación de alimentos

El equipo interior del frigorífico

Compartimento fresco (Fig. 4/12)

Desplazar el fondo del compartimento hacia adelante. La tapa se abre.

Como en el compartimento fresco las temperaturas son inferiores (más frías) que en el frigorífico, es la zona ideal para conservar alimentos sensibles como pescado, carne y embutido. **¡No guardar en este compartimento lechugas, verduras u otros alimentos sensibles a las bajas temperaturas!**

Regulador de la temperatura y el grado de humedad en el cajón para la verdura (Fig. 6/16)

Para conservar la verdura, las lechugas y la fruta durante largo tiempo. Desplazar el mando regulador completamente hacia la izquierda – La abertura de ventilación está abierta: Existe un bajo grado de humedad en los cajones y **la temperatura en el cajón de verdura es más baja.**

Para conservar los alimentos frescos durante un período corto, desplazar el mando regulador completamente hacia la derecha – La abertura de ventilación está cerrada: Existe un elevado grado de humedad en el cajón y **la temperatura en el cajón de verdura es más alta.**

Las bandejas del frigorífico se pueden cambiar de sitio y posición estando abierta la puerta del aparato en un ángulo de 90°: Desplazar para ello las bandejas hacia adelante, inclinarlas hacia abajo, retirarlas de su emplazamiento y colocarlas en la nueva posición. (Fig. 5).

Todos los soportes y estantes de la cara interior de la puerta pueden extraerse de su posición para limpiarlos.

Para extraerlos deberán levantarse primero. (Fig. 7).

Soporte para las botellas (Fig. 8/21)

El soporte para las botellas evita que éstas vuelquen al abrir y cerrar la puerta.

Bandeja portabotellas (Fig. 9/15)

En las cavidades de la bandeja se pueden colocar y apilar con toda seguridad las botellas.

es

Colocación de alimentos,

Puntos a tener en cuenta al comprar alimentos ultracongelados

- Prestar atención a que la envoltura del alimento o producto congelado no presente ningún tipo de daño.
- Verifique la fecha de caducidad de los alimentos. Cerciórese de que ésta no ha vencido.
- La indicación de la temperatura del congelador del establecimiento en donde adquiera los alimentos deberá señalar un valor mínimo de $-18\text{ }^{\circ}\text{C}$.
- Al hacer la compra, recuerde que conviene adquirir los alimentos congelados en el último momento. Procure transportarlos directamente a casa envueltos en un papel de periódico o en una bolsa isotérmica. Una vez en el hogar, deberá colocarlos inmediatamente en el congelador doméstico.

Congelar y guardar los alimentos

Congelar alimentos frescos en casa

Si decide congelar usted mismo los alimentos, utilice únicamente alimentos frescos y en perfectas condiciones.

Alimentos adecuados para la congelación

Carnes y fiambres, aves y caza, pescado, legumbres, verduras y hortalizas, hierbas aromáticas, fruta, pan, bollería y repostería, pizza, platos cocinados, restos de comidas, yemas y claras de huevos.

Alimentos que no deben congelarse

Huevos enteros en su cáscara, nata fresca acidulada y mahonesa, lechugas, rábanos, rábanos picantes y cebollas.

Blanqueado (escaldado) de verduras, frutas y legumbres

En el caso de las verduras, frutas y legumbres es importante blanquearlas (escaldarlas) antes de su congelación, para que su sabor, aroma o color no se deteriore, no pierdan tampoco su valor nutritivo y conserven al máximo su contenido de vitamina «C». (Las frutas y verduras se blanquean sumergiéndolas unos momentos en agua hirviendo. – Más detalles sobre este método podrán hallarse en cualquier libro o manual de cocina que trate los aspectos de la congelación de alimentos y en donde se describa el método del blanqueado.)

Congelar y guardar los alimentos

Envasado de los alimentos

Envasar los alimentos en porciones (paquetes) adecuadas al tamaño de las necesidades normales de su hogar. Los paquetes de verduras y fruta no deberán pesar más de 1 kg, los de carne pueden llegar hasta 2,5 kg. Las porciones de menor tamaño se congelan con mayor rapidez, quedando así completamente preservada la calidad al descongelar el producto y prepararlo.

Envasar los alimentos herméticamente para que no se deshidraten o pierdan su sabor.

Materiales indicados para el envasado de los alimentos

Láminas de plástico, bolsitas y láminas de polietileno, papel de aluminio, cajitas y envases específicos para la congelación de alimentos. Todos estos productos y materiales se pueden adquirir en la mayoría de los supermercados, grandes almacenes o en el comercio especializado.

Materiales no apropiados para el envasado de alimentos

Papel de empaquetar, papel apergaminado, celofán, bolsas de la basura y bolsitas de plástico de la compra ya usadas.

Introducir los alimentos en la envoltura prevista a dicho efecto, procurando eliminar todo el aire que pudiera haber en el envase. Cerrarlo herméticamente.

Materiales apropiados para el cierre de los envases

Gomitas, clips de plástico, bramante, cinta adhesiva incongelable, etc. Las bolsitas o láminas de plástico de polietileno se pueden termosellar con una soldadora de plásticos.

Antes de introducir los alimentos en el congelador, marcar claramente los envases, indicando su contenido y la fecha de congelación.

Capacidad máxima de congelación

Para que los alimentos conserven su valor nutritivo, vitaminas y buen aspecto hay que congelar el centro lo más rápidamente posible. Por esta razón no deberá superarse la máxima capacidad de congelación del aparato.

En el compartimento de congelación se pueden congelar en 24 horas simultáneamente las siguientes cantidades de alimentos:

3FF4730B	max. 6 kg
3FF4735B	max. 6 kg
3FF4760B	max. 7 kg
3FF4830B	max. 6 kg
3FF4860B	max. 6.5 kg

Introducir las cantidades pequeñas de alimento (hasta 1 kg) en el compartimento para congelación rápida Fig. ①/9. Los alimentos se congelan con gran rapidez.

Las grandes cantidades de alimento se colocan distribuyéndolos uniformemente sobre el fondo del compartimento de congelación.

Procurar que los alimentos congelados que ya hubiera en su congelador no entren en contacto con los alimentos frescos que se desean congelar. Cambiar los alimentos congelados de sitio o apilarlos en caso necesario. De esta manera se evita el calentamiento o la descongelación de los alimentos congelados.

Dejar enfriar los alimentos o bebidas calientes hasta temperatura ambiente antes de introducirlos en el congelador.

es

Congelar y guardar los alimentos

Congelación ultrarrápida («Superfrío»)

En caso de guardar productos ya congelados en el congelador, deberá activarse la opción «Superfrío» varias horas antes de colocar los alimentos frescos en el congelador.

En general basta activar dicha opción con 4-6 horas de antelación. Pequeñas cantidades de alimentos (hasta 1 kg) se pueden congelar sin necesidad de activar la congelación ultrarrápida. Para activar la opción congelación ultrarrápida, basta con pulsar la tecla «Super» (Fig. 2/8).

El piloto de aviso «super» se ilumina al activar la función de congelación ultrarrápida. Con la activación de esta opción se alcanzan en el interior del compartimento de congelación unas temperaturas muy bajas (gran frío). La función de congelación ultrarrápida se desactiva automáticamente pasadas 50 horas tras su activación.

Calendario de congelación

Para evitar pérdidas de calidad y valor nutritivo de los alimentos congelados, es necesario consumirlos antes de que caduque su plazo máximo de conservación. El plazo de conservación varía en función del tipo de alimento congelado.

A una temperatura $-18\text{ }^{\circ}\text{C}$, el pescado, el embutido y los platos cocinados, así como el pan y la bollería se pueden conservar hasta 4 meses; el queso, las aves y la carne, hasta 6 meses y la fruta y verdura, hasta 8 meses.

Descongelación de alimentos

Según el tipo y la naturaleza de su uso, se puede elegir entre los siguientes procedimientos

Temperatura ambiente,
En el frigorífico,
En un horno eléctrico,
Con/sin calentador de aire,
Con horno microondas.

Los alimentos que se hayan descongelado o hayan empezado a descongelarse, se podrán volver a congelar teniendo en cuenta lo siguiente: En caso de las carnes y los pescados, sólo podrán volverse a congelar si no han permanecido más de un día, en caso de otros productos, tres días, expuestos a una temperatura superior a los $+3\text{ }^{\circ}\text{C}$.

De lo contrario, verificar si el aroma, aspecto y color de los alimentos son satisfactorios. Si no se constata ninguna alteración, asar, freír, hervir o preparar con ellos platos cocinados, antes de volver a congelarlos.

En este caso no se deberá agotar al máximo el tiempo de caducidad de los productos.

Preparación de cubitos de hielo

Figura 10/10

1. Extraer la cubitera de su emplazamiento. Llenar las $3/4$ partes de la cubitera de hielo con agua. Colocarla en su emplazamiento.
2. Una vez que se han formado los cubitos de hielo, girar repetidas veces las asas de la cubitera hacia la derecha y soltarlas. Los cubitos de hielo caen por sí mismos en el depósito previsto a tal efecto.
3. Retirar los cubitos de hielo del depósito.

El dispensador de cubitos de hielo se puede enganchar indistintamente en la parte inferior izquierda o derecha* de una de los dos bandejas o rejillas de congelación del compartimento de congelación.

* No disponible en todos los modelos

Limpeza de la unidad

Antes de realizar cualquier trabajo de limpieza, extraer el enchufe del aparato de la toma de corriente de la red o desconectar el fusible.

No utilizar ningún tipo de limpiadora de vapor. El vapor caliente podría dañar las superficies del aparato o su instalación eléctrica. ¡La seguridad eléctrica de su aparato podría resultar seriamente afectada!

– ¡Peligro de descargas eléctricas!

Téngase presente que el agua empleada en la limpieza del aparato no debe penetrar en el cuadro de mandos ni entrar en contacto con la iluminación. A excepción de la junta de la puerta, podrá emplearse agua tibia con algo de detergente desinfectante, como por ejemplo un lavavajillas manual suave. En ningún caso deberán emplearse arenilla, agentes frotadores o limpiadores con ácidos o disolventes químicos.

La junta de la puerta, por su parte, se limpiará sólo con agua clara, secándola bien a continuación.

Consejos prácticos para ahorrar energía eléctrica

- Emplazar el aparato en una habitación seca y fresca, dotada de una buena ventilación. Recuerde además que el aparato no debe instalarse de forma que reciba directamente los rayos del sol, ni encontrarse tampoco próximo a un foco activo de calor tal como cocinas, calefacciones, etc.
- Prestar atención a que las aberturas de ventilación y aireación no estén nunca obstruidas.
- Dejar enfriar los alimentos o bebidas calientes hasta temperatura ambiente antes de introducirlos en el congelador.
- Descongelar los productos congelados colocándolos, por ejemplo en el frigorífico. De este modo se aprovecha el frío acumulado en el alimento para refrigerar los alimentos frescos del frigorífico.
- Al introducir o retirar alimentos del aparato, procurar no mantener abierta la puerta durante demasiado tiempo.

es

Advertencias sobre los ruidos de funcionamiento del aparato

Ruidos de funcionamiento del aparato

Con objeto de mantener constante la temperatura en el interior de su frigorífico, el compresor se conecta de tiempo en tiempo. Esto origina unos ruidos que son perfectamente naturales y se deben a razones técnicas. Tan pronto como el aparato ha alcanzado la temperatura de servicio, la intensidad de estos ruidos disminuye sensiblemente.

Unos ruidos como de **murmullos sordos** son inevitables durante el funcionamiento del compresor. Pueden aumentar brevemente de intensidad al conectarse el motor (compresor) del aparato.

Los **ruidos en forma de gorgoteo** se producen al penetrar el líquido refrigerante en los tubos delgados una vez que ha entrado en funcionamiento el compresor.

Unos breves **ruidos en forma de clic** sólo se escuchan cuando el termostato conecta y desconecta el compresor.

Unos ruidos en forma de chasquido pueden surgir ...

- durante el ciclo de desescarchado del aparato
- al enfriarse o calentarse el aparato (dilatación del material)

En caso de alcanzarse un nivel sonoro excesivamente elevado durante el funcionamiento del frigorífico, ello tal vez tenga una fácil solución.

El aparato se encuentra en posición desnivelada

Verificar la posición del aparato con ayuda de un nivel de burbuja y nivelarlo con los soportes roscados que incorpora o calzándolo.

En caso de estar el aparato en contacto con muebles u otros aparatos

Separarlo de los muebles o aparatos con los que estuviera en contacto.

Los cajones, estantes y soportes oscilan o están agarrotados

Revisar los elementos afectados. En caso necesario, volverlos a colocar en su posición correcta.

Las botellas o los recipientes en el aparato entran en contacto mutuo

Separar algo las botellas y los recipientes.

Pequeñas averías de fácil solución

Hay pequeñas anomalías que no suponen necesariamente la existencia de una avería y, por consiguiente, no requieren la intervención del Servicio de Asistencia Técnica. Con frecuencia se trata de pequeñas anomalías fáciles de subsanar. Para evitar una intervención innecesaria del servicio técnico, compruebe si la avería o fallo que usted ha constatado se encuentra recogida en los siguientes consejos y advertencias.

De este forma se evitará usted gastos innecesarios, dado que en estos casos, los gastos del técnico no quedan cubiertos por las prestaciones del servicio de garantía.

Cuando los pilotos indicadores de la temperatura seleccionada (Fig 2/3 y 6) no se iluminan

Verificar si llega corriente al aparato. Verificar si el enchufe se asienta correctamente en la toma de corriente y si se ha conectado la unidad.

Cuando la iluminación interior del frigorífico no funciona:

- La bombilla está fundida: Extraer el enchufe del aparato de la toma de corriente. Retirar la tapa protectora (Fig. 11/b). Sustituir la bombilla fundida por una nueva de 15 W como máximo y 220 V, base E 14. (Fig. 11/c-d)
- El interruptor de la iluminación (Fig. 11/a) está agarrotado. Verificar si se puede mover. En caso negativo, avisar al Servicio de Asistencia Técnica.

- El interruptor de la iluminación está agarrotado. Verificar si se puede mover. En caso negativo, avisar al Servicio de Asistencia Técnica.

Cuando el piloto «Alarma» se ilumina tras largo funcionamiento del congelador:

Avería. ¡La temperatura en el interior del compartimento de congelación es demasiado elevada! Posible causa de la avería:

- Las rendijas de ventilación emplazadas en la parte superior o el zócalo del aparato están obstruidas.
- La puerta del compartimento de congelación no está bien cerrada
- Se han introducido alimentos frescos en el compartimento de congelación sin activar la opción de congelación ultrarrápida
- Se ha introducido una cantidad excesiva de alimentos frescos en el compartimento de congelación
- Se registra un elevada temperatura del entorno

Tras subsanar la avería, el piloto se apaga una vez que en el compartimento de congelación se ha alcanzado la temperatura normal de servicio.

es

Pequeñas averías de fácil solución

Cuando la puerta del compartimento de congelación ha permanecido abierta durante un tiempo prolongado y en el interior del compartimento de congelación no se alcanza la temperatura seleccionada,

podría ser que en el evaporador se hubiera acumulado una cantidad tal de escarcha o hielo que la función de descongelación automática ya no es capaz de eliminar. En este caso hay que retirar los alimentos congelados del compartimento de congelación y guardarlos, envueltos en varias capas de papel de periódico o en una manta, en un lugar lo más frío posible. Desconectar el aparato. Dejar abierta la puerta del congelador. Al cabo de unas doce horas, la escarcha acumulada en el evaporador se ha descongelado. Conectar el aparato a la red eléctrica e introducir los alimentos congelados en el compartimento de congelación.

Si la avería persistiera y no se pudiera subsanar en función de los consejos y advertencias anteriores, deberá avisarse al Servicio de Asistencia Técnica.

No abra las puertas del aparato inútilmente, a fin de evitar al máximo las pérdidas de frío.

No proseguir con los intentos de reparar por sí mismo el aparato. Muy particularmente no deberá tocarse la instalación eléctrica del mismo.

● **La temperatura en el interior del frigorífico o el compartimento de congelación puede ser demasiado elevada (excesivo calor), en caso ...**

- de no estar cerrada correctamente la puerta
- de introducir una gran cantidad de alimentos frescos

Servicio de Asistencia Técnica

- de obstruir los alimentos introducidos en el frigorífico o el compartimento de congelación la libre circulación del aire
- de abrir con gran frecuencia la puerta del aparato registrándose una temperatura ambiente elevada
- En caso de abrir las puertas del aparato con gran frecuencia registrándose unas altas temperaturas y una elevada humedad relativa del aire del entorno, puede formarse agua de condensación en el interior del frigorífico y escarcha en el compartimento de congelación.

Placa de características

Figura 12

En caso de solicitar la intervención del Servicio de Asistencia Técnica, no olvide indicar el número de producto (E-Nr.) y el de fabricación (FD-Nr.) de su unidad.

Ambos números se encuentran en La placa de características se encuentra en la parte izquierda del interior.

El número de teléfono del Servicio de Asistencia Técnica figura en la correspondiente guía telefónica o en el Directorio del Servicio de Asistencia Técnica.

Índice

	Pág.		Pág.
Indicações sobre Reciclagem	48	Arrumação dos Alimentos	54
Reciclagem do aparelho antigo	48	O que ter em atenção na arrumação	54
Reciclagem da embalagem do novo aparelho	48	Exemplo de arrumação	54
		Alteração da disposição interior	54
Indicações sobre Segurança	49	Congelação e conservação de alimentos e preparação de gelo	55
		O que ter em atenção na compra dos alimentos congelados	55
Instalação do Aparelho	50	Congelação de alimentos	55
Temperatura ambiente	50	Embalar os alimentos	55
Local de instalação	50	Capacidade de congelação	55
Instalação	50	Supercongelação	55
Ligação eléctrica	50	Prazo de conservação	56
Ventilação	50	Descongelação de alimentos	56
Depois do transporte ...	50	Preparação de gelo	56
Mudança do sentido de abertura da porta	50		
Familiarização com o Aparelho	51	Limpeza	56
Determinações	51		
Panorâmica geral	51	Conselhos para poupar energia	57
Funcionamento dos elementos de ligação e controlo	52-53	Ruídos de funcionamento	57
Ligar, desligar	53	Eliminação de pequenas anomalias	58-59
Ligar o aparelho	53		
Regulação da temperatura	53	Assistência Técnica	60
Desligar o aparelho	53	Chapa de características	60
Desactivar o aparelho	53		

Indicações sobre Reciclagem

Reciclagem do Aparelho antigo

Importante, se o seu aparelho novo for substituir um antigo.

Os aparelhos fora de uso devem ser, de imediato, inutilizados. Desligar a ficha da tomada e cortar o cabo de alimentação. No caso de aparelhos com fechos de trinco ou de ferrolho, estes devem também ser inutilizados, evitando-se, assim, que qualquer criança, por brincadeira, possa ficar presa lá dentro, correndo perigo de morte.

Os aparelhos de frio contêm elemento refrigerador e gases, que requerem um reciclagem especializada. Contêm, ainda, substâncias valiosas, que podem ser conduzidas para reutilização. Informe-se junto de dos Serviços Municipalizados da sua área de residência ou de um Agente Especializado. Tenha cuidado para que as tubagens do seu frigorífico não sofram qualquer dano durante o transporte até ao centro de reciclagem.

Reciclagem da Embalagem do novo Aparelho

Todos os materiais utilizados na embalagem são compatíveis com o meio ambiente e reutilizáveis. As cartonagens são constituídas por 80 a 100 % de papel velho. As peças de madeira não sofreram qualquer tratamento químico.

As películas são de polietileno (PE), as cintas de polipropileno (PP) e as peças almofadadas não contêm CFC's e são de poliestirol esponjoso (PS). Estes materiais são hidrocarbonetos puros recicláveis.

Através da separação e reutilização podem-se poupar matérias primas e reduzir o volume de lixo.

Informe-se junto dos Serviços Municipais sobre a localização de centros de reciclagem de aparelhos usados. Contribua, assim, para uma reciclagem não poluente e para a reutilização de materiais.

Indicações sobre Segurança

Antes de pôr em funcionamento o seu novo aparelho, leia atentamente as respectivas instruções de serviço e de montagem. Delas constam indicações importantes sobre instalação, uso e manutenção do aparelho.

Guarde em lugar seguro as instruções de serviço e de montagem, para a eventualidade do aparelho conhecer outro possuidor.

O fabricante não se responsabiliza, se não forem respeitadas as indicações e avisos constantes das instruções de serviço.

- Nunca utilize aparelhos de limpeza a vapor, para limpar ou descongelar o aparelho. O vapor pode atingir um elemento condutor de tensão e provocar um curto-circuito ou um choque eléctrico.
- Não utilizar aparelhos eléctricos dentro do frigorífico.
- Não pôr a funcionar um aparelho danificado. Em caso de dúvida, consulte o seu fornecedor.
- Instalar e ligar o aparelho de acordo com as respectivas instruções de montagem. Os valores da ligação eléctrica da rede têm que coincidir com as indicações da chapa de características.
- A segurança eléctrica do aparelho só é garantida, se o sistema doméstico de protecção de terra estiver instalado, segundo as normas.
- Em caso de anomalia, bem como para manutenção ou limpeza, o aparelho deve ser desligado da corrente eléctrica. Desligar a ficha da tomada ou os fusíveis. Puxar sempre pela ficha e nunca pelo cabo.
- As reparações só devem ser efectuadas por pessoal especializado. Reparações mal efectuadas podem acarretar perigos vários para o utilizador.
- Frascos com álcool de elevada percentagem só devem ser guardados no aparelho, se hermeticamente fechados e em posição vertical. Produtos com gás propulsor combustível (p. ex. nats em lata ou outros sprays) e, ainda, substâncias explosivas não devem ser guardadas no aparelho – Perigo de explosão!
- Não danificar as peças do circuito de frio, por exemplo, através da perfuração dos canais do elemento refrigerador do evaporador com objectos pontiagudos, através da ruptura das tubagens, da raspagem do revestimento de superfície do aparelho, etc.
- As grelhas de ventilação não devem estar tapadas nem obstruídas.
- Rodapé, gavetas, portas, etc. não devem ser utilizados como apoio.
- Não deixar que as crianças brinquem com o aparelho, por ex. sentarem-se nas gavetas ou dependurarem-se na porta.
- Nos aparelhos com fechadura, mantenha a respectiva chave fora do alcance das crianças.
- Não levar imediatamente à boca bocados de gelo ou cubos de gelo. (Perigo de queimaduras, devido a temperatura muito baixa).
- Não guardar no congelador líquidos em garrafas ou latas, sobretudo bebidas gaseificadas. As garrafas e as latas rebentam.
- Não tocar nos alimentos congelados com as mãos molhadas. As mãos podem congelar e ficar agarradas aos alimentos.
- Se a porta do frigorífico estiver fechada, vê-se um ligeiro movimento da respectiva porta. Todavia, o funcionamento do frigorífico não sofre qualquer prejuízo com isso.

Instalação do aparelho

Ter atenção à temperatura ambiente

Dependente da «classe climática» (Ver chapa de características), o aparelho pode funcionar com as seguintes temperaturas ambiente: (A chapa de características encontra-se no lado superior esquerdo da zona de refrigeração Fig. 12).

Classe climática	Temperatura ambiente de ... até
SN	+10 °C até 32 °C
N	+16 °C até 32 °C
ST	+18 °C até 38 °C
T	+18 °C até 43 °C

Se a temperatura ambiente baixar para um valor inferior ao limite mínimo de temperatura ambiente, ficará demasiado frio na zona de refrigeração e, se ultrapassar os limites máximos, ficará demasiado quente no congelador.

No caso de temperaturas ambiente inferiores a +2 °C, poderão surgir anomalias no sistema automático de descongelação.

Local

O aparelho deve ser instalado em local seco e arejado. Este local não deve estar exposto à acção directa dos raios solares nem próximo de fontes de calor, como um fogão, irradiadores de calor, etc. Se for inevitável a instalação junto de uma fonte de calor, deverá, então, utilizar uma placa isoladora adequada, ou manter as seguintes distâncias mínimas em relação à fonte de calor.

Relativamente a fogões eléctricos 3 cm
Relativamente a fogões a óleo ou a carvão 30 cm

No caso de instalação junto de um outro aparelho de frio ou de congelação, deverá ser observada uma distância lateral mínima de 2 cm, para evitar a formação de condensação.

Instalação

O aparelho deve ficar bem firme e alinhado. As irregularidades do chão podem ser compensadas à frente com os pés roscados

Ligação eléctrica

Ligar o aparelho apenas à corrente alterna 220–240 V/50 Hz, através de uma tomada com protecção de terra e instalada segundo as normas. Esta tomada deve estar protegida com um fusível de 10 A ou superior.

No caso de aparelhos para **países fora da Europa**, é imprescindível verificar, se a tensão e o tipo de corrente, indicadas na chapa de características, correspondem aos valores da rede eléctrica da sua habitação. A chapa de características encontra-se no lado superior esquerdo da zona de refrigeração (Fig. 12).

A substituição eventualmente necessária dos cabos de ligação só deve ser efectuada por um técnico especializado.

Aviso! O aparelho não pode, de forma alguma, ser ligado a uma «ficha electrónica de poupança de energia» (p.ex. Sava Plug, Ecoboy) ou a um ondulador que transforme a corrente contínua em corrente alterna de 230 V.

Ventilação Fig. 3

O ar aquecido na parede traseira do aparelho tem que poder sair livremente. De contrário, a máquina de frio fica sujeita a maior esforço, o que aumenta o consumo de energia. Nunca tapar nem obstruir, por isso, as grelhas de ventilação.

Depois do transporte ...

antes de ligar o aparelho pela primeira vez, deverá deixá-lo em posição vertical durante cerca de 1/2 hora.

Alteração do sentido de abertura da porta

Proceder de acordo com a sequência dos números da Fig. 13.

Familiarização com o aparelho

Determinações

O aparelho destina-se à refrigeração e congelação de alimentos e à preparação de gelo.

O aparelho foi concebido para utilização doméstica.

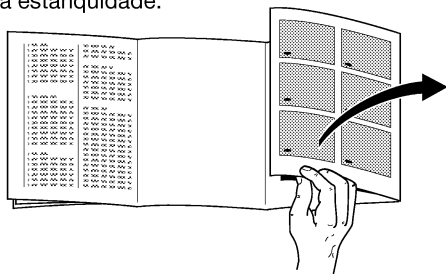
No caso de utilização industrial, devem ser observadas as regulamentações em vigor para este sector.

O aparelho corresponde à regulamentação sobre acidentes em sistemas de frio (VBG 20).

O aparelho corresponde, ainda, às normas de segurança para aparelhos eléctricos.

O circuito de frio foi testado quanto a estanquidade.

O circuito de frio foi testado quanto a estanquidade.



Antes de iniciar a leitura destas instruções, desdobre as últimas páginas com ilustrações.

As instruções de serviço aplicam-se a vários modelos, pelo que são possíveis diferenças de pormenor nas ilustrações.

Panorâmica geral

Fig. 1a/1b

- 1-8 Painel de comandos
- 9 Gaveta de congelação rápida
- 10 Cuvete para gelo
- 11 Reserva (cubos de gelo)
- 12 Compartimento "Chiller"
- 13 Prateleira
- 14 Iluminação interior
- 15 Prateleira para garrafas
- 16 Regulador de humidade para a gaveta de fruta e legumes
- 17 Gaveta para fruta e legumes
- 18 Gaveta para produtos congelados
- 19 Suporte para ovos
- 20 Prateleira para garrafas pequenas
- 21 Prateleira para garrafas grandes, pacotes de leite, etc.
- 22 Vedante da porta

- A Zona de congelação
- B Zona de refrigeração

Graças ao sistema Nofrost, totalmente automático, não há formação de gelo nas zonas de refrigeração e de congelação, Não é necessário, por isso, descongelar o aparelho.

Funcionamento:

Os alimentos na zona de refrigeração ou na de congelação são refrigerados ou congelados através do ar frio. Um evaporador, integrado no sistema Nofrost, arrefece o ar dentro do aparelho. O ar frio é posto em circulação por intermédio de uma turbina. A humidade existente no ar precipita-se no evaporador. Se necessário, o evaporador descongela automaticamente. A água proveniente da descongelação é encaminhada para a máquina de frio e, aí, evaporada. As zonas de refrigeração e de congelação, mantêm-se, assim, sem gelo.

* Não existente em todos os modelos

Familiarização com o aparelho

A função dos elementos de comando e de controlo

Fig. 2 Pannel de comandos

1 Tecla de ligar/desligar

Interruptor principal do aparelho, que serve para ligar e desligar completamente o aparelho.

2 Tecla de regulação de temperatura na zona de refrigeração

Manter a tecla premida ou premir tantas vezes até que se acenda a lâmpada correspondente à temperatura pretendida.

3 Lâmpadas de temperatura

Os valores junto das lâmpadas de temperatura correspondem às temperaturas em °C. A lâmpada iluminada indica a temperatura regulada.

4 Super-cooling

A lâmpada iluminada indica a activação deste sistema. No caso de super-cooling, a temperatura da zona de refrigeração ficará mais baixa durante 6 horas. Depois, comutará automaticamente para a temperatura regulada, antes da activação do super-cooling.

Utilização o sistema super-cooling:

- ao colocar grande quantidade de alimentos frescos no aparelho;
- para o arrefecimento rápido de bebidas.

5 Tecla de regulação de temperatura na zona de congelação

Manter a tecla premida ou premir tantas vezes até que se acenda a lâmpada correspondente à temperatura pretendida.

6 Lâmpadas de temperatura

Os valores junto das lâmpadas de temperatura correspondem às temperaturas em °C. A lâmpada iluminada indica a temperatura regulada.

7 Lâmpada de alarme

acende-se, quando fica demasiado quente na zona de congelação, portanto os alimentos correm o risco de descongelarem. A lâmpada pode acender, sem que os alimentos estejam em perigo: ao ligar-se o aparelho, ao colocar grande quantidade de alimentos ou se a porta esteve demasiado tempo aberta, para colocar ou retirar alimentos.

A lâmpada apaga-se, logo que a zona de congelação atingir a sua temperatura de funcionamento.

8 Tecla „super“ na zona de congelação

Serve para ligar e desligar a supercongelação. A sua activação é indicada pelo acender da lâmpada. A supercongelação serve para a congelação de grande quantidade de alimentos frescos e, dependendo dessa quantidade, deve ser ligada até 24 horas antes. Depois da ligação da supercongelação, é atingida uma temperatura muito baixa na zona de congelação.

A supercongelação desliga-se automaticamente, 50 horas após a sua activação.

Ligação e selecção de temperatura / Desligar e desactivar o aparelho

Fig. 2 Painel de comandos

- Ligar a ficha à tomada

- **Premir o interruptor principal 1**

Serão indicadas as temperaturas de +4°C e -18°C, previamente reguladas,

- **Regular a temperatura para a zona de refrigeração**

Para isso, premir várias vezes ou manter premida a tecla 2 de regulação de temperatura, até que fique iluminada a lâmpada correspondente à temperatura pretendida.

- **Regular a temperatura para a zona de congelação**

Para isso, premir várias vezes ou manter premida a tecla 5 de regulação de temperatura, até que fique iluminada a lâmpada correspondente à temperatura pretendida.

- **Ligação do Super-cooling**

Para isso, premir várias vezes ou manter premida a tecla 2 de regulação de temperatura, até que fique iluminada a lâmpada junto de „super-cooling“.

Notas:

- **Podem surgir temperaturas muito quentes nas zonas de refrigeração ou de congelação, se...**

- a porta não estiver bem fechada
- for colocada grande quantidade de alimentos quentes
- os selector de temperatura estiverem regulados para +8°C e -16°C.
- a circulação de ar nas zonas de refrigeração ou de congelação for prejudicada pelos alimentos armazenados.

- com temperaturas ambiente elevadas, as portas foram abertas com frequência.

- **Podem surgir temperaturas muito frias nas zonas de refrigeração ou de congelação, se...**

- está ligado o sistema de „super-cooling“ ou de supercongelação.
- os selectores de temperatura estiverem regulados para +2°C e max.

- **As zonas frontais do aparelho ficam por vezes aquecidas, o que evita a formação de condensação na área do vedante da porta.**

- Se, após fechar a zona de congelação, não puder, de imediato, abrir a respectiva porta, deverá aguardar dois a três minutos, até que seja compensado o vácuo formado no seu interior.

Desligar

Premir o interruptor principal Fig. 2/1, para desligar o aparelho.

Desactivar o aparelho

Se o aparelho não for utilizado durante um período longo de tempo:

Premir o interruptor principal Fig. 2/1, limpe o aparelho e deixe as portas abertas.

Arrumação dos alimentos

Ao arrumar os alimentos, tenha o seguinte em atenção

- Alimentos e bebidas quentes devem arrefecer, antes de serem arrumados no frigorífico.
- Arrumar os alimentos se possível embalados ou bem tapados. Deste modo, os alimentos não só conservam o aroma, a cor, a humidade e a frescura, como se evita também a transmissão de sabores. Desembalados apenas devem ser guardados legumes e frutas dentro da respectiva gaveta.
- Distribuir tão regularmente quanto possível pelos compartimentos para se garantir uma eficiente circulação do ar frio.
- As aberturas de entrada e saída de ar não podem ficar bloqueadas pelos alimentos, para não prejudicarem a circulação de ar.
- Os alimentos que sejam arrumados imediatamente à frente das saídas de ar, podem congelar devido à saída do ar frio.
- Óleo e gordura não devem entrar em contacto com as peças de plástico do aparelho nem com o vedante da porta, pois estes podem tornar-se porosos.
- Não guardar no aparelho produtos explosivos. Álcool de elevada percentagem só deve ser guardado em recipiente hermeticamente fechado e em posição vertical – **Perigo de explosão!**
- Garrafas com líquidos que possam congelar não devem ser guardadas no congelador. As garrafas rebentarão ao congelar.

* Não existente em todos os modelos

Exemplos de arrumação

Fig. ①

Zona de congelação (A)

Na **cuvete (10-11)** preparar e conservar gelo.

Na **gaveta de congelação rápida (9)** congelar e conservar alimentos.

Na **prateleira* e na base do congelador** conservar alimentos.

Nas **prateleiras (18)** pequenas porções de alimentos e bebidas com elevado teor de álcool.

Na zona de refrigeração (B)

Nas **prateleiras (13)** de cima para baixo, artigos de pastelaria, comida pronta, lacticínios.

Na **gaveta de legumes (17)** legumes, fruta, salada.

Na **prateleira (20)** pequenos frascos, latas.

No **suporte para ovos (19)** ovos.

Na **prateleira para garrafas (21)** garrafas grandes.

O equipamento interior

Gaveta de compartimento “Chiller”

(Fig. ④/12)

Puxando a base da gaveta para a frente, a tampa abre automaticamente.

Na zona de compartimento “Chiller” predominam temperaturas mais baixas do que na zona de refrigeração normal. Ideal para a conservação de alimentos sensíveis, como peixe, carne e salsichas. **Não é recomendado para saladas e legumes nem para alimentos sensíveis ao frio.**

Arrumação dos alimentos

Regulador de temperatura e humidade para a gaveta dos legumes (Fig. 6/16)

Para conservação a longo prazo de legumes, saladas e fruta, deslocar o regulador totalmente para a esquerda – a abertura de ventilação fica aberta –

A temperatura fica mais baixa.

Para conservação a curto prazo, deslocar o regulador para a direita. A abertura de ventilação fica fechada – A humidade é elevada – **A temperatura é mais elevada.**

As prateleiras na zona de refrigeração podem ser mudadas de lugar, com a porta aberta a 90°. Para retirar as prateleiras, puxá-las para fora, baixá-las ligeiramente, retirá-las e, depois, colocá-las no local pretendido (Fig. 5).

Todas as prateleiras e recipientes da porta podem ser retirados, para limpeza.

Para os retirar, basta elevá-los um pouco (Fig. 7).

Suporte para garrafas (Fig. 8/21)

O suporte para garrafas evita que estas possam tombar com o abrir e fechar da porta.

Prateleira para garrafas (Fig. 9/15)

Nas cavidades especiais as garrafas podem ser arrumadas e empilhadas.

Todas as prateleiras e recipientes da porta podem ser retirados, para limpeza.

Congelação e conservação

Quando comprar alimentos ultracongelados, tenha em atenção o seguinte:

- Quando comprar alimentos congelados, verifique a embalagem, pois esta não deve estar danificada.
- A data de validade não deve estar ultrapassada.
- A temperatura indicada na arca da loja deve ser de -18 °C ou inferior.
- Deixar para o fim a compra de congelados, que devem ser embrulhados em papel de jornal ou colocados num saco térmico e transportados de imediato para casa. Em casa, arrumar imediatamente os congelados no congelador.

Congelação de alimentos

Quando congelar alimentos, utilize sempre alimentos bem frescos.

Alimentos adequados para congelação:

Produtos derivados de carne e de charcutaria, aves e caça, peixe, legumes, ervas aromáticas, fruta, produtos de pastelaria, pizzas, comida pronta, restos de refeições, gemas de ovo e claras de ovo.

Alimentos não adequados para congelação:

Ovos inteiros com casca, natas azedas e maionese, saladas de folha, rábanos e cebolas.

Branqueamento de legumes e fruta

Para que conservem a cor, o aroma, o sabor e a vitamina «C», os legumes e a fruta devem ser branqueados, antes da sua congelação. (No processo de branqueamento, os legumes e a fruta são mergulhados brevemente em água a ferver. – Em qualquer livraria, encontrará literatura sobre congelação, onde vem também descrito o processo de branqueamento).

pt

Congelação e conservação

Como embalar os alimentos:

Embarcar os alimentos em porções adequadas ao tamanho da sua família. As porções para legumes e fruta não devem ser superiores a 1 kg e, para carne, a 2,5 kg. Alimentos em porções mais pequenas congelam mais rapidamente, mantendo a sua qualidade, depois de descongelados e confeccionados.

Embarcar hermeticamente os alimentos para que não sequem nem percam o sabor.

Produtos próprios para embalagem:

Películas de plástico, mangas de polietileno, folhas de alumínio. Caixas próprias para congelação. Estes produtos encontram-se à venda no comércio da especialidade.

Produtos não adequados para embalagem:

Papel de embrulho, papel de pergaminho, celofane, sacos para lixo e sacos de compras usados.

Introduzir os alimentos na embalagem, retirar totalmente o ar e fechar a embalagem hermeticamente.

Para fechar as embalagens são indicados:

Elásticos, clips de plástico, cintas, fitas autocolantes resistentes à temperatura ou produtos similares. Sacos e mangas de polietileno podem ser fechados com um aparelho próprio para esse efeito.

Antes de colocar os alimentos no congelador, deve identificar e datar as embalagens.

Capacidade máxima de congelação

Os alimentos devem, se possível, congelar rapidamente até ao seu núcleo. Só assim, conservam as vitaminas, os nutrientes, o aspecto e o sabor. Não ultrapassar, por isso, a capacidade máxima do seu aparelho.

Na zona de congelação e no período de 24 horas, podem ser congeladas, de uma só vez, as seguintes quantidades de alimentos

3FF4730B	max. 6 kg
3FF4735B	max. 6 kg
3FF4760B	max. 7 kg
3FF4830B	max. 6 kg
3FF4860B	max. 6.5 kg

Colocar pequenas quantidades (até 1 kg) na gaveta de congelação rápida Fig. ①/9. A congelação dos alimentos processa-se de forma bastante rápida.

No caso de grande quantidade de alimentos, estes devem ser distribuídos pela base da zona de congelação. Ter atenção, para que os alimentos já congelados não entrem em contacto com os alimentos frescos, que vão ser congelados. Se necessário, empilhar os alimentos já congelados. Evita-se, deste modo, que os alimentos congelados possam aquecer ou começar a descongelar.

Alimentos ou bebidas quentes devem arrefecer à temperatura ambiente, antes de serem colocados na zona de congelação.

Supercongelação

Se já existirem alimentos no congelador, deverá activar a supercongelação, antes de colocar os alimentos frescos no congelador. Em geral, são suficientes 4 a 6 horas antes. Se tiver que utilizar a capacidade máxima de congelação, são necessárias 24 horas. Menores quantidades de alimentos (até 1 kg) podem ser congeladas, sem necessidade de activação prévia da supercongelação. Para activação da supercongelação, basta premir a respectiva tecla (Fig. ②/8).

Congelação e conservação / Limpeza

A indicação „super“ mostra a activação da supercongelação. Depois da sua ligação, é atingida uma temperatura muito baixa na zona de congelação. A supercongelação desliga-se automaticamente, 50 horas após a sua activação.

Prazo de conservação

Para que os alimentos congelados não percam qualidade, o seu prazo de conservação não deve ser ultrapassado.

A uma temperatura de $-18\text{ }^{\circ}\text{C}$ podem conservar-se, até 4 meses, peixe, salsichas, refeições prontas e produtos de pastelaria; queijo, aves e carne até 6 meses; legumes e fruta até 8 meses.

Descongelação de alimentos

Em função do tipo de alimentos e da sua utilização final, poderá escolher entre as seguintes possibilidades:

À temperatura ambiente
no frigorífico
no forno eléctrico
com/sem ventilação de ar quente
no micro-ondas

Alimentos já congelados ou que iniciaram a descongelação podem de novo ser congelados, se a temperatura não tiver subido a mais de $+3\text{ }^{\circ}\text{C}$ durante mais de um dia para carne e peixe e, mais de três dias, para outros alimentos.

De contrário, e se não houver alteração de sabor, cheiro e aspecto, os alimentos podem ser cozinhados e, de novo, congelados.

Neste caso, não utilizar o prazo máximo de conservação.

Preparação de gelo

Fig. 10/10

1. Retirar a cuvette, enchê-la com $\frac{3}{4}$ de água e voltar a colocá-la no congelador.
2. Para retirar mais facilmente os cubos de gelo, torcer as pegas da cuvette várias vezes para a direita.

Os cubos de gelo soltam-se e caem dentro da caixa de reserva.
3. Os cubos de gelo, quando necessários, podem ser retirados da caixa de reserva.

O preparador de cubos de gelo pode ser suspenso na zona inferior de uma das duas prateleiras da zona de congelação, do lado esquerdo ou direito*.

Antes de iniciar a limpeza, desligar a ficha da tomada ou os fusíveis.

Nunca utilizar um aparelho de limpeza a vapor, para limpar o frigorífico. O vapor quente pode danificar as superfícies ou a parte eléctrica do aparelho – perigo de choque eléctrico!

A água da limpeza não se deve infiltrar no painel de comandos ou na iluminação. Para limpar todo o aparelho, excepto o vedante da porta, poderá utilizar água morna com um detergente suave, ligeiramente desinfectante, por ex. detergente de lavagem manual da loiça. Não utilizar produtos de limpeza, que possam conter substâncias abrasivas ou ácidas, nem diluentes químicos.

O vedante da porta deve ser lavado apenas com água simples e, depois, bem seco.

* Não existente em todos os modelos

Conselhos para poupar energia

- Instalar o aparelho em local bem arejado, protegido da acção directa dos raios solares e afastado de qualquer fonte de calor (aquecedores, etc.).
- As aberturas de ventilação devem manter-se desobstruídas.
- Os alimentos e bebidas quentes devem arrefecer, antes de serem guardados no aparelho.
- Para descongelar alimentos, colocar estes no frigorífico. O frio libertado dos alimentos congelados é, assim, aproveitado para refrigerar os alimentos no frigorífico.
- Para introduzir ou retirar alimentos, manter as portas abertas o mínimo tempo possível.

Indicações sobre ruídos de funcionamento

Ruídos de funcionamento

Para manter constante a temperatura seleccionada, o seu aparelho liga e desliga, de vez em quando, o compressor. Os ruídos daí resultantes são condicionados pelo funcionamento do aparelho. Eles diminuem automaticamente, logo que o aparelho tenha atingido a temperatura de funcionamento.

O **zumbido** é provocado pelo motor (compressor) e pode, por breves instantes, ser mais intenso, quando o motor liga.

O **murmurejar ou zunido** é provocado pelo elemento gerador de frio que passa através dos tubos.

O «**clic**» ouve-se, sempre que o termostato liga ou desliga o motor.

Ruídos tipo estalos podem acontecer, se ...

- estiver a funcionar a descongelação automática
- o aparelho arrefecer ou aquecer (dilatações do material)

Se os ruídos provocados pelo funcionamento do aparelho forem muito intensos, isso pode ser devido a pormenores de importância mínima, facilmente solucionáveis.

O aparelho está desnivelado

Alinhe o aparelho com a ajuda de um nível de bolha de ar. Utilize os pés ajustáveis ou coloque qualquer coisa sob eles.

O aparelho está encostado

Afaste o aparelho de móveis ou de outros aparelhos próximos.

Gavetas, cestos ou prateleiras abanam ou estão presos noutros componentes.

Verifique os componentes salientes e volte a colocá-los devidamente.

Garrafas ou outros recipientes tocam-se

Separe-os, para que não se toquem.

Eliminação de pequenas anomalias

Nem todas as anomalias são casos para a Assistência Técnica. Muitas vezes, trata-se de uma pequena anomalia. Por isso, antes de chamar a Assistência Técnica, verifique, se, seguindo as seguintes indicações, consegue eliminar a anomalia:

Nestes casos, mesmo durante o período de garantia, o cliente tem que suportar os custos de deslocação do técnico.

Se a lâmpada para a selecção de temperatura

Fig. 2/3 e 6 não acender:

Verificar, se há corrente, se a ficha está bem ligada à tomada e se o aparelho está ligado.

Se a iluminação da zona de refrigeração não funcionar:

- A lâmpada de incandescência está fundida. Desligar a ficha da tomada, retirar a cobertura da lâmpada (Fig. 11/b) e substituir a lâmpada de incandescência máx. 15 W, 220 V, casquilho E 14. (Fig. 11/c-d)
- O interruptor da luz (Fig. 11/a) está preso. Verificar, se ele se move. Se isso não acontecer, deverá contactar os nossos Serviços Técnicos.
- O interruptor da luz está preso. Verificar, se ele se move. Se isso não acontecer, deverá contactar os nossos Serviços Técnicos.

Se, após funcionamento durante muito tempo, a lâmpada de alarme se acender:

Anomalia. Está muito calor na zona de congelação!

Causas possíveis da anomalia:

- A abertura de ar na parte superior e no rodapé do aparelho está obstruída.
- A porta da zona de congelação não está bem fechada.
- Foram congelados alimentos frescos, sem activação da supercongelação.
- Foram colocados de uma só vez muitos alimentos frescos, para congelar.
- Temperatura ambiente elevada.

Depois de eliminada a anomalia, a lâmpada de alarme apaga-se, se a zona de congelação tiver atingido a sua temperatura de funcionamento.

Se a porta da zona de congelação esteve muito tempo aberta e, nesta zona, não seja mais atingida a temperatura seleccionada

Se o evaporador (gerador de frio) tiver tanto gelo que o sistema de descongelação automática não consegue descongelar a quantidade de gelo existente. Neste caso, retirar os alimentos do congelador e colocá-los bem isolados em local fresco.

Desligar o aparelho e deixar a porta do congelador aberta. Passadas cerca de 12 horas, está descongelado o gelo no sistema de refrigeração.

Se, apesar destas indicações, não for possível solucionar a anomalia, chame, então, os Serviços Técnicos.

Não abra a porta desnecessariamente, para evitar perdas de frio.

Não faça quaisquer trabalhos no aparelho, especialmente no sistema eléctrico.

pt

Eliminação de pequenas anomalias/Assistência Técnica

● **Podem surgir temperaturas demasiado elevadas na zona de refrigeração ou de congelação, se ...**

- a porta não estiver bem fechada.
- for colocada uma grande quantidade de alimentos quentes no aparelho.
- a circulação de ar na zona de refrigeração ou na zona de congelação estiver a ser prejudicada pela colocação de demasiados alimentos no aparelho.
- as portas tiverem sido abertas frequentemente com temperaturas ambiente elevadas.

- A abertura frequente das portas com temperaturas ambiente e humidade do ar elevadas pode causar condensação na zona de refrigeração e gelo na zona de congelação.

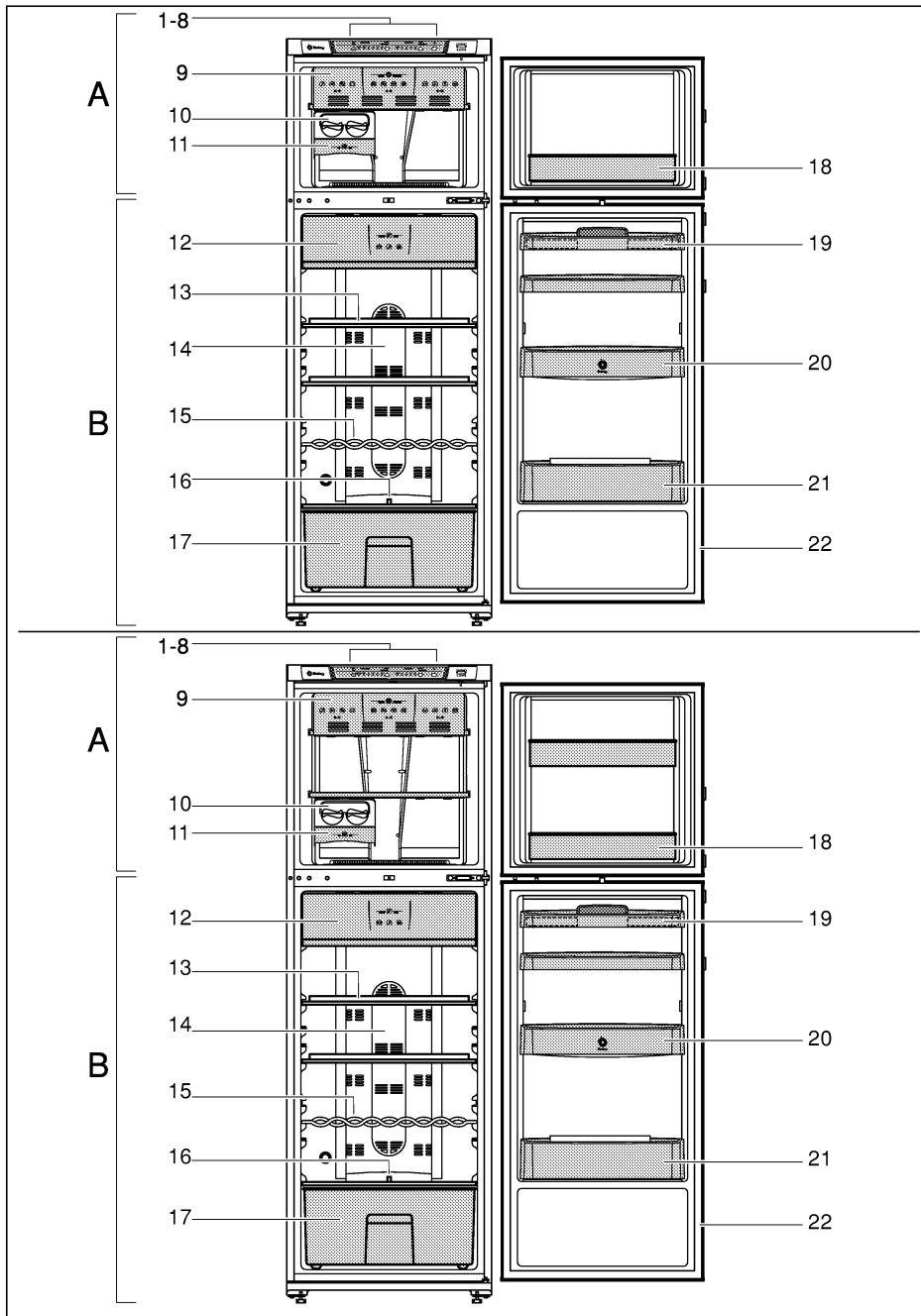
Chapa de características

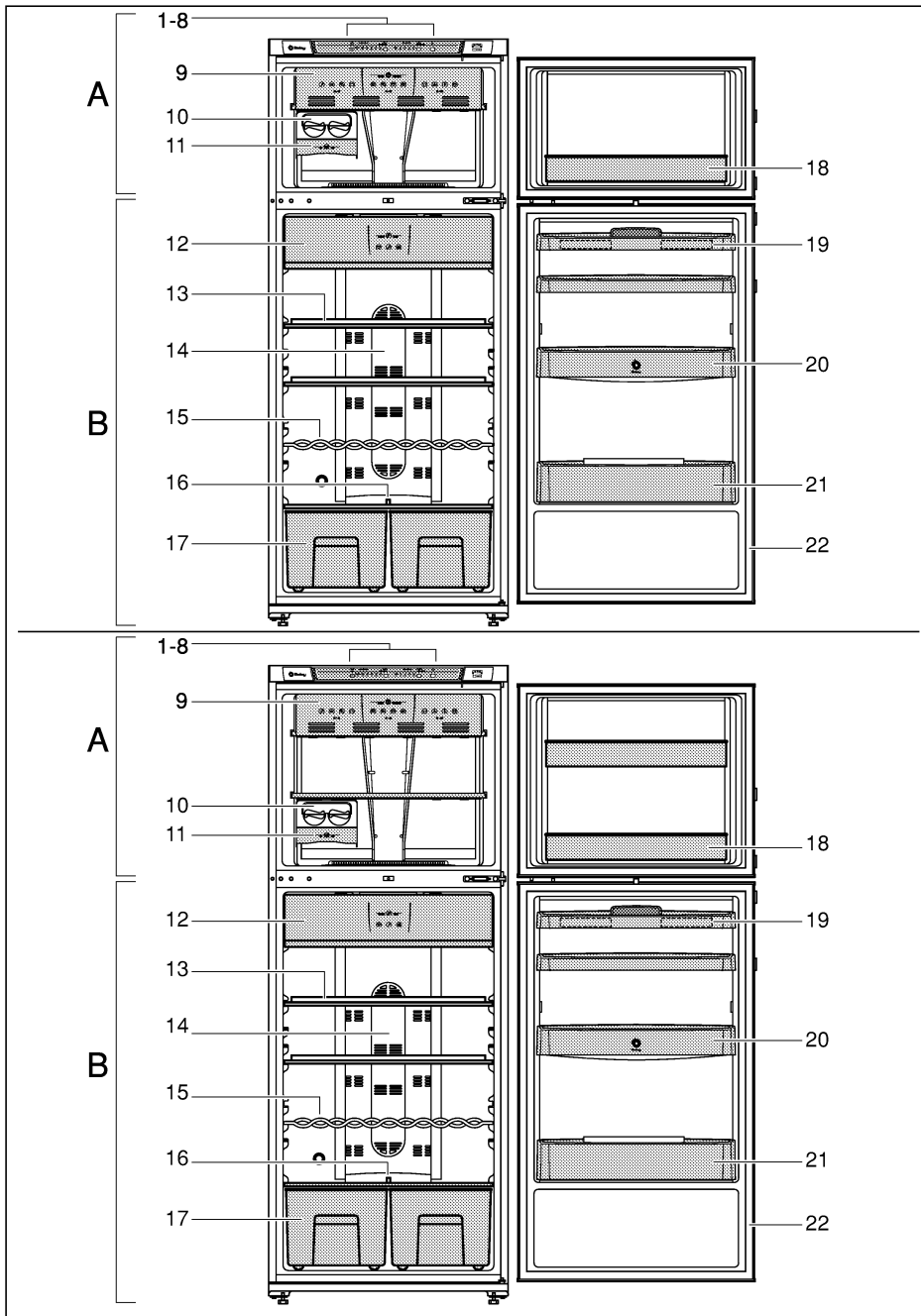
Fig. 12

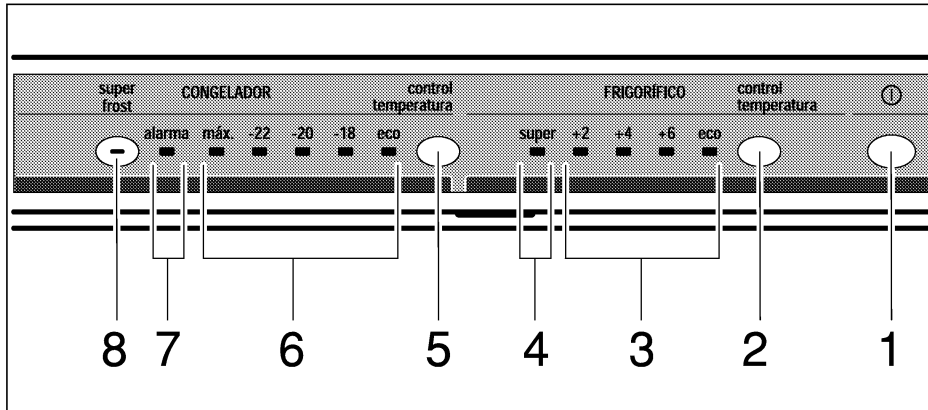
Quando recorrer aos Serviços Técnicos, indique sempre o número de artigo (Nr. E) e o número de fabrico (Nr. FD) do seu aparelho.

Estes dados encontram-se no campo circundado a preto da chapa de características encontra-se no lado superior esquerdo da zona de refrigeração.

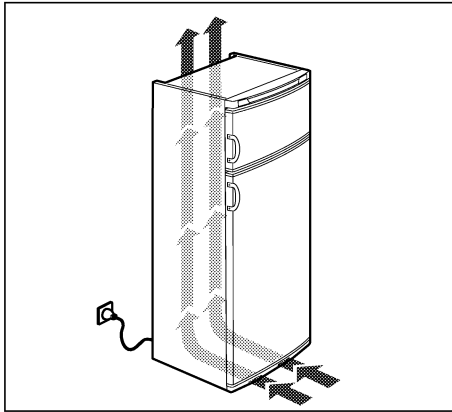
A morada e o número de telefone da Assistência Técnica podem ser obtidos no índice de postos de assistência que acompanha o aparelho.



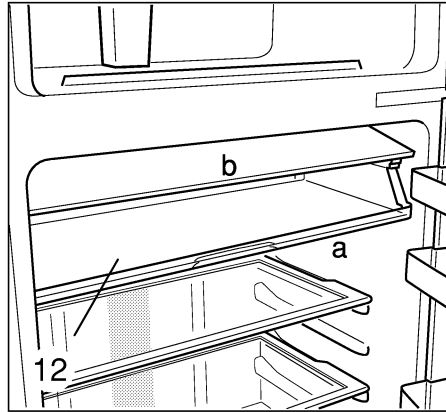




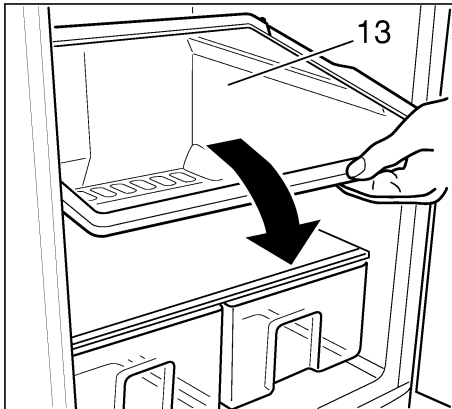
2



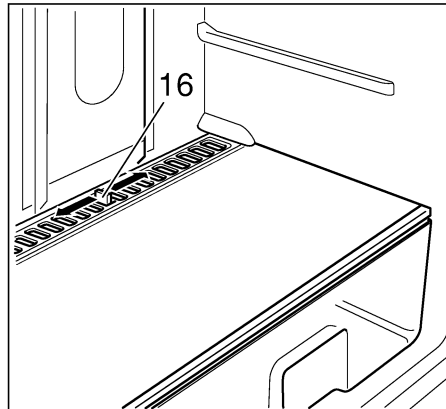
3



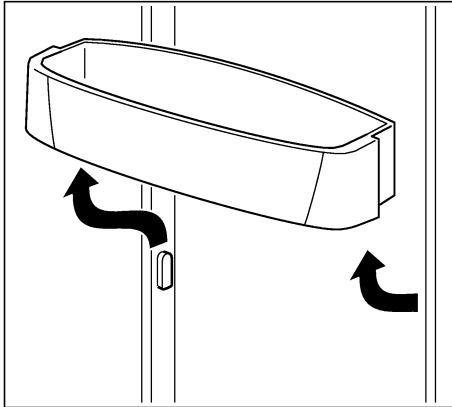
4



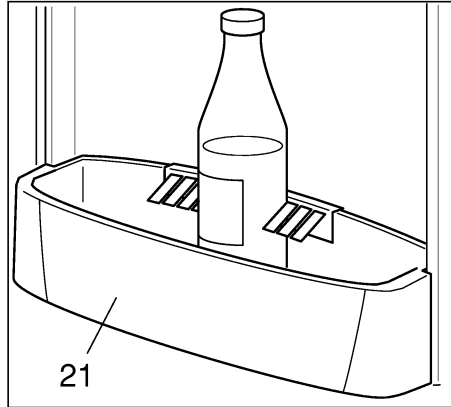
5



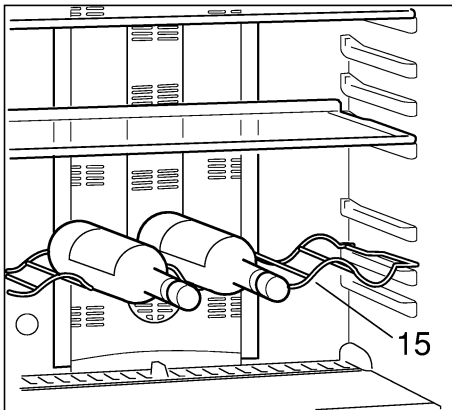
6



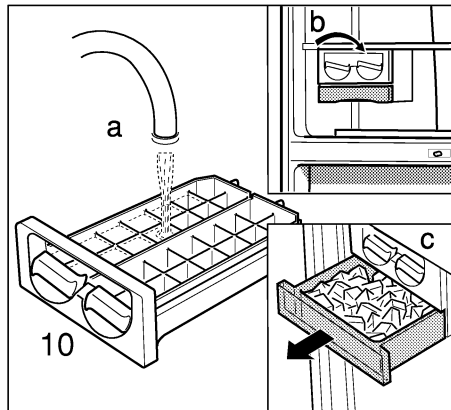
7



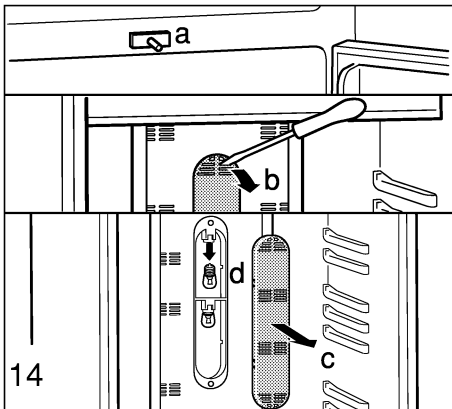
8



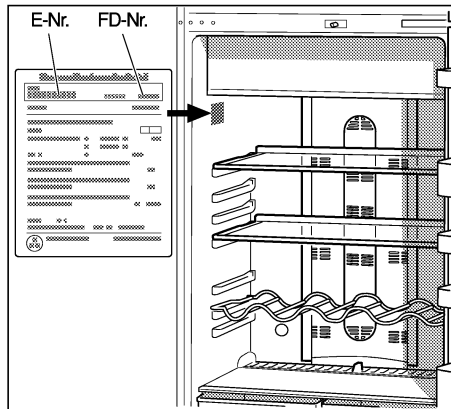
9



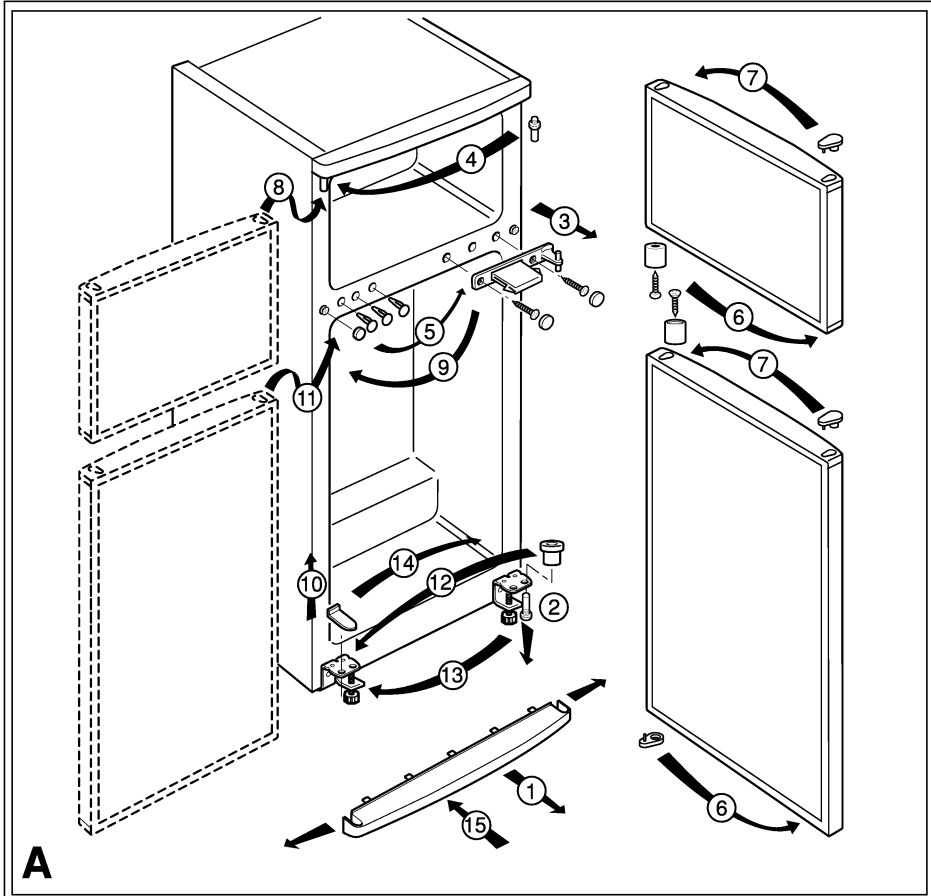
10



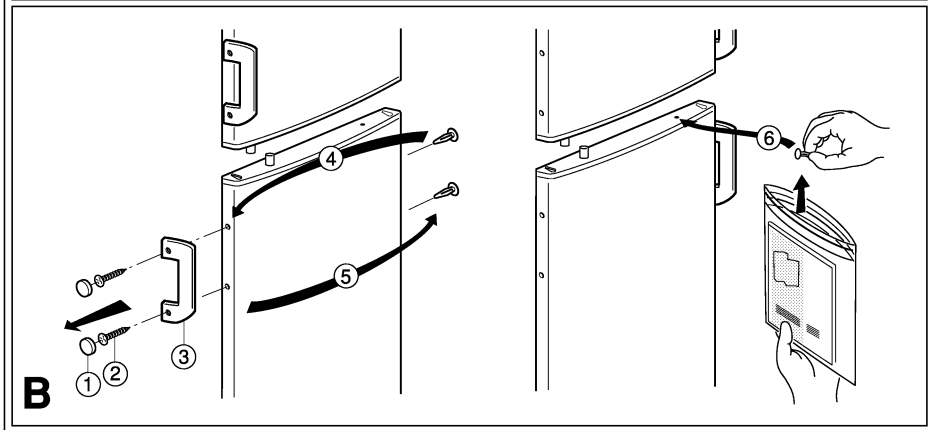
11



12



A



B

BSH Electrodomésticos España, S.A.

CIF. A-28 893 550

C/Itoa, nº 1 • 31620 Huarte - Pamplona (Navarra) • ESPAÑA

08.11.04/001D

9000002585