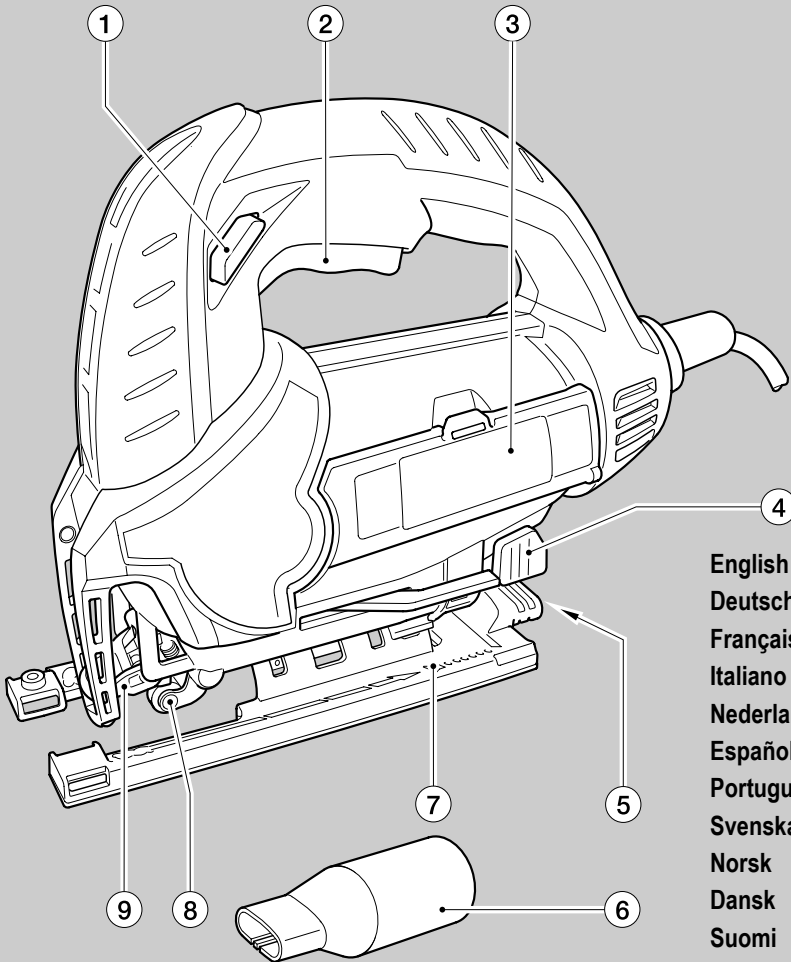


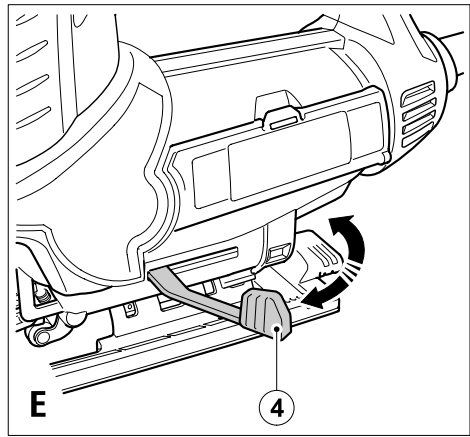
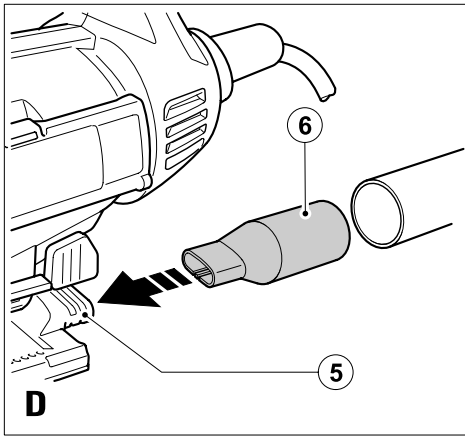
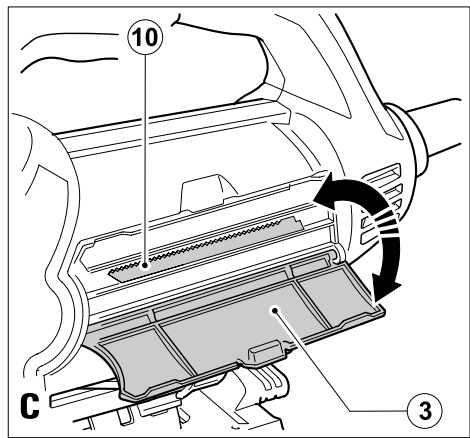
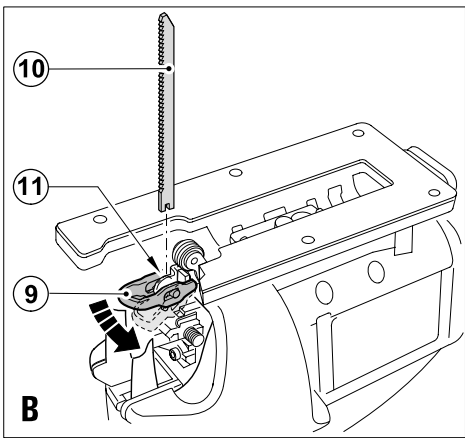
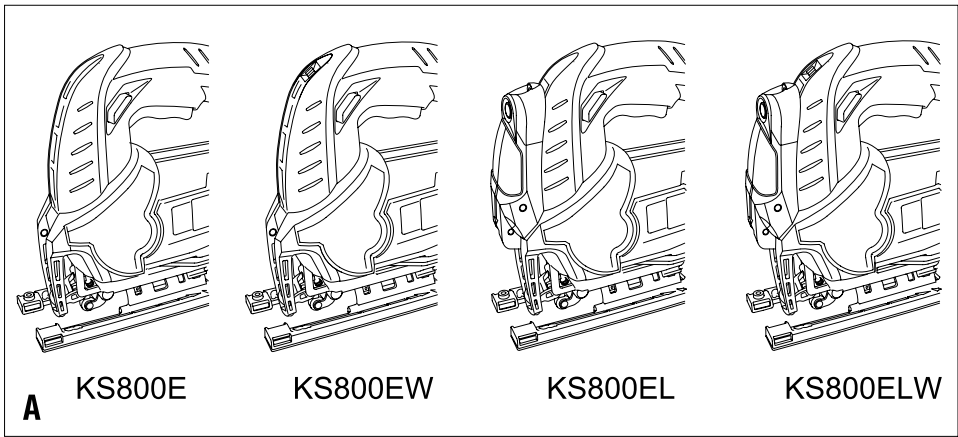


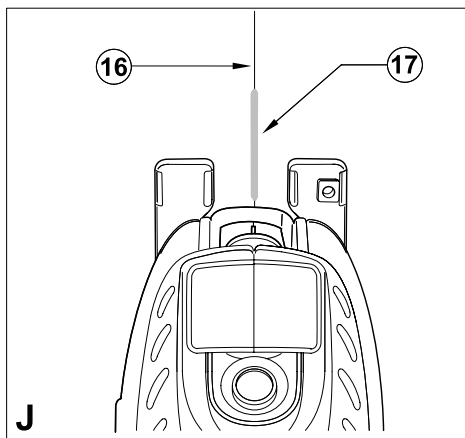
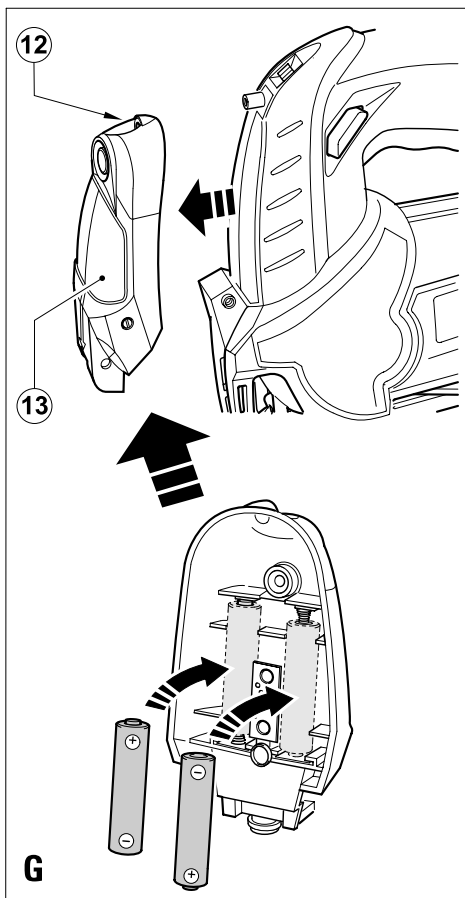
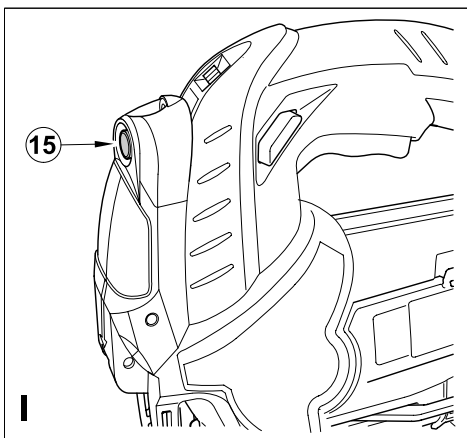
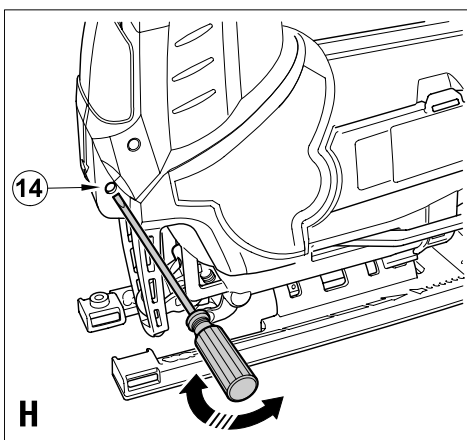
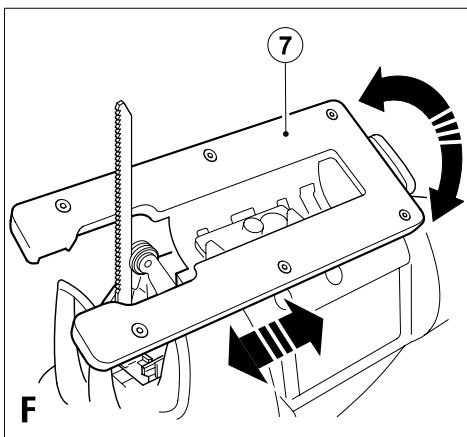
# BLACK & DECKER®

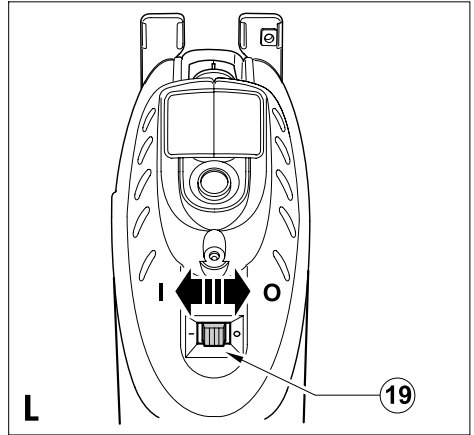
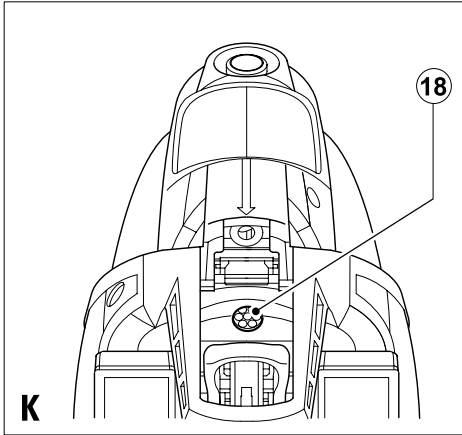
www.blackanddecker.eu



English	5
Deutsch	11
Français	18
Italiano	25
Nederlands	32
Español	39
Português	46
Svenska	53
Norsk	59
Dansk	65
Suomi	71
Ελληνικά	77







## Intended use

Your Black & Decker jigsaw has been designed for sawing wood, plastics and sheet metal. This tool is intended for consumer use only.

## Safety instructions

### General power tool safety warnings



**Warning! Read all safety warnings and all instructions.** Failure to follow all instructions may result in electric shock, fire and/or serious injury.

### Save all warnings and instructions for future reference.

The term "power tool" in all of the warnings listed below refers to your mains operated (corded) power tool or battery operated (cordless) power tool.

1. **Work area safety**
  - a. **Keep work area clean and well lit.** Cluttered and dark areas invite accidents.
  - b. **Do not operate power tools in explosive atmospheres, such as in the presence of flammable liquids, gases or dust.** Power tools create sparks which may ignite the dust or fumes.
  - c. **Keep children and bystanders away while operating a power tool.** Distractions can cause you to lose control.
2. **Electrical safety**
  - a. **Power tool plugs must match the outlet. Never modify the plug in any way. Do not use any adapter plugs with earthed (grounded) power tools.** Unmodified plugs and matching outlets will reduce risk of electric shock.
  - b. **Avoid body contact with earthed or grounded surfaces such as pipes, radiators, ranges and refrigerators.** There is an increased risk of electric shock if your body is earthed or grounded.
  - c. **Do not expose power tools to rain or wet conditions.** Water entering a power tool will increase the risk of electric shock.
  - d. **Do not abuse the cord. Never use the cord for carrying, pulling or unplugging the power tool. Keep cord away from heat, oil, sharp edges or moving parts.** Damaged or entangled cords increase the risk of electric shock.
  - e. **When operating a power tool outdoors, use an extension cord suitable for outdoor use.** Use of a cord suitable for outdoor use reduces the risk of electric shock.
  - f. **If operating a power tool in a damp location is unavoidable, use a residual current device (RCD) protected supply.** Use of an RCD reduces the risk of electric shock.
3. **Personal safety**
  - a. **Stay alert, watch what you are doing and use common sense when operating a power tool. Do not use a power tool while you are tired or under the influence of drugs, alcohol or medication.** A moment of inattention while operating power tools may result in serious personal injury.
  - b. **Use personal protective equipment. Always wear eye protection.** Protective equipment such as dust mask, non-skid safety shoes, hard hat, or hearing protection used for appropriate conditions will reduce personal injuries.
  - c. **Prevent unintentional starting. Ensure the switch is in the off-position before connecting to power source and/or battery pack, picking up or carrying the tool.** Carrying power tools with your finger on the switch or energising power tools that have the switch on invites accidents.
  - d. **Remove any adjusting key or wrench before turning the power tool on.** A wrench or a key left attached to a rotating part of the power tool may result in personal injury.
  - e. **Do not overreach. Keep proper footing and balance at all times.** This enables better control of the power tool in unexpected situations.
  - f. **Dress properly. Do not wear loose clothing or jewellery. Keep your hair, clothing and gloves away from moving parts.** Loose clothes, jewellery or long hair can be caught in moving parts.
  - g. **If devices are provided for the connection of dust extraction and collection facilities, ensure these are connected and properly used.** Use of these devices can reduce dust related hazards.
4. **Power tool use and care**
  - a. **Do not force the power tool. Use the correct power tool for your application.** The correct power tool will do the job better and safer at the rate for which it was designed.
  - b. **Do not use the power tool if the switch does not turn it on and off.** Any power tool that cannot be controlled with the switch is dangerous and must be repaired.
  - c. **Disconnect the plug from the power source and/or the battery pack from the power tool before making any adjustments, changing accessories, or storing power tools.** Such preventive safety measures reduce the risk of starting the power tool accidentally.

- d. **Store idle power tools out of the reach of children and do not allow persons unfamiliar with the power tool or these instructions to operate the power tool.** Power tools are dangerous in the hands of untrained users.
- e. **Maintain power tools. Check for misalignment or binding of moving parts, breakage of parts and any other condition that may affect the power tools operation. If damaged, have the power tool repaired before use.** Many accidents are caused by poorly maintained power tools.
- f. **Keep cutting tools sharp and clean.** Properly maintained cutting tools with sharp cutting edges are less likely to bind and are easier to control.
- g. **Use the power tool, accessories and tool bits etc. in accordance with these instructions, taking into account the working conditions and the work to be performed.** Use of the power tool for operations different from those intended could result in a hazardous situation.

## 5. Service

- a. **Have your power tool serviced by a qualified repair person using only identical replacement parts.** This will make sure that the safety of the power tool is maintained.

## Additional power tool safety warnings



**Warning!** Additional safety warnings for jigsaws.

- ◆ **Do not touch the workpiece or the blade immediately after operating the tool.** They can become very hot.
  - ◆ **Be aware of hidden hazards, before cutting into walls, floors or ceilings, check for the location of wiring and pipes.**
  - ◆ **The blade will continue to move after releasing the switch.** Always switch the tool off and wait for the saw blade to come to a complete standstill before putting the tool down.
- Warning!** Contact with, or inhalation of dusts arising from cutting applications may endanger the health of the operator and possible bystanders. Wear a dust mask specifically designed for protection against dust and fumes and ensure that persons within or entering the work area are also protected.
- ◆ Thoroughly remove all dust after sanding.
  - ◆ Take special care when sanding paint which is possibly lead based or when sanding some woods and metal which may produce toxic dust:
    - Do not let children or pregnant women enter the work area.
    - Do not eat, drink or smoke in the work area.
    - Dispose of dust particles and any other debris safely.
  - ◆ This tool is not intended for use by persons (including children) with reduced physical, sensory or mental capabilities, or lack of experience and knowledge, unless they have been given supervision or instruction concerning use of the appliance by a person responsible for their safety. Children should be supervised to ensure that they do not play with the appliance.
  - ◆ The intended use is described in this instruction manual. The use of any accessory or attachment or performance of any operation with this tool other than those recommended in this instruction manual may present a risk of personal injury and/or damage to property

## Vibration

The declared vibration emission values stated in the technical data and the declaration of conformity have been measured in accordance with a standard test method provided by EN 60745 and may be used for comparing one tool with another. The declared vibration emission value may also be used in a preliminary assessment of exposure.

**Warning!** The vibration emission value during actual use of the power tool can differ from the declared value depending on the ways in which the tool is used. The vibration level may increase above the level stated.

When assessing vibration exposure to determine safety measures required by 2002/44/EC to protect persons regularly using power tools in employment, an estimation of vibration exposure should consider, the actual conditions of use and the way the tool is used, including taking account of all parts of the operating cycle such as the times when the tool is switched off and when it is running idle in addition to the trigger time.

**Labels on tools**



**Warning!** To reduce the risk of injury, the user must read the instruction manual.

**Electrical safety**



This tool is double insulated; therefore no earth wire is required. Always check that the power supply corresponds to the voltage on the rating plate.

- ◆ This appliance is not intended for use by young or infirm persons without supervision. Children must be supervised to ensure they do not play with the appliance.
- ◆ If the supply cord is damaged, it must be replaced by the manufacturer or an authorised Black & Decker Service Centre in order to avoid a hazard.

**Additional safety instructions for non-rechargeable batteries**

- ◆ Never attempt to open for any reason.
- ◆ Do not store in locations where the temperature may exceed 40 °C.
- ◆ When disposing of batteries, follow the instructions given in the section "Protecting the environment".

Do not incinerate the batteries.

- ◆ Under extreme conditions, battery leakage may occur. When you notice liquid on the batteries, proceed as follows:
  - Carefully wipe the liquid off using a cloth. Avoid skin contact.

**Additional safety instructions for lasers**



Read all of this manual carefully.



This product is not to be used by children under 16.



Laser radiation.



Do not look into the laser beam.



Do not use optical tools to view the laser beam.

- ◆ This laser complies with class 2 according to IEC 60825+A1+A2:2001. Do not replace a laser diode with a different type. If the laser is damaged, have the laser repaired by an authorised repair agent.
- ◆ Do not use the laser for any purpose other than projecting laser lines.
- ◆ An exposure of the eye to the beam of a class 2 laser is considered safe for a maximum of 0.25 seconds. Eyelid reflexes will normally provide adequate protection. At distances greater than 1m, the laser complies with class 1 and is therefore considered completely safe.
- ◆ Never look into the laser beam directly and intentionally.
- ◆ Do not use optical tools to view the laser beam.
- ◆ Do not set up the tool where the laser beam can cross any person at head height.
- ◆ Do not let children come near the laser.

**Features**

1. Lock-on button
2. Variable speed on/off switch
3. Blade storage compartment cover
4. Shoe plate locking lever
5. Dust extraction outlet
6. Dust extraction adaptor
7. Shoe plate
8. Blade support roller
9. Tool-free blade clamp

**Additional features (fig. A)**

Additional features may be applicable depending upon the product purchased. The additional features applicable to the catalogue number purchased are shown in fig. A.

## Assembly

**Warning!** Before attempting any of the following operations, make sure that the tool is switched off and unplugged and that the saw blade has stopped. Used saw blades may be hot.

### Fitting the saw blade (fig. B)

- ◆ Hold the saw blade (10) as shown, with the teeth facing forward.
- ◆ Push and hold the blade clamp (9) down.
- ◆ Insert the shank of the saw blade into the blade holder (11) as far as it will go.
- ◆ Release the blade clamp (9).

### Saw blade storage (fig. C)

Saw blades (10) can be stored in the storage compartment located on the side of the tool.

- ◆ Open the cover (3) of the saw blade storage compartment by holding the tab on the top of the cover (3) and pulling it outward.
- ◆ The blades are retained in the compartment by a magnetic strip. To remove a blade, press down on one end of the blade to raise the other end, and remove.
- ◆ Close the cover (3) of the saw blade storage compartment and make sure that it is latched closed.

**Warning!** Close the compartment door securely before operating the saw.

### Connecting a vacuum cleaner to the tool (fig. D)

An adaptor is required to connect a vacuum cleaner or dust extractor to the tool. The dust extraction adaptor (6) can be purchased from your local Black & Decker retailer.

- ◆ Push the adaptor (6) into the dust extraction outlet (5).
- ◆ Connect the vacuum cleaner hose to the adaptor (6).

## Use

### Adjusting the shoe plate for bevel cuts (fig. E and F)

**Warning!** Never use the tool when the shoe plate is loose or removed.

The shoe plate (7) can be set to a left or right bevel angle of up to 45°.

- ◆ Pull the shoe plate locking lever (4) outwards to unlock the shoe plate (7) from the 0 degree position (fig. F).
- ◆ Pull the shoe plate (7) forward and set the required bevel 15°, 30° and 45° indicated in the bevel angle window.
- ◆ Push the shoe plate locking lever (4) back towards the saw to lock the shoe plate (7).

To reset the shoe plate (7) for straight cuts:

- ◆ Pull the shoe plate locking lever (4) outwards to unlock the shoe plate (7).

- ◆ Set the shoe plate (7) to an angle of 0° and push the shoe plate backwards.
- ◆ Push the shoe plate locking lever (4) back towards the saw to lock the shoe plate (7).

### Switching on and off

- ◆ To switch the tool on, press the variable speed on/off switch (2).
- ◆ To switch the tool off, release the variable speed on/off switch (2).
- ◆ For continuous operation, press the lock-on button (1) and release the on/off switch (2).
- ◆ To switch the tool off when in continuous operation, press the on/off switch (2) and release it.

### Sawing

Hold the tool firmly with both hands while cutting.

The shoe plate (7) should be held firmly against the material being cut. This will help prevent the saw from jumping, reduce vibration and minimise blade breakage.

- ◆ Let the blade run freely for a few seconds before starting the cut.
- ◆ Apply only a gentle pressure to the tool while performing the cut.

### Operating the laser (fig. G - I) ('L' units only)

#### Installing the batteries (fig. G)

Detach the laser module (13) from the jigsaw by removing the screw (12) and pulling the laser module forward. Insert two new 1.5 Volt AAA alkaline batteries, making sure to match the (+) and (-) terminals correctly. Re-attach the laser module (13).

#### Adjusting the laser side-to-side (fig. H)

**Note:** The laser is intended as a cutting aid and does not guarantee a precise cut.

**Warning!** Do not adjust the laser with the jigsaw plugged in.

- ◆ Use the laser adjustment screw (14) to align the laser line with the saw blade if needed.

The laser visibility (power) will be reduced if the jigsaw is overheated. The laser may not be visible when the saw is overloaded for a prolonged period of time. The laser visibility will gradually return to normal when the tool cools down even when the tool is unplugged.

**Warning!** Do not leave the overheated laser switched ON. Make sure that the switch is in the OFF position and remove the batteries to remove power from the laser.

#### Using the laser (fig. I and J)

The laser projects the line of cut (17) on to the surface of the workpiece.

- ◆ To switch the laser on, press the button (15).



- ◆ To switch the laser off, press the button (15) again.

Viewing from directly above the jigsaw, the line of cut (16) can be easily followed. Should this view be restricted for any reason, the laser can be used as an alternative cutting guide.

- ◆ Use a pencil to mark the cutting line (16).
- ◆ Position the jigsaw over the line (16).
- ◆ Switch on the laser.

### Operating the work light (fig. K and L) ('W' units only)

Units that include a 'W' in the catalogue number are provided with an LED light (18) to illuminate the area around the blade.

- ◆ To switch the work light on, slide the switch (19) to the on position (I).
- ◆ To switch the work light off, slide the switch (19) to the off position (0).

### Hints for optimum use

#### Sawing laminates

When cutting laminates, splintering may occur which can damage the presentation surface. The most common saw blades cut on the upward stroke, therefore if the shoe plate is sitting on the presentation surface either use a saw blade that cuts on the downward stroke or:

- ◆ Use a fine-tooth saw blade.
- ◆ Saw from the back surface of the workpiece.
- ◆ To minimise splintering, clamp a piece of scrap wood or hardboard to both sides of the workpiece and saw through this sandwich.

#### Sawing metal

Be aware that sawing metal takes much more time than sawing wood.

- ◆ Use a saw blade suitable for sawing metal.
- ◆ When cutting thin sheet metal, clamp a piece of scrap wood to the back surface of the workpiece and cut through this sandwich.
- ◆ Spread a film of oil along the intended line of cut.

### Maintenance

Your Black & Decker tool has been designed to operate over a long period of time with a minimum of maintenance. Continuous satisfactory operation depends upon proper tool care and regular cleaning.

- ◆ Regularly clean the ventilation slots in your tool using a soft brush or dry cloth.
- ◆ Regularly clean the motor housing using a damp cloth. Do not use any abrasive or solvent-based cleaner. Never let any liquid get inside the tool and never immerse any part of the tool into liquid.

### Protecting the environment



Separate collection. This product must not be disposed of with normal household waste.

Should you find one day that your Black & Decker product needs replacement, or if it is of no further use to you, do not dispose of it with household waste. Make this product available for separate collection.



Separate collection of used products and packaging allows materials to be recycled and used again. Re-use of recycled materials helps prevent environmental pollution and reduces the demand for raw materials.

Local regulations may provide for separate collection of electrical products from the household, at municipal waste sites or by the retailer when you purchase a new product.

Black & Decker provides a facility for the collection and recycling of Black & Decker products once they have reached the end of their working life. To take advantage of this service please return your product to any authorised repair agent who will collect them on our behalf.

You can check the location of your nearest authorised repair agent by contacting your local Black & Decker office at the address indicated in this manual. Alternatively, a list of authorised Black & Decker repair agents and full details of our after-sales service and contacts are available on the Internet at: [www.2helpU.com](http://www.2helpU.com).



At the end of their useful life, discard batteries with due care for our environment. Remove the batteries as described above.

- ◆ Place the batteries in suitable packaging to ensure that the terminals cannot be short-circuited.
- ◆ Take the batteries to a local recycling station.

### Technical data

KS800E Series	
Voltage	Vac 230
Rated input	W 520
No-load speed	min <sup>-1</sup> 0-3000
Max. depth of cut	
Wood	mm 70
Steel	mm 5
Aluminium	mm 15
Weight	kg 2.2

**EC declaration of conformity**

KS800E Series

Black & Decker declares that these products conform to:  
98/37/EC, 2006/95/EEC, EN 60745, EN 55014, EN61000,  
IEC 60825+A1+A2:2001

Level of sound pressure according to EN 60745:

Sound pressure ( $L_{pA}$ ) 89 dB(A), uncertainty (K) 3 dB(A)  
Acoustic power ( $L_{WA}$ ) 100 dB(A), uncertainty (K) 3 dB(A)

Vibration total values (triax vector sum) according to  
EN 60745:

Cutting wood ( $a_{h, CW}$ ) 6.0 m/s<sup>2</sup>, uncertainty (K) 1.5 m/s<sup>2</sup>  
Cutting sheet metal ( $a_{h, CM}$ ) 6.5 m/s<sup>2</sup>,  
uncertainty (K) 1.5 m/s<sup>2</sup>



Kevin Hewitt  
Director of Consumer Engineering  
Spennymoor, County Durham DL16 6JG,  
United Kingdom  
01-10-2007

Please visit our website [www.blackanddecker.co.uk](http://www.blackanddecker.co.uk) to register your new Black & Decker product and to be kept up to date on new products and special offers. Further information on the Black & Decker brand and our range of products is available at [www.blackanddecker.co.uk](http://www.blackanddecker.co.uk).

**Guarantee**

Black & Decker is confident of the quality of its products and offers an outstanding guarantee. This guarantee statement is in addition to and in no way prejudices your statutory rights. The guarantee is valid within the territories of the Member States of the European Union and the European Free Trade Area.

If a Black & Decker product becomes defective due to faulty materials, workmanship or lack of conformity, within 24 months from the date of purchase, Black & Decker guarantees to replace defective parts, repair products subjected to fair wear and tear or replace such products to make sure of the minimum inconvenience to the customer unless:

- ◆ The product has been used for trade, professional or hire purposes.
- ◆ The product has been subjected to misuse or neglect.
- ◆ The product has sustained damage through foreign objects, substances or accidents.
- ◆ Repairs have been attempted by persons other than authorised repair agents or Black & Decker service staff.

To claim on the guarantee, you will need to submit proof of purchase to the seller or an authorised repair agent. You can check the location of your nearest authorised repair agent by contacting your local Black & Decker office at the address indicated in this manual. Alternatively, a list of authorised Black & Decker repair agents and full details of our after-sales service and contacts are available on the Internet at:

[www.2helpU.com](http://www.2helpU.com)

## Bestimmungsgemäße Verwendung

Ihre Black & Decker Stichsäge wurde zum Sägen von Holz, Kunststoff und Metallblechen entwickelt. Dieses Gerät ist nicht für den gewerblichen Einsatz vorgesehen.

## Sicherheitshinweise

### Allgemeine Sicherheitswarnungen für das Gerät




**Achtung! Lesen Sie alle Sicherheitswarnungen und Anweisungen sorgfältig durch.** Die Nichteinhaltung der aufgeführten Anweisungen kann einen elektrischen Schlag, Brand und/oder schwere Verletzungen verursachen.

### Bewahren Sie alle Sicherheitswarnungen und Anweisungen gut auf.

Der nachfolgend verwendete Begriff „Gerät“ bezieht sich auf netzbetriebene Geräte (mit Netzkabel) und auf akkubetriebene Geräte (ohne Netzkabel).

1. **Sicherheit im Arbeitsbereich**
  - a. **Halten Sie Ihren Arbeitsbereich sauber und gut ausgeleuchtet.** Unordnung und dunkle Arbeitsbereiche können zu Unfällen führen.
  - b. **Arbeiten Sie mit Geräten nicht in explosionsgefährdeter Umgebung, in der sich brennbare Flüssigkeiten, Gase oder Stäube befinden.** Geräte erzeugen Funken, die den Staub oder die Dämpfe entzünden können.
  - c. **Halten Sie Kinder und andere Personen während der Benutzung eines Gerätes fern.** Bei Ablenkung können Sie die Kontrolle verlieren.
2. **Elektrische Sicherheit**
  - a. **Der Netzstecker des Geräts muss in die Steckdose passen. Der Stecker darf in keiner Weise verändert werden. Verwenden Sie für schutzgeerdete Geräte keine Adapterstecker.** Unveränderte Stecker und passende Steckdosen verringern das Risiko eines elektrischen Schlages.
  - b. **Vermeiden Sie Körperkontakt mit geerdeten Oberflächen von Rohren, Heizungen, Herden und Kühlschränken.** Es besteht ein erhöhtes Risiko eines elektrischen Schlages, wenn Ihr Körper geerdet ist.
  - c. **Halten Sie Geräte von Regen und Nässe fern.** Das Eindringen von Wasser in ein Gerät erhöht das Risiko eines elektrischen Schlages.
- d. **Verwenden Sie das Kabel ordnungsgemäß. Verwenden Sie es niemals zum Tragen. Trennen Sie das Gerät nicht durch Ziehen am Kabel vom Netz. Halten Sie das Kabel fern von Hitze, Öl, scharfen Kanten oder sich bewegenden Teilen.** Beschädigte oder verwickelte Kabel erhöhen das Risiko eines elektrischen Schlages.
- e. **Wenn Sie mit einem Gerät im Freien arbeiten, verwenden Sie nur Verlängerungskabel, die auch für den Außenbereich zugelassen sind.** Die Verwendung eines für den Außenbereich geeigneten Verlängerungskabels verringert das Risiko eines elektrischen Schlages.
- f. **Wenn das Gerät in einer feuchten Umgebung verwendet werden muss, schließen Sie es unbedingt an eine Steckdose mit Fehlerstromschutzschalter (RCD).** Die Verwendung eines Fehlerstromschutzschalters verringert das Risiko eines elektrischen Schlages.
3. **Sicherheit von Personen**
  - a. **Seien Sie aufmerksam, achten Sie darauf, was Sie tun, und gehen Sie vernünftig mit dem Gerät um. Benutzen Sie das Gerät nicht, wenn Sie müde sind oder unter dem Einfluss von Drogen, Alkohol oder Medikamenten stehen.** Ein Moment der Unachtsamkeit beim Gebrauch von Geräten kann zu ernsthaften Verletzungen führen.
  - b. **Verwenden Sie eine geeignete Schutzausrüstung. Tragen Sie stets eine Schutzbrille.** Schutzausrüstung wie Staubmaske, rutschfeste Sicherheitsschuhe, Schutzhelm oder Gehörschutz, je nach Art und Einsatz des Gerätes, verringert das Risiko von Verletzungen.
  - c. **Vermeiden Sie eine unbeabsichtigte Inbetriebnahme. Vergewissern Sie sich, dass das Gerät ausgeschaltet ist, bevor Sie es an eine Steckdose oder einen Akku schließen, es hochheben oder tragen.** Durch das Tragen des Gerätes mit dem Finger am Schalter oder durch das Anschließen eingeschalteter Geräte werden Unfälle provoziert.
  - d. **Entfernen Sie Einstell- oder Schraubenschlüssel, bevor Sie das Gerät einschalten.** Ein Schlüssel in einem sich drehenden Teil kann zu Verletzungen führen.
  - e. **Strecken Sie sich nicht zu weit nach vorne. Achten Sie auf einen sicheren Stand, um in jeder Arbeitsposition das Gleichgewicht zu halten.** Dadurch können Sie das Gerät in unerwarteten Situationen besser unter Kontrolle halten.

- f. **Tragen Sie geeignete Kleidung. Tragen Sie keine weiße Kleidung oder Schmuck. Halten Sie Haare, Kleidung und Handschuhe fern von sich bewegenden Teilen.** Lockere Kleidung, Schmuck oder lange Haare können von sich bewegenden Teilen erfasst werden.
- g. **Falls Staubabsaug- und -fangvorrichtungen vorhanden sind, vergewissern Sie sich, dass diese angeschlossen sind und richtig verwendet werden.** Diese Vorrichtungen verringern Gefährdungen durch Staub.
4. **Gebrauch und Pflege von Geräten**
- a. **Überlasten Sie das Gerät nicht. Verwenden Sie das für Ihre Arbeit passende Gerät.** Durch das Arbeiten in dem für das Gerät angegebenen Leistungsbereich erzielen Sie nicht nur optimale Ergebnisse, Sie erhöhen auch die Sicherheit.
- b. **Halten Sie das Gerät nicht, wenn der Ein-/Ausschalter nicht funktioniert.** Ein Gerät, das sich nicht mehr ein- oder ausschalten lässt, ist gefährlich und muss repariert werden.
- c. **Ziehen Sie den Stecker aus der Steckdose oder trennen Sie das Gerät vom Akku, bevor Sie Einstellungen vornehmen, Zubehörteile wechseln oder das Gerät weglegen.** Diese Vorsichtsmaßnahme verhindert den unbeabsichtigten Start des Gerätes.
- d. **Bewahren Sie unbenutzte Geräte außerhalb der Reichweite von Kindern auf. Lassen Sie Geräte nicht von Personen benutzen, die damit nicht vertraut sind oder diese Anweisungen nicht gelesen haben.** Geräte sind gefährlich, wenn sie von unerfahrenen Personen benutzt werden.
- e. **Halten Sie Geräte in einem einwandfreien Zustand. Kontrollieren Sie, ob bewegliche Teile falsch ausgerichtet sind oder klemmen und ob Teile gebrochen oder so beschädigt sind, dass die Funktion des Gerätes beeinträchtigt ist. Lassen Sie beschädigte Geräte vor dem Gebrauch reparieren.** Viele Unfälle haben ihre Ursache in schlecht gewarteten Geräten.
- f. **Halten Sie Schneidwerkzeuge scharf und sauber.** Sorgfältig gepflegte Schneidwerkzeuge mit scharfen Schneidkanten verklemmen sich weniger und sind leichter zu führen.
- g. **Verwenden Sie Gerät, Zubehör, Einsatz-Bits usw. entsprechend diesen Anweisungen, und berücksichtigen Sie dabei die Arbeitsbedingungen und die auszuführende Arbeit.** Der Gebrauch von Geräten für andere als die vorgesehenen Anwendungen kann zu gefährlichen Situationen führen.
5. **Service**
- a. **Lassen Sie das Gerät nur von qualifiziertem Fachpersonal und nur mit Originalersatzteilen reparieren.** Die Sicherheit des Geräts bleibt so erhalten.
- Zusätzliche Sicherheitswarnungen für das Gerät**
-  **Achtung!** Zusätzliche Sicherheitswarnungen für Stichsägen.
- ◆ **Halten Sie das Gerät an den isolierten Griffflächen, wenn Sie Arbeiten ausführen, bei denen das Sägeblatt ein verdecktes Kabel oder das Gerätekabel berühren kann.** Bei Kontakt mit unter Spannung stehenden Kabeln überträgt sich diese Spannung auf offen liegende Metallteile am Gerät, was dazu führt, dass der Bediener einen Stromschlag erleidet.
  - ◆ **Fixieren Sie das Werkstück mit Zwingen oder ähnlichen Hilfsmitteln auf einer stabilen Oberfläche.** Wenn Sie das Werkstück nur mit den Händen oder gegen Ihren Körper halten, können Sie leicht die Kontrolle verlieren.
  - ◆ **Halten Sie Ihre Hände von der Schneidzone fern.** Greifen Sie niemals unter das zu schneidende Werkstück. Bringen Sie Finger und Daumen nicht in die Nähe des sich bewegenden Sägeblattes und dessen Klemme. Versuchen Sie nicht, die Säge zu stabilisieren, indem Sie diese am Sägeschuh festhalten.
  - ◆ **Halten Sie die Sägeblätter scharf.** Stumpfe oder beschädigte Sägeblätter können dazu führen, dass die Säge unter Druck blockiert oder ausbricht. Verwenden Sie immer ein für das jeweilige Werkstück und die Art des Schnittes geeignetes Sägeblatt.
  - ◆ **Achten Sie beim Sägen von Rohren oder Leitungen darauf, dass diese frei von Wasser, Stromkabeln und Ähnlichem sind.**
  - ◆ **Unmittelbar nach Gebrauch der Säge sollten Sie weder das Werkstück noch das Sägeblatt berühren.** Beides kann sehr heiß werden.
  - ◆ **Achten Sie auch auf nicht sichtbare Gefahren, wenn Sie in Wände, Böden oder Decken sägen.** Prüfen Sie diese Stellen auf dahinter liegende Kabel oder Rohre.
  - ◆ **Das Sägeblatt bewegt sich auch dann noch, wenn Sie den Schalter losgelassen haben.** Schalten Sie das Gerät vor dem Ablegen stets aus, und warten Sie, bis das Sägeblatt zum Stillstand gekommen ist.
- Achtung!** Die Berührung und das Einatmen von Stäuben, die beim Sägen von Materialien entstehen, können beim Bediener und bei Zuschauern gesundheitliche Schäden

verursachen. Tragen Sie eine speziell für den Schutz vor Stäuben und Dämpfen vorgesehene Staubmaske, und stellen Sie sicher, dass auch andere Personen geschützt sind, die den Arbeitsplatz betreten oder sich dort aufhalten.

- ◆ Entfernen Sie nach dem Schleifen sorgfältig alle Staubreste.
- ◆ Treffen Sie beim Schleifen von möglicherweise bleihaltiger Farbe oder von bestimmten Holz- und Metallarten, die giftigen Staub bilden können, besondere Maßnahmen:
  - Verhindern Sie, dass Kinder oder Schwangere den Arbeitsplatz betreten.
  - Essen, trinken und rauchen Sie nicht am Arbeitsplatz.
  - Entsorgen Sie Staubteilchen und andere Schleifabfälle auf sachgerechte Weise.
- ◆ Dieses Gerät darf nicht von Personen (einschließlich Kindern) mit eingeschränkten körperlichen, sensorischen oder geistigen Fähigkeiten oder mangelnder Erfahrung und Wissen in Bezug auf dessen Gebrauch bedient werden, es sei denn, sie werden bei der Verwendung des Geräts von einer erfahrenen Person beaufsichtigt oder angeleitet. Kinder müssen beaufsichtigt werden, um sicherzustellen, dass sie nicht mit dem Gerät spielen.
- ◆ Der vorgesehene Verwendungszweck ist in dieser Anleitung beschrieben. Die Verwendung von Zubehör oder Anbauteilen, die nicht in dieser Anleitung empfohlen sind, sowie die Bedienung des Geräts in Abweichung von den in dieser Anleitung beschriebenen Verfahren kann zu Verletzungen und/oder Sachschäden führen.

### Vibration

Die im Abschnitt „Technische Daten und Konformitätserklärung“ angegebenen Werte für die Vibrationsemission entsprechen den Richtwerten der genormten Prüfung nach EN 60745 und können zum Vergleich verschiedener Geräte verwendet werden. Außerdem kann mit Hilfe dieses Werts die Belastung bei Verwendung des Geräts schon im Voraus eingeschätzt werden.

**Achtung!** Der während der Verwendung des Geräts gemessene Wert der Vibrationsemission richtet sich nach der Art des Gerätegebrauchs und kann dementsprechend von dem oben angegebenen Wert abweichen. Gegebenenfalls kann die Vibration über dem angegebenen Wert liegen.

Mit Hilfe der ermittelten Werte der Vibrationsbelastung durch Elektrogeräte lassen sich Sicherheitsmaßnahmen festlegen, die gemäß 2002/44/EC zum Schutze von Personen bestimmt sind, die diese Geräte regelmäßig bei der Arbeit verwenden. Bei der Einschätzung der Vibrationsbelastung sollten die Gebrauchsumstände und die Art der Verwendung des Geräts sowie alle Schritte des Arbeitszyklus berücksichtigt werden, wozu Ruhe-, Leerlauf- und Startzeiten gehören.

### Warnsymbole am Geräts



**Achtung!** Lesen Sie vor Gebrauch die Anleitung durch. Andernfalls besteht Verletzungsgefahr.

### Elektrische Sicherheit



Dieses Gerät ist schutzisoliert, daher ist keine Erdleitung erforderlich. Überprüfen Sie immer, ob die Netzspannung der auf dem Typenschild des Gerätes angegebenen Spannung entspricht.

- ◆ Dieses Gerät darf ohne Aufsicht nicht von jungen oder schwachen Personen verwendet werden. Kinder müssen beaufsichtigt werden, um sicherzustellen, dass sie nicht mit dem Gerät spielen.
- ◆ Ist das Netzkabel beschädigt, muss es durch den Hersteller oder eine Black & Decker Vertragswerkstatt ausgetauscht werden, um eine mögliche Gefährdung zu vermeiden.

### Zusätzliche Sicherheitshinweise für nicht aufladbare Batterien

- ◆ Auf keinen Fall öffnen.
- ◆ Nicht bei Temperaturen über 40 °C lagern.
- ◆ Bei der Entsorgung von Batterien die Hinweise im Abschnitt „Umweltschutz“ beachten.

Batterien nicht ins Feuer werfen.

- ◆ Unter extremen Bedingungen können Batterien undicht werden. Wenn Sie bemerken, dass Flüssigkeit austritt, gehen Sie folgendermaßen vor:
  - Wischen Sie die Flüssigkeit vorsichtig mit einem Tuch ab. Vermeiden Sie Hautkontakt.

## Zusätzliche Sicherheitshinweise für Laserprodukte



Lesen Sie diese Anleitung vollständig und aufmerksam durch.



Das Gerät darf nicht von Personen unter 16 Jahren verwendet werden.



Laserstrahlung.



Blicken Sie nicht in den Laserstrahl.



Blicken Sie nicht unter Verwendung optischer Hilfsmittel in den Laserstrahl.

- ◆ Dieser Laser erfüllt die Richtlinien für Laserprodukte der Klasse 2 gemäß IEC 60825+A1+A2:2001. Die Laserdiode des Gerätes darf nicht durch eine Diode anderen Typs ersetzt werden. Im Schadensfall darf der Laser nur durch eine autorisierte Vertragswerkstatt repariert werden.
- ◆ Der Laser darf ausschließlich zum Projizieren einer Laserlinie verwendet werden.
- ◆ Die Strahlung von Laserprodukten der Klasse 2 ist bei kurzzeitiger Einwirkungsdauer (bis zu 0,25 Sekunden) für das Auge ungefährlich. Eine längere Bestrahlung wird normalerweise durch den natürlichen Lidschlussreflex verhindert. Ab einer Entfernung von 1 m erfüllt der Laser die Bedingungen für Laserprodukte der Klasse 1 und ist somit vollständig ungefährlich.
- ◆ Sehen Sie nie direkt und absichtlich in den Laserstrahl.
- ◆ Blicken Sie nicht unter Verwendung optischer Hilfsmittel in den Laserstrahl.
- ◆ Halten Sie das Gerät niemals so, dass die Augen anderer Personen dem Laserstrahl ausgesetzt sind.
- ◆ Achten Sie darauf, dass sich Kinder nicht in der Nähe des Lasers aufhalten.

## Merkmale

1. Feststellknopf
2. Ein-/Ausshalter mit Geschwindigkeitsregler
3. Abdeckung des Aufbewahrungsfachs
4. Verriegelungshebel für Grundplatte
5. Staubabsaugöffnung
6. Staubsaugeradapter
7. Grundplatte
8. Sägeblattführungsrolle
9. Werkzeuglose Sägeblattklemme

## Zusatzfunktionen (Abb. A)

Die Verfügbarkeit der Zusatzfunktionen ist abhängig vom jeweiligen Produkt. Die Zusatzfunktionen für die Katalognummer des erworbenen Geräts finden Sie in Abb. A.

## Montage

**Achtung!** Vergewissern Sie sich vor Ausführung der folgenden Schritte, dass das Gerät ausgeschaltet und vom Stromnetz getrennt ist, und dass das Sägeblatt zum Stillstand gekommen ist. Nach Verwendung der Stichsäge kann das Sägeblatt heiß sein.

## Einsetzen des Sägeblatts (Abb. B)

- ◆ Halten Sie das Sägeblatt (10) wie gezeigt mit den Zähnen nach vorne.
- ◆ Drücken Sie die Sägeblattklemme (9) nach unten, und halten Sie sie gedrückt.
- ◆ Setzen Sie den Schaft des Sägeblatts in den Sägeblatthalter (11) ein, und drücken Sie das Sägeblatt bis zum Anschlag nach unten.
- ◆ Lassen Sie den Verriegelungshebel (9) los.

## Aufbewahrung der Sägeblätter (Abb. C)

Die Sägeblätter können im Aufbewahrungsfach (10) seitlich am Gerät aufbewahrt werden.

- ◆ Öffnen Sie die Abdeckung (3) des Aufbewahrungsfachs, indem Sie die Lasche oben auf der Abdeckung (3) festhalten und herausziehen.
- ◆ Die Sägeblätter werden im Aufbewahrungsfach durch einen Magnetstreifen fixiert. Um ein Sägeblatt zu entnehmen, drücken Sie es an einer Seite nach unten und heben die andere Seite an.
- ◆ Schließen Sie die Abdeckung des Aufbewahrungsfachs (3), und achten Sie darauf, dass sie fest einrastet.

**Achtung!** Die Abdeckklappe muss sicher verschlossen sein, bevor Sie die Säge in Betrieb nehmen.

## Anschließen eines Staubsaugers (Abb. D)

Zum Anschließen eines Staubsaugers oder einer Absaugvorrichtung ist ein Staubsaugeradapter erforderlich. Der Staubsaugeradapter (6) ist bei Ihrem Black & Decker-Händler erhältlich.

- ◆ Schieben Sie den Adapter (6) in die Staubabsaugöffnung (5).
- ◆ Verbinden Sie den Schlauch des Staubsaugers mit dem Adapter (6).

## Gebrauch

### Schwenken der Grundplatte für Gehrungsschnitte (Abb. E und F)

**Achtung!** Betreiben Sie das Gerät nicht mit loser oder abgenommener Grundplatte.

Die Grundplatte (7) kann nach links und rechts bis zu einem Winkel von 45° geschwenkt werden.

- ◆ Ziehen Sie den Verriegelungshebel für die Grundplatte (4) heraus, um die Grundplatte (7) aus der Null-Grad-Position zu lösen (Abb. F).
- ◆ Ziehen Sie die Grundplatte (7) nach vorn, und stellen Sie den gewünschten Gehrungswinkel ein (15°, 30° oder 45°), der im Fenster angezeigt wird.
- ◆ Drücken Sie den Verriegelungshebel für die Grundplatte (4) wieder zum Gerät hin, um die Grundplatte (7) zu verriegeln.

So bringen Sie die Grundplatte (7) wieder in die Position für gerade Schnitte:

- ◆ Ziehen Sie den Verriegelungshebel für die Grundplatte (4) heraus, um die Grundplatte (7) zu entriegeln.
- ◆ Schwenken Sie die Grundplatte (7) zurück in die Ausgangsstellung (Winkel von 0°), und schieben Sie sie nach hinten.
- ◆ Drücken Sie den Verriegelungshebel für die Grundplatte (4) wieder zum Gerät hin, um die Grundplatte (7) zu verriegeln.

### Ein- und Ausschalten

- ◆ Um das Gerät einzuschalten, drücken Sie den Ein/Ausschalter mit Geschwindigkeitsregler (2).
- ◆ Um das Gerät auszuschalten, lassen Sie den Ein/Ausschalter mit Geschwindigkeitsregler (2) los.
- ◆ Drücken Sie zum Arbeiten im Dauerbetrieb die Feststellaste (1) und lassen den Ein-/Ausschalter (2) los.
- ◆ Wenn sich das Gerät im Dauerbetrieb befindet, müssen Sie zum Ausschalten den Ein-/Ausschalter (2) drücken und loslassen.

### Sägen

Halten Sie beim Sägen das Gerät mit beiden Händen fest.

Die Grundplatte (7) sollte fest gegen das Werkstück gedrückt werden. Damit verhindern Sie ein Springen der Säge. Außerdem werden Vibrationen sowie das Bruchrisiko für das Sägeblatt verringert.

- ◆ Lassen Sie das Sägeblatt einige Sekunden freischwingen, bevor Sie mit der Arbeit beginnen.
- ◆ Üben Sie beim Schneiden nicht zuviel Druck auf das Gerät aus.

### Betrieb mit Laser (nur bei Gerätetyp „L“, Abb. G bis I)

#### Einsetzen der Batterien (Abb. G)

Nehmen Sie die Lasereinheit (13) von der Stichsäge ab. Drehen Sie dazu die Schraube (12) heraus, und ziehen Sie die Lasereinheit nach vorne ab. Setzen Sie zwei neue 1,5-Volt-Alkalibatterien der Größe AAA ein. Achten Sie auf die richtige Lage der positiven (+) und negativen (-) Anschlusspole. Bringen Sie die Lasereinheit (13) wieder an.

#### Seitliche Justierung des Lasers (Abb. H)

**Hinweis:** Der Laser unterstützt Sie beim Führen der Säge, garantiert aber keinen präzisen Schnitt.

**Achtung!** Ziehen Sie vor der Justierung des Lasers den Netzstecker.

- ◆ Richten Sie bei Bedarf Laserlinie und Sägeblatt mithilfe der Laserjustierschraube (14) aus.

Eine Überhitzung kann dazu führen, dass die projizierte Laserlinie schwächer wird. Wird die Säge längere Zeit mit zu hoher Last betrieben, verschwindet die Linie möglicherweise ganz. Sie wird wieder sichtbar, wenn sich das Gerät abkühlt (auch bei ausgeschaltetem und vom Stromnetz getrenntem Gerät).

**Achtung!** Lassen Sie im Fall einer Überhitzung den Laser nicht eingeschaltet. Schalten Sie ihn aus, und nehmen Sie die Batterien heraus, um seine Stromversorgung zu unterbrechen.

#### Verwenden des Lasers (Abb. I und J)

Der Laser projiziert die Schnittlinie (17) auf die Oberfläche des Werkstücks.

- ◆ Zum Einschalten des Lasers drücken Sie den Ein-/Ausschalter (15).
- ◆ Zum Ausschalten des Lasers drücken Sie erneut den Ein-/Ausschalter (15).

Wenn Sie von oben auf die Stichsäge blicken, können Sie der Schnittlinie (16) problemlos folgen. Sollte dieser Blickwinkel nicht möglich sein, kann die Laserlinie als Führungshilfe verwendet werden.

- ◆ Markieren Sie die Schnittlinie (16) mit einem geeigneten Stift.
- ◆ Richten Sie die Stichsäge über der Linie (16) aus.
- ◆ Schalten Sie den Laser ein.

### Betrieb mit Arbeitslicht (nur bei Gerätetyp „W“, Abb. K und L)

Geräte mit einem „W“ in der Katalognummer sind mit einer LED-Lampe (18) ausgestattet, um den Arbeitsbereich auszuleuchten.

- ◆ Zum Einschalten der Lampe stellen Sie den Ein-/Ausschalter (19) auf die Position „Ein“ (I).

- ◆ Zum Ausschalten der Lampe stellen Sie den Ein-/Ausschalter (19) auf die Position „Aus“ (0).

## Hinweise für optimale Funktion

### Sägen von Laminat

Beim Sägen von Laminat kann die sichtbare Oberfläche splintern. Der Schnittvorgang der meisten Sägeblätter geschieht bei der Aufwärtsbewegung. Verwenden Sie deshalb, wenn sich die Grundplatte des Geräts auf der hochwertigen Oberfläche befindet, ein Sägeblatt, das bei der Abwärtsbewegung schneidet, oder:

- ◆ Verwenden Sie ein Sägeblatt mit feiner Zahnung.
- ◆ Drehen Sie das Werkstück um, und setzen Sie die Säge an der Unterseite an.
- ◆ Ausgefranste Kanten und Absplinterungen können Sie auch vermeiden, indem Sie das zu sägende Werkstück zwischen zwei Holz- oder Pressspanplatten einspannen und dieses „Sandwich“ sägen.

### Sägen von Metall

Beim Sägen von Metall erfolgt der Vorschub wesentlich langsamer als bei Werkstücken aus Holz.

- ◆ Verwenden Sie ein Sägeblatt, das zum Sägen von Metall geeignet ist.
- ◆ Spannen Sie dünne Metallbleche zum Sägen auf eine Holz- oder Pressspanplatte.
- ◆ Bringen Sie einen dünnen Ölfilm entlang der beabsichtigten Schnittlinie auf.

## Wartung

Ihr Black & Decker Gerät wurde im Hinblick auf eine lange Lebensdauer und einen möglichst geringen Wartungsaufwand entwickelt. Ein dauerhafter, einwandfreier Betrieb setzt eine regelmäßige Pflege und Reinigung voraus.

- ◆ Reinigen Sie regelmäßig die Lüftungsschlitze des Geräts mit Hilfe einer weichen Bürste oder eines trockenen Tuchs.
- ◆ Reinigen Sie regelmäßig das Motorgehäuse mit Hilfe eines feuchten Tuchs. Verwenden Sie keine scheuernden Reinigungsmittel oder Reinigungsmittel auf Lösungsmittelbasis. Achten Sie darauf, dass keine Flüssigkeit in das Gerät gelangt. Tauchen Sie kein Teil des Gerätes in Flüssigkeit ein.

## Umweltschutz



Getrennte Entsorgung. Dieses Produkt darf keinesfalls mit dem Hausmüll entsorgt werden.

Sollten Sie Ihr Black & Decker-Produkt eines Tages ersetzen oder nicht mehr benötigen, entsorgen Sie es nicht mit dem Hausmüll. Führen Sie das Produkt einer getrennten Sammlung zu.



Durch die separate Sammlung von ausgedienten Produkten und Verpackungsmaterialien können Rohstoffe recycelt und wieder verwendet werden. Die Wiederverwendung aufbereiteter Materialien trägt zur Vermeidung der Umweltverschmutzung bei und senkt den Rohstoffbedarf.

Die Verordnung zur Abfallentsorgung Ihrer Gemeinde sieht möglicherweise vor, dass Elektrogeräte getrennt vom Hausmüll gesammelt, an der örtlichen Abfallentsorgungseinrichtung abgegeben oder beim Kauf eines neuen Produkts vom Fachhandel zur Entsorgung angenommen werden müssen.

Black & Decker nimmt Ihre ausgedienten Black & Decker-Geräte gern zurück und sorgt für eine umweltfreundliche Entsorgung bzw. Wiederverwertung. Um diese Dienstleistung in Anspruch zu nehmen, geben Sie das Gerät bitte bei einer autorisierten Reparaturwerkstatt ab, die für uns die Einsammlung übernimmt.

Die Adresse der zuständigen Niederlassung von Black & Decker steht in dieser Anleitung. Diese teilt Ihnen gerne die nächstgelegene Vertragswerkstatt mit. Außerdem ist eine Liste der Vertragswerkstätten und aller Kundendienststellen von Black & Decker sowie der zuständigen Ansprechpartner im Internet zu finden unter: [www.2helpU.com](http://www.2helpU.com).



Denken Sie bei der Entsorgung von verbrauchten Batterien an unsere Umwelt. Entnehmen Sie die Batterien, wie oben beschrieben.

- ◆ Verpacken Sie die Batterien in einem geeigneten Behälter, so dass die Batteriekontakte nicht kurzgeschlossen werden können.
- ◆ Bringen Sie alte Batterien zu einer Rücknahmestelle in Ihrer Nähe.



**Technische Daten**

KS800E Reihe	
Spannung	VAC 230
Aufnahmeleistung	W 520
Leerlaufdrehzahl	min <sup>-1</sup> 0-3000
maximaleSchnitttiefe	
Holz	mm 70
Stahl	mm 5
Aluminium	mm 15
Gewicht	kg 2,2

**EU-Konformitätserklärung**

KS800E Reihe

Black & Decker erklärt, dass diese Produkte den folgenden Normen entsprechen:

98/37/EG, 2006/95/EWG, EN 60745, EN 55014, EN61000, IEC 60825+A1+A2:2001

Schalldruckpegel, gemäß EN 60745:

Schalldruck ( $L_{pA}$ ) 89 dB(A), Unsicherheitsfaktor ( $K$ ) 3 dB(A)  
 Schalleistung ( $L_{WA}$ ) 100 dB(A),  
 Unsicherheitsfaktor ( $K$ ) 3 dB(A)

Gesamtvibration (Triax-Vektorsumme) gemäß EN 60745:

Holzschneiden ( $a_{h, CW}$ ) 6.0 m/s<sup>2</sup>,

Unsicherheitsfaktor ( $K$ ) 1.5 m/s<sup>2</sup>

Schneiden von Metallblechen ( $a_{h, CM}$ ) 6.5 m/s<sup>2</sup>,

Unsicherheitsfaktor ( $K$ ) 1.5 m/s<sup>2</sup>



Kevin Hewitt

Director of Consumer Engineering  
 Spennymoor, County Durham DL16 6JG,  
 Vereinigtes Königreich  
 01-10-2007

- ◆ wenn das Gerät gewerblich, beruflich oder im Verleihgeschäft benutzt wurde;
- ◆ wenn das Gerät missbräuchlich verwendet oder mit mangelnder Sorgfalt behandelt wurde;
- ◆ wenn das Gerät durch irgendwelche Fremdeinwirkung beschädigt wurde;
- ◆ wenn ein unbefugter Reparaturversuch durch anderes Personal als das einer Vertragswerkstatt oder des Black & Decker-Kundendienstes unternommen wurde.

Zur Inanspruchnahme dieser Garantie ist dem Verkäufer bzw. der Vertragswerkstatt ein Kaufnachweis vorzulegen. Die Adresse der zuständigen Niederlassung von Black & Decker steht in dieser Anleitung. Diese teilt Ihnen gerne die nächstgelegene Vertragswerkstatt mit. Außerdem ist eine Liste der Vertragswerkstätten und aller Kundendienststellen von Black & Decker sowie der zuständigen Ansprechpartner im Internet zu finden unter:

**www.2helpU.com.**

Bitte besuchen Sie unsere Website

**www.blackanddecker.de**, um Ihr neues Black & Decker Produkt zu registrieren und sich über neue Produkte und Sonderangebote zu informieren. Weitere Informationen über die Marke Black & Decker und unsere Produkte finden Sie unter **www.blackanddecker.de**.

**Garantie**

Black & Decker vertraut auf die Qualität der eigenen Geräte und bietet dem Käufer eine außergewöhnliche Garantie. Diese Garantiezusage versteht sich unbeschadet der gesetzlichen Gewährleistungsansprüche und schränkt diese keinesfalls ein. Sie gilt in sämtlichen Mitgliedsstaaten der Europäischen Union und der Europäischen Freihandelszone EFTA.

Tritt innerhalb von 24 Monaten ab Kaufdatum an einem Gerät von Black & Decker ein auf Material- oder Verarbeitungsfehler zurückzuführender Mangel auf, garantiert Black & Decker den Austausch defekter Teile, die Reparatur von Geräten mit üblichem Verschleiß bzw. den Austausch eines mangelhaften Gerätes, ohne dass dem Kunden dabei mehr als unvermeidlich Unannehmlichkeiten entstehen, allerdings vorbehaltlich folgender Ausnahmen:

## Utilisation

Votre scie sauteuse Black & Decker a été spécialement conçue pour scier du bois, du métal et du plastique. Son utilisation doit rester exclusivement domestique.

## Consignes de sécurité

### Consignes de sécurité concernant les outils électroportatifs



**Attention ! Lisez avec attention tous les avertissements et toutes les instructions.** Le non-respect de cette consigne peut entraîner une électrocution, un incendie et/ou de graves blessures.

### Conservez tous les avertissements et instructions pour référence ultérieure.

La notion d'« outil électroportatif » mentionnée par la suite se rapporte à des outils électriques raccordés au secteur (avec câble de raccordement) ou fonctionnant avec batterie (sans fil).

1. **Sécurité de la zone de travail**
    - a. **Maintenez la zone de travail propre et bien éclairée.** Un lieu de travail en désordre ou mal éclairé augmente le risque d'accidents.
    - b. **N'utilisez pas les outils électroportatifs dans un environnement présentant des risques d'explosion ni en présence de liquides, gaz ou poussières inflammables.** Les outils électroportatifs génèrent des étincelles risquant d'enflammer les poussières ou les vapeurs.
    - c. **Pendant l'utilisation d'un outil électroportatif, les enfants et autres personnes doivent rester éloignés.** En cas d'inattention, vous risquez de perdre le contrôle de l'outil.
  2. **Sécurité électrique**
    - a. **La prise de l'outil électroportatif doit convenir à la prise de courant. Ne modifiez en aucun cas la prise. N'utilisez pas de prises d'adaptateur avec des appareils ayant une prise de terre.** Le respect de ces consignes réduit le risque de choc électrique.
    - b. **Évitez le contact physique avec des surfaces mises à la terre telles que tuyaux, radiateurs, fours et réfrigérateurs.** Le risque de choc électrique augmente si votre corps est relié à la terre.
    - c. **N'exposez pas l'outil électroportatif à la pluie ni à l'humidité.** La pénétration d'eau dans un outil électroportatif augmente le risque de choc électrique.
  - d. **Préservez le câble d'alimentation. N'utilisez pas le câble pour porter l'outil, pour l'accrocher ou encore pour le débrancher. Maintenez le câble éloigné des sources de chaleurs, des parties huilées, des bords tranchants ou des parties de l'appareil en rotation.** Le risque de choc électrique augmente si les câbles sont endommagés ou emmêlés.
  - e. **Si vous utilisez l'outil électroportatif à l'extérieur, utilisez une rallonge homologuée pour utilisation à l'air libre.** L'utilisation d'une rallonge électrique homologuée pour les travaux à l'extérieur réduit le risque de choc électrique.
  - f. **Si l'outil doit être utilisé dans un endroit humide, prenez les précautions nécessaires en utilisant un dispositif à courant résiduel (RCD).** L'utilisation d'un tel dispositif réduit les risques d'électrocution.
3. **Sécurité personnelle**
    - a. **Restez vigilant, surveillez ce que vous faites. Faites preuve de bon sens quand vous utilisez un outil électroportatif. N'utilisez pas l'outil lorsque vous êtes fatigué ou après avoir consommé de l'alcool ainsi que des médicaments.** Un moment d'inattention lors de l'utilisation de l'outil peut entraîner de graves blessures.
    - b. **Portez un équipement de protection. Portez toujours des lunettes de protection.** Selon le travail à effectuer, le port d'équipement de protection tels que masque anti-poussières, chaussures de sécurité antidérapantes, casque ou protection auditive, réduit le risque de blessures.
    - c. **Évitez un démarrage imprévu. L'appareil doit être en position OFF (arrêt) avant d'effectuer le branchement à l'alimentation et/ou au bloc-batterie, de le ramasser ou de le porter.** Ne laissez pas votre doigt sur le bouton de commande, ceci peut être à l'origine d'accident.
    - d. **Retirez tout outil ou clé de réglage avant de mettre l'outil en marche.** Une clé ou un outil se trouvant sur une partie en rotation peut causer des blessures.
    - e. **Adoptez une position confortable. Adoptez une position stable et gardez votre équilibre en permanence.** Vous contrôlerez ainsi mieux l'outil dans des situations inattendues.
    - f. **Portez des vêtements appropriés. Ne pas porter de vêtements flottants ou de bijoux. N'approchez pas les cheveux, vêtements ou gants des parties des pièces mobiles.** Les vêtements amples, les bijoux ou les cheveux longs peuvent être attrapés dans les pièces en mouvement.

g. En cas d'utilisation d'appareils servant à aspirer ou à recueillir les poussières, assurez-vous qu'ils sont correctement raccordés et utilisés. L'utilisation de tels appareils permet de réduire les dangers liés aux poussières.

#### 4. Utilisation des outils électroportatifs et précautions

- a. **Respectez la capacité de l'outil. Utilisez l'outil électroportatif approprié pour le travail à effectuer.** Avec un outil approprié, vous travaillerez mieux et en toute sécurité.
- b. **N'utilisez pas un outil électroportatif dont l'interrupteur marche/arrêt est défectueux.** Un outil électroportatif qui ne peut plus être mis en marche ou arrêter est dangereux et doit être réparé.
- c. **Retirez la prise de courant et/ou débranchez le bloc-batterie avant d'effectuer des réglages, de changer les accessoires ou de ranger l'outil.** Cette mesure de précaution empêche de mettre l'outil en marche accidentellement.
- d. **Rangez les outils électroportatifs hors de portée des enfants. Les personnes ne connaissant pas l'outil ou n'ayant pas lu ces instructions ne doivent en aucun cas l'utiliser.** Les outils électroportatifs sont dangereux lorsqu'ils sont utilisés par des personnes non initiées.
- e. **Prenez soin des outils électroportatifs. Vérifiez que les parties en mouvement fonctionnent correctement et qu'elles ne sont pas coincées. Vérifiez qu'il n'y a pas de pièces cassées ou endommagées susceptibles de nuire au bon fonctionnement de l'outil. S'il est endommagé, faites réparer l'outil avant de l'utiliser.** De nombreux accidents sont la conséquence d'outils mal entretenus.
- f. **Maintenez les outils de coupe aiguisés et propres.** Des outils soigneusement entretenus avec des bords tranchants bien aiguisés se coincent moins souvent et peuvent être guidés plus facilement.
- g. **Utilisez les outils électroportatifs, les accessoires, etc. en suivant ces instructions et en tenant compte des conditions de travail, ainsi que du travail à effectuer.** L'utilisation des outils électroportatifs à d'autres fins que celles prévues peut vous mettre en situation dangereuse.

#### 5. Réparations

- a. **Faites réparer votre outil électroportatif uniquement par du personnel qualifié et seulement avec des pièces de rechange appropriées.** La fiabilité de l'outil sera ainsi maintenue.

#### Consignes de sécurité supplémentaires concernant les outils électroportatifs



**Attention !** Consignes de sécurité supplémentaires pour scies sauteuses.

- ♦ **Tenez l'outil au niveau des surfaces de prise isolées.** Ceci permet d'éviter les accidents en cas de contact de l'outil avec des fils cachés ou son propre câble. En touchant un fil sous tension, la charge électrique passe dans les parties métalliques de l'outil et il y a risque de choc électrique.
  - ♦ **Utilisez des pinces ou autres pour fixer et soutenir la pièce de manière stable.** Si vous la tenez à la main ou contre votre corps, elle ne sera pas stable et vous pouvez en perdre le contrôle.
  - ♦ **Éloignez vos mains des zones de découpe.** Ne cherchez jamais à atteindre la pièce à découper par dessous. Ne passez pas vos doigts ou pouces à proximité de la fixation de la lame et de la lame en mouvement. Ne cherchez pas à stabiliser la scie en attrapant la semelle.
  - ♦ **Les lames doivent toujours être aiguisées.** Les lames émoussées ou endommagées peuvent faire déraiper ou bloquer la scie pendant le fonctionnement. Utilisez toujours le type approprié de lame correspondant au matériau de la pièce à couper.
  - ♦ **Avant de couper un tuyau ou une conduite, assurez-vous qu'il n'y a ni eau, ni fil électrique, etc. autour.**
  - ♦ **Ne touchez pas la pièce coupée ou la lame immédiatement après avoir utilisé l'outil.** Elles peuvent être très chaudes.
  - ♦ **Prenez garde aux dangers cachés. Avant de couper des murs, des planchers ou des plafonds, vérifiez l'emplacement des câblages et tuyaux.**
  - ♦ **Le mouvement de la lame continue après avoir relâché le bouton.** Après avoir arrêté la scie, attendez que la lame se stabilise complètement avant de poser l'outil.
- Attention !** Tout contact ou inhalation de poussières pendant la coupe peut représenter un danger pour la santé de l'opérateur ainsi, qu'éventuellement, des personnes autour. Portez un masque contre la poussière spécialement conçu pour vous protéger des sciures et des fumées toxiques et veillez à ce que les personnes se trouvant à l'intérieur de la zone de travail ou y pénétrant soient également protégées.
- ♦ Enlevez soigneusement toute poussière après le ponçage.
  - ♦ Faites spécialement attention lorsque vous poncez de la peinture pouvant être à base de plomb ou lorsque

vous poncez des bois et des métaux pouvant produire de la poussière toxique :

- Ne laissez pas les enfants ou les femmes enceintes entrer dans la zone de travail.
- Ne mangez pas, ne buvez pas ou ne fumez pas dans la zone de travail.
- Nettoyez l'outil de toutes particules de poussière et autres débris.
- ◆ Cet outil ne peut être utilisé par des personnes (y compris des enfants) ayant des capacités mentales, sensorielles ou physiques réduites, ou celles manquant d'expérience et de connaissances, à moins qu'elles ne soient encadrées ou qu'elles n'aient été formées à l'utilisation de l'appareil par une personne responsable de leur sécurité. Ne laissez jamais les enfants sans surveillance pour éviter qu'ils ne jouent avec cet appareil.
- ◆ Ce manuel d'instructions décrit comment utiliser cet appareil. L'utilisation d'un accessoire ou d'une fixation, ou bien l'utilisation de cet appareil à d'autres fins que celles recommandées dans ce manuel d'instructions peut entraîner des blessures et/ou des dommages matériels.

## Vibration

La valeur d'émission de vibration déclarée dans la section Déclaration/Données techniques de conformité a été mesurée selon une méthode d'essai standard fournie par la norme EN60745 et peut être utilisée pour comparer un outil à un autre. Elle peut aussi être utilisée pour une évaluation préliminaire à l'exposition.

**Attention !** Selon la manière dont l'outil est utilisé, la valeur d'émission de vibration pendant l'utilisation en cours de l'outil peut être différente de la valeur déclarée. Le niveau de vibration peut augmenter au-dessus du niveau établi.

Quand l'exposition aux vibrations est évaluée afin de déterminer les mesures de sécurité requises par la norme 2002/44/EC pour protéger les personnes utilisant régulièrement des outils électroportatif, il faut tenir compte une estimation de l'exposition aux vibrations, les conditions actuelles d'utilisation et la manière dont l'outil est utilisé. Il faut aussi tenir compte de toutes les pièces du cycle de fonctionnement comme la durée pendant laquelle l'outil est arrêté et quand il fonctionne au ralenti, ainsi que la durée du déclenchement.

## Étiquettes de l'outils



**Attention !** Pour réduire le risque de blessures, l'utilisateur doit lire les instructions du manuel.

## Sécurité électrique



Cet outil est doublement isolé ; par conséquent, aucun câble de masse n'est nécessaire. Vérifiez si l'alimentation mentionnée sur la plaque signalétique de l'appareil correspond bien à la tension présente sur le lieu.

- ◆ Cet appareil n'est pas destiné à être utilisé par des personnes jeunes ou déficientes sans surveillance. Afin d'éviter que les enfants jouent avec cet appareil, ne les laissez pas sans surveillance.
- ◆ Si le câble d'alimentation est endommagé, il doit être remplacé par le fabricant ou par un centre de réparation agréé Black & Decker pour éviter tout risque.

## Consignes de sécurité supplémentaires pour piles non-rechargeables

- ◆ En aucun cas, n'essayez d'ouvrir l'appareil.
- ◆ Ne le rangez pas dans des endroits où la température peut dépasser 40 °C.
- ◆ Pour jeter les batteries, suivez les instructions données dans la section "Protection de l'environnement".

Ne jetez pas les piles au feu.

- ◆ Dans des conditions extrêmes, une pile peut couler. Si vous repérez des traces de liquide sur les piles, effectuez ce qui suit :
  - Avec un chiffon, essuyez le liquide en prenant toutes les précautions nécessaires. Éviter tout contact avec la peau.

## Consignes de sécurité supplémentaires pour utilisation du laser



Lisez attentivement le manuel complet.



Cet appareil ne doit pas être utilisé par des enfants de moins de 16 ans.



Rayonnement laser.



Ne jamais regarder le faisceau à l'œil nu.



Ne jamais utiliser d'instrument d'optique pour regarder le faisceau.

- ◆ Ce laser est conforme aux normes de sécurité 60825+A1+A2:2001, classe 2 du CEI. Ne jamais remplacer une diode laser par une diode d'un type différent. Si le laser est endommagé, faites le réparer par un réparateur agréé.
- ◆ N'utilisez jamais le laser à des fins autres que la projection de raies laser.

- ◆ La vision directe du rayon laser de classe 2 n'est pas considérée comme dangereuse jusqu'à 0,25 secondes. La protection de l'œil est normalement assurée par le réflexe de clignement. À plus de 1m, le rayonnement laser correspond au laser de classe 1 et ne présente aucun risque.
- ◆ Ne jamais regarder directement et volontairement le rayon laser.
- ◆ Ne jamais utiliser d'instrument d'optique pour regarder le faisceau.
- ◆ Installez l'outil en prenant soin d'éviter que le rayon laser ne puisse atteindre personne à la hauteur de la tête.
- ◆ Ne laissez pas les enfants approcher du laser.

### Caractéristiques

1. Bouton de verrouillage
2. Bouton marche/arrêt sélecteur de vitesse
3. Couvercle du boîtier de rangement des lames
4. Levier de verrouillage de semelle
5. Sortie de refoulement de poussière
6. Adaptateur de dé poussierage
7. Semelle
8. Rouleau du support de lame
9. Fixation de la lame

### Options supplémentaires (figure A)

Des options supplémentaires peuvent exister en fonction de l'appareil acheté. Ces options accompagnées du numéro de catalogue sont représentées dans la figure A.

### Assemblage

**Attention !** Avant d'exécuter ce qui suit, assurez-vous que l'appareil est éteint, débranché et que la lame n'est plus en mouvement. Les lames, après utilisation, peuvent être chaudes.

#### Mise en place de la lame (figure B)

- ◆ Maintenez la lame (10) comme indiqué, avec les dents orientées vers l'avant
- ◆ Poussez et maintenez la fixation de lame (9).
- ◆ Insérez la tige de la lame dans le support de lame (11) le plus loin possible.
- ◆ Relâchez la fixation de lame (9).

#### Rangement de la lame (figure C)

Les lames de scie (10) peuvent être rangées dans le boîtier de rangement sur le côté de l'outil.

- ◆ Ouvrez le couvercle (3) du boîtier de rangement en poussant la patte sur le haut du couvercle (3) vers l'extérieur.
- ◆ Les lames sont maintenues dans le compartiment par une bande magnétique. Appuyez sur une extrémité de la lame pour soulever l'autre extrémité et la retirer.

- ◆ Fermez le couvercle du boîtier de rangement (3) et vérifiez le verrouillage.

**Attention !** Fermez correctement le couvercle avant d'utiliser la scie.

#### Raccordement d'un aspirateur à l'outil (figure D)

Il faut un adaptateur pour connecter l'aspirateur ou le récupérateur de poussière à l'outil. L'adaptateur (6) peut être acheté auprès d'un revendeur Black & Decker.

- ◆ Poussez l'adaptateur (6) dans la sortie de refoulement de poussière (5).
- ◆ Raccordez le tuyau d'aspirateur à l'adaptateur (6).

### Utilisation

#### Réglage de semelle pour coupe en biais (figure E et F)

**Attention !** N'utilisez jamais l'outil sans la semelle, ou si celle-ci est desserrée.

La semelle (7) peut être réglée pour un angle de biseau gauche ou droit allant jusqu'à 45°.

- ◆ Tirez le levier de verrouillage de la semelle (4) vers l'extérieur pour déverrouiller la semelle (7) de la position 0° (figure F).
- ◆ Tirez la semelle (7) vers l'avant et réglez le biseau sur 15°, 30° et 45° comme indiqué.
- ◆ Repoussez le levier de verrouillage (4) vers la scie pour verrouiller la semelle (7).

Pour remettre la semelle (7) en position de coupe droite :

- ◆ Tirez le levier de verrouillage (4) vers l'extérieur pour déverrouiller la semelle (7).
- ◆ Installez la semelle (7) dans un angle d'environ 0°, puis poussez-la vers l'arrière.
- ◆ Repoussez le levier de verrouillage (4) vers la scie pour verrouiller la semelle (7).

#### Démarrer et arrêter

- ◆ Pour mettre l'appareil en marche, appuyez sur le bouton marche/arrêt sélecteur de vitesse (2).
- ◆ Pour arrêter l'appareil, relâchez le bouton marche/arrêt sélecteur de vitesse (2).
- ◆ Pour une coupe continue, appuyez sur le bouton de verrouillage (1) et relâchez le bouton marche/arrêt (2).
- ◆ Pour arrêter l'outil pendant une coupe continue, appuyez puis relâchez le bouton marche/arrêt (2).

#### Scier

Tenez fermement l'outil avec les deux mains pendant la découpe.

La semelle (7) doit s'appuyer fermement contre la pièce à découper. Ceci permet d'éviter les sursauts de la scie, de réduire les vibrations et de diminuer la casse des lames.

- ◆ Laissez la lame fonctionner librement pendant quelques secondes avant de commencer la découpe.
- ◆ N'appliquez qu'une légère pression sur l'outil pendant la découpe.

## Utilisation du laser (figure G - I) (référence 'L' uniquement)

### Installation des piles (figure G)

Dévissez la vis (12) et retirez le module laser (13) en le tirant vers l'avant. Insérez dans le bon sens les deux nouvelles piles 1,5 V AAA. Refixez le module laser (13).

### Réglage du laser (figure H)

**Remarque :** le laser facilite le travail de coupe mais ne garantit pas la précision.

**Attention !** N'ajustez pas le laser avec la scie sauteuse branchée.

- ◆ Utilisez la vis de réglage sur le module laser (14) pour aligner la ligne laser avec la lame, si nécessaire.

Le laser sera moins visible en cas de surchauffe de la scie. Le laser peut être invisible si la scie est en surcharge pendant une période prolongée. Il réapparaît progressivement quand l'outil refroidit, même quand l'outil est débranché.

**Attention !** Ne pas laisser un laser surchauffé en marche. Assurez-vous que l'interrupteur est en position OFF (arrêt) et retirez les piles pour ne plus alimenter le laser.

### Utilisation du laser (figure I et J)

Le laser projette la ligne de coupe (17) sur la surface de la pièce.

- ◆ Pour mettre le laser en marche, appuyez sur le bouton (15).
- ◆ Pour arrêter le laser, appuyez de nouveau sur le bouton (15).

En regardant directement au-dessus de la scie, il est facile de suivre la ligne de coupe (16). Si, pour une raison quelconque le rayon n'est pas visible, le laser peut être utilisé comme second guide de coupe.

- ◆ Utilisez un crayon pour repérer la ligne de coupe (16).
- ◆ Positionnez la scie sur la ligne (16).
- ◆ Mettez en marche le laser.

### Utilisation de la lampe de travail (figure K et L) (référence 'W' uniquement)

Les appareils avec référence 'W' dans le numéro de catalogue sont équipés d'une lampe (18) qui éclaire autour de la lame.

- ◆ Pour allumer la lampe, glissez le bouton (19) sur la position (I).

- ◆ Pour éteindre la lampe, glissez le bouton (19) sur la position (0).

## Conseils pour une utilisation optimale

### Coupe de contreplaqué

Les éclats dus à la découpe du contreplaqué, peuvent endommager la surface apparente. La plupart des lames coupent en montant. Si la semelle est posée sur la surface apparente, utilisez une lame qui coupe en descendant ou :

- ◆ Utilisez une lame à dents fines.
- ◆ Sciez à partir de l'arrière de la pièce.
- ◆ Pour limiter les éclats, serrez un morceau de bois ou de panneau dur des deux côtés de la pièce et sciez à travers cette épaisseur.

### Coupe du métal

Scier du métal prend beaucoup plus de temps que de scier du bois.

- ◆ Utilisez une lame adaptée à la coupe de métal.
- ◆ Pour couper une fine épaisseur de métal, serrez une pièce de bois à l'arrière de la pièce à couper et sciez à travers l'épaisseur.
- ◆ Appliquez un filet d'huile le long de la ligne de coupe.

## Entretien

Votre outil Black & Decker a été conçu pour fonctionner pendant longtemps avec un minimum d'entretien. Un fonctionnement continu satisfaisant dépend d'un nettoyage régulier et d'un entretien approprié de l'outil.

- ◆ Nettoyez régulièrement les orifices de ventilation de votre outil à l'aide d'une brosse souple ou d'un chiffon sec.
- ◆ Nettoyez régulièrement le compartiment du moteur à l'aide d'un chiffon humide. N'utilisez pas de produit abrasif ou à base de solvant. Évitez toute pénétration de liquide dans l'outil et ne plongez aucune pièce dans du liquide.

## Protection de l'environnement



Recyclage. Cet outil ne doit pas être jeté avec les déchets ménagers.

Si votre outil Black & Decker doit être remplacé ou si vous n'en avez plus l'usage, ne le jetez pas avec les ordures ménagères. Songez à la protection de l'environnement et recyclez-les.



La collecte séparée des produits et des emballages usagés permet de recycler et de réutiliser des matériaux. La réutilisation de matériaux recyclés évite la pollution de l'environnement et réduit la demande de matières premières.

Des réglementations locales peuvent stipuler la collecte séparée des produits électriques et des produits ménagers, dans des déchetteries municipales ou par le revendeur lorsque vous achetez un nouveau produit.

Black & Decker offre une solution permettant de recycler les produits Black & Decker lorsqu'ils ont atteint la fin de leur cycle de vie. Pour pouvoir profiter de ce service, veuillez retourner votre produit à un réparateur agréé qui se chargera de le collecter pour nous.

Pour connaître l'adresse du réparateur agréé le plus proche de chez vous, contactez le bureau Black & Decker à l'adresse indiquée dans ce manuel. Vous pourrez aussi trouver une liste de réparateurs agréés de Black & Decker et de plus amples détails concernant notre service après-vente sur le site Internet : [www.2helpU.com](http://www.2helpU.com).



Quand les piles sont hors d'usage, jetez-les en conformité avec la protection de l'environnement. Retirez les piles, comme décrit ci-dessus.

◆ Placez les piles dans un emballage approprié pour éviter un court-circuit.

◆ Jetez les piles dans un centre de recyclage local.

### Caractéristiques techniques

	Série KS800E
Tension	V c.a. 230
Puissance nominale	W 520
Aucune vitesse de charge	min <sup>-1</sup> 0-3000
Profondeur maximum de coupe	
Bois	mm 70
Acier	mm 5
Aluminium	mm 15
Poids	kg 2,2

## Déclaration de conformité CE

Série KS800E

Black & Decker déclare que ces produits sont conformes à :  
98/37/EC, 2006/95/CEE, EN 60745, EN 55014, EN61000,  
CEI 60825+A1+A2:2001

Niveau de pression sonore selon la norme EN 60745 :  
Pression sonore ( $L_{pA}$ ) 89 dB(A), incertitude (K) 3 dB(A)  
Puissance acoustique ( $L_{WA}$ ) 100 dB(A),  
incertitude (K) 3 dB(A)

Valeurs totales des vibrations (somme vectorielle triaxiale)  
selon la norme EN 60745 :

Coupe, bois ( $a_{h, CW}$ ) 6,0 m/s<sup>2</sup>, incertitude (K) 1,5 m/s<sup>2</sup>  
Coupe, feuille en métal ( $a_{h, CM}$ ) 6,5 m/s<sup>2</sup>,  
incertitude (K) 1,5 m/s<sup>2</sup>

Kevin Hewitt  
Directeur Ingénierie Client  
Spennymoor, County Durham DL16 6JG,  
Royaume-Uni  
01-10-2007

## Garantie

Black & Decker vous assure la qualité de ses produits et vous offre une garantie très étendue. Ce certificat de garantie est un document supplémentaire et ne peut en aucun cas se substituer à vos droits légaux. La garantie est valable sur tout le territoire des États Membres de l'Union Européenne et de la Zone de Libre Échange Européenne.

Si un produit Black & Decker s'avère défectueux en raison de matériaux en mauvais état, d'une erreur humaine, ou d'un manque de conformité dans les 24 mois suivant la date d'achat, Black & Decker garantit le remplacement des pièces défectueuses, la réparation des produits usés ou cassés ou remplace ces produits à la convenance du client, sauf dans les circonstances suivantes :

- ◆ Le produit a été utilisé dans un but commercial, professionnel, ou a été loué.
- ◆ Le produit a été mal utilisé ou avec négligence.
- ◆ Le produit a subi des dommages à cause de corps étrangers, de substances ou d'accidents.
- ◆ Des réparations ont été tentées par des techniciens ne faisant pas partie du service technique de Black & Decker.

Pour avoir recours à la garantie, il est nécessaire de fournir une preuve d'achat au vendeur ou à un réparateur agréé. Pour connaître l'adresse du réparateur agréé le plus proche de chez vous, contactez le bureau Black & Decker à l'adresse indiquée dans ce manuel. Vous pourrez aussi trouver une liste de réparateurs agréés de Black & Decker et de plus amples détails sur notre service après-vente sur le site Internet à l'adresse suivante :

**[www.2helpU.com](http://www.2helpU.com)**

Visitez notre site Web **[www.blackanddecker.fr](http://www.blackanddecker.fr)** pour enregistrer votre nouveau produit Black & Decker et être informé des nouveaux produits et des offres spéciales. Pour plus d'informations concernant la marque Black & Decker et notre gamme de produits, consultez notre site **[www.blackanddecker.fr](http://www.blackanddecker.fr)**.



## Usò previsto

Il seghetto da traforo Black & Decker è stato progettato per segare legno, plastica e lamiera. L'elettrotensile non è destinato all'utilizzo professionale.

## Istruzioni di sicurezza

### Avvisi di sicurezza generici per gli elettrotensili



**Attenzione! Leggere tutti gli avvisi di sicurezza e tutte le istruzioni.** La mancata osservanza di tutte le istruzioni potrebbe causare scosse elettriche, incendi e/o infortuni gravi.

### Conservare tutte le istruzioni e le avvertenze per futura consultazione.

Il termine "elettrotensile" che ricorre in tutte le avvertenze seguenti si riferisce ad utensili elettrici con o senza filo.

1. **Sicurezza nella zona di lavoro**
  - a. **Mantenere pulita e bene illuminata l'area di lavoro.** Il disordine e la scarsa illuminazione possono causare incidenti.
  - b. **Evitare d'impiegare gli elettrotensili in ambienti esposti al rischio di esplosione, ad esempio in presenza di liquidi, gas o polveri infiammabili.** Gli elettrotensili producono scintille che possono far infiammare la polvere o i fumi.
  - c. **Mantenere lontani bambini ed astanti mentre si usa l'elettrotensile.** Eventuali distrazioni possono comportare la perdita del controllo dell'elettrotensile.
2. **Sicurezza elettrica**
  - a. **Le spine elettriche degli elettrotensili devono essere adatte alla presa. Evitare assolutamente di modificare la spina. Non impiegare spine adattatrici con elettrotensili provvisti di messa a terra.** L'uso di spine inalterate e delle prese corrispondenti riduce il rischio di scosse elettriche.
  - b. **Evitare il contatto fisico con superfici collegate a terra, come tubi, radiatori, forni e frigoriferi.** Un corpo collegato a terra è esposto maggiormente al rischio di scosse elettriche.
  - c. **Custodire gli elettrotensili al riparo dalla pioggia o dall'umidità.** L'eventuale infiltrazione di acqua in un elettrotensile va ad aumentare il rischio di scosse elettriche.
  - d. **Non esporre il cavo a sollecitazioni. Non usare il cavo per trasportare o trainare l'elettrotensile e non tirarlo per estrarre la spina dalla presa di corrente. Mantenere il cavo al riparo dal calore, da bordi taglienti e/o da parti in movimento.** I cavi danneggiati o aggrovigliati aumentano il rischio di scosse elettriche.
  - e. **Se l'elettrotensile viene adoperato all'aperto, usare esclusivamente prolunghe omologate per l'impiego all'esterno.** Un cavo adatto per uso esterno riduce il rischio di scosse elettriche.
  - f. **Se non è possibile evitare di lavorare in una zona umida, usare un'alimentazione elettrica protetta da un dispositivo a corrente residua (RCD).** L'uso di un dispositivo RCD riduce il rischio di scosse elettriche.
3. **Sicurezza delle persone**
  - a. **È importante concentrarsi su ciò che si sta facendo e maneggiare con giudizio l'elettrotensile. Non adoperare l'elettrotensile se si è stanchi o sotto l'effetto di stupefacenti, alcol o medicinali.** Un attimo di distrazione durante l'uso dell'elettrotensile può causare gravi infortuni personali.
  - b. **Utilizzo di un equipaggiamento di protezione personale. Indossare sempre degli occhiali di sicurezza.** Se si avrà cura d'indossare l'equipaggiamento protettivo come necessario, ad esempio una maschera antipolvere, delle calzature antiscivolo, un casco o delle otoprotezioni, si riduce il rischio di infortuni.
  - c. **Impedire l'avviamento involontario. Accertarsi che l'interruttore di accensione sia regolato su spento prima di collegare l'elettrotensile all'alimentazione elettrica e/o al battery pack, di prenderlo in mano o di trasportarlo.** Per non esporsi al rischio di incidenti, non trasportare gli elettrotensili tenendo le dita sull'interruttore oppure, se sono collegati a un'alimentazione elettrica, con l'interruttore acceso.
  - d. **Prima di accendere un elettrotensile, togliere eventuali chiavi o attrezzi di regolazione.** Un attrezzo o una chiave lasciati in un componente mobile dell'elettrotensile possono causare lesioni.
  - e. **Non sporgersi. Mantenere sempre un buon equilibrio evitando posizioni malsicure.** In questo modo è possibile controllare meglio l'elettrotensile in situazioni inaspettate.
  - f. **Vestirsi adeguatamente. Evitare di indossare indumenti larghi o gioielli. Tenere capelli, vestiti e guanti lontani da pezzi in movimento.** Vestiti larghi, gioielli o capelli lunghi possono impigliarsi nelle parti in movimento.
  - g. **Se gli elettrotensili sono provvisti di attacchi per il collegamento di dispositivi di aspirazione o di raccolta della polvere, assicurarsi che questi siano installati e utilizzati correttamente.** L'impiego di tali dispositivi può ridurre i rischi correlati alle polveri.

#### 4. Uso e cura degli elettroutensili

##### a. Non sovraccaricare l'elettroutensile. Usare l'elettroutensile adatto per il lavoro da eseguire.

Utilizzando l'elettroutensile adatto si potrà lavorare meglio e con maggiore sicurezza alla potenza nominale prevista.

##### b. Non utilizzare elettroutensili con interruttori difettosi.

Un elettroutensile che non può essere controllato mediante l'interruttore è pericoloso e deve essere riparato.

##### c. Scollegare la spina dalla presa di corrente e/o il battery pack dall'elettroutensile prima di regolarlo o di ripararlo oppure di sostituire gli accessori. Queste precauzioni di sicurezza riducono le possibilità che l'elettroutensile venga messo in funzione inavvertitamente.

##### d. Quando non vengono usati, gli elettroutensili devono essere custoditi fuori della portata dei bambini. Non consentire l'uso dell'elettroutensile a persone inesperte o che non abbiano letto le presenti istruzioni. Gli elettroutensili risultano pericolosi se usati da persone inesperte.

##### e. Sottoporre gli elettroutensili alle necessarie procedure di manutenzione. Verificare che le parti mobili siano bene allineate e non inceppate, che non vi siano componenti rotti e che non sussistano altre condizioni che possano compromettere il funzionamento dell'elettroutensile. In caso di danni, riparare l'elettroutensile prima dell'uso. La scarsa manutenzione causa molti incidenti.

##### f. Mantenere affilati e puliti gli utensili da taglio. Se sottoposti alla giusta manutenzione, gli utensili da taglio con taglienti affilati s'inceppano meno frequentemente e sono più facili da manovrare.

##### g. Utilizzare l'elettroutensile, gli accessori e le punte in conformità delle presenti istruzioni, tenendo conto delle condizioni di lavoro e del lavoro da completare. L'impiego degli elettroutensili per usi diversi da quelli consentiti può dar luogo a situazioni pericolose.

#### 5. Riparazioni

##### a. Fare riparare l'elettroutensile solo ed esclusivamente da personale specializzato e solo impiegando pezzi di ricambio originali, onde non alterarne la sicurezza.

#### Addizionali avvisi di sicurezza per gli elettroutensili



**Attenzione!** Ulteriori avvisi di sicurezza per i seghetti da traforo.

- ◆ **Tenere l'elettroutensile afferrando l'impugnatura isolata se vi è la possibilità che la sega possa venire a contatto di cavi nascosti o del proprio cavo.** Il contatto con un cavo sotto tensione mette sotto tensione le parti metalliche esposte dell'elettroutensile e potrebbe esporre l'operatore a scosse elettriche.
- ◆ **Usare morsetti o altri metodi pratici per fissare e sorreggere il pezzo su di una piattaforma stabile. Un pezzo tenuto dalla mano o contro il corpo, può diventare poco stabile e causare la perdita di controllo.**
- ◆ **Tenere le mani lontane dalla zona di taglio.** Non allungare mai le mani sotto il pezzo. Non infilare le dita o il pollice in prossimità della lama alternativa e del blocco lama. Non stabilizzare la sega afferrando la guida.
- ◆ **Tenere affilate le lame.** Delle lame spuntate o danneggiate possono causare la deviazione o lo spegnimento della sega sotto sforzo. Usare sempre il corretto tipo di lama per il materiale da tagliare.
- ◆ **Quando si taglia un tubo o una conduttura, accertarsi sempre che al loro interno non vi siano acqua o fili elettrici.**
- ◆ **Non toccare il pezzo o la lama subito dopo aver fatto funzionare l'elettroutensile,** dato che potrebbero essere molto caldi.
- ◆ **Essere consapevoli che vi possono essere dei pericoli nascosti: prima di praticare tagli in pareti, pavimenti o soffitti, controllare l'ubicazione di cablaggi e tubazioni.**
- ◆ **La lama continua a muoversi dopo aver rilasciato l'interruttore.** Prima di appoggiare l'elettroutensile, spegnerlo e attendere che la lama si fermi completamente.

**Attenzione!** Il contatto o l'inalazione della polvere generata dal taglio potrebbero nuocere alla salute dell'operatore e di eventuali astanti. Indossare una mascherina antipolvere specifica per polveri e fumi e controllare che anche le persone presenti o in arrivo nell'area di lavoro siano adeguatamente protette.

- ◆ Dopo la levigatura, rimuovere tutta la polvere.
- ◆ Fare molta attenzione quando si levigano vernici che probabilmente contengono il piombo come componente di base o quando si levigano certi legni e metalli la cui polvere può essere tossica:
  - Vietare l'ingresso nell'area di lavoro a bambini o a donne in gravidanza.

- Non mangiare, bere o fumare nell'area di lavoro.
- Eliminare la polvere e i rifiuti prendendo le necessarie misure di sicurezza.
- ◆ Questo elettrotensile non è stato progettato per impiego da parte di persone (o bambini) portatrici di handicap fisici, psichici o sensoriali o che non abbiano la dovuta esperienza o conoscenza, a meno che non siano seguite o opportunamente istruite sul suo impiego da parte di una persona responsabile della loro sicurezza. Controllare che i bambini non giochino con l'elettrotensile.
- ◆ L'uso previsto è descritto nel presente manuale d'uso. Se questo elettrotensile viene usato con accessori o per usi diversi da quelli raccomandati nel presente manuale d'uso, si potrebbero verificare lesioni personali e/o danni alle cose.

### Vibrazioni

I valori dichiarati delle emissioni di vibrazioni al paragrafo Dati tecnici e Dichiarazione di conformità del presente manuale, sono stati misurati in base al metodo di test standard previsto dalla normativa EN 60745 e possono essere usati come paragone tra un attrezzo e un altro. Il valore delle emissioni di vibrazioni dichiarato può anche essere usato come valutazione preliminare dell'esposizione.

**Attenzione!** Il valore delle emissioni di vibrazioni durante l'impiego effettivo dell'elettrotensile può variare da quello dichiarato a seconda di come l'attrezzo viene usato. Il livello delle vibrazioni può aumentare oltre il livello dichiarato.

Quando si valuta l'esposizione alle vibrazioni per determinare le misure di sicurezza richieste, in conformità alla normativa 2002/44/CE, onde proteggere le persone che usano regolarmente gli elettrotensili ai fini delle mansioni svolte, è necessario prendere in considerazione le condizioni effettive di utilizzo e il modo in cui l'attrezzo è usato, oltre a tenere in conto tutte le componenti del ciclo operativo, vale a dire i periodi in cui l'elettrotensile è spento, quando è acceso, ma a riposo e quando è effettivamente utilizzato.

### Etichette sull'elettrotensile



**Attenzione!** Per ridurre il rischio di lesioni, l'utente deve leggere la guida all'uso.

### Sicurezza elettrica



Il doppio isolamento di cui è provvisto l'elettrotensile rende superfluo il filo di terra. Controllare sempre che l'alimentazione corrisponda alla tensione indicata sulla targhetta delle caratteristiche.

- ◆ L'elettrotensile non deve essere utilizzato da ragazzi o persone inabili senza la supervisione di un adulto. Controllare i bambini per evitare che giochino con l'elettrotensile.
- ◆ In caso di danneggiamento del filo di alimentazione, è necessario farlo riparare dal fabbricante o presso un centro assistenza Black & Decker autorizzato in modo da evitare eventuali pericoli.

### Istruzioni di sicurezza supplementari per le batterie non ricaricabili

- ◆ Non tentare di aprirle per qualsiasi ragione.
- ◆ Non riporle in luoghi dove la temperatura potrebbe superare i 40 °C.
- ◆ Quando si smaltiscono le batterie, seguire le istruzioni riportate al capitolo "Protezione dell'ambiente".

Non incenerire le batterie.

- ◆ In condizioni estreme, si potrebbe verificare la perdita di liquido dalle batterie. In tali circostanze, procedere come descritto di seguito:
  - Asportare il liquido usando un panno. Evitare il contatto con l'epidermide.

### Ulteriori precauzioni di sicurezza per i laser



Leggere attentamente questo manuale nella sua totalità.



Il presente prodotto non deve essere usato da bambini di età inferiore ai 16 anni.



Radiazione laser.



Non guardare direttamente verso il raggio laser.



Non usare attrezzi ottici per osservare il raggio laser.

- ◆ Questo laser è conforme alla Categoria 2 della normativa IEC 60825+A1+A2:2001. Non sostituire un diodo laser con uno di tipo diverso. Se il laser è danneggiato, farlo riparare da un tecnico opportunamente autorizzato.
- ◆ Non usare il laser per scopi diversi dalla proiezione di linee laser.
- ◆ L'esposizione di un occhio a un raggio laser di Categoria 2 viene considerata sicura per un periodo massimo di 0,25 secondi. I riflessi delle palpebre forniscono di solito un'adeguata protezione. A distanze superiori al metro, il laser è conforme alla normativa della Categoria 1 ed è quindi completamente sicuro.

- ◆ Non guardare mai intenzionalmente verso il raggio laser.
- ◆ Non usare attrezzi ottici per osservare il raggio laser.
- ◆ Non approntare l'attrezzo in modo che il raggio laser possa incrociare altre persone all'altezza della testa.
- ◆ Non lasciare che i bambini si avvicinino al raggio laser.

### Caratteristiche

1. Pulsante di sicurezza
2. Interruttore di accensione a velocità variabile
3. Coperchio vano portalamo
4. Leva di bloccaggio piedino scorrimento lama
5. Apertura d'estrazione polvere
6. Adattatore estrazione polvere
7. Piedino scorrimento lama
8. Rullo di supporto lama
9. Morsetto lama che non richiede utensili

### Caratteristiche aggiuntive (fig. A)

A seconda del prodotto acquistato vi possono essere delle caratteristiche aggiuntive. Le caratteristiche aggiuntive valide per il numero di catalogo acquistato sono illustrate in fig. A.

### Assemblaggio

**Attenzione!** Prima di tentare una delle seguenti operazioni, verificare che l'elettrotensile sia spento e scollegato dalla presa elettrica e che la lama del seghetto si sia fermata. Le lame del seghetto usate possono essere calde.

#### Montaggio della lama del seghetto (fig. B)

- ◆ Tenere la lama del seghetto (10) come illustrato con i denti rivolti in avanti.
- ◆ Premere il morsetto della lama (9).
- ◆ Infilare completamente il gambo della lama del seghetto nel portalamo (11).
- ◆ Rilasciare il morsetto della lama (9).

#### Conservazione delle lame del seghetto (fig. C)

Le lame (10) possono essere conservate nell'apposito vano sul lato dell'elettrotensile

- ◆ Aprire il coperchio (3) del vano portalamo afferrando la linguetta sulla parte superiore del coperchio (3) e tirandola verso l'esterno.
- ◆ Le lame sono fissate nel vano per mezzo di una striscia magnetica. Per togliere una lama, premerne un'estremità per far sollevare quella opposta ed estrarre la lama.
- ◆ Chiudere il coperchio (3) del vano delle lame del seghetto e accertarsi che sia bloccato.

**Attenzione!** Chiudere saldamente lo sportello del vano prima di far funzionare il seghetto.

### Collegare un aspirapolvere all'elettrotensile (fig. D)

Per collegare un aspirapolvere di qualsiasi tipo all'elettrotensile, è necessario usare un adattatore di estrazione della polvere (6) che può essere acquistato presso il rivenditore Black & Decker di zona.

- ◆ Infilare l'adattatore (6) nell'apertura di estrazione della polvere (5).
- ◆ Collegare il tubo dell'aspirapolvere all'adattatore (6).

### Utilizzo

#### Regolazione del piedino scorrimento lama per eseguire dei tagli a unghia (figg. E ed F)

**Attenzione!** Non usare mai l'elettrotensile quando il piedino scorrimento lama è allentato o è stato smontato.

Il piedino scorrimento lama (7) può essere regolato per il taglio a unghia verso destra o verso sinistra fino a un massimo di 45 °.

- ◆ Tirare verso l'esterno la leva di bloccaggio del piedino scorrimento lama (4) per spostare il piedino scorrimento lama (7) dalla posizione 0 gradi (fig. F).
- ◆ Tirare in avanti il piedino scorrimento lama (7) e regolare l'angolo di smusso su 15 °, 30 ° e 45 ° come indicato nell'apposita finestrella.
- ◆ Spingere indietro la leva di bloccaggio del piedino scorrimento lama (4) verso il seghetto per bloccare il piedino (7).

Regolazione del piedino scorrimento lama (7) per i tagli diritti:

- ◆ Tirare la leva di bloccaggio del piedino scorrimento lama (4) verso l'esterno per sbloccare il piedino (7).
- ◆ Regolare il piedino scorrimento lama (7) su un angolo di 0 ° e spingerlo indietro.
- ◆ Spingere indietro la leva di bloccaggio del piedino scorrimento lama (4) verso il seghetto per bloccare il piedino (7).

#### Accensione e spegnimento.

- ◆ Per accendere l'elettrotensile, premere l'interruttore di accensione a velocità variabile (2).
- ◆ Per spegnere l'elettrotensile, rilasciare l'interruttore di accensione a velocità variabile (2).
- ◆ Per il funzionamento continuato, premere il pulsante di bloccaggio (1) e rilasciare l'interruttore di accensione (2).
- ◆ Per spegnere l'elettrotensile durante il funzionamento continuo, premere l'interruttore di accensione (2) e rilasciarlo.

#### Segatura

Tenere saldamente l'elettrotensile con entrambe le mani durante il taglio.

Il piedino scorrimento lama (7) deve poggiare saldamente contro il materiale che si sta tagliando. In questo modo si impedisce al seghetto di saltare, si riducono le vibrazioni e anche i casi di rottura della lama.

- ◆ Prima di iniziare a tagliare, lasciare che la lama ruoti liberamente per alcuni secondi.
- ◆ Esercitare solo una leggera pressione sull'elettrotensile mentre si esegue il taglio.

### Funzionamento del laser (figg. G - I) (solo modelli "L")

#### Inserimento delle batterie (fig. G)

Staccare il modulo laser (13) dal seghetto da traforo svitando le vite (12) e tirando in avanti il modulo del laser. Inserire due nuove batterie alcaline AAA da 1,5 V accertandosi di abbinare correttamente i poli (+) e (-). Ricollegare il modulo laser (13).

#### Regolazione laterale del laser (fig. H)

**Nota:** Il laser funge da guida per il taglio e non garantisce un taglio preciso.

**Attenzione!** Non regolare il laser con il seghetto da traforo collegato alla presa elettrica.

- ◆ Allineare la linea proiettata dal laser alla lama del seghetto, se necessario, per mezzo della vite di regolazione del laser (14).

La visibilità (intensità) del laser si riduce se il seghetto si surriscalda. Il laser potrebbe non essere visibile quando il seghetto viene sovraccaricato per un periodo di tempo lungo. La visibilità del laser si ripristina poco a poco al valore normale quando l'elettrotensile si raffredda perfino se è scollegato dalla presa elettrica.

**Attenzione!** Non lasciare acceso un laser surriscaldato. Accertarsi che l'interruttore sia regolato su spento ed estrarre le batterie per interrompere l'alimentazione del laser.

#### Utilizzo del laser (figg. I e J)

Il laser proietta la traccia del taglio (17) sulla superficie del pezzo.

- ◆ Per accendere il laser, premere il pulsante (15).
- ◆ Per spegnere il laser, premere di nuovo il pulsante (15).

Guardando direttamente da sopra al seghetto da traforo, è possibile seguire facilmente la traccia del taglio (16). Se per qualsiasi ragione ciò non fosse possibile, il laser può essere usato in alternativa come guida per il taglio.

- ◆ Usare una matita per marcare la traccia del taglio (16).
- ◆ Posizionare il seghetto da traforo sopra a tale traccia (16).
- ◆ Accendere il laser.

### Funzionamento della luce di lavoro (figg. K e L) (solo modelli "W")

I seghetti il cui numero di catalogo contiene una "W" sono dotati di luce a LED (18) per illuminare la zona circostante la lama.

- ◆ Per accendere la luce, farne scorrere l'interruttore (19) sulla posizione (I).
- ◆ Per spegnere la luce, farne scorrere l'interruttore (19) sulla posizione (0).

### Consigli per un utilizzo ottimale

#### Segatura dei laminati

Durante la segatura di laminati è possibile scheggiare i bordi, rovinando la superficie finale. Le lame più comuni praticano il taglio sulla corsa verso l'alto per cui, se il piedino scorrimento lama poggia sulla superficie finale, si consiglia di usare una lama che tagli sulla corsa verso il basso oppure di:

- ◆ Usare una lama da sega con denti sottili.
- ◆ Segare dalla parte posteriore del pezzo da lavorare.
- ◆ Per contenere al massimo la scheggiatura, fissare con un morsetto un pezzo di legno o di cartone da ambo i lati del pezzo da lavorare e segare i tre strati insieme.

#### Segatura del metallo

Tenere presente che la segatura del metallo richiede molto più tempo di quella del legno.

- ◆ Usare una lama da sega idonea alla segatura del metallo.
- ◆ Quando si taglia un foglio di lamiera sottile, fissare con dei morsetti un pezzo di legno sulla superficie posteriore del pezzo da lavorare e tagliare i due strati insieme.
- ◆ Spalmare un velo d'olio lungo la traccia del taglio.

### Manutenzione

Questo elettrotensile Black & Decker è stato progettato per funzionare a lungo con un minimo di manutenzione. Per ottenere prestazioni sempre soddisfacenti occorre avere cura dell'elettrotensile e sottoporlo a manutenzione periodica.

- ◆ Le prese di ventilazione dell'elettrotensile devono essere pulite regolarmente con un pennello morbido o un panno asciutto.
- ◆ Il vano del motore deve essere pulito regolarmente con un panno umido. Non usare materiali abrasivi o detergenti a base di solventi. Evitare la penetrazione di liquidi all'interno dell'elettrotensile e non immergere mai nessuna parte dello stesso in un liquido.

## Protezione dell'ambiente



Raccolta differenziata. Questo prodotto non deve essere smaltito con i normali rifiuti domestici.

Nel caso in cui l'elettrotensile Black & Decker debba essere sostituito o non sia più necessario, non smaltirlo con i normali rifiuti domestici. Metterlo da parte per la raccolta differenziata.



La raccolta differenziata dei prodotti e degli imballaggi utilizzati consente il riciclaggio dei materiali e il loro continuo utilizzo. Il riutilizzo dei materiali riciclati favorisce la protezione dell'ambiente prevenendo l'inquinamento e riduce il fabbisogno di materie prime.

Seguire la regolamentazione locale per la raccolta differenziata dei prodotti elettrici che può prevedere punti di raccolta o la consegna dell'elettrotensile al rivenditore presso il quale viene acquistato un nuovo prodotto.

Black & Decker offre ai suoi clienti la possibilità di riciclare i prodotti Black & Decker che hanno esaurito la loro vita di servizio. Per usufruire di tale servizio, è sufficiente restituire il prodotto a qualsiasi tecnico autorizzato, incaricato della raccolta per conto dell'azienda.

Per individuare il tecnico autorizzato più vicino, rivolgersi alla sede Black & Decker locale, presso il recapito indicato nel presente manuale. In alternativa, un elenco completo di tutti i tecnici autorizzati Black & Decker e i dettagli completi sui contatti e i servizi post-vendita sono disponibili su Internet presso: [www.2helpU.com](http://www.2helpU.com).



Una volta esaurite le batterie, smaltirle batterie in conformità alle norme ambientali. Estrarre le batterie come descritto in precedenza.

- ◆ Imballare le batterie in modo idoneo per evitare che i terminali possano essere cortocircuitati.
- ◆ Consegnarle al centro di riciclaggio di zona.

### Dati tecnici

Serie KS800E	
Tensione	V c.a. 230
Ingresso nominale	W 520
Regime a vuoto	min <sup>-1</sup> 0-3000
Profondità max. del taglio	
Legno	mm 70
Acciaio	mm 5
Alluminio	mm 15
Peso	kg 2,2

## Dichiarazione CE di conformità

Serie KS800E

Black & Decker dichiara che i presenti prodotti sono conformi a:

98/37/CE, 2006/95/CEE, EN 60745, EN 55014, EN61000, IEC 60825+A1+A2:2001

Livello di pressione sonora misurato in base a EN 60745:

Pressione sonora ( $L_{pA}$ ) 89 dB(A), incertezza (K) 3 dB(A)

Potenza acustica ( $L_{WA}$ ) 100 dB(A), incertezza (K) 3 dB(A)

Valori totali vibrazioni (somma vettoriale triassiale) in base a EN 60745

Taglio del legno ( $a_{h, CW}$ ) 6,0 m/s<sup>2</sup>, incertezza (K) 1,5 m/s<sup>2</sup>

Taglio della lamiera ( $a_{h, CM}$ ) 6,5 m/s<sup>2</sup>,

incertezza (K) 1,5 m/s<sup>2</sup>

Kevin Hewitt

Direttore tecnico prodotti di consumo  
Spennymoor, County Durham DL16 6JG,

Regno Unito

01-10-2007

## Garanzia

Certa della qualità dei suoi prodotti, Black & Decker offre una garanzia eccezionale. Il presente certificato di garanzia è complementare ai diritti legali e non li pregiudica in alcun modo. La garanzia è valida entro il territorio degli Stati membri dell'Unione Europea e dell'EFTA (European Free Trade Area).

Se un prodotto Black & Decker risulta difettoso per qualità del materiale, della costruzione o per mancata conformità entro 24 mesi dalla data di acquisto, Black & Decker garantisce la sostituzione delle parti difettose, provvede alla riparazione dei prodotti se ragionevolmente usurati oppure alla loro sostituzione, in modo da ridurre al minimo il disagio del cliente a meno che:

- ◆ Il prodotto non sia stato destinato ad usi commerciali, professionali o al noleggio;
- ◆ Il prodotto non sia stato usato in modo improprio o scorretto;
- ◆ Il prodotto non abbia subito danni causati da oggetti o sostanze estranee oppure incidenti;
- ◆ Il prodotto non abbia subito tentativi di riparazione non effettuati da tecnici autorizzati né dall'assistenza Black & Decker.

Per attivare la garanzia è necessario esibire la prova comprovante l'acquisto al venditore o al tecnico autorizzato. Per individuare il tecnico autorizzato più vicino, rivolgersi alla sede Black & Decker locale, presso il recapito indicato nel presente manuale. Altrimenti un elenco completo di tutti i tecnici autorizzati Black & Decker e i dettagli completi sui contatti e i servizi post-vendita sono disponibili su Internet presso:

**[www.2helpU.com](http://www.2helpU.com)**

I clienti che desiderano registrare il nuovo prodotto Black & Decker e ricevere gli aggiornamenti sui nuovi prodotti e le offerte speciali, sono invitati a visitare il sito Web (**[www.blackanddecker.eu](http://www.blackanddecker.eu)**). Ulteriori informazioni sul marchio e la gamma di prodotti Black & Decker sono disponibili all'indirizzo **[www.blackanddecker.it](http://www.blackanddecker.it)**.

## Beoogd gebruik

De Black & Decker-decoupeerzaag is ontworpen voor het zagen van hout, kunststof en plaatmetaal. Deze machine is uitsluitend bestemd voor consumentengebruik.

## Veiligheidsinstructies

### Algemene veiligheidswaarschuwingen voor elektrisch gereedschap



**Waarschuwing! Lees alle veiligheidswaarschuwingen en alle instructies.** Wanneer de instructies niet in acht worden genomen, kan dit een elektrische schok, brand of ernstig letsel tot gevolg hebben.

### Bewaar alle waarschuwingen en instructies als referentiemateriaal.

Het hierna gebruikte begrip 'elektrisch gereedschap' heeft betrekking op elektrische gereedschappen voor gebruik op de netspanning (met netsnoer) of op accu (snoerloos).

1. **Veilige werkomgeving**
  - a. **Houd uw werkomgeving schoon en opgeruimd.** Een rommelige of onverlichte werkomgeving kan tot ongevallen leiden.
  - b. **Gebruik elektrisch gereedschap niet in een omgeving met explosiegevaar, zoals in de nabijheid van brandbare vloeistoffen, gassen of stof.** Elektrisch gereedschap veroorzaakt vonken die het stof of de dampen tot ontsteking kunnen brengen.
  - c. **Houd kinderen en andere personen tijdens het gebruik van elektrisch gereedschap uit de buurt.** Wanneer u wordt afgeleid, kunt u de controle over het gereedschap verliezen.
2. **Elektrische veiligheid**
  - a. **De netstekker van het gereedschap moet in het stopcontact passen. De stekker mag in geen geval worden omgebouwd. Gebruik geen adapterstekkers in combinatie met gearde gereedschappen.** Niet omgebouwde stekkers en passende stopcontacten beperken het risico van een elektrische schok.
  - b. **Vermijd aanraking van het lichaam met gearde oppervlakken, bijvoorbeeld buizen, verwarmingen, fornuizen en koelkasten.** Er bestaat een verhoogd risico voor een elektrische schok wanneer uw lichaam geaard is.
  - c. **Houd het gereedschap uit de buurt van regen en vocht.** Het binnendringen van water in het elektrische gereedschap vergroot het risico van een elektrische schok.
  - d. **Gebruik het snoer niet voor een verkeerd doel. Gebruik het snoer niet om het gereedschap te dragen of op te hangen of om de stekker uit het stopcontact te trekken. Houd het snoer uit de buurt van hitte, olie, scherpe randen of bewegende delen.** Beschadigde of in de war geraakte snoeren vergroten het risico van een elektrische schok.
  - e. **Wanneer u buitenshuis met elektrisch gereedschap werkt, dient u alleen verlengsnoeren te gebruiken die zijn goedgekeurd voor gebruik buitenshuis.** Het gebruik van een verlengsnoer dat geschikt is voor gebruik buitenshuis beperkt het risico van een elektrische schok.
  - f. **Als u een elektrisch gereedschap moet gebruiken in een vochtige locatie, moet u een reststroomschakelaar (RCD) gebruiken.** Met een reststroomschakelaar wordt het risico van een elektrische schok verkleind.
3. **Veiligheid van personen**
  - a. **Wees alert, let goed op wat u doet en ga met verstand te werk bij het gebruik van elektrische gereedschappen. Gebruik elektrisch gereedschap niet wanneer u moe bent of onder invloed van drugs, alcohol of medicijnen.** Een moment van onoplettendheid bij het gebruik van het gereedschap kan leiden tot ernstige verwondingen.
  - b. **Draag persoonlijke beschermende uitrusting. Draag altijd een veiligheidsbril.** Het dragen van persoonlijke beschermende uitrusting zoals een stofmasker, slipvaste werkschoenen, een veiligheidshelm of gehoorbescherming, afhankelijk van de aard en het gebruik van het elektrische gereedschap, vermindert het risico van verwondingen.
  - c. **Voorkom per ongeluk inschakelen. Controleer of de schakelaar in de uit-stand staat voordat u het gereedschap aansluit op het stopcontact en/of de accu en voordat u het gereedschap optilt of gaat dragen.** Wanneer u bij het dragen van het gereedschap uw vinger op de schakelaar houdt of wanneer u het gereedschap per ongeluk inschakelt, kan dat leiden tot ongevallen.
  - d. **Verwijder instelgereedschappen of schroefsleutels voordat u het gereedschap inschakelt.** Een instelgereedschap of sleutel in een draaiend deel van het gereedschap kan tot verwondingen leiden.
  - e. **Reik niet te ver. Zorg er altijd voor dat u stevig staat en in evenwicht blijft.** Daardoor kunt u het gereedschap in onverwachte situaties beter onder controle houden.



- f. **Draag geschikte kleding. Draag geen loshangende kleding of sieraden. Houd haren, kleding en handschoenen uit de buurt van bewegende delen.** Loshangende kleding, sieraden en lange haren kunnen door bewegende delen worden meegenomen.
- g. **Wanneer stofafzuigings- of stofopvangvoorzieningen kunnen worden gemonteerd, dient u zich ervan te verzekeren dat deze zijn aangesloten en juist worden gebruikt.** Het gebruik van deze voorzieningen beperkt het gevaar door stof.
4. **Gebruik en onderhoud van elektrisch gereedschap**
- a. **Overbelast het gereedschap niet. Gebruik voor uw toepassing het daarvoor bestemde elektrische gereedschap.** Met het passende elektrische gereedschap werkt u beter en veiliger binnen het aangegeven capaciteitsbereik.
- b. **Gebruik geen elektrisch gereedschap waarvan de schakelaar defect is.** Elektrisch gereedschap dat niet meer kan worden in- of uitgeschakeld, is gevaarlijk en moet worden gerepareerd.
- c. **Trek de stekker uit het stopcontact en/of de accu uit het elektrisch gereedschap voordat u het gereedschap instelt, toebehoren wisselt of het gereedschap opbergt.** Met deze voorzorgsmaatregel voorkomt u onbedoeld starten van het gereedschap.
- d. **Bewaar niet-gebruikte elektrische gereedschappen buiten bereik van kinderen. Laat het gereedschap niet gebruiken door personen die er niet vertrouwd mee zijn en deze aanwijzingen niet hebben gelezen.** Elektrische gereedschappen zijn gevaarlijk wanneer deze door onervaren personen worden gebruikt.
- e. **Verzorg het gereedschap zorgvuldig. Controleer of bewegende delen van het gereedschap correct functioneren en niet klemmen, en of er onderdelen zodanig zijn gebroken of beschadigd dat de werking van het gereedschap nadelig wordt beïnvloed. Laat beschadigde delen repareren voordat u het gereedschap gebruikt.** Veel ongevallen worden veroorzaakt door slecht onderhouden elektrische gereedschappen.
- f. **Houd snijdende inzetgereedschappen scherp en schoon.** Zorgvuldig onderhouden snijdende inzetgereedschappen met scherpe snijkanten klemmen minder snel en zijn gemakkelijker te geleiden.

- g. **Gebruik elektrische gereedschappen, toebehoren, inzetgereedschappen en dergelijke volgens deze aanwijzingen. Let daarbij op de arbeidsomstandigheden en de uit te voeren werkzaamheden.** Het gebruik van elektrische gereedschappen voor andere dan de voorziene toepassingen kan leiden tot gevaarlijke situaties.
5. **Service**
- a. **Laat het gereedschap alleen repareren door gekwalificeerd en vakkundig personeel en alleen met originele vervangingsonderdelen.** Daarmee wordt de veiligheid van het gereedschap gewaarborgd.

#### Aanvullende veiligheidsaankuwingen voor elektrisch gereedschap



#### Waarschuwing! Aanvullende

veiligheidsaankuwingen voor decoupeerzagen

- ◆ **Houd het gereedschap vast bij de geïsoleerde handvatten als u een handeling uitvoert waarbij het snijdende inzetgereedschap met verborgen bedrading of met het eigen snoer in aanraking kan komen.** Door contact met een draad onder spanning komen onbedekte metalen onderdelen van het gereedschap onder spanning te staan en krijgt u een schok.
- ◆ **Gebruik klemmen of een andere praktische manier om het werkstuk op een stabiel platform vast te zetten en te steunen.** Als u het werkstuk met de hand of tegen uw lichaam vasthoudt, is het niet stabiel en kunt u de controle over het gereedschap verliezen.
- ◆ **Blijf met uw handen uit de buurt van het snijgebied.** Steek uw handen nooit onder het werkstuk. Blijf met uw vingers en duim uit de buurt van het heen en weer bewegende blad en van de heen en weer bewegende bladklem. Houd de zaag niet in evenwicht door de zool vast te houden.
- ◆ **Zorg ervoor dat de bladen altijd scherp zijn.** Door botte of beschadigde bladen kan de zaag onder druk afwijken of blijven steken. Gebruik altijd het juiste type zaagblad voor het werkstukmateriaal en het type zaagsnede.
- ◆ **Als u een pijp of buis gaat doorzagen, controleert u of deze geen water, elektrische bedrading, enzovoort, bevat.**
- ◆ **Raak het werkstuk of het blad niet meteen na het zagen aan.** Ze kunnen zeer heet worden.
- ◆ **Wees bedacht op verborgen gevaren. Controleer waar zich bedrading en leidingen bevinden voordat u in muren, vloeren of plafonds zaagt.**

- ◆ **Nadat u de schakelaar hebt losgelaten blijft het blad bewegen.** Schakel het gereedschap altijd uit en wacht tot het zaagblad volledig tot stilstand is gekomen voordat u het gereedschap neerlegt.

**Waarschuwing!** Contact met of inademing van het stof dat bij het zagen vrijkomt, kan de gezondheid van de gebruiker en omstanders schaden. Draag een stofmasker dat speciaal is ontworpen ter bescherming tegen stoffen en dampen, en verzeker u ervan dat andere personen op de werkvloer of die de werkvloer betreden eveneens zijn beschermd.

- ◆ Verwijder zorgvuldig alle stof na het schuren.
- ◆ Neem speciale maatregelen bij het schuren van verf die mogelijk een loodbasis heeft of bij het schuren van bepaalde hout- en metaalsoorten die mogelijk giftige stoffen produceren:
  - Kinderen en zwangere vrouwen mogen de werkvloer niet betreden.
  - Eten, drinken en roken op de werkvloer is niet toegestaan.
  - Verwijder stof en ander afval op veilige en verantwoorde wijze.
- ◆ Dit gereedschap mag niet worden gebruikt door personen (waaronder kinderen) die lichamelijk of geestelijk mindervalide zijn of die geen ervaring met of kennis van dit gereedschap hebben, tenzij ze onder toezicht staan of instructies krijgen wat betreft het gebruik van het gereedschap van een persoon die verantwoordelijk is voor hun veiligheid. Houd toezicht op kinderen om ervoor te zorgen dat zij niet met het apparaat gaan spelen.
- ◆ In deze instructiehandleiding wordt ingegaan op het beoogde gebruik. Het gebruik van andere accessoires of hulpstukken dan wel de uitvoering van andere handelingen met dit gereedschap dan in deze gebruikershandleiding worden aanbevolen, kan tot persoonlijk letsel en/of schade aan eigendom leiden.

### Trilling

De aangegeven waarden voor trillingsemisatie in de technische gegevens en de conformiteitsverklaring zijn gemeten conform een standaardtestmethode die door EN 60745 wordt geboden. Hiermee kan het ene gereedschap met het andere worden vergeleken. De aangegeven waarde voor trillingsemisatie kan ook worden gebruikt bij een voorlopige bepaling van blootstelling.

**Waarschuwing!** De waarde voor trillingsemisatie tijdens het werkelijke gebruik van het gereedschap kan verschillen van de aangegeven waarde afhankelijk van de manieren waarop het gereedschap wordt gebruikt. Het trillingsniveau kan hoger worden dan het aangegeven niveau.

Wanneer de blootstelling aan trillingen wordt vastgesteld teneinde veiligheidsmaatregelen te bepalen die worden vereist door 2002/44/EC ter bescherming van personen die tijdens hun werk regelmatig elektrische gereedschappen gebruiken, moet bij een schatting van de blootstelling aan trillingen rekening worden gehouden met de werkelijke omstandigheden van het gebruik en de manier waarop het gereedschap wordt gebruikt. Daarbij moet ook rekening worden gehouden met alle stappen in de gebruikscyclus, zoals het moment waarop het gereedschap wordt uitgeschakeld en wanneer het gereedschap stationair loopt alsook de aanlooptijd.

### Labels op het gereedschap



**Waarschuwing!** De gebruiker moet de instructiehandleiding lezen om het risico op letsel te verminderen.

### Elektrische veiligheid



Dit gereedschap is dubbel geïsoleerd. Een aard aansluiting is daarom niet noodzakelijk. Controleer altijd of uw netspanning overeenkomt met de waarde op het typeplaatje.

- ◆ Dit apparaat mag niet zonder supervisie worden gebruikt door jonge of lichamelijk zwakke mensen. Houd toezicht op kinderen om ervoor te zorgen dat zij niet met het apparaat gaan spelen.
- ◆ Als het netsnoer is beschadigd, moet dit worden vervangen door de fabrikant of een Black & Decker-servicecentrum om gevaren te voorkomen.

### Aanvullende veiligheidsinstructies voor niet-laadbare batterijen

- ◆ Probeer accu's niet te openen, om welke reden ook.
- ◆ Bewaar deze niet op locaties met temperaturen van meer dan 40 °C.
- ◆ Gooi lege accu's weg volgens de instructies in het gedeelte "Milieu".

Verbrand de batterijen niet.

- ◆ Onder extreme omstandigheden kunnen batterijen lekkages vertonen. Ga als volgt te werk als u vloeistof op de batterijen aantreft:
  - Veeg de vloeistof voorzichtig af met een doek.
  - Vermijd huidcontact.

## Aanvullende veiligheidsinstructies voor lasers



Lees deze handleiding zorgvuldig door.



Dit product mag niet worden gebruikt door kinderen onder de 16.



Laserstraling.



Kijk nooit in de laserbundel.



Bekijk de laserbundel evenmin met behulp van optische middelen.

- ◆ Deze laser voldoet aan klasse 2 van IEC-norm 60825+A1+A2:2001. Vervang een laserdiode nooit door een exemplaar van een ander type. Laat een beschadigde laser altijd repareren door een van onze servicecentra.
- ◆ Gebruik de laser niet voor andere doeleinden dan het projecteren van laserlijnen.
- ◆ Bij een laser van klasse 2 mag het oog maar 0,25 seconde aan de laserbundel worden blootgesteld om geen letsel op te lopen. Doorgaans bieden de ooglidreflexen echter een adequate bescherming. Bij afstanden van meer dan 1 m valt de laser onder klasse 1 en wordt deze volkomen veilig geacht.
- ◆ Kijk nooit rechtstreeks in de laserbundel.
- ◆ Bekijk de laserbundel evenmin met behulp van optische middelen.
- ◆ Plaats het gereedschap niet op hoofdhoogte van personen die door de laserbundel kunnen lopen.
- ◆ Zorg dat kinderen uit de buurt van de laser blijven.

### Onderdelen

1. Vergrendelingsknop
2. Aan/uit-schakelaar met variabele snelheden
3. Klepje van de opbergruimte voor het zaagblad
4. Zoolvergrendelingshendel
5. Opening voor stofafzuiging
6. Stofafzuigingsadapter
7. Zool
8. Steunrol voor zaagblad
9. Klem voor zaagblad

### Overige functies (fig. A)

Afhankelijk van het producttype zijn meer functies mogelijk. In fig. A worden deze functies per producttype (catalogusnummer) weergegeven.

## Montage

**Waarschuwing!** Schakel het gereedschap uit, koppel het netsnoer los en wacht tot het zaagblad stilstaat voordat u de volgende handelingen uitvoert. Zaagbladen die kort tevoren in gebruik zijn geweest, kunnen heet zijn.

### Zaagblad aanbrengen (fig. B)

- ◆ Houd het zaagblad (10) zoals weergegeven met de tanden naar voor.
- ◆ Houd de bladklem (9) naar beneden gedrukt.
- ◆ Plaats de zaagbladschacht zo ver mogelijk in de bladhouders (11).
- ◆ Laat de bladklem (9) los.

### Opbergruimte voor zaagbladen (fig. C)

Zaagbladen (10) kunnen worden bewaard in de opbergruimte aan de zijkant van het gereedschap.

- ◆ Open het klepje (3) van de opbergruimte door het lipje bovenaan het klepje (3) naar buiten te trekken.
- ◆ De zaagbladen zijn bevestigd aan een magnetische strip. Als u een blad wilt uitnemen, drukt u op een zijde van het blad, zodat u het blad aan de omhoogkomende zijde kunt vastpakken.
- ◆ Sluit het klepje (3) van de opbergruimte en controleer of het klepje vergrendeld is.

**Waarschuwing!** Zorg ervoor dat het klepje goed dicht zit voordat u de zaag gebruikt.

### Stofzuiger op het gereedschap aansluiten (fig. D)

Als u een stofzuiger wilt aansluiten op het gereedschap, hebt u een adapter nodig. De stofzuigeradapter (6) kan worden aangeschaft bij de leverancier van uw Black & Decker-gereedschap.

- ◆ Druk de adapter (6) in de opening voor de stofafzuiging (5).
- ◆ Verbind de slang van de stofzuiger met de adapter (6).

## Gebruik

### Zool afstellen voor onder verstek zagen (fig. E en F)

**Waarschuwing!** Gebruik het gereedschap nooit als de zool los zit of is verwijderd.

De zool (7) kan onder een linker- of rechterhoek van maximaal 45° worden geplaatst.

- ◆ Trek de zoolvergrendelingshendel (4) naar buiten om de zool (7) los te koppelen uit de stand voor nul graden (fig. F).
- ◆ Trek de zool (7) naar voren en stel de vereiste zaaghoek in (15°, 30° en 45°), zoals aangegeven in het zaaghoekvenster.
- ◆ Druk de zoolvergrendelingshendel (4) terug tegen de zaag om de zool (7) vast te zetten.

Zool (7) opnieuw afstellen voor recht zagen:

- ◆ Trek de zoolvergrendelingshendel (4) naar buiten om de zool (7) los te koppelen.
- ◆ Stel de zool (7) in op een hoek van 0° en druk de zool naar achteren.
- ◆ Druk de zoolvergrendelingshendel (4) terug tegen de zaag om de zool (7) vast te zetten.

## In- en uitschakelen

- ◆ U schakelt het gereedschap in door op de aan-uitschakelaar met variabele snelheden (2) te drukken.
- ◆ U schakelt het gereedschap uit door de aan-uitschakelaar met variabele snelheden (2) los te laten.
- ◆ Druk de vergrendelingsknop (1) in en laat de aan-uitschakelaar (2) los om de continuustand te activeren.
- ◆ Druk vanuit de continuustand op de aan-uitschakelaar (2) en laat deze los om de continuustand te deactiveren.

## Zagen

Houd het gereedschap stevig met beide handen vast tijdens het zagen.

De zool (7) moet stevig worden gedrukt tegen het materiaal dat wordt gezaagd. Zo voorkomt u dat de zaag gaat springen, vermindert u de vibratie en beperkt u bladbreuk tot een minimum.

- ◆ Laat het blad een paar seconden vrij bewegen voordat u begint te zagen.
- ◆ Voer slechts geringe druk op het gereedschap uit terwijl u zaagt.

## Laser bedienen (fig. G - I) (alleen type 'L')

### Batterijen plaatsen (fig. G)

Demonteer de lasermodule (13) van de decoupeerzaag door de schroef (12) te verwijderen en de lasermodule naar voren te trekken. Plaats twee nieuwe 1,5 volt AAA-alkalinebatteries met de positieve (+) en negatieve (-) zijde in de juiste richting. Monteer de lasermodule (13) opnieuw.

### Laser afstellen (fig. H)

**Opmerking:** De laser is slechts een hulpmiddel en garandeert geen exacte zaagsnede.

**Waarschuwing!** Stel de laser niet af terwijl de decoupeerzaag op het stopcontact is aangesloten.

- ◆ Lijn de laserlijn zo nodig met de stelschroef (14) uit ten opzichte van het zaagblad.

Bij een oververhitte decoupeerzaag heeft de laser een lagere zichtbaarheid (lager vermogen). Als de zaag over een langere periode wordt overbelast, is de laserlijn mogelijk helemaal onzichtbaar. Terwijl het gereedschap afkoelt, wordt de laser geleidelijk weer zichtbaar. Dit kunt u niet versnellen door de stekker uit het stopcontact te nemen.

**Waarschuwing!** Laat de oververhitte laser niet ingeschakeld. Zet de schakelaar op OFF en verbreek de stroomtoevoer naar de laser door de batterijen te verwijderen.

## Laser gebruiken (fig. I en J)

De laser projecteert een zaaglijn (17) op het oppervlak van het werkstuk.

- ◆ Druk knop (15) in om de laser in te schakelen.
- ◆ Druk knop (15) nogmaals in om de laser uit te schakelen.

Vanaf de bovenzijde van de decoupeerzaag kunt u de zaaglijn (16) eenvoudig volgen. Als het zicht op de lijn om enige reden wordt belemmerd, kan de laser als alternatieve zaaggeleider worden gebruikt.

- ◆ Markeer de zaaglijn (16) met een potlood.
- ◆ Plaats de decoupeerzaag op de lijn (16).
- ◆ Schakel de laser in.

## Werklicht bedienen (fig. K en L) (alleen type 'W')

Decoupeerzagen met de letter 'W' in het catalogusnummer zijn voorzien van een LED-lampje (18) waarmee het werkgebied rond het zaagblad wordt verlicht.

- ◆ U schakelt het lampje in door de schakelaar (19) in de stand Aan (I) te zetten.
- ◆ U schakelt het lampje uit door de schakelaar (19) in de stand Uit (0) te zetten.

## Tips voor optimaal gebruik

### Gelaagde materialen zagen

Wanneer u laminaat zaagt, kan splintervorming optreden waardoor de bovenkant beschadigd kan raken. De meeste zaagbladen zagen tijdens de opwaartse slag. Als de zool zich op de bovenkant van het laminaat bevindt, moet u een zaagblad gebruiken dat tijdens de neerwaartse slag zaagt of:

- ◆ Gebruik een zaagblad met fijne tanden.
- ◆ Zaag vanaf de achterzijde van het werkstuk.
- ◆ Klem een stuk afvalhout of hardboard aan weerszijden van het werkstuk en zaag door al deze lagen om de splintervorming te minimaliseren.

### Metaal zagen

Houd er rekening mee dat het zagen bij metaal veel meer tijd kost dan bij hout.

- ◆ Gebruik een zaagblad dat geschikt is voor het zagen van metaal.
- ◆ Klem bij dun plaatmetaal een stuk afvalhout aan de achterzijde van het werkstuk en zaag door beide lagen.
- ◆ Breng een oliefilm aan langs de gewenste zaaglijn.

## Onderhoud

Uw Black & Decker-gereedschap is ontworpen om gedurende langere periode te functioneren met een minimum aan onderhoud. U kunt het gereedschap naar volle tevredenheid blijven gebruiken als u voor correct onderhoud zorgt en het gereedschap regelmatig schoonmaakt.

- ◆ Reinig regelmatig de ventilatieopeningen van het gereedschap met een zachte borstel of droge doek.
- ◆ Reinig de behuizing van de motor regelmatig met een vochtige doek. Gebruik geen schuur- of oplosmiddel. Voorkom dat vloeistof het gereedschap binnendringt en dompel nooit enig onderdeel van het gereedschap in vloeistof onder.

## Milieu



Aparte inzameling. Dit product mag niet met normaal huishoudelijk afval worden weggegooid.

Mocht u op een dag constateren dat het Black & Decker-product aan vervanging toe is of dat u het apparaat niet meer nodig hebt, gooi het product dan niet bij het restafval. Het product valt onder de categorie voor kleine elektrische apparaten.



Gescheiden inzameling van gebruikte producten en verpakkingsmaterialen maakt het mogelijk materialen te recyclen en opnieuw te gebruiken. Hergebruik van gerecycleerde materialen zorgt voor minder milieuvervuiling en dringt de vraag naar grondstoffen terug.

Plaatselijke verordeningen kunnen voorzien in gescheiden inzameling van huishoudelijke elektrische producten via gemeentelijke stortplaatsen of via de leverancier bij wie u een nieuw product aanschaft.

Black & Decker biedt de mogelijkheid tot het recyclen van afgedankte Black & Decker-producten. Om gebruik te maken van deze service, dient u het product naar een van onze servicecentra te sturen, die de inzameling voor ons verzorgen.

U kunt het adres van het dichtstbijzijnde servicecentrum opvragen via de adressen op de achterzijde van deze handleiding. U kunt ook een lijst van onze servicecentra en meer informatie over onze klantenservice vinden op het volgende internetadres: [www.2helpU.com](http://www.2helpU.com).



Gooi afgedankte batterijen op verantwoorde wijze weg. Verwijder de batterijen op de hiervoor beschreven wijze.

- ◆ Plaats de batterijen in een geschikte verpakking om ervoor te zorgen dat er geen kortsluiting tussen de polen kan ontstaan.

- ◆ Breng de batterijen naar een inzamellocatie in uw woonplaats.

## Technische gegevens

	KS800E-serie
Spanning	Vac 230
Nominale ingangsspanning	W 520
Onbelaste snelheid	min <sup>-1</sup> 0-3000
Max. zaagdiepte	
Hout	mm 70
Staal	mm 5
Aluminium	mm 15
Gewicht	kg 2,2

## EG-conformiteitsverklaring

KS800E-serie

Black & Decker verklaart dat deze producten in overeenstemming zijn met:

98/37/EC, 2006/95/EEC, EN 60745, EN 55014, EN61000, IEC 60825+A1+A2:2001

Geluidsdrukniveau, volgens EN 60745:

Geluidsdruk ( $L_{pA}$ ) 89 dB(A), meetonzekerheid (K) 3 dB(A)

Geluidsvermogen ( $L_{WA}$ ) 100 dB(A), meetonzekerheid (K) 3 dB(A)

Totale trillingswaarden (som triaxvector) volgens EN 60745:

In hout zagen ( $a_{h, CW}$ ) 6,0 m/s<sup>2</sup>, meetonzekerheid (K) 1,5 m/s<sup>2</sup>

In bladmetaal zagen ( $a_{h, CM}$ ) 6,5 m/s<sup>2</sup>,

meetonzekerheid (K) 1,5 m/s<sup>2</sup>

Kevin Hewitt

Director of Consumer Engineering  
Spennymoor, County Durham DL16 6JG,

Verenigd Koninkrijk

01-10-2007

## Garantie

Black & Decker heeft vertrouwen in haar producten en biedt een uitstekende garantie. Deze garantiebepalingen vormen een aanvulling op uw wettelijke rechten en beperken deze niet. De garantie geldt in de lidstaten van de Europese Unie en de Europese Vrijhandelsassociatie.

Mocht uw Black & Decker product binnen 24 maanden na de datum van aankoop defect raken ten gevolge van materiaal- of constructiefouten, dan garanderen wij de kosteloze vervanging van defecte onderdelen, de reparatie van het product of de vervanging van het product, tenzij:

- ◆ Het product is gebruikt voor handelsdoeleinden, professionele toepassingen of verhuurdoeleinden;
- ◆ Het product onoordeelkundig is gebruikt;

- ◆ Het product is beschadigd door invloeden van buitenaf of door een ongeval;
- ◆ Reparaties zijn uitgevoerd door anderen dan onze servicecentra of Black & Decker-personeel.

Om een beroep te doen op de garantie, dient u een aankoopbewijs te overhandigen aan de verkoper of een van onze servicecentra. U kunt het adres van het dichtstbijzijnde servicecentrum opvragen via de adressen op de achterzijde van deze handleiding. U kunt ook een lijst van onze servicecentra en meer informatie m.b.t. onze klantenservice vinden op het volgende internetadres:

**[www.2helpU.com](http://www.2helpU.com)**

Meld u aan op onze website **[www.blackanddecker.nl](http://www.blackanddecker.nl)** om te worden geïnformeerd over nieuwe producten en speciale aanbiedingen. Verdere informatie over het merk Black & Decker en onze producten vindt u op

**[www.blackanddecker.nl](http://www.blackanddecker.nl)**.

## Uso previsto

La sierra de calar de Black & Decker ha sido diseñada para serrar madera, plástico y planchas de metal. Esta herramienta está pensada únicamente para uso doméstico.

## Instrucciones de seguridad

### Advertencias de seguridad generales para herramientas eléctricas



**¡Atención! Lea todas las advertencias e instrucciones de seguridad.** Si no se siguen las instrucciones de seguridad, pueden producirse descargas eléctricas, incendios o lesiones graves.

### Guarde todas las advertencias e instrucciones para consultarlas en el futuro.

El término "herramienta eléctrica" empleado en las advertencias indicadas a continuación hace referencia a la herramienta eléctrica con alimentación de red (con cable) o alimentada por batería (sin cable).

1. **Seguridad del área de trabajo**
  - a. **Mantenga limpia y bien iluminada el área de trabajo.** El desorden y una iluminación deficiente en las áreas de trabajo pueden provocar accidentes.
  - b. **No utilice la herramienta eléctrica en un entorno con peligro de explosión, en el que se encuentren combustibles líquidos, gases o material en polvo.** Las herramientas eléctricas producen chispas que pueden llegar a inflamar los materiales en polvo o vapores.
  - c. **Mantenga alejados a los niños y otras personas del área de trabajo al emplear la herramienta eléctrica.** Una distracción le puede hacer perder el control sobre la herramienta.
2. **Seguridad eléctrica**
  - a. **El enchufe de la herramienta eléctrica debe corresponder a la toma de corriente utilizada. No modifique el enchufe en forma alguna. No emplee adaptadores en herramientas eléctricas dotadas con toma de tierra.** Los enchufes sin modificar adecuados a las respectivas tomas de corriente reducen el riesgo de una descarga eléctrica.
  - b. **Evite que su cuerpo toque partes conectadas a tierra como tuberías, radiadores, cocinas y refrigeradores.** El riesgo a quedar expuesto a una descarga eléctrica es mayor si su cuerpo tiene contacto con tierra.
  - c. **No exponga las herramientas eléctricas a la lluvia y evite que penetren líquidos en su interior.** Existe el peligro de recibir una descarga eléctrica si penetran ciertos líquidos en la herramienta eléctrica.
  - d. **Cuide el cable de alimentación. No lo utilice para transportar o colgar la herramienta eléctrica, ni tire de él para sacar el enchufe de la toma de corriente. Manténgalo alejado del calor, aceite, bordes afilados o piezas móviles.** Los cables de red dañados o enredados incrementan el riesgo de descarga eléctrica.
  - e. **Al trabajar con una herramienta eléctrica en el exterior utilice solamente cables de prolongación homologados para su uso en exteriores.** La utilización de un cable de prolongación adecuado para su uso en exteriores reduce el riesgo de descarga eléctrica.
  - f. **Si la utilización de una herramienta eléctrica en un lugar húmedo es inevitable, utilice una fuente protegida con un dispositivo de corriente residual (RCD).** La utilización de un RCD reduce el riesgo de sufrir descargas eléctricas.
3. **Seguridad personal**
  - a. **Esté atento a lo que hace y emplee la herramienta eléctrica con prudencia. No utilice la herramienta eléctrica si estuviese cansado, ni tampoco después de haber consumido alcohol, drogas o medicamentos.** El no estar atento durante el uso de una herramienta eléctrica puede provocar serias lesiones.
  - b. **Utilice un equipo de protección personal. Utilice siempre gafas de protección.** El riesgo de lesionarse se reduce considerablemente si se utiliza un equipo de protección adecuado como una mascarilla antipolvo, zapatos de seguridad con suela antideslizante, casco o protectores auditivos.
  - c. **Impida que la herramienta se ponga en marcha accidentalmente. Asegúrese de que el conmutador de encendido/apagado se encuentra en la posición de apagado antes de conectar la herramienta a la fuente de alimentación o a la batería, o de coger o transportar la herramienta.** Transportar la herramienta eléctrica con el dedo sobre el interruptor o enchufarla con el interruptor encendido puede provocar accidentes.
  - d. **Retire las herramientas de ajuste o llaves fijas antes de conectar la herramienta eléctrica.** Una herramienta o llave colocada en una pieza giratoria de la herramienta eléctrica puede producir lesiones al ponerse a funcionar.
  - e. **Sea precavido. Evite adoptar una posición que fatigue su cuerpo; mantenga un apoyo firme sobre el suelo y conserve el equilibrio en todo momento.** Ello le permitirá controlar mejor la herramienta eléctrica en caso de presentarse una situación inesperada.

- f. **Lleve puesta una vestimenta de trabajo adecuada. No lleve vestidos anchos ni joyas. Mantenga su pelo, vestimenta y guantes alejados de las piezas móviles.** La vestimenta suelta, las joyas y el pelo largo se pueden enganchar con las piezas en movimiento.
- g. **Siempre que sea posible utilizar unos equipos de aspiración o captación de polvo, asegúrese que éstos estén montados y que sean utilizados correctamente.** El empleo de estos equipos reduce los riesgos derivados del polvo.

#### 4. Uso y cuidado de herramientas eléctricas

- a. **No sobrecargue la herramienta eléctrica. Use la herramienta eléctrica adecuada para cada aplicación.** Con la herramienta eléctrica adecuada podrá trabajar mejor y más seguro dentro del margen de potencia indicado.
- b. **No utilice herramientas eléctricas con un interruptor defectuoso.** Las herramientas eléctricas que no se puedan conectar o desconectar son peligrosas y deben hacerse reparar.
- c. **Desconecte de la herramienta eléctrica el enchufe de la fuente de alimentación y de la batería antes de realizar cualquier ajuste, cambiar accesorios o guardar la herramienta.** Esta medida preventiva reduce el riesgo de conectar accidentalmente la herramienta eléctrica.
- d. **Guarde las herramientas eléctricas fuera del alcance de los niños y de las personas que no estén familiarizadas con su uso.** Las herramientas eléctricas utilizadas por personas inexpertas son peligrosas.
- e. **Cuide sus herramientas eléctricas con esmero. Controle si funcionan correctamente, sin atascarse, las partes móviles de la herramienta eléctrica, y si existen partes rotas o deterioradas que pudieran afectar al funcionamiento de la herramienta. Si la herramienta eléctrica estuviese defectuosa haga que la reparen antes de volver a utilizarla.** Muchos accidentes se deben a herramientas eléctricas con un mantenimiento deficiente.
- f. **Mantenga las herramientas de corte limpias y afiladas.** Las herramientas de corte mantenidas correctamente se dejan guiar y controlar mejor.
- g. **Utilice la herramienta eléctrica, los accesorios, los útiles de la herramienta, etc. de acuerdo con estas instrucciones, y tenga en cuenta las condiciones de trabajo y la tarea a realizar.** El uso de herramientas eléctricas para trabajos diferentes de aquellos para los que han sido concebidas puede resultar peligroso.

#### 5. Servicio técnico

- a. **Haga reparar la herramienta eléctrica sólo por personal técnico autorizado que emplee exclusivamente piezas de repuesto idénticas.** Solamente así se garantiza la seguridad de la herramienta eléctrica.

#### Advertencias de seguridad adicionales para herramientas eléctricas



**¡Atención!** Advertencias de seguridad adicionales para las sierras de calar.

- ◆ **Sujete la herramienta por la superficie protegida cuando realice una operación donde la herramienta de corte pueda entrar en contacto con cableado oculto o con su propio cable.** El contacto con un cable conectado podría dejar al descubierto partes metálicas de la herramienta y provocar una descarga al usuario.
- ◆ **Utilice pinzas u otro método práctico para asegurar y sujetar la pieza de trabajo a una plataforma estable.** Si sostiene la pieza con la mano o contra el cuerpo hay posibilidades de que pierda el control.
- ◆ **Mantenga las manos alejadas de la zona de corte.** Nunca ponga la mano bajo la pieza de trabajo. No introduzca los dedos en los alrededores de la hoja recíprocante ni en el enganche de ésta. No establezca la sierra agarrando la base.
- ◆ **Mantenga las hojas afiladas.** Las hojas flojas o dañadas pueden provocar que la sierra dé un viraje brusco o se paralice al ejercer la presión para el corte. Utilice siempre el tipo de hoja de serrar apropiada para cada tipo de material de trabajo y corte.
- ◆ **Al cortar una cañería o tubo asegúrese que no contienen restos de agua, cableado eléctrico, etc.**
- ◆ **No toque la pieza de trabajo o la hoja justo después de utilizar la herramienta.** Pueden alcanzar temperaturas muy elevadas.
- ◆ **Tenga en cuenta los peligros ocultos, antes de serrar paredes, suelos o techos, compruebe la ubicación de los cables y tubos.**
- ◆ **La hoja seguirá moviéndose después de soltar el interruptor.** Apague la herramienta y espere siempre a que la hoja se detenga completamente antes de dejar la herramienta.

**¡Atención!** El contacto o inhalación del polvo procedente de la sierra puede poner en peligro la salud del usuario y de cualquier otra persona que se encuentre alrededor. Utilice una mascarilla diseñada específicamente para proteger contra el polvo y los vapores, y asegúrese de que las demás personas que se encuentren dentro, o vayan a entrar en el área de trabajo, también estén protegidas.



- ◆ Elimine a fondo todo el polvo después de lijar.
- ◆ Ponga cuidado cuando lije pinturas con posible contenido de plomo o algunos tipos de maderas y metales que puedan producir polvo tóxico.
  - No permita la entrada de niños ni de mujeres embarazadas al área de trabajo.
  - No ingiera alimentos ni bebidas, ni fume en el área de trabajo.
  - Deshágase de las partículas de polvo y demás residuos de un modo seguro.
- ◆ Las personas (incluyendo niños) con capacidades físicas, sensoriales o mentales disminuidas o que carezcan de experiencia y conocimientos no deben utilizar esta herramienta, salvo que hayan recibido supervisión o formación con respecto al uso del aparato por parte de una persona responsable de su seguridad. Los niños deben vigilarse en todo momento para garantizar que el aparato no se toma como elemento de juego.
- ◆ En este manual de instrucciones se describe el uso para el que se ha diseñado el aparato. La utilización de accesorios o la realización de operaciones con esta herramienta distintas de las recomendadas en este manual de instrucciones puede presentar un riesgo de lesiones y/o daños materiales.

### Vibración

El valor de emisión de vibraciones declarado en el apartado de características técnicas y en la declaración de conformidad se ha calculado según un método de prueba estándar proporcionado por la norma EN60745 y podrá utilizarse para comparar una herramienta con otra. El valor de emisión de vibraciones declarado también podrá utilizarse en una evaluación preliminar de la exposición.

**¡Atención!** El valor de emisión de vibraciones durante el funcionamiento real de la herramienta eléctrica puede diferir del valor declarado en función de cómo se utilice dicha herramienta. El nivel de las vibraciones puede aumentar por encima del nivel declarado.

Al evaluar la exposición a las vibraciones con el fin de determinar las medidas de seguridad que exige la norma 2002/44/CE para proteger a las personas que utilizan periódicamente herramientas eléctricas en sus puestos de trabajo, deberá tenerse en cuenta una estimación de la exposición a las vibraciones, las condiciones de uso reales y el modo de empleo de la herramienta, así como los pasos del ciclo operativo como, por ejemplo, el número de veces que la herramienta se apaga y se desconecta y el tiempo de activación.

### Etiquetas en la herramientas



**¡Atención!** Para reducir el riesgo de lesiones, el usuario debe leer el manual de instrucciones.

### Seguridad eléctrica



La herramienta lleva un doble aislamiento; por lo tanto no requiere de una toma a tierra. Compruebe siempre que la tensión de la red corresponda con el valor indicado en la placa de datos de la herramienta.

- ◆ Este aparato no ha sido concebido para ser utilizado por jóvenes ni personas discapacitadas sin supervisión. Debe vigilarse a los niños para asegurarse de que no jueguen con el aparato.
- ◆ Si se llegase a dañar el cable de alimentación, deberá ser sustituido por el fabricante o por un centro de asistencia técnica autorizado de Black & Decker para evitar cualquier situación de riesgo.

### Instrucciones de seguridad adicionales para pilas no recargables

- ◆ No intente abrirlas bajo ningún concepto.
- ◆ No las almacene en lugares en los que la temperatura pueda superar los 40 °C.
- ◆ Cuando vaya a desechar las baterías, siga las instrucciones facilitadas en la sección "Protección del medio ambiente".

No arroje las pilas al fuego.

- ◆ Es posible que se produzcan fugas en las pilas en condiciones extremas. Si observa líquido en las pilas, siga el procedimiento indicado a continuación:
  - Limpie cuidadosamente el líquido con un paño. Evite el contacto con la piel.

### Instrucciones de seguridad adicionales para aparatos con láser



Lea este manual con atención.



Los menores de 16 años no deben utilizar este producto.



Radiación del láser.



No mire directamente el rayo láser.



No utilice herramientas ópticas para mirar el rayo láser.

- ◆ El láser cumple con la clase 2 de acuerdo con las normas IEC 60825+A1+A2:2001IEC 60825+A1+A2:2001. No sustituya el diodo láser con otro de diferente tipo. Si se daña el láser, solicite su reparación al servicio técnico autorizado.
- ◆ No utilice el láser para un fin diferente al de proyectar líneas.
- ◆ Una exposición a un láser de clase 2 inferior a 0,25 segundos se considera que no tiene riesgos. Como norma general, el acto reflejo natural al parpadear proporcionará la protección adecuada. A distancias mayores de 1 m, el láser cumple con la clase 1 y, por tanto, se considera totalmente seguro.
- ◆ Nunca mire directa e intencionadamente el rayo láser.
- ◆ No utilice herramientas ópticas para mirar el rayo láser.
- ◆ No coloque la herramienta en un lugar en el que el rayo láser pueda incidir en una persona a la altura de la cabeza.
- ◆ No permita que los niños se acerquen al láser.

## Características

1. Botón de bloqueo
2. Interruptor de encendido/apagado de velocidad variable
3. Tapa del compartimiento de almacenamiento de hojas
4. Palanca de bloqueo de la base
5. Salida de aspiración de polvo
6. Adaptador de extracción de polvo
7. Base
8. Rodillo de apoyo para la hoja
9. Enganche de liberación de la hoja de la herramienta

## Características adicionales (fig. A)

Las características adicionales serán aplicables en función del producto adquirido. Las características adicionales aplicables al número de catálogo del producto adquirido se indican en la figura A.

## Montaje

**¡Atención!** Antes de llevar a cabo cualquiera de las siguientes operaciones, asegúrese de que la herramienta está desconectada, desenchufada y que la hoja se ha detenido. Después de utilizar la hoja, ésta puede estar caliente.

## Colocación de la hoja (fig. B)

- ◆ Coloque la hoja (10) como se muestra en la ilustración, con los dientes hacia delante.
- ◆ Presione el enganche de la hoja (9) y manténgalo en esta posición.
- ◆ Introduzca el vástago de la hoja en el soporte (11) hasta que encaje.

- ◆ Libere el enganche de la hoja (9).

## Almacenamiento de la hoja (fig. C)

Es posible guardar las hojas (10) en el compartimiento de almacenamiento que se encuentra en el lateral de la herramienta.

- ◆ Sujete la lengüeta de la parte superior de la tapa (3) del compartimiento de almacenamiento de hojas y tire de ésta hacia fuera para abrirla.
- ◆ Las hojas se mantienen en el compartimiento gracias a una banda magnética. Para extraer una hoja, presiónela por un extremo para que se levante el otro y, a continuación, retírela.
- ◆ Cierre la tapa (3) del compartimiento de almacenamiento de hojas y compruebe que queda correctamente cerrada.

**¡Atención!** Cierre la puerta del compartimiento firmemente antes de utilizar la sierra.

## Conexión de una aspiradora a la herramienta (fig. D)

Se necesita un adaptador para conectar una aspiradora o un extractor de polvo a la herramienta. El adaptador de extracción de polvo (6) puede adquirirse a través del distribuidor local de Black & Decker.

- ◆ Presione el adaptador (6) sobre la salida de aspiración de polvo (5).
- ◆ Conecte la manguera de la aspiradora al adaptador (6).

## Uso

### Ajuste de la base para cortes biselados (fig. E y F)

**¡Atención!** Nunca utilice la herramienta sin la base montada y correctamente apretada.

Es posible ajustar la base (7) en un ángulo en bisel izquierdo o derecho de hasta 45°.

- ◆ Tire de la palanca de bloqueo de la base (4) hacia fuera para desbloquear la base (7) de la posición de cero grados (fig. F).
- ◆ Tire de la base (7) hacia delante y ajuste el bisel a 15°, 30° o 45° indicado en el visor del ángulo en bisel.
- ◆ Presione la palanca de bloqueo de la base (4) hacia atrás en dirección a la sierra para bloquear la base (7).

Para reajustar la base (7) para cortes rectos:

- ◆ Tire de la palanca de bloqueo de la base (4) hacia fuera para desbloquear la base (7).
- ◆ Ajuste la base (7) en un ángulo aproximado de 0° y, a continuación, empújela hacia atrás.
- ◆ Presione la palanca de bloqueo de la base (4) hacia atrás en dirección a la sierra para bloquear la base (7).

### Encendido y apagado

- ◆ Para encender la herramienta, pulse el interruptor de encendido/apagado de velocidad variable (2).
- ◆ Para apagar la herramienta, suelte el interruptor de encendido/apagado de velocidad variable (2).
- ◆ Para un funcionamiento continuo, pulse el botón de bloqueo (1) y suelte el botón de encendido/apagado (1).
- ◆ Para apagar la herramienta mientras esté activado el funcionamiento continuo, pulse el botón de encendido/apagado (2) y suéltelo.

### Serrado

Sostenga firmemente la herramienta con las dos manos durante el corte.

La base (7) debe sostenerse firmemente contra el material que se va a cortar. Esto ayudará a evitar que la sierra salte, reducirá la vibración y disminuirá las posibilidades de rotura de la hoja.

- ◆ Deje que la hoja se mueva durante unos segundos antes de empezar a cortar.
- ◆ Aplique presión suavemente a la herramienta mientras realiza el corte.

### Funcionamiento del láser (fig. G - I) (sólo unidades "L")

#### Colocación de las pilas (fig. G)

Separe el módulo de láser (13) de la sierra de calar. Para ello, extraiga el tornillo (12) y tire del módulo de láser hacia delante. Introduzca dos pilas alcalinas AAA de 1,5 Voltios nuevas y asegúrese de que hace coincidir los terminales positivo (+) y negativo (-) correctamente. Vuelva a colocar el módulo de láser (13)

#### Ajuste lateral del láser (figura H)

**Nota:** El láser se considera como una guía para el corte y no garantiza un corte con precisión.

**¡Atención!** No ajuste el láser con la sierra enchufada.

- ◆ Si fuera necesario, utilice los tornillos de ajuste del láser (14) para alinear la línea del láser con la hoja.

La visibilidad del láser (brillo) se reducirá si la sierra se recalienta. Es posible que el láser no sea visible si la sierra se utiliza continuamente durante un periodo de tiempo prolongado. El brillo del láser volverá gradualmente cuando la herramienta se enfríe aunque esté desenchufada.

**¡Atención!** No deje encendido el láser recalientado.

Asegúrese de que el botón de encendido/apagado se encuentra en la posición OFF y extraiga las pilas para cortar la alimentación del láser.

#### Utilización del láser (fig. I y J)

El láser proyecta la línea de corte (17) en la superficie de la pieza de trabajo.

- ◆ Para encender el láser, pulse el botón (15).
- ◆ Para apagar el láser, pulse el botón (15) de nuevo.

Si mira directamente por encima de la sierra de calar, la línea de corte (16) se puede seguir fácilmente. En el caso de que la visibilidad esté obstruida por el motivo que sea, el láser se puede utilizar como una guía de corte alternativa.

- ◆ Utilice un lápiz para marcar la línea de corte (16).
- ◆ Coloque la sierra de calar encima de la línea (16).
- ◆ Encienda el láser.

### Funcionamiento de la luz de trabajo (fig. K y L) (sólo unidades "W")

Las unidades que incluyen una "W" en el número de catálogo se suministran con una luz LED (18) para iluminar el área que rodea la hoja.

- ◆ Para encender la luz de trabajo, deslice el interruptor (19) hacia la posición de encendido (I).
- ◆ Para apagar la luz de trabajo, deslice el interruptor (19) hacia la posición de apagado (0).

### Consejos para un uso óptimo

#### Serrado de material laminado

Al realizar el corte, es posible que se astille el laminado y, por consiguiente, que se dañe la superficie de presentación. La mayoría de hojas de sierra cortan con movimiento hacia arriba, por lo que, si la base está apoyada en la superficie de presentación, utilice una hoja de sierra que corte hacia abajo o:

- ◆ Utilice una hoja de sierra con dientes pequeños.
- ◆ Sierre por la parte trasera de la pieza de trabajo.
- ◆ Para minimizar el astillado de la superficie, sujete una plancha de madera o metal a ambos lados de la pieza de trabajo y sierre el conjunto.

#### Serrado de metal

Tenga en cuenta que serrar metal lleva mucho más tiempo que serrar madera.

- ◆ Utilice una hoja apropiada para serrar metal.
- ◆ Cuando corte una plancha de metal delgada, sujete un tablero o trozo de madera en la parte trasera de la pieza de trabajo y corte el conjunto.
- ◆ Extienda una película de aceite a lo largo de la línea que va a cortar.

### Mantenimiento

La herramienta de Black & Decker ha sido diseñada para que funcione durante un largo período de tiempo con un mantenimiento mínimo. El funcionamiento satisfactorio continuado depende de un cuidado apropiado y una limpieza periódica de la herramienta.

- ◆ Limpie periódicamente las ranuras de ventilación de la herramienta con un cepillo suave o un paño seco.
- ◆ Limpie periódicamente la carcasa del motor con un paño húmedo. No utilice limpiadores de base abrasiva ni disolventes. Evite que penetre líquido en el interior de la herramienta y nunca sumerja ninguna parte de sus partes en líquido.

## Protección del medio ambiente



Recogida selectiva. No se debe desechar este producto con el resto de residuos domésticos.

Si llegase el momento en que fuese necesario sustituir su producto Black & Decker o si éste dejase de tener utilidad, no lo deseche junto a sus residuos domésticos. Entréguelo en el punto de recogida selectiva.



La recogida selectiva de productos y embalajes usados permite el reciclaje de materiales y su reutilización. La reutilización de materiales reciclados contribuye a evitar la contaminación medioambiental y reduce la demanda de materias primas.

Las normativas municipales deben ofrecer la recogida selectiva de productos eléctricos del hogar, en puntos municipales previstos para ello o a través del distribuidor en el caso en que se adquiriera un nuevo producto.

Black & Decker proporciona facilidades para la recogida y reciclado de los productos Black & Decker que hayan llegado al final de su vida útil. Para poder utilizar este servicio, le rogamos entregue el producto a cualquier servicio técnico autorizado que se hará cargo de él en nuestro nombre.

Para consultar la dirección del servicio técnico más cercano póngase en contacto con la oficina local de Black & Decker en la dirección que se indica en este manual. Como alternativa, se puede consultar en Internet, en la dirección siguiente, la lista de servicios técnicos autorizados e información completa sobre nuestros servicios de posventa y contactos: [www.2helpU.com](http://www.2helpU.com).



Al final de su vida útil, deseche las pilas respetando el medio ambiente. Extráigaslas como se ha descrito anteriormente.

- ◆ Coloque las pilas en un embalaje adecuado para garantizar que no se pueda crear un cortocircuito con los terminales.
- ◆ Lleve las pilas a un centro de reciclaje local.

## Características técnicas

Serie KS800E	
Voltaje	V de CA 230
Entrada nominal	W 520
Velocidad sin carga	mín. <sup>-1</sup> 0-3000
Profundidad máxima de corte	
Madera	mm 70
Acero	mm 5
Aluminio	mm 15
Peso	kg 2,2

## Declaración de conformidad CE

Serie KS800E

Black & Decker declara que estos productos cumplen las normas siguientes:

98/37/CE, 2006/95/CEE, EN 60745, EN 55014, EN61000, IEC 60825+A1+A2:2001

Nivel de presión acústica de acuerdo con la directiva EN 60745:

Presión acústica ( $L_{pA}$ ) 89 dB (A), incertidumbre (K) 3 dB (A)  
Potencia acústica ( $L_{WA}$ ) 100 dB (A), incertidumbre (K) 3 dB (A)

Valores totales de vibración (suma vectorial triaxial) de acuerdo con la norma EN 60745:

Corte de madera ( $a_{h, CW}$ ) 6,0 m/s<sup>2</sup>, incertidumbre (K) 1,5 m/s<sup>2</sup>  
Corte de planchas de metal ( $a_{h, CM}$ ) 6,5 m/s<sup>2</sup>, incertidumbre (K) 1,5 m/s<sup>2</sup>

Kevin Hewitt

Director de Ingeniería del Consumidor  
Spennymoor, County Durham DL16 6JG,

Reino Unido  
01-10-2007

## Garantía

Black & Decker confía plenamente en la calidad de sus productos y ofrece una garantía extraordinaria. Esta declaración de garantía es un añadido, y en ningún caso un perjuicio para sus derechos estatutarios. La garantía es válida dentro de los territorios de los Estados miembros de la Unión Europea y de los de la Zona Europea de Libre Comercio.

Si cualquier producto de Black & Decker resultara defectuoso debido a materiales o mano de obra defectuosos o a la falta de conformidad, Black & Decker garantiza, dentro de los 24 meses posteriores a la fecha de compra, la sustitución de las piezas defectuosas, la reparación de los productos sujetos a un desgaste y rotura razonables o la sustitución de tales productos para garantizar al cliente el mínimo de inconvenientes, a menos que:

- ◆ El producto se haya utilizado con propósitos comerciales, profesionales o de alquiler.
- ◆ El producto se haya sometido a un uso inadecuado o negligente.
- ◆ El producto haya sufrido daños causados por objetos o sustancias extrañas o accidentes.
- ◆ Se hayan realizado reparaciones por parte de personas que no sean del servicio técnico autorizado o personal de servicios de Black & Decker.

Para reclamar en garantía, será necesario que presente la prueba de compra al vendedor o al servicio técnico de reparaciones autorizado. Pueden consultar la dirección de su servicio técnico más cercano poniéndose en contacto con la oficina local de Black & Decker en la dirección que se indica en este manual. Como alternativa, se puede consultar en Internet, en la dirección siguiente, la lista de servicios técnicos autorizados e información completa de nuestros servicios de postventa y contactos:

**[www.2helpU.com](http://www.2helpU.com)**

Visite nuestro sitio web **[www.blackanddecker.eu](http://www.blackanddecker.eu)** para registrar su nuevo producto Black & Decker y mantenerse al día sobre nuestros productos y ofertas especiales.

Encontrará más información acerca de la marca Black & Decker y de la gama de productos que ofrece en la dirección **[www.blackanddecker.eu](http://www.blackanddecker.eu)**.

## Utilização

A sua serra eléctrica Black & Decker foi concebida para serrar madeira, plástico e chapas metálicas. Esta ferramenta destina-se apenas a utilização doméstica.

## Instruções de segurança

### Avisos de segurança gerais para ferramentas eléctricas



**Advertência! Leia com atenção todos os avisos de segurança e instruções.** O não cumprimento de todas as instruções pode resultar em choque eléctrico, incêndio e/ou graves lesões.

**Guarde todos os avisos e instruções para consulta futura.**

A expressão "ferramenta eléctrica" utilizada a seguir refere-se a ferramentas eléctricas com ligação à corrente eléctrica (com cabo) ou com bateria (sem fios).

1. **Segurança na área de trabalho**
    - a. **Mantenha a área de trabalho limpa e bem iluminada.** Áreas desarrumadas e mal iluminadas são propícias a acidentes.
    - b. **Não trabalhe com ferramentas eléctricas em áreas com risco de explosão, nas quais se encontrem líquidos, gases ou poeiras inflamáveis.** As ferramentas eléctricas produzem faíscas que podem provocar a ignição de poeiras ou vapores.
    - c. **Mantenha crianças e outras pessoas afastadas durante a utilização da ferramenta eléctrica.** As distrações podem dar origem a que perca o controlo da ferramenta.
  2. **Segurança eléctrica**
    - a. **A ficha da ferramenta eléctrica deve caber na tomada. A ficha não deve ser modificada de modo algum. Não utilize quaisquer fichas adaptadoras com ferramentas eléctricas ligadas à terra.** Fichas sem modificações e tomadas adequadas reduzem o risco de choques eléctricos.
    - b. **Evite que o corpo entre em contacto com superfícies ligadas à terra, como tubos, radiadores, fogões e frigoríficos.** Existe um maior risco de choque eléctrico se o seu corpo estiver ligado à terra.
    - c. **As ferramentas eléctricas não podem ser expostas a chuva nem humidade.** A penetração de água na ferramenta eléctrica aumenta o risco de choques eléctricos.
  - d. **Manuseie o cabo com cuidado. O cabo não deve ser utilizado para transportar ou pendurar a ferramenta, nem para puxar a ficha da tomada. Mantenha o cabo afastado de calor, óleo, pontas afiadas ou partes móveis.** Cabos danificados ou torcidos aumentam o risco de choques eléctricos.
  - e. **Quando trabalhar com uma ferramenta eléctrica ao ar livre, utilize um cabo de extensão apropriado para esse fim.** A utilização de um cabo apropriado para áreas ao ar livre reduz o risco de choques eléctricos.
  - f. **Se for inevitável trabalhar com uma ferramenta eléctrica num local húmido, utilize um Dispositivo de Corrente Residual (RCD).** A utilização de um RCD reduz o risco de choque eléctrico.
3. **Segurança pessoal**
    - a. **Mantenha-se atento, observe o que está a fazer e seja prudente ao trabalhar com a ferramenta eléctrica. Não utilize uma ferramenta eléctrica se estiver cansado ou sob a influência de drogas, álcool ou medicamentos.** Um momento de falta de atenção durante a utilização de ferramentas eléctricas poderá causar graves lesões.
    - b. **Utilize equipamento de protecção pessoal. Use sempre óculos de protecção.** Equipamento de protecção como, por exemplo, máscara anti-poeiras, sapatos de segurança anti-derrapantes, capacete de segurança ou protecção auricular, de acordo com o tipo e a aplicação de ferramenta eléctrica, reduz o risco de lesões.
    - c. **Evite arranques involuntários. Certifique-se de que o botão está desligado antes de ligar a ferramenta à corrente eléctrica e/ou a bateria, pegando ou transportando a ferramenta.** Transportar ferramentas eléctricas com o dedo no botão ou ligar ferramentas eléctricas à tomada com o interruptor na posição de ligado pode dar origem a acidentes.
    - d. **Retire eventuais chaves de ajuste ou chaves de fenda, antes de ligar a ferramenta eléctrica.** Uma chave de fenda ou chave de ajuste que se encontre numa peça rotativa da ferramenta eléctrica poderá causar lesões.
    - e. **Não se incline. Mantenha-se sempre bem posicionado e em equilíbrio.** Desta forma, será mais fácil controlar a ferramenta eléctrica em situações inesperadas.
    - f. **Utilize vestuário adequado. Não utilize roupas largas nem jóias. Mantenha o cabelo, roupa e luvas afastados de peças em movimento.** Roupas largas, jóias ou cabelos longos podem ficar presos nas peças em movimento.

- g. Se for prevista a montagem de dispositivos de extracção e recolha de pó, assegure-se de que estão ligados e que são utilizados de forma correcta. A utilização destes dispositivos reduz os riscos relacionados com pó.
4. **Utilização e manutenção da ferramenta eléctrica**
- a. **Não sobrecarregue a ferramenta eléctrica. Utilize a ferramenta eléctrica adequada para o trabalho pretendido.** A ferramenta eléctrica correcta realizará o trabalho de forma melhor e mais segura, com a potência com que foi concebida.
- b. **Não utilize a ferramenta eléctrica se o interruptor não puder ser ligado nem desligado.** Qualquer ferramenta eléctrica que não possa ser controlada com o interruptor é perigosa e terá de ser reparada.
- c. **Desligue a ficha da tomada e/ou a bateria da tomada antes de proceder a ajustes, trocar acessórios ou guardar ferramentas eléctricas.** Estas medidas de prevenção de segurança reduzem o risco de ligação inadvertida da ferramenta eléctrica.
- d. **Mantenha as ferramentas eléctricas que não estiverem a ser utilizadas fora do alcance de crianças. Não permita que a ferramenta eléctrica seja utilizada por pessoas não familiarizadas com a mesma ou que não tenham lido estas instruções.** As ferramentas eléctrica são perigosas se utilizadas por pessoas não qualificadas.
- e. **Efectue a manutenção das ferramentas eléctricas. Verifique se as partes móveis estão desalinhadas ou bloqueadas, se existem peças partidas ou qualquer outra situação que possa afectar o funcionamento das ferramentas eléctricas. As peças danificadas devem ser reparadas antes da utilização da ferramenta eléctrica.** Muitos acidentes têm como causa uma manutenção insuficiente das ferramentas eléctricas.
- f. **Mantenha as ferramentas de corte sempre afiadas e limpas.** As ferramentas de corte com a manutenção adequada e as extremidades afiadas bloqueiam com menos frequência e são mais fáceis de controlar.
- g. **Utilize a ferramenta eléctrica, acessórios e peças de ferramenta de acordo com estas instruções, considerando as condições de trabalho e o tarefa a ser executada.** A utilização da ferramenta eléctrica para fins diferentes dos previstos pode resultar em situações perigosas.

## 5. Reparação

- a. **A sua ferramenta eléctrica só deve ser reparada por pessoal qualificado e só devem ser colocadas peças sobressalentes originais.** Isso garante a manutenção da segurança da ferramenta eléctrica.

### Avisos de segurança adicionais para ferramentas eléctricas



**Advertência!** Avisos de segurança adicionais para serras eléctricas.

- ◆ **Segure a ferramenta pelas áreas isoladas quando executar uma operação onde a ferramenta de corte pode entrar em contacto com cablagem oculta ou o seu próprio cabo.** O contacto com um cabo "electrificado" irá expor peças metálicas do sistema eléctrico da ferramenta e provocar choques ao utilizador.
  - ◆ **Utilize grampos ou outro meio prático para fixar e apoiar a peça numa plataforma estável.** Se fixar a peça com a mão ou contra o seu corpo, a peça fica instável e pode dar origem à perda de controlo.
  - ◆ **Mantenha as mãos afastadas da área de corte.** Nunca manuseie a parte inferior da peça de trabalho em circunstância alguma. Não introduza os dedos perto da lâmina correspondente e grampo da lâmina. Não estabilize a serra, agarrando a protecção.
  - ◆ **Mantenha as lâminas afiadas.** Lâminas embotadas ou danificadas podem desviar ou encravar a serra sob pressão. Utilize sempre o tipo de lâmina de serra adequado ao material e tipo de corte.
  - ◆ **Quando cortar tubos ou condutas, certifique-se de que não têm água, cablagem, etc.**
  - ◆ **Não toque na peça ou na lâmina quando abrir a ferramenta.** Podem estar muito quentes.
  - ◆ **Tenha cuidado com os perigos escondidos, antes de cortar em paredes, tectos ou chãoes devido à localização de fios e tubos.**
  - ◆ **A lâmina irá continuar a mover-se depois de desengatar o interruptor.** Desligue sempre a ferramenta e aguarde até que a lâmina da serra pare completamente antes de pousar a ferramenta.
- Advertência!** O contacto ou a inalação de poeiras originadas pelas aplicações de corte poderá colocar em perigo a saúde do operador ou das pessoas presentes. Utilize uma máscara de protecção contra poeiras especificamente concebida para protecção contra poeiras e vapores e certifique-se de que as pessoas perto da área de trabalho também estão protegidas.
- ◆ Remova completamente toda a poeira depois de terminar.

- ◆ Tenha cuidados especiais quando lixar pinturas que possam conter chumbo ou algumas madeiras e metais que possam produzir poeiras tóxicas:
  - Não permita que crianças ou mulheres grávidas entrem na área de trabalho.
  - Não coma, beba ou fume na área de trabalho.
  - Elimine as partículas de poeira e outros detritos de forma segura.
- ◆ Este aparelho não deve ser utilizado por pessoas (incluindo crianças) que apresentem capacidades físicas, sensoriais ou mentais reduzidas ou que não possuam os conhecimentos e a experiência necessários, excepto se forem vigiadas e instruídas acerca da utilização do aparelho por uma pessoa responsável pela sua segurança. As crianças deverão ser vigiadas para que não mexam no aparelho.
- ◆ A utilização prevista para este aparelho está descrita no manual de instruções. A utilização de qualquer acessório ou a realização de qualquer operação com este aparelho que não se inclua no presente manual de instruções poderá representar um risco de ferimentos pessoais e/ou danos materiais

## Vibração

Os valores de emissão de vibração declarados na secção de dados técnicos e na declaração de conformidade foram medidos de acordo com o método de teste padrão fornecido pela EN 60745 e podem ser utilizados para comparar ferramentas. O valor de emissão de vibração declarado pode ainda ser utilizado numa avaliação preliminar de exposição.

**Advertência!** O valor de emissão de vibração durante a utilização actual da ferramenta eléctrica pode ser diferente do valor declarado, dependendo da forma como a ferramenta é utilizada. O nível de vibração pode aumentar acima do nível indicado.

Quando avaliar a exposição da vibração para determinar as medidas de segurança exigidas pela 2002/44/EC para proteger pessoas que utilizem regularmente ferramentas eléctricas, deve ser considerada uma estimativa de exposição de vibração, as actuais condições de utilização e o modo de como a ferramenta é utilizada, incluindo ainda todas as partes do ciclo de funcionamento, como os períodos de inactividade e espera da ferramenta, para além do tempo de funcionamento.

## Rótulos na ferramentas



**Advertência!** Para reduzir o risco de ferimentos, o utilizador deve ler o manual de instruções.

## Segurança eléctrica



Esta ferramenta tem um isolamento duplo e, por isso, não é necessário um fio de terra. Verifique sempre se a fonte de alimentação corresponde à tensão indicada na placa de especificações.

- ◆ Este aparelho não se destina a ser utilizado por jovens ou pessoas enfermas sem supervisão. As crianças deverão ser vigiadas para que não mexam no aparelho.
- ◆ Se o cabo de alimentação for danificado, terá de ser substituído pelo fabricante ou por um centro de assistência autorizada Black & Decker para evitar acidentes.

## Instruções de segurança adicionais para pilhas não recarregáveis.

- ◆ Nunca, por motivo algum, tente abrir as pilhas.
- ◆ Não as armazene em locais onde a temperatura possa exceder os 40 °C.
- ◆ Quando eliminar as baterias, siga as instruções da secção "Proteger o ambiente".

Não efectue uma incineração das pilhas.

- ◆ Em condições extremas, pode ocorrer uma fuga nas pilhas. Se verificar a existência de líquido nas pilhas, proceda do seguinte modo:
  - Limpe cuidadosamente o líquido com um pano. Evite o contacto com a pele.

## Instruções de segurança adicionais para lasers



Leia com atenção todo o manual.



Este produto não deve ser utilizado por crianças com menos de 16 anos.



Radiação laser.



Não olhe directamente para o feixe a laser.



Não utilize ferramentas ópticas para visualizar o feixe a laser.

- ◆ Este laser respeita a classe 2 em conformidade com a norma IEC 60825+A1+A2:2001. Não substitua um diodo laser por um tipo diferente. Se o laser estiver danificado, solicite a respectiva reparação a um agente de reparação autorizado.



- ◆ Não utilize o laser para outro fim que não a projecção de riscas de laser.
- ◆ A exposição ocular ao feixe de laser de classe 2 é considerada segura durante um máximo de 0,25 segundos. Os reflexos da pálpebra fornecem normalmente a protecção adequada. O laser respeita a classe 1 a distâncias superiores a 1m, pelo que é considerado completamente seguro.
- ◆ Não olhe directamente para o feixe a laser.
- ◆ Não utilize ferramentas ópticas para visualizar o feixe a laser.
- ◆ Configure a ferramenta de modo a que o feixe a laser não atravesse a altura da cabeça de uma pessoa.
- ◆ Não permita que as crianças se aproximem do laser.

### Funções

1. Botão de bloqueio
2. Interruptor para ligar/desligar, de velocidade variável
3. Tampa do compartimento de recolha de lâminas
4. Alavanca de bloqueio do arrasto
5. Saída de extracção de poeiras
6. Adaptador de extracção de poeiras
7. Arrasto
8. Rolo de suporte de lâminas
9. Grampo de lâminas sem necessidade de ferramentas

### Funções adicionais (fig. A)

As funções adicionais podem ser aplicadas consoante o produto adquirido. As características adicionais aplicadas ao número do catálogo adquirido são apresentadas na fig. A.

### Montagem

**Advertência!** Antes de tentar executar qualquer uma das operações que se seguem, certifique-se de que a ferramenta está desligada e a lâmina de serra está parada. As lâminas de serra usadas poderão estar quentes.

#### Ajustar a lâmina de serra (fig. B)

- ◆ Segure a lâmina de serra (10) conforme indicado, com os dentes virados para a frente.
- ◆ Pressione para baixo e mantenha pressionado o grampo da lâmina (9).
- ◆ Insira a haste da lâmina de serra no porta-lâminas (11) o mais distante possível.
- ◆ Desengate o grampo da lâmina (9).

#### Recolher a lâmina de serra (fig. C)

As lâminas de serra (10) podem ser guardadas no compartimento de recolha na parte lateral da ferramenta.

- ◆ Abra a tampa (3) do compartimento de recolha de lâminas de serra, segurando a aba na parte superior da tampa (3) e puxando-a para fora.

- ◆ As lâminas estão fixas no compartimento por meio de uma faixa magnética. Para retirar uma lâmina, pressione para baixo uma das extremidades da lâmina para assim elevar a outra extremidade e retire-a.
- ◆ Feche a tampa (3) do compartimento de recolha da lâmina de serra e certifique-se de que está fechada.

**Advertência!** Feche a porta do compartimento com firmeza, antes de colocar a serra em funcionamento.

#### Ligar um aspirador à ferramenta (fig. D)

É necessário um adaptador para ligar um aspirador ou extractador de poeiras à ferramenta. Pode adquirir o adaptador de extracção de poeiras (6) no seu revendedor local Black & Decker.

- ◆ Empurre o adaptador (6) para a saída de extracção de poeiras (5).
- ◆ Ligue o tubo do aspirador ao adaptador (6).

### Utilização

#### Ajustar o arrasto para cortes em bisel (fig. E e F)

**Advertência!** Não utilize a ferramenta quando o arrasto estiver solto ou removido.

É possível definir o arrasto (7) para um ângulo do bisel esquerdo ou direito até um máximo de 45°.

- ◆ Puxe a alavanca de bloqueio do arrasto (4) para fora para desbloquear o arrasto (7) da posição de 0 graus (fig. F).
- ◆ Puxe o arrasto (7) para a frente e defina o bisel necessário de 15°, 30° e 45° indicado na janela do ângulo do bisel.
- ◆ Empurre a alavanca de bloqueio do arrasto (4) para trás, em direcção à serra para bloquear o arrasto (7).

Preparar o arrasto (7) para cortes direitos:

- ◆ Puxe a alavanca de bloqueio do arrasto (4) para fora para desbloquear o arrasto (7).
- ◆ Defina o arrasto (7) para um ângulo de 0° e empurre-o para trás.
- ◆ Empurre a alavanca de bloqueio do arrasto (4) para trás, em direcção à serra para bloquear o arrasto (7).

#### Ligar e desligar (fig. P)

- ◆ Para ligar a ferramenta, prima o interruptor para ligar/desligar de velocidade variável (2).
- ◆ Para desligar a ferramenta, solte o interruptor para ligar/desligar de velocidade variável (2).
- ◆ Para um funcionamento contínuo, pressione o botão de bloqueio (1) e solte o interruptor ligar/desligar (2).
- ◆ Para desligar a ferramenta em funcionamento contínuo, pressione o interruptor ligar/desligar (2) e solte-o.

## Serrar

Segure firmemente a ferramenta com ambas as mãos enquanto corta.

O arrasto (7) deve ser segurado com firmeza contra o material a ser cortado. Isto irá evitar que a serra salte, reduz a vibração e minimiza a quebra da lâmina.

- ◆ Deixe a lâmina a trabalhar livremente durante alguns segundos antes de começar a cortar.
- ◆ Exerça um ligeira pressão na ferramenta enquanto corta.

## Trabalhar com o laser (fig. G - I) (apenas unidades 'L')

### Colocar as pilhas (fig. G)

Solte o módulo laser (13) da serra eléctrica, removendo o parafuso (12) e puxando o módulo laser para a frente. Insira duas novas pilhas alcalinas AAA de 1,5 Volts, certificando-se de que coloca correctamente os terminais (+) e (-). Ligue novamente o módulo laser (13).

### Ajustar o laser paralelamente (fig. H)

**Nota:** O laser é um auxiliar de corte e não garante um corte preciso.

**Advertência!** Não ajuste o laser com a serra eléctrica ligada.

- ◆ Utilize o parafuso de regulação do laser (14) para alinhar a risca de laser com a lâmina de serra, caso seja necessário.

A visibilidade do laser (potência) será reduzida se se verificar um sobreaquecimento na serra eléctrica. O laser poderá não ser visível quando a serra estiver sobrecarregada durante um período de tempo prolongado. A visibilidade do laser regressará gradualmente ao normal quando a ferramenta arrefecer, mesmo quando estiver desligada.

**Advertência!** Não deixe o laser sobreaquecido LIGADO. Certifique-se de que o interruptor se encontra na posição OFF (desligado) e remova as pilhas para retirar potência ao laser.

## Utilizar o laser (fig. I e J)

O laser projecta a linha de corte (17) para a superfície da peça.

- ◆ Para ligar o laser, prima o botão (15).
- ◆ Para desligar o laser, prima novamente o botão (15).

A linha de corte (16) pode ser seguida facilmente se a visualizar directamente acima da serra eléctrica. Caso não consiga obter esta visualização por qualquer motivo, é possível utilizar o laser como guia de corte alternativo.

- ◆ Utilize um lápis para marcar a linha de corte (16).
- ◆ Posicione a serra eléctrica acima da linha (16).
- ◆ Ligue o laser.

## Utilizar a luz de trabalho (fig. K e L) (apenas unidades 'W')

As unidades com 'W' no número de catálogo possuem uma luz LED (18) para iluminar a área à volta da lâmina.

- ◆ Para ligar a luz de trabalho, faça deslizar o interruptor (19) para a posição de ligado (I).
- ◆ Para desligar a luz de trabalho, faça deslizar o interruptor (19) para a posição de desligado (0).

## Sugestões para uma utilização ideal

### Serrar laminados

Quando cortar laminados, poderão formar-se lascas que podem danificar a superfície de apresentação. As lâminas de serra mais comuns cortam em sentido ascendente; assim, se o arrasto estiver assente na superfície de apresentação, utilize uma lâmina de serra que corte em sentido descendente ou:

- ◆ Utilize uma lâmina de serra com dentes em bom estado.
- ◆ Serre a partir da superfície de fundo da peça.
- ◆ Para minimizar a ocorrência de lascas, coloque fragmentos de madeira ou painel duro em ambos os lados da peça e serre no meio deste painel compósito.

### Serrar metal

Tenha em atenção que a serração de metal demora muito mais tempo que a serração de madeira.

- ◆ Utilize uma lâmina de serra adequada para a serração de metal.
- ◆ Ao cortar folhas de metal finas, coloque fragmentos de madeira na superfície de fundo da peça e corte no meio deste painel compósito.
- ◆ Espalhe uma camada fina de óleo ao longo da linha de corte pretendida.

## Manutenção

A sua ferramenta Black & Decker foi concebida para funcionar por um longo período de tempo com uma manutenção mínima. Um funcionamento contínuo e satisfatório depende de uma manutenção adequada e da limpeza regular da ferramenta.

- ◆ Limpe regularmente as aberturas de ventilação da ferramenta com uma escova suave ou um pano seco.
- ◆ Limpe regularmente o compartimento do motor com um pano húmido. Não utilize nenhum produto de limpeza abrasivo ou à base de solvente. Nunca deixe nenhum líquido entrar na ferramenta e nunca submerja nenhuma parte da ferramenta em líquido.

## Protecção do ambiente



Recolha separada. Este produto não pode ser eliminado juntamente com os resíduos domésticos normais.

Se, em algum momento, for necessário substituir o aparelho ou se este deixar de ter utilidade, não elimine o produto num caixote do lixo. Este produto pode ser separado para reciclagem.



A recolha separada de produtos e embalagens usados permite que os materiais sejam reciclados e novamente utilizados. A reutilização de materiais reciclados ajuda a evitar a poluição ambiental e reduz a procura de matérias-primas.

A legislação local poderá prever a recolha separada de produtos domésticos eléctricos, seja em lixeiras municipais ou através do revendedor quando adquire um produto novo.

A Black & Decker dispõe de instalações para recolha e reciclagem de produtos Black & Decker quando estes atingem o fim da sua vida útil. Para usufruir deste serviço, devolva o produto em qualquer agente de reparação autorizado, que os recolherá em seu nome.

Pode verificar a localização do agente de reparação autorizado mais perto de si, contactando os escritórios locais da Black & Decker através do endereço indicado neste manual. Se preferir, pode encontrar na Internet uma lista de agentes de reparação autorizados Black & Decker, detalhes completos e contactos do serviço pós-venda, no endereço: [www.2helpU.com](http://www.2helpU.com).



Quando as pilhas chegarem ao fim da sua vida útil, elimine-as de forma segura para o ambiente. Retire as pilhas como indicado acima.

- ◆ Coloque as pilhas numa embalagem adequada, certificando-se de que os terminais não entram em curto-circuito.
- ◆ Leve as pilhas para uma estação de reciclagem local.

### Dados técnicos

Série KS800E	
Tensão	Vac 230
Entrada classificada	W 520
Sem velocidade de carga	min <sup>-1</sup> 0-3000
Profundidade máx. de corte	
Madeira	mm 70
Aço	mm 5
Alumínio	mm 15
Peso	kg 2,2

## Declaração de conformidade CE

Série KS800E

A Black & Decker declara que estes produtos estão em conformidade com:

98/37/EC, 2006/95/EEC, EN 60745, EN 55014, EN 61000, IEC 60825+A1+A2:2001

Nível de pressão acústica de acordo com EN 60745:

Pressão acústica ( $L_{pA}$ ) 89 dB(A), imprecisão (K) 3 dB(A)  
Potência acústica ( $L_{WA}$ ) 100 dB(A), imprecisão (K) 3 dB(A)

Valores totais de vibração (soma vectores triax) de acordo com EN 60745:

Cortar madeira ( $a_{h, CW}$ ) 6,0 m/s<sup>2</sup>, imprecisão (K) 1,5 m/s<sup>2</sup>  
Cortar folhas de metal ( $a_{h, CM}$ ) 6,5 m/s<sup>2</sup>, imprecisão (K) 1,5 m/s<sup>2</sup>

Kevin Hewitt

Director de Engenharia de Consumo  
Spennymoor, County Durham DL16 6JG,  
Reino Unido  
01-10-2007

## Garantia

A Black & Decker confia na qualidade dos seus produtos e oferece uma garantia excelente. Esta declaração de garantia é um complemento dos seus direitos estabelecidos por lei, não os prejudicando de forma alguma. A garantia é válida nos territórios dos Estados Membros da União Europeia e da Associação Europeia de Comércio Livre.

Se um produto Black & Decker se avariar devido a defeitos de material, fabrico ou não conformidade, num período de 24 meses após a data da compra, a Black & Decker garante a substituição de peças defeituosas, a reparação de produtos sujeitos a um desgaste aceitável ou a substituição dos mesmos para garantir o mínimo de inconveniente ao cliente, excepto se:

- ◆ o produto tiver sido utilizado para fins comerciais, profissionais ou de aluguer.
- ◆ o produto tiver sido submetido a utilização indevida ou descuido.
- ◆ o produto tiver sido danificado por objectos estranhos, substâncias ou acidentes.
- ◆ Tiverem sido tentadas reparações por pessoas que não sejam agentes de reparação autorizados ou técnicos de manutenção da Black & Decker.

Para accionar a garantia, terá de apresentar comprovativos de compra ao vendedor ou a um agente de reparação autorizado. Pode verificar a localização do agente de reparação autorizado mais perto de si, contactando os escritórios locais da Black & Decker através do endereço indicado neste manual. Se preferir, pode encontrar na Internet uma lista de agentes de reparação autorizados Black & Decker, detalhes completos e contactos do serviço pós-venda, no endereço:

**[www.2helpU.com](http://www.2helpU.com)**

Visite o nosso website **[www.blackanddecker.eu](http://www.blackanddecker.eu)** para registar o novo produto Black & Decker e manter-se actualizado sobre os novos produtos e ofertas especiais. Pode encontrar mais informações sobre a marca Black & Decker e sobre a nossa gama de produtos em **[www.blackanddecker.eu](http://www.blackanddecker.eu)**.

## Användningsområde

Din Black & Decker figursåg är avsedd för sågning av trä, plast och tunn plåt. Verktøget är endast avsett som konsumentverktøg.

## Säkerhetsinstruktioner

### Allmänna säkerhetsanvisningar för elverktøg



**Varning! Läs alla säkerhetsföreskrifter och alla anvisningar.** Om anvisningarna nedan inte följs kan det orsaka elektriska stötter, brand och/eller allvarliga kroppsskador.

### Spara alla säkerhetsföreskrifter och anvisningar för framtida bruk.

Nedan använt begrepp "Elverktøg" hänför sig till nätdrivna elverktøg (med nätsladd) och till batteridrivna elverktøg (sladdlösa).

1. **Säkerhet i arbetsområdet**
  - a. **Håll arbetsplatsen ren och välbelyst.** Oordning på arbetsplatsen och dåligt belyst arbetsområde kan leda till olyckor.
  - b. **Använd inte elverktøget i explosionsfarlig omgivning med brännbara vätskor, gaser eller damm.** Elverktøgen alstrar gnistor som kan antända dammet eller gaserna.
  - c. **Håll under arbetet med elverktøget barn och andra personer på betryggande avstånd.** Om du blir störd kan du förlora kontrollen över elverktøget.
2. **Elektrisk säkerhet**
  - a. **Elverktøgets stickkontakt måste passa till eluttaget. Stickkontakten får absolut inte ändras. Använd inte adapterkontakter tillsammans med jordade elverktøg.** Med oförändrade stickkontakter och passande vägguttag minskar risken för elstötter.
  - b. **Undvik kroppskontakt med jordade ytor som t.ex. rör, värmelement, spisar och kylskåp.** Risken för elektriska stötter ökar om din kropp är jordad.
  - c. **Skydda elverktøget mot regn och väta.** Om vatten tränger in i ett elverktøg ökar risken för elektriska stötter.
  - d. **Hantera inte nätsladden ovarsamt. Använd inte sladden för att bära eller dra elverktøget och inte heller för att dra ut verktøget ur vägguttaget. Håll nätsladden borta från värme, olja, skarpa kanter och rörliga maskindelar.** Risken att du får en elstöt är större om sladdarna är skadade eller tilltrasslade.
  - e. **Använd endast förlängningssladdar som är godkända för utomhusbruk när du arbetar med elverktøg utomhus.** Om du använder en förlängningssladd som är avsedd för utomhusbruk minskar risken för att du ska få en elstöt.
  - f. **Om du måste använda ett elverktøg på en fuktig plats ska du använda jordfelsbrytare.** Jordfelsbrytaren minskar risken för stötter/elchock.
3. **Personlig säkerhet**
  - a. **Var uppmärksam, se på vad du gör och använd elverktøget med förnuft. Använd inte elverktøget när du är trött eller om du är påverkad av droger, alkohol eller mediciner.** Under användning av elverktøg kan även en kort uppmärksamhet leda till allvarliga kroppsskador.
  - b. **Använd skyddsutrustning. Bär alltid skyddsglasögon.** Den personliga skyddsutrustningen, t.ex. dammfiltermask, halkfria säkerhetsskor, hjälm och hörselskydd, reducerar risken för kroppsskada när den används vid rätt tillfällen.
  - c. **Undvik oavsiktlig igångsättning. Kontrollera att strömbrytaren står i avstängt läge innan du ansluter verktøget till elnätet eller sätter i batteriet, samt innan du tar upp eller bär verktøget.** Det kan vara mycket farligt att bära ett elverktøg med fingret på strömbrytaren eller koppla det till nätet respektive sätta i batteriet med strömbrytaren i till-läge.
  - d. **Ta bort alla inställningsverktøg och skruvnycklar innan du startar elverktøget.** Ett verktøg eller en nyckel i en roterande komponent kan orsaka kroppsskada.
  - e. **Sträck dig inte för långt. Se till att du alltid har säker fotfäste och balans.** Därmed har du bättre kontroll över elverktøget i oväntade situationer.
  - f. **Bär lämpliga kläder. Bär inte löst hängande kläder eller smycken. Håll undan hår, kläder och handskar från rörliga delar.** Löst hängande kläder, smycken och långt hår kan fastna i roterande delar.
  - g. **Om elverktøget har dammsugnings- och uppsamlingsutrustning, kontrollera att anordningarna är rätt monterade och används på korrekt sätt.** Dessa anordningar reducerar riskerna förenade med damm.
4. **Bruk och skötsel av elverktøg**
  - a. **Överbelasta inte elverktøget. Använd rätt elverktøg för det aktuella arbetet.** Med rätt elverktøg kan du arbeta bättre och säkrare med det som verktøget är avsett för.
  - b. **Använd inte elverktøget om det inte går att starta och stänga av det med strömbrytaren.** Ett elverktøg som inte kan startas och stängas av med strömbrytaren är farligt och måste repareras.

- c. **Dra stickproppen ur vägguttaget och/eller ta ur batteriet ur elverktyget innan inställningar utförs, tillbehörskärl byts ut eller elverktyget ställs undan.** Denna skyddsåtgärd förhindrar oavsiktlig inkoppling av elverktyget.
- d. **Förvara elverktygen utom räckhåll för barn. Låt inte elverktyget användas av personer som inte är vana vid det, eller som inte läst denna bruksanvisning.** Elverktyg är farliga om de används av ovana personer.
- e. **Sköt elverktyget omsorgsfullt. Kontrollera att rörliga komponenter fungerar felfritt och inte kärvar, att komponenter inte brustit eller skadats och inget annat föreligger som kan påverka elverktygets funktioner. Om elverktyget är skadat, se till att få det reparerat innan det används.** Många olyckor orsakas av dåligt skötta elverktyg.
- f. **Håll skärverktyg vassa och rena.** Omsorgsfullt skötta skärverktyg med skarpa eggar fastnar inte så lätt och är lättare att hantera.
- g. **Använd elverktyget, tillbehör, insatsverktyg osv. enligt dessa anvisningar och på sätt som föreskrivits för aktuell verktygsmodell. Ta hänsyn till arbetsvillkoren och arbetsmomenten.** Används elverktyget på icke ändamålsenligt sätt kan farliga situationer uppstå.
5. **Service**
- a. **Låt elverktyget repareras endast av utbildade reparatörer och med originalreservdelar.** Detta garanterar att elverktyget förblir säkert.

#### Ytterligare säkerhetsanvisningar för elverktyg



**Varning!** Extra säkerhetsföreskrifter för figursågar.

- ◆ **Håll verktyget i de isolerade greppytorna vid arbete där sågen riskerar att komma i kontakt med dolda elledningar eller med sin egen nätsladd.** Om du sågar igenom en strömförande ledning kommer verktygets metalldelar också att bli strömförande och du får en elektrisk stöt.
  - ◆ **Fäst arbetsstycket vid ett stabilt underlag med klämmor eller på något annat lämpligt sätt.** Om du håller i arbetsstycket med handen eller trycker det mot kroppen blir det instabilt, och du kan förlora kontrollen.
  - ◆ **Håll händerna borta från sågningsområdet.** Sträck aldrig in händerna under arbetsstycket. Undvik att ha fingrarna i närheten av det pendlande sågbladet och bladklämman. Försök inte stabilisera sågen genom att hålla i sågskon.
  - ◆ **Håll sågbladen välslipade.** Om sågbladen är slöa eller skadade kan sågen komma i svängning eller stanna helt när den belastas. Använd alltid en typ av sågblad som är lämplig för det material du ska såga i och för hur du ska såga.
  - ◆ **Vid sågning i rör och andra ledningar ska du se till att de inte innehåller vatten, elledningar etc.**
  - ◆ **Vidrör inte arbetsstycket eller sågbladet direkt efter sågning.** De kan bli mycket varma.
  - ◆ **Var uppmärksam på dolda faror innan du sågar i väggar, golv eller tak; kontrollera om det förekommer rör eller elledningar.**
  - ◆ **Sågbladet fortsätter att röra sig en kort stund efter att du har släppt strömbrytaren.** Stäng alltid av verktyget och vänta tills sågbladet har stannat helt innan du lägger ifrån dig det.
- Varning!** Sågning ger upphov till damm som kan skada den som använder verktyget och andra i närheten vid kontakt eller inandning. Använd en specialkonstruerad ansiktsmask som skyddar mot damm och ångor, samt se till att personer som vistas på eller i närheten av arbetsområdet också är skyddade.
- ◆ Var noga med att ta bort allt slipdamm när slipningen har avslutats.
  - ◆ Var speciellt försiktig när du slipar bort färg som eventuellt innehåller bly eller vid slipning av trä- och metallmaterial som kan avge giftigt slipdamm.
    - Låt aldrig barn eller gravida kvinnor vistas på arbetsplatsen.
    - Ät, drick och rök inte på arbetsplatsen.
    - Släng damm och annat avfall på miljösäker plats.
  - ◆ Verktyget ska inte användas av personer (inklusive barn) med nedsatt fysisk eller mental förmåga eller bristande erfarenhet och kunskap, om de inte får vägledning och övervakas av en person som ansvarar för deras säkerhet. Barn ska hållas under uppsikt så att de inte leker med verktyget.
  - ◆ Användningsområdet beskrivs i den här bruksanvisningen. Om andra tillbehör eller tillsatser används, eller om någon annan åtgärd än de som rekommenderas i den här bruksanvisningen utförs med verktyget kan personer och/eller egendom ta skada.

#### Vibrationer

De uppgivna vibrationsvärdena som anges under tekniska data och i överensstämmelseförklaringen har uppmätts i enlighet med en standardtestmetod föreskriven i EN 60745 och kan användas för jämförelse med andra verktyg. Det uppgivna vibrationsvärdet kan även användas för en preliminär bedömning av exponering.

**Varning!** Vibrationsvärdet under faktisk användning av elverktyget kan skilja sig från det uppgivna värdet beroende

på hur verktyget används. Vibrationsnivån kan överstiga den uppgivna nivån.

Vid uppskattningar av exponering för vibrationer i syfte att bedöma vilka säkerhetsåtgärder som är nödvändiga enligt 2002/44/EC för att skydda personer som regelbundet använder elverktyg i arbetet ska man utgå från de faktiska omständigheter under vilka elverktyget används och sättet på vilket det används. Bedömningen ska även ta hänsyn till alla moment i arbetscykeln, t.ex. när verktyget är avstängt och när det går på tomgång såväl som när det faktiskt används.

### Etiketter på verktyg



**Varning!** Läs bruksanvisningen innan du använder sågen för att minska risken för olyckor.

### Elektrisk säkerhet



Eftersom verktyget är dubbelisolerat behövs ingen jordledare. Kontrollera alltid att nätspänningen överensstämmer med värdet på typskylten.

- Ungdomar eller personer med svag hälsa ska inte använda verktyget utan tillsyn. Håll uppsyn över barn så att de inte leker med apparaten.
- Om nätsladden är skadad måste den för undvikande av fara bytas ut av tillverkaren eller en auktoriserad Black & Decker-verkstad.

### Ytterligare säkerhetsanvisningar för icke uppladdningsbara batterier

- Försök aldrig att öppna batterierna.
- Förvara inte på platser där temperaturen kan bli högre än 40 °C.
- Följ instruktionerna som anges i avsnittet "Miljö" när du kastar batterierna.

Bränn inte batterierna.

- Under extrema förhållanden kan batterierna läcka. Gör följande om det finns vätska på batterierna:
  - Torka försiktigt bort vätskan med en trasa. Undvik hudkontakt.

### Ytterligare säkerhetsföreskrifter för lasrar



Läs noga igenom hela denna handbok.



Denna produkt får inte användas av barn under 16 år.



Laserstrålning.



Titta inte rakt in i laserstrålen.



Använd inte optiska verktyg för att titta på laserstrålen.

- Denna laser uppfyller kraven för klass 2 enligt IEC 60825+A1+A2:2001. Byt aldrig ut en laserdiod mot någon annan typ. Om lasern skadas måste den åtgärdas av en behörig reparatör.
- Använd inte lasern för något annat syfte än att projicera en laserlinje.
- Strålen från en klass 2-laser kan vara farlig för ögat vid mer än 0,25 sekunders ögonkontakt. Normalt ger blinkreflexen tillräckligt skydd för ögat. Vid mer än en meters avstånd uppfyller lasern kraven för klass 1 och anses därmed helt ofarlig.
- Titta aldrig rakt in i laserstrålen.
- Använd inte optiska verktyg för att titta på laserstrålen.
- Använd aldrig verktyget på ett sådant sätt att laserstrålen kan träffa någon i ögonhöjd.
- Håll barn utom räckhåll för lasern.

### Funktioner

- Låsknapp
- Strömbrytare med variabel hastighet
- Lucka till förvaringsfack för sågblad
- Låsspak för sågrot
- Dammuppsugningshål
- Adapter för dammsugning
- Täckplåt
- Stödrulle för sågblad
- Verktysfri bladklämma

### Ytterligare funktioner (fig. A)

Ytterligare funktioner kan vara tillgängliga beroende på modell. I fig. A visas de funktioner som är tillgängliga för varje modell.

## Montering

**Varning!** Innan du gör något av nedanstående ska du kontrollera att verktyget är avstängt, att sågbladet är orörligt och att sladden inte sitter i. Ett sågblad som nyligen har använts kan vara hett.

### Montera sågbladet (fig. B)

- ◆ Håll sågbladet (10) som bilden visar med tänderna framåt.
- ◆ Tryck ned bladklämman (9) och håll den nedtryckt.
- ◆ Tryck in sågbladets skaft så långt som möjligt i bladhållaren (11).
- ◆ Släpp bladklämman (9).

### Förvaring av sågbladet (fig. C)

Sågbladen (10) kan förvaras i förvaringsfacket på sidan av verktyget.

- ◆ Öppna luckan (3) till förvaringsfacket genom att dra fiiken på luckans (3) ovasida utåt.
- ◆ Sågbladen hålls på plats i förvaringsfacket med hjälp av en magnetremsa. För att ta ut ett sågblad, höj bladets ena ände genom att trycka på den andra och avlägsna sågbladet.
- ◆ Stäng luckan (3) till förvaringsfacket och se till att den snäpper fast ordentligt.

**Varning!** Stäng förvaringsfackets lucka ordentligt innan du använder sågen.

### Ansluta en dammsugare till verktyget (fig. D)

För att ansluta en dammsugare till verktyget krävs en adapter. Dammsugaradaptern (6) finns att köpa hos din Black & Decker- återförsäljare.

- ◆ Tryck in adaptern (6) i dammuppsugningshålet (5).
- ◆ Anslut dammsugarlangen till adaptern (6).

## Användning

### Justera sågfoten för vinkelskäring (fig. E och F)

**Varning!** Använd aldrig verktyget om skyddsplåten är lös eller borttagen.

Sågfoten (7) kan vinklas upp till 45° åt vänster eller höger.

- ◆ Dra sågfotens låsspak (4) utåt för att frigöra sågfoten (7) från nollgradersläget (fig. F).
- ◆ Dra sågfoten (7) framåt och ställ in önskat läge 15°, 30° och 45° i fönstret för vinkelläge.
- ◆ Tryck tillbaka sågfotens låsspak (4) mot sågen för att låsa sågfoten (7).

Så här återställer du sågfoten (7) för rak sågning:

- ◆ Dra ut sågfotens låsspak (4) för att frigöra sågfoten (7).
- ◆ Ställ in sågfoten (7) på 0° och skjut den bakåt.
- ◆ Tryck tillbaka sågfotens låsspak (4) mot sågen för att låsa sågfoten (7).

### Slå på och av

- ◆ Slå på verktyget genom att trycka in strömbrytaren för variabel hastighet (2).
- ◆ Slå av verktyget genom att släppa strömbrytaren för variabel hastighet (2).
- ◆ Tryck in låsknappen (2) och släpp strömbrytaren (1) om du vill ha kontinuerlig drift.
- ◆ När verktyget är i kontinuerlig drift stänger du av det genom att trycka in och släppa strömbrytaren (2).

### Sågning

Håll sågen stadigt med båda händerna när du sågar.

Sågfoten (7) ska tryckas ordentligt mot materialet som sågas. Detta motverkar att sågen hoppar, minskar vibrationerna och minskar risken att sågbladet går av.

- ◆ Låt sågbladet gå i några sekunder innan du börjar såga.
- ◆ För bara verktyget försiktigt framåt medan du klipper.

### Använda lasern (fig. G–I) (endast "L"-enheter)

#### Sätta in batterierna (fig. G)

Lossa lasermodulen (13) från figursågen genom att ta bort skruven (12) och dra lasermodulen framåt. Sätt i två nya alkaliska 1,5-volts AAA-batterier och var noga med att placera plus- och minuspolerna korrekt. Sätt tillbaka lasermodulen (13).

#### Justera lasern i sidled (fig. H)

**Obs!** Lasern är ett hjälpmedel men garanterar inte exakt skärning.

**Varning!** Dra ur sladden till sågen innan du justerar lasern.

- ◆ Med hjälp av laserjusteringsskruven (14) kan du rikta in laserlinjen mot sågbladet om det behövs.

Om sågen överhettas får lasern mindre kraft och syns sämre. Lasern kan helt sluta synas om verktyget

överbelastas en längre tid. Lasern återgår gradvis till normal synlighet när verktyget svalnar, även om sladden inte sitter i.

**Varning!** Lämna inte en överhettad laser påslagen (läge ON). Se till att strömbrytaren är i läge OFF och ta ut batterierna till lasern.

#### Använda lasern (fig. I och J)

Lasern projicerar såglinjen (17) på arbetsmaterialets yta.

- ◆ Sätt på lasern genom att trycka på knappen (15).
- ◆ Stäng av lasern genom att trycka på knappen (15) igen.

Det är enkelt att följa laserlinjen (16) om du håller huvudet rakt ovanför sågen. Om det inte går kan du använda lasern för alternativ sågstyrning.

- ◆ Märk ut såglinjen (16) med en blyertspenna.
- ◆ Placera sågen över linjen (16).
- ◆ Sätt på lasern.



### Använda arbetsbelysningen (fig. K och L) (endast "W"-enheter)

Enheter med "W" i modellnumret har en diodlampa (18) som lyser upp området runt sågbladet.

- ◆ Tänd arbetsbelysningen genom att ställa strömbrytaren (19) i läge (I).
- ◆ Släck arbetsbelysningen genom att ställa strömbrytaren (19) i läge (0).

### Råd för bästa resultat

#### Såga i laminat

Vid sågning i laminat kan arbetsstycket flisa sig, vilket kan skada snittytan. De vanligaste sågbladen sågar i den uppåtgående rörelsen, så om sågboten vilar mot arbetsstycket bör du använda ett sågblad som sågar i den nedåtgående rörelsen eller göra enligt följande:

- ◆ Använd ett fintandat sågblad.
- ◆ Vänd arbetsmaterialets undersida uppåt när du sågar.
- ◆ Minska risken för flisor genom att tvinga fast en överbliven träbit eller hård träfiberskiva på båda sidor på arbetsmaterialet och såga genom alltihop som en dubbelsmörgås.

#### Såga i metall

Tänk på att det tar mycket längre tid att såga i metall än i trä.

- ◆ Välj ett sågblad som lämpar sig för metallsågning.
- ◆ Vid sågning av tunn metallplåt tvingar du fast en överbliven träbit på arbetsmaterialets undersida och sågar genom båda lagren som en smörgås.
- ◆ Smörj såglinjen med olja innan du sågar.

### Underhåll

Detta Black & Decker-verktyg har tillverkats för att fungera under lång tid med ett minimum av underhåll. Med rätt underhåll och regelbunden rengöring behåller verktyget sin prestanda.

- ◆ Rengör regelbundet apparatens luftintag med en mjuk borste eller torr trasa.
- ◆ Rengör kåpan regelbundet med en fuktig trasa. Använd aldrig rengöringsmedel med lösnings- eller slipmedel. Låt aldrig någon vätska komma in i sågen och doppa den aldrig i någon vätska.

### Miljö



Separat insamling. Produkten får inte kastas i hushållssoporna.

Tänk på miljön när du slänger denna Black & Decker-produkt. Släng den inte tillsammans med hushållsavfallet. Lämna produkten för separat insamling.



Insamling av uttjänta produkter och förpackningsmaterial gör att material kan återanvändas. Användning av återvunnet material minskar föroreningar av miljön och behovet av råmaterial.

Lokala föreskrifter kan kräva separat insamling av elprodukter från hushållen, vid kommunala insamlingsplatser eller hos återförsäljaren när du köper en ny produkt.

Black & Decker samlar in och återvinner uttjänta Black & Decker-produkter. Om du vill utnyttja denna tjänst återlämnar du produkten till en auktoriserad verkstad, som samlar in den för vår räkning.

För information om närmaste auktoriserade verkstad, kontakta det lokala Black & Decker-kontoret på den adress som är angiven i bruksanvisningen. En lista över alla auktoriserade verkstäder samt servicevillkor finns även tillgänglig på Internet: [www.2helpU.com](http://www.2helpU.com).



Kassera batterierna på ett miljövänligt sätt när de är förbrukade. Ta bort batterierna enligt beskrivningen ovan.

- ◆ Packa in batterierna så att polerna inte kan kortslutas.
- ◆ Ta med batterierna till en återvinningsstation.

### Tekniska data

	KS800E-serien
Spänning	VAC 230
Märkeffekt	W 520
Tomgångshastighet	min <sup>-1</sup> 0-3000
Maximalt sågdjup	
Trä	mm 70
Stål	mm 5
Aluminium	mm 15
Vikt	kg 2,2

## Förklaring om överensstämmelse med

### EU-regler

KS800E-serien

Black & Decker förklarar att dessa produkter

överensstämmer med:

98/37/EC, 2006/95/EEC, EN 60745, EN 55014, EN61000,

IEC 60825+A1+A2:2001

Ljudnivå enligt EN 60745:

Ljudnivå ( $L_{pA}$ ) 89 dB(A), osäkerhet (K) 3 dB(A)

Akustisk effekt ( $L_{WA}$ ) 100 dB(A), osäkerhet (K) 3 dB(A)

Totala vibrationsvärden (vektorsumman av tre axlar)

fastställd enligt EN 60745:

Träsågning ( $a_{h, CW}$ ) 6,0 m/s<sup>2</sup>, osäkerhet (K) 1,5 m/s<sup>2</sup>

Plåtsågning ( $a_{h, CM}$ ) 6,5 m/s<sup>2</sup>,

osäkerhet (K) 1,5 m/s<sup>2</sup>



Kevin Hewitt

Director of Consumer Engineering

Spennymoor, County Durham DL16 6JG,

Storbritannien

2007-10-01

## Garanti

Black & Decker garanterar att produkten är fri från material- och/eller fabriktionsfel vid leverans till kund. Garantin gäller utöver konsumentens rättigheter enligt lag och påverkar inte dessa. Garantin gäller inom medlemsstaterna i Europeiska Unionen och i det Europeiska Frihandelsområdet.

Om en Black & Decker-produkt går sönder på grund av material- och/eller fabriktionsfel eller brister i överensstämmelse med specifikationen, inom 24 månader från köpet, åtar sig Black & Decker att reparera eller byta ut produkten med minsta besvär för kunden, förutom om:

- ◆ Produkten har använts i kommersiellt, yrkesmässigt eller uthyringssyfte.
- ◆ Produkten har utsatts för felaktig användning eller skötsel.
- ◆ Produkten har skadats av främmande föremål, ämnen eller genom olyckshändelse.
- ◆ Reparation har utförts av någon annan än en auktoriserad Black & Decker-verkstad.

För att utnyttja garantin skall produkten och inköpskvittot lämnas till återförsäljaren eller till en auktoriserad verkstad senast 2 månader efter det att felet har upptäckts. För information om närmaste auktoriserad verkstad, kontakta det lokala Black & Decker-kontoret på den adress som är angiven i bruksanvisningen. En lista på alla auktoriserade verkstäder samt servicevillkor finns även tillgängliga på Internet:

[www.2helpU.com](http://www.2helpU.com)

Besök vår webbplats [www.blackanddecker.se](http://www.blackanddecker.se) för att registrera din nya Black & Decker-produkt samt för att erhålla information om nya produkter och specialerbjudanden. Vidare information om märket Black & Decker och vårt produktsortiment återfinns på [www.blackanddecker.se](http://www.blackanddecker.se).

## Bruksområde

Stikksagen fra Black & Decker er konstruert for saging av treverk, plast og metall. Verktøyet er kun beregnet på bruk i hjemmet.

## Sikkerhetsinstrukser

### Generelle sikkerhetsadvarsler for elektroverktøy



**Advarsel! Les alle sikkerhetsadvarsler og alle instruksjoner.** Hvis ikke alle instruksjonene blir fulgt, kan det medføre elektrisk støt, brann og/eller alvorlige skader.

### Ta vare på alle advarsler og instruksjoner for fremtidig bruk.

Uttrykket "elektroverktøy" i alle advarslene nedenfor gjelder for strømdrevne elektroverktøy (med ledning) og batteridrevne elektroverktøy (uten ledning).

#### 1. Sikkerhet i arbeidsområdet

- Hold arbeidsområdet rent og godt opplyst.** Rotete arbeidsområder og arbeidsområder uten lys kan føre til ulykker.
- Ikke arbeid med elektroverktøy i eksplosjonsfarlige omgivelser – der det finnes seg brennbare væsker, gass eller støv.** Elektroverktøy forårsaker gnister som kan antenne støv eller damper.
- Hold barn og andre personer unna når elektroverktøyet brukes.** Hvis du blir forstyrret under arbeidet, kan du miste kontrollen.

#### 2. Elektrisk sikkerhet

- Støpselet til elektroverktøyet må passe inn i stikkkontakten. Støpselet må ikke forandres på noen som helst måte. Ikke bruk adapterstøpsler sammen med jodede elektroverktøy.** Bruk av originale støpsler og passende stikkontakter reduserer risikoen for elektrisk støt.
- Unngå kroppskontakt med jodede overflater som rør, radiatorer, komfyrer og kjøleskap.** Det er større fare for elektrisk støt dersom kroppen din er jodet.
- Hold elektroverktøy unna regn eller fuktighet.** Dersom det kommer vann i et elektroverktøy, øker faren for elektrisk støt.
- Unngå uforvarlig behandling av ledningen.** Elektroverktøyet må aldri bæres eller trekkes etter ledningen, og trekk heller ikke ut støpselet ved å rykke i ledningen. Hold ledningen unna varme, olje, skarpe kanter eller bevegelige deler. Med skadde eller sammenflokede ledninger øker risikoen for elektrisk støt.

- Når du arbeider utendørs med et elektroverktøy, må du kun bruke en skjøteledning som er godkjent til utendørs bruk.** Når du bruker en skjøteledning som er egnet for utendørs bruk, reduseres risikoen for elektrisk støt.
- Hvis du ikke kan unngå å bruke et elektroverktøy på et fuktig sted, bruker du strømforsyning som er beskyttet med jordfeilbryter.** Bruk av jordfeilbryter reduserer risikoen for elektrisk støt.

#### 3. Personssikkerhet

- Vær oppmerksom, pass på hva du gjør, og vis fornuft når du arbeider med et elektroverktøy. Ikke bruk elektroverktøy når du er trett eller er påvirket av narkotika, alkohol eller medikamenter.** Et øyeblikks uoppmerksomhet under bruk av verktøyet kan føre til alvorlige personskader.
  - Bruk personlig verneutstyr. Bruk alltid vernebriller.** Bruk av personlig verneutstyr, for eksempel støvmaske, skliskure verneok, hjelm eller hørselsvern som passer til forholdene, reduserer risikoen for personskader.
  - Forhindre utilsikket start av elektroverktøyet. Kontroller at bryteren står i posisjon "av" før du kobler til strømkilden og/eller batteripakken, og før du tar opp eller bærer verktøyet.** Det kan føre til ulykker hvis du bærer elektroverktøyet med fingeren på bryteren, eller kobler til verktøyet når bryteren ikke står i posisjon "av".
  - Fjern innstillingsverktøy eller skrunøkler før du slår på elektroverktøyet.** Et verktøy eller en nøkkel som befinner seg i en roterende del, kan forårsake personskade.
  - Ikke strekk deg for langt. Pass på at du alltid har sikkert fotfeste og god balanse.** Da kan du kontrollere elektroverktøyet bedre i uventede situasjoner.
  - Bruk alltid egnede klær. Ikke bruk løstsittende klær eller smykker. Hold hår, klær og hansker unna bevegelige deler.** Løstsittende klær, smykker eller langt hår kan komme inn i bevegelige deler.
  - Hvis det kan monteres støvavsug- og oppsamlingsinnretninger, må du forvise deg om at disse er tilkoblet og brukes på riktig måte.** Bruk av disse innretningene reduserer faren for forbindelse med støv.
- #### 4. Aktsom håndtering og bruk av elektroverktøy
- Ikke bruk makt på elektroverktøyet. Bruk et elektroverktøy som er beregnet på den type arbeid du vil utføre.** Med et passende elektroverktøy arbeider du bedre og sikrere i det angitte effektområdet.

- b. **Ikke bruk elektroverktøy med defekt strømbryter.** Et elektroverktøy som ikke kan kontrolleres med bryteren, er farlig og må repareres.
- c. **Trekk støpelet ut av stikkkontakten og/eller koble fra batteripakken på elektroverktøyet før du utfører innstillinger, skifter tilbehørsdeler eller legger elektroverktøyet bort.** Disse forebyggende sikkerhetstiltakene reduserer risikoen for utilsiktet start av elektroverktøyet.
- d. **Elektroverktøy som ikke er i bruk, må oppbevares utilgjengelig for barn. Ikke la verktøyet brukes av personer som ikke er fortrolig med det, eller som ikke har lest denne bruksanvisningen.** Elektroverktøy er farlige når de brukes av uerfarne personer.
- e. **Vær nøye med vedlikehold av elektroverktøy. Kontroller at bevegelige deler fungerer feilfritt og ikke klemmes fast, om deler er brukket eller skadet, og andre forhold som kan innvirke på elektroverktøyet funksjon. Hvis elektroverktøyet er skadet, må det repareres før bruk.** Dårlig vedlikeholdte elektroverktøy er årsaken til mange uhell.
- f. **Hold skjæreverktøy skarpe og rene.** Godt vedlikeholdte skjæreverktøy med skarpe egger setter seg ikke så ofte fast og er lettere å føre.
- g. **Bruk elektroverktøy, tilbehør, bits osv. i henhold til disse instruksjonene. Ta hensyn til arbeidsforholdene og arbeidet som skal utføres.** Bruk av elektroverktøy til andre formål enn det som er angitt, kan føre til farlige situasjoner.
5. **Service**
- a. **Elektroverktøy skal alltid repareres av kvalifisert personell og kun med originale reservedeler.** Dette sikrer at elektroverktøyet sikkerhet opprettholdes.

#### Ytterligere sikkerhetsadvarsler for elektroverktøy



**Advarsel!** Ekstra sikkerhetsinstruksjoner for stikksager

- ◆ **Hold i de isolerte grepene på verktøyet når du utfører et arbeid hvor skjæreverktøyet kan komme i kontakt med skjulte ledninger eller sin egen kabel.** Kontakt med en strømførende ledning vil føre til at frittliggende metalldele på verktøyet blir strømførende, og brukeren kan få støt.
  - ◆ **Bruk klemmer eller andre praktiske metoder for å spenne fast og støtte arbeidsstykket på en stabil plattform.** Holdes arbeidsstykket med hånden eller inn mot kroppen, vil det være ustabil, og dette kan lett føre til at du mister kontrollen.
  - ◆ **Hold hendene borte fra skjærområdet.** Du må aldri gripe under arbeidsstykket av noen som helst årsak. Ikke før fingre eller tommel inn i nærheten av det frem- og tilbakegående sagbladet og sagbladfestet. Ikke stabiliser sagen ved å ta tak i foten.
  - ◆ **Hold sagbladene skarpe.** Sløve eller skadde sagblader kan få sagen til å bøye av eller stanse under press. Bruk alltid sagblader som egner seg for arbeidsstykkets materiale og den type saging det er snakk om.
  - ◆ **Når du sager rør eller kanaler, må du kontrollere at de er fri for vann, elektriske ledninger etc.**
  - ◆ **Ikke berør arbeidsstykket eller sagbladet straks etter at du har brukt verktøyet.** De kan bli svært varme.
  - ◆ **Vær oppmerksom på skjulte farer før du sager i vegger, gulv eller tak. Lokaliser eventuelle kabler og rør.**
  - ◆ **Sagbladet vil fortsatt være i bevegelse etter at bryteren slippes løs.** Slå alltid verktøyet av, og vent til sagbladet stanser helt, før du setter verktøyet ned.
- Advarsel!** Kontakt med eller inhalering av støv som oppstår ved skjæring, kan være helseskadelig for operatøren og eventuelle tilskuere. Bruk en spesialmaske som verner mot støv og damp, og pass på at andre som oppholder seg eller kommer inn i området der du arbeider, også beskytter seg.
- ◆ Fjern alt støv grundig etter sliping.
  - ◆ Vær ekstra forsiktig når du pusser maling som kan inneholde bly, eller metall som kan avgi giftig støv:
    - Ikke la barn eller gravide komme inn der du arbeider.
    - Ikke spis, drikk eller røyk der du arbeider.
    - Kvitt deg med støvpartikler eller annet avfall på en miljøvennlig måte.
  - ◆ Det er ikke meningen at dette verktøyet skal brukes av personer (inkludert barn) med reduserte fysiske, sansemessige eller mentale evner, eller som mangler erfaring og kunnskap, med mindre de har fått oppfølging eller instruksjon når det gjelder bruken av apparatet, fra en person som er ansvarlig for deres sikkerhet. Barn skal være under oppsyn så det sikres at de ikke leker med apparatet.
  - ◆ Tiltent bruk er beskrevet i denne håndboken. Bruk av tilbehør eller utføring av oppgaver som ikke er anbefalt for verktøyet i denne håndboken, kan medføre fare for personskade og/eller skade på eiendom.

## Vibrasjon

Vibrasjonsemisjonsverdien som er angitt under tekniske data og samsvarserklæring, er blitt målt i henhold til en standard testmetode som er angitt i EN 60745, og kan brukes til å sammenligne et verktøy med et annet. Den oppgitte vibrasjonsemisjonsverdien kan også brukes til en foreløpig vurdering av eksponering.

**Advarsel!** Vibrasjonsemisjonsverdien under faktisk bruk av elektroverktøyet kan avvike fra den oppgitte verdien avhengig av måten verktøyet blir brukt på. Vibrasjonsnivået kan øke over nivået som er oppgitt.

Når man vurderer vibrasjonseksponering for å bestemme sikkerhetstiltak som kreves i 2002/44/EF for å beskytte personer som bruker elektroverktøy regelmessig i arbeidet, skal man når man anslår vibrasjonseksponeringen, ta hensyn til de faktiske bruksforholdene og måten verktøyet blir brukt på, inkludert hensyn til alle deler av brukssyklusen – også de gangene verktøyet slås av og når det går på tomgang, i tillegg til tiden utløseren er inne.

## Merking på verktøyet



**Advarsel!** Brukeren må lese håndboken for å redusere risikoen for skade.

## Elektrisk sikkerhet



Dette apparatet er dobbeltisolert. Jording er derfor ikke nødvendig. Kontroller at spenningen er i overensstemmelse med spenningen på typeskiltet.

- ◆ Dette apparatet er ikke beregnet for bruk av unge eller uerfarne personer uten tilsyn. Barn må ha tilsyn for å sikre at de ikke leker med apparatet.
- ◆ Hvis strømledningen blir skadet, må den skiftes av produsenten eller et autorisert Black & Decker-servicenter for å unngå fare.

## Ytterligere sikkerhetsinstruksjoner for ikke oppladbare batterier.

- ◆ Forsøk ikke å åpne uansett hvilket formål du måtte ha.
- ◆ Oppbevar ikke på steder der temperaturen kan overskride 40 °C.
- ◆ Følg instruksene som finnes i avsnittet "Miljø" når du skal kaste batterier.

Ikke brenn batteriene.

- ◆ Under ekstreme forhold kan batterilekkasje forekomme. Hvis du oppdager væske på batteriene, gjør du følgende:
  - Tørk omhyggelig væsken av med en tøylut. Unngå kontakt med huden.

## Ekstra sikkerhetsinstruksjoner for laserstråler



Les hele denne bruksanvisningen grundig.



Produktet skal ikke benyttes av barn under 16 år.



Laserstråling.



Ikke se direkte inn i laserstrålen.



Se ikke på laserstrålen gjennom optiske verktøy.

- ◆ Denne laseren er en klasse 2-laser i henhold til IEC 60825+A1+A2:2001. Laserdioder må ikke erstattes med andre typer. Hvis laseren blir skadet, må den repareres av en autorisert reparatør.
- ◆ Laseren skal ikke brukes til annet enn å sende laserlinjer.
- ◆ Det er ikke trygt å eksponere øyet for en klasse 2 laserstråle i mer enn 0,25 sekunder. Øyelokkrefleksene vil vanligvis gi tilstrekkelig beskyttelse. Ved avstander over 1 m anses laseren som en klasse 1-laser og er derfor fullstendig trygg.
- ◆ Se aldri direkte inn i laserstrålen med hensikt.
- ◆ Se ikke på laserstrålen gjennom optiske verktøy.
- ◆ Plasser ikke verktøyet slik at laserstrålen kan krysse mennesker ved hodehøyde.
- ◆ La ikke barn komme når laseren.

## Funksjoner

1. Låseknapp
2. På/av-bryter for variabel hastighet
3. Deksel for bladoppbevaringsrom
4. Låsespak for fotplate
5. Støvtuttak
6. Støvtuttaksadapter
7. Fotplate
8. Styrrulle for blad
9. Verktøyfritt bladfeste

## Øvrige funksjoner (figur A)

Det kan være tilgjengelig andre funksjoner avhengig av produktet du har kjøpt. De øvrige funksjonene som er tilgjengelige for kjøpte produkter med ulike katalognummer er vist i figur A.

## Montering

**Advarsel!** Før du utfører noen av fremgangsmåtene nedenfor, må du sikre for at verktøyet er slått av, kontakten plugges ut og sagbladet har stoppet. Brukte sagblad kan være varme.

### Montere sagbladet (figur B)

- ◆ Hold sagbladet (10) som vist, med taggene vendt fremover.
- ◆ Trykk og hold bladfestet (9) nede.
- ◆ Sett festetappen til sagbladet så langt inn i bladholderen (11) som den går.
- ◆ Slipp bladfestet (9).

### Oppbevaring av sagbladet (figur C)

Sagblader (10) kan oppbevares i oppbevaringsrommet på siden av verktøyet.

- ◆ Åpne dekselet (3) til oppbevaringsrommet for sagblad ved å holde i klaffen i toppen av dekselet (3) og trekke det utover.
- ◆ Bladene holdes på plass i rommet av en magnetisk list. Når du skal ta ut et blad, trykker du ned den ene siden av bladet for å løfte den andre siden og tar det ut.
- ◆ Lukk dekselet (3) til oppbevaringsrommet for sagblader, og kontroller at det er låst.

**Advarsel!** Lukk dekselet til rommet godt før du åpner sagen.

### Koble en støvsuger til verktøyet (figur D)

Du trenger en adapter for å koble en støvsuger eller et støvavtrekk til verktøyet. Du kan kjøpe støvavtrekksadapteren (6) hos din lokale Black & Decker-forhandler.

- ◆ Skyv adapteren (6) inn støvuttaket (5).
- ◆ Koble støvsugerslangen til adapteren (6).

## Bruk

### Justere fotplaten for skråkutting (figur E og F)

**Advarsel!** Bruk aldri verktøyet mens fotplaten er løs eller fjernet.

Fotplaten (7) kan skråstilles opptil 45° både til høyre og venstre.

- ◆ Trekk låsespaken (4) for fotplaten utover for å låse opp fotplaten (7) fra posisjonen 0 grader (figur F).
- ◆ Trekk fotplaten (7) fremover, og still inn ønsket vinkel 15°, 30° og 45° indikert i skjærevinkelvinduet nedenfor.
- ◆ Skyv låsespaken for fotplaten (4) bakover mot sagen for å låse fotplaten (7).

Slik stiller du fotplaten (7) tilbake for vinkelrette kutt:

- ◆ Trekk låsespaken for fotplaten (4) utover for å låse opp fotplaten (7).

- ◆ Still inn fotplaten (7) med vinkelen 0°, og skyv fotplaten bakover.
- ◆ Skyv låsespaken for fotplaten (4) bakover mot sagen for å låse fotplaten (7).

### Start og stopp

- ◆ Når du skal slå verktøyet på, trykker du på på/av-bryteren for variabel hastighet (2).
- ◆ Når du skal slå verktøyet av, slipper du på/av-bryteren for variabel hastighet (2).
- ◆ Hvis du ønsker å holde verktøyet i kontinuerlig drift, trykker du inn låseknappen (1) og slipper av/på-knappen (2).
- ◆ Hvis du vil slå av verktøyet mens det er i kontinuerlig drift, trykker du inn av/på-knappen (2) og slipper den.

### Saging

Hold verktøyet stødig med begge hender når du sager.

Fotplaten (7) bør holdes fast mot materialet som sages.

Dermed hindrer man at sagen hopper, vibrasjonene reduseres, og brudd på sagblad reduseres til et minimum.

- ◆ La bladet gå fritt i noen få sekunder før du starter sagingen.
- ◆ Bruk bare et lett press på verktøyet når du sager.

### Betjene laseren (figur G–I) (bare "L"-enheter)

#### Sette i batterier (figur G)

Koble lasermodulen (13) fra stikksagen ved å fjerne skruen (12) og trekke lasermodulen fremover. Sett inn to nye 1,5 volts alkaliske AAA-batterier, og kontroller at (+) og (-)-polene står rett vei. Sett lasermodulen (13) tilbake på plass.

#### Justere laseren sideveis (figur H)

**Merknad:** Laseren er ment som et skjære hjelpemiddel og garanterer ikke et presist kutt.

**Advarsel!** Juster aldri laseren mens stikksagen er koblet til nettspenning.

- ◆ Bruk laserjusteringsskruen (14) til å justere laserlinjen i forhold til sagbladet om nødvendig.

Laserens synlighet (kraft) blir redusert hvis stikksagen overopphetes. Laseren vil kanskje ikke være synlig hvis sagen overbelastes over lengre tid. Laseren vil gradvis bli mer synlig og til slutt bli normal etter som verktøyet kjøles ned, selv om kontakten er koblet ut.

**Advarsel!** La aldri en overopphetet laser stå PÅ. Sørg for at bryteren står i AV-posisjon, og ta ut batteriene for å slå av strømmen til laseren.

### Bruke laseren (figur I og J)

Laseren projiserer skjærelinjen (17) på overflaten til arbeidsstykket.

- ◆ Trykk på knappen (15) for å slå laseren på.
- ◆ Trykk på knappen (15) en gang til for å slå laseren av.

Skjærelinjen (16) skal være lett å følge når man ser rett ned fra oversiden av stikksagen. Hvis denne synsvinkelen er blokkert, kan du bruke laseren som en alternativ skjærehjelp.

- ◆ Bruk en blyant til å merke skjærelinjen (16).
- ◆ Plasser stikksagen over linjen (16).
- ◆ Slå på laseren.

### Betjene arbeidslyset (figur K og L) (bare "W"-enheter)

Enheter som har en "W" i katalognummeret, har en lysdiode (18) som belyser området rundt bladet.

- ◆ Når du skal slå arbeidslyset på, skyver du bryteren (19) til på-stillingen (I).
- ◆ Når du skal slå arbeidslyset av, skyver du bryteren (19) til av-stillingen (0).

### Råd for optimal bruk

#### Sage i laminat

Når du sager laminat, kan det forekomme oppflising som kan skade overflaten som skal synes. De mest vanlige sagbladene skjærer når de beveger seg oppover. Hvis fotplaten hviler mot overflaten som skal synes, bruker du enten et sagblad som skjærer når det beveger seg nedover, eller:

- ◆ Bruk et fintagget sagblad.
- ◆ Sag fra den bakre flaten på arbeidsstykket.
- ◆ For å minimere flising, kan du klemme et stykke kapp eller fiberplate på begge sider av arbeidsstykket og sage gjennom dette.

#### Sage i metall

Vær oppmerksom på at saging i metall tar mye lengre tid enn saging i tre.

- ◆ Bruk et sagblad som egner seg for metallsaging.
- ◆ Når du skjærer tynne metallplater, kan du klemme et stykke kapp til den bakre flaten på arbeidsstykket og skjære gjennom dette.
- ◆ Smør en film av olje over hele den tiltenkte skjærelinjen.

### Vedlikehold

Black & Decker-verktøyet ditt er konstruert for å være i drift over lengre tid med et minimum av vedlikehold. Det er avhengig av godt vedlikehold og regelmessig rengjøring for å fungere som det skal til enhver tid.

- ◆ Rengjør ventilasjonsåpningene i verktøyet jevnlig med en myk børste eller tørr klut.

- ◆ Rengjør motorhuset regelmessig med en ren, fuktig klut. Ikke bruk slipende eller løsemiddelbaserte rengjøringsmidler. La det aldri sive væske inn i verktøyet, og senk aldri noen deler av verktøyet ned i væske.

### Miljø



Separat fjerning. Dette produktet må ikke kastes sammen med husholdningsavfall.

Hvis du finner ut at Black & Decker-produktet ditt trenger å byttes ut, eller du ikke har bruk for det lenger, må du ikke kaste det med husholdningsavfallet. Sørg for at det blir levert inn separat.



Hvis brukte produkter og emballasje leveres atskilt, kan materialer resikuleres og brukes på nytt. Resirkulering av brukte produkter gir redusert miljøforurensning og mindre behov for råmaterialer.

Det kan være lokale bestemmelser for egen innsamling av elektriske produkter fra husstander, på kommunale avfallsplasser eller hos forhandleren når du kjøper et nytt produkt.

Black & Decker tar i mot brukte Black & Decker-produkter for resirkulering. Du kan levere produktet til et autorisert serviceverksted.

For informasjon om nærmeste autoriserte serviceverksted, kontakt ditt lokale Black & Decker-kontor på den adressen som er angitt i bruksanvisningen. Det finnes også en liste over autoriserte Black & Decker-serviceverksteder og opplysninger om ettersalgsservice og kontakter på Internett: [www.2helpU.com](http://www.2helpU.com).



Tenk på miljøet når batteriene er tomme og du skal kaste dem. Ta ut batteriene som beskrevet ovenfor.

- ◆ Ha batteriet i passende emballasje for å sikre at ikke terminalene kan kortsluttes.
- ◆ Ta med batteriene til en lokal miljøstasjon.

### Tekniske data

KS800E-serien	
Spenning	V AC 230
Normert inngang	W 520
Hastighet ubelastet	min <sup>-1</sup> 0–3000
Maks. skjæredybde	
Tre	mm 70
Stål	mm 5
Aluminium	mm 15
Vekt	kg 2,2

**Samsvarserklæring for EU**

KS800E-serien

Black & Decker erklærer at disse produktene overholder:  
98/37/EF, 2006/95/EØF, EN 60745, EN 55014, EN 61000,  
IEC 60825 + A1 + A2:2001

Lydtrykknivå i henhold til EN 60745:

Lydtrykk ( $L_{pA}$ ) 89 dB(A), usikkerhet (K) 3 dB(A)Akustisk effekt ( $L_{WA}$ ) 100 dB(A), usikkerhet (K) 3 dB(A)

Totale vibrasjonsverdier (vektorsum fra tre retninger)  
bestemt i samsvar med EN 60745:

Saging i tre ( $a_{h, CW}$ ) 6,0 m/s<sup>2</sup>, usikkerhet (K) 1,5 m/s<sup>2</sup>

Saging i metallplater ( $a_{h, CM}$ ) 6,5 m/s<sup>2</sup>,  
usikkerhet (K) 1,5 m/s<sup>2</sup>



Kevin Hewitt  
Direktør for forbrukerteknikk  
Spennymoor, County Durham DL16 6JG,  
Storbritannia  
1.10.2007

**Garanti**

Black & Decker er trygg på kvaliteten til sine produkter og tilbyr en enestående garanti. Denne garantierklæringen kommer i tillegg til dine lovbestemte rettigheter, og er ikke i konflikt med disse. Garantien er gyldig i EU- og EFTA-medlemsstatene.

Hvis et Black & Decker-produkt går i stykker på grunn av material- og/eller fabrikkasjonsfeil eller har mangler i forhold til spesifikasjonene, innen 24 måneder fra kjøpet, påtar Black & Decker seg å skifte ut defekte deler, reparere produkter som har vært utsatt for alminnelig slitasje, eller bytte ut slike produkter med minst mulig vanskelighet for kunden, med mindre:

- ◆ produktet har vært brukt i yrkes-/næringsvirksomhet eller til utleie.
- ◆ produktet har vært utsatt for feilaktig bruk eller mislighold.
- ◆ produktet har blitt skadet av fremmede gjenstander eller stoffer eller ved et uhell.
- ◆ reparasjoner er forsøkt utført av andre enn autoriserte serviceverksteder eller Black & Deckers serviceteknikere.

For å ta garantien i bruk skal produktet og kjøpekvitningen leveres til forhandleren eller til et autorisert serviceverksted. For informasjon om nærmeste autoriserte serviceverksted, kontakt ditt lokale Black & Decker-kontor på den adressen som er angitt i bruksanvisningen. En oversikt over autoriserte serviceverksteder og opplysninger om ettersalgsservice og kontakter er også tilgjengelig på Internett:

**[www.2helpU.com](http://www.2helpU.com)**

Besøk vårt webområde **[www.blackanddecker.no](http://www.blackanddecker.no)** for å registrere ditt nye Black & Decker-produkt og for å holde deg oppdatert om nye produkter og spesialtilbud. Du finner mer informasjon om Black & Decker og produktutvalget vårt på **[www.blackanddecker.no](http://www.blackanddecker.no)**.



## Anvendelsesområde

Din Black & Decker-stiksav er designet til at save i træ, plastic og metal. Værktøjet er kun beregnet til privat brug.

## Sikkerhedsvejledninger

### Generelle sikkerhedsadvarsler for elværktøj



**Advarsel! Læs alle sikkerhedsadvarsler og instruktioner.** Hvis ikke alle instruktioner følges, kan der opstå risiko for elektrisk stød, brand og/eller alvorlige personskader.

### Gem alle advarsler og instruktioner til senere brug.

Begrebet "elværktøj", der benyttes i nedenstående advarsler, henviser til netdrevne (med netledning) eller batteridrevne maskiner (uden netledning).

1. **Sikkerhed i arbejdsområdet**
    - a. **Sørg for, at arbejdsområdet er rent og ordentligt oplyst.** Uordentlige og uoplyste arbejdsområder øger faren for uheld.
    - b. **Brug ikke elværktøj i eksplosionstruede omgivelser, f.eks. hvor der er brændbare væsker, gasser eller støv.** Elværktøj kan slå gnister, der kan antænde støv eller dampe.
    - c. **Sørg for, at børn og andre personer holder sig på afstand, når elværktøjet er i brug.** Hvis man distraheres, kan man miste kontrollen over maskinen.
  2. **Elektricitet og sikkerhed**
    - a. **Elværktøjssstik skal passe til stikkontakten. Stikket må under ingen omstændigheder ændres. Brug ikke adapterstik sammen med jordforbundet elværktøj.** Uændrede stik, der passer til stikkontakterne, nedsætter risikoen for elektrisk stød.
    - b. **Undgå kropskontakt med jordforbundne overflader som f.eks. rør, radiatorer, komfurer og køleskabe.** Hvis din krop er jordforbundet, øges risikoen for elektrisk stød.
    - c. **Elværktøj må ikke udsættes for regn eller fugt.** Indtrængen af vand i elværktøj øger risikoen for elektrisk stød.
    - d. **Undgå at ødelægge ledningen. Undgå at bære, trække eller afbryde elværktøjet ved at rykke i ledningen. Beskyt ledningen mod varme, olie, skarpe kanter eller maskindele, der er i bevægelse.** Beskadigede eller indviklede ledninger øger risikoen for elektrisk stød.
    - e. **Hvis elværktøj benyttes i det fri, skal der benyttes en forlængerledning, som er godkendt til udendørs brug.** Brug af en forlængerledning til udendørs brug nedsætter risikoen for elektrisk stød.
  - f. **Brug en strømkilde med fejlstrømsbeskyttelse, hvis det er uundgåeligt at anvende elværktøj på fugtige steder.** Med en fejlstrømsbeskyttelse reduceres risikoen for elektrisk stød.
3. **Personlig sikkerhed**
    - a. **Vær opmærksom, hold øje med, hvad du laver, og brug elværktøjet fornuftigt. Man bør ikke bruge maskinen, hvis man er træt, har nydt alkohol eller er påvirket af medicin eller euforiserende stoffer.** Få sekunders uopmærksomhed ved brug af elværktøjet kan føre til alvorlige personskader.
    - b. **Brug personlige værnemidler. Brug altid beskyttelsesbriller.** Brug af værnemidler som f.eks. støvmaske, skridsikkert fodtøj, beskyttelseshjelm eller høreværn nedsætter risikoen for personskader, hvis udstyret anvendes korrekt.
    - c. **Sørg for, at værktøjet ikke kan starte utilsigtet. Kontroller, at tænd/sluk-knappen står på slukket, inden værktøjet tilsluttes strømkilden og/eller batteriet, samles op eller bæres.** Bæres elværktøj, mens fingeren er på kontakten, eller tilsluttes det, mens kontakten står på tændt, kan der nemt ske en ulykke.
    - d. **Fjern indstillingsværktøj eller skruenøgle, inden elværktøjet tændes.** Et værktøj eller en nøgle, der efterlades i en roterende del i elværktøjet, kan resultere i personskader.
    - e. **Stræk dig ikke for langt. Sørg for, at du altid har sikkert fodfæste og balance.** Det gør det nemmere at kontrollere elværktøjet, hvis der skulle opstå uventede situationer.
    - f. **Brug egnet arbejdstøj. Undgå løse beklædningsgenstande eller smykker. Hold hår, tøj og handsker væk fra dele, der bevæger sig.** Bevægelige dele kan gribe fat i løstsiddende tøj, smykker eller langt hår.
    - g. **Hvis støvudsugnings- og opsamlingsudstyr kan monteres, er det vigtigt, at dette tilsluttes og benyttes korrekt.** Brug af dette udstyr nedsætter risikoen for personskader som følge af støv.
  4. **Brug og vedligeholdelse af elværktøj**
    - a. **Undgå at overbelaste elværktøjet. Brug altid det rette elværktøj til opgaven.** Med det rigtige elværktøj udføres arbejdet lettere og sikrere og i det tempo, som værktøjet er beregnet til.
    - b. **Brug ikke elværktøjet, hvis afbryderen er defekt.** Elværktøj, der ikke kan reguleres med afbryderen, er farligt og skal repareres.

**c. Træk stikket ud af stikkontakten og/eller batteriet inden indstilling, tilbehørsudskiftning eller opbevaring af elværktøjet.** Disse

sikkerhedsforanstaltninger reducerer risikoen for utilsigtet start af værktøjet.

**d. Opbevar ubenyttet elværktøj uden for børns rækkevidde. Lad aldrig personer, der ikke er fortrolige med elværktøj, eller som ikke har gennemlæst disse instrukser, benytte maskinen.**

Elværktøj er farligt, hvis det benyttes af ukyndige personer.

**e. Elværktøj bør vedligeholdes omhyggeligt.**

Kontroller, om bevægelige dele er skæve og ikke sidder fast, og om delene er brækket eller beskadiget, så elværktøjets funktion påvirkes. Få beskadigede dele repareret, inden elværktøjet tages i brug. Mange uheld skyldes dårligt vedligeholdt elværktøj.

**f. Sørg for, at skæreværktøjer er skarpe og rene.**

Omhyggeligt vedligeholdte skæreværktøjer med skarpe skærekanter sætter sig ikke så hurtigt fast og er nemmere at styre.

**g. Brug elværktøjet, tilbehøret, indsatsværktøj osv. i overensstemmelse med disse instruktioner under hensyntagen til arbejdsforholdene og arbejdet, der skal udføres med værktøjet.** I tilfælde af anvendelse af elværktøjet til formål, som ligger uden for det fastsatte anvendelsesområde, kan der opstå farlige situationer.

**5. Service**

**a. Sørg for, at elværktøjet kun repareres af kvalificerede fagfolk, og at der kun benyttes originale reservedele.** Dermed opretholdes elværktøjets sikkerhed.

**Yderligere sikkerhedsadvarsler for elværktøj**



**Advarsel!** Yderligere sikkerhedsadvarsler for stiksave.

- ◆ **Hold på værktøjets isolerede grebflader, hvis der er risiko for, at det kommer i kontakt med skjulte ledninger eller værktøjets egen ledning.** Kontakt med en strømførende ledning gør værktøjets isolerede dele strømførende, så brugeren får stød.
- ◆ **Brug skruetvinger eller lignende til at holde og støtte materialet på en stabil platform.** Det er ikke nok at holde materialet tæt til kroppen. Materialet kommer ud af kontrol.
- ◆ **Hold hænderne på afstand af skæreamrådet.** Ræk aldrig ind under materialet uanset årsagen. Anbring ikke fingrene i nærheden af den frem- og tilbagegående

klinge og klingeholderen. Stabiliser ikke saven ved at gribe omkring sålen.

- ◆ **Hold klingerne skarpe.** Døve eller beskadigede klinger kan få saven til at slingre eller standse under pres. Brug altid den rigtige type savklinger til materialet og formålet.
- ◆ **Når der saves i rør og rørledninger, er det vigtigt, at de er fri for vand, elektriske ledninger osv.**
- ◆ **Rør ikke ved materialet eller klingen, umiddelbart efter at værktøjet har været i brug.** De kan være meget varme.
- ◆ **Vær opmærksom på skjulte risici, inden der saves i vægge, gulve eller lofter.** Kontroller, om der findes ledninger og rør.
- ◆ **Klingen fortsætter med at bevæge sig, efter at kontakten er sluppet.** Sluk altid værktøjet, og vent, indtil savklingens bevægelse er helt ophørt, inden du lægger værktøjet fra dig.

**Advarsel!** Berøring af eller indånding af støvpartikler fra skærearbejder kan udgøre en fare for både brugerens og eventuelle tilskuers helbred. Bær en specielt designet støvmaske til beskyttelse mod støv og røg, og sørg for, at personer på eller som indtræder på arbejdsområdet også er beskyttet.

- ◆ Man skal grundigt fjerne alt støv efter slibning.
- ◆ Man skal være specielt opmærksom ved slibning af maling, som er blybaseret, og ved slibning af nogle typer træ og metal, som kan frembringe giftigt støv:
  - Børn og gravide kvinder må ikke betræde arbejdsområdet.
  - Man må hverken spise, drikke eller ryge inden for arbejdsområdet.
  - Støvpartikler og andet affald skal bortskaffes på en sikker måde.
- ◆ Dette værktøj er ikke beregnet til at blive brugt af personer (herunder børn) med nedsatte fysiske, sensoriske eller mentale evner eller manglende erfaring og viden, med mindre det sker under overvågning, eller der gives instruktion i brugen af værktøjet af en person, der er ansvarlig for deres sikkerhed. Børn skal holdes under opsyn, så det sikres, at de ikke leger med værktøjet.
- ◆ Apparatets påtænkte anvendelse fremgår af vejledningen. Brugen af ekstraudstyr eller tilbehør eller udførelse af opgaver med værktøjet ud over de i brugervejledningen anbefalede kan medføre risiko for personskade og/eller materiel skade.

## Vibration

De angivne værdier for udsendelse af vibration opført under de tekniske data og overensstemmelseserklæringen er målt i henhold til standardtestmetoden anført i EN 60745 og kan bruges til at sammenligne ét værktøj med et andet. Den angivne værdi for udsendelse af vibration kan også bruges som en foreløbig vurdering af eksponeringen.

**Advarsel!** Værdien for udsendelse af vibration ved faktisk brug af elværktøjet kan adskille sig fra den angivne værdi afhængigt af måden, værktøjet anvendes på.

Vibrationsniveauet kan overstige det angivne niveau.

I vurderingen af eksponeringen til vibration med henblik på fastsættelse af sikkerhedsforanstaltninger forlangt i 2002/44/EC for at beskytte personer, der jævnligt anvender elværktøj i deres arbejde, skal der tages hensyn til de faktiske betingelser under brugen, og måden værktøjet bruges på, herunder alle arbejdsrytters elementer, f.eks. perioder, hvor værktøjet er slukket og kører i tomgang tillige med startperioderne.

## Mærkatere på værktøjets



**Advarsel!** Brugeren skal læse brugervejledningen for at reducere risikoen for skader.

## Elektricitet og sikkerhed



Denne maskine er dobbelt isoleret. Derfor er jordledning ikke nødvendig. Kontroller altid, at strømforsyningen svarer til spændingen på typeskiltet.

- Dette apparat er ikke beregnet til at blive betjent af unge eller uerfarne personer uden opsyn. Børn skal holdes under opsyn, så det sikres, at de ikke leger med apparatet.
- Hvis netledningen beskadiges, skal den udskiftes af producenten eller et autoriseret Black & Decker-værksted, så farlige situationer undgås.

## Yderligere sikkerhedsvejledninger til ikke-genopladelige batterier

- Forsøg aldrig at åbne uanset årsag.
- Opbevar ikke på steder, hvor temperaturen kan overstige 40 °C.
- Følg ved bortskaffelse af batterier vejledningen i afsnittet "Miljø".

Batterierne må ikke bortskaffes i forbrændingsanlæg.

- Under ekstreme forhold kan der forekomme batterilækage. Hvis du opdager væske på batterierne, skal du gøre følgende:

- Tør forsigtigt væsken af med en klud. Undgå kontakt med huden.

## Yderligere sikkerhedsvejledninger for lasere



Læs hele vejledningen omhyggeligt.



Dette produkt må ikke bruges af børn under 16 år.



Laserstråling.



Se aldrig ind i laserstrålen.



Benyt aldrig optiske redskaber til at se laserstrålen.

- Denne laser er i overensstemmelse med klasse 2 iht. IEC 60825+A1+A2:2001. Erstat aldrig laserdioden med en anden type. Hvis laseren er beskadiget, skal den repareres af et autoriseret serviceværksted.
- Laseren må ikke bruges til andet formål end projektion af laserlinjer.
- Udsættes øjet for en stråle fra en laser i klasse 2 er dette kun regnet for sikkert i maksimalt 0,25 sekunder. Øjenlågets reflekser vil under normale omstændigheder være tilstrækkelig beskyttelse. Ved afstande på mere end 1 m er laseren i overensstemmelse med klasse 1 og regnes derfor som fuldstændig sikker.
- Se aldrig direkte og med fuldt overlæg ind i laserstrålen.
- Benyt aldrig optiske redskaber til at se laserstrålen.
- Sæt aldrig værktøjet op hvor laserstrålen kan ramme en person i hovedhøjde.
- Børn må aldrig komme i nærheden af laseren.

## Funktioner

1. Spærreknop
2. Tænd/sluk-kontakt med variabel hastighed
3. Dæksel til opbevaringsrummet til savklinger
4. Låsegreb til sål
5. Støvsugningsudgang
6. Støvsugningsadapter
7. Sål
8. Klingens støtteruller
9. Klingeholder, der ikke kræver værktøj

## Yderligere karakteristika (fig. A)

Der kan være yderligere karakteristika afhængigt af det anskaffede produkt. De yderligere karakteristika for de enkelte katalognumre fremgår af figur A.

## Montering

**Advarsel!** Sørg for at værktøjet er afbrudt, stikket taget ud og at savklingen er standset inden nogle af de følgende funktioner foretages. Brugte savklinger kan være varme.

### Påsatning af savklingen (fig. B)

- ◆ Hold på savklingen (10) som vist, så tænderne vender fremad.
- ◆ Tryk på og hold klingeholderen (9) nede.
- ◆ Sæt savklings skaft ind i holderen (11) så langt det kan gå ind.
- ◆ Slip klingeholderen (9).

### Opbevaring af savklinger (fig. C)

Savklinger (10) kan opbevares i opbevaringsrummet på siden af værktøjet.

- ◆ Åbn dækslet (3) til klingepbevaringsrummet ved at holde i tappen i toppen af dækslet (3) og trække udad.
- ◆ En magnetstrimmel holder klingerne fast i rummet. Når en klinge skal tages ud, skal den ene ende af klingens trykkes ned, så den anden ende løftes, og klingens kan tages ud.
- ◆ Luk dækslet (3) til opbevaringsrummet til savklinger, og kontroller, at låsen er lukket.

**Advarsel!** Luk døren til rummet helt, inden saven åbnes.

### Tilslutning af en støvsuger til værktøjet (fig. D)

Der kræves en adapter for at slutte en støvsuger eller støvudsukker til værktøjet. Støvdtagsadapteren (6) kan købes hos en lokal Black & Decker-forhandler.

- ◆ Sæt adapteren (6) i støvudsugningsudgangen (5).
- ◆ Sæt støvsugerslangen i adapteren (6).

## Anvendelse

### Justering af sålen til skråsnit (fig. E og F)

**Advarsel!** Brug aldrig værktøjet hvis sålen er løs eller afmonteret.

Sålen (7) kan indstilles til en venstre eller højre vinkel på op til 45°.

- ◆ Træk sålens låsegreb (4) udad for at frigøre sålen (7) fra positionen 0 grader (fig. F).
- ◆ Træk sålen (7) fremad, og indstil den ønskede vinkel på 15°, 30° og 45°, som angives i vinkelvinduet.
- ◆ Skub sålens låsegreb (4) tilbage mod saven for at låse sålen (7).

Sådan nulstilles sålen (7) til lige snit:

- ◆ Træk sålens låsegreb (4) udad for at frigøre sålen (7).
- ◆ Indstil sålen (7) i en vinkel på 0°, og skub sålen bagud.
- ◆ Skub sålens låsegreb (4) tilbage mod saven for at låse sålen (7).

### Start og stop

- ◆ Tryk på tænd/sluk-kontakten med variabel hastighed (2) for at tænde apparatet.
- ◆ Tryk på tænd/sluk-kontakten med variabel hastighed (2) for at slukke apparatet.
- ◆ Tryk på spærreknappen (1), og udløs tænd/sluk-kontakten (2) for at opnå konstant funktion.
- ◆ Tryk på og slip tænd/sluk-kontakten (2) for at slukke værktøjet, når det kører konstant.

### Savning

Hold godt fast i værktøjet med begge hænder, mens du saver.

Sålen (7) skal holdes fast mod materialet, der saves i. Det medvirker til at forhindre, at saven hopper, reducerer vibrationer og minimerer risikoen for, at klingens knækker.

- ◆ Lad klingens løbe frit et par sekunder, inden du begynder at save.
- ◆ Tryk kun let med værktøjet, mens du skærer.

### Betjening af laseren (fig. G - I) (kun "L"-enheder)

#### Isætning af batterier (fig. G)

Afmonter lasermodul (13) fra stiksaven ved at fjerne skruen (12) og trække lasermodul fremad. Isæt to nye alkaliske 1,5 volt AAA-batterier og sørg for at vende de positive (+) og negative (-) poler rigtigt. Sæt lasermodul (13) på igen.

#### Justering af laseren fra side til side (fig. H)

**Bemærk:** Laseren er beregnet som en hjælp ved skæringen og garanterer ikke en præcis skæring.

**Advarsel!** Laseren må ikke justeres mens stiksavens stik sidder i kontakten.

- ◆ Brug laserens justeringsskruer (14) til at tilrette laserlinjen med savklingen efter behov.

Laserens synlighed (strøm) reduceres, hvis stiksavens overophedes. Laseren er muligvis ikke synlig, hvis saven er overlastet i længere tid. Laseren synlighed vil langsomt vende tilbage til normal, når værktøjet køler af, også efter at værktøjets stik er taget ud.

**Advarsel!** Efterlad aldrig kontakten TÆNDT på en overophedet laser. Sørg for, at kontakten står på SLUKKET, og tag batterierne ud for at afbryde strømmen til laseren.

#### Brug af laseren (fig. I og J)

Laseren projicerer skæringlinjen (17) på overfladen af arbejds materialet.

- ◆ Tænd for laseren ved at trykke på knappen (15).
- ◆ Sluk for laseren ved at trykke på knappen (15) igen.

Ved at se ovenfra og ned på stiksaven er det nemt at følge skæringslinjen (16). Er det af en eller anden grund ikke muligt at se den på denne måde, kan laseren bruges om et alternativt skærestyr.

- ◆ Brug en blyant til at afmærke skæringslinjen (16).
- ◆ Placér stiksaven over linjen (16).
- ◆ Tænd for laseren.

### Betjening af arbejdsbelysningen fig. K og L) (kun "W"-enheder)

Enheder med et "W" i katalognummeret har en lysdiode (18), som oplyser området omkring klingens.

- ◆ Sæt kontakten (19) på tændt position (I) for at tænde arbejdsbelysningen.
- ◆ Sæt kontakten (19) på slukket position (0) for at slukke arbejdsbelysningen.

### Gode råd til optimal brug

#### Skæring i laminater

Der kan opstå splinter, når der skæres i laminat, hvilket kan beskadige forsiden. De fleste savklinger skærer i det opadgående strøg, så hvis sålen er placeret på oversiden, skal der enten bruges en savklinge, der skærer i det nedadgående strøg, eller:

- ◆ Brug en savklinge med fine tænder.
- ◆ Skær fra bagsiden af arbejdsmaterialet.
- ◆ Klem et stykke spildtræ eller hardboard på begge sider af materialet og sav gennem denne sandwich for at minimere splintringen.

#### Skæring i metal

Vær opmærksom på, at skæring i metal tager meget længere tid end skæring i træ.

- ◆ Brug en savklinge der egner sig til skæring i metal.
- ◆ Klem et stykke spildtræ til bagsiden af arbejdsmaterialet og sav gennem denne sandwich når der skæres i tynde metalplader.
- ◆ Læg en oliefilm langs den påtænkte skæringslinje.

### Vedligeholdelse

Dit Black & Decker-værktøj er beregnet til at være i drift gennem en længere periode med minimal vedligeholdelse. Fortsat tilfredsstillende drift afhænger af korrekt behandling af værktøjet samt regelmæssig rengøring.

- ◆ Rengør regelmæssigt værktøjets ventilationshuller med en blød børste eller en tør klud.
- ◆ Rens med jævne mellemrum motorhuset med en fugtig klud. Der må ikke bruges skuremidler eller opløsningsmidler. Lad aldrig væske trænge ind i værktøjet, og nedsænk aldrig nogen del af værktøjet i væske.

### Miljø



Særlig bortskaffelse. Dette produkt må ikke bortskaffes sammen med almindeligt husholdningsaffald.

Når dit Black & Decker-produkt en dag er udtjent, eller du ikke længere har brug for det, må du ikke smide det ud sammen med det almindelige affald. Produktet skal bortskaffes særskilt.



Ved adskilt bortskaffelse af brugte produkter og emballage bliver der mulighed for at genanvende forskellige stoffer. Genanvendelse af stoffer medvirker til at forebygge miljøforurening og mindsker behovet for råstoffer.

Lokal lovgivning kan kræve separat indsamling af elprodukter fra husholdningen, ved kommunale affaldsdepoter eller af den detailhandelnde ved køb af et nyt produkt.

Black & Decker sørger for at indsamle og genanvende Black & Decker-produkter, når disse ikke længere kan bruges. Hvis du vil benytte dig af denne service, skal du returnere produktet til et autoriseret værksted, der indsamler produkterne for os.

Kontakt det lokale Black & Decker-kontor på den adresse, som er opgivet i denne vejledning, for at få oplysninger om det nærmeste autoriserede værksted. En liste over alle autoriserede Black & Decker-serviceværksteder samt servicevilkår og kontaktpersoner er tilgængelig på internettet på adressen: [www.2helpU.com](http://www.2helpU.com).



Når batterier er udtjente, skal de bortskaffes under passende hensyntagen til miljøet. Tag batterierne ud af apparatet som beskrevet ovenfor.

- ◆ Anbring batterierne i en egnet emballage for at sikre, at terminalerne ikke kortsluttes.
- ◆ Aflever batterierne på en lokal genbrugsstation.

### Tekniske data

	KS800E-serien
Spænding	VAC 230
Nominel indgangseffekt	W 520
Hastighed uden belastning	min. <sup>-1</sup> 0-3000
Maks. skæredybde	
Træ	mm 70
Stål	mm 5
Aluminium	mm 15
Vægt	kg 2,2

**EU overensstemmelseserklæring**

KS800E-serien

Black & Decker erklærer, at disse produkter er i overensstemmelse med følgende:

98/37/EU, 2006/95/EØF, EN 60745, EN 55014, EN61000, IEC 60825+A1+A2:2001

Lydtrykniveau i henhold til EN 60745:

Lydtryk ( $L_{pA}$ ) 89 dB(A), usikkerhed (K) 3 dB(A)

Akustisk effekt ( $L_{WA}$ ) 100 dB(A), usikkerhed (K) 3 dB(A)

Samlede værdier for vibration (triaksial vektorsum) i henhold til EN 60745:

Savning i træ ( $a_{h, CW}$ ) 6,0 m/s<sup>2</sup>, usikkerhed (K) 1,5 m/s<sup>2</sup>

Savning i metalplader ( $a_{h, CM}$ ) 6,5 m/s<sup>2</sup>,

usikkerhed (K) 1,5 m/s<sup>2</sup>



Kevin Hewitt

Director of Consumer Engineering  
Spennymoor, County Durham DL16 6JG,  
Storbritannien  
01-10-2007

**Garanti**

Black & Decker garanterer, at produktet er fri for materielle skader og/eller fabriktionsfejl ved levering til kunden.

Garantien er et tillæg til forbrugerens lovsikrede rettigheder og påvirker ikke disse. Garantien gælder inden for medlemsstaterne af den Europæiske Union og i det Europæiske Frihandelsområde.

Hvis et Black & Decker-produkt går i stykker på grund af materiel skade og/eller fabriktionsfejl eller på anden måde ikke fungerer i overensstemmelse med specifikationen inden for 24 måneder fra købsdatoen, påtager Black & Decker sig at reparere eller ombytte produktet med mindst mulig ulempe for kunden. Garantien gælder ikke for fejl og mangler, der er sket i forbindelse med:

- ◆ normal slitage
- ◆ uheldige følger efter unormal anvendelse af værktøjet
- ◆ overbelastning, hærværk eller overdrevent intensiv brug af værktøjet eller ulykkeshændelse
- ◆ Garantien gælder ikke, hvis reparationer er udført af nogen anden end et autoriseret Black & Decker-værksted.

For at udnytte garantien skal produktet og købskvitteringen indleveres til forhandleren eller til et autoriseret værksted.

Kontakt det lokale Black & Decker-kontor på den adresse, som er opgivet i denne vejledning, for at få oplysninger om det nærmeste autoriserede værksted. En liste over alle autoriserede Black & Decker-serviceværksteder samt servicevilkår er tilgængelig på internettet på adressen:

**[www.2helpU.com](http://www.2helpU.com)**

Gå venligst ind på vores websted **[www.blackanddecker.dk](http://www.blackanddecker.dk)** for at registrere dit nye produkt og for at blive holdt ajour om nye produkter og specialtilbud. Der findes yderligere oplysninger om mærket Black & Decker og vores produktsortiment på adressen **[www.blackanddecker.dk](http://www.blackanddecker.dk)**.

## Käyttötarkoitus

Black & Deckerin pistosaha on suunniteltu puun, muovin ja metallin sahaamiseen. Työkalu on tarkoitettu kotikäyttöön.

## Turvallisuusohjeet

### Sähkötyökalujen yleiset turvavaroitukset



#### **Varoitus! Lue kaikki turvavaroitukset ja ohjeet.**

Ohjeiden noudattamisen laiminlyönti saattaa johtaa sähköiskuun, tulipaloon ja/tai vakavaan loukkaantumiseen.

### Säästä kaikki varoitukset ja ohjeet tulevaa käyttöä varten.

Ohjeissa käytetty käsite "sähkötyökalu" tarkoittaa verkkokäyttöisiä sähkötyökaluja (verkkojohdolla) ja akkukäyttöisiä sähkötyökaluja (ilman verkkojohtoa).

1. **Työalueen turvallisuus**
  - a. **Pidä työalue puhtaana ja hyvin valaistuna.**  
Työpaikan epäjärjestys ja valaisemattomat työalueet voivat johtaa tapaturmiin.
  - b. **Älä käytä sähkötyökalua räjähdyksalttiissa ympäristössä, jossa on palavaa nestettä, kaasua tai pölyä.** Sähkötyökalu muodostaa kipinöitä, jotka saattavat sytyttää pölyn tai höyryt.
  - c. **Pidä lapset ja sivulliset loitolla sähkötyökalua käyttäessäsi.** Voit menettää laitteen hallinnan, jos huomiosi suuntautuu muualle.
2. **Sähköturvallisuus**
  - a. **Sähkötyökalun pistokkeen tulee sopia pistorasiaan.** Pistoketta ei saa muuttaa millään tavalla. Älä käytä mitään pistorasiasovittimia maadoitettujen sähkötyökalujen kanssa. Alkuperäiset pistokkeet ja niille sopivat pistorasiat vähentävät sähköiskun vaaraa.
  - b. **Vältä koskettamasta maadoitettuja pintoja, kuten putkia, pattereita, liesiä tai jääkaappeja.** Sähköiskun vaara kasvaa, jos kehosi on maadoitettu.
  - c. **Älä altista sähkötyökalua sateelle tai kosteudelle.** Veden pääsy sähkötyökalun sisään lisää sähköiskun riskiä.
  - d. **Älä käsittele virtajohtoa kovakouraisesti.** Älä käytä sitä sähkötyökalun kantamiseen, vetämiseen tai pistokkeen irrottamiseen pistorasiasta. Pidä johto loitolla kuumuudesta, öljystä, terävistä reunoista ja liikkuvista osista. Vahingoittuneet tai sotkeutuneet johdot lisäävät sähköiskun vaaraa.
  - e. **Käyttäessäsi sähkötyökalua ulkona käytä ainoastaan ulkokäyttöön soveltuvaa jatkojohtoa.** Ulkokäyttöön soveltuvan jatkojohdon käyttö pienentää sähköiskun vaaraa.
  - f. **Jos sähkötyökalua on välttämättä käytettävä kosteassa paikassa, käytä jäännösvirtalaitteella (RCD) suojattua virtälähdettä.** Jäännösvirtalaitteen käyttö vähentää sähköiskun vaaraa.
3. **Henkilöturvallisuus**
  - a. **Keskity työskentelyysi ja noudata tervettä järkeä käyttäessäsi sähkötyökaluja.** Älä käytä sähkötyökalua, jos olet väsynyt tai huumeiden, alkoholin tai lääkkeiden vaikutuksen alaisena. Hetken tarkkaamattomuus sähkötyökalua käytettäessä saattaa johtaa vakavaan loukkaantumiseen.
  - b. **Käytä henkilökohtaisia suojavarusteita.** Käytä aina suojalaseja. Suojavarusteet, kuten hengityssuojain, luistamattomat turvajalkineet, kypärä ja kuulosuojaimet, pienentävät loukkaantumisriskiä, jos niitä käytetään tilanteen mukaan oikein.
  - c. **Vältä tahatonta käynnistämistä.** Varmista, että kytkin on off-asennossa, ennen kuin liität laitteen virtalähteeseen ja/tai akkuun, nostat laitteen tai kannat sitä. Onnettomuusvaara lisääntyy, jos kannat sähkötyökalua sormi käyttökytkimellä tai kytket työkalun virtajohdon pistorasiaan, kun käyttökytkin on päällä.
  - d. **Irrota mahdollinen säätö- tai kiintoavain, ennen kuin käynnistät sahan.** Sahan pyörivään osaan kiinni jäänyt avain voi johtaa loukkaantumiseen.
  - e. **Älä kurkota liian kauas. Seiso aina tukevasti ja tasapainossa.** Tällöin voit paremmin hallita sähkösahaa yllättävissä tilanteissa.
  - f. **Käytä tarkoitukseen soveltuvia vaatteita.** Älä käytä löysiä työvaatteita tai koruja. Pidä hiukset, vaatteet ja käsiineet loitolla liikkuvista osista. Väljät vaatteet, korut ja pitkät hiukset voivat tarttua liikkuviin osiin.
  - g. **Jos sahana voi kiinnittää purunkerääjän tai -imurin, tarkista, että se on paikallaan ja että se toimii oikein.** Näiden laitteiden käyttö vähentää pölyhaittoja.
4. **Sähkötyökalujen käyttö ja hoito**
  - a. **Älä ylikuormita laitetta.** Käytä kyseiseen työhön tarkoitettua sähkötyökalua. Sopivaa sähkötyökalua käyttäen työskentelet paremmin ja turvallisemmin tehoalueella, jolle sähkötyökalu on tarkoitettu.
  - b. **Älä käytä sähkötyökalua, jota ei voida käynnistää ja pysäyttää virtakytkimestä.** Jos sähkötyökalua ei voi käynnistää ja pysäyttää virtakytkimellä, se on vaarallinen ja se täytyy korjata.
  - c. **Irrota pistotulppa pistorasiasta ja/tai akku laitteesta, ennen kuin suoritat säätöjä, vaihdat tarvikkeita tai siirrä sähkötyökalun varastoitavaksi.** Nämä turvatoimenpiteet pienentävät sähkötyökalun tahattoman käynnistämisen riskiä.

- d. Säilytä sähkötyökalut poissa lasten ulottuvilta, kun niitä ei käytetä. Älä anna sahaa sellaisen henkilön käyttöön, joka ei tunne sitä tai joka ei ole tutustunut tähän käyttöohjeeseen. Sähkötyökalut ovat vaarallisia kokemattoman käyttäjän käsissä.
- e. Hoida sähkötyökaluja oikein. Tarkista, että liikkuvat osat toimivat moitteettomasti eivätkä ne ole puristuksessa. Tarkista myös, ettei työkalussa ei ole murtuneita tai vahingoittuneita osia, jotka saattaisivat vaikuttaa haitallisesti sen toimintaan. Korjauta mahdolliset viat ennen käyttöönottoa. Moni tapaturma aiheutuu huonosti huollettujen laitteiden vuoksi.
- f. Pidä leikkausterät terävinä ja puhtaina. Huolellisesti hoidettu, terävä saha ei tartu herkästi kiinni, ja sitä on helpompi hallita.
- g. Käytä sähkötyökaluja, tarvikkeita, vaihtotyökaluja yms. näiden ohjeiden mukaisesti. Ota tällöin huomioon työolosuhteet ja suoritettava toimenpide. Sähkötyökalun käyttö muuhun kuin sille määrättyyn käyttöön saattaa johtaa vaarallisiin tilanteisiin.
5. Huolto
- a. Korjauta sähkötyökalu koulutetulla ja ammattitaitoisella henkilöllä ja hyväksy korjauksiin vain alkuperäisiä varaosia. Täten varmistat, että sähkötyökalu säilyy turvallisena.

### Sähkötyökalujen lisäturvavaroitukset



**Varoitus!** Lisäturvavaroitukset pistosahoille.

- ◆ Jos sahaat putkea tai kotelointia, tarkista ensin, ettei sen sisällä ole vettä, sähköjohtoa tms.
  - ◆ Älä kosketa terää tai sahattua leikkauspintaa heti sahausksen jälkeen. Ne voivat olla hyvin kuumia.
  - ◆ Varo piilossa olevia vaaroja. Tarkista sähköjohtojen ja putkien sijainti, ennen kuin sahaat seinää, lattiaa tai kattoa.
  - ◆ Terän liike jatkuu vielä hetken käyttökikimen vapauttamisen jälkeen. Katkaise virta ja odota, että terän liike on kokonaan pysähtynyt, ennen kuin lasket laitteen käsistäsi.
- Varoitus!** Leikatessa syntyvän pölyn kanssa kosketuksiin joutuminen tai sen hengittäminen saattaa olla haitallista käyttäjän tai lähellä olevien terveydelle. Käytä kasvosuojusta, joka on erityisesti tarkoitettu suojaamaan pölyltä ja höyryiltä, ja varmista, että kaikki työalueella olevat ja sinne tulevat henkilöt käyttävät suojavarusteita.
- ◆ Poista pöly huolellisesti hiomisen jälkeen.
  - ◆ Ole erityisen varovainen hioessasi maalipintoja, jotka voivat sisältää lyijyä, tai puu- tai metallipintoja, joista voi irrota myrkyllistä hiomapölyä.
    - Älä anna lasten tai raskaana olevien naisten olla työalueella.
    - Älä syö, juo tai tupakoi työalueella.
    - Hävitä pöly ja muu jäte ympäristöystävällisesti.
  - ◆ Tätä työkalua ei ole tarkoitettu sellaisten henkilöiden käyttöön, joilla on fyysisiä tai älyllisiä rajoitteita tai aistirajoitteita, eikä laitteen toimintaan perehtymättömien henkilöiden käyttöön (lapset mukaan luettuina), paitsi valvonnan alaisina, tai jos he ovat saaneet laitteen käyttöön liittyvää opastusta heidän turvallisuudestaan vastaavalta henkilöltä. Lapsia on valvottava ja estettävä leikkimästä laitteella.
  - ◆ Työkalun käyttötarkoitus on kuvattu tässä käyttöohjeessa. Käytä työkalua ainoastaan sellaiseen työhön, johon se on tarkoitettu, ja käytä vain käyttöohjeessa ja tuotekuvastossa suositeltuja tarvikkeita ja lisälaitteita. Ohjeesta poikkeava käyttö voi aiheuttaa henkilö- ja/tai omaisuusvahinkoja.
- Tärinä**
- Teknisissä tiedoissa ja yhdenmukaisuusilmoituksessa ilmoitettu tärinäpäästöarvo on mitattu EN 60745 -standardin testausmenetelmän mukaisesti, ja sen avulla voidaan vertailla työkaluja keskenään. Ilmoitettua tärinäpäästöarvoa voidaan käyttää myös altistumisen alustavaan arviointiin.
- Varoitus!** Sähkötyökalun käytön aikana mitattu todellinen tärinäpäästöarvo voi poiketa ilmoitetusta tärinäpäästöarvosta työkalun käyttötavan mukaan. Tärinätasoa voi olla ilmoitettua tasoa suurempi.



Kun tärinälle altistumista arvioidaan sen määrittämiseksi, mitä direktiivin 2002/44/EY mukaisia turvatoimenpiteitä vaaditaan sähkötyökaluja säännöllisesti käyttävien henkilöiden suojelemiseksi, tärinälle altistumisen arvioinnissa on otettava huomioon todelliset käyttöolosuhteet ja työkalun käyttötavat. Todellisen käytön lisäksi on kiinnitettävä huomiota myös siihen, milloin työkalu on sammutettuna tai se käy tyhjänä.

### Laitteessa olevat merkinnät



**Varoitus!** Käyttäjän on luettava käyttöopas vahinkojen välttämiseksi.

### Sähköturvallisuus



Tämä laite on kaksoiseristetty, joten erillistä maadoitusta ei tarvita. Tarkista aina, että virtalähde vastaa arvokilvessä ilmoitettua jännitettä.

- Tätä laitetta ei ole tarkoitettu nuorten tai hyvin heikkokuntoisten henkilöiden käyttöön ilman valvontaa. Muista, ettei laite ole lasten leikkikalua.
- Jos virtajohto vahingoittuu, sen vaihtaminen tulee turvallisuussyistä jättää valmistajan tai valtuutetun Black & Decker -huollon tehtäväksi.

### Lisäturvaohteet kertakäyttöparistoille

- Älä koskaan yritä avata paristoja.
- Älä säilytä paristoja tiloissa, joissa lämpötila voi nousta yli 40 °C:seen.
- Noudata paristoja hävittäessäsi kohdassa "Ympäristönsuojelu" annettuja ohjeita.

Älä hävitä paristoja polttamalla.

- Vaativissa oloissa voi ilmetä paristovuotoja. Jos huomaat nestettä paristojen pinnalla, toimi seuraavasti:
  - Pyyhi neste varovasti pois liinalla. Vältä ihokosketusta.

### Lisäturvaohteet lasereille



Lue tämä käyttöohje huolellisesti.



Tätä tuotetta ei ole tarkoitettu alle 16-vuotiaiden lasten käyttöön.



Lasersäteily



Älä katso lasersäteeseen.



Älä katso lasersädettä optisilla välineillä.

- Tämä on standardin IEC 60825+A1+A2:2001 mukaan luokan 2 laserilaitte. Älä vaihda laserdiodia muuntotyyppiseen. Jos laser on vioittunut, korjauta se valtuutetussa huoltokorjaamossa.
- Älä käytä laseria muuhun kuin laserlinjojen merkitsemiseen.
- Silmän altistumisen luokan 2 lasersäteelle katsotaan olevan turvallista enintään 0,25 sekunnin ajan. Silmäluomen refleksit ovat yleensä riittävä suoja. Yli 1 metrin etäisyydellä laser on luokan 1 mukainen, joten sen katsotaan olevan täysin turvallinen.
- Älä koskaan katso lasersädettä suoraan ja tarkoituksellisesti.
- Älä katso lasersädettä optisilla välineillä.
- Älä aseta työkalua siten, että lasersäde voi osua henkilöihin pään korkeudella.
- Älä anna lasten tulla laserin lähelle.

### Yleiskuvaus

1. Lukituspainike
2. Virtakytin portaattomalla nopeudensäädöllä
3. Sahanterien säilytyslokero kansi
4. Jalustalevyn lukitusvipu
5. Pölynpoistoaukko
6. Pölynimurisovitin
7. Jalustalevy
8. Terän tukirulla
9. Huoltovapaa terän kiinnike

### Muut ominaisuudet (kuva A)

Hankitussa laitteessa voi olla myös muita ominaisuuksia, jotka on ilmoitettu kuvassa A laitteiden tuotenumeroiden yhteydessä.

### Kokoaminen

**Varoitus!** Ennen kuin yrität suorittaa mitään seuraavista toimenpiteistä, varmista, että työkalun virta on katkaistu, sähköpistoke on irrotettu sähköverkosta ja sahanterä on pysähtynyt. Käytössä olleet sahanterät voivat olla kuumia.

### Sahanterän asentaminen (kuva B)

- Pidä sahanterää (10) kuvassa näytetyllä tavalla hampaat eteenpäin.
- Tartu terän kiinnikkeeseen (9) ja paina sitä alaspäin.
- Työnnä sahanterän varsi teränpitimeen (11) niin pitkälle kuin se menee.
- Vapauta terän kiinnike (9).

### Sahanterän säilytys (kuva D)

Sahanterää (10) voidaan säilyttää työkalun sivussa olevassa säilytyslokerossa.

- ◆ Avaa sahanterien säilytyslokero kansi (3) painamalla kannen yläosassa olevaa kielekettä ja vetämällä kantta ulospäin.
- ◆ Sahanterät kiinnitetään lokeroon magneettiliuskalla. Voit irrottaa terän painamalla sen toista päätä, jolloin toinen pää nousee ylös.
- ◆ Sulje sahanterien säilytyslokero kansi ja varmista, että se lukittu salvoilla.

**Varoitus!** Sulje lokero kansi tiukasti ennen sahan käyttöä.

### Pölynimurin kytkeminen laitteeseen (kuva D)

Pölynimurin tai pölynimulaitteen yhdistämiseksi laitteeseen tarvitaan sovitin. Voit ostaa pölynpoistosovittimen (6) Black & Decker -jälleenmyyjältä.

- ◆ Työnä sovitin (6) pölynpoistoliitäntään (5).
- ◆ Kytke pölynimurin letku sovittimeen (6).

## Käyttö

### Jalustalevyn säätäminen viistosahausta varten (kuvat E ja F)

**Varoitus!** Älä koskaan käytä työkalua, kun jalustalevy on löysällä tai irrotettu.

Jalustalevy (7) voidaan kääntää vasempaan tai oikeaan enintään 45° viistoon kulmaan.

- ◆ Vedä jalustalevyn lukitusvipua (4) ulospäin ja vapauta jalustalevy (7) 0 asteen asennosta (kuva F).
- ◆ Vedä jalustalevyä (7) eteenpäin ja aseta se vinosahaussikkunan avulla 15, 30 tai 45 asteen kulmaan.
- ◆ Lukitse jalustalevy (7) työntämällä jalustalevyn lukitusvipua (4) taaksepäin sahaa kohti.

Jalustalevyn (7) asennon palauttaminen suoria sahauskia varten:

- ◆ Avaa jalustalevy (7) vetämällä jalustalevyn lukitusvipua (4) ulospäin.
- ◆ Säädä jalustalevy (7) noin 0 asteen kulmaan ja työnnä sitä taaksepäin.
- ◆ Lukitse jalustalevy (7) työntämällä jalustalevyn lukitusvipua (4) taaksepäin sahaa kohti.

### Käynnistys ja pysäytys

- ◆ Käynnistä laite painamalla muuttuvanopeuksista virtakytkintä (2).
- ◆ Sammuta laite vapauttamalla muuttuvanopeuksinen virtakytkin (2).
- ◆ Jatkovaa käyttöä varten paina lukituspainiketta (1) ja vapauta virtakytkin (2).
- ◆ Sammuta jatkuvassa käytössä oleva laite painamalla virtakytkintä (2) ja vapauttamalla sen.

### Sahaus

Pitele sahaa tukevasti molemmin käsin sahausajan aikana.

Jalustalevy (7) on painettava lujasti sahattavaa materiaalia vasten. Tällöin saha ei pääse hyppimään ja tärisemään. Näin parhaiten estetään terän katkeaminen.

- ◆ Anna terän liikkua vapaasti muuttaman sekunnin ajan, ennen kuin aloitat sahaamisen.
- ◆ Paina työkalua vain kevyesti, kun leikkaat.

### Laserin käyttäminen (kuvat G–I) (vain L-mallit)

#### Paristojen asentaminen (kuva G)

Irrota lasermoduuli (13) pistosahasta poistamalla ruuvi (12) ja työntämällä lasermoduulia eteenpäin. Aseta pistosahaan kaksi uutta 1,5 voltin AAA-alkaliparistoa ja varmista, että paristojen (+)- ja (-)-navat ovat oikein päin. Kiinnitä lasermoduuli (13) takaisin paikalleen.

#### Laserin säätäminen sivuttaissuunnassa (kuva H)

**Huomautus:** Laser on tarkoitettu avustamaan sahauskassa. Se ei takaa tarkkaa sahausjälkeä.

**Varoitus!** Älä säädä laseria, kun pistosaha on kytkettynä sähköverkkoon.

- ◆ Säädä tarvittaessa laserlinja sahanterän suuntaiseksi laserin säätöruuvien (14) avulla.

Lasersäteen näkyvyys (teho) heikkenee, jos pistosaha ylikuumentuu. Lasersäde ei ehkä näy, jos sahaa on ylikuormitettu pitkäkestoisesti. Lasersäteen näkyvyys palaa hitaasti normaaliiksi, kun työkalu jäähtyy, vaikka työkalu ei ole kytkettynä verkkoon.

**Varoitus!** Älä jätä ylikuumentunutta laseria päälle. Varmista, että kytkin on asennossa OFF ja katkaise laserin virta poistamalla paristot.

#### Laserin käyttäminen (kuvat I ja J)

Laser heijastaa sahauslinjan (17) työkalupaleen pintaan.

- ◆ Käynnistä laser painamalla painiketta (15).
- ◆ Sammuta laser painamalla painiketta (15) uudelleen.

Sahauslinjaa (16) voi helposti seurata katsomalla sitä suoraan pistosahan yläpuolelta. Jos tämä näkyvä on jostakin syystä peittyneenä, laseria voidaan käyttää vaihtoehtoisena sahausohjaimena.

- ◆ Merkitse sahauslinja (16) liijykynällä.
- ◆ Aseta pistosaha viivan (16) päälle.
- ◆ Käynnistä laser.

#### Työvalon käyttäminen (kuvat K ja L) (vain W-mallit)

Mallit, joiden tuotenumerossa on kirjain W, on varustettu terän alueen valaisemiseen tarkoitettulla LED-valolla (18).

- ◆ Kytke työvalo päälle kääntämällä kytkin (19) ON-asentoon (I).
- ◆ Kytke työvalo pois päältä kääntämällä kytkin (19) OFF-asentoon (O).

## Vinkkejä parhaimman tuloksen saamiseksi

### Laminaattien sahaaminen

Laminaattia sahatessa voi esiintyä säilytymistä, mikä voi vahingoittaa käsiteltyä pintaa. Yleisimmin käytetyt sahanterät liikkuvat ylöspäin, joten jos jalustalevy on käsiteltyllä pinnalla, käytä alaspäin liikkuvaa sahanterää tai toimi seuraavasti:

- ◆ Käytä pienihampaista sahanterää.
- ◆ Saha työkalu taustapuolelta.
- ◆ Vähennä säilytymisen riskiä puristamalla palat hukkapuuta tai kovalevyä työkappaleen molemmille puolille ja sahaa kaikkien kerrosten läpi.

### Metallin sahaaminen

Ota huomioon, että metallin sahaaminen kestää pitempään kuin puun.

- ◆ Käytä metallin sahaamiseen sopivaa sahanterää.
- ◆ Kun sahaat ohutta metalliarkkia, purista palat hukkapuuta työkappaleen molemmille puolille ja sahaa kaikkien kerrosten läpi.
- ◆ Levitä ohut kerros öljyä aiotulle sahauslinjalle.

## Huolto

Black & Decker -työkalu on suunniteltu toimimaan mahdollisimman pitkän aikaa mahdollisimman vähällä huollolla. Oikealla huollolla ja säännöllisellä puhdistuksella kone säilyttää suorituskykynsä.

- ◆ Puhdista laitteen ilma-aukot säännöllisesti pehmeällä harjalla tai kuivalla rievulla.
- ◆ Puhdista moottorikotelo säännöllisesti kostealla rievulla. Älä käytä puhdistamiseen liuottimia tai voimakkaita puhdistusaineita. Älä päästä sahan sisään nestettä äläkä upota sitä nesteeseen edes osittain.

## Ympäristö



Erillinen keräys. Tätä tuotetta ei saa hävittää normaalin kotitalousjätteen kanssa.

Kun Black & Decker -laitteesi aikanaan täytyy vaihtaa tai se ei kelpaa enää käyttöön, älä hävitä laitetta kotitalousjätteen mukana. Toimita laite kierrätettäväksi.



Käytettyjen tuotteiden ja pakkausmateriaalien erilliskeruun avulla materiaalit voidaan kierrättää ja käyttää uudelleen. Kierrätysmateriaalien käyttö auttaa vähentämään ympäristön saastumista ja uusien raaka-aineiden tarvetta.

Paikallisissa säädöksissä voidaan määrätä, että kodin sähkötuotteiden keruu tapahtuu kaupunkien jätteidenkäsittelyasemilla tai laitteita myyvissä liikkeissä uuden tuotteen oston yhteydessä.

Kun laitteesi on käytetty loppuun, älä heitä sitä tavallisten roskien mukana pois, vaan vie se paikkakuntasi kierrätyskeskukseen tai jätä valtuutettuun Black & Deckerin huoltoliikkeeseen.

Tiedot valtuutetuista huoltoliikkeistä saa ottamalla yhteyttä Black & Decker Oy:hyn sekä Internetistä osoitteesta [www.2helpU.com](http://www.2helpU.com).



Hävitä loppuun kuluneet paristot ympäristöstävällä tavalla. Poista paristot yllä kuvatulla tavalla.

- ◆ Pakkaa paristot niin, että navat eivät aiheuta oikosulkuja.
- ◆ Voit viedä paristot paikalliseen kierrätyskeskukseen.

### Tekniset tiedot

	KS800E Series
Jännite	Vac 230
Ottoteho	W 520
Kuormittamaton nopeus	min <sup>-1</sup> 0-3000
Suurin sahausvyvyys	
puu	mm 70
teräs	mm 5
alumiini	mm 15
Paino	kg 2,2

## EU:n yhdenmukaisuusilmoitus

KS800E Series

Black & Decker vakuuttaa näiden tuotteiden olevan seuraavien standardien vaatimusten mukaiset: 98/37/EY, 2006/95/ETY, EN 60745, EN 55014, EN61000, IEC 60825+A1+A2:2001

Äänenpainetaso mitattuna EN 60745:n mukaisesti:

Äänenpaine ( $L_{pA}$ ) 89 dB(A), epävarmuus (K) 3 dB(A)

Akustinen teho ( $L_{WA}$ ) 100 dB(A), epävarmuus (K) 3 dB(A)

Tärinän kokonaisarvot (vektorisumma), määritetty

EN 60745 -standardin mukaan:

Leikkauksessa puuta ( $a_{h, CW}$ ) 6,0 m/s<sup>2</sup>, epävarmuus (K) 1,5 m/s<sup>2</sup>

Leikkauksessa metallilevyjä ( $a_{h, CM}$ ) 6,5 m/s<sup>2</sup>,

epävarmuus (K) 1,5 m/s<sup>2</sup>

Kevin Hewitt  
Director of Consumer Engineering  
Spennymoor, County Durham DL16 6JG,  
Iso-Britannia  
01-10-2007

## Takuu

Black & Decker Oy takaa, ettei tuotteessa ollut materiaali- ja/ tai valmistusvikaa silloin, kun se toimitettiin ostajalle. Takuu on lisäys kuluttajan laillisiin oikeuksiin eikä vaikuta niihin. Takuu on voimassa Euroopan unionin jäsenmaissa ja Euroopan vapaakauppa-alueella (EFTA).

Mikäli Black & Decker -tuote hajoaa materiaali- ja/ tai valmistusvirheen tai teknisten tietojen epätarkkuuden vuoksi 24 kk:n kuluessa ostopäivästä, Black & Decker korjaa laitteen ilman kustannuksia ostajalle tai vaihtaa sen uuteen Black & Decker Oy:n valinnan mukaan. Takuu ei kata vikoja, jotka johtuvat laitteen

- ◆ normaalista kulumisesta
- ◆ ylikuormituksesta, virheellisestä käytöstä tai hoidosta
- ◆ vahingoittamisesta vieraalla esineellä tai aineella tai onnettomuustapauksessa.
- ◆ Takuu ei ole voimassa, mikäli laitetta on korjannut joku muu kuin Black & Deckerin valtuuttama huoltoliike.

Edellytyksenä takuun saamiselle on, että ostaja jättää koneen ja ostokuitin jälleenmyyjälle tai valtuutetulle huoltoliikkeelle viimeistään 2 kuukauden kuluessa vian ilmenemisestä. Tiedot valtuutetuista huoltoliikkeistä saa ottamalla yhteyttä Black & Decker Oy:hyn sekä Internetistä osoitteesta

**[www.2helpU.com](http://www.2helpU.com)**, jossa on myös takuehdot.

Rekisteröi uusi Black & Decker -tuotteesi ja katso uusien tuotteiden ja erikoistarjousten tiedot verkkosivuiltamme osoitteesta **[www.blackanddecker.fi](http://www.blackanddecker.fi)**. Katso Black & Decker -tavaramerkin ja tuotevalikoimamme lisätiedot osoitteesta **[www.blackanddecker.fi](http://www.blackanddecker.fi)**.

## Ενδεξιμένη χρήση

Η σέγα σας Black & Decker έχει σχεδιαστεί για το πριόνισμα ξύλου, πλαστικών και μετάλλου. Αυτό το εργαλείο προορίζεται μόνο για ερασιτεχνική χρήση.

## Οδηγίες ασφαλείας

Γενικές προειδοποιήσεις ασφαλείας για τα ηλεκτρικά εργαλεία



**Προειδοποίηση! Διαβάστε όλες τις υποδείξεις και όλες τις οδηγίες.** Η μη τήρηση όλων των υποδείξεων μπορεί να προκαλέσει ηλεκτροπληξία, πυρκαγιά ή/και σοβαρούς τραυματισμούς.

**Φυλάξτε όλες τις προειδοποιήσεις και τις οδηγίες για μελλοντική αναφορά.**

Ο χαρακτηρισμός "ηλεκτρικό εργαλείο" που χρησιμοποιείται σε όλες τις παρακάτω προειδοποιητικές υποδείξεις αφορά ή το εργαλείο που συνδέεται στην πρίζα (με καλώδιο) ή το εργαλείο που λειτουργεί με μπαταρία (χωρίς καλώδιο).

### 1. Ασφάλεια χώρου εργασίας

- a. **Διατηρείτε το χώρο που εργάζεστε καθαρό και καλά φωτισμένο.** Η αταξία στο χώρο που εργάζεστε και τα σημεία χωρίς καλό φωτισμό μπορεί να οδηγήσουν σε ατυχήματα.
- b. **Μη χρησιμοποιείτε ηλεκτρικά εργαλεία σε περιβάλλον όπου υπάρχει κίνδυνος έκρηξης, π.χ. παρουσία εύφλεκτων υγρών, αερίων ή σκόνης.** Τα ηλεκτρικά εργαλεία μπορεί να δημιουργήσουν σπινθηρισμό ο οποίος μπορεί να αναφλέξει τη σκόνη ή τις αναθυμιάσεις.
- c. **Όταν χρησιμοποιείτε το ηλεκτρικό εργαλείο, κρατάτε τα παιδιά και τα υπόλοιπα άτομα μακριά από το χώρο που εργάζεστε.** Σε περίπτωση που άλλα άτομα αποσπάσουν την προσοχή σας μπορεί να χάσετε τον έλεγχο του μηχανήματος.

### 2. Ασφαλής χρήση του ηλεκτρικού ρεύματος

- a. **Το φως του καλωδίου του ηλεκτρικού εργαλείου πρέπει να ταιριάζει στην αντίστοιχη πρίζα. Δεν επιτρέπεται με κανένα τρόπο η μετασκευή του φως. Μη χρησιμοποιείτε προσαρμοστικά φως στα γεωμμένα ηλεκτρικά εργαλεία.** Τα φως που δεν έχουν υποστεί τροποποιήσεις και οι κατάλληλες πρίζες μειώνουν τον κίνδυνο ηλεκτροπληξίας.
- b. **Αποφύγετε την επαφή του σώματός σας με γειωμένες επιφάνειες όπως σωλήνες, θερμαντικά σώματα (καλοριφέρ), κουζίνες και φυγεία.** Όταν το σώμα σας είναι γειωμένο, αυξάνεται ο κίνδυνος ηλεκτροπληξίας.

- c. **Μην εκθέτετε το ηλεκτρικό εργαλείο στη βροχή ή στην υγρασία.** Η διείσδυση νερού στο ηλεκτρικό εργαλείο αυξάνει τον κίνδυνο ηλεκτροπληξίας.
  - d. **Μην κακομεταχειρίζεστε το καλώδιο. Μη χρησιμοποιήσετε ποτέ το καλώδιο για να μεταφέρετε, να τραβήξετε ή να αποσυνδέσετε το εργαλείο από την πρίζα. Κρατάτε το καλώδιο μακριά από υψηλές θερμοκρασίες, λάδια, κοφτερές ακμές ή κινούμενα εξαρτήματα.** Τυχόν χαλασμένα ή μπερδεμένα καλώδια αυξάνουν τον κίνδυνο ηλεκτροπληξίας.
  - e. **Όταν χρησιμοποιείτε το ηλεκτρικό εργαλείο σε εξωτερικούς χώρους, να χρησιμοποιείτε πάντοτε καλώδια προέκτασης κατάλληλα για χρήση σε εξωτερικούς χώρους.** Η χρήση προεκτάσεων κατάλληλων για εργασία σε εξωτερικούς χώρους μειώνει τον κίνδυνο ηλεκτροπληξίας.
  - f. **Εάν η χρήση ενός ηλεκτρικού εργαλείου σε μία υγρή τοποθεσία είναι αναπόφευκτη, χρησιμοποιήστε έναν εξοπλισμό προστατευτικής συσκευής παραμένουτος ρεύματος (RCD). Η χρήση μιας συσκευής RCD μειώνει τον κίνδυνο ηλεκτροπληξίας.**
- ### 3. Ασφάλεια προσώπων
- a. **Όταν χρησιμοποιείτε το ηλεκτρικό εργαλείο, να είστε προσεκτικοί, να δίνετε προσοχή στην εργασία που κάνετε και να επιστρατεύετε την κοινή λογική. Μη χρησιμοποιείτε το ηλεκτρικό εργαλείο όταν είστε κουρασμένοι ή όταν βρισκεστε υπό την επήρεια ναρκωτικών, οινοπνεύματος ή φαρμάκων.** Μια στιγμιαία απροσεξία κατά το χειρισμό του ηλεκτρικού εργαλείου μπορεί να οδηγήσει σε σοβαρούς τραυματισμούς.
  - b. **Να χρησιμοποιείτε εξοπλισμό προσωπικής προστασίας. Να φοράτε πάντα προστατευτικά γυαλιά.** Ο κίνδυνος τραυματισμών μειώνεται όταν χρησιμοποιείτε εξοπλισμό προστασίας, όπως μάσκα προστασίας από σκόνη, αντιολισθητικά παπούτσια ασφαλείας, κράνη ή ωτασπίδες, ανάλογα με τις συνθήκες εργασίας.
  - c. **Προλαμβάνετε την αθέλητη θέση σε λειτουργία του ηλεκτρικού εργαλείου. Βεβαιωθείτε ότι ο διακόπτης λειτουργίας βρίσκεται στη θέση "OFF" πριν συνδέσετε το εργαλείο στην πρίζα και/ή στην μπαταρία, πριν το σηκώσετε ή το μεταφέρετε.** Η μεταφορά ηλεκτρικών εργαλείων με το δάχτυλό σας επάνω στο διακόπτη ή η σύνδεση στην πρίζα ηλεκτρικών εργαλείων με το διακόπτη στη θέση ενεργοποίησης, ενέχει κινδύνους πρόκλησης ατυχημάτων.

- d. Πριν θέσετε το ηλεκτρικό εργαλείο σε λειτουργία, αφαιρέστε τυχόν εργαλεία ή κλειδιά ρύθμισης. Ένα εργαλείο ή κλειδί συναρμολογημένο στο περιστρεφόμενο εξάρτημα ενός ηλεκτρικού εργαλείου μπορεί να προκαλέσει τραυματισμούς.
- e. Μην τεντώνεστε. Φροντίστε πάντοτε να έχετε την κατάλληλη στάση και να διατηρείτε την ισορροπία σας. Αυτό σας επιτρέπει τον καλύτερο έλεγχο του ηλεκτρικού εργαλείου σε περιπτώσεις απροσδόκητων καταστάσεων.
- f. Φοράτε κατάλληλη ενδυμασία εργασίας. Μη φοράτε φαρδιά ρούχα ή κοσμήματα. Κρατάτε τα μαλλιά, τα ενδύματα και τα γάντια σας μακριά από τα κινούμενα εξαρτήματα. Τα φαρδιά ρούχα, τα κοσμήματα και τα μακριά μαλλιά μπορεί να εμπλακούν στα κινούμενα εξαρτήματα.
- g. Αν προβλέπονται διατάξεις απαγωγής και συλλογής της σκόνης, βεβαιωθείτε ότι είναι συνδεδεμένες και ότι χρησιμοποιούνται σωστά. Η χρήση τέτοιων διατάξεων μειώνει τους κινδύνους που προέρχονται από τη σκόνη.
4. Χρήση και συντήρηση του ηλεκτρικού εργαλείου
- a. Μην υπερφορτώνετε το ηλεκτρικό εργαλείο. Χρησιμοποιείτε για την εκάστοτε εργασία σας το ηλεκτρικό εργαλείο που προορίζεται γι' αυτήν. Με το κατάλληλο ηλεκτρικό εργαλείο εργάζεστε καλύτερα και ασφαλέστερα στην ονομαστική περιοχή ισχύος του.
- b. Μη χρησιμοποιήσετε ποτέ ένα ηλεκτρικό εργαλείο του οποίου ο διακόπτης λειτουργίας είναι χαλασμένος. Ένα ηλεκτρικό εργαλείο του οποίου η λειτουργία δεν μπορεί να ελεγχθεί με το διακόπτη είναι επικίνδυνο και πρέπει να επισκευαστεί.
- c. Βγάλτε το φως από την πρίζα και/ή την μπαταρία από το ηλεκτρικό εργαλείο, πριν διεξάγετε κάποια εργασία ρύθμισης, πριν αλλάξετε κάποιο εξάρτημα ή όταν πρόκειται να αποθηκεύσετε τα ηλεκτρικά εργαλεία. Αυτά τα προληπτικά μέτρα ασφαλείας μειώνουν τον κίνδυνο να τεθεί το εργαλείο αθέλητα σε λειτουργία.
- d. Να φυλάτε τα ηλεκτρικά εργαλεία που δεν χρησιμοποιείτε μακριά από παιδιά. Μην αφήνετε άτομα που δεν είναι εξοικειωμένα με το ηλεκτρικό εργαλείο ή που δεν έχουν διαβάσει αυτές τις οδηγίες χρήσης να το χρησιμοποιήσουν. Τα ηλεκτρικά εργαλεία είναι επικίνδυνα όταν χρησιμοποιούνται από άπειρα άτομα.
- e. Να συντηρείτε τα ηλεκτρικά εργαλεία. Ελέγξτε εάν τα κινούμενα μέρη είναι σωστά ευθυγραμμισμένα ή εάν έχουν μπλοκάρει, εάν έχουν σπάσει κομμάτια και εάν πληρούνται όλες οι υπόλοιπες συνθήκες που ενδεχομένως να επηρεάσουν τη σωστή λειτουργία του εργαλείου. Δώστε τυχόν χαλασμένα εξαρτήματα του ηλεκτρικού εργαλείου για επισκευή πριν το χρησιμοποιήσετε πάλι. Η ανεπαρκής συντήρηση των ηλεκτρικών εργαλείων αποτελεί αιτία πολλών ατυχημάτων.
- f. Διατηρείτε τα κοπτικά εργαλεία κοφτερά και καθαρά. Τα κοπτικά εργαλεία με αιχμηρά κοπτικά άκρα που συντηρούνται σωστά έχουν λιγότερες πιθανότητες να μπλοκάρουν και ελέγχονται ευκολότερα.
- g. Να χρησιμοποιείτε τα ηλεκτρικά εργαλεία, τα εξαρτήματα και τα άκρα των εργαλείων κλπ σύμφωνα με τις παρούσες οδηγίες, λαμβάνοντας υπόψη σας τις συνθήκες εργασίας και την εργασία που θέλετε να εκτελέσετε. Η χρήση του ηλεκτρικού εργαλείου για άλλες εκτός από τις προβλεπόμενες εργασίες μπορεί να δημιουργήσει επικίνδυνες καταστάσεις.
5. Σέρβις
- a. Το σέρβις του ηλεκτρικού σας εργαλείου πρέπει να αναλαμβάνει έμπειρος τεχνικός που θα χρησιμοποιεί μόνο γνήσια ανταλλακτικά. Έτσι εξασφαλίζεται η διατήρηση της ασφάλειας του ηλεκτρικού εργαλείου.

#### Συμπληρωματικές προειδοποιήσεις ασφαλείας για τα ηλεκτρικά εργαλεία.



**Προειδοποίηση!** Συμπληρωματικές προειδοποιήσεις ασφαλείας για τις σέγες

- ♦ Κρατάτε το εργαλείο από τις μονωμένες επιφάνειες συγκράτησης όταν εκτελείτε κάποια εργασία κατά την οποία το εργαλείο κοπής μπορεί να έρθει σε επαφή με κρυμμένα καλώδια ή με το δικό του καλώδιο. Η επαφή με ένα καλώδιο υπό τάση θα θέσει τα μεταλλικά μέρη του εργαλείου υπό τάση και θα "τινάξει" το χειριστή.
- ♦ Χρησιμοποιείτε σφικτήρες ή άλλα πρακτικά μέσα για να ασφαλίσετε και να συγκρατήτε το προς επεξεργασία αντικείμενο σε ένα σταθερό πάγκο. Η συγκράτηση του αντικείμενου με το χέρι ή επάνω στο σώμα σας το καθιστά ασταθές και μπορεί να οδηγήσει σε απώλεια του ελέγχου.
- ♦ Μην πλησιάζετε τα χέρια σας στην περιοχή κοπής. Ποτέ μην πλησιάζετε τα χέρια σας κάτω από το υπό επεξεργασία αντικείμενο για οποιονδήποτε λόγο. Μην πλησιάζετε τα δάχτυλα ή τον αντίχειρά σας κοντά στην

παλλόμενη λάμα και το σφιγκτήρα της λάμας. Μη σταθεροποιείτε το πριόνι κρατώντας το από το πόδιλο.

- ◆ **Διατηρείτε τις λάμες κοφτερές.** Οι στομωμένες ή κατεστραμμένες λάμες μπορεί να προκαλέσουν παρέκκλιση του πριονιού ή διακοπή της λειτουργίας του υπό πίεση. Χρησιμοποιείτε πάντα τον κατάλληλο τύπο πριονόλαμας ανάλογα το υλικό του προς επεξεργασία αντικείμενου και τον τύπο κοπής.
- ◆ **Όταν κόβετε σωλήνες ή αγωγούς βεβαιωθείτε ότι δεν περιέχουν νερό, ηλεκτρικές καλωδιώσεις, κλπ.**
- ◆ **Μην αγγίζετε το προς επεξεργασία αντικείμενο ή τη λάμα αμέσως μετά τη χρήση του εργαλείου.** Μπορεί να είναι πολύ ζεστά.
- ◆ **Προσέχετε τους κρυφούς κινδύνους και πριν από την κοπή τοίχων, δαπέδων ή ταβανίων ελέγχετε για τυχόν διερχόμενα καλώδια ή σωλήνες.**
- ◆ **Ο δίσκος συνεχίζει να κινείται και μετά την απελευθέρωση του διακόπτη.** Απενεργοποιείτε πάντα το εργαλείο και περιμένετε να σταματήσει εντελώς ο δίσκος προτού ακουμπήσετε κάτω το εργαλείο.

**Προειδοποίηση!** Η επαφή ή η εισπνοή της σκόνης που δημιουργούν οι εφαρμογές κοπής μπορεί να φέρουν κίνδυνο για την υγεία του χειριστή και των ατόμων που ενδεχομένως παρευρίσκονται. Φορέστε μάσκα σκόνης ειδικά σχεδιασμένη για προστασία έναντι της σκόνης και των αναθυμιάσεων και βεβαιωθείτε ότι τα άτομα που βρίσκονται ή εισέρχονται στο χώρο εργασίας είναι επίσης προστατευμένα.

- ◆ Μετά τη λείανση, καθαρίστε καλά τη σκόνη.
- ◆ Να προσέχετε ιδιαίτερα κατά τη λείανση χρωμάτων, τα οποία ενδέχεται να έχουν ως βάση το μόλυβδο ή κατά τη λείανση ορισμένων ειδών ξύλου και μετάλλου, τα οποία ενδέχεται να παράγουν τοξική σκόνη:
  - Μην επιτρέπετε σε παιδιά ή εγκύους να εισέρχονται στο χώρο εργασίας.
  - Μην τρώτε, πίνετε ή καπνίζετε στο χώρο εργασίας.
  - Συγκεντρώστε όλη τη σκόνη και τα άλλα υπολείμματα και απορρίψτε τα με τον κατάλληλο τρόπο.
- ◆ Αυτό το εργαλείο δεν προορίζεται για χρήση από άτομα (στα οποία περιλαμβάνονται και τα παιδιά) με μειωμένες φυσικές, αντιληπτικές ή διανοητικές ικανότητες, ή άτομα χωρίς εμπειρία και γνώσεις, παρά μόνο εφόσον επιτηρούνται ή τους έχουν δοθεί οδηγίες σχετικά με τη χρήση του εργαλείου από άτομο υπεύθυνο για την ασφάλεια τους. Τα παιδιά πρέπει να επιτηρούνται για να είστε σίγουροι ότι δεν παίζουν με το εργαλείο.
- ◆ Η ενδειγμένη χρήση περιγράφεται σε αυτό το χειρίδιο οδηγιών. Η χρήση οποιουδήποτε αξεσουάρ

ή προσαρτήματος ή η εκτέλεση οποιασδήποτε εργασίας με αυτό το εργαλείο διαφορετικής από αυτές που συστήνονται στο παρόν χειρίδιο οδηγιών ενδέχεται να εγκυμονεί κίνδυνο τραυματισμού και/ή ζημιάς σε ιδιοκτησία.

### Δόνηση

Η δηλωμένη τιμή εκπομπής δόνησης που αναφέρεται στα τεχνικά χαρακτηριστικά και τη δήλωση συμμόρφωσης έχει μετρηθεί σύμφωνα με μια τυποποιημένη μέθοδο δοκιμής που παρέχεται από το πρότυπο EN 60745 και μπορεί να χρησιμοποιηθεί για τη σύγκριση ενός εργαλείου με ένα άλλο. Η δηλωμένη τιμή εκπομπής δόνησης μπορεί επίσης να χρησιμοποιηθεί σε έναν προκαταρκτικό προσδιορισμό της έκθεσης.

**Προειδοποίηση!** Η τιμή εκπομπής δόνησης κατά την πραγματική χρήση του ηλεκτρικού εργαλείου μπορεί να διαφέρει από τη δηλωμένη τιμή ανάλογα με το τρόπο που χρησιμοποιείται το εργαλείο. Η στάθμη δόνησης μπορεί να αυξηθεί πάνω από τη στάθμη που έχει δηλωθεί.

Κατά τον προσδιορισμό της έκθεσης σε δόνηση για τον καθορισμό των απαιτούμενων μέτρων ασφάλειας σύμφωνα με την οδηγία 2002/44/EK για την προστασία προσώπων που χρησιμοποιούν συχνά ηλεκτρικά εργαλεία στην εργασία τους, μια προσεγγιστική εκτίμηση της έκθεσης σε δόνηση πρέπει να λαμβάνει υπόψη τις πραγματικές συνθήκες χρήσης και τον τρόπο χρήσης του εργαλείου, συμπεριλαμβανομένων και όλων των επιμέρους τμημάτων του κύκλου εργασίας, όπως, πόσες φορές τέθηκε το εργαλείο εκτός λειτουργίας, πότε είναι σε λειτουργία χωρίς φορτίο και επιπρόσθετα ο χρόνος πίεσης της σκανδάλης.

### Ετικέτες στο εργαλείο



**Προειδοποίηση!** Για να μειωθεί ο κίνδυνος τραυματισμού, ο χρήστης πρέπει να διαβάσει το χειρίδιο οδηγιών.

### Ασφαλής χρήση του ηλεκτρικού ρεύματος



Αυτό το εργαλείο φέρει διπλή μόνωση, επομένως δεν απαιτείται σύρμα γείωσης. Ελέγχετε πάντοτε αν η τάση τροφοδοσίας αντιστοιχεί σε αυτήν που αναγράφεται στην πινακίδα στοιχείων του εργαλείου.

- ◆ Αυτό το εργαλείο δεν πρέπει να χρησιμοποιηθεί από νέους ή αδύναμα άτομα χωρίς επιτήρηση. Τα παιδιά πρέπει να επιτηρούνται για να είστε σίγουροι ότι δεν παίζουν με το εργαλείο.
- ◆ Αν το καλώδιο ρεύματος έχει υποστεί φθορά, η αντικατάστασή του πρέπει να γίνει από τον κατασκευαστή ή από ένα εξουσιοδοτημένο κέντρο της Black & Decker, ώστε να μην αποτελέσει κίνδυνο.

### Συμπληρωματικές οδηγίες ασφαλείας για μη επαναφορτιζόμενες μπαταρίες

- ◆ Μην επιχειρήσετε ποτέ να ανοίξετε τις μπαταρίες για οποιοδήποτε λόγο.
- ◆ Μη φυλάσσετε τις μπαταρίες σε μέρη όπου η θερμοκρασία μπορεί να υπερβεί τους 40 °C.
- ◆ Όταν απορρίπτετε τις μπαταρίες, ακολουθήστε τις οδηγίες που δίνονται στην ενότητα "Προστασία του περιβάλλοντος".

Μην αποτεφρώνετε τις μπαταρίες.

- ◆ Κάτω από ακραίες συνθήκες, μπορεί να επέλθει διαρροή υγρών μπαταρίας. Αν παρατηρήσετε υγρό πάνω στις μπαταρίες, ενεργήστε ως εξής:
  - Σκουπίστε προσεκτικά το υγρό, χρησιμοποιώντας ένα πανί. Αποφύγετε την επαφή με το δέρμα.

### Συμπληρωματικές οδηγίες ασφαλείας για τα λέιζερ



Διαβάστε ολόκληρο το εγχειρίδιο προσεκτικά.



Αυτό το προϊόν δεν πρέπει να χρησιμοποιείται από παιδιά κάτω των 16 ετών.



Ακτινοβολία λέιζερ.



Μην κοιτάτε κατευθείαν τη δέσμη ακτίνων λέιζερ.



Μη χρησιμοποιείτε οπτικά εργαλεία για να δείτε την δέσμη λέιζερ.

- ◆ Αυτή η συσκευή λέιζερ συμμορφώνεται με την κλάση 2 σύμφωνα με το πρότυπο IEC 60825+A1+A2:2001. Μην αντικαταστήσετε μία δίοδο λέιζερ με μια άλλη διαφορετικού τύπου. Αν το λέιζερ χαλάσει, δώστε τη συσκευή να επιδιορθωθεί από ένα εξουσιοδοτημένο αντιπρόσωπο επισκευών.
- ◆ Μη χρησιμοποιείτε το λέιζερ για άλλο σκοπό εκτός από την προβολή γραμμών λέιζερ.
- ◆ Η έκθεση του ματιού σε μια δέσμη ακτίνων λέιζερ κλάσης 2 θεωρείται ασφαλής για μέγιστη διάρκεια 0.25 δευτερολέπτων. Τα αντανακλαστικά των βλεφάρων παρέχουν κανονικά επαρκή προστασία. Σε αποστάσεις μεγαλύτερες από 1m, η ακτινοβολία λέιζερ συμμορφώνεται με την κλάση 1 και επομένως θεωρείται εντελώς ασφαλής.
- ◆ Μην κοιτάτε ποτέ σκόπιμα, κατευθείαν μέσα στη δέσμη λέιζερ.
- ◆ Μη χρησιμοποιείτε οπτικά εργαλεία για να δείτε τη δέσμη ακτίνων λέιζερ.

- ◆ Μην ρυθμίζετε το εργαλείο σε μέρος όπου η δέσμη λέιζερ μπορεί να διασταυρωθεί με οποιοδήποτε άτομο στο ύψος του κεφαλιού.
- ◆ Μην αφήνετε τα παιδιά να έρχονται κοντά στο λέιζερ.

### Χαρακτηριστικά

1. Κομπτί συνεχόμενης λειτουργίας
2. Διακόπτης on/off μεταβλητής ταχύτητας
3. Κάλυμμα θήκης αποθήκευσης πριονόλαμας
4. Μοχλός κλειδώματος πέλδου
5. Στόμιο απαγωγής σκόνης
6. Προσαρμογέας εξαγωγής σκόνης
7. Πέλδου
8. Ράουλο βάσης πριονόλαμας
9. Σφιγκτήρας λάμας χωρίς εργαλείο

### Επιπρόσθετα χαρακτηριστικά (εικ. Α)

Μπορεί να ισχύουν επιπρόσθετα χαρακτηριστικά ανάλογα με το μοντέλο που αγοράσατε. Τα ισχύοντα επιπρόσθετα χαρακτηριστικά για τον αριθμό καταλόγου που αγοράσατε υποδεικνύονται στην εικ. Α.

### Συναρμολόγηση

**Προειδοποίηση!** Πριν επιχειρήσετε κάποια από αυτές τις εργασίες, βεβαιωθείτε ότι εργαλείο είναι απενεργοποιημένο και απουσυνδεδεμένο από την πρίζα και ότι η πριονόλαμα είναι σταματημένη. Οι πριονόλαμες μετά από χρήση μπορεί να είναι ζεστές.

### Τοποθέτηση της πριονόλαμας (εικ. Β)

- ◆ Κρατήστε την πριονόλαμα (10) όπως υποδεικνύεται, με τα δόντια να κοιτούν προς τα εμπρός.
- ◆ Πιέστε και κρατήστε πατημένο κάτω το σφιγκτήρα της λάμας (9).
- ◆ Τοποθετήστε το στέλεχος της πριονόλαμας μέσα στην υποδοχή της λάμας (11) όσο βαθιά πάει.
- ◆ Ελευθερώστε το μοχλό (9).

### Αποθήκευση της πριονόλαμας (εικ. C)

Οι πριονόλαμες (10) μπορούν να αποθηκεύονται στη θήκη αποθήκευσης στο πλαινό μέρος του εργαλείου.

- ◆ Ανοίξτε το κάλυμμα (3) της υποδοχής αποθήκευσης πριονόλαμας πιάνοντας το γλωσσίδι στο επάνω μέρος του καλύμματος (3) και τραβώντας το προς τα έξω.
- ◆ Οι λάμες συγκρατούνται στη θήκη με μια μαγνητική ταινία. Για να αφαιρέσετε μια λεπίδα, πιέστε στο ένα άκρο της λεπίδας για να ανασηκώσετε το άλλο άκρο και αφαιρέστε την.
- ◆ Κλείστε το κάλυμμα (3) της θήκης αποθήκευσης πριονόλαμας και βεβαιωθείτε ότι ασφάλισε στην κλειστή θέση.

**Προειδοποίηση!** Κλείστε καλά το κάλυμμα της θήκης πριν λειτουργήσετε το πριόνι.



**Σύνδεση ηλεκτρικής σκούπας στο εργαλείο (εικ. D)**

Απαιτείται ένας προσαρμογέας για τη σύνδεση μιας ηλεκτρικής σκούπας ή ενός απαγωγού σκόνης επάνω στο εργαλείο. Μπορείτε να αγοράσετε τον προσαρμογέα εξαγωγής σκόνης (6) από τον τοπικό σας έμπορο Black & Decker.

- ◆ Σπρώξτε τον προσαρμογέα (6) μέσα από το στόμιο απαγωγής σκόνης (5).
- ◆ Συνδέστε τον ελαστικό σωλήνα της σκούπας στον προσαρμογέα (6).

**Χρήση****Ρύθμιση του πέδιλου για λοξές κοπές (εικ. E και F)**

**Προειδοποίηση!** Μην χρησιμοποιείτε ποτέ το εργαλείο όταν το πέδιλο έχει χαλαρώσει ή έχει αφαιρεθεί.

Το πέδιλο (7) μπορεί να ρυθμιστεί για δεξιά ή αριστερή λοξή κοπή σε γωνία μέχρι 45°.

- ◆ Τραβήξτε το μοχλό κλειδώματος του πέδιλου (4) προς τα έξω για να απασφαλίσετε το πέδιλο (7) από τη θέση των 0 μοίρων (εικ. F).
- ◆ Τραβήξτε το πέδιλο (7) εμπρός και ρυθμίστε την απαιτούμενη λοξή κοπή 15°, 30° και 45° που υποδεικνύεται στο παράθυρο λοξής κοπής.
- ◆ Σπρώξτε το μοχλό κλειδώματος του πέδιλου (4) πίσω προς το εργαλείο μέχρι να κλειδώσει το πέδιλο (7).

Για να ρυθμίσετε πάλι το πέδιλο (7) για ευθείες τομές:

- ◆ Τραβήξτε το μοχλό κλειδώματος του πέδιλου (4) έξω για να απασφαλίσετε το πέδιλο (7).
- ◆ Ρυθμίστε το πέδιλο (7) σε γωνία 0° και έπειτα σπρώξτε το προς τα πίσω.
- ◆ Σπρώξτε το μοχλό κλειδώματος του πέδιλου (4) πίσω προς το εργαλείο μέχρι να κλειδώσει το πέδιλο (7).

**Ενεργοποίηση και απενεργοποίηση του εργαλείου**

- ◆ Για να ενεργοποιήσετε το εργαλείο, πιάστε το διακόπτη μεταβλητής ταχύτητας on/off (2).
- ◆ Για να απενεργοποιήσετε το εργαλείο, πιάστε το διακόπτη μεταβλητής ταχύτητας on/off (2).
- ◆ Για συνεχή λειτουργία, πατήστε το κουμπί συνεχόμενης λειτουργίας (1) και αφήστε ελεύθερο το διακόπτη on/off (2).
- ◆ Για να απενεργοποιήσετε το εργαλείο κατά τη συνεχή λειτουργία, πατήστε και αφήστε το διακόπτη on/off (2).

**Πριόνισμα**

Κατά την κοπή, κρατάτε το εργαλείο καλά και με τα δύο χέρια.

Το πέδιλο (7) θα πρέπει να πιέζεται με δύναμη επάνω στο προς κοπή υλικό. Κάτι τέτοιο αποτρέπει τις αναπηδήσεις του πριονιού, μειώνει τις δονήσεις και ελαχιστοποιεί τις σπασμένες λάμες.

- ◆ Αφήστε τη λάμα να κινηθεί ελεύθερα για λίγα δευτερόλεπτα προτού ξεκινήσετε την κοπή.
- ◆ Κατά την εκτέλεση της κοπής, εφαρμόζετε μόνο μικρή πίεση στο εργαλείο.

**Λειτουργία του λέιζερ (εικ. G - I) (μονάδες 'L' μόνο)****Τοποθέτηση των μπαταριών (εικ. G)**

Αποσυναρμολογήστε την υπομονάδα λέιζερ (13) από τη σέγα αφαιρώντας τη βίδα (12) και σπρώχνοντας τη μονάδα λέιζερ προς τα εμπρός. Τοποθετήστε δύο καινούργιες αλκαλικές μπαταρίες 1.5 Volt AAA, φροντίζοντας να ταίριαζε τους πόλους (+) και (-) σωστά. Επανασυνδέστε τη μονάδα λέιζερ (13).

**Ρύθμιση του λέιζερ πλάι με πλάι (εικ. H)**

**Σημείωση:** Το λέιζερ προορίζεται για βοήθεια κατά την κοπή και δεν εξασφαλίζει την ακρίβεια της κοπής.

**Προειδοποίηση!** Μην ρυθμίζετε το λέιζερ με τη σέγα στην πρίζα.

- ◆ Χρησιμοποιήστε τη βίδα ρύθμισης του λέιζερ (14) για να ευθυγραμμίσετε τη γραμμή λέιζερ με την πριονόλαμα, αν χρειάζεται.

Η ορατότητα λέιζερ (ισχύς) ελαττώνεται όταν η σέγα υπερθερμανθεί. Το λέιζερ μπορεί να μην είναι ορατό όταν το πριόνι έχει υπερφορτωθεί για μια παρατεταμένη χρονική περίοδο. Η ορατότητα λέιζερ θα επανέλθει βαθμιαία στα φυσιολογικά επίπεδα μόνο όταν το εργαλείο κρυώσει ακόμη και αν αυτό δεν είναι στην πρίζα.

**Προειδοποίηση!** Μην αφήνετε το υπερφορτωμένο λέιζερ στη θέση ON. Βεβαιωθείτε ότι ο διακόπτης είναι στη θέση OFF και αφαιρέστε τις μπαταρίες για να διακόψετε την παροχή ισχύος στο λέιζερ.

**Χρήση του λέιζερ (εικ. I και J)**

Το λέιζερ προβάλλει τη γραμμή κοπής (17) πάνω στην επιφάνεια του αντικειμένου υπό επεξεργασία.

- ◆ Για να ενεργοποιήσετε το λέιζερ, πατήστε το κουμπί (15).
- ◆ Για να απενεργοποιήσετε το λέιζερ, ξαναπατήστε το κουμπί (15).

Βλέποντας κατευθείαν πάνω από τη σέγα, είναι εύκολη η παρακολούθηση της γραμμής κοπής (16). Εάν για οποιοδήποτε λόγο η ορατότητα περιορίζεται, το λέιζερ μπορεί να χρησιμοποιηθεί σαν εναλλακτικός οδηγός κοπής.

- ◆ Χρησιμοποιήστε ένα μολύβι για να σηματοθετήσετε τη γραμμή κοπής (16).
- ◆ Τοποθετήστε τη σέγα πάνω από τη γραμμή (16).
- ◆ Ενεργοποιήστε το λέιζερ.

## Λειτουργία του φωτός εργασίας (εικ. Κ και Λ) (μονάδες 'W' μόνο)

Οι μονάδες που περιλαμβάνουν ένα 'W' στον αριθμό καταλόγου είναι εξοπλισμένες με μια λυχνία LED (18) για να φωτίζεται η περιοχή γύρω από τη λεπίδα.

- ◆ Για να ενεργοποιήσετε το φως εργασίας, μετατοπίστε το διακόπτη (19) στη θέση on (I).
- ◆ Για να απενεργοποιήσετε το φως εργασίας, μετατοπίστε το διακόπτη (19) στη θέση off (0).

## Συμβουλές για άριστη χρήση

### Πριόνισμα ελασμάτων

Κατά το κόψιμο ελασμάτων μπορεί να επέλθει σχίσσιμο που θα καταστρέψει την εμφάνιση της επιφάνειας. Οι πιο κοινές πριονόλαμες κόβουν κατά τη διαδρομή προς τα πάνω, συνεπώς εάν το πέδιλο είναι σε επαφή με την επιφάνεια που φαίνεται είτε χρησιμοποιείτε μια πριονόλαμα η οποία κόβει κατά τη διαδρομή προς τα κάτω είτε:

- ◆ Χρησιμοποιείτε μια πριονόλαμα με λεπτά δόντια.
- ◆ Πριονίζετε από την πίσω επιφάνεια του αντικειμένου υπό επεξεργασία.
- ◆ Για να ελαχιστοποιήσετε το σχίσσιμο, στερεώστε με το σφιγκτήρα ένα κομμάτι άχρηστου ξύλου ή κόντρα πλακέ και στις δύο πλευρές του αντικειμένου υπό επεξεργασία και πριονίστε ανάμεσα σε αυτό το σάντουιτς.

### Πριόνισμα μετάλλου

Να ξέρετε ότι το πριόνισμα μετάλλου παίρνει πολύ παραπάνω χρόνο από το πριόνισμα ξύλου.

- ◆ Χρησιμοποιείτε μια πριονόλαμα κατάλληλη για το πριόνισμα μετάλλου.
- ◆ Όταν κόβετε λεπτά μεταλλικά ελάσματα, στερεώστε με το σφιγκτήρα ένα κομμάτι άχρηστου ξύλου στην πίσω επιφάνεια του αντικειμένου υπό επεξεργασία και κόψτε ανάμεσα σε αυτό το σάντουιτς.
- ◆ Απλώστε ένα λεπτό στρώμα λαδιού κατά μήκος της γραμμής που σκοπεύετε να κόψετε.

## Συντήρηση

Αυτό το εργαλείο της Black & Decker έχει σχεδιαστεί έτσι ώστε να λειτουργεί για μεγάλο χρονικό διάστημα με την ελάχιστη δυνατή συντήρηση. Η αδιάλειπτη και ικανοποιητική λειτουργία του εργαλείου εξαρτάται από τη φροντίδα και τον τακτικό καθαρισμό.

- ◆ Καθαρίζετε τακτικά τις εγκοπές εξερισμού του εργαλείου με μια μαλακή βούρτσα ή με ένα στεγνό πανί.
- ◆ Να καθαρίζετε τακτικά το περιβλήμα του μοτέρ με ένα καθαρό και υγρό πανί. Μη χρησιμοποιείτε λειαντικά καθαριστικά ή υγρά καθαρισμού που περιέχουν

διαλυτικά. Μην επιτρέψετε ποτέ να εισέλθει υγρό στο εσωτερικό του εργαλείου και μη βυθίσετε ποτέ οποιοδήποτε εξάρτημα του εργαλείου σε υγρό.

## Προστασία του περιβάλλοντος



Επιλεκτική περισυλλογή. Αυτό το προϊόν δεν πρέπει να απορρίπτεται μαζί με τα κοινά οικιακά απορρίμματα.

Εάν κάποιο μέρα διαπιστώσετε ότι το προϊόν σας Black & Decker χρειάζεται αντικατάσταση, ή ότι δεν το χρειάζεστε άλλο, μην το απορρίψετε μαζί με τα κοινά οικιακά απορρίμματα, αλλά κάντε αυτό το προϊόν διαθέσιμο για ανεξάρτητη αποκομιδή.



Η ανεξάρτητη συλλογή των μεταχειρισμένων προϊόντων και των υλικών συσκευασίας δίνει τη δυνατότητα ανακύκλωσης και επαναχρησιμοποίησης των υλικών. Με την επαναχρησιμοποίηση των ανακυκλωμένων υλικών αποτρέπεται η μόλυνση του περιβάλλοντος και μειώνεται η ζήτηση πρώτων υλών.

Οι κανονισμοί που ισχύουν στην περιοχή σας ενδέχεται να προβλέπουν την επιλεκτική περισυλλογή των ηλεκτρικών συσκευών που προέρχονται από νοικοκυριά σε κρατικές εγκαταστάσεις ή από τον έμπορο όταν αγοράσετε ένα καινούργιο προϊόν.

Η Black & Decker δίνει τη δυνατότητα ανακύκλωσης των προϊόντων της που έχουν συμπληρώσει τη διάρκεια ζωής τους. Για να χρησιμοποιήσετε αυτήν την υπηρεσία, επιστρέψτε το προϊόν σας σε οποιοδήποτε εξουσιοδοτημένο κέντρο επισκευών, όπου θα το παραλάβουν εκ μέρους μας.

Ενημερωθείτε για το πλησιέστερο εξουσιοδοτημένο κέντρο επισκευών της περιοχής σας, επικοινωνώντας με τα γραφεία της Black & Decker στη διεύθυνση που αναγράφεται στο εγχειρίδιο. Επίσης, για να πληροφορηθείτε για τα εξουσιοδοτημένα κέντρα επισκευών της Black & Decker και τους αρμόδιους των υπηρεσιών που παρέχονται μετά την πώληση, μπορείτε να ανατρέξετε στο Διαδίκτυο, στη διεύθυνση: [www.2helpU.com](http://www.2helpU.com).



Στο τέλος της χρήσιμης ζωής τους, αποβάλλετε τις μπαταρίες με την πρέπουσα φροντίδα για το περιβάλλον μας. Αφαιρέστε τις μπαταρίες όπως περιγράφεται παραπάνω.

- ◆ Τοποθετήστε τις μπαταρίες σε κατάλληλη συσκευασία, ώστε να είναι αδύνατο το βραχυκύκλωμα των πόλων.
- ◆ Παραδώστε τις μπαταρίες σε έναν τοπικό σταθμό ανακύκλωσης.

**Τεχνικά χαρακτηριστικά**

Σειρά KS800E	
Τάση	Vac 230
Ονομαστική είσοδος	W 520
Ταχύτητα χωρίς φορτίο	min <sup>-1</sup> 0-3000
Μέγιστο βάθος κοπής	
Ξύλο	mm 70
Χάλυβας	mm 5
Αλουμίνιο	mm 15
Βάρος	kg 2,2

**Δήλωση συμμόρφωσης με την Ευρωπαϊκή Κοινότητα**

Σειρά KS800E

Η Black & Decker δηλώνει ότι τα προϊόντα αυτά συμμορφώνονται με:

98/37/EK, 2006/95/EOK, EN 60745, EN 55014, EN61000, IEC 60825+A1+A2:2001

Στάθμη ηχητικής πίεσης, μετρημένης σύμφωνα με το πρότυπο EN 60745:

Ηχητική πίεση ( $L_{pA}$ ) 89 dB(A), αβεβαιότητα (K) 3 dB(A)

Ακουστική ισχύς ( $L_{WA}$ ) 100 dB(A), αβεβαιότητα (K) 3 dB(A)

Οι συνολικές τιμές δόνησης (διανυσματικό άθροισμα τριών αξόνων) καθορίστηκαν σύμφωνα με το πρότυπο EN 60745:

Κοπή ξύλου ( $a_{h, CW}$ ) = 6,0 m/s<sup>2</sup>, αβεβαιότητα (K) 1,5 m/s<sup>2</sup>

Κοπή μεταλλικών ελασμάτων ( $a_{h, CM}$ ) 6,5 m/s<sup>2</sup>, αβεβαιότητα (K) 1,5 m/s<sup>2</sup>



Kevin Hewitt

Διευθυντής Εξυπηρέτησης Πελατών  
Spennymoor, County Durham DL16 6JG,  
Ηνωμένο Βασίλειο  
01-10-2007

ελαττωματικών τμημάτων, την επισκευή προϊόντων που έχουν υποστεί εύλογη φθορά λόγω χρήσης ή την αντικατάσταση των προϊόντων προκειμένου να εξασφαλίσει την ελάχιστη ενόχληση στους πελάτες της, εκτός εάν:

- Το προϊόν έχει χρησιμοποιηθεί σε εργασιακό, επαγγελματικό περιβάλλον ή αν έχει εννοικιαστεί.
- Έχει γίνει εσφαλμένη χρήση του προϊόντος ή έχει παραμεληθεί.
- Το προϊόν έχει υποστεί βλάβη από άλλα αντικείμενα, από ουσίες ή λόγω ατυχήματος.
- Έχει γίνει προσπάθεια επισκευής από μη εξουσιοδοτημένα κέντρα επισκευών ή από προσωπικό που δεν ανήκει στο προσωπικό της Black & Decker.

Για να ισχύσει η εγγύηση, πρέπει να υποβάλετε απόδειξη αγοράς στον πωλητή ή το εξουσιοδοτημένο κέντρο επισκευών. Ενημερωθείτε για το πλησιέστερο εξουσιοδοτημένο κέντρο επισκευών της περιοχής σας, επικοινωνώντας με τα γραφεία της Black & Decker στη διεύθυνση που αναγράφεται στο εγχειρίδιο. Επίσης, για να πληροφορηθείτε για τα εξουσιοδοτημένα κέντρα επισκευών της Black & Decker και τους αρμόδιους των υπηρεσιών που παρέχονται μετά την πώληση, μπορείτε να ανατρέξετε στο Διαδίκτυο, στη διεύθυνση:

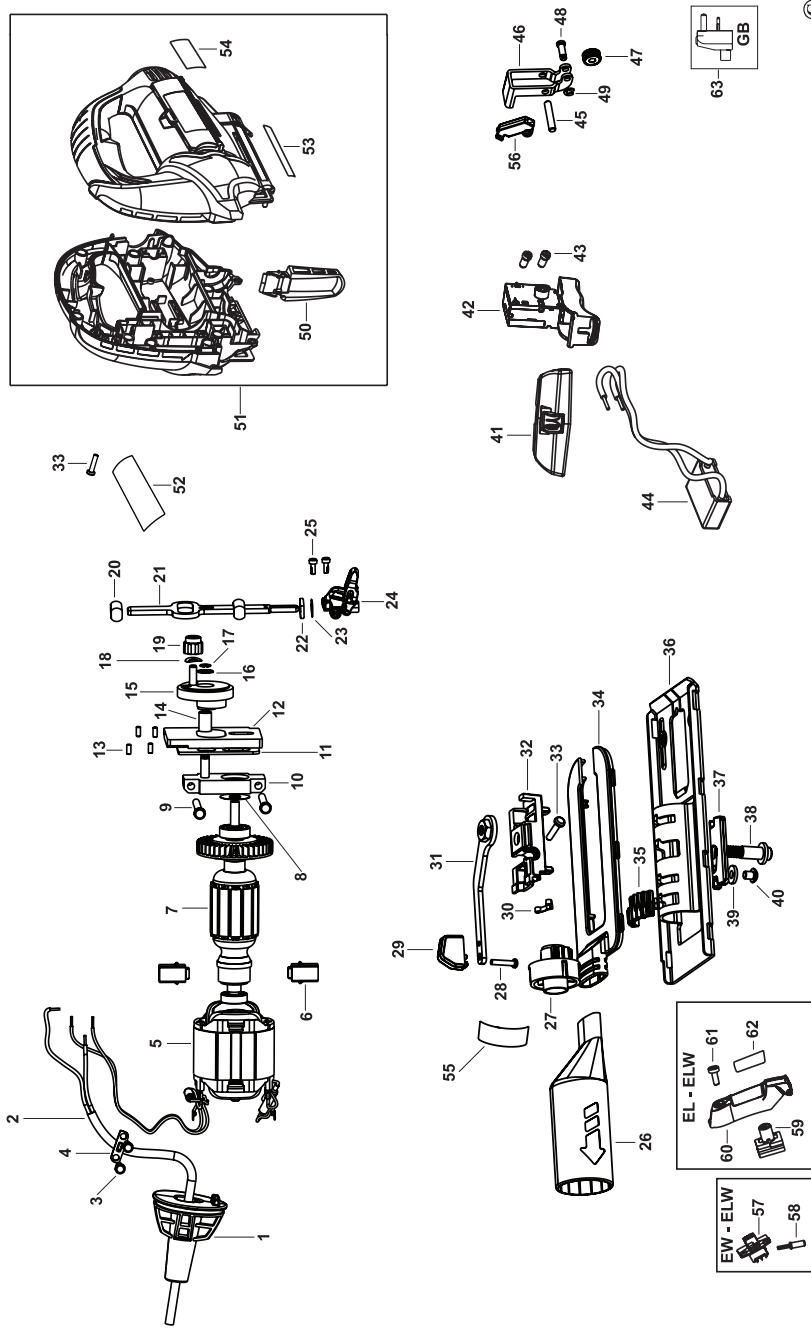
[www.2helpU.com](http://www.2helpU.com)

Παρακαλούμε επισκεφθείτε την ιστοσελίδα μας [www.blackanddecker.eu](http://www.blackanddecker.eu) για να καταχωρήσετε το νέο σας προϊόν Black & Decker και για να ενημερωέστε για τα νέα προϊόντα και τις ειδικές προσφορές. Περισσότερες πληροφορίες σχετικά με τη μάρκα Black & Decker και τη σειρά των προϊόντων μας θα βρείτε στη διεύθυνση [www.blackanddecker.eu](http://www.blackanddecker.eu).

**Εγγύηση**

Η Black & Decker είναι σίγουρη για την ποιότητα των προϊόντων της και παρέχει σημαντική εγγύηση. Η παρούσα γραπτή εγγύηση αποτελεί πρόσθετο δικαίωμά σας και δεν ζημιώνει τα νόμιμα δικαιώματά σας. Η εγγύηση ισχύει εντός της επικράτειας των Κρατών Μελών της Ευρωπαϊκής Ένωσης και της Ευρωπαϊκής Ζώνης Ελευθέρων Συναλλαγών.

Σε περίπτωση που κάποιο προϊόν της Black & Decker παρουσιάσει βλάβη εξαιτίας ελαττωματικών υλικών, ποιότητας εργασίας ή έλλειψης συμφωνίας με τις προδιαγραφές εντός 24 μηνών από την ημερομηνία αγοράς, η Black & Decker εγγυάται την αντικατάσταση των



<b>België/Belgique</b>	Black & Decker (Belgium) N.V. Nieuwlandlaan 7, I.Z. Aarschot B156 3200 Aarschot	Tel. 016 68 91 00 Fax 016 68 91 11
<b>Danmark</b>	Black & Decker Sluseholmen 2-4, 2450 København SV Internet: <a href="http://www.blackanddecker.dk">www.blackanddecker.dk</a>	Tel. 70 20 15 10 Fax 70 22 49 10
<b>Deutschland</b>	Black & Decker GmbH Black & Decker Str. 40, D - 65510 Idstein	Tel. 06126/21 - 0 Fax 06126/21 29 80
<b>Ελλάδα</b>	Black & Decker (Ελλάς) A.E. Στράβωνος 7 & Λεωφ. Βουλιαγμένης 159 166 74 Γλυφάδα - Αθήνα	Τηλ. 210 8981616 Φαξ 210 8983285 <a href="http://www.blackanddecker.eu">www.blackanddecker.eu</a>
<b>España</b>	Black & Decker Ibérica, S.C.A. Parc de Negocis "Mas Blau" Edificio Muntadas, c/Bergadá, 1, Of. A6 08820 El Prat de Llobregat (Barcelona)	Tel. 934 797 400 Fax 934 797 419
<b>France</b>	Black & Decker (France) S.A.S. 5 allée des Hêtres, B.P. 30084 69579 Limonest Cédex	Tel. 04 72 20 39 20 Fax 04 72 20 39 00
<b>Helvetia</b>	ROFO AG Gewerbezone Seeblick 3213 Kleinbödingen	Tel. 026-6749391 Fax 026-6749394
<b>Italia</b>	Black & Decker Italia SpA Viale Elvezia 2 20052 Monza (MI)	Tel. 039-23871 Fax 039-2387592/2387594 Numero verde 800-213935
<b>Nederland</b>	Black & Decker Benelux Joulehof 12, 4622 RG Bergen op Zoom	Tel. 0164 - 283000 Fax 0164 - 283100
<b>Norge</b>	Black & Decker (Norge) A/S Postboks 4814, Nydalen, 0422 Oslo Internet: <a href="http://www.blackanddecker.no">www.blackanddecker.no</a>	Tlf. 22 90 99 00 Fax 22 90 99 01
<b>Österreich</b>	Black & Decker Vertriebsges.m.b.H Oberlaaerstraße 246, A1100 Wien	Tel. 01 66116-0 Fax 01 66116-14
<b>Portugal</b>	Black & Decker Rua Egas Moniz 173 S. João do Estoril 2766-651 Estoril	Tel. 214667500 Fax 214667580
<b>Suomi</b>	Black & Decker Oy Keilasatama 3, 02150 Espoo Black & Decker Oy, Kägelhamnen 3, 02150 Esbo	Puh. 010 400 430 Faksi (09) 2510 7100 Tel. 010 400 430 Fax (09) 2510 7100
<b>Sverige</b>	Black & Decker AB Box 94, 431 22 Mölndal	Tel. 031 68 60 60 Fax 031 68 60 80
<b>United Kingdom</b>	Black & Decker 210 Bath Road Slough, Berkshire SL1 3YD	Tel. 01753 511234 Fax 01753 551155 Helpline 01753 574277
<b>Middle East &amp; Africa</b>	Black & Decker (Overseas) A.G. PB 5420, Dubai, United Arab Emirates	Tel. +971 4 2826464 Fax +971 4 2826466



Dealer address  
Händleradresse  
Cachet du revendeur  
Indirizzo del rivenditore  
Adres van de dealer  
Dirección del detallista  
Morada do revendedor  
Återförsäljarens adress  
Forhandlerens adresse  
Forhandler adresse  
Jälleenmyyjän osoite  
Διεύθυνση αντιπροσώπου

◆ Name ◆ Name ◆ Nom ◆ Nome  
◆ Naam ◆ Nombre ◆ Nome ◆ Namn  
◆ Navn ◆ Nimi ◆ Διεύθυνση:

◆ Address ◆ Adresse ◆ Indirizzo ◆  
Adres ◆ Dirección ◆ Morada ◆ Address ◆  
Adresse ◆ Adresse ◆ Osoite ◆ Διεύθυνση:

◆ Town ◆ Ort ◆ Ville ◆ Città ◆ Plaats  
◆ Ciudad ◆ Localidade ◆ Ort ◆ By  
◆ Paikkakunta ◆ Πόλη:

◆ Postal code ◆ Postleitzahl ◆ Code postal  
◆ Codice postale ◆ Postcode  
◆ Código ◆ Código postal ◆ Postnr.  
◆ Postnr. ◆ Postnr. ◆ Postnummero  
◆ Κωδικός

Date of purchase  
Kaufdatum  
Date d'achat  
Data d'acquisto  
Aankoopdatum  
Fecha de compra  
Data de compra  
Inköpsdatum  
Imkijöpsdato  
Indkøbsdato  
Ostopäivä  
Ημερομηνία αγοράς

◆ Yes ◆ Ja ◆ Oui ◆ Si ◆ Ja ◆ Si  
◆ Sim ◆ Ja ◆ Ja ◆ Ja ◆ Kyllä ◆ Nai

◆ No ◆ Nein ◆ Non ◆ No ◆ Nee  
◆ No ◆ Não ◆ Nej ◆ Nei ◆ Nej  
◆ Ei ◆ Oyi

◆ Dealer address ◆ Händleradresse  
◆ Cachet du revendeur ◆ Indirizzo del  
rivenditore ◆ Adres van de dealer  
◆ Dirección del detallista ◆ Morada do  
revendedor ◆ Återförsäljarens adress  
◆ Forhandlerens adresse ◆ Forhandler adresse  
◆ Jälleenmyyjän osoite  
◆ Διεύθυνση αντιπροσώπου

Cat. no.:



◆ Is this tool a gift? ◆ Ist dieses Gerät ein  
Geschenk? ◆ S'agit-il d'un cadeau? ◆ Si tratta  
di un regalo? ◆ Kreeg u de machine als cadeau?  
◆ ¿Ha recibido usted esta herramienta como  
regalo? ◆ Recebeu esta ferramenta como  
presente? ◆ Är verktyget en gåva?  
◆ Er verktyget en gave? ◆ Er verktojet en  
gave? ◆ Onko kone lahja? ◆ Το εργαλείο είναι δώρο?

◆ Yes ◆ Ja ◆ Oui ◆ Si ◆ Ja ◆ Si  
◆ Sim ◆ Ja ◆ Ja ◆ Ja ◆ Kyllä ◆ Nai  
 ◆ No ◆ Nein ◆ Non ◆ No ◆ Nee  
◆ No ◆ Não ◆ Nej ◆ Nei ◆ Nej  
◆ Ei ◆ Oyi

◆ Is this tool your first purchase? ◆ Ist dieses  
Gerät ein Erstkauf? ◆ Est-ce un 1er achat?  
◆ Questo prodotto è il suo primo acquisto?  
◆ Is deze machine uw eerste aankoop?  
◆ ¿Es esta herramienta la primera de este tipo?  
◆ Esta herramienta é a primeira compra?  
◆ Är detta ditt första B&D-verktyg? ◆ Er dette  
ditt første B&D verktoy? ◆ Er dette dit første  
B&D verktoej? ◆ Onko tämä ensimmäinen B&D-  
koneesi? ◆ Είναι το εργαλείο αυτό η πρώτη  
σας αγορά? ◆

◆ Data protection act: Tick the box if you prefer  
not to receive further information.  
◆ Bitte ankreuzen, falls Sie keine weiteren  
Informationen erhalten möchten. ◆ Si vous ne  
souhaitez pas recevoir d'informations, cochez  
cette case. ◆ Barrate la casella se non  
desiderate ricevere informazioni.  
◆ A.u.b. dit vakje aankruisen indien u geen  
informatie wenst te ontvangen.  
◆ Señale en la casilla sino quiere recibir  
información. ◆ Por favor, assinale com uma  
cruz se não desejar receber informação.  
◆ Vänligen kryssa för i rutan om Ni inte vill ha  
information.  
◆ Vennligst kryss av dersom du ikke ønsker  
informasjon. ◆ Venligst sæt kryds i ruden  
søfremt De ikke måtte ønske at modtage  
information.  
◆ Merkitkää rasti ruutuun, mikäli ette halua  
vastaaottaa informaatiota.  
◆ Παράκαλεστε να σημειώσετε εάν δεν θέλετε  
να प्राप्तείτε πληροφορίες.

- ◆ GUARANTEE CARD
- ◆ GARANTIEKAART
- ◆ GARANTI KORT
- ◆ GARANTIEKARTE
- ◆ TARJETA DE GARANTÍA
- ◆ GARANTI KORT
- ◆ CARTE DE GARANTIE
- ◆ CARTÃO DE GARANTIA
- ◆ TAKUUKORTTI
- ◆ TAGLIANDO DI GARANZIA
- ◆ GARANTIBEVIS
- ◆ KAPTA EITTYHSHZ



<b>English</b>	Please complete this section immediately after the purchase of your tool and send it to Black & Decker in your country. Bitte schneiden Sie diesen Abschnitt ab, stecken ihn in einen frankierten Umschlag und schicken ihn an die Black & Decker Adresse Ihres Landes.	<b>Português</b>	Por favor, recorte esta parte, coloque-a num envelope selado e endereçado e envie-o logo após a compra do seu produto para o endereço da Black & Decker do seu país. Var vänlig klipp ur denna del och sänd den i ett frankerat kuvert till Black & Deckers adress i Ditt land. Vennligst klipp ut denne delen umiddelbart etter du har pakket ut ditt produkt og legg det i en adressert konvolutt til Black & Decker (Norge) AS. Vennligst klip denne del ud og send frankeret til Black & Decker i ditt land. Leikkaa iriti tämä osa, laita se kuoreen ja postita kuori paikalliseen Black & Decker osoitteeseen. Παράκαλώ κόψετε αυτό το κομμάτι και τοχυθούποληστε το αμέσως μετά την αγορά του προϊόντος σας στην διεύθυνση της Black & Decker στην Ελλάδα.
<b>Deutsch</b>	Bitte schneiden Sie diesen Abschnitt ab, stecken ihn in einen frankierten Umschlag und schicken ihn an die Black & Decker Adresse Ihres Landes.	<b>Norsk</b>	Vennligst klipp ut denne delen umiddelbart etter du har pakket ut ditt produkt og legg det i en adressert konvolutt til Black & Decker (Norge) AS.
<b>Frangais</b>	Découpez cette partie et envoyez-la sous enveloppe timbrée à l'adresse de Black & Decker dans votre pays. ceci immédiatement après vote achat.	<b>Dansk</b>	Vennligst klip denne del ud og send frankeret til Black & Decker i ditt land.
<b>Italiano</b>	Per favore ritagliate questa parte, inseritela in una busta con francobollo e spediteola subito dopo l'acquisto del prodotto all'indirizzo della Black & Decker nella vostra nazione.	<b>Suomi</b>	Leikkaa iriti tämä osa, laita se kuoreen ja postita kuori paikalliseen Black & Decker osoitteeseen.
<b>Nederlands</b>	Knip dit gedeelte uit en zend het direct na aankoop in een gefrankeerde, geadresseerde envelop naar het adres van Black & Decker in uw land.	<b>Ελληνικά</b>	Παράκαλώ κόψετε αυτό το κομμάτι και τοχυθούποληστε το αμέσως μετά την αγορά του προϊόντος σας στην διεύθυνση της Black & Decker στην Ελλάδα.
<b>Espanol</b>	Después de haber comprado su herramienta envíe usted, por favor, esta tarjeta a la central de Black & Decker en su país.		