

NO-FROST REFRIGERATOR

Instruction booklet

RÉFRIGÉRATEUR A FROID VENTILE

Guide d'utilisation

FRIGORIFERO NO-FROST

Manuale di Istruzioni

Index

BEFORE USING YOUR FRIDGE	2
Safety Instructions	2
Information On No-Frost Technology	3
Safety warnings	4
Installing and Operating your Fridge	5
Before Using your Fridge	5
USAGE INFORMATION	6
Temperature Settings	6
Warnings for Temperature Settings	6
PLACING THE FOOD	7
Cooling Compartment	7
The Deep Freeze Compartment	8
CLEANING AND MAINTENANCE	12
Defrosting	13
Replacing the Bulb	13
SHIPMENT AND REPOSITIONING	14
Repositioning the Door	14
BEFORE CALLING SERVICE	14
THE PARTS OF THE APPLIANCE AND THE COMPARTMENTS	17

CHAPTER 1. BEFORE USING YOUR FRIDGE

Safety Instructions

- If the model contains R600a-see name plate under refrigerant (the coolant isobutane), natural gas that, is very environmentally friendly but also combustible. When transporting and installing the unit care must be taken to ensure that none of the refrigeration circuit components become damaged. In the event of damage avoid naked flames or ignition sources and ventilate the room in which the unit is placed for a few minutes.

Warning: *Keep ventilation openings in appliance enclosure or in structure for building in, clear of obstruction.*

- Do not use mechanical devices or other artificial means to accelerate the defrosting process.
- Do not use electrical appliances in the refrigerator or freezer compartment of the appliance.
- If this appliance is to replace an old refrigerator with a lock; break or remove the lock as a safety measure before storing it, to protect children while playing might lock themselves inside.
- Old refrigerators and freezers contain insulation gases and refrigerant, which must be disposed of properly. Entrust the disposal of a scrap unit categorically to competence of your local waste disposal service and contact your local authority or your dealer if you have any questions. Please ensure that the pipe of work of your refrigerating unit does not get damaged prior to being picked-up by the relevant waste disposal service.

Important note:

Please read this booklet before installing and switching on this appliance. The manufacturer assumes no responsibility for incorrect installation and usage as described in this booklet.

Conformity Information

- Tropical Class is defined for the environment temperatures between 16°C and 43°C in accordance with the TS EN ISO 15502 Standards.
- The appliance is designed in compliance with the EN15502, IEC60335-1 / IEC60335-2-24, 2004/108/EC standards.

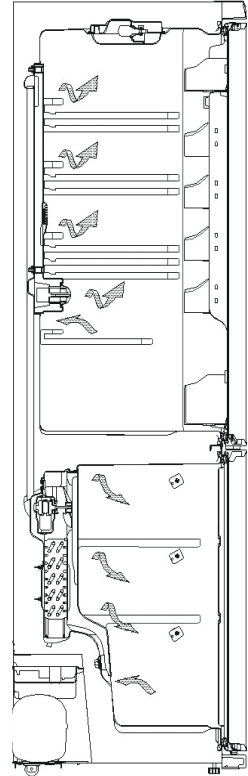
Information On No-Frost Technology

No-frost refrigerators differ from other static refrigerators in their operating principle.

In normal fridges, the humidity entering the fridge due to door openings and the humidity inherent in the food causes freezing in the freezer department. To defrost the frost and ice in the freezer compartment, you are periodically required to turn off the fridge, place the food that needs to be kept frozen in a separately cooled container, and remove the ice gathered in the freezer department.

The situation is completely different in no-frost fridges. Dry and cold air is blown into the fridge and freezer compartments homogeneously and evenly from several points via a blower fan. Cold air dispersed homogeneously and evenly between the shelves cools all of your food equally and uniformly, thus preventing humidity and freezing.

Therefore your no-frost fridge allows you ease of use, in addition to its huge capacity and stylish appearance.



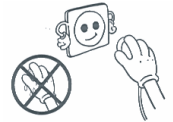
Safety warnings

Warning: Do not use mechanical devices or other means to accelerate the defrosting process, other than those recommended by the manufacturer. Do not use electrical appliances inside the food storage compartments of the appliance, unless they are of the type recommended by the manufacturer. Keep ventilation openings, in the appliance enclosure or in the built-in structure, clear of obstruction. Do not damage the refrigerant circuit.

- Do not use multiple receptacles or extension cords.
- Do not plug in damaged, torn or old plugs.
- Do not pull, bend or damage the power cord.

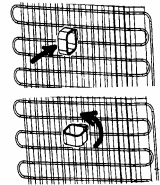


- This appliance is designed for use by adults. Do not allow children to play with the appliance or let them hang on the door.
- To prevent electrocution or electrical shock, do not plug in or remove the plug from the receptacle with wet hands!
- Do not place glass bottles or beverage cans in the freezer compartment. Bottles or cans may explode.
- For your safety do not place explosive or flammable material in your fridge. Place drinks with higher alcohol content vertically and close their caps tightly in the fridge compartment.
- Do not touch frozen goods with wet hands!
- Do not re-freeze frozen goods after being thawed. This may cause serious health issues on consumption like food poisoning.
- Do not cover the body or top of the fridge with lace. This affects the performance of the appliance.
- Secure the accessories in the fridge during transportation to prevent them from damage.
- The appliance is not intended for use by people (including children) with reduced physical, sensory or mental capabilities, or lack of experience and knowledge, unless they have been given supervision or instruction concerning use of the appliance by a person responsible for their safety. Children should be supervised to ensure that they don't play with the appliance.
- If the supply cord is damaged it must be replaced by the manufacturer or service agent or similiary qualified people in order to avoid a hazard.



Installing and Operating your Fridge

- Before making the connection to the power supply, ensure that the voltage on the nameplate corresponds to the voltage of the electrical system at your home.
- Operating voltage for your fridge is 220-240 V at 50Hz.
- Before starting to use your fridge, please contact the nearest authorized servicer if help is needed with the installation, operation and usage of your fridge.
- The main power cord of your fridge has a grounded plug. This plug should be used with a grounded receptacle that has a 16 amper fuse minimum. If you don't have a receptacle conforming with this, please have one installed by a qualified electrician.
- We do not take responsibility for any damages that occur due to ungrounded usage.
- Place your fridge in a place where it is not exposed to direct sunlight.
- Your appliance should be at least 50 cm away from stoves, ovens and heater cores, and should be at least 5 cm away from electrical ovens.
- This appliance should never be used outdoors or left under the rain.
- Fit the plastic wall spacers to the condenser on the back of the refrigerator in order to prevent it from touching the wall and affecting performance.
- When your fridge is placed next to a deep freezer, there should be at least 2 cm between the appliances to prevent humidity on the outer surface. Do not place anything on your fridge, and install your fridge in a suitable place where there is at least 15 cm of clearance space available on the upper side.
- If you place your fridge next to your kitchen cabinets, leave a space of 2 cm between the appliance and the cabinets.
- Install the distance adjustment plastic (the part with black vanes at the rear) by turning it 90° to prevent the condenser from touching the wall.
- The adjustable front legs should be set at an appropriate height to allow your fridge to operate in a stable and proper way. You can adjust the legs by turning them clockwise or counter-clockwise. This should be done before placing food in the fridge.
- Before using your fridge, wipe all parts with warm water mixed with a teaspoonful of sodium bicarbonate and then rinse with clean water and dry. After cleaning, replace all parts in their proper locations in the fridge.



Before Using your Fridge

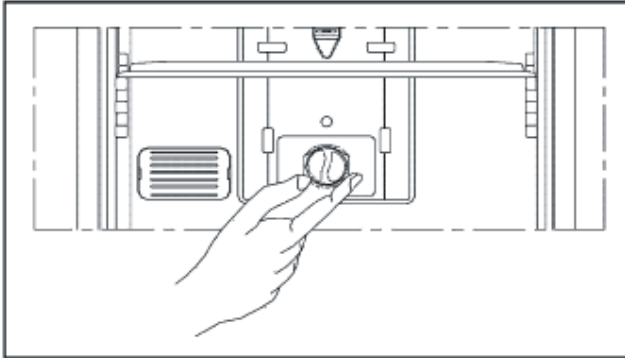
- When operated for the first time or after transportation, keep your fridge in the upright position for at least 3 hours before plugging it in to allow efficient operation. Otherwise, you may damage the compressor.
- Your fridge may have a slight odor when it is operated for the first time. The odor will fade away when your fridge starts to cool.



CHAPTER 2. USAGE INFORMATION

Temperature Settings

Cooler and Freezer Thermostat Knob



Cooling compartment

The thermostat ensures that the temperature settings in the cooling and freezing compartments of your refrigerator are controlled automatically. It may be set to any value ranging from 1 to 6. As you turn the thermostat setting knob from 1 to 6, the amount of cooling increases.

Cooling compartment thermostat knob:

- 5 - 6** : For more cooling.
- 3 - 5** : For normal utilization.
- 1 - 3** : For less cooling.

Warnings for Temperature Settings

- It is not recommended that you operate your fridge in environments colder than 10°C in terms of its efficiency.
- The thermostat setting should be done by taking into consideration how often the fresh food and freezer doors are opened and closed, how much food is stored in the refrigerator, and the environment in which the refrigerator is located.
- Your fridge should be operated up to 24 hours according to the ambient temperature without interruption after being plugged in to be completely cooled. Do not open doors of your fridge frequently and do not place much food inside it in this period.
- A 5 minute delaying function is applied to prevent damage to the compressor of your fridge, when you take the plug off and then plug it on again to operate it or when an energy breakdown occurs. Your fridge will start to operate normally after 5 minutes.
- Your fridge is designed to operate in the ambient temperature intervals stated in the standards, according to the climate class stated in the information label. It is not recommended that your fridge is operated in the environments which are out of the stated temperature intervals in terms of cooling efficiency.

<i>Climate Class</i>	<i>Ambient</i>
T	16 to 43 °C
ST	16 to 38 °C
N	16 to 32 °C
SN	10 to 32 °C

CHAPTER 3. PLACING THE FOOD

Cooling Compartment

- To prevent humidification and odor formation, the food should be placed in the refrigerator in closed or covered containers.
- Hot foods and drinks should be cooled to room temperatures before being placed in the refrigerator.
- Please do not prop packaged food and containers against the lamp or cover of the cooling compartment.
- Fruits and vegetables may be placed directly in the vegetable holder without being wrapped separately.
- Some recommendations have been specified below for the placement and storage of your food in the cooling compartment.

Food	Storage Duration	Location where it will be placed in the cooling compartment
Fruits and Vegetables	1 Week	In the vegetable holder (without being wrapped in anything)
Fish and meat	2-3 days	Wrapped in plastic folio or bag or within a meat box (on the glass shelf)
Fresh cheese	3-4 days	In the special door shelf
Butter, margarine	1 Week	In the special door shelf
Bottled products, Milk and yoghurt	The period recommended by the manufacturer	In the special door shelf
Egg	1 month	In the egg-holder shelf
Cooked food		In every shelf

NOTE: Potatoes, onions and garlic should not be stored in the refrigerator. Meat should never be refrozen after it is thawed if it has not been cooked before refreezing.

The Deep Freeze Compartment

- Use the deep freeze compartment of your refrigerator for storing the frozen food for a long time and for producing ice.
- Place the food you would like to freeze initially in the upper basket of the deep freeze section in such a way that it shall not exceed the declared freezing capacity of your refrigerator. You may place your food next to the other frozen foods after they are frozen (for at least 24 hours).
- It is recommended to keep thermostat set at level 5.
- It is recommended that the food which is being newly frozen be kept separate from the already frozen food.
- Foods should be frozen in single portion sized containers.
- Do not refreeze the frozen food once it is thawed. It may pose a danger to your health as it might cause problems like food poisoning.
- Do not place hot meals in your deep freeze until they cool down. You could cause the other food frozen beforehand in the deep freeze compartment to become spoiled.
- As you buy frozen food, make sure it was frozen under appropriate conditions and that the packaging is not torn.
- While storing frozen food, the storage conditions on the package should certainly be observed. If there are no instructions, the food has to be consumed in the shortest possible period of time.
- Frozen food has to be transported before it thaws and it should be placed in the fast freezing shelf as soon as possible. Please do not use the door shelves for fast freezing purposes.
- If the frozen food package has been humidified and it has a foul odor, the food might have previously been stored under unsuitable conditions and become spoiled. Please do not buy such food!
- The storage durations of frozen food change depending on the environmental temperatures, the frequent opening and closing of the doors, thermostat settings, food types, and the period of time that elapsed from when the food was acquired to the time it entered the freezer. Always abide by the instructions on the package and never exceed the storage duration.
- During extended power outages, please do not open the door of the deep freeze compartment. Your refrigerator will preserve your frozen food in the ambient environmental temperature of 25°C for about 13 hours. This preservation time period decreases the higher the ambient environmental temperatures are. During longer lasting power cuts, you should not refreeze your food.

Some recommendations have been specified on pages 9, 10 and 11 for the placement and storage of your food in the deep freeze compartment.

Fish and Meat	Preparation	Storage Duration (months)	Thawing period at room temperature (hours)
Beef Steak	Packed for freezing in convenient portions	6-10	1-2
Lamb Meat	Packed for freezing in convenient portions	6-8	1-2
Calf Roast	Packed for freezing in convenient portions	6-10	1-2
Calf Cubes	In small pieces	6-10	1-2
Sheep Cubes	In pieces	4-8	2-3
Minced meat	In convenient portions, packaged without being spiced	1-3	2-3
Offal (piece)	In pieces	1-3	1-2
Sausage/Salami	Must be packed even if it is film-coated	1-2	Until thawed
Chicken and turkey	Packed for freezing in convenient portions	7-8	10-12
Goose / Duck	Packed for freezing in convenient portions	4-8	10
Deer - Rabbit - Boar	Portions of 2.5 kg and with no bones	9-12	10-12
Freshwater fish (Trout, Carp, Northern Pike, Cat Fish)	It should be washed and dried after it is well cleaned inside and scaled, the tail and head parts should be cut off where necessary.	2	Until it is well thawed
Lean fish (Sea Bass, Turbot, Sole)		4-8	
Fatty fish (Bonito, Mackerel, Blue Fish, Anchovy)		2-4	
Crustaceans	Cleansed and put into bags	4-6	Until it is well thawed
Caviar	In its package, inside an aluminum or plastic cup	2-3	Until it is well thawed
Snail	In salty water, inside an aluminum or plastic cup	3	Until it is well thawed

Note: Frozen foods, when thawed, should be cooked just like fresh foods. If they are not cooked after being thawed they must NEVER be re-frozen.

Vegetables and Fruits	Preparation	Storage Duration (months)	Thawing period at room temperature (hours)
Cauliflower	Remove the leaves, divide the core into parts and keep it waiting in water containing a little amount of lemon	10-12	It may be used in frozen form
Green Beans, French Beans	Wash them and cut into small pieces.	10-13	It may be used in frozen form
Peas	Shell and wash them	12	It may be used in frozen form
Mushrooms and Asparagus	Wash them and cut into small pieces	6-9	It may be used in frozen form
Cabbage	In a cleaned fashion	6-8	2
Eggplant	Cut it into pieces of 2cm after washing it	10-12	Separate plates from each other
Corn	Clean it and pack it with its cob or in grains	12	It may be used in frozen form
Carrot	Clean them and cut into slices	12	It may be used in frozen form
Pepper	Remove the stem, divide it into two and separate the seeds	8-10	It may be used in frozen form
Spinach	Washed	6-9	2
Apple and Pear	Slice it by peeling its rind	8-10	(In freezer) 5
Apricot and Peach	Divide it into half and remove the seeds	4-6	(In freezer) 4
Strawberry and Raspberry	Wash and clean them	8-12	2
Cooked fruits	Inside a cup with addition of 10% of sugar	12	4
Plums, Cherries, Sour Cherries	Wash them and remove the stems	8-12	5-7

Dairy Products and Pastries		Preparation	Storage Duration (months)	Storage Conditions	
Packaged (Homogenised) Milk		In its own package	2-3	Only homogeneous ones	
Cheese (except white cheese)		In the form of slices	6-8	They may be left in their original packages for short time storage. They should also be wrapped in plastic folio for long term storage.	
Butter, Margarine		In its own package	6		
Egg*	Egg White		10-12	30 gr of it Equals to one egg yolk.	In a closed cup
	Egg mixture (White-Yolk)	It is mixed very well, a pinch of salt or sugar is added to prevent it from getting too thick.	10	50 gr of it Equals to one egg yolk.	
	Egg Yolk	It is mixed very well, a pinch of salt or sugar is added to prevent it from getting too thick.	8-10	2 gr of it Equals to one egg yolk.	

* It should not be frozen with its shells. The white and yolk of the egg should be frozen separately or as having been well mixed.

	Storage Duration (months)	Thawing period at room temperature (hours)	Thawing duration in the oven (minutes)
Bread	4-6	2-3	4-5 (220-225 °C)
Biscuits	3-6	1-1,5	5-8 (190-200 °C)
Pie	1-3	2-3	5-10 (200-225 °C)
Tart	1-1,5	3-4	5-8 (190-200 °C)
Filo Pastry	2-3	1-1,5	5-8 (190-200 °C)
Pizza	2-3	2-4	15-20 (200 °C)

The taste of some spices found in cooked dishes (anise, basilica, watercress, vinegar, assorted spices, ginger, garlic, onion, mustard, thyme, marjoram, black pepper, etc.) changes and they assume a strong taste when they are stored for a long period. Therefore, the frozen food should be added little amount of spices or the desired spice should be added after the food has been thawed.

The storage period of food is dependent on the oil used. The suitable oils are margarine, calf fat, olive oil and butter and the unsuitable oils are peanut oil and pig fat.

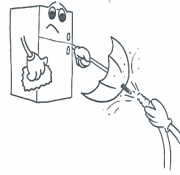
The food in liquid form should be frozen in plastic cups and the other food should be frozen in plastic folios or bags.

CHAPTER 4. CLEANING AND MAINTENANCE

- Make sure to unplug the fridge before starting to clean it.



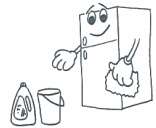
- Do not wash your fridge by pouring water.



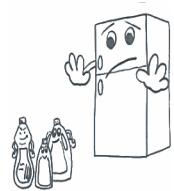
- You can wipe the inner and outer sides with a soft cloth or a sponge using warm, soapy water.



- Remove the parts individually and clean with soapy water. Do not wash in washing machine.



- Never use flammable, explosive, or corrosive materials like paint thinner, gas, or acid for cleaning the fridge.

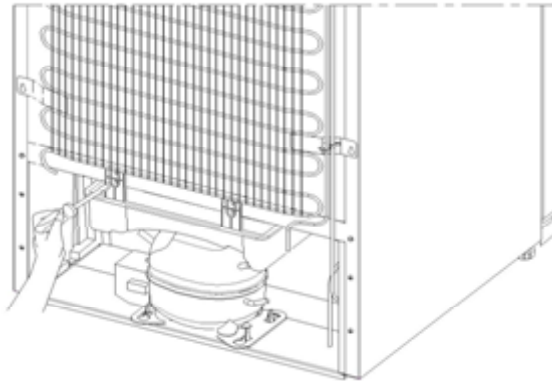


- Cleaning the condenser (back of the appliance) with a brush or a vacuum cleaner at least once a year will ensure maximum product efficiency and productivity.



Make sure that your fridge is unplugged while cleaning.

Defrosting

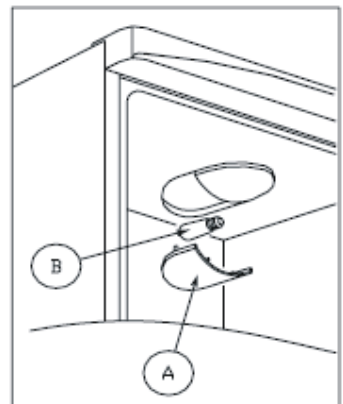


- Your refrigerator performs fully automatic defrosting. The water formed as a result of defrosting passes through the water collection spout, flows into the vaporization container behind your refrigerator and evaporates by itself in there.
- ***Make sure you have disconnected the plug of your refrigerator before cleaning the vaporization container.***
- Remove the vaporization container from its position by unscrewing the screws as indicated. Clean it with soapy water at specific time intervals. Thus, the odor formation will have been prevented.

Replacing the Bulb

To replace the bulb in the freezer and fridge compartments;

- 1- Unplug your fridge.
- 2- Using a screwdriver, carefully remove the light cover from the top panel.
- 3- Replace with a 15 watt bulb.
- 4- Reinstall the light cover.
- 5- Wait for 5 minutes before re-plugging the fridge in and restore the thermostat to its original position.



CHAPTER 5. SHIPMENT AND REPOSITIONING

- Original packaging and foam may be kept for re-transportation (optional).
- You should wrap your fridge with a thick packaging and band it to the unit. Always follow the original instructions for transportation found on the packaging for re-transportation.
- Remove unsecured parts (shelves, accessories, vegetable bins etc.) or secure them into the fridge by using bands or tape during re-positioning and transportation.
- Always transport your fridge in the upright position.



Repositioning the Door (on some models)

You can reposition the doors of your fridge. Contact your nearest authorized service agent for this.

CHAPTER 6. BEFORE CALLING SERVICE

If your refrigerator is not working:

- Is there an electrical failure?
- Has the plug been correctly connected to the socket?
- Has there been a blow-out in the fuse or breaker of the electrical circuit to which the plug has been connected?
- Are there any faults with the socket? For this purpose, try the plug of your refrigerator by connecting it to a socket which you are sure is working.

If your refrigerator does not get cold enough:

- Is the thermostat set in the coldest position?
- Are the doors of your refrigerator opened very frequently and do they remain open for long periods of time?
- Do the doors of your refrigerator fully closed and are the door gaskets sealing correctly?
- Are any containers or dishes placed in your refrigerator contacting the back wall in such a way that they are obstructing the air circulation?
- Is your refrigerator over-filled?
- Is there enough space between your refrigerator and the back and side walls?

If the food in the Cooling/Freezing compartment is colder than necessary:

- Has a suitable temperature setting be made? (Are the thermostat knobs in the position “5”?)
- Is there too much newly placed food in the deep freeze compartment?

If there is, the compressor shall operate longer for freezing it; hence it may also possibly be cooling the food in the cooling compartment more than necessary.

If your refrigerator is operating noisily:

The compressor shall from time to time energize to ensure that the adjusted coolness level remain fixed. The noises that may be heard from the refrigerator at that time are normal as required by function.

Once the required coolness level has been achieved, the noises should automatically diminish.

If there is still noise:

- Has your refrigerator been leveled? Have the feet been adjusted and set?
- Is there anything behind your refrigerator?
- Are the shelves or the plates on the shelves of your fridge vibrating? If so, then rearrange the shelves and/or plates.
- Are the goods placed in your fridge vibrating? Secure them or rearrange on the shelf.

Crackling (Ice Cracking) Noise:

- It is heard during the automatic defrosting process as the ice which has formed on the cooling coil melts and falls into the drain trough.
- Once the device has been cooled or heated (the expansions and contractions of the actual product material).

Short Cracking Noise:

- It is heard when the thermostat turns the compressor on and off.

Compressor Noise:

- It is a normal engine noise. This noise indicates that the compressor is operating normally.
- As the compressor is being energized, it might run a bit more noisily for a short period of time.

Bubbling and gurgling sound:

- This noise is emitted as the coolant fluid flows through the pipes within the system.

Water flowing sound:

- This is the normal sound of water flowing into the drain trough during the defrosting process.

Air blowing sound:

- It is the normal fan sound. This sound may be heard due to air circulation in No Frost refrigerators when the system is operating normally.

If the edges of the refrigerator cabinet contacted by the door seal are hot:

- Especially in summer months (in hot weather), there might be warming of the surfaces contacted by the seal on the refrigerator. This is normal.

If there is moisture on the inner parts of your refrigerator:

- Has the food been properly packaged and sealed? Have the containers been well dried before they were put into the refrigerator?
- Are the doors of the refrigerator opened very frequently? Once the door is opened, the humidity found in the air in the room enters the refrigerator. Especially if the humidity levels in the room are very high. The more frequently the door is opened, the faster will be the humidification.
- It is normal to have water drops formed on the back wall following the automatic defrosting process (In Static Models).

If the doors are not being properly closed:

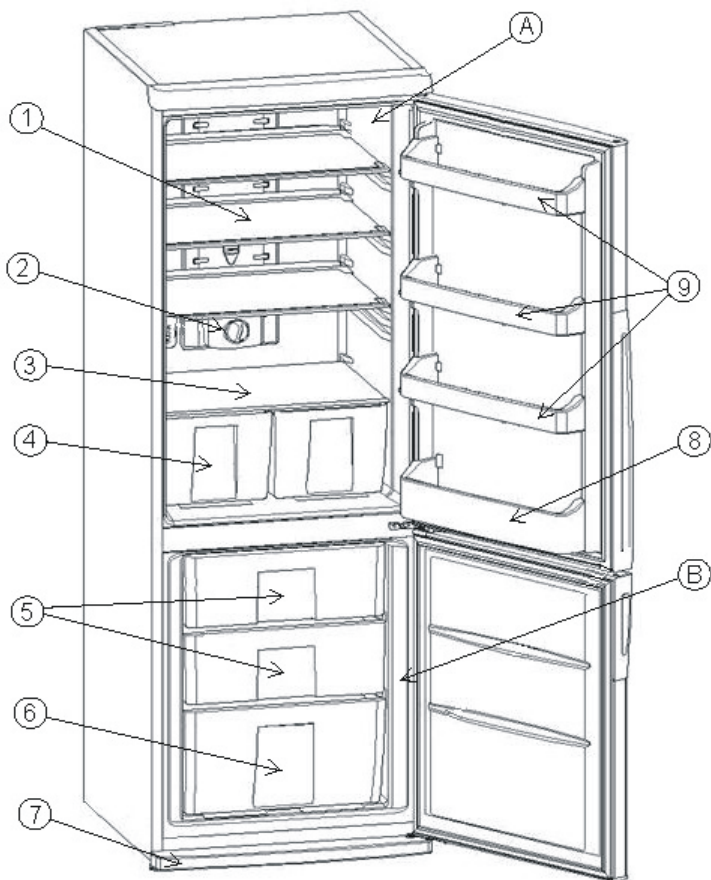
- Are food packages preventing the doors from being closed?
- Have the door compartments, shelves and drawers properly placed?
- Are the door seals defective or torn?
- Is your refrigerator standing on level ground?

IMPORTANT NOTES:

- In case of a sudden power loss or disconnecting and reconnecting of the plug to the electrical socket, the compressor protective thermal element will be opened as the pressure of the gas in the cooling system of your refrigerator has not yet been balanced. 4 or 5 minutes later, your refrigerator will start to operate; this is normal.
- If you won't be using your refrigerator for a long time (such as on summer holidays), please disconnect the plug from the socket. Clean your refrigerator as per Part 4 of this document and leave the door open to prevent any humidification or odor formation.

If there is still a problem with your refrigerator although you have followed the instructions in this book, please consult your nearest authorized service center.

The life cycle of this product as determined and proclaimed by the Ministry of Industry (the period for making spare parts available for the product to be able to fulfill its functions) is 10 years.

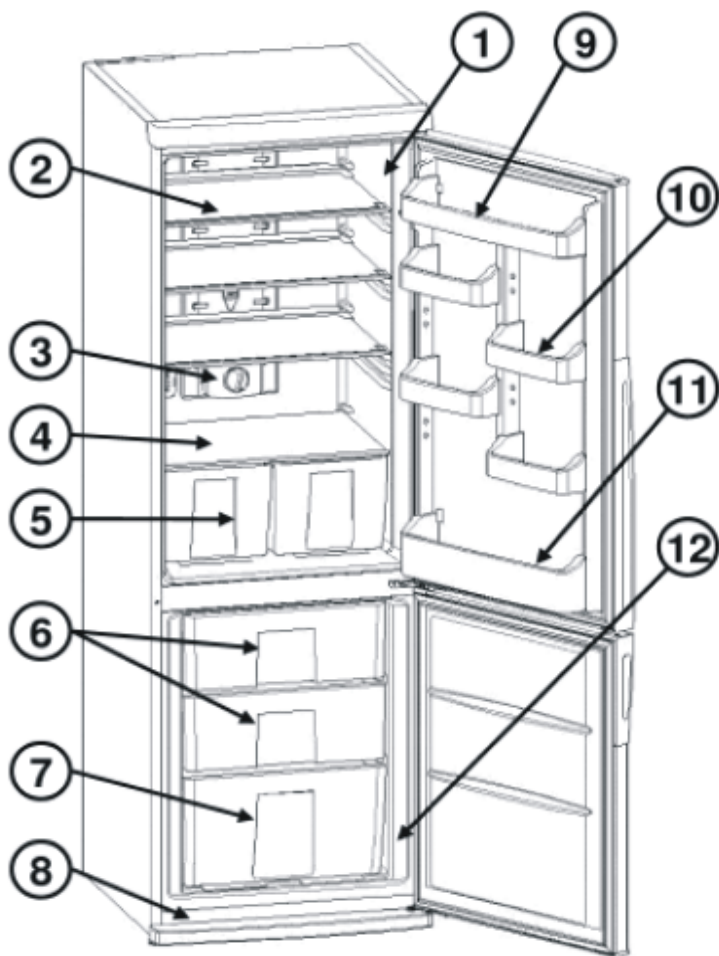


This presentation is only for information about the parts of the appliance.
Parts may vary according to the appliance model.

- A) Cooling Compartment
B) Freezing Compartment

- 1) Cooling Glass Shelf
2) Thermostat
3) Glass Above the Vegetable Holder
4) Vegetable Holder

- 5) Middle Basket
6) Lower Basket
7) Kick-plate
8) Bottle-Holder
9) Upper Shelf



This presentation is only for information about the parts of the appliance.
Parts may vary according to the appliance model.

- | | |
|-------------------------------------|--------------------------|
| 1) Cooling Compartment | 7) Lower Basket |
| 2) Cooling Glass Shelf | 8) Kick-plate |
| 3) Thermostat | 9) Upper Shelf |
| 4) Glass Above the Vegetable Holder | 10) Moveable Shelf |
| 5) Vegetable Holder | 11) Bottle-Holder |
| 6) Middle Basket | 12) Freezing Compartment |

Table des matières

AVANT D'UTILISER VOTRE REFRIGERATEUR	20
Anciens réfrigérateurs et réfrigérateurs dysfonctionnels	20
Avertissement de securite	21
Installation et fonctionnement de votre réfrigérateur	22
Avant de commencer à utiliser votre réfrigérateur	23
UTILISATION DES INFORMATIONS	24
Réglages de la température	24
Avertissements relatifs aux réglages de la température	24
RANGEMENT DES ALIMENTS	25
Compartiment réfrigérateur	25
Le compartiment congélateur	26
NETTOYAGE ET ENTRETIEN	30
Degivrage	31
Remplacement de l'ampoule	31
TRANSPORT ET DEPLACEMENT	32
Changement de la Direction d'Ouverture de la porte	32
AVANT D'APPELER LE SERVICE APRES-VENTE	32
PIÈCES DU RÉFRIGÉRATEUR ET COMPARTIMENTS	36

PARTIE 1. AVANT D'UTILISER VOTRE REFRIGERATEUR

Informations relatives a la technologie froid ventilé

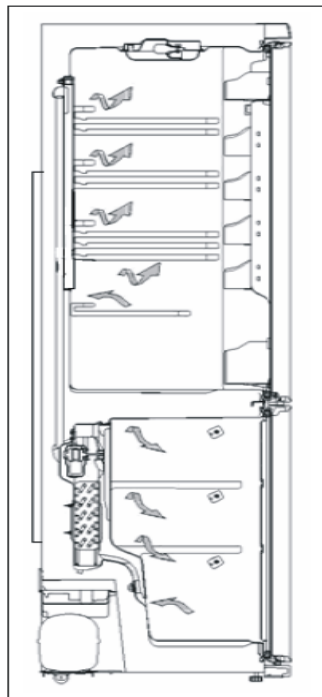
Les réfrigérateurs froid ventilé se démarquent des autres réfrigérateurs statiques de par leur système opérationnel.

Dans des réfrigérateurs normaux, à l'intérieur du compartiment réfrigérateur, l'humidité qui provient de l'aliment humide, qui pénètre dans le réfrigérateur pendant les mouvements de la porte, entraîne un givrage à l'intérieur du compartiment réfrigérateur.

Pour faire fondre la boule de neige et la couche de givre qui se sont formées, il est indispensable de suivre certains procédés comme par exemple éteindre le réfrigérateur, sortir l'aliment qui doit rester froid pendant ce procédé, enlever le givre qui s'est accumulé.

Pour ce qui est des réfrigérateurs anti-givre, le procédé est complètement différent de celui qui se déroule dans le compartiment congélateur. La pièce sèche et froide est déclenchée de façon homogène au niveau de nombreux points en direction des sections de réfrigération et de congélation au moyen du ventilateur. L'air froid est distribué de façon homogène jusque dans les recoins des étagères. Cette mesure vise non seulement à s'assurer que la totalité de votre aliment est réfrigérée de manière équitable et convenable, mais ne favorise pas l'humidification et le givrage. Le compartiment congélateur est réfrigéré de manière statique.

Dans ces conditions, votre réfrigérateur à froid ventilé vous apporte, en plus de son grand volume et de son attrait esthétique, un confort remarquable.



Anciens réfrigérateurs et réfrigérateurs dysfonctionnels

- Le modèle contient du R600a (le réfrigérant isobutane), un gaz naturel respectueux de l'environnement mais également combustible. Lorsque vous transportez et installez l'appareil, vous devez prendre des précautions pour vous assurer qu'aucun composant du circuit de réfrigération ne soit endommagé. En cas de dommage, évitez des flammes vives ou des sources d'ignition et ventilez pendant quelques minutes la salle dans laquelle l'appareil est placé.
- Si votre ancien réfrigérateur possède un dispositif de verrouillage, cassez ou enlevez le verrouillage avant la mise au rebut; cette disposition est importante pour éviter que des enfants, au cours de leurs jeux, n'y entrent, s'y enferment, et provoquent de ce fait un nouvel accident.
- Les anciennes glacières et congélateurs renferment un gaz réfrigérant comprenant des matériaux d'isolation et le CFC. Ainsi, faites particulièrement attention pour ne pas nuire à votre environnement lors de la mise au rebut de votre ancien réfrigérateur.

Remarque importante:

Veillez lire attentivement le manuel de l'utilisateur avant d'installer et de faire fonctionner votre appareil. La responsabilité de notre société ne saurait être engagée en cas de dommages potentiels pouvant survenir à cause d'une mauvaise utilisation de l'appareil.

Prêtez attention à toutes les mises en garde qui figurent sur l'appareil et sur le manuel de l'utilisateur, et conservez la présente brochure pour une référence ultérieure.

Avertissement de securite

Avertissement : N'utilisez pas d'appareils mécaniques ou d'autres moyens artificiels pour accélérer le processus de décongélation. N'utilisez pas d'appareils électriques dans l'espace de stockage des aliments de l'appareil. N'obstruez pas les ouvertures de ventilation de l'appareil. N'endommagez pas le circuit de liquide réfrigérant du réfrigérateur.

- Veuillez ne pas utiliser de prise multivoies ni de rallonge.
- Veuillez ne pas insérer de fiche de câble endommagée, déchirée ou usée à l'intérieur de la prise.
- Veuillez ne jamais tirer, plier, ou endommager le câble.



- Le présent produit a été conçu pour être utilisé par des adultes. En conséquence, veuillez ne pas laisser les enfants s'en servir pour jouer, ni utiliser sa porte comme balançoire.
- Ne jamais débrancher la fiche de sa prise avec des mains humides pour éviter de provoquer un choc électrique !
- Veuillez ne jamais mettre de boissons acides à l'intérieur des bouteilles et canettes cassables dans le compartiment congélateur de votre réfrigérateur. Ces bouteilles et canettes peuvent s'éclater.
- Pour votre sécurité, veuillez ne pas introduire de matériaux explosifs ni inflammables à l'intérieur de votre réfrigérateur. Mettez les boissons à fort contenu alcoolique dans le compartiment réfrigérateur de votre appareil en prenant soin de bien en refermer les bouches et de les positionner verticalement.
- Eviter tout contact manuel au moment où vous enlevez le glaçon issu du compartiment congélateur, car ce glaçon peut provoquer des brûlures et/ou des coupures.
- Ne jamais toucher aux aliments congelés avec les mains nues ! Ne consommez pas la glace et les cristaux de glace aussitôt que vous les avez enlevés du compartiment congélateur !



- Ne congelez pas à nouveau les aliments déjà congelés une fois que ceux-ci se sont dégelés. Ce geste pourrait représenter un danger pour votre santé dans la mesure où vous courrez le risque d'être victime d'une intoxication alimentaire.
- Veuillez ne pas couvrir le réfrigérateur, encore moins le dessus de l'appareil avec un morceau de tissu ou tout autre vêtement. Ceci aura une incidence sur le rendement de votre réfrigérateur.
- Fixez les accessoires à l'intérieur du produit de sorte qu'ils ne subissent aucun dommage pendant le transport.
- Si le cordon d'alimentation électrique est endommagé, il doit être remplacé par le fabricant ou son prestataire de service, ou encore par un professionnel agréé.
- L'utilisation du présent produit n'est pas destinée aux personnes (y compris les enfants) ne disposant pas de toutes leurs potentialités physiques, sensorielles, mentales, ou encore ne jouissant pas d'une certaine expérience et de connaissances appropriées, à moins d'avoir été sous un éventuel contrôle, ou d'avoir reçu des instructions relatives à l'utilisation de l'appareil auprès d'une personne responsable de leur sécurité. Les enfants doivent se faire aider pour s'assurer qu'ils ne s'en servent pas pour jouer.
- Si le cordon d'alimentation électrique est endommagé, il doit être remplacé par le fabricant ou son prestataire de service, ou encore par un professionnel agréé.
- Cet appareil n'est pas destiné à être utilisé par des personnes (enfants inclus) dont les capacités physiques, sensorielles ou intellectuelles sont réduites ou bien manquant d'expérience et de connaissances à moins d'avoir été encadrées ou formées au niveau de l'utilisation de l'appareil par une personne responsable de leur sécurité. Surveillez les enfants pour s'assurer qu'ils ne jouent pas avec l'appareil.
- Si le cordon d'alimentation est endommagé, il doit être remplacé par le fabricant ou par un agent de maintenance ou une personne dûment qualifiée.

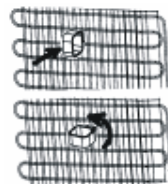
Installation et fonctionnement de votre réfrigérateur

Avant d'utiliser votre réfrigérateur, vous devez d'abord prêter attention aux points suivants :

- La tension de fonctionnement de l'appareil est de 220-240 V et 50 Hz.
- Une prise spéciale a été reliée au câble réseau de votre réfrigérateur. Cette prise doit être utilisée avec une prise spécialement mise à la terre, ayant une valeur d'au moins 16 ampères. Si vous ne disposez pas d'une telle prise, veuillez l'obtenir auprès d'un électricien qualifié.
- **La responsabilité de notre société ne saurait être engagée pour des dommages pouvant survenir d'une utilisation effectuée sans mise à la terre.**
- Positionnez votre réfrigérateur de sorte qu'il ne soit pas directement exposé à la lumière du soleil.
- Il doit être séparé par une distance d'au moins 50 cm entre les sources de chaleur telles que les cuisinières, les fours, les radiateurs d'aile, et autres réchauds, et de 5 cm au moins des fours électriques.



- Votre réfrigérateur ne doit pas être utilisé en plein air et ne doit pas rester sous le soleil.
- Si ce dernier est juxtaposé à un congélateur, il est indispensable de prévoir un espace d'au moins 2 cm entre les deux appareils pour éviter toute condensation de l'humidité à la surface externe.
- Veuillez ne pas mettre d'objets sur votre réfrigérateur et positionnez-le dans un endroit convenable de sorte qu'il puisse y avoir un vide d'au moins 15 cm au-dessus.
- Si vous voulez le positionner tout près de la cuisine, veuillez laisser un espace d'au moins 2 cm entre les deux.
- Pour éviter que le condensateur (partie à ailettes noire à l'arrière) ne repose sur le mur, reliez l'élément plastique fourni, pour un réglage à distance, en le tournant à 90°.
- Pour veiller à obtenir un bon fonctionnement dépourvu de toute vibration, les pieds réglables avant doivent être ajustés à la hauteur appropriée et mutuellement équilibrée. Vous pouvez y parvenir en tournant les pieds réglables dans le sens des aiguilles d'une montre (ou dans le sens inverse). Cette procédure doit être effectuée avant de placer les denrées dans le réfrigérateur.
- Avant d'utiliser votre réfrigérateur, nettoyez toutes ses pièces avec de l'eau chaude dans laquelle vous devez ajouter une cuillerée de soda, puis rincez avec de l'eau propre et séchez. A l'issue du processus de nettoyage, remettez toutes les pièces en place.



Avant de commencer à utiliser votre réfrigérateur

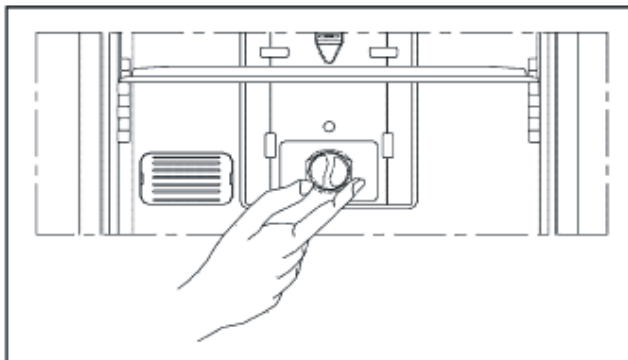
- Lors de la première utilisation ou pour assurer un fonctionnement efficace de l'appareil selon les procédés de DEPLACEMENT, laissez votre appareil se reposer pendant 3 heures (en position verticale), puis insérez la fiche dans la prise. Sinon, vous endommagerez le compresseur.
- Vous pourrez sentir une odeur la première fois que vous faites fonctionner votre réfrigérateur ; cette odeur disparaîtra une fois que la réfrigération commencera.



PARTIE 2. UTILISATION DES INFORMATIONS

Réglages de la température

Bouton du thermostat du réfrigérateur et du congélateur



Thermostat du compartiment de réfrigération

Il veille à ce que les réglages de température à l'intérieur des compartiments réfrigérateur et congélateur du réfrigérateur se fassent automatiquement. Il peut être réglé à n'importe quelle valeur comprise entre 1 et 6. Le degré de réfrigération augmente à mesure que vous tournez le bouton du thermostat de 1 à 6. Pour économiser de l'énergie en hiver, vous pouvez faire fonctionner votre appareil dans une position inférieure.

Bouton de thermostat du compartiment réfrigérateur;

- 5-6** : Pour plus de réfrigération.
- 3-5** : Pour une utilisation normale.
- 1-3** : Pour moins de réfrigération.

Avertissements relatifs aux réglages de la température

- **Le réglage du thermostat doit être effectué en tenant compte des paramètres suivants : la fréquence d'ouverture et de fermeture de la porte du congélateur, la quantité d'aliments conservée, et l'environnement dans lequel le réfrigérateur se trouve.**
- **Pour que le réfrigérateur soit complètement refroidi après son premier branchement à la prise, il doit fonctionner sans interruption pendant 24 heures selon l'environnement et la température.**
- **Pendant cette période de temps, ne pas ouvrir et fermer les portes de votre appareil avec une certaine fréquence et ne pas le remplir à l'excès.**
- **Lorsque vous souhaitez faire fonctionner à nouveau votre réfrigérateur après avoir débranché sa fiche de la prise, patientez pendant au moins 5 minutes avant d'insérer à nouveau la prise de sorte que le compresseur n'encoure aucun dommage.**

PARTIE 3. RANGEMENT DES ALIMENTS

Compartiment réfrigérateur

- Pour éviter l'humidification et la formation des odeurs, l'aliment doit être mis dans le réfrigérateur dans des tasses fermées ou la partie supérieure de ces tasses couvertes.
- L'aliment chaud et les boissons doivent également être refroidis à température ambiante avant leur introduction dans le réfrigérateur.
- Veuillez ne pas mettre les aliments et les tasses emballés contre la lampe et couvrir le compartiment réfrigérateur.
- Les fruits et légumes peuvent directement être placés dans le compartiment prévu à cet effet sans être emballé séparément.

Quelques recommandations ont été spécifiées ci-dessous pour la disposition et le stockage des aliments dans le compartiment réfrigérateur.

Denrées	Durée de conservation	Emplacement dans lequel il sera mis dans le compartiment réfrigérateur
Fruits et légumes	1 semaine	Dans le bac à légumes (sans emballage)
Poissons et viandes	2-3 Jours	Emballé dans un sac ou sachet plastique ou à l'intérieur d'un boîtier à viandes (sur la clayette en verre)
Fromage frais	3-4 Jours	Dans la clayette spéciale de la porte
Beurre, margarine	1 semaine	Dans la clayette spéciale de la porte
Produits embouteillés, lait et yaourt	Période recommandée par le fabricant	Dans la clayette spéciale de la porte
Œufs	1 Mois	Dans la clayette pour support à oeufs
Aliments cuits		Dans toutes les clayettes

EVITER: Les patates, oignons, et ails ne doivent pas être conservés dans le réfrigérateur.

La viande ne doit jamais avoir été congelée après dégivrage si elle n'avait pas été cuite.

Le compartiment congélateur

- Veuillez utiliser le compartiment congélateur de votre réfrigérateur pour conserver l'aliment surgelé pendant longtemps et pour produire de la glace.
- Veuillez mettre l'aliment à surgeler en premier lieu dans le panier supérieur du congélateur de sorte qu'il ne dépasse pas la capacité de congélation stipulée de votre réfrigérateur. Vous pouvez mettre votre aliment tout près de l'autre aliment congelé après congélation de ce dernier (pendant au moins 24 heures).
- Il est conseillé de garder le thermostat au niveau 5.
- Veuillez ne pas mettre l'aliment à congeler tout près de ceux qui l'ont déjà été.
- Vous devez congeler les aliments qui doivent l'être (viande, viande découpée, poisson, etc.) en les divisant en portions de sorte qu'ils soient consommés en une seule fois.
- Veuillez ne pas congeler à nouveau les aliments déjà congelés une fois que ceux-ci se sont dégelés. Ce geste pourrait représenter un danger pour votre santé dans la mesure où vous courrez le risque d'être victime d'une intoxication alimentaire.
- Ne mettez pas d'aliments chauds dans votre congélateur avant que ceux-ci ne se soient refroidis. Vous provoquerez ainsi la putréfaction des autres aliments déjà congelés à l'intérieur du congélateur.
- Lorsque vous achetez des aliments congelés, assurez-vous qu'ils ont été conservés dans des conditions adéquates et que leur emballage n'est pas déchiré.
- Lors de la conservation de l'aliment congelé, les conditions de conservation figurant sur le conditionnement doivent sans doute être observées. En l'absence d'instructions, l'aliment doit être consommé dans l'intervalle de temps le plus court possible.
- L'aliment congelé doit être transporté avant tout pourrissement et mis sur l'étagère de congélation rapide dès que possible. Veuillez ne pas utiliser les étagères de la porte à des fins de congélation.
- Si l'emballage de l'aliment congelé a été humidifié et dégage une odeur entêtante, ceci pourrait donner à penser que l'aliment a été conservé par le passé en deçà de bonnes conditions et a pourri. Veuillez ne pas acheter de tels aliments !
- Les durées de conservation des aliments congelés changent selon la température de l'environnement, les ouvertures et fermetures fréquentes de la porte, les réglages du thermostat, le type d'aliment, et la période de temps écoulée à partir du moment où l'aliment a été acheté jusqu'à celui où il s'est retrouvé dans le congélateur. Veuillez toujours respecter les instructions figurant sur le conditionnement et ne jamais dépasser la durée de conservation.
- Pendant des coupures de courant prolongées, veuillez ne pas ouvrir la porte du compartiment congélateur. Votre réfrigérateur préservera vos aliments congelés sous une température de 25°C pendant environ 13 heures. Cette valeur chute dans des températures environnementales élevées. Au cours des coupures de courant prolongées, ne congelez pas à nouveau vos aliments et consommez-les dès que possible.

Quelques recommandations ont été spécifiées aux pages 27, 28, et 29 en ce qui concerne la disposition et la conservation de vos aliments dans le compartiment congélateur.

VIANDES ET POISSONS	Préparation	Durée de conservation (mois)	Durée de décongélation à température ambiante (heures)
Bifteck	Emballé dans un sachet	6 - 10	1 - 2
Viande d'agneau	Emballé dans un sachet	6 - 8	1 - 2
Rôti de veau	Emballé dans un sachet	6 - 10	1 - 2
Cubes de veau	En petits morceaux	6 - 10	1 - 2
Cubes de brebis	En morceaux	4 - 8	2 - 3
Viande découpée	En forme de paquets aplatis aux extrémités sans être épicés	1 - 3	2 - 3
Abats (entiers)	En morceaux	1 - 3	1 - 2
Saucisse/salami	Il doit être emballé même s'il est pelliculé	1 - 2	Jusqu'à ce qu'il soit bien dégivré
Poulet et dinde	Emballé dans un sachet	7 - 8	10 - 12
Oie/canard	Emballé dans un sachet	4 - 8	10
Chevreuil, sanglier, lapin	Portions de 2,5 kg et sans os	9 - 12	10 - 12
Poisson d'eau douce truite, carpe, thon, silure	Il doit être lavé et séché après un bon nettoyage et écaillage à l'intérieur. De même, la queue et les parties de tête doivent être coupées à l'endroit nécessaire.	2	Jusqu'à ce qu'il soit bien dégivré
Poisson maigre, bars, turbots, soles		4 - 8	Jusqu'à ce qu'il soit bien dégivré
Poissons gras, bonites, maquereaux, morues, anchois		2 - 4	Jusqu'à ce qu'il soit bien dégivré
Crustacés	Nettoyés et ensachés	4 - 6	Jusqu'à ce qu'il soit bien dégivré
Caviar	Dans son emballage, à l'intérieur d'une tasse en aluminium ou en plastique	2 - 3	Jusqu'à ce qu'il soit bien dégivré
Escargot	Dans de l'eau salée, à l'intérieur d'une tasse en aluminium ou en plastique	3	Jusqu'à ce qu'il soit bien dégivré

Remarque: Les aliments congelés doivent être cuisinés comme des produits frais une fois décongelés. Si la viande n'a pas été cuite après dégivrage, il ne sera plus jamais congelé.

FRUITS ET LEGUMES	Préparation	Durée de conservation (mois)	Durée de décongélation à température ambiante (heures)
Choux-fleurs	Retirez les feuilles, divisez-les en parties et conservez-les dans de l'eau contenant un peu de citron	10 - 12	Peut être utilisé sans attendre son dégivrage
Haricots verts, haricots à écosser	Lavez-les et coupez-les en tous petits morceaux	10 - 13	Peut être utilisé sans attendre son dégivrage
Pois	Écaillez et lavez-les	12	Peut être utilisé sans attendre son dégivrage
Champignons et asperges	Lavez-les et coupez-les en tous petits morceaux	6 - 9	Peut être utilisé sans attendre son dégivrage
Choux	Proprement	6 - 8	2-A température ambiante
Aubergines	Coupez en morceaux de 2 cm après le lavage	10 - 12	Peut être utilisé sans attendre son dégivrage
Maïs	Nettoyez-le et nettoyez ses grains ou avec son épi	12	Peut être utilisé sans attendre son dégivrage
Carottes	Nettoyez-les et coupez-les en morceaux	12	Peut être utilisé sans attendre son dégivrage
Piments	Pour enlever la tige, divisez-la en deux et séparez-en les graines	8 - 10	Peut être utilisé sans attendre son dégivrage
Epinards	lavés	6 - 9	2-A température ambiante
Pommes et poires	Découpez-les tout en épluchant leurs peaux	8 - 10	5-Dans le réfrigérateur
Abricots, pêches	Divisez-les en deux parties égales et enlevez-en les noyaux	4 - 6	4-Dans le réfrigérateur
Fraises, framboises	Lavez et nettoyez-les	8 - 12	2-A température ambiante
Fruits cuits	A l'intérieur d'une tasse avec 10% de sucre	12	4-A température ambiante
Prunes, cerises, cerises griottes	Lavez-les et enlevez-en les tiges	8 - 12	5-7 – Dans la température ambiante

Produits laitiers et pâtisseries	Préparation	Durée de conservation (mois)	Conditions de conservation	
Lait		2 - 3	Homogènes uniquement	
Fromages – autres que les fromages blancs	En forme de tranches	6 - 8	Ils peuvent être conservés dans leurs emballages originaux pour une période de conservation courte Ils doivent par ailleurs être emballés dans un sachet plastique pour une conservation à long terme.	
Butter, Margarine	Dans son emballage	6		
Oeufs*	Blancs d'oeuf	10 - 12	Dans une tasse fermée	
	Oeufs battus (jaune - blanc)	Bien mélangés, une pincée de sel ou de sucre pour éviter que l'aliment ne devienne trop épais	10	Dans une tasse fermée
	Jaune d'oeufs	Bien mélangés, une pincée de sel ou de sucre pour éviter que l'aliment ne devienne trop épais	8 - 10	Dans une tasse fermée

* Les oeufs doivent être congelés avec la coquille. Le blanc et le jaune de l'œuf doivent être conservés séparément ou bien mélangés.

	Durée de conservation (mois)	Durée de décongélation à température ambiante (heures)	Durée de décongélation dans le four (en minutes)
Pain	4 - 6	2 - 3	4-5 (220-225°C)
Biscuits	3 - 6	1 - 1,5	5-8 (190-200°C)
Tarte	1 - 3	2 - 3	5-10 (200-225°C)
Tourte	1 - 1,5	3 - 4	5-8 (190-200°C)
Pâtisserie phyllo	2 - 3	1 - 1,5	5-8 (190-200°C)
Pizza	2 - 3	2 - 4	15-20 (200°C)

Le goût de certaines épices découvertes dans des aliments cuisinés (anis, basilique, cresson de fontaine, vinaigre, épices assorties, gingembre, ail, oignon, moutarde, thym, marjolaine, poivre noir, saucisse, etc.) change et ils prennent un goût fort. Ainsi, l'aliment congelé doit recevoir une petite quantité d'épices ou l'épice souhaitée doit être ajoutée après dégivrage dudit aliment.

La période de conservation de l'aliment dépend de l'huile utilisée. Les huiles appropriées sont les suivantes : la margarine, le veau blanc, l'huile d'olive et de beurre. De l'autre côté, les huiles non convenables sont les huiles d'arachide, les huiles de beurre, et la graisse de porc.

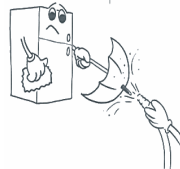
Les aliments en liquide doivent être congelés dans des tasses en plastique et les autres types d'aliment en sachets ou en sacs plastiques.

PARTIE 4. NETTOYAGE ET ENTRETIEN

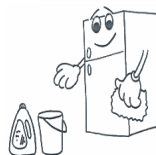
- Assurez-vous d'avoir débranché la fiche de la prise avant le début du nettoyage.



- Veuillez ne pas nettoyer le réfrigérateur en y versant de l'eau.



- Vous pouvez nettoyer les parties internes et externes de votre appareil avec de l'eau chaude et savonneuse et à l'aide d'un tissu ou d'une éponge douce.



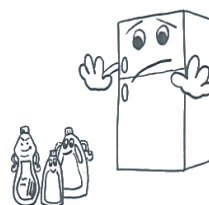
- Veuillez retirer les pièces les unes après les autres, et nettoyez-les à l'eau savonneuse.



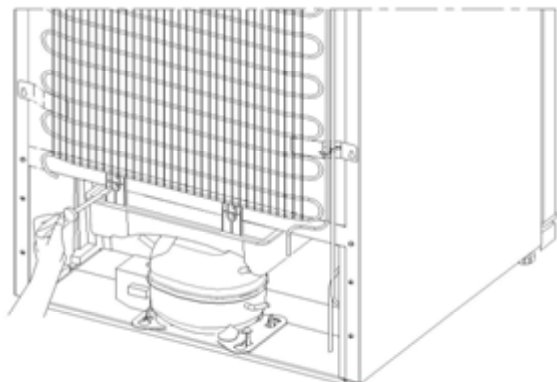
- Ne les nettoyez pas à l'intérieur d'un lave-vaisselle.

- Ne plus jamais utiliser des matériaux inflammables, combustibles ou dissolvants comme le diluant, l'essence, l'acide, à des fins de nettoyage.

- Pendant que vous suivez cette procédure, veuillez vous assurer que la fiche a été débranchée de la prise.



Dégivrage

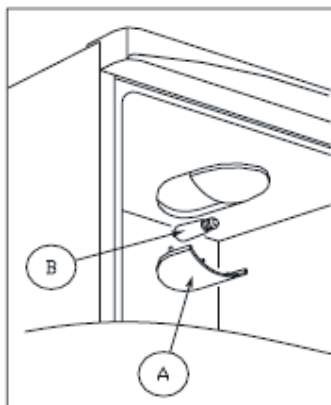


- Votre réfrigérateur effectue un dégivrage entièrement automatique. L'eau accumulée par suite de dégivrage traverse le compartiment de récupération d'eau, s'écoule vers le conteneur de vaporisation situé à l'arrière de votre réfrigérateur et s'y évapore seule.
- **Assurez-vous de débrancher votre réfrigérateur de la prise avant toute opération de nettoyage du récipient d'évaporation.**
- Sortez le récipient d'évaporation en enlevant ses vis tel qu'illustré dans le schéma. Nettoyez-le régulièrement à l'eau savonneuse. En procédant ainsi, vous éviterez la formation d'odeurs entêtantes.

Remplacement de l'ampoule

Pour remplacer l'ampoule dans les compartiments congélateur et réfrigérateur ;

- 1- Débranchez l'appareil de la prise et tournez le bouton du thermostat vers la position « 0 ».
- 2- Enlevez le couvercle du boîtier des fixations qui se trouvent en dessous au moyen d'un tournevis.
- 3- Remplacez-le avec une nouvelle ampoule dont la puissance ne dépasse pas 15 Watts.
- 4- Réinstallez le couvercle.
- 5- Branchez la fiche après avoir attendu 5 minutes ou restaurez le thermostat à sa position initiale.



PARTIE 5. TRANSPORT ET DEPLACEMENT

- Les emballages originaux et les mousses peuvent être conservés pour un éventuel nouveau transport (tel que souhaité).
- En cas de re-transport, vous devez attacher votre réfrigérateur avec un matériau d'emballage épais, des bandes adhésives, et des fils. N'oubliez pas de vous conformer à la réglementation relative au transport mentionnée dans l'emballage.
- Lors du déplacement ou du transport, enlevez d'abord les pièces mobiles qui se trouvent à l'intérieur de l'appareil (étagères, accessoires, compartiment légumes, etc.) ou reliez-les à l'aide du ruban adhésif à la plaque intérieure du réfrigérateur afin de les protéger contre les chocs.
- Veuillez prêter attention pour que votre réfrigérateur soit transporté verticalement.



Changement de la Direction d'Ouverture de la porte

(Dans certains modèles)

Au cas où vous auriez besoin de changer la direction d'ouverture de la porte, s'il vous plait consulter votre service d'après-vente domestique.

PARTIE 6. AVANT D'APPELER LE SERVICE APRES-VENTE

Si votre réfrigérateur ne fonctionne pas ;

- Connait-il une panne électrique?
- La fiche a-t-elle été correctement branchée dans la prise ?
- Le fusible auquel une prise a été branchée ou alors le fusible principal a-t-il connu une explosion ?
- La prise connaît-elle des défauts? Si tel est le cas, essayez la prise de votre réfrigérateur en la branchant à une autre prise dont vous êtes sûr qu'elle marche.

Si les tâches de réfrigération ne sont pas suffisamment effectuées par votre appareil :

- Les réglages du thermostat sont-ils à la position « 1 » ?
- Les portes de votre réfrigérateur s'ouvrent-elles très souvent et restent ouvertes pendant longtemps ?
- Les portes de votre réfrigérateur se ferment-elles entièrement ?
- Des tasses ou vaisselles ont-elles été placées dans votre réfrigérateur, de sorte que leur contact avec le mur arrière obstrue la circulation de l'air ?
- Votre réfrigérateur est-il exagérément plein ?
- Y a-t-il suffisamment d'espace entre votre réfrigérateur, l'arrière et les parois intérieures ?
- Votre réfrigérateur a-t-il été conçu de manière à fonctionner dans la plage de température environnementale dans les normes conformément à la classe du climat mentionnée dans l'étiquette de l'information. Le fonctionnement de l'appareil dans des environnements ayant des valeurs de température non conformes à celles spécifiées n'est pas recommandé pour une réfrigération efficace.

Classe Climatique	Température ambiante (°C)
T	Entre 16 et 43
ST	Entre 16 et 38
N	Entre 16 et 32
SN	Entre 10 et 32

Si le compartiment Réfrigérateur/Congélateur est plus froid qu'il le faut;

- Le réglage de température approprié a-t-il été effectué? Les boutons du thermostat sont-ils à la position « 5 » ?
- Y a-t-il un excès d'aliments nouvellement introduits dans le compartiment Congélateur ?
- Si tel est le cas, le compresseur prendra plus de temps pour le congeler; en conséquence, il peut également être en train de réfrigérer les aliments dans le compartiment Réfrigérateur plus qu'il ne le faut.

Si le réfrigérateur fonctionne en émettant un bruit ;

Le compresseur interviendra, de temps à autre, pour s'assurer que le niveau de fraîcheur réglé reste fixé. Les bruits perceptibles à partir du réfrigérateur à ce moment précis sont normaux selon la fonction requise.

Une fois le niveau de fraîcheur requis atteint, les bruits diminueront automatiquement. Si le bruit persiste :

- Votre appareil a-t-il été bien équilibré ? Ses pieds ont-ils été réglés ?
- Y a-t-il quelque chose derrière votre appareil ?
- Les étagères ou les assiettes qui s'y trouvent tremblent-elles ? Dans une telle situation, disposez à nouveau les étagères et/ ou les assiettes.
- Les objets sont-ils posés sur ce qui tremble ?

Bruits normaux

Crépitement (cliquetis de glace) :

- Ce bruit se fait entendre pendant le processus de dégivrage.
- Une fois l'appareil refroidi ou chauffé (les dilatations dans le matériel).

Court bruit de crépitement

- Ce bruit se fait entendre lorsque le thermostat active et désactive le compresseur.

Bruit émis par le compresseur

- C'est le bruit normal du moteur. Ce bruit indique que le compresseur fonctionne normalement.
- Lors de l'introduction du compresseur, il pourrait fonctionner avec un peu plus de bruit pendant une courte période.

Bouillonnement et gargouillis:

- Le bruit est émis à mesure que le liquide de refroidissement s'écoule à travers les tuyaux contenus dans le système.

Bruit d'écoulement d'eau:

- Il s'agit dans ce cas du bruit normal de l'eau qui s'écoule vers le récipient de vaporisation pendant le processus de dégivrage. Ce bruit est perceptible pendant le processus de dégivrage effectué à l'intérieur de l'appareil.
- Bruit d'écoulement d'eau semblable à celui du vent :
- C'est le bruit normal du ventilateur. Ce bruit peut être entendu à cause de la circulation de l'air dans les réfrigérateurs à froid ventilé pendant le fonctionnement normal du système.

Si les angles de la carrosserie du réfrigérateur contacté par le joint de la porte sont chauds ;

- Surtout en été (en temps chauds), il pourrait y avoir du chauffage sur les surfaces contactées par le joint sur le réfrigérateur, ce qui est tout à fait normal.

Si vous remarquez une humidification dans les parties internes de votre réfrigérateur ;

• L'aliment a-t-il été bien emballé ? Les tasses ont-elles été bien séchées avant d'être mises dans le réfrigérateur ?

• Les portes du réfrigérateur sont-elles ouvertes assez régulièrement ? Une fois la porte ouverte, l'humidité retrouvée dans l'air de la pièce pénètre dans le réfrigérateur. Surtout si le taux d'humidité contenu dans la pièce est trop élevé, plus la porte est ouverte fréquemment, plus rapidement aura lieu l'humidification.

• Il n'est pas surprenant de voir des gouttes d'eau se former à l'arrière du mur à la suite du processus de dégivrage automatique (dans des modèles statiques).

Si les portes ne s'ouvrent et ne se referment pas correctement

- Les emballages d'aliments empêchent-ils les portes de se refermer ?
- Les compartiments de la porte, les étagères, et les tiroirs ont-ils été bien fixés ?
- Les joints de la porte ont-ils été défectueux ou usés ?
- Votre réfrigérateur est-il positionné sur une surface plane ?

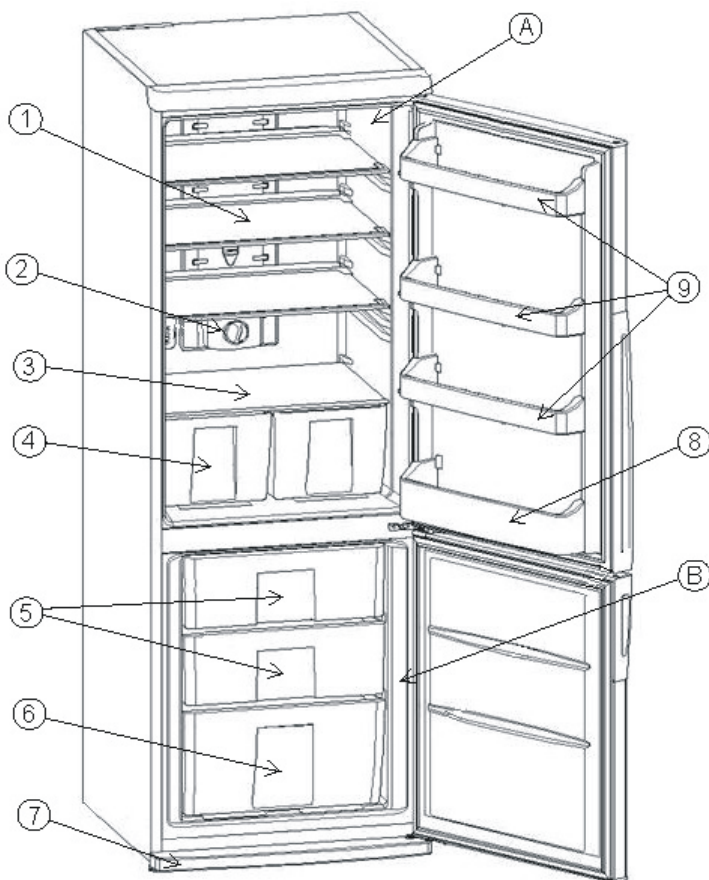
REMARQUE IMPORTANTE :

- En cas de coupure brusque de courant ou de débranchements et de branchements de la prise, l'élément thermique qui protège le compresseur sera éjecté dans la mesure où la pression du gaz contenu dans le système de refroidissement de votre réfrigérateur n'a pas encore été équilibré. 4-5 minutes plus tard, votre réfrigérateur ne commencera pas encore à fonctionner. Ne vous en faites pas pour autant.
- Si vous n'allez pas vous servir de votre appareil pendant longtemps (comme pendant les vacances d'été par exemple), veuillez débrancher la fiche de la prise. Nettoyez-le comme prescrit dans la partie 4 et laissez la porte ouverte pour éviter toute humidification et formation d'odeur.
- Si le problème persiste en dépit du respect de toutes ces règles à observer, veuillez consulter le service après-vente agréé de le plus proche.
- Le cycle de vie déterminé et proclamé par le ministère de l'Industrie (la période au cours de laquelle des pièces de rechange sont disponibles pour jouer leur rôle) est de 10 ans.

Informations relatives à la conformité

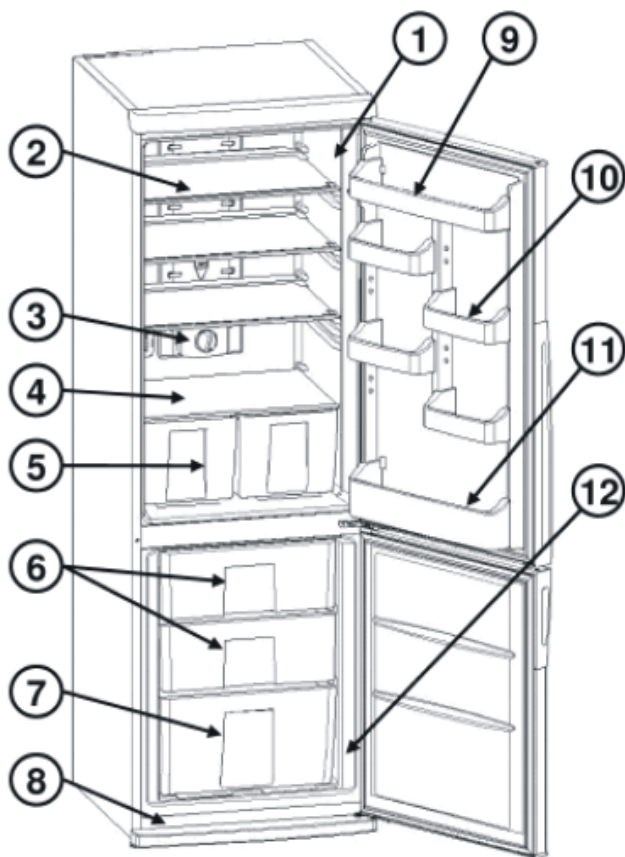
- La classe tropicale est définie pour les températures environnementales comprises entre 16°C et 43°C conformément aux normes TS EN ISO 15502.
- L'appareil a été fabriqué en conformité avec les normes E N1 55 02, IE C6 03 35 -1 / IEC60335-2-24, 2004/108/EC.

PARTIE 7. PIÈCES DU RÉFRIGÉRATEUR ET COMPARTIMENTS



Cette présentation ne sert que de renseignement sur les parties de l'appareil, Celles-ci pourraient varier en fonction du modèle de l'appareil.

- A) Compartiment Réfrigérateur
- B) Compartiment Congélateur
- 1) Étagère en verre du compartiment Réfrigérateur
- 2) Thermostat
- 3) Verre au-dessus du compartiment Légumes
- 4) Compartiment Légumes
- 5) Panier du milieu
- 6) Panier inférieur
- 7) Plaque de protection
- 8) Clayette porte-bouteille
- 9) Étagère supérieure



Cette présentation ne sert que de renseignement sur les parties de l'appareil, Celles-ci pourraient varier en fonction du modèle de l'appareil.

- 1) Compartiment Réfrigérateur
- 2) Etagère en verre du compartiment Réfrigérateur
- 3) Thermostat
- 4) Verre au-dessus du compartiment Légumes
- 5) Compartiment Légumes
- 6) Panier du milieu

- 7) Panier inférieur
- 8) Plaque de protection
- 9) Etagère supérieure
- 10) Etagère mobile
- 11) Clayette porte-bouteille
- 12) Compartiment Congélateur

Indice

PRIMA DI USARE IL FRIGORIFERO	38
Frigoriferi vecchi e non funzionanti	38
Informazioni Sulla Tecnologia No Frost	39
Avvertenze per la sicurezza	39
Installazione e funzionamento del frigorifero	41
Prima di iniziare a far funzionare il frigorifero	41
Impostazioni della temperatura	42
INFORMAZIONI PER L'USO	42
Avvertenze per le impostazioni della temperatura	42
POSIZIONE DEGLI ALIMENTI	43
Comparto raffreddamento	43
Comparto surgelati	44
PULIZIA E MANUTENZIONE	48
Sbrinamento	49
Sostituzione della lampadina	49
TRASPORTO E RIPOSIZIONAMENTO	50
Modifica del senso di apertura della porta	50
PRIMA DI RIVOLGERSI ALL'ASSISTENZA	51
PARTI E COMPONENTI DEL FRIGORIFERO	54

PARTE 1. PRIMA DI USARE IL FRIGORIFERO

Frigoriferi vecchi e non funzionanti

- Qualora il modello contenga R600a-vedere la targhetta all'interno del frigorifero (isobutano refrigerante), si tratta di un gas naturale che non è nocivo per l'ambiente ma è combustibile. Al momento del trasporto e dell'installazione dell'apparecchio prestare attenzione affinché nessuno dei componenti del circuito refrigerante resti danneggiato. In caso di danneggiamento evitare le fiamme vive o fonti di combustione e areare per alcuni minuti il locale in cui si trova l'apparecchio.
- Se si possiede un vecchio frigorifero munito di chiusura, rompere o rimuovere questa chiusura prima di smaltire il frigorifero, perché i bambini potrebbero rimanervi rinchiusi durante i loro giochi e causare un incidente.
- I vecchi frigoriferi e congelatori contengono un gas refrigerante che comprende materiali isolanti e CFC. Fare quindi attenzione a non danneggiare l'ambiente quando si smaltisce il vecchio frigorifero.

Nota Importante:

Leggere attentamente questo manuale d'uso prima di installare e mettere in funzione l'elettrodomestico. La nostra azienda non sarà responsabile di potenziali danni che possano derivare da un utilizzo non corretto.

Osservare tutte le avvertenze sull'elettrodomestico e sul manuale d'uso e conservare questo materiale illustrativo per chiarire possibili problemi che possano emergere in futuro.

Informazioni Sulla Tecnologia No Frost

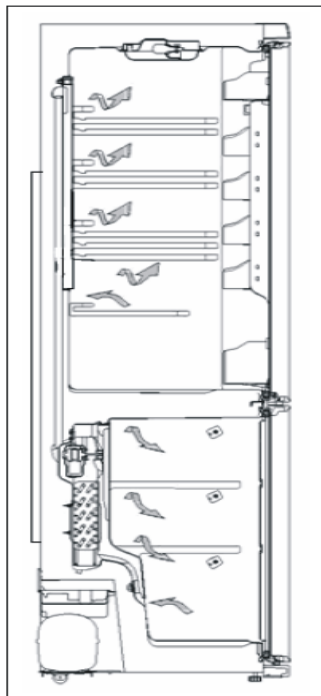
I frigoriferi no frost sono diversi dagli altri frigoriferi statici in termini di sistema operativo

Nei frigoriferi normali, nella sezione congelamento, l'umidità che viene dal cibo umido che entra nel frigorifero durante l'apertura della porta causa il congelamento all'interno della sezione congelamento.

Per sciogliere la brina e il ghiaccio che si sono formati, è necessario svolgere processi come spegnimento del frigorifero, estrazione degli alimenti che devono essere tenuti al freddo durante questo processo, la rimozione del ghiaccio accumulato.

Il caso dei frigoriferi no-frost, è interamente diverso. La ventola manda l'aria in modo omogeneo in molti punti delle sezioni raffreddamento e congelamento dello spazio secco e freddo. L'aria fredda che viene distribuita in modo omogeneo anche negli interspazi tra i ripiani non solo assicura che tutti gli alimenti si raffreddano in modo uguale e corretto ma non consente umidificazione e congelamento.

Il frigorifero no frost, quindi, garantisce grande comodità d'uso oltre al grande volume e all'aspetto estetico.



Avvertenze per la sicurezza

Attenzione: Non usare dispositivi meccanici o altri strumenti artificiali per accelerare il processo di sbrinamento. Non usare dispositivi elettrici nello scomparto di conservazioni cibi del dispositivo. Tenere libere le aperture di ventilazione del dispositivo. Non danneggiare il circuito refrigerante del frigo.

- Non usare prese multiple né prolunghie.
- Non inserire spine danneggiate, rotte o logore nella presa.
- Non tirare, piegare né danneggiare il cavo.



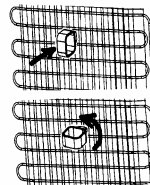
- Questo prodotto è stato progettato per essere utilizzato dagli adulti, non lasciare che i bambini giochino con esso e si lascino ciondolare appendendosi alla porta.
- Non estrarre mai la spina dalla presa con le mani bagnate per non causare uno shock elettrico.
- Non mettere bevande acide in bottiglie di vetro o lattine nella sezione surgelati del frigorifero. Le bottiglie e le lattine possono scoppiare.
- Per la propria sicurezza, non mettere alcun materiale esplosivo e infiammabile nel frigorifero. Mettere le bevande con alto contenuto di alcool nel comparto frigorifero con il tappo ben chiuso e in posizione verticale.
- Evitare ogni contatto manuale quando si estrae il ghiaccio che si produce nel comparto surgelati, il ghiaccio può causare ustioni e/o tagli.
- Non toccare mai gli alimenti congelati a mani nude! Non mangiare gelati e cubetti di ghiaccio appena estratti dal comparto surgelati!
- Non ricongelare gli alimenti congelati una volta che si sono scongelati. Questo può creare rischi per la salute perché può causare avvelenamento da cibi.
- Non coprire il corpo e/o la parte superiore del frigorifero con un centrino ricamato, ecc. Questo influenza le prestazioni del frigorifero.
- Fissare i componenti all'interno dell'elettrodomestico in modo che non si danneggino durante il trasporto.
- Se il cavo di alimentazione è danneggiato, deve essere sostituito dal produttore o dal tecnico per l'assistenza o da una persona qualificata.
- Questo elettrodomestico non deve essere usato da persone (compresi bambini) con capacità fisiche, sensoriali o mentali ridotte o che manchino di esperienze e conoscenze; a meno che non ricevano la supervisione o le istruzioni per l'uso dell'elettrodomestico da parte di una persona responsabile della loro sicurezza. I bambini devono essere controllati per assicurare che non giochino con l'elettrodomestico.
- Se il cavo di alimentazione è danneggiato, deve essere sostituito dal produttore o dal tecnico per l'assistenza o da una persona qualificata.



Installazione e funzionamento del frigorifero

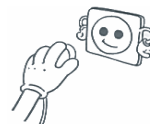
Prima di usare il frigorifero, osservare i punti che seguono:

- La tensione di esercizio del frigorifero è 220-240 V e 50 Hz.
- Uno spinotto speciale è in dotazione con il cavo di rete del frigorifero. Questo spinotto deve essere usato con una presa collegata a terra di almeno 16 ampere. Se in casa non c'è tale presa, farla realizzare da un elettricista autorizzato.
- La nostra azienda non sarà responsabile di danni che possano derivare da un utilizzo senza alcun collegamento a terra.
- Mettere il frigorifero in un punto in cui non sia esposto alla luce solare diretta.
- Deve essere ad almeno 50 cm di distanza da fonti di calore come piani cottura, forni, radiatori e stufe e ad almeno 5 cm da forni elettrici.
- Il frigorifero non deve essere usato all'aperto e non deve rimanere esposto alla pioggia.
- Se il frigorifero è posto accanto ad un congelatore, è necessario lasciare uno spazio di almeno 2 cm tra di essi per impedire la condensazione dell'umidità sulla superficie esterna.
- Non mettere alcun oggetto sul frigorifero e metterlo in un posto adatto in modo che ci sia uno spazio vuoto di almeno 15 cm sulla parte superiore.
- Se si mette il frigorifero accanto al lavello della cucina, fare attenzione a lasciare uno spazio di 2 cm tra di essi.
- Per impedire che il condensatore (la parte nera girevole sul retro) sia attaccato al muro, fissare l'elemento in plastica per la regolazione della distanza ruotandolo di 90°.
- Per assicurare un funzionamento del frigorifero uniforme e senza vibrazioni, i piedini anteriori regolabili devono essere posti all'altezza adatta ed equilibrati manualmente. È possibile farlo ruotando i piedini regolabili in senso orario (o in senso antiorario). Questa procedura deve essere eseguita prima di mettere gli alimenti nel frigorifero.
- Prima di usare il frigorifero, pulire tutte le parti con acqua tiepida a cui si può aggiungere un cucchiaino di bicarbonato, poi sciacquare con acqua pulita e asciugare.
 - Quando la pulizia è completa, riposizionare tutte le parti.



Prima di iniziare a far funzionare il frigorifero

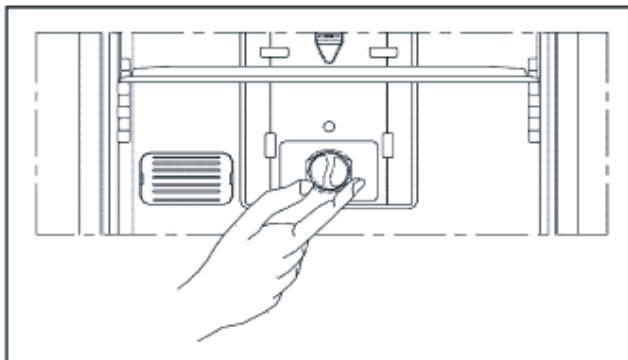
- Durante il primo funzionamento o per assicurarsi dell'efficienza dell'elettrodomestico dopo il processo di riposizionamento, lasciare il frigorifero spento per 3 ore (in posizione verticale) poi inserire la spina nella presa. In caso contrario, il compressore può danneggiarsi.
- La prima volta che si usa il frigorifero potrebbe sentirsi un odore che scompare quando esso inizia a congelare.



PARTE 2. INFORMAZIONI PER L'USO

Impostazioni della temperatura

Manopola del termostato di frigo e congelatore



Comparto raffreddamento

Assicura che le impostazioni di temperatura dei compartimenti raffreddamento e congelamento del frigorifero si eseguano automaticamente. Può essere impostato a un valore da 1 a 6. Ruotando la manopola di impostazione del termostato da 1 a 6 i gradi di raffreddamento aumentano. Per risparmiare energia nei mesi invernali, si può far funzionare il frigorifero a minimo.

Manopola del termostato del comparto raffreddamento;

5-6 : Per maggiore raffreddamento

3-5 : Per utilizzo normale

1-3 : Per raffreddamento minore.

Avvertenze per le impostazioni della temperatura

- Il termostato deve essere impostato tenendo presente quante volte viene aperta e chiusa la porta del frigo e del congelatore, quanti alimenti sono conservati e l'ambiente in cui il frigorifero si trova.
- Perché il frigorifero si raffreddi completamente dopo la prima connessione alla presa, deve funzionare continuamente fino a 24 ore a seconda della temperatura ambiente.
- Durante questo periodo, non aprire e chiudere spesso la porta del frigorifero e non riempirlo eccessivamente.
- Quando si desidera riaccendere il frigorifero dopo aver tolta la spina dalla presa, attendere almeno 5 minuti prima di inserire la spina per non causare danni al compressore.

PARTE 3. POSIZIONE DEGLI ALIMENTI

Comparto raffreddamento

DA NON FARE: Patate, cipolle e aglio non devono essere tenuti in frigorifero. La carne non deve mai essere congelata dopo essere stata scongelata se non è stata cotta.

- Per impedire la formazione di umidità e odori, gli alimenti devono essere posti in frigorifero in contenitori chiusi o comunque coperti.
- Alimenti e bevande devono raffreddarsi a temperatura ambiente prima di essere messi in frigorifero.
- Non appoggiare alimenti confezionati e contenitori alla lampadina e al coperchio del comparto raffreddamento.
- Frutta e verdura possono essere messi direttamente nel contenitore apposito senza avvolgerle separatamente.
- Di seguito vengono specificati alcuni consigli per il posizionamento e la conservazione degli alimenti nel comparto raffreddamento.

Alimento	Durata di conservazione	Posizione nel comparto raffreddamento
Frutta e verdura	1 settimana	Nel contenitore apposito (senza essere avvolte)
Pesce e carne	2-3 giorni	Avvolti nella pellicola o in un sacchetto di plastica o dentro il contenitore per la carne (sul ripiano di vetro)
Formaggi freschi	3-4 giorni	Nel ripiano speciale della porta
Burro, margarina	1 settimana	Nel ripiano speciale della porta
Prodotti in bottiglia, latte e yogurt	Come indicato dal produttore	Nel ripiano speciale della porta
Uova	1 mese	Nel ripiano porta-uova
Alimenti cotti		Su qualsiasi ripiano

DA NON FARE: Patate, cipolle e aglio non devono essere tenuti in frigorifero. La carne non deve mai essere congelata dopo essere stata scongelata se non è stata cotta.

Comparto surgelati

- Usare il comparto surgelati del frigorifero per la conservazione per un lungo periodo di tempo di cibi surgelati e per la fabbricazione di ghiaccio.
- Prima di introdurre alimenti non congelati si può impostare la posizione del termostato a 5.5 e preparare uno spazio vuoto per tali alimenti. Dopo 24 ore mettere gli alimenti che inizialmente si desiderava congelare nel cesto superiore del congelatore in modo da non superare la capacità di congelamento nominale del frigorifero. Gli alimenti saranno congelati 24 ore dopo l'introduzione. Quando il congelamento è completo, riportare il termostato alle condizioni di funzionamento normale.
- Non mettere gli alimenti da congelare vicino a quelli già congelati.
- Mettere a congelare gli alimenti (carne, carne tritata, pesce, ecc.) dividendoli in porzioni in modo da poterli consumare uno alla volta.
- Non ricongelare gli alimenti congelati una volta che si sono scongelati. Questo può creare rischi per la salute perché può causare avvelenamento da cibi.
- Non mettere alimenti molto caldi nel congelatore prima che si siano raffreddati. Questo farebbe imputridire altri alimenti precedentemente congelati nel congelatore.
- Quando si acquistano alimenti congelati, assicurarsi che lo siano stati nelle condizioni appropriate e che la confezione non sia rotta.
- Quando si conservano alimenti congelati devono essere osservate le indicazioni per la conservazione riportate sulla confezione. Se non ci sono istruzioni, gli alimenti devono essere consumati nel più breve tempo possibile.
- Gli alimenti congelati devono essere trasportati prima che si deteriorino e devono essere messi sul ripiano per il congelamento veloce appena possibile. Non usare i ripiani della porta per congelare.
- Se la confezione dell'alimento congelato è umida e ha un cattivo odore, l'alimento stesso potrebbe essere stato precedentemente conservato in condizioni non adatte e potrebbe essere marcio. Non acquistare tali alimenti!
- La durata di conservazione degli alimenti congelati cambia a seconda della temperatura ambiente, della frequenza di apertura e chiusura della porta, delle impostazioni del termostato, del tipo di alimento e del periodo trascorso tra l'acquisto dell'alimento e l'inserimento nel congelatore. Seguire sempre le istruzioni stampate sulla confezione e non superare mai la durata di conservazione.
- Durante lunghe interruzioni di energia non aprire la porta del comparto surgelati. A temperatura ambiente di 25°C, il frigorifero conserva gli alimenti congelati per circa 13 ore. Questo valore diminuisce a temperature ambiente alte. Durante interruzioni di energia più lunghe non ricongelare gli alimenti e consumarli il più presto possibile.
- Alcuni consigli per il posizionamento e la conservazione degli alimenti nel comparto raffreddamento sono stati specificati alle pagine 45, 46 e 47.

PESCE E CARNE	Preparazione	Durata di conservazione (mesi)	Durata per scongelamento a temperatura ambiente (ore)
Manzo	Avvolto in pellicola	6-10	1-2
Agnello	Avvolto in pellicola	6-8	1-2
Arrosto di vitello	Avvolto in pellicola	6-10	1-2
Bistecca di vitello	In piccoli pezzi	6-10	1-2
Bistecca di capretto	In parti	4-8	2-3
Carne trita	In pacchetti schiacciati senza spezie	1-3	2-3
Interiora	In parti	1-3	1-2
Salsiccia / salame	Da confezionare anche se coperti da pellicola		Fino a che sono ben scongelati
Pollo e tacchino	Avvolto in pellicola	7-8	10-12
Anatra / oca	Avvolto in pellicola	4-8	10
Cacciagione, cinghiale, coniglio	Porzioni di 2,5 kg e senza osso	9-12	10-12
Pesci d'acqua dolce, trota, carpa, tonno, pesce gatto	Deve essere lavato e asciugato dopo essere stato pulito all'interno e privato delle scaglie, se necessario, code e testa devono essere tagliate.	2	Fino a che sono ben scongelati
Pesci magri, spigola, rombo, sogliola		4-8	Fino a che sono ben scongelati
Pesci grassi, bonito, sgombro, pesce azzurro, acciughe.		2-4	Fino a che sono ben scongelati
Crostacei	Puliti e messi in sacchetti	4-6	Fino a che sono ben scongelati
Caviale	Nella sua confezione, in un contenitore di alluminio o plastica	2-3	Fino a che sono ben scongelati
Lumache	In acqua salata, in un contenitore di alluminio o plastica	3	Fino a che sono ben scongelati

Nota: Una volta scongelata, la carne congelata deve essere cotta come quella fresca. Se la carne non è stata cotta dopo essere stata congelata, non deve mai essere ricongelata.

FRUTTA E VERDURA	Preparazione	Durata di conservazione (mesi)	Durata per scongelamento a temperatura ambiente (ore)
Cavolfiore	Togliere le foglie, dividere in pezzi e lasciare in acqua contenente un poco di limone	10-12	Può essere usato congelato senza attendere che si scongeli
Fagiolini, fagioli stringa	Lavarli e tagliarli in piccoli pezzi	10-13	Può essere usato congelato senza attendere che si scongeli
Piselli	Pulirli e lavarli	12	Può essere usato congelato senza attendere che si scongeli
Funghi e asparagi	Lavarli e tagliarli in piccoli pezzi	6-9	Può essere usato congelato senza attendere che si scongeli
Cavolo	Pulirli	6-8	2-a temperatura ambiente
Melanzane	Tagliarle in pezzi di 2 cm dopo averle lavate	10-12	Possono essere usati congelati senza attendere che si scongelino
Granturco	Pulirlo e avvolgerlo nella sua pannocchia o sgranarlo	12	Può essere usato congelato senza attendere che si scongeli
Carote	Pulirle e tagliarle in piccoli pezzi	12	Può essere usato congelato senza attendere che si scongeli
Peperoni	Rimuovere il picciolo, dividere in due e togliere i semi	8-10	Può essere usato congelato senza attendere che si scongeli
Spinaci	Lavati	6-9	2-a temperatura ambiente
Mele e pere	Sbucciare e affettare	8-10	5-in frigorifero
Albicocche, pesche	Dividere in 2 e rimuovere il torsolo	4-6	4-in frigorifero
Fragole, mirtilli	Pulirli e lavarli	8-12	2
Frutta cotta	In una coppa con l'aggiunta di 10% di zucchero	12	4- a temperatura ambiente
Prugne, ciliegie, ciliegie acide	Lavare e rimuovere il picciolo	8-12	5-7 a temperatura ambiente

Prodotti caseari e dolci		Preparazione	Durata di conservazione (mesi)	Condizioni di conservazione
Latte			2 - 3	Solo omogeneizzato
Formaggio – diverso da formaggio a pasta bianca		A fette	6 - 8	Può essere lasciato nella confezione originale per una breve conservazione. Deve essere avvolto nella pellicola di plastica per una conservazione lunga
Burro, margarina		Nella propria confezione	6	In un contenitore coperto
Uova *	Albume		10 - 12	In un contenitore coperto
	Uovo intero (albume-tuorlo)	Mescolare molto bene, aggiungere un pizzico di sale per evitare che si ispessisca troppo	10	In un contenitore coperto
	Tuorlo	Mescolare molto bene, aggiungere un pizzico di sale per evitare che si ispessisca troppo	8 - 10	In un contenitore coperto

* Non deve essere congelato col guscio. Albume e tuorlo d'uovo devono essere congelati separatamente o essere ben mescolati.

	Periodo di conservazione (mesi)	Durata per scongelamento a temperatura ambiente (ore)	Durata per scongelamento in forno (minuti)
Pane	4 - 6	2 - 3	4-5 (220-225 °C)
Biscotti	3 - 6	1 - 1,5	5-8 (190-200 °C)
Torta	1 - 3	2 - 3	5-10 (200-225 °C)
Crostata	1 - 1,5	3 - 4	5-8 (190-200 °C)
Sfoglia	2 - 3	1 - 1,5	5-8 (190-200 °C)
Pizza	2 - 3	2 - 4	15-20 (200 °C)

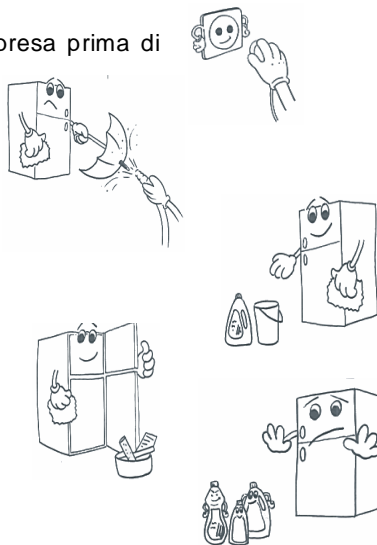
Il gusto di alcune spezie presenti in pietanze cotte (anice, basilico, crescione, aceto, spezie assortite, zenzero, aglio, cipolla, senape, timo, maggiorana, pepe nero, aromi per salsicce, ecc.) cambia e diventa più forte. Agli alimenti congelati, quindi, deve essere aggiunto un piccolo quantitativo delle spezie desiderate dopo lo scongelamento.

Il periodo di conservazione degli alimenti dipende dal condimento usato. I condimenti adatti sono margarina, grasso di vitello, olio di oliva e burro e quelli non adatti sono burro di arachidi e grasso di maiale.

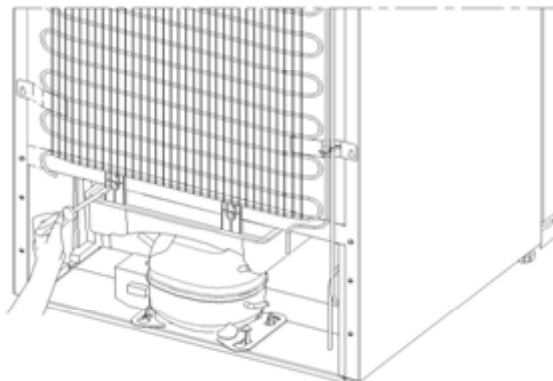
Le pietanze in forma liquida devono essere congelate in contenitori di plastica e gli altri alimenti in pellicola o sacchetti di plastica.

PARTE 4. PULIZIA E MANUTENZIONE

- Assicurarsi da aver scollegato la spina dalla presa prima di iniziare la pulizia.
- Non pulire il frigorifero versando acqua.
- Le parti interne ed esterne dell'apparecchio si possono pulire utilizzando un panno morbido o una spugna, imbevuti in acqua tiepida e sapone.
- Non lavarle in lavastoviglie.
- Per la pulizia, non usare mai materiali infiammabili, combustibili o solventi come diluenti, benzina, acidi.
- Verificare che la spina sia staccata dalla presa mentre si esegue questa procedura.



Sbrinamento

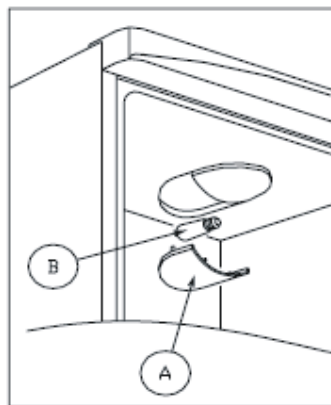


- Lo sbrinamento avviene del tutto automaticamente durante il funzionamento del frigorifero. L'acqua di sbrinamento viene raccolta dal vassoio di evaporazione collocato dietro il frigorifero da dove evapora automaticamente.
- **Controllare che il cavo dell'alimentazione del frigorifero sia stato scollegato prima di avviare la pulizia del vassoio di evaporazione.**
- Per rimuovere il vassoio di evaporazione dalla posizione in cui è montato, svitare le viti come indicato. Il vassoio di evaporazione deve essere pulito periodicamente con acqua e sapone. Così facendo si impedirà la formazione di cattivi odori.

Sostituzione della lampadina

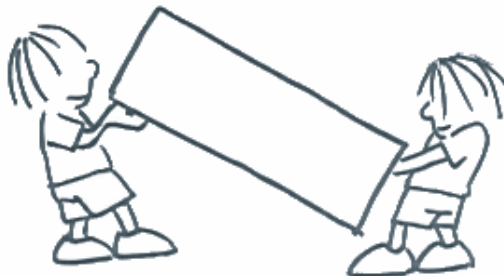
Per sostituire la lampadina nel comparto congelatore e in quello raffreddamento;

- 1- Scollegare la spina del frigorifero dalla presa e ruotare la manopola del termostato in posizione '0'.
- 2- Rimuovere il coperchio della scatola dai morsetti aiutandosi con un cacciavite.
- 3- Sostituire con una nuova lampadina che non superi 15 Watt.
- 4- Rimettere il coperchio.
- 5- Collegare la spina dopo 5 minuti o riportare il termostato alla posizione precedente.



PARTE 5. TRASPORTO E RIPOSIZIONAMENTO

- Le confezioni e il polistirolo originali possono essere conservati per lo spostamento (se lo si desidera).
- In caso di spostamento, avvolgere il frigorifero in materiale da imballo spesso, nastri e corde resistenti e attenersi strettamente alle regole per il trasporto indicate sulla confezione.
- Durante il riposizionamento o il trasporto, togliere prima le parti mobili del frigorifero (ripiani, accessori, porta-verdure, ecc.) o fissarle alla piastra inferiore del frigorifero per impedire sbalzi.
- Fare attenzione a trasportare il frigorifero in posizione verticale.



Modifica del senso di apertura della porta *(In alcuni modelli)*

È possibile cambiare la direzione di apertura delle porte del frigorifero. Per farlo, contattare l'assistenza autorizzata più vicina.

PARTE 6. PRIMA DI RIVOLGERSI ALL'ASSISTENZA

Se il frigorifero non funziona;

- C'è una interruzione di corrente?
- La spina è stata correttamente collegata alla presa?
- Il fusibile a cui è stata collegata la spina o il fusibile principale sono saltati?
- Ci sono guasti alla presa? Per verificarlo, provare la spina del frigorifero collegandolo ad una presa che funziona sicuramente.

Se il frigorifero non raffredda abbastanza:

- Le impostazioni del termostato sono a '1'?
- Le porte del frigorifero vengono aperte troppo spesso e restano aperte per lungo tempo?
- Le porte del frigorifero si chiudono completamente?
- Ci sono tazze o piatti messi nel frigorifero che toccano la parte posteriore in modo da impedire la circolazione dell'aria?
- Il frigorifero è troppo pieno?
- C'è spazio sufficiente tra il frigorifero e la parete posteriore e laterale.

Se gli alimenti nel comparto raffreddamento/congelamento è più freddo del necessario;

- È stata impostata la temperatura adatta? (La manopola del termostato è a '5'?)
- Ci sono troppo alimenti appena messi nel comparto surgelati?
- In tal caso, il compressore deve funzionare più a lungo per congelarli; di conseguenza può essere possibile che anche il raffreddamento nel comparto frigo impieghi più del necessario.

Se il frigorifero funziona in modo rumoroso;

Il compressore deve intervenire di tanto in tanto per assicurare che il livello di freddo stabilito resti fisso. Il rumore che si può sentire provenire dal frigorifero in quel momento è normale perché richiesto dalla funzione.

Una volta raggiunto il livello di freddo richiesto, i rumori devono diminuire automaticamente. Se si avverte ancora rumore:

- L'elettrodomestico è ben equilibrato? I piedini sono stati regolati?
- C'è qualcosa dietro l'elettrodomestico?
- I ripiani o i piatti su di essi si muovono? In tal caso, riposizionare ripiani e/o piatti.
- Gli oggetti posti sull'elettrodomestico si muovono? Rumori normali

Crepitio (crepitio del ghiaccio):

- Si sente durante il processo di sbrinamento automatico.
- Una volta che l'elettrodomestico si è raffreddato o riscaldato (dilatazione dei materiali dell'elettrodomestico).
- Breve schiocco
- Si sente quando il termostato accende e spegne il compressore.
- Rumore del compressore
- È il normale rumore del motore. Questo rumore indica che il compressore funziona normalmente.
- All'attivazione del compressore, potrebbe funzionare un po' più rumorosamente per un breve periodo di tempo.

Gorgoglio e brontolio:

- Questo rumore viene prodotto quando il liquido di raffreddamento fluisce lungo i tubi dell'impianto.
- Rumore di acqua che scorre:
- Questo è il normale rumore dell'acqua che scorre nel contenitore di vaporizzazione durante il processo di scongelamento. Questo suono si può udire durante il processo di sbrinamento eseguito dell'elettrodomestico.

Rumore tipo soffio:

- È il normale rumore della ventola. Questo suono si può udire per la circolazione dell'aria nei frigoriferi no frost quando l'impianto funziona normalmente.

Se i bordi della cabina del frigorifero a contatto con le guarnizioni della porta sono troppo caldi:

- Specialmente nei mesi estivi (nei climi caldi) le superfici a contatto con le guarnizioni del frigorifero possono scaldarsi, il che è normale.

Se c'è umidità nella parti interne del frigorifero;

- Gli alimenti sono stati confezionati correttamente? I contenitori sono stati asciugati bene prima di essere messi nel frigorifero?
- Le porte del frigorifero vengono aperte di frequente? Quando la porta viene aperta, l'umidità dell'aria dell'ambiente entra nel frigorifero. Specialmente se il tasso di umidità dell'ambiente è molto alto, più spesso si apre la porta più veloce sarà l'umidificazione.
- È normale vedere gocce d'acqua formarsi sulla parete posteriore dopo il processo di sbrinamento automatico (nei modelli statici).

Se le porte non si aprono o si chiudono correttamente:

- Gli alimenti impediscono alla porta di chiudersi?
- Comparti della porta, ripiani e cassette sono stati posizionati correttamente?
- Le guarnizioni della porta sono difettose o usurate?
- Il frigorifero sta su una base uniforme?

Se il frigo non raffredda abbastanza:

Il frigo è progettato per funzionare con intervalli a temperatura ambiente stabiliti negli standard in base alla classe climatica indicata nell'etichetta informativa. Si sconsiglia in funzionamento con temperature esterne ai limiti stabiliti in termini di efficacia di raffreddamento.

Classe	Temperatura ambiente (°C)
T	Tra 16 e 43 (°C)
ST	Tra 16 e 38 (°C)
N	Tra 16 e 32 (°C)
SN	Tra 10 e 32 (°C)

NOTE IMPORTANTI:

- In caso di improvvisa mancanza di energia elettrica o di disconnessione e connessione della spina alla presa, l'elemento di protezione termica del compressore sarà espulso perché la pressione del gas nel sistema di raffreddamento del frigorifero non è stato ancora bilanciata. Dopo 4-5 minuti, il frigorifero inizia a funzionare; non c'è nulla di cui preoccuparsi.
- Se non si userà il frigorifero per un lungo periodo (come durante le vacanze estive) scollegare la spina dalla presa. Pulire il frigorifero come spiegato nella parte 4 e lasciare la porta aperta per impedire formazione di umidità e odori.

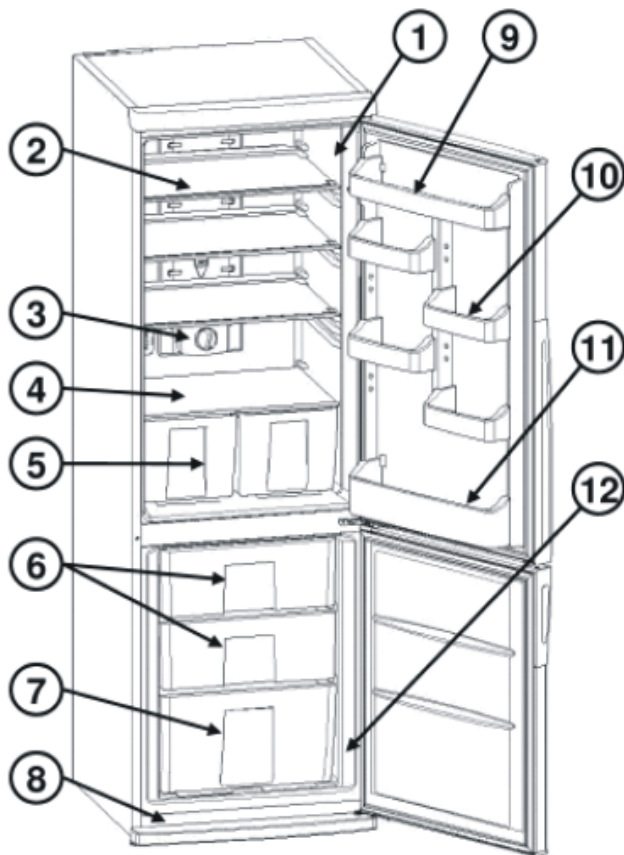
Se ci sono ancora problemi al frigorifero dopo aver eseguito tutto quanto spiegato in queste avvertenze, contattare l'assistenza autorizzata più vicina.

Il ciclo vitale stabilito e dichiarato dal Ministero dell'industria (il periodo per ricevere parti di ricambio perché l'elettrodomestico possa svolgere le sue funzioni) è 10 anni.

Dichiarazioni di conformità

- La classe Tropical è progettata per temperature comprese tra 16°C e 43°C in conformità alla norma TS EN ISO 15502.
- L'apparecchio è stato concepito in conformità con le norme EN15502, IEC60335-1/IEC60335-2-24, 2004/108/EC.

PARTE 7. PARTI E COMPONENTI DEL FRIGORIFERO



Questa presentazione è puramente informativa sui componenti dell'apparecchio.

I componenti potrebbero variare secondo il modello dell'apparecchio.

1) Comparto raffreddamento

2) Ripiano di vetro

3) Termostato

4) Vetro al di sopra del porta-verdure

5) Porta-verdure

6) Contenitore mediano

7) Contenitore inferiore

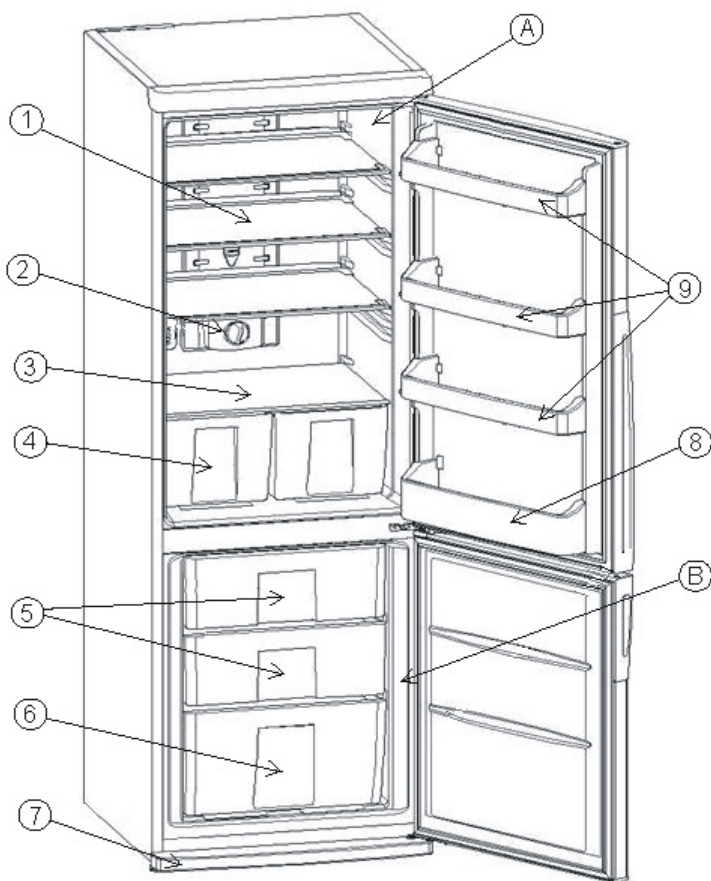
8) Piastra di base

9) Ripiano superiore

10) Ripiano asportabile

11) Porta bottiglie

12) Scomparto congelatore



Questa presentazione è puramente informativa sui componenti dell'apparecchio.

I componenti potrebbero variare secondo il modello dell'apparecchio.

A) Comparto raffreddamento

B) Scomparto congelatore

1) Ripiano di vetro

2) Termostato

3) Vetro al di sopra del porta-verdure

4) Porta-verdure

5) Contenitore mediano

6) Contenitore inferiore

7) Piastra di base

8) Porta bottiglie

9) Ripiano superiore

