

### THANK YOU FOR PURCHASING A CANNONDALE

Congratulations on your purchase of a Cannondale IQ Series computer. Proper setup and operation will greatly enhance this product's usefulness and your enjoyment. Please follow all Warnings and read all sections of this manual carefully and become fully familiar with its operation before using it.

### YOUR CANNONDALE RETAILER

Along with this manual, your key source of information and assistance is the shop where you purchased this product. Your local Authorized Cannondale Retailer is your primary contact to discuss service and adjustment to this product, instruction in its use, and any warranty questions.

To find an Authorized Cannondale Retailer closest to you, call 1-800-BIKE-USA. Or you can use our dealer locator at our website [www.cannondale.com](http://www.cannondale.com).

### IMPORTANT INFORMATION FOR ALL CANNONDALE CYCLING COMPUTERS

#### ⚠ WARNINGS

**WIRELESS COMPUTER MODELS (IQ200, IQ300, and IQ400)** - People with medical/implanted electronic equipment or devices such as heart pacemakers, EKG equipment, etc. must not use wireless cycle computers due to possible risk of interference with the medical devices.

**EXERCISE** - Adults with health problems (such as heart disease, diabetes or obesity) or those at high risk, men over age 40 and women over age 50 or pregnant should talk with their doctor before starting an exercise program.

**INTENDED USE:** For bicycle use only. Not for use on any motorized vehicle.

**OPERATE COMPUTER ONLY WHEN NOT RIDING:** Failure to pay attention to the road, trail, traffic or your surroundings could result in an accident, with risk of serious injury, paralysis or death. You must focus on riding, not your computer. Learn computer operations, and do all possible computer operations when not riding. For any operations you choose to perform while riding, choose a time and place where this distraction has less risk.

**MAKE SURE ALL COMPUTER PARTS ARE INSTALLED PROPERLY:** The computer must not interfere with the bicycle controls and your ability to use them. Mount the computer according to the directions in this instruction manual. See your Authorized Cannondale Retailer if you have any trouble installing or maintaining your computer.

**CHECK FOR DAMAGE REGULARLY:** Regularly check the position, alignment, and condition of the spoke magnet, wireless sensor, cadence sensor, sensor and sensor wire to make sure they are secure, aligned and in good condition. Make sure nothing is loose and there are no worn or damaged parts.

**BATTERIES:** Use only battery size and type specified on the unit. Do not leave any batteries in reach of children, and dispose of them correctly. If a battery is swallowed, consult a doctor immediately.

**NOT A TOY:** Keep this computer and associated parts including the battery away from children. Small parts could be swallowed.

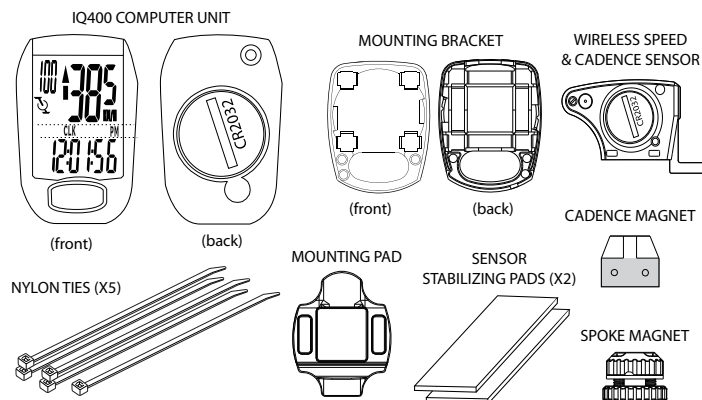
**YOU CAN BE SEVERELY INJURED, PARALYZED OR KILLED IN AN ACCIDENT IF YOU IGNORE THESE WARNINGS.**

#### NOTICE

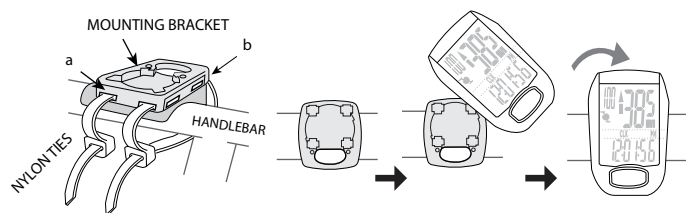
- This product is rain-proof only. Do not submerge or power wash.
- Do not disassemble the unit.
- Mount the computer according to the directions in this instruction manual.
- Avoid direct impact to the computer unit.
- Avoid using the computer unit in or near strong electromagnetic fields such as high-voltage power lines or other transmitters.
- Clean the unit with a mild detergent and a soft dry cloth. Never use any kind of solvent or alcohol.
- To prevent damage caused by battery leakage, remove the batteries before storage or long period of non-use. Do not reverse battery installation. Observe positive (+) and negative (-) markings.
- **WIRELESS MODELS (IQ200, IQ300, IQ400)** Wireless computer uses an analog wireless signal. It is not digitally coded but uses technology to lower the chance of interference with circuitry used in other electronic devices such as lights, phones, computers, etc.

### COMPUTER PARTS

Check the following components before installation:



### COMPUTER INSTALLATION

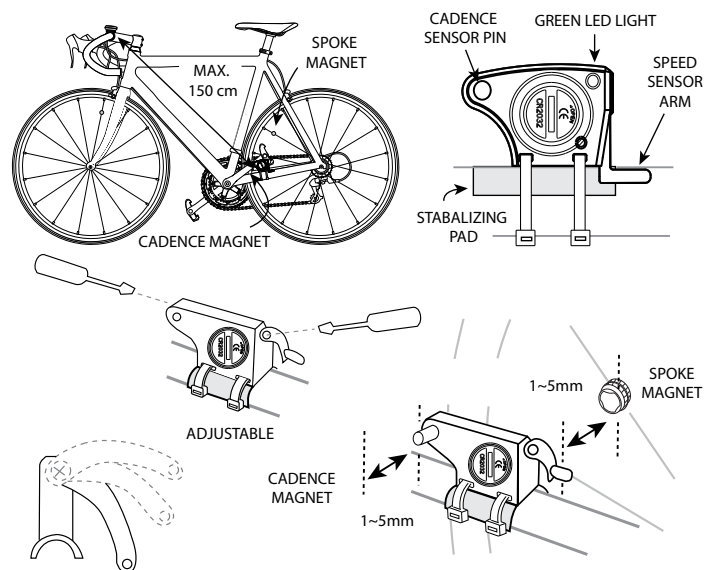


The computer unit can be mounted on a bicycle handlebar or stem.

1. To mount the bracket, insert two nylon ties through the mounting bracket slots. (a) - handlebar slots, (b) stem slots
2. Insert the rubber pad into back of mount bracket for handlebar or stem by aligning slots in the back of the mount with the pad.
3. Position the pad/bracket onto the handlebar or stem and tighten both nylon ties securely. Carefully snip tie ends 1-2mm from tie head.

To mount the computer onto the bracket, position it into the bracket at a 45 degree angle, hold down and rotate the computer unit clockwise to lock it in place. To remove it, rotate the computer counter-clockwise and lift it off.

### SENSOR INSTALLATION



1. Loosen (DO NOT REMOVE) the screw on the adjustable Speed Sensor arm. Position the sensor on the top of the non-drive chainstay within 150 mm of the computer. The Cadence Sensor pin and battery door must point out toward the crank arm as shown.

2. Pass the two cable ties through the sensor mounting holes and loosely mount the sensor body to the non-drive side chainstay (do not fully tighten the cable ties at this point). Install the sensor stabilizing pad between the chainstay and sensor.
3. Secure the sensor to the non-drive side chainstay with 2 nylon ties. Loosely install the sensor magnet to one of the spokes of the rear wheel. Make sure the silver side of the magnet faces toward the sensor arm. Adjust the position of the magnet, sensor arm and sensor together so that the magnet passes by the full length of the sensor arm and 1-2 mm separates the magnet and sensor arm.
4. Loosely mount the Cadence Magnet to the inside of the crank arm using 1 of the nylon ties. Make sure the word "Sensor" faces toward the Cadence Sensor pin and a small piece of stabilizing pad is installed between the Cadence Magnet and the crank arm.

**IMPORTANT:** Proper adjustment of the clearances between magnets and sensors must be accurate for proper computer function. There are multiple ways to make accurate adjustments and requires care when setting up the sensors.

5. Set the Speed Sensor-to-magnet and Cadence Sensor-to-magnet gaps by tilting the sensor toward or away from pickup zone. Adjust the position of the Cadence Sensor pin and Speed Sensor arm as needed - make sure to loosen or tighten the screw on the front edge of the sensor body when adjusting the Cadence Sensor pin. The maximum distance between the speed sensor and magnet on the spoke is 5 mm. The maximum distance between the cadence sensor and magnet on the crank arm is 5mm.
6. When set, draw the nylon ties tight but do NOT fully tighten. This will allow for minor adjustments after the computer setup is complete.

### SETTING CALORIES BURNED (KCAL)

This computer can estimate calories burned while riding. The estimate is based on weight, gender, time ridden and average speed. **IMPORTANT:** The estimate is truly an estimate. Actual calories burned will vary depending on many variables the computer does not calculate such as heart rate.

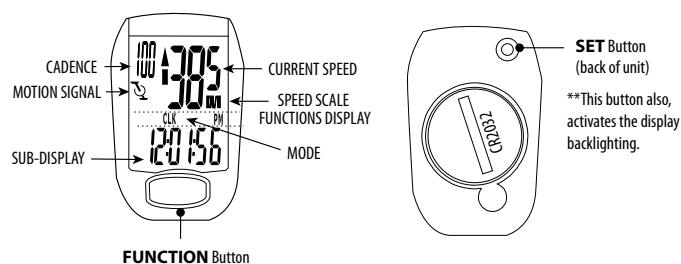
1. Press **FUNCTION** until the "**KCAL**" displays.
2. Press and hold **SET** for >3 seconds to begin programming.
3. Press **SET** to select gender "**MALE**" or "**FEMALE**".
4. Press **FUNCTION** to store gender.
5. Press **SET** to change weight unit "Kg" or "Lb".
6. Press **FUNCTION** to begin entering your weight in unit selected.
7. Press or hold Set to change the weight. Range: 0 ~ 150 Kg, 0-330 Lb.
8. Press and hold the Function for 3 seconds to exit programming.

### RESETTING THE ODOMETER (ODO)

If the battery is replaced, it is possible to update the odometer to the mileage on your bike after replacing the battery.

1. Press **FUNCTION** until the "**ODO**" displays.
2. Press and hold **SET** for >3 seconds to begin programming.
3. Press **FUNCTION** until "**00000**" (five zeros) and "**ODO**" appears on the screen
4. Press **SET** to change the appropriate numbers. Press **FUNCTION** to change cursor position.
5. Repeat step 4 until the odometer is set.
6. Press and hold **FUNCTION** for 3 seconds to exit programming.
7. Verify the computer shows speed and cadence. If not, you may have to complete the Final Set Up steps shown in these instructions.

### MAIN DISPLAY AND FUNCTIONS



To begin using the computer, simply press the **FUNCTION** button. Following installation, the computer is activated automatically by a rotating wheel. There are 2 power saving modes - 50% savings if no movement after 5 minutes, 100% power savings after 30 minutes.

Press the **SET** button to exit the power saving modes prior to using the computer.

Press the **FUNCTION** button, to switch the computer through the following functions:

- "**CLK**" - Clock feature, in 12/24 hr format
- "**TM**" - Time ridden for 1 ride
- "**AVS**" - Average speed for 1 ride
- "**MXS**" - Maximum speed for 1 ride
- "**A. CAD**" - Average cadence per minute for 1 ride
- "**M. CAD**" - Maximum cadence for 1 ride
- "**DST**" - Distance ridden for 1 ride
- "**ODO**" - Total miles ridden for all rides
- "**KCAL**" - Calories burned (estimate) for 1 ride
- "**DAILY**" - Distance ridden in the past 24 hours
- "**SCAN**" - Computer display scans all functions. Press the FUNCTION button to stop scanning.

To turn on the backlight, press and release the **SET** button. The backlight will stay on for three (3) seconds.

"TM, AVS, MXS, DST, and KCAL" are recorded automatically as soon as the wheel moves. A CAD and M CAD are automatically recorded as soon as the crank moves. Recording stops if the wheel stops. Cadence recording stops if the crank stops. To clear this information, press and hold the **SET** button in the "TM" mode.

### GENERAL NOTES FOR PROGRAMMING ALL FUNCTIONS:

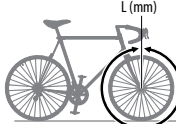
- Press and hold **SET** for 3 seconds to begin programming a function.
- Press the **SET** to change the value of a selected field. Press/hold SET to change value rapidly.
- Press the **FUNCTION** button to move the cursor to the next field.
- Press and hold the **FUNCTION** button for 3 seconds to exit programming.

### SETTING THE CLOCK (CLK)

1. Press **FUNCTION** until the "**CLK**" function shows.
2. Press and hold **SET** for >3 seconds to begin programming.
3. Press **SET** to change to "12H" or "24H" hour mode.
4. Press the **FUNCTION** to move the cursor to the hour field
5. Press **SET** hour.
6. Repeat steps 4 and 5 to set Minutes and Seconds.
7. Press and hold the **FUNCTION** button for 3 seconds to exit programming.

### SETTING THE WHEEL SIZE

1. Press **FUNCTION** until the "ODO" displays.
2. Press and hold **SET** for >3 seconds to begin programming.
3. Press **SET** to change to "KM/H" or "M/H"
4. Determine your **Tire Size** then find the corresponding **L (mm)** in the chart below.
5. Press **FUNCTION** to move the cursor to the first field.
6. Press **SET** to change the 1st digit of 4 numbers for the **L (mm)**.  
Repeat steps 5 and 6 until the proper **L (mm)** is entered.
7. Press and hold **FUNCTION** for 3 seconds to exit programming.
8. Verify the computer shows speed and cadence. If not, you may have to complete the Final Set Up steps shown in these instructions.

L (mm)		Tire Size	L (mm)	Tire Size	L (mm)
		24 X 1.75	1890	27 X 1-3/8	2169
		24 X 2.00	1925	650 X 20C	1938
		24 X 2.125	1965	650 X 23C	1944
		26 X 7/8	1920	650 X 35A	2090
		26 X 1(59)	1913	650 X 38A	2125
		26 X 1(65)	1952	650 X 38B	2105
		26 X 1.25	1953	700 X 18C	2070
Tire Size	L (mm)	26 X 1-1/8	1970	700 X 19C	2080
14 X 1.50	1020	26 X 1-3/8	2068	700 X 20C	2086
14 x 1.75	1055	26 X 1-1/2	2100	700 X 23C	2096
16 X 1.50	1185	26 X 1.40	2005	700 X 25C	2105
16 X 1.75	1195	26 X 1.50	2010	700 X 28C	2136
18 X 1.50	1340	26 X 1.75	2023	700 X 30C	2146
18 X 1.75	1350	26 X 1.95	2050	700 X 32C	2155
20 X 1.75	1515	26 X 2.00	2055	700C Tubular	2130
20 X 1-3/8	1615	26 X 2.10	2068	700 X 35C	2168
22 X 1-3/8	1770	26 X 2.125	2070	700 X 38C	2180
22 X 1-1/2	1785	26 X 2.35	2083	700 X 40C	2200
24 X 1	1753	26 X 3.00	2170	29 X 2.1	2288
24 X 3/4 Tubular	1785	27 X 1	2145	29 X 2.3	2326
24 x 1-1/8	1795	27 X 1-1/8	2155		
24 X 1-1/4	1905	27 X 1-1/4	2161		

### FINAL SET UP

**IMPORTANT: After the computer is programmed, final set up must be confirmed.**

1. Install the computer onto the mounting bracket.
2. Gently spin the wheel. Verify the Speed and Cadence magnets to not hit the sensor arms.
3. Gently spin the cranks then check the display to verify the Speed and Cadence are showing on the computer. The green LED light on the sensor should also flash verifying proper set up. If either is not appearing on the screen and the LED is not flashing, adjust the gaps between magnets. Spin the cranks again.
4. If the speed or cadence do not appear on the screen after steps 1-3 are complete, you may have to pair the sensor to the computer again.
  - 4a. With the computer mounted, press and hold the SET and FUNCTION buttons at the same time for 5 seconds.
  - 4b. Turn the cranks. A 2 digit ID code between "00-63" will appear on the screen. Press the SET button. Turn the cranks when the Sub-Display flashes lines "-----". Continue turning the cranks for 10 seconds. Pairing is complete when the computer returns to the home screen.
  - 4c. If "ERR" appears in the screen, repeat steps 1 through 4b.
5. When all setup including sensors and magnets is complete, draw the nylon ties securely. Carefully snip the tie ends 1-2mm from tie head.

### BATTERY REPLACEMENT

Remove the computer from the handlebar mount. Use a coin to unscrew the battery door. Turn counter-clockwise. Remove the old battery. Place a new battery (CR2032) into the computer with the positive "+" marking of the battery facing up. Replace the battery door.

Follow these steps for replacing the sensor battery (CR2032).

Verify the computer shows speed and cadence. If not, you may have to complete the Final Set Up steps shown in these instructions.

### IQ400 Specifications

Operating Temperature	0° C ~ 40° C, ( 32° F ~ 104°F)
Storage Temperature	-10° C ~ 50° C, ( 14° F ~ 122°F)
Battery	3 volt lithium, CR2032 cell
Weight	30.6 grams
Timer Range:	0~29 (hour): 59 (minute): 59 (second)
Current Speed Range:	0 ~ 99.9 KM/ 0~62 Mile
Average Speed Range:	0 ~ 99.9 KM/ 0~62 Mile
MAX Speed Range:	0 ~ 99.9 KM/ 0 ~ 62 Mile
(Trip) Distance Range:	0 ~ 999.99 KM/ 0~600 Mile
Odometer Range:	0 ~ 99999 KM/ 0 ~ 62000 Mile

### TROUBLESHOOTING

CONDITION	ACTION
Wheel moving but current speed does not appear	Check/adjust sensor and magnet gap. Battery is low -> replace
"ERR01" appears on display	Battery low -> replace
"ERR" appears on display	Interference from another electronic device-> turn off or move electronic device
Display is blank, very light or black	Battery low -> replace. Computer too hot -> move to cool area.
Display changes slowly	Computer too cold -> move to warm area

### CANNONDALE CONTACT INFORMATION

<p><b>CANNONDALE USA</b> Cycling Sports Group, Inc. 172 Friendship Road, Bedford, Pennsylvania, 15522, USA (Voice): 1-800-BIKE-USA (Fax): 814-623-6173 custserv@cyclingsportsgroup.com</p>	<p><b>CANNONDALE EUROPE</b> Cycling Sports Group Europe, B.V. mail: Postbus 5100 visits: Hanzepoort 27 7570 GC, Oldenzaal, Netherlands (Voice): + 41 61.4879380 (Fax): 31-5415-14240 servicedeskeurope@cyclingsportsgroup.com</p>
<p><b>CANNONDALE AUSTRALIA</b> Cycling Sports Group Australia Pty Limited Unit 8, 31-41 Bridge Road Stanmore, NSW 2048, Australia (Voice): 61-2-85954444 (Fax): 61-2-85954499 cannondale@cyclingsportsgroup.com.au</p>	<p><b>CANNONDALE JAPAN</b> Namba Sumiso Building 9F, 4-19, Minami Horie 1-chome, Nishi-ku, Osaka 550-0015, Japan (Voice): 06-6110-9390 (Fax): 06-6110-9361 cjcustserv@cannondale.com</p>
<p><b>CANNONDALE UK</b> Cycling Sports Group Vantage Way, The Fulcrum, Poole, Dorset, BH12 4NU (Voice): +44 (0)1202 732288 (Fax): +44 (0)1202 723366 sales@cyclingsportsgroup.co.uk</p>	

### MERCI D'AVOIR CHOISI UN PRODUIT CANNONDALE !

Nous vous félicitons pour l'achat de votre compteur de vélo Cannondale série IQ. Le plaisir d'utiliser ce produit est conditionné par un bon réglage et une utilisation appropriée.

Veuillez respecter tous les Avertissements et lisez attentivement toutes les sections de ce Manuel afin de vous familiariser avec le fonctionnement du produit avant de commencer à l'utiliser.

### VOTRE REVENDEUR CANNONDALE

Outre ce manuel, une source d'information et un point d'assistance précieux n'est autre que le magasin dans lequel vous avez acheté ce produit. Votre revendeur agréé Cannondale est votre contact privilégié pour obtenir des conseils sur l'utilisation, l'entretien et le réglage de ce produit, et pour toute question concernant la garantie.

Pour trouver le Revendeur Cannondale Agréé le plus près de chez vous, appelez le 1-800-BIKE-USA, ou utilisez l'outil de recherche de revendeur Cannondale sur le site Web : [www.cannondale.com](http://www.cannondale.com).

### INFORMATIONS IMPORTANTES AU SUJET DE TOUS LES COMPTEURS DE VÉLO CANNONDALE

#### AVERTISSEMENTS

**MODÈLES DE COMPTEURS DE VÉLO SANS FIL (IQ200, IQ300 et IQ400) :** les personnes portant un dispositif ou un implant électronique médical tel qu'un stimulateur cardiaque, un équipement ECG, etc., ne doivent pas utiliser de compteur de vélo sans fil, en raison des risques d'interférences avec les équipements médicaux.

**EXERCICE :** les adultes ayant des problèmes de santé (tels qu'une maladie cardiaque, un diabète ou de l'obésité) ou les personnes présentant des risques élevés, les hommes de plus de 40 ans, les femmes de plus de 50 ans ou les femmes enceintes, doivent demander l'avis de leur médecin avant de commencer un programme d'exercice/entraînement physique.

**UTILISATION PRÉVUE :** Pour utilisation sur un vélo uniquement. NON prévu pour une utilisation sur un véhicule motorisé.

#### N'EFFECTUEZ PAS D'OPÉRATIONS SUR LE COMPTEUR DE VÉLO LORSQUE VOUS ROULEZ :

Tout manquement de vigilance par rapport à la route, piste, terrain, environnement proche et à la circulation automobile peut entraîner un accident et provoquer des blessures graves, voire mortelles, ou une paralysie. Vous devez concentrer votre attention sur la conduite, et non sur le compteur de vélo. Apprenez à utiliser le compteur de vélo et effectuez toutes les opérations possibles lorsque vous n'êtes pas en train de rouler. Pour toutes les opérations que vous souhaitez effectuer pendant que vous roulez, choisissez un moment et un endroit où le manque de concentration sur la conduite présente moins de risques.

#### VÉRIFIEZ QUE TOUS LES ÉLÉMENTS DU COMPTEUR DE VÉLO SONT INSTALLÉS CORRECTEMENT :

Le compteur de vélo ne doit pas interférer avec les autres commandes du vélo ni gêner leur utilisation. Installez le compteur de vélo en respectant les instructions fournies dans le présent Manuel. Si vous rencontrez des difficultés pour installer, utiliser ou entretenir votre compteur de vélo, consultez votre Revendeur Agréé Cannondale.

**VÉRIFIEZ RÉGULIÈREMENT L'ABSENCE DE DÉGRADATION :** Vérifiez régulièrement la position, l'alignement et l'état de l'aimant, du capteur sans fil, du capteur de cadence ; du capteur et du fil du capteur, afin de vous assurer qu'ils ne présentent pas de danger, qu'ils sont correctement alignés et en bon état. Vérifiez que rien n'est desserré et qu'aucun élément n'est usé ou endommagé.

**PILES :** Utilisez uniquement le type et la taille de piles indiqués sur l'unité. Ne laissez jamais de pile à la portée des enfants, et mettez-les au rebut conformément à la réglementation locale. En cas d'ingestion d'une pile, consultez un médecin immédiatement.

**CE PRODUIT N'EST PAS UN JOUET :** Conservez ce compteur de vélo ainsi que toutes les pièces associées, y compris la pile, hors de la portée des enfants. Les pièces de petite taille présentent un risque d'avalement.

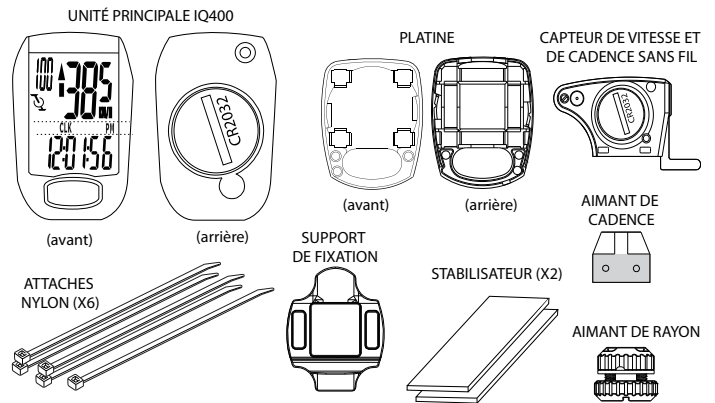
**L'INOBSERVATION DE CES RECOMMANDATIONS PEUT CAUSER UN ACCIDENT ET DES BLESSURES GRAVES, VOIRE MORTELLES.**

#### REMARQUE

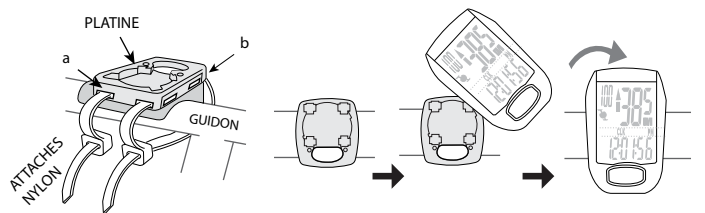
- Ce produit est à l'épreuve de la pluie uniquement. Ne l'immergez pas et ne le lavez pas avec de l'eau sous pression.
- Ne démontez pas l'appareil.
- Installez le compteur de vélo en respectant les instructions fournies dans le présent Manuel.
- Évitez les chocs directs sur l'appareil.
- Évitez d'utiliser le compteur de vélo dans ou à proximité de champs électromagnétiques tels que ceux générés par des lignes électriques à haute-tension ou par des émetteurs.
- Nettoyez l'appareil à l'aide d'un chiffon propre imbibé d'un détergeant doux. N'utilisez jamais de solvant ou d'alcool.
- Afin d'éviter les dommages causés par une fuite de pile, retirez la/les pile(s) lorsque vous prévoyez de ne pas utiliser le compteur de vélo pendant une longue période. N'inversez pas l'orientation des piles. Respectez les repères plus (+) et moins (-).
- MODÈLES DE COMPTEURS DE VÉLO SANS FIL (IQ200, IQ300, IQ400) Le compteur de vélo sans fil utilise un signal analogique. Ce signal n'est pas codé numériquement mais il utilise une technologie qui permet de réduire les risques d'interférence avec les circuits d'autres appareils électroniques tels que les systèmes d'éclairage, les téléphones, les ordinateurs, etc.

### ÉLÉMENTS DU COMPTEUR DE VÉLO

Vérifiez la présence des éléments suivants avant de commencer l'installation :



### INSTALLATION DU COMPTEUR DE VÉLO

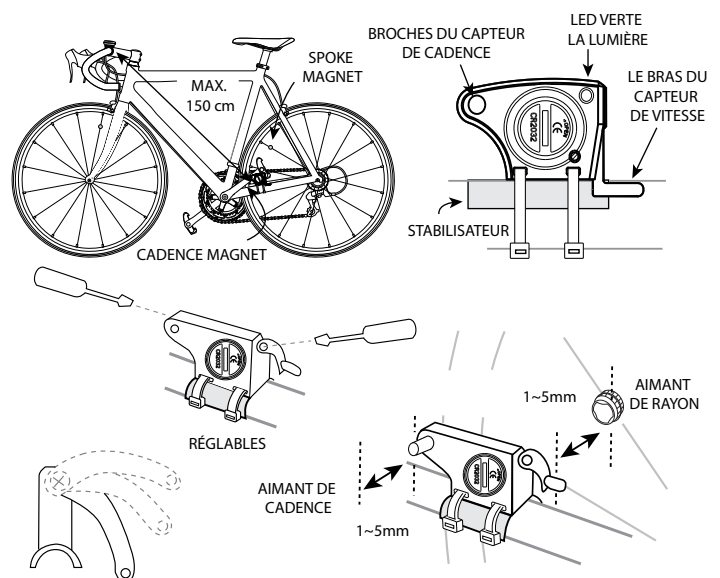


L'unité principale peut être installée sur le guidon ou sur la potence du vélo.

1. Pour installer la platine, insérez deux attaches nylon à travers les fentes du support de fixation.
2. Insérez le patin caoutchouc à l'arrière du support de fixation, pour une installation sur le guidon ou sur la potence, en alignant le patin caoutchouc avec les fentes à l'arrière du support de fixation.
3. Positionnez l'ensemble patin/support sur le guidon ou la potence et serrez fermement les deux attaches nylon. Coupez soigneusement les extrémités des attaches entre 1 et 2 mm de la tête.

Pour monter l'unité principale sur la platine, placez-la sur la platine avec un angle de 45 degrés, maintenez-la contre la platine et tournez-la dans le sens des aiguilles d'une montre pour la verrouiller en place. Pour retirer l'unité principale, faites-la tourner dans le sens contraire des aiguilles d'une montre puis soulevez-la.

### INSTALLATION DU CAPTEUR



1. Desserrez (SANS retirer) la vis sur le bras réglable du capteur de vitesse. Positionnez le capteur en haut de la base arrière située du côté opposé à la transmission, à 150 mm maximum de l'unité principale. Le doigt du capteur de cadence et le couvercle de la pile doivent être orientés vers la manivelle, comme indiqué.

2. Passez les deux attaches de câble à travers les trous de fixation du capteur de fourche et montez le capteur sur la base arrière située du côté opposé à la transmission (à cette étape, ne serrez pas complètement les attaches de câble). Installez le stabilisateur du capteur entre la base arrière et le capteur.
  3. Fixez le capteur sur la base arrière située du côté opposé à la transmission à l'aide de deux attaches nylon. Installez l'aimant du capteur sur un des rayons de la roue arrière, sans serrer. Vérifiez que le côté argenté de l'aimant soit bien orienté face au bras du capteur.
- Ajustez la position de l'aimant, du bras de l'aimant et du capteur l'un par rapport à l'autre de sorte que l'aimant survole l'ensemble du bras du capteur et en laissant un espacement de 1 à 2 mm entre l'aimant et le bras du capteur.
4. Installez l'aimant du capteur de cadence sur le côté intérieur de la manivelle à l'aide d'une attache nylon, sans serrer. Vérifiez que l'inscription "Sensor" soit bien orientée vers le doigt du capteur de cadence et qu'un stabilisateur est installé entre l'aimant de cadence et de la manivelle.

**IMPORTANT :** L'ajustement de l'espacement entre les aimants et les capteurs doit être effectué avec précision pour garantir un fonctionnement correct du compteur de vélo. L'obtention d'un ajustement précis des capteurs nécessite une certaine attention.

5. Réglez les espacements capteur de vitesse/aimant et capteur de cadence/aimant en inclinant le capteur pour rapprocher ou éloigner de l'aimant la zone sensible du capteur. Réglez la position du doigt du capteur de cadence et du bras du capteur de vitesse si nécessaire. Veillez à desserrer/serrer la vis sur le bord avant du corps du capteur lorsque vous ajustez le doigt du capteur de cadence. La distance maximale de fonctionnement entre le capteur de vitesse et l'aimant sur le rayon est de 5 mm. La distance maximale de fonctionnement entre le capteur de cadence et l'aimant sur la manivelle est de 5 mm.
6. Une fois les réglages effectués, tirez sur les attaches nylon mais SANS les serrer complètement. Ceci vous permettra de peaufiner les réglages une fois la configuration du compteur de vélo terminée.

### RÉGLAGE DE L'INDICATEUR DE CALORIES DÉPENSÉES (KCAL)

Ce compteur de vélo permet d'estimer la quantité de calories dépensées en roulant. La valeur estimée est basée sur le poids et le sexe du cycliste, ainsi que sur la durée roulée et la vitesse moyenne. **IMPORTANT :** La valeur indiquée est seulement une estimation. La quantité de calories dépensées peut varier en fonction d'autres paramètres, tels que le rythme cardiaque, que le compteur de vélo ne prend pas en compte.

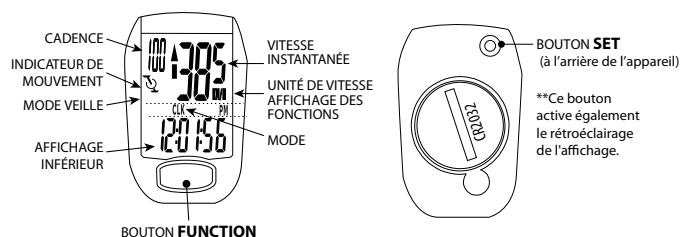
1. Appuyez sur le bouton **FUNCTION** jusqu'à ce que l'indication "**KCAL**" s'affiche.
2. Appuyez sur le bouton **SET** sans le relâcher pendant plus de 3 secondes pour commencer la configuration.
3. Appuyez sur le bouton **SET** pour sélectionner le sexe "**MALE**" (masculin) ou "**FEMALE**" (féminin).
4. Appuyez sur le bouton **FUNCTION** pour mémoriser le sexe.
5. Appuyez sur le bouton **SET** pour permuter l'unité de poids entre "Kg" (kilogramme) et "Lb" (livre anglaise).
6. Appuyez sur le bouton **FUNCTION** pour entrer votre poids dans l'unité sélectionnée.
7. Appuyez sur le bouton **SET** sans le relâcher pour changer le poids. Plage de poids : 0 à 150 kg, (0 à 330 Lb).
8. Appuyez sur le bouton **FUNCTION** sans le relâcher pendant 3 secondes pour quitter le mode de configuration.

### CONFIGURATION DU COMPTEUR DE DISTANCE TOTALE (ODO)

Lorsque vous changez la pile de l'appareil, il est possible de régler le compteur de distance totale (ODO) à la valeur qu'il avait avant le remplacement de la pile.

1. Appuyez sur le bouton **FUNCTION** jusqu'à ce que l'indication "**ODO**" s'affiche.
2. Appuyez sur le bouton **SET** sans le relâcher pendant plus de 3 secondes pour commencer la configuration.
3. Appuyez sur le bouton **FUNCTION** jusqu'à ce que les indications "**00000**" (cinq zéros) et "**ODO**" s'affichent à l'écran.
4. Appuyez sur le bouton **SET** pour sélectionner le chiffre correspondant à la valeur désirée. Appuyez sur le bouton **FUNCTION** pour déplacer la position du curseur.
5. Répétez l'étape 4 jusqu'à ce que le compteur de distance totale soit réglé à la valeur souhaitée.
6. Appuyez sur le bouton **FUNCTION** sans le relâcher pendant 3 secondes pour quitter le mode de configuration.
7. Vérifiez que le compteur de vélo affiche bien la vitesse et la cadence. Dans le cas contraire, vous devrez effectuer la procédure de Configuration Finale, en suivant les instructions de la section correspondante ci-après.

### AFFICHAGE ET FONCTIONS



Pour commencer à utiliser le compteur de vélo, appuyez simplement sur le bouton **FUNCTION**. Après l'installation, le compteur de vélo s'active automatiquement lorsque la roue avant commence à tourner.

Il existe 2 modes d'économie d'énergie : le compteur de vélo passe en mode d'économie d'énergie 50 % après 5 minutes sans mouvement de la roue avant, et en mode d'économie d'énergie 100 % après 30 minutes.

Appuyez sur le bouton **SET** pour quitter les modes d'économie d'énergie avant d'utiliser le compteur.

Appuyez sur le bouton **FUNCTION** pour permuter le compteur de vélo entre les fonctions suivantes :

- "**CLK**" – Horloge, au format 12/24 h
- "**TM**" – Temps de conduite pour une sortie
- "**AVS**" – Vitesse moyenne pour une sortie
- "**MXS**" – Vitesse maximale pour une sortie
- "**A. CAD**" – Cadence moyenne par minute pour une sortie
- "**M. CAD**" – Cadence maximale pour une sortie
- "**DST**" – Distance parcourue pour une sortie
- "**ODO**" – Distance totale parcourue pour toutes les sorties
- "**KCAL**" – Calories dépensées (estimation) pour une sortie
- "**DAILY**" – Distance parcourue au cours des dernières 24 heures
- "**SCAN**" – L'affichage du compteur de vélo balaie toutes les fonctions. Appuyez sur le bouton **FUNCTION** pour interrompre le balayage de l'affichage

Pour activer le rétroéclairage, appuyez brièvement sur le bouton **SET**. Le rétroéclairage reste allumé pendant 3 secondes.

Les valeurs des fonctions "TM, AVS, MXS, DST et KCAL" sont enregistrées automatiquement dès que la roue arrière se met à tourner. Les valeurs "A CAD" et "M CAD" sont enregistrées automatiquement dès que la manivelle est en mouvement.

L'enregistrement s'arrête lorsque la roue avant cesse de tourner. Pour effacer ces informations, le compteur de vélo étant en mode "TM", appuyez et maintenez le bouton **SET** enfoncé.

### REMARQUES GÉNÉRALES AU SUJET DE LA CONFIGURATION DE TOUTES LES FONCTIONS :


- Appuyez sur le bouton **SET** sans le relâcher pendant plus de 3 secondes pour commencer la configuration d'une fonction.
- Appuyez sur le bouton **SET** pour changer la valeur d'un champ sélectionné. Appuyez et maintenez enfoncé le bouton **SET** pour changer la valeur rapidement.
- Appuyez sur le bouton **FUNCTION** pour déplacer le curseur vers le champ suivant.
- Appuyez sur le bouton **FUNCTION** sans le relâcher pendant 3 secondes pour quitter le mode de configuration.

### RÉGLAGE DE L'HORLOGE (CLK)

1. Appuyez sur le bouton **FUNCTION** jusqu'à ce que l'indication "**CLK**" s'affiche.
2. Appuyez sur le bouton **SET** sans le relâcher pendant plus de 3 secondes pour commencer la configuration.
3. Appuyez sur le bouton **SET** pour permuter entre le mode "12H" et le mode "24H".
4. Appuyez sur le bouton **FUNCTION** pour déplacer le curseur vers le champ des heures.
5. Appuyez sur le bouton **SET** pour régler les heures.
6. Répétez les étapes 4 et 5 pour régler les minutes puis les secondes.
7. Appuyez sur le bouton **FUNCTION** sans le relâcher pendant 3 secondes pour quitter le mode de configuration.

### CONFIGURATION DE LA TAILLE DE ROUE

1. Appuyez sur le bouton **FUNCTION** jusqu'à ce que l'indication "**ODO**" s'affiche.
2. Appuyez sur le bouton **SET** sans le relâcher pendant plus de 3 secondes pour commencer la configuration.
3. Appuyez sur le bouton **SET** pour commuter entre "**KM/H**" et "**M/H**".
4. Vérifiez la taille de pneu de la roue avant de votre vélo puis trouvez la circonférence correspondante L (mm) dans le tableau ci-dessous.
5. Appuyez sur le bouton **FUNCTION** pour déplacer le curseur vers le premier champ.
6. Appuyez sur le bouton **SET** pour changer le premier chiffre du nombre à quatre chiffres correspondant à la circonférence **L (mm)**.  
Répétez les étapes 5 et 6 jusqu'à ce que la valeur de la circonférence **L (mm)** soit entrée.
7. Appuyez sur le bouton **FUNCTION** sans le relâcher pendant 3 secondes pour quitter le mode de configuration.
8. Vérifiez que le compteur de vélo affiche bien la vitesse et la cadence. Dans le cas contraire, vous devrez effectuer la procédure de Configuration Finale, en suivant les instructions de la section correspondante ci-après.

L (mm)		Taille de pneu	L (mm)	Taille de pneu	L (mm)
		24 X 1.75	1890	27 X 1-3/8	2169
		24 X 2.00	1925	650 X 20C	1938
		24 X 2.125	1965	650 X 23C	1944
		26 X 7/8	1920	650 X 35A	2090
		26 X 1(59)	1913	650 X 38A	2125
		26 X 1(65)	1952	650 X 38B	2105
		26 X 1.25	1953	700 X 18C	2070
Taille de pneu	L (mm)	26 X 1-1/8	1970	700 X 19C	2080
14 X 1.50	1020	26 X 1-3/8	2068	700 X 20C	2086
14 x 1.75	1055	26 X 1-1/2	2100	700 X 23C	2096
16 X 1.50	1185	26 X 1.40	2005	700 X 25C	2105
16 X 1.75	1195	26 X 1.50	2010	700 X 28C	2136
18 X 1.50	1340	26 X 1.75	2023	700 X 30C	2146
18 X 1.75	1350	26 X 1.95	2050	700 X 32C	2155
20 X 1.75	1515	26 X 2.00	2055	700C Tubular	2130
20 X 1-3/8	1615	26 X 2.10	2068	700 X 35C	2168
22 X 1-3/8	1770	26 X 2.125	2070	700 X 38C	2180
22 X 1-1/2	1785	26 X 2.35	2083	700 X 40C	2200
24 X 1	1753	26 X 3.00	2170	29 X 2.1	2288
24 X 3/4 Tubular	1785	27 X 1	2145	29 X 2.3	2326
24 x 1-1/8	1795	27 X 1-1/8	2155		
24 X 1-1/4	1905	27 X 1-1/4	2161		

### CONFIGURATION FINALE

**IMPORTANT:** Une fois la programmation du compteur de vélo effectuée, il est nécessaire de réaliser la procédure de Configuration Finale.

1. Installez le compteur de vélo sur sa platine.
2. Faites tourner doucement la roue arrière. Vérifiez que l'aimant du capteur de vitesse et l'aimant du capteur de cadence ne heurtent pas les bras des capteurs.
3. Faites doucement tourner les manivelles et vérifiez que les indications de vitesse et de cadence s'affichent bien sur l'unité principale. Le voyant DEL vert sur le capteur doit clignoter pendant la vérification de la configuration. Dans le cas où aucune indication de vitesse/cadence ne s'affiche sur l'unité principale ou si le voyant DEL ne clignote pas, ajustez les espacements entre les aimants et les capteurs. Faites tourner les manivelles à nouveau.
4. Dans le cas où les indications de vitesse ou de cadence ne s'affichent pas après avoir effectué les étapes 1 à 3, vous devrez de nouveau coupler le capteur avec l'unité principale.
  - 4a. L'unité principale étant installée, appuyez simultanément sur les boutons SET et FUNCTION sans le relâcher pendant 5 secondes.
  - 4b. Faites tourner les manivelles. Un code d'identification composé de chiffres (entre 00 et 63) apparaît sur l'affichage. Appuyez sur le bouton SET. Faites tourner les manivelles lorsque des lignes "-----" clignent dans la partie inférieure de l'affichage. Continuez de tourner les manivelles pendant 10 secondes. Le couplage est terminé lorsque l'affichage de l'unité principale revient à l'écran d'accueil.
  - 4c. Dans le cas où l'indication "ERR" s'affiche à l'écran, répétez les étapes 1 à 4b.
5. Une fois tous les étapes de configuration terminées, y compris l'ajustement des capteurs et des aimants, serrez fermement les attaches nylon. Coupez soigneusement les extrémités des attaches entre 1 et 2 mm de la tête.

### REPLACEMENT DE LA PILE

Retirez le compteur de vélo de la platine. Utilisez une pièce de monnaie pour dévisser le couvercle de la pile. Tournez dans le sens contraire des aiguilles d'une montre. Retirez la pile usagée. Placez une pile neuve (CR2032) dans l'appareil en orientant le côté de la pile marqué du signe plus "+" vers le haut. Remettez en place et revissez le couvercle de la pile.

Suivez ces étapes pour remplacer la pile du capteur (CR2032).

Vérifiez que le compteur de vélo affiche bien la vitesse et la cadence. Dans le cas contraire, vous devrez effectuer les étapes de Configuration Finale, comme indiqué dans le présent manuel.

### SPÉCIFICATIONS DU COMPTEUR DE VÉLO IQ400

Température de fonctionnement	0 °C à 40 °C, (32 °F à 104 °F)
Température de stockage	-10 °C à 50 °C, (14 °F à 122 °F)
Pile	Pile sèche 3 volts au lithium, Type CR2032
Poids	30,6 grammes
Plage de réglage du minuteur : 0 à 29 (heure) ; 59 (minute) ; 59 (seconde)	
Plage de vitesse instantanée : 0 à 99,9 Km/h (0 à 62 mph)	
Plage de vitesse moyenne : 0 à 99,9 Km/h (0 à 62 mph)	
Plage de vitesse maximale : 0 à 99,9 Km/h (0 à 62 mph)	
Plage de distance pour une sortie : 0 à 999,99 Km (0 à 600 miles)	
Plage de distance totale : 0 à 99 999 Km (0 à 62 000 miles)	

### DÉPANNAGE

PROBLÈME	ACTION CORRECTIVE
La roue tourne mais la vitesse instantanée ne s'affiche pas	Vérifiez/ajustez l'intervalle entre le capteur et l'aimant. La pile est épuisée -> remplacez-la
L'indication "ERR01" s'affiche	La pile est épuisée -> remplacez-la
L'indication "ERR" s'affiche	Interférences avec un autre équipement électronique -> arrêtez ou éloignez l'équipement électronique
L'affichage est vide, très peu visible ou noir	La pile est épuisée -> remplacez-la Le compteur de vélo est trop chaud -> déplacez-le vers un endroit frais
L'affichage est lent	Le compteur de vélo est trop froid -> déplacez-le vers un endroit plus chaud

### INFORMATIONS DE CONTACT CANNONDALE

<p><b>CANNONDALE USA</b> Cycling Sports Group, Inc. 172 Friendship Road, Bedford, Pennsylvania, 15522, USA (Voice): 1-800-BIKE-USA (Fax): 814-623-6173 custserv@cyclingsportsgroup.com</p>	<p><b>CANNONDALE EUROPE</b> Cycling Sports Group Europe, B.V. mail: Postbus 5100 visits: Hanzepoort 27 7570 GC, Oldenzaal, Netherlands (Voice): + 41 61.4879380 (Fax): 31-5415-14240 servicedeskeurope@cyclingsportsgroup.com</p>
<p><b>CANNONDALE AUSTRALIA</b> Cycling Sports Group Australia Pty Limited Unit 8, 31-41 Bridge Road Stanmore, NSW 2048, Australia (Voice): 61-2-85954444 (Fax): 61-2-85954499 cannondale@cyclingsportsgroup.com.au</p>	<p><b>CANNONDALE JAPAN</b> Namba Sumiso Building 9F, 4-19, Minami Horie 1-chome, Nishi-ku, Osaka 550-0015, Japan (Voice): 06-6110-9390 (Fax): 06-6110-9361 cjcustserv@cannondale.com</p>
<p><b>CANNONDALE UK</b> Cycling Sports Group Vantage Way, The Fulcrum, Poole, Dorset, BH12 4NU (Voice): +44 (0)1202 732288 (Fax): +44 (0)1202 723366 sales@cyclingsportsgroup.co.uk</p>	