



- OWNER'S USE AND CARE GUIDE
- GUIDE D'UTILISATION ET SOIN DE PROPRIÉTAIRE
- MANUAL DE INSTRUCCIONES PARA EL USO Y EL CUIDADO DE SU UNIDAD

TWIN TUB WASHING MACHINE
LAVEUSE-ESSOREUSE
LAVADORA DE DOBLE TINA

MODE L • MODÈLE • MODELO
DTT100A1WDB



ENGLISH
TABLE OF CONTENTS 1

FRANÇAIS
TABLE DES MATIÈRES 13

ESPAÑOL
ÍNDICE 25

TABLE OF CONTENTS

Safety instructions	2
Parts identification	4
Cautions regarding use	5
Grounding instructions	5
Installation Instructions	6
Washing procedure	7
Laundry method with intermediate spin	10
Cleaning after use	10
Before requesting service	11
Warranty	12

INTRODUCTION

Thank you for buying a Danby appliance. Before operating this unit please read and save these instructions.

Model Number: _____ Serial Number: _____

Date of Purchase: _____ Place of Purchase: _____

Dealer's Name and Address: _____

This information will be required if your unit requires servicing and/or for general inquiries. To contact a Customer Service Representative, call Danby TOLL FREE. 1-800-26 -**DANBY**

CAREFULLY READ AND SAVE THESE INSTRUCTIONS

These instructions for use are intended for the user. They describe the appliance and correct installation and operating procedures for safe use.

NOTE:

This appliance was carefully packed and thoroughly inspected before leaving our factory. Responsibility for its safe delivery was assumed by the carrier upon acceptance of the shipment. Claims for loss or damage sustained during transit must be made directly to the carrier.

SAFETY INSTRUCTIONS

Save these instructions

1. Please read this instruction manual carefully before operating.
2. Refer to the Grounding Instructions in the Installation manual for the proper grounding of the washer.
3. Do not wash articles that have been previously cleaned in, washed in, soaked in or spotted with gasoline, dry-cleaning solvents, other flammable or explosive substances as they give off vapors that could ignite or explode.
4. Do not allow children to play on or in the washer. Close supervision of children is necessary when the washer is used near children.
5. Do not reach into the washer if the inner tub or agitator is revolving.
6. Do not install or store the washer where it will be exposed to water and/or weather.
7. Do not tamper with the controls.
8. Do not repair or replace any part of the washer, or attempt any servicing unless specifically recommended in the user maintenance instructions trouble shooting guide that you understand and have the skills to carry out.
9. Do not add gasoline, dry-cleaning solvents, or other flammable or explosive substances to the wash water. These substances give off vapors that could ignite or explode.
10. Under certain conditions, hydrogen gas may be produced in a hot water system that has not been used for two weeks or more. **HYDROGEN GAS IS EXPLOSIVE.** If the hot water system has not been used for such a period, before using this washer, turn on all hot water faucets and let the water flow from each for several minutes. This will release any accumulated hydrogen gas. **THE GAS IS FLAMMABLE, DO NOT SMOKE OR USE AN OPEN FLAME DURING THIS TIME.**
11. Replace worn power cords and/or loose plugs.
12. To reduce the risk of an electric shock or fire, **DO NOT** use an extension cord or an adapter to connect the washer to the electrical power source.
13. Use your washer only for its intended purpose, washing clothes.
14. **ALWAYS** disconnect the washer from electrical supply before attempting any service. Disconnect the power cord by grasping the plug, not the cord.
15. Install the washer according to the **INSTALLATION INSTRUCTIONS**. All connections for water, drain electrical power and grounding must comply with local codes and be made by licensed personnel when required. Do not do it yourself unless you know how!
16. To reduce the risk of fire, clothes which have traces of any flammable substances such as vegetable oil, cooking oil, machine oil, flammable chemicals, thinner etc. or anything containing wax or chemicals such as in mops and cleaning cloths, must not be put into the washer. These flammable substance may cause the fabric to catch on fire by itself.
17. Do not use fabric softeners or products to eliminate static unless recommended by the manufacturer of the fabric softener or product.
18. Keep your washer in good condition. Bumping or dropping the washer can damage safety features. If this occurs, have your washer checked by a qualified serviceman.
19. Be sure water connections have a shut-off valve and fill hose connections are tight. **CLOSE** the shut-off valves at the end of each wash day.
20. The **LID MUST BE CLOSED** any time the washer is to spin. **DO NOT** by-pass the safety switch by permitting the washer to spin with the lid open. A brake will stop the inner tub within seconds if the lid is opened during spinning. If the inner tub does not stop when the lid is opened, remove the washer from use and call a serviceman.

SAFETY INSTRUCTIONS

21. Always follow the fabric care instructions supplied by the garment manufacturer.
22. Never operate the washer with any guards and/or panels removed.
23. DO NOT operate the washer with broken or missing parts.
24. DO NOT by-pass any safety devices.
25. Failure to install, maintain, and/or operate this machine according to these instructions may result in conditions which can produce bodily injury and/or property damage.

IMPORTANT

The **WARNING AND IMPORTANT SAFETY INSTRUCTIONS** appearing in this manual are not meant to cover all possible conditions and situations that may occur. It must be understood that common sense, caution and carefulness are factors which **CAN NOT** be built into the washer. These factors **MUST BE** supplied by the person(s) installing, maintaining, or operating the washer.

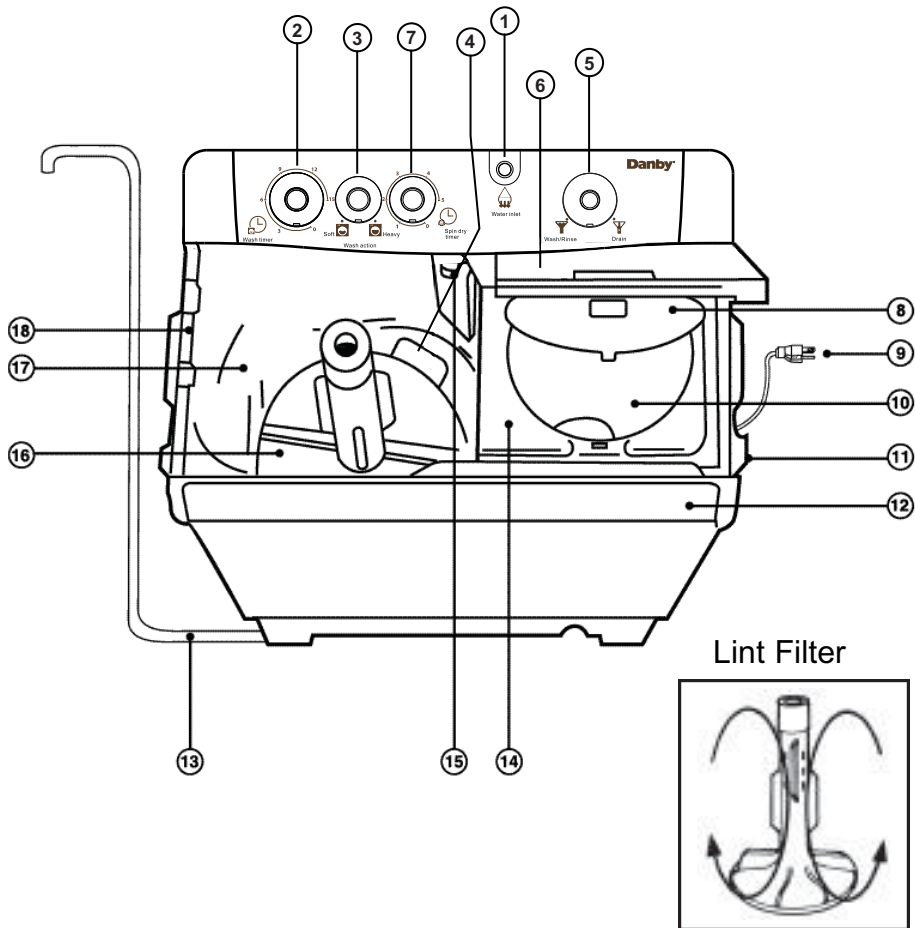
Always contact your dealer, distributor, service agent or the manufacturer about any problems or conditions you do not understand.

WARNING

To reduce the risk of electric shock, disconnect this appliance from the power supply before attempting any user maintenance. Turning the controls to the OFF position does not disconnect this appliance from the power supply.

PARTS IDENTIFICATION

- | | | |
|--|--|--|
| <ul style="list-style-type: none"> 1. Water Inlet 2. Wash timer 3. Wash action selector 4. Drain strainer 5. Drain selector 6. Spin-tub lid 7. Spin timer | <ul style="list-style-type: none"> 8. Spin-tub inner lid 9. Power cord 10. Spin-tub 11. Hose-hook 12. Panel front 13. Drain hose 14. Rub-wash section | <ul style="list-style-type: none"> 15. Overflow strainer 16. Pulsator (with lint filter) 17. Wash-tub 18. Wash-tub lid |
|--|--|--|



CAUTIONS REGARDING USE

Heat

Many parts of this washing machine are made of plastic; never place hot or burning objects on or near the washing machine.

Using Hot Water

Use only water under 50C. If the hot water to be used is 50C or above, first partly fill the washing machine with cold water, and then add the hot water.

Articles that shouldn't be washed or spun

Don't put shoes, utensils etc. into the tub to wash or spin. Doing so could cause trouble.

Putting in the clothes

- Do not overload the washing machine.
- Fold up bulky clothing before putting it into the tub
- Do not let the clothes cover the top of the agitator. Doing so could cause a decline in the washing efficiency.

Water tap

Control the water supply by adjusting the tap valve. If the water pressure is too high, the water can be sprinkled on the floor.

IMPORTANT

This appliance is equipped with a "Water Overflow" safety feature, designed to automatically activate the pump in the event of accidental water overflow. However, this feature is only operational while the appliance remains connected to an electrical source.

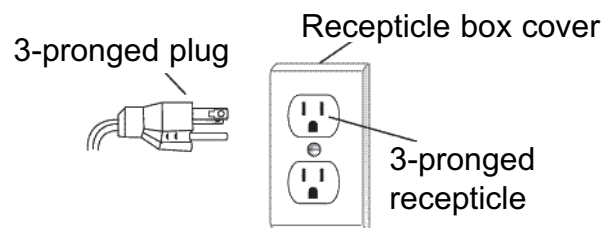
CAUTIONS REGARDING USE

This appliance must be grounded. In the event of an electrical short circuit, grounding reduces the risk of electric shock by providing an escape wire for the electric current. This appliance is equipped with a cord having a grounding wire with a grounding plug. This plug must be plugged into an outlet that is properly installed and grounded.

WARNING

Improper use of the grounding plug can result in a risk of electric shock. Consult a qualified electrician or service person if the grounding instructions are not completely understood, or if doubt exists as to whether the appliance is properly grounded. If it is necessary to use an extension cord, use only a three wire extension cord that has a three blade grounding plug, and a three slot receptacle that will accept the plug on the appliance. The marked rating of the extension cord should be equal to or greater than the electrical rating of the appliance.

USE A 3 PRONGED PLUG



INSTALLATION INSTRUCTION

Place of installation

Choose a place on a horizontal solid floor. If the machine is installed on an unstable floor, heavy vibration will result during spin.

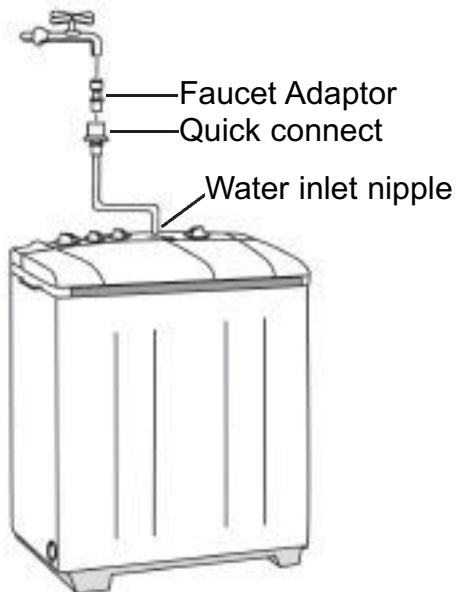
Keep the machine body more than 5 cm apart from the wall surface. If it comes into contact vibration may occur.

Hose Installation

For your convenience, this washing machine is equipped with a "Quick Connect" hose kit.

Please follow these instructions:

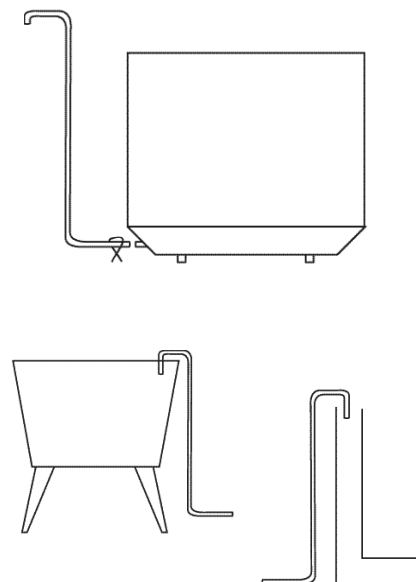
1. Connect the "faucet adaptor" to your water supply
2. Pressure fit the open end of the hose assembly at least half way down the "water inlet" nipple. No clamps are required to secure this connection because it is not a pressurized line application.



3. Install the "quick connect" fitting to the faucet adapter by pulling down the white collar. Pull down on the white collar to disconnect.
4. For portable applications, avoid disconnecting the water hose assembly from the "water inlet nipple" connection. Always disconnect the hose from the "quick connect" side. A "hanger hook" is provided on the "quick connect" which allows you to conveniently hang the hose on the side of the cabinet.

Installing the drain hose

Install the drain hose properly as shown below. Secure the drain hose to the drain outlet pipe, using the clamp provided.



Hook drain hose over the edge of sink or directly into your drain pipe.

WASHING PROCEDURE

A) Laundry Guide

<u>Wash Load</u>	<u>Type of fabric</u>	<u>Wash Time</u>	<u>Wash Action</u>	<u>Water Level</u>	<u>Amount of Detergent</u>
Up to 1.4 kg	Wool, Silk, Polyester Rayon, Thin Clothes	2 min.	Soft	LOW 36 L	Approx. 40 g
	Cotton, Linen T-shirts, underwear	7 min.	Normal		
	Heavy soiled cotton Workclothes, Sheets	10 min.	Normal		
1.4-2.8 kg	Wool, Silk, Polyester Rayon, Thin Clothes	4 min.	Soft	MEDIUM 43 L	Approx. 47 g
	Cotton, Linen T-shirts, underwear	7 min.	Normal		
	Heavy soiled cotton Workclothes, Sheets	10 min.	Normal		
Above 2.8 kg	Wool, Silk, Polyester Rayon, Thin Clothes	4 min.	Soft / Normal	HIGH 50 L	Approx. 55 g
	Cotton, Linen T-shirts, underwear	7-10 min	Normal		
	Heavy soiled cotton Workclothes, Sheets	10-15 min	Heavy		

- The amount of laundry detergent will vary according to the type of detergent used; carefully read the instructions accompanying the detergent.

B) Preparation

- Connect the inlet hose to water tap
- Unhook the drain hose and set it properly
- Plug the power cord into an electric outlet.

WASHING PROCEDURE

C) Wash

1. Water Level

Set the water level properly according to the size of the load to be washed.

2. Drain Valve selection switch

Set the drain valve selection switch on "Wash/Rinse" position

3. Detergent

Put in the laundry detergent (If the detergent does not dissolve easily, fill the washing machine with a small amount of water and mix the detergent with the water for a few minutes)

4. Clothes

Put in the clothes
(remove any matches, coins, pins, etc., that may be in the pockets of the clothes.)

5 Water supply

Open the water tap and fill the tub to a suitable water level for the wash load.

6. Wash action

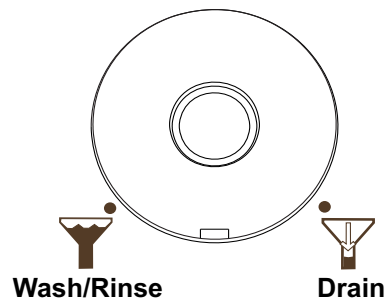
Select a wash action according to the type of fabric to be washed: Gentle, Normal

7. Wash-tub lid

Close the wash tub lid

8. Wash timer

Turn the wash timer clockwise, until you reach the desired wash time position. The wash cycle starts immediately.



D) Rinse

1. Drain

Set the drain valve selector switch on DRAIN position It takes about two minutes for the water to drain thoroughly away.

2. Drain switch

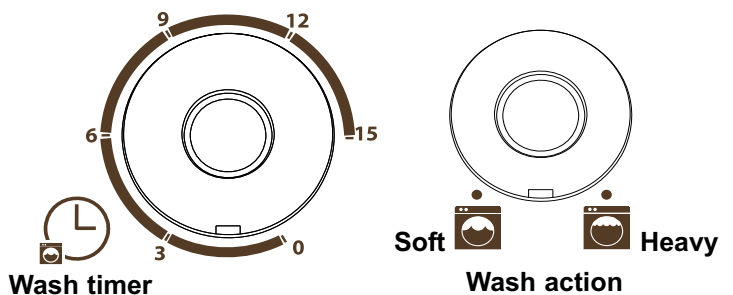
Set the drain valve selector switch on WASH/RINSE position again, to stop the drain cycle

3. Water supply

Open the water tap and fill the tub to a suitable level for the laundry

4. Rinse-wash timer

Turn the wash timer to clockwise
Set the time to 2-4 minute position
5. Repeat processes 1 to 4 twice or three times according to the condition of the washed laundry.

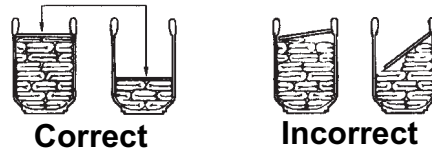


E) Spin

1. Putting in the clothes

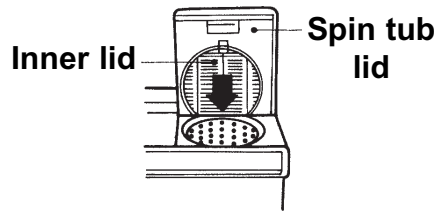
Put the wet clothes into the spin-tub
Distribute the clothes in the tub being sure that they are well balanced. Put the safety cover properly on top of the clothes

Safety Cover



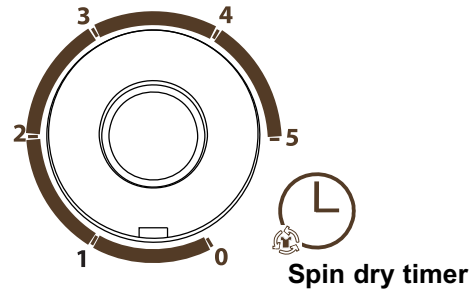
2. Closing the lids

Close the spin-tub lid and inner lid
The machine will not spin if the spin-tub lid is open



3. Spin timer

Turn the timer clockwise until you reach the desired spin time position



Spin Time

Type of Fabric	Spin Time
Clothes that wrinkle easy (synthetics, fibers, delicate materials)	1 - 3 min.
Clothes that do not wrinkle easy (workclothes, sheets, underwear)	3 - 5 min.

Unbalance

If there is any abnormal vibration during spinning, open the lids to stop the spin-tub and rearrange the clothes evenly.

Simultaneous Drain

If the drainage from the wash-tub and spin-tub occur simultaneously, the drainage from spin-tub will be obstructed and there may be a malfunction. Therefore, if you need to drain the wash-tub while spinning, be sure to drain the wash-tub after at least one minute's spinning.

LAUNDRY METHOD WITH INTERMEDIATE SPIN

You can improve the rinsing effect and save rinsing water by using an intermediate spin between wash and rinse process:

1. WASH

- Operate the wash process as described in wash procedure

2. Drain

- Drain the wash-tub by turning the drain valve selection switch to DRAIN position

3. Intermediate Spin

- Move the laundry to the spin-tub
- Operate the spin process for about three minutes as described in the spin procedure

4. Rinse

- Move the laundry to the wash-tub
- Operate the rinse process for about two to three minutes

5. Intermediate spin

- Move the laundry to the spin-tub
- Operate the spin process for about three minutes as described in the spin procedure

6. Overflow Rinse

- Move the laundry to the wash-tub
- Open the water tap
- Operate the rinse process for about two to three minutes continuing water supply

7. Final spin

- Move the laundry to the spin-tub
- Operate the spin process

CLEANING AFTER USE

Cleaning after use will extend the life of your washing machine. Before cleaning, shut off the power switch and disconnect the power cord from the electrical outlet, being sure to take hold of the plug.

Cleaning the body

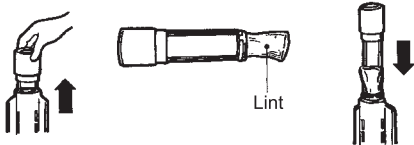
- Wipe with a soft cloth
- If extremely dirty, wipe with a cloth soaked in a solution of water and dish detergent or soap.
- Do not spray the washing machine with water or use paint thinner, abrasive cleanser, benzene, alcohol, etc., to clean it.

Cleaning the overflow strainer



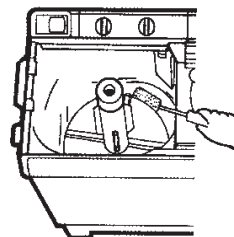
- Remove the strainer by pulling it forward
- Wash off the lint stuck in the strainer during overflow
- Re-install the strainer

Cleaning the lint filter



- Remove the filter frame by pulling it upward
- Turn the filter inside out and wash the lint off with water
- Insert the filter frame into the center agitator as it was

Cleaning the drain strainer



- 1) Remove the drain strainer from the bottom of the tub using a sharp tool such as a screw driver
- 2) Wash off the lint stuck in the strainer
- 3) Re-install the strainer

BEFORE REQUESTING SERVICE

When you suspect your washing machine requires maintenance before calling for service, please check the following points to save unnecessary cost. You may be pleasantly surprised that an apparent malfunction can be easily rectified by following the chart below.

<u>Problem</u>	<u>Location to be checked</u>
The washing machine will not operate at all	<ul style="list-style-type: none"> • Is there a power blackout? • Is the power cord correctly connected to an electricla outlet? • Is the electric fuse or breaker blown? • Did you turn the “Wash Timer” knob or “Spin Timer” knob to begin operation?
The washing machine will not drain properly	<ul style="list-style-type: none"> • Is the drain hose clogged with lint? • Is the drain hose kinked? • Is any part of the hose higher than 90 cm (35 inches)? • Is extension hose longer than 3 m (9 feet)? • Is a narrow hose being used?
There is an abnormal noise during washing	<ul style="list-style-type: none"> • Is something touching the agitator as it rotates?
Water is not supplied	<ul style="list-style-type: none"> • Is the inlet hose connected and the water shut off? • Has the water supply been shut off due to a water shortage in your area? • Is foreign matter clogging the water inlet?
The washing machine will not spin	<ul style="list-style-type: none"> • Is the spin-tub lid open? • Have any clothes dropped between the spin-tub and the wash-tub?
There is a bumping noise of the spin-tub against the wash-tub	<ul style="list-style-type: none"> • Is the washing machine level? • Have the clothes in the tub collected on one side? (Redistribute them evenly)



LIMITED IN-HOME APPLIANCE WARRANTY

This quality product is warranted to be free from manufacturer's defects in material and workmanship, provided that the unit is used under the normal operating conditions intended by the manufacturer.

This warranty is available only to the person to whom the unit was originally sold by Danby Products Limited (Canada) or Danby Products Inc. (U.S.A.) (hereafter "Danby") or by an authorized distributor of Danby, and is non-transferable.

TERMS OF WARRANTY

Plastic parts, are warranted for thirty (30) days only from purchase date, with no extensions provided.

First Year During the first twelve (12) months, any functional parts of this product found to be defective, will be repaired or replaced, at warrantor's option, at no charge to the ORIGINAL purchaser.

To obtain Service Danby reserves the right to limit the boundaries of "In Home Service" to the proximity of an Authorized Service Depot. Any appliance requiring service outside the limited boundaries of "In Home Service", it will be the consumer's responsibility to transport the appliance (at their own expense) to the original retailer (point of purchase) or a service depot for repair. See "Boundaries of In Home Service" below. Contact your dealer from whom your unit was purchased, or contact your nearest authorized Danby service depot, where service must be performed by a qualified service technician.

If service is performed on the units by anyone other than an authorized service depot, or the unit is used for commercial application, all obligations of Danby under this warranty shall be void.

Boundaries of In Home Service If the appliance is installed in a location that is 100 kilometers (62 miles) or more from the nearest service center your unit must be delivered to the nearest authorized Danby Service Depot, as service must only be performed by a technician qualified and certified for warranty service by Danby. Transportation charges to and from the service location are not protected by this warranty and are the responsibility of the purchaser.

Nothing within this warranty shall imply that Danby will be responsible or liable for any spoilage or damage to food or other contents of this appliance, whether due to any defect of the appliance, or its use, whether proper or improper.

EXCLUSIONS

Save as herein provided, Danby, there are no other warranties, conditions, representations or guarantees, express or implied, made or intended by Danby or its authorized distributors and all other warranties, conditions, representations or guarantees, including any warranties, conditions, representations or guarantees under any Sale of Goods Act or like legislation or statute is hereby expressly excluded. Save as herein provided, Danby shall not be responsible for any damages to persons or property, including the unit itself, howsoever caused or any consequential damages arising from the malfunction of the unit and by the purchase of the unit, the purchaser does hereby agree to indemnify and hold harmless Danby from any claim for damages to persons or property caused by the unit.

GENERAL PROVISIONS

No warranty or insurance herein contained or set out shall apply when damage or repair is caused by any of the following:

- 1) Power failure.
- 2) Damage in transit or when moving the appliance.
- 3) Improper power supply such as low voltage, defective house wiring or inadequate fuses.
- 4) Accident, alteration, abuse or misuse of the appliance such as inadequate air circulation in the room or abnormal operating conditions (extremely high or low room temperature).
- 5) Use for commercial or industrial purposes (ie. If the appliance is not installed in a domestic residence).
- 6) Fire, water damage, theft, war, riot, hostility, acts of God such as hurricanes, floods etc.
- 7) Service calls resulting in customer education.
- 8) Improper Installation (ie. Building-in of a free standing appliance or using an appliance outdoors that is not approved for outdoor application).

Proof of purchase date will be required for warranty claims; so, please retain bills of sale. In the event warranty service is required, present this document to our AUTHORIZED SERVICE DEPOT.

Warranty Service
In-home

Danby Products Limited
PO Box 1778, Guelph, Ontario, Canada N1H 6Z9
Telephone: (519) 837-0920 FAX: (519) 837-0449

1-800-263-2629

Danby Products Inc.
PO Box 669, Findlay, Ohio, U.S.A. 45840
Telephone: (419) 425-8627 FAX: (419) 425-8629

TABLE DES MATIÈRES

Importantes consignes de sécurité	14
Identification des pièces	16
Précautions	17
Mise à la terre	17
Instructions d'installation	18
Blanchissage	19
Lavage avec essorage intermédiaire	22
Entretien de l'appareil	22
En cas de problème	23
Garantie	24

INTRODUCTION

Nos félicitations sur votre achat d'un appareil Danby. Avant d'utiliser cet unité, veuillez lire et sauvegarder ces instructions.

Numéro de modèle: _____ Numéro de série: _____

Date d'achat: _____ Endroit d'achat: _____

Nom et adresse du marchand: _____

Cette information sera requise en cas de problèmes ou d'enquêtes générales. S'il vous plaît contactez notre Département de Service à la Clientèle sans frais au 1-800-26-DANBY

LISEZ ATTENTIVEMENT ET SAUVEGARDEZ CES INSTRUCTIONS:

Ces instructions d'utilisation sont destinées pour l'utilisateur. Elles décrivent l'appareil et les procédures d'installation et d'opération pour l'usage sûr.

NOTEZ:

Cet appareil a été emballé soigneusement et examiné en détail avant de quitter notre usine. La responsabilité pour sa distribution sûre a été supposée par le transporteur à l'acceptation de la cargaison. Les réclamations de perte ou de dommage soutenu en transit doivent être faites directement au transporteur.

IMPORTANTES CONSIGNES DE SÉCURITÉ

Sauvegardez ces instructions:

1. Veuillez lire ce manuel d'instruction attentivement avant l'utilisation initiale de ce produit.
2. Référez aux Directives de Mise à la Terre (dans le manuel d'instruction) pour la mise à la terre correcte de la laveuse.
3. Ne lavez pas les vêtements qui ont été trempés de substances inflammables (du gaz, de solvants de nettoyage-sec, etc.) puis qu'ils dégagent les vapeurs qui pourraient s'enflammer ou éclater.
4. Ne permettez pas aux enfants de jouer sur ou dans la laveuse. Prendre soin des enfants pendant le lavage.
5. Il ne faut jamais tendre la main dans la cuve de la laveuse pendant le fonctionnement.
6. La laveuse ne doit pas être située dans un endroit où elle peut être frappée par la pluie et/ou par les rayons de soleil.
7. Ne touchez pas les commandes de lavage.
8. Si vous croyez que l'appareil est en panne, veuillez vérifier les solutions dans le guide de dépannage avant d'appeler un technicien de service. (Si votre problème n'apparaît pas ici, n'essayez pas de réparer l'appareil vous-même -- appelez un technicien de service.)
9. N'ajoutez jamais des substances inflammables (du gaz ou de solvants de nettoyage-sec) à l'eau de lavage. Ces substances dégagent les vapeurs qui pourraient s'enflammer ou éclater.
10. Dans certaines conditions, le gaz d'hydrogène peut être produit dans un système d'eau chaude qui n'a pas été utilisé pendant plus que deux semaines. **LE GAZ D'HYDROGÈNE EST EXPLOSIF.** Si le système d'eau chaude n'a pas été utilisé pendant une telle période, avant d'utiliser cette laveuse, ouvrez tous les robinets d'eau chaude et laissez l'eau découler de chacun pendant plusieurs minutes. Ceci libérera n'importe quel gaz d'hydrogène accumulé. **LE GAZ EST INFLAMMABLE. NE FUMEZ PAS ET N'UTILISEZ PAS UNE FLAMME NUE PENDANT CE TEMPS.**
11. Remplacez les cordons d'alimentation usés et/ou les prises lâches.
12. Pour réduire le risque de choc électrique ou de feu, **N'UTILISEZ PAS** un cordon d'extension ou un adaptateur pour brancher la laveuse au courant électrique.
13. Utilisez la laveuse seulement pour son bût destiné, le lavage de vêtements.
14. **IL FAUT TOUJOURS** débranchez la laveuse du courant électrique avant de tenter le service. Débranchez le cordon d'alimentation en tirant par la fiche et pas le cordon.
15. Installez la laveuse selon **LES INSTRUCTIONS D'INSTALLATION**. Tous raccordements (de l'eau, du drain, du courant électrique et de la mise à la terre) doivent se conformer aux codes locaux et lorsqu'il est nécessaire doivent être fait par personnel autorisé. Ne le faites pas vous-même à moins que vous sachiez!
16. Pour réduire le risque de feu, les vêtements qui ont des traces de substances inflammables telle que l'huile végétale, l'huile à cuire, l'huile d'usine, les produits chimiques inflammables, le diluant, etc., ou un produit qui contient la cire ou des produits chimiques tels que dedans des vadrouilles et des tissus d'essuyage, ne doivent pas être mis dans la laveuse. Ces substances inflammables peuvent causer le tissu de se prendre au feu.
17. N'employez pas les produits assouplissants ou les produits pour éliminer la charge statique d'à moins que recommandé par le fabricant du produit assouplissant.
18. Gardez votre laveuse en bon état. Frapper et relâcher la laveuse peut endommager les caractéristiques de sécurité. Si ceci se produit, faites votre laveuse contrôler par un technicien de service qualifié.
19. Soyez sûr que les connections d'eau ont une soupape d'arrêt automatique et les connections de tuyau de remplissage sont serrées. **FERMEZ** les soupapes d'arrêt automatique à la fin de chaque jour de lavage.

IMPORTANTES CONSIGNES DE SÉCURITÉ

20. LE COUVERCLE DOIT ÊTRE FERMÉ quand la laveuse doit essorer. **NE CONTOURNEZ PAS** la commande de sécurité en permettant à la laveuse d'essorer avec le couvercle ouvert. Si le couvercle est ouvert pendant l'essorage, un frein arrêtera immédiatement la cuve. Si la cuve n'arrête pas quand le couvercle est ouvert, retirez la laveuse de l'utilisation et contactez un technicien de service.

21. Suivez toujours les instructions de soin de tissu assurées par le fabricant de vêtement.

22. N'actionnez jamais la laveuse avec dispositifs de sûreté et/ou panneaux étant enlevés.

23. N'ACTIONNEZ JAMAIS la laveuse avec les pièces cassées ou manquantes.

24. Ne sautez aucun dispositif de sécurité

25. Le manque d'installer de mettre à jour et/ou actionner cette machine selon ces instructions peut avoir comme conséquence les conditions qui peuvent produire des blessures corporelles et/ou des dégâts matériels.

AVERTISSEMENT

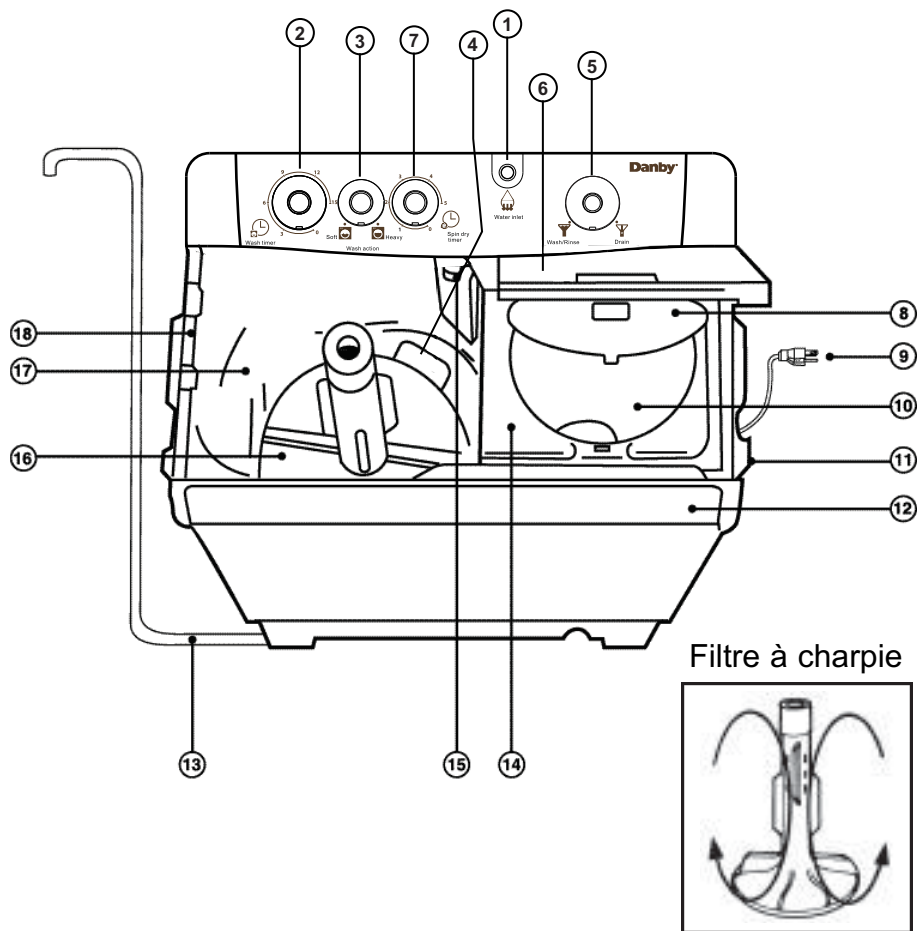
Pour réduire le risque d'électrocution, débrancher cet appareil avant d'effectuer un entretien normal. Mettre l'appareil en mode arrêt ne veut pas dire qu'il est débranché.

IMPORTANT

L'AVERTISSEMENT ET LES IMPORTANTES CONSIGNES DE SÉCURITÉ qui paraissent en ce manuel ne sont pas censés pour couvrir toutes les conditions et situations possibles qui peuvent se produire. Il doit être compris que le bon sens, le soin et l'attention sont des facteurs qui ne peuvent pas être établis dans la(les) personne(s) installant, mettant à jour ou actionnant la laveuse. Ces facteurs **DOIVENT ÊTRE FOURNIS** par la(les) personne(s) qui installe, mette à jour et actionne la laveuse. **Contactez toujours votre marchand, distributeur, agent de service ou fournisseur au sujet de tous les problèmes ou des conditions que vous ne com-**

IDENTIFICATIONS DES PIÈCES

- | | | |
|---|--|--|
| <ul style="list-style-type: none"> 1. arrivée d'eau 2. minuterie de lavage 3. commande de lavage 4. grille de drain 5. commande de drain 6. couvercle de l'essoreuse 7. minuterie de l'essoreuse | <ul style="list-style-type: none"> 8. couvercle intérieur de l'essoreuse 9. cordon d'alimentation 10. cuve de l'essoreuse 11. attache boyau 12. panneau de devant 13. boyau de débordement | <ul style="list-style-type: none"> 14. espace pour frottage-lavage 15. grille de débordement 16. ondulateur (avec filtre à charpie) 17. cuve de lavage 18. couvercle de la cuve de lavage |
|---|--|--|



PRÉCAUTIONS

Chaleur

Plusieurs pièces de la laveuse-essoreuse sont fabriquées de plastique; il ne faut jamais déposer d'objets chauds ou brûlants au-dessus ou proche de l'appareil.

Eau chaude

Il faut seulement utiliser l'eau en dessous de 50°C. Si l'eau est trop chaude, remplissez partiellement la laveuse d'eau froide, et le reste d'eau chaude.

Articles qui ne doivent pas être lavés ou essorés

Il ne faut jamais laver ou essorer des chaussures, d'ustensiles, etc.. Ceci peut occasionner des dommages.

Brassée

- Il ne faut pas surcharger la laveuse.
- Pliez les vêtements lourds avant de les déposer dans la cuve.
- La brassée ne doit pas recouvrir l'ondulateur. Ceci peut réduire l'efficacité de la laveuse.

Soupape d'eau

Réglez le courant d'eau en ajustant la soupape du robinet.

Vêtements coincés entre la cuve de l'essoreuse et la laveuse

- 1) Fermez l'interrupteur, et débranchez le cordon d'alimentation de la prise de courant.
- 2) Prenez le devant de la plaque de dessous et soulevez.
- 3) Enlevez les vêtements coincés.
- 4) Remplacez la plaque de dessus en appuyant sur son devant.

IMPORTANT

Cet appareil est équipé d'un mécanisme de sécurité contre le débordement d'eau. Cette caractéristique est conçue pour la mise en marche automatique de la pompe dans les cas de débordement accidentels. Ce mécanisme fonctionne seulement lorsque l'appareil est branché au courant électrique.

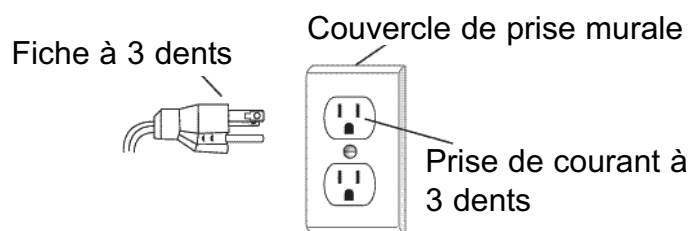
MISE À LA TERRE

Cet appareil doit être mis à la terre. Si un court circuit se produit, la mise à la terre réduit le risque de choc électrique car elle permet l'échappement de courant par un fil électrique. Cet appareil est agencé d'un cordon d'alimentation contenant un fil de mise à la terre et d'une fiche à trois dents. Cette fiche doit être branchée dans une prise de courant mise à la terre.

AVERTISSEMENT

L'utilisation inexacte de la fiche à trois dents peut causer le risque de choc électrique. Consulter un électricien ou un technicien qualifié si vous ne comprenez pas les instructions de mise à la terre, ou si vous n'êtes pas sûr que l'appareil est correctement mis à la terre. Si un fil de rallonge est nécessaire, assurez qu'il a trois fils, une fiche à trois dents et une prise mise à la terre qui peut se marier à la fiche à trois dents de l'appareil. L'ampérage du fil de rallonge doit être égal ou plus haut que l'ampérage électrique de l'appareil.

UTILISEZ UNE FICHE À 3 DENTS SEULEMENT



INSTRUCTIONS D'INSTALLATION

Emplacement

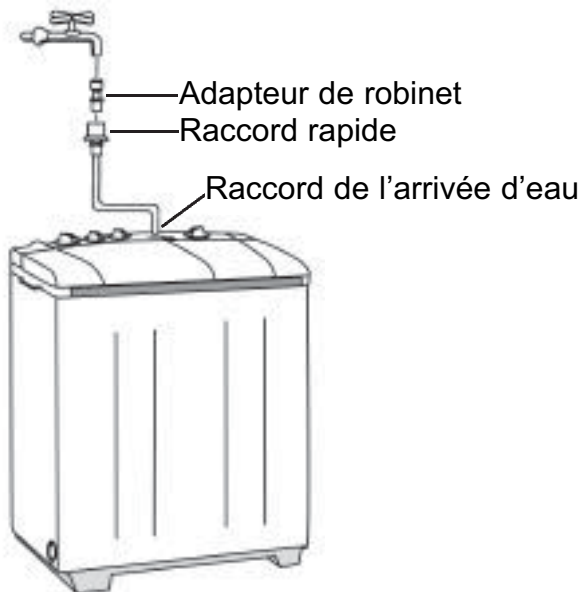
Choisissez un endroit plat. Si la laveuse n'est pas à niveau, elle peut vibrer pendant l'essorage.

Éloignez l'appareil au moins 5 cm du mur. Il peut vibrer s'il touche le mur.

Installation du Boyau

Cette laveuse est équipée d'un ensemble à raccord rapide pour le BOYAU. Prière de suivre les instructions suivantes.

1. Connectez l'adaptateur de robinet à l'arrivée d'eau.
2. Raccordez à pression le bout libre du montage du BOYAU à mi-point de raccord de l'arrivée d'eau. Un collier n'est pas nécessaire pour fixer ce raccord car le BOYAU n'est pas sous pression à cet endroit.

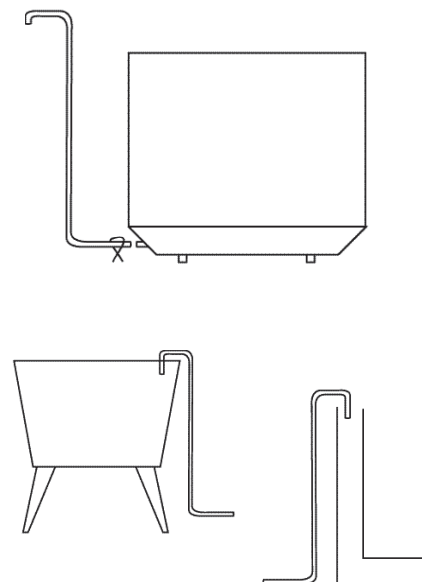


3. Installez le raccord rapide à l'adaptateur du robinet en tirant le collier blanc vers le bas. Répétez les mêmes actions pour déconnecter le raccord.
4. Pour l'utilisation portable, évitez de désaccoupler le boyau d'eau du "raccord d'arrivée d'eau".

Désaccouplez toujours le boyau sur le côté du "raccord rapide". Un "support de boyau" incorporé au "raccord rapide" vous permet d'accrocher le boyau sur le côté de la carrosserie

Installation du boyau d'écoulement

Complétez l'installation du boyau d'écoulement tel qu'indique l'illustration ci-dessous. Attachez le boyau d'écoulement au tuyau d'écoulement en utilisant le collier à ressort fourni.



Accrochez le boyau d'écoulement sur le rebord de l'évier ou directement dans le pipe du drain.

BLANCHISSAGE

A) Guide de blanchissage

<u>Brassée de lavage</u>	<u>Genre de Tissu</u>	<u>Durée de lavage</u>	<u>Action de lavage</u>	<u>Niveau d'eau</u>	<u>Détergent nécessaire</u>
Jusqu'à 1,4 kg	laine, soie, polyester rayon, tissus minces	2 min.	Douce	BAS 36 L	Approx. 40 g
	coton, toile T-shirt, sous-vêtements	7 min.	Normale		
	coton très sale, draps, vêtements de travail,	10 min.	Normale		
1,4- 2,8 kg	laine, soie, polyester rayon, tissus minces	4 min.	Douce	MÉDIUM 43 L	Approx. 47 g
	coton, toile T-shirt, sous-vêtements	7 min.	Normale		
	coton très sale, draps, vêtements de travail,	10 min.	Normale		
Au-dessus 2,8 kg	laine, soie, polyester rayon, tissus minces	4 min.	Douce / Normale	HAUT 50 L	Approx. 55 g
	coton, toile T-shirt, sous-vêtements	7 à 10 min.	Normale		
	coton très sale, draps, vêtements de travail,	10 à 15 min.	Lourde		

- Le détergent nécessaire varie selon la marque; prière de lire les instructions de fabricant de détergent.

B) Préparation

- Installez le boyau d'arrivée d'eau au robinet.
- Détachez le boyau d'écoulement et installer-le dans l'évier.
- Branchez le cordon d'alimentation dans une prise de courant.

C) Lavage

1. Niveau d'eau

Réglez le niveau d'eau selon la pesanteur de la brasée.

2. Commande de drainage

Réglez la commande à la position "Wash Rinse".

3. Détergent

Ajoutez le détergent (Si le détergent ne se dissout pas facilement, remplissez la laveuse d'un peu d'eau et mélangez le détergent pendant quelques minutes).

4. Vêtements

Ajoutez les vêtements (Enlever les allumettes, monnaies, épingles, etc. qui peuvent se trouver dans les poches des vêtements).

5. Niveau d'eau

Ouvrez le robinet et remplissez la cuve jusqu'au niveau d'eau nécessaire.

6. Action de lavage

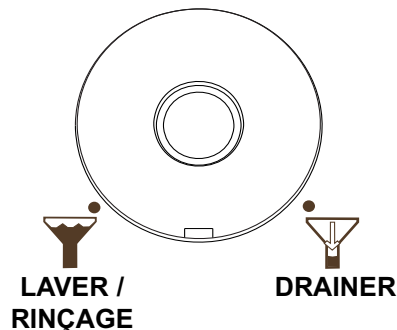
Choisissez l'action de lavage pour le genre de tissu à laver; douce ou normale.

7. Couvercle de la cuve

Fermez le couvercle de la cuve de lavage.

8. Minuterie de lavage

Tournez la commande de la minuterie dans la direction des aiguilles d'une montre jusqu'à la durée désirée. Le cycle de lavage commence immédiatement.



D) Rinçage

Drainage

Réglez la commande de drainage à la position "Drain" (DRAINER).

2. Commande de drainage

Réglez la commande de drainage à la position "WASH RINSE" (LAVÉ / RINÇAGE) pour arrêter le cycle de drainage.

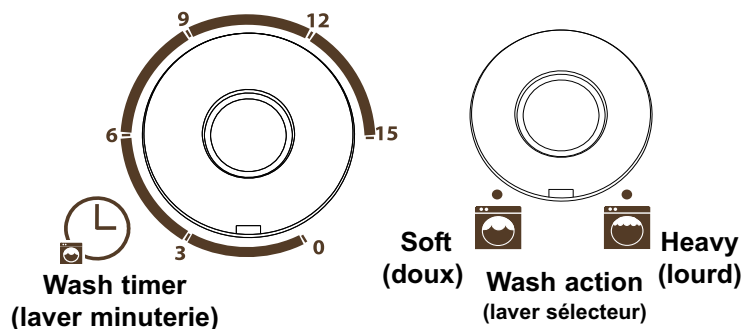
3. Niveau d'eau

Ouvrez le robinet et remplissez la cuve jusqu'au niveau nécessaire.

4. Minuterie de lavage-rinçage

Réglez la minuterie dans la direction des aiguilles d'une montre à la position de 2 à 4 minutes.

5. Répétez deux ou trois fois les procédés de 1 à 4 selon la condition des vêtements lavés.



E) Essorage

1. Chargement des vêtements trempés

Déposez vêtements trempés dans la cuve de l'essoreuse.

Assurez que le vêtements sont distribués également dans la cuve. Voir les illustrations ci-dessous.

Ajustez le couvercle de sécurité par-dessus les vêtements.

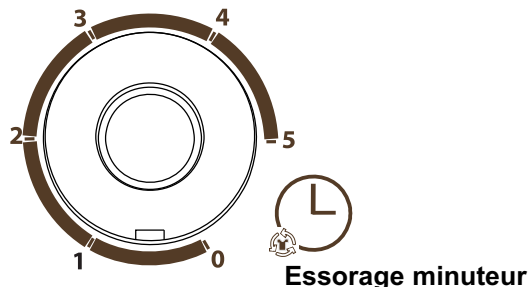
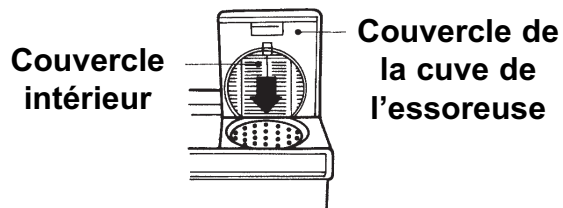
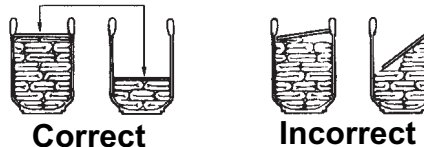
2. Fermer les couvercles.

Fermez le couvercle intérieur de l'essoreuse. L'essoreuse ne fonctionne pas si le couvercle est ouvert.

3. Minuterie de l'essoreuse

Réglez la minuterie dans la direction des aiguilles d'une montre à la durée désirée.

Couvercle de sécurité



Durée d'essorage

Type de tissu	Durée d'essorage
Vêtements qui se froissent facilement (Tissus synthétiques, fibres, délicats)	1 à 3 min.
Vêtements de travail, draps, sous-vêtements (Vêtements de travail, draps, sous-vêtements)	3 à 5 min.

Brassée mal équilibrée

Si une vibration anormale se produit, ouvrez les couvercles pour arrêter l'essoreuse et disposez de nouveau pour qu'ils soient équilibrés.

Drainage simultané

Si le drainage de l'essoreuse se produit simultanément au drainage de la laveuse, il sera obturé et une panne peut se produire. Si vous devez écouler la cuve de lavage pendant l'essorage, écouler la cuve de lavage en attendant une minute après l'essorage.

BLANCHISSAGE AVEC ESSORAGE INTERMÉDIAIRE

L'efficacité du rinçage peut être amélioré et l'eau de rinçage peut être économisé en utilisant un essorage intermédiaire entre le cycle de lavage et de rinçage.

1. Blanchissage

- Complétez les procédés normaux de lavage.

2. Drainage

- Videz la cuve de lavage en réglant la commande de drainage à la position "DRAIN" (DRAINER).

3. Essorage Intermédiaire

- Chargez la brassée dans l'essoreuse.
- Faites essorer pendant trois minutes, selon les procédés d'essorage.

4. Rinçage

- Déposez les vêtements dans la cuve de lavage.
- Faites le rinçage pendant deux à trois minutes.

5. Essorage Intermédiaire

- Déposez les vêtements dans la cuve de l'essoreuse.
- Faites essorer pendant trois minutes selon les procédés d'essorage.

6. Rinçage à débordement

- Déplacez les vêtements dans la cuve de lavage.
- Ouvrez le robinet.
- Faites rincer durant deux à trois minutes en laissant l'eau du robinet coulé.

7. Essorage final

- Déposez la brassée dans la cuve de l'essoreuse.
- Faites essorer.

ENTRETIEN DE L'APPAREIL

La vie de l'appareil peut être prolongé si elle est nettoyée après chaque utilisation. Avant le nettoyage, coupez le courant et débranchez l'appareil de la prise murale en tirant par la fiche.

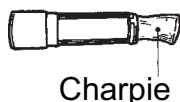
Nettoyer de meuble

- Essuyez avec un chiffon doux
- Si elle st très sale, nettoyez avec un chiffon trempé dans une solution d'eau et de détergent à vaisselle ou du savon.
- Il ne faut pas vaporiser l'appareil de l'eau, ni utiliser de diluant, nettoyeur abrasif, benzène, alcool, etc. pour le nettoyage.

Nettoyage du filtre à charpie



- Enlevez le support du filtre en le soulevant



- Renversez le filtre et rincer la charpie avec de l'eau



- Remettez le support du filtre dans le centre de l'agitateur

Nettoyage du grille de débordement



- Enlevez le drain en tirant vers le devant

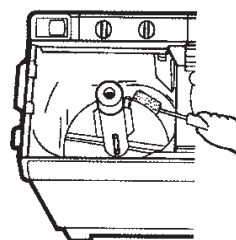


- Rincez la charpie qui s'est attachée au grille pendant le débordement



- Installez le grille de nouveau.

Nettoyage du grille du drain



- 1) Enlevez le grille du fond utilisant un outil pointu tel qu'un tournevis
- 2) Rincez la charpie qui s'est attachée au grille
- 3) Installez le grille de nouveau.

EN CAS DE PROBLÈME

Si vous croyez que l'appareil est en panne, prière de vérifier les solutions suivantes avant d'appeler un technicien de service. Il se peut que le problème soit facile à rectifier. Vous n'avez qu'à consulter le tableau suivant.

<u>Problème</u>	<u>Endroit à vérifier</u>
La laveuse ne fonctionne pas de tout	<ul style="list-style-type: none"> • Il y a t-il une panne d'électricité? • Le cordon d'alimentation est-il branché dans une prise de courant? • Le disjoncteur est-il coupé? La fusible est-elle fondue? • Avez-vous réglé la commande "WASH-TIMER" ou "SPIN-TIMER" pour mettre l'appareil en marche?
La laveuse ne se vide pas à fond	<ul style="list-style-type: none"> • Le boyau de drainage est-il bouché par le charpie? • Le boyau de drainage est-il plié? • Une partie du boyau est-elle plus haute que 90 cm? (35 po.) • Est-ce que le fil de rallonge mesure plus de 3 m? (9 pieds) • Un boyau trop étroit est-il utilisé?
L'appareil émet un bruit anormal pendant le lavage	<ul style="list-style-type: none"> • Un objet touche t-il l'agitateur durant la rotation?
Pas d'eau	<ul style="list-style-type: none"> • Le boyau d'arrive est-il installé? Le robinet est-il ouvert? • L'arrivée d'eau a-t-elle été coupée dû à un manque d'eau dans le votre region? • Il y a t-il un engorgement dans le boyau?
L'appareil n'essore pas	<ul style="list-style-type: none"> • Est-ce que le couvercle de l'essoreuse est ouvert? • Se trouve-t-il des vêtements entre les deux cuves?
Un bruit de cuve contre cuve est entendu	<ul style="list-style-type: none"> • La laveuse est-elle de niveau? • Les vêtements sont-ils mals équilibrés? (Redistribuer les vêtements)



GARANTIE LIMITÉE SUR APPAREIL ÉLECTROMÉNAGER À DOMICILE

Cet appareil de qualité est garanti exempt de tout vice de matière première et de fabrication, s'il est utilisé dans les conditions normales recommandées par le fabricant.

Cette garantie n'est offerte qu'à l'acheteur initial de l'appareil vendu par Danby Products Limited (Canada) ou Danby Products Inc. (E.- U. d'A) (ci-après "Danby") ou par l'un des ses distributeurs agréés et elle ne peut être transférée.

CONDITIONS

Les pièces en plastique sont garanties pour trente (30) jours seulement à partir de la date de l'achat, sans aucune prolongation prévue.

Première 12 mois Pendant les douze (12) mois, toutes pièces fonctionnelles de ce produit s'avèrent défectueuses, seront réparées ou remplacées, selon le choix du garant, sans frais à l'acheteur INITIAL.

Pour bénéficier du Service Le client sera responsable pour le transport et tous les frais d'expédition de tout appareil exigeant le service au dépôt de service autorisé le plus proche. S'adresser au détaillant qui a vendu l'appareil, ou à la station technique agréée de service la plus proche, où les réparations doivent être effectuées par un technicien qualifié. Si les réparations sont effectuées par quiconque autre que la station de service agréée où à des fins commerciales, toutes les obligations de Danby en vertu de cette garantie seront annulées.

Limites de l'entretien à domicile Si l'appareil est installé à plus de 100 kilomètres (62 milles) du centre de service le plus proche, il doit être livré à l'atelier de réparation autorisé par Danby le plus proche, car l'entretien doit uniquement être réalisé par un technicien qualifié et certifié pour effectuer un entretien couvert par la garantie de Danby. Les frais de transport entre votre domicile et le lieu de l'entretien ne sont pas couverts par la présente garantie et doivent être acquittés par l'acheteur.

Cette garantie indique en aucun temps la responsabilité de Danby de l'avarie ou dommage de la vin ou autre contenu, soit par les vices de l'appareil, ou soit par l'utilisation convenable ou inexacte.

EXCLUSIONS

En vertu de la présente, il n'existe aucune autre garantie, condition ou représentation, qu'elle soit exprimée ou tacite, de façon manifeste ou intentionnelle, par Danby ou ses distributeurs agréés. De même, sont exclues toutes les autres garanties, conditions ou représentations, y compris les garanties, conditions ou représentations en vertu de toute loi régissant la vente de produits ou de toute autre législation ou règlement semblables.

En vertu de la présente, Danby ne peut être tenue responsable en cas de blessures corporelles ou des dégâts matériels, y compris à l'appareil, quelle qu'en soit les causes. Danby ne peut pas être tenue responsable des dommages indirects dus au fonctionnement défectueux de l'appareil. En achetant l'appareil, l'acheteur accepte de mettre à couvert et de dégager Danby de toute responsabilité en cas de réclamation pour toute blessure corporelle ou tout dégât matériel causé par cet appareil.

CONDITIONS GÉNÉRALES

La garantie ou assurance ci-dessus ne s'applique pas si les dégâts ou réparations sont dus aux cas suivants:

- 1) Panne de courant.
- 2) Dommages subis pendant le transport ou le déplacement de l'appareil.
- 3) Alimentation électrique incorrecte (tension faible, câblage défectueux, fusibles incorrects).
- 4) Accident, modification, emploi abusif ou incorrect de l'appareil tel qu'une circulation d'air inadéquate dans la pièce ou des conditions de fonctionnement anormales (température extrêmement élevée ou basse).
- 5) Utilisation dans un but commercial ou industriel (à savoir, si l'appareil n'est pas installé dans un domicile résidentiel).
- 6) Incendie, dommages causés par l'eau, vol, guerre, émeute, hostilités, cas de force majeure (ouragan, inondation, etc.).
- 7) Visites d'un technicien pour expliquer le fonctionnement de l'appareil au propriétaire.
- 8) Installation inappropriée (par exemple, encastrement d'un appareil autoportant, ou utilisation extérieure d'un appareil non conçu à cet effet).

Une preuve d'achat doit être présentée pour toute demande de réparation sous garantie. Prière de garder le reçu. Pour faire honorer la garantie, présenter ce document à la station technique agréée ou s'adresser à:

Service sous-garantie
Service au domicile

Danby Products Limited
PO Box 1778, Guelph, Ontario, Canada N1H 6Z9
Telephone: (519) 837-0920 FAX: (519) 837-0449

1-800-263-2629

Danby Products Inc.
PO Box 669, Findlay, Ohio, U.S.A. 45840
Telephone: (419) 425-8627 FAX: (419) 425-8629

ÍNDICE

Instrucciones de seguridad	26
Identificación de piezas	28
Precauciones de uso	29
Instrucciones de conexión a tierra	29
Instrucciones de instalación	30
Procedimiento de lavado	31
Método de lavado con centrifugado intermedio	34
Limpieza después del uso	34
Antes de solicitar mantenimiento	35
Garantía	36

INTRODUCCIÓN

Gracias por comprar un equipo Danby. Antes de operar esta unidad, lea y guarde estas instrucciones.

Número de modelo: _____ Número de serie: _____

Fecha de compra: _____ Lugar de compra: _____

Nombre y dirección del vendedor: _____

Se solicitará esta información si su unidad requiere mantenimiento o en caso de consultas generales. Para comunicarse con un representante de Servicio al cliente, llame al NÚMERO GRATUITO de Danby. 1-800-26 -**DANBY**

LEA Y GUARDE CUIDADOSAMENTE ESTAS INSTRUCCIONES

Estas instrucciones de uso están dirigidas al usuario. Describen el equipo y los procedimientos correctos de instalación y operación para garantizar un uso seguro.

NOTA:

Este equipo ha sido empacado y meticulosamente inspeccionado antes de salir de nuestra fábrica. El transportista ha asumido la responsabilidad de entregarlo en forma segura al aceptar hacer este envío. Los reclamos por pérdida o daño en tránsito deben realizarse directamente al transportista.

Guarde estas instrucciones

1. Lea cuidadosamente este manual de instrucciones antes de la operación.
2. Consulte las Instrucciones de conexión a tierra en el Manual de instalación para realizar la conexión a tierra adecuada de la lavadora.
3. No lave artículos que se hayan limpiado, lavado, mojado o manchado previamente con gasolina, solventes de limpieza en seco u otras sustancias inflamables o explosivas, ya que emanan vapores que pueden prenderse fuego o explotar.
4. No permita que los niños jueguen sobre la lavadora o en el interior de esta. Se requiere una atenta supervisión de los niños cuando la lavadora se utiliza cerca de éstos.
5. No introduzca las manos en la lavadora si la tina interna o el agitador se encuentran girando.
6. No instale ni ubique la lavadora en un lugar donde esté expuesta al agua o a las inclemencias del tiempo.
7. No trate de forzar los controles.
8. No repare ni reemplace ninguna pieza de la lavadora, ni intente realizar ningún tipo de mantenimiento, a menos que esto se recomiende específicamente en la guía del usuario de instrucciones para el mantenimiento y la resolución de problemas que usted comprenda y tenga la habilidad de llevar a cabo.
9. No agregue gasolina, solventes de limpieza en seco u otras sustancias inflamables o explosivas al agua de lavado. Estas sustancias emanan vapores que pueden prenderse fuego o explotar.
10. En ciertas condiciones puede producirse gas hidrógeno en un sistema de agua caliente que no haya sido utilizado durante dos semanas o más. **EL GAS HIDRÓGENO ES EXPLOSIVO.** Si el sistema de agua caliente no ha sido utilizado durante dicho período, antes de utilizar esta lavadora, abra todos las llaves de agua caliente y deje que el agua fluya de cada una de ellas durante varios minutos. Esto liberará todo el gas hidrógeno que se encuentre acumulado. **EL GAS ES INFLAMABLE; NO FUME NI UTILICE UNA LLAMA ABIERTA DURANTE ESTE LAPSO.**
11. Reemplace los cables eléctricos desgastados o los enchufes sueltos.
12. Para reducir el riesgo de descarga eléctrica o de incendio, **NO** utilice una extensión o un adaptador para conectar la lavadora a toma de electricidad.
13. Utilice la lavadora únicamente para su uso previsto, que es el lavado de prendas.
14. Desconecte SIEMPRE la lavadora del suministro eléctrico antes de realizar cualquier tipo de mantenimiento. Desconecte el cable eléctrico tomándolo del enchufe, no del cable.
15. Instale la lavadora según las **INSTRUCCIONES DE INSTALACIÓN.** Todas las conexiones de agua, consumo de energía eléctrica y conexiones a tierra deben cumplir con las normas locales, y deben ser instaladas por personal autorizado cuando se requiera. No lo haga usted mismo, a menos que sepa cómo hacerlo.
16. Para reducir el riesgo de incendio, las prendas que tengan vestigios de sustancias inflamables, tales como aceite vegetal, aceite de cocina, lubricantes, sustancias químicas inflamables, diluyentes, etc., o que contengan cera o sustancias químicas, tales como trapeadores y trapos de limpieza, no deben colocarse en la lavadora. Estas sustancias inflamables pueden hacer que la tela se prenda fuego por sí misma.
17. No utilice suavizantes de telas o productos para eliminar la estática, a menos que lo recomiende el fabricante del suavizante de telas o del producto.
18. Mantenga su lavadora en buenas condiciones. Golpear o dejar caer la lavadora puede dañar las funciones de seguridad. Si esto ocurre, solicite a un reparador calificado que inspeccione su lavadora.
19. Asegúrese de que las conexiones de agua tengan una válvula de cierre y que las conexiones de la manguera de llenado estén ajustadas. **CIERRE** las válvulas de cierre al final de cada día de lavado.
20. La **TAPA DEBE CERRARSE** cada vez que la lavadora realice el centrifugado. **NO** evite el interruptor de seguridad al permitir que la lavadora realice el centrifugado con la tapa abierta. Un freno detendrá la tina interna en segundos si la tapa se encuentra abierta durante el centrifugado. Si la tina interna no se detiene cuando la tapa está abierta, interrumpa el uso de la lavadora y llame a un reparador.

INSTRUCCIONES DE SEGURIDAD

21. Siga en todo momento las instrucciones para el cuidado de telas suministradas por el fabricante de las prendas.
22. Nunca opere la lavadora si se le ha quitado algún panel o protección.
23. NO opere la lavadora si le faltan piezas o si alguna está dañada.
24. NO evite ningún dispositivo de seguridad.
25. Si no se instala, mantiene u opera esta máquina de acuerdo con las presentes instrucciones, pueden generarse condiciones que produzcan lesiones corporales o daños materiales.

IMPORTANTE

La **ADVERTENCIA Y LAS INSTRUCCIONES IMPORTANTES DE SEGURIDAD** que figuran en este manual no pretenden abarcar todas las posibles condiciones y situaciones que pudieran ocurrir. Debe comprenderse que el sentido común, la precaución y el cuidado son factores que **NO** vienen incorporados en la lavadora. Estos factores **DEBEN SER** proporcionados por la persona que instala, mantiene u opera la lavadora.

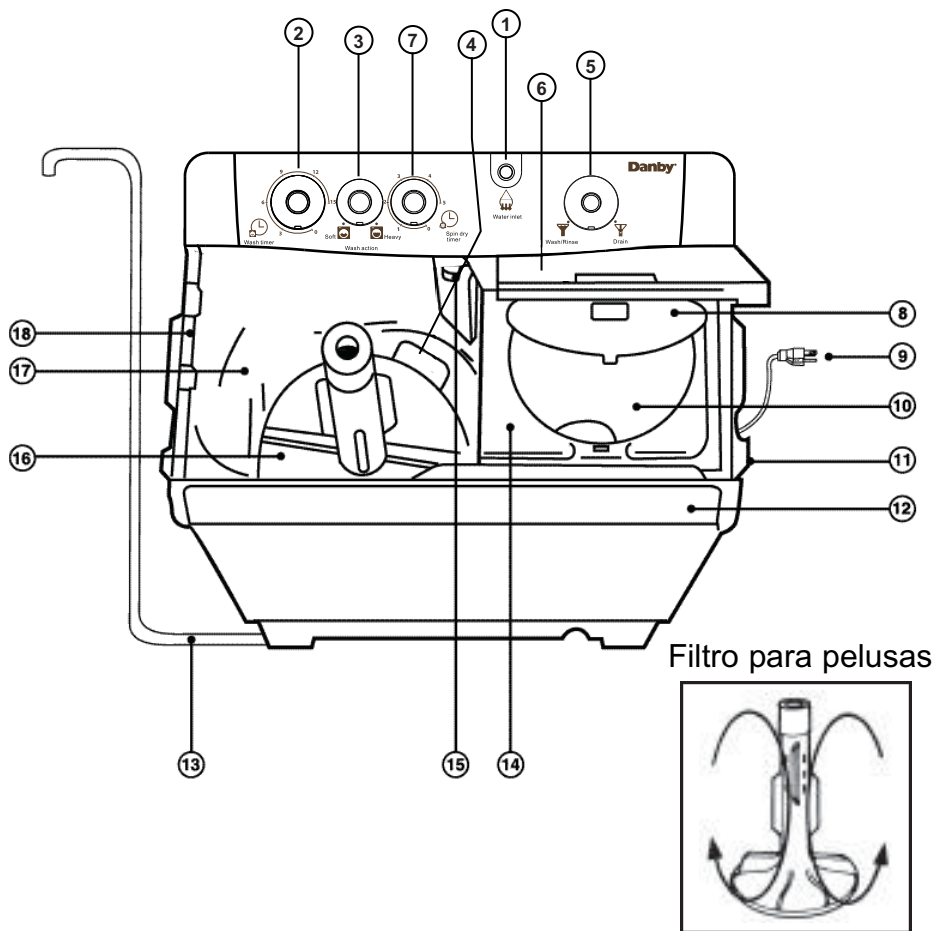
Comuníquese siempre con su vendedor, distribuidor, representante de mantenimiento o fabricante en caso de que se presenten problemas o condiciones que no comprenda.

ADVERTENCIA

Para reducir el riesgo de golpe eléctrico, **desenchufar el aparato de la fuente de energía antes de desempeñar mantenimiento. Poner los ajustes a la posición OFF no desenchufar el aparato de la fuente de energía.**

IDENTIFICACIÓN DE PIEZAS

- | | | |
|---|---|--|
| <ul style="list-style-type: none"> 1. Entrada de agua 2. Temporizador de lavado 3. Selector de acción de lavado 4. Filtro de drenaje 5. Selector de drenaje 6. Tapa de la tina de centrifugado 7. Temporizador de centrifugado | <ul style="list-style-type: none"> 8. Tapa de la tina interna de centrifugado 9. Cable eléctrico 10. Tina de centrifugado 11. Gancho para manguera 12. Frente del panel 13. Manguera de drenaje 14. Sección de lavado por fricción | <ul style="list-style-type: none"> 15. Filtro de desagüe 16. Pulsador (con filtro para pelusas) 17. Tina de lavado 18. Tapa de la tina de lavado |
|---|---|--|



PRECAUCIONES DE USO

Calor

Muchas piezas de esta lavadora están hechas de plástico; nunca coloque objetos calientes sobre la lavadora o cerca de ella.

Uso de agua caliente

Utilice solo agua a una temperatura inferior a 50 °C. Si el agua que utilizará está por encima de 50 °C, primero llene parcialmente la lavadora con agua fría y luego agregue el agua caliente.

Artículos que no deben lavarse ni centrifugarse

No coloque zapatos, utensilios, etc., en la tina para lavarlos o centrifugarlos. Esto podría ocasionar problemas.

Cómo introducir las prendas

- No sobrecargue la lavadora.
- Doble la ropa abultada antes de introducirla en la tina.
- No deje que las prendas cubran la parte superior del agitador. Esto podría disminuir la eficiencia del lavado.

Llave de agua

Controle el suministro de agua ajustando la válvula de la llave. Si la presión del agua es demasiado elevada, el suelo puede salpicarse con agua.

IMPORTANTE

Este equipo cuenta con una función de seguridad llamada “desagüe del agua”, diseñada para activar automáticamente la bomba en caso de un desbordamiento accidental de agua. No obstante, esta función solo puede operarse mientras el equipo esté conectado a una fuente eléctrica.

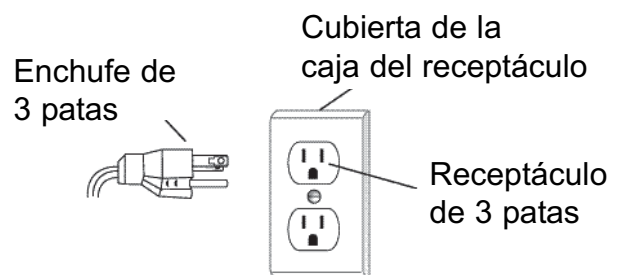
INSTRUCCIONES DE CONEXIÓN A TIERRA

Este aparato debe conectarse a tierra. En caso de un cortocircuito eléctrico, la conexión a tierra disminuye el riesgo de descarga eléctrica al proveer un cable de escape para la corriente eléctrica. Este equipo incluye un cable de conexión a tierra con un enchufe de conexión a tierra. Este enchufe debe colocarse en un tomacorriente que haya sido instalado y conectado a tierra adecuadamente.

ADVERTENCIA

El uso inadecuado del enchufe de conexión a tierra puede producir riesgo de descarga eléctrica. Consulte a un electricista o reparador calificado si no comprende las instrucciones de conexión a tierra en su totalidad o si tiene dudas acerca de si el equipo está conectado a tierra adecuadamente. Si necesita utilizar una extensión, use únicamente una extensión de tres hilos que tenga una conexión a tierra de tres clavijas y un receptáculo con tres ranuras que sea compatible con el enchufe del equipo. La clasificación marcada de la extensión debe ser igual o mayor a la clasificación eléctrica del equipo.

USE UN ENCHUFE DE 3 PATAS



INSTRUCCIONES DE INSTALACIÓN

Lugar de instalación

Elija un lugar sobre un piso sólido y horizontal. Si la máquina se instala sobre un piso inestable, se producirán fuertes vibraciones durante el centrifugado.

Mantenga la estructura de la máquina a más de 5 cm de distancia de la pared. Si entra en contacto con ésta, puede vibrar.

Instalación de la manguera

Para mayor practicidad, esta lavadora cuenta con un equipo de manguera de conexión rápida. Siga estas instrucciones:

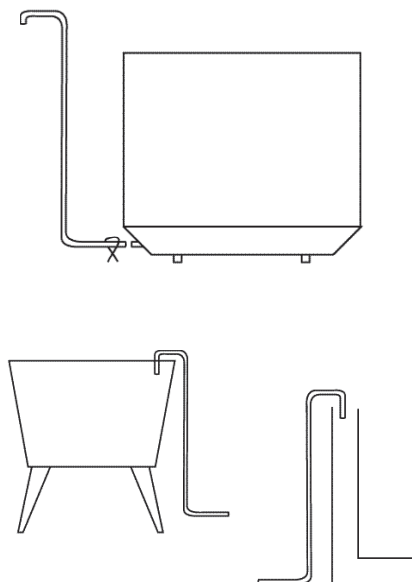
1. Conecte el adaptador de la llave al suministro de agua
2. Ajuste a presión el extremo abierto del montaje de la manguera apretando al menos hasta la mitad de la boquilla de entrada de agua. No se requieren abrazaderas para fijar esta conexión, ya que no es una aplicación de línea presurizada.



3. Instale el accesorio de conexión rápida en el adaptador de la llave extrayendo el aro blanco. Extraiga el aro blanco para la desconexión.
4. En el caso de aplicaciones portátiles, no desconecte el ensamblaje de la manguera de agua desde la conexión de la boquilla de entrada de agua. Desconecte siempre la manguera desde el lado del accesorio de conexión rápida. Se proporciona un gancho de suspensión en la conexión rápida, que le permite colgar convenientemente la manguera en el costado del gabinete.

Instalación de la manguera de drenaje

Instale la manguera de drenaje adecuadamente, como se muestra a continuación. Fije la manguera de drenaje al tubo de salida de drenaje utilizando la abrazadera provista.



Cuelgue la manguera de drenaje sobre el borde del fregadero, o directamente en el tubo de drenaje.

PROCEDIMIENTO DE LAVADO

A) Guía de lavado

<u>Carga de lavado</u>	<u>Tipo de tela</u>	<u>Tiempo de lavado</u>	<u>Acción de lavado</u>	<u>Nivel de agua</u>	<u>Cantidad de detergente</u>
Hasta 1,4 kg	Lana, seda, poliéster Rayón, prendas delgadas	2 min.	Suave	BAJA 36 L	Aprox. 40 g
	Algodón, lino Camisetas, ropa interior	7 min.	Normal		
	Algodón muy sucio Ropa de trabajo, sábanas	10 min.	Normal		
De 1,4 a 2,8 kg	Lana, seda, poliéster Rayón, prendas delgadas	4 min.	Suave	MEDIANO 43 L	Aprox. 47 g
	Algodón, lino Camisetas, ropa interior	7 min.	Normal		
	Algodón muy sucio Ropa de trabajo, sábanas	10 min.	Normal		
Más de 2,8 kg	Lana, seda, poliéster Rayón, prendas delgadas	4 min.	Suave/Normal	ALTO 50 L	Aprox. 55 g
	Algodón, lino Camisetas, ropa interior	De 7 a 10 min.	Normal		
	Algodón muy sucio Ropa de trabajo, sábanas	De 10 a 15 min.	Pesada		

- La cantidad de detergente para ropa dependerá del tipo de detergente utilizado; lea cuidadosamente las instrucciones que acompañan al detergente.

B) Preparación

- Conecte la manguera de entrada a la llave de agua.
- Descuelgue la manguera de drenaje y colóquela adecuadamente.
- Enchufe el cable eléctrico en una toma de corriente.

C) Lavado

1. Nivel de agua

Establezca el nivel de agua adecuadamente, según el tamaño de la carga que lavará.

2. Interruptor de selección de la válvula de drenaje

Coloque el interruptor de selección de la válvula de drenaje en la posición "Lavado/Enjuague".

3. Detergente

Coloque el detergente para ropa (si el detergente no se disuelve fácilmente, vierta una pequeña cantidad de agua en la lavadora y mezcle el detergente con el agua durante algunos minutos).

4. Prendas

Introduzca las prendas (retire cerillos, monedas, alfileres, etc., que puedan haber quedado dentro de los bolsillos de las prendas).

5 Suministro de agua

Abra la llave de agua y vierta agua en la tina hasta el nivel de agua apropiado según la carga de lavado.

D) Enjuague

1. Drenaje

Coloque el interruptor de selección de la válvula de drenaje en la posición de DRENAJE.

El agua dreña por completo en aproximadamente en dos minutos.

2. Interruptor de drenaje

Coloque nuevamente el interruptor de selección de la válvula de drenaje en la posición LAVADO/ENJUAGUE, para detener el ciclo de drenaje.

3. Suministro de agua

Abra la llave de agua y vierta agua en la tina hasta el nivel apropiado según la ropa.

6. Acción de lavado

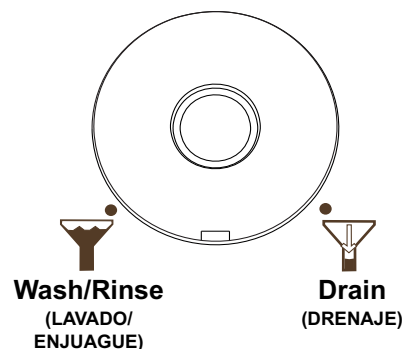
Seleccione una acción de lavado según el tipo de tela que lavará: Delicada, Normal

7. Tapa de la tina de lavado

Cierre la tapa de la tina de lavado.

8. Temporizador de lavado

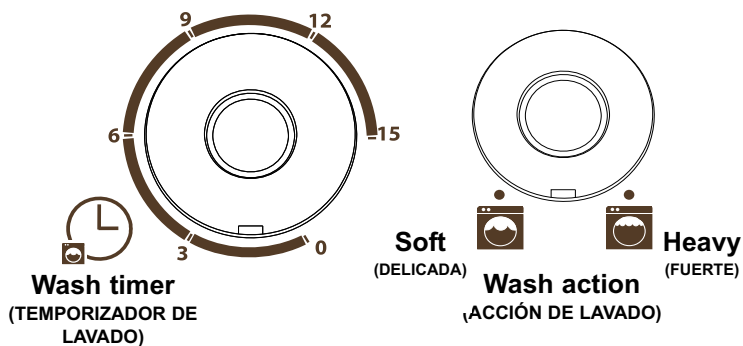
Gire el temporizador de lavado en sentido horario hasta que alcance la posición del tiempo de lavado deseada. El ciclo de lavado comienza de inmediato.



4. Temporizador de enjuague/lavado

Gire el temporizador de lavado en sentido horario. Establezca el tiempo en la posición de 2 a 4 minutos.

5. Repita los procesos del 1 al 4 dos veces o tres veces, dependiendo de la condición de la ropa lavada.

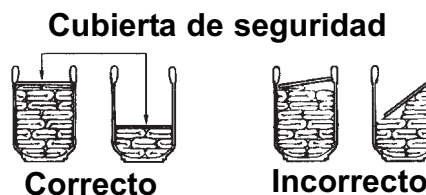


E) Centrifugado

1. Cómo introducir las prendas

Coloque las prendas mojadas en la tina de centrifugado.

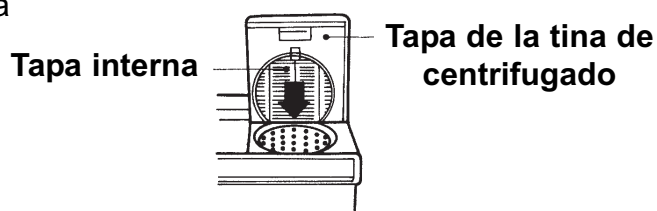
Distribuya las prendas en el interior de la tina, asegurándose de hacerlo en forma equilibrada. Coloque adecuadamente la cubierta de seguridad por encima de las prendas.



2. Cómo cerrar las tapas

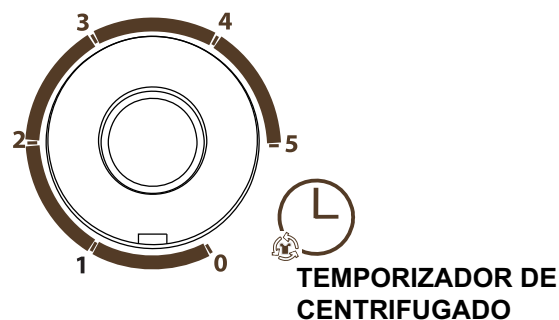
Cierre la tapa de la tina de centrifugado y la tapa interna.

La máquina no realizará el centrifugado si la tapa de centrifugado se encuentra abierta.



3. Temporizador de centrifugado

Gire el temporizador en sentido horario hasta que alcance la posición del tiempo de centrifugado deseada.



Tiempo de centrifugado

Tipo de tela	Tiempo de centrifugado
Prendas que se arrugan fácilmente (sintéticas, de fibras, de materiales delicados)	De 1 a 3 min.
Prendas que no se arrugan fácilmente (ropa de trabajo, sábanas, ropa interior)	De 3 a 5 min.

Desbalanceo

Si se produce una vibración anormal durante el centrifugado, abra las tapas para detener la tina de centrifugado y vuelva a acomodar las prendas en forma pareja.

Drenaje simultáneo

Si se realiza el drenaje de la tina de lavado y el de la tina de centrifugado al mismo tiempo, el drenaje de la tina de centrifugado se obstruirá y puede producirse un mal funcionamiento. Por lo tanto, si necesita drenar la tina de lavado mientras realiza el centrifugado, asegúrese de drenar la tina de lavado después de que haya transcurrido al menos un minuto de centrifugado.

MÉTODO DE LAVADO CON CENTRIFUGADO INTERMEDIO

Puede mejorar el efecto del enjuague y ahorrar agua de enjuague utilizando un centrifugado intermedio entre el proceso de lavado y el de enjuague:

1. LAVADO

- Realice el proceso de lavado como se describe en el procedimiento de lavado.

2. Drenaje

- Drene la tina de lavado girando el interruptor de selección de la válvula de drenaje a la posición de DRENAJE.

3. Centrifugado intermedio

- Pase la ropa hacia la tina de centrifugado.
- Realice el proceso de centrifugado durante aproximadamente tres minutos, como se describe en el procedimiento de centrifugado.

4. Enjuague

- Pase la ropa hacia la tina de lavado.
- Realice el proceso de enjuague durante unos dos o tres minutos.

5. Centrifugado intermedio

- Pase la ropa hacia la tina de centrifugado.
- Realice el proceso de centrifugado durante aproximadamente tres minutos, como se describe en el procedimiento de centrifugado.

6. Enjuague del desagüe

- Pase la ropa hacia la tina de lavado.
- Abra la llave de agua.
- Realice el proceso de enjuague durante unos dos o tres minutos, sin interrumpir el suministro de agua.

7. Centrifugado final

- Pase la ropa hacia la tina de centrifugado.
- Realice el proceso de centrifugado.

LIMPIEZA DESPUÉS DEL USO

La limpieza después del uso prolongará la vida de su lavadora. Antes de limpiarla, apague el interruptor de energía eléctrica y desconecte el cable eléctrico de la toma de corriente, asegurándose de tomarlo del cuerpo del enchufe.

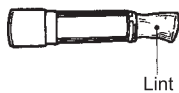
Limpieza de la estructura

- Límpiela con un paño suave.
- Si está muy sucia, límpiela con un trapo mojado en una solución de agua y detergente o jabón para platos.
- No rocíe la lavadora con agua ni utilice diluyentes de pintura, limpiadores abrasivos, benceno, alcohol, etc., para limpiarla.

Limpieza del filtro para pelusas



- Extraiga el armazón del filtro.



- Voltee el filtro al revés y quítele las pelusas con agua.

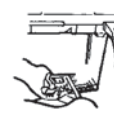


- Inserte el armazón del filtro en el agitador del centro, como estaba anteriormente.

Limpieza del filtro de desagüe



- Extraiga el filtro.

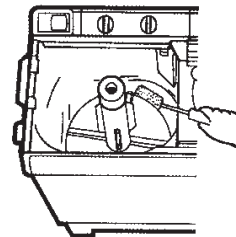


- Quite con agua las pelusas adheridas al filtro durante el desagüe.



- Vuelva a instalar el filtro.

Limpieza del filtro de drenaje



- 1) Extraiga el filtro de drenaje de la parte inferior de la tina con una herramienta afilada, como un desarmador.
- 2) Quite con agua las pelusas adheridas al filtro.
- 3) Vuelva a instalar el filtro.

ANTES DE SOLICITAR MANTENIMIENTO

Si sospecha que su lavadora necesita mantenimiento, antes de llamar para recibir atención verifique los siguientes puntos a fin de ahorrar costos innecesarios. Puede sorprenderse gratamente al ver que un aparente mal funcionamiento se soluciona fácilmente al seguir el siguiente cuadro.

<u>Problema</u>	<u>Lugar que se inspeccionará</u>
La lavadora no funciona.	<ul style="list-style-type: none"> • ¿Se produjo un apagón? • ¿El cable eléctrico está conectado correctamente a una toma de corriente eléctrica? • ¿El fusible eléctrico o el interruptor están quemados? • ¿Giró la perilla “temporizador de lavado” o “temporizador de centrifugado” para comenzar la operación?
La lavadora no drena adecuadamente.	<ul style="list-style-type: none"> • ¿La manguera de drenaje está obstruida con pelusas? • ¿La manguera de drenaje está enroscada? • ¿Alguna parte de la manguera se encuentra a una altura superior a los 90 cm (35 pulgadas)? • ¿La longitud de la manguera de extensión es superior a los 3 m (9 pies)? • ¿La manguera utilizada es angosta?
Hay un ruido anormal durante el lavado.	<ul style="list-style-type: none"> • ¿Algo toca el agitador a medida que gira?
No se suministra agua.	<ul style="list-style-type: none"> • ¿La manguera de entrada está conectada y la llave de agua está cerrada? • ¿Se ha suspendido el suministro de agua debido a la falta de agua en su localidad? • ¿Hay partículas extrañas que obstruyen la entrada de agua?
La lavadora no centrifuga.	<ul style="list-style-type: none"> • ¿La tapa de la tina de centrifugado está abierta? • ¿Se ha caído alguna prenda entre la tina de centrifugado y la tina de lavado?
Se escucha el golpeteo de la tina de centrifugado contra la tina de lavado.	<ul style="list-style-type: none"> • ¿Está nivelada la lavadora? • ¿Las prendas se amontonaron en un lado de la tina? (redistribúyalas de manera uniforme).



GARANTÍA LIMITADA PARA ELECTRODOMÉSTICO

Este producto de calidad está garantizado contra defectos de fabricación, incluidas partes y mano de obra, siempre y cuando la unidad se utilice en las condiciones normales de funcionamiento para las que fue diseñado.

Esta garantía está solamente disponible para la persona que haya comprado originalmente esta unidad directamente de Danby Products Limited (Canada) o Danby Products Inc. (U.S.A.) (en adelante "Danby") o uno de sus distribuidores autorizados, y no es transferible.

CONDICIONES DE LA GARANTÍA

Las piezas plásticas se autorizan por treinta (30) días solamente a partir de la fecha de la compra, sin las extensiones proporcionadas.

Primeros 12 meses Durante los primeros 12 meses, cualquier parte en buen estado de este producto que resulte defectuosa, incluido cualquier sistema sellado, será reparada o reemplazada, a opción del fabricante, sin cargo para el comprador ORIGINAL.

Para obtener Servicio Danby se reserva el derecho de limitar la cobertura de "Servicio a Domicilio" sujeto a la proximidad de un Taller de Servicio Autorizado. Para todo aparato que requiera servicio fuera del área limitada de "Servicio a Domicilio", el cliente será responsable de transportar dicho aparato hasta el Taller de Servicio Autorizado más cercano. Consulte a continuación los "Límites del servicio técnico a domicilio". Comuníquese con el distribuidor donde haya comprado la unidad, o llame al Taller de Servicio Autorizado más cercano, donde debe ser reparada por un técnico calificado. Si esta unidad es reparada en otro lugar que no sea un Taller de Servicio Autorizado, o si la unidad se utiliza para aplicaciones comerciales, Danby no se hará responsable de ninguna forma y la garantía será anulada.

Límites del servicio Si el electrodoméstico está instalado en un lugar que se encuentra a 100 kilómetros (62 millas) o más del centro de servicios más cercano, se debe llevar la unidad al Centro de servicios Danby autorizado más cercano, ya que dicho servicio solo puede realizarlo un técnico calificado y certificado por Danby para prestar servicios de garantía. Los cargos por transporte desde y hacia el lugar en que se efectúe el servicio técnico no están cubiertos por esta garantía y son responsabilidad del comprador.

Nada dentro de esta garantía implica que Danby será responsable por cualquier daño que hayan sufrido los alimentos u otros contenidos de este aparato, ya sea debido a un defecto del aparato o a su uso, sea adecuado o inadecuado.

EXCLUSIONES

Salvo lo aquí indicado por Danby, no existen otras garantías, condiciones o representaciones, explícitas o implícitas, concretas o intencionales por parte de Danby o sus distribuidores autorizados, y todas las demás garantías, condiciones o representaciones, incluida cualquier garantía, condiciones o representaciones según cualquier Acta de Venta de Productos o legislación o estatuto similar, quedan de esta forma expresamente excluidas. Salvo lo aquí indicado, Danby no será responsable por ningún daño a personas o bienes, incluida la propia unidad, sin importar su causa, o de ningún daño indirecto causado por el desperfecto de la unidad, y al comprar esta unidad, el comprador acepta por la presente, indemnizar y proteger a Danby contra cualquier reclamo por daños a personas o bienes causados por la unidad.

CONDICIONES GENERALES

No se considerará ninguna de estas garantías o seguros cuando el daño o la necesidad de reparación sea el producto de los siguientes casos:

- 1) Falla del suministro eléctrico.
- 2) Daños en tránsito o durante el transporte de la unidad.
- 3) Alimentación incorrecta, como bajo voltaje, instalación eléctrica defectuosa o fusibles inadecuados.
- 4) Accidente, modificación, abuso o uso incorrecto del aparato, tal como insuficiente ventilación del ambiente o condiciones de operación anormales (temperatura ambiente extremadamente alta o baja).
- 5) Utilización comercial o industrial (p. ej., si el electrodoméstico no está instalado en una vivienda particular).
- 6) Incendio, daños por agua, robo, guerra, disturbios, hostilidades, actos de fuerza mayor como huracanes, inundaciones, etc.
- 7) Pedidos de servicio debido a desinformación del usuario.
- 8) Instalación inadecuada (p. ej., instalación empotrada de un electrodoméstico diseñado como unidad independiente o uso de un electrodoméstico al aire libre que no esté aprobado para dicho fin).

Para acceder a la garantía se solicitará un comprobante de compra; por lo tanto, guarde su recibo. En caso de necesitar servicio de garantía, presente ese documento al TALLER DE SERVICIO AUTORIZADO.

**Servicio de Garantía
Servicio a Domicilio**

Danby Products Limited
PO Box 1778, Guelph, Ontario, Canadá N1H 6Z9
Teléfono: (519) 837-0920 FAX: (519) 837-0449

1-800-263-2629

Danby Products Inc.
PO Box 669, Findlay, Ohio, EE. UU. 45840
Teléfono: (419) 425-8627 FAX: (419) 425-8629



TWIN TUB WASHING MACHINE

The model number can be found on the serial plate located on the back panel of the unit.

All repair parts available for purchase or special order when you visit your nearest service depot. To request service and/or the location of the service depot nearest you, call the TOLLFREE NUMBER.

When requesting service or ordering parts, always provide the following information:

- Product Type
- Model Number
- Part Description

LAVADORA DE DOBLE TINA

El número de modelo se puede encontrar en la placa serial situada en el panel trasero de la unidad.

Todas las piezas de reparación disponibles para la compra o la orden especial cuando usted visita su depósito más cercano del servicio. Para pedir servicio y/o la localización del depósito del servicio lo más cerca posible usted, llame Danby gratis.

Al pedir servicio o pidiendo piezas, proporcione siempre la información siguiente:

- Tipo de Producto
- Número de Modelo
- Descripción de la Parte

LAVEUSE-ESSOREUSE

Le numéro de modèle se trouve sur la plaque d'identification qui se trouve sur le coin du haut gauche de l'arrière.

Toutes les pièces de rechange sont disponibles immédiatement ou peuvent être commandées de votre Centre de Service régional. Pour obtenir le service et/ou le Centre de Service le plus proche, téléphonez le numéro sans-frais indiqué à gauche pour le Canada et les États-Unis.

Ayez les informations suivantes à la portée de la main lors de la commande de pièces ou service:

- Genre de produit
- Numéro de modèle
- Description de la pièce



MODE L • MODÈLE • MODELO
DTT100A1WDB