

GB Subject to change  
D Änderungen vorbehalten  
NL Wijzigingen voorbehouden  
F Sous réserve de modifications  
E Reservado el derecho de modificaciones técnicas  
P Reservado o direito a modificações  
I Con riserva di modifich  
S Ändringar förbehålles  
FIN Pidätämme oikeuden muutoksiin  
N Rett till endringer forbeholdes  
DK Ret til ændringer forbeholdes

# FERM®

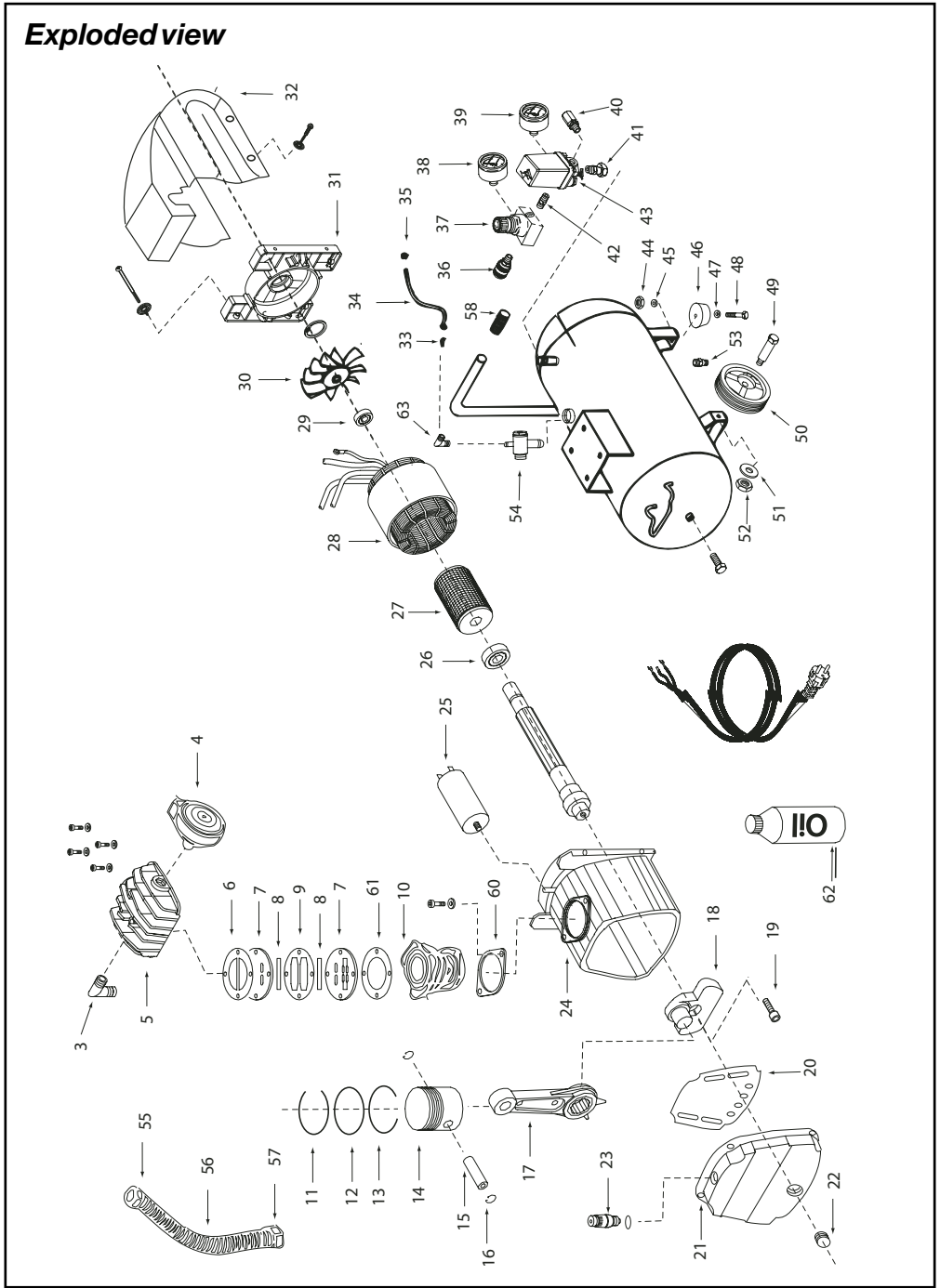
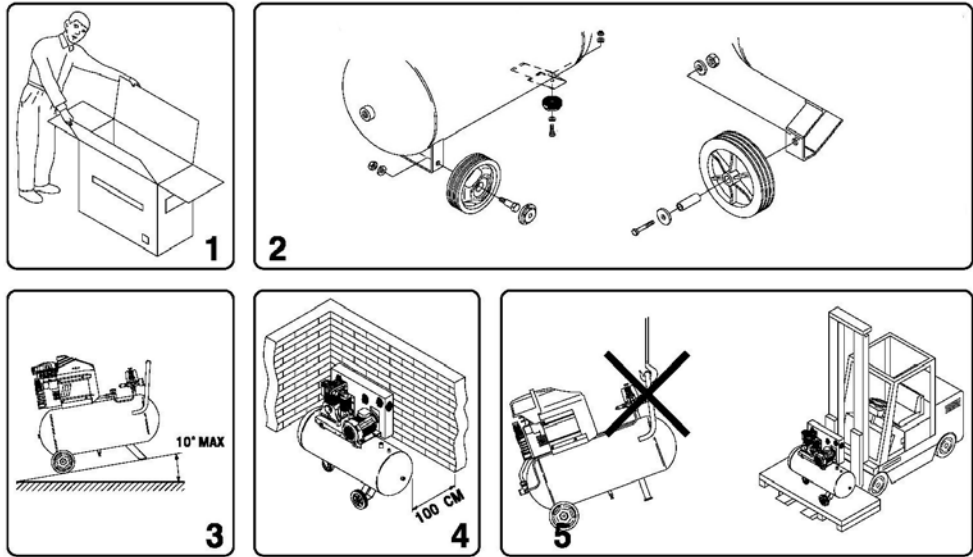
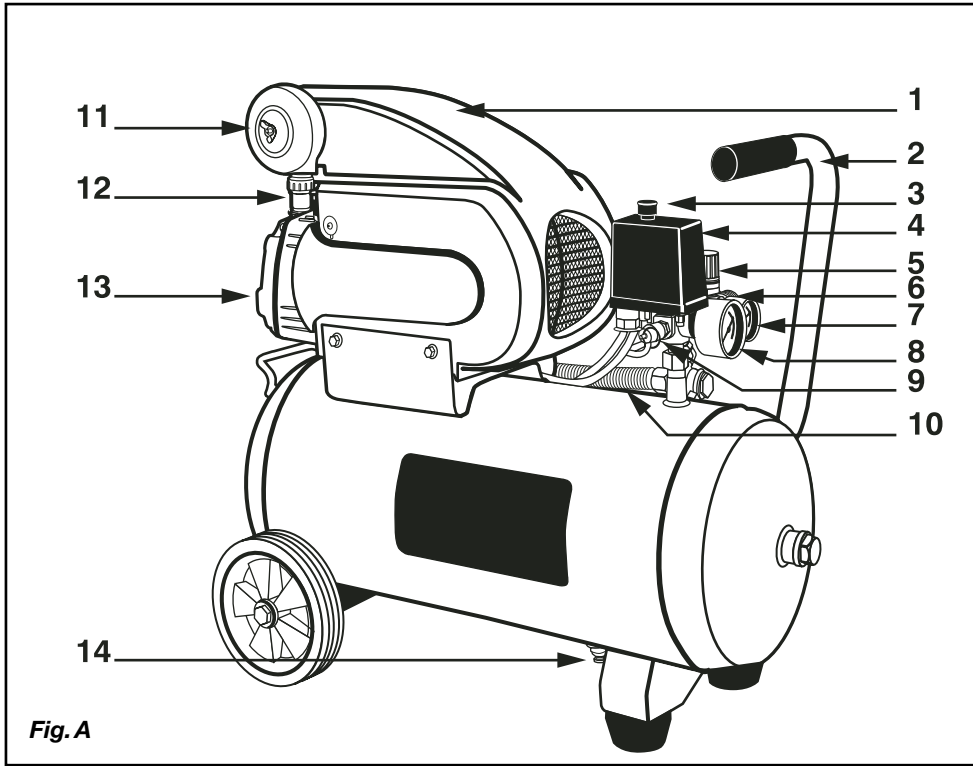
JUST A PERFECT TOOL

Art. no. CRM1027  
**FCO-1524**



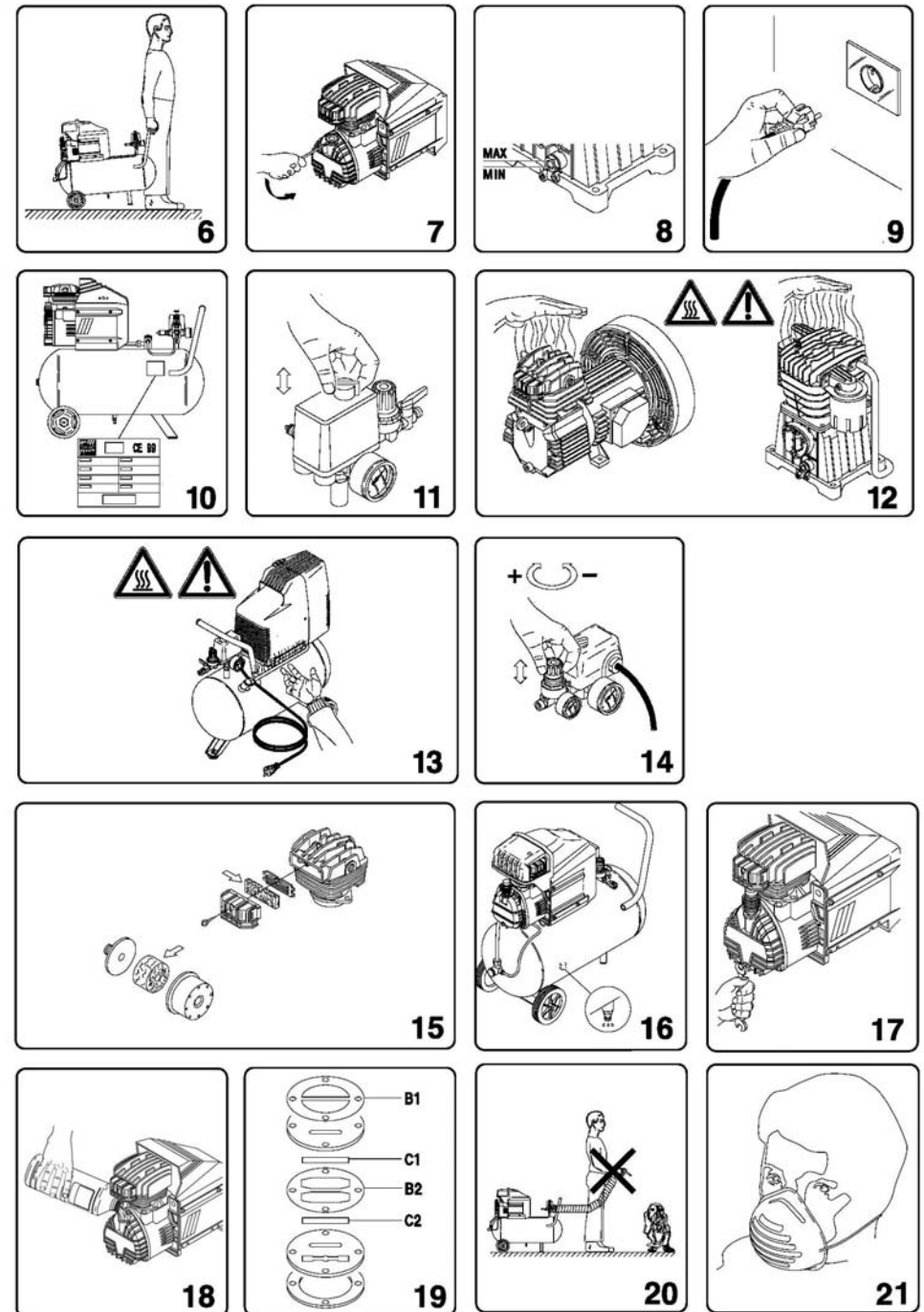
<b>GB</b>	USERS MANUAL	04
<b>D</b>	GEBRAUCHSANWEISUNG	12
<b>NL</b>	GEBRUIKSAANWIJZING	21
<b>F</b>	MODE D'EMPLOI	29
<b>E</b>	MANUAL DE INSTRUCCIONES	37
<b>P</b>	MANUAL DE INSTRUÇÕES	45
<b>I</b>	MANUALE UTILIZZATI	53
<b>S</b>	BRUKSANVISNING	61
<b>FIN</b>	KÄYTTÖOHJE	69
<b>N</b>	BRUKSANVISNING	76
<b>DK</b>	BRUGERVEJLEDNING	84





## Spare parts list FCO-1524

Ferm no.	Description	Position no.
700473	Knee coupling	3
700453	Air filter	4
700474	Cylinder head	5
700481	Gasket set	6,9,60,61
700449	Valve assembly	7(2x),8(2x),9
700482	Cylinder	10
700483	Piston rings (set)	11 till 13
700484	Piston complete	14,15,16(2x)
700485	Connecting rod	17
700487	Crank	18
700486	Carter gasket	20
700452	Carter cover	21
700475	Oil level indicator	22
700476	Oil filling cap	23
800025	Capacitor 25 uf	25
806204	Bearing 6204 zz	26
700488	Stator	28
806202	Bearing 6202 zz	29
700477	Fan	30
700451	Plastic cover	32
700461	Unloading pipe	33 till 35
205254	Quick coupler	36
208029	Reduce valve	37
700454	Reduce valve + manometer	36,37,38,42
CRA1005	Manometer 1/8" back	38
CRA1003	Manometer 1/4" backside	39
205915	Safety valve 1/4	40
700455	Automatic pressure switch	41+43
205200	Double coupling 1/4'	42
700458	Rubber foot	44 till 48
700459	Wheel complete	49 till 52
206292	Drain tap 3/8"	53
700479	Non-return valve	54, 63
700582	Pressure pipe complete	55, 56, 57
700480	Handle cover	58
700489	Bottle with oil (250ml)	62



# COMPRESSOR OIL-BASED FCO-1524

The numbers in the following text correspond with the pitcures at page 2 - 3.



Carefully read this manual before using the machine. Make sure that you know how the machine functions and how to operate it. Maintain the machine in accordance with the instructions to make sure it functions properly. Keep this manual and the enclosed documentation with the machine.

## Contents

1. Machine details
2. Safety instructions
3. Use
4. Faults
5. Maintenance

## 1. MACHINE DETAILS

### Technical specifications

Voltage	230 V~
Frequency	50 Hz
Capacity	1.5 HP
Idling speed	2800/min
IP Class	IP 33
Tank contents	24litre
Air intake	160l/min
Max. outlet pressure	8.0 Bar
Weight	27.15 kg
Sound power level	91.0 dB(A)

The value of the noise level may rise from 1 to 10 dB(A) as a function of the environment in which the compressor will be installed.

### Product information

#### Fig. 1

1. Cover
2. Handle
3. Switch
4. Automatic stop
5. Pressure regulator
6. Quick coupler (outlet)
7. Pressure gauge (pressure regulator)
8. Pressure gauge (tank)
9. Safety valve
10. Pressure pipe

11. Air filter
12. Oil cap
13. Sump
14. Drain cock

## 2. SAFETY INSTRUCTIONS

### Explanation of symbols

The following symbols are used in these instructions for use:



*Read the instructions.*



*In accordance with essential applicable safety standards of European directives.*



*Denotes risk of personal injury, loss of life or damage to the tool in case of non-observance of the instructions in this manual.*



*Risk of electric shock.*



*Remove the plug from the mains*



*Attention: the compressor could start automatically in case of a black-out and subsequent reset*



*Caution: the compressor contains some parts which might reach high temperatures*



*Wear ear protection.*



*Sound power level*



*Faulty and/or discarded electrical or electronic apparatus have to be collected at the appropriate recycling locations.*

### Special safety instructions

- For proper operation of the machine with a full continuous load under maximum operating pressure, please make sure that the temperature of the working environment in an enclosed area is not more than +25°C.
- It is recommended to use the compressor with a maximum operation of 70% in one hour under full load, to allow for proper operation of the product over time.

- Check that the tank is fully decompressed before connections with the tank are unscrewed.
- It is prohibited to make holes in, or welds to, or purposely to distort the compressed air tank.
- Do not perform any actions on the compressor without first having taken the plug out of the plug socket.
- Do not aim water jets or jets of flammable liquids at the compressor.
- Do not place flammable objects near the compressor.
- Switch the pressure regulator to the "0" position (OFF = uit) during dwell time.
- Never aim the air jet at persons or animals (fig. 20).
- Do not transport the compressor with the tank pressurised.
- N.B.: some parts of the compressor such as the head and the feed-through pipes may reach high temperatures. Do not touch these parts to avoid burns (fig. 12-13).
- Transport the compressor by lifting it or by using the special grips or handles (fig. 5-6).
- Children and animals should be kept far away from the area of operation of the machine.
- If you use the compressor to spray paint:
  - a) *Do not work in enclosed spaces or near naked flames.*
  - b) *Make sure that the environment in which you will be working has dedicated ventilation.*
  - c) *Protect your nose and mouth with a dedicated mask (fig. 21).*
- Do not use the compressor when the electrical cable or the plug is damaged, and instruct an authorised Support Service to replace them with an original part.
- When the compressor is placed on a surface higher than the floor, it should be secured to prevent it from falling down during operation.
- Do not put objects or your hands in the protective covers to avoid physical damage and damage to the compressor.
- Do not use the compressor as a blunt instrument against persons, objects or animals in order to prevent serious damage.
- If the compressor is no longer in use, always take the plug out of the plug socket.
- Always make sure that compressed-air hoses are used for compressed air and which are characterised by a maximum pressure adjusted to that of the compressor. Do not try to repair the hose if it is damaged.

### Electrical safety

#### Earthing regulations

This compressor has to be earthed while in use in order to protect the operator against electrical shocks. The compressor is provided with a two-core cable plus an earth. The electrical connection has to be made by a qualified technician. We recommend never disassembling the compressor and neither making any other connections into the pressure regulator. Repairs should be carried out by authorised Support Services or by other qualified centres.



*Never forget that the earthing core is the green or the yellow/green wire. Never connect this green wire to a terminal under load.*

Before replacing the plug of the feed, make sure that the earth cable is connected. If in doubt, please call in a qualified electrician and have the earthing checked.

## CE KONFORMITETSERKLÆRING (DK)

Vi erklærer at under almindeligt ansvar, at dette produkt er i overensstemmelse med følgende normer eller normative dokumenter:

**prEN1012-1, prEN1012-2, EN60204-1, EN-12100, ISO5388, EN55014-2, EN61000-3-2, EN61000-3-3**

i overensstemmelse med direktiverne:

**98/37/EØF, 73/23/EØF, 89/336/EØF, 87/404/EØF**

fran 01-01-2006

**ZWOLLEN**

W. Kamphof  
Quality department

Det er vores hensigt til stadighed at forbedre vores produkter, og vi forbeholder os derfor til enhver tid retten til at ændre produktspecifikationerne uden forudgående varsel.

**Ferm BV • Lingenstraat 6 • 8028 PM Zwolle • Holland**

- Fyld olie på via det øverste hul på beholderlåget (fig. 18) indtil måleinstrumentets indikation på pakningen (fig. 8) er nået. Check pumpensystemets olieniveaet hver uge, og fyld om nødvendigt.

For drift under omgivende temperature på of  $-5^{\circ}\text{C}$  til  $+35^{\circ}\text{C}$  anvend syntetisk olie "SAE 10W30". Den syntetiske olie har den fordel at den ikke mister dens karakteristisk, hverken om sommeren eller om vinteren.



*Du bør ikke hælde brugt olie ud i afløbet eller naturen.*

Overhold venligst nedenstående tabel, ved udskiftning af olie.

Olietype	Driftstimer
Kvalitetsoolie SAE 10W30	100 eller 6 måneder

### Fejl

Skulle en fejl opstå, f.eks. pga. slidtage af en enhed, kontakt venligst serviceadressen på garantibeviset. På bagsiden af denne manual finder du en tegning med alle dele, der kan bestilles.

### Miljø

For at undgå transportbeskadigelse leveres maskinen i en solid emballage. Emballagen er så vidt muligt lavet af genbrugsmateriale. Genbrug derfor emballagen.



*Defekte og/eller kasserede elektriske eller elektroniske maskiner skal afleveres på en genbrugsplads.*

### Garanti

Garantibetingelser er beskrevet på det separat vedlagte garantibevis.

### Extension cables

Only use an extension cable with a plug and earth, so never use damaged or flattened extension cables. Check whether the extension cable is in a good condition. For this device the extension cable should have a diameter of at least  $2.5\text{ mm}^2$  (this applies to a maximum length of 20 metres). Always unroll extension cables fully before using them.

### Electrical connection

Always check whether the input voltage of the motor corresponds to the mains voltage indicated on the specification plate. The compressors are supplied with an electrical cable and a two-pole plug + earth. It is important to connect the compressor with an earthed plug socket. (fig. 9)



*Never use the earth-wire instead of the neutral (0-wire). The earthing should take place in accordance with accident prevention regulations (EN 60204).*

## 3. USE



*For homehold use only*

**NB:** The information you will find in this manual has been written to assist the operator in the use and maintenance of the compressor. Some illustrations in this manual show details which may differ from those of your compressor.

### Installation

After having taken the compressor out of its packaging (fig. 1) and having checked that it is in perfect condition, and having noted that no damage occurred during transport, the following acts should be performed. If not yet fitted, fit the rubber feet on the tank according to the instructions represented in fig. 2. Place the compressor on a flat surface or at a maximum slope of  $10^{\circ}$  (fig.3), in a well ventilated area, protected against atmospheric factors and not in explosive surroundings. If the surface area is sloping and smooth, make sure that the compressor will not move when in operation. If the surface area is a board or a shelf of a bookcase, just make sure that they cannot fall down by securing them properly. For proper ventilation and effective cooling, it is important that the compressor is positioned at least 100 cm from the wall (fig. 4).



*Make sure that the compressor is transported in the right way, do not turn it upside down and don't lift it with hooks or ropes (fig. 5-6).*

### Important! Before commissioning

Remove the plastic cap from the sump lid. Fill the sump with the oil supplied (250 ml). The gauge at the bottom of the sump indicates the oil level: this should now be level with the red dot (fig. 7 and 8).



### Starting up

- Check whether the mains voltage corresponds to that indicated on the electrical specification plate (fig. 10), the permitted tolerance range should be within 5%.
- Press the switch situated on the upper part into the "0" position according to the pressure regulator type fitted on the device (fig. 11).
- Put the plug in the plug socket (fig. 9) and start the compressor up by putting the switch of the pressure regulator in the "I" position. The operation of the compressor is fully automatic. The pressure regulator will stop the compressor when the maximum value has been reached and start it up when the pressure drops below the minimum value. Normally the difference in pressure is approx. 2 Bar/29 psi between the maximum and the minimum value. For instance - The compressor will stop when it reaches 8 Bar (116 psi) (this is the maximum operating pressure) and will start up automatically when the pressure within the tank has dropped to 6 Bar (87 psi).



*The head/cylinder/transmission pipe assembly may reach high temperatures, so take care when working close to these parts and do not touch them to avoid burns (fig. 12 - 13).*

### Adjusting the operating pressure

#### Fig. 14

It is not necessary continuously to use the maximum operating pressure, the compressed-air tools often require less pressure. With regard to compressors supplied with a pressure reduction valve it is necessary to set the operating pressure properly. It is possible to set the operating pressure by using the turning knob on the reduction valve.

- By turning clockwise, the pressure will be increased.
- By turning anti-clockwise, the pressure will be reduced.

The set pressure can be locked by turning the ring under the turning knob in the opposite direction from the turning knob thereby fixing the turning knob. The set pressure is visible on the manometer of the reduction valve.

## 4. FAULTS

### Air loss

- May be caused by a poor seal of a connection.
  - *Check all connections by wetting them with soap and water.*

### The compressor runs but does not compress

#### Fig. 19

- May be caused by the valves (C-C2) or a gasket (B1-B2) being broken.
  - *Replace the damaged part.*

### The compressor will not start

If the compressor is difficult to start, check:

- whether the voltage of the mains corresponds to that on the specification plate (fig. 10)

### Kompressoren vil ikke slukke

Hvis kompressoren ikke slukkes når det maksimale tryk er opnået, vil sikkerhedsventilern på tanken aktiveres. Det er nødvendigt at kontakte den nærmeste autoriserede support servicevirksomhed for reparation.

## 5. VEDLIGEHOLDELSE

### Vedligeholdelse



*Sørg for, at stikket til maskinen er taget ud af stikkontakten, når der skal udføres vedligeholdelse på motoren.*

Ferm maskiner er blevet konstrueret, så de kan arbejde i længere perioder med et minimum af vedligeholdelse. Korrekt vedligeholdelse og rengøring af maskinen er en forudsætning for lang tids tilfredsstillende brug. Før enhver form for vedligeholdelse foretages, sørg altid for at:

- Universalknappen er står "0" positionen.
- Tryk regulatoren og kontakterne på strømfordelingstavlen er slukket i "0" positionen.
- Lufttanken er helt uden tryk.

### Rengøring

Kappen omkring motoren skal rengøres med en blød klud, helst hver gang maskinen har været brugt. Ventilationsrillerne skal holdes fri for støv og snavs. Hvis snavs ikke vil gå af, bruges en blød klud vredet op i sæbevand. Der må ikke bruges opløsningsmidler som f.eks. benzin, sprit, salmiakspiritus o.l. Sådanne opløsningsmidler kan beskadige dele af plastic.

### Smøring

Det er anbefalet at skille sugefiltret ad hver 50ende driftstime, og rengøre filterelementet ved at puste det ved lufttryk (fig. 15). Det er anbefalet at filterelementet udskiftes mindst to gange hvert år hvis kompressoren arbejder i et rent miljø; oftere hvis arbejdsmiljøet er støvet. Kompressoren udvikler kondensvand som samles i tanken. Det er nødvendigt at fjerne kondensvand i tanken mindst én gang om ugen, ved at åbne aftapningshanen (fig. 16) under tanken. Vær forsigtig når trykluft er i flasken, da vand kan komme ud under stort tryk. Anbefalet tryk maks. 1-2 Bar.



*Kondensvand fra den oliesmurte kompressor bør ikke hældes ud i afløbe, t eller hældes ud i naturen, da det indeholder olie.*

### Udskiftning/påfyldning af olie

Kompressoren er leveret med syntetisk olie "SAE 10W30". Det er anbefalet at udskifte alt pumpesystemets olie inden for de første 100 driftstimer.

- Skrue afløbsskruen (pakningen) af på beholderlåget, lad alt olien løbe ud og skrue skruen på igen (fig. 17).



- Tryk på knappen placeret på øverste del ind til "0" position, efter typen på trykregulatoren monteret på enheden (fig. 11).
- Put stikket i stikkontakten (fig. 9), og start kompressoren ved at sætte knappen på trykregulatoren i "1" position. Driften af kompressoren er totalt automatisk. Trykregulatoren vil stoppe kompressoren når den maksimale værdi er opnået, og starte op når trykket falder til under minimumværdien. Normalt er forskellen i tryk ca. 2 Bar/29 psi mellem maksimum og minimum værdi. F.eks. - Kompressoren vil stoppe når den opnår 8 Bar (116 psi) (dette er det maksimale tryk ved drift), og vil automatisk starte op når trykket i tanken er faldet til 6 Bar (87 psi).



*Hovedet/cylinder/transmissionsrør kan opnå høje temperaturer, så hver forsigtig når der arbejdes tæt på disse dele, og for at forebygge forbrændinger (fig. 12-13) bør du ikke komme i kontakt med dem. «*

#### Juster driftstrykket

**Fig. 14**

Det er ikke nødvendigt at anvende det maksimale driftstryk konstant, trykluftsværktøjet kræver ofte mindre tryk. Ved kompressorer leveret med en trykreducerende ventil, er det nødvendigt at indstille driftstrykket korrekt. Det er muligt at indstille driftstrykket ved at anvende drejeknappen på reductionsventilen.

- Ved at dreje denne med uret, vil trykket øges.
- Ved at dreje denne mod uret, vil trykket mindskes.

Det indstillede tryk kan låses ved at dreje ringen under drejeknappen i den modsatte retning af drejeknappen, herved fastlåses drejeknappen. Det indstillede tryk er synligt på trykmåleren på reduktionsventilen.

## 4. FEJL

#### Lufttab

- Kan være forårsaget af en dårlig tætning af en forbindelse.
  - *Check alle forbindelser ved at væde dem med sæbe og vand.*

#### Kompressoren køre men komprimere ikke

**Fig. 19**

- Kan være forårsaget af ventilerne (C-C2) eller en pakning (B1-B2) som er ødelagt.
  - *Udskift de ødelagte dele.*

#### Kompressoren vil ikke starte

Hvis kompressoren er svær at starte, check:

- Om hovedspændingen stemmer overens med den på typepladen (fig. 10)
- Om elektriske forlængerledninger anvendes med en kernefejl eller længdefejl.
- Om arbejdsmiljøet for for koldt (under 0°C).
- Om der er olie i beholderen for at garantere smørrelse (fig. 8)
- Om der strømforstyrning (stik korrekt forbundet, magneto termiske sikringer ikke er ødelagte).

- whether electrical extension cables are being used with a faulty core or length.
- whether the operating environment is too cold (below 0°C).
- whether there is oil in the sump to guarantee lubrication (fig. 8)
- whether there is electricity supply (plug properly connected, magneto-thermal fuses not broken).

#### The compressor does not shut off

If the compressor does not shut off when the maximum pressure has been reached, the safety valve of the tank will be activated. It is necessary to contact the nearest authorised Support Service for the repair.

## 5. MAINTENANCE

#### Maintenance



*Make sure that the plug is removed from the mains when carrying out maintenance work on the motor.*

The Ferm machines have been designed to operate over a long period of time with a minimum of maintenance. Continuous satisfactory operation depends upon proper machine care and regular cleaning. Before interfering in any way whatsoever with the compressor, please make sure that:

- The general line switch is in the "0" position.
- The pressure regulator and the switches on the switch board are switched off in the "0" position.
- The air tank is fully decompressed.

#### Cleaning

Regularly clean the machine housing with a soft cloth, preferably after each use. Keep the ventilation slots free from dust and dirt.

If the dirt does not come off use a soft cloth moistened with soapy water. Never use solvents such as petrol, alcohol, ammonia water, etc. These solvents may damage the plastic parts.

#### Lubrication

It is recommended to disassemble the suction filter every 50 operating hours and to clean the filter element by blowing it with compressed air (fig. 15). It is recommended that the filter element is replaced at least once a year if the compressor is working in a clean environment; more often if the environment in which the compressor is situated is dusty. The compressor makes condensed water which collects in the tank. It is necessary to remove the condensed water in the tank at least once a week by opening the drain cock (fig. 16) under the tank. Take care when compressed air is in the bottle because the water can come out with some force. Recommended pressure max. 1-2 Bar.



*The condensed water of the oil lubricated compressor should not be disposed of in the sewers or be disposed of in the environment because it contains oil.*

### Replacing/topping up oil

The compressor has been supplied with synthetic oil "SAE 10W30". It is recommended to fully replace the oil of the pump system within the first 100 operating hours.

- Unscrew the drain plug (gauge) on the sump lid, let all the oil run out and screw back the plug (fig. 17).
- Fill the oil via the upper hole of the sump lid (fig. 18) until the level indicated on the gauge (fig. 8) has been reached.

Check the oil level of the pump system every week and if necessary top up. For operation under ambient temperatures of -5°C to +35°C use synthetic oil "SAE 10W30". The synthetic oil has the advantage that it does not lose its characteristics, either in summer or in winter periods.



*You should not dispose of the used oil in the sewer or in the environment.*

For replacement of oil the table below should be adhered to.

Oil type	Operating hours
Multigrade oil SAE 10W30	100 or 6 months

### Faults

Should a fault occur, e.g. after wear of a part, please contact the service address on the warranty card. In the back of this manual you find an exploded view showing the parts that can be ordered.

### Environment

To prevent damage during transport, the appliance is delivered in a solid packaging which consists largely of reusable material. Therefore please make use of options for recycling the packaging.



Faulty and/or discarded electrical or electronic apparatus have to be collected at the appropriate recycling locations.

### Warranty

The warranty conditions can be found on the separately enclosed warranty card.

Ved anvendelse sammen med dette apparat, skal ledningen have et tværsnit på mindst 2.5 mm<sup>2</sup> (dette passer med en maksimal længde på 20 meter). Rul altid forlængerledninger helt ud før du anvender dem.

### Elektriskforbindelse

Sørg altid for om den indgående spænding til motoren stemmer overens med hovedspændingen vist på typepladen. Kompressoren er udstyret med et elektrisk kabel og et to-polsstik + jordforbindelse. Det er vigtigt at tilslutte kompressoren til en jordbunden stikkontakt. (Fig. 9)



*Anvend aldrig jordforbindelsen istedet for den neutrale (0-ledning). Jordforbindelse bør kun anvendes i overensstemmelse med regler for uheldsforbyggelse*

## 3. ANVENDELSE



*Kun til anvendelse i hjemmet*

**Bemærk:** Informationen i denne vejledning er skrevet for at assistere brugeren i betjening og vedligeholdelse af kompressoren. Nogle illustrationer i denne vejledning viser detaljer som kan afvige fra dem på deres kompressor.

### Installation

Efter at have udpakket kompressoren (fig. 1) og have checket at den er i god stand og noteret at ingen skade er sket under transport, bør følgende udføres. Hvis endnu ikke monteret, monter gummihætten på tanken efter vejledningen fig. 2. Placer kompressoren på en flad overflade eller på et underlag med maksimum 10° hældning (fig.3), i et godt ventileret rum, beskyttet mod atmosfæriske faktorer og ikke i spængfarlige omgivelser. Hvis overfladeområdet er hældende og glat, sørg for at kompressoren ikke bevæger sig under drift. Hvis overfladen er et bræt eller en hylde på en reol, sørg for at den ikke kan falde ned ved at sikre den godt. For god ventilation og effektiv afkøling, er det vigtigt at kompressoren er placeret mindst 100 cm fra væggen (fig. 4).



*Sørg for at kompressoren er korrekt transporteret, vend den ikke på hovedet og løft den ikke med kroge og reb (fig. 5-6).*

### Vigtigt! Før drift

Fjern plastklåget fra samledækslet. Fyld beholderen med den leverede olie (250 ml). Måleinstrumentet i bunden af beholderen indikerer olieniveauet: Dette bør nu være med niveau med den røde prik (fig. 7 og 8).

### Start

- Check om hovedspændingen stemmer overens med den som er indikeret på den elektriske typeplade (fig. 10), den tilladte tolerance rækkevidde bør være inden for 5%.

- Sørg for at tanken er komplet dekomprimeret før forbindelser til tanken skrues af.
- Det er forbudt at lave huller i, svejse i, eller med vilje forvrænge trykluftstanken.
- Foretag intet ved trykluftstanken uden at tage stikket ud af stikkontakten.
- Peg ikke vandstråler eller stråler af brandbare flydende materialer mod kompressoren.
- Stil ikke brandbare materialer i nærheden af kompressoren.
- Indstil trykregulatoren til "0" position (OFF=uit) under strømfordelers mætningstid.
- Peg aldrig luftpistolen mod personer eller dyr (fig. 20).
- Transportér ikke kompressoren med en tank under tryk.
- Bemærk: Nogle kompressordele såsom hovedet og rør kan opnå høje temperature. Kom ikke i kontakt med disse dele for at forebygge forbrændinger (fig. 12-13).
- Transportér kompressoren ved at løfte den, eller ved at anvende det speciale håndtag (fig. 5-6).
- Børn og dyr bør holdes på lang afstand af maskinens driftsområdet
- Hvis du anvender kompressoren til spray-maling
  - a) *Arbejd da ikke i et aflukket rum eller i nærheden af åben ild.*
  - b) *Sørg for at arbejdsmiljøet du arbejder i har egnet ventilation.*
  - c) *Beskyt din næse og øjne med en egnet maske (fig. 21).*
- Anvend ikke kompressoren når det elektriske kabel eller stikket er beskadiget, og henvis til en autoriseret support servicevirksomhed for at udskifte dem med originale dele.
- Når kompressoren er placeret på en overflade højere end gulvet, bør den sikres for at forhindre den i at vælte under drift.
- Stik ikke genstande eller dine hænder ind i de beskyttende skærme for at forhindre fysisk skade og beskadigelse af ompressoren.
- For at forhindre alvorlige skader bør Anvend ikke kompressoren som et grovt instrument mod personer, genstande eller dyr for at forhindre alvorlige skader.
- Tag altid stikket ud af stikkontakten, hvis kompressoren ikke længere anvendes.
- Sørg altid for at trykluftsslanger er anvendt til trykluft, hvilket er karakteriseret af et maksimum tryk som stemmer overens med kompressoren. Forsøg ikke at reparerer slangen hvis denne er beskadiget.

## Elektrisk sikkerhed

### Regler ang. jordforbindelse

Denne kompressor skal have en jordforbindelse for at beskytte brugeren mod elektriskchok. Kompressoren er udstyret med et tokernet kabel plus en jordforbindelse. Den elektriske forbindelse skal foretages af en kvalificeret tekniker. Vi anbefaler at kompressoren aldrig skilles ad, og at der ikke foretages nogen anden form for forbindelse inde i trykregulatoren. Reparationer bør kun udføres af autoriseret support service eller af anden kvalificerede centre.



*Glem aldrig at jordforbindelseskernen er den grønne eller den gul/grønne ledningstråd. Tilslut aldrig denne grønne ledningstråd til en terminal under drift.*

Sørg for at jordforbindelsen er tilsluttet, før stikket på tilførslen udskiftes. Hvis du skulle være i tvivl, bør du ringe til en elektriker og få jordforbindelsen checket efter.

### Forlængerledninger

Anvend kun forlængerledninger med stik og jordforbindelse, anvend derfor aldrig beskadigede eller trykkede forlængerledninger. Check om forlængerledningen er i god stand.

## CE DECLARATION OF CONFORMITY (GB)

We declare under our sole responsibility that this product conforms with the following standards or standardised documents:

**prEN1012-1, prEN1012-2, EN60204-1, EN-12100, ISO5388, EN55014-2, EN61000-3-2, EN61000-3-3**

in accordance with regulations:

**98/37/EEC, 73/23/EEC, 89/336/EEC, 87/404/EEC, 2000/14/EEC**

from 01-01-2006

**ZWOLLENL**

W. Kamphof  
Quality department

It is our policy to continuously improve our products and we therefore reserve the right to change the product specification without prior notice.

**Ferm BV • Lingenstraat 6 • 8028 PM Zwolle • The Netherlands**

# KOMPRESSOR ÖLGESCHMIERT FCO-1524

D

Die Nummern im nachfolgenden text korrespondieren mit den Abbildungen auf Seite 2 - 3.



Lesen Sie diese Bedienungsanleitung aufmerksam, bevor Sie die Maschine in Betrieb nehmen. Machen Sie sich vertraut mit der Funktionsweise und der Bedienung. Warten Sie die Maschine entsprechend den Anweisungen, damit sie immer einwandfrei funktioniert. Die Bedienungsanleitung und die dazugehörige Dokumentation müssen in der Nähe der Maschine aufbewahrt werden.

## Inhalt

1. Gerätedaten
2. Sicherheitsvorschriften
3. Benutzung
4. Störungen
5. Instandhaltung

## 1. GERÄTEDATEN

### Technische Daten

Spannung	230 V~
Frequenz	50 Hz
Leistung	1.5 PS
Leerlaufdrehzahl	2800/min
IP Klasse	IP 33
Kesselinhalt	24 Liter
Ansaugleistung	160 l/min
Maximaldruck	8.0 bar
Gewicht	27.15 kg
Außengeräusch	91.0 dB (A)

Die Kessel der Kompressoren sind für den europäischen Markt in Übereinstimmung mit Richtlinie 87/404/EWG hergestellt. Die Kompressoren sind für den europäischen Markt in Übereinstimmung mit Richtlinie 98/37/EWG hergestellt. Der Geräuschpegel kann abhängig von der Umgebung, in der der Kompressor aufgestellt wird, von 1 bis 10 dB (A) ansteigen.

### Product information

#### Abb. 1

1. Abdeckung
2. Griff
3. Schalter
4. Druckwächter
5. Druckregler
6. Schnellkopplung (Auslass)

11. Luftfilter
12. Oliekapsel
13. Bundkar
14. Dränerørshane

## 2. SIKKERHEDSREGLER

### Forklaring til symboler

I denne brugsanvisning anvendes de følgende piktogrammer:



Læs brugsanvisningerne.



I overensstemmelse med sikkerhedskravene i relevante europæiske direktiver.



Angiver risiko for legemensbe skadigelse, livsfare eller maskinskade, hvis instruktionerne i denne brugsanvisning tilsidesættes.



Angiver elektrisk spænding.



Fjern stikket fra kontakten.



Pas på: kompressoren kan starte automatisk igen i tilfælde af black-out med efterfølgende genoptagelse af den elektriske spænding



Pas på: kompressoren indeholder dele, der kan nå meget høje temperaturer



Brug høreværn.



Lydeffektniveau



Defekte og/eller kasserede elektriske eller elektroniske maskiner skal afleveres på en genbrugsplads.

### Særlige sikkerhedsregler

- Sørg venligst for at temperaturen i arbejdsmiljøet, i et aflukket rum, ikke er mere end +25°C, for at maskinen kan fungere korrekt med komplet kontinuerlig belastning under maksimal driftstryk.
- Det er anbefalet at anvende kompressoren med en maksimum drift på 70% i en time på fuld belastning, for at få en korrekt produktfunktion på længere sigt.

## OLIEBASERET KOMPRESSOR FCO-1524

Tallene i den følgende tekst korresponderer med afbildningen på side 2 - 3.



Læs denne brugsanvisning godt igennem før maskinen tages i brug. Sørg for at De kender maskinens funktion og betjening. Vedligehold maskinen i følge instruktionerne, for at maskinen altid kan fungere optimalt. Bevar denne brugsanvisning og den vedlagte dokumentation til maskinen.

### Indhold

1. Maskininformation
2. Sikkerhedsregler
3. Anvendelse
4. Fejl
5. Vedligeholdelse

## 1. MASKININFORMATION

### Tekniske specifikationer

Spænding	230 V~
Frekvens	50 Hz
Kapacitet	1.5 pK
Hastighed i tomgang	2800/min
IP Klasse	IP 33
Rumindhold i tank	24 liter
Luftoptagelse	160 l/min
Maksimum udløbstryk	8.0 Bar
Vægt	27.15 kg
Lydeffektniveau	91.0 dB(A)

Værdien af støjniveauet kan øges fra 1 til 10 dB(A) afhængig af det miljø kompressoren installeres i.

### Produktinformation

#### Fig. 1

1. Omslag
2. Håndtag
3. Kontakt
4. Automatisk stop
5. Trykregulator
6. Hurtig kobling (stikkontakt)
7. Trykmåler (trykregulator)
8. Trykmåler (tank)
9. Sikkerhedsventil
10. Trykrør

7. Manometer (Druckregler)
8. Manometer (Kessel)
9. Sicherheitsventil
10. Druckleitung
11. Luftfilter
12. Öltankdeckel
13. Ölwanne
14. Ablasshahn

## 2. SICHERHEITSVORSCHRIFTEN

### Erklärung der Symbole

In dieser Anleitung und/oder am Gerät werden folgende Symbole verwendet:



Anleitung durchlesen.



Entspricht grundlegenden anwendbaren Sicherheitsnormen der europäischen Richtlinien.



Verweist auf Verletzungsgefahr, Gefahr für Leben und mögliche Beschädigung der Maschine, falls die Anweisungen in dieser Betriebsanleitung nicht befolgt werden.



Deutet das Vorhandensein elektrischer Spannung an.



Stecker aus der Netzsteckdose ziehen



Achtung! Der Kompressor könnte bei einem Stromausfall nach rückkehr des Stroms automatisch neustarten



Gefährdung durch hohe temperaturen. Achtung! Der Kompressor enthält Bauteile, die sich stark erhitzen können.



Gehörschutz tragen.



Außengeräusch



Schadhafte und/oder entsorgte elektrische oder elektronische Geräte müssen an den dafür vorgesehenen Recycling-Stellen abgegeben werden.

### Spezielle Sicherheitsvorschriften

- Zur Gewährleistung der ordnungsgemäßen Funktion des Geräts bei anhaltender vollständiger Luftfüllung sicherstellen, dass die Umgebungstemperatur in geschlossener Arbeitsumgebung nicht höher als +25 °C ist.
- Es empfiehlt sich, den Kompressor in einer Stunde bei maximaler Füllung mit einer maximalen Leistung von 70 % zu verwenden, um eine gute Funktion des Geräts innerhalb dieser Zeit zu gewährleisten.
- Es dürfen keine Verbindungen losgeschraubt werden, wenn der Kessel unter Druck steht. Immer sicherstellen, dass der Kessel geleert ist.
- Niemals Löcher oder Schweißnähte am Kessel anbringen oder den Druckluftkessel verformen.
- Vor dem Ausführen von Handlungen am Kompressor immer erst den Stecker aus der Steckdose ziehen.
- Kein Wasser oder entflammbare Flüssigkeiten auf den Kompressor sprühen.
- In der Nähe des Kompressors dürfen sich keine entflammbaren Objekte befinden.
- Wenn der Kompressor angehalten ist, den Druckwächter auf die Stellung „0“ (OFF) schalten.
- Den Luftstrahl nicht auf Personen oder Tiere richten (Abb. 20).
- Den Kompressor nicht transportieren, wenn der Kessel unter Druck steht.
- Vorsicht: Einige Kompressorteile, wie z. B. der Kopf und die Leitungen, können hohe Temperaturen erreichen. Um Brandwunden zu vermeiden, diese Teile nicht berühren (Abb. 12 und 13).
- Zum Transport des Kompressors das Gerät anheben oder die speziellen Transportgriffe verwenden (Abb. 5 und 6).
- Kinder und Tiere weit vom Funktionsbereich des Geräts entfernt halten.
- Wenn Sie den Kompressor für Anstricharbeiten verwenden:
  - a) *Nicht in geschlossenen Umgebungen oder in der Nähe von offenem Feuer arbeiten.*
  - b) *Sicherstellen, dass die Arbeitsumgebung mit entsprechender Ventilation ausgestattet ist.*
  - c) *Nase und Mund mit einer entsprechenden Maske schützen (Abb. 21).*
- Wenn das Stromkabel oder der Stecker beschädigt ist, den Kompressor nicht gebrauchen und das beschädigte Teil bei einem autorisierten Servicezentrum gegen ein Originalteil austauschen lassen.
- Wenn der Kompressor auf einer Fläche oberhalb des Fußbodens aufgestellt wird, muss er festgesetzt werden, damit er während des Betriebs nicht fallen kann.
- Keine Objekte oder Hände durch die Schutzgitter stecken, um Verletzungen und Schäden am Kompressor zu vermeiden.
- Den Kompressor und das Zubehör nicht gegen Personen, Dinge oder Tiere richten, um schwere Schäden zu vermeiden.
- Bei Nichtverwendung des Kompressors immer den Stecker aus der Steckdose ziehen.
- Sicherstellen, dass immer Pneumatikleitungen für Druckluft verwendet werden, die für einen mit dem Kompressor übereinstimmenden Maximaldruck geeignet sind. Beschädigte Leitungen nicht versuchen zu reparieren.

### Elektrische Sicherheit

#### Erdungsvorschriften

Um den Bediener vor Stromschlägen zu schützen, muss der Kompressor vor Verwendung geerdet sein. Der Kompressor ist mit einem zweipoligen Kabel plus Erdleiter ausgerüstet.

## CE ERKLÄRUNG AV ANSVARSFORHOLD (N)

Vi erklærer at det er under vårt ansvar at dette produkt er i overensstemmelse med følgende standarder eller standard-dokumenter

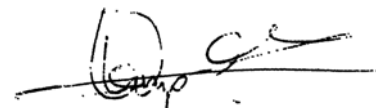
**prEN1012-1, prEN1012-2, EN60204-1, EN-12100, ISO5388, EN55014-2, EN61000-3-2, EN61000-3-3**

i samsvar med direktivene:

**98/37/EØF, 73/23/EØF, 89/336/EØF, 87/404/EØF**

frå 01-01-2006

**ZWOLLE NL**



W. Kamphof  
Kvalitetsavdelingen

Det er vår policy å stadig forbedre våre produkter, og derfor forbeholder vi oss retten til å forandre produktspesifikasjonene uten forutgående varsel.

**Ferm BV • Lingenstraat 6 • 8028 PM Zwolle • Nederland**



*Ikke hell ut brukt olje i avløpet eller ute i naturen.*

Følg tabellen nedenfor ved skifte av olje.

Oljetype	Driftstimer
Multigrade-olje SAE 10W30	100 eller 6 måneder

#### Feil

Hvis det oppstår feil som følge av for eksempel utslitte deler, skal du kontakte serviceadressen på garantikortet. Bakerst i denne bruksanvisningen finner du en splittegning som viser deler som kan bestilles.

#### Miljø

For å unngå transportskader leveres maskinen i solid emballasje. Emballasjen er i den grad dette er mulig fremstilt av resirkulerbart materiale. Benytt derfor anledningen til å resirkulere emballasjen.



*Defekte og/eller kasserte elektriske eller elektroniske apparater må avhendes ved egnete returpunkter.*

#### Garanti

Garantibetingelsene gjengis på det vedlagte, separate garantikortet.

Die elektrischen Verbindungen müssen von einem qualifizierten Techniker hergestellt werden. Wir empfehlen, den Kompressor nie zu demontieren und auch keine anderen Verbindungen im Druckwächter herzustellen. Alle Reparaturen dürfen ausschließlich von autorisierten Servicezentren oder anderen qualifizierten Reparaturzentren ausgeführt werden.



*Vergessen Sie nicht, dass die grüne oder gelbgrüne Ader der Erdleiter ist. Diese grüne Ader darf nie an eine Strom führende Klemme angeschlossen werden.*

Ehe der Stecker des Netzkabels ersetzt wird, muss sichergestellt sein, dass der Erdleiter angeschlossen ist. Wenden Sie sich bei Zweifeln an einen qualifizierten Elektriker und lassen Sie die Erdung überprüfen.

#### Verlängerungskabel

Es dürfen nur Verlängerungskabel mit Stecker und Erdung verwendet werden. Verwenden Sie nie beschädigte oder platt gedrückte Verlängerungskabel. Stellen Sie sicher, dass das Verlängerungskabel sich in einwandfreiem Zustand befindet. Bei Verwendung eines Verlängerungskabels muss sichergestellt werden, dass der Kabelquerschnitt dem Strombedarf des anzuschließenden Geräts entspricht. Ein zu dünnes Verlängerungskabel kann Spannungsverluste verursachen, was zu Leistungsverlusten und übermäßiger Erhitzung des Geräts führen kann. Für dieses Gerät muss der Querschnitt des Verlängerungskabels mindestens 2,5 mm<sup>2</sup> betragen (bei einer maximalen Länge von 20 Metern). Verlängerungskabel müssen vor Gebrauch immer völlig abgerollt werden.



*Vermeiden Sie alle Situationen, in denen elektrische Entladungen entstehen können. Wenn das Stromkabel oder Verlängerungskabel beschädigt ist, darf der Kompressor nicht genutzt werden. Die Stromkabel müssen regelmäßig überprüft werden. Verwenden Sie den Kompressor nie in oder in der Nähe von Wasser oder in Umgebungen, wo elektrische Entladungen auftreten können.*

#### Elektrischer Anschluss

Die Eingangsspannung des Motors muss mit der auf dem Typenschild angegebenen Netzspannung übereinstimmen. Der Kompressor wird mit einem elektrischen Kabel und einem zweipoligen Stecker + Erdleiter geliefert. Es ist wichtig, dass der Kompressor an eine geerdete Steckdose angeschlossen wird (Abb. 9).



*Den Erdleiter nicht mit dem Nullleiter verwechseln. Die Erdung muss gemäß der Richtlinie zur Sicherheit von Maschinen (EN 60204) stattfinden. Der Stecker des Stromkabels darf nicht als Schalter verwendet werden, sondern muss in eine Steckdose gesteckt werden, die mit einem entsprechenden Differenzialschalter (thermomagnetisch) funktioniert.*

### 3. BENÜTZUNG



*Nur für den Heimgebrauch.*



**Vermerk:** Die Informationen in dieser Anleitung dienen dazu, dem Bediener beim Gebrauch und bei der Wartung des Kompressors zu helfen. Manche Abbildungen in dieser Anleitung können in Einzelheiten von Ihrem Kompressor abweichen.

## Montage

Nachdem der Kompressor ausgepackt (Abb. 1) und auf einwandfreien Zustand sowie Transportschäden überprüft wurde, müssen nachstehende Handlungen ausgeführt werden. Wenn nicht bereits geschehen, den GummifüÙe wie in Abb. 2 dargestellt am Kessel anbringen. Den Kompressor an einem ausreichend gelüfteten, vor atmosphärischen Einflüssen geschützten Ort auf einem ebenen oder höchstens 10° geneigten Untergrund (Abb. 3) aufstellen. Nicht in explosionsgefährlichen Umgebungen aufstellen. Bei geneigtem, glattem Untergrund muss sichergestellt werden, dass der Kompressor sich während des Betriebs nicht von der Stelle bewegen kann. Wenn als Untergrund ein Ablagebord oder ein Regalbrett verwendet wird, muss dieses vorschriftsgemäß befestigt sein, um zu gewährleisten, dass es nicht fallen kann. Um eine ausreichende Lüftung und effektive Kühlung zu gewährleisten, muss der Abstand zwischen Kompressor und Wänden mindestens 100 cm betragen (Abb. 4).



*Darauf achten, dass der Kompressor vorschriftsgemäß transportiert wird, nicht auf den Kopf drehen und nicht mit Hilfe von Haken oder Seilen heben (Abb. 5 und 6).*

## Achtung! Bevor in betrieb nahme

Den Kunststoffverschluss von der Kurbelgehäuseabdeckung entfernen. Das Kurbelgehäuse mit dem mitgelieferten Öl (250 ml) füllen. Der Ölstand kann am Schauglas unten im Kurbelgehäuse abgelesen werden. Das Gehäuse muss bis zur roten Markierung mit Öl gefüllt sein (Abb. 7 und 8).

## Inbetriebnahme

- Überprüfen, ob die Netzspannung mit den elektrischen Daten auf dem Typenschild übereinstimmt (Abb. 10), die zulässige Abweichung beträgt maximal 5 %.
- Den auf dem oberen Geräteteil angebrachten Hebelschalter in die Stellung „0“ schalten, gemäß dem auf dem Gerät montierten Druckwächertyp (Abb. 11).
- Den Stecker in die Steckdose stecken (Abb. 9) und den Hebelschalter des Druckwächters auf die Stellung „I“ schalten, um den Kompressor anzulassen. Der Kompressor funktioniert völlig automatisch; er wird vom Druckwächter gesteuert, der den Kompressor anhält, wenn der Druck im Kessel den Höchstwert erreicht, und ihn wieder aktiviert, sobald der Druck auf den Mindestwert absinkt. Normalerweise beträgt der Druckunterschied zwischen dem Höchst- und Mindestwert ungefähr 2 bar/29 psi. Beispiel: Der Kompressor hört auf zu arbeiten, sobald er 8 bar (116 psi) erreicht, (max. Arbeitsdruck) und wird automatisch wieder gestartet, wenn der Druck im Kessel auf 6 bar (87 psi) abfällt.
- Nach Anschluss des Kompressors an das Stromnetz den Kessel bei Maximaldruck mit Luft füllen und die ordnungsgemäÙe Funktion des Geräts überprüfen.



*Die Baugruppe aus Kopf/Zylinder/Luftleitung kann hohe Temperaturen erreichen, daher beim Arbeiten in der Nähe dieser Teile vorsichtig vorgehen und sie nicht berühren, um Brandwunden zu vermeiden (Abb. 12 und 13).*

## 5. VEDLIKEHOLD

### Vedlikehold



*Trekk støpselet ut av stikkontakten når det skal utføres vedlikehold på motoren.*

Maskinene fra Ferm er konstruert for å kunne brukes over lang tid med minimalt vedlikehold. For å oppnå tilfredsstillende resultater over lang tid, er det viktig å stelle maskinen riktig og rengjøre den regelmessig. Før du foretar noe som helst inngrep i kompressoren, må du forsikre deg om at:

- strømbryteren står i stilling "0".
- trykkregulatoren og bryterne på bryterpanelet står i stilling "0".
- det ikke er trykk i tanken.

### Rengjøring

Rengjør maskinens ytterside regelmessig med en myk fille - helst hver gang den er brukt. Hold ventilasjonsåpningene frie for støv og skitt. Hvis det er vanskelig å fjerne skitt, kan man bruke en myk fille som er fuktet med såpevann. Bruk aldri løsemidler som bensin, alkohol, ammoniakkvann, etc. Disse løsemidlene kan ødelegge plastdelene.

### Smøring

Innsugingsfilteret bør demonteres etter hver 50. driftstime, og filterelementet bør blåses rent med trykkluft (fig. 15). Filterelementet bør skiftes minst én gang per år hvis kompressoren brukes i rene omgivelser, og oftere hvis den brukes i støvete omgivelser. Kompressoren danner kondensert vann som samles opp i tanken. Det kondenserte vannet må tappes av tanken minst én gang per uke. Det gjøres ved å åpne tappekranen (fig. 16) under tanken. Vær forsiktig hvis det er trykkluft i flasken, fordi vannet kan sprute ut under trykk. Anbefalt trykk er maksimalt 1-2 bar.



*Det kondenserte vannet fra den oljesmurte kompressoren skal ikke helles i avløpet eller ute i naturen, fordi det inneholder olje.*

### Skifte eller etterfyll olje

Kompressoren leveres med syntetisk olje av type "SAE 10W30". Oljen i pumpesystemet bør skiftes etter de første 100 driftstimer.

- Skru ut tappepluggen (ventil) på bunnpannen, la all oljen renne ut og skru på pluggen igjen (fig. 17).
- Fyll på olje i det øvre hullet på bunnpannen (fig. 18), til nivået angitt på ventilen (fig. 8) er nådd. Kontroller oljenivået i bunnpannen hver uke, og etterfyll hvis det er nødvendig.

Hvis omgivelsestemperaturen er fra -5°C til +35°C, skal det brukes syntetisk olje som er merket "SAE 10W30". Den syntetiske oljen har den fordelen at den ikke mister sine egenskaper, verken når det er kaldt eller varmt.

Vanligvis er trykkforskjellen omtrent 2 bar (29 psi) mellom maksimums- og minimumsverdiene. Kompressoren vil for eksempel stoppe når den når 8 bar (116 psi) (dette er maksimalt driftstrykk), og vil starte opp automatisk når trykket i tanken har falt til 6 bar (87 psi).



*Toppen, sylindere og overføringsrørene kan bli svært varme. Vær derfor forsiktig når du er i nærheten av disse delene. Unngå å ta på dem, da dette kan gi brannskader (fig. 12-13).*

#### Justere driftstrykket

##### Fig. 14

Det er ikke nødvendig å ha maksimalt driftstrykk hele tiden. Trykkluftverktøy trenger ofte ikke så høyt trykk. Når det gjelder kompressorer med trykkreduksjonsventil, er det nødvendig med riktig innstilling av driftstrykket. Driftstrykket kan stilles inn med bryteren på reduksjonsventilen.

- Trykket økes ved å dreie bryteren med urviseren.
- Trykket minkes ved å dreie bryteren mot urviseren.

Innstilt trykkverdi kan låses ved å dreie ringen under bryteren i motsatt retning av bryteren, slik at bryteren låses i stilling. Innstilt trykkverdi vises på manometeret til reduksjonsventilen.

## 4. FEIL

#### Trykktap

- Kan skyldes en utett pakning.
  - *Kontroller alle forbindelser ved å bløte dem med vann.*

#### Kompressoren går, men gir ikke trykk

##### Fig. 19

- Kan skyldes ødelagte ventiler (C-C2) eller pakning (B1-B2).
  - *Skift ødelagte deler.*

#### Kompressoren starter ikke

Hvis det er vanskelig å starte kompressoren, må du undersøke om

- Nettspenningen er den samme som den som er angitt på spesifikasjonsplaten (fig. 10).
- Om det brukes skjøteledninger med skadete ledere, eller med feil lengde.
- Det er for kaldt i arbeidsområdet (under 0°C).
- Det er nok olje i bunnpannen til å gi god smøring (fig. 8).
- Det er elektrisk forbindelse (kontakt satt i, termo-tennmagnet-sikringene er hele).

#### Kompressoren slår seg ikke av

Hvis kompressoren ikke slår seg av når maksimalt lufttrykk er nådd, aktiveres tankens sikkerhetsventilen. Nærmeste autoriserte Support Service må kontaktes for reparasjon.

#### Regelung des Arbeitsdrucks

##### Abb. 14

Es braucht nicht immer der maximale Arbeitsdruck verwendet zu werden, meistens haben Druckluftwerkzeuge einen niedrigeren Druckbedarf. Bei mit einer DruckminderungsVorrichtung ausgestatteten Kompressoren muss der Arbeitsdruck richtig eingestellt werden. Der Arbeitsdruck kann mit Hilfe des Drehknopfs auf dem Druckminderer eingestellt werden.

- Durch Drehen im Uhrzeigersinn wird der Druck erhöht.
- Durch Drehen gegen den Uhrzeigersinn wird der Druck vermindert.

Der eingestellte Druck kann festgesetzt werden, indem man den Ring unterhalb des Drehknopfs in entgegengesetzter Richtung zum Drehknopf dreht, sodass der Knopf fixiert wird. Der eingestellte Druck wird auf dem Manometer auf dem Druckminderer angezeigt.

## 4. STÖRUNGEN

#### Luftverlust

- Kann durch eine schlecht schließende Verbindung verursacht werden.
  - *Alle Verbindungen durch Nassmachen mit Wasser und Seife überprüfen.*

#### Kompressor läuft, aber saugt keine Luft an

##### Abb. 19

- Kann durch Bruch der Klappen (C-C2) oder einer Dichtung (B1-B2) verursacht werden.
  - *Das beschädigte Teil ersetzen.*

#### Kompressor startet nicht

Wenn der Kompressor sich nicht einfach anlassen lässt, Folgendes überprüfen:

- Stimmt die Spannung im Netz mit der auf dem Typenschild angegebenen Spannung überein (Abb. 10)?
- Wurden keine Verlängerungskabel mit falschem Querschnitt oder falscher Länge verwendet?
- Ist die Arbeitsumgebung nicht zu kalt (unter 0 °C)?
- Befindet sich Öl im Kurbelgehäuse, sodass die Schmierung gewährleistet ist (Abb. 8)?
- Funktioniert die Stromversorgung (Stecker richtig angeschlossen, thermomagnetisch, Sicherungen nicht defekt)?

#### Kompressor stoppt nicht

Wenn der Kompressor bei Erreichen des Maximaldrucks nicht angehalten wird, wird das Sicherheitsventil des Kessels aktiviert. Setzen Sie sich mit dem autorisierten Servicezentrum in Ihrer Nähe in Verbindung, um das Gerät reparieren zu lassen.

## 5. INSTANDHALTUNG

D

### Wartung



Vergewissern Sie sich, dass der Netzstecker gezogen ist, während Sie Wartungsarbeiten am Motor ausführen.

Die Ferm-Geräte wurden für Langzeitbetrieb bei minimaler Wartung konstruiert. Ihr nachhaltig zufriedenstellender Betrieb hängt von der richtigen Gerätepflege und von regelmäßiger Reinigung ab. Vor dem Ausführen von Handlungen am Kompressor muss Folgendes sichergestellt sein:

- Der allgemeine Hauptausschalter muss auf der Stellung „0“ stehen.
- Der Druckwächter und die Schalter auf der Zentraleinheit müssen ausgeschaltet sein, Stellung „0“.
- Der Luftkessel muss drucklos sein.

### Reinigung

Reinigen Sie das Gerätegehäuse regelmäßig mit einem weichen Tuch, vorzugsweise nach jeder Benutzung. Halten Sie die Belüftungsschlitze frei von Staub und Schmutz. Lässt sich der Schmutz so nicht entfernen, verwenden Sie ein weiches, mit Seifenwasser befeuchtetes Tuch. Verwenden Sie niemals Lösungsmittel wie Benzin, Alkohol, Ammoniakwasser usw. Diese Lösungsmittel können die Kunststoffteile beschädigen.

### Schmierung

Es wird empfohlen, den Ansaugfilter alle 50 Betriebsstunden zu demontieren und das Filterelement durch Ausblasen mit Druckluft zu reinigen (Abb. 15). Wenn der Kompressor in einer sauberen Umgebung betrieben wird, kann das Filterelement am besten mindestens einmal pro Jahr ausgewechselt werden, bei einer staubigen Arbeitsumgebung ist häufigeres Auswechseln erforderlich. Der Kompressor erzeugt Kondenswasser, das sich im Kessel sammelt. Das Kondenswasser muss mindestens einmal pro Woche durch Öffnen des Ablasshahns unter dem Kessel (Abb. 16) aus dem Kessel abgelassen werden. Vorsicht: Wenn sich Druckluft im Inneren befindet, kann das Wasser mit viel Kraft ausgestoßen werden. Empfohlener Druck: max. 1–2 bar.



Da es Öl enthält, darf das Kondenswasser des ölgeschmierten Kompressors nicht in die Kanalisation abgelassen oder in die Umwelt abgegeben werden.

### Ölwechseln/nachfüllen

Der Kompressor wird mit dem synthetischen Öl SAE 10W/30 geliefert. Das Öl des Pumpensystems sollte innerhalb der ersten 100 Betriebsstunden völlig ersetzt werden.

- Den Verschluss des Ablasses (Schauglas) auf der Abdeckung des Kurbelgehäuses lösen, das Öl restlos ablaufen lassen und den Verschluss wieder anbringen (Abb. 17).
- Öl durch die oberste Öffnung in der Abdeckung des Kurbelgehäuses einfüllen (Abb. 8). Den Ölstand des Pumpensystems jede Woche überprüfen und wenn erforderlich Öl nachfüllen.

### Elektrisk tilkobling

Kontroller at nettspenningen stemmer med spenningen som er angitt på motorens spesifikasjonsplate. Kompressoren har en elektrisk ledning med topolet kontakt i tillegg til jording. Det er viktig at kompressoren kobles til et jordet nettuttak (fig. 9).



Bruk aldri jordledningen istedenfor den nøytrale lederen (0-leder). Jordingen skal skje i henhold til sikringsbestemmelsene (EN 60204).

## 3. BETJENING



Bare til hjemmebruk

**NB:** Informasjonen i denne bruksanvisningen er skrevet for å hjelpe operatøren med bruk og vedlikehold av kompressoren. Enkelte illustrasjoner i denne bruksanvisningen kan vise detaljer som er annerledes enn på din kompressor.

### Installering

Når du har tatt kompressoren ut av emballasjen (fig. 1), har undersøkt at den er i perfekt stand og at den ikke er skadet under transporten, skal du gjøre som beskrevet nedenfor. Monter gummihetten på tanken slik det er beskrevet i figur 2. Plasser kompressoren på et flatt underlag med en helning på mindre enn 10° (fig. 3), i et godt ventilert område, beskyttet mot atmosfæriske faktorer og uten eksplosjonsfare. Hvis underlaget heller og er mykt, må du sørge for at kompressoren ikke kan flytte på seg under bruk. Hvis du setter den på et bord eller en hylle, må du sørge for at disse ikke kan velte eller falle ned, ved å sikre dem godt. For å sikre god ventilasjon og effektiv kjøling er det viktig at kompressoren plasseres minst 100 cm fra vegg (fig. 4).



Sørg for at kompressoren fraktes i riktig posisjon. Ikke snu den opp ned eller løft den med kroker eller rep (fig. 5-6).

### Viktig! Førferdigstilling

Ta plastlokket av bunnpannen. Fyll bunnpannen med den medfølgende oljen (250 ml). Måleren i bunnen av bunnpannen viser oljenivået. Det skal være på høyde med det røde punktet (fig. 7 og 8).

### Oppstart

- Forsikre deg om at nettspenningen er lik den som er vist på platen for elektriske spesifikasjoner (fig. 10). Tillatt avvik er 5 %.
- Sett bryteren som er plassert på øvre del, i posisjon "0" i samsvar med trykkregulatoren som sitter på enheten (fig. 11).
- Sett i kontakten (fig. 9) og start kompressoren ved å sette bryteren til trykkregulatoren i stilling "I". Driften av kompressoren er helt automatisk. Trykkregulatoren stopper kompressoren når maksimumsverdien er nådd, og den starter den når trykket faller under minimumsverdien.

- Forsikre deg om at trykket i tanken er redusert før forbindelsene med tanken skrues opp.
- Det må ikke lages hull i den trykkfylte tanken, eller sveises på den, og den må ikke deformeres.
- Ikke foreta deg noe med kompressoren uten først å trekke ut kontakten.
- Ikke rett vannstråler eller stråler fra brennbare væsker mot kompressoren.
- Ikke plasser brennbare objekter nær kompressoren.
- Sett trykkregulatoren i stilling "0" (OFF = uit) når du tar pauser.
- Rett aldri trykkluft mot personer eller dyr (fig. 20).
- Ikke frakt kompressoren når det er trykk i tanken.
- NB: enkelte deler, som toppen og overføringsrørene, kan bli svært varme. Ikke ta på disse delene. Det kan gi brannskader (fig. 12-13).
- Flytt kompressoren ved å løfte den eller ved å bruke de spesielle håndtakene (fig. 5-6).
- Barn og dyr må holdes unna maskinens arbeidsområde.
- Hvis du bruker maskinen til sprøytemaling:
  - a) Ikke arbeid i tett lukkede rom eller nær åpen ild.
  - b) Forsikre deg om at arbeidsrommet er godt ventilert.
  - c) Beskytt nese og munn med ansiktsmaske (fig. 21).
- Ikke bruk kompressoren hvis den elektriske ledningen eller kontakten er skadet. Be autorisert Support Service om å skifte dem med originaldeler.
- Når kompressoren er plassert på et underlag som er høyere enn gulvet, må den sikres slik at den ikke kan falle ned under bruk.
- Ikke stikk objekter eller hendene inn i beskyttelsesdekslene. Det kan føre til personskade og skade på kompressoren.
- Ikke rett kompressoren mot personer, objekter eller dyr. Dette kan gi alvorlige skader.
- Trekk ut kontakten når kompressoren ikke skal brukes.
- Trykkluftslangene må bare brukes til trykkluft, og da med et trykk som er tilpasset kompressoren. Ikke forsøk å reparere en skadet slange.

## Elektrisk sikkerhet

### Jordingsbestemmelser

Denne kompressoren må være jordet under bruk for å unngå at brukeren får elektrisk støt. Kompressorens ledning har to ledere og en jordledning. Den elektriske tilkoblingen må utføres av kvalifisert tekniker. Du bør ikke demontere kompressoren, og heller ikke foreta andre koblinger i trykkregulatoren. Reparasjoner skal utføres av autorisert Support Services eller andre kvalifiserte sentre.



*Husk at jordledningen er den grønne eller gule og grønne lederen. Denne må aldri kobles til et kontaktpunkt for strømledere.*

Ved skifte av kontakt, må du forsikre deg om at jordledningen er tilkoblet. Hvis du er usikker, må du tilkalle elektriker og få jordingen kontrollert.

### Skjøteledninger

Bruk bare jordet skjøteledning, og bruk aldri ødelagte skjøteledninger. Kontroller at skjøteledningen er i god stand. For denne enheten må skjøteledningen ha en diameter på minst 2,5 mm<sup>2</sup> (dette gjelder for en lengde på opptil 20 meter). Trekk alltid skjøteledninger helt ut av eventuelle sneller.

Für den Betrieb bei einer Umgebungstemperatur von  $-5^{\circ}\text{C}$  bis  $+35^{\circ}\text{C}$  synthetisches Öl SAE 10W30 verwenden. Synthetisches Öl hat den Vorteil, dass seine Charakteristiken sich nicht ändern, weder im Sommer noch im Winter.



*Das gebrauchte Öl darf nicht in die Kanalisation abgelassen oder in die Umwelt abgegeben werden.*

Für den Ölwechsel die Angaben in der folgenden Tabelle befolgen.

Öltyp	Betriebsstunden
Mehrbereichsölen SAE 10W30	100 oder 6 Monaten

### Fehler

Sollte beispielsweise nach Abnutzung eines Teils ein Fehler auftreten, dann setzen Sie sich bitte mit der auf der Garantiekarte angegebenen Serviceadresse in Verbindung. Im hinteren Teil dieser Anleitung befindet sich eine ausführliche Übersicht über die Teile, die bestellt werden können.

### Umwelt

Um Transportschäden zu verhindern, wird die Maschine in einer soliden Verpackung geliefert. Die Verpackung besteht weitgehend aus verwertbarem Material. Benutzen Sie also die Möglichkeit zum Recyclen der Verpackung.



*Schadhafte und/oder entsorgte elektrische oder elektronische Geräte müssen an den dafür vorgesehenen Recycling-Stellen abgegeben werden.*

### Garantie

Die Garantiebedingungen finden Sie auf der lose beigefügten Garantiekarte.

## CE KONFORMITÄTSERKLÄRUNG (D)

Wir erklären in alleiniger Verantwortung, daß dieses Produkt mit den folgenden Normen oder normativen Dokumenten übereinstimmt:

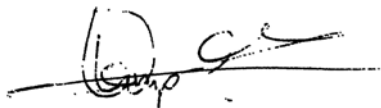
*prEN1012-1, prEN1012-2, EN60204-1, EN-12100, ISO5388, EN55014-2, EN61000-3-2, EN61000-3-3*

gemäß den Bestimmungen der Richtlinien:

*98/37EEC, 73/23/EEC, 89/336/EEC, 87/404/EEC, 2000/14/EEC*

ab 01-01-2006

**ZWOLLENL**



W. Kamphof  
Quality department

Unsere Firmenpolitik ist auf ständige Verbesserung unserer Produkte ausgerichtet und wir behalten uns das Recht vor, die Produktspezifikation ohne vorherige Benachrichtigung zu ändern.

**Ferm BV • Lingenstraat 6 • 8028 PM Zwolle • Niederlande**

11. Luftfilter
12. Oljelokk
13. Bunnpanne
14. Tappekran

## 2. SIKKERHETSFORSKRIFTER

### Forklaring av symboler

I denne bruksanvisningen benyttes følgende symboler:



*Les bruksanvisningene.*



*I samsvar med sikkerhetskravene i gjeldende europeiske direktiver.*



*Henviser til mulig personskade, livsfare eller fare for skader på maskinen hvis instruksene i denne bruksanvisningen ikke overholdes.*



*Viser til elektrisk spenning.*



*Trekk støpslet ut av stikkontakten*



*Driften av kompressoren er helt automatisk. Trykkregulatoren stopper kompressoren når maksimumsverdien er nådd, og den starter den når trykket faller under minimumsverdien.*



*Fare for høye temperaturer  
Advarsel: maskinen inneholder deler som kan bli veldig varme.*



*Bruk hørselsvern.*



*Lydeffektnivå*



*Defekte og/eller kasserte elektriske eller elektroniske apparater må avhendes ved egnede returpunkter.*

### Spesielle sikkerhetsforskrifter

- For å oppnå best mulig bruk av maskinen, med full, kontinuerlig belastning og med maksimalt driftstrykk, må du sørge for at temperaturen i et lukket arbeidsområde ikke overstiger +25°C.
- Du bør ikke bruke kompressoren med full belastning i mer enn maksimalt 70% av en time hvis du vil sikre varig god drift av kompressoren.

## OLJEBASERT KOMPRESSOR FCO-1524

Tallene i teksten nedenfor viser til illustrasjonene på side 2 - 3.



Les denne bruksanvisningen nøye før maskinen tas i bruk. Sørg for å vite hvordan maskinen virker og hvordan den skal betjenes. Vedlikehold maskinen i henhold til instruksene, slik at den alltid virker som den skal. Oppbevar denne bruksanvisningen og den vedlagte dokumentasjonen ved maskinen.

### Innhold

1. Maskindetaljer
2. Sikkerhetsforskrifter
3. Betjening
4. Feil
5. Vedlikehold

## 1. MASKINDETALJER

### Tekniske spesifikasjoner

Spenning	230 V~
Frekvens	50 Hz
Kapasitet	1.5 HP
Tomgangshastighet	2800/min
IP Klasse	IP 33
Tankkapasitet	24liter
Luftinntak	160l/min
Maks. utgangstrykk	8.0 bar
Vekt	27.15 kg
Lydeffektnivå	91.0 dB(A)

Verdien for støynivå kan øke fra 1 til 10 dB(A) avhengig av omgivelsene der kompressoren blir installert.

### Produktinformasjon

#### Fig. 1

1. Deksel
2. Håndtak
3. Bryter
4. Automatisk stopp
5. Trykkgulator
6. Hurtigkoplning (utgang)
7. Trykkmåler (trykkgulator)
8. Trykkmåler (tank)
9. Sikkerhetsventil
10. Trykkrør

## COMPRESSOR OLIEHOUDEND FCO-1524

De nummers in de nu volgende tekst verwijzen naar de afbeeldingen op pag. 2 - 3.



Lees deze gebruiksaanwijzing aandachtig door voor u de machine in gebruik neemt. Zorg dat u kennis heeft van de werking van de machine en op de hoogte bent van de bediening. Onderhoud de machine volgens de instructies opdat deze altijd goed functioneert. Bewaar deze gebruiksaanwijzing en de bijgevoegde documentatie bij de machine.

### Inhoud

1. Machine gegevens
2. Veiligheidsvoorschriften
3. Gebruik
4. Storingen
5. Onderhoud

## 1. MACHINE GEGEVENS

### Technische specificaties

Spanning	230 V~
Frequentie	50 Hz
Vermogen	1.5 pK
Toerental onbelast	2800/min
IP Klasse	IP 33
Tankinhoud	24liter
Lucht inlaat	160l/min
Max. druk uitlaat	8.0 bar
Gewicht	27.15 kg
Geluidsvermogen	91.0 dB(A)

Voor de Europese markt is de tank van deze compressoren gebouwd volgens de Richtlijn CE87/404. Voor de Europese markt zijn de compressoren gebouwd overeenkomstig met de Richtlijn CE98/37. De waarde van het geluidsniveau kan stijgen van 1 tot 10 dB(A) in functie van de omgeving waarin de compressor wordt geïnstalleerd.

### Produktinformatie

#### Fig. A

1. Afdekkap
2. Handgreep
3. Schakelaar
4. Reduceerventiel
5. Drukregelaar
6. Snelkoppeling (Uitgang)
7. Manometer (Drukregelaar)



8. Manometer (Ketel)
9. Veiligheidsventiel
10. Drukleiding
11. Luchtfilter
12. Oliedop
13. Oliereservoir
14. Aftapkraan

## 2. VEILIGHEIDSVOORSCHRIFTEN

### Symbolenlijst

In deze gebruiksaanwijzing worden de volgende pictogrammen gebruikt:



*Lees de instructies.*



*Deze machine voldoet aan alle toepasselijke Europese veiligheidsvoorschriften.*



*Pas op! gevaar van persoonlijk letsel, levensgevaar of mogelijke beschadiging van de machine indien de voorschriften in deze gebruikershandleiding niet worden opgevolgd.*



*Pas op: elektrische stroom!*



*Verwijder onmiddellijk de stekker uit het stopcontact tijdens onderhoudswerkzaamheden!*



*Pas op! De compressor kan bij stroomuitval en daaropvolgend stroomherstel automatisch van start gaan.*



*Pas op! De compressor bevat hete oppervlakken die persoonlijk letsel kunnen veroorzaken bij aanraking. Vermijd contact.*



*Draag bij gebruik van deze machine gehoorbescherming*



*Geluidvermogen*



*Defecte en/of afgedankte elektrische of elektronische gereedschappen dienen ter verwerking te worden aangeboden aan een daarvoor verantwoordelijke instantie.*

### Speciale veiligheidsvoorschriften

- Voor een goede werking van de compressor met een tank bij maximum werkdruk, is het van belang dat de omgevingstemperatuur niet hoger is dan 25 °C.



*Älä kaada käytettyä öljyä viemäriin tai luontoon.*

Seuraavassa taulukossa on esitetty öljyjen vaihtovälit.

Öljyalaatu	Käyttötunnit
Moniasteöljyt SAE 10W30	100 tai 6 kuukauden

### Viat

Jos laitteeseen tulee vika esimerkiksi osan kulumisen takia, ota yhteyttä Ferm-myyjääsi. Ohjekirjan lopussa on irto-osakuva, josta ilmenee mitä varaosia laitteeseen voi tilata.

### Ympäristö

Laite toimitetaan tukevassa pakkauksessa, jotta se ei vahingoitu kuljetuksen aikana. Useimmat pakkausmateriaalit voidaan kierrättää. Toimita nämä materiaalit asianmukaisesti keräyspisteisiin. Käytöstä poistetut laitteet voit toimittaa Ferm-myyjälle, joka huolehtii niiden hävittämisestä ympäristölle turvallisella tavalla.

### Takuu

Takuuehdot ilmenevät erillisestä takuukortista, joka toimitetaan laitteen mukana.

## CE TODISTUS STANDARDINMUKAISUUDESTA (FIN)

Todistamme täten ja vastaamme yksin siitä, että tämä tuote on allaluateitujen standardien ja standardoimisasiakirjojen vaatimusten mukainen:

**prEN1012-1, prEN1012-2, EN60204-1, EN-12100, ISO5388, EN55014-2, EN61000-3-2, EN61000-3-3**

ja noudattaa seuraavien direktiivien määräyksiä:

**98/37/ETY, 73/23/ETY, 89/336/ETY, 87/404/ETY**

Voimassa 01-01-2006

**ZWOLLE NL**

W. Kamphof  
Laadunvalvontaosasto

Kehitämme jatkuvasti tuotteitamme ja pidätämme siksi oikeuden muuttaa tuotteen ominaisuuksia ilman eri ilmoitusta.

**Ferm BV • Lingenstraat 6 • 8028 PM Zwolle • Alankomaat**



## 5. HUOLTO

### Kunnossapito



*Kun huollat moottoria, varmista että pistotulppa on irrotettu pistorasiasta.*

Ferm-laitteet on suunniteltu toimimaan pitkän aikaa mahdollisimman vähällä huollolla. Jotta laite toimisi jatkuvasti hyvin, sitä on hoidettava hyvin ja se on puhdistettava säännöllisesti.

Ennen huoltotoimia varmista seuraavat:

- Päälinjakytkin on asennossa "0".
- Painesäätimen ja kytkinpaneelin kytkimet ovat asennossa "0".
- Paineilmasäiliössä ei ole painetta.

### Puhdistus

Pyyhi laitteen ulkopinta säännöllisesti, mieluiten joka käyttökerran jälkeen, pehmeällä liinalla. Pidä ilmanvaihtoaukot pölyttöminä ja puhtaina. Jos lika ei irtoa muuten, pyyhi pehmeällä, saippuaveteen kostutetulla liinalla. Älä käytä puhdistukseen bensiiniä, alkoholia, ammoniakkaa tai muita liuotteita. Ne voivat vahingoittaa muoviosia.

### Voitelu

On suositeltavaa purkaa imusuodatin 50 käyttötunnin välein ja puhdistaa suodatinelementti paineilmalla puhaltamalla (kuva 15). On suositeltavaa vaihtaa suodatinelementti vähintään kerran vuodessa, jos kompressoria käytetään puhtaassa ympäristössä ja useammin, jos ympäristö on pölyinen. Kompressorissa muodostuu kondenssivettä, joka keräytyy säiliöön. Säiliöön tiivistynyt vesi on poistettava kerran viikossa avaamalla säiliön alla oleva tyhjennyshana (kuva 16). Ole varovainen säiliön ollessa paineistettu, koska vesi tulee tällöin ulos voimalla. Suositeltava enimmäispaine on 1-2 bar.



*Voidellun kompressorin kondenssivettä ei tule kaataa viemäriin tai luontoon, koska se sisältää öljyä.*

### Öljyn vaihtaminen/täyttämisen

Kompressorin mukana toimitetaan synteettistä öljyä "SAE 10W30". On suositeltavaa vaihtaa järjestelmän öljy ensimmäisen 100 käyttötunnin aikana.

- Kierrä auki säiliön kannen tyhjennystulppa (mitta), valuta öljy ulos ja kierrä tulppa takaisin (kuva 17).
- Täytä öljy säiliön kannen ylemmän reiän kautta (kuva 18), kunnes mittarin osoittama öljymäärä (kuva 8) on saavutettu. Tarkasta järjestelmän öljyn määrä viikoittain ja täydennä tarvittaessa.

Käyttölämpötiloissa -5 - +35 °C sopiva öljy on "SAE 10W30". Synteettisen öljyn etuna on, ettei sen ominaisuudet heikenny kesällä tai talvella.

- Gebruik de compressor maximaal 70% van de tijd op maximaal vermogen voor een optimale benutting en goede werking van de machine.
- Zorg ervoor dat er geen druk meer op de tank staat, wanneer schroefverbindingen aan de compressor worden losgedraaid.
- Het is verboden gaten, lassen te maken of moedwillig de tank van de samengeperste lucht te vervormen.
- Geen handelingen aan de compressor uitvoeren zonder eerst de stekker uit het stopcontact te hebben getrokken.
- Geen waterstralen of stralen van ontvlambare vloeistoffen op de compressor richten.
- Geen ontvlambare voorwerpen in de buurt van de compressor zetten.
- De schakelaar in stand "0" (OFF) zetten, wanneer de compressor niet wordt gebruikt.
- Nooit de luchtstraal op personen of dieren richten (fig.20).
- De compressor niet transporteren met de tank onder druk.
- Bepaalde delen van de compressor (zoals cilinderkop en doorvoerbuizen) kunnen hoge temperaturen bereiken. Raak deze onderdelen niet aan om brandwonden te vermijden (fig. 12-13).
- De compressor transporteren door hem op te heffen of door gebruik te maken van de speciale grepen of handvaten (fig. 5-6).
- Kinderen en dieren moeten ver van de het werkgebied van de machine gehouden worden.
- Als u de compressor gebruikt om te schilderen:
  - a) *Niet werken in gesloten omgevingen of in de nabijheid van open vlammen.*
  - b) *Zich ervan vergewissen dat de omgeving waar gewerkt wordt een aangepaste luchtverversing heeft.*
  - c) *Neus en mond beschermen met een aangepast masker (fig.21).*
- Als de elektrische kabel of de stekker beschadigd zijn de compressor niet gebruiken en zich tot een geautoriseerde assistentiedienst wenden voor de vervanging ervan met een origineel onderdeel.
- Als de compressor op een boekenrek of een oppervlak hoger dan de vloer geplaatst wordt moet hij vastgezet worden om te vermijden dat hij valt tijdens de werking.
- Geen voorwerpen en handen binnenin de beschermingsroosters steken om fysieke schade en schade aan de compressor te voorkomen.
- De compressor niet als stomp voorwerp tegenover personen, dingen of dieren gebruiken om zware schade te vermijden.
- Als de compressor niet meer gebruikt wordt, altijd de stekker uit het stopcontact trekken.
- Gebruik alleen pneumatische leidingen die geschikt zijn voor de aangegeven maximum druk van de compressor. Probeer een pneumatische leiding niet te herstellen wanneer deze is beschadigd.

### Elektrische veiligheid

#### Aarding voorschriften

Deze compressor moet geaard worden, terwijl hij in gebruik is, om de bediener te beschermen tegen elektrische schokken. De compressor is voorzien van een tweepolige kabel plus aarde. De elektrische verbinding moet uitgevoerd worden door een gekwalificeerd technicus. Wij raden aan nooit de compressor te demonteren en ook geen andere verbindingen in de drukregelaar te maken. Eender welke herstelling moet enkel uitgevoerd worden door geautoriseerde assistentiediensten of door ander gekwalificeerde centra.



*Nooit vergeten dat de draad voor de aarding de groene of de geel/groene is. Nooit deze groene draad verbinden met een terminal in werking.*

Alvorens de stekker van de voedingskabel te vervangen, ervoor zorgen dat de aardingsdraad verbonden is. Bij twijfel een gekwalificeerde elektricien roepen en de aarding laten controleren.

### Verlengsnoeren

Gebruik alleen verlengsnoeren met stekker en aarding. Gebruik nooit beschadigde of platgedrukte verlengsnoeren. Controleer of het snoer in goede staat is. De diameter van het verlengsnoer dient voldoende groot te zijn, voor een goede stroomdoorvoer. Een te dun verlengsnoer kan spanningsverlagingen veroorzaken en daardoor vermogensverlies en oververhitting van het apparaat. Voor dit apparaat dient de verlengkabel een doorsnede te hebben van tenminste 2,5 mm<sup>2</sup> (geldt voor max. lengte van 20 meter). Rol verlengkabels altijd volledig uit voordat u ze gebruikt.



*Alle risico's op elektrische ontladingen vermijden. De compressor nooit gebruiken met een beschadigde elektrische kabel of verlengsnoer. Regelmatig de elektrische kabels controleren. De compressor nooit gebruiken in of dichtbij water of in de nabijheid van een gevaarlijke omgeving waar elektrische ontladingen kunnen voorkomen.*

### Elektrische verbinding

Controleer altijd of de ingangsspanning van de motor overeenkomt met de op het typeplaatje aangegeven netspanning. De compressor wordt geleverd voorzien van elektrische kabel en tweepolige stekker + aarding. Het is belangrijk de compressor aan te sluiten op een stopcontact voorzien van aarding. (fig.9)



*Nooit de aardingsstekker gebruiken in plaats van de neutrale. De aarding moet gebeuren volgens de anti-ongevallen richtlijnen (EN 60204).*

De stekker van de elektrische kabel mag niet gebruikt worden als schakelaar, maar moet in een stopcontact gestoken worden dat werkt met een aangepaste differentiële schakelaar (magneto thermisch).

## 3. GEBRUIK



*Alleen voor doe-het-zelf doeleinden.*

**NB.:** De informatie in deze handleiding kan de gebruiker helpen bij het bedienen van de compressor en tijdens onderhoudswerkzaamheden. Sommige afbeeldingen in deze handleiding kunnen enigszins afwijken van uw compressor.

**Esimerkki:** Kompressor pysähtyy, kun paine on 8 bar (116 psi) (enimmäiskäyttöpaine) ja käynnistyy automaattisesti uudelleen, kun säiliön paine laskee arvoon 6 bar (87 psi).



*Kannen/sylinterin/vaihteistoputken kokoonpano voi kuumentua, joten ole varovainen näiden läheisyydessä äläkä kosketa niitä palovammojen välttämiseksi (kuvat 12 - 13).*

### Käyttöpaineen säätäminen

#### Kuva 14

Suurinta käyttöpainetta tarvitaan vain harvojen työkalujen kanssa. Kompressoreissa, jotka toimitetaan paineenalennusventtiilin kanssa on käyttöpaine säädettävä oikein. Käyttöpaine voidaan säätää kiertämällä alennusventtiilin nuppia.

- Paine kasvaa kiertämällä nuppia myötäpäivään.
- Paine laskee kiertämällä nuppia vastapäivään.

Asetettu paine voidaan lukita kiertämällä nupin alla olevaa rengasta vastakkaiseen suuntaan nupin kanssa, jolloin nupin asento lukittuu. Asetettu paine näkyy alennusventtiilin painemittarista.

## 4. VIAT

### Vähäinen ilman tuotto

- Voi johtua liitännän huonosta tiiveydestä.
  - *Tarkista liitännät kastelemalla ne saippuavedellä.*

### Kompressor on käynnissä, mutta ei tuota paineilmaa

#### Kuva 19

- Syynä voivat olla venttiilit (C-C2) tai rikkoutunut tiiviste (B1-B2).
  - *Vaihda viallinen osa uuteen.*

### Kompressor ei käynnisty

Tarkista seuraavat:

- Vastaako verkkojännite tyyppikilvessä ilmoitettua jännitettä (kuva 10)
- Onko mahdollisesti käytössä olevissa jatkojohdoissa vikaa tai niiden pituus liian suuri.
- Onko toimintaympäristö liian kylmä (alle 0 °C).
- Onko säiliössä öljyä voitelua varten (kuva 8)
- Toimiiko virtasyöttö (pistoke kunnolla rasiassa, sulakkeet ehjät).

### Kompressor ei pysähdy

Jos kompressor ei pysähdy, kun enimmäispaine saavutetaan, säiliön turventiili aktivoituu. Ota tällöin yhteys valtuutettuun huoltoon.

### Sähköliitäntä

Tarkasta aina, vastaako moottorin ottojännite tyyppikilvessä ilmoitettua verkkojännitettä. Kompressorin mukana toimitetaan suojavaadoitettu virtajohto. On tärkeää, että kompressorin kytketään suojavaadoitettuun pistorasiaan. (kuva 9)



*Älä koskaan käytä maadoitusjohdinta nollajohtimen sijaan. Maadoituskytkentä on tehtävä säännösten (EN 60204) mukaisesti.*

## 3. KÄYTTÖ



*Vain harrastuskäyttöön.*

**Huom:** Tämän käyttöoppaan tiedot on tarkoitettu avuksi koneen käytössä ja huollossa. Jotkin oppaan kuvat eivät ehkä vastaa käyttämäsi kompressorin.

### Asennus

Sen jälkeen kun kompressorin on purettu pakkauksesta (kuva 1) ja sen kunto on varmistettu eikä kuljetuksen jäljiltä ole vaurioita, tee seuraavat toimet. Kiinnitä pyörät ja säiliön kumikorkki mukaisesti. Sijoita kompressorin tasaiselle pinnalle, jonka kallistus on enintään 10° (kuva 3) hyvin tuuletettuun tilaan, joka ei ole ulkoilmassa eikä ympärillä ole räjähteitä. Jos paikka on kalteva ja sileä, varmista kompressorin liikkumattomuus käytön aikana kiilaamalla renkaat. Jos nostat koneen telineelle tai hyllylle, varmista, ettei kone putoa kiinnittämällä se kunnolla. Tuuletusta ja jäähdytystä varten kompressorin on sijoitettava vähintään 100 cm etäisyydelle seinästä (kuva 4).



*Kuljeta kompressorin oikealla tavalla. Koneita ei saa kääntää ylösalaisin eikä sitä saa nostaa koukkujen tai köysien avulla (kuva 5-6).*

### Tärkeää! Ennen käyttöönottoa

Poista muovikorkki öljysäiliön kannesta. Täytä säiliö mukana toimitetulla öljyllä (250 ml). Säiliön pohjalla oleva mittari osoittaa öljytason: tason pitäisi nyt olla punaisen pisteen kohdalla (kuvat 7 ja 8).

### Käynnistäminen

- Tarkasta, vastaako verkkojännite tyyppikilvessä ilmoitettua jännitettä (kuva 10), sallittu vaihteluväli on 5%.
- Paina yläosassa oleva kytkin asentoon "0" koneen painesäätimen tyyppin mukaisesti (kuva 11).
- Työnnä pistoke pistorasiaan (kuva 9) ja käynnistä kompressorin painamalla painesäätimen kytkin asentoon "1". Kompressorin toiminta on täysin automaattista. Painesäädin pysäyttää kompressorin, kun enimmäispaine on saavutettu, ja käynnistää sen uudelleen, kun paine laskee vähimmäisarvoa pienemmäksi. Normaalisti enimmäis- ja vähimmäisarvojen ero on noin 2 bar/29 psi.

### Installatie

Pak de compressor uit de verpakking (fig. 1) en controleer de compressor op transportschade. Voer vervolgens de volgende handelingen uit. De rubber doppen op de tank monteren als ze nog niet gemonteerd zijn, volgens de instructies weergegeven op fig. 2. De compressor op een vlak oppervlak zetten of ten hoogste met een helling van 10° (fig. 3), in een goed geventileerde plaats, beschermd tegen atmosferische factoren en niet in explosieve omgevingen. Als het oppervlak heft en glad is, erop letten dat de compressor zich niet verplaatst als hij werkt. Als het oppervlak een legplank is of een schap van een boekenkast, zich ervan verzekeren dat ze niet kunnen vallen door ze op de juiste manier vast te zetten. Om een goede ventilatie en een doeltreffende afkoeling te bekomen is het belangrijk dat de compressor zich op minstens 100 cm van een muur (fig. 4) bevindt.



*Erop letten dat de compressor op de juiste manier vervoerd wordt, hem niet ondersteboven keren en niet opheffen met haken of touwen (fig. 5-6).*

### Let op! Voor in gebruik name

De plastic dop op het cardeksel verwijderen. Vul het carter met de bijgeleverde olie (250 ml). Het peilglas onderaan het carter geeft het olieniveau aan: dit behoort nu gelijk te staan aan de rode stip (fig. 7 en 8).

### Opstarten

- Controleren of de netspanning overeenstemt met die aangeduid op het plaatje elektrische gegevens (fig. 10), het toegelaten tolerantievel moet binnen de 5% liggen.
- De schakelaar, aangebracht op het bovenste deel, drukken in de "0" stand volgens het type van drukregelaar gemonteerd op het apparaat (fig. 11).
- De stekker in het stopcontact steken (fig. 9) en de compressor opstarten door de schakelaar van de drukregelaar in stand "1" te brengen. De werking van de compressor is volledig automatisch, geregeld door de drukregelaar die hem stilzet wanneer de druk in de tank de maximum waarde bereikt en die hem terug doet starten als de druk naar het minimum niveau zakt. Normalerweise is het verschil in druk ongeveer 2 bar/29 psi tussen de maximum en de minimum waarde.  
Bv - De compressor stopt als hij 8 bar (116 psi) bereikt (max. werkdruk) en start automatisch als de druk in de tank gedaald is tot 6 bar (87 psi).
- Na de compressor aangesloten te hebben door de stekker in het stopcontact te steken, de tank tot de maximum druk vol te pompen en daarbij de juiste werking van de compressor nagaan.



*De kop/cilinder/overbrengingsbuis groep kan hoge temperaturen bereiken, opletten dat als men in de nabijheid van deze onderdelen werkt, en ze niet aanraken om brandwonden te vermijden (fig. 12 - 13).*

### Regeling van de werkingsdruk

#### Fig. 14

Het is niet nodig steeds de maximum werkingsdruk te gebruiken, meestal zelfs heeft het pneumatische gereedschap minder druk nodig. Bij compressoren voorzien van een drukregelaar is het nodig de werkdruk goed af te stellen. Met behulp van de draaiknop op het reduceerventiel kan de werkdruk ingesteld worden.

- Door het verdraaien met de wijzers van de klok mee, wordt de druk verhoogd.
- Door het verdraaien tegen de wijzers van de klok in, wordt de druk verlaagd.

De ingestelde druk kan geblokkeerd worden door de ring onder de draaiknop in tegengestelde richting van de draaiknop te draaien, zodat de draaiknop gefixeerd wordt. De ingestelde druk is zichtbaar op de manometer op het reduceerventiel.

## 4. STORINGEN

### Luchtverlies

- Kan afhangen van een slechte sluiting van een verbinding.
  - *Alle verbindingen controleren door ze nat te maken met water en zeep.*

### De compressor draait maar pompt niet

#### Fig. 19

- Kan te wijten zijn aan de breuk van de kleppen (C-C2) of van een pakking (B1-B2).
  - *De beschadigde kleppen vervangen.*

### De compressor start niet

Als de compressor moeilijkheden heeft om te starten, controleren:

- Of de spanning op het net overeenkomt met die op het plaatje met gegevens (fig. 10)
- Of er geen verlengsnoeren worden gebruikt met een te kleine diameter of te grote lengte.
- Of de omgevingstemperatuur niet te laag is (lager dan 0°C).
- Of er genoeg olie in het carter is om de smering te garanderen (fig. 8)
- Of de netvoeding intact is (stekker goed aangesloten, magnetothermisch, zekeringen niet stuk).

### De compressor stopt niet

Als de compressor niet stopt wanneer de maximum druk bereikt wordt treedt de veiligheidsklep in werking. Het is nodig contact op te nemen met de dichtstbijzijnde geautoriseerde onderhoudsdienst voor de reparatie.

## 5. ONDERHOUD

### Onderhoud



*Zorg er altijd eerst voor dat de stekker uit het stopcontact is verwijderd, voordat u met de onderhoudswerkzaamheden begint.*

De machines van Ferm zijn ontworpen om gedurende lange tijd probleemloos te functioneren met een minimum aan onderhoud. Door de machine regelmatig te reinigen en op de juiste wijze te behandelen, draagt u bij aan een lange levensduur van uw machine. Neem de volgende maatregelen in acht tijdens onderhoud of beëindiging van de werkzaamheden:

- De drukregelaar is uitgeschakeld, ("0" stand).
- De stekker is uit het stopcontact verwijderd.
- De tank ontluchten met behulp van de aftapkraan (14).

- Irrota pistoke pistorasiasta, ennen kuin teet huolto- tai muita toimia.
- Älä kohdista vesisuihkua tai palavien nesteiden suihkuja kompressorin.
- Älä sijoita helposti syttyviä esineitä kompressorin lähelle.
- Kytke painesäädin asentoon "0" (OFF), kun konetta ei käytetä.
- Älä koskaan suuntaa ilmasuihkua henkilöitä tai eläimiä kohti (kuva 20).
- Älä kuljeta kompressoria, kun säiliössä on painetta.
- Huom: jotkin kompressorin osat, kuten kansi ja syöttöputket, voivat kuumentua runsaasti. Älä kosketa niitä palovammojen välttämiseksi (kuvat 12-13).
- Siirrä kompressori nostamalla se tai käyttämällä erityisiä kahvoja tai tarraimia (kuvat 5-6).
- Lapset ja eläimet on pidettävä etäällä käynnissä olevasta koneesta.
- Jos käytät kompressoria maalauksessa:
  - *Älä työskentele suljetussa tilassa tai avotulen lähellä.*
  - *Varmista työtilan kunnollinen ilmanvaihto.*
  - *Suojaa nenä ja suu asianmukaisella suojuksella (kuva 21).*
- Älä käytä kompressoria, jos virtajohto tai pistoke on vahingoittunut. Pyydä valtuutettu huoltomies vaihtamaan uusi osa.
- Jos kompressori sijoitetaan lattiatasoa korkeammalle, se on kiinnitettävä putoamisen välttämiseksi käytön aikana.
- Älä työnnä esineitä tai käsiäsi suojuksien sisäpuolelle vammojen ja vahinkojen välttämiseksi.
- Älä työnnä kompressoria henkilöitä, esineitä tai eläimiä vasten vakavien vahinkojen estämiseksi.
- Irrota pistoke aina pistorasiasta, kun konetta ei käytetä.
- Käytä paineilmaletkuja vain paineilman kanssa ja varmista, että letkujen enimmäispaine sopii kompressorin kanssa käytettäväksi. Älä yritä korjata vioittunutta letkua.

### Sähköturvallisuus

#### Maadoitus

Kompressori on maadoitettava käytössä käyttäjän suojaamiseksi sähköiskulta. Kompressorin mukana toimitetaan suojamaadoitettu virtajohto. Vain valtuutettu sähköasentaja saa kytkeä koneen. Suosittelemme, että kompressoria ei pureta eikä painesäätimeen kytketä muita laitteita. Korjaukset tulee tehdä valtuutetussa huollossa tai vastaavassa ammattitaitoisessa korjaamossa.



*Maadoitusjohdin on vihreä tai keltavihreä. Älä koskaan kytke vihreää johdinta jännitteelliseen liittimeen.*

Ennen syöttöjohtimen pistokkeen vaihtamista varmista, että maadoitusjohdin on kytketty. Kutsu epäselvissä tilanteissa sähköasentaja tarkastamaan maadoitus.

#### Jatkojohdot

Käytä vain suojamaadoitettua jatkojohtoa. Älä käytä vioittunutta tai litistyneitä jatkojohtoja. Tarkasta jatkojohdon kunto. Tämän laitteen kanssa käytettävän jatkojohdon on oltava poikkipinnaltaan vähintään 2,5 mm<sup>2</sup> (enimmäispituus on tällöin 20 metriä). Pura jatkojohdot aina kelalta ennen niiden käyttämistä.

12. Öljykorkki
13. Öljypohja
14. Tyhjennyshana

## 2. TURVAOHJEET

### Symbolit

Näissä ohjeissa käytetään seuraavia symboleja:



*Lue käyttöohjeet.*



*Täyttää soveltuvien EU-direktiivien turvallisuusvaatimukset.*



*Käytetään, kun on olemassa loukkaantumisvaara, hengenvaara tai koneen rikkoutumisvaara, mikäli annettu ohjeita ei noudateta.*



*Sähköjännite.*



*Irrota pistoke pistorasiasta*



*Huomio: kompressori saattaa käynnistyä uudelleen automaattisesti virran palatessa sähkökatkon jälkeen*



*Huomio: kompressorissa on osia, jotka voivat kuumettua huomattavasti*



*Käytä kuulonsuojaimia.*



*Äänentehotas*



*Vioittuneet tai käytöstä poistettavat sähkölaitteet on toimitettava asianmukaiseen kierrätyspisteeseen.*

### Erityisturvaohjeet

- Koneen toiminnan varmistamiseksi täydellä kuormalla suurimmalla paineella jatkuvassa työssä, varmista, että työskentelytilan lämpötila on enintään +25°C.
- On suositeltavaa käyttää kompressoria 70 % enimmäispaineen arvosta täydellä kuormituksella tunnin ajan, jotta koneen käyttöikä ei lyhentyisi.
- Varmista, että säiliössä ei ole painetta, kun irrotat liitäntöjä.
- Paineilmasäiliön poraaminen, hitsaaminen tai tarkoituksellinen muodonmuutos on kielletty.

### Reinigen

Reinig de machinebehuizing regelmatig met een zachte doek, bij voorkeur iedere keer na gebruik. Gebruik bij hardnekkig vuil een zachte doek bevochtigd met zeepwater. Gebruik geen oplosmiddelen als benzine, alcohol, ammonia, etc. Dergelijke stoffen beschadigen de kunststof onderdelen.

### Smering

Het is aan te raden elke 50 werkuren het aanzuigfilter te demonteren en het filterelement schoon te maken door middel van perslucht (fig. 15). Één maal per jaar dient het luchtfilterelement te worden vervangen als de compressor in een schone omgeving werkt; en vaker als de omgeving waarin de compressor staat erg stoffig is. De compressor produceert condenswater dat zich verzamelt in de tank. Het is nodig het condenswater na het beëindigen van de werkzaamheden af te tappen d.m.v het aftapkraantje (14). Opletten als er de druk in de tank hoog is, het water zou er met veel kracht uit kunnen komen. Aangeraden druk is 1-2 bar max.



*Het condenswater van de compressor is vervuild met olie en dient opgevangen te worden en op milieuverantwoordelijke wijze worden verwerkt.*

### Vervangen/bijvullen van olie

De compressor wordt geleverd met synthetische olie "SAE 10W30". Binnen 1 jaar of na de eerste 100 werkuren is het raadzaam de olie van het pompsysteem volledig te vervangen.

- De afvoerdop (peilglas) op het carter-deksel losschroeven, alle olie eruit laten lopen en de dop weer vastschroeven (fig. 17).
- De olie bijvullen langs het via de vulopening bovenin het carter-deksel (fig. 18) tot het niveau aangeduid op het peilglas (fig.8) bereikt is.

Elke week het olieniveau van het pompsysteem controleren en indien nodig bijvullen. Voor een goede werking, bij een omgevingstemperatuur van -5°C tot +35°C synthetische olie "SAE 10W30" gebruiken. Deze olie heeft het voordeel dat ze haar kenmerken niet verliest, noch in de winterperiode noch in de zomerperiode.



*De gebruikte olie mag niet in de riool geworpen worden of verspreid worden in het milieu.*

Voor vervanging van olie onderstaande tabel aanhouden.

Type olie	Werkingsuren
Multigraden olie SAE 10W30	100 of 6 maanden

### Storingen

Wanneer er zich een storing voordoet, bijvoorbeeld bij slijtage van een onderdeel, neem dan contact op met het onderhoudsadres op de garantiekaart. Achter in deze handleiding ziet u een opengewerkte afbeelding van de onderdelen die besteld kunnen worden.



## Milieu

Om transportbeschadiging te voorkomen, wordt de machine in een stevige verpakking geleverd. De verpakking is zo veel mogelijk gemaakt van recyclebaar materiaal. Maak daarom gebruik van de mogelijkheid om de verpakking te recyclen.



Defecte en/of afgedankte elektrische of elektronische gereedschappen dienen ter verwerking te worden aangeboden aan een daarvoor verantwoordelijke instantie.

## Garantie

Lees voor de garantievorwaarden de bijgevoegde garantiekaart.

## CE CONFORMITEITSVERKLARING (NL)

Wij verklaren dat dit product voldoet aan de volgende normen of normatieve documenten

*prEN1012-1, prEN1012-2, EN60204-1, EN-12100, ISO5388, EN55014-2, EN61000-3-2, EN61000-3-3*

overeenkomstig de bepalingen in de richtlijnen:

*98/37EEC, 73/23/EEC, 89/336EEC, 87/404/EEC*

vanaf 01-06-2006

**ZWOLLENL**

W. Kamphof  
Quality department

Het is ons beleid om onze producten voortdurend verder te verbeteren en wij behouden ons daarom het recht voor om zonder voorafgaande berichtgeving de productspecificaties te wijzigen.

**Ferm BV • Lingenstraat 6 • 8028 PM Zwolle • Nederland**

## ÖLJYÄ KÄYTTÄVÄ KOMPRESSORI FCO-1524

TEKSTIN NUMEROT VIITTAAVAT KUVIIN SIVUILLA 2 JA 3



*Lue nämä ohjeet huolellisesti ennen laitteen käyttöönottoa. Tutustu laitteen toimintaan ja käyttöön liittyviin tietoihin. Laitteen moitteettoman toiminnan varmistamiseksi laite on huollettava näiden ohjeiden mukaisesti. Säilytä nämä ohjeet ja muut tiedot myöhempää käyttöä varten.*

## Sisällys

1. Koneen tiedot
2. Turvaohjeet
3. Käyttäminen
4. Viat
5. Huolto

## 1. KONEEN TIEDOT

### Tekniset tiedot

Jännite	230 V~
Taajuus	50 Hz
Kapasiteetti	1.5 HP
Joutokäynti	2800 r/min
Kotelointiluokitus	IP 33
Säiliön tilavuus	24 litraa
Ilmanotto	160 l/min
Maks. lähtöpaine	8.0 bar
Paino	27.15 kg
Äänentehotas	91.0 dB(A)

Melutaso voi nousta 1-10 dB(A) kompressorin asennusympäristön mukaan.

### Tuotteen tiedot

#### Kuva 1

1. Suojus
2. Kahva
3. Kytkin
4. Automaattipsäytin
5. Painesäädin
6. Pikaliitin (lähtö)
7. Painemittari (painesäädin)
8. Painemittari (säiliö)
9. Varoventtiili
10. Paineputki
11. Ilmansuodatin

## CE FÖRSÄKRAN (S)

Vi intygar och ansvarar för, att denna produkt överensstämmer med följande norm och dokument:

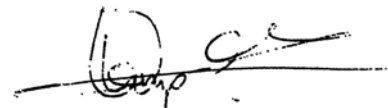
**prEN1012-1, prEN1012-2, EN60204-1, EN-12100, ISO5388, EN55014-2, EN61000-3-2, EN61000-3-3**

i enlighet med föreskrifterna:

**98/37/EEC, 73/23/EEC, 89/336/EEC, 87/404/EEC**

från 01-01-2006

**ZWOLLENL**



W. Kamphof  
Avdelning Kvalitetsbevakning

Det är vår policy att kontinuerligt förbättra våra produkter och därför förbehåller vi oss för ändringar av produktspecifikationer utan föregående information.

**Ferm BV • Lingenstraat 6 • 8028 PM Zwolle • Nederländerna**

## COMPRESSEUR HUILE FCO-1524

**Les chiffres du texte suivant correspondent aux illustrations page 2-3.**



*Lisez attentivement ce mode d'emploi avant d'utiliser la machine. Assurez-vous d'avoir bien pris connaissance du fonctionnement de la machine et de son utilisation. Entretenez la machine conformément aux instructions afin qu'elle fonctionne toujours correctement. Conservez ce mode d'emploi et la documentation jointe à proximité de la machine.*

### Contenus

1. Données de l'appareil
2. Règles de sécurité
3. Utilisation
4. Problèmes
5. Entretien

## 1. DONNÉES DE L'APPAREIL

### Spécifications techniques

Voltage	230 V~
Fréquence	50 Hz
Puissance	1.5 CV
Ralenti	2800/min
Classe IP	IP 33
Contenu du réservoir	24litre
Entrée d'air	160l/min
Pression de sortie max	8.0 Bar
Poids	27.15 kg
Niveau de puissance sonore	91.0 dB(A)

Le bruit de l'appareil varie de 1 à 10 dB(A) selon l'environnement dans lequel le compresseur est placé.

### Informations concernant le produit

#### Fig. 1

1. Couvercle
2. Poignée
3. Interrupteur
4. Arrêt automatique
5. Régulateur de pression
6. Raccord rapide (sortie)
7. Manomètre (régulateur de pression)
8. Manomètre (réservoir)
9. Soupape de sécurité



10. Conduite sous pression
11. Filtre à air
12. Bouchon d'huile
13. Carter
14. Bouchon de vidange

## 2. RÈGLES DE SÉCURITÉ

### Explication des symboles

Dans ce manuel et sur la machine, sont utilisés les symboles suivants :



*Lire les instructions.*



*En accord avec les règles de sécurité des directives européennes applicables.*



*Indique un éventuel risque de lésion corporelle, un danger de mort ou un risque d'endommagement de la machine si les instructions de ce mode d'emploi ne sont pas respectées.*



*Indique la présence de tension électrique.*



*Retirez la fiche mâle du secteur*



*Attention: le compresseur est susceptible de redémarrer automatiquement en cas de black-out et retablisement successif de la tension*



*Attention, à l'intérieur du compresseur se trouvent des certaines pièces susceptibles d'atteindre des températures élevées*



*Utiliser un dispositif de protection de l'ouïe.*



*Niveau de puissance sonore*



*Tout équipement électronique ou électrique défectueux dont vous vous seriez débarrassé doit être déposé aux points de recyclage appropriés.*

### Règles de sécurité spéciales

- Si l'appareil doit fonctionner à pleine charge, en continu, à la pression de fonctionnement maximum, dans une pièce close, assurez-vous que la température ambiante ne dépasse pas +25°C.



*Håll i inte ut förbrukad olja i avloppet eller i naturen.*

Följ nedanstående tabell vid oljebyte.

Oljetyyp	Drifttimmar
Multigradeolja SAE 10W30	100 eller efter sjätte månad

### Fel

Kontakta servicestället som anges på garantibeviset om ett fel uppstår, t.ex. på grund av en del som är nedsliten. I slutet av den här bruksanvisningen finns en sprängskiss över de delar som kan beställas.

### Miljö

För att undvika transportskador levereras maskinen i en så stadig förpackning som möjligt. Förpackningen har så långt det är möjligt tillverkats av återvinningsbart material. Ta därför tillvara möjligheten att återvinna förpackningen.



*Skadade och/eller kasserade elektriska och elektroniska apparater ska lämnas in enligt gällande miljöregler.*

### Garanti

Garantivillkoren finns på den separat bifogade garantibeviset.

## 5. UNDERHÅLL

### Underhåll



Se till att kontakten har tagits ur eluttaget innan du utför underhållsverksamheter på motorn.

Maskinerna från Ferm har tillverkats för att fungera under en lång period med minsta möjliga underhåll. För att maskinen kontinuerligt ska fungera tillfredsställande måste den skötas och rengöras på rätt sätt. Innan du försöker reparera kompressorn på något sätt som helst, kontrollera att:

- Huvudbrytaren är i läget "0".
- Tryckregulatorn och strömbrytarna på kopplingspanelen är avstängda i läget "0".
- Tryckluftstanken är helt tom.

### Rengöring

Rengör utsidan på maskinen regelbundet med en mjuk trasa, företrädesvis efter varje användning. Håll ventilationsöppningarna fria från damm och smuts. Om smutsen inte lossnar lätt, använd en mjuk trasa fuktad med tvållösning. Använd aldrig lösningsmedel såsom bensin, alkohol, ammoniak etc. Dessa lösningsmedel kan skada plastdelarna.

### Smörjning

Det rekommenderas att sugfiltret monteras isär var 50:e drifttimme och att filterelementet rengörs med tryckluft (fig. 15). Det rekommenderas att filterelementet byts ut minst en gång per år om kompressorn arbetar i en ren omgivning; oftare om omgivningen där kompressorn står är dammig. Kompressorn producerar kondensvatten som samlas i tanken. Kondensvatten måste avlägsnas från tanken minst en gång i veckan genom att öppna dräneringskranen (fig. 16) som sitter under tanken. Var försiktig när det finns tryckluft i tanken eftersom vattnet kan komma ut med tryck. Rekommenderat maxtryck 1-2 bar.



Kondensvatten från den oljesmorda kompressorn ska inte hällas ut i avloppet eller i naturen eftersom vattnet innehåller olja.

### Byta/fylla på olja

Kompressorn använder syntetisk olja "SAE 10W30". Komplettt byte av pumpsystemets olja rekommenderas inom de första 100 drifttimmarna.

- Skruva loss dräneringspluggen (mätare) från oljetråget, låt all olja rinna ut och skruva tillbaka pluggen (fig. 17).
- Fyll på olja via det övre hålet på oljetråget (fig. 18) ända tills nivån på mätaren (fig. 8) nås. Kontrollera oljenivån i pumpsystemet varje vecka och fyll på vid behov.

För drift i omgivningstemperaturer på -5°C till +35°C ska syntetolja "SAE 10W30" användas. Syntetisk olja har fördelen att den inte tappar sina egenskaper, varken under sommaren eller vintern.

- Pour assurer un bon fonctionnement à long terme, il est recommandé de faire fonctionner le compresseur sous une charge de 70% au maximum sur une heure.
- Avant de dévisser tout branchement connecté au réservoir, contrôlez que celui-ci est entièrement décompressé.
- Il est interdit de percer des trous dans le réservoir, d'y faire des soudures, ou de le déformer exprès.
- Retirez toujours la fiche de la prise avant d'agir sur le compresseur de quelle façon que ce soit.
- Ne dirigez jamais un jet d'eau ni un jet de matière inflammable sur le compresseur.
- Ne placez aucun objet inflammable à proximité du compresseur.
- Pendant que l'appareil n'est pas en usage, mettez le régulateur de pression sur "0".
- Ne dirigez jamais le jet d'air comprimé sur une personne ni sur un animal (fig. 20).
- Ne transportez jamais le compresseur tandis que le réservoir est sous pression.
- Attention: certaines parties du compresseur, comme le piston et les tuyaux de transmission, peuvent atteindre des températures très élevées. Faites attention à ne pas les toucher pour ne pas vous brûler (fig. 12 - 13).
- Pour transporter le compresseur, soulevez-le sur un chariot ou par les poignées destinées à cet usage.
- Les enfants et les animaux ne doivent pas entrer dans la zone de fonctionnement de l'appareil.
- Si vous utilisez le compresseur pour diffuser de la peinture:
  - a) Ne travaillez pas dans une pièce close, ni à proximité d'une flamme nue.
  - b) Assurez-vous que l'endroit où vous travaillez possède une ventilation adéquate.
  - c) Protégez-vous le nez et la bouche au moyen d'un masque approprié (fig. 12).
- N'utilisez pas le compresseur si le câble d'alimentation ou la fiche est endommagé; faites appel à un service d'entretien reconnu pour les faire remplacer par une pièce d'origine.
- Lorsque le compresseur est placé sur une surface surélevée par rapport au sol, il doit être solidement amarré pour qu'il ne puisse tomber pendant qu'il est en marche.
- Ne mettez pas les mains, ni aucun objet, à l'intérieur des grilles de protection, pour ne pas vous blesser ni endommager le compresseur.
- N'utilisez pas le compresseur comme objet contondant contre des personnes, des animaux ni des objets, pour éviter de graves dommages.
- Si le compresseur n'est plus en usage, débranchez toujours la fiche de la prise.
- Les tuyaux utilisés pour l'air comprimé doivent toujours être adaptés à la pression maximum du compresseur. N'essayez jamais de réparer un tuyau endommagé.

### Electricité et sécurité

#### Règles de mise à la terre

Le présent compresseur doit être mis à la terre pendant l'utilisation pour ne pas exposer l'utilisateur au risque d'un choc électrique. Le compresseur est équipé d'un câble à deux âmes plus un fil de terre. Le branchement électrique doit être effectué par un technicien qualifié. Nous déconseillons de jamais démonter du compresseur, ainsi que de brancher d'autres connexions sur le régulateur de pression. Les réparations doivent être effectuées par un service d'entretien reconnu ou par un autre centre qualifié.



N'oubliez jamais que le fil de terre est le fil vert ou jaune/vert. Ne branchez jamais ce fil vert sur une connexion sous tension.

Avant de remplacer la fiche d'alimentation, assurez-vous que le fil de terre est bien mis à la terre. Au moindre doute, faites appel à un technicien qualifié pour faire contrôler la mise à la terre.

### Rallonges

Utilisez uniquement un câble électrique de rallonge avec fiche et mise à la terre, et n'utilisez en aucun cas une rallonge écrasée ou endommagée. Contrôlez le bon état de la rallonge. Pour cet appareil, le câble de rallonge doit avoir un diamètre minimal de 2,5 mm<sup>2</sup> (pour une longueur maximale de 20 m). Déroulez toujours entièrement la rallonge avant de l'utiliser.

### Branchement électrique

Contrôlez toujours que la tension à l'entrée de l'appareil est la même que la tension réseau indiquée sur la plaquette de l'appareil. Le compresseur est livré équipé de son câble électrique et d'une fiche à deux broches + terre. Il est très important de brancher le compresseur sur une prise à terre. (fig. 9)



*N'utilisez jamais le fil de terre à la place du neutre. La mise à la terre doit se faire selon les règles de prévention des accidents (EN 60204).*

## 3. UTILISATION



*À usage domestique uniquement.*

**Attention:** Les informations contenues dans ce mode d'emploi ont été rédigées pour aider l'utilisateur à utiliser et à entretenir le compresseur comme il faut. Certaines illustrations dans ce mode d'emploi montrent des détails qui peuvent être différents de ceux de votre compresseur.

### Installation

Sortez le compresseur de son emballage (fig. 1). Contrôlez que tout est en parfait état et qu'il n'y a pas eu de dommages pendant le transport. Puis procédez comme suit. Si les bouchons ne sont pas encore montés, montez-les selon la fig. 2. Installez le compresseur sur une surface plane, ou d'une inclinaison de 10° au maximum (fig.3), dans un endroit bien ventilé, à l'abri des éléments et loin de tout facteur explosif. Si la surface est lisse et inclinée, assurez-vous que le compresseur ne se mettra pas à bouger pendant qu'il est en marche; Si la surface est une planche ou une étagère, assurez-vous que tout est bien fixé et ne peut pas tomber. Pour la ventilation et le refroidissement, il est important que le compresseur se trouve à au moins 100 cm de tout mur (fig. 4).



*Assurez-vous que le compresseur est transporté comme il faut, ne le renversez pas et ne le soulevez pas au moyen de crochets ou de cordes (fig. 5-6).*

Normalt så är tryckskillnaden ungefär 2 bar/29 psi mellan maxvärdet och minimivärdet. Till exempel - Kompressorn stannar när den når 8 bar (116 psi) (det är det maximala arbetstrycket) och startar automatiskt igen när trycket i tanken sjunker till 6 bar (87 psi).



*Topp/cylinder/transmissionsdelar kan uppnå höga temperaturer, var försiktig vid arbete i närheten av delarna och rör inte dessa för att undvika brännskador (fig. 12-13).*

### Justera arbetstrycket

#### Fig. 14

Det är inte nödvändigt att kontinuerligt använda maximalt arbetstryck, tryckluftsverktyg behöver ofta inte så högt tryck. För kompressorer utrustade med en tryckreduceringsventil är det nödvändigt att ställa in rätt arbetstryck. Det går att ställa in arbetstrycket med hjälp av vridknappen på reduceringsventilen.

- Genom att vrida medurs så höjs trycket.
- Genom att vrida moturs så sänks trycket.

Inställt tryck kan låsas genom att vrida ringen under vridknappen i motsatt riktning mot vridknappen och på så vis låsa vridknappen. Inställt tryck visas på reduceringsventilens manometer.

## 4. FEL

### Förlust av lufttryck

- Kan orsakas av en dålig tätad koppling.
  - *Kontrollera alla anslutningar genom att blöta dem med tvål och vatten.*

Kompressorn fungerar men komprimerar inte (fig. 19)

- Kan orsakas av ventilerna (C-C2) eller en trasig packning (B1-B2).
  - *Byt ut den skadade delen.*

### Kompressorn startar inte

Om kompressorn är svår att starta, kontrollera:

- om nätspänningen motsvarar värdet som anges på märkplåten (fig. 10)
- om elektriska förlängningskablar används som har en felaktig ledare eller längd.
- om omgivningens miljö är för kall (under 0°C).
- om det finns olja i oljetråget som garanterar smörjning (fig. 8)
- om det finns elektricitet (stickkontakt ordentligt ansluten, termomagnetisk säkring är hel).

### Kompressorn stänger inte av

Tankens säkerhetsventil aktiveras om kompressorn inte stannar när maximalt tryck uppnås. Kontakta närmaste auktoriserad Support Service för reparation.

### Elektrisk anslutning

Kontrollera alltid att motorns inspänning motsvarar nätspänningen på märkplåten. Kompressorn är försedd med en elkabel och en tvåpolig stickkontakt + jord. Det är viktigt att kompressorn ansluts till ett jordat nätuttag. (Fig. 9)



Använd aldrig jordledaren istället för neutralen (nolledare). Jordning ska utföras i enlighet med olycksförebyggande åtgärder (EN 60204).

## 3. ANVÄNDNING



Endast för hemmabruk.

**Obs:** Informationen i den här manualen har skrivits för att hjälpa operatören att använda och utföra underhåll på denna kompressor. Vissa bilder i manualen visar delar som kan skilja sig från delarna på din kompressor.

### Installation

När kompressorn har tagits ur förpackningen (fig. 1) och du har kontrollerat att den är i perfekt skick samt undersökt att inga skador har uppstått under transporten, ska följande åtgärder utföras. Om ej monterat, montera gummihättorna på tanken enligt anvisningarna i fig. 2. Placera kompressorn på ett plant underlag eller med en maximal lutning på 10° (fig. 3). Utrymmet ska vara välventilerat och skyddat mot atmosfäriska faktorer, och inte en omgivning med explosionsrisk. Om underlaget är jämnt och lutar, kompressorn inte rör sig under drift. Om underlaget är en träskiva eller en skiva i en bokhylla, sätt fast dem ordentlig så att de inte faller ned. Det är viktigt att kompressorn placeras minst 100 cm från väggen (fig. 4) för korrekt ventilation och kylning.



Se till att kompressorn transporteras i rätt position, vänd den inte upp och ned och lyft inte med krokar eller rep (fig. 5-6).

### Viktigt! Före idriftsättning

Ta bort plastlocket från oljetråget. Fyll oljetråget med medföljande olja (250 ml). Mätaren i nederdelen av oljetråget indikerar oljenivån: denna bör nu vara i nivå med den röda prickerna (fig. 7 och 8).

### Starta

- Kontrollera om nätspänningen motsvarar värdet som anges på den elektriska märkplåten (fig. 10), tillåten avvikelse ska vara inom 5 %.
- Vrid knappen som sitter på den övre delen till läget "0" enligt tryckregulator typen som är monterad på enheten (fig. 11).
- Stoppa in stickkontakten i nätuttaget (fig. 9) och starta kompressorn genom att vrid knappen på tryckregulator till läget "1". Kompressorns drift är helt automatisk. Tryckregulatorn stoppar kompressorn när maxvärdet uppnås och startar den igen när trycket sjunker under minimivärdet.

### Important! Avant la mise en service

Ouvrez le bouchon en plastique du carter. Remplissez le carter avec l'huile fournie avec l'appareil (250 ml). L'indicateur de niveau au bas du carter indique le niveau de l'huile: il devrait atteindre maintenant le point rouge (fig. 7 and 8).

### Mise en service

- Contrôlez que la tension de votre réseau est la même que celle qui est indiquée sur la plaquette de l'appareil (fig. 10), la tolérance est de 5%.
- Appuyez sur l'interrupteur placé sur le dessus pour le mettre en position "0", selon le type de régulateur de pression monté sur l'appareil (fig. 11).
- Branchez la fiche sur la prise (fig. 9) et mettez l'interrupteur du régulateur de pression en position "1" pour mettre le compresseur en marche. Le fonctionnement du compresseur est entièrement automatique. Le régulateur de pression arrête le compresseur dès que la valeur maximum est atteinte, et le remet en marche quand la pression baisse en dessous de la valeur minimum. Normalement, la différence entre le maximum et le minimum de pression est d'environ 2 bar. Exemple: le compresseur s'arrête quand la pression atteint 8 bar (la pression de fonctionnement maximale) et se remet en marche automatiquement quand la pression à l'intérieur du réservoir baisse en dessous de 6 bar.



L'ensemble piston/cylindre/tuyau de transmission peut atteindre des températures très élevées; si vous travaillez à proximité de ces pièces, faites attention à ne pas les toucher pour ne pas vous brûler (fig. 12 - 13).

### Réglage de la pression de fonctionnement

#### Fig. 14

Il n'est pas nécessaire d'utiliser toujours la pression de fonctionnement maximum, étant donné qu'une pression moindre suffit souvent pour les outils à air comprimé. Dans le cas des compresseurs équipés d'un réducteur de pression, il est nécessaire de régler correctement la pression de fonctionnement. La pression de fonctionnement se règle au moyen du bouton de réglage sur la soupape de réduction de pression.

- Tournez le bouton dans le sens des aiguilles d'une montre pour augmenter la pression.
- Tournez le bouton en sens inverse des aiguilles d'une montre pour diminuer la pression.

Pour bloquer la pression au point voulu, tournez l'anneau situé sous le bouton de réglage en sens inverse du bouton lui-même, pour l'immobiliser. La pression choisie se lit sur le manomètre monté sur la soupape de réduction de pression.

## 4. PROBLÈMES

### Perte d'air

- Peut être causée par un joint ou une connexion qui fuit.
  - Contrôlez joints et connexion avec de l'eau savonneuse.

## Le compresseur est en marche mais ne charge pas

### Fig 19

- Peut être causé par des dommages au niveau des soupapes (C-C2) ou des joints (B1-B2).
  - *Remplacez la pièce endommagée.*

## Le compresseur ne démarre pas

Si le compresseur démarre mal, contrôlez que:

- la tension du réseau est bien la même que celle de la plaquette de l'appareil (fig. 10)
- les rallonges utilisées ont la longueur et le diamètre prescrits
- la température ambiante est suffisamment élevée (pas moins de 0°C)
- il y a suffisamment d'huile dans le carter pour assurer la lubrification (fig. 8)
- l'alimentation en électricité est assurée (la fiche est correctement branchée, les fusibles magnétothermiques n'ont pas sauté).

## Le compresseur ne s'arrête pas

Si le compresseur ne s'arrête pas une fois que la pression maximum est atteinte, la soupape de sécurité du réservoir entre en fonction. Il faut alors contacter le service d'entretien reconnu pour la réparation.

## 5. ENTRETIEN

### Entretien



*Assurez-vous que la prise est débranchée lors des travaux d'entretien sur le moteur.*

Les machines Ferm ont été conçues pour fonctionner longtemps avec un entretien minimum. Un fonctionnement satisfaisant en continu dépend de l'entretien correct de la machine et d'un nettoyage régulier. Avant d'agir sur le compresseur de quelle façon que ce soit, contrôlez les points suivants:

- L'interrupteur général est en position "0".
- Le régulateur de pression et les interrupteurs du central sont éteints, en position "0".
- Le réservoir d'air comprimé est entièrement décompressé.

### Nettoyage

Nettoyez régulièrement le carter de la machine à l'aide d'un chiffon doux, de préférence après chaque utilisation de cette dernière. Veillez à ce que les grilles d'aération soient exemptes de toutes traces de poussière et de saletés. Pour la saleté difficile, utilisez un chiffon doux imbibé d'eau savonneuse. N'utilisez jamais de solvants tels que l'essence, l'alcool, l'eau amoniacale, etc. En effet, ces types de solvants peuvent abîmer les pièces en plastique.

### Lubrification

Il est recommandé de démonter le filtre d'aspiration toutes les 50 heures de fonctionnement, et de nettoyer le filtre à l'air comprimé (fig. 15). Il est recommandé de remplacer le filtre au moins une fois l'an lorsque le compresseur fonctionne dans un environnement propre, et plus souvent à mesure l'environnement est plus poussiéreux.

- Det är förbjudet att göra hål i tanken, svetsa på den eller avsiktligt deformera den.
- Utför inga åtgärder på kompressorn utan att först ha dragit ut stickkontakten ur nätuttaget.
- Spruta inte vattenstrålar eller strålar med lättantändlig vätska mot kompressorn.
- Placera inte lättantändliga föremål nära kompressorn.
- Vrid tryckregulatorn till läget "0" (OFF=av) under arbetsuppehåll.
- Rikta aldrig luftstrålen mot personer eller djur (fig. 20).
- Transportera inte kompressorn med tryck i tanken.
- Obs: vissa delar av kompressorn såsom cylinderlocket och genomföringsrören kan uppnå höga temperaturer. Rör inte dessa för att undvika brännskador (fig. 12-13).
- Transportera kompressorn genom att lyfta den eller genom att använda specialhandtagen (fig. 5-6).
- Barn och djur ska hållas på långt avstånd från maskinens arbetsområde.
- Om du använder kompressorn för att sprutlackera:
  - a) *Arbeta inte i stängda utrymmen eller nära öppen låga.*
  - b) *Säkerställ att utrymmet där du ska arbeta har ventilation avsett för detta.*
  - c) *Skydda näsa och mun med skyddsmask avsedd för detta ändamål (fig. 21).*
- Använd inte kompressorn om elkabeln eller stickkontakten är skadad, instruera en auktoriserad Support Service att byta ut dem mot originaldelar.
- Om kompressorn är placerad på ett underlag som är högre upp än golvet så ska underlaget säkras så att kompressorn inte kan falla ned under drift.
- För att undvika personskador och skador på kompressorn ska inte föremål eller dina händer placeras på skyddskåporna.
- För att förhindra allvarliga skador får inte kompressorn användas som ett trubbigt redskap mot personer, föremål eller djur.
- Dra alltid ut stickkontakten ur nätuttaget när kompressorn inte används.
- Se alltid till att tryckluftslangar används för tryckluft vilka kännetecknas av ett maximalt tryck som är anpassat till kompressorn. Försök inte reparera slangen om den är skadad.

### Elektrisk säkerhet

#### Jordningsföreskrifter

När kompressorn används måste den vara jordad för att skydda användaren mot elstötar. Kompressorn är utrustad med en tvåledarkabel plus en jordledare. Elektrisk anslutning ska göras av en kvalificerad tekniker. Vår rekommendation är att kompressorn aldrig monteras isär eller att andra anslutningar görs till tryckregulatorn. Reparationer ska utföras av auktoriserad Support Service eller annan kvalificerad verkstad.



*Glöm aldrig att jordledaren är den gröna eller gulgröna ledaren. Anslut aldrig denna ledare till ett belastat uttag.*

Kontrollera att jordkabeln är ansluten innan du byter ut elkabelns stickkontakt. Om du är tveksam, låt en kvalificerad elektriker kontrollera jordningen.

#### Förlängningskabel

Använd endast förlängningskabel med stickkontakt och jord, aldrig en skadad eller platt förlängningskabel. Kontrollera att förlängningskabeln är i gott skick. För den här maskinen ska förlängningskabeln ha ett tvärsnitt på minst 2,5 mm<sup>2</sup> (gäller för längder upp till max 20 meter). Rulla alltid ut kabeln helt innan den används.



11. Luftfilter
12. Oljelock
13. Oljetråg
14. Dräneringskran

## 2. SÄKERHETSFORESKRIFTER

### Teckenförklaring

I denna bruksanvisning används följande symboler:



Läs bruksanvisningen.



I enlighet med säkerhetskraven i tillämpliga Europadirektiv.



Varning! Kompressorn kan återstarta automatiskt då strömmen återställs efter ett strömbrott



Varning! Inuti kompressorn finns det vissa delar som kan uppnå mycket hög temperatur



Anger att det föreligger risk för kroppsskada, livsfara eller risk för skador på maskinen om instruktionerna i denna bruksanvisning inte efterlevs.



Anger elektrisk spänning.



Dra ut stickkontakten ur nätuttaget



Bär hörselskydd.



Åänentehotaso



Skadade och/eller kasserade elektriska och elektroniska apparater ska lämnas in enligt gällande miljöregler.

### Särskilda säkerhetsföreskrifter

- För korrekt drift av maskinen under maximalt arbetstryck bör inte omgivningstemperaturen i ett stängt utrymme överstiga +25°C.
- Det rekommenderas att kompressorn används med en maximal belastningsgrad på 70 % i en timme under full belastning för korrekt funktion av produkten under längre tid.
- Kontrollera att tanken är helt tom innan anslutningar till tanken skruvas loss.

Le compresseur produit de l'eau de condensation, qui s'accumule dans le réservoir. Il faut vider cette eau de condensation au moins une fois par semaine; pour ce faire, ouvrez le robinet de vidange (fig. 16) sous le réservoir. Soyez prudent: s'il y a de l'air comprimé à l'intérieur, l'eau peut jaillir avec une certaine force. La pression maximale recommandée est de 1-2 bar.



L'eau de condensation provenant du compresseur lubrifié à l'huile contient des résidus d'huile et ne doit donc pas être mise à l'égout ni dispersée dans l'environnement.

### Vidange/remplissage d'huile

Le compresseur est livré avec de l'huile synthétique "SAE 10W30". Il est recommandé de faire une vidange d'huile complète de la pompe dans les 100 premières heures de fonctionnement.

- Dévissez le bouchon de vidange (indicateur) sur le couvercle du carter, laissez toute l'huile s'écouler et revissez le bouchon (fig. 17).
- Remplissez le carter d'huile par l'ouverture supérieure du couvercle du carter (fig. 18) jusqu'au niveau marqué sur l'indicateur de niveau (fig. 8). Vérifiez le niveau d'huile de la pompe une fois par semaine et ajoutez de l'huile au besoin.

Lorsque l'appareil fonctionne à une température ambiante de -5°C to +35°C, utilisez de l'huile synthétique "SAE 10W30". L'huile synthétique à l'avantage de ne pas changer de caractéristiques, été ou hiver.



L'huile usagée ne doit jamais être mise à l'égout ni dispersée dans l'environnement.

Pour remplacer l'huile, référez-vous au tableau ci-dessous.

Type d'huile	Heures de fonctionnement
Multigrade SAE 10W30	100 ou après 6 mois

### Dysfonctionnements

Veillez vous adresser au centre de service indiqué sur la carte de garantie en cas d'un dysfonctionnement, par exemple après l'usure d'une pièce. Vous trouverez, à la fin de ce manuel, un schéma avec toutes les pièces que vous pouvez commander.

### Environnement

Pour éviter les dommages liés au transport, la machine est livrée dans un emballage robuste. L'emballage est autant que possible constitué de matériau recyclable. Veuillez par conséquent destiner cet emballage au recyclage.



Tout équipement électronique ou électrique défectueux dont vous seriez débarrassé doit être déposé aux points de recyclage appropriés.

## Garantie

Vous trouverez les conditions de garantie sur la carte de garantie ci-jointe.

## CE DÉCLARATION DE CONFORMITÉ (F)

Nous déclarons sous notre propre responsabilité que ce produit est en conformité avec les normes ou documents normalisés suivants:

*prEN1012-1, prEN1012-2, EN60204-1, EN-12100, ISO5388, EN55014-2, EN61000-3-2, EN61000-3-3*

conforme aux réglementations :

**98/37/CEE, 73/23/CEE, 89/336/CEE, 87/404/EEC**

dès 01-01-2006

**ZWOLLENL**

W. Kamphof  
Quality department

C'est notre politique d'améliorer continuellement nos produits et par conséquent de réserver le droit de changer les instructions des produits sans un avis antérieur.

**Ferm BV • Lingenstraat 6 • 8028 PM Zwolle • Hollande**

## OLJESMORD KOMPRESSOR FCO-1524

*Siffrorna i nedastående text motsvarar bilderna på sidan 2-3.*



*Läs igenom denna bruksanvisning noggrant innan maskinen tas i bruk. Se till att du känner till hur maskinen fungerar och är insatt i hur den skall användas. Följ underhållsinstruktionerna för att maskinen alltid skall fungera på bästa sätt. Förvara denna bruksanvisning och den bifogade dokumentationen vid maskinen.*

### Innehåll

1. Maskindetaljer
2. Säkerhetsföreskrifter
3. Användning
4. Fel
5. Underhåll

## 1. MASKINDETALJER

### Tekniska data

Spänning	230 V~
Frekvens	50 Hz
Effekt	1.5 hk
Nominellt varvtal	2800/min
IP Klass	IP 33
Tankvolym	24 liter
Luftintag	160l/min
Max arbetstryck	8.0 bar
Vikt	27.15 kg
Änmentehotaso	91.0 dB(A)

Värdet för ljudnivån kan stiga med 1 till 10 dB(A) beroende på omgivningen där kompressorn ska installeras.

### Produktinformation

#### Fig. 1

1. Kåpa
2. Handtag
3. Strömbrytare
4. Automatisk stopp
5. Tryckregulator
6. Snabbkoppling (uttag)
7. Tryckmätare (tryckregulator)
8. Tryckmätare (tank)
9. Säkerhetsventil
10. Tryckluftsrör



## Garanzia

Le condizioni della garanzia si possono trovare su una scheda di garanzia allegata separatamente.

## CE DICHIARAZIONE DI CONFORMITÀ (I)

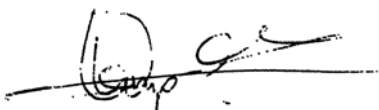
Dichiariamo sotto la nostra piena responsabilità che il prodotto è conforme alle seguenti normative o documenti standardizzati:

**prEN1012-1, prEN1012-2, EN60204-1, EN-12100, ISO5388, EN55014-2, EN61000-3-2, EN61000-3-3**

conforme alle direttive:

**98/37/EEC, 73/23/EEC, 89/336/EEC, 87/404/EEC**

dal 01-01-2006  
**ZWOLLENL**



W. Kamphof  
Ufficio Qualità

La nostra politica è sempre volta a migliorare i nostri prodotti. Prodotti soggetti a modifiche senza preavviso.

**Ferm BV • Lingenstraat 6 • 8028 PM Zwolle • Olanda**

## COMPRESOR DE ACEITE FCO-1524

**Los números contenidos en el texto siguiente se refieren a las ilustraciones de la página 2-3.**



*Lea este manual de instrucciones atentamente antes de empezar a usar la máquina. Asegúrese de que sabe cómo funciona el amolador y cómo se maneja. Siga las instrucciones llevando a cabo las tareas de mantenimiento aquí indicadas para así garantizar el óptimo funcionamiento del aparato. Guarde este manual y la documentación adicional siempre junto a la máquina.*

### Contenidos:

1. Información sobre el equipo
2. Normas de seguridad
3. Uso
4. Averías
5. Mantenimiento

## 1. INFORMACIÓN SOBRE EL EQUIPO

### Especificaciones técnicas

Voltaje	230 V~
Frecuencia	50 Hz
Potencia	1.5 FC
Velocidad en vacío	2800/min
Clase IP	IP 33
Capacidad del tanque	24litros
Entrada de aire	160l/min
Presión de salida máx	8.0 Bar
Peso	27.15 kg
Nivel de potencia acústica	91.0 dB(A)

El valor del nivel de ruido puede incrementarse de 1 a 10 dB(A) en función del ambiente donde se instale el compresor.

### Información del producto

#### Fig. 1

1. Tapa
2. Empuñadura
3. Interruptor
4. Parada automática
5. Regulador de presión
6. Acoplador rápido (boca de salida)
7. Manómetro (regulador de presión)
8. Manómetro (tanque)

9. Válvula de seguridad
10. Tubo de presión
11. Filtro de aire
12. Tapa de aceite
13. Sumidero
14. Llave de desagüe

## 2. NORMAS DE SEGURIDAD

### Explicación de los símbolos

En el presente manual se utilizan los siguientes símbolos:



Lea las instrucciones.



De acuerdo con las normas de seguridad que se aplican en las directrices europeas.



Indica peligro de accidente, de muerte o riesgo de provocar averías en la máquina en caso de no seguir las instrucciones de este manual.



Indica peligro de sufrir descargas eléctricas.



Retire el enchufe de la toma de corriente.



¡Atención! El compresor puede volver a arrancar automáticamente en caso de interrupción generalizada de la corriente y tras da misma



¡Cuidado! En el compresor algunas partes podrían alcanzar temperaturas elevadas



Utilice un mecanismo para proteger los oídos.



Nivel de potencia acústica



Tout équipement électronique ou électrique défectueux dont vous seriez débarrassé doit être déposé aux points de recyclage appropriés.

### Normas de seguridad específicas

- Para el correcto funcionamiento del equipo a carga completa continua y bajo máxima presión de funcionamiento, asegúrese de que la temperatura del lugar de trabajo en área cerrada no supera los +25°C.

Si raccomanda di sostituire la cartuccia del filtro almeno una volta l'anno se il compressore opera in un ambiente pulito, o più spesso se l'ambiente in cui il compressore si trova è polveroso. Il compressore produce acqua di condensa che si raccoglie all'interno del serbatoio. È necessario rimuovere l'acqua condensata nel serbatoio almeno una volta a settimana aprendo il rubinetto di drenaggio (fig. 16) sotto il serbatoio. Prestare attenzione se dell'aria compressa si trova nel serbatoio, perché l'acqua può uscire con una certa forza. Pressione massima raccomandata 1-2 Bar.



L'acqua di condensa del compressore lubrificato ad olio non deve essere smaltita nelle condutture di scarico o nell'ambiente, poiché contiene olio usato.

### Sostituzione/rabbocco dell'olio

Il compressore è stato dotato di olio sintetico "SAE 10W30". Si raccomanda di sostituire tutto l'olio del sistema pompante entro le prime 100 ore di funzionamento.

- Svitare il dado di drenaggio (indicatore) sul bordo del carter, far uscire tutto l'olio e riavvitare il dado (fig. 17).
- Versare l'olio tramite il foro superiore del carter (fig. 18) fino al raggiungimento del livello indicato sull'indicatore (fig. 8). Controllare il livello dell'olio del sistema della pompa ogni settimana e se necessario riportare a livello.

Per l'impiego con temperature ambiente tra -5°C e +35°C usare olio sintetico "SAE 10W30". L'olio sintetico ha il vantaggio di non perdere le sue caratteristiche né d'estate né d'inverno.



Non smaltire l'olio esausto nelle fognature e non disperderlo nell'ambiente.

Per la sostituzione dell'olio osservare la tabella seguente.

Tipo olio	Ore di moto
Multigrade SAE 10W30	100 o 6 ore

### Riparazioni e commercianti

Se si presentano problemi a causa di, per esempio, usura di una parte della sega, si prega di contattare il servizio di assistenza all'indirizzo riportato sulla scheda di garanzia.

### Ambiente

Per evitare che si danneggi durante il trasporto, la macchina è imballata in un contenitore resistente. La maggior parte dei componenti dell'imballaggio sono riciclabili. Portare tali materiali presso gli appositi centri di riciclaggio.



Strumenti elettrici e/o elettronici difettosi o usurati devono essere smaltiti in appropriate aree di riciclaggio.

## Il compressore va in moto ma non comprime

### Fig. 19

- Può essere dovuto alla rottura delle valvole (C-C2) o di una guarnizione (B1-B2).
  - *Sostituire la parte danneggiata.*

## Il compressore non si mette in moto

Se il compressore parte con difficoltà controllare:

- se il voltaggio della corrente di rete corrisponde a quello della targhetta delle specifiche (fig. 10)
- se i cavi elettrici di prolunga in uso presentano una sezione o lunghezza errata
- se l'ambiente operativo è troppo freddo (sotto 0°C)
- se nel carter è presente olio sufficiente a garantire la lubrificazione (fig. 8)
- se l'alimentazione di rete è disponibile (spina inserita correttamente, interruttori magnetotermici non aperti).

## Il compressore non si ferma

Se il compressore non si spegne al raggiungimento della temperatura massima, la valvola di sicurezza di sicurezza del serbatoio si attiva. In tal caso è necessario contattare il più prossimo centro di Servizio di assistenza per la riparazione.

## 5. MANUTENZIONE

### Manutenzione



*Assicurarsi che la spina sia scollegata dalla corrente quando si fanno lavori di manutenzione sul motore.*

Le macchine Ferm sono state progettate per funzionare a lungo con una manutenzione minima. Un funzionamento continuo soddisfacente dipende dalla giusta attenzione che si dà alla macchina e da una pulizia regolare.

### Pulizia

Pulire regolarmente la carcassa della macchina con un panno morbido, preferibilmente dopo ogni uso. Mantenere le fessure di ventilazione libere da polvere e sporcizia. Se la sporcizia non si toglie, usare un panno morbido imbevuto di acqua saponata. Non usare mai solventi come petrolio, alcool, ammoniaca, ecc. Questi solventi possono danneggiare le parti in plastica.

Prima di interferire in qualsiasi modo con il compressore, si prega di accertare che:

- L'interruttore generale sia posizionato su "0".
- Il regolatore di pressione e gli interruttori sul pannello di controllo siano spenti trovandosi sulla posizione "0".
- Il serbatoio dell'aria sia totalmente scarico.

### Lubrificazione

Si raccomanda di smontare il filtro d'aspirazione ogni 50 ore di funzionamento e di pulire l'elemento del filtro soffiandovi con aria compressa (fig. 15).

- Se si raccomanda usare il compressore con un massimo di operabilità del 70% durante una ora a carica completa; lo si fa per permettere il corretto funzionamento del prodotto nel tempo.
- Verificare che il tanque è completamente libero di pressione prima di distorcere qualsiasi connessione.
- È proibito perforare, saldare o deformare intenzionalmente il tanque di aria compressa.
- Non eseguire nessuna attività sul compressore senza prima aver disconnesso il primo il cavo di alimentazione elettrica.
- Non dirigere getti d'acqua o di liquidi infiammabili verso il compressore.
- Non collocare oggetti infiammabili vicino al compressore.
- Collocare il pulsante di regolazione della pressione nella posizione "0" (OFF = spento) durante le pause di funzionamento.
- Non dirigere mai il getto d'aria verso persone o animali (fig. 20).
- Non trasportare il compressore con il tanque pressurizzato.
- Nota: alcune parti del compressore come il coperchio e i tubi di alimentazione diretta possono raggiungere alte temperature. Non toccare queste parti per evitare ustioni (fig. 12 - 13).
- Trasportare il compressore utilizzando una carrellina elevatrice o mediante le maniglie speciali (fig. 5 - 6).
- Mantenere a distanza i bambini e gli animali dal campo di lavoro del compressore.
- Se si usa il compressore per dipingere a pressione:
  - a) *Non lavorare in aree chiuse o vicino al fuoco.*
  - b) *Assicurarsi che l'area di lavoro sia adeguatamente ventilata.*
  - c) *Proteggere il naso e la bocca con una maschera appropriata (fig. 21).*
- Non usare il compressore se il cavo di alimentazione o il cavo di alimentazione sono danneggiati. Rivolgersi a un servizio autorizzato che lo sostituisca con una parte di ricambio originale.
- Quando il compressore è collocato su una superficie più alta che il suolo, si dovrà assicurarsi per evitare che si cada mentre è in funzione.
- Non introdurre nessun oggetto, né le mani nelle coperture di protezione per evitare lesioni fisiche e danni al compressore.
- Non usare il compressore per colpire persone, oggetti o animali; evitare danni e lesioni gravi.
- Sempre che non si stia usando il compressore, rimuovere il cavo di alimentazione elettrica.
- Assicurarsi di usare sempre per l'aria compressa tubi pneumatici adeguati per la pressione massima che permette il compressore. Non tentare di riparare i tubi pneumatici se sono danneggiati.

### Seguridad eléctrica

#### Normas de conexión a tierra

A fin de proteger al operador del equipo contra descargas eléctricas, este compresor requiere de conexión a tierra mientras está en uso. El compresor está provisto de un cable de dos hilos con tierra. La conexión eléctrica debe ser ejecutada por un técnico cualificado.

Recomendamos no desensamblar nunca el compresor, ni hacer ninguna otra conexión en el regulador de presión. Todas las reparaciones deberán ser ejecutadas por Servicios de Soporte autorizados o por otros centros cualificados.



No olvide nunca que la masa es el cable verde o amarillo/verde. No conecte nunca este cable a un terminal que esté bajo carga eléctrica.

Antes de sustituir la clavija de alimentación, asegúrese de que el cable de masa está conectado. Si lo duda, llame a un electricista cualificado para que revise la puesta a tierra.

#### Cables de extensión

Use únicamente cables de extensión con clavija y masa, no use nunca cables de extensión dañados o aplastados. Revise que el cable de extensión esté en buenas condiciones. Para este equipo, el cable de extensión debe tener un diámetro de 2,5 mm<sup>2</sup> como mínimo (esto aplica para una longitud máxima de 20 metros). Antes de usar un cable de extensión desenróllelo siempre completamente.

#### Conexión eléctrica

Verifique siempre si el voltaje de entrada del motor corresponde con el voltaje de la fuente de alimentación indicado en la placa de especificaciones. Los compresores están provistos de un cable eléctrico y un enchufe bipolar + masa. Es importante conectar el compresor a una toma con conexión a tierra. (fig. 9)



¡Atención! No use nunca el hilo de masa en lugar del neutral (cable 0). La puesta a tierra debe llevarse a cabo de acuerdo con las normas de prevención de accidentes (EN 60204).

### 3. USO



Para uso doméstico únicamente.

**Nota:** La información consignada en este manual tiene como fin servir de ayuda al operador para el uso y mantenimiento del compresor. Algunas ilustraciones contenidas en el manual muestran detalles que pueden variar en comparación con los de su compresor.

#### Instalación

Después de haber sacado el compresor del embalaje (fig. 1) y haber verificado que está en perfectas condiciones y que no ha sufrido daños durante el transporte, proceda como sigue. Instálele las tapón de caucho en el tanque tal como lo indican las instrucciones representadas en la fig. 2. Coloque el compresor sobre una superficie plana o con una pendiente máxima de 10° (fig.3), en un lugar bien ventilado, protegido de factores atmosféricos y donde no haya peligro de explosión. Si la superficie es inclinada y resbalosa, asegúrese de que el compresor no se mueva mientras está en uso. Si la superficie es un tablón o una estantería, asegúrese de que no puede caerse sujetándola adecuadamente. Para garantizar una ventilación correcta y un enfriamiento eficaz es importante que el compresor se instale, como mínimo, a una distancia de 100 cm de la pared (fig. 4).



Accertarsi che il compressore venga sempre trasportato in modo corretto, non capovolgerlo e non sollevarlo con ganci o corde (fig. 5-6).

#### Importante! Prima di mettere in opera

Rimuovere il cappuccio di plastica dal tappo del carter. Riempire il carter con l'olio in dotazione (250 ml). L'indicatore alla base del carter indica il livello dell'olio: esso deve venire a coincidere con il punto rosso (fig. 7 e 8).

#### Avviamento

- Controllare che la tensione di rete corrisponda a quella indicata sulla targhetta delle specifiche elettriche (fig. 10); la gamma di tolleranza consentita deve essere entro il 5%.
- Premere l'interruttore situato nella parte superiore nella posizione "0" secondo il regolatore di pressione montato sul dispositivo (fig. 11).
- Inserire la spina nella presa elettrica (fig. 9) e avviare il compressore posizionando l'interruttore nella posizione "I". Il funzionamento del compressore è completamente automatico. Il regolatore di pressione ferma il compressore al raggiungimento del valore massimo e lo riavvia quando la pressione scende sotto al valore minimo. Normalmente la differenza di pressione tra il valore del massimo e quello del minimo è di circa 2 Bar/29 psi. Esempio - Il compressore si ferma quando raggiunge gli 8 Bar (116 psi) (questa è la pressione di funzionamento massima) e si avvia automaticamente quando nel serbatoio la pressione scende a 6 Bar (87 psi).



L'assieme testata/cilindro/tubo di trasmissione può raggiungere temperature elevate: prestare attenzione quando si lavora nei pressi di queste parti e non toccarle per evitare bruciature (fig. 12-13).

#### Regolare la pressione di funzionamento

##### Fig. 14

Non è necessario utilizzare sempre la pressione di funzionamento massima; gli utensili ad aria compressa richiedono spesso una pressione meno elevata. Con riguardo ai compressori dotati di riduttore di pressione, è necessario impostare la pressione di funzionamento in modo appropriato. È possibile impostare la pressione di funzionamento utilizzando la manopola girevole sul riduttore.

- Ruotandola in senso orario la pressione viene aumentata.
- Ruotandola in senso antiorario la pressione viene diminuita.

La pressione impostata può essere mantenuta ferma girando l'anello sotto la manopola girevole in direzione opposta rispetto alla manopola stessa, in modo da bloccare quest'ultima. La pressione impostata è visibile sul manometro del riduttore di pressione.

### 4. PROBLEMI

#### Perdita d'aria

- Può essere causata da una tenuta o una connessione carente.
  - Controllare tutte le connessioni bagnandole con acqua e sapone.



*Non dimenticare che il conduttore di messa a terra è il filo verde o giallo/verde. Non collegare mai questo filo verde ad un terminale sotto tensione.*

Prima di sostituire la spina di alimentazione accertarsi che il cavo di messa a terra sia collegato. In caso di dubbio si prega di consultare un elettricista qualificato per far controllare la messa a terra.

### **Cavi di prolunga**

Utilizzare esclusivamente cavi di prolunga provvisti di prese e messa a terra, e non utilizzare mai cavi danneggiati o schiacciati. Controllare che il cavo di prolunga sia in buone condizioni. Per questo dispositivo è necessario un cavo di prolunga con una sezione di almeno 2,5 mm<sup>2</sup> (per una lunghezza massima di 20 metri). Svolgere completamente i cavi di prolunga prima di utilizzarli.

### **Collegamento elettrico**

Controllare sempre che la tensione in ingresso sul motore corrisponda alla tensione di rete indicata sulla targhetta delle specifiche. Il compressore è dotato di un cavo elettrico e di una spina bipolare con presa di terra. È importante che il compressore sia collegato ad una presa con messa a terra. (fig. 9)



*Non usare mai il cavo di terra al posto del neutro (conduttore 0). La messa a terra deve essere effettuata in modo conforme alle normative per la prevenzione degli incidenti (EN 60204).*

## **3. USO**



*Esclusivamente per uso domestico.*

**NB.:** Le informazioni incluse in questo manuale sono state scritte allo scopo d'assistere l'operatore nell'uso e l'impiego del compressore. Alcune illustrazioni di questo manuale mostrano dettagli che possono differire da quelli del compressore.

### **Installazione**

Dopo aver estratto il compressore dalla sua confezione (fig. 1) ed avere controllato che si trovi in condizioni perfette ed aver verificato che non si siano verificati danni durante il trasporto, eseguire le operazioni seguenti. Se non sono ancora montate, montare le cappuccio in gomma sul serbatoio secondo le istruzioni illustrate in figura 2. Posizionare il compressore su una superficie piana o con un'inclinazione massima di 10° (fig. 3), in una zona ben ventilata, protetta dagli agenti atmosferici e priva di esplosivi nei dintorni. Se l'area della superficie è liscia ed inclinata, assicurarsi che il compressore non possa muoversi durante il funzionamento. Se l'area della superficie è una tavola o uno scaffale, accertarsi che questi non possa cadere assicurandolo in maniera appropriata. Per assicurare una ventilazione adeguata e un raffreddamento efficiente è importante che il compressore si trovi ad almeno 100 cm di distanza dalla parete più vicina (fig. 4).



*Asegúrese de transportar el compresor en la forma correcta, no lo ponga boca arriba, ni lo levante con ganchos o cuerdas (fig. 5-6).*

### **Importante! Antes de la puesta en marcha**

Retire el tapón plástico del depósito de aceite. Llene el depósito con el aceite suministrado (250 ml). El medidor colocado en el fondo del depósito indica el nivel de aceite: éste deberá mostrar ahora el nivel del punto rojo (fig. 7 y 8).

### **Puesta en marcha**

- Verifique que el voltaje de alimentación corresponda con el indicado en la placa de especificaciones eléctricas (fig. 10), el rango de tolerancia permitido deberá ser del 5%.
- Presione el interruptor que se encuentra situado en la parte superior en la posición "0" según el tipo de regulador de presión instalado en el aparato (fig. 11).
- Conecte el enchufe en la toma (fig. 9) y ponga en marcha el compresor colocando el interruptor del regulador de presión en la posición "I". El funcionamiento del compresor es totalmente automático. El regulador de presión hará detener el compresor cuando se haya alcanzado el valor máximo y volverá a ponerlo en marcha cuando la presión haya descendido por debajo del valor mínimo. Por lo general, la diferencia entre la presión máxima y mínima es de 2 Bar/29 psi aproximadamente. Por ejemplo - El compresor se detendrá cuando alcance 8 Bar (116 psi) (esta es la presión máxima de funcionamiento) y volverá a ponerse en marcha automáticamente cuando la presión en el tanque se haya reducido a 6 Bar (87 psi).



*La unidad compuesta por cabezal/cilindro/tubo de transmisión puede alcanzar altas temperaturas, por eso, tenga cuidado cuando trabaje cerca a estas partes y no las toque para evitar quemaduras (fig. 12 - 13).*

### **Ajuste de la presión de funcionamiento**

#### **Fig. 14**

No es necesario usar continuamente la máxima presión de funcionamiento; por lo general, las herramientas de aire comprimido requieren una presión menor. Para los casos en que el compresor viene provisto de una válvula de reducción de la presión, es necesario fijar la presión de funcionamiento correctamente. Es posible ajustar la presión de funcionamiento mediante el botón giratorio ubicado en la válvula de reducción.

- Si gira el botón en el sentido de las manecillas del reloj, aumentará la presión.
- Si lo gira en el sentido contrario al de las manecillas del reloj, se reducirá la presión.

Una vez haya fijado la presión, bloquee el mecanismo girando el anillo que encuentra debajo del botón giratorio en la dirección opuesta al botón de manera que éste no pueda moverse. La presión ajustada se visualiza en el manómetro de la válvula de reducción.

## 4. AVERÍAS

### Pérdida de aire

- Puede ser originado por el mal sellamiento de una conexión.
  - *Revise todas las conexiones humedeciéndolas con agua y jabón.*

### El compresor funciona, pero no comprime

#### Fig. 19

- Puede ser originado por el rompimiento de las válvulas (C-C2) o de la empaquetadura (B1-B2).
  - *Sustituya las partes defectuosas.*

### El compresor no arranca.

Si el compresor presenta dificultad para arrancar, verifique:

- Si el voltaje de la fuente de alimentación corresponde con el voltaje indicado en la placa de especificaciones (fig. 10).
- Si está usando cables de extensión eléctrica con el diámetro o la longitud incorrecta.
- Si el ambiente en que está trabajando es demasiado frío (inferior a 0°C).
- Si hay aceite en el depósito para garantizar la lubricación (fig. 8).
- Si hay suministro eléctrico (enchufe conectado correctamente, magnetotérmicos y fusibles en buenas condiciones).

### El funcionamiento no se interrumpe

Si el funcionamiento del compresor no se interrumpe al alcanzar la máxima presión, se activará la válvula de seguridad del tanque. Es necesario ponerse en contacto con el Servicio Autorizado para su reparación.

## 5. MANTENIMIENTO

### Mantenimiento



*Asegúrese de que la clavija se retira de la corriente cuando se vaya a realizar la reparación del motor.*

Las máquinas Ferm han sido creadas para funcionar durante un gran periodo de tiempo con un mantenimiento mínimo. El funcionamiento continuo y satisfactorio depende del cuidado de la máquina y de la limpieza continua. Antes de iniciar cualquier labor de mantenimiento al compresor, asegúrese de que:

- El conmutador de línea general está en la posición "0".
- El regulador de la presión y los interruptores del panel de control están colocados en la posición "0" (apagados).
- El tanque de aire está completamente libre de presión.

### Limpieza

Limpie con regularidad la carcasa de la máquina con un paño suave, preferiblemente después de cada uso. Mantenga las ranuras de ventilación libres de polvo y suciedad.

- Si recomienda de usar el compresor con un empleo máximo del 70% en un'ora di lavoro a pieno carico, per assicurare il corretto funzionamento del prodotto nel tempo.
- Controllare che il serbatoio sia totalmente scarico prima svitare i connettori del serbatoio.
- È vietato praticare fori o saldature o distorcere intenzionalmente il serbatoio d'aria compressa.
- Non eseguire alcuna azione sul compressore senza avere prima estratto la spina dalla presa di corrente.
- Non puntare il getto d'aria o di liquidi infiammabili verso il compressore.
- Non collocare oggetti infiammabili nei pressi del compressore.
- Mettere il regolatore di pressione sulla posizione "0" (OFF = spento) durante le pause.
- Non puntare il getto d'aria su persone o animali (fig. 20).
- Non trasportare il compressore con il serbatoio sotto pressione.
- N.B.: alcune parti del compressore come la testata e i tubi d'alimentazione possono raggiungere temperature elevate. Non toccare tali parti per evitare scottature (fig. 12-13).
- Trasportare il compressore sollevandolo o utilizzando i manici o appigli appositamente concepiti (fig. 5-6).
- Bambini ed animali devono essere tenuti lontani dall'area di funzionamento dell'apparecchio.
- Se si fa uso del compressore per dipingere a spruzzo:
  - a) *Non lavorare in spazi chiusi o nei pressi di fiamme vive.*
  - b) *Accertarsi che l'ambiente in cui si intende lavorare sia dotato di una ventilazione dedicata.*
  - c) *Proteggere naso e bocca con una maschera apposita (fig. 21).*
- Non usare il compressore se il cavo o la spina elettrica sono danneggiati, e richiedere al personale del Servizio Assistenza autorizzato di sostituirli con ricambi originali.
- Quando il compressore è collocato su una superficie più elevata del pavimento, esso deve essere assicurato in modo che non possa cadere durante l'uso.
- Non mettere oggetti né le mani all'interno delle coperture di protezione, per evitare lesioni fisiche e danni al compressore.
- Non usare il compressore come strumento smussato verso persone, oggetti o animali, per evitare danni gravi.
- Quando si interrompe l'uso del compressore, disinserire sempre la spina dalla presa elettrica.
- Accertarsi sempre che per l'aria compressa siano usati tubi flessibili per aria compressa e che questi siano specificamente designati per una pressione adeguata a quella del compressore. Non cercare di riparare un flessibile se danneggiato.

### Sicurezza elettrica

#### Norme di messa a terra

Questo compressore deve essere collegato alla terra durante l'uso in modo da proteggere l'operatore dalle scosse elettriche. Il compressore è dotato di un cavo a due conduttori più messa a terra. Il collegamento elettrico deve essere eseguito da un tecnico qualificato. Si raccomanda di non smontare mai il compressore e di non effettuare mai altre connessioni nel regolatore di pressione. Le riparazioni devono essere eseguite esclusivamente da Servizi di assistenza autorizzati o da altri centri qualificati.



10. Tubo pressione
11. Filtro aria
12. Tappo olio
13. Carter
14. Rubinetto di scarico

## 2. NORMATIVE DI SICUREZZA

### Spiegazione dei simboli

In questo manuale vengono usati i seguenti simboli:



Leggere prima le istruzioni per l'uso.



Conforme alle condizioni di sicurezza delle rilevanti direttive europee.



Indica il rischio di lesioni fisiche, di morte o di danneggiamento dell'utensile in caso di mancata osservanza delle istruzioni di questo manuale.



Indica rischio di scossa elettrica.



Estrarre la spina dalla presa di corrente



Attenzione il compressore potrebbe ripartire in caso di black-out e successivo ripristino di tensione



Attenzione nel compressore ci sono alcune parti che potrebbero raggiungere temperature elevate



Usare protezione uditiva.



Livello di potenza sonora



Strumenti elettrici e/o elettronici difettosi o usurati devono essere smaltiti in appropriate aree di riciclaggio.

### Normative speciali di sicurezza

- Per l'uso corretto dell'apparecchio con un pieno carico continuo con pressione operativa massima, accertarsi che la temperatura dell'ambiente di lavoro nella zona circostante non sia superiore ai +25°C.

Si la suciedad no sale, utilice un paño suave humedecido con agua con jabón. Nunca utilice disolventes como gasolina, alcohol, amoníaco, etc, ya que estas sustancias pueden dañar las piezas de plástico.

### Lubrificación

Se recomienda retirar el filtro de succión tras cada 50 horas de funcionamiento y limpiar la unidad del filtro soplando con aire comprimido (fig. 15). Se recomienda que la unidad del filtro sea sustituida al menos una vez al año si el compresor se usa en ambientes limpios y con mayor frecuencia si está expuesto al polvo. El compresor produce vapor de agua que se acumula en el tanque. Es necesario remover agua condensada en el tanque al menos una vez por semana abriendo la llave de purga (fig. 16) que está debajo del tanque. Tenga cuidado si hay aire comprimido en la botella pues el agua puede salir con gran fuerza. Presión máxima recomendada 1-2 Bar.



*El agua condensada del compresor no debe verterse en el alcantarillado ni en la naturaleza ya que contiene restos de aceite.*

### Cambio/recarga de aceite

El compresor se suministra con aceite sintético "SAE 10W30". Se recomienda cambiar completamente el aceite del sistema de bombeo dentro de las 100 primeras horas de funcionamiento.

- Destornille el tapón de drenaje (medidor) del depósito de aceite, deje salir todo el aceite y vuelva a atornillar el tapón (fig. 17).
- Vierta el aceite a través del orificio colocado en la parte superior del tanque (fig. 18) hasta alcanzar el nivel indicado en el medidor (fig. 8). Verifique el nivel del aceite del sistema de bombeo cada semana y recárguelo si es necesario.

Use aceite sintético "SAE 10W30" si el compresor va a funcionar en ambientes con temperaturas de -5°C a +35°C. El aceite sintético tiene la ventaja de que no pierde sus características, ni en el verano, ni en el invierno.



*El aceite usado no debe verterse en el alcantarillado ni en la naturaleza.*

Tenga en cuenta el siguiente cuadro cuando vaya a cambiar el aceite.

Tipo de aceite	Horas de funcionamiento
Aceite multigrado SAE 10W30	100 o seis meses

### Averías

Si se presenta una avería, por ejemplo, por el desgaste de una pieza, póngase en contacto con el proveedor de servicios indicado en la tarjeta de garantía. En el dorso de este manual encontrará un amplio resumen de las partes de recambio que se pueden ordenar.

### Uso ecológico

Para prevenir los daños durante el transporte, el aparato ha sido embalado. Dicho embalaje está hecho, en la medida de lo posible, de material reciclable. Le rogamos, por lo tanto, que recicle dicho material.



Cualquier aparato eléctrico o electrónico desechado y/o defectuoso tiene que depositarse en los lugares apropiados para ello.

### Garantía

Las condiciones de garantía las encontrará en una tarjeta de garantía que se adjunta por separado.

## CE DECLARACIÓN DE CONFORMIDAD (E)

Declaramos que, bajo nuestra única responsabilidad, este producto está conforme con los siguientes estándares o documentos estándar:

prEN1012-1, prEN1012-2, EN60204-1, EN-12100, ISO5388, EN55014-2, EN61000-3-2, EN61000-3-3

de acuerdo con las directivas:

98/37/CEE, 73/23/CEE, 89/336/CEE, 87/404/EEC

del 01-01-2006

ZWOLLENL

W. Kamphof  
Quality department

Es nuestra política mejorar continuamente nuestros productos y por tanto nos reservamos el derecho a cambiar las características del producto sin previo aviso.

Ferm BV • Lingenstraat 6 • 8028PM Zwolle • Holanda

## COMPRESSORE AD OLIO FCO-1524

*I numeri presenti nel seguente testo si riferiscono alle immagini a pag.2 - 3.*



Prima di usare l'apparecchio leggere attentamente questo manuale. Assicurarsi di sapere come funziona l'apparecchio e come lo si manovra. Effettuare la manutenzione dell'apparecchio secondo le istruzioni per garantirne il corretto funzionamento. Conservare questo manuale e le istruzioni allegate insieme all'apparecchio.

### Contenuto

1. Dettagli dell'apparecchio
2. Normative sulla sicurezza
3. Uso
4. Guasti
5. Manutenzione

## 1. DETTAGLI DELL'APPARECCHIO

### Specifiche tecniche

Tensione	230 V ~
Frequenza	50 Hz
Capacità	1.5 CV
Regime a vuoto	2800/min
Codice categoria	IP 33
Capienza serbatoio	24 litri
Presa d'aria	160l/min
Pressione max. uscita	8.0 Bar
Peso	27.15 kg
Livello di potenza sonora	91.0 dB(A)

La misura del livello di rumore può passare da 1 a 10 dB(A) in funzione dell'ambiente in cui il compressore verrà installato.

### Informazioni sul prodotto

#### Fig. 1

1. Rivestimento
2. Maniglia
3. Interruttore
4. Arresto automatico
5. Regolatore di pressione
6. Accoppiatore rapido (uscita)
7. Manometro (regolatore di pressione)
8. Manometro (serbatoio)
9. Valvola di sicurezza



Os aparelhos eléctricos ou electrónicos avariados e/ou eliminados têm de ser recolhidos nos pontos de reciclagem adequados.

#### Garantia

As condições da garantia podem ser encontradas no cartão da garantia em separado.

### CE DÉCLARAÇÃO DE CONFORMIDADE (P)

Declaramos sob nossa única responsabilidade que este produto está em conformidade com as seguintes normas e documentos normalizados:

**prEN1012-1, prEN1012-2, EN60204-1, EN-12100, ISO5388, EN55014-2, EN61000-3-2, EN61000-3-3**

de acordo com os regulamentos:

**98/37/EEC, 73/23/EEC, 89/336/EEC, 87/404/EEC**

de dal 01-01-2006

**ZWOLLENL**

W. Kamphof  
Quality department

É nossa política continuarmos a melhorar os nossos produtos e, assim, reservamo-nos o direito de alterar a especificação do produto sem notificação prévia.

**Ferm BV • Lingenstraat 6 • 8028 PM Zwolle • Holanda**

## COMPRESSOR À BASE DE ÓLEO FCO-1524

Os números no texto seguinte correspondem às figuras na página 2-3.



Leia cuidadosamente este manual de instruções antes de utilizar a máquina. Certifique-se que sabe perfeitamente como é que a máquina funciona e como deverá ser utilizada. Mantenha a máquina de acordo com as instruções de manutenção relevantes para garantir que a mesma se encontra sempre em boas condições de funcionamento. Mantenha este manual e a documentação incluída junto da máquina.

#### Conteúdos

1. Detalhes da máquina
2. Regras de segurança
3. Utilização
4. Falhas
5. Manutenção

### 1. DETALHES DA MÁQUINA

#### Dados técnicos

Voltagem	230 V~
Frequência	50 Hz
Capacidade	1.5 CV
Rotações em vazio	2800/min
Classe IP	IP 33
Volume do depósito	24 litros
Admissão de ar	160 l/min
Pressão máx. de saída	8.0 Bar
Peso	27.15 kg
Nível de potência sonora	91.0 dB(A)

O valor do nível de ruído pode aumentar de 1 a 10 dB(A) em função do ambiente em que o compressor vai ser instalado.

#### Informações sobre o produto

##### Fig. 1

1. Tampa
2. Pega
3. Interruptor
4. Paragem automática
5. Regulador de pressão
6. Acoplador rápido (saída)
7. Indicador de pressão (regulador de pressão)
8. Indicador de pressão (depósito)

9. Válvula de segurança
10. Tubo de pressão
11. Filtro de ar
12. Tampa do óleo
13. cárter
14. Válvula de escoamento

## 2. REGRAS DE SEGURANÇA

### Explicação dos símbolos

Os símbolos que se seguem são usados ao longo deste manual:



Ler as indicações de uso.



Em conformidade com as normas de segurança aplicáveis e essenciais das directivas europeias.



Indica um risco de acidentes pessoais, perda da vida humana ou eventuais danos na ferramenta em caso de não cumprimento das instruções contidas neste manual.



Indica um risco de choque eléctrico



Retire a ficha da tomada



Atenção, o compressor pode arrancar automaticamente depois de uma falha de corrente eléctrica e sucessiva ligação da mesma



Atenção, no compressor existem algumas partes que poderão atingir temperaturas elevadas



Usar proteção auditiva.



Nível de potência sonora



Os aparelhos eléctricos ou electrónicos avariados e/ou eliminados têm de ser recolhidos nos pontos de reciclagem adequados.

### Regras de segurança especiais

- Para uma operação correcta da máquina com uma carga contínua completa sob a pressão de operação máxima, certifique-se de que a temperatura do ambiente de trabalho numa área fechada não é superior a +25°C.

### Lubrificação

Recomenda-se a desmontagem do filtro de sucção em cada 50 horas de operação e que limpe o elemento do filtro soprando-o com ar comprimido (fig. 15). Recomenda-se que o elemento do filtro seja substituído pelo menos uma vez por ano se o compressor estiver a trabalhar num ambiente limpo; e deve ser limpo com maior frequência se o ambiente em que o compressor se encontrar for poeirento. O compressor forma água condensada que é recolhida num depósito. É necessário retirar a água condensada do depósito pelo menos uma vez por semana abrindo a válvula de drenagem (fig. 16) por baixo do depósito. Tenha cuidado quando o ar comprimido estiver na garrafa porque a água pode sair com muita força. A pressão máxima recomendada é de 1-2 Bar.



A água condensada do compressor lubrificado com óleo não deverá ser deitada nos esgotos ou no ambiente porque contém óleo.

### Mudar o óleo/encher com óleo

O compressor é fornecido com óleo sintético "SAE 10W30". Recomenda-se que mude completamente o óleo do sistema da bomba dentro das primeiras 100 horas de operação.

- Desenrosque o bujão de drenagem (indicador de nível) na tampa do cárter, deixe todo o óleo correr para fora e volte a enroscar o bujão (fig. 17).
- Introduza o óleo através do orifício superior da tampa do cárter (fig. 18) até que o nível indicado no indicador de nível (fig. 8) seja alcançado. Verifique o nível do óleo do sistema da bomba todas as semanas e, se for necessário, adicione óleo.

Para operação sob temperaturas ambiente de -5°C a +35°C use óleo sintético "SAE 10W30". O óleo sintético tem a vantagem de não perder as suas características, tanto no período de Verão como no período de Inverno.



Não deverá deitar o óleo usado no esgoto ou no ambiente.

Para mudar o óleo deve seguir a tabela abaixo.

Tipo de óleo	Horas de operação
Multigrade oil SAE 10W30	100 ou 6 Meses

### Falhas

Se ocorrer alguma falha, por exemplo, devido a desgaste duma peça, contacte o endereço de assistência indicado no cartão de garantia. No fim deste manual encontra um diagrama de componentes alargado com as peças que podem ser encomendadas.

### Protecção do meio ambiente

Com vista a evitar quaisquer danos de transporte, a máquina é fornecida numa embalagem resistente, fabricada na medida do possível em materiais recicláveis. Entregue, portanto, a embalagem para reciclagem.

## O compressor funciona mas não comprime

### Fig. 19

- Isto pode ser causado pelas válvulas (C-C2) ou junta de vedação (B1-B2) estarem partidas.
  - Substitua a peça danificada.

## O compressor não arranca

Se o compressor tiver dificuldade em arrancar, verifique:

- se a voltagem da rede eléctrica corresponde à voltagem na chapa de especificações (fig. 10)
- se os cabos de prolongamento eléctricos estão a ser usados com um condutor defeituoso ou com comprimento errado.
- se o ambiente de operação está frio demais (abaixo de 0°C).
- se há óleo no cárter para assegurar a lubrificação (fig. 8)
- se há fornecimento de energia (ficha correctamente ligada, fusíveis magneto-térmicos não partidos).

## O compressor não desliga

Se o compressor não desligar quando a pressão máxima é atingida, a válvula de segurança do depósito será activada. É necessário contactar o Serviço de Assistência autorizado mais próximo para reparação.

## 5. MANUTENÇÃO

### Manutenção



*Certifique-se de que a ficha é retirada do ponto eléctrico sempre que levar a cabo tarefas de manutenção na máquina.*

As máquinas Ferm foram concebidas para trabalharem durante longos períodos de tempo com um mínimo de manutenção. O funcionamento contínuo e satisfatório depende da utilização correcta da máquina e a limpeza regular. Antes de intervir de qualquer que seja o modo no compressor, certifique-se de que:

- O interruptor de linha geral está na posição “0”.
- O regulador de pressão e os interruptores no quadro eléctrico estão desligados na posição “0”.
- O depósito de ar está completamente descomprimido.

### Limpeza

Limpe regularmente o revestimento da máquina utilizando um pano suave, de preferência após cada utilização. Mantenha as entradas de ventilação livres de poeiras e sujidades. Se a sujidade não sair, utilize um pano humedecido em água com detergente. Nunca utilize solventes tais como petróleo, álcool, amoníaco, etc. Estes solventes podem danificar as peças de plástico.

- Recomenda-se a utilização do compressor com uma operação máxima de 70% numa hora sob carga completa, para permitir uma operação correcta do produto no tempo.
- Verifique se o depósito está completamente descomprimido antes das conexões com o depósito serem desenroscadas.
- É proibido fazer orifícios ou soldaduras, ou deformar intencionalmente o depósito de ar comprimido.
- Não execute quaisquer acções no compressor sem ter primeiro tirado a ficha da tomada.
- Não aponte jactos de água ou jactos de líquidos inflamáveis para o compressor.
- Não coloque objectos inflamáveis junto do compressor.
- Coloque o regulador de pressão na posição “0” (OFF = desligado) durante o tempo de inactividade.
- Nunca aponte o jacto de ar para pessoas ou animais (fig. 20).
- Não transporte o compressor com o depósito pressurizado.
- N.B.: algumas partes do compressor, tais como a cabeça e os tubos de alimentação podem alcançar temperaturas elevadas. Não toque nestas partes para evitar queimaduras (fig. 12-13).
- Transporte o compressor elevando-o com um empilhador ou utilizando as pegas especiais ou manípulos (fig. 5-6).
- Crianças e animais deverão ser mantidos afastados da área de operação da máquina.
- Se utilizar o compressor para pulverizar tinta:
  - Não trabalhe em espaços fechados ou perto de chamas abertas.
  - Certifique-se de que o ambiente em que irá trabalhar tem ventilação adequada.
  - Proteja o seu nariz e boca com uma máscara apropriada (fig. 21).
- Não use o compressor quando o cabo eléctrico ou a ficha estiverem danificados, e contacte um Serviço de Assistência autorizado para os substituir por uma peça de origem.
- Quando o compressor for colocado numa superfície mais alta do que o chão, este deverá ser fixo para evitar que caia para baixo durante a operação.
- Não coloque objectos ou as suas mãos nas tampas de protecção para evitar danos físicos e danos no compressor.
- Não use o compressor como instrumento rude contra pessoas, objectos ou animais para evitar danos graves.
- Se o compressor já não estiver a ser utilizado, retire sempre a ficha da tomada.
- Certifique-se sempre de que as mangueiras de ar comprimido são utilizadas para ar comprimido e que são caracterizadas por uma pressão máxima ajustada à do compressor. Não tente reparar a mangueira se esta estiver danificada.

### Segurança eléctrica

#### Regras de ligação à terra

Este compressor tem que ser ligado à terra enquanto está a ser utilizado para proteger o operador contra choques eléctricos. O compressor é fornecido com um cabo de dois condutores mais um de terra. A ligação eléctrica tem que ser feita por um técnico qualificado. Recomendamos que nunca desmonte o compressor e que nunca faça quaisquer outras ligações no regulador de pressão. As reparações deverão ser efectuadas por Serviços de Assistência autorizados ou por outros centros qualificados.



Nunca se esqueça de que o fio de ligação à terra é o fio verde ou fio amarelo/verde. Nunca ligue este fio verde a um terminal sob carga.

Antes de substituir a ficha do cabo de alimentação, certifique-se de que o fio de terra está ligado. Em caso de dúvida, contacte um electricista qualificado para verificar a ligação à terra.

#### Cabos de prolongamento

Use apenas um cabo de prolongamento com uma ficha e terra, deste modo nunca use cabos de prolongamento danificados ou esmagados. Verifique se o cabo de prolongamento está em bom estado. Para este aparelho o cabo de prolongamento deve ter um diâmetro de pelo menos 2,5 mm<sup>2</sup> (isto aplica-se a um comprimento máximo de 20 metros). Desenrole sempre os cabos de prolongamento completamente antes de os usar.

#### Ligação eléctrica

Verifique sempre se a voltagem de entrada do motor corresponde à voltagem da rede eléctrica indicada na chapa de especificações. Os compressores são fornecidos com um cabo eléctrico e com uma ficha de dois pólos + terra. É importante ligar o compressor a uma tomada com ligação à terra. (fig. 9)



Nunca use o fio terra em vez do neutro (fio 0). A ligação à terra deve ser feita de acordo com as normas de prevenção de acidentes (EN 60204).

### 3. UTILIZAÇÃO



Apenas para uso doméstico

**NB.:** A informação que encontrará neste manual foi escrita para ajudar o operador na utilização e manutenção do compressor. Algumas imagens neste manual mostram detalhes que podem diferir dos do seu compressor.

#### Instalação

Depois de retirar o compressor da sua embalagem (fig. 1) e ter verificado que está em boas condições, e depois de ter verificado que não ocorreram danos durante o transporte, deverão ser executadas as seguintes acções. Se ainda não estiverem montadas, monte as tampa de borracha no depósito de acordo com as instruções representadas na fig. 2. Coloque o compressor numa superfície plana ou com uma inclinação máxima de 10° (fig.3), numa área bem ventilada, protegida contra factores atmosféricos e não em áreas envolventes sujeitas a explosões. Se a superfície for lisa e inclinada, certifique-se de que o compressor não se moverá quando estiver a funcionar, caso contrário. Se a superfície for uma tábua ou uma prateleira de uma estante, certifique-se de que não caem fixando-as correctamente. Para ventilação adequada e arrefecimento eficaz, é importante que o compressor seja colocado pelo menos a 100 cm da parede (fig. 4).



Certifique-se de que o compressor é transportado de maneira correcta, não o vire com a parte de cima para baixo e não o eleve com ganchos ou cordas (fig. 5-6).

#### Importante! antes da utilização

Remova a tampa plástica da tampa do cárter. Encha o cárter com o óleo fornecido (250 ml). O indicador no fundo do cárter indica o nível do óleo: Este deverá agora estar nivelado com o ponto vermelho (fig. 7 e 8).

#### Arranque

- Verifique se a voltagem da rede eléctrica corresponde à voltagem indicada na chapa de especificações eléctricas (fig. 10), o limite de tolerância permitido deverá estar dentro de 5%.
- Prima o interruptor que se encontra na parte superior para a posição "0" de acordo com o tipo de regulador de pressão montado no aparelho (fig. 11).
- Introduza a ficha na tomada (fig. 9) e faça arrancar o compressor colocando o interruptor do regulador de pressão na posição "I". O funcionamento do compressor é completamente automático. O regulador de pressão parará o compressor quando o valor máximo tiver sido alcançado e põe-o a trabalhar quando a pressão baixar abaixo do valor mínimo. Normalmente a diferença na pressão é aprox. 2 Bar/29 psi entre o valor máximo e o valor mínimo. Por exemplo, o compressor parará quando este alcançar 8 Bar (116 psi) (esta é a pressão máxima de operação) e arrancará automaticamente quando a pressão dentro do depósito tiver baixado para 6 Bar (87 psi).



O conjunto do tubo/cabeça/cilindro pode alcançar temperaturas elevadas, por isso, tenha cuidado quando estiver a trabalhar perto destas partes e não lhes toque para evitar queimaduras (fig. 12 - 13).

#### Regular a pressão de operação

##### Fig. 14

Não é necessário utilizar continuamente a pressão de operação máxima, as ferramentas a ar comprimido necessitam frequentemente de menos pressão. Em relação aos compressores fornecidos com uma válvula de redução de pressão, é necessário regular a pressão de operação correctamente. É possível regular a pressão de operação utilizando o botão de rodar na válvula de redução.

- Ao rodar para a direita, a pressão aumentará.
- Ao rodar para a esquerda, a pressão será reduzida.

A pressão regulada pode ser bloqueada ao rodar o anel por baixo do botão de rodar na direcção oposta do botão de rodar, fixando assim o botão de rodar. A pressão regulada é visível no manómetro da válvula de redução.

### 4. FALHAS

#### Perda de ar

- Pode ser provocada por uma má vedação de uma conexão.
  - Verifique todas as conexões humedecendo-as com sabão e água.



- H Változtatás jogát fenntartjuk  
CZ Změny vyhrazeny  
SI Predmet sprememb  
PL Temat do zmiany  
RUS Компания Ferm постоянно совершенству ет выпускаему ю ею проедукцию. Поэтому в техничесие характеристики могут вноситься без предварительного уведомления.  
GR Ηρούμε το δικαίωμα αλλαγών

# FERM®

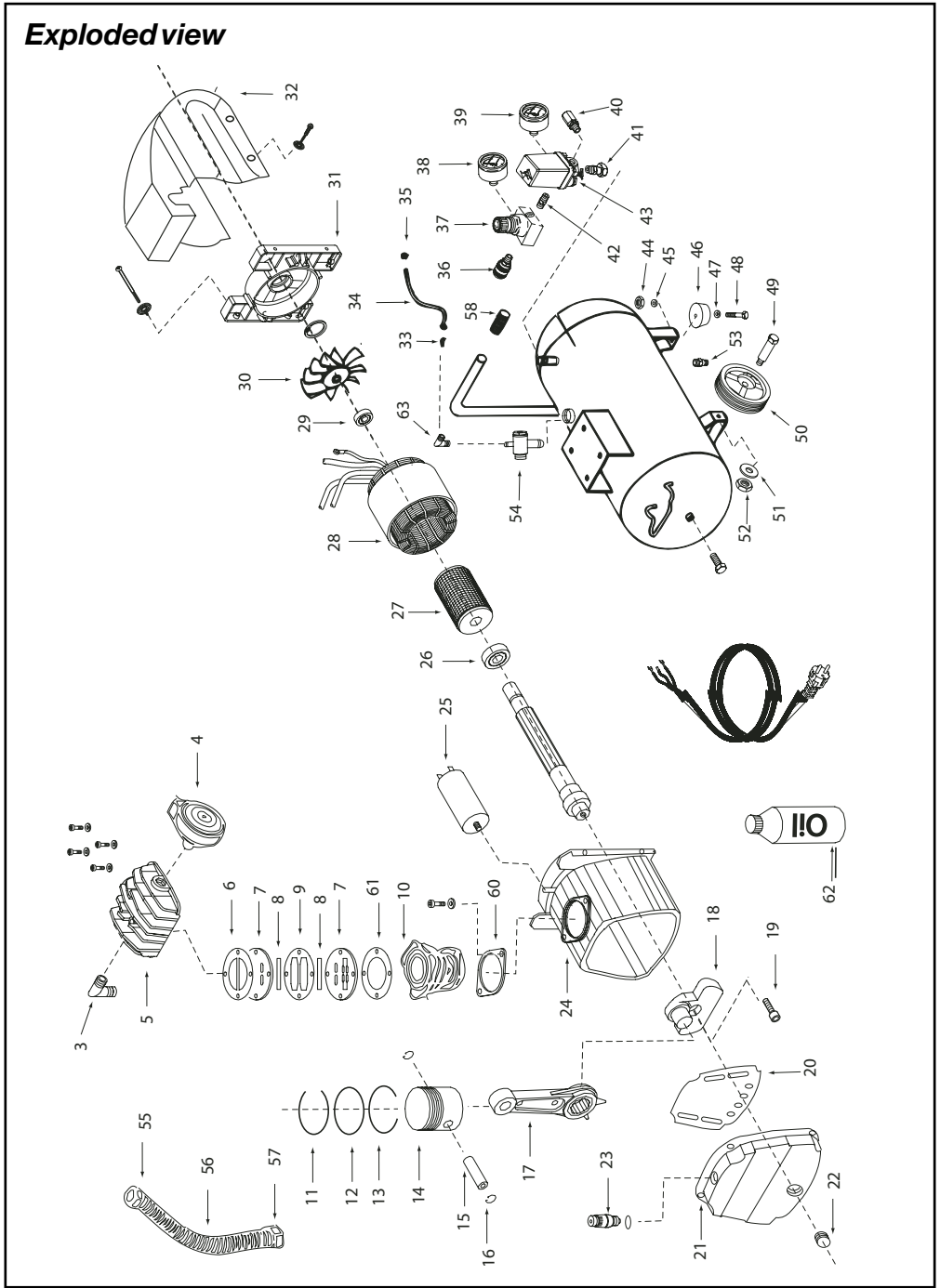
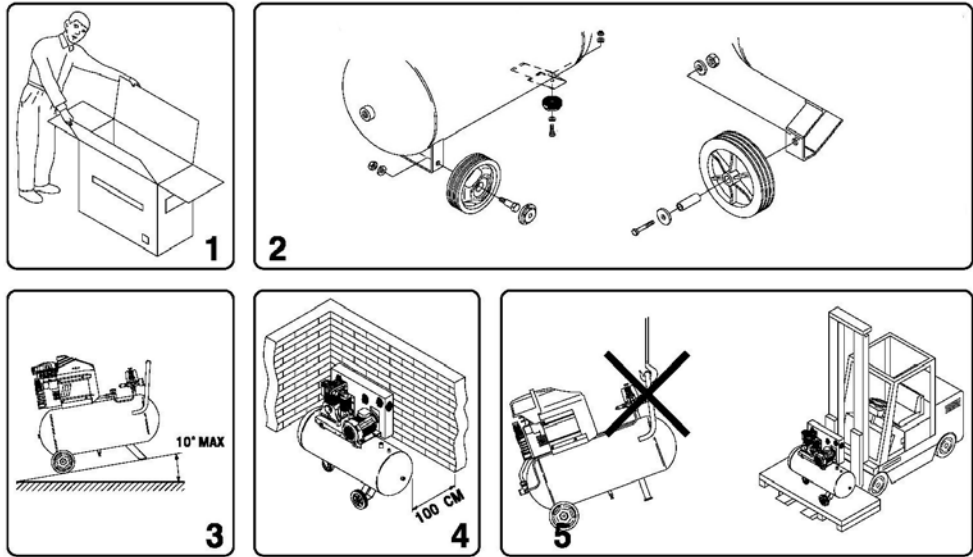
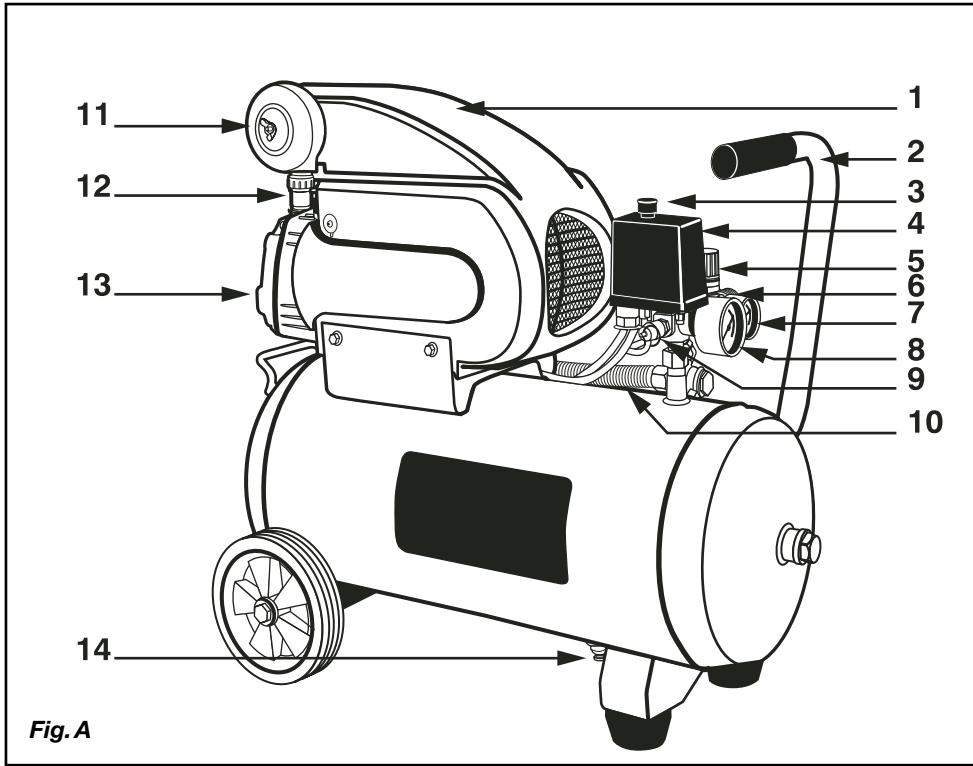
JUST A PERFECT TOOL

Art. no. CRM1027  
**FCO-1524**



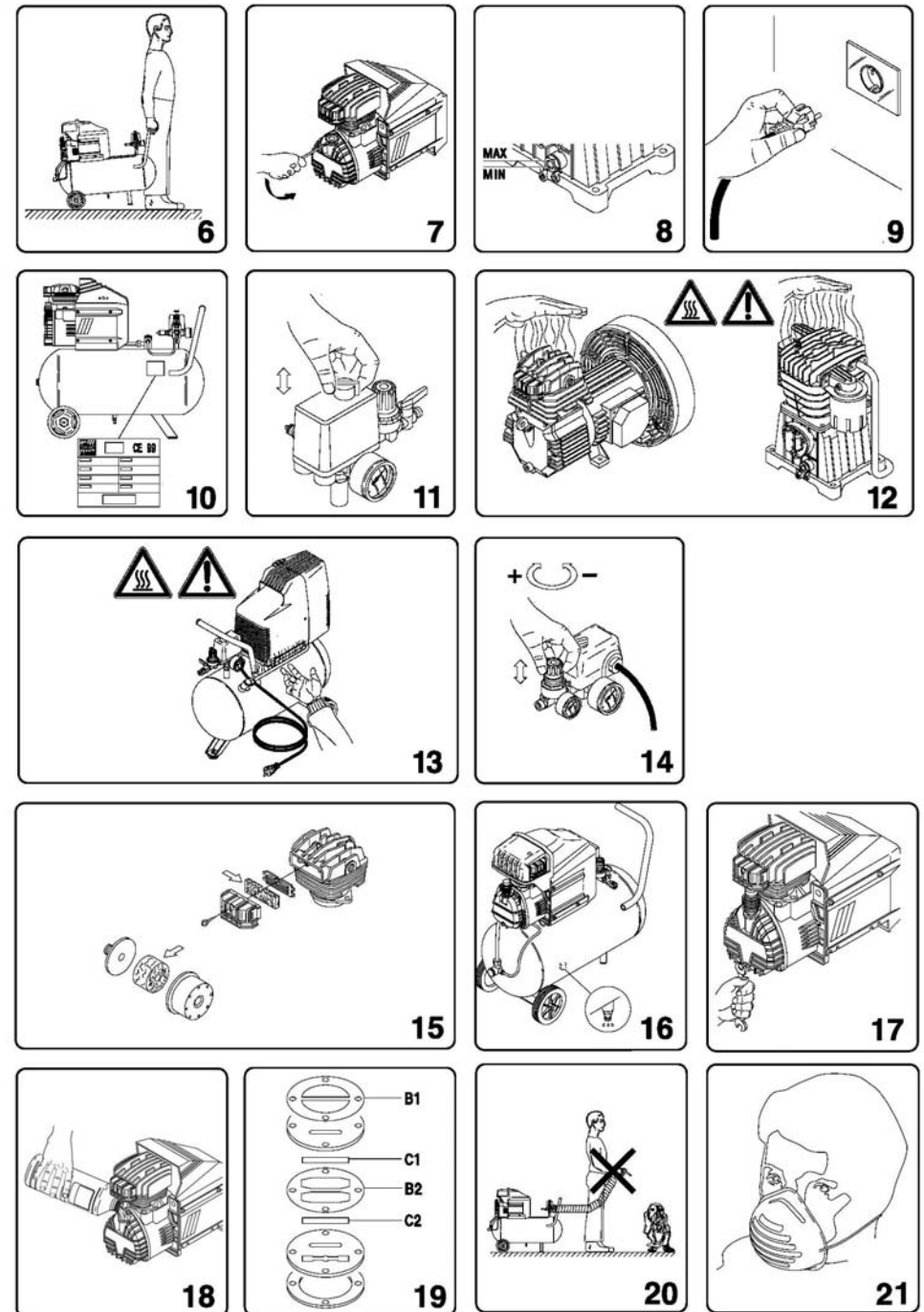
<b>H</b>	HASZNÁLATI UTASÍTÁS	04
<b>CZ</b>	NÁVOD K POUŽITÍ	12
<b>SI</b>	NOVODILA ZA UPORABO	20
<b>PL</b>	INSTRUKSJE OBSŁUGI	28
<b>RUS</b>	РУКОВОДСТВО ПО ЭКСПЛУАТАЦИИ	36
<b>GR</b>	ΟΔΗΓΙΕΣ ΧΡΗΣΕΩΣ	44





## Spare parts list FCO-1524

Ferm no.	Description	Position no.
700473	Knee coupling	3
700453	Air filter	4
700474	Cylinder head	5
700481	Gasket set	6,9,60,61
700449	Valve assembly	7(2x),8(2x),9
700482	Cylinder	10
700483	Piston rings (set)	11 till 13
700484	Piston complete	14,15,16(2x)
700485	Connecting rod	17
700487	Crank	18
700486	Carter gasket	20
700452	Carter cover	21
700475	Oil level indicator	22
700476	Oil filling cap	23
800025	Capacitor 25 uf	25
806204	Bearing 6204 zz	26
700488	Stator	28
806202	Bearing 6202 zz	29
700477	Fan	30
700451	Plastic cover	32
700461	Unloading pipe	33 till 35
205254	Quick coupler	36
208029	Reduce valve	37
700454	Reduce valve + manometer	36,37,38,42
CRA1005	Manometer 1/8" back	38
CRA1003	Manometer 1/4" backside	39
205915	Safety valve 1/4	40
700455	Automatic pressure switch	41+43
205200	Double coupling 1/4'	42
700458	Rubber foot	44 till 48
700459	Wheel complete	49 till 52
206292	Drain tap 3/8"	53
700479	Non-return valve	54, 63
700582	Pressure pipe complete	55, 56, 57
700480	Handle cover	58
700489	Bottle with oil (250ml)	62



## OLAJBÁZISÚ KOMPRESSZOR FCO-1524

*Az alábbi szövegben a 2 - 3 oldalon közölt rajzokon feltüntetett számok szerepelnek.*



*A készülék használatbavétele előtt olvassa el alaposan a használati útmutatót. Ismerkedjen meg a készülék működésével és kezelésével. A készüléket a megfelelő működés érdekében az útmutatásnak megfelelően tartsa karban. A használati utasítást és a hozzá tartozó dokumentációt mindig a gép közelében kell tartani.*

### Tartalom

1. A gép részei
2. Biztonsági előírások
3. Használat
4. Meghibásodások
5. Karbantartás

## 1. A GÉP RÉSZEI

### Műszaki adatok

Feszültség	230V~
Frekvencia	50 Hz
Teljesítmény	1.5 HP
Alapjárat fordulatszám	2800/perc
IP osztály	IP 33
Tartály térfogata	24 liter
Levegőbeszívás	160 l/perc
Max. kimeneti nyomás	8.0 bar
Súly	27.15 kg
Hangteljesítmény szint	91.0 dB (A)

A zajszint értéke 1-ről 10 dB(A)-ra emelkedhet a környezet függvényében, amelyben a kompresszor üzembe helyezésre kerül.

### Termékinformáció

#### A. Ábra

1. Burkolat
2. Fogantyú
3. Kapcsoló
4. Automatikus leállító
5. Nyomásszabályzó
6. Gyorscsatlakozó (kivezetés)
7. Nyomásmérő (nyomásszabályzó)
8. Nyomásmérő (tartály)
9. Biztonsági szelep
10. Nyomóvezeték

## CE ΔΗΛΩΣΗ ΣΥΜΜΟΡΦΩΣΗΣ (GR)

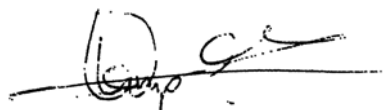
Δηλώνουμε με αποκλειστική μας ευθύνη, ότι αυτό το προϊόν πληροί τα παρακάτω πρότυπα ή τα έγγραφα προτύπων.

*prEN1012-1, prEN1012-2, EN60204-1, EN-12100, ISO5388, EN55014-2, EN61000-3-2, EN61000-3-3*

σύμφωνα με τις οδηγίες

**98/37/EOK, 73/23/EOK, 89/336/EOK, 87/404/EOK**

από 01-01-2006  
**ZWOLLE NL**



W. Kamphof  
Τμήμα ποιοτικού ελέγχου

Δεδομένου ότι η διαρκής βελτίωση των προϊόντων μας αποτελεί πολιτική της εταιρείας μας, επιφυλασσόμαστε του δικαιώματος να τροποποιούμε τις προδιαγραφές του προϊόντος χωρίς προηγούμενη ειδοποίηση.

**Ferm BV • Lingenstraat 6 • 8028 PM Zwolle • Ολλανδία**

11. Légszűrő
12. Olajsapka
13. Olajteknő
14. Leeresztőcsap

## 2. BIZTONSÁGI ELŐÍRÁSOK

### Jelmagyarázat

Jelen használati utasításban a következő piktogramok jelennek meg:



*Olvassa el az utasításokat.*



*Az eszköz megfelel az ide vonatkozó európai irányelvekben közzétett biztonsági előírásoknak.*



*Személyi sérülést, életveszélyt vagy a készülék lehetséges megrongálódását jelöli a kezelési útmutatónak nem megfelelő használat esetén.*



*Áramütés veszélyét jelöli.*



*A csatlakozódugót húzza ki a konnektorból.*



*A kompresszor működése teljesen automatikus. A nyomásszabályzó a maximális érték elérésekor leállítja a kompresszort, és újra beindítja, amint a nyomás a minimum érték alá esik.*



*Magas hőmérséklet veszélye. Figyelem: a gépet alkotó alkatrészek közül néhány magas hőmérsékletűre hevülhet.*



*Fülvédő használata kötelező.*



*Hangteljesítmény szint*



*A meghibásodott vagy használhatatlanná vált elektromos berendezéseket adja le újrafeldolgozásra.*

### Különleges biztonsági előírások

- A gép maximális nyomás melletti folyamatos terhelésű megfelelő működéséhez biztosítani kell, hogy a munkakörnyezet hőmérséklete zárt területen ne legyen több, mint +25°C.

- Javasolt a kompresszor használata 70% maximális működéssel egy órán keresztül teljes terhelés alatt, hogy hosszú időn keresztül lehetséges legyen a termék megfelelő működése.
- Ellenőrizze, hogy a tartály teljesen nyomásmentesítve lett-e, mielőtt lecsavarozza a csatlakozásokat a tartályról.
- Tilos a sűrített levegő tartályba furatokat készíteni, vagy ahhoz hegeszteni, vagy azt szándékosan eltorzítani.
- Semmilyen műveletet ne végezzen a kompresszoron anélkül, hogy előzőleg kihúzta a dugaszt a dugaszolóaljzatból.
- Ne irányítson vízsugarat vagy éghető folyadéksugarat a kompresszorra.
- Ne tegyen éghető tárgyakat a kompresszor közelébe.
- A tartózkodási idő folyamán a nyomásszabályzót kapcsolja a "0" helyzetbe (OFF = ki).
- Soha ne irányítsa a légsugarat személyekre vagy állatokra (20. ábra).
- Ne szállítsa a kompresszort nyomás alatt levő tartállyal.
- Jegyezze meg: a kompresszor némelyik alkatrésze, mint például a fej és az átvezető csövek magas hőmérsékletet érhetnek el. Az égések elkerüléséhez ne érintse meg ezeket az alkatrészeket (12-13. ábrák).
- A kompresszort felemelve vagy a speciális fogantyúk vagy markolatok használatával szállítsa (5-6. ábrák).
- A gyerekeket és állatokat távol kell tartani a gép működési területétől.
- Ha a kompresszort festékszórásra használja:
  - a) *Ne dolgozzon zárt terekben vagy nyílt láng közelében.*
  - b) *Győződjön meg róla, hogy a környezet, amelyben dolgozni fog, célra rendelt szellőzéssel rendelkezik.*
  - c) *Megfelelő álarccal védje az orrát és száját (21. ábra).*
- Ne használja a kompresszort, ha az elektromos kábel vagy a dugasz sérült, és utasítsa a felhatalmazott támogató szervizt, hogy eredeti alkatrészsel cserélje ki.
- Ha a kompresszort a padlónál magasabb felületre helyezi, rögzíteni kell, hogy megakadályozza a leesését a működés során.
- Ne tegyen tárgyakat vagy a kezét a védőburkolatokra, hogy elkerülje a fizikai sérülést és a kompresszor károsodását.
- A súlyos sérülés megelőzéséhez ne használja a kompresszort tompa szerszámként személyek, tárgyak vagy állatok ellen.
- Ha a kompresszor már nincs tovább használatban, mindig húzza ki a dugaszt a dugaszolóaljzatból.
- Mindig győződjön meg róla, hogy a sűrített levegő tömlőket sűrített levegőhöz használja, és amelyeket a kompresszoréhoz beszabályozott maximális nyomás jellemez. Ne próbálja megjavítani a tömlőt, ha az sérült.

### Érintésvédelem

#### Földelési előírások

A kompresszort használat közben földelni kell, hogy a kezelőt megvédjék az áramütés veszélyétől. A kompresszor egy kéteres kábellel és egy földelő vezetékkel van ellátva. Az elektromos csatlakozást képzett technikusként kell készítenie. Javasoljuk, hogy soha ne szerelje szét a kompresszort, és bármiféle más csatlakozást se csináljon a nyomásszabályzóba. A javításokat felhatalmazott támogató szervizeknek vagy más minősített központoknak kell végezniük.

### Antikatástasza/anaállhrowa laaióu

Ο συμπιεστής διατίθεται γεμάτος με συνθετικό λάδι "SAE 10W30". Συνιστούμε την ολοκληρωτική αντικατάσταση του λαδιού στο σύστημα αναρρόφησης μέσα στις πρώτες 100 ώρες λειτουργίας.

- Ξεβιδώστε την τάπα αποστράγγισης (δείκτης), που υπάρχει στο καπάκι της ελαιολεκάνης και αφήστε να τρέξει έξω όλο το λάδι προτού τοποθετήσετε και πάλι την τάπα (εικ. 17).
- Πληρώστε με λάδι, χρησιμοποιώντας την επάνω οπή στο καπάκι της ελαιολεκάνης (εικ. 18), έως τη στάθμη που υποδεικνύεται στο δείκτη (εικ. 8). Να ελέγχετε τη στάθμη του λαδιού του συστήματος αναρρόφησης μία φορά την εβδομάδα και να αναπληρώνετε την ποσότητα, εάν είναι απαραίτητο.

Για λειτουργία σε περιβάλλον με θερμοκρασία από -5°C έως +35°C, χρησιμοποιήστε συνθετικό λάδι "SAE 10W30". Το πλεονέκτημα του συνθετικού λαδιού είναι ότι δεν χάνει τις ιδιότητές του είτε κατά την θερινή, είτε κατά τη χειμερινή περίοδο.



*Δεν θα πρέπει να απορρίπτετε το χρησιμοποιημένο λάδι στο δίκτυο αποχέτευσης ή στο περιβάλλον.*

Να αλλάζετε το λιπαντικό λάδι σύμφωνα με τις υποδείξεις του παρακάτω πίνακα.

Τύπος λαδιού	Ώρες λειτουργίας
Πολυτυπου ορυλτελαιο υ SAE 10W30	100 ή 6 μήνες

### Βλαβες

Εάν προκύψει κάποια βλάβη π.χ. λόγω της φθοράς κάποιου εξαρτήματος, παρακαλούμε επικοινωνήστε με το Κέντρο επισκευών που αναγράφεται στην κάρτα εγγύησης. Στο πίσω μέρος αυτού του εγχειριδίου υπάρχει ένα αναπτυγμένο διάγραμμα, στο οποίο παρουσιάζονται τα εξαρτήματα που μπορείτε να παραγγείλετε.

### Περιβάλλον

Για να μην πάθει ζημιά το μηχανήμα κατά τη μεταφορά, παραδίδεται μέσα σε κλειστή συσκευασία. Τα περισσότερα από τα υλικά συσκευασίας μπορούν να ανακυκλωθούν. Πηγαίστε αυτά τα υλικά στα κατάλληλα σημεία ανκύκλωσης.



*Ελαττωματικά και / ή απορριμμένα ηλεκτρικά ή ηλεκτρονικά αντικείμενα πρέπει να συλλέγονται στις κατάλληλες τοποθεσίες ανακύκλωσης.*

### Εγγύηση

Για τους όρους της εγγύησης, διαβάστε την κάρτα εγγύησης στο πίσω μέρος αυτών των οδηγιών χρήσεως.



### Ο συμπιεστής δεν τίθεται εκτός λειτουργίας

Εάν ο συμπιεστής δεν τίθεται εκτός λειτουργίας, όταν η πίεση φτάνει τη μέγιστη τιμή της θα ενεργοποιηθεί η βαλβίδα ασφαλείας του αεροθυλακίου. Είναι απαραίτητο να επικοινωνήσετε με το πλησιέστερο εξουσιοδοτημένο σέρβις για επισκευή.

## 5. ΣΥΝΤΗΡΗΣΗ

### Συντήρηση



*Βεβαιωθείτε ότι το φιλτράκι έχει αφαιρεθεί από την πρίζα όταν εκτελείτε εργασίες συντήρησης στο μοτέρ.*

GR Τα μηχανήματα της Ferm είναι σχεδιασμένα να λειτουργούν για μεγάλα χρονικά διαστήματα με ελάχιστη συντήρηση. Η συνεχής καλή λειτουργία του μηχανήματος εξαρτάται από τη σωστή φροντίδα και τον τακτικό καθαρισμό του. Προτού εκτελέσετε οποιαδήποτε εργασία στον συμπιεστή, ελέγξτε τα εξής:

- Ο γενικός διακόπτης τροφοδοσίας βρίσκεται στη θέση "0".
- Ο ρυθμιστής πίεσης και οι διακόπτες ελέγχου βρίσκονται στη θέση "0".
- Το αεροθυλάκιο έχει αποσυμπίεστεί εντελώς.

### Καθαρισμός

Καθαρίζετε τακτικά το περίβλημα του μηχανήματος με ένα μαλακό πανί, κατά προτίμηση μετά από κάθε χρήση. Διατηρείτε τις οπές εξαερισμού καθαρές, χωρίς σκόνη και ακαθαρσίες. Αν οι ακαθαρσίες δεν απομακρύνονται με τους συνηθισμένους τρόπους καθαρισμού, χρησιμοποιήστε ένα μαλακό πανί μουσκεμένο σε σαπουνάδα. Μη χρησιμοποιείτε ποτέ διαλύτες, όπως πετρέλαιο, οινόπνευμα, διάλυμα αμμωνίας κ.λπ. Αυτοί οι διαλύτες μπορεί να προκαλέσουν ζημιά στα πλαστικά μέρη του μηχανήματος.

### Λιπανση

Συνιστούμε την αφαίρεση του φίλτρου της αναρρόφησης κάθε 50 ώρες λειτουργίας και τον καθαρισμό του στοιχείου του φίλτρου με πεπιεσμένο αέρα (εικ. 15). Συνιστούμε την αντικατάσταση του στοιχείου του φίλτρου μία φορά το χρόνο, εάν ο συμπιεστής λειτουργεί σε περιβάλλον χωρίς σκόνη, ενώ η αντικατάστασή του θα πρέπει να γίνεται συχνότερα, εάν το περιβάλλον λειτουργίας είναι επιβαρημένο με σκόνη. Ο συμπιεστής παράγει συμπτυκνωμένους υδρατμούς, οι οποίοι συσσωρεύονται στο αεροθυλάκιο. Είναι απαραίτητη η αποβολή των συμπτυκνωμένων υδρατμών από το αεροθυλάκιο, τουλάχιστον μια φορά την εβδομάδα ανοίγοντας τη στρόφιγγα αποστράγγισης (εικ. 16), η οποία βρίσκεται κάτω από το αεροθυλάκιο. Εάν μέσα στο δοχείο υπάρχει πεπιεσμένος αέρας, θα πρέπει να είστε ιδιαίτερα προσεκτικοί, διότι είναι πιθανόν το νερό να εξέλθει με δύναμη. Μέγιστη συνιστώμενη πίεση 1-2 bar.



*Οι συμπτυκνωμένοι υδρατμοί που παράγονται από ελαιολιπαινόμενους συμπιεστές δεν πρέπει να απορρίπτονται στο δίκτυο αποχέτευσης ή στο περιβάλλον διότι περιέχουν λιπαντικό λάδι.*



*Soha ne felejtse el, hogy a földelő ér a zöld vagy a sárga/zöld vezeték. Ezt a zöld vezetékét terhelés alatt soha ne csatlakoztassa csatlakozóhoz.*

A táp dugaszának cseréje előtt győződjön meg róla, hogy a földkábel csatlakoztatásra került. Kétség esetén hívjon képzett villanyszerelőt és vizsgálta meg a földelést.

### Hosszabbító kábelek

Csak dugasszal és földeléssel ellátott hosszabbító kábelt használjon, így soha ne használjon sérült vagy szétlapult hosszabbító kábeleket. Ellenőrizze, hogy a hosszabbító kábel jó állapotban van-e. Ehhez a készülékhez a hosszabbító kábel keresztmetszetének legalább 2,5 mm<sup>2</sup>-nek kell lennie (ez maximálisan 20 méteres hosszra vonatkozik). A hosszabbító kábeleket használat előtt mindig teljesen tekerje le.

### Elektromos csatlakozás

Mindig ellenőrizze, hogy a motor bemeneti feszültsége megfelel-e az adattáblán jelzett hálózati feszültségnek. A kompresszorok el vannak látva egy elektromos kábellel és egy kétpólusú dugasszal és földeléssel. Fontos, hogy a kompresszort földelt dugaszolóaljzatba csatlakoztassa. (9. ábra)



*Soha ne használja a földvezetékét a semleges (0-vezeték) helyett. A földelésnek a baleset megelőzési előírásoknak (EN 60204) megfelelően kell történnie.*

## 3. HASZNÁLAT



*Csak otthoni felhasználásra*

**Jegyezze meg:** Az ebben a kézikönyvben található információkat azért írták, hogy segítsék a kezelőt a kompresszor használatában és karbantartásában. A kézikönyv némelyik illusztrációja olyan részleteket mutat, amelyek különbözhetnek az Ön kompresszorában találhatóktól.

### Üzembe helyezés

Miután kivette a kompresszort a csomagolásából (1. ábra) és ellenőrizte, hogy az tökéletes állapotban van-e, és megfigyelte, hogy a szállítás során nem fordult-e elő sérülés, a következő műveleteket kell végrehajtania. Ha még nincs ráillesztve, illessze és a gumisapkát a tartályra a 2. ábrán bemutatott utasítások szerint. Helyezze a kompresszort sík felületre vagy legfeljebb 10°-os lejtőre (3. ábra) egy jól szellőzött területen, a légköri tényezőktől védetten, és nem robbanásveszélyes környezetben. Ha a felszíni terület lejtős és síma, győződjön meg róla, hogy a kompresszor működés közben nem fog mozogni. Ha a felszíni terület egy deszka vagy egy könyvszekrény polca, megfelelő rögzítéssel biztosítsa, hogy azok ne eshessenek le. A megfelelő szellőzéshez és a hatékony hűtéshez fontos, hogy a kompresszort legalább 100 cm-re helyezze a faltól (4. ábra).



**Σημείωση:** Οι πληροφορίες που περιέχονται σε αυτό το εγχειρίδιο έχουν ως σκοπό να βοηθήσουν το χρήστη στο χειρισμό και στη συντήρηση του συμπιεστή. Είναι πιθανόν κάποιες από τις εικόνες που περιέχει το εγχειρίδιο να δείχνουν λεπτομέρειες που διαφέρουν στο συμπιεστή που διαθέτετε.

### Εγκατάσταση

Αφού αφαιρέσετε το συμπιεστή από τη συσκευασία του (εικ. 1) και βεβαιωθείτε ότι είναι σε άψογη κατάσταση, χωρίς να έχουν προκληθεί σε αυτόν φθορές κατά τη μεταφορά, θα πρέπει να κάνετε τα εξής: Εάν δεν έχουν ήδη τοποθετηθεί, τοποθετήστε τους τροχούς και το ελαστικό πώμα στο αεροθυλάκιο, σύμφωνα με τις οδηγίες που υποδεικνύονται στην εικόνα 2. Τοποθετήστε το συμπιεστή σε επίπεδη επιφάνεια με μέγιστη κλίση έως 10° (εικ. 3), μέσα σε καλά αεριζόμενο χώρο, όπου θα προστατεύεται από τις κλιματολογικές συνθήκες και δεν θα εκτίθεται σε εκρηκτικά περιβάλλοντα. Εάν η επιφάνεια είναι κεκλιμένη και ολισθηρή, βεβαιωθείτε ότι ο συμπιεστής δεν μπορεί να μετακινηθεί κατά τη χρήση του, διαφορετικά, ακινητοποιήστε τον τοποθετώντας δύο σφήνες στους τροχούς του. Εάν η επιφάνεια είναι κάποια σανίδα ή κάποιο ράφι επίπλου, απλά στερεώστε την κατάλληλα ώστε να μην υποχωρήσει. Για τον επαρκή εξαερισμό και την αποτελεσματική ψύξη, είναι σημαντικό ο συμπιεστής να απέχει τουλάχιστον 100 εκ. από κάθε τοίχο (εικ. 4).



Φροντίστε ώστε η μεταφορά του συμπιεστή να γίνεται με τον κατάλληλο τρόπο. Δεν θα πρέπει να γυρίζει ανάποδα, ούτε να ανυψώνεται χρησιμοποιώντας γάντζους ή σχοινιά (εικ. 5-6).

### Σημαντικό! Πριν από την πρώτη χρήση

Αφαιρέστε το πλαστικό πώμα από το καπάκι της ελαιολεκάνης. Πληρώστε την ελαιολεκάνη με το λάδι που συνοδεύει το συμπιεστή (250 ml). Ο δείκτης στον πυθμένα της ελαιολεκάνης υποδεικνύει τη στάθμη του λαδιού: θα πρέπει να βρίσκεται στο ίδιο επίπεδο με την κόκκινη κουκκίδα (εικ. 7 και 8).

### Εκκίνηση

- Βεβαιωθείτε ότι η τάση τροφοδοσίας του δικτύου συμπίπτει με την τάση που αναγράφεται στην πινακίδα ηλεκτρικών προδιαγραφών (εικ. 10), ενώ το εύρος της επιτρεπόμενης απόκλισης της τάσης είναι 5%.
- Ανάλογα με τον τύπο ρυθμιστή πίεσης που έχει εγκατασταθεί στη συσκευή (εικ. 11), πατήστε το διακόπτη που βρίσκεται στο επάνω μέρος, ώστε να έρθει στη θέση "0".
- Συνδέστε το φις στην πρίζα (εικ. 9) και θέστε το συμπιεστή σε λειτουργία, φέρνοντας το διακόπτη του ρυθμιστή πίεσης στη θέση "I". Η λειτουργία του συμπιεστή είναι πλήρως αυτοματοποιημένη. Ο ρυθμιστής πίεσης θα διακόψει τη λειτουργία του συμπιεστή όταν η τιμή της πίεσης φτάσει στη μέγιστη τιμή και θα τον θέσει και πάλι σε λειτουργία όταν η τιμή της πίεσης πέσει χαμηλότερα από την ελάχιστη τιμή. Κανονικά, η διαφορά μεταξύ της μέγιστης και της ελάχιστης τιμής της πίεσης είναι περίπου 2 bar/29 psi. Για παράδειγμα: Ο συμπιεστής θα σταματήσει να λειτουργεί όταν η πίεση ανέλθει στα 8 bar (116 psi) (αυτή είναι η μέγιστη πίεση λειτουργίας) και θα τεθεί αυτόματα και πάλι σε λειτουργία όταν η πίεση στο αεροθυλάκιο πέσει στα 6 bar (87 psi).

### A kompresszor jár, de nem sűrít

#### 19. Ábra

- Okozhatják a törött (C-C2) szelepek vagy egy törött (B1-B2) tömítés.
  - Cserélje ki a sérült alkatrészt.

### A kompresszor nem indul

Ha a kompresszort nehéz beindítani, ellenőrizze a következőket:

- megfelel-e a hálózati feszültség az adattáblán levőnek (10. ábra)
- nem hibás-e a használt hosszabbító kábelek ere vagy a hosszúsága.
- nem túl hideg-e az üzemelési környezet (0°C alatt).
- van-e olaj az olajteknőben a kenés garantálásához (8. ábra)
- van-e áramellátás (jól van-e bedugva a dugasz, nem szakadtak-e meg a mágneses hőbiztosítékok).

### A kompresszor nem kapcsol le

Ha a kompresszor nem kapcsol le a maximális nyomás elérésekor, működésbe lép a tartály biztonsági szelepe. Javítás céljából kapcsolatba kell lépni a legközelebbi felhatalmazott támogató szervvel.

## 5. KARBANTARTÁS

### Karbantartás



Ügyeljen, hogy a motor karbantartása során a fűró mindig le legyen választva az elektromos hálózatról.

A Ferm gépeket úgy tervezték, hogy azok hosszú időn keresztül üzemelnek minimális karbantartás mellett. A folyamatos kielégítő üzemelés a megfelelő és rendszeres tisztításon múlik. Mielőtt bármilyen módon beavatkozna a kompresszorba, biztosítsa az alábbiakat:

- Az általános vezeték kapcsoló a "0" állásban legyen.
- A nyomásszabályzó és a kapcsolótáblán levő kapcsolók ki legyenek kapcsolva a "0" állásba.
- A légtartály teljesen nyomásmentes legyen.

### Tisztítás

Rendszeresen tisztítsa a gépházat egy finom textilanyaggal, lehetőleg minden használat után. Tartsa a szellőzőnyílásokat portól és szennyeződésektől mentesen. Ha a szennyeződések nem távolíthatók el, használjon szappanos vízzel átitatott finom textilanyagot. Ne használjon oldószereket, mint például benzint, alkoholt, ammóniás vizet, stb. Ezek az oldószerek károsíthatják a műanyagból készült alkatrészeket.

### Kenés

Javasolt a szívószűrő szétszerelése minden 50 üzemóra után, és a szűrőelem megtisztítása sűrített levegős átfúvatással (15. ábra). Ha a kompresszor tiszta környezetben működik, javasolt a szűrőelem évenkénti cseréje, ha poros a környezet, amelyben a kompresszor található, akkor gyakrabban. A kompresszor kondenzvizet hoz létre, amely a tartályban gyűlik.

A tartályban levő kondenzvizet legalább hetente egyszer el kell távolítani a tartály alatt található leeresztő csap kinyitásával (16. ábra). Vigyázzon, amikor sűrített levegő van a tartályban, mivel a víz némi erővel jöhet ki. A javasolt nyomás max. 1-2 bar.



*Az olajkenésű kompresszor kondenzvizét nem szabad a csatornába vagy a környezetbe engedni, mivel olajat tartalmaz.*

### Olajcseréje/utántöltése

A kompresszor "SAE 10W30" szintetikus olajjal van ellátva. Javasolt a szivattyúrendszer olajának teljes cseréje az első 100 üzemórán belül.

- Csavarja ki a leeresztő dugót (műszer) az olajteknő fedelén, hagyja kifolyni az olajat, és csavarja vissza a dugót (17. ábra).
- Töltse be az olajat az olajteknő fedelének felső nyílásán keresztül (18. ábra), míg el nem éri a műszeren (8. ábra) jelzett szintet.

Hetente ellenőrizze a szivattyúrendszer olajszintjét és szükség esetén töltsze utána. -5°C to +35°C közötti környezeti hőmérsékletek melletti üzemeltetés esetén használjon "SAE 10W30" szintetikus olajat. A szintetikus olajnak az az előnye, hogy nem veszíti el a jellemzőit sem a nyári, sem a téli időszakban.



*A fáradtolajat nem szabad a csatornába vagy a környezetbe önteni.*

Olajcsere esetén az alábbi táblázathoz kell ragaszkodni.

Olajtípus	Üzemóra
Többfokozatú olaj SAE 10W30	100 vagy 6 havonta

### Meghibásodások

Ha meghibásodás fordulna elő, pl. egy alkatrész kopása után, kérjük, forduljon a garanciajegyben feltüntetett szervizhez. Ennek a kézikönyvnek a hátulján talál egy perspektivikus bontott részábrázolást, amely a rendelhető alkatrészeket mutatja.

### Környezet

A szállítás során bekövetkező esetleges sérülések elkerülése érdekében a gép meglehetősen erős csomagolásban kerül leszállításra. A csomagoláshoz felhasznált anyagok nagy része újrafeldolgozható. Kérjük, hogy ezeket az anyagokat vigye a megfelelő szemétfeldolgozó telepekre.



*A meghibásodott vagy használhatatlanná vált elektromos berendezéseket adja le újrarendelésre.*

### Garancia

A garanciális feltételeket a kézikönyvhöz csatolt garanciaártya tartalmazza.

- Na φροντίζετε πάντοτε ώστε η μέγιστη πίεση αντοχής των εύκαμπτων σωλήνων που χρησιμοποιούνται για την μεταφορά του πεπιεσμένου αέρα, να ανταποκρίνεται στην πίεση εξόδου του συμπιεστή. Μην επιχειρήσετε να επισκευάσετε τον εύκαμπτο σωλήνα εάν πάθει βλάβη.

### Προστασία από ηλεκτροπληξία

#### Κανονισμοί γείωσης

Αυτός ο συμπιεστής θα πρέπει να είναι γειωμένος κατά τη χρήση του, προκειμένου να προστατευτεί ο χειριστής από τον κίνδυνο ηλεκτροπληξίας. Ο συμπιεστής διαθέτει καλώδιο τροφοδοσίας, με δύο αγωγούς για την τροφοδοσία και έναν για τη γείωση. Η ηλεκτρική σύνδεση θα πρέπει να γίνεται από ειδικευμένο τεχνικό. Συνιστούμε να μην επιχειρήσετε την αποσυναρμολόγηση του συμπιεστή, καθώς και να μην συνδέσετε κανένα άλλο εξάρτημα στο ρυθμιστή πίεσης. Οι επισκευές θα πρέπει να εκτελούνται από εξουσιοδοτημένα κέντρα σέρβις ή από άλλα ειδικευμένα κέντρα.



*Μην ξεχνάτε ότι το καλώδιο της γείωσης είναι αυτό με το πράσινο ή το κίτρινο/πράσινο χρώμα. Ποτέ μην συνδέσετε το πράσινο καλώδιο με ηλεκτροφόρο ακροδέκτη.*

Προτού αντικαταστήσετε το φως του καλωδίου τροφοδοσίας, βεβαιωθείτε ότι είναι συνδεδεμένο το καλώδιο γείωσης. Εάν έχετε αμφιβολίες για την γείωση, αναθέστε τον έλεγχο της γείωσης σε έναν ειδικευμένο τεχνικό.

#### Καλώδια προέκτασης (μπαλαντέζες)

Να χρησιμοποιείτε αποκλειστικά καλώδια προέκτασης με φως και γείωση. Ποτέ μην χρησιμοποιείτε φθαρμένα ή τσακισμένα καλώδια προέκτασης. Ελέγξτε για την καλή κατάσταση του καλωδίου προέκτασης. Για τη συγκεκριμένη συσκευή το καλώδιο προέκτασης θα πρέπει να έχει διατομή τουλάχιστον 2,5 mm<sup>2</sup>, (ο περιορισμός ισχύει για μέγιστο μήκος καλωδίου έως και 20 μέτρα). Προτού χρησιμοποιήσετε το καλώδιο προέκτασης, θα πρέπει να το ξετυλίξετε ολόκληρο.

#### Ηλεκτρική σύνδεση

Θα πρέπει να ελέγχετε πάντοτε εάν η τάση του ρεύματος που θα τροφοδοτήσει τον κινητήρα συμπίπτει με την τάση τροφοδοσίας που αναγράφεται στην πινακίδα προδιαγραφών. Το καλώδιο τροφοδοσίας που συνοδεύει τους συμπιεστές διαθέτει ρευματολήπτη (φως) με δύο ακροδέκτες και γείωση. Είναι σημαντικό να συνδέσετε το συμπιεστή σε πρίζα με γείωση (εικ.9).



*Ποτέ μην χρησιμοποιήσετε το καλώδιο της γείωσης για να συνδέσετε την ουδέτερη φάση (καλώδιο 0). Η γείωση θα πρέπει να γίνει σύμφωνα με τους κανονισμούς αποφυγής ατυχημάτων (EN 60204).*

## 3. ΧΡΗΣΗ



*Μόνον για οικιακή χρήση*

### Ειδικοι κανονισμοι ασφαλειας

- Για τη σωστή λειτουργία του μηχανήματος υπό συνεχή και πλήρη φόρτο εργασίας με τη μέγιστη πίεση λειτουργίας, φροντίστε ώστε η θερμοκρασία περιβάλλοντος σε κλειστό χώρο εργασίας να μην υπερβαίνει τους +25°C.
- Όταν ο συμπιεστής λειτουργεί υπό το μέγιστο φορτίο, συνιστούμε τη χρήση του κατά 70% μέσα σε χρονικά διαστήματα της μίας ώρας, προκειμένου να εξασφαλίσετε τη σωστή λειτουργία επί πολλά χρόνια.
- Προτού απασφαλίσετε τους συνδέσμους του αεροθυλακίου, βεβαιωθείτε ότι το αεροθυλάκιο έχει αποσυμπιεστεί εντελώς.
- Απαγορεύεται να τρυπήσετε το αεροθυλάκιο ή να κάνετε σε αυτό ηλεκτροσυγκολλήσεις, όπως επίσης και να μεταβάλλετε το σχήμα του εκούσια.
- Μην εκτελέσετε οποιαδήποτε εργασία στο συμπιεστή, εάν δεν αποσυνδέσετε πρώτα το ρευματολήπτη (φίς) από την πρίζα.
- Μην ψεκάζετε το συμπιεστή με νερό ή πολύ εύφλεκτα υγρά υπό πίεση.
- Μην τοποθετείτε εύφλεκτα αντικείμενα κοντά στο συμπιεστή.
- Κατά την αναμονή του μηχανήματος, να φέρνετε το ρυθμιστή πίεσης στη θέση "0" (OFF = διακοπή λειτουργίας).
- Μην στρέφετε τη δέσμη του πεπιεσμένου αέρα προς ανθρώπους ή ζώα (εικ. 20).
- Μην μεταφέρετε το συμπιεστή όταν το αεροθυλάκιο βρίσκεται υπό πίεση.
- ΣΗΜΕΙΩΣΗ: η θερμοκρασία ορισμένων τμημάτων του συμπιεστή, όπως η κεφαλή ή οι σωληνώσεις τροφοδοσίας, είναι πιθανό να είναι ιδιαίτερα υψηλή. Για να αποφύγετε τα εγκαύματα, μην αγγίζετε αυτά τα τμήματα (εικ. 12-13).
- Η μεταφορά του συμπιεστή θα πρέπει να γίνεται είτε ανυψώνοντάς τον, είτε χρησιμοποιώντας τις ειδικές λαβές (εικ. 5-6).
- Τα παιδιά και τα ζώα θα πρέπει να παραμένουν μακριά από το χώρο εργασίας του μηχανήματος.
- Εάν χρησιμοποιείτε το συμπιεστή για εργασίες βαφής:
  - α) Μην εργάζεστε σε κλειστούς χώρους ή κοντά σε πηγές γυμνής φλόγας.
  - β) Βεβαιωθείτε ότι ο χώρος στον οποίο εργάζεστε διαθέτει ειδικό σύστημα εξαερισμού.
  - γ) Να προστατεύετε τη μύτη και το στόμα σας, χρησιμοποιώντας μάσκα κατάλληλη για το σκοπό αυτό (σχ. 21).
- Μην χρησιμοποιείτε το συμπιεστή εάν το καλώδιο τροφοδοσίας ή το φίς του καλωδίου παρουσιάζει φθορές. Θα πρέπει να αναθέσετε σε ένα εξουσιοδοτημένο κέντρο επισκευών την αντικατάσταση των εξαρτημάτων αυτών με γνήσια ανταλλακτικά.
- Όταν ο συμπιεστής είναι τοποθετημένος σε επιφάνεια που βρίσκεται ψηλότερα από το δάπεδο, θα πρέπει να είναι ειδικά στερεωμένος ώστε να αποτραπεί ή πτώση του κατά τη διάρκεια της λειτουργίας.
- Για να αποφύγετε τις σωματικές βλάβες και τις βλάβες στο συμπιεστή δεν πρέπει να εισάγετε αντικείμενα ή τα χέρια σας στα προστατευτικά καλύμματα.
- Για να αποφύγετε την πρόκληση σοβαρών βλαβών και/ή τραυματισμών, δεν πρέπει να χρησιμοποιείτε το συμπιεστή ως αμβλύ εργαλείο και να μην τον στρέφετε προς άτομα, αντικείμενα ή ζώα.
- Εάν ο συμπιεστής δεν πρόκειται να χρησιμοποιηθεί για κάποιο διάστημα, να αποσυνδέετε το φίς από την πρίζα.

### CE MEGFELELŐSÉG IGAZOLÁSA (H)

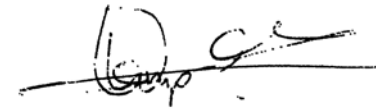
Saját kizárólagos felelősségünk tudatában kijelentjük, hogy jelen termék megfelel az alábbi szabványoknak vagy normatív dokumentumoknak

**prEN1012-1, prEN1012-2, EN60204-1, EN-12100, ISO5388, EN55014-2, EN61000-3-2, EN61000-3-3**

az alábbi szabályozásoknak megfelelően:

**98/37/EEC, 73/23/EEC, 9/336/EEC, 87/404/EEC**

01-01-2006-től  
**ZWOLLE, HOLLANDIA**



W. Kamphof  
Minőségügyi osztály

Mivel arra törekszünk, hogy folyamatosan tökéletesítsük termékeinket, fenntartjuk a jogot, hogy – előzetes bejelentés nélkül – megváltoztassuk a termékleírásokat.

**Ferm BV • Lingenstraat • 8028 PM Zwolle • Hollandia**



## OLEJOVÝ KOMPRESOR FCO-1524

Číslo v následujícím textu se vztahují k obrázkům na straně 2-3.



Před použitím stroje si pozorně přečtěte tento návod. Buďte si jisti, že víte, jak stroj funguje a jak jej ovládat. Údržbu stroje provádějte v souladu s instrukcemi, abyste zajistili jeho správnou činnost. Uschovejte tento manuál a přiloženou dokumentaci ke stroji.

### Obsah

1. Detaily stroje
2. Bezpečnostní pokyny
3. Použití
4. Závady
5. Údržba

## 1. DETAILY STROJE

### Technické údaje

Napětí	230V~
Frekvence	50 Hz
Kapacita	1.5 KS
Volnoběžná rychlost	2800/min
Třída krytí (IP)	IP 33
Obsah nádrže	24 litrů
Přívod vzduchu	160 l/min
Max. výstupní tlak	8.0 bar
Hmotnost	27.15 kg
Hladina akustického výkonu	91.0 dB (A)

Hodnota hladiny hluku může vzrůst z 1 na 10 dB(A) jako funkce prostředí, ve kterém bude kompresor nainstalován.

### Informace o výrobku

#### Obr. A

1. Kryt
2. Rukojeť
3. Spínač
4. Automatický vypínač
5. Regulátor tlaku
6. Rychlospojka (výstup)
7. Tlakoměr (regulátor tlaku)
8. Tlakoměr (nádrž)
9. Pojistný ventil
10. Tlaková trubice

8. Děičtes pícešes (aeroulaakíou)
9. Balbída asfáleias
10. Soolhnas pícešes
11. Fíltro aéra
12. Tápa laaiou
13. Elaiolekána
14. Surofingga apostrággisēs

## 2. ΚΑΝΟΝΙΣΜΟΙ ΑΣΦΑΛΕΙΑΣ

### Επεξήφηση συμβόλων

Se autó to eγγειρίδιο xρhσιμοποιouúntai ta παρακάτω σύμβολα:



Διαβάστε τις οδηγίες.



Se enarμόnιση με ουσιώδη ισχύοντα πρότυπα ασφαλείας των Ευρωπαϊκών Οδηγιών.



Επισημαίνει τον κίνδυνο προσωπικού τραυματισμού, θανάτου ή πρόκλησης βλάβης στο εργαλείο, σε περίπτωση μη τήρησης των οδηγιών που αναγράφονται σε αυτό το εγγειρίδιο.



Επισημαίνει τον κίνδυνο πρόκλησης ηλεκτροπληξίας.



Αποσυνδέστε το ρευματολήπτη (φως) από την πρίζα



Η λειτουργία του συμπιεστή είναι πλήρως αυτοματοποιημένη. Ο ρυθμιστής πίεσης θα διακόψει τη λειτουργία του συμπιεστή όταν η τιμή της πίεσης φτάσει στη μέγιστη τιμή και θα τον θέσει και πάλι σε λειτουργία όταν η τιμή της πίεσης πέσει χαμηλότερα από την ελάχιστη τιμή.



Κίνδυνος υψηλών θερμοκρασιών.

Προσοχή: το μηχάνημα αποτελείτε από κάποια εξαρτήματα τα οποία ενδέχεται να αναπτύξουν υψηλή θερμοκρασία.



Φοράτε μέσα προστασίας της ακοής.



Επίπεδο ισχύος ήχου



Ελαττωματικά και /ή απορριμμένα ηλεκτρικά ή ηλεκτρονικά αντικείμενα πρέπει να συλλέγονται στις κατάλληλες τοποθεσίες ανακυκλώσεως.



## ΕΛΑΙΟΛΙΠΑΙΝΟΜΕΝΟΣ ΣΥΜΠΙΕΣΤΗΣ FCO-1524

Οι αριθμοί στο παρακάτω κείμενο αναφέρονται στις εικόνες της σελίδας 2 - 3.



Πριν χρησιμοποιήσετε το μηχάνημα, διαβάστε προσεκτικά αυτό το εγχειρίδιο. Βεβαιωθείτε ότι γνωρίζετε τον τρόπο λειτουργίας του μηχανήματος, καθώς και τον τρόπο χειρισμού του. Να συντηρείτε το μηχάνημα σύμφωνα με τις οδηγίες, έτσι ώστε να λειτουργεί πάντα σωστά. Να διατηρείτε αυτό το εγχειρίδιο, καθώς και το υλικό τεκμηρίωσης που συνοδεύει το μηχάνημα, κοντά στο μηχάνημα.

### Περιεχόμενα

1. Λεπτομέρειες που αφορούν το μηχάνημα
2. Κανονισμοί ασφαλείας
3. Χρήση
4. Βλάβες
5. Συντήρηση

## 1. ΛΕΠΤΟΜΕΡΕΙΕΣ ΠΟΥ ΑΦΟΡΟΥΝ ΤΟ ΜΗΧΑΝΗΜΑ

### Τεχνικές προδιαγραφές

Τάση	230V~
Συχνότητα	50 Hz
Χωρητικότητα	1.5 HP
Ταχύτητα εν κενώ	2800/λεπτό
Κλάση IP	IP 33
Χωρητικότητα αεροθυλακίου	24 λίτρα
Παροχή αέρα εισόδου	160λίτρα/λεπτό
Μέγ. πίεση εξόδου	8.0 bar
Βάρος	27.15 kg
Επίπεδο ισχύος ήχου	91.0 dB (A)

Είναι πιθανόν η τιμή της στάθμης του θορύβου να αυξηθεί από 1 έως και 10 dB(A), ανάλογα με τις συνθήκες που επικρατούν στο χώρο όπου θα εγκατασταθεί ο συμπιεστής.

### Πληροφορίες για το προϊόν

#### Εικ. 1

1. Κάλυμμα
2. Λαβή
3. Διακόπτης
4. Διακόπτης αυτόματης διακοπής λειτουργίας
5. Ρυθμιστής πίεσης
6. Ταχυσύνδεσμος (εξόδου)
7. Δείκτης πίεσης (ρυθμιστή πίεσης)

11. Vzduchový filtr
12. Mazací hlavice
13. Jímka
14. Vypouštěcí kohoutek

## 2. BEZPEČNOSTNÍ POKYNY

### Význam symbolů

V tomto manuálu jsou použity následovní symboly:



Pročtěte si návod.



Nářadí splňuje bezpečnostní požadavky příslušných evropských směrnic.



Označuje riziko zranění nebo usmrcení osob nebo poškození nástroje v případě nedodržení instrukcí uvedených v tomto návodu.



Označuje riziko elektrického šoku.



Vyjměte zástrčku ze sítě



Provoz kompresoru je plně automatický. Regulátor tlaku zastaví kompresor, když se dosáhne maximální hodnota a znovu se spustí, když tlak klesne pod minimální hodnotu.



Riziko vysokých teplot. Pozor: přístroj obsahuje některé části, které mohou dosahovat vysokých teplot



Na uších noste prostředky ochrany sluchu.



Hladina akustického výkonu



Vadný a nebo vyhozený elektrický či elektronický přístroj musí být dodán na příslušné recyklační míst.

### Speciální bezpečnostní pokyny

- Pro správný provoz stroje za plného a stálého zatížení při maximálním provozním tlaku zabezpečte, aby teplota pracovního prostředí v uzavřené místnosti nebyla vyšší než +25°C.

- Doporučujeme používat kompresor s maximálním provozem 70% v jedné hodině při plném zatížení, aby stroj mohl dlouhodobě správně pracovat.
- Před odšroubováním spojů nádrže zkontrolujte, zda je nádrž úplně odtlakována.
- Je zakázané vrtat nebo svářet díry nebo úmyslně deformovat nádrž stlačeného vzduchu.
- Na kompresoru neprovádějte žádné zásahy, než vytáhněte zástrčku ze zásuvky.
- Na kompresor nesměřujte proud vody nebo hořlavé kapaliny.
- Do blízkosti kompresoru nedávejte hořlavé předměty.
- Regulátor tlaku během klidového času přepněte do polohy „0“ (vypnuto).
- Proud vzduchu nemiřte proti lidem nebo zvířatům (obr. 20).
- Kompresor nepřevázejte s natlakovanou nádrží.
- Poznámka: některé části kompresoru jako je hlava nebo trubky mohou dosáhnout vysokých teplot. Těchto částí se nedotýkejte, abyste se nepopálil/a (obr. 12-13).
- Kompresor přepravujte po zvednutí nebo použití speciálních úchytek a rukojetí (obr. 5-6).
- V provozní oblasti stroje se nesmí nacházet děti a zvířata.
- Pokud kompresor používáte k stříkání barev:
  - a) *Nepracujte v uzavřených místnostech nebo v blízkosti otevřeného ohně.*
  - b) *Zabezpečte, aby pracoviště mělo dostatečnou ventilaci.*
  - c) *Nos a ústa si chraňte na to určenou maskou (obr. 21).*
- Kompresor nepoužívejte, pokud je poškozen elektrický kabel nebo zástrčka. Požádejte autorizovaný servis o výměnu za originální náhradní díly.
- Pokud je kompresor umístěn na povrch vyšší než podlaha, musí být zabezpečen před spadnutím během provozu.
- Do ochranného krytu nekládejte ruce ani žádné předměty, abyste se vyhnul/a zranění a poškození kompresoru.
- Kompresor nepoužívejte jako tupý nástroj proti osobám, předmětům nebo zvířatům, abyste nezpůsobil/a vážnou škodu.
- Pokud kompresor nebudete dál používat, vždy vytáhněte zástrčku ze zásuvky.
- Vždy se přesvědčte, že na stlačený vzduch se používají pneumatické hadice s maximálním tlakem přizpůsobeným kompresoru. Když jsou tyto hadice poškozené, nepokoušejte se je opravovat.

### Elektrická bezpečnost

#### Pokyny k uzemnění

Tento kompresor musí být během použití uzemněný, aby byla obsluha chráněna proti elektrickému šoku. Kompresor je vybaven dvoužilovým kabelem plus uzemněním. Elektrickou přípojku musí udělat kvalifikovaný elektrikář. Doporučujeme kompresor nikdy nerozebírat ani neprovádět jiná zapojení regulátora tlaku. Opravy by měly provádět autorizované servisy nebo jiná kvalifikovaná střediska.



*Nezapomeňte, že uzemňovací kabel je zelený nebo žluto-zelený. Tento zelený kabel nikdy nezapájejte do koncovky pod proudem.*

Před výměnou napájecí zástrčky se přesvědčte, že je zapojený uzemňovací kabel. Pokud máte pochybnosti, zavolejte kvalifikovaného elektrikáře a nechejte si uzemnění zkontrolovat.

### Неисправности

В случае неисправности, напр., после износа какой-либо части, обратитесь по адресу пункта обслуживания, указанному в гарантийном талоне. Покомпонентное представление изображения частей, которые можете заказать, вы найдете на последней странице руководства.

### Защита окружающей среды

Во избежание транспортных повреждений изделие поставляется в прочной упаковке. Значительная часть материалов упаковки подлежит утилизации, поэтому просим передать упаковку в соответствующую специализированную организацию.



*Неисправный и/или бракованный электрический или электронный прибор должен быть утилизирован должным образом.*

### Гарантия

Для ознакомления с условиями гарантии, прочитайте гарантийный талон на обороте этой инструкции по эксплуатации.

## CE DEKLARACIJA O SOODVETSTVIU (RUS)

Под нашу исключительную ответственность удостоверяем, что данное изделие удовлетворяет следующим стандартам и нормативным документам

**prEN1012-1, prEN1012-2, EN60204-1, EN-12100, ISO5388, EN55014-2, EN61000-3-2, EN61000-3-3**

в соответствии с правилами

**98/37/EEC, 73/23/EEC, 89/336/EEC, 87/404/EEC**

начиная с 01-01-2006

**ZWOLLE NL**

В. Капмхоф  
Отдел контроля качества

Постоянное улучшение нашей продукции является нашей политикой и, поэтому, мы оставляем за собой право на изменение технических характеристик продукции без предварительного уведомления.

**Ferm BV • Lingenstraat 6 • 8028 PM Zwolle • Нидерланды**

## Чистка

Регулярно протирайте корпус инструмента мягкой тканью, предпочтительно, после каждого использования. Вентиляционные отверстия должны содержаться в чистоте. Для удаления устойчивых загрязнений воспользуйтесь мягкой тканью, смоченной в мыльном растворе. Никогда не применяйте такие растворители, как бензин, спирт, аммиачный раствор и т.д. Эти растворители могут повредить пластиковые детали.

## Смазка

Рекомендуется разбирать фильтр всасывания воздуха через каждые 50 часов работы и очищать фильтрующий элемент, продувая его сжатым воздухом (рис. 15). Если компрессор работает в чистой среде, рекомендуется заменять фильтрующий элемент хотя бы раз в год, а если он расположен в запыленной среде, то чаще. При работе компрессора образуется вода, которая собирается в резервуаре. Хотя бы раз в неделю необходимо удалять воду из резервуара, открывая дренажный вентиль (рис. 16) под резервуаром. Будьте осторожны, когда в резервуаре находится сжатый воздух, т.к. вода может выходить с той же силой. Рекомендуемое максимальное давление 1 - 2 бара.



*Конденсированную влагу из компрессора с масляной смазкой не следует выбрасывать в канализацию или в окружающую среду, т.к. она содержит масло.*

## Замена/дозаправка масла

Компрессор поставляется с заправкой синтетическим маслом "SAE 10W30". В течение первых 100 часов работы рекомендуется полностью заменить масло насосной системы.

- Открутите дренажную пробку (указатель) на крышке маслосборника, выпустите все масло и закрутите пробку на место (рис. 17).
- Залейте масло через верхнюю крышку маслосборника (рис. 18) до достижения уровня, показанного на указателе (рис. 8). Проверяйте уровень масла в насосной системе каждую неделю а в случае необходимости пополняйте его.

Для работы при температуре окружающего воздуха от -5°C до +35°C применяйте синтетическое масло "SAE 10W30". Синтетическое масло имеет то преимущество, что оно не теряет своих характеристик ни в зимнее, ни в летнее время.



*Нельзя выбрасывать отработанное масло в канализацию или в окружающую среду.*

При замене масла следует придерживаться следующей таблицы.

Тип масла	Часы работы
Всесезонное масло SAE 10W30	100 или через 6 месяцев

## Продуžovací kabely

Používejte pouze prodlužovací kabely se zástrčkou a uzemněním a nikdy nepoužívejte poškozené nebo ploché prodlužovací kabely. Zkontrolujte, zda je prodlužovací kabel v dobrém stavu. Prodlužovací kabel pro tento přístroj musí mít průměr nejméně 2,5 mm<sup>2</sup> (vztahuje se to na maximální délku 20 metrů). Prodlužovací kabely před použitím vždy úplně odviňte.

## Elektrické zapojení

Vždy zkontrolujte, zda vstupné napětí motoru odpovídá napětí sítě uvedenému na štítku s údaji. Kompressor se dodává s elektrickým kabelem a dvoupólovou zástrčkou s uzemněním. Je důležité připojit kompressor uzemněnou zástrčkou. (obr. 9)



*Nikdy nepoužívejte uzemňovací drát namísto nulového drátu. Uzemnění musí být provedeno v souladu se směrnici pro prevenci nehod (EN 60204).*

## 3. POUŽITÍ



*Pouze pro domácí použití*

**Poznámka:** Informace, jenž naleznete v tomto návodě, byly napsány, aby pomohly obsluze při použití a údržbě kompresoru. Některé ilustrace v tomto návodě zobrazují detaily, které se mohou lišit od vašeho kompresoru.

## Instalace

Po vyjmutí kompresoru z obalu (obr. 1) a zkontrolování, zda je v bezchybném stavu, a po zjištění, že během přepravy nedošlo k žádnému poškození, je třeba provést následující kroky. Pokud ještě uchycena kolečka a gumové nožičky, uchyťte je podle pokynů uvedených na obr. 2. Kompressor umístěte na rovný povrch nebo povrch s maximálním sklonem 10° (obr. 3), v dobře větrané místnosti, kde bude chráněn před povětrnostními vlivy a nebude v explozivním prostředí. Pokud je povrch nakloněný a hladký, přesvědčte se. Pokud je kompressor umístěn na desce nebo plošně skříňe, řádně ho zabezpečte, aby nemohl spadnout. Kvůli správné ventilaci a účinnému chlazení je důležité, aby kompressor byl umístěn nejméně 100 cm od zdi (obr. 4).



*Zabezpečte, aby kompressor byl převážen v správné poloze, neatáčejte jej vzhůru nohama a nezvedejte jej pomocí háků nebo lan (obr. 5-6).*

## Důležité! Před uvedevím do provozu

Odstraňte plastový kryt z víka jímky. Jímku naplňte dodaným olejem (250 ml). Odměrka ve spodní části jímky indikuje hladinu oleje: měla by být na úrovni červené tečky (obr. 7 a 8).

## Spouštění

- Zkontrolujte, zda napětí ve vaší síti odpovídá hodnotě uvedené na elektrickém typovém štítku přístroje (obr. 10), povolená tolerance je 5%.

- Stiskněte vypínač umístěný na horní straně do polohy „0“ podle typu regulátoru tlaku upevněného na přístroji (obr. 11).
- Zástrčku vložte do zásuvky (obr. 9) a spusťte kompresor tím, že vypínač regulátoru tlaku dáte do polohy „I“. Provoz kompresoru je plně automatický. Regulátor tlaku zastaví kompresor, když se dosáhne maximální hodnota a znovu se spustí, když tlak klesne pod minimální hodnotu. Normálně je rozdíl tlaku přibližně 2 bar/29 psi mezi maximální a minimální hodnotou. Například: kompresor se zastaví, když dosáhne 8 bar (116 psi) (to je maximální provozní tlak) a automaticky se spustí, když tlak v nádrži klesne na 6 bar (87 psi).



*Souprava trubek hlava/válec/převod může dosáhnout vysokých teplot, takže buďte opatrní/á, když budete pracovat v blízkosti těchto částí a nedotýkejte se jich, abyste předešel/la popáleninám (obr. 12 - 13).*

### Nastavení provozního tlaku

#### Obr. 14

Není potřebné stále používat maximální provozní tlak, pneumatické nástroje často vyžadují nižší tlak. U kompresorů dodávaných s tlakovým redukčním ventilem je důležité řádně nastavit provozní tlak. Provozní tlak je možné nastavit použitím otočného knoflíku na redukčním ventilu.

- Otočením ve směru hodinových ručiček se tlak zvýší.
- Otočením proti směru hodinových ručiček se tlak sníží.

Nastavený tlak můžete zablokovat otočením kroužku pod otočným knoflíkem opačným směrem proti otáčení knoflíku, čímž se otočný knoflík zablokuje. Nastavený tlak je vidět na manometru na redukčním ventilu.

## 4. ZÁVADY

### Ztráta vzduchu

- Může být způsobena špatným těsněním spoje.
  - *Zkontrolujte všechny spoje tak, že je namočíte mýdlovou vodou.*

### Kompresor běží, ale nestláčí vzduch

#### Obr. 19

- Může to být způsobeno poškozenými ventily (C-C2) nebo těsněním (B1-B2).
  - *Poškozené části vyměňte.*

### Kompresor se nespustí

Pokud se kompresor těžko startuje, zkontrolujte:

- zda napětí sítě odpovídá napětí uvedenému na typovém štítku (obr. 10)
- zda použité elektrické prodlužovací kabely mají správné jádro a délku
- zda provozní prostředí není příliš chladné (pod 0°C).
- zda je v jímce olej pro zabezpečení mazání (obr. 8)
- zda není přerušena dodávka elektrické energie (zástrčka je řádně zapojena, magneto-tepelné pojistky nejsou poškozeny).

Zadané tlak lze zaфиксировать, повернув кольцо под рукояткой против поворота рукоятки и зафиксировав таким образом поворотную рукоятку. Заданное давление видно на манометре редуцирующего клапана.

## 4. НЕИСПРАВНОСТИ

### Потери воздуха

- Могут возникать вследствие плохого уплотнения соединения.
  - *Проверьте все соединения, смочив их мыльной водой.*

### Компрессор работает, но не сжимает воздуха.

#### Рис. 19

- Возможная причина - выход из строя клапанов (C-C2) или прокладки (B1-B2).
  - *Замените поврежденную деталь.*

### Компрессор не запускается.

Если компрессор трудно запустить, проверьте:

- соответствует ли напряжение питания указанному на табличке электрических характеристик (рис. 10)
- не используются ли удлинители с поврежденным проводником или неправильной длины.
- не слишком ли холодно в рабочей зоне (ниже 0°C).
- есть ли в маслосборнике масло, обеспечивающее смазку (рис. 8)
- есть ли электрическое питание (хорошо ли вставлена вилка, не разомкнуты ли магнитно-тепловые предохранители).

### Компрессор не выключается

Если компрессор не выключается при достижении максимального давления, сработает предохранительный клапан резервуара. Необходимо обратиться за ремонтом в ближайшую уполномоченную Службу поддержки.

## 5. ТЕХНИЧЕСКОЕ ОБСЛУЖИВАНИЕ

### Обслуживание



*Перед выполнением работ, связанных с обслуживанием двигателя, убедитесь, что вилка шнура инструмента не подключена к сетевой розетке.*

Оборудование компании Ferm предназначено для надёжной эксплуатации в течение длительных сроков с минимальными затратами на обслуживание. Успешная эксплуатация инструмента зависит от должного ухода и регулярной чистки. Прежде чем каким-либо образом вмешиваться в работу компрессора, убедитесь в следующем:

- Главный линейный выключатель переведен в положение "0".
- Регулятор давления и щитовые выключатели переведены в положение "0".
- Давление в резервуаре сжатого воздуха сброшено полностью.

Он должен быть защищен от атмосферных явлений и установлен вне взрывоопасного окружения. Если поверхность установки гладкая и имеет наклон, обеспечьте, чтобы во время работы компрессор не перемещался; в противном случае зажмите колеса двумя клиньями. Если поверхность установки представляет собой полку стеллажа, обеспечьте компрессору устойчивость, надежно закрепив его. Для обеспечения хорошей вентиляции и эффективного охлаждения важно, чтобы компрессор был расположен на расстоянии хотя бы 100 см от стены (рис. 4).



*Убедитесь, что компрессор транспортируется правильно, не переворачивайте его вверх ногами и не поднимайте его крюками или тросами (рис. 5-6).*

### **Важно! Перел запуском в эксплуатацию**

Снимите пластиковый колпачок с крышки маслосборника. Заполните маслосборник прилагаемым маслом (250 мл). Указатель в нижней части маслосборника показывает уровень масла: сейчас уровень должен совпадать с красной точкой (рис. 7 и 8).

### **Запуск**

- Проверьте, соответствует ли напряжение сети значению, указанному на табличке электрических характеристик (рис. 10). Допустимое отклонение должно лежать в пределах 5%.
- Переверните переключатель в верхней части в положение "0", в соответствии с типом регулятора давления, установленным на аппарате (рис. 11).
- Вставьте вилку в штепсельную розетку (рис. 9) и запустите компрессор, повернув переключатель регулятора давления в положение "I". Работа компрессора полностью автоматическая. Регулятор давления останавливает компрессор при достижении максимального давления и запускает его при падении давления ниже минимума. Обычно разность максимального и минимального давлений составляет 2 бара/29 фунтов силы на кв. дюйм. Например: компрессор остановится, когда давление достигнет 8 бар (116 фунтов силы на кв. дюйм) (это максимальное рабочее давление) и автоматически запустится при падении давления в резервуаре ниже 6 бар (87 фунтов силы на кв. дюйм).



*Узел головки/цилиндра/трубы может нагреваться до высоких температур. Поэтому, работая поблизости, соблюдайте осторожность, чтобы не коснуться этих деталей и избежать ожогов (рис. 12 - 13).*

### **Настройка рабочей температуры**

#### **Рис. 14**

Не всегда надо применять максимальное рабочее давление; для инструментов на сжатом воздухе часто необходимо меньшее давление. Для компрессоров, оснащенных редукционным клапаном давления, необходимо правильно установить рабочее давление. Установить рабочее давление можно поворотом рукоятки на редукционном клапане.

- При повороте ее по часовой стрелке давление повышается.
- При повороте ее против часовой стрелки давление понижается.

### **Компрессор se nevyzne**

Pokud se kompresor nevyzne po dosáhnutí maximálního tlaku, aktivuje se bezpečností ventil nádrže. Je potřebné obrátit se na nejbližší autorizovaný servis.

## **5. ÚDRŽBA**

### **Údržba**



*Dbejte, aby při údržbových činnostech na motoru byla zástrčka odpojena od sítě.*

Nářadí firmy Ferm je konstruováno tak, že dokáže fungovat dlouho při minimálních nárocích na údržbu. Aby fungovalo stále dobře, je třeba mu věnovat příslušnou péči a pravidelně je čistit. Před jakýmkoli zásahem do kompresoru se přesvědčte, že:

- Hlavní vypínač je v poloze „0“.
- Regulátor tlaku a vypínače na spínacím panelu jsou vypnuty v poloze „0“.
- Vzduchová nádrž je úplně odtlakována.

### **Čištění**

Pravidelně, nejlépe po každém použití, čistěte měkkou tkaninou kryt náradí. Zvláště dbejte, aby se ve větracích otvorech nehromadil prach a nečistoty. Pokud nečistoty příliš lpí, použijte měkkou tkaninu smočenou v mýdlové vodě. Rozpouštědla, jako je benzin, alkohol, čpavková voda apod., nikdy nepoužívejte; mohla by naleptat plastové díly.

### **Mazání**

Doporučuje se rozebrat nasávací filtr po každých 50 provozních hodinách a vyčistit těleso filtru pomocí stlačeného vzduchu (obr. 15). Doporučuje se vyměnit těleso filtru nejméně jednou ročně, pokud kompresor pracuje v čistém prostředí; častěji, pokud je prostředí, ve kterém je kompresor umístěn, prašné. Kompresor vytváří kondenzovanou vodu, který se sbírá v nádrži. Nejméně jednou týdně je potřebné kondenzovanou vodu z nádrže odstranit otevřením vypouštěcího kohoutku (obr. 16) pod nádrží. Dávejte pozor, když je v láhvi stlačený vzduch, protože voda může vyjít s jistou silou. Doporučený tlak max. 1-2 bar.



*Kondenzovanou vodu z olejem mazaného kompresoru nesmíte vylít do kanalizace nebo do životního prostředí, protože obsahuje olej.*

### **Výměna/doplnění oleje**

Kompresor se dodává se syntetickým olejem „SAE 10W30“. Doporučuje se olej čerpacího systému úplně vyměnit během prvních 100 provozních hodin.

- Odšroubujte vypouštěcí zátku (měřidlo) na víku jímky, nechte vytéct veškerý olej a zástrčku našroubujte zpátky (obr. 17).
- Olej doplňte přes horní díru na víku jímky (obr. 18), dokud se nedosáhne hladina uvedena na měřidle (obr. 8). Hladinu oleje čerpacího systému kontrolujte každý týden a v případě potřeby olej doplňte.



При провозу при внешней температуре -5°C až +35°C použijte syntetický olej „SAE 10W30“. Syntetický olej má výhodu, že neztrácí svoje vlastnosti ani v létě ani v zimě.



*Olej nesmíte vylít do kanalizace nebo do životního prostředí.*

При výměně oleje dodržujte níže uvedenou tabulku:

Typ oleje	Provozní hodiny
Vícetupňového oleje SAE 10W30	100 nebo 12 měsíců

### Заводы

Vznikne-li závada na některé součástce, například vlivem opotřebení, kontaktujte prosím servisní adresu uvedenou na záruční kartě. Na zadní straně návodu naleznete schematický náčrt, které součástky lze objednat.

### Životní prostředí

Přístroj je dodáván v odolném balení, které zabraňuje jeho poškození během přepravy. Většinu z materiálů, které jsou na balení použity, lze recyklovat. Zbavujte se jich proto pouze na místech určených pro odpad příslušných látek.



*Vadný a nebo vyhozený elektrický či elektronický přístroj musí být dodán na příslušné recyklační místo.*

### Зáruка

Záruční podmínky najdete v záručním listu za tímto návodem k použití.

Рекомендуем ни в коем случае не разбирать компрессор и не выполнять никаких других подключений к регулятору давления. Ремонт должен проводиться только уполномоченной Службой поддержки или другими квалифицированными центрами.



*Никогда не забывайте, что проводник заземления - это зеленый или желто-зеленый провод. Ни в коем случае не подключайте этот зеленый провод к клемме под нагрузкой.*

Перед заменой вилки питания убедитесь, что проводник заземления подключен. В сомнительных случаях вызовите квалифицированного электрика и проверьте заземление.

### Удлинитель

Пользуйтесь только удлинителем с вилкой и заземлением. Никогда не пользуйтесь поврежденными или расплюснутыми удлинителями. Убедитесь, что удлинитель находится в хорошем состоянии. Для данного аппарата удлинитель должен иметь сечение как минимум 2,5 мм<sup>2</sup> (это относится к максимальной длине 20 метров). Перед использованием всегда разматывайте удлинители.

### Электрическое подключение

Всегда проверяйте, соответствует ли входное напряжение двигателей напряжению питания, указанному на паспортной табличке. Компрессоры оснащены электрическим кабелем и двухполюсной вилкой с заземлением. Важно включать компрессор в розетку для вилки с заземлением. (рис. 9)



*Ни в коем случае не используйте заземление вместо нейтрали (нуль-провода)! Заземление должно производиться в соответствии с правилами предупреждения несчастных случаев (EN 60204).*

## 3. ИСПОЛЬЗОВАНИЕ



*Только для домашнего использования*

**Примечание:** Информация, которую Вы найдете в данном руководстве, составлена для содействия оператору в использовании и техническом обслуживании компрессора. На некоторых иллюстрациях в данном руководстве показаны подробности, которые отличаются от соответствующих подробностей компрессора.

### Установка

Распаковав компрессор (рис. 1), убедившись в его прекрасном состоянии, и сделав запись об отсутствии повреждений при транспортировании, следует сделать следующее. Установите колесики и резиновый колпачок на резервуар, если они еще не установлены, в соответствии с инструкциями, представленными на рис. 2. Установите компрессор на ровной поверхности с максимальным уклоном 10° (рис. 3), в зоне с хорошей вентиляцией.



- Чтобы обеспечить хорошую работу изделия на протяжении продолжительного времени, рекомендуется использовать компрессор с максимальным временем эксплуатации на протяжении часа 70%.
- Прежде чем раскручивать соединения резервуара, убедитесь, что давление из резервуара полностью выпущено.
- Запрещается сверлить отверстия, приваривать что-либо или намеренно деформировать резервуар сжатого воздуха.
- Не производите на компрессоре никаких работ, не вынув предварительно вилку из штепсельной розетки.
- Не направляйте на компрессор струй воды или легковоспламеняющихся жидкостей.
- Не размещайте возле компрессора легковоспламеняющихся предметов.
- На время стоянки переключайте регулятор давления в положение "0" (OFF = выключено).
- Ни в коем случае не направляйте струю воздуха на людей или животных (рис. 20).
- Не перевозите компрессор с резервуаром под давлением.
- Примечание: некоторые детали компрессора, например головка и трубки головки, могут иметь высокую температуру. Не прикасайтесь к этим деталям, чтобы избежать ожогов (рис. 12, 13).
- Перемещайте компрессор, поднимая его за специальные рукоятки или ручки (рис. 5-6).
- Детей и животных следует держать подальше от зоны работы аппарата.
- Если компрессор используется для распыления краски:
  - а) *Не работайте в закрытых помещениях или возле открытого огня.*
  - б) *Убедитесь, что в зоне, где Вы будете работать, есть специальная вентиляция.*
  - в) *Защитите нос и рот специальной маской (рис. 21).*
- Если электрический кабель или вилка повреждены, не используйте компрессор и распорядитесь, чтобы уполномоченная Служба поддержки заменила их оригинальными.
- Если компрессор располагается на поверхности выше уровня пола, следует закрепить его, чтобы он не упал во время работы.
- Во избежание травмы и повреждения компрессора, не кладите на защитные крышки ни рук, ни каких-либо предметов.
- Во избежание тяжелых травм, не используйте компрессор в качестве орудия против людей или животных.
- Если компрессор не используется, всегда вынимайте вилку из штепсельной розетки.
- Всегда обеспечивайте использование для сжатого воздуха шлангов, рассчитанных на максимальное давление, установленное на компрессоре. Если шланг поврежден, не пытайтесь отремонтировать его.

### Электрическая безопасность

#### Правила заземления

Во время эксплуатации данный компрессор должен быть заземлен, чтобы защитить оператора от поражения электрическим током. Компрессор оснащен двухжильным кабелем с заземлением. Электрическое подключение должен осуществлять квалифицированный технический специалист.

## CE PROHLÁŠENÍ O SPLNĚNÍ NOREM (CZ)

Na vlastní odpovědnost vyhlášíme, že tento výrobek je ve shodě s následujícími normami a normovanými dokumenty:

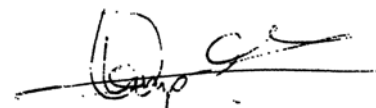
**prEN1012-1, prEN1012-2, EN60204-1, EN-12100, ISO5388, EN55014-2, EN61000-3-2, EN61000-3-3**

v souladu se směrnicemi

**98/37/EEC, 73/23/EEC, 89/336/EEC, 87/404/EEC**

Dne 01-01-2006

**ZWOLLENL**



W. Kamphof  
Oddělení kvality

Jelikož naší politikou je naše výrobky soustavně zlepšovat, vyhrazuje si právo bez předchozího upozornění specifikaci výrobku změnit.

**Ferm BV • Lingenstraat 6 • 8028 PM Zwolle • The Netherlands**

# KOMPRESOR NA OSNOVI OLJA FCO-1524

Številke spodaj ustrezajo slikam na strani 2-3.



Pred začetkom del z orodjem pozorno preberite navodila za uporabo. Natančno se seznanite z delovanjem. Orodje vzdržujte v skladu z navodili, in tako omogočite dolgotrajno in uspešno delovanje. Navodila za uporabo in priloženo dokumentacijo hranite skupaj z orodjem.

## Vsebina

1. Podatki o stroju
2. Varnostni predpisi
3. Uporaba
4. Okvare
5. Vzdrževanje

## 1. PODATKI O STROJU

### Tehnični podatki

Napetost	230V~
Frekvenca	50 Hz
Zmogljivost	1.5 pK
Hitrost v prostem teku	2800/min
IP Razred	IP 33
Vsebina rezervoarja	24 litrov
Dovod zraka	160 l/min
Največji izpustni tlak	8.0 barov
Teža	27.15 kg
Stopnja hrupa	91.0 dB (A)

Nivo hrupa se lahko dvigne od 1 do 10 dB(A), odvisno od okolja, v katerem se kompresor instalira.

### O izdelku

#### Slika A

1. Pokrov
2. Ročaj
3. Stikalo
4. Samodejna zaustavitev
5. Tlačni regulator
6. Hitra vezava (izpust)
7. Tlačni kaliber (tlačni regulator)
8. Tlačni kaliber (rezervoar)
9. Varnostni ventil
10. Tlačna cev

10. Трубопровод давления
11. Воздушный фильтр
12. Колпачок масленки
13. Маслосборник
14. Сливной кран

## 2. ПРАВИЛА ТЕХНИКИ БЕЗОПАСНОСТИ

### Перечень обозначений

В этой инструкции и/или на самом инструменте применяются следующие обозначения:



Прочитайте инструкции.



В соответствии с применимыми стандартами по безопасности директив ЕС



Опасность удара электрическим током.



Выньте вилку из розетки



Перед выполнением каких-либо действий по уходу и обслуживанию отключите устройство от электророзетки.



Работа компрессора полностью автоматическая. Регулятор давления останавливает компрессор при достижении максимального давления и запускает его при падении давления ниже минимума.



Риск высоких температур  
Предупреждение: устройство состоит из деталей, некоторые из которых могут нагреваться до крайне высокой температуры



Надевайте средства защиты органов слуха.



Уровень давления звука



Неисправный и/или бракованный электрический или электронный прибор должен быть утилизирован должным образом.

### Специальные правила техники безопаснос

- Для хорошей работы аппарата с полной постоянной нагрузкой при максимальном рабочем давлении обеспечьте, чтобы температура рабочей среды в закрытой зоне не превышала +25°C.

# МАСЛЯНЫЙ КОМПРЕССОР FCO-1524

Цифры, приведенные ниже в тексте, относятся к рисункам на стр.2 - 3



Перед началом эксплуатации инструмента внимательно ознакомьтесь с данным руководством. В целях обеспечения нормального функционирования инструмента необходимо соблюдать инструкции по уходу и техобслуживанию. Данное руководство и прилагаемую документацию следует хранить вместе с инструментом.

RUS

## Содержание

1. Детали машины
2. Правила техники безопасности
3. Использование
4. Неисправности
5. Техническое обслуживание

## 1. ДЕТАЛИ МАШИНЫ

### Технические характеристики

Напряжение	230 В~
Частота	50 Гц
Емкость	1.5 HP
Скорость холостого хода	2800 об./мин.
Класс IP	IP 33
Объем резервуара	24 л
Всасывание воздуха	160л/мин.
Макс. давление на выходе	8.0 бар
Вес	27.15 кг
Уровень давления звука	91.0 dB (A)

Значение уровня шума может составлять от 1 до 10 дБ (А) в зависимости от среды, в которой компрессор будет установлен.

### Информация об изделии

#### Рис. 1

1. Крышка
2. Ручка
3. Выключатель
4. Автоматический ограничитель
5. Регулятор давления
6. Быстродействующая муфта (выход)
7. Манометр (регулятор давления)
8. Манометр (резервуар)
9. Предохранительный клапан

11. Zračni filter
12. Oljni pokrov
13. Oljna kad
14. Odtočna pipa

## 2. VARNOSTNI PREDPISI

### Vsebina paketa

V navodilih so uporabljeni naslednji slikovni simboli:



Preberite navodila.



To orodje izpolnjuje vse varnostne zahteve, določene v ustreznih evropskih smernicah.



Opozarja na nevarnost telesnih poškodb, ogrožanja življenja, verjetnost poškodb naprave, če se ne upošteva napotkov v navodilih za uporabo.



Opozori na nevarnost električnega šoka.



Vtikač izvlecite iz vtičnice na zidu



Obratovanje kompresorja je popolnoma avtomatsko. Tlačni regulator zaustavi kompresor, ko tlak doseže največjo dovoljeno vrednost in ga ponovno zažene, ko tlak pade pod najmanjšo vrednost.



Opozorilo: stroj vsebuje dele, ki lahko dosežejo visoko temperaturo



Nosite varovala za ušesa.



Stopnja hrupa



Poškodovano ali neuporabno električno napravo odnesite na mesto, pristojno za reciklažo tovrstnega materiala.

### Posebni varnostni predpisi

- Za pravilno obratovanje stroja s polno neprekinjeno obremenitvijo pod največjim obratovalnim tlakom delovna temperatura v zaprtem območju ne sme preseči +25°C.
- Priporočamo, da kompresor uporabljate z največjim obratovanjem 70% eno uro pod polno obremenitvijo in s tem zagotovite pravilno dolgoročno delovanje izdelka.
- Najprej iz rezervoarja spustite tlak in se šele nato lotite odvijanja povezav z rezervoarjem.

- Ni dovoljeno vrtati ali variti oziroma drugače spreminjati rezervoarja za stisnjeni zrak.
- Pred vsemi deli na kompresorju izvlcite vtič iz vtičnice.
- Vodnega curka ali curka vnetljivih tekočin ne usmerjajte v kompresor.
- Ne postavljajte vnetljivih predmetov v bližino kompresorja.
- V času neuporab preklopite tlačni regulator na »0« (OFF=uit).
- Ni dovoljeno usmerjati zračnega curka v ljudi ali živali (Slika 20).
- Kompresorja ne prenašajte, ko je rezervoar pod tlakom.
- Pomni! Nekateri deli kompresorja, kot so glava in dovodne cevi, se lahko zelo segrejejo. Teh delov se ne dotikajte. Nevarnost opeklin (Slike 12-13).
- Kompresor prenašajte tako, da ga dvignete s posebnimi prijemali ali ročajji (Slike 5-6).
- Preprečite dostop v območje obratovanja stroja otrokom in živalim.
- Ko kompresor uporabljate za pršenje barve:
  - a) Ne delajte v zaprtih prostorih ali v bližini odprtega ognja.
  - b) Delovno okolje mora biti ustrezno zračeno.
  - c) Uporabljajte zaščito za dihala in usta (Slika 21).
- Ni dovoljeno uporabljati kompresorja, ko sta poškodovana kabel ali vtič; poškodovane dele odnesite na pooblaščen servis, kjer jih bodo zamenjali z originalnimi deli.
- Ko se kompresor namesti na površino, ki je dvignjena s tal, ga je treba zavarovati in preprečiti padec med obratovanjem.
- Ne odlagajte predmetov na oziroma ne posegajte z rokami v zaščitne pokrove. Nevarnost telesnih poškodb in poškodb kompresorja.
- Kompresorja ni dovoljeno uporabljati kot topega instrumenta proti osebam, predmetom ali živalim. Nevarnost resnih poškodb.
- Ko končate z delom, izvlcite vtič iz vtičnice.
- Za stisnjeni zrak uporabite ustrezne cevi, ki imajo lastnosti največjega tlaka prilagojene lastnostim kompresorja. Poškodovane cevi ne poskušajte popraviti.

### Električna varnost

#### Predpisi za ozemljitev

Kompresor v uporabi je treba ozemljiti in tako zaščititi uporabnika pred električnimi udari. Kompresor je opremljen z dvožilnim kablom plus zemljo. Električno povezavo mora izvesti kvalificirani tehnik. Svetujemo vam, da v nobenem primeru ne poskušate razstaviti kompresorja ali vzpostavljati druge povezave v tlačnemu regulatorju. Stroj odnesite v popravilo na pooblaščen servis oziroma kvalificirani servisni center.



*Pomnite, da je žica zemlja zelena ali rumeno/zelena. Nikoli ne povežite te zelene žice na sponko pod obremenitvijo.*

Pred menjavo napajalnega vtiča se prepričajte, da je povezan kabel zemlja. Če ste v dvomih, pokličite na pomoč kvalificiranega električarja, ki naj preveri ozemljitev.

#### Podaljški

Uporabljajte le podaljške, ki so opremljeni z vtičem in zemljo, in niso poškodovani ali sploščeni. Podaljšek pregledajte, ali je v dobrem stanju. Za to napravo mora podaljšek imeti premer vsaj 2,5mm<sup>2</sup> (to velja za največjo dolžino 20m). Pred uporabo podaljške vedno odvijte do konca.

### Gwarancja

Prosimy o zapoznanie się z warunkami gwarancji przedstawionymi na karcie gwarancyjnej znajdującej się na końcu niniejszej instrukcji obsługi.

## CE OŚWIADCZENIE O ZGODNOŚCI (PL)

Niniejszym oświadczamy, że produkt, którego dotyczy instrukcja, jest zgodny z następującymi standardami i normami:

**prEN1012-1, prEN1012-2, EN60204-1, EN-12100, ISO5388, EN55014-2, EN61000-3-2, EN61000-3-3**

i jest zgodny z następującymi przepisami:

**98/37/EWG, 73/23/EWG, 89/336/EWG, 87/404/EEC**

dnia 01-01-2006  
**ZWOLLE NL**

W. Kamphof  
Dział Jakości

Jednym z założeń polityki firmy jest ciągłe ulepszanie produktów. Dlatego firma zastrzega sobie prawo do zmiany specyfikacji produktów bez uprzedniego powiadomienia.

**Ferm BV • Lingenstraat 6 • 8028 PM Zwolle • Holandia**

W osobnym zbiorniku kompresora zbiera się skroplona para wodna. Konieczne jest usunięcie zebranej w zbiorniku wody przynajmniej raz w tygodniu poprzez odkręcenie kurka spustowego (rys. 16) usytuowanego pod zbiornikiem. W przypadku gdy w butli znajduje się sprężone powietrze, należy zachować wzmożoną ostrożność – wydostanie się wody może mieć gwałtowny przebieg. Zalecane ciśnienie maksymalne: 1-2 bary



Woda usuwana z kompresora olejowego nie powinna przedostać się do kanalizacji lub środowiska, ponieważ zawiera olej.

#### Wymiana/uzupełnianie oleju

Kompresor jest dostarczany wraz z olejem syntetycznym "SAE 10W30". Zaleca się wymianę całego oleju w misce w ciągu pierwszych 100 godzin pracy.

- Odkręcić zatyczkę korka miski olejowej (wskaźnik), uwolnić olej, po czym z powrotem zakręcić zatyczkę (rys. 17).
- Nowy olej wlać przez górny otwór zbiornika (rys. 18) do wysokości zaznaczonej na wskaźniku (rys. 8). Raz w tygodniu sprawdzić poziom oleju w układzie pompy, a w razie konieczności uzupełnić go.

Do eksploatacji w temperaturze otoczenia (od -5°C do +35°C) używać oleju syntetycznego "SAE 10W30. Olej syntetyczny ma tę zaletę, że nie zmienia swoich właściwości niezależnie od pory roku.



Nie pozwolić, by zużyty olej przedostał się do kanalizacji lub środowiska.

Przy wymianie oleju mieć na uwadze poniższą tabelę.

Rodzaj oleju	Liczba godzin pracy
Olej uniwersalny SAE 10W30	100 lub dwunastu miesiącach

#### Awarie

W przypadku wystąpienia awarii (n.p. zużycie części) należy skontaktować się z punktem serwisowym – adresy punktów serwisowych znajdują się na karcie gwarancyjnej. Na końcu niniejszej instrukcji zamieszczony został schemat części zamiennych, które mogą być zamawiane.

#### Ochrona środowiska

Aby zapobiec uszkodzeniom w czasie transportu, urządzenie dostarczane jest w sztywnym opakowaniu składającym się głównie z materiałów nadających się do ponownego przetworzenia. Prosimy o skorzystanie z możliwości ponownego przetworzenia opakowania.



Uszkodzone oraz /lub wybrakowane urządzenie elektryczne lub elektroniczne musi być utylizowane w odpowiedni sposób.

#### Elektryczna povezava

Vedno se najprej prepričajte, da vhodna napetost motorja ustreza omrežni napetosti, kot označeno na ploščici s tehničnimi podatki o stroju. Kompresorji so ob dostavi opremljeni z električnim kablom in dvopolnim vtičem plus zemljo. Kompresor je treba povezati na ozemljeno vtičnico. (Slika 9)



Žice zemlja ni dovoljeno uporabiti namesto nevtralne (0 žice). Ozemljitev se mora opraviti v skladu s predpisi o preprečevanju nesreč (EN 60204).

### 3. UPORABA



Le za domačo uporabo!

**Pomni:** Informacije v tem priročniku so namenjene v pomoč uporabniku pri uporabi in vzdrževanju kompresorja. Nekatere slike v tem priročniku kažejo podrobnosti, ki so morda drugačne od tistih na vašem kompresorju.

#### Instalacija

Ko vzamete kompresor iz embalaže (Slika 1), ga pregledajte, ali je v odličnem stanju, in če ugotovite, da ni prišlo do poškodb med transportom, naredite naslednje. Pritrdite gumast pokrovček na rezervoar v skladu z navodili slike 2. Kompresor namestite na ravno podlago oziroma na nagib največ 10° (Slika 3), v dobro zračen prostor, zaščiten pred dejavniki ozračja, kjer ni nevarnosti eksplozije. Če je površina nagnjena in gladka, kompresor zavarujte pred premikanjem med obratovanjem. Če se za podlago uporablja deska ali polico, zaščitite kompresor pred padcem tako, da ju varno pritrdite. Pravilno zračenje in učinkovito hlajenje zagotovite tako, da kompresor postavite vsaj 100 cm stran od stene (Slika 4).



Kompresor je treba prenašati na pravilen način, ga ne obračati na glavo in ne dvigati s kavli ali vrvmi (Sliki 5-6).

#### Pomembno! Pred uporabo

Odstranite plastični pokrovček s pokrova odtočnega kanala. Odtočni kanal napolnite s priloženim oljem (250 ml). Merilnik na dnu odtočnega kanala označuje nivo olja: nivo olja se mora izravnati z rdečo piko (Sliki 7 in 8).

#### Zagon

- Preverite, ali omrežna napetost ustreza napetosti, označeni na ploščici z električnimi podatki o stroju (Slika 10); dovoljeno tolerančno območje znotraj 5%.
- Potisnite stikalo na zgornjem delu na »0« ustrezno z vrsto tlačnega regulatorja, ki je pritrdjen na napravo (Slika 11).
- Vtaknite vtič v vtičnico (Slika 9) in zaženite kompresor tako, da nastavite stikalo tlačnega regulatorja na »I«. Obratovanje kompresorja je popolnoma avtomatsko.

Tlačni regulator zaustavi kompresor, ko tlak doseže največjo dovoljeno vrednost in ga ponovno zažene, ko tlak pade pod najmanjšo vrednost. Normalna razlika v tlaku je približno 2 bara / 29 psi med največjo in najmanjšo vrednostjo. Na primer, kompresor se zaustavi, ko doseže 8 barov (116 psi) (to je največji obratovalni tlak) in se samodejno ponovno zažene, ko tlak v rezervoarju pade na 6 barov (87 psi).



*Sestava glava/cilinder/prenosne cevi se lahko zelo segreje, zato previdno pri delu v bližini teh enot, ki se jih ne dotikajte in tako preprečite opekline (Slike 12 - 13).*

#### Prilagajanje obratovalnega tlaka

##### Slika 14

Ni potrebe, da neprekinjeno delate pod največjim obratovalnim tlakom. Orodja stisnjene zraka pogosto normalno obratujejo pod manjšim tlakom. Glede na dobavljeni kompresor s tlačnim redukcijskim ventilom je treba nastaviti pravilni obratovalni tlak. Obratovalni tlak lahko nastavite z uporabo vrtilnega gumba na redukcijskem ventilu.

- Z vrtenjem v smeri urnega kazalca se tlak viša.
- Z vrtenjem v nasprotni smeri urnega kazalca se tlak niža.

Nastavljeni tlak se lahko blokira z vrtenjem obroča pod gumbom v nasprotni smeri vrtenja gumba in se tako pritrdi vrtilni gumb. Nastavljeni tlak je označen na manometru redukcijskega ventila.

## 4. OKVARE

#### Zravna izguba

- Vzrok je lahko slabo tesnjenje povezave.
  - *Preglejte vse povezave tako, da jih namočite v milnico.*

#### Kompresor deluje, a ne stiska zraka

##### Slika 19

- Vzrok so lahko polomljeni ventili (C-C2) ali tesnilo (B1-B2).
  - *Zamenjajte poškodovani del.*

#### Kompresor se ne zažene

Če ima kompresor težave pri zagonu, preverite:

- ali omrežna napetost ustreza tisti, ki je označena na ploščici s tehničnimi podatki o stroju (Slika 10);
- ali morda uporabljate električni podaljšek z neustreznim jedrom in dolžino;
- ali je morda delovno okolje prehladno (pod 0°C);
- ali je v odtočnem kanalu olje, ki zagotavlja podmazovanje (Slika 8).
- ali se dobavlja energija (vtič pravilno povezan, magnetno-toplotne varovalke niso zlomljene).

#### Kompresor se ne izključi

Če se kompresor ne izključi, ko doseže največji tlak, se aktivira varnostni ventil rezervoarja. Nujno poiščite pomoč na najbližjem pooblaščenemu servisu.

#### Kompresor pracuje, ale nie wytwarza sprężonego powietrza

##### Rys. 19

- Może być to spowodowane uszkodzeniem zaworów (C-C2) lub uszczelki (B1-B2).
  - *Wymienić uszkodzoną część.*

#### Nie można uruchomić kompresora

W przypadku trudności z uruchomieniem kompresora sprawdź:

- Czy wartość napięcia w gniazdku odpowiada napięciu na tabliczce znamionowej urządzenia (rys. 10)
- Czy nie nastąpiło uszkodzenie żyły kabla używanego przedłużacza.
- Czy w środowisku pracy nie panuje zbyt niska temperatura (poniżej 0°C).
- Czy w misce znajduje się olej zapewniający smarowanie (rys. 8)
- Czy jest zasilanie (właściwie włożona wtyczka, sprawny wyłącznik magnetotermiczny).

#### Kompresor nie jest wyłączany automatycznie

Jeśli po osiągnięciu maksymalnego ciśnienia kompresor nie jest wyłączany automatycznie, uruchomiony zostanie zawór bezpieczeństwa. Konieczny będzie kontakt z najbliższym autoryzowanym punktem serwisowym.

## 5. KONSERWACJA

#### Konserwacja



*Przed przystąpieniem do konserwacji silnika, sprawdź czy wtyczka jest odłączona od sieci.*

Urządzenia Ferm zaprojektowano tak, aby działały bezproblemowo przez długi czas i wymagały konserwacji jedynie w niewielkim zakresie. Stałe poprawne działanie urządzenia zależy od jego właściwej konserwacji i regularnego czyszczenia. Przed rozpoczęciem jakichkolwiek prac konserwacyjnych należy upewnić się, że:

- Wyłącznik sieciowy znajduje się w położeniu "0".
- Regulator ciśnienia i przełączniki panelu sterowania znajdują się w położeniu "0".
- Zbiornik ciśnieniowy jest całkowicie odpowietrzony.

#### Czyszczenie

Czyść obudowę urządzenia regularnie przy użyciu miękkiej tkaniny, najlepiej po każdym użyciu. Utrzymuj szczeliny wentylacyjne wolne od kurzu i brudu.

W przypadku wyjątkowo uciążliwych zabrudzeń użyj miękkiej szmatki zwilżonej wodą z mydłem. Pod żadnym pozorem nie używaj rozpuszczalników, takich jak benzyna, alkohol, woda z amoniakiem itp., gdyż takie substancje mogą uszkodzić elementy plastikowe.

#### Smarowanie

Zaleca się rozebranie filtra próżniowego po każdych 50 godzinach pracy i oczyszczenie wkładu filtra za pomocą sprężonego powietrza (rys. 15). Zaleca się wymianę wkładu filtra co najmniej raz w roku, jeżeli kompresor jest używany w czystym środowisku pracy lub częściej w przypadku, gdy środowisko pracy jest zapyłone.





Upewnić się, że kompresor jest przenoszony we właściwy sposób - nie należy go przewracać i podnosić przy użyciu haków i lin (rys. 5-6).

### Ważne! Przed rozpoczęciem pracy

Usunąć plastikową zatyczkę korka miski olejowej. Wypełnić miskę dołączonym olejem (250 ml). Wskaźnik u dołu miski pokazuje poziom oleju: powinien on znajdować się na równi z czerwoną kropką (rys. 7 i 8).

### Rozpoczęcie pracy

- Upewnić się, że wartość napięcia w gniazdku odpowiada napięciu na tabliczce znamionowej urządzenia (rys. 10); dozwolony zakres tolerancji wynosi 5%.
- Ustawić przełącznik znajdujący się w górnej części w położeniu "0" zgodnie z typem regulatora ciśnienia zainstalowanego w urządzeniu (rys. 11).
- Włożyć wtyczkę do gniazdko (rys. 9) i uruchomić kompresor poprzez ustawienie przełącznika w położeniu "I". Działanie kompresora jest w pełni zautomatyzowane. Regulator ciśnienia zatrzyma kompresor, kiedy osiągnięta zostanie wartość maksymalna, a uruchomi ponownie po osiągnięciu wartości minimalnej ciśnienia. W normalnych warunkach różnica ciśnienia pomiędzy wartością maksymalną i minimalną wynosi ok. 2 bary/29 psi. Dla przykładu: kompresor wyłączy się po osiągnięciu 8 barów (116 psi) - jest to maksymalne ciśnienie robocze, a włączy ponownie w momencie, gdy ciśnienie spadnie do 6 barów (87 psi).



Podzespoły głowicy/cylindra/przewodu przepustowego mogą osiągać wysokie temperatury - dotknięcie ich podczas pracy grozi poparzeniem (rys. 12 - 13).

### Regulacja ciśnienia roboczego

#### Rys. 14

Nie jest konieczne utrzymywanie maksymalnego ciśnienia roboczego - kompresory zazwyczaj potrzebują mniejszego ciśnienia. Jeśli chodzi o kompresory wyposażone w zawory redukcyjne ciśnienia, konieczne jest, aby właściwie dobrać ciśnienie robocze. Dobranie ciśnienia roboczego jest możliwe poprzez wykorzystanie pokrętki na zaworze redukcyjnym.

- Obrót pokrętki w kierunku zgodnym z ruchem wskazówek zegara spowoduje zwiększenie ciśnienia.
- Obrót pokrętki w kierunku przeciwnym do ruchu wskazówek zegara spowoduje zmniejszenie ciśnienia.

Aby utrzymać ciśnienie na określonym poziomie, należy unieruchomić pokrętkę przekręcając znajdujący się pod nim pierścień w kierunku przeciwnym niż obrót pokrętki. Ustalone ciśnienie jest wskazywane przez ciśnieniomierz na zaworze redukcyjnym.

## 4. NIEPRAWIDŁOŚCI

### Ubytki powietrza

- Mogą być spowodowane złym uszczelnieniem w miejscu podłączenia.
  - Sprawdzić wszystkie miejsca podłączenia poprzez namoczenie ich wodą z mydłem.

## 5. VZDRŽEVANJE

### Vzdrževanje



Pred izvajanjem vzdrževalnih del na motorju, zagotovite, da je vtič odstranjen iz električne vtičnice.

Naprave Ferm so izdelane tako, da delujejo daljše obdobje z minimalnim vzdrževanjem. Nепrekinjeno zadovoljivo delovanje je odvisno od primerne skrbi za napravo in rednega čiščenja. Pred kakršnikoli deli na kompresorju, najprej:

- Nastavite glavno stikalo na »0«.
- Izključite tlačni regulator in stikala na stikalni mizi nastavite na »0«.
- Iz zračnega rezervoarja spustite tlak.

### Čiščenje

Ohišje naprave redno čistite z mehko krpo. Najbolje po vsaki uporabi. Prezračevalne odprtine naj bodo brez prahu in umazanije. Če umazanije ne morete odstraniti, uporabite mehko krpo, ki ste jo namočili v milni vodi. Nikoli ne uporabljajte topil kot so bencin, alkohol, amoniakova voda, itd. Takšna topila lahko poškodujejo plastične dele.

### Podmazanje

Priporočamo, da po vsakih 50 urah razstavite sesalni filter in očistite element filtra tako, da ga razpihate s stisnjenim zrakom (Slika 15). Priporočamo, da element filtra zamenjajte vsaj enkrat na leto, če kompresor deluje v čistem okolju; bolj pogosto, če je delovno okolje kompresorja onesnaženo. Kompresor ustvarja kondenzirano vodo, ki se zbira v rezervoarju. Kondenzirano vodo je treba odstraniti iz rezervoarja vsaj enkrat na teden tako, da odprete odtočno pipico (Slika 16) pod rezervoarjem. Previdno, ko je stisnjen zrak v steklenici, saj lahko voda prodre na površino z veliko silo. Priporočeni tlak je največ 1-2 bara.



Kondenzirane vode kompresorja podmazanega z oljem ni dovoljeno odvreči v odvodne cevi ali v okolje.

### Menjava/obnova zaloga olja

Kompresor je dobavljen s sintetičnim oljem »SAE 10W30«. Priporočamo, da olje črpalnega sistema zamenjajte v prvih 100 delovnih urah.

- Odvijte odtočni vtič (merilnik) na pokrovu odtočnega kanala. Pustite olje, da se izteče in vtič privijte nazaj (Slika 17).
- Olje dotočite skozi odprtino na pokrovu odtočnega kanala (Slika 18) in sicer do označenega nivoja na merilniku (Slika 8).

Vsak teden enkrat preverite nivo olja v črpalnem sistemu in po potrebi dolijte.

Za delo pri temperaturah -5°C do +35°C uporabljajte sintetično olje »SAE 10W30«. Sintetično olje ima to prednost, da ne izgubi lastnosti glede na letni čas, ne poleti ne pozimi.



Odpadnega olja ne odvrzite v odvodne kanale ali v okolje.

SI

Pri menjavi olja je treba upoštevati podatke iz naslednje tabele.

Vrsta olja	Delovne ure
Multigrade oil SAE 10W30	100 ali 6 mesecih

#### Okvare

V primeru okvare, t.j. obrabe posameznega dela, pokličite servisno službo. Naslov je označen na garancijskem listu. Na zadnji strani tega priročnika je povečan prikaz posameznih delov, ki jih lahko naročite.

#### Okolje

Orodje transportiramo v krepki embalaži da ga zavarujemo pred poškodbami. Večino embalaže je mogoče reciklirati zato jo odnesi na zbirališče takšnih odpadkov oz. v za to namenjen kontejner, da bo reciklirana.



Poškodovano ali neuporabno električno napravo odnesite na mesto, pristojno za reciklažo tovrstnega materiala.

#### Garancija

Garancijske pogoje preberite na garancijskem listu, ki se nahaja na zadnji strani teh navodil za uporabo.



Naležy zapamiętać, że przewód uziemienia ma kolor zielony lub żółto-zielony. Nigdy nie podłączać zielonego przewodu do końcówki pod obciążeniem.

Przed wymianą wtyczki upewnić się, że podłączono przewód uziemienia. W razie wątpliwości należy skontaktować się z wykwalifikowanym elektrykiem w celu dokonania kontroli stanu uziemienia.

#### Przedłużacze

Używać tylko przedłużaczy z wtyczką i uziemieniem - nie używać przedłużaczy uszkodzonych lub spłaszczonych. Upewnić się, że przedłużacz jest w dobrym stanie. W przypadku tego urządzenia kabel przedłużacza powinien mieć średnicę co najmniej 2,5 mm<sup>2</sup> (przy maksymalnej długości 20 metrów). Przed podłączeniem należy zawsze w pełni rozwinąć przedłużacz.

#### Podłączanie do zasilania

Upewnić się, że wartość napięcia wejściowego silnika odpowiada napięciu na tabliczce znamionowej urządzenia. Kompresory są dostarczane wraz z kablem elektrycznym i dwubiegunową wtyczką + uziemienie. Ważne jest, aby podłączyć kompresor do gniazdka z uziemieniem. (rys. 9)



Nie używać przewodu uziemiającego zamiast zerowego. Uziemienie powinno być wykonane zgodnie z przepisami dotyczącymi zapobiegania wypadkom przy pracy (EN 60204).

### 3. UŻYTKOWANIE



Tylko do użytku domowego

**Uwaga:** Informacje zamieszczone w niniejszej instrukcji mają za zadanie ułatwienie użytkownikowi obsługi i konserwacji kompresora. Niektóre rysunki w niniejszej instrukcji mogą zawierać szczegóły budowy inne niż w rzeczywistości.

#### Instalacja

Po wyjęciu kompresora z opakowania (rys. 1), sprawdzeniu stanu urządzenia i upewnieniu się, że nie ma żadnych uszkodzeń powstałych w wyniku transportu, należy wykonać następujące czynności. Jeżeli nie zostały założone wcześniej, zamontować koła i gumową zatyczkę zbiornika zgodnie ze wskazówkami na rys. 2. Umieścić kompresor na płaskim podłożu, którego nachylenie nie przekracza 10° (rys. 3), w dobrze wentylowanym otoczeniu chronionym przed wpływem czynników atmosferycznych oraz z dala od substancji wybuchowych. W przypadku równego, nachylonego podłoża upewnić się, że po uruchomieniu kompresor nie będzie się przemieszczał. Jeżeli podstawę stanowi blat lub półka z książkami, należy je zabezpieczyć przed spadnięciem. W celu zapewnienia właściwej wentylacji i chłodzenia ważne jest, aby kompresor znajdował się w odległości co najmniej 100 cm od ściany (rys. 4).

- Zaleca się eksploatację kompresora maksymalnie w 70% jego możliwości przez godzinę pod pełnym obciążeniem, mając na względzie właściwą pracę urządzenia w dłuższej perspektywie czasu.
- Przed odkręceniem i odłączeniem końcówek od zbiornika należy upewnić się, że zbiornik został całkowicie odpowietrzony.
- Zabrania się wiercenia otworów, spawania lub celowego zniekształcania zbiornika sprężonego powietrza.
- Nie dokonywać żadnych prac konserwacyjnych bez wcześniejszego wyjęcia wtyczki z gniazdka.
- Nie należy kierować na kompresor strumieni wody lub płynów łatwopalnych.
- Nie ustawiać przedmiotów łatwopalnych w bezpośrednim sąsiedztwie kompresora.
- Podczas przerw w pracy ustawić regulator ciśnienia w położeniu "0" (OFF = WYŁ.).
- Nigdy nie kierować strumienia powietrza na osoby lub zwierzęta (rys. 20).
- Nie transportować kompresora ze zbiornikiem wypełnionym sprężonym powietrzem.
- UWAGA: niektóre podzespoły kompresora, takie jak głowica i przewody przepustowe mogą osiągać wysokie temperatury. Dotknięcie tych elementów grozi poparzeniem (rys. 12-13).
- Do podniesienia kompresora używać specjalnych uchwytów i mocowań (rys. 5-6).
- Dzieci i zwierzęta nie powinny znajdować się w pobliżu urządzenia w trakcie jego pracy.
- Jeśli kompresor jest wykorzystywany do rozpylania farby:
  - a) *nie należy przebywać w zamkniętym pomieszczeniu lub w pobliżu ognia.*
  - b) *upewnić się, że środowisko pracy jest dobrze wentylowane.*
  - c) *chronić nos i usta za pomocą maski (rys. 21).*
- Nie używać kompresora, gdy uszkodzeniu uległ kabel zasilający lub wtyczka; wymiany uszkodzonego elementu może dokonać jedynie pracownik autoryzowanego serwisu.
- Jeżeli zachodzi konieczność umieszczenia kompresora na podwyższeniu, należy zadbać o to, aby nie spadł na ziemię po rozpoczęciu pracy.
- Nie wkładać żadnych przedmiotów lub rąk pod pokrywę zabezpieczającą – grozi to uszkodzeniem ciała oraz samego kompresora.
- W celu uniknięcia poważnych uszkodzeń nie używać kompresora niezgodnie z jego przeznaczeniem w stosunku do ludzi, zwierząt i przedmiotów.
- Jeśli kompresor nie jest używany przez dłuższy okres czasu, należy wyjąć wtyczkę z gniazdka zasilającego.
- Upewnić się, że przewody przepustowe sprężonego powietrza są wykorzystywane ze sprężonym powietrzem (o czym świadczy maksymalna wartość ciśnienia dostosowana do ciśnienia samego kompresora). Nie naprawiać uszkodzonych przewodów samodzielnie.

## Bezpieczeństwo elektryczne

### Zasady uziemienia

Kompresor musi być uziemiony w trakcie pracy w celu ochrony użytkownika przed porażeniem prądem. Kompresor jest dostarczany wraz z dwużyłowym kablem z uziemieniem. Podłączenie do zasilania musi być wykonane przez wykwalifikowanego technika. Nie zaleca się rozkładania kompresora na części i podłączania dodatkowych elementów do regulatora ciśnienia. Naprawy powinny być wykonywane przez pracowników autoryzowanego serwisu lub profesjonalnego punktu napraw.

## CE IZJAVA O SKLADNOSTI (SI)

Na lastno odgovornost izjavljamo, da naveden izdelek ustreza naslednjim standardom in standardnim dokumentom

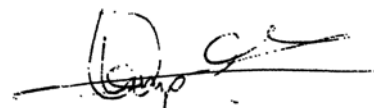
**prEN1012-1, prEN1012-2, EN60204-1, EN-12100, ISO5388, EN55014-2, EN61000-3-2, EN61000-3-3**

v skladu s predpisi

**98/37/EEC, 73/23/EEC, 89/336/EEC, 87/404/EEC**

z dne 01-01-2006

**ZWOLLENL**



W. Kamphof

Oddelek za nadzor kvalitete

Ker je naša tržna politika nenehno izboljševanje izdelkov, si pridržujemo pravico do sprememb podatkov o izdelku brez predhodnega obvestila.

**Ferm BV • Lingenstraat 6 • 8028 PM Zwolle • The Netherlands**

# KOMPRESOR OLEJOWY FCO-1524

Cyfry zamieszczone w poniższym tekście odnoszą się do rysunków na stronie 2-3.



Przed uruchomieniem urządzenia należy uważnie przeczytać niniejszą instrukcję. Należy upewnić się, że w wystarczającym stopniu zapoznano się ze sposobem działania urządzenia oraz sposobem jego obsługi. Należy utrzymywać urządzenie zgodnie z instrukcją w celu zapewnienia właściwego funkcjonowania. Instrukcję wraz z załączoną dokumentacją należy przechowywać wraz z urządzeniem.

## Spis treści

1. Elementy urządzenia
2. Zasady bezpieczeństwa
3. Użytkowanie
4. Nieprawidłowości
5. Konserwacja

## 1. ELEMENTY URZĄDZENIA

### Specyfikacja techniczna

Napięcie	230V~
Częstotliwość	50 Hz
Pojemność	1.5 HP
Prędkość na biegu jałowym	2800/min
Stopień ochrony	IP 33
Pojemność zbiornika	24 litry
Pobór powietrza	160 l/min
Maks. ciśnienie wyjściowe	8.0 barów
Ciężar	27.15 kg
Poziom natężenia dźwięku	91.0 dB (A)

Poziomy hałas może wzrosnąć od 1 do 10 dB(A) jako funkcja warunków środowiskowych, w których zostanie umieszczony kompresor.

### Informacje o produkcie

#### Rys. A

1. Obudowa
2. Uchwyt
3. Przełącznik
4. Wyłącznik automatyczny
5. Regulator ciśnienia
6. Szybkozłączka (wyjście)
7. Manometr (regulator ciśnienia)
8. Manometr (zbiornik)
9. Zawór bezpieczeństwa

10. Przewód ciśnieniowy
11. Filtr powietrza
12. Korek miski olejowej
13. Miska olejowa
14. Kurek spustowy

## 2. ZASADY BEZPIECZEŃSTWA

### Wyjaśnienie symboli

W niniejszej instrukcji używane są następujące symbole:



Przeczytaj wskazówki.



Narzędzie spełnia warunki bezpieczeństwa pracy, podane w obowiązujących wytycznych europejskich.



Oznacza ryzyko możliwego urazu, utraty życia bądź uszkodzenia narzędzia w przypadku nie zastosowania się do poleceń w niniejszej instrukcji.



Oznacza ryzyko porażenia prądem elektrycznym.



Styk (wtyczkę) odłączyć od głównego przewodu.



Działanie kompresora jest w pełni zautomatyzowane. Regulator ciśnienia zatrzyma kompresor, kiedy osiągnięta zostanie wartość maksymalna, a uruchomi ponownie po osiągnięciu wartości minimalnej ciśnienia.



Ryzyko wysokich temperatur. Uwaga: Niektóre części maszyny mogą nagrzewać się do wysokich temperatur



Noś nauszники ochronne.



Poziomy natężenia dźwięku



Uszkodzone oraz /lub wybrakowane urządzenie elektryczne lub elektroniczne musi być utylizowane w odpowiedni sposób.

### Szczegółowe zasady bezpieczeństwa

- W przypadku eksploatacji w warunkach stałego pełnego obciążenia i maksymalnego ciśnienia roboczego należy upewnić się, że temperatura środowiska pracy w zamkniętym pomieszczeniu nie przekracza +25°C.