



GE Profile™ Built-In Side by Side Refrigerators

Safety Instructions2-4

Operating Instructions

Automatic Icemaker10
Care and Cleaning12, 13
ClimateKeeper
with Dual Evaporators6
Drawers and Baskets9
Ice and Water Dispenser10, 11
Refrigerator Doors8
Replacing the Light Bulbs14
Shelves and Bins7
Temperature Controls5
Water Filter6

Installation Instructions

Anti-Tip Brackets34
Dimensions, Clearances17
Door, Grille Panels36-38
Installation Space17
Leveling35
Panel Dimensions21-30
Water Line33, 34
Water Supply39

Troubleshooting Tips42-44

Normal Operating Sounds41

Consumer Support

Consumer SupportBack Cover
Performance Data Sheet47
Product Registration49, 50
State of California Water
Treatment Device Certificate48
Warranty (Canadian)45
Warranty (U.S.)46

Write the model and serial numbers here:

Model # _____

Serial # _____

Find these numbers on a label inside the refrigerator compartment at the top on the right side.

Owner's Manual and Installation Instructions

Model 42, 48

GE Profile Côte à Côte Réfrigérateurs

Manuel d'utilisation et d'installation

La section française commence à la page 51

IMPORTANT SAFETY INFORMATION. READ ALL INSTRUCTIONS BEFORE USING.

⚠ WARNING!

Use this appliance only for its intended purpose as described in this Owner's Manual.



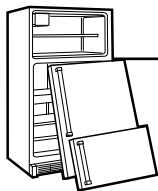
SAFETY PRECAUTIONS

When using electrical appliances, basic safety precautions should be followed, including the following:

- This refrigerator must be properly installed and located in accordance with the Installation Instructions before it is used.
 - Do not allow children to climb, stand or hang on the shelves in the refrigerator. They could damage the refrigerator and seriously injure themselves.
 - Do not touch the cold surfaces in the freezer compartment when hands are damp or wet. Skin may stick to these extremely cold surfaces.
 - Do not store or use gasoline or other flammable vapors and liquids in the vicinity of this or any other appliance.
 - In refrigerators with automatic icemakers, avoid contact with the moving parts of the ejector mechanism, or with the heating element located on the bottom of the icemaker. Do not place fingers or hands on the automatic icemaking mechanism while the refrigerator is plugged in.
 - Keep fingers out of the "pinch point" areas; clearances between the doors and between the doors and cabinet are necessarily small. Be careful closing doors when children are in the area.
 - Set the master power switch to the **O (off)** position before cleaning or making repairs.
- NOTE:** We strongly recommend that any servicing be performed by a qualified individual.
- Do not refreeze frozen foods that have thawed completely.

⚠ **DANGER! RISK OF CHILD ENTRAPMENT**

PROPER DISPOSAL OF THE REFRIGERATOR



Child entrapment and suffocation are not problems of the past. Junked or abandoned refrigerators are still dangerous...even if they will sit for "just a few days." If you are getting rid of your old refrigerator, please follow the instructions below to help prevent accidents.

Before You Throw Away Your Old Refrigerator or Freezer:

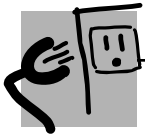
- Take off the doors.
- Leave the shelves in place so that children may not easily climb inside.

Refrigerants

All refrigeration products contain refrigerants, which under federal law must be removed prior to product disposal. If you are getting rid of an old refrigeration product, check with the company handling the disposal about what to do.

IMPORTANT SAFETY INFORMATION. READ ALL INSTRUCTIONS BEFORE USING.

⚠ WARNING!



HOW TO CONNECT ELECTRICITY

Do not, under any circumstances, cut or remove the third (ground) prong from the power cord. For personal safety, this appliance must be properly grounded.

The power cord of this appliance is equipped with a 3-prong (grounding) plug, which mates with a standard 3-prong (grounding) wall outlet to minimize the possibility of electric shock hazard from this appliance.

Have the wall outlet and circuit checked by a qualified electrician to make sure the outlet is properly grounded.

If the outlet is a standard 2-prong outlet, it is your personal responsibility and obligation to have it replaced with a properly grounded 3-prong wall outlet.

The refrigerator should always be plugged into its own individual electrical outlet which has a voltage rating that matches the rating plate.

This provides the best performance and also prevents overloading house wiring circuits, which could cause a fire hazard from overheated wires.

Never unplug your refrigerator by pulling on the power cord. Always grip plug firmly and pull straight out from the outlet.

Repair or replace immediately all power cords that have become frayed or otherwise damaged. Do not use a cord that shows cracks or abrasion damage along its length or at either end.

When moving the refrigerator, be careful not to roll over or damage the power cord.



DO NOT USE AN ADAPTER PLUG OR EXTENSION CORD

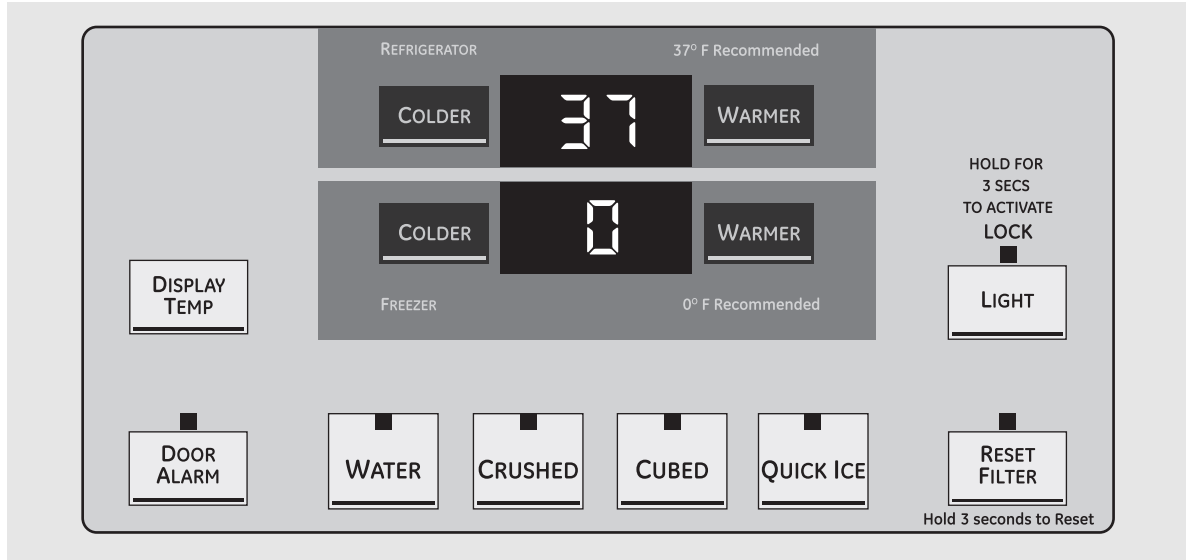
(Adapter plugs not permitted in Canada)

Do not use an adapter plug to connect the refrigerator to a 2-prong outlet. Do not use an extension cord with this appliance.



READ AND FOLLOW THIS SAFETY INFORMATION CAREFULLY.

SAVE THESE INSTRUCTIONS



The temperature controls are preset in the factory at **37°F** for the refrigerator compartment and **0°F** for the freezer compartment. Allow 24 hours for the temperature to stabilize to the preset recommended settings.

The temperature controls can display both the **SET** temperature as well as the actual temperature in the refrigerator and freezer. **The actual temperature may vary slightly from the SET temperature based on usage and operating environment.**

NOTE: The refrigerator is shipped with protective film covering the temperature controls. If this film was not removed during installation, remove it now.

To change the temperature, press and release the **WARMER** or **COLDER** button. **SET** will illuminate in the display, as well as the set temperature. To change the temperature, tap either the **WARMER** or **COLDER** button (while **SET** is illuminated) until the desired temperature is displayed. Refrigerator temperatures can be adjusted between 34°F and 47°F and the freezer temperatures can be adjusted between -6°F and +8°F.

Once the desired temperature has been set, the temperature display will clear after 10 seconds.

To display the temperature, the **DISPLAY TEMP** button may be tapped.

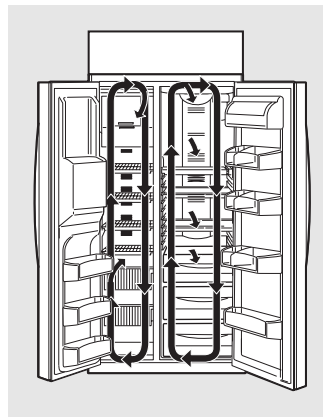
Several adjustments may be required. Each time you adjust controls, allow 24 hours for the refrigerator to reach the temperature you have set.

Performance Air Flow System

The Performance Air-Flow System is designed to maximize temperature control in the refrigerator and freezer compartments. This unique special feature consists of the Air Tower along the back

wall of the refrigerator and the freezer. Placing food in front of the louvers on these components will not affect performance.

About ClimateKeeper® with dual evaporators.



How it Works

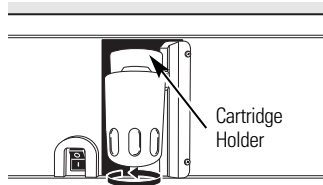
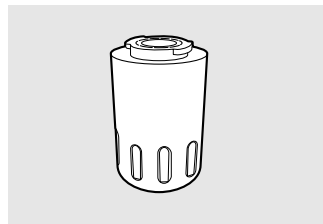
The *ClimateKeeper with dual evaporators* system features two evaporators—one for the refrigerator and one for the freezer.

This provides two separate cooling systems, and separates the airflow between the fresh food and freezer compartments during normal cooling operations.

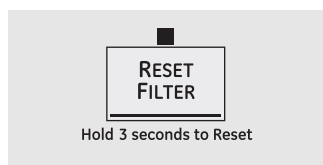
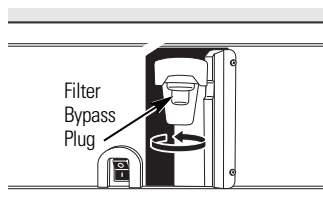
The separate airflow system minimizes the mixing of air between the two compartments, which reduces fresh food odor transfer to improve the taste of ice.

The *ClimateKeeper* system also reduces the number of defrosting cycles in the freezer evaporator, thereby reducing freezer burn.

About the water filter.



Place the top of the cartridge up inside the cartridge holder and slowly turn it clockwise.



Water Filter Cartridge

The water filter cartridge is located in the top grille compartment. Flip up the panel top grille to access the water filter.

When to Replace the Filter

There is a replacement indicator light for the water filter cartridge on the dispenser. This light will turn orange to tell you that you need to replace the filter soon.

The filter cartridge should be replaced when the replacement indicator light turns red or if the flow of water to the dispenser or icemaker decreases.

Installing the Filter Cartridge

The filter cartridge is designed to filter 500 gallons of water (lasting approximately 12 months).

- 1 If you are replacing the cartridge, first remove the old one by slowly turning it counterclockwise. **Do not** pull down on the cartridge. A small amount of water may drip down.
- 2 Fill the replacement cartridge with water from the tap to allow for better flow from the dispenser immediately after installation.
- 3 Lining up the arrow on the cartridge and the cartridge holder, place the top of the new cartridge up inside the holder. **Do not** push it up into the holder.

Slowly turn it clockwise until the filter cartridge stops. **DO NOT OVERTIGHTEN.** As you turn the cartridge, it will automatically raise itself into position. Cartridge will rotate about 1/4 turn.

- 4 Run water from the dispenser for 3 minutes (about 1½ gallons) to clear the system and prevent sputtering.
- 5 Press and hold the **RESET FILTER** button on the dispenser for 3 seconds.

NOTE: A newly-installed water filter cartridge may **cause water to spurt** from the dispenser.

Filter Bypass Plug

You must use the filter bypass plug when a replacement filter cartridge is not available. The bypass plug will be taped to the door bin in the new unit.

NOTE: The dispenser and the icemaker will not operate without the filter or filter bypass plug.

Replacement Filters:

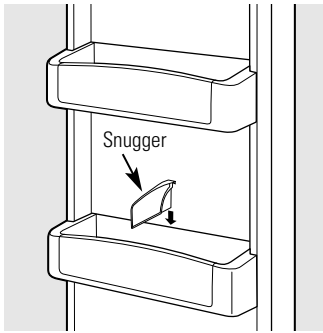
To order additional filter cartridges in the United States, visit our Website, ge.com, or call GE Parts and Accessories, 800.626.2002.

MWF
Suggested Retail \$34.95 USD

Customers in Canada should consult the yellow pages for the nearest Mabe Service Center.

About the shelves and bins.

Not all features are on all models.



Refrigerator bins

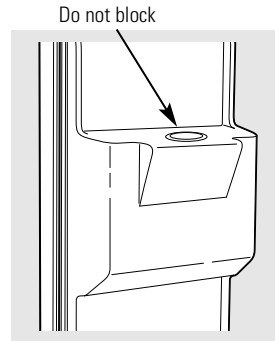
Refrigerator Door Bins and Freezer Door Bins

All door bins, except for the deep gallon door bin and freezer bins, are adjustable and can be moved up and down to meet your storage needs. The deep gallon door bin and the freezer bins can be removed for cleaning.

To remove any bin: Lift the bin up and pull it toward you.

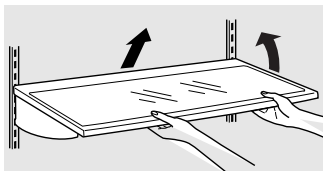
To replace or relocate: Engage the back side of the bin in the molded supports on the door. Then push down on the front of the bin. Bin will lock in place.

The snagger helps prevent tipping, spilling or sliding of small items stored on the door shelf. Place a finger on either side of the snagger near the rear and move it back and forth to fit your needs.



Top freezer bin

CAUTION: Make sure that items do not block or fall into the ice chute.



Spillproof Shelves and Freezer Shelves

The special edges are designed to help prevent spills from dripping to lower shelves.

To remove shelves:

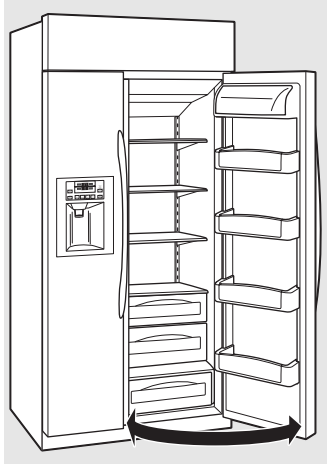
Tilt shelf up at front, then lift it up and out of tracks on rear wall of refrigerator.

To replace shelves:

Select desired shelf height. With shelf front raised slightly, engage top lugs in tracks at rear of cabinet. Then lower front of shelf until it locks into position.

Make sure you push the shelves all the way back in before you close the door.

About the refrigerator doors.



When the door is at 90° open, it will automatically close.

Beyond this **stop** the door will stay open.

Refrigerator Doors

The refrigerator doors may feel different than the ones you are used to. The secure door opening/closing feature makes sure the doors close all the way and are securely sealed.

When opening and closing the door, you will notice a **stop** position. When the door is at the 90° stop position, it will automatically close.

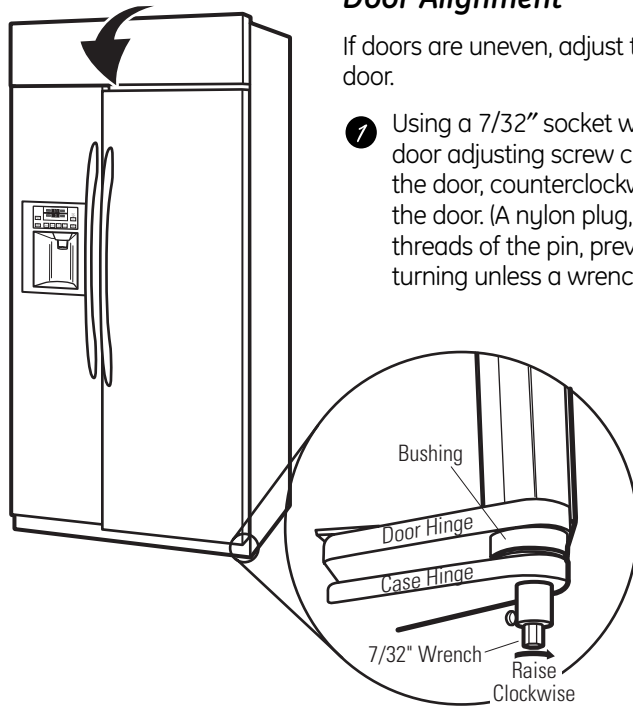
The resistance you feel at the **stop** position will be reduced as the door is loaded with food.

Door Alignment

If doors are uneven, adjust the refrigerator door.

- 1 Using a 7/32" socket wrench, turn the door adjusting screw clockwise to raise the door, counterclockwise to lower the door. (A nylon plug, imbedded in the threads of the pin, prevents the pin from turning unless a wrench is used.)

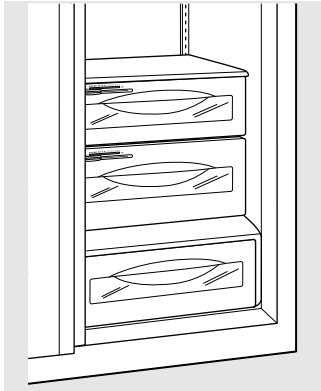
- 2 After one or two turns of the wrench, open and close the refrigerator door and check the alignment at the top of the doors.



About the drawers and baskets.

ge.com

Not all features are on all models.



Fruit and Vegetable Drawers

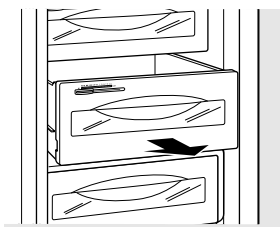
Excess water that may accumulate in the bottom of the drawers should be wiped dry.



Adjustable Humidity Drawers

Slide the control all the way to the **HI** setting to provide high humidity recommended for most vegetables.

Slide the control all the way to the **LO** setting to provide lower humidity levels recommended for most fruits.



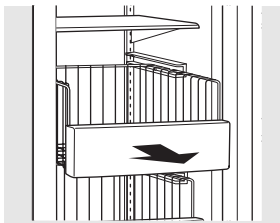
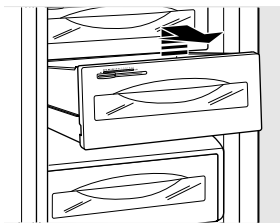
How to Remove and Replace the Drawers and Freezer Baskets

To remove fresh food drawers:

- 1 Pull the desired drawer out to the stop position.
- 2 Lift up slightly on the front of the drawer.
- 3 Pull the drawer slightly forward and out of the refrigerator.

To replace fresh food drawers:

- 1 Tip the back rollers of the drawer behind the rollers in the track.
- 2 Lower the front of the drawer into normal position.
- 3 Slide the drawer to the back of the refrigerator.

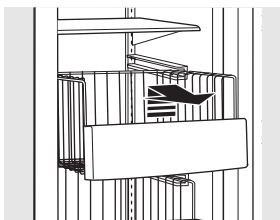


To remove freezer baskets:

- 1 Pull the desired basket out to the stop position.
- 2 Lift up slightly on the front of the basket.
- 3 Pull the basket slightly forward and out of the freezer.

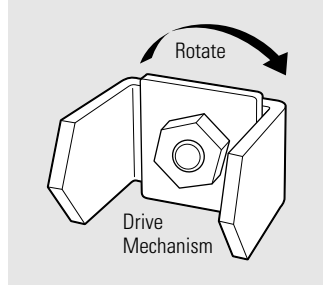
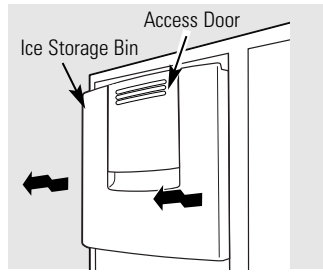
To replace freezer baskets:

- 1 Place the back corners in the rail with the basket tilted up.
- 2 Lower the basket down to the normal position.
- 3 Slide the basket to the back of the freezer.



About the ice and water dispenser and automatic icemaker.

A newly installed refrigerator may take 12 to 24 hours to begin making ice.



Ice Storage Bin

To remove:

Lift up the access door to reach the icemaker. Set the icemaker power switch to the **O (off)** position. With the access door closed, support the storage bin at the bottom while slightly lifting. Pull bin straight out.

To replace:

Slide the bin back until the tab on the bin locks into the slot on the shelf. If the bin does not go all the way back, remove it and rotate the drive mechanism 1/4 turn. Then push the bin back again.

Important facts about your ice and water dispenser

- Do not add ice from trays or bags to the storage bin. It may not crush or dispense well.
- Avoid overfilling glass with ice and use of narrow or extra-tall glasses. Backed-up ice can jam the chute or cause the door in the chute to freeze shut. If ice is blocking the chute, poke it through with a wooden spoon.

- Beverages and foods should not be quick-chilled in the ice storage bin. Cans, bottles or food packages in the storage bin may cause the icemaker or auger to jam.
- To keep dispensed ice from missing the glass, put the glass close to, but not touching, the dispenser opening.
- Some crushed ice may be dispensed even though you selected CUBED. This happens occasionally when a few cubes accidentally get directed to the crusher.
- After crushed ice is dispensed, some water may drip from the chute.
- The first glass of water dispensed may be warmer than the following ones. This is normal.

Automatic Icemaker

A newly-installed refrigerator may take 12-24 hours to begin making ice.

The icemaker will produce seven cubes per cycle—approximately 15 cycles or more in a 24-hour period, depending on freezer compartment temperature, room temperature, number of door openings and other use conditions.

If the refrigerator is operated before the water connection is made to the icemaker, set the power switch to **O (off)**.

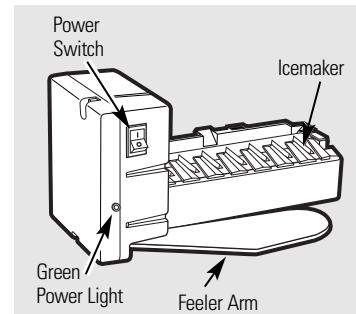
When the refrigerator has been connected to the water supply, set the power switch to **I (on)**. The green light will come on.

Throw away the first full bucket of ice.

Be sure nothing interferes with the sweep of the feeler arm.

When the bin fills to the level of the feeler arm, the icemaker will stop producing ice.

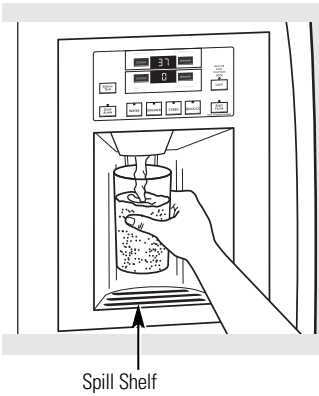
It is normal for several cubes to be joined together.





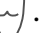
If ice is not used frequently, old ice cubes will become cloudy, taste stale and shrink.

After the icemaker has been turned on again, there will be a delay of about 45 minutes before the icemaker resumes operations.

NOTE: In homes with lower-than-average water pressure, you may hear the icemaker water valve cycle on several times when making one batch of ice. **Recommended water pressure is 60 psi.**



To Use the Dispenser

Select **CUBED** , **CRUSHED**  or **WATER** .

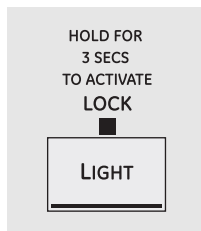
Press the glass gently against the middle of the dispenser pad.

The spill shelf is not self-draining. To reduce water spotting, the shelf and its grille should be cleaned regularly.

If no water is dispensed when the refrigerator is first installed, there may be air in the water line system. Press the dispenser arm for at least two minutes to remove trapped air from the water line and to fill the water system. To flush out impurities in the water line, throw away the first six glassfuls of water.

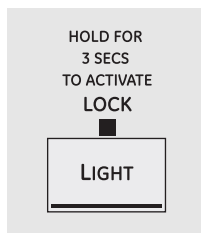
⚠ CAUTION: *Never put fingers or any other objects into the ice crusher discharge opening.*

Locking the Dispenser



Press the **LOCK/LIGHT** button for 3 seconds to lock the dispenser and control panel. To unlock, press and hold the button again for 3 seconds.

Dispenser Light



This button turns the **night light** on the dispenser on and off. The light also comes on when the dispenser pad is pressed. If this light burns out, it should be replaced with a 6 watt 12V maximum bulb.

Quick Ice



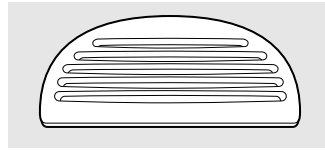
When you need ice in a hurry, press this button to speed up ice production. This will increase ice production for the following 48 hours or until you press the button again.

Door Alarm



To turn the Door Alarm on, press the **DOOR ALARM** button once. The **ACTIVE** light will come on. To turn it off, press it again. When the **DOOR ALARM** is active, the **ACTIVE** light will flash if you open the door and beep if you keep the door open for more than 2 minutes. The light goes out and the beeping stops when you close the door.

Care and cleaning of the refrigerator.



Dispenser drip area.

Cleaning the Outside

The spill shelf and the area beneath it should be cleaned periodically with a mild liquid dish detergent.

Dispenser pad. Before cleaning, lock the dispenser by pressing the **LOCK/LIGHT** button for 3 seconds to prevent activating the dispenser. Clean with warm water and a mild liquid dish detergent. Rinse thoroughly and wipe dry. Unlock the dispenser by pressing the **LOCK/LIGHT** button for 3 seconds.

Door handles. Clean with a cloth dampened with soapy water. Dry with a soft cloth.

Do not wipe the refrigerator with a soiled dish cloth or wet towel. These may leave a residue that can damage the finish. Do not use scouring pads, powdered cleaners, bleach or cleaners containing bleach because these products can scratch and damage the finish.

Stainless steel. Regularly clean and polish the Stainless Steel Doors with a commercially available stainless steel cleaner such as Stainless Steel Magic™ to preserve and protect the fine finish. Stainless Steel Magic is available through GE Parts and Accessories, 800.626.2002, or ge.com. Order part number WX10X15.

Do not use appliance wax or polish on the stainless steel.

Cleaning the Inside

Turn off power at the circuit breaker or fuse box before cleaning. If this is not practical, wring excess moisture out of sponge or cloth when cleaning around switches, lights or controls.

Use warm water and baking soda solution—about a tablespoon (15 ml) of baking soda to a quart (1 liter) of water. This both cleans and neutralizes odors. Thoroughly rinse and wipe dry.

Other parts of the refrigerator, including door gaskets, snack pan and vegetable drawers, ice storage bin and all plastic parts, can be cleaned the same way.

Do not wash the tray or any plastic refrigerator parts in the dishwasher.

Avoid cleaning cold glass shelves with hot water because the extreme temperature difference may cause them to break. Handle glass shelves carefully. Bumping tempered glass can cause it to shatter.

Preparing for Vacation

For long vacations or absences, remove food and unplug the refrigerator. Clean the interior with a baking soda solution of one tablespoon (15 ml) of baking soda to one quart (1 liter) of water. Leave the doors open.

Set the icemaker power switch to the **O (off)** position and shut off the water supply to the refrigerator.

If the temperature can drop below freezing, have a qualified servicer drain the water supply system to prevent serious property damage due to flooding.

Preparing to Move

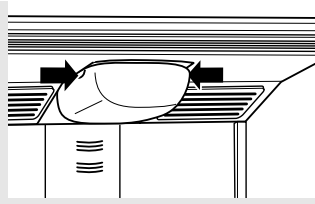
Secure all loose items such as shelves and drawers by taping them securely in place to prevent damage.

⚠ CAUTION: *Due to the weight and size of this refrigerator, and to reduce the risk of personal injury or damage to the product, A MINIMUM OF 4 PEOPLE ARE REQUIRED TO BRING THE UNIT INTO THE HOME AND 2 PEOPLE ARE REQUIRED FOR PROPER INSTALLATION.*

Be sure the refrigerator stays in an upright position during moving.

Replacing the light bulbs.

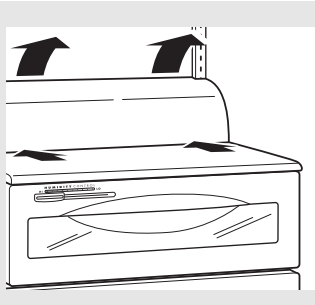
Setting the controls to **OFF** does not remove power to the light circuit.



(appearance may vary)

Refrigerator Compartment—Upper Light

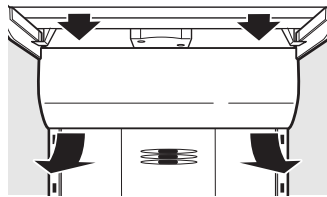
- 1 Raise the grille panel, set the master power switch to the **O (off)** position and allow lamps to cool.
- 2 To remove the light shield, press on the sides of the shield and pull down.
- 3 Replace the bulbs with appliance bulbs of the same or lower wattage. Replace the shield by engaging the bottom tab into the slot and applying light forward pressure until the shield snaps in place.
- 4 Set the master power switch to the **I (on)** position and close the grille panel.



Refrigerator Compartment—Lower Light

This light is located above the top drawer.

- 1 Raise the grille panel, set the master power switch to the **O (off)** position and allow lamps to cool.
- 2 Remove items from the shelf above the light shield. Remove the shelf.
- 3 Use both hands to grasp each end of the light shield. Press in on the bottom of the shield with your thumbs while rotating the cover up and out.
- 4 Replace the bulb with an appliance bulb of the same or lower wattage. Replace the shield by engaging the bottom tab into the slot and applying light forward pressure until the shield snaps in place.
- 5 Set the master power switch to the **I (on)** position and close the grille panel.



Freezer Compartment

- 1 Raise the grille panel, set the master power switch to the **O (off)** position and allow lamps to cool.
- 2 Remove the items from the shelf just below the light shield. Remove the shelf.
- 3 To remove the light shield, press down on the top of the shield and pull the tabs out of the slots. Tilt the shield forward and out.
- 4 Replace the bulb with an appliance bulb of the same or lower wattage, and reinstall the light shield. Replace the shield by engaging the bottom tab into the slot and applying light forward pressure until the shield snaps in place.
- 5 Set the master power switch to the **I (on)** position and close the grille panel.

Dispenser

- 1 Raise the grille panel, set the master power switch to the **O (off)** position and allow lamps to cool.
- 2 The bulb is located in the dispenser under the control panel. Remove the two screws from the light shield. Slide the light shield toward the dispenser to disengage the tabs, then remove the light shield. Remove the light bulb by turning it counterclockwise.
- 3 Replace the bulb with a bulb of the same size and wattage. Replace the light shield by sliding the tabs into the slots in the front of the dispenser. Replace the two screws.
- 4 Set the master power switch to the **I (on)** position and close the grille panel.

Installation Instructions

Built-In Side-By-Side Refrigerators

PSB42YS, PSB42YG, PSB48YS, PSB48YG

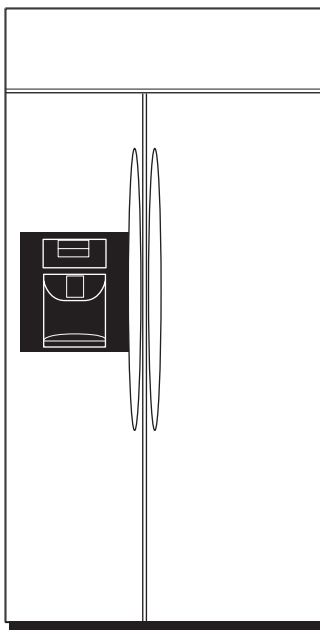
If you have questions, call 800.GE.CARES (800.432.2737) or visit our website at: ge.com
In Canada, call 1.800.561.3344 or visit our website at: www.geappliances.ca



BEFORE YOU BEGIN

Read these instructions completely and carefully.

- **IMPORTANT** – Observe all governing codes and ordinances.
- **Note to Installer** – Be sure to leave these instructions for the consumer's and local inspector's use.
- **Note to Consumer** – Keep these instructions with your Owner's Manual for future reference.
- **Skill Level** – Installation of this refrigerator requires basic mechanical, carpentry and plumbing skills. Proper installation is the responsibility of the installer. Product failure due to improper installation is not covered under the GE Appliance Warranty. See warranty information.
- **Completion Time** – 90 minutes (new installations require more time than replacement installations).



! CAUTION:

Due to the weight and size of this refrigerator, and to reduce the risk of personal injury or damage to the product, **A MINIMUM OF 4 PEOPLE ARE REQUIRED TO BRING THE UNIT INTO THE HOME AND 2 PEOPLE ARE REQUIRED FOR PROPER INSTALLATION.**

! WARNING:

- These refrigerators are **top-heavy** and must be secured to prevent the possibility of tipping forward. **Anti-Tip protection is required.** See Step 4 on page 34 for details.
- Use this appliance only for its intended purpose.
- Immediately repair or replace electric power supply cords that become frayed or damaged.
- Set the **Master Power** switch to the **O (OFF)** position before cleaning or making repairs.
- Repairs should be made by a qualified service technician.

For GE Profile™ local service in your area, call 1.800.432.2737.

For GE Profile service in Canada, call 1.800.561.3344.

For GE Profile Parts and Accessories, call 1.800.626.2002.

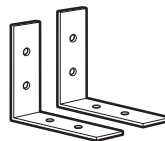
ge.com (in Canada, geappliances.ca)

**READ CAREFULLY.
KEEP THESE INSTRUCTIONS.**

Installation Instructions

HARDWARE SUPPLIED

- Water filter bypass plug
- Anti-Tip brackets



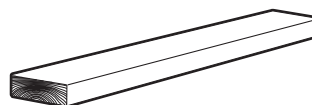
Anti-Tip Brackets



Water Filter Bypass Plug

MATERIALS REQUIRED

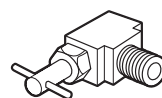
- 36" long, 2" x 4" wood block for Anti-Tip bracket installation
- #12 or #14 wood screws for Anti-Tip bracket
- Screws to secure refrigerator to cabinets
- 1/4" O.D. copper water line tubing or GE SmartConnect™ refrigerator tubing kits
- Water shutoff valve
- Custom panels for doors and grille panel (if installing custom panels)
- Special 3M Dual Lock adhesive strips for 1/4" side panels (if installing side panels)



36" Wood Block



1/4" O.D. Copper Water Line Tubing or GE SmartConnect™ Refrigerator Tubing Kit



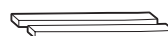
Water Shutoff Valve



#12 or #14 Wood Screws



Screws



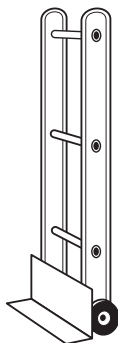
Special 3M Dual Lock Adhesive Strips



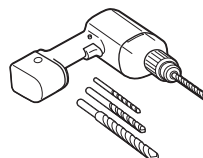
Custom Panels

TOOLS REQUIRED

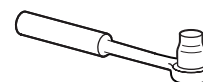
- Tinsnips to cut banding
- Stepladder
- Bucket
- Level
- Appliance dolly
- Tubing cutter
- Flathead screwdriver
- 1/2" open-end wrench
- #2 Phillips screwdriver
- Drill and appropriate bits
- 7/32", 1/2" sockets
- Safety glasses
- 7/16" open-end wrench
- Pliers



Appliance Dolly



Drill & Bits



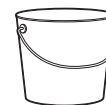
Sockets



Safety Glasses



Open-end Wrenches



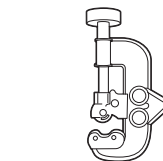
Bucket



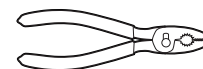
Stepladder



Flathead Screwdriver



Tubing Cutter



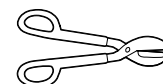
Pliers



Phillips Head Screwdriver



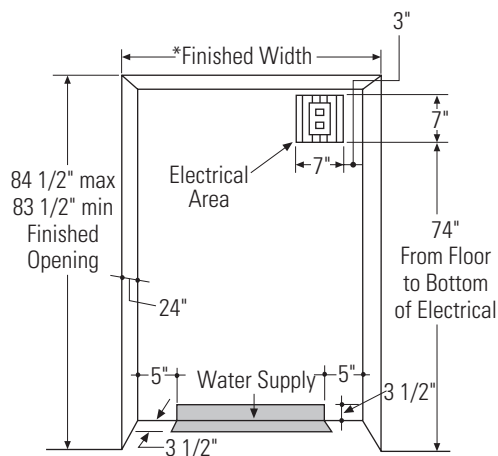
Level



Tinsnips

Installation Instructions

THE INSTALLATION SPACE



*The finished cutout width must be: 41-1/2" for 42" models and 47-1/2" for 48" models

Water and Electrical Locations

The opening must be prepared with the electrical and water supply located as shown.

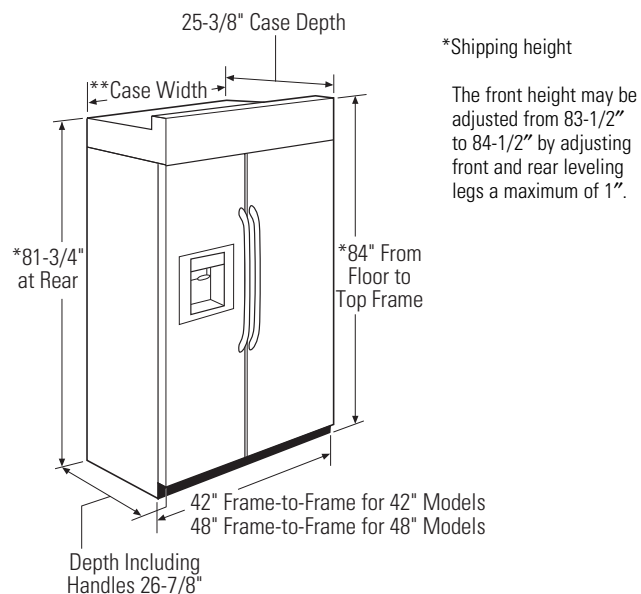
The cutout depth must be 24"

The refrigerator will project forward, slightly beyond adjacent cabinets, depending on your installation.

Additional Specifications

- A 120 volt, 60Hz, 15 or 20 amp power supply is required. An individual properly grounded branch circuit or circuit breaker is recommended. Install a properly grounded 3-prong electrical receptacle recessed into the back wall. Electrical must be located on rear wall as shown.
- **Note:** GFI (ground fault interrupter) is not recommended.
- Water line can enter the opening through the floor or rear wall. The water line installed should be 1/4" O.D. copper tubing or GE SmartConnect™ tubing between the cold water line and water connection location. The line should be long enough to extend to the front of the refrigerator. Installation of an easily accessible shutoff valve in the water line is required.

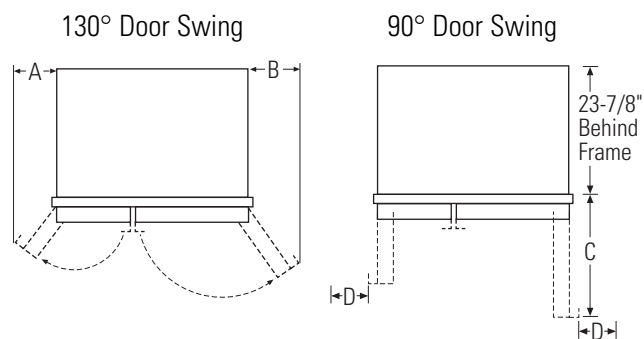
DIMENSIONS AND CLEARANCES



**The case width must be: 41" for 42" models and 47" for 48" models

Product Clearances

These refrigerators are equipped with a 2 position door stop. The factory set 130° door swing can be adjusted to 90° if clearance to adjacent cabinets or walls is restricted.



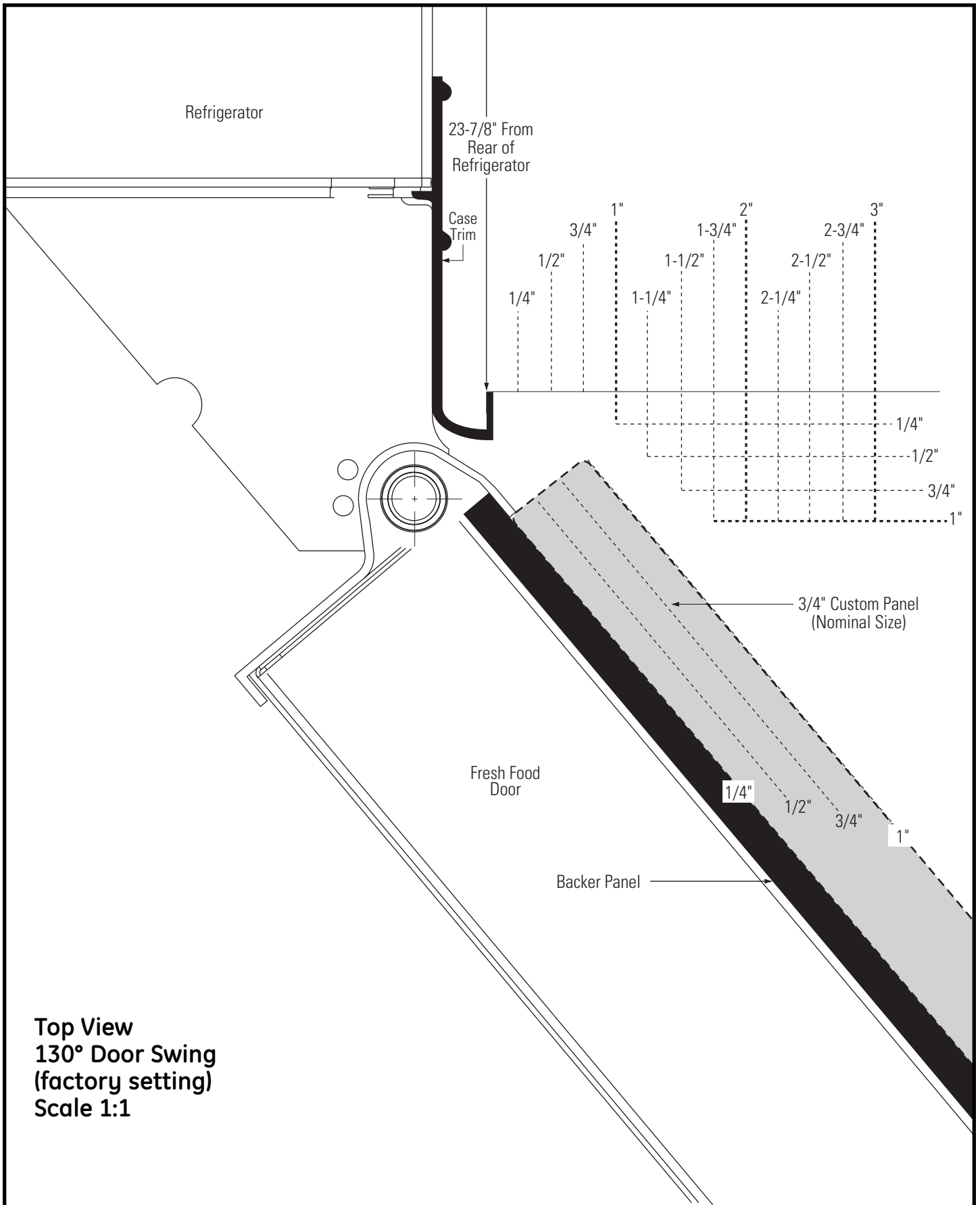
Models	A	B	C	D
42"	12-3/16"	16"	24"	5"
48"	13-7/16"	18-9/16"	28"	5"

Allow minimum clearances for Freezer door (Dimension A) and Fresh Food door (Dimension B) for a full 130° door swing and to allow for drawer removal.

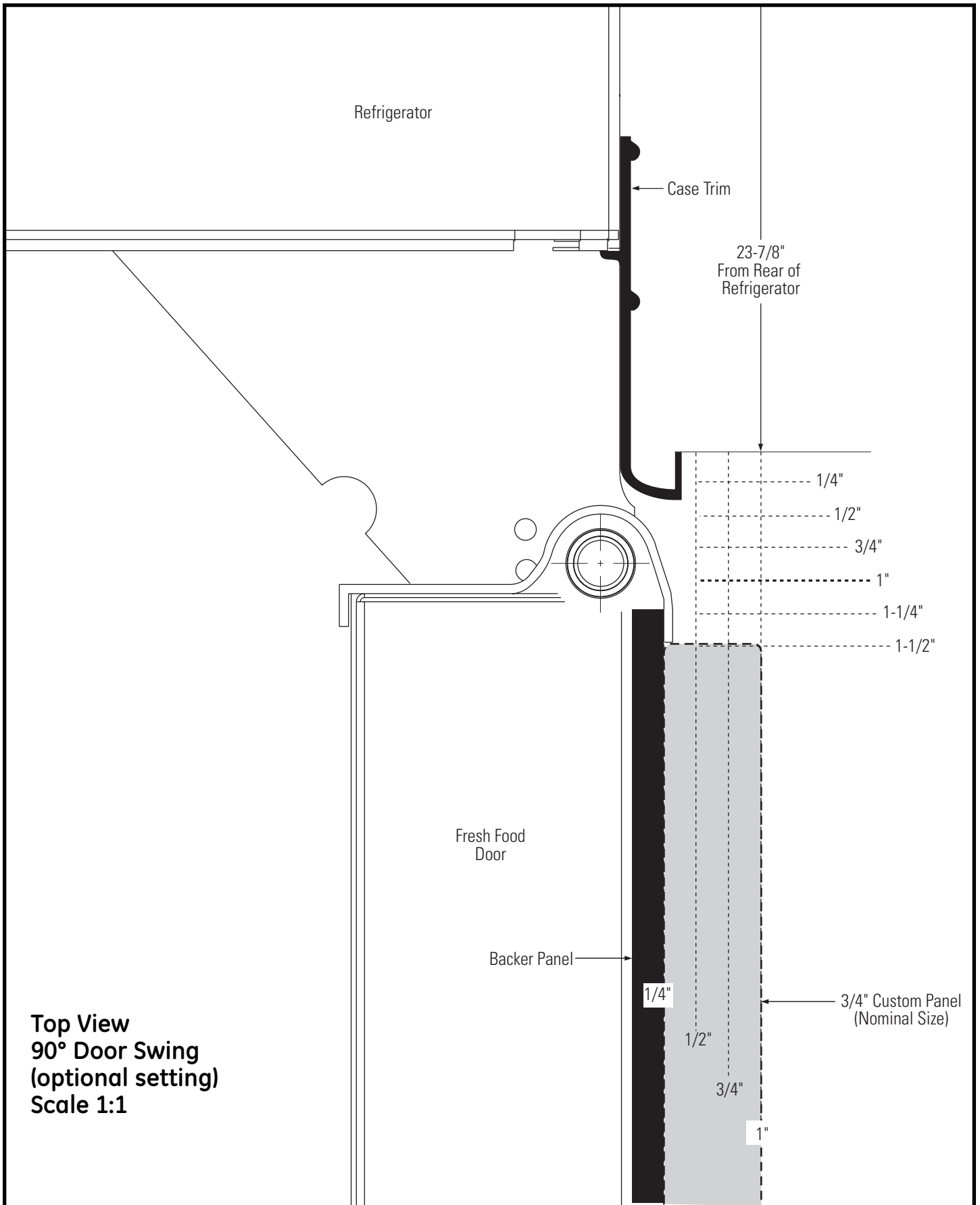
Four inch (4") minimum clearance is required when door swing is adjusted to 90°. If the 90° door stop position is used, drawer access is maintained, but drawer removal is restricted.

See illustrations, pages 18 and 19, to determine door swing interaction with adjacent cabinets or countertops.

Installation Instructions



Installation Instructions



Installation Instructions

CUSTOMIZATION BASICS:

Stainless Steel Wrapped Models

42" wide model—PSB42YS

48" wide model—PSB48YS

Stainless Steel wrapped refrigerators have wrapped doors and grille panels, and beveled edges. These models are shipped ready for installation.

Trimmed Models

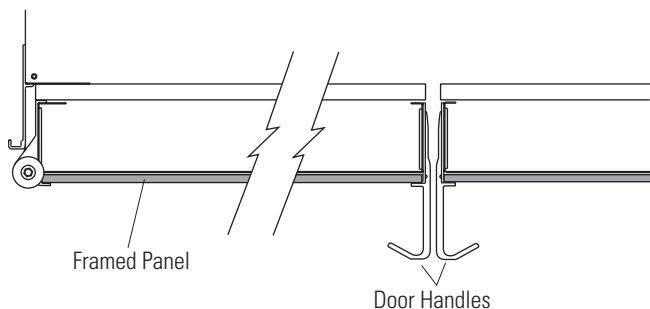
42" wide models—PSB42YG

48" wide models—PSB48YG

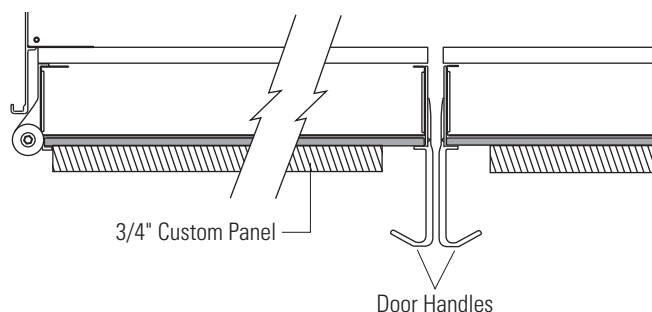
Trimmed refrigerators are designed to be customized with decorative panels. Field installed custom door and grille panels are required. Panels can be framed or full-width and can use either the pre-installed handles or custom handles provided by your cabinet manufacturer.

Framed Custom Panels

You may install custom panels from your cabinet manufacturer. The decorative panel slides into the factory installed trim. A 1/4" finished panel can be used.



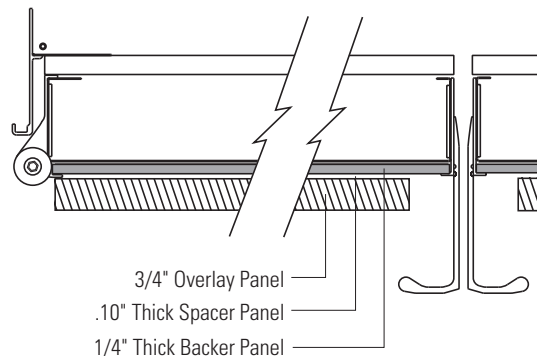
You may install a 3/4" panel attached to a 1/4" backer panel. If the pre-installed door handles are used, the backer panel will be exposed by the handle and therefore must be finished (page 24). Custom handles can also be used.



Full-Width Overlay Custom Panels

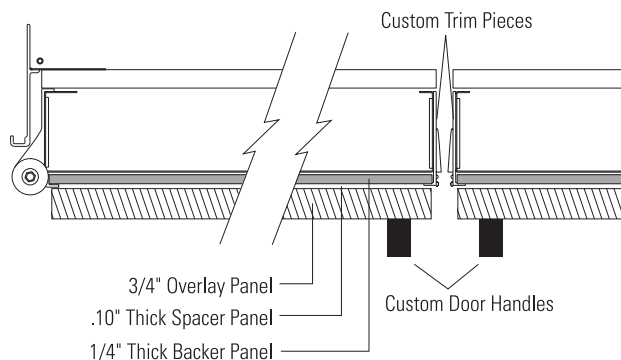
Full-width overlay custom panels are designed to slide into the factory-installed trim, no kits required. In this design, you can achieve a nearly trimless appearance.

A 0.10" spacer panel must be installed between the finished 1/4" backer panel and 3/4" appearance panel. If the pre-installed door handles are used, the backer panel will be exposed near the handle and therefore must be finished (page 24).



Door Handles

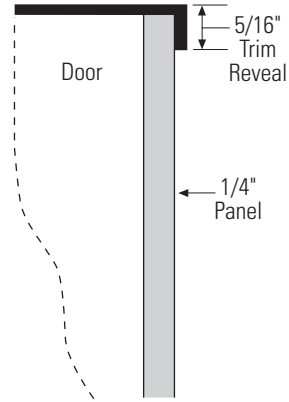
The pre-installed handles can accommodate both framed or overlay panels. Custom handles of your choice, supplied by your cabinet maker, can be installed only on 3/4" overlay panels. When installing custom handles, measure to ensure the mounting for the handles selected will clear the dispenser when installed on the freezer door. Handles need to mount on the upper and lower wood panels of the freezer door and not on the dispenser. If a custom handle is used, only the 3/4" overlay panel must be exposed, and the custom trim pieces should be installed (page 38).



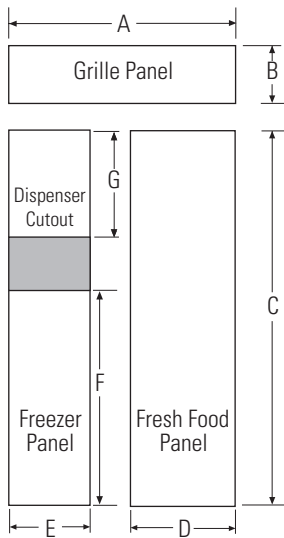
Installation Instructions

1/4" FRAMED PANEL DIMENSIONS

If you choose to install framed panels, they must be cut to the dimensions shown. The panels will slide into the frame on the doors and grille.



IMPORTANT NOTE: Maximum weight is 70 pounds for the Fresh Food panel, 45 pounds total for Freezer panels and 15 pounds for the grille panel.



Front Panel Dimensions (in inches)

	A	B	C	D	E	F	G
42" Models	39-15/16	10-3/4	67-7/8	22-11/32	16-7/16	35-5/32	17-13/16
48" Models	45-31/32	10-3/4	67-7/8	26-15/32	18-15/32	35-5/32	17-13/16

IMPORTANT NOTE: Dispenser Trim

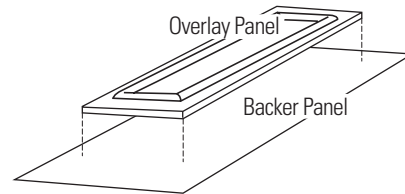
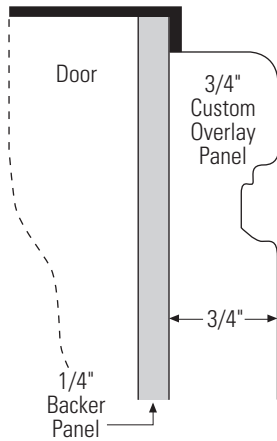
The refrigerator is supplied with factory installed dispenser trim.

- If panel is less than 1/4" thick, a noticeable gap will be created around the dispenser trim. Foam tape may be applied on the door to improve the fit.
- If panel is more than 1/4" thick, the panel will not fit behind the trim.

Installation Instructions

3/4" FRAMED CUSTOM PANEL OPTION

For a more custom appearance, 3/4" framed custom panels may be installed on trimmed models. The overlay panel is secured to a 1/4" finished backer panel. The assembled custom panel then slides into the trim with the same procedure described on page 37.

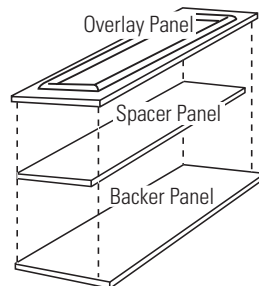
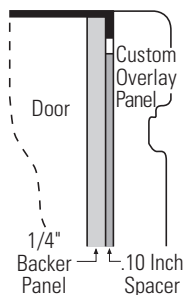


NOTE: Left-to-right offset is not equal to top-to-bottom offset.

$$.250 + .750 = 1.000 \text{ Maximum Total Panel Thickness}$$

3/4" FULL-WIDTH OVERLAY CUSTOM PANEL OPTION

This design provides a nearly trimless appearance. The full width overlay panel covers most of the door trim. In this design, a spacer panel must be installed between the finished backer and overlay panel.



NOTE: Left-to-right offset is not equal to top-to-bottom offset.

$$.250 + .10 + .750 = 1.100 \text{ Maximum Total Panel Thickness}$$

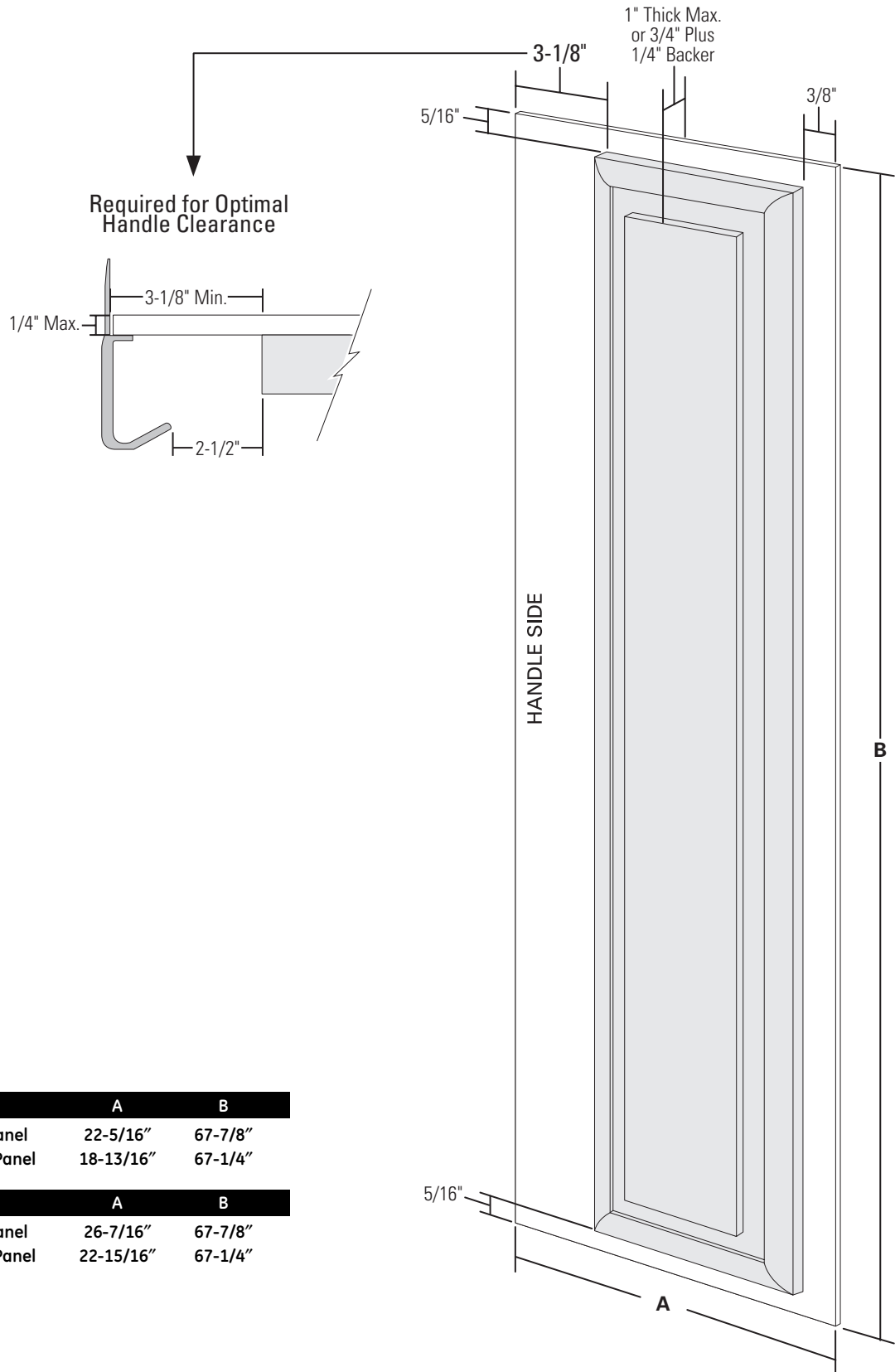
IMPORTANT NOTE: Maximum total weight is 70 pounds for any assembled Fresh Food panel, 45 pounds total for the Freezer panels and 15 pounds for the grille panel.

Installation Instructions

3/4" FRAMED CUSTOM WOOD PANELS WITH PRE-INSTALLED HANDLES

Secured to a 1/4" finished backer panel. This design provides a framed appearance.

Fresh Food Panel



42" Models	A	B
1/4" Backer Panel	22-5/16"	67-7/8"
3/4" Overlay Panel	18-13/16"	67-1/4"

48" Models	A	B
1/4" Backer Panel	26-7/16"	67-7/8"
3/4" Overlay Panel	22-15/16"	67-1/4"

Installation Instructions

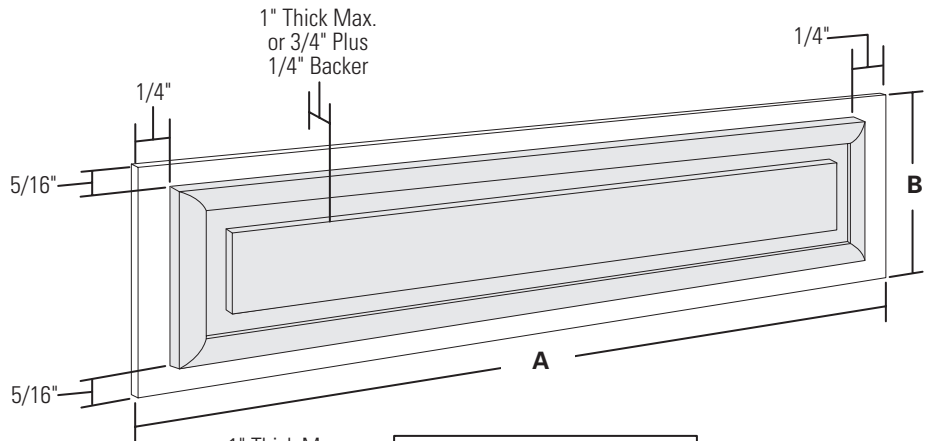
3/4" FRAMED CUSTOM WOOD PANELS WITH PRE-INSTALLED HANDLES

Secured to a 1/4" finished backer panel. This design provides a framed appearance.

Grille Panel

42" Models		
	A	B
1/4" Backer Panel	39-15/16"	10-3/4"
3/4" Overlay Panel	39-7/16"	10-1/8"

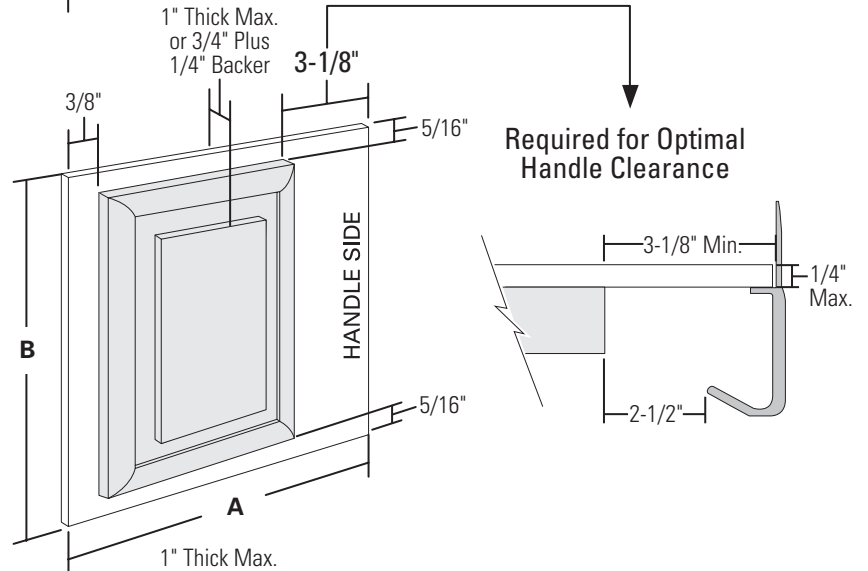
48" Models		
	A	B
1/4" Backer Panel	45-15/16"	10-3/4"
3/4" Overlay Panel	45-7/16"	10-1/8"



Upper Freezer Panel

42" Models		
	A	B
1/4" Backer Panel	16-7/16"	17-13/16"
3/4" Overlay Panel	12-15/16"	17-3/16"

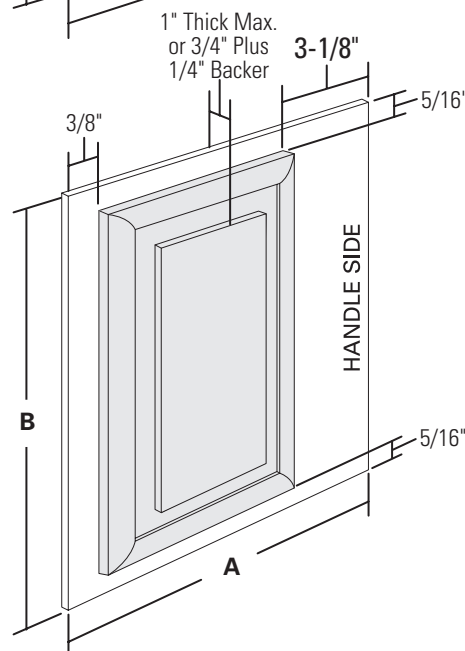
48" Models		
	A	B
1/4" Backer Panel	18-7/16"	17-13/16"
3/4" Overlay Panel	14-15/16"	17-3/16"



Lower Freezer Panel

42" Models		
	A	B
1/4" Backer Panel	16-7/16"	35-1/8"
3/4" Overlay Panel	12-15/16"	34-1/2"

48" Models		
	A	B
1/4" Backer Panel	18-7/16"	35-1/8"
3/4" Overlay Panel	14-15/16"	34-1/2"



Installation Instructions

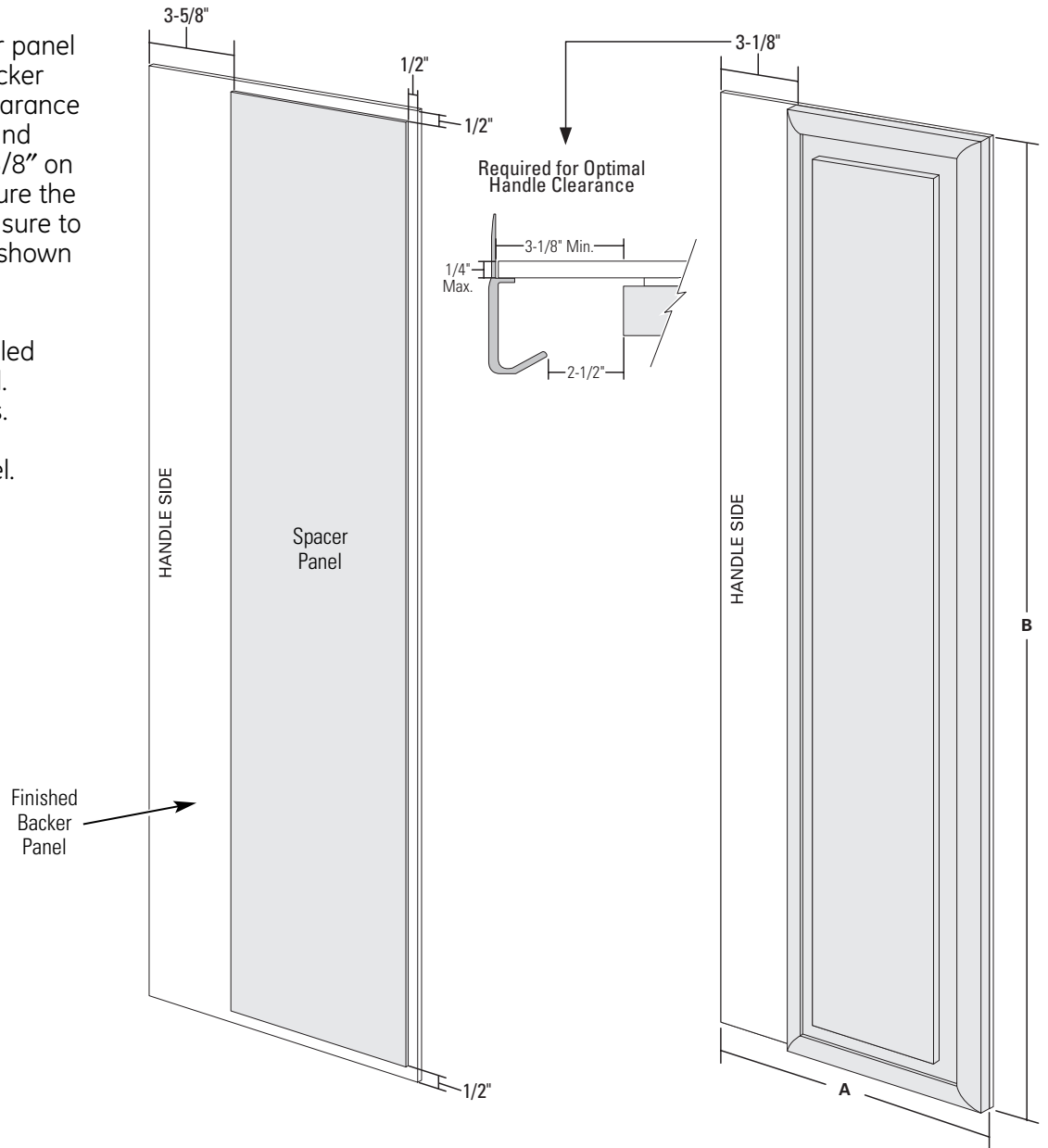
3/4" FULL-WIDTH OVERLAY CUSTOM PANELS WITH PRE-INSTALLED HANDLES

This panel design provides a nearly trimless appearance.

Fresh Food Panel

Assemble the spacer panel onto the finished backer panel. Allow 1/2" clearance on the top, bottom and hinge side. Allow 3-5/8" on the handle side. Secure the panels with glue. Be sure to observe clearances shown on all sides.

Secure the overlay panel to the assembled backer/spacer panel. Use glue and screws. Countersink screws into the backer panel.



42" Models	A	B
------------	---	---

1/4" Backer Panel	22-5/16"	67-7/8"
0.10" Spacer Panel	18-3/16"	66-7/8"
3/4" Overlay Panel	19-5/16"	68-1/8"

48" Models	A	B
------------	---	---

1/4" Backer Panel	26-7/16"	67-7/8"
0.10" Spacer Panel	22-5/16"	66-7/8"
3/4" Overlay Panel	23-7/16"	68-1/8"

Installation Instructions

3/4" FULL-WIDTH OVERLAY CUSTOM PANELS WITH PRE-INSTALLED HANDLES

This panel design provides a nearly trimless appearance.

Assemble the spacer panel onto the backer panel. Allow 1/2" clearance on all four sides of the grille spacer panel. Allow 1/2" clearance on the top and hinge side, 15/16" on the bottom and 3-5/8" on the handle side of the upper freezer door panel. Allow 15/16" on the top, 1/2" clearance on the bottom and hinge side and 3-5/8" on the handle side of the lower freezer door panel. Secure the panels with glue. Be sure to observe clearances on all sides.

Secure the appearance panel to the assembled backer/spacer panel. Use glue and screws. Countersink screws into the backer panel.

Grille Panel

42" Models	A	B
1/4" Backer Panel	39-15/16"	10-3/4"
0.10" Spacer Panel	38-15/16"	9-3/4"
3/4" Overlay Panel	40-3/16"	11"

48" Models	A	B
1/4" Backer Panel	45-15/16"	10-3/4"
0.10" Spacer Panel	44-15/16"	9-3/4"
3/4" Overlay Panel	46-3/16"	11"

Upper Freezer Panel

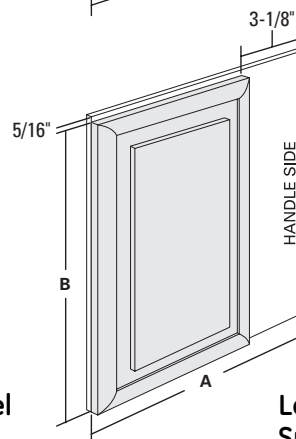
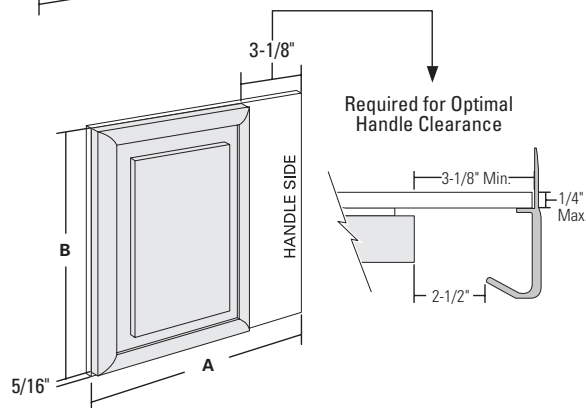
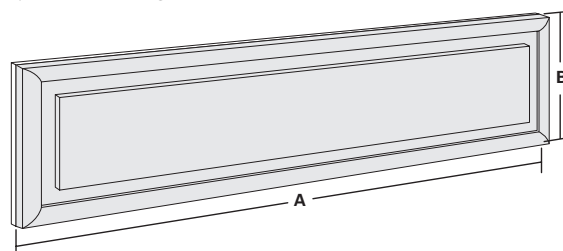
42" Models	A	B
1/4" Backer Panel	16-7/16"	17-13/16"
0.10" Spacer Panel	12-5/16"	16-3/8"
3/4" Overlay Panel	13-7/16"	17-5/8"

48" Models	A	B
1/4" Backer Panel	18-7/16"	17-13/16"
0.10" Spacer Panel	14-5/16"	16-3/8"
3/4" Overlay Panel	15-7/16"	17-5/8"

Lower Freezer Panel

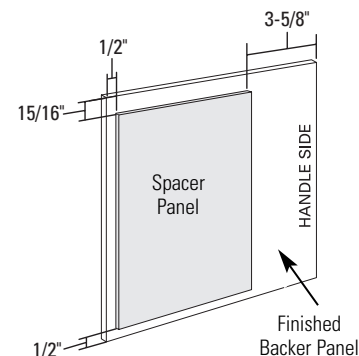
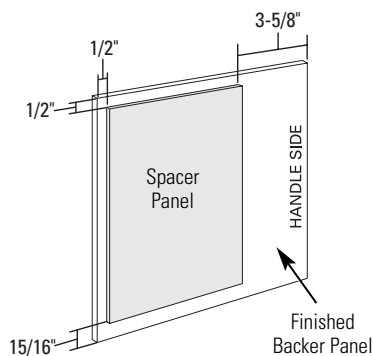
42" Models	A	B
1/4" Backer Panel	16-7/16"	35-1/8"
0.10" Spacer Panel	12-5/16"	33-11/16"
3/4" Overlay Panel	13-7/16"	34-15/16"

48" Models	A	B
1/4" Backer Panel	18-7/16"	35-1/8"
0.10" Spacer Panel	14-5/16"	33-11/16"
3/4" Overlay Panel	15-7/16"	34-15/16"



Upper Freezer Panel Spacer Assembly

Lower Freezer Panel Spacer Assembly

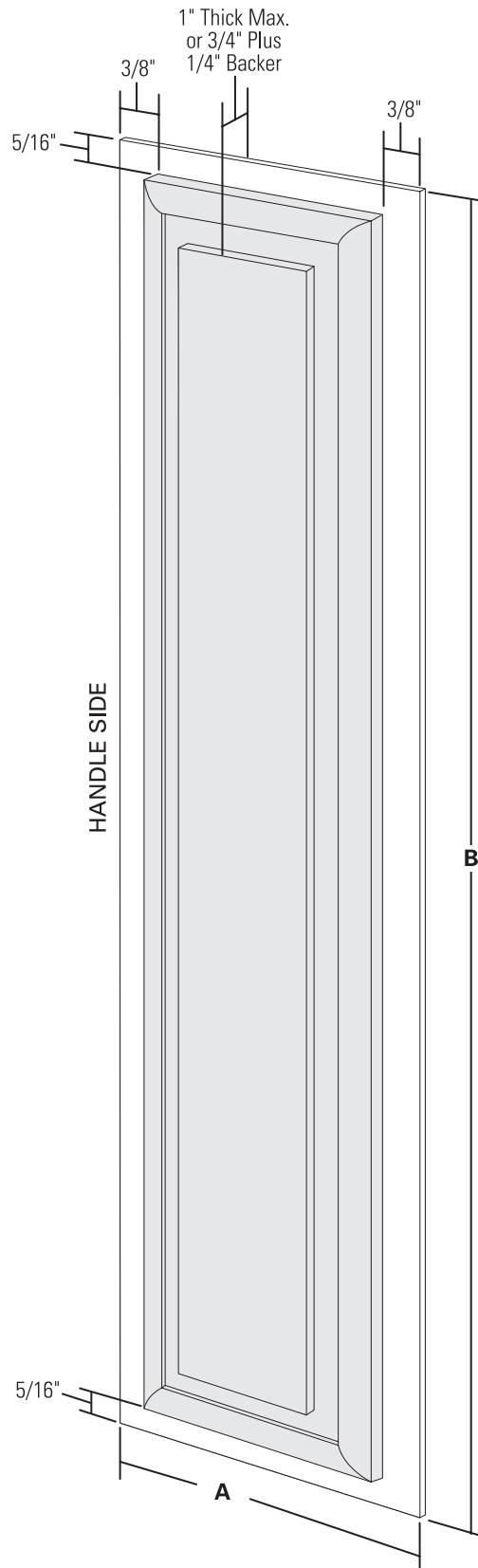


Installation Instructions

3/4" FRAMED CUSTOM WOOD PANELS WITH CUSTOM HANDLES

Secured to a 1/4" finished backer panel. This design provides a framed appearance.

Fresh Food Panel



42" Models	A	B
1/4" Backer Panel	22-5/16"	67-7/8"
3/4" Overlay Panel	21-15/16"	67-1/4"
48" Models	A	B
1/4" Backer Panel	26-7/16"	67-7/8"
3/4" Overlay Panel	26-1/16"	67-1/4"

Installation Instructions

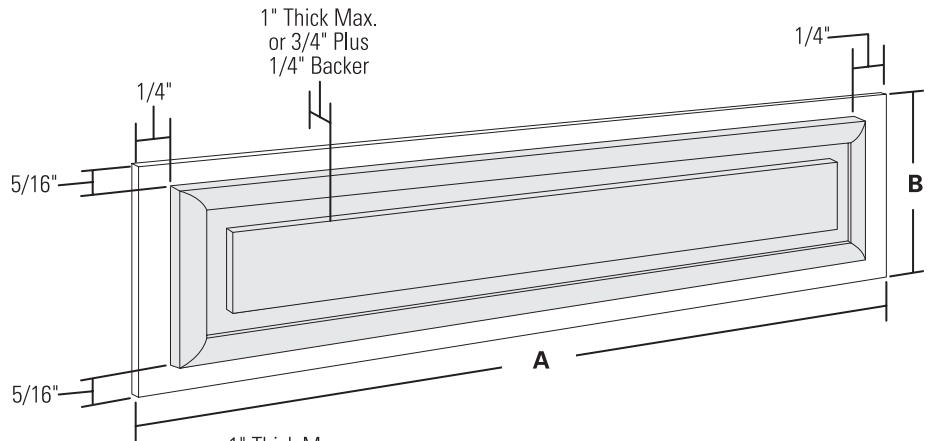
3/4" FRAMED CUSTOM WOOD PANELS WITH CUSTOM HANDLES

Secured to a 1/4" finished backer panel. This design provides a framed appearance.

Grille Panel

42" Models		
	A	B
1/4" Backer Panel	39-15/16"	10-3/4"
3/4" Overlay Panel	39-7/16"	10-1/8"

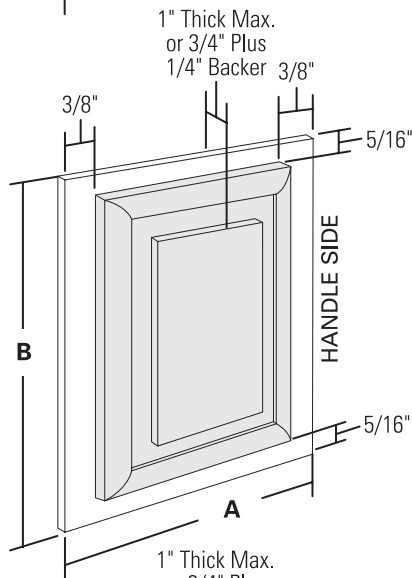
48" Models		
	A	B
1/4" Backer Panel	45-15/16"	10-3/4"
3/4" Overlay Panel	45-7/16"	10-1/8"



Upper Freezer Panel

42" Models		
	A	B
1/4" Backer Panel	16-7/16"	17-13/16"
3/4" Overlay Panel	16-1/16"	17-3/16"

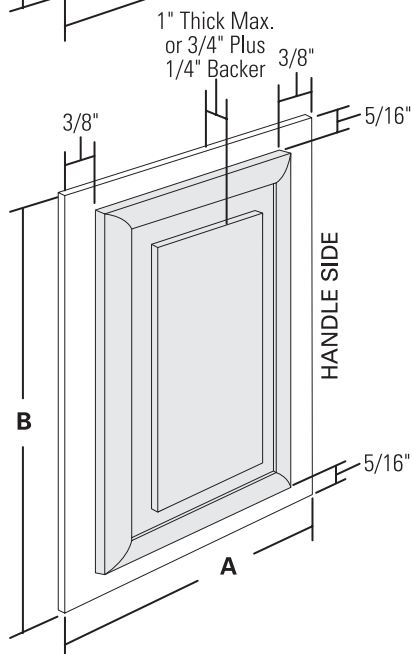
48" Models		
	A	B
1/4" Backer Panel	18-7/16"	17-13/16"
3/4" Overlay Panel	18-1/16"	17-3/16"



Lower Freezer Panel

42" Models		
	A	B
1/4" Backer Panel	16-7/16"	35-1/8"
3/4" Overlay Panel	16-1/16"	34-1/2"

48" Models		
	A	B
1/4" Backer Panel	18-7/16"	35-1/8"
3/4" Overlay Panel	18-1/16"	34-1/2"



Installation Instructions

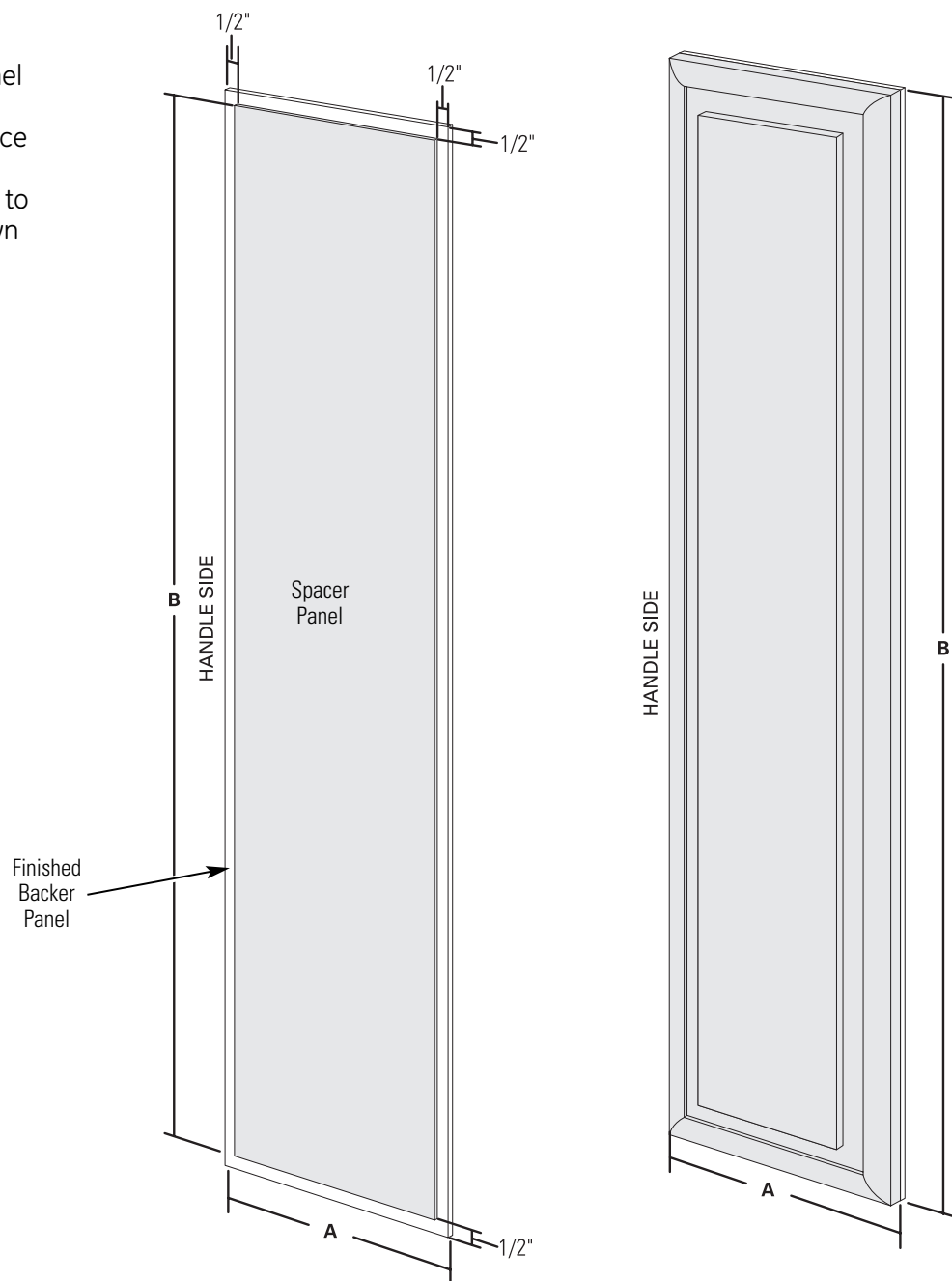
3/4" FULL-WIDTH OVERLAY CUSTOM PANELS WITH CUSTOM HANDLES

This panel design provides a nearly trimless appearance.

Fresh Food Panel

Assemble the spacer panel onto the finished backer panel. Allow 1/2" clearance on all sides. Secure the panels with glue. Be sure to observe clearances shown on all sides.

Secure the overlay panel to the assembled backer/spacer panel. Use glue and screws. Countersink screws into the backer panel.



42" Models	A	B
1/4" Backer Panel	22-5/16"	67-7/8"
0.10" Spacer Panel	21-13/16"	66-7/8"
3/4" Overlay Panel	22-5/16"	68-1/8"

1/4" Backer Panel	22-5/16"	67-7/8"
0.10" Spacer Panel	21-13/16"	66-7/8"
3/4" Overlay Panel	22-5/16"	68-1/8"

48" Models	A	B
1/4" Backer Panel	26-7/16"	67-7/8"
0.10" Spacer Panel	25-13/16"	66-7/8"
3/4" Overlay Panel	26-7/16"	68-1/8"

1/4" Backer Panel	26-7/16"	67-7/8"
0.10" Spacer Panel	25-13/16"	66-7/8"
3/4" Overlay Panel	26-7/16"	68-1/8"

Installation Instructions

3/4" FULL-WIDTH OVERLAY CUSTOM PANELS WITH CUSTOM HANDLES

This panel design provides a nearly trimless appearance.

Assemble the spacer panel onto the backer panel. Allow 1/2" clearance on all four sides of the grille spacer panel. Allow 1/2" clearance on the top, hinge side and handle side, and 15/16" on the bottom of the upper freezer door panel. Allow 15/16" on the top and 1/2" clearance on the bottom, hinge side and handle side of the lower freezer door panel. Secure the panels with glue. Be sure to observe clearances on all sides.

Secure the appearance panel to the assembled backer/spacer panel. Use glue and screws. Countersink screws into the backer panel.

Grille Panel

42" Models

	A	B
1/4" Backer Panel	39-15/16"	10-3/4"
0.10" Spacer Panel	38-15/16"	9-3/4"
3/4" Overlay Panel	40-3/16"	11"

48" Models

	A	B
1/4" Backer Panel	45-15/16"	10-3/4"
0.10" Spacer Panel	44-15/16"	9-3/4"
3/4" Overlay Panel	46-3/16"	11"

Upper Freezer Panel

42" Models

	A	B
1/4" Backer Panel	16-7/16"	17-13/16"
0.10" Spacer Panel	15-7/16"	16-3/8"
3/4" Overlay Panel	16-7/16"	17-5/8"

48" Models

	A	B
1/4" Backer Panel	18-7/16"	17-13/16"
0.10" Spacer Panel	17-7/16"	16-3/8"
3/4" Overlay Panel	18-7/16"	17-5/8"

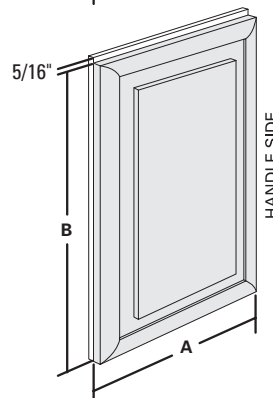
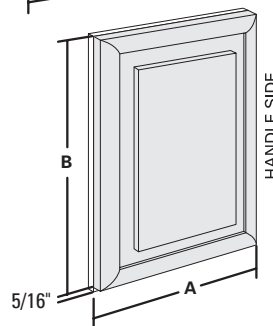
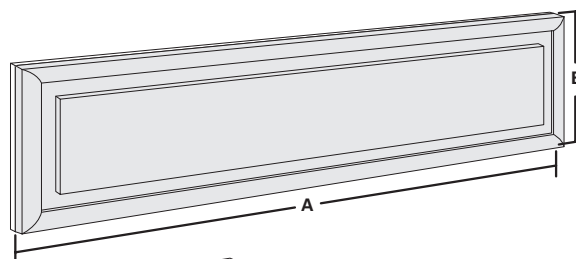
Lower Freezer Panel

42" Models

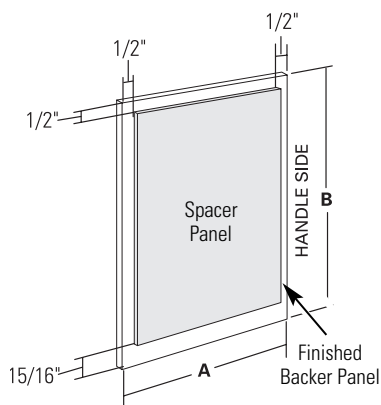
	A	B
1/4" Backer Panel	16-7/16"	35-1/8"
0.10" Spacer Panel	15-7/16"	33-11/16"
3/4" Overlay Panel	16-7/16"	34-15/16"

48" Models

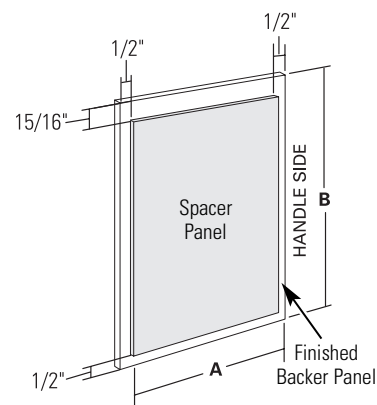
	A	B
1/4" Backer Panel	18-7/16"	35-1/8"
0.10" Spacer Panel	17-7/16"	33-11/16"
3/4" Overlay Panel	18-7/16"	34-15/16"



Upper Freezer Panel Spacer Assembly



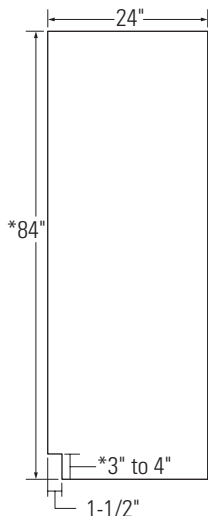
Lower Freezer Panel Spacer Assembly



Installation Instructions

SIDE PANELS

Side panels (not supplied) must be used whenever the sides of the refrigerator will be exposed. The 1/4" side panels will slip into the side case trim. Order side panels from your cabinet manufacturer.



* Depending on installation height.

FLOORING

For proper installation, this refrigerator must be placed on a level surface of hard material that is at the same height as the rest of the flooring. This surface should be strong enough to support a fully loaded refrigerator, or approximately 1500 lb.

NOTE: Protect the finish of the flooring. Cut a large section of the cardboard carton and place under the refrigerator where you are working.

GROUNDING THE REFRIGERATOR

IMPORTANT—Please read carefully

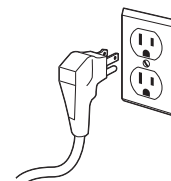
FOR PERSONAL SAFETY, THIS APPLIANCE MUST BE PROPERLY GROUNDED.

The power supply cord of this appliance is equipped with a three-prong (grounding) plug which mates with a standard three-prong (grounding) wall receptacle to minimize the possibility of electric shock hazard from this appliance.

Have the wall outlet and circuit checked by a qualified electrician to make sure the outlet is properly grounded.

Where a standard 2-prong wall outlet is encountered, it is your personal responsibility and obligation to have it replaced with a properly grounded 3-prong wall outlet.

DO NOT, UNDER ANY CIRCUMSTANCES, CUT OR REMOVE THE THIRD (GROUND) PRONG FROM THE POWER CORD.



DO NOT USE AN ADAPTER PLUG TO CONNECT THE REFRIGERATOR TO A 2-PRONG OUTLET.

DO NOT USE AN EXTENSION CORD WITH THIS APPLIANCE.

Installation Instructions

1 REMOVE PACKAGING

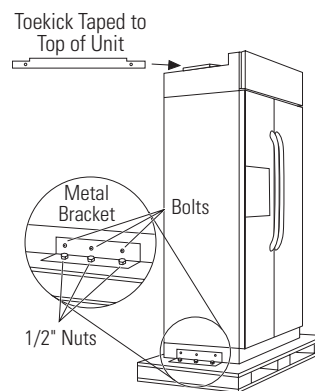
⚠ CAUTION: Refrigerator is **Top-Heavy**—be careful when moving. When using an appliance dolly, handle from Freezer side only.

- Carefully cut banding at the top and bottom; remove outer carton.
- Slide out rear corner posts (2).
- Slide carton off top of cabinet.

NOTE: DO NOT LAY CABINET DOWN IN ORDER TO REMOVE SKID!

- The unit is secured to the skid with six 7/16" bolts and six 1/2" nuts.
- Remove all six 7/16" bolts that secure metal brackets to the refrigerator.
- Remove the three 1/2" nuts and washers from the Freezer side.
- Remove nut from rear wood block on Freezer side.
- Tilt unit up on Freezer side toward Fresh Food side.
- Push bolts down, remove metal bracket from Freezer side. Remove wood block from Freezer side.
- Slide the appliance dolly underneath the Freezer side.
- Using corner posts (2 on front corners) to prevent damage, secure unit to appliance dolly.

NOTE: If corner posts are too long, cut the posts to a shorter length.



- Lift the unit off the skid with the appliance dolly.
- Remove toekick taped to the top of the unit.
- Set toekick aside for final installation.

⚠ CAUTION: DO NOT ATTEMPT TO ROLL OR DRAG UNTIL UNIT IS OFF SKID.

⚠ CAUTION: MAKE SURE THE WATER LINE IS CLEAR OF APPLIANCE DOLLY TO AVOID DAMAGE.

Installation Instructions

2 INSTALL WATER LINE

- A cold water supply is required for automatic icemaker operation. The water pressure must be between 40 and 120 psi.
- Route 1/4" O.D. copper tubing or GE SmartConnect™ tubing between cold water line and the water connection location.
- Tubing should be long enough to extend to the front of the refrigerator. Allow enough tubing to accommodate bend leading into the water line connection.

NOTE: The only GE approved plastic tubing is supplied in the GE SmartConnect™ Refrigerator Tubing kits. Do not use any other plastic water supply line; the line is under pressure at all times. Certain types of plastic may crack or rupture with age and cause water damage to your home.

GE SmartConnect™ refrigerator tubing kits are available in the following lengths:

2' (0.6m) WX08X10002

6' (1.8m) WX08X10006

15' (4.6m) WX08X10015

25' (7.6m) WX08X10025

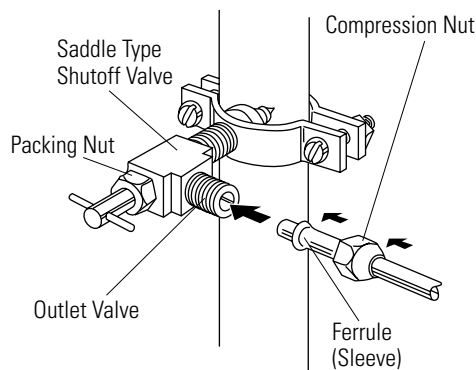
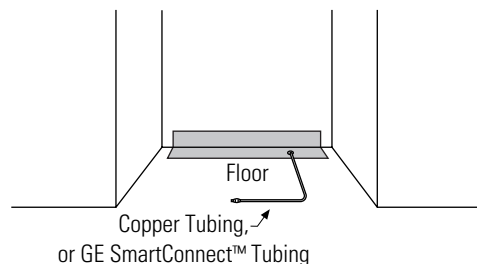
Shut off the main water supply.

Turn on the nearest faucet long enough to purge all the water from the line.

- Install a shutoff valve between the icemaker water valve and cold water pipe in a basement or cabinet. The shutoff valve should be located where it will be easily accessible.

NOTE: It is best to install the valve into a vertical water pipe. If you install the valve into a horizontal water pipe, make the connection at the top or side to avoid drawing off any sediment from the water pipe.

- Drill a 1/4" hole in the water pipe.
- Fasten the shutoff valve to the pipe with pipe clamp.
- Tighten the clamp screws until the sealing washer begins to swell. **Do not OVERTIGHTEN.**
- Place a compression nut and ferrule (sleeve) for copper tubing onto the end of the tubing and connect it to the shutoff valve. Make sure the tubing is fully inserted into the valve and ferrule is tightened.



- For plastic tubing from a GE SmartConnect™ refrigerator tubing kit, insert the molded end of the tubing into the shutoff valve and tighten the compression nut until it is hand tight, and then tighten an additional turn with a wrench.
- Turn on the main water supply and flush debris. Run about a quart of water through the tubing into a bucket. Shut off water supply at the shutoff valve.

NOTE: Saddle type shutoff valves are included in many water supply kits. Before purchasing, make sure a saddle type valve complies with your local plumbing codes.

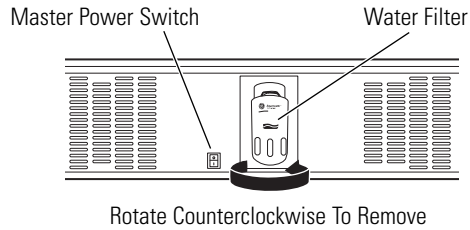
NOTE: Commonwealth of Massachusetts Plumbing Codes 248CMR must be adhered to. Saddle valves are illegal and use is not permitted in Massachusetts. Consult with your licensed plumber.

Installation Instructions

2A WATER LINE INSTALLATION WITH A REVERSE OSMOSIS SYSTEM

SKIP THIS STEP WHEN NOT USING AN RO SYSTEM

NOTE: If the water supply to the refrigerator is from a Reverse Osmosis Water System, use the refrigerator's filter bypass plug. Using the refrigerator's water filtration cartridge with the RO filter can result in hollow ice cubes.



- Open the top grille to view the filtration cartridge. Rotate the filtration cartridge counterclockwise until removed.
- Insert filter bypass plug. Rotate the filter bypass plug clockwise until tightly secured in place.

3 INSTALL SIDE PANELS

SKIP THIS STEP WHEN NOT USING SIDE PANELS

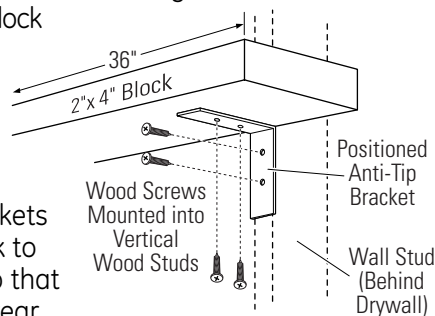
If you are using 1/4" side panels, they should be inserted into the case trim. Fasten the panels to the refrigerator with the 3M Dual Lock adhesive strips before setting refrigerator in place.

4 INSTALL ANTI-TIP BRACKETS

⚠ WARNING: ANTI-TIP PRECAUTIONS

The refrigerator is **Top-Heavy** and must be secured to prevent the possibility of tipping forward.

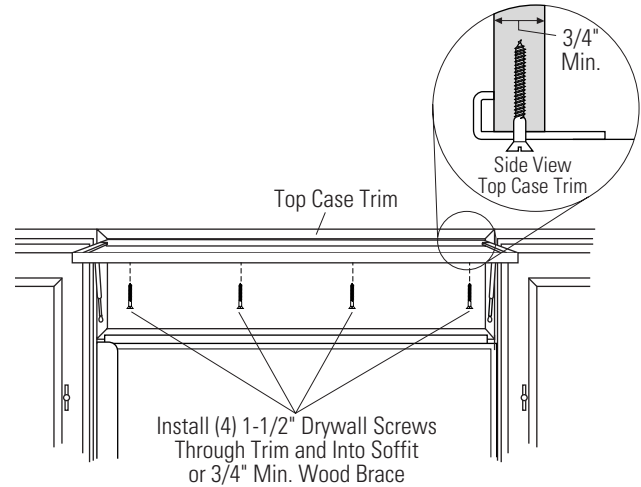
- Cut a 2" x 4" wood block 36" long, and secure the block to the mounting brackets provided, using #12 or #14 wood screws.
- Secure the brackets with wood block to the back wall so that it is 82" (or the rear installation height) from the finished floor. Use #12 or #14 wood screws.
- Screws must penetrate at least 1" into vertical wall studs.



4A ALTERNATE ANTI-TIP PRECAUTIONS

SKIP THIS STEP WHEN USING ANTI-TIP BRACKETS

All GE Profile™ built-in refrigerators are **Top-Heavy**. They must be secured to prevent the possibility of tipping forward. Use this alternative method to secure the refrigerator whenever steel wall studs are encountered.

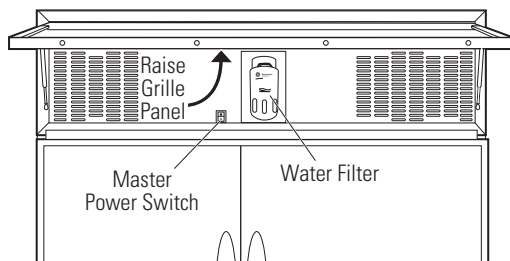


- Adjust height of refrigerator to match installation cutout opening 83-1/2" to 84-1/2". The refrigerator must be level and plumb with cabinets. The top case trim at the front is 2-1/8" higher than the rear and will overlap upper cabinets or cabinet trim.
- Open grille panel to access the top case trim.
- Use a 3/16" bit to drill 4 evenly spaced clearance holes through the metal top case trim.
- Use a 1/16" bit to drill pilot holes through the metal clearance holes and into wood soffit. The holes should be centered in the soffit or a 3/4" minimum wood brace. The brace spanning the enclosure must be securely fastened to cabinets on both sides.
- Install four 1-1/2" drywall screws into the pilot holes.

Installation Instructions

5 CONNECT POWER

- Connect refrigerator power cord plug to a properly grounded receptacle. Set the **Master Power** switch to the **I (ON)** position.



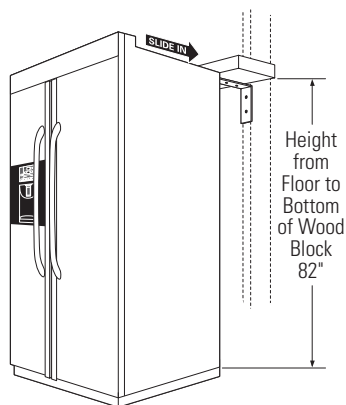
- Check to make sure power to refrigerator is on by opening refrigerator door to see if interior lights are on.

⚠ CAUTION:

- After power has been established, turn the **Master Power** switch to the **O (OFF)** position.

6 MOVE INTO INSTALLATION SPACE

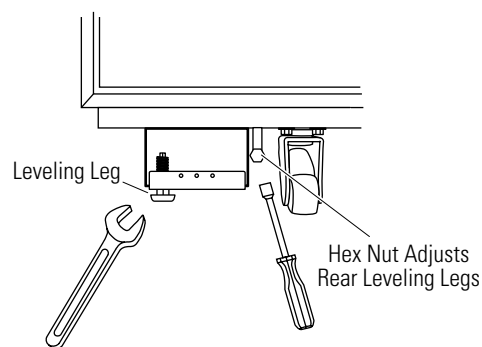
- Slide the unit into the installation space.
- Place excess slack in the power cord on top of the refrigerator.
- Use care to ensure the power cord is not pinched behind the unit.



7 LEVEL REFRIGERATOR

All models have 4-point leveling. The front and back are supported by leveling legs. Both are accessible from the front of the refrigerator.

- To level the back of the refrigerator, turn the 1/2" hex nut located above the front wheels. Turn clockwise to raise or counterclockwise to lower the refrigerator.
- For front leveling, use a 7/16" open-end wrench.
- Adjust height of refrigerator to match installation cutout opening 83-1/2" to 84-1/2". The refrigerator should be level and plumb with cabinets.



IMPORTANT NOTE: The refrigerator must be level. If it is not, the doors may not align evenly at the top. See Step 16.

⚠ CAUTION:

The rear leveling legs and front leveling legs are limited to a maximum height adjustment of 1". If the installation requires more than 84-1/2" height, the installer should elevate the refrigerator on a sheet of plywood or runners. Cabinet trim could be added across the top of the opening to shorten the opening. **If you attempt to raise the refrigerator more than 1", you will damage the front and rear leveling legs.**

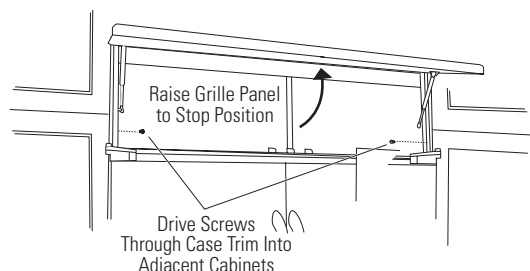
Installation Instructions

8 SECURE REFRIGERATOR TO CABINETS

Whenever possible, perform this step for anti-tip security.

The refrigerator must be secured to prevent tipping.

- Raise the grille panel to access case trim.
- Drive a screw through the trim and into the adjacent cabinet using holes provided.
- Follow the same procedure on the opposite side.

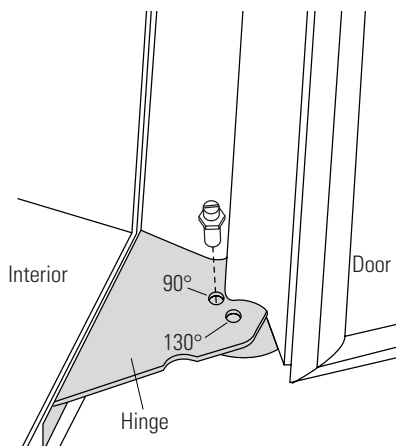


9 ADJUST DOOR SWING

NOTE: This refrigerator has a 2-position door stop. When space does not allow the door to swing open fully to 130°, you may change the door swing to a 90° opening.

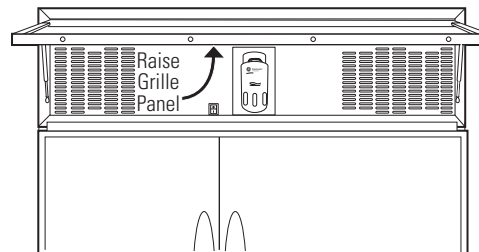
SKIP THIS STEP IF DOOR OPENING IS SATISFACTORY FOR YOUR INSTALLATION SITUATION.

- Open the door to view the bottom hinge. Note the door stop pin location. The pin is factory installed in the 130° position.
- Partially close the door. From above, use a flat-head screwdriver to unscrew the door stop pin and reinstall into the 90° position.

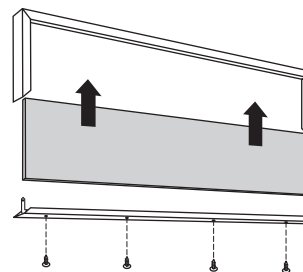


10 INSTALL GRILLE PANEL

- Raise the grille panel to the stop position.



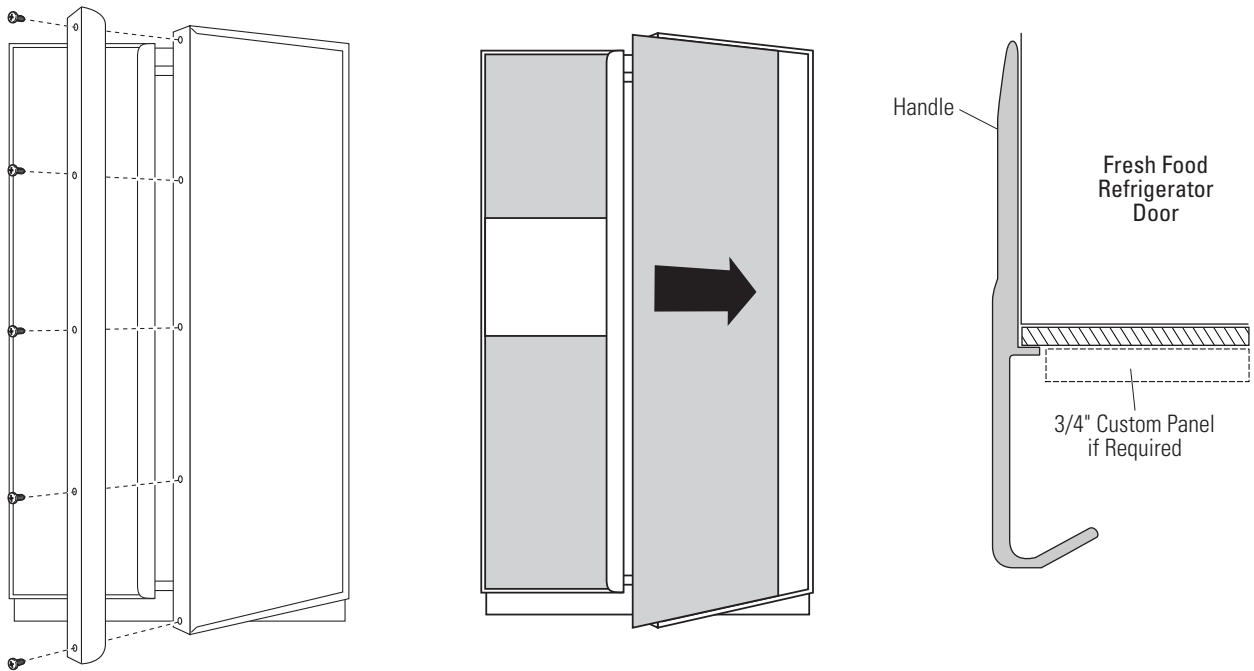
- Remove 4 screws on bottom trim; retain all screws.
- Remove bottom trim.
- **NOTE:** Stainless steel and acrylic panels are covered with a protective film. Remove the film before installing the panel.
- Slide panel over the metal backer panel and under the trim.



- If necessary, tap with a wood block until panel slips under the top trim piece.
- Reassemble bottom trim. Tighten screws.

Installation Instructions

11 INSTALL DOOR PANELS WITH PRE-INSTALLED HANDLES



Install 1/4" Decorative Panels:

• Remove Handles

Open door to 90°. Remove 5 Phillips head screws from the Fresh Food and Freezer door handles; retain all screws. Lift off door handles.

• Install Door Panels

NOTE: Carefully push the Fresh Food panel in until it slides into the slot behind the trim. Gently push to opposite side. Repeat procedure for upper and lower Freezer panels.

• Reinstall Handles

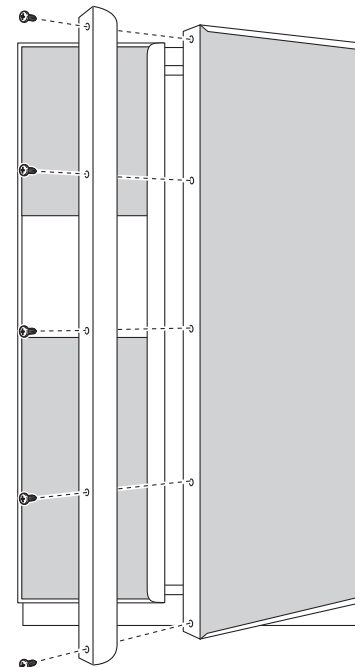
Reinstall Fresh Food door handle with the original 5 Phillips head screws. Tighten. Repeat for Freezer door handle.

NOTE: Ensure that the edge of the handle does not pinch the door gasket.

• 3/4" Custom Decorative Panels

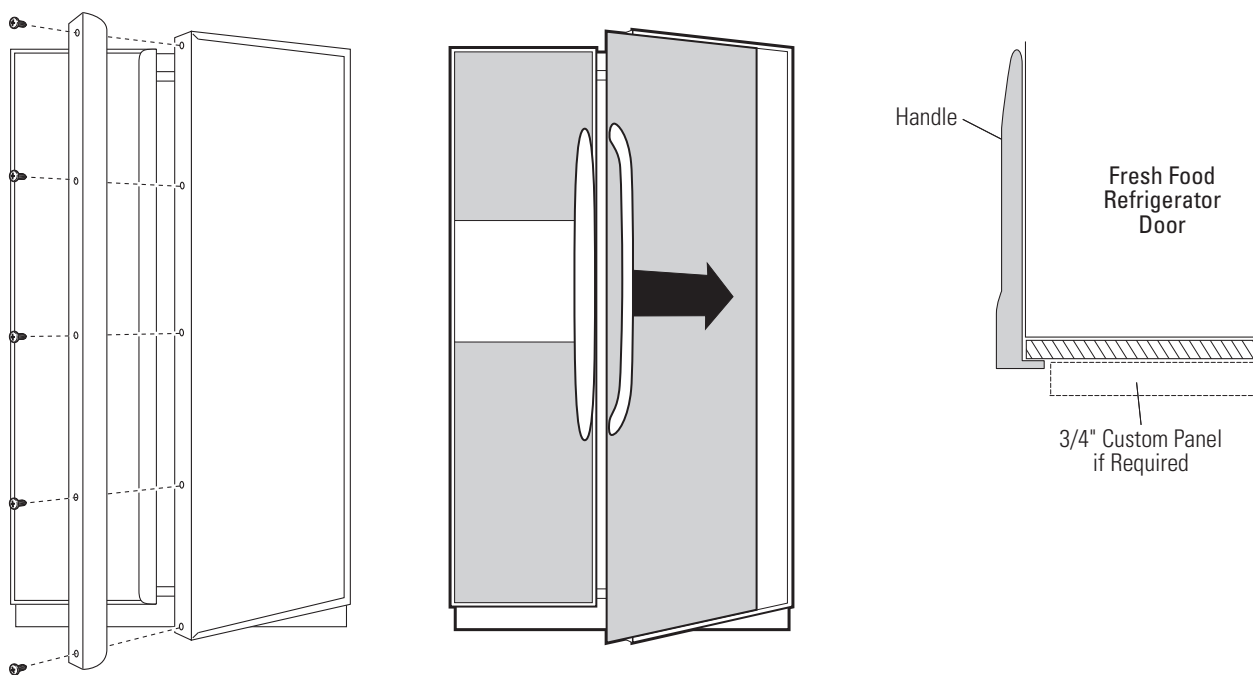
If you choose to install custom wood panels, they must be cut to dimensions shown on pages 23-30. The panels will slide into the frame on the doors and grille.

IMPORTANT NOTE: Maximum custom panel thickness must not exceed 1-1/8" thick and 70 lbs for the Fresh Food door, 45 lbs total for the Freezer door and 15 lbs for the Grille panel.



Installation Instructions

11A INSTALL DOOR PANELS



Install 1/4" Decorative Panels:

- **Remove Pre-Installed Handles**

Open door to 90°. Remove 5 Phillips head screws from the Fresh Food and Freezer door handles; retain all screws. Lift off pre-installed door handles.

- **Install Door Panels**

NOTE: Carefully push the Fresh Food panel in until it slides into the slot behind the trim. Gently push to opposite side. Repeat procedure for upper and lower Freezer panels.

- **Install Custom Trim**

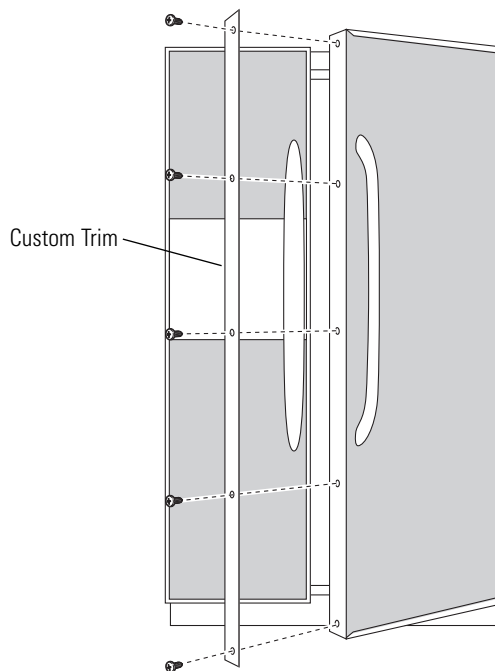
Install the custom trim with the original 5 Phillips head screws. Tighten. Repeat for Freezer door.

NOTE: Ensure that the edge of the custom trim does not pinch the door gasket.

- **3/4" Custom Decorative Panels**

If you choose to install custom wood panels, they must be cut to dimensions shown on pages 23–30. The panels will slide into the frame on the doors and grille. If using custom handles, please see *Door Handles* on page 20.

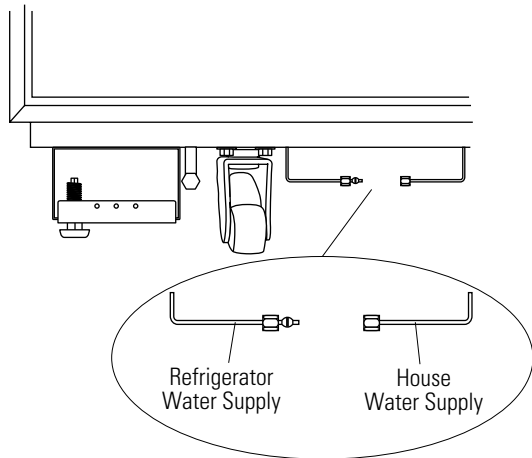
IMPORTANT NOTE: Maximum custom panel thickness must not exceed 1-1/8" thick and 70 lbs for the Fresh Food door, 45 lbs total for the Freezer door and 15 lbs for the Grille panel.



Installation Instructions

12 CONNECT WATER SUPPLY

Check to make sure that Master Power switch is in the O (OFF) position.



- Locate and bring GE SmartConnect™ tubing to the front of the cabinet.
- Turn the water on to flush debris from line. Run about a quart of water through tubing into a bucket, then shut off water.

Copper Tubing

- Slip a 1/4" nut and ferrule onto end of copper tubing. Insert tube into the union fitting on the unit and tighten nut to union.
- Turn on the water to check for leaks.

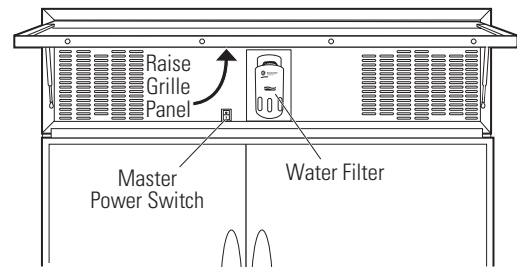
GE SmartConnect™ Tubing

- Insert the molded end of the tubing into the refrigerator connection. Tighten the compression nut until it is just hand tight.
- Tighten one additional turn with a wrench.
Overtightening can cause leaks.
- Turn on the water to check for leaks.

Note: Make sure excess tubing length does not interfere with toekick installation.

13 TURN ON THE POWER

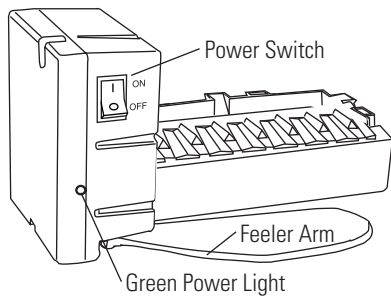
- Set the Master Power switch to the I (ON) position.
- Check to make sure power to refrigerator is on by opening refrigerator door to see if interior lights are on.



- The temperature controls are preset at 37°F for the Fresh Food section and 0°F for the Freezer section.
- Allow 24 hours to stabilize before making adjustments.

Installation Instructions

14 START ICEMAKER



- Flip the switch to **I (ON)**. The icemaker will begin operation automatically.
- Make sure nothing interferes with the sweep of the feeler arm.
- Discard the first full bucket of ice cubes.
- To turn the icemaker off, set the switch to **O (OFF)**.

15 INSTALL TOEKICK

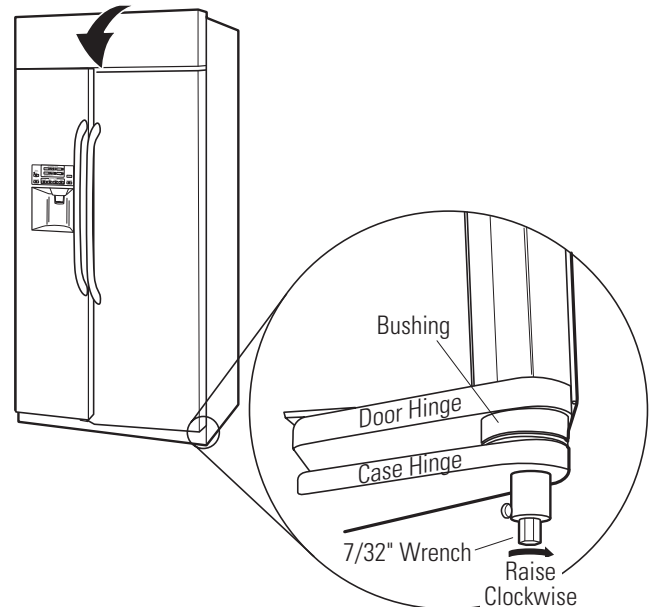
- Locate the supplied toekick (shipped taped to the top of the refrigerator). Install with 2 screws provided.



- The vented toekick must remain unobstructed for proper air flow.

16 DOOR ALIGNMENT

- Stand back from the refrigerator to inspect the door alignment.
- Shipping or the addition of heavy door panels may have caused the doors to move slightly out of alignment.



- If necessary, the Fresh Food door may be adjusted up or down to align with the Freezer door.
- Loosen the leveling mechanism.
- Use a 7/32" wrench to adjust the hinge pin as shown.
- Tighten the leveling mechanism.

IMPORTANT NOTE: After the unit has been leveled, if the fresh food door is higher than the freezer door, adjust the front right leveling leg lower to align the doors and, if required, raise the left leveling leg to level the unit side to side.



Newer refrigerators sound different from older refrigerators. Modern refrigerators have more features and use newer technology.

Do you hear what I hear? These sounds are normal.

HUMMM... WHOOSH...

- The new high efficiency compressor may run faster and longer than your old refrigerator and you may hear a high-pitched hum or pulsating sound while it is operating.
- You may hear a whooshing sound when the doors close. This is due to pressure equalizing within the refrigerator.



- You may hear the fans spinning at high speeds. This happens when the refrigerator is first plugged in, when the doors are opened frequently or when a large amount of food is added to the refrigerator or freezer compartments. The fans are helping to maintain the correct temperatures.
- If either door is open for over 3 minutes, you may hear the fans come on in order to cool the light bulbs.
- The fans change speeds in order to provide optimal cooling and energy savings.

CLICKS, POPS, CRACKS and CHIRPS

- You may hear cracking or popping sounds when the refrigerator is first plugged in. This happens as the refrigerator cools to the correct temperature.
- The compressor may cause a clicking or chirping sound when attempting to restart (this could take up to 5 minutes).
- The electronic control board may cause a clicking sound when relays activate to control refrigerator components.
- Expansion and contraction of cooling coils during and after defrost can cause a cracking or popping sound.
- After an icemaking cycle, you may hear the ice cubes dropping into the ice bucket.

WATER SOUNDS



- The flow of refrigerant through the freezer cooling coils may make a gurgling noise like boiling water.
- Water dropping on the defrost heater can cause a sizzling, popping or buzzing sound during the defrost cycle.
- A water dripping noise may occur during the defrost cycle as ice melts from the evaporator and flows into the drain pan.
- Closing the door may cause a gurgling sound due to pressure equalization.



For additional information on normal icemaker and dispenser operating sounds, see the **About the automatic icemaker** and **About the ice and water dispenser** sections.

Troubleshooting tips...



Troubleshooting Tips
Save time and money! Review the charts on the following pages first and you may not need to call for service.

Problem	Possible Causes	What To Do
Refrigerator does not operate	Refrigerator in defrost cycle.	• Wait about 30 minutes for defrost cycle to end.
	Master power control set to OFF .	• Set the control to an on setting.
	Refrigerator is unplugged.	• Push the plug completely into the outlet.
	The fuse is blown/circuit breaker is tripped.	• Replace fuse or reset the breaker.
	The refrigerator is in showroom mode.	• Unplug the refrigerator and plug it back in.
Vibration or rattling (slight vibration is normal)	Refrigerator is not level.	• See <i>Level refrigerator</i> . • See <i>Door alignment</i> .
Motor operates for long periods or cycles on and off frequently. (Modern refrigerators with more storage space and a larger freezer require more operating time. They start and stop often to maintain even temperatures.)	Normal when refrigerator is first plugged in.	• Wait 24 hours for the refrigerator to completely cool down.
	Often occurs when large amounts of food are placed in refrigerator.	• This is normal.
	Door left open.	• Check to see if package is holding door open.
	Hot weather or frequent door openings.	• This is normal.
	Temperature controls set at the coldest setting.	• See <i>About the temperature controls</i> .
Refrigerator or freezer compartment too warm	Temperature control not set cold enough.	• See <i>About the temperature controls</i> .
	Warm weather or frequent door openings.	• Set the temperature control one step colder. See <i>About the temperature controls</i> .
	Door left open.	• Check to see if package is holding door open.
Frost or ice crystals on frozen food (frost within package is normal)	Door left open.	• Check to see if package is holding door open.
	Too frequent or too long door openings.	
Divider between refrigerator and freezer compartments feels warm	Automatic energy saver system circulates warm liquid around front edge of freezer compartment.	• This helps prevent condensation on the outside.
Automatic icemaker does not work	Icemaker power switch is in the off position.	• Set the power switch to the on position.
	Water supply turned off or not connected.	• See <i>Install water line</i> .
	Freezer compartment too warm.	• Wait 24 hours for the refrigerator to completely cool down.
	Piled up cubes in the storage bin cause the icemaker to shut off.	• Level cubes by hand.
	Ice cubes stuck in icemaker. (Green power light on icemaker blinking).	• Turn off the icemaker, remove cubes and turn the icemaker back on.

Problem	Possible Causes	What To Do
<i>Frequent "buzzing" sound</i>	Icemaker power switch is in the I (on) position, but the water supply to the refrigerator has not been connected.	<ul style="list-style-type: none"> Set the power switch to the O (off) position. Keeping it in the I (on) position will damage the water valve.
<i>Ice cubes have odor/taste</i>	Ice storage bin needs cleaning.	<ul style="list-style-type: none"> Empty and wash bin. Discard old cubes.
	Food transmitting odor/taste to ice cubes.	<ul style="list-style-type: none"> Wrap foods well.
	Interior of refrigerator needs cleaning.	<ul style="list-style-type: none"> See <i>Care and cleaning</i>.
<i>Small or hollow cubes</i>	Water filter clogged.	<ul style="list-style-type: none"> Replace filter cartridge with new cartridge or with plug.
<i>Slow ice cube freezing</i>	Door left open.	<ul style="list-style-type: none"> Check to see if package is holding door open.
	Temperature control not set cold enough.	<ul style="list-style-type: none"> See <i>About the temperature controls</i>.
<i>Cube dispenser does not work</i>	Icemaker turned off or water supply turned off.	<ul style="list-style-type: none"> Turn on icemaker or water supply.
	An item is blocking or has fallen into the ice chute inside the top door bin of the freezer.	<ul style="list-style-type: none"> Remove any item that might be blocking, or has fallen into, the chute.
	Ice cubes are frozen to icemaker feeler arm.	<ul style="list-style-type: none"> Remove cubes.
	Irregular ice clumps in storage container.	<ul style="list-style-type: none"> Break up with fingertip pressure and discard remaining clumps. Freezer may be too warm. Adjust the freezer control to a colder setting, one position at a time, until clumps do not form.
	Dispenser is LOCKED .	<ul style="list-style-type: none"> Press and hold the LOCK/LIGHT button for 3 seconds.
<i>Water has poor taste/odor</i>	Water dispenser has not been used for a long time.	<ul style="list-style-type: none"> Dispense water until all water in system is replenished.
<i>Water in first glass is warm</i>	Normal when refrigerator is first installed.	<ul style="list-style-type: none"> Wait 24 hours for the refrigerator to completely cool down.
	Water dispenser has not been used for a long time.	<ul style="list-style-type: none"> Dispense water until all water in system is replenished.
	Water system has been drained.	<ul style="list-style-type: none"> Allow several hours for replenished supply to chill.
<i>Water dispenser does not work</i>	Water supply line turned off or not connected.	<ul style="list-style-type: none"> See <i>Install water line</i>.
	Water filter clogged.	<ul style="list-style-type: none"> Replace filter cartridge or remove filter and install plug.
	Air may be trapped in the water system.	<ul style="list-style-type: none"> Press the dispenser arm for at least two minutes.
	Dispenser is LOCKED .	<ul style="list-style-type: none"> Press and hold the LOCK/LIGHT button for 3 seconds.
<i>Water spurting from dispenser</i>	Newly-installed filter cartridge.	<ul style="list-style-type: none"> Run water from the dispenser for 3 minutes (about one and a half gallons).
	Refrigerator control setting is too cold.	<ul style="list-style-type: none"> Set to a warmer setting.
<i>Water is not dispensed but icemaker is working</i>	Water in reservoir is frozen.	<ul style="list-style-type: none"> Call for service.
	Refrigerator control setting is too cold.	<ul style="list-style-type: none"> Set to a warmer setting.
<i>No water or ice cube production</i>	Supply line or shutoff valve is clogged.	<ul style="list-style-type: none"> Call a plumber.
	Water filter clogged.	<ul style="list-style-type: none"> Replace filter cartridge or remove filter and install plug.
	Dispenser is LOCKED .	<ul style="list-style-type: none"> Press and hold the LOCK/LIGHT button for 3 seconds.
<i>CUBED was selected but CRUSHED was dispensed</i>	Last setting was CRUSHED .	<ul style="list-style-type: none"> A few cubes were left in the crusher from the previous setting. This is normal.

Troubleshooting tips...

Problem	Possible Causes	What To Do
<i>Orange glow in the freezer</i>	Defrost heater is on.	<ul style="list-style-type: none"> This is normal.
<i>Refrigerator has odor</i>	Foods transmitting odor to refrigerator.	<ul style="list-style-type: none"> Foods with strong odors should be tightly wrapped. Keep an open box of baking soda in the refrigerator; replace every three months.
	Interior needs cleaning.	<ul style="list-style-type: none"> See <i>Care and cleaning</i>.
<i>Door not closing properly</i>	Door gasket on hinge side sticking or folding over.	<ul style="list-style-type: none"> Apply paraffin wax to the face of the gasket.
	A door bin is hitting a shelf inside the refrigerator.	<ul style="list-style-type: none"> Move the door bin up one position.
	Refrigerator is not level.	<ul style="list-style-type: none"> See <i>Level refrigerator</i>. See <i>Door alignment</i>.
<i>Moisture forms on outside of refrigerator</i>	Not unusual during periods of high humidity.	<ul style="list-style-type: none"> Wipe surface dry.
<i>Moisture collects inside (in humid weather, air carries moisture into refrigerator when doors are opened)</i>	Too frequent or too long door openings.	
<i>Interior light does not work</i>	No power at outlet.	<ul style="list-style-type: none"> Replace fuse or reset the breaker.
	Light bulb burned out.	<ul style="list-style-type: none"> See <i>Replacing the light bulbs</i>.
<i>Water on kitchen floor or on bottom of freezer</i>	Cubes jammed in chute.	<ul style="list-style-type: none"> Poke ice through with a wooden spoon.
<i>Hot air from top of refrigerator</i>	Normal air flow cooling motor. In the refrigeration process, it is normal that heat be expelled in the area above the refrigerator.	
<i>Refrigerator never shuts off, but the temperatures are OK</i>	Adaptive defrost keeps compressor running during door openings.	<ul style="list-style-type: none"> This is normal. The refrigerator will cycle off after the door remains closed for 2 hours.
<i>Refrigerator beeping</i>	Door open.	<ul style="list-style-type: none"> Close door.
<i>Actual temperature not equal to Set temperature</i>	Unit just plugged in.	<ul style="list-style-type: none"> Allow 24 hours for system to stabilize.
	Door open for too long.	<ul style="list-style-type: none"> Allow 24 hours for system to stabilize.
	Warm food added to refrigerator.	<ul style="list-style-type: none"> Allow 24 hours for system to stabilize.
	Defrost cycle is in process.	<ul style="list-style-type: none"> Allow 24 hours for system to stabilize.

CUSTOMER WARRANTY

(for customers in Canada)

Your refrigerator is warranted to be free of defects in material and workmanship.

What is covered	How Long Warranted (From Date of Sale)	Parts Repair or Replace at Mabe's Option	Labour
Compressor	GE Profile™: Ten (10) Years GE and All Other Brands: One (1) Year	GE Profile: Ten (10) Years GE and All Other Brands: One (1) Year	GE Profile: Five (5) Years GE and All Other Brands: One (1) Year
Sealed System (including evaporator, condenser tubing and refrigerant)	GE Profile: Five (5) Years GE and All Other Brands: One (1) Year	GE Profile: Five (5) Years GE and All Other Brands: One (1) Year	GE Profile: Five (5) Years GE and All Other Brands: One (1) Year
All Other Parts	One (1) Year	One (1) Year	One (1) Year

TERMS AND CONDITIONS:

This warranty applies only for single family domestic use in Canada when the Refrigerator has been properly installed according to the instructions supplied by Mabe and is connected to an adequate and proper utility service.

Damage due to abuse, accident, commercial use, and alteration or defacing of the serial plate cancels all obligations of this warranty.

Service during this warranty period must be performed by an Authorized Mabe Service Agent.

Neither Mabe nor the Dealer is liable for any claims or damages resulting from failure of the Refrigerator or from service delays beyond their reasonable control.

To obtain warranty service, purchaser must present the original Bill of Sale. Components repaired or replaced are warranted through the remainder of the original warranty period only.

This warranty is extended to the original purchaser and any succeeding owner for products purchased for home use within Canada. In home warranty service will be provided in areas where it is available and deemed reasonable by Mabe to provide.

This warranty is in addition to any statutory warranty.

WHAT IS NOT COVERED:

- Owner is responsible to pay for service calls related to product installation and/or teaching how to use the product.
- Damage to finish must be reported within 48 hours following the delivery of the appliance.
- Damage to finish after delivery.
- Improper installation—proper installation includes adequate air circulation to the refrigeration system, adequate electrical, plumbing and other connecting facilities.
- Replacement of house fuses or resetting of circuit breakers.
- Replacement of light bulbs.
- Damage to product caused by accident, fire, floods or acts of God.
- Loss of food due to spoilage.
- Proper use and care of product as listed in the owner's manual, proper setting of controls.
- Product not accessible to provide required service.
- **WARRANTOR IS NOT RESPONSIBLE FOR CONSEQUENTIAL DAMAGES.**

EXCLUSION OF IMPLIED WARRANTIES—Your sole and exclusive remedy is product repair as provided in this Limited Warranty. Any implied warranties, including the implied warranties of merchantability or fitness for a particular purpose, are limited to one year or the shortest period allowed by law.

IMPORTANT

Keep this warranty and your bill of sale as proof of original purchase and purchase date. Please have serial number and model number available when calling for service.

Mabe Service is available coast to coast. If further help is needed concerning this warranty, contact:

Manager, Consumer Relations
Mabe Canada Inc., Consumer Service
1 Factory Lane, Suite 310
Moncton, New Brunswick E1C 9M3
1.800.561.3344

*Staple your receipt here.
Proof of the original purchase
date is needed to obtain service
under the warranty.*

Refrigerator Warranty. *(For customers in the United States)*



All warranty service provided by our Factory Service Centers, or an authorized Customer Care® technician. To schedule service, on-line, visit us at ge.com, or call 800.GE.CARES (800.432.2737). Please have serial number and model number available when calling for service.

Staple your receipt here. Proof of the original purchase date is needed to obtain service under the warranty.

For The Period Of: GE Will Replace:

GE and GE PROFILE™ MODELS:

One Year

From the date of the original purchase

Any part of the refrigerator which fails due to a defect in materials or workmanship.

During this **limited one-year warranty**, GE will also provide, **free of charge**, all labor and related service to replace the defective part.

Thirty Days

(Water filter, if included)
From the original purchase date of the refrigerator

Any part of the water filter cartridge which fails due to a defect in materials or workmanship.

During this **limited thirty-day warranty**, GE will also provide, **free of charge**, a replacement water filter cartridge.

GE PROFILE MODELS ONLY:

Five Years

(GE Profile models only)
From the date of the original purchase

Any part of the sealed refrigerating system (the compressor, condenser, evaporator and all connecting tubing) which fails due to a defect in materials or workmanship.

During this **limited five-year sealed refrigerating system warranty**, GE will also provide, **free of charge**, all labor and related service to replace the defective part in the sealed refrigerating system.

What GE Will Not Cover:

- Service trips to your home to teach you how to use the product.
- Improper installation, delivery or maintenance.
- Failure of the product if it is abused, misused, or used for other than the intended purpose or used commercially.
- Loss of food due to spoilage.
- Replacement of house fuses or resetting of circuit breakers.
- Damage caused after delivery.
- Replacement of the water filter cartridge, if included, due to water pressure that is outside the specified operating range or due to excessive sediment in the water supply.
- Replacement of the light bulbs, if included, or water filter cartridge, if included, other than as noted above.
- Damage to the product caused by accident, fire, floods or acts of God.
- Incidental or consequential damage caused by possible defects with this appliance.
- Product not accessible to provide required service.

EXCLUSION OF IMPLIED WARRANTIES—Your sole and exclusive remedy is product repair as provided in this Limited Warranty. Any implied warranties, including the implied warranties of merchantability or fitness for a particular purpose, are limited to one year or the shortest period allowed by law.

This warranty is extended to the original purchaser and any succeeding owner for products purchased for home use within the USA. If the product is located in an area where service by a GE Authorized Servicer is not available, you may be responsible for a trip charge or you may be required to bring the product to an Authorized GE Service location for service. In Alaska, the warranty excludes the cost of shipping or service calls to your home.

Some states do not allow the exclusion or limitation of incidental or consequential damages. This warranty gives you specific legal rights, and you may also have other rights which vary from state to state. To know what your legal rights are, consult your local or state consumer affairs office or your state's Attorney General.

Warrantor: General Electric Company, Louisville, KY 40225

Performance Data Sheet
SmartWater Filtration System
GWF / HWF Cartridge

This system has been tested according to NSF/ANSI 42/53 for reduction of the substances listed below. The concentration of the indicated substances in water entering the system was reduced to a concentration less than or equal to the permissible limit for water leaving the system, as specified in NSF/ANSI 42/53.*
 (100% safety factors built in for unmetered usage)

Standard No. 42: Aesthetic Effects							
Parameter	USEPA MCL	Influent Challenge Concentration	Effluent		% Reduction		Min. Required Reduction
			Average	Maximum	Average	Minimum	
Chlorine	—	2.0 mg/L ± 10%	0.02 ppm	0.05 ppm	98.90%	97.37%	≥ 50%
T & O	—	—	—	—	—	—	—
Particulate**	—	at least 10,000 particles/mL	3,978	7,800	98.00%	96.10%	≥ 85%

Standard No. 53: Health Effects							
Parameter	USEPA MCL	Influent Challenge Concentration	Effluent		% Reduction		Min. Required Reduction
			Average	Maximum	Average	Minimum	
Turbidity	1 NTU***	11 ± 1 NTU***	0.07 NTU	0.1 NTU	99.71%	99.59%	0.5 NTU
Cysts	99.95% Reduction	Minimum 50,000 L	26	55	99.97%	99.95%	> 99.95%
Lead at pH 6.5	15 ppb	0.15 mg/L ± 10%	1 ppb	1 ppb	99.37%	99.37%	0.010 mg/L
Lead at pH 8.5	15 ppb	0.15 mg/L ± 10%	1.8 ppb	4.3 ppb	98.8%	97.13%	0.010 mg/L
Lindane	0.0002 ppm	0.002 mg/L ± 10%	0.00005 ppm	0.00005 ppm	91.93%	91.93%	0.0002 mg/L
Atrazine	0.003 ppm	0.009 mg/L ± 10%	0.002 ppm	0.003 ppm	76.19%	64.28%	0.003 mg/L
2,4-D	0.100 ppm	0.210 mg/L ± 10%	0.042 ppm	0.090 ppm	84.89%	67.63%	0.07 mg/L
Asbestos	99%	10 ⁷ to 10 ⁸ fibers/L; fibers greater than 10 micrometers in length	0.32 MFL/ml	1.2 MFL/ml	99.95%	99.82%	99%

* Tested using a flow rate of 0.5 gpm; pressure of 60 psig; pH of 7.5 ± 0.5; temp. of 20° ± 2.5°C

** Measurement in Particles/ml. Particles used were 0.5-1 microns

*** NTU=Nephelometric Turbidity units

Operating Specifications

- Capacity: certified for up to 500 gallons (1135 l); up to twelve months for all models
- Pressure requirement: 40–120 psi (2.8–8.2 bar), non-shock
- Temperature: 33–100°F (0.6–38°C)
- Flow rate: 0.5 gpm (1.9 lpm)

General Installation/Operation/Maintenance Requirements

- Flush new cartridge at full flow for 3 minutes to purge out trapped air.
- Replace cartridge when flow becomes too slow.

Special Notices

- Installation instructions, parts and service availability, and standard warranty are included with the product when shipped.
- This drinking water system must be maintained according to manufacturer’s instructions, including replacement of filter cartridges.
- Do not use with water that is microbiologically unsafe or of unknown quality without adequate disinfection before or after the system. Systems certified for cyst reduction may be used on disinfected water that may contain filterable cysts.
- The contaminants or other substances removed or reduced by this water treatment system are not necessarily in your water.
- Check for compliance with the state and local laws and regulations.
- Note that while the testing was performed under standard laboratory conditions, actual performance may vary. Systems must be installed and operated in accordance with manufacturer’s recommended procedures and guidelines.

System Tested and Certified by NSF International against ANSI/NSF Standard 42 & 53 for the reduction of:	
Standard No. 42: Aesthetic Effects	Standard No. 53: Health Effects
Chemical Unit	Chemical Reduction Unit
Taste and Odor Reduction	Lead and Atrazine Reduction
Chlorine Reduction	Lindane and 2,4-D Reduction
Mechanical Filtration Unit	Mechanical Filtration Unit
Particulate Reduction, Class I	Turbidity Reduction
	Cyst and Asbestos Reduction



Manufactured for: General Electric Company, Louisville, KY 40225

State of California
Department of Health Services

Water Treatment Device
Certificate Number

00 - 1434

Date Issued: May 30, 2000
Date Revised: February 9, 2001

Trademark/Model Designation

Replacement Elements

GE Smart Water Filtration Systems - GWF06

GWF06

GE Smart Water Filtration Systems - GWF

GWF

Hotpoint Refrigerator Systems - HWF

HWF

Manufacturer: General Electric Appliances

The water treatment device(s) listed on this certificate have met the testing requirements pursuant to Section 116830 of the Health and Safety Code for the following health related contaminants:

Microbiological Contaminants and Turbidity

Cysts (protozoan)
Turbidity

Inorganic/Radiological Contaminants

Asbestos
Lead

Organic Contaminants

Atrazine
Lindane
2,4-D

Rated Service Capacity: 300 gallons*

Rated Service Flow: 0.5 gpm

Do not use where water is microbiologically unsafe or with water of unknown quality, except that systems claiming cyst reduction may be used on water containing cysts.

*** 500 gallons for models that include a replacement filter indicator light.**

For Purchases Made In Iowa: This form must be signed and dated by the buyer and seller prior to the consummation of this sale. This form should be retained on file by the seller for a minimum of two years.

BUYER:

Name

Address

City State Zip

Signature Date

SELLER:

Name

Address

City State Zip

Signature Date

GE Service Protection Plus™

GE, a name recognized worldwide for quality and dependability together with Assurant Solutions, offers you Service Protection Plus™—comprehensive protection on your appliances.*

Benefits Include:

- Prompt, reliable service from GE Authorized Servicers
- Convenient hours designed to suit your busy schedule
- Quality replacement parts
- The dependability of GE, a name recognized and trusted worldwide
- Ask about our interest-free payment plans

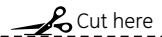
With Service Protection Plus you can expect:

- An extended service plan that limits unexpected repair bills
- Service coverage for most major brands
- Unlimited service calls for the length of your contract, or credit toward a replacement product
- Service coverage for covered operating parts and labor on appliances and home electronics that fail during normal single family household use
- Your satisfaction is our goal. We strive to provide you with excellent service in a professional and timely manner.

Place your confidence in GE and call us in the U.S. toll-free at **1.800.626.2224** for more information.

*Most brands covered up to 15 years old in the continental U.S.

SPP is a trademark of General Electric Company.



Please place in envelope and mail to:

General Electric Company
Warranty Registration Department
P.O. Box 32150
Louisville, KY 40232-2150

Consumer Product Ownership Registration

Dear Customer:

Thank you for purchasing our product and thank you for placing your confidence in us.

We are proud to have you as a customer!

Follow these three steps to protect your new appliance investment:

1

Complete and mail your Consumer Product Ownership Registration today.

Have the peace of mind of knowing we can contact you in the unlikely event of a safety modification.

2

After mailing the registration below, store this document in a safe place. It contains information you will need should you require service. Our service number is 800.GE.CARES (800.432.2737).

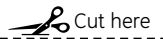
3

Read your Owner's Manual carefully. It will help you operate your new appliance properly.

Model Number

Serial Number

Important: If you did not get a registration card with your product, detach and return the form below to ensure that your product is registered, or register online at ge.com.



Consumer Product Ownership Registration



Model Number

Serial Number

Mr. Ms. Mrs. Miss

First Name

Last Name

Street Address

Apt. #

E-mail Address*

City

State

Zip Code

Date Placed In Use
Month

Day

Year

Phone Number --



GE Consumer & Industrial Appliances
General Electric Company
Louisville, KY 40225
ge.com

* Please provide your e-mail address to receive, via e-mail, discounts, special offers and other important communications from GE Appliances (GEA).

Check here if you do not want to receive communications from GEA's carefully selected partners.

FAILURE TO COMPLETE AND RETURN THIS CARD DOES NOT DIMINISH YOUR WARRANTY RIGHTS.

For information about GEA's privacy and data usage policy, go to ge.com and click on "Privacy Policy" or call 800.626.2224.

Mesures de sécurité52, 53

Fonctionnement

Clayettes et bacs56
ClimateKeeper™ avec
évaporateurs double flux55
Entretien et nettoyage
du réfrigérateur61, 62
Le distributeur d'eau et de glaçons59, 60
Le filtre à eau55
Les commandes de température54
Les portes du réfrigérateur57
Les tiroirs et les paniers58
Machine à glaçons automatique59
Remplacement des ampoules63

Instructions d'installation64–89

Alimentation d'eau88
Conduite d'eau82, 83
Dimensions des panneaux70–79
Dimensions et espaces libres66
Espace pour l'installation66
Mise à niveau84
Panneaux des portes et de la grille85–87
Pattes anti-basculement83

Conseils de dépannage91–94

Bruits normaux de fonctionnement90

Soutien au consommateur

Feuillet de données relatives à la
performance de la cartouche GWF96
Garantie pour la clientèle au Canada95
Soutien au consommateur99

Transcrivez les numéros de modèle et de série ici :

de modèle _____

de série _____

Ils figurent sur l'étiquette qui se trouve à l'intérieur
du compartiment réfrigérateur en haute à droite.

Mesures de sécurité

Fonctionnement

Installation

Conseils de dépannage

Soutien au
consommateur

MESURES DE SÉCURITÉ IMPORTANTES. LISEZ D'ABORD TOUTES LES DIRECTIVES.

⚠ AVERTISSEMENT!

N'utilisez cet électroménager que pour l'usage auquel il est destiné, comme expliqué dans le présent manuel.



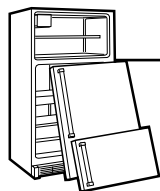
MESURES DE SÉCURITÉ

Lorsque vous utilisez un appareil électrique, observez toujours les mesures de sécurité de base, y compris les suivantes.

- Installez le réfrigérateur conformément aux directives d'installation avant de l'utiliser.
 - Ne laissez pas les enfants grimper, s'asseoir, se tenir debout ni se pendre aux clayettes du réfrigérateur. Ils pourraient endommager le réfrigérateur et se blesser gravement.
 - Ne touchez pas les surfaces froides du congélateur si vous avez les mains humides ou mouillées : la peau risque d'adhérer à ces surfaces très froides.
 - N'entreposez et n'utilisez pas d'essence ou autres vapeurs et liquides inflammables à proximité de cet appareil ou de tout autre appareil électroménager.
 - Si votre réfrigérateur est doté d'une machine à glaçons automatique, évitez le contact avec les pièces mobiles du mécanisme éjecteur, ou avec l'élément chauffant situé à la partie inférieure de la machine à glaçons. Ne posez pas les doigts ou les mains sur le mécanisme de la machine à glaçons pendant que le réfrigérateur est branché.
 - Éloignez les doigts des parties du réfrigérateur où l'on peut facilement se pincer : les espaces entre les portes et entre les portes et les placards sont toujours étroits. Soyez prudent lorsque vous fermez les portes de l'appareil en présence des enfants.
 - Mettez l'interrupteur général d'alimentation en position **O (arrêt)** avant de nettoyer ou de réparer votre réfrigérateur.
- NOTE :** Nous vous recommandons vivement de confier toute réparation à un technicien qualifié.
- Ne recongelez pas les aliments surgelés qui ont complètement dégelé.

⚠ DANGER! RISQUES POUR LES ENFANTS

COMMENT VOUS DÉBARRASSER CONVENABLEMENT DE VOTRE ANCIEN RÉFRIGÉRATEUR



Les enfants pris au piège ou morts d'asphyxie sont toujours d'actualité. Les réfrigérateurs abandonnés sont toujours aussi dangereux, même si on n'attend que «quelques jours» pour s'en débarrasser. Si vous ne gardez pas votre ancien réfrigérateur, veuillez suivre les directives ci-dessous afin de prévenir les accidents.

Avant de vous débarrasser de votre ancien réfrigérateur ou congélateur :

- Démontez les portes.
- Laissez les clayettes en place afin d'empêcher les enfants de grimper à l'intérieur.

Réfrigérants

Tous les appareils de réfrigération contiennent des réfrigérants qui, conformément aux lois fédérales, doivent être enlevés avant toute élimination de l'appareil. Si vous vous débarrassez de vieux appareils de réfrigération, vérifiez, auprès de la société qui s'occupe de leur élimination, ce que vous devez faire.

⚠ AVERTISSEMENT!



RACCORDEMENT ÉLECTRIQUE

Ne coupez ni retirez en aucun cas la troisième broche (mise à la terre) de la fiche du cordon d'alimentation. Pour votre sécurité, cet appareil doit être correctement mis à la terre.

Le cordon d'alimentation de cet appareil est muni d'une fiche à 3 broches (mise à la terre) qui se branche dans une prise murale ordinaire à 3 alvéoles (mise à la terre) pour réduire au minimum les risques de chocs électriques.

Faites examiner la prise de courant et le circuit par un électricien qualifié pour vous assurer que la prise est correctement mise à la terre.

Si la prise murale est du type standard à 2 alvéoles, il vous incombe de la faire remplacer par une prise à 3 alvéoles correctement mise à la terre.

Le réfrigérateur doit toujours être branché dans sa propre prise de courant, dont la tension nominale est identique à celle indiquée sur la plaque signalétique.

Cette précaution est recommandée pour garantir un rendement optimum et éviter une surcharge des circuits électriques de la résidence, ce qui pourrait créer un risque d'incendie par surchauffe des fils.

Ne débranchez jamais le réfrigérateur en tirant sur le cordon d'alimentation. Saisissez fermement la fiche du cordon et tirez droit pour la retirer de la prise.

Réparez ou remplacez immédiatement tout cordon effiloché ou endommagé. N'utilisez pas un cordon fendillé ou présentant des signes d'usure.

Lorsque vous déplacez votre réfrigérateur, faites attention de ne pas le faire rouler sur le cordon d'alimentation afin de ne pas l'endommager.

N'UTILISEZ PAS DE FICHE D'ADAPTATION OU DE RALLONGE ÉLECTRIQUE

(Fiches d'adaptation non permises au Canada)



N'utilisez jamais de fiche d'adaptation pour brancher votre réfrigérateur à une prise murale du type standard à 2 alvéoles.

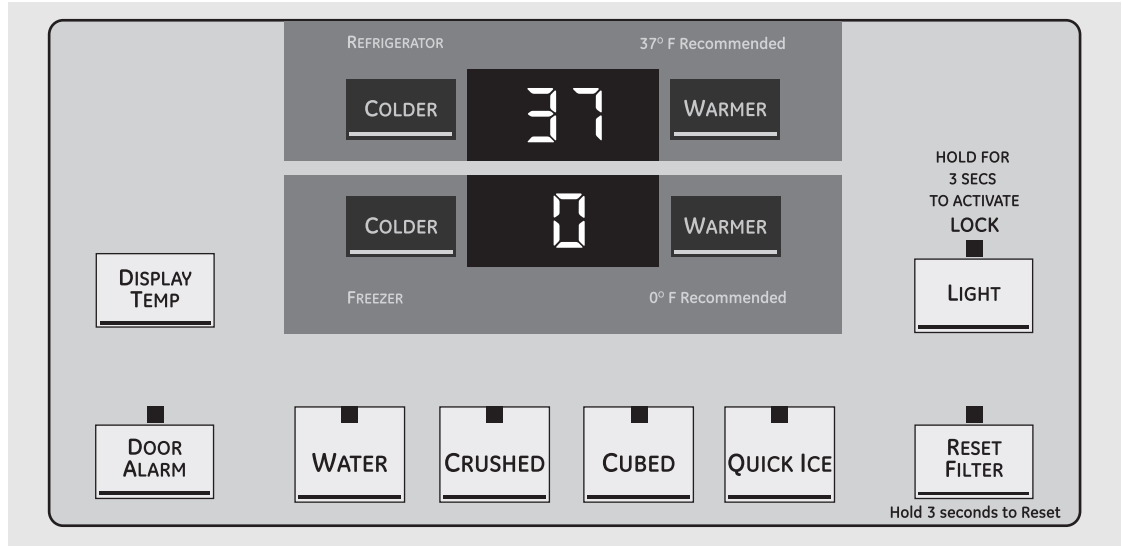
N'utilisez jamais de rallonge électrique pour cet appareil électroménager.

VEUILLEZ LIRE ET SUIVRE ATTENTIVEMENT CES MESURES DE SÉCURITÉ.



CONSERVEZ CES DIRECTIVES

Les commandes de température.



La température est pré-réglée à l'usine au numéro **37° F** pour le compartiment réfrigérateur et **0° F** pour le compartiment congélateur. Attendez 24 heures que la température se stabilise aux températures recommandées pré-réglées.

Le réglage de température peut indiquer la température **SET** (réglée) ainsi que la température réelle dans le compartiment réfrigération et dans le compartiment congélation. **La température SET (réglée) peut varier légèrement de la température réelle, selon l'utilisation et les conditions de fonctionnement.**

NOTE : Le réfrigérateur est expédié avec une pellicule de protection couvrant les commandes de température. Si cette pellicule n'a pas été retirée au cours de l'installation faites-le maintenant.

Pour changer la température, appuyez et relâchez le bouton **WARMER** ou **COLDER** (Plus chaud ou Plus froid). **SET** (réglée) s'allumera sur le cadran d'affichage, ainsi que la température choisie. Pour changer la température, appuyez brièvement sur le bouton **WARMER** ou **COLDER** (pendant que **SET** est allumé) jusqu'à ce que la température désirée apparaisse. La température du réfrigérateur peut être ajustée entre 34 et 47° F celle du congélateur entre -6 et +8° F.

Quand vous aurez réglé la température choisie, l'affichage de température disparaîtra après 10 secondes.

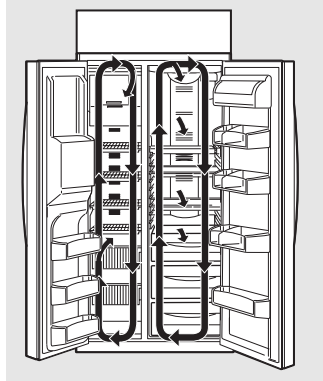
Pour afficher la température, vous devez taper sur le bouton **DISPLAY TEMP** (affichage de la température).

Plusieurs ajustements peuvent être nécessaires. Chaque fois que vous ajustez les commandes, laissez passer 24 heures pour que le réfrigérateur atteigne la température que vous avez sélectionnée.

Système de circulation d'air

Ce système est conçu pour maximiser le rendement dans les compartiments du réfrigérateur et du congélateur. Ce concept unique consiste en une canalisation d'air fixée au long des parois arrière

du réfrigérateur et du congélateur. Le rangement d'aliments en avant des persiennes de ces compartiments n'affecte pas le rendement de l'appareil.



Comment il fonctionne

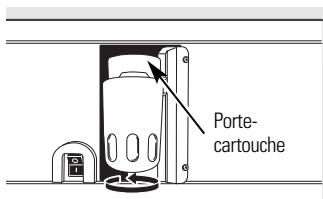
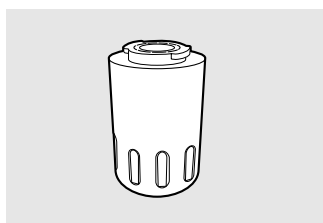
Le système **ClimateKeeper avec évaporateurs double flux** a deux évaporateurs, le premier pour le compartiment réfrigération et le second pour le compartiment congélation.

Cela fournit deux systèmes de refroidissement distincts, et sépare la circulation d'air entre les compartiments d'aliments frais et de congélateur pendant les opérations normales de refroidissement.

Le système séparé d'aération réduit le mélange d'air entre les deux compartiments, ce qui réduit les transferts d'odeurs d'aliments frais, et améliore le goût de la glace.

Le système **ClimateKeeper** réduit également le nombre de cycles de dégivrage dans l'évaporateur du compartiment congélation, ce qui permet de réduire les brûlures de congélateur.

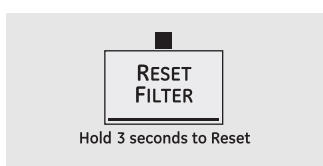
Le filtre à eau.



Insérez le dessus de la cartouche dans le porte-cartouche et tournez-la lentement dans le sens des aiguilles d'une montre.



Bouchon de dérivation du filtre



Hold 3 seconds to Reset

Cartouche du filtre à eau

La cartouche du filtre à eau est située dans le compartiment de la grille du haut. Faites basculer vers le haut la grille du haut pour avoir accès au filtre à eau.

Remplacement du filtre

Une lumière indique la nécessité de remplacer la cartouche du filtre à eau sur le distributeur. Cette lumière devient orange pour vous avertir de remplacer bientôt le filtre.

Vous devez remplacer la cartouche de filtre quand la lumière de l'indicateur devient rouge ou quand le débit de l'eau qui va au distributeur d'eau ou au distributeur de glace diminue.

Installation de la cartouche du filtre à eau

La cartouche du filtre est conçue pour filtrer 500 gallons d'eau (soit un usage approximatif de 12 mois).

- 1 S'il s'agit d'une cartouche de remplacement, enlevez d'abord l'ancienne en la tournant lentement dans le sens opposé à celui des aiguilles d'une montre. **Ne tirez pas** sur la cartouche. Un peu d'eau peut s'écouler.
- 2 Remplissez la cartouche de remplacement d'eau du robinet immédiatement après l'installation afin de permettre un meilleur débit du distributeur.
- 3 Alignez la flèche sur la cartouche et le support de cartouche. Placez le haut de la nouvelle cartouche à l'intérieur du support. **Ne l'enfonchez pas** dans le porte-cartouche.

Tournez la cartouche lentement dans le sens des aiguilles d'une montre

jusqu'au point où la cartouche s'arrête.

NE SERREZ PAS TROP FORT. Lorsque vous la tournez, elle se lèvera en position automatiquement. La cartouche fera approximativement une 1/4 rotation.

- 4 Faites couler l'eau du distributeur pendant 3 minutes (environ 6 litres) afin de dégager le système et empêcher le bledouillement.
- 5 Pressez et maintenez appuyée le bouton **RESET FILTER** (re-réglage du filtre) sur le distributeur pendant 3 secondes.

NOTE : Une cartouche de remplacement qui vient d'être installée **peut faire jaillir** l'eau du distributeur.

Bouchon de dérivation du filtre

Il faut utiliser le bouchon de dérivation du filtre lorsqu'une cartouche de remplacement n'est pas disponible. Le bouchon de dérivation est fixé par du ruban adhésif au bac de la porte dans votre nouveau réfrigérateur.

NOTE : Le distributeur et la machine à glaçons ne peuvent pas fonctionner sans le filtre ou sans le bouchon de dérivation du filtre.

Filtres de remplacement :

Pour commander des cartouches supplémentaires aux États-Unis, visitez notre site Web à l'adresse ge.com, ou appelez le Service des pièces et accessoires GE au 800.626.2002.

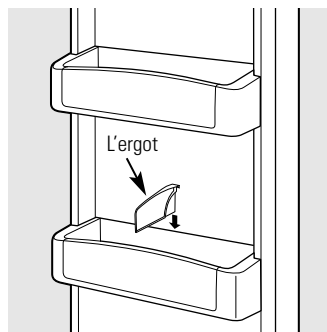
MWF

Prix suggéré pour la vente au détail
\$34.95 USD

Les clients au Canada devraient consulter les pages jaunes pour connaître la succursale Mabe la plus près.

Clayettes et bacs.

Toutes les caractéristiques ne sont pas disponibles sur tous les modèles.



Bacs de porte de réfrigérateur

Bacs de porte de réfrigérateur et bacs de porte de congélateur

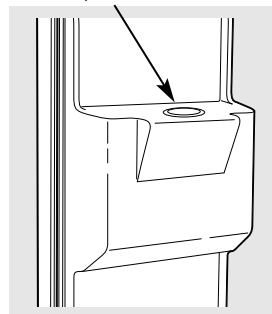
Vous pouvez ajuster tous les bacs de porte, sauf le bac de porte profond d'un gallon et les bacs du compartiment congélation, et vous pouvez les bouger vers le haut et vers le bas, pour remplir vos besoins de rangement. Vous pouvez enlever, pour les nettoyer, le bac de porte profond d'un gallon et le bac du compartiment congélation.

Pour enlever un bac : Soulevez le bac vers le haut et tirez-le vers vous.

Remise en place ou relocalisation : Engagez l'arrière du bac dans les soutiens moulés sur la porte. Puis poussez vers le bas l'avant du bac. Le bac se fixe en place.

L'ergot aide à empêcher que de petits articles placés sur la clayette de la porte se renversent, coulent ou glissent. Mettez un doigt de chaque côté de l'ergot près de l'arrière et faites bouger la clayette vers l'avant ou vers l'arrière selon vos besoins.

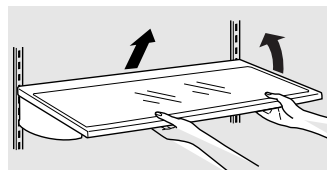
Ne pas obstruer



Bac supérieur de porte de congélateur

MISE EN GARDE :

Assurez-vous qu'aucun objet ne bloque ou tombe dans la chute à glaçons.



Clayettes anti-déversements et clayettes de congélateur

Ses bords spéciaux sont conçus pour empêcher tout déversement aux clayettes inférieures.

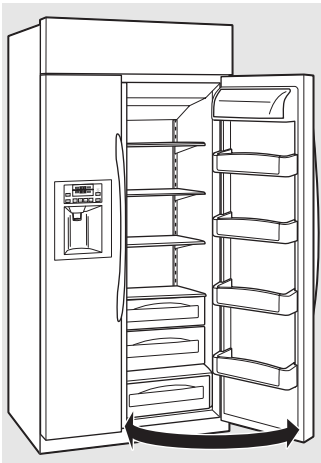
Enlèvement des clayettes :

Faites basculer la clayette vers le haut à l'avant, puis soulevez-la et faites-la sortir des rails situés sur la paroi arrière du réfrigérateur.

Remise en place des clayettes :

Choisissez la hauteur de clayette désirée. Avec l'avant de la clayette soulevé légèrement, engagez les ergots du haut dans les rails à l'arrière de l'armoire. Ensuite, abaissez l'avant de la clayette jusqu'à ce qu'elle se fixe en place.

Prenez soin de pousser la clayette jusqu'au fond pour refermer la porte.



Portes du réfrigérateur

Les portes de votre réfrigérateur ne sont pas tout à fait comme celles dont vous avez l'habitude. Un système sûr d'ouverture/fermeture assure que les portes ferment complètement et hermétiquement.

Lorsque vous ouvrez et fermez les portes, vous remarquerez qu'elles sont munies d'une position **d'arrêt**. Lorsque la porte est en position d'arrêt de 90°, elle se ferme automatiquement.

L'impression de résistance que vous ressentez à la position **d'arrêt** diminue lorsque des aliments sont rangés dans la porte.

Lorsque la porte est ouverte de 90°, elle se ferme automatiquement.

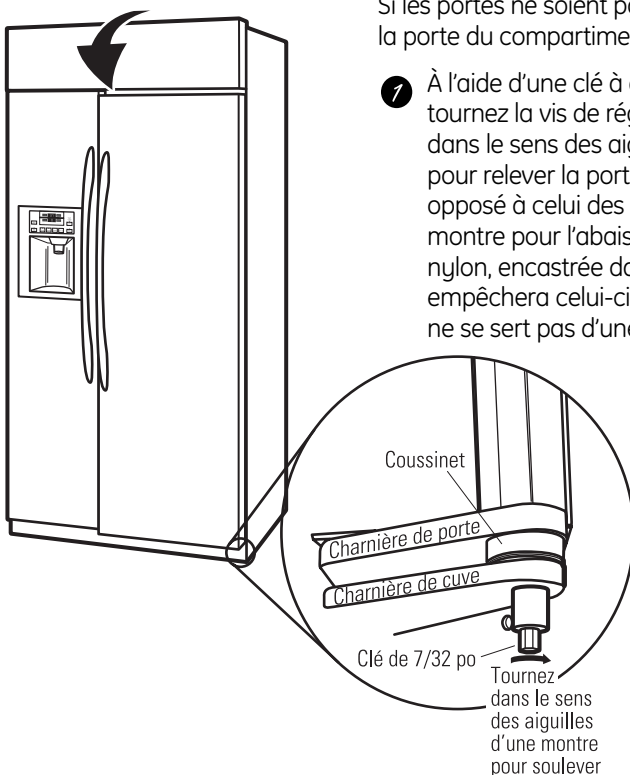
Au delà de cette position **d'arrêt** la porte restera ouverte.

Alignement des portes

Si les portes ne soient pas alignées, réglez la porte du compartiment réfrigérateur.

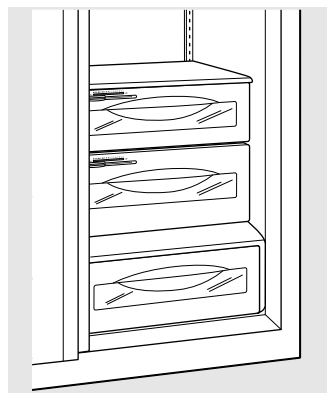
- 1 À l'aide d'une clé à douille de 7/32 po, tournez la vis de réglage de la porte dans le sens des aiguilles d'une montre pour relever la porte, dans le sens opposé à celui des aiguilles d'une montre pour l'abaisser. (Une douille de nylon, encastrée dans les filets de l'axe, empêchera celui-ci de tourner si l'on ne se sert pas d'une clé.)

- 2 Après avoir tourné la clé une ou deux fois, ouvrez et fermez la porte du compartiment réfrigérateur et vérifiez l'alignement des portes à la partie supérieure.



Les tiroirs et les paniers.

Toutes les caractéristiques ne sont pas disponibles sur tous les modèles.



Tiroirs à fruits et légumes

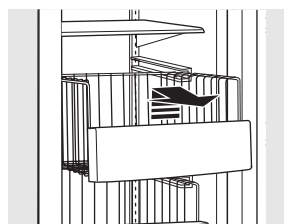
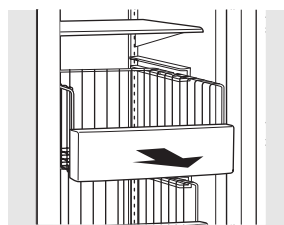
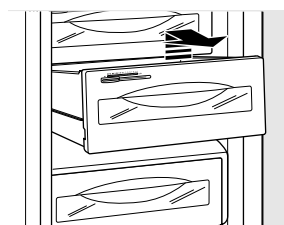
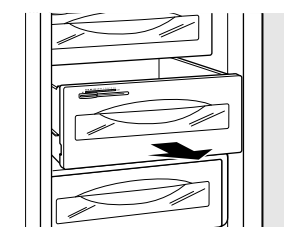
Si une quantité d'eau excessive s'accumule dans le fond des tiroirs, essuyez-les.



Tiroirs avec humidité variable

Réglez la commande à **HI** pour que le tiroir conserve un degré d'humidité élevé pour la conservation des légumes.

Réglez la commande à **LO** pour abaisser le degré d'humidité dans le tiroir pour la conservation des fruits.



Comment enlever et remettre en place les tiroirs et les paniers du compartiment congélation

Pour enlever les tiroirs à aliments frais :

- 1 Faites sortir le tiroir désiré en le tirant en dehors de sa position d'arrêt.
- 2 Soulevez légèrement l'avant du tiroir.
- 3 Tirez le tiroir légèrement vers l'avant et faites-le sortir du réfrigérateur.

Pour remettre en place les tiroirs à aliments frais :

- 1 Faites basculer les rouleaux arrière du tiroir à l'arrière des rouleaux dans le rail.
- 2 Abaissez l'avant du tiroir jusqu'à sa position normale.
- 3 Faites glisser le tiroir jusqu'à l'arrière du réfrigérateur.

Pour enlever les paniers du compartiment congélation :

- 1 Faites sortir le panier désiré en le tirant en dehors de sa position d'arrêt.
- 2 Soulevez légèrement l'avant du panier.
- 3 Tirez le panier légèrement vers l'avant et faites-le sortir du compartiment congélation.

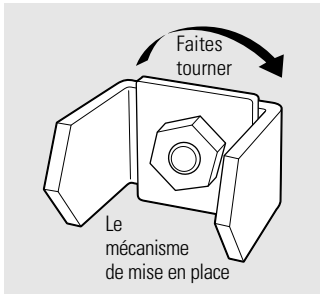
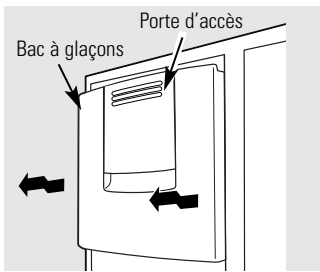
Pour remettre en place les paniers du compartiment congélation :

- 1 Placez les coins arrière dans le rail avec le panier basculé vers le haut.
- 2 Abaissez le panier vers le bas jusqu'à sa position normale.
- 3 Faites glisser le panier jusqu'à l'arrière du compartiment congélation.

Le distributeur d'eau et de glaçons et la machine à glaçons automatique.

electromenagersge.ca

Il faut prévoir entre 12 et 24 heures avant qu'un réfrigérateur nouvellement installé commence à produire des glaçons.



Bac à glaçons

Pour enlever :

Soulevez la porte d'accès pour atteindre la machine à glaçons. Mettez l'interrupteur d'alimentation électrique de la machine à glaçons en position **O (arrêt)**. Avec la porte d'accès fermée, soutenez le bac d'entreposage en bas tout en soulevant légèrement. Tirez le bac droit pour le faire sortir.

Pour remettre en place :

Faites glisser le bac vers l'arrière jusqu'à ce que l'ergot du bac se fixe dans la fente de la clayette. Si le bac ne va pas jusqu'à l'arrière, enlevez-le et faites tourner le mécanisme de mise en place d'un quart de tour. Poussez alors le bac vers l'arrière à nouveau.

Renseignements importants concernant votre distributeur d'eau et de glaçons

- N'ajoutez pas dans le bac à glaçons des glaçons non fabriqués par votre machine à glaçons. Ils risquent d'être difficiles à concasser ou à distribuer.

- Évitez de trop remplir les verres de glaçons et d'utiliser des verres étroits ou très hauts. Le conduit peut se bloquer et le volet peut geler et coincer. S'il y a des glaçons qui bloquent le conduit, faites-les passer au moyen d'une cuillère en bois.
- Ne placez pas de boissons ou d'aliments dans le bac à glaçons pour les rafraîchir. Les boîtes, bouteilles et paquets alimentaires peuvent coincer la machine à glaçons ou la vis sans fin.
- Afin que la glace distribuée ne puisse manquer le verre, placez le verre à proximité mais sans toucher l'ouverture du distributeur.
- Même si vous avez sélectionné CUBED (glaçons), il est possible que de la glace concassée tombe dans votre verre. Cela se produit de temps à autre lorsque plusieurs glaçons sont acheminés vers le broyeur.
- Après distribution de la glace concassée, de l'eau peut s'écouler du conduit.
- Le premier verre d'eau distribué peut être plus chaud que les verres suivants. C'est normal.

Machine à glaçons automatique

Il faut prévoir entre 12 et 24 heures avant qu'un réfrigérateur nouvellement installé commence à produire des glaçons.

La machine à glaçons produira environ 7 glaçons par cycle—soit environ 15 cycles toutes les 24 heures—selon la température du congélateur, la température ambiante, la fréquence d'ouverture des portes et d'autres conditions d'utilisation.

Si vous mettez votre réfrigérateur en marche avant que la machine à glaçons ne soit alimentée en eau, mettez l'interrupteur d'alimentation à la position **O (arrêt)**.

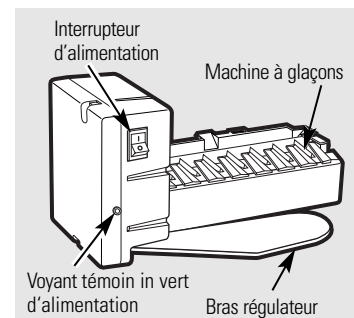
Lorsque la conduite d'eau est raccordée au réfrigérateur, mettez l'interrupteur d'alimentation à la position **I (marche)**. La lumière verte s'allume.

Jetez le premier bac de glaçons.

Assurez-vous que rien ne gêne le mouvement du bras régulateur.

Si le bac à glaçons est plein jusqu'au niveau du bras régulateur, la machine à glaçons s'arrête de produire des glaçons.

Il est normal que plusieurs glaçons soient collés entre eux.



Lorsque vous n'utilisez pas souvent de glaçons, les vieux glaçons perdent leur transparence, prennent un goût désagréable, et diminuent de taille.

Après avoir remis en marche la machine à glaçons, il y a un délai d'environ 45 minutes avant que la machine à glaçons se remette en marche.

NOTE : Dans les maisons où la pression de l'eau est plus faible que la normale, vous entendrez la machine à glaçon se remettre en marche à plusieurs reprises pour fabriquer un lot de glaçons. **Nous recommandons une pression d'eau de 60 psi.**

Mesures de sécurité

Fonctionnement

Installation

Conseils de dépannage

Soutien au consommateur

Le distributeur d'eau et de glaçons.



Clayette de trop-plein

Pour utiliser le distributeur

Sélectionnez **CUBED** (glaçons), **CRUSHED** (glace concassée) ou **WATER** (eau).

Appuyez doucement le verre contre le milieu de la touche de distribution.

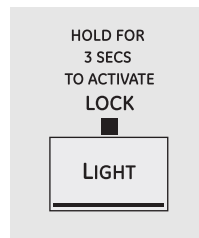
La clayette de trop-plein n'est pas munie d'un système d'écoulement. Pour réduire les taches d'eau, vous devez nettoyer régulièrement la clayette et sa grille.

S'il n'y a pas d'eau distribuée lorsque le réfrigérateur est initialement installé, il y a peut-être de l'air dans la conduite d'eau. Appuyez sur la commande de distribution pendant deux minutes au minimum pour expulser l'air de la conduite d'eau et remplir le système d'eau. Afin d'éliminer les éventuelles impuretés provenant de la conduite d'eau, jetez les six premiers verres d'eau.

▲ MISE EN GARDE :

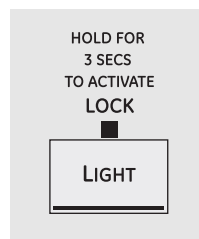
Ne mettez jamais les doigts ou d'autres objets dans l'ouverture du distributeur.

Verrouillage du distributeur



Appuyez sur le bouton **LOCK/LIGHT** pendant 3 secondes pour verrouiller le distributeur et le panneau de réglage. Pour déverrouiller, appuyez sur le bouton et tenez-la enfoncée pendant encore 3 secondes.

Lumière du distributeur



Ce bouton allume et éteint **la lumière du distributeur**. Vous allumez également la lumière en appuyant sur la touche de distribution. Si cette ampoule brûle, vous devez la remplacer par une ampoule d'au maximum 6 watts, 12V.

Glace rapide

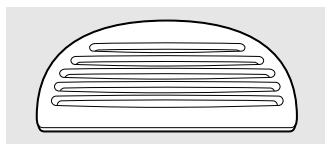


Si vous avez besoin de glace rapidement, appuyez sur ce bouton pour accélérer la production de glace. Cela augmente la production de glace pendant les 48 heures suivantes ou jusqu'à ce que vous appuyez à nouveau sur ce bouton.

Alarme de porte



Pour brancher l'alarme de porte, appuyez une fois sur le bouton **DOOR ALARM** (alarme de porte). Le signal lumineux **ACTIVE** (activée) s'allume. Pour la débrancher, appuyez encore une fois sur le bouton. Quand l'alarme de porte est activée, le signal lumineux **ACTIVE** clignote quand vous ouvrez la porte et fait un signal sonore si vous laissez la porte ouverte pendant plus de 2 minutes. La lumière s'éteint et le signal sonore s'arrête quand vous fermez la porte.



Zone de ramasse-gouttes du distributeur.

Nettoyage de l'extérieur

Vous devez nettoyer périodiquement la clayette de trop-plein et les surfaces situées autour d'elle à l'aide d'un détergent liquide doux à vaisselle.

La touche de distribution. Avant de nettoyer, verrouillez le distributeur en appuyant pendant 3 secondes sur le bouton **LOCK/LIGHT** (verrouillage/lumière), afin d'éviter de mettre en marche le distributeur. Nettoyez à l'aide d'un détergent liquide doux à vaisselle et d'eau chaude. Rincez soigneusement et séchez bien. Déverrouillez le distributeur en appuyant sur le bouton **LOCK/LIGHT** pendant 3 secondes.

Les poignées de porte. Nettoyez-les au moyen d'un linge humecté d'eau savonneuse. Séchez avec un linge doux.

N'essuyez pas le réfrigérateur avec un linge à vaisselle sale ou une serviette humide : ils pourraient laisser un résidu qui pourra endommager le fini de surface. N'utilisez pas de tampons à récurer, de produits nettoyants en poudre, de javellisants ou de produits nettoyants contenant un javellissant, car ces produits peuvent égratigner et endommager le fini de surface.

Acier inoxydable. Nettoyez et polissez régulièrement les portes en acier inoxydable à l'aide d'un nettoyant pour acier inoxydable vendu sur le marché, comme le Stainless Steel Magic™ pour conserver et protéger le fini de surface délicat. Vous pouvez également le commander en vous adressant au Service de pièces et accessoires GE par téléphone au numéro 800.626.2002 ou à notre site Web, ge.com. Au Canada, appelez le 1.888.261.3055 ou visitez notre site Web, electromenagersge.ca. Commandez la pièce numéro WX10X15.

N'utilisez pas de cire pour appareils ménagers sur l'acier inoxydable.

Nettoyage de l'intérieur

Débranchez le courant au niveau de la boîte à fusible ou du disjoncteur avant de nettoyer votre réfrigérateur. S'il est trop difficile de le faire, essorez bien votre linge ou votre éponge pour enlever l'excès d'eau lorsque vous nettoyez autour des interrupteurs, des lampes ou des commandes.

Utilisez une solution d'eau tiède et de bicarbonate de soude—environ 15 ml (une cuillère à soupe) de bicarbonate de soude par litre (une pinte) d'eau—afin de nettoyer tout en neutralisant les odeurs. Rincez et essuyez bien.

Vous pouvez nettoyer de la même manière les autres parties du réfrigérateur, y compris les joints de porte, la clayette à amuse-gueules et les tiroirs à légumes, le bac à glaçons et toutes les pièces en matière plastique.

Ne lavez jamais au lave-vaisselle la clayette ou une pièce en matière plastique de votre réfrigérateur.

Évitez de nettoyer les clayettes en verre encore froides dans de l'eau chaude car elles risquent de se casser à cause de l'écart excessif de température. Manipulez les clayettes en verre avec prudence. Si vous cognez le verre trempé, il pourra se briser.

Entretien et nettoyage du réfrigérateur.

Départ en vacances

Lorsque vous vous absentez pendant une période prolongée, videz et débranchez le réfrigérateur. Nettoyez l'intérieur avec une solution d'eau et de bicarbonate de soude, à raison 15 ml (d'une cuillère à soupe) de bicarbonate par litre (1 pinte) d'eau. Laissez les portes ouvertes.

Mettez l'intercepteur d'alimentation de la machine à glaçons à la position **O (arrêt)** et fermez l'alimentation d'eau au réfrigérateur.

Si la température risque de descendre sous le point de congélation, demandez à un réparateur de vidanger la conduite d'eau afin d'éviter les dégâts sérieux causés par les inondations.

Déménagement

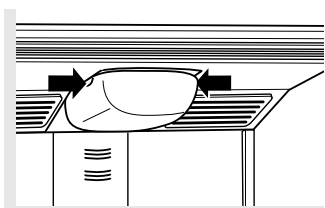
Immobilisez tous les éléments amovibles, tels que les clayettes et les bacs, à l'aide de ruban gommé pour éviter de les endommager.

⚠ MISE EN GARDE :

Ce réfrigérateur est lourd et de grande taille. Aussi, pour réduire le risque de blessure corporelle ou de dommage à ce produit, IL FAUT AU MOINS 4 PERSONNES POUR DÉMÉNAGER LE RÉFRIGÉRATEUR À VOTRE MAISON ET IL FAUT 2 PERSONNES POUR BIEN L'INSTALLER.

Assurez-vous que le réfrigérateur demeure debout pendant son déménagement.

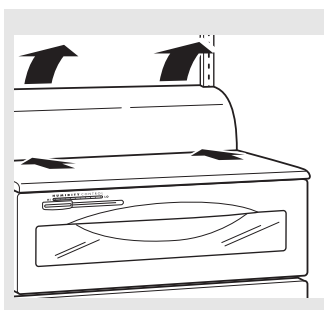
Lorsque vous réglez les commandes sur **OFF** (Arrêt), l'alimentation électrique de l'ampoule n'est pas coupée.



(l'apparence peuvent varier)

Compartiment réfrigérateur—lampe supérieure

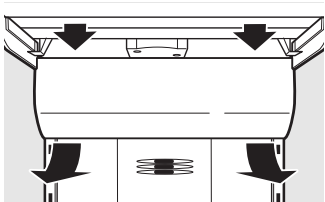
- 1 Soulevez le panneau de la grille, mettez l'interrupteur général d'alimentation en position **O (arrêt)** et laissez l'ampoule refroidir.
- 2 Pour enlever le pare-lumière, appuyez sur les côtés du pare-lumière et abaissez.
- 3 Remplacez l'ampoule par une ampoule d'appareil électroménager de même puissance ou de puissance inférieure. Remettez en place le pare-lumière en faisant entrer les taquets de derrière dans les fentes de derrière. Tout en tenant en place l'arrière du pare-lumière, faites entrer les taquets de devant dans la fente de devant.
- 4 Mettez l'interrupteur général d'alimentation en position **I (marche)** et fermez le panneau de la grille.



Compartiment réfrigérateur—lampe inférieure

Cette lumière se trouve au dessus du tiroir d'en haut.

- 1 Soulevez le panneau de la grille, mettez l'interrupteur général d'alimentation en position **O (arrêt)** et laissez l'ampoule refroidir.
- 2 Enlevez tous les articles qui se trouvent sur la clayette située au-dessus du pare-lumière. Enlevez la clayette.
- 3 Saisissez à deux mains les deux extrémités du pare-lumière. Pressez le bas du pare-lumière avec le pouce, tout en faisant tourner le couvercle vers le haut pour le faire sortir.
- 4 Remplacez l'ampoule par une ampoule d'appareil électroménager de même puissance ou de puissance inférieure. Remettez en place le pare-lumière en faisant entrer le taquet du bas dans la fente et en mettant un peu de pression en avant pour fixer le pare-lumière en place.
- 5 Mettez l'interrupteur général d'alimentation en position **I (marche)** et fermez le panneau de la grille.



Compartiment congélateur

- 1 Soulevez le panneau de la grille, mettez l'interrupteur général d'alimentation en position **O (arrêt)** et laissez l'ampoule refroidir.
- 2 Enlevez tous les articles qui se trouvent sur la clayette située au-dessous du pare-lumière. Enlevez la clayette.
- 3 Pour enlever le pare-lumière, appuyez en haut du pare-lumière et faites sortir les taquets des fentes. Faites basculer le pare-lumière pour le faire sortir.
- 4 Remplacez l'ampoule par une ampoule d'appareil électroménager de même puissance ou de puissance inférieure et remettez en place le pare-lumière. Remettez en place le pare-lumière en faisant entrer le taquet du bas dans la fente et en mettant un peu de pression en avant pour fixer le pare-lumière en place.
- 5 Mettez l'interrupteur général d'alimentation en position **I (marche)** et fermez le panneau de la grille.

Distributeur

- 1 Soulevez le panneau de la grille, mettez l'interrupteur général d'alimentation en position **O (arrêt)** et laissez l'ampoule refroidir.
- 2 L'ampoule est dans le distributeur situé en dessous du panneau de contrôle. Enlevez les deux vis du pare-lumière. Faites glisser le pare-lumière vers le distributeur pour faire sortir les taquets, puis enlevez le pare-lumière. Enlevez l'ampoule en la faisant tourner dans le sens opposé à celui des aiguilles d'une montre.
- 3 Remplacez l'ampoule par une ampoule d'appareil électroménager de même puissance ou de puissance inférieure. Remettez en place le pare-lumière en faisant entrer les taquets dans les fentes à l'avant du distributeur. Remettez en place les deux vis.
- 4 Mettez l'interrupteur général d'alimentation en position **I (marche)** et fermez le panneau de la grille.

Instructions d'installation

Réfrigérateurs encastrés à compartiments juxtaposés

PSB42YS, PSB42YG, PSB48YS, PSB48YG

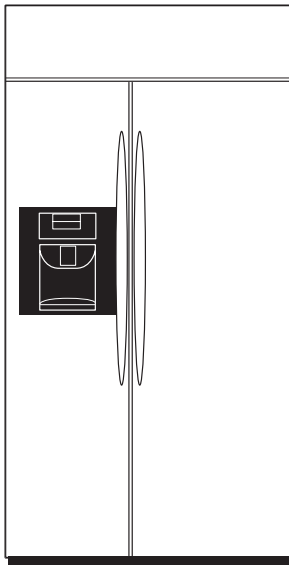
Si vous avez des questions, appelez le 1.800.561.3344 ou visitez notre site Web à l'adresse :
www.electromenagersge.ca



AVANT DE COMMENCER

Lire ces instructions complètement et soigneusement.

- **IMPORTANT** – Il faut respecter tous les codes en vigueur.
- **Note pour l'installateur** – Il faut prendre soin de laisser ces instructions pour utilisation par le client et l'inspecteur local.
- **Note pour le consommateur** – Il faut conserver ces instructions avec le manuel d'utilisation pour consultation ultérieure.
- **Niveau de compétence** – L'installation de ce réfrigérateur nécessite des aptitudes de base en mécanique, charpenterie et plomberie. L'installateur est responsable de la qualité de l'installation. Une défaillance du produit à cause d'une mauvaise installation n'est pas couverte par la garantie des appareils électroménagers de GE. Consulter les renseignements dans la garantie.
- **Durée de l'installation** – 90 minutes (une nouvelle installation prend plus de temps qu'une installation de remplacement).



MISE EN GARDE :

À cause du poids et de la taille de ce réfrigérateur, et pour réduire les risques de blessures et éviter d'endommager le produit, **IL FAUT AU MOINS 4 PERSONNES POUR AMENER L'APPAREIL DANS LA MAISON ET 2 PERSONNES POUR FAIRE L'INSTALLATION.**



AVERTISSEMENT :

- Ces réfrigérateurs sont **plus lourds en haut qu'en bas** et il faut les maintenir en place pour éviter la possibilité de basculement. **Un dispositif anti-basculement est nécessaire.** Consultez les détails, page 83, étape 4.
- Il ne faut utiliser cet appareil que pour l'usage pour lequel il a été construit.
- Il faut réparer ou remplacer immédiatement tout cordon d'alimentation qui est effiloché ou endommagé.
- Mettez **l'interrupteur principal** sur **O (l'arrêt)** avant de faire un nettoyage ou une réparation.
- Les réparations doivent être faites par un technicien qualifié.

Pour une intervention GE Profile™ au Canada, appelez 1.800.561.3344.

Pour obtenir des pièces de rechange et des accessoires GE Profile, appelez 1.800.626.2002.

www.electromenagersge.ca

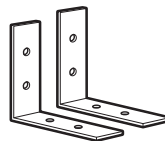
À LIRE ATTENTIVEMENT.

CONSERVEZ CES INSTRUCTIONS.

Instructions d'installation

QUINCAILLERIE FOURNIE

- Bouchon de dérivation du filtre à eau
- Pattes anti-basculement



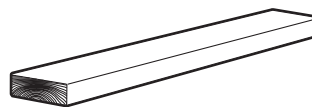
Pattes anti-basculement



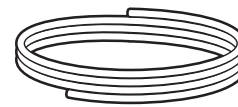
Bouchon de dérivation du filtre à eau

MATÉRIEL NÉCESSAIRE

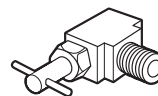
- Bloc de bois de 2 po x 4 po, de 90 cm (36 po) de long, pour l'installation des pattes anti-basculement
- Vis à bois n° 12 ou n° 14 pour les pattes anti-basculement
- Vis pour fixer le réfrigérateur sur les armoires
- Tube de cuivre de 1/4 po de diamètre externe pour la conduite d'eau, ou kit de tube pour réfrigérateur GE SmartConnect™
- Robinet d'arrêt d'eau
- Panneaux personnalisés pour les portes et grille (en cas d'installation de panneaux personnalisés)
- Bande adhésive spéciale 3M Dual Lock pour les panneaux latéraux de 6 mm (1/4 po) (en cas d'installation de panneaux latéraux)



Bloc de bois de 90 cm (36 po) de long



Tube de cuivre de 1/4 po de diamètre externe pour la conduite d'eau, ou kit de tube pour réfrigérateur GE SmartConnect™



Robinet d'arrêt d'eau



Vis à bois n° 12 ou n° 14



Vis



Bande adhésive spéciale 3M Dual Lock



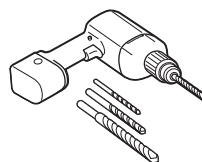
Panneaux personnalisés

OUTILS NÉCESSAIRES

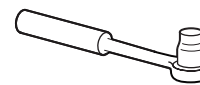
- Cisailles à tôle pour couper les bandes
- Escabeau
- Seau
- Niveau
- Diable
- Coupe-tube
- Tournevis à lame
- Clé plate de 1/2 po
- Tournevis cruciforme n° 2
- Perceuse et forets appropriés
- Douilles de 7/32 po et 1/2 po
- Lunettes de sécurité
- Clé plate de 7/16 po
- Pincès



Diable



Perceuse et forets



Douille



Lunettes de sécurité



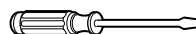
Clé



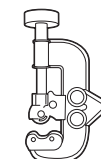
Seau



Escabeau



Tournevis à lame



Coupe-tube



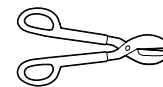
Pincès



Tournevis cruciforme



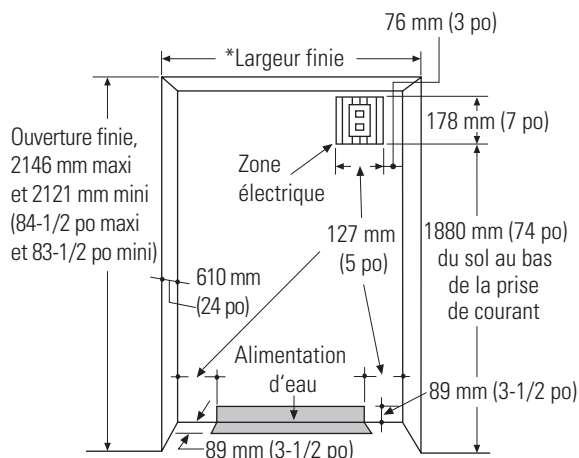
Niveau



Cisailles à tôle

Instructions d'installation

ESPACE POUR L'INSTALLATION



*L'ouverture doit avoir une largeur finie de 1054 mm (41-1/2 po) pour les modèles de 1067 mm (42 po) et 1206.5 mm (47-1/2 po) pour les modèles de 1219 mm (48 po)

Emplacements de l'arrivée d'eau et d'électricité

L'ouverture doit être préparée avec les alimentations d'électricité et d'eau aux endroits indiqués.

L'espace doit avoir une profondeur de 610 mm (24 po)

Le réfrigérateur doit dépasser légèrement devant les armoires adjacentes, en fonction de l'installation.

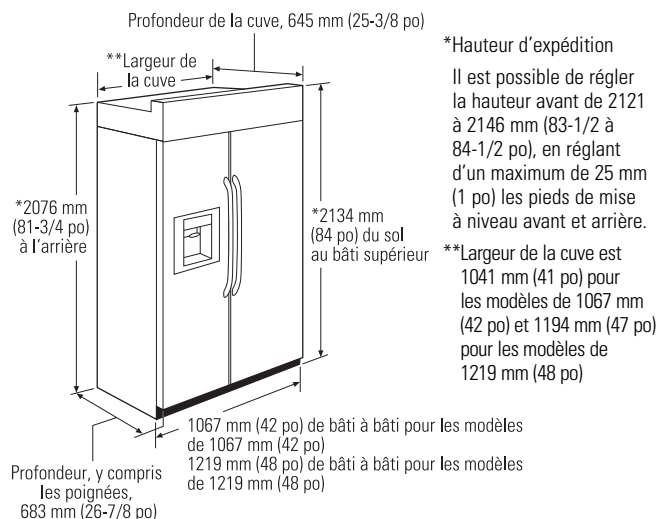
Spécifications supplémentaires

- Il doit y avoir une alimentation en 120 V, 60 Hz, 15 ou 20 A. Il est recommandé d'avoir un circuit individuel correctement mis à la terre ou un disjoncteur séparé. Installez une prise de courant encastrée, correctement mise à la terre, ou un coupe-circuit. La prise de courant doit être sur le mur arrière, comme montré.

Note : Un disjoncteur différentiel (GFI) n'est pas recommandé.

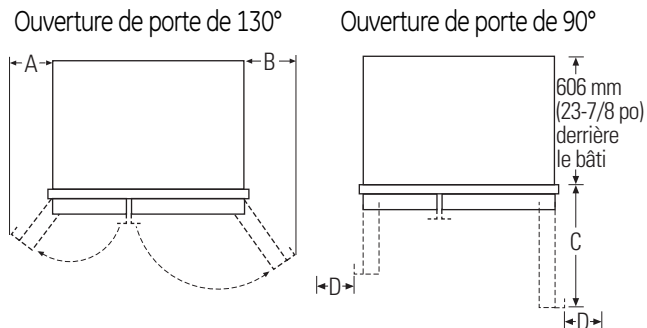
- La conduite d'eau peut entrer dans l'ouverture à travers le sol ou le mur arrière. La conduite d'eau doit être en tube de cuivre de 1/4 po de diamètre externe ou en tube GE SmartConnect™, entre la conduite d'eau froide et l'emplacement du branchement d'eau. La conduite doit être suffisamment longue pour s'étendre jusqu'à l'avant du réfrigérateur. Il est recommandé d'installer un robinet de coupure sur la conduite d'eau dans un endroit d'accès facile.

DIMENSIONS ET ESPACES LIBRES



Espace pour le réfrigérateur

Ces réfrigérateurs sont équipés d'une butée de porte à deux positions. Le réglage d'usine à 130° peut être réglé à 90° si l'espace entre le réfrigérateur et les armoires ou les murs adjacents est restreint.



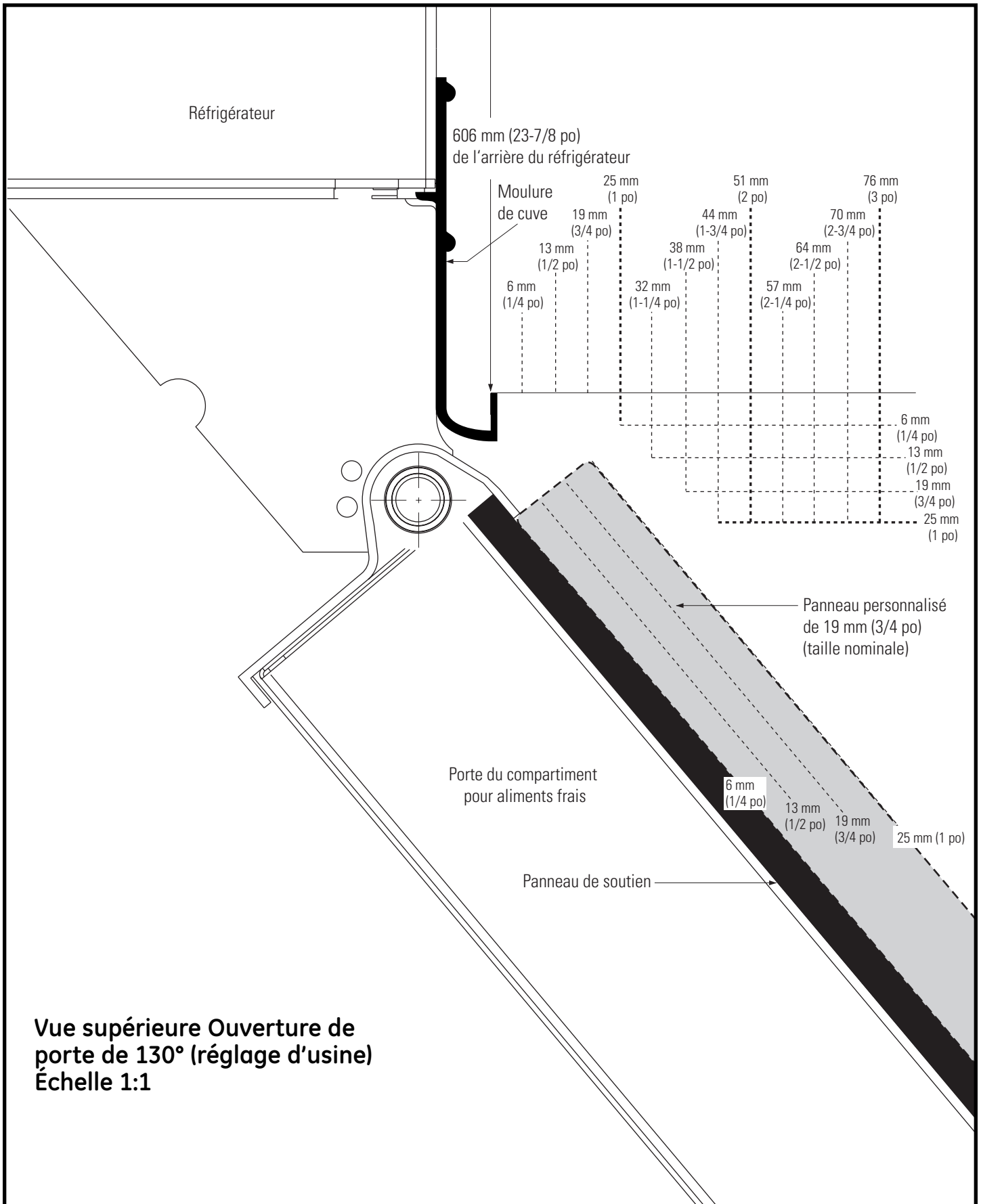
Modèles	A	B	C	D
1067 mm (42 po)	310 mm (12-3/16 po)	406 mm (16 po)	610 mm (24 po)	127 mm (5 po)
1219 mm (48 po)	342 mm (13-7/16 po)	472 mm (18-9/16 po)	713 mm (28 po)	127 mm (5 po)

Il faut prévoir l'espace minimal pour la porte de congélateur (dimension A) et la porte du compartiment pour aliments frais (dimension B) pour une ouverture totale de la porte de 130° et permettre la sortie du tiroir.

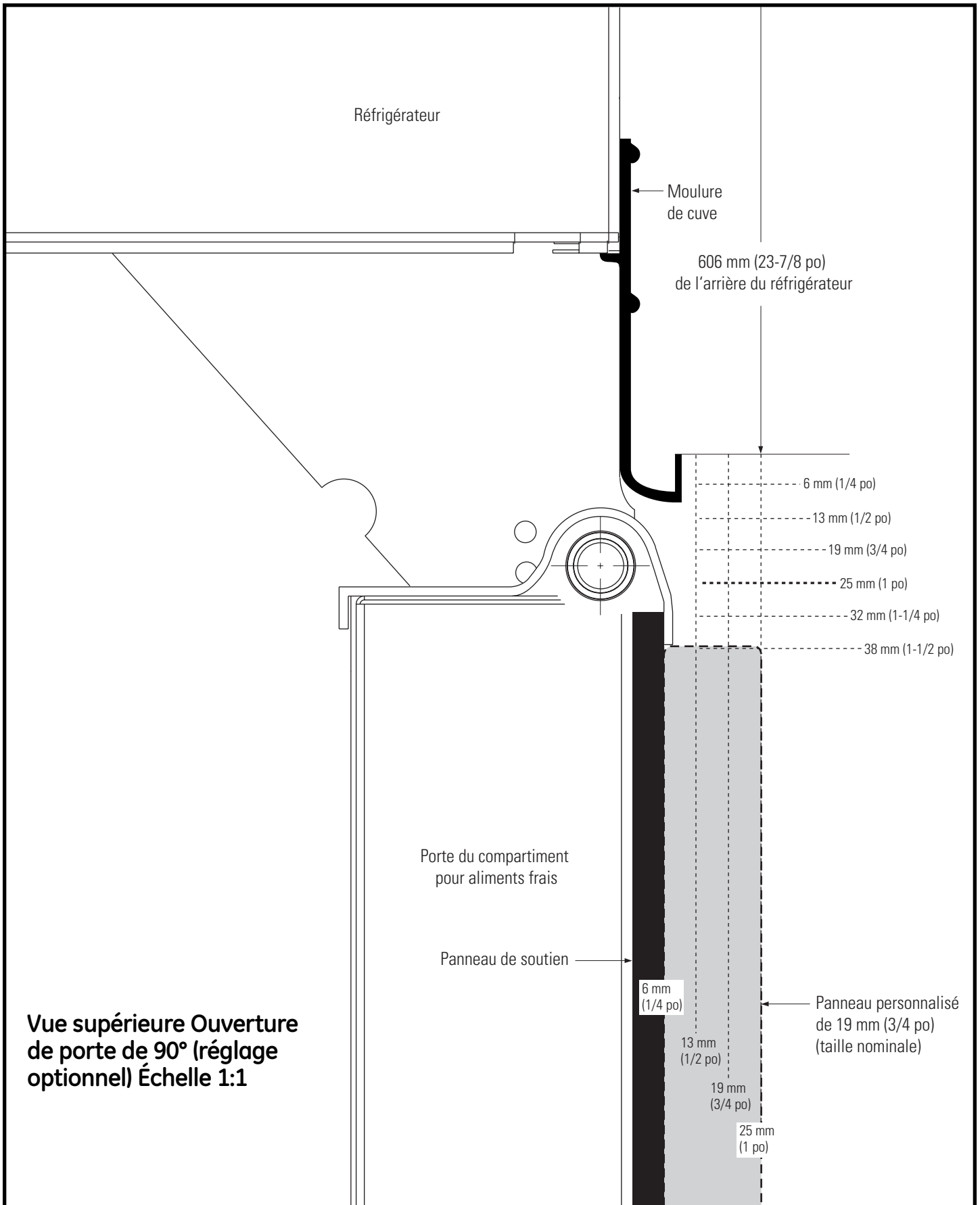
Il faut un espace d'au moins 102 mm (4 po) quand l'ouverture de la porte est réglée à 90°. Quand la butée de porte est réglée à 90°, l'accès au tiroir est maintenu, mais la sortie du tiroir est limitée.

Consultez les illustrations aux pages 67 et 68 pour déterminer l'interaction des portes avec les placards et les comptoirs adjacents.

Instructions d'installation



Instructions d'installation



Instructions d'installation

PRINCIPES DE BASE DE LA PERSONNALISATION :

Modèles recouverts d'acier inoxydable

Modèle 42 po (106 cm)—PSB42YS

Modèle 48 po (121 cm)—PSB48YS

Des réfrigérateurs recouverts d'acier inoxydable possède des portes recouvertes d'acier inoxydable et des panneaux à grille et des extrémités biseautés. Ces modèles sont livrés prêts à l'installation.

Modèles à cadre décoratif

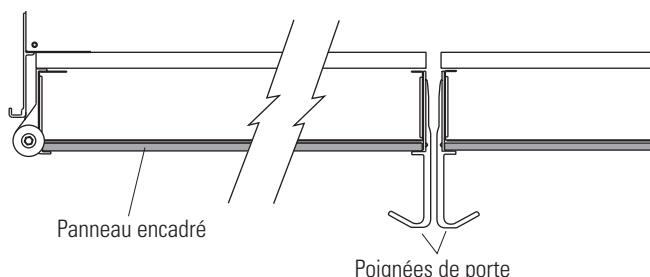
Modèles 42 po (106 cm)—PSB42YG

Modèles 48 po (121 cm)—PSB48YG

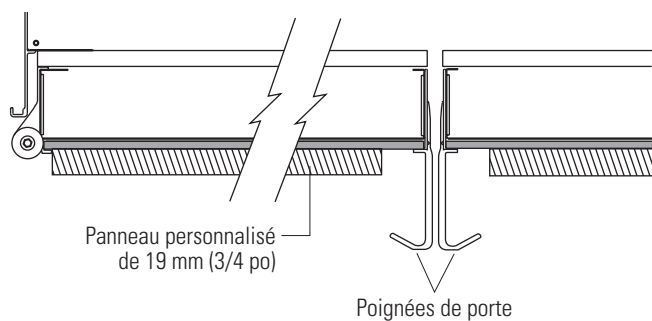
Les réfrigérateurs à finition élégante sont conçus pour être personnalisés avec la pose de panneaux décoratifs. Une porte personnalisée installée sur site et des panneaux à grille sont nécessaires. Les panneaux peuvent disposer de cadres ou pleine largeur et il est possible de les utiliser avec les poignées pré-installées ou les poignées personnalisées fournies par le fabricant de l'armoire.

Panneaux personnalisés encadrés

Vous pouvez installer des panneaux personnalisés de votre fabricant. Le panneau décoratif coulisse dans le cadre décoratif installé en usine. Un panneau d'une finition de 1/4 po (6,3 mm) peut être utilisé.



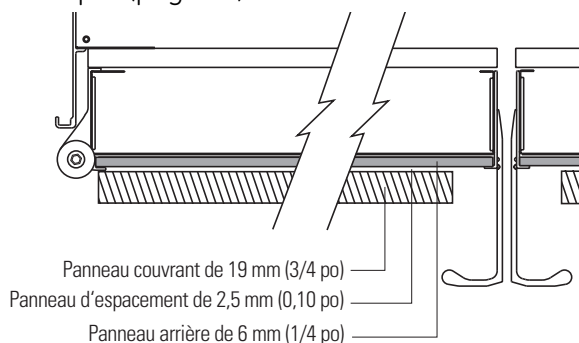
Vous pouvez installer un panneau de 3/4 po (19 mm) sur un panneau de support de 1/4 po (6,3 mm). Si les poignées de la porte pré-installées sont utilisées, le panneau de support sera exposé par la poignée et devra être poli (page 73). Les poignées personnalisées peuvent également être utilisées.



Panneaux personnalisés superposes pleine largeur

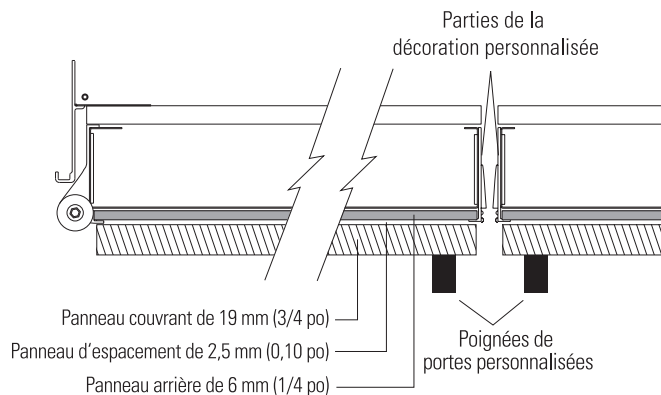
Les panneaux personnalisés superposes pleine largeur sont conçus pour coulisser dans le cadre décoratif installé en usine, aucun kit n'est nécessaire. Dans ce design, il est possible d'obtenir un aspect sans cadre décoratif.

Un panneau d'espacement de 0,10 po (2,5 mm) doit être installé entre le panneau de support de 1/4 po (6,3 mm) et le panneau d'apparence 3/4 po (19 mm). Si les poignées de la porte pré-installées sont utilisées, le panneau de support dépassera de la poignée et il devra être poli (page 73).



Poignées de porte

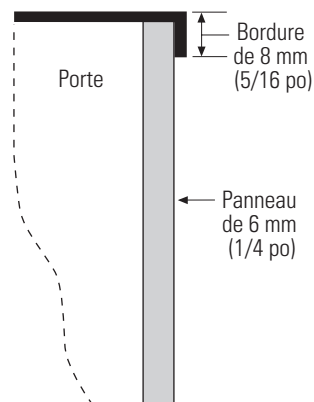
Les poignées de la porte pré-installées peuvent accueillir les panneaux superposés ou encadrés. Les poignées personnalisées à votre convenance, fournies par le fabricant du réfrigérateur, ne peuvent être installées que sur des panneaux superposés 3/4 po (19 mm). Lors de l'installation des poignées personnalisées, veillez à prendre la mesure afin de vous assurer que le montage des poignées sélectionnées masquera le distributeur une fois installé sur la porte du congélateur. Les poignées montées sur les panneaux en bois inférieur et supérieur de la porte du congélateur et non sur le distributeur. En cas d'utilisation d'une poignée personnalisée, seul le panneau superposé 3/4 po (19 mm) doit être exposé, et les parties de la décoration personnalisée doivent être installées (page 87).



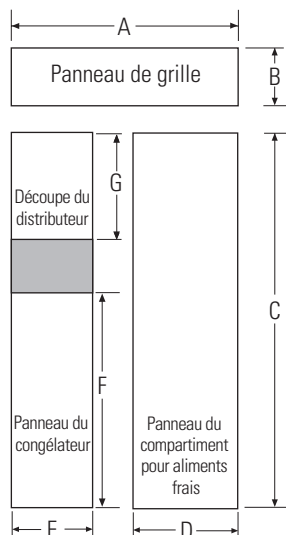
Instructions d'installation

DIMENSIONS DES PANNEAUX ENCADRÉS DE 6 mm (1/4 po)

En cas d'installation de panneaux encadrés, ceux-ci doivent être coupés aux dimensions indiquées. Les panneaux glissent dans le cadre des portes et de la grille.



NOTE IMPORTANTE : Le poids du panneau de la porte pour aliments frais ne doit pas dépasser 31,7 kg (70 lb). Le poids du panneau de la porte du congélateur ne doit pas dépasser 20,6 kg (45 lb). Le poids du panneau de la grille ne doit pas dépasser 6,8 kg (15 lb).



Dimensions des panneaux avant en millimètres (pouces)

	A	B	C	D	E	F	G
Modèles de 1014	273	1724	568	418	893	452	
1067 mm (42 po)	(39-15/16)	(10-3/4)	(67-7/8)	(22-11/32)	(16-7/16)	(35-5/32)	(17-13/16)
Modèles de 1168	273	1724	672	469	893	452	
1219 mm (48 po)	(45-31/32)	(10-3/4)	(67-7/8)	(26-15/32)	(18-15/32)	(35-5/32)	(17-13/16)

NOTE IMPORTANTE : Finition du distributeur

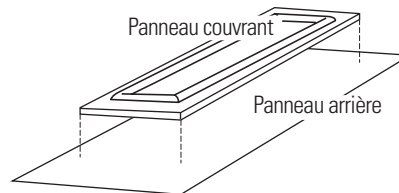
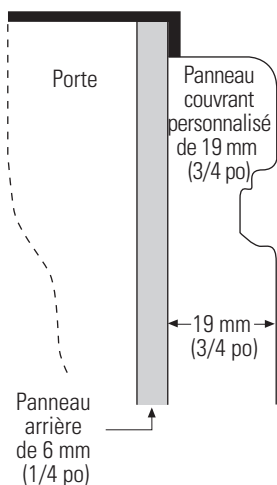
Le réfrigérateur est fourni avec la moulure du distributeur installée en usine.

- Si le panneau a une épaisseur inférieure à 6 mm (1/4 po), un espace visible est créé autour de la finition du distributeur. Il est possible d'appliquer du ruban en mousse sur la porte pour améliorer la finition.
- Si le panneau a une épaisseur supérieure à 6 mm (1/4 po), il n'est pas possible de monter le panneau derrière la finition.

Instructions d'installation

OPTION DE PANNEAU PERSONNALISÉ ENCADRÉ DE 19 MM

Pour obtenir une apparence encore plus personnalisée, il est possible d'installer des panneaux personnalisés encadrés de 19 mm sur les modèles avec moulure. Le panneau couvrant est fixé à un panneau arrière fini de 6 mm. Le panneau personnalisé assemblé doit alors glisser dans la moulure en suivant la procédure décrite, page 86.

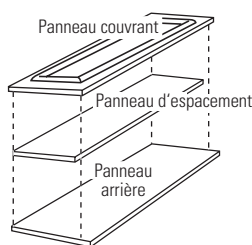
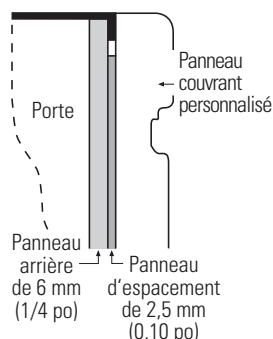


NOTE : Le décalage de la gauche vers la droite n'est pas égal au décalage du haut au bas.

$6,35 \text{ mm} + 19,05 \text{ mm} = 25,4 \text{ mm}$ ($0,250 + 0,750 = 1,000 \text{ po}$),
épaisseur totale maximale du panneau

OPTION DE PANNEAU COUVRANT PERSONNALISÉ PLEINE LARGEUR DE 19 MM

Cette conception donne un aspect presque sans garniture. Le panneau couvrant pleine largeur couvre presque toute la garniture de porte. Pour ce panneau, vous devez installer un panneau d'espacement entre le panneau arrière fini et le panneau couvrant.



NOTE : Le décalage de la gauche vers la droite n'est pas égal au décalage du haut au bas.

$6,35 \text{ mm} + 2,54 \text{ mm} + 19,05 \text{ mm} = 27,94 \text{ mm}$ ($0,250 + 0,10 + 0,750 = 1,100 \text{ po}$),
épaisseur totale maximale du panneau

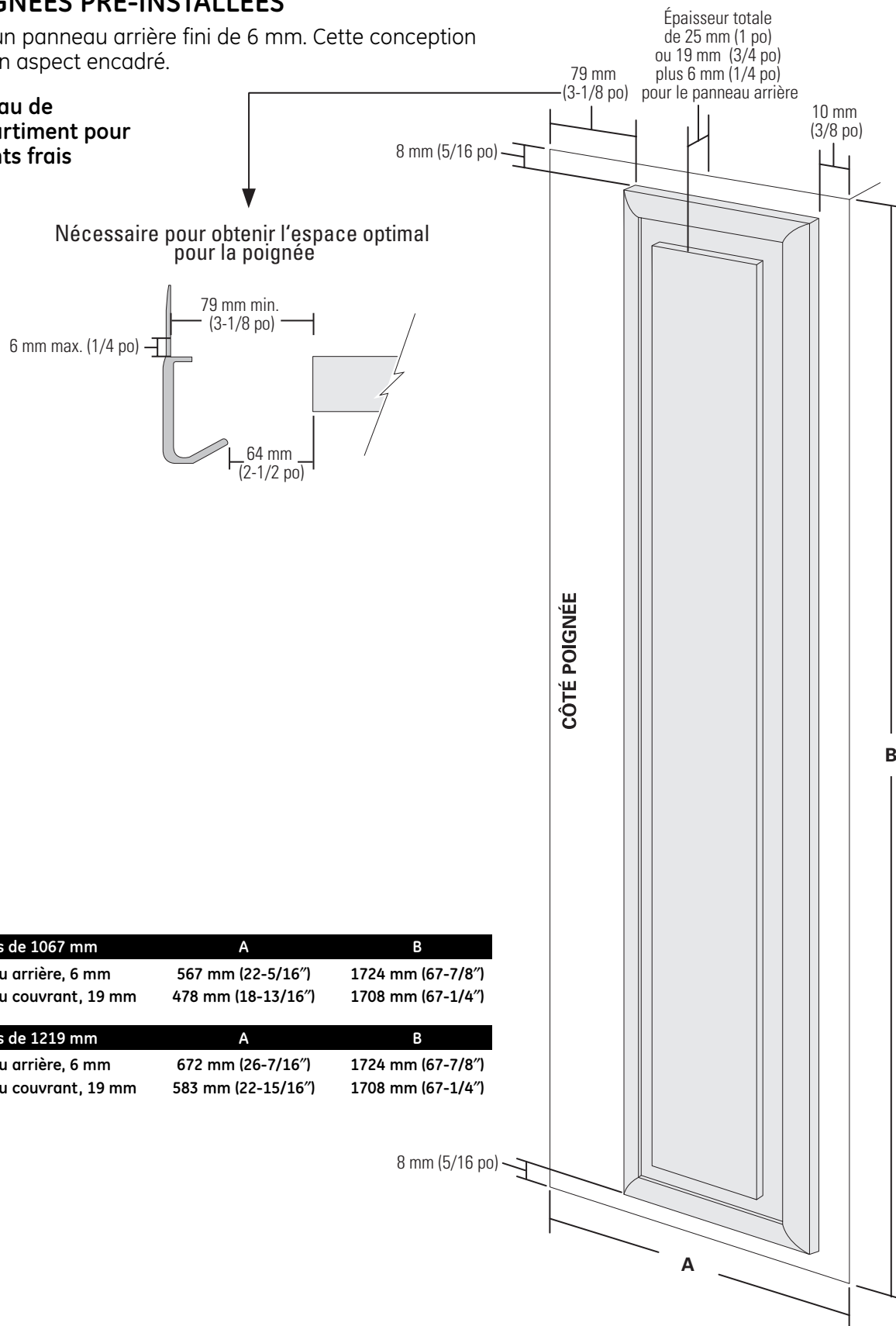
NOTE IMPORTANTE : Le poids total maximal pour tout panneau assemblé de porte du compartiment pour aliments frais est de 31,7 kg (70 lb). Le poids total maximal du panneau assemblé de porte du congélateur est de 20,6 kg (45 lb). Le poids total maximal du panneau assemblé de la grille est de 6,8 kg (15 lb).

Instructions d'installation

PANNEAUX DE BOIS PERSONNALISÉS ENCADRÉS DE 19 MM À POIGNÉES PRÉ-INSTALLÉES

Fixés à un panneau arrière fini de 6 mm. Cette conception donne un aspect encadré.

Panneau de compartiment pour aliments frais



Modèles de 1067 mm	A	B
Panneau arrière, 6 mm	567 mm (22-5/16")	1724 mm (67-7/8")
Panneau couvrant, 19 mm	478 mm (18-13/16")	1708 mm (67-1/4")

Modèles de 1219 mm	A	B
Panneau arrière, 6 mm	672 mm (26-7/16")	1724 mm (67-7/8")
Panneau couvrant, 19 mm	583 mm (22-15/16")	1708 mm (67-1/4")

Instructions d'installation

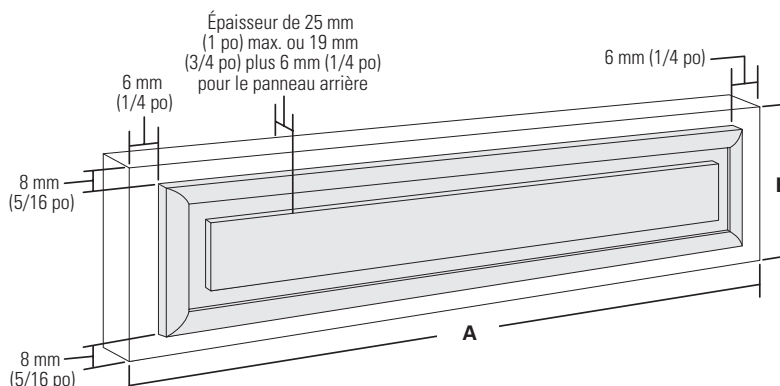
PANNEAUX DE BOIS PERSONNALISÉS ENCADRÉS DE 19 MM À POIGNÉES PRÉ-INSTALLÉES

Fixés à un panneau arrière fini de 6 mm. Cette conception donne un aspect encadré.

Panneau de grille

Modèles de 1067 mm	A	B
Panneau arrière, 6 mm	1014 mm (39-15/16")	273 mm (10-3/4")
Panneau couvrant, 19 mm	1002 mm (39-7/16")	257 mm (10-1/8")

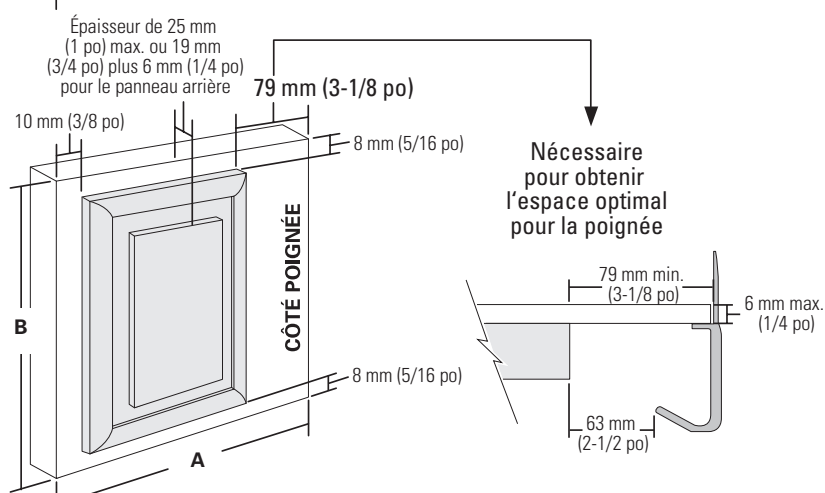
Modèles de 1219 mm	A	B
Panneau arrière, 6 mm	1167 mm (45-15/16")	273 mm (10-3/4")
Panneau couvrant, 19 mm	1154 mm (45-7/16")	257 mm (10-1/8")



Panneau supérieur pour le congélateur

Modèles de 1067 mm	A	B
Panneau arrière, 6 mm	418 mm (16-7/16")	452 mm (17-13/16")
Panneau couvrant, 19 mm	329 mm (12-15/16")	437 mm (17-3/16")

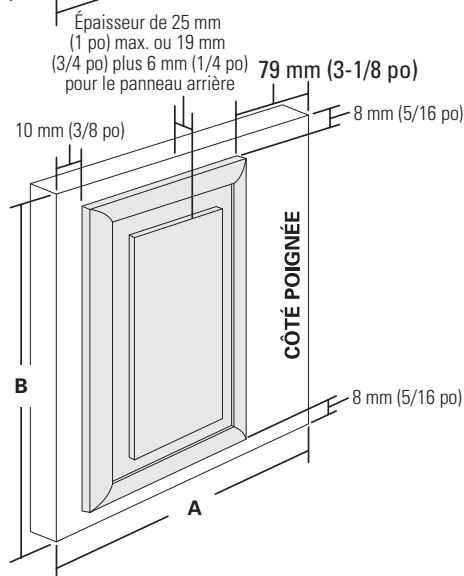
Modèles de 1219 mm	A	B
Panneau arrière, 6 mm	468 mm (18-7/16")	452 mm (17-13/16")
Panneau couvrant, 19 mm	379 mm (14-15/16")	437 mm (17-3/16")



Panneau inférieur pour le congélateur

Modèles de 1067 mm	A	B
Panneau arrière, 6 mm	418 mm (16-7/16")	892 mm (35-1/8")
Panneau couvrant, 19 mm	329 mm (12-15/16")	876 mm (34-1/2")

Modèles de 1219 mm	A	B
Panneau arrière, 6 mm	468 mm (18-7/16")	892 mm (35-1/8")
Panneau couvrant, 19 mm	379 mm (14-15/16")	876 mm (34-1/2")



Instructions d'installation

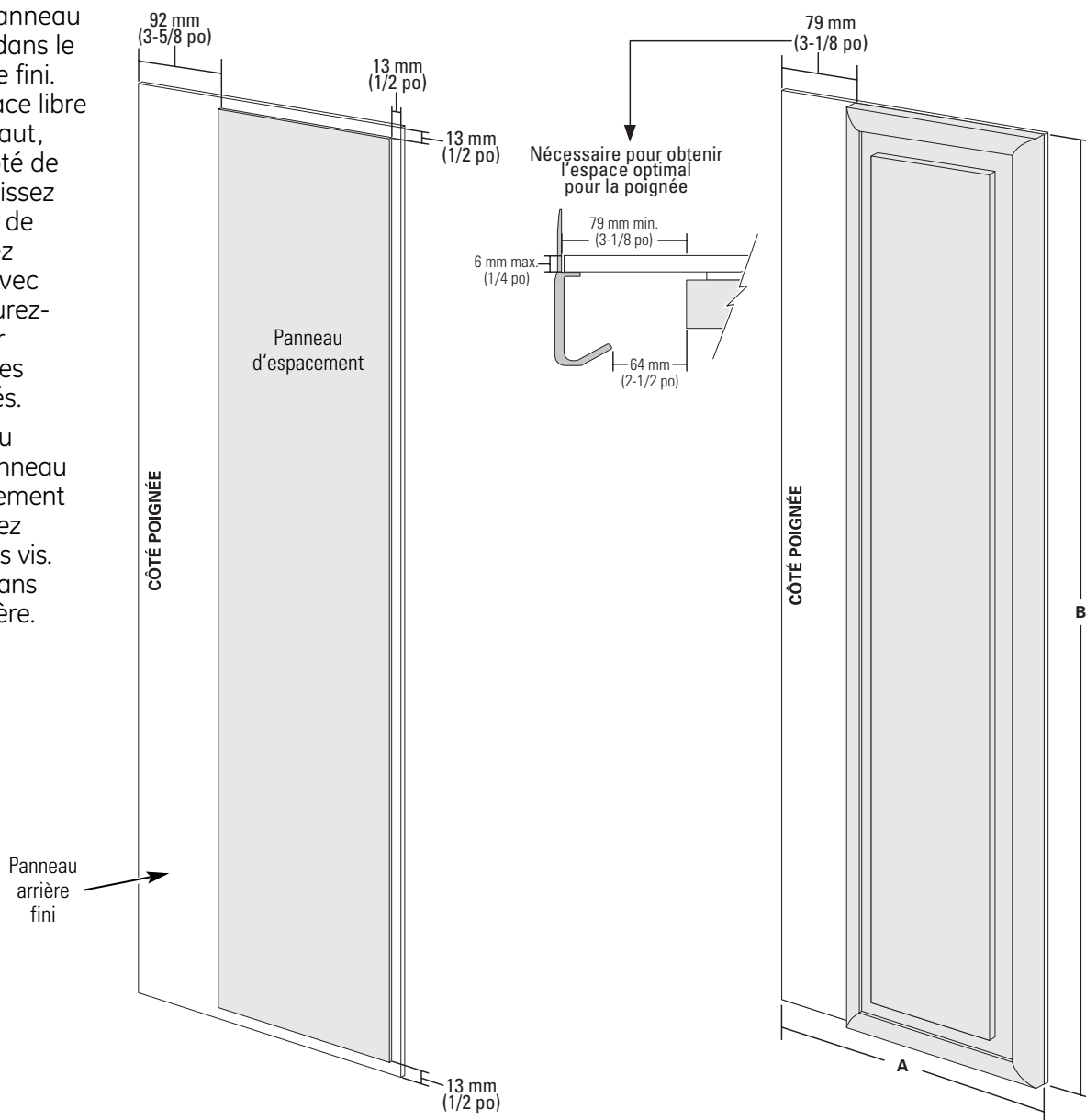
PANNEAUX PERSONNALISÉS COUVRANTS PLEINE LARGEUR DE 19 MM À POIGNÉES PRÉ-INSTALLÉES

Cette conception donne un aspect presque sans garniture.

Panneau de compartiment pour aliments frais

Assemblez le panneau d'espacement dans le panneau arrière fini. Laissez un espace libre de 13 mm en haut, en bas et du côté de la charnière. Laissez 92 mm du côté de la poignée. Fixez les panneaux avec de la colle. Assurez-vous d'observer les espaces libres de tous les côtés.

Fixez le panneau couvrant au panneau arrière/d'espacement assemblé. Utilisez de la colle et des vis. Fraisez les vis dans le panneau arrière.



Modèles de 1067 mm

	A	B
Panneau arrière, 6 mm	567 mm (22-5/16")	1724 mm (67-7/8")
Panneau d'espacement, 2,5 mm	462 mm (18-3/16")	1699 mm (66-7/8")
Panneau couvrant, 19 mm	491 mm (19-5/16")	1730 mm (68-1/8")

Modèles de 1219 mm

	A	B
Panneau arrière, 6 mm	672 mm (26-7/16")	1724 mm (67-7/8")
Panneau d'espacement, 2,5 mm	567 mm (22-5/16")	1699 mm (66-7/8")
Panneau couvrant, 19 mm	595 mm (23-7/16")	1730 mm (68-1/8")

Instructions d'installation

PANNEAUX PERSONNALISÉS COUVRANTS PLEINE LARGEUR DE 19 MM À POIGNÉES PRÉ-INSTALLÉES

Cette conception donne un aspect presque sans garniture.

Assemblez le panneau d'espacement au panneau arrière. Laissez 13 mm d'espace libre des quatre côtés du panneau d'espacement de la grille. Laissez 13 mm d'espace libre en haut et du côté de la charnière, 24 mm en bas et 92 mm du côté de la poignée du panneau supérieur pour le congélateur. Laissez 24 mm d'espace libre en haut, 13 mm en bas et du côté de la charnière et 92 mm du côté de la poignée du panneau inférieur pour le congélateur. Fixez les panneaux avec de la colle. Assurez-vous de respecter les espaces libres de tous les côtés.

Fixez le panneau d'apparence au panneau arrière/d'espacement assemblé. Utilisez de la colle et des vis. Fraisez les vis dans le panneau arrière.

Panneau de grille

Modèles de 1067 mm	A	B
Panneau arrière, 6 mm	1014 mm (39-15/16")	273 mm (10-3/4")
Panneau d'espacement, 2,5 mm	989 mm (38-15/16")	248 mm (9-3/4")
Panneau couvrant, 19 mm	1024 mm (40-3/16")	279 mm (11")

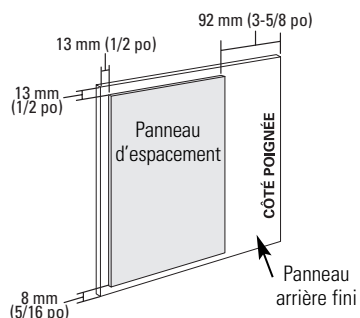
Modèles de 1219 mm	A	B
Panneau arrière, 6 mm	1167 mm (45-15/16")	273 mm (10-3/4")
Panneau d'espacement, 2,5 mm	1141 mm (44-15/16")	248 mm (9-3/4")
Panneau couvrant, 19 mm	1176 mm (46-3/16")	279 mm (11")

Panneau supérieur pour le congélateur

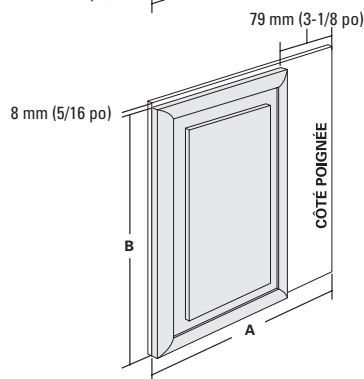
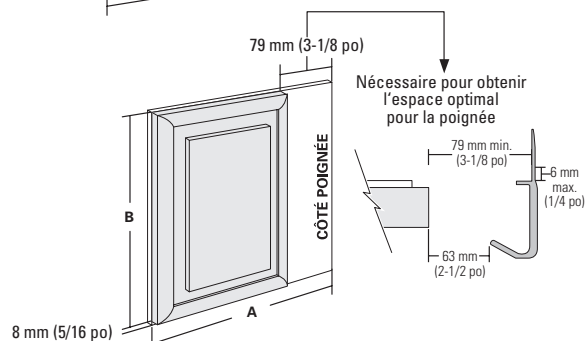
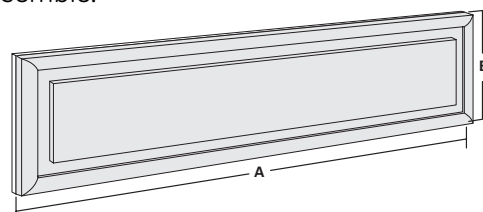
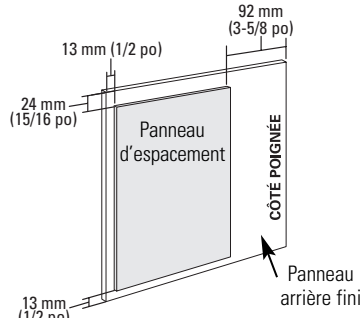
Modèles de 1067 mm	A	B
Panneau arrière, 6 mm	418 mm (16-7/16")	452 mm (17-13/16")
Panneau d'espacement, 2,5 mm	313 mm (12-5/16")	416 mm (16-3/8")
Panneau couvrant, 19 mm	341 mm (13-7/16")	448 mm (17-5/8")

Modèles de 1219 mm	A	B
Panneau arrière, 6 mm	468 mm (18-7/16")	452 mm (17-13/16")
Panneau d'espacement, 2,5 mm	364 mm (14-5/16")	416 mm (16-3/8")
Panneau couvrant, 19 mm	392 mm (15-7/16")	448 mm (17-5/8")

Assemblage d'espacement du panneau supérieur pour le congélateur



Assemblage d'espacement du panneau inférieur pour le congélateur



Panneau inférieur pour le congélateur

Modèles de 1067 mm	A	B
Panneau arrière, 6 mm	418 mm (16-7/16")	892 mm (35-1/8")
Panneau d'espacement, 2,5 mm	313 mm (12-5/16")	856 mm (33-11/16")
Panneau couvrant, 19 mm	341 mm (13-7/16")	887 mm (34-15/16")

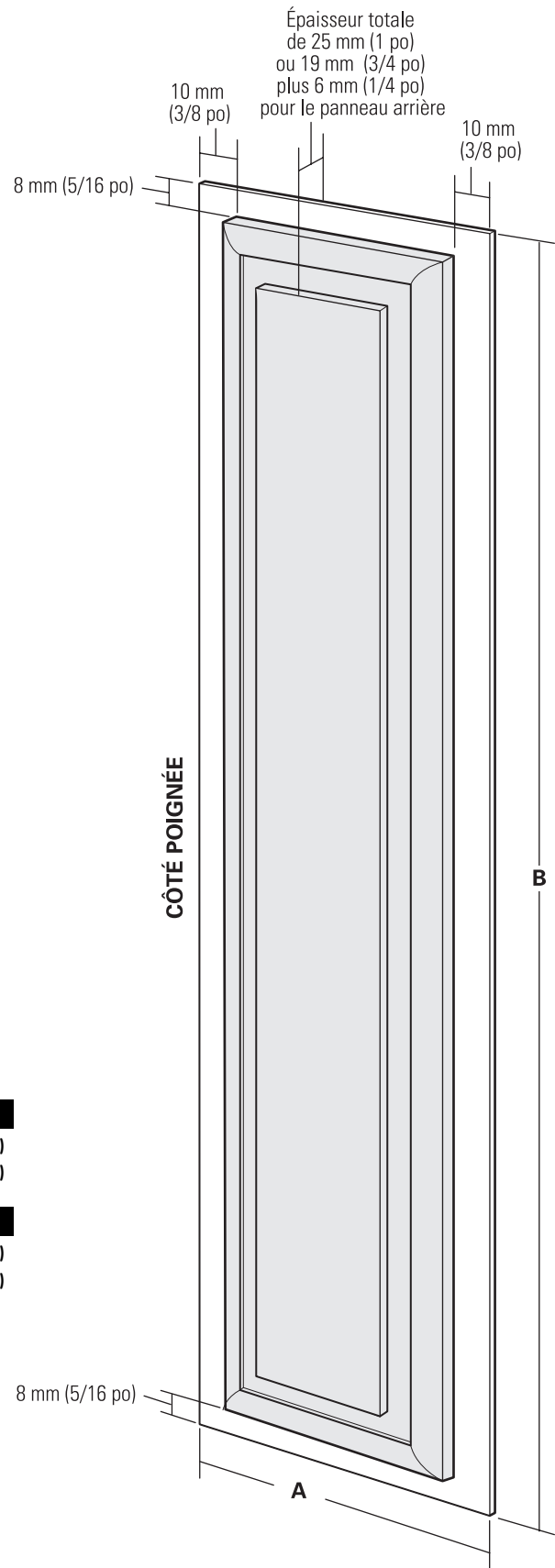
Modèles de 1219 mm	A	B
Panneau arrière, 6 mm	468 mm (18-7/16")	892 mm (35-1/8")
Panneau d'espacement, 2,5 mm	364 mm (14-5/16")	856 mm (33-11/16")
Panneau couvrant, 19 mm	392 mm (15-7/16")	887 mm (34-15/16")

Instructions d'installation

PANNEAUX DE BOIS PERSONNALISÉS ENCADRÉS DE 19 MM À POIGNÉES PERSONNALISÉES

Fixés à un panneau arrière fini de 6 mm. Cette conception donne un aspect encadré.

**Panneau de
compartiment pour
aliments frais**



Modèles de 1067 mm	A	B
Panneau arrière, 6 mm	567 mm (22-5/16")	1724 mm (67-7/8")
Panneau couvrant, 19 mm	557 mm (21-15/16")	1708 mm (67-1/4")

Modèles de 1219 mm	A	B
Panneau arrière, 6 mm	672 mm (26-7/16")	1724 mm (67-7/8")
Panneau couvrant, 19 mm	662 mm (26-1/16")	1708 mm (67-1/4")

Instructions d'installation

PANNEAUX DE BOIS PERSONNALISÉS ENCADRÉS DE 19 MM À POIGNÉES PERSONNALISÉES

Fixés à un panneau arrière fini de 6 mm. Cette conception donne un aspect encadré.

Panneau de grille

Modèles de 1067 mm	A	B
Panneau arrière, 6 mm	1014 mm (39-15/16")	273 mm (10-3/4")
Panneau couvrant, 19 mm	1002 mm (39-7/16")	257 mm (10-1/8")

Modèles de 1219 mm	A	B
Panneau arrière, 6 mm	1167 mm (45-15/16")	273 mm (10-3/4")
Panneau couvrant, 19 mm	1154 mm (45-7/16")	257 mm (10-1/8")

Panneau supérieur pour le congélateur

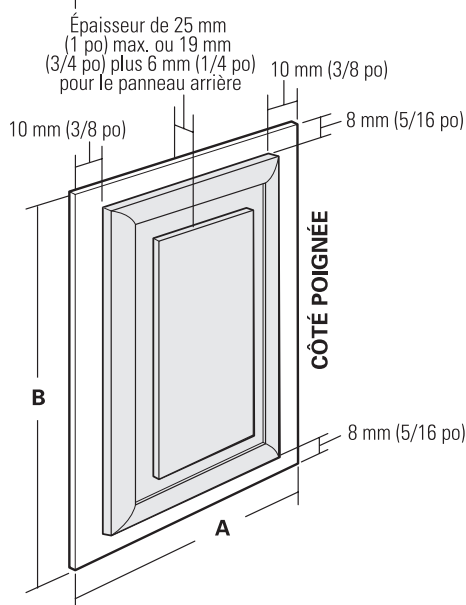
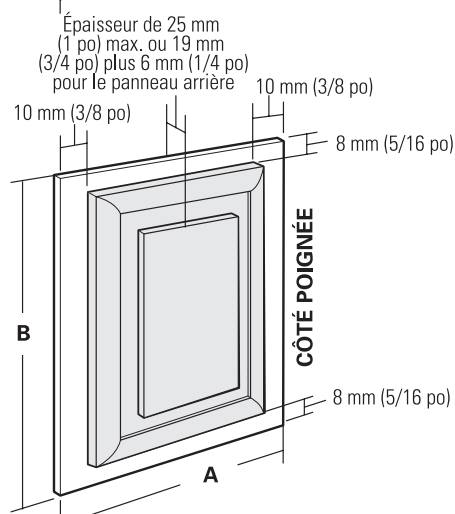
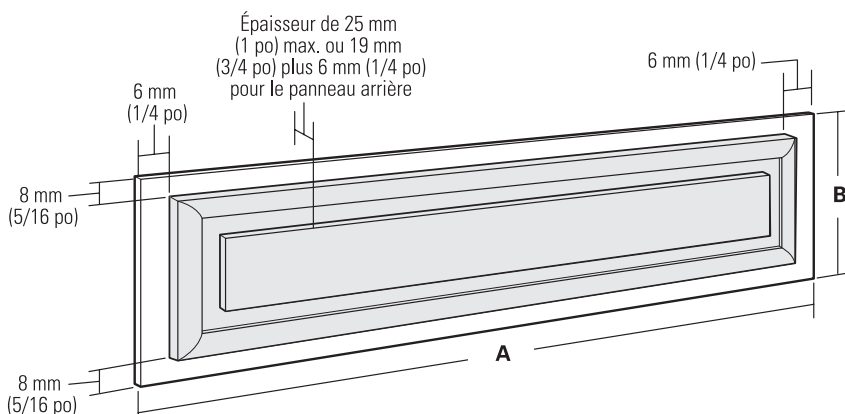
Modèles de 1067 mm	A	B
Panneau arrière, 6 mm	418 mm (16-7/16")	452 mm (17-13/16")
Panneau couvrant, 19 mm	408 mm (16-1/16")	437 mm (17-3/16")

Modèles de 1219 mm	A	B
Panneau arrière, 6 mm	468 mm (18-7/16")	452 mm (17-13/16")
Panneau couvrant, 19 mm	459 mm (18-1/16")	437 mm (17-3/16")

Panneau inférieur pour le congélateur

Modèles de 1067 mm	A	B
Panneau arrière, 6 mm	418 mm (16-7/16")	892 mm (35-1/8")
Panneau couvrant, 19 mm	408 mm (16-1/16")	876 mm (34-1/2")

Modèles de 1219 mm	A	B
Panneau arrière, 6 mm	468 mm (18-7/16")	892 mm (35-1/8")
Panneau couvrant, 19 mm	459 mm (18-1/16")	876 mm (34-1/2")



Instructions d'installation

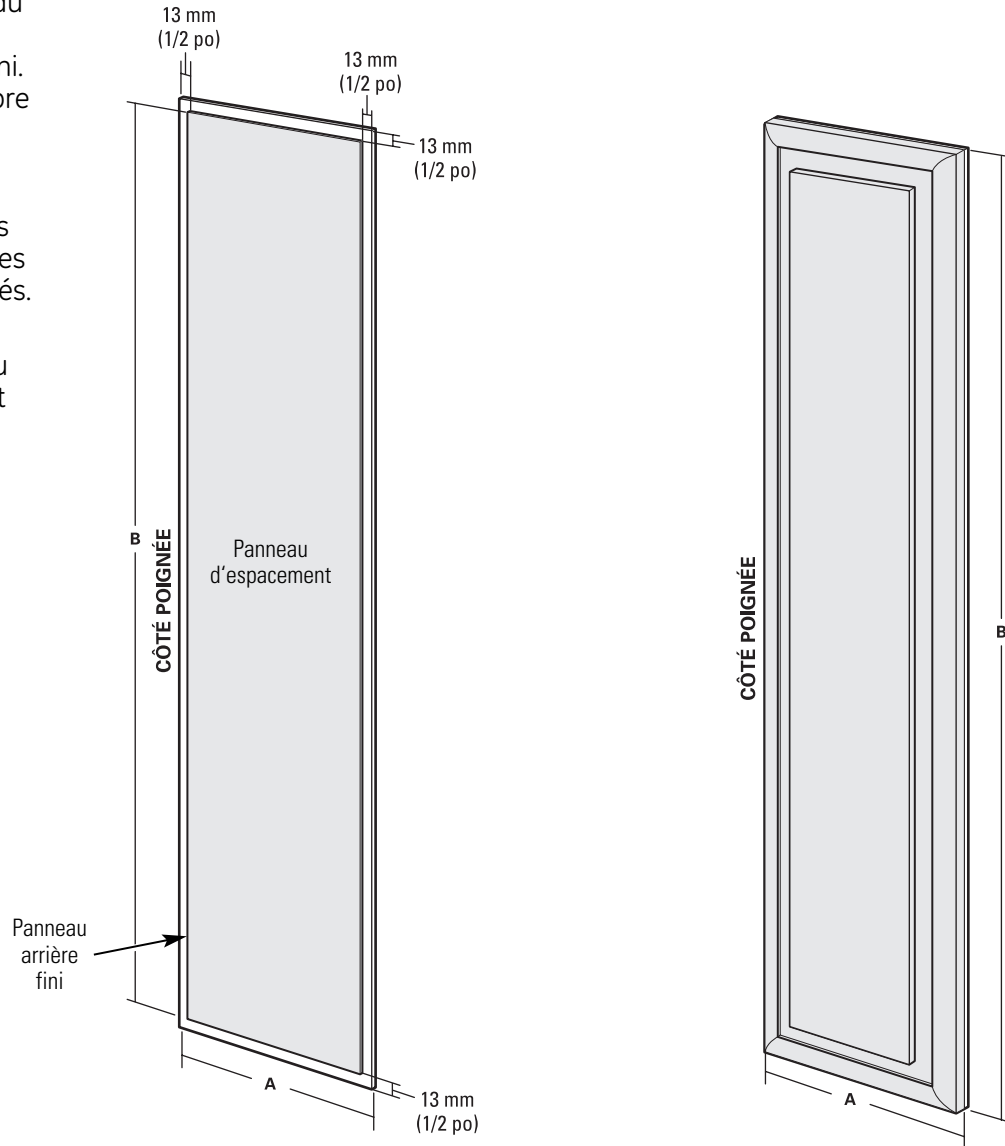
PANNEAUX PERSONNALISÉS COUVRANTS PLEINE LARGEUR DE 19 MM À POIGNÉES PERSONNALISÉES

Cette conception donne un aspect presque sans garniture.

Panneau de compartiment pour aliments frais

Assemblez le panneau d'espacement dans le panneau arrière fini. Laissez un espace libre de 13 mm en tous les côtés. Fixez les panneaux avec de la colle. Assurez-vous d'observer les espaces libres de tous les côtés.

Fixez le panneau couvrant au panneau arrière/d'espacement assemblé. Utilisez de la colle et des vis. Fraisez les vis dans le panneau arrière.



Modèles de 1067 mm

	A	B
Panneau arrière, 6 mm	567 mm (22-5/16")	1724 mm (67-7/8")
Panneau d'espacement, 2,5 mm	554 mm (21-13/16")	1699 mm (66-7/8")
Panneau couvrant, 19 mm	567 mm (22-5/16")	1730 mm (68-1/8")

Modèles de 1219 mm

	A	B
Panneau arrière, 6 mm	672 mm (26-7/16")	1724 mm (67-7/8")
Panneau d'espacement, 2,5 mm	656 mm (25-13/16")	1699 mm (66-7/8")
Panneau couvrant, 19 mm	672 mm (26-7/16")	1730 mm (68-1/8")

Instructions d'installation

PANNEAUX PERSONNALISÉS COUVRANTS PLEINE LARGEUR DE 19 MM À POIGNÉES PERSONNALISÉES

Cette conception donne un aspect presque sans garniture.

Assemblez le panneau d'espacement au panneau arrière. Laissez 13 mm d'espace libre des quatre côtés du panneau d'espacement de la grille. Laissez 13 mm d'espace libre en haut, du côté de la charnière et du côté de la poignée, et 24 mm en bas du panneau supérieur pour le congélateur. Laissez 24 mm d'espace libre en haut et 13 mm en bas, du côté de la charnière et du côté de la poignée du panneau inférieur pour le congélateur. Fixez les panneaux avec de la colle. Assurez-vous de respecter les espaces libres de tous les côtés.

Fixez le panneau d'apparence au panneau arrière/d'espacement assemblé. Utilisez de la colle et des vis. Fraisez les vis dans le panneau arrière.

Panneau de grille

Modèles de 1067 mm	A	B
Panneau arrière, 6 mm	1014 mm (39-15/16")	273 mm (10-3/4")
Panneau d'espacement, 2,5 mm	989 mm (38-15/16")	248 mm (9-3/4")
Panneau couvrant, 19 mm	1024 mm (40-3/16")	279 mm (11")

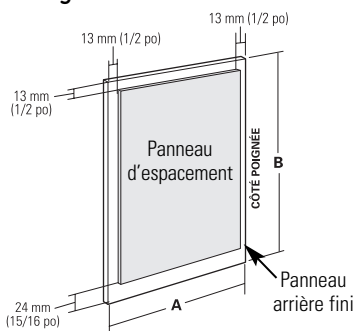
Modèles de 1219 mm	A	B
Panneau arrière, 6 mm	1167 mm (45-15/16")	273 mm (10-3/4")
Panneau d'espacement, 2,5 mm	1141 mm (44-15/16")	248 mm (9-3/4")
Panneau couvrant, 19 mm	1176 mm (46-3/16")	279 mm (11")

Panneau supérieur pour le congélateur

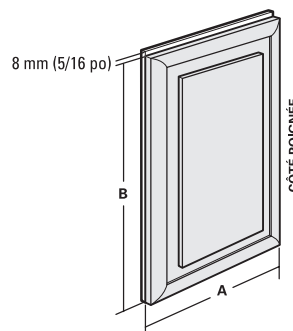
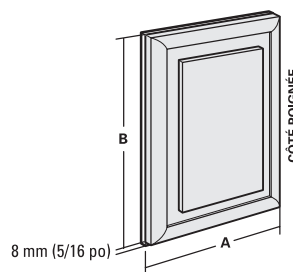
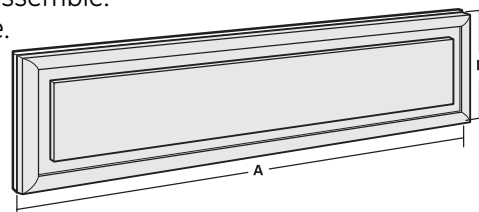
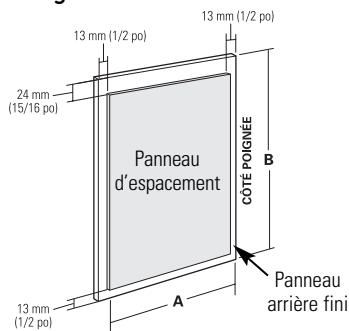
Modèles de 1067 mm	A	B
Panneau arrière, 6 mm	418 mm (16-7/16")	452 mm (17-13/16")
Panneau d'espacement, 2,5 mm	392 mm (15-7/16")	416 mm (16-3/8")
Panneau couvrant, 19 mm	418 mm (16-7/16")	448 mm (17-5/8")

Modèles de 1219 mm	A	B
Panneau arrière, 6 mm	468 mm (18-7/16")	452 mm (17-13/16")
Panneau d'espacement, 2,5 mm	443 mm (17-7/16")	416 mm (16-3/8")
Panneau couvrant, 19 mm	468 mm (18-7/16")	448 mm (17-5/8")

Assemblage d'espacement du panneau supérieur pour le congélateur



Assemblage d'espacement du panneau inférieur pour le congélateur



Panneau inférieur pour le congélateur

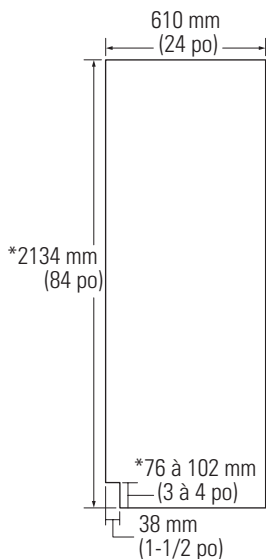
Modèles de 1067 mm	A	B
Panneau arrière, 6 mm	418 mm (16-7/16")	892 mm (35-1/8")
Panneau d'espacement, 2,5 mm	392 mm (15-7/16")	856 mm (33-11/16")
Panneau couvrant, 19 mm	418 mm (16-7/16")	887 mm (34-15/16")

Modèles de 1219 mm	A	B
Panneau arrière, 6 mm	468 mm (18-7/16")	892 mm (35-1/8")
Panneau d'espacement, 2,5 mm	443 mm (17-7/16")	856 mm (33-11/16")
Panneau couvrant, 19 mm	468 mm (18-7/16")	887 mm (34-15/16")

Instructions d'installation

PANNEAUX LATÉRAUX

Il faut utiliser des panneaux latéraux (pas fournis) quand les côtés du réfrigérateur sont exposés. Des panneaux de 6 mm (1/4 po) glissent dans les moulures latérales de la cuve. Commander les panneaux chez le constructeur des armoires.



*En fonction de la hauteur d'installation.

SOL

Pour obtenir une installation correcte, ce réfrigérateur doit être placé sur une surface horizontale, en matériau dur qui est au même niveau que le reste du sol. Cette surface doit être suffisamment solide pour supporter un réfrigérateur complètement rempli, soit environ 680 kg (1500 lb).

NOTE : Il faut protéger le fini du sol. Coupez un grand morceau de carton et le placez sous le réfrigérateur, sur l'aire de travail.

MISE À LA TERRE DU RÉFRIGÉRATEUR

IMPORTANT—À lire attentivement

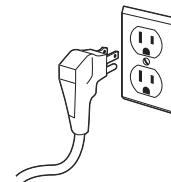
POUR DES RAISONS DE SÉCURITÉ, CET APPAREIL DOIT ÊTRE CORRECTEMENT MIS À LA TERRE.

Le cordon d'alimentation de cet appareil est équipé d'une fiche à trois broches qui correspond à la prise de courant à trois trous (mise à la terre) standard pour minimiser les risques de chocs électriques par cet appareil.

Il faut faire vérifier par un électricien qualifié que les prises de courant et les circuits sont correctement mis à la terre.

Quand la prise de courant n'a que deux trous, l'installateur a la responsabilité et l'obligation de la remplacer par une prise à trois trous correctement mise à la terre.

IL NE FAUT JAMAIS, POUR UNE RAISON QUELCONQUE, COUPER OU ENLEVER LA TROISIÈME BROCHE (MISE À LA TERRE) DU CORDON D'ALIMENTATION.



IL NE FAUT PAS UTILISER UN ADAPTATEUR POUR BRANCHER LE RÉFRIGÉRATEUR SUR UNE PRISE À DEUX TROUS.

IL NE FAUT PAS UTILISER DE RALLONGE AVEC CET APPAREIL.

Instructions d'installation

1 ENLÈVEMENT DE L'EMBALLAGE

⚠ MISE EN GARDE :

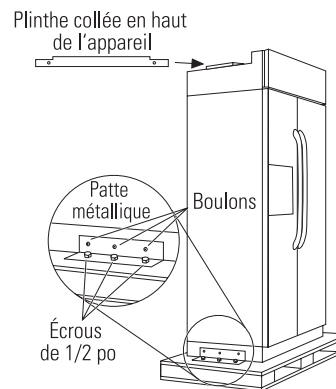
Le réfrigérateur est beaucoup **plus lourd en haut qu'en bas**. Il faut être prudent lors des déplacements. Si un diable est utilisé, il faut soulever le réfrigérateur sur le côté congélateur seulement.

- Coupez avec précaution les bandes en haut et en bas. Enlevez le carton extérieur.
- Glissez les deux montants de coins arrière (2).
- Glissez le carton vers le haut.

NOTE : IL NE FAUT PAS METTRE LA CUVE À PLAT SUR LE SOL POUR ENLEVER LA PALETTE !

- L'appareil est maintenu sur la palette par six boulons de 7/16 po et six écrous de 1/2 po.
- Enlevez les six boulons de 7/16 po qui maintiennent les pattes métalliques sur le réfrigérateur.
- Enlevez les trois écrous de 1/2 po et les rondelles du côté congélateur.
- Enlevez l'écrou du bloc de bois en arrière sur le côté de congélateur.
- Inclinez l'appareil, côté congélateur vers le haut, vers le côté compartiment pour aliments frais.
- Poussez les boulons vers le bas, enlevez les pattes métalliques du côté congélateur. Enlevez le bloc de bois du côté de congélateur.
- Glissez le diable sous l'appareil, côté congélateur.
- En utilisant les montants des coins (2 aux coins avant) pour éviter les dommages, fixez l'appareil sur le diable.

NOTE : Si les montants de coins sont trop longs, coupez les montants à une longueur appropriée.



- Avec le diable, soulevez l'appareil de la palette.
- Enlevez la plinthe collée sur le haut de l'appareil.
- Mettez la plinthe de côté en attendant l'installation finale.

⚠ MISE EN GARDE :

IL NE FAUT PAS ESSAYER DE ROULER OU TRAÎNER L'APPAREIL AVANT QU'IL NE SOIT SORTI DE LA PALETTE.

⚠ MISE EN GARDE : VÉRIFIEZ

QUE LA CONDUITE D'EAU N'EST PAS PINCÉE PAR LE DIABLE.

Instructions d'installation

2] INSTALLATION DE LA CONDUITE D'EAU

- Il faut avoir une alimentation d'eau froide pour permettre le fonctionnement de la machine à glaçons automatique. La pression d'eau doit être entre 276 kPa et 827 kPa (40 et 120 psi).
- Mettez en place le tube de cuivre de 1/4 po de diamètre externe ou le tube GE SmartConnect™ entre la conduite d'eau froide et le raccord de branchement d'eau.
- Le tube doit être suffisamment long pour s'allonger jusqu'à l'avant du réfrigérateur. Il faut prévoir une longueur de tube suffisante pour permettre la courbe menant au raccord d'eau.

NOTE : Les kits de tubes pour réfrigérateurs GE SmartConnect™ sont les seuls tubes en plastique approuvé par GE. Il ne faut pas utiliser une autre conduite d'alimentation d'eau en plastique. La conduite est continuellement sous pression. Certains types de plastique peuvent se fissurer ou se rompre avec le vieillissement et causer des dégâts d'eau dans la maison.

Les kits de tube pour réfrigérateur GE SmartConnect™ sont offerts avec les longueurs suivantes :

- 0,6 m (2 pi) WX08X10002
- 1,8 m (6 pi) WX08X10006
- 4,6 m (15 pi) WX08X10015
- 7,6 m (25 pi) WX08X10025

Coupez l'alimentation d'eau principale.

Ouvrez le robinet le plus proche assez longtemps pour purger l'eau du tuyau.

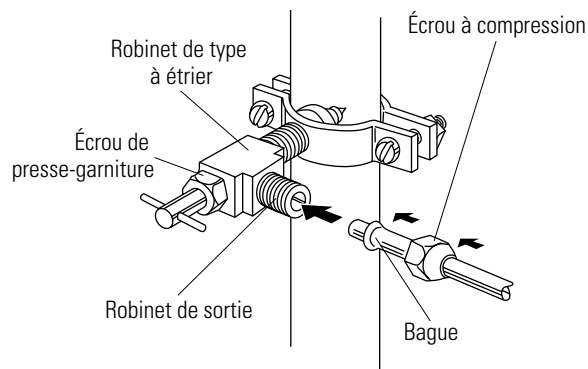
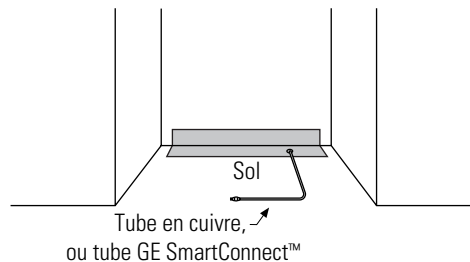
- Installez un robinet de coupure entre la vanne de la machine à glaçons et le tuyau d'eau froide, dans le sous-sol ou l'armoire. Le robinet de coupure doit être situé à un endroit facilement accessible.

NOTE : Il est préférable d'installer le robinet sur un tuyau d'eau vertical. Si le robinet est installé sur un tuyau d'eau horizontal, faire le branchement en haut ou sur le côté pour éviter l'écoulement des sédiments du tuyau d'eau.

- Percez un trou de 1/4 po dans le tuyau d'eau.
- Montez le robinet de coupure d'eau sur le tuyau, en utilisant un collier de tuyau.
- Serrez les vis du collier jusqu'à ce que la rondelle commence à gonfler.

NE PAS SERREZ EN EXCÈS.

- Placez un écrou à compression et une bague pour le tube de cuivre sur l'extrémité du tube et le branchez sur le robinet de coupure.



Assurez-vous que le tube soit bien inséré dans le robinet. Serrez la bague.

- Pour le tube en plastique du kit de tube de réfrigérateur GE SmartConnect™, insérez l'extrémité moulée du tube dans le robinet et serrez l'écrou à compression à la main et serrez ensuite d'un tour avec une clé.
- Ouvrez le robinet d'eau principal et rincez les débris. Faire couler environ un litre d'eau du tube dans un seau. Fermez le robinet de l'alimentation d'eau.

NOTE : Les robinets à étrier sont inclus dans de nombreux kits d'alimentation d'eau. Avant d'en acheter un, vérifiez que le robinet à étrier est conforme aux codes de plomberie locaux.

NOTE : Vous devez vous conformer aux Codes de plomberie 248CMR du Commonwealth of Massachusetts. Les robinets à étrier sont illégaux et leur utilisation n'est pas autorisée au Massachusetts. Consultez votre plombier local.

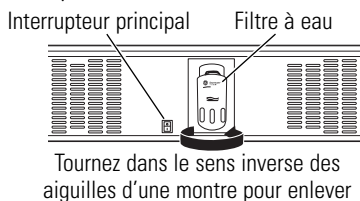
Instructions d'installation

2A INSTALLATION DE LA CONDUITE D'EAU AVEC UN SYSTÈME D'OSMOSE INVERSE

IGNOREZ CETTE ÉTAPE QUAND UN SYSTÈME D'OSMOSE INVERSE N'EST PAS UTILISÉ

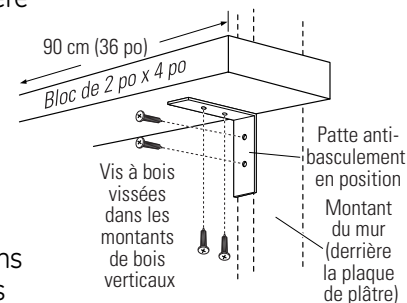
NOTE : Si la conduite d'alimentation d'eau d'un réfrigérateur vient d'un système d'eau à osmose inversée, utilisez le bouchon de dérivation du filtre du réfrigérateur. L'utilisation de la cartouche de filtration d'eau du réfrigérateur avec un système d'osmose inverse peut causer la formation de glaçons creux.

- Ouvrez la grille supérieure pour observer la cartouche filtrante. Tournez la cartouche filtrante dans le sens inverse des aiguilles d'une montre pour la déposer.
- Insérez le bouchon de dérivation du filtre. Tournez le bouchon de dérivation du filtre dans le sens des aiguilles d'une montre jusqu'à ce qu'il soit fermement en place.



4 INSTALLEZ PATTES ANTI-BASCULEMENT (suite)

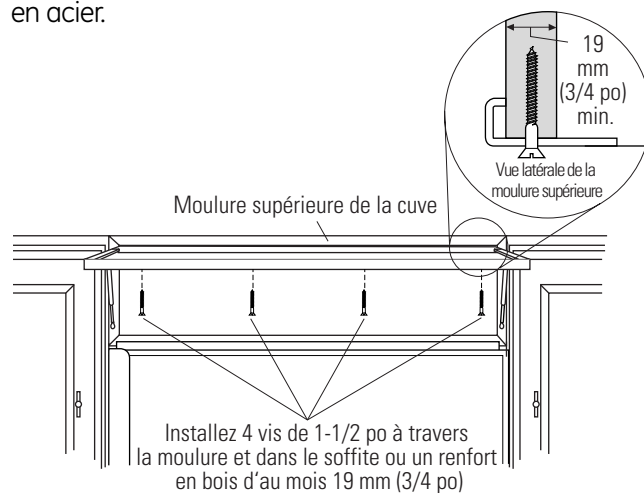
- Montez les pattes avec ce bloc de bois sur le mur arrière de manière qu'il soit à 2083 mm (82 po) au-dessus du sol fini. Utilisez des vis à bois n° 12 ou 14.
- Les vis doivent pénétrer d'au moins 25 mm (1 po) dans les montants verticaux du mur.



4A AUTRES PRÉCAUTIONS CONTRE LE BASCULEMENT

IGNOREZ CETTE ÉTAPE QUAND LES PATTES ANTI-BASCULEMENT SONT UTILISÉES

Tous les réfrigérateurs encastrés GE Profile™ sont **plus lourds en haut qu'en bas**. Il faut les maintenir en place pour éviter un basculement possible vers l'avant. Utilisez cette seconde méthode pour maintenir en place le réfrigérateur quand les montants du mur sont en acier.



4 INSTALLEZ PATTES ANTI-BASCULEMENT PRÉCAUTIONS CONTRE LE BASCULEMENT

⚠ AVERTISSEMENT :

Le réfrigérateur est **plus lourd en haut qu'en bas** et il faut le maintenir pour éviter la possibilité de basculement vers l'avant.

- Coupez un bloc de 2 po x 4 po de 90 cm (36 po) de long et montez ce bloc sur les pattes de montage fournies, avec des vis à bois n° 12 ou 14.

- Réglez la hauteur du réfrigérateur pour qu'elle corresponde à l'ouverture entre 2121 à 2146 mm (83-1/2 po et 84-1/2 po). Le réfrigérateur doit être de niveau et d'aplomb avec les armoires. La moulure supérieure à l'avant est 54 mm (2-1/8 po) plus haut que la moulure arrière et recouvre les moulures supérieures des armoires.
- Ouvrez le panneau de la grille pour obtenir accès à la moulure supérieure de la cuve.
- Utilisez un foret de 3/16 po pour percer 4 trous équidistants dans la moulure métallique supérieure de la cuve.

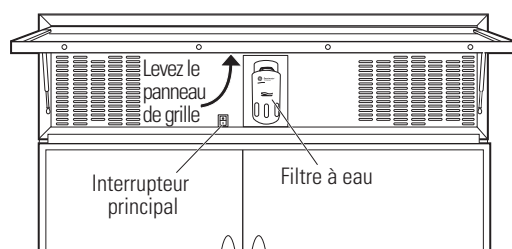
Instructions d'installation

4A AUTRES PRÉCAUTIONS CONTRE LE BASCULEMENT (suite)

- Utilisez un foret de 1/16 po pour percer des trous guides dans les trous du métal et dans le soffite de bois. Les trous doivent être centrés dans le soffite ou un renfort de bois de 19 mm (3/4 po) minimum. Le renfort couvrant toute l'ouverture doit être fermement monté sur les armoires des deux côtés.
- Installez quatre vis de 1-1/2 po pour plaque de plâtre dans les trous guides.

5 BRANCHEMENT DE L'ALIMENTATION ÉLECTRIQUE

- Branchez la fiche du cordon d'alimentation du réfrigérateur dans une prise de courant correctement mise à la terre. Mettez **l'interrupteur principal sur I (marche)**.



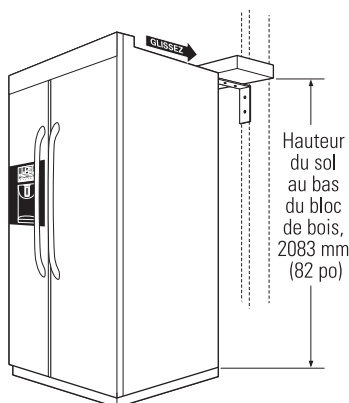
- Pour s'assurer que le réfrigérateur est en marche, ouvrez la porte du réfrigérateur pour vérifier que la lampe intérieure s'allume.

⚠ MISE EN GARDE :

- **Après avoir vérifié la mise sous tension, mettez l'interrupteur principal sur O (l'arrêt).**

6 MISE EN PLACE DANS L'ESPACE D'INSTALLATION

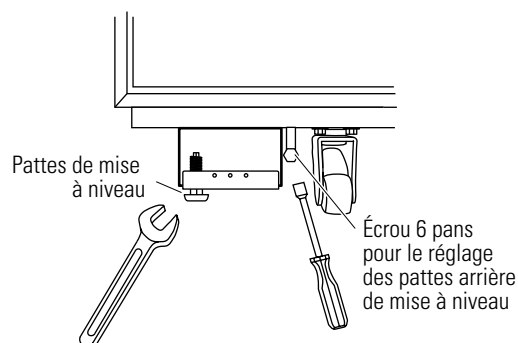
- Glissez l'appareil dans l'espace d'installation.
- Mettez l'excès du cordon d'alimentation sur le dessus du réfrigérateur.
- Prendre soin de vérifier que le cordon d'alimentation n'est pas pincé derrière l'appareil.



7 MISE À NIVEAU DU RÉFRIGÉRATEUR

Tous les modèles ont quatre points de mise à niveau. L'avant et l'arrière sont supportés par des pattes de mise à niveau. Les deux sont accessibles de l'avant du réfrigérateur.

- Pour mettre l'arrière du réfrigérateur de niveau, tournez l'écrou 6 pans de 1/2 po qui se trouve derrière les roues avant. Tournez dans le sens des aiguilles d'une montre pour lever et dans le sens inverse des aiguilles d'une montre pour abaisser le réfrigérateur.
- Pour mettre de niveau l'avant, utilisez une clé plate de 7/16 po.
- Réglez la hauteur du réfrigérateur pour correspondre à l'ouverture entre 2121 et 2146 mm (83-1/2 po et 84-1/2 po). Le réfrigérateur doit être de niveau et d'aplomb avec les armoires.



NOTE IMPORTANTE : Votre réfrigérateur doit être vertical. S'il ne l'est pas, les portes peuvent ne pas bien s'aligner en haut. Voir l'étape 16.

⚠ MISE EN GARDE :

Les pattes arrière de mise à niveau et les pattes avant de mise à niveau sont limitées à un réglage de hauteur maximal de 25 mm (1 po). Si l'installation demande une hauteur supérieure à 2146 mm (84-1/2 po), l'installateur doit élever le réfrigérateur sur une plaque de contreplaqué ou des patins. Il est possible d'ajouter une moulure d'armoire sur le haut de l'ouverture pour réduire l'ouverture. **Toute tentative de soulever le réfrigérateur de plus de 25 mm (1 po), endommagera les pattes de mise à niveau avant et arrière.**

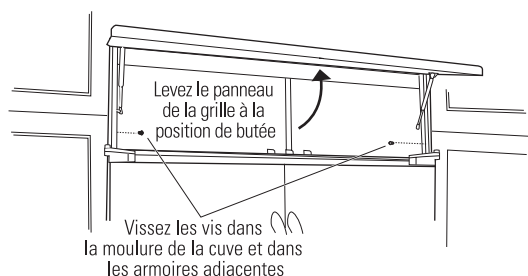
Instructions d'installation

8 FIXATION DU RÉFRIGÉRATEUR AUX ARMOIRES

Dans la mesure du possible, exécutez cette étape pour augmenter la sécurité contre les basculements.

Le réfrigérateur doit être maintenu en place pour éviter le basculement.

- Levez le panneau de la grille pour obtenir accès à la moulure de la cuve.
- Enfoncez une vis dans la moulure et dans l'armoire adjacente, en utilisant les trous fournis.
- Suivez la procédure de l'autre côté.

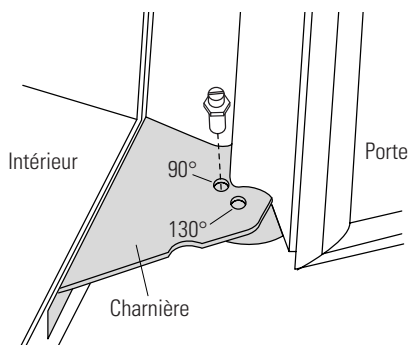


9 RÉGLAGE DE L'OUVERTURE DES PORTES

NOTE : Ce réfrigérateur a deux butées de position d'ouverture. Quand l'espace ne permet pas l'ouverture de la porte à 130°, il est possible de réduire l'ouverture à 90°.

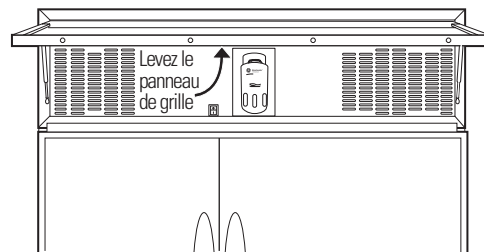
IGNOREZ CETTE ÉTAPE SI L'OUVERTURE DE LA PORTE EST SATISFAISANTE POUR L'INSTALLATION.

- Ouvrez la porte pour exposer la charnière inférieure. Notez l'emplacement de l'axe de butée de la porte. L'axe est installé à la position de 130° à l'usine.
- Fermez partiellement la porte. Du dessus, avec un tournevis, dévissez l'axe de la butée de porte et l'installez à la position de 90°.

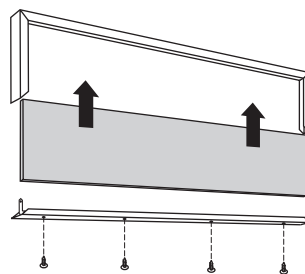


10 INSTALLATION DU PANNEAU DE LA GRILLE

- Levez le panneau de la grille à la position en butée.



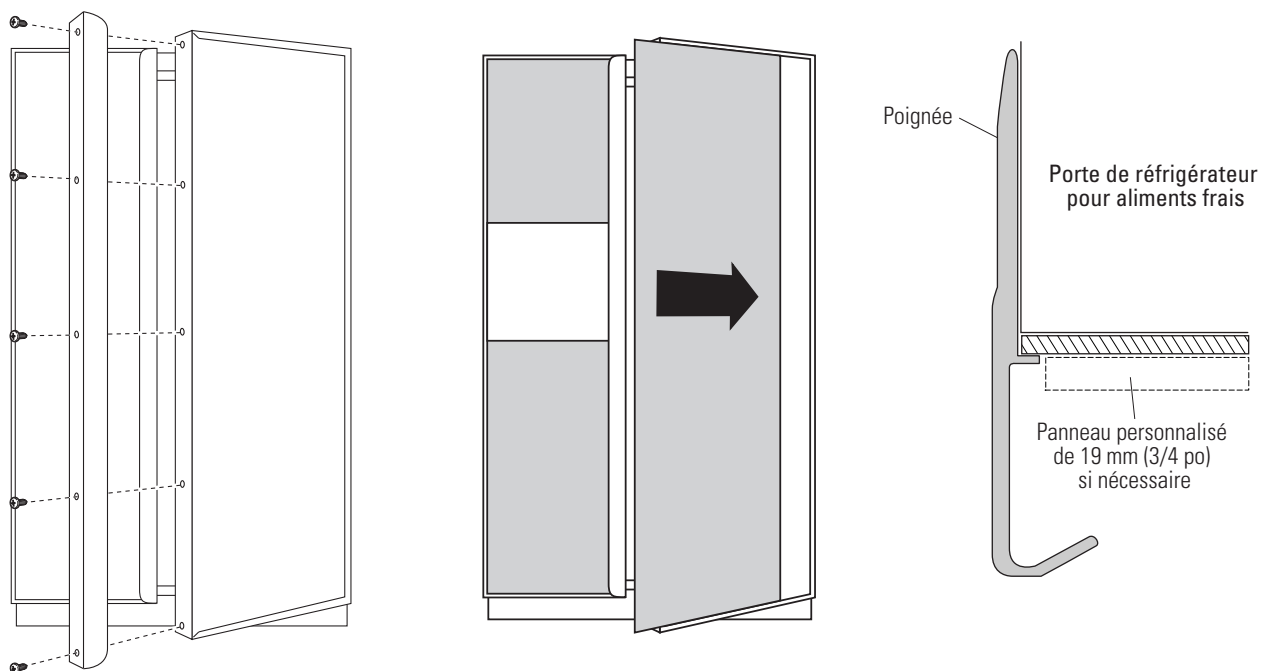
- Enlevez les 4 vis de la moulure inférieure. Gardez toutes les vis.
- Déposez la moulure inférieure.
- **NOTE :** Les panneaux en acier inoxydable et en acrylique sont couverts d'une pellicule protectrice. Enlevez la pellicule avant d'installer le panneau.
- Glissez le panneau sur le panneau métallique de soutien et sous la moulure.



- Si nécessaire, tapez avec un bloc de bois jusqu'à ce que le panneau glisse sous la moulure supérieure.
- Réassemblez la moulure inférieure. Serrez les vis.

Instructions d'installation

11 INSTALLATION DES PANNEAUX DE PORTE À POIGNÉES PRÉ-INSTALLÉES



Installation des panneaux décoratifs de 6 mm (1/4 po) :

• Dépose des poignées

Ouvrez la porte à 90°. Enlevez les 5 vis à tête cruciforme des poignées de porte du compartiment d'aliments frais et du congélateur. Gardez les vis. Enlevez les poignées.

• Installation des panneaux de porte

NOTE : Poussez doucement le panneau de la porte du compartiment d'aliments frais dans la fente derrière la moulure. Poussez doucement jusqu'au côté opposé. Répétez la procédure pour les panneaux supérieur et inférieur du congélateur.

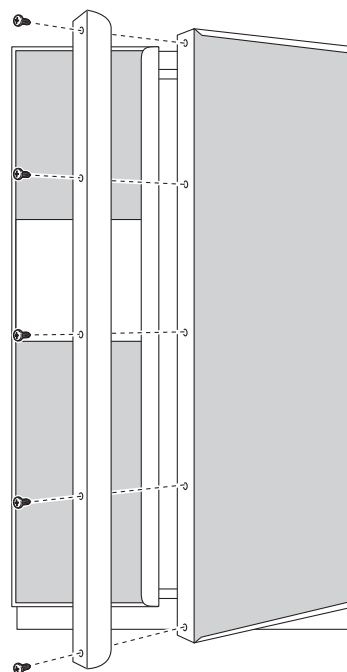
• Repose des poignées

Reposez la poignée de la porte du compartiment pour aliments frais, en utilisant les 5 vis à tête cruciforme originales. Serrez. Répétez pour la poignée de la porte du congélateur.

NOTE : Vérifiez que le bord de la poignée ne pince pas le joint de la porte.

• Panneaux décoratifs sur mesure de 19 mm (3/4 po)

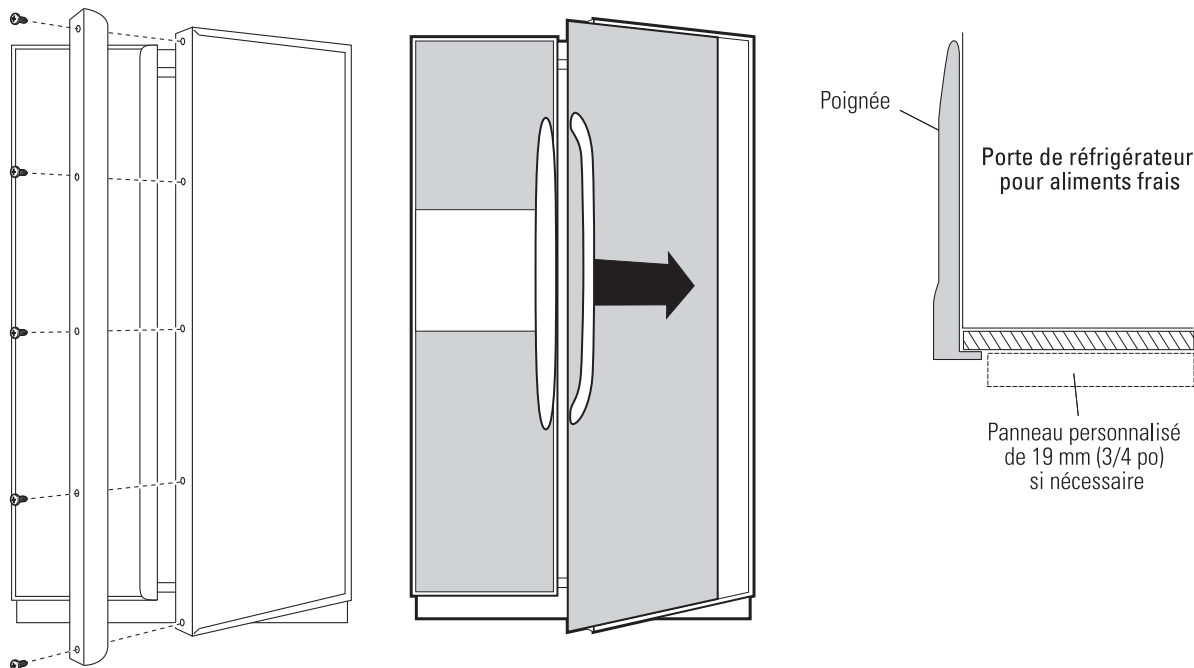
Dans le cas d'installation de panneaux en bois, les couper aux dimensions indiquées aux pages 72-79. Les panneaux glissent dans le cadre des portes et de la grille.



NOTE IMPORTANTE : L'épaisseur des panneaux sur mesure ne doit pas dépasser 29 mm (1-1/8 po) et 31,7 kg (70 lb) pour la porte du compartiment pour aliments frais, 20,3 kg (45 lb) total pour la porte du congélateur et 6,8 kg (15 lb) pour la grille.

Instructions d'installation

11A INSTALLATION DES PANNEAUX DE PORTE



Installation des panneaux décoratifs de 6 mm (1/4 po) :

- **Dépose des poignées pré-installées**

Ouvrez la porte à 90°. Enlevez les 5 vis à tête cruciforme des poignées de porte du compartiment d'aliments frais et du congélateur. Gardez les vis. Enlevez les poignées pré-installées.

- **Installation des panneaux de porte**

NOTE : Poussez doucement le panneau de la porte du compartiment d'aliments frais dans la fente derrière la moulure. Poussez doucement jusqu'au côté opposé. Répétez la procédure pour les panneaux supérieur et inférieur du congélateur.

- **Installez la décoration personnalisée**

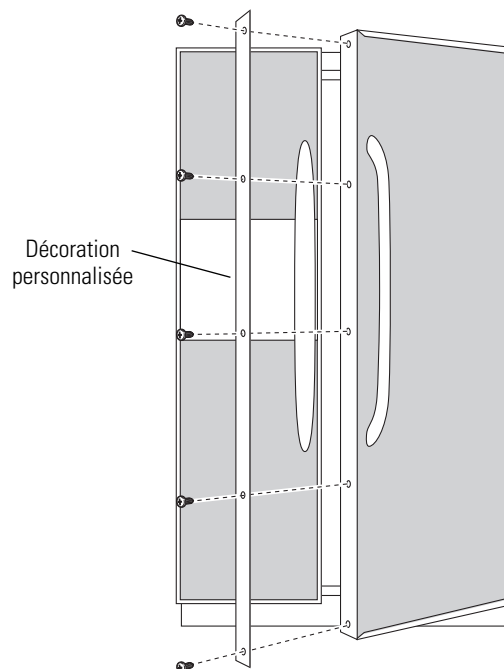
Installez la décoration personnalisée, en utilisant les 5 vis à tête cruciforme originales. Serrez. Répétez pour la porte du congélateur.

NOTE : Vérifiez que le bord de la décoration personnalisée ne pince pas le joint de la porte.

- **Panneaux décoratifs sur mesure de 19 mm (3/4 po)**

Dans le cas d'installation de panneaux en bois, les couper aux dimensions indiquées aux pages 72-79. Les panneaux glissent dans le cadre des portes et de la grille. Si vous utilisez les poignées personnalisées, veuillez vous reporter à *Poignées de porte*, page 69.

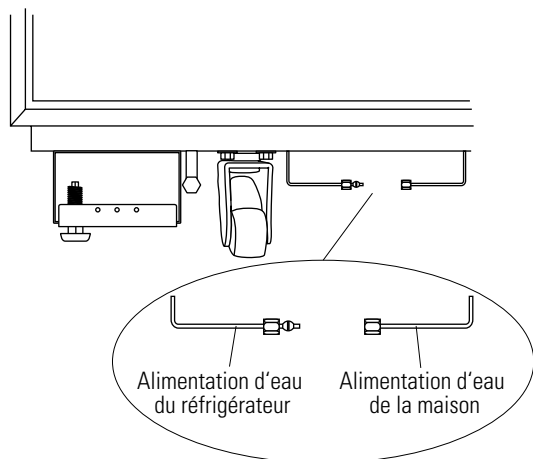
NOTE IMPORTANTE : L'épaisseur des panneaux sur mesure ne doit pas dépasser 29 mm (1-1/8 po) et 31,7 kg (70 lb) pour la porte du compartiment pour aliments frais, 20,3 kg (45 lb) total pour la porte du congélateur et 6,8 kg (15 lb) pour la grille.



Instructions d'installation

12 BRANCHEMENT DE L'ALIMENTATION D'EAU

Vérifiez que l'interrupteur principal est sur O (l'arrêt).



- Amenez le tube GE SmartConnect™ à l'avant de l'armoire.
- Ouvrez l'eau pour rincer les débris de la conduite. Faire couler environ un litre d'eau dans un seau, puis coupez l'eau.

Tube de cuivre

- Glissez un écrou de 1/4 po et une bague sur l'extrémité du tube de cuivre. Insérez le tube dans le raccord de l'appareil et serrez l'écrou.
- Ouvrez l'eau pour vérifier qu'il n'y a pas de fuite.

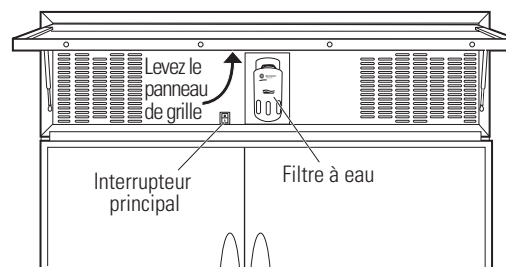
Tube GE SmartConnect™

- Insérez l'extrémité moulée du tube dans le raccord du réfrigérateur. Serrez l'écrou à compression à la main.
- Serrez d'un tour de plus avec une clé.
Un serrage excessif peut causer des fuites.
- Ouvrez l'eau pour vérifier qu'il n'y a pas de fuite.

Note : Vérifiez que l'excès de tube ne gêne pas l'installation de la plinthe.

13 MISE SOUS TENSION

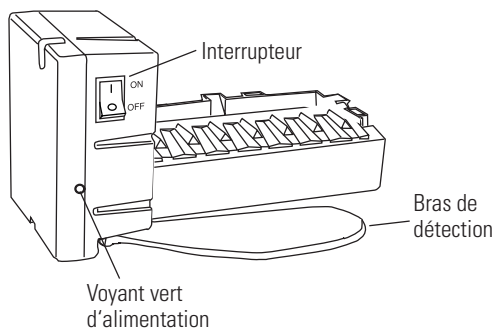
- Mettez l'interrupteur principal en position de I (marche).
- Pour s'assurer que le réfrigérateur est sous tension, ouvrez la porte et vérifiez que la lampe intérieure est allumée.



- Les commandes de température sont réglées en usine à 3 °C (37 °F) pour la section d'aliments frais et -18 °C (0 °F) pour la section congélateur.
- Attendre 24 heures que la température se stabilise avant de faire des réglages.

Instructions d'installation

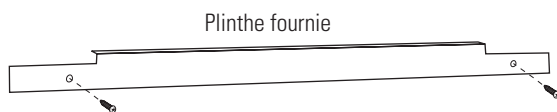
14 MISE EN MARCHÉ DE LA MACHINE À GLAÇONS



- Mettez l'interrupteur sur **I (marche)**. La machine à glaçons commence à fonctionner automatiquement.
- Vérifiez que rien n'interfère avec le déplacement du bras de détection.
- Jetez le premier bac de glaçons.
- Pour arrêter la machine à glaçons, mettez l'interrupteur sur **O (l'arrêt)**.

15 INSTALLATION DE LA PLINTHE

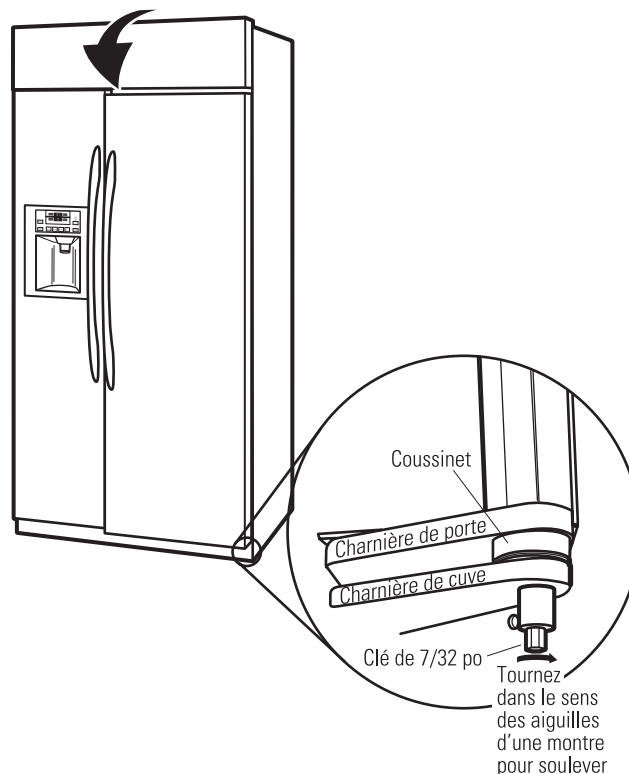
- Trouvez la plinthe (expédiée maintenue en place avec du ruban adhésif sur le dessus du réfrigérateur). L'installez avec les deux vis fournies.



- Pour la ventilation propre, gardez la plinthe sans obstruction.

16 ALIGNEMENT DES PORTES

- Reculez du réfrigérateur et vérifiez visuellement l'alignement des portes.
- L'expédition ou l'addition de panneaux de porte lourds peut avoir changé légèrement l'alignement des portes.



- Si nécessaire, il est possible de déplacer la porte du compartiment pour aliments frais vers le haut ou le bas pour l'aligner avec la porte du congélateur.
- Desserrez le mécanisme de mise à niveau.
- Avec une clé de 7/32 po, réglez l'axe de la charnière, comme montré.
- Serrez le mécanisme de mise à niveau.

NOTE IMPORTANTE : Après avoir bien mis à la verticale votre appareil, si la porte du compartiment d'aliments frais est plus haute que la porte du compartiment congélation, abaissez le pied d'inclinaison avant droit pour aligner les portes et, le cas échéant, montez le pied d'inclinaison gauche pour bien mettre à l'horizontale les deux côtés de votre appareil.

Bruits normaux de fonctionnement.



Les réfrigérateurs plus récents font des bruits différents de ceux des anciens. Les réfrigérateurs modernes présentent plus de fonctions et sont plus avancés sur le plan technologique.

Entendez-vous ce que j'entends ? Ces bruits sont normaux.

**HUMMM...
OUUCH...**

- Le nouveau compresseur à rendement élevé peut fonctionner plus longtemps et plus vite que votre ancien réfrigérateur et vous pouvez entendre un son modulé ou un ronflement aigu pendant son fonctionnement.
- Vous pouvez entendre un sifflement lorsque les portes se ferment. Cela vient de l'équilibrage de pression dans le réfrigérateur.

OUIR !



- Vous pouvez entendre les ventilateurs tourner à hautes vitesses. Cela se produit lorsque le réfrigérateur vient d'être branché, lorsque les portes sont ouvertes fréquemment ou lors de l'ajout d'une grande quantité d'aliments dans les compartiments congélateur ou réfrigérateur. Les ventilateurs permettent de maintenir les bonnes températures.
- Si une des portes est ouverte pendant plus de 3 minutes, vous pouvez entendre l'activation des ventilateurs permettant de refroidir les ampoules.
- Les ventilateurs changent de vitesses pour assurer des économies d'énergie et un refroidissement optimal.

CLICS, CLAQUEMENTS, CRAQUEMENTS et GRÉSILLEMENTS

- Vous pouvez entendre des craquements ou des claquements lorsque le réfrigérateur est branché pour la première fois. Cela se produit lorsque le réfrigérateur se refroidit à la bonne température.
- Le compresseur peut causer un clic ou un grésillement lors de la tentative de redémarrage (cela peut prendre 5 minutes).
- Le tableau de commande électronique peut causer un clic lorsque les relais s'activent pour commander les composants du réfrigérateur.
- L'expansion et la contraction des serpentins de refroidissement pendant et après le dégivrage peuvent causer un craquement ou un claquement.
- Après un cycle de fabrication de glaçons, vous pouvez entendre les glaçons tomber dans le bac.

BRUITS D'EAU



- Le passage de l'agent frigorigère dans les serpentins de refroidissement du congélateur peut être accompagné d'un gargouillement semblable à celui de l'eau en ébullition.
- L'eau tombant sur l'élément chauffant de dégivrage peut faire un bruit de grésillement, de claquement ou de bourdonnement pendant le cycle de dégivrage.
- Un bruit de suintement d'eau peut être entendu pendant le cycle de dégivrage lorsque la glace de l'évaporateur fond et tombe dans le bac de récupération.
- Fermer la porte peut causer un gargouillement en raison de l'équilibrage de pression.



Pour obtenir plus d'information sur les bruits normaux de fonctionnement de la machine à glaçons et le distributeur d'eau et de glaçons, veuillez consulter les sections **Machine à glaçons automatique** et **Le distributeur d'eau et de glaçons**.



Conseils de dépannage—Économisez du temps et de l'argent!
Consultez d'abord les tableaux qui suivent et vous pourrez peut-être éviter de faire appel à un réparateur.

Problème	Causes possibles	Correctifs
Le réfrigérateur ne fonctionne pas	Le cycle de dégivrage est peut-être en cours.	• Attendez environ 30 minutes afin que le cycle de dégivrage puisse terminer.
	L'interrupteur général d'alimentation est en position OFF (arrêt).	• Mettez l'interrupteur général d'alimentation en position ON (marche) .
	Le réfrigérateur est débranché.	• Enfoncez la fiche de l'appareil dans la prise murale.
	Le disjoncteur ou le fusible peut avoir sauté.	• Remplacez le fusible ou réenclenchez le disjoncteur.
	Le réfrigérateur se trouve sur le mode "salle d'exposition".	• Débranchez le réfrigérateur et rebranchez-le.
Vibration ou bruit métallique (une légère vibration est normale)	Le réfrigérateur n'est pas bien niveau.	<ul style="list-style-type: none"> • Consultez <i>Nivellement du réfrigérateur</i>. • Consultez <i>Alignement des portes</i>.
Le moteur fonctionne pendant de longues périodes ou démarre et s'arrête fréquemment. (Les réfrigérateurs modernes et leurs congélateurs étant plus grands, leur moteur doit fonctionner plus longtemps. Ils démarrent et s'arrêtent afin de maintenir des températures uniformes.)	Ceci est normal lorsque le réfrigérateur vient d'être branché.	• Attendez 24 heures pour que le réfrigérateur refroidisse complètement.
	Une grande quantité d'aliments a été mise au réfrigérateur.	• C'est normal.
	Porte laissée ouverte.	• Vérifiez qu'il n'y a pas un paquet qui empêche la porte de fermer.
	Temps chaud ou ouverture fréquente des portes.	• C'est normal.
	Les commandes de température ont été réglées à la température la plus froide.	• Consultez <i>Les commandes de température</i> .
Température trop élevée dans le congélateur ou le réfrigérateur	La commande de température n'a pas été réglée à une température assez basse.	• Consultez <i>Les commandes de température</i> .
	Temps chaud ou ouverture fréquente des portes.	• Abaissez la commande de température d'une position. Consultez <i>Les commandes de température</i> .
	Porte laissée ouverte.	• Vérifiez qu'il n'y a pas un paquet qui empêche la porte de fermer.
Givre sur les aliments surgelés (il est normal que du givre se forme à l'intérieur du paquet)	Porte laissée ouverte.	• Vérifiez qu'il n'y a pas un paquet qui empêche la porte de fermer.
	Les portes ont été ouvertes trop souvent ou pendant trop longtemps.	
La séparation entre le réfrigérateur et le congélateur est chaude	Le système automatique d'économie d'énergie fait circuler du liquide chaud autour du rebord avant du congélateur.	• Ceci empêche la formation de condensation sur l'extérieur du réfrigérateur.
Formation lente des glaçons	Porte laissée ouverte.	• Vérifiez qu'il n'y a pas un paquet qui empêche la porte de fermer.
	La commande de température du congélateur n'est pas réglée à une température assez froide.	• Consultez <i>Les commandes de température</i> .
Mauvais goût/odeur de l'eau	Le distributeur d'eau n'a pas été utilisé depuis longtemps.	• Faites couler l'eau jusqu'à ce que l'eau du système soit remplacée par de l'eau fraîche.

Conseils de dépannage...

Problème	Causes possibles	Correctifs
La machine à glaçons ne fonctionne pas	L'interrupteur d'alimentation de la machine à glaçons est à la position d'arrêt.	• Réglez l'interrupteur d'alimentation à la position de marche.
	L'alimentation en eau est coupée ou n'est pas raccordée.	• Consultez <i>Installation de la conduite d'eau</i> .
	Le compartiment congélateur est trop chaud.	• Attendez 24 heures pour que la température du réfrigérateur se stabilise.
	Un amas de glaçons dans le bac provoque l'arrêt de la machine à glaçons.	• Nivelez les glaçons à la main.
	Cubes de glace sont coincés dans la machine à glaçons. (La lumière d'alimentation verte clignote).	• Réglez le commutateur de marche de la machine à glaçons sur la position O (arrêt) , enlevez les cubes et mettez en marche la machine à glaçons.
Bourdonnement fréquent	Le commutateur de marche de la machine à glaçons est dans la position I (marche) , mais l'arrivée d'eau au réfrigérateur n'a pas été raccordée.	• Réglez le commutateur de marche sur la position O (arrêt) , car le garder dans la position I (marche) endommagera le robinet d'eau.
Odeur/saveur anormale des glaçons	Il faut nettoyer le bac à glaçons.	• Videz et lavez le bac à glaçons. Jetez les vieux glaçons.
	Des aliments ont transmis leur odeur/goût aux glaçons.	• Emballez bien les aliments.
	Il faut nettoyer l'intérieur du réfrigérateur.	• Consultez <i>Entretien et nettoyage</i> .
Petits glaçons ou glaçons creux à l'intérieur	Le filtre à eau est bouché.	• Remplacez la cartouche du filtre avec une nouvelle cartouche ou installez le bouchon du filtre.
Le distributeur de glaçons ne fonctionne pas	La machine à glaçons est éteinte ou l'alimentation en eau a été coupée.	• Mettez en marche la machine à glaçons ou rétablissez l'alimentation en eau.
	Un objet bloque ou est tombé dans la chute à glace située à l'intérieur du bac supérieur de la porte du compartiment congélation.	• Enlevez tout objet qui bloque ou est tombé dans la chute.
	Des glaçons sont collés au bras régulateur.	• Retirez les glaçons.
	Blocs de glace irréguliers dans le bac à glaçons.	• Brisez-en autant que possible avec vos doigts et jetez ceux qui restent. • Le congélateur est peut-être trop chaud. Réglez la commande du congélateur sur une température plus basse, en abaissant la commande d'une position à la fois jusqu'à ce que les blocs de glace disparaissent.
	Distributeur est VERROUILLÉ .	• Appuyez et maintenez enfoncée le bouton LOCK/LIGHT (verrouillage/lumière) pendant 3 secondes.
L'eau versée dans le premier verre est chaude	Normal lorsque le réfrigérateur est initialement installé.	• Attendez 24 heures pour que la température du réfrigérateur se stabilise.
	Le distributeur d'eau n'a pas été utilisé depuis longtemps.	• Faites couler l'eau jusqu'à ce que l'eau du système soit remplacée par de l'eau fraîche.
	Le réservoir d'eau vient d'être vidangé.	• Attendez plusieurs heures pour que l'eau refroidisse.

Problème	Causes possibles	Correctifs
Le distributeur d'eau ne fonctionne pas	L'alimentation en eau est coupée ou n'est pas raccordée.	• Consultez <i>Installation de la conduite d'eau</i> .
	Le filtre à eau est bouché.	• Remplacez la cartouche du filtre avec une nouvelle cartouche ou installez le bouchon du filtre.
	Il y a de l'air dans la conduite d'eau.	• Appuyez sur le bras de distribution pendant au moins deux minutes.
	Distributeur est VERROUILLÉ .	• Appuyez et maintenez enfoncée le bouton LOCK/LIGHT (verrouillage/lumière) pendant 3 secondes.
	Le réglage de commande est trop froid.	• Réglez le commande de température sur un réglage plus chaud.
L'eau jaillit du distributeur	La cartouche du filtre vient d'être installée.	• Faites couler l'eau du distributeur pendant 3 minutes (environ 6 litres).
La machine à glaçons fonctionne, mais ne distribue pas d'eau	L'eau du réservoir est gelée.	• Appelez un réparateur.
	Le réglage de commande est trop froid.	• Réglez le commande de température sur un réglage plus chaud.
La machine à glaçons ne distribue ni eau ni glaçons	La conduite d'eau ou le robinet d'arrêt est bouché.	• Appelez un plombier.
	Le filtre à eau est bouché.	• Remplacez la cartouche du filtre avec une nouvelle cartouche ou installez le bouchon du filtre.
	Distributeur est VERROUILLÉ .	• Appuyez et maintenez enfoncée le bouton LOCK/LIGHT (verrouillage/lumière) pendant 3 secondes.
CUBED (cubes de glace) était choisi mais CRUSHED (glace concassée) a été distribuée	Le réglage précédent était CRUSHED .	• Quelques cubes sont restés et ont été concassés à cause du réglage précédent. C'est normal.
Odeur dans le réfrigérateur	Des aliments ont transmis leur odeur au réfrigérateur.	• Les aliments à odeur forte doivent être emballés hermétiquement. • Gardez une boîte ouverte de bicarbonate de soude dans le réfrigérateur.
	Il faut nettoyer l'intérieur.	• Consultez <i>Entretien et nettoyage</i> .
De la condensation s'accumule à l'extérieur	Cela n'est pas inhabituel pendant les périodes de forte humidité.	• Essayez bien la surface extérieure.
De la condensation s'accumule à l'intérieur (par temps humide, l'ouverture des portes laisse entrer de l'humidité)	Les portes sont ouvertes trop fréquemment ou pendant trop longtemps.	
L'éclairage intérieur ne fonctionne pas	Il n'y a pas de courant au niveau de la prise.	• Remplacez le fusible ou réenclenchez le disjoncteur.
	L'ampoule est grillée.	• Consultez <i>Remplacement des ampoules</i> .
Eau sur le sol ou au fond du congélateur	Il y a des glaçons bloqués dans le conduit.	• Faites passer les glaçons à l'aide d'une cuillère en bois.
De l'air chaud sort du haut du réfrigérateur	Courant d'air normal provenant du moteur. Pendant le processus de réfrigération, il est normal que de la chaleur soit expulsée au dessus du réfrigérateur.	
Lueur orange dans le congélateur	Le cycle de dégivrage est en cours.	• C'est normal.

Conseils de dépannage...

Problème	Causes possibles	Correctifs
Le réfrigérateur ne s'arrête jamais mais les températures sont normales	La fonction de dégivrage maintient le compresseur en marche au cours de l'ouverture des portes.	<ul style="list-style-type: none"> • Ceci est normal. Le réfrigérateur passe sur cycle d'arrêt lorsque les portes ont été fermées pendant 2 heures.
Le réfrigérateur émet un signal sonore	La porte est ouverte.	<ul style="list-style-type: none"> • Fermez la porte.
La température présente n'est pas égale à celle affichée	L'appareil vient d'être branché.	<ul style="list-style-type: none"> • Pour stabiliser le système, laissez 24 heures s'écouler.
	La porte est restée ouverte trop longtemps.	<ul style="list-style-type: none"> • Pour stabiliser le système, laissez 24 heures s'écouler.
	Des aliments chauds ont été placés dans le réfrigérateur.	<ul style="list-style-type: none"> • Pour stabiliser le système, laissez 24 heures s'écouler.
La porte ne se ferme pas correctement	Cycle de dégivrage en cours.	<ul style="list-style-type: none"> • Pour stabiliser le système, laissez 24 heures s'écouler.
	Le joint de la porte du côté des charnières est collé ou replié.	<ul style="list-style-type: none"> • Mettre une couche de cire de paraffine sur le joint de la porte.
	Un des contenants de porte touche une étagère dans le réfrigérateur.	<ul style="list-style-type: none"> • Remontez le contenant d'un cran.
	Le réfrigérateur n'est pas bien niveau.	<ul style="list-style-type: none"> • Consultez <i>Nivellement du réfrigérateur.</i> • Consultez <i>Alignement des portes.</i>

GARANTIE DU CLIENT

(pour la clientèle au Canada)

Votre réfrigérateur est garanti contre tout défaut de matériau et de fabrication.

Ce que cette garantie couvre	Durée de garantie (à partir de la date d'achat)	Pièces Réparation ou remplacement au choix de Mabe	Main-d'oeuvre
Compresseur	GE Profile™ : Dix (10) ans GE et toutes autres marques : Un (1) an	GE Profile : Dix (10) ans GE et toutes autres marques : Un (1) an	GE Profile : Cinq (5) ans GE et toutes autres marques : Un (1) an
Système scellé (y compris l'évaporateur, la tuyauterie du condenseur et le frigorigène)	GE Profile : Cinq (5) ans GE et toutes autres marques : Un (1) an	GE Profile : Cinq (5) ans GE et toutes autres marques : Un (1) an	GE Profile : Cinq (5) ans GE et toutes autres marques : Un (1) an
Toutes les autres pièces	Un (1) an	Un (1) an	Un (1) an

TERMES ET CONDITIONS :

La présente garantie ne s'applique qu'à l'utilisation domestique par une seule famille au Canada, lorsque le réfrigérateur a été installé conformément aux instructions fournies par Mabe et est alimenté correctement en eau et en électricité.

Les dommages dus à une utilisation abusive, un accident, une exploitation commerciale, ainsi que la modification, l'enlèvement ou l'altération de la plaque signalétique annulent la présente garantie.

L'entretien effectué dans le cadre de la présente garantie doit l'être par un réparateur agréé Mabe.

Mabe et le marchand ne peuvent être tenus pour responsables en cas de réclamations ou dommages résultant de toute panne du réfrigérateur ou d'un entretien retardé pour des raisons qui raisonnablement échappent à leur contrôle.

L'acheteur doit, pour obtenir un service dans le cadre de la garantie, présenter la facture originale. Les éléments réparés ou remplacés ne sont garantis que pendant le restant de la période de garantie initiale.

Cette garantie est offerte à l'acheteur initial, ainsi qu'à tout propriétaire subséquent d'un produit acheté en vue d'une utilisation domestique au Canada. Le service à domicile en vertu de la garantie sera fourni dans les régions où il est disponible et où Mabe estime raisonnable de le fournir.

Cette garantie est en sus de toute garantie statutaire.

EXCLUSIONS DE LA GARANTIE :

- Le propriétaire est responsable de payer les réparations occasionnées par l'installation de ce produit et/ou les visites nécessaires pour lui apprendre à utiliser ce produit.
- Tout dommage au fini de l'appareil doit être signalé auprès du magasin où a été effectué l'achat dans les 48 heures suivant la livraison de l'appareil.
- Dommages causés à la peinture ou à l'émail après livraison.
- Installation incorrecte—l'installation correcte inclut la bonne circulation d'air pour le système de réfrigération, des possibilités de branchement aux circuits électriques, d'alimentation en eau et autres.
- Remplacement des fusibles ou réarmement des disjoncteurs.
- Remplacement des ampoules électriques.
- Dommages subis par l'appareil à la suite d'un accident, d'un incendie, d'inondations ou en cas de force majeure.
- Utilisation correcte et entretien adéquat de l'appareil selon le manuel d'utilisation, réglage correct des commandes.
- Perte des aliments due à la détérioration.
- Le service s'il est impossible d'avoir accès au produit pour ce faire.
- LE GARANT N'EST PAS RESPONSABLE DES DOMMAGES INDIRECTS.

EXCLUSION DE GARANTIES IMPLICITES—Votre seul et unique recours est la réparation du produit selon les dispositions de cette Garantie limitée. Toutes les garanties implicites, incluant les garanties de commercialité et d'adéquation à un usage spécifique, sont limitées à une année ou à la période la plus courte autorisée par la législation.

IMPORTANT

Gardez cette garantie et votre facture originale comme preuve d'achat et preuve de la date d'achat.

Mabe vous offre ses services dans tout le pays. Pour de plus amples renseignements sur la présente garantie, veuillez prendre contact avec :

Directeur, Relations avec les consommateurs, Mabe Canada Inc.,
Bureau 310, 1 Factory Lane, Moncton, N.B. E1C 9M3
1.800.561.3344

*Agrapez votre reçu ici.
Vous devez fournir la preuve de
l'achat original pour obtenir des
services en vertu de la garantie.*

Feuillet de données relatives à la performance
Cartouche GWF/HWF du système de
Filtration d'eau GE SmartWater

Ce système a été essayé selon les normes NSF/ANSI 42/53 pour une réduction des substances énumérées ci-dessous. La concentration des substances indiquées dans l'eau qui entre dans le système a été réduite à une concentration inférieure ou égale à la limite permise pour l'eau quittant le système, telle que précisée par la norme NSF/ANSI 42/53.*
(facteurs intégrés de sécurité à 100% pour une utilisation sans compteur)

Norme N° 42 : Effets esthétiques							
Paramètre	USEPA MCL	Qualité influent concentration	Effluent		% Réduction		Réduction exigeante min.
			Moyenne	Maximum	Moyenne	Minimum	
Chlore	—	2,0 mg/L ± 10%	0,02 ppm	0,05 ppm	98,90%	97,37%	≥ 50%
T & O	—	—	—	—	—	—	—
Particules**	—	10.000 particules/mL minimum	3.978	7.800	98,00%	96,10%	≥ 85%

Norme N° 53 : Effets de santé							
Paramètre	USEPA MCL	Qualité influent concentration	Effluent		% Réduction		Réduction exigeante min.
			Moyenne	Maximum	Moyenne	Minimum	
Turbidité	1 NTU***	11 ± 1 NTU***	0,07 NTU	0,1 NTU	99,71%	99,59%	0,5 NTU
Spores	99,95% réduction	50.000 L minimum	26	55	99,97%	99,95%	> 99,95%
Plomb au pH 6,5	15 ppb	0,15 mg/L ± 10%	1 ppb	1 ppb	99,37%	99,37%	0,010 mg/L
Plomb au pH 8,5	15 ppb	0,15 mg/L ± 10%	1,8 ppb	4,3 ppb	98,8%	97,13%	0,010 mg/L
Lindane	0,0002 ppm	0,002 mg/L ± 10%	0,00005 ppm	0,00005 ppm	91,93%	91,93%	0,0002 mg/L
Atrazine	0,003 ppm	0,009 mg/L ± 10%	0,002 ppm	0,003 ppm	76,19%	64,28%	0,003 mg/L
2,4-D	0,100 ppm	0,210 mg/L ± 10%	0,042 ppm	0,090 ppm	84,89%	67,63%	0,07 mg/L
Asbestos	99%	Fibres/L de 10' à 10° ; fibres plus grand que 10 micromètres de longueur	0,32 MFL/ml	1,2 MFL/ml	99,95%	99,82%	99%

* Testé utilisant un débit de 0,5 gpm; une pression de 60 psig; un pH de 7,5 ± 0,5; et une temp. de 20 °C ± 25 °C.

** Mesures en particules/ml. Les particules utilisés étaient de 0,5-1 micron.

*** NTU = unités de turbidité néphélométrique

Spécifications d'opération

- Capacité: certifiée jusqu'à maximum de 500 gallons (1135 l); jusqu'à maximum de douze mois pour tous les modèles
- Exigence en matière de pression : 2,8 à 8,2 bar (40 à 120 psi), sans choc
- Température : 0,6°-38 °C (33°-100 °F)
- Débit : 1,9 lpm (0,5 gpm)

Exigences générales d'installation/opération/entretien

- Rincez la nouvelle cartouche à plein débit pendant 3 minutes afin de libérer de l'air.
- Remplacez la cartouche lorsque le débit devient trop lent.

Avis spéciaux

- Les directives d'installation, la disponibilité de pièces et de service ainsi que la garantie standard sont expédiées avec le produit.
- Ce système d'eau potable doit être entretenu conformément aux directives du fabricant, y compris le remplacement des cartouches du filtre.
- N'utilisez pas lorsque l'eau présente un danger microbiologique ou lorsque l'eau est d'une qualité inconnue sans désinfecter adéquatement le système avant ou après; le système peut servir pour de l'eau désinfectée qui pourrait contenir des spores filtrables.
- Les contaminants ou autres substances retirées ou réduites par ce système de traitement de l'eau ne sont pas nécessairement dans votre eau.
- Vérifiez pour vous assurer de vous conformer aux lois et règlements locaux et de l'état.
- Notez que bien que l'essai a eu lieu dans des conditions normales de laboratoire, mais que le rendement réel peut varier. Les systèmes doivent être installés et fonctionner conformément aux procédures et directives recommandées par le fabricant.

Testée et certifiée selon les normes 42 et 53 de ANSI/NSF pour la réduction de :	
Norme N° 42 : Effets esthétiques	Norme N° 53 : Effets de santé
Unité chimique	Unité de réduction chimique
Réduction d'odeur et de goût	Réduction de plomb et Atrazine
Réduction de chlore	Réduction de Lindane et 2,4-D
Unité de filtration mécanique	Unité de filtration mécanique
Réduction de particules, catégorie I	Réduction de spores
	Réduction de turbidité



Fabriquée pour : General Electric Company, Louisville, KY 40225

Notes.

<i>Mesures de sécurité</i>	<i>Fonctionnement</i>	<i>Installation</i>	<i>Conseils de dépannage</i>	<i>Soutien au consommateur</i>
----------------------------	-----------------------	---------------------	------------------------------	--------------------------------

Soutien au consommateur	Conseils de dépannage	Installation	Fonctionnement	Mesures de sécurité
--------------------------------	------------------------------	---------------------	-----------------------	----------------------------

Notes.

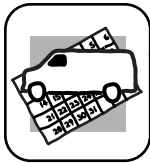
Soutien au consommateur.



Site Web appareils électroménagers GE

electromenagersge.ca

Vous avez une question ou vous avez besoin d'aide pour votre appareil électroménager? Contactez-nous par Internet au site electromenagersge.ca 24 heures par jour, tous les jours de l'année.



Service de réparations

1.800.561.3344

Service de réparations GE est tout près de vous.

Pour faire réparer votre électroménager GE, il suffit de nous téléphoner.



Studio de conception réaliste

Sur demande, GE peut fournir une brochure sur l'aménagement d'une cuisine pour les personnes à mobilité réduite.

Écrivez: Directeur, Relations avec les consommateurs, Mabe Canada Inc.
Bureau 310, 1 Factory Lane
Moncton, N.B. E1C 9M3

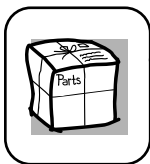


Prolongation de garantie

electromenagersge.ca

Achetez un contrat d'entretien GE avant que votre garantie n'expire et bénéficiez d'un rabais substantiel. Ainsi le service après-vente GE sera toujours là après expiration de la garantie.

Visitez notre site Web ou appelez-nous au 1.888.261.2133.



Pièces et accessoires

Ceux qui désirent réparer eux-mêmes leurs électroménagers peuvent recevoir pièces et accessoires directement à la maison (cartes VISA, MasterCard et Discover acceptées).

Les directives stipulées dans le présent manuel peuvent être effectuées par n'importe quel utilisateur. Les autres réparations doivent généralement être effectuées par un technicien qualifié. Soyez prudent, car une réparation inadéquate peut affecter le fonctionnement sécuritaire de l'appareil.

Vous trouverez dans les pages jaunes de votre annuaire le numéro du Centre de service Mabe le plus proche. Autrement, appelez-nous au 1.800.661.1616.



Contactez-nous

Si vous n'êtes pas satisfait du service après-vente dont vous avez bénéficié :

Premièrement, communiquez avec les gens qui ont réparé votre appareil.

Ensuite, si vous n'êtes toujours pas satisfait envoyez tous les détails—numéro de téléphone compris—au
Directeur, Relations avec les consommateurs, Mabe Canada Inc.
Bureau 310, 1 Factory Lane
Moncton, N.B. E1C 9M3



Inscrivez votre appareil électroménager

electromenagersge.ca

Inscrivez votre appareil électroménager en direct, aussitôt que possible. Cela améliorera nos communications et notre service après-vente. Vous pouvez également nous envoyer par la poste le formulaire d'inscription joint à votre documentation.

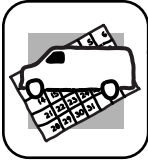
Consumer Support.



GE Appliances Website

In the U.S.: **ge.com**

Have a question or need assistance with your appliance? Try the GE Appliances Website 24 hours a day, any day of the year! For greater convenience and faster service, you can now download Owner's Manuals, order parts or even schedule service on-line.



Schedule Service

In the U.S.: **ge.com**

Expert GE repair service is only one step away from your door. Get on-line and schedule your service at your convenience any day of the year! Or call 800.GE.CARES (800.432.2737) during normal business hours.

In Canada, call 1.800.561.3344



Real Life Design Studio

In the U.S.: **ge.com**

GE supports the Universal Design concept—products, services and environments that can be used by people of all ages, sizes and capabilities. We recognize the need to design for a wide range of physical and mental abilities and impairments. For details of GE's Universal Design applications, including kitchen design ideas for people with disabilities, check out our Website today. For the hearing impaired, please call 800.TDD.GEAC (800.833.4322).

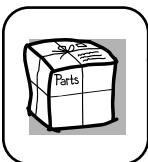
In Canada, contact: Manager, Consumer Relations, Mabe Canada Inc.
Suite 310, 1 Factory Lane
Moncton, N.B. E1C 9M3



Extended Warranties

In the U.S.: **ge.com**

Purchase a GE extended warranty and learn about special discounts that are available while your warranty is still in effect. You can purchase it on-line anytime, or call 800.626.2224 during normal business hours. GE Consumer Home Services will still be there after your warranty expires. **In Canada, call 1.888.261.2133**



Parts and Accessories

In the U.S.: **ge.com**

Individuals qualified to service their own appliances can have parts or accessories sent directly to their homes (VISA, MasterCard and Discover cards are accepted). Order on-line today, 24 hours every day or by phone at 800.626.2002 during normal business hours.

Instructions contained in this manual cover procedures to be performed by any user. Other servicing generally should be referred to qualified service personnel. Caution must be exercised, since improper servicing may cause unsafe operation.

Customers **in Canada** should consult the yellow pages for the nearest Mabe service center, or call 1.800.661.1616.



Contact Us

In the U.S.: **ge.com**

If you are not satisfied with the service you receive from GE, contact us on our Website with all the details including your phone number, or write to:

General Manager, Customer Relations
GE Appliances, Appliance Park
Louisville, KY 40225

In Canada: geappliances.ca, or write to: Director, Consumer Relations, Mabe Canada Inc.
Suite 310, 1 Factory Lane
Moncton, N.B. E1C 9M3



Register Your Appliance

In the U.S.: **ge.com**

Register your new appliance on-line—at your convenience! Timely product registration will allow for enhanced communication and prompt service under the terms of your warranty, should the need arise. You may also mail in the pre-printed registration card included in the packing material, or detach and use the form in this Owner's Manual. **In Canada: geappliances.ca**