



HR-165

**Domestic Refrigerator
Haushaltskühlschrank
Réfrigérateur-ménager
huishoudelijke Koelkast**

**Operation Instructions
Gebrauchsanweisung
L'instruction d'emploi
Gebruikershandleiding**

Contents

Cautions-----	1~2
Refrigerator diagram-----	3
Preparation-----	4~6
Operation-----	7
Instructions-----	8~10
Defrosting, cleaning and de-commissioning-----	11~12
Trouble shooting -----	13~14

Inhaltsverzeichnis

Sicherheitshinweise-----	15~16
Bauteile-----	17
Vorbereitung der Inbetriebnahme-----	18~20
Inbetriebnahme-----	21
Hinweise zur Inbetriebnahme-----	22~24
Entfernen der Reifschicht-Reinigen-Außer Betrieb setzen-----	25~26
Probleme-----	27~28

Catalogue

Conseils de sécurité-----	29~30
Nom des composants-----	31
Préparation-----	32~34
Mise en service-----	35
Instructions pour l'utilisation-----	36~38
Dégivrage-Nettoyage-Mise hors service -----	39~40
Réponses aux problèmes-----	41~42

Inhoudsopgave

Voorbereiden in gebruikname-----	43~44
Onderdelen-----	45
In gebruikname-----	46~48
Functionaانبwijzingen-----	49
Verwijderen rijplaag-----	50~52
Ontdooien-Schoonmaken-Buitenwerking stellen-----	53~54
Problemen-----	55~56

Disposal of the old appliance

Before disposing an old appliance, please make sure it's inoperative and safe. Unplug the appliance and remove or destroy all of the springs, latches, or bolt-locks in order to avoid the risk of child entrapment.

It must be noted that the refrigeration system contains insulating gases and refrigerants, which require specialized waste disposal. The valuable materials contained in a refrigerator can be recycled. Contact your local waste disposal center for proper disposal of an old appliance and contact your local authority or your dealer if you have any question. Please ensure that the pipe work of your refrigerator does not get damaged prior to being picked up by the relevant waste disposal center, and contribute to environmental awareness by insisting on an appropriate, any-pollution method of disposal.

Disposal of the packaging of your new appliance

All the packaging materials employed in the package of your new appliance may be disposed without any danger to the environment.

The cardboard box may be broken or cut into smaller pieces and given to a waste paper disposal service. The wrapping foil is made of polyethylene and the polyethylene pads and stuffing contain no fluorochloric hydrocarbon.

All these valuable materials may be taken to a waste collecting center and used again after adequate recycling.

Consult your local authorities for the name and address of the waste materials collecting centers and waste paper disposal services nearest to your house.

Safety Instructions and Warnings

Before starting the appliance, read the information given in the User's Guide carefully. The User's Guide contains very important observations relating to the assembly, operation and maintenance of the appliance.

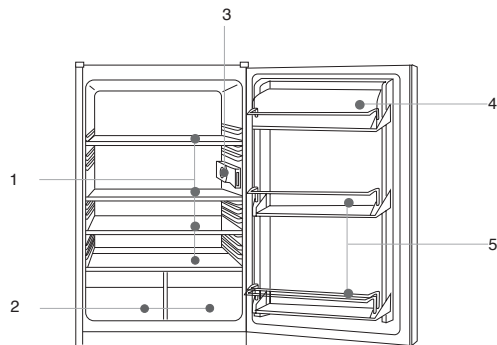
Keep the User's Guide in a safe place and remember to hand it over to the subsequent owner, if you ever sell the appliance.

The manufacturer does not accept responsibility for any damages that may arise due to non-observation of the following instruction.

- *Damaged appliances are not to be put into operation. In case of doubt, consult your supplier.
- *Connection and installation of the appliance are not to be carried out in strict compliance with the relative instructions set forth in the Use's Guide.
- *For the purpose of safety, the appliance must be properly grounded in accordance with specifications.
- *Always remember to unplug the appliance before cleaning. To disconnect the appliance, pull at the plug itself not the cord.
- *Keep alcoholic beverages in airtight bottles or containers and always store in an upright position. In addition, do not store any explosive substances inside the appliance-**Danger of explosion!**
- *Do not damage any parts of the appliance that carry refrigerant by piercing or perforating the refrigerant's grooves with sharp or pointed items, crushing or twisting any tubes, or scraping the coatings off the surfaces. If the refrigerant spurts out and gets into eyes, it may result in serious eye injuries.
- *Do not obstruct or cover the ventilation grille of the appliance.
- *Do not allow children to play with the appliance. In no case should children be allowed to sit on the drawers or hang onto the door.
- *Warning: Keep ventilation openings in the appliance enclosure or in the structure for building in, clear of obstruction.
- *Warning: Do not use mechanical devices or other means to accelerate the defrosting process, other than those recommended by the manufacturer.
- *Warning: Do not damage the refrigerant circuit.
- *Warning: Do not use electrical appliances inside the food storage of the appliance.
- *If the supply cord is damaged, it must be replaced by the manufacturer or its service agent or a similarly qualified person in order to avoid a hazard.

Specifications

- *This appliance is designed for food refrigeration, ice making and frozen food storage.
- *It is intended strictly for household use. If using it for industrial or commercial purpose, be sure to observe the relevant norms and regulations.
- *The refrigerating circuit is leak-proof.



1. Shelves
2. Vegetable and fruit tray
3. Temperature Controller
4. Egg tray
5. Bottle racks

This diagram may vary slightly with the layout of the refrigerator you have just purchased due to technical improvements.

Unpacking

Remove all packing materials.

Check attachments and materials

Checking should be conducted with reference to the Packing List. Contact the local distributor if discrepancies are found.

Ensure proper location of the refrigerator.

Clean the refrigerator before use.

(See the following section "Cleaning")

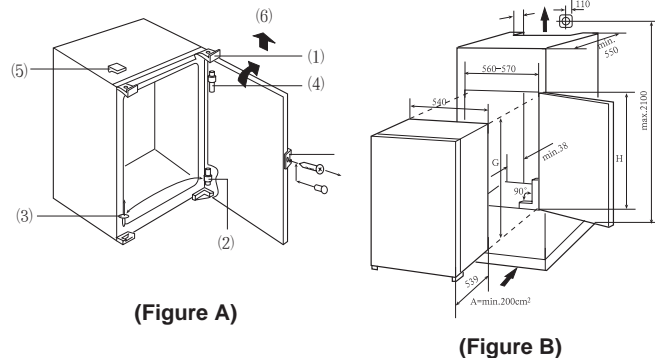
Idle time

After the refrigerator has been sited and cleaned, let it stand for more than 30 minutes before connecting the power source

Left/Right Door Opening (Figure A)

The door of the refrigerator can be opened both from the left or right as required. The following are the steps required to position the door to open to the right.

1. Remove the door and place aside after removing the bracket (2) and the screw hole cover (3).
2. Remove the upper bracket (6) and the pivot pin (1) and the spring washer and re-fix to the corresponding position on the left. (Bracket cover (5) should also be moved to the corresponding left position.
3. Carefully place the door on the upper bracket (6) and lower bracket (2). Tighten the lower bracket screws to the refrigerator case.
4. Place the screw cover (3) over the original lower bracket hole on the right side.
5. Change the position of component (4) to the corresponding opposite position.
6. After installation open and close the door to ensure the door operates smoothly.



(Figure A)

(Figure B)

Ventilation (Figure B)

*Level the kitchen cabinet unit with a spirit level and a try square. Level the unit by placing packing material underneath if required.

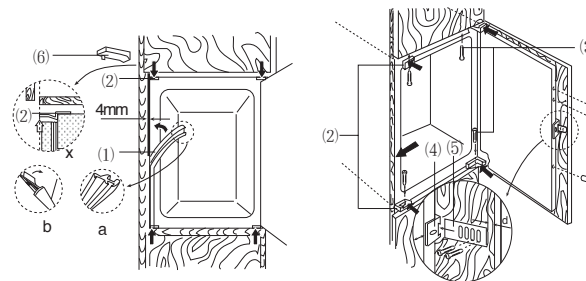
*A minimum gap of 38mm must be maintained at the back of the appliance for ventilation.

*Air inlet A must be at least 200 cm square and air must flow through the panel in the cabinet plinth.

*Check that the position of the power socket (1) is correct. AC voltage in the location at which the appliance is to be used must comply with that as shown on the data plate located on the left inside wall of the appliance next to the vegetable bins. The power supply must be suitably earthed.

Installation (Figure C)

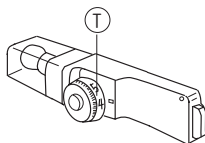
1. Check that the kitchen unit door is in the correct operating position.
2. Run the mains cable through the unit such that it can be connected to the power supply after installing the appliance. Remove the cover (6) only if space is restricted.
3. Push the appliance into the kitchen unit leaving a gap of 4mm at the handle side of the appliance. Align the top and bottom front edges of the support brackets (2) such that they are flush with the front edge of the kitchen unit. See detail X
4. Cut sealing strip (1) to the height of the kitchen unit and attach to the handle side of the unit to close the gap between the appliance and the side panel of the kitchen unit (press the strip (a) into the gap. Pull away the protective strip on the plastic profile before insertion.
5. Push the appliance against the side panel of the kitchen unit and secure it at the top and bottom (3).
6. Install the door connecting element (4) in accordance with the handle height and the number of doors. Open the door fully and insert the connecting rod (5) and screw it to the kitchen unit door maintaining distance (d) to the edge of the door ($d = \text{the thickness of the panel}$). Adjust the connecting element so that the handle side of the kitchen unit door does not make contact with the unit body when closed. (Approximately 1mm gap for large appliances), mount the second door connecting element where appropriate.
7. Plug the open hole in the appliance door.



(Figure C)

Starting the refrigerator

After connecting to the power supply, turn the temperature controller clockwise from position 0 to any position between 1 and 7 to start the refrigerator. The refrigerator compressor will stop when the temperature controller is at position 0.

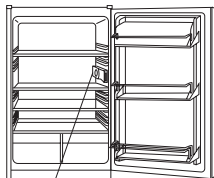


Adjusting the temperature:

The temperature inside the refrigerator is adjusted by turning the temperature controller. Positions 1 to 7 represent different temperatures from the lowest to the highest.

Position	Conditions
1-2	Summer or ambient temperature between 25-35°C
3-4	Spring, autumn or ambient temperature between 15-25°C
4-5	Winter, or ambient temperature between 5-15°C
6-7	Quick freeze

Caution: Some time will be required for the refrigerator to reach the set level when temperature adjustments are made. The length of this period is determined by difference in the existing and set temperatures, the ambient temperature, the frequency with which the door is opened and closed and the amount of food in storage.



Temperature Controller

Loading the refrigerator with food

When the refrigerator is switched on, do not load food until 1-2 hours have passed. Usually, food for cold storage or deep freezing can be loaded when the temperature inside the compartment reaches the set point.

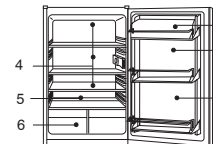
Cold storage is for short-term food storage or for daily consumption.

Although the temperature in most parts of the cold storage compartment can be regulated between 0 and 10 degrees Centigrade, extended periods of food storage is not recommended. Cold storage should only be used for short-term storage.



Cold storage compartment

1. Eggs and butter
2. Pickled food and seasonings
3. Beverages and bottled food
4. Cookies, cooked food and milk
5. Meat and sausages
6. Fruits, vegetables and salads



Cautions for cold storage

- * Hot food must be cooled to room temperature before storing in the refrigerator
- * Dry any water droplets on the food before placing it in the refrigerator.



- * It is recommended that food be sealed in suitable storage bags before being placed in the refrigerator; this will prevent moisture in the food from evaporating and prevent vegetables and fruit from withering or altering in flavor.



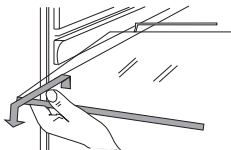
Instructions

* Do not store excess quantities or weights of food; food should be stored with spaces in between for better storage results. Never overload shelves, as they may collapse under excessive loads.

* Food to be stored should be sorted according to consumer requirements. Food consumed daily should be placed in the most convenient area, this will minimize opening periods for the door. Do not place food too close to the internal walls.

Food holder cleaning

* Food holders can be taken out for cleaning



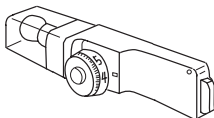
Lamp & Replacement:

* Lamp: 220-240V, 15W

* Lamp holder: E14 (lamps exceeding 15W must not be used)

* For replacement, unplug to disconnect the power

* Remove the lamp by turning anti-clockwise



Instructions

Instructions for food storage

* Storage period will be extended if vegetables are placed with their roots towards the cold source.



* Leaves of carrots or turnips should be removed before storage.



* Put a wad of tissue on the bottle holder before placing bottles on it so that later cleaning is easier



* Onions, garlic, ginger, water chestnuts and other root vegetables should not be stored in the refrigerator, as these foods are suitable for long-term storage at normal temperatures.

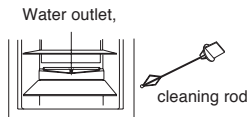


* Ripe squash, melon, papaw, bananas and pineapples should not be stored in the refrigerator. Freezing will accelerate the ripening process.



Defrosting the cold storage compartment

The cold storage compartment is designed for automatic defrosting. Frost formed on the back wall will melt and flow via the drainpipe to the evaporating container over the compressor on the back of the refrigerator, where the heat generated by the compressor will evaporate the water.



Caution: Always keep the drain over the vegetable and fruit tray clear to ensure the normal flow of defrosted water. Use the rod provided to clear any blockages.

Cleaning

The refrigerator should be cleaned regularly to prevent the formation of bad odors.

- * Disconnect the power before cleaning the refrigerator.
- * Do not use a hard brush, steel brush, detergent, gasoline or other solvents, hot water, acid or alkali for cleaning.
- * Wipe water drops on the surface of the refrigerator with a soft cloth.
 - (1) Do not use excessive amounts of water for cleaning the refrigerator
 - (2) Use a dry cloth to clean the switch, the lamp and the temperature controller
- * Always keep the rubber door seal clean
- * Clean the back and sides of the refrigerator regularly.

Cessation of Operation

If the power failure lasts for an extended period, unplug the refrigerator and clean the refrigerator as previously described.

Keep the door of refrigerator open when the power is turned off to prevent any food remaining in the compartment from producing bad odors.

Caution: It is recommended that the refrigerator is not turned off

Power failure

Even in summer, food can be stored in the refrigerator for a few hours after a power failure.

- * Don't put additional food into the refrigerator during a power failure.
- * Avoid opening the door during power failures
- * If prior notice of a power failure is given, make some ice and put it in a container in the top of the cold storage compartment.

Caution: temperature in the refrigerator will rise during a power failure or in the event of technical problems, and the storage period will be reduced.

During Vacations

- * Remove any food from refrigerator if the vacation is short. Turn the temperature selection knob to the proper position, and make sure that the door of the refrigerator is properly closed.
- * If the vacation is long, take out the food from the refrigerator and disconnect the power. When the frost inside melts, clean and dry the compartment.

Discarding

- * Remove the door of the refrigerator when you get rid of it, in case children may get trapped in.

Moving the refrigerator

- * Unplug the refrigerator
- * Remove any food
- * Tighten the shelf and vegetable tray with tapes
- * Tightly close the door with tape

Events below are not problems:

- * The temperature of the refrigerator and the compressor will rise and the compressor will run for comparatively longer periods when the refrigerator is first started.
- * Wipe water drops on the external surface of the refrigerator with a soft cloth.
- * When the refrigerator is opened frequently or stay open too long in humid seasons, the cavity will be dampened.
- * A slight sound will be heard when the liquid refrigerant circulates or when the compressor switches on and off.
- * A slight sound will be heard when defrosted water drops into the evaporating dish.
- * The compressor will operate for comparatively longer periods if excessive quantities of food are stored or the ambient temperature is high.
- * The evaporator will produce odors if the compartment is not cleaned.

Caution: *The refrigerator should never be restarted until a period of at least five minutes has elapsed.*

Please determine the cause of the problem before making any repairs.

Phenomena	Causes
Refrigerator will not start.	<ul style="list-style-type: none"> * Bad connection to power source (plug, socket and fuse) * The temperature knob is at the 0 position * Low voltage
The lamp does not blink.	<ul style="list-style-type: none"> * Bulb failure * Power supply not connected * The temperature knob is at the 0 position
Excessive noise.	<ul style="list-style-type: none"> * Uneven placement * Contact between the refrigerator and a wall or other article
Compressor operates for a long period or temperature does not reach set point.	<ul style="list-style-type: none"> * First time of operation * Excessive food stored * Frequent opening of the refrigerator door due to hot weather * The temperature controller is not set properly * Refrigerator is in direct sunlight, or close to a heat source * Poor ventilation, or dirt on the condenser
Food dry	<ul style="list-style-type: none"> * Food not properly covered or sealed
Strange odor	<ul style="list-style-type: none"> * Failure to seal food properly * Rotting food inside refrigerator * Refrigerator should be cleaned. See "Cleaning"

Entsorgung des Altgerätes

Ausgediente Geräte sofort unbrauchbar machen. Netzstecker ziehen und Anschlußkabel durchtrennen. Schnapp- oder Riegelschlösser entfernen oder zerstören-Sie verhindern damit, daß spielende Kinder sich selbst einsperren und in Lebensgefahr kommen. Kühl- und Gefriergeräte enthalten Isolationsgase und Kältemittel, die eine fachgerechte Entsorgung erfordern. Außerdem enthalten sie wertvolle Stoffe, die einer Wiederverwertung zugeführt werden sollen. Nehmen Sie deshalb zum Entsorgen Ihre zuständige Kommunale Entsorgungsstelle in Anspruch. Bei Fragen wenden Sie sich bitte an Ihre Gemeindeverwaltung oder Ihren Händler. Achten Sie bitte darauf, daß die Rohrleitungen Ihres Kältegerätes bis zum Abtransport zu einer sachgerechten, umweltfreundlichen Entsorgung nicht beschädigt werden.

Entsorgung der Neugeräte-Verpackung

Alle verwendeten Verpackungsmaterialien sind umweltverträglich und wiederverwertbar. Sie können die Verpackung in kleine Teile zerreißen und ins Wertstoffzentrum schicken. Alle wertbaren Materialien können ins Wertstoffzentrum geschickt und durch Behandeln wiederverwendet werden. Anschriften von Wertstoffzentrum für die Entsorgung von Altgeräten erfahren Sie über Ihre Gemeindeverwaltung. Bitte helfen Sie auf diese Weise mit für eine umweltverträgliche Entsorgung bzw. Wiederverwertung.

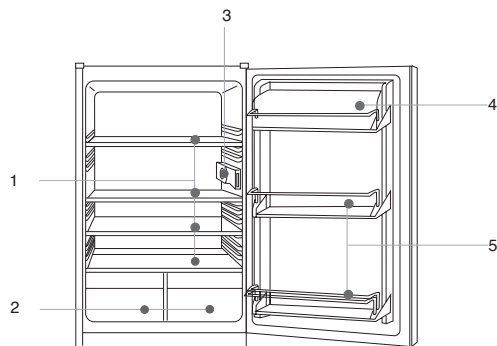
Sicherheitshinweise und Warnungen

Lesen Sie bitte vor Inbetriebnahme des Gerätes die in der Gebrauchs- und Montageanweisung aufgeführten Informationen sorgfältig durch. Sie enthalten wichtige Hinweise für die Installation, den Gebrauch und die Wartung des Gerätes. Gebrauchs- und Montageanweisung ggf. für Nachbesitzer sorgfältig aufbewahren. Der Hersteller haftet nicht, wenn die nachstehenden Hinweise nicht beachtet werden.

- *verwenden Sie zum Reinigen oder Abtauen auf keinen Fall ein Dampfreinigungsgerät. Der Dampf kann an spannungsführende Teile des Gerätes gelangen und einen Kuitschluß oder Stromschlag verursachen.
- *keine elektrischen Geräte innerhalb des Gerätes verwenden.
- *Beschädigtes Gerät nicht in Betrieb nehmen, im Zweifel beim Lieferanten rückfragen.
- *Die elektrische Sicherheit des Gerätes ist nur gewährleistet, wenn das Erdungssystem der Hausinstallation vorschriftsmäßig installiert ist.
- *Im Fehlerfall, bei Wartung und bei der Reinigung Gerät vom Netz trennen. Netzstecker ziehen oder Sicherung ausschalten. Am Netzstecker ziehen, nicht am Anschlußkabel.
- *Reparaturen an Elektrogeräten durchgeführt werden. Durch unsachgemäße Reparaturen können erhebliche Gefahren für den Benutzer entstehen.
- *Hochprozentigen Alkohol nur dicht verschlossen und stehend lagern, außerdem keine explosiven Stoffe im Gerät lagern-Explosionsgefahr.
- *Die Teile des Kältemittelkreislaufes nicht beschädigen, z.B. durch Aufstechen der Kältemittelkanäle des Verdampfers mit scharfen Gegenständen, Abknicken von Rohrleitungen, Abkratzen von Oberflächenbeschichtungen usw. Herausspritzen des Kältemittels kann sich entzündend oder zu Augenverletzungen führen.
- *Be- und Entlüftungsöffnungen für das Gerät nicht abdecken oder zustellen.
- *Kinder nicht mit dem Gerät spielen lassen. Auf keinen Fall sollten sich Kinder z.B. auf Ausyügesetzen oder an die Tür hängen.
- *Bei Gerät mit nachgerüstetem Schloß, Schlüssel außer Reichweite von Kindern aufbewahren.

Bestimmungen

- *Das Gerät eignet sich zum Kühlen von Lebensmitteln, zum Lagern von Tiefkühlkost, zum Einfrieren und zur Eisbereitung.
- *Das Gerät ist für die Verwendung im Haushalt bestimmt.
- *Bei Einsatz im gewerblichen Bereich sind die für das Gewerbe gültigen Bestimmungen zu beachten.
- *Der Kältekreislauf ist auf Dichtheit geprüft.



1. Absteller
2. Gemüseschale
3. Temperaturregler
4. Eierablage
5. Platz für Flaschen

Die Firma arbeitet ständig an der Weiterentwicklung aller Typen und Modelle. Bitte haben Sie deshalb Verständnis dafür, daß wir uns Änderungen in Form, Ausstattung und Technik vorbehalten müssen.

Alle Bauteile auspacken

*Untersatz aus Schaumstoffen bzw. Klebbänder zur Befestigung entfernen, um das Gerät waagrecht aufzustellen. Klebbänder zur Befestigung der Absteller im Kühlraum entfernen.

Beigefügte Zubehöre und Materialien sortieren und zählen

* Artikel im Karton nach der Verpackungsliste überprüfen. Bei Diskrepanz wenden Sie sich bitte an den Lieferant.

Das Gerät am passenden Standort aufstellen

(näheres unter "Aufstellen")

Es empfiehlt sich, das Gerät vor Inbetriebnahme innen zu reinigen.

(näheres unter "Reinigen")

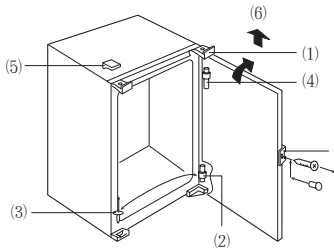
Stillegen

*Das Gerät nach dem Reinigen für mindestens 30 Minuten stillegen, dann einschalten, um es ordnungsgemäß in Betrieb zu setzen.

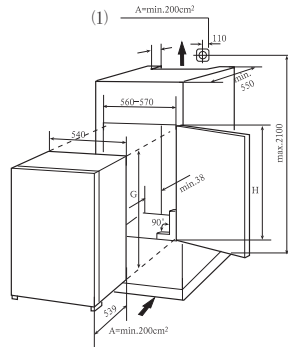
Rechts- und Linkstüranschlag (Abb. A)

Der Anschlag der Gerätetür von links und rechts ist bei diesem Modell möglich.

1. Scharnierwinkel (2) und Schraubendeckel (3) abschrauben, Gerätetür nach vorn abnehmen und beiseite legen;
2. Scharnierbolzen (1) und Federunterlegscheibe an dem oberen Scharnierwinkel (6) heraus- und auf der Gegenseite einschrauben; (Abnehmen des Schraubendeckels (5) gemäß der Kunden)
3. Gerätetür in Scharnierwinkel (6) und (2) einhängen, schließen und Scharnierwinkel anschrauben;
4. Schraubendeckel (3) entfernen und Befestigungsloch auf rechter Seite damit verschließen;
5. Türgriff (4) wechseln und einstellen;
6. Auf festen Sitz aller Schraubverbindungen und Scharnierwinkel achten;



(Abb. A)



(Abb. B)

Be- und Entlüftung (Abb. B)

*Stellen die Küchekabine mit einem Anschlagwinkel waagrecht. Wenn es notwendig ist, nivellieren Sie die Kabine durch Packmaterial darunter.

*Für die Be- und Entlüftung muß an der Rückseite des Schrankes eine senkrechte Abluftlücke von mindestens 38mm Tiefe vorhanden sein.

*Der Entlüftungsquerschnitt unter der Raumdecke sollte mindestens 200cm² betragen.

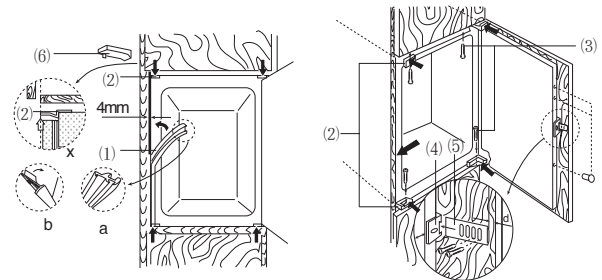
*Prüfen Sie die Position der Steckdose (1). Der Strom (Wechselstrom) und die Spannung müssen mit den Daten auf dem Typschild übereinstimmen.

*Das Typenschild befindet sich neben dem oberen Schubfach, links an der Innenwand.

*Das Gerät muß mit einer vorschriftsmäßig geerdeten Schutzkontakt-Steckdose ans Hauptnetzteil angeschlossen werden.

Einbau (Abb. C)

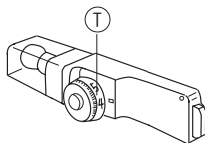
1. Die Position und Funktion der Kabinettür prüfen;
2. Lassen Sie die Schlußkabel in die Kabine einlaufen, damit das eingebaute Gerät mit der Steckdose angeschlossen sein kann. Deckel (6) abnehmen im Fall von eingeschränktem Raum in der Kabine.
3. Stellen Sie das Gerät in die Kabine und halten eine Lücke von 4mm an der Griffseite. Richten die obere und untere Kanten des Scharnierwinkels (2) so aus, damit sie mit der Vorderkante der Kabine einwandfrei angeschlossen sein können. Siehe X
4. Distanzleisten (1) gemäß der Höhe der Kabine schneiden und an die Griffseite anbringen, um die Lücke zwischen dem Gerät und der Seitenwand der Kabine zu schließen (Distanzleisten a in die Lücke hineindrücken). Schutzleisten an dem Plastikprofil b Vor dem Einstecken entfernen.
5. Gerät in die Kabine hineinstellen und in der Kabine waagrecht mit dem Oberteil und dem Boden bündig aufstellen.
6. Türkupplung (4) gemäß der Höhe und der Zahl der Tür einbauen. Die Tür vollständig öffnen, Kupplungsschiebe (5) in die Kabinettür einschrauben und einen Distanz d zwischen den angrenzenden Küchenmöbeln behalten. d=Wanddicke der Kabine. Die Kupplung so einstellen, daß die Griffseite der geschlossenen Kabinettür nicht mit der Kabine in Kontakt kommt. (eine Lücke von ungefähr 1mm für große Geräte), stellen die Kupplung der zweiten Tür, wo es notwendig ist.
7. Freies Loch an der Gerätetür schließen.



(Abb. C)

Einschalten des Kühlschranks

Nach dem Einschalten den Temperatureinstellknopf durch Drehen in Uhrzeigerichtung von Stellung "0" auf irgendeine Stellung zwischen "1-7" drehen. Bei Stellung "0" ist der Kühlschrank ausgeschaltet.

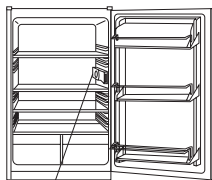


Temperatureinstellung

Die Temperatur wird am Temperatureinstellknopf eingestellt. Die Zahlen "1,2,3,4,5,6,7" bezeichnen keine konkrete Temperatur. Je kleiner die Zahl ist, desto größer die Temperatur; je größer die Zahl, desto kleiner die Temperatur. Wählen Sie eine Regler-Stellung nach Ihren Temperaturvorstellungen.

Zahlen	Verwendungszeit
1 - 2	Im Sommer, Umgebungstemperatur 25 - 35°C
3 - 4	Im Frühling und Herbst, Umgebungstemperatur 15-25°C
4 - 5	Im Winter, Umgebungstemperatur 5-15°C
6 - 7	Bei Superfroststellung

Achtung: Beachten Sie, daß sich bei Veränderungen des Temperaturreglers der neue Wert nur langsam einstellt, er ist abhängig von der Umgebungstemperatur, der Häufigkeit des Türöffnens und der Beschickung.



Temperaturregler

Beschickung der Lebensmittel

Der Kühlschrank für 1-2 Stunden leerlaufen lassen (längere Zeit bei höherer Umgebungstemperatur). Lebensmittel erst dann hineinstellen, wenn es im Kühlschrank kalt ist.

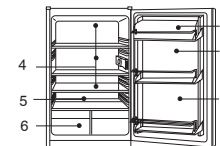
Für kurzfristiges Lagern der Lebensmittel den Kühlschrank verwenden

Die durchschnittliche Temperatur von 0°C-10°C im Kühlschrank ist für langfristiges Lagern der Lebensmittel nicht kalt genug und kann nur für kurzfristiges Lagern der Lebensmittel verwendet werden.



Einordnungsbeispiel:

- 1 Eier, Butter;
- 2 Eingesalzte Produkte, Gewürze
- 3 Getränke, Konserven
- 4 Backwaren, fertige Speisen, Molkereiprodukte
- 5 Fleisch, Wurst
- 6 Obst, Gemüse, Salate



Hinweise zum Kühlschrank

* Heiße Speisen und Getränke vor dem Einlegen in den Kühlschrank auf Zimmertemperatur abkühlen.

* Vor dem Lagern Lebensmittel waschen und Wasser abwischen.

* Vor dem Einlegen Lebensmittel mit Verpackung verschließen, um Wasserdampf und Geruchübertragung zu vermeiden.

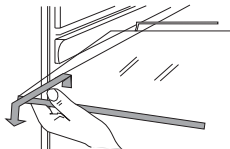


* Den Kühlschrank nicht mit Lebensmitteln überfüllen. Einen Abstand unter den Lebensmitteln und zwischen den Lebensmitteln und der Innenwand des Gerätes beim Lagern beachten.

* Die Waren portionsgerecht für Ihren Haushalt sortieren und abpacken. Das am Kürzesten zu verwendende Lebensmittel in vorderen Teil der Abstellroste einlegen, um unnötiges langes Öffnen der Gerätetür zu vermeiden.

Die Absteller abwaschen

* Zum Herausnehmen die Absteller mit beiden Händen nach oben wegschwenken.



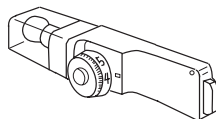
Innenbeleuchtung und Auswechseln der Glühlampe

* Glühlampendaten: 220-240V, 15W

* Fassung: E 14 (auf keinen Fall eine Lampe mit mehr als 15 W einsetzen)

* Beim Auswechseln der Glühlampe Netzstecker ziehen.

* Abdeckblende abziehen, kaputte Glühlampe gegen die Uhrzeigerichtung drehen und neue Glühlampe auswechseln.



Hinweise zum Kühlen

* Gemüse in Wachstumsrichtung aufbewahren, um die Lagerdauer zu verlängern.



* Beim Lagern von Rettich die Blätter wegschneiden, um dadurch die Absorption von Nährstoffen zu vermeiden.



* Beim Hineinlegen von Flaschen auf die Absteller in der Tür Serviette unterlegen - Reinigen der Tür wird erleichtert.



* **Nicht unbedingt zu kühlende Artikel:**
Zwiebel, Paprika, Knoblauch, Ingwer, Wassernuß.



* **Nicht zum Kühlen geeignete Artikel:** Flaschenkürbis, Melone, Banane, Ananas. Beim Kühlen wird der Stoffwechsel gefördert. Unreifes Obst im Kühlschrank lagern.



Abtauen des Kühlschranks

Der Kühlschrank taut automatisch ab. Das Tauwasser wird im Verdunstungsbehälter gesammelt und automatisch verdunstet.



Achtung: das Tauwasser durch die Abflußöffnung oberhalb der Gemüseschalen unbehindert abfließen kann. Gegenfalls die Abflußöffnung mit einem spitzen Gegenstand durchstoßen.

Reinigen

Lebensmittelreste können zu Geruchsbildung führen. Daher ist ein regelmäßiges Reinigen des Gerätes zu empfehlen.

- * Vor dem Reinigen den Netzstecker ziehen Gerät mit weichem Tuch oder Schaumgummi in lauwarmem Wasser, dem geringe Zusätze von neutralem Spülmittel beigegeben werden können, reinigen. Spitze oder Stahlbürste und folgende chemikalische Lösungsmittel dürfen nicht verwendet werden: Scheuermittel oder Lack, Amylzetat, heißes Wasser bzw. Säure und alkalihaltige Putzmittel usw.
- * Mit einem Lappen trocknen
 - (1) das Gerät nicht mit Wasser übergießen
 - (2) Lappen oder Schaumgummi zum Reinigen der "Schalter" trocknen
- * Auf das Reinigen der Türdichtung achten
- * Staub hinter dem Gerät regelmäßig reinigen - bessere Wärmeausströmung.

Außer Betrieb setzen

Soll das Gerät längere Zeit außer Betrieb gesetzt werden, muß die Ein-Aus-Taste gedrückt und der Netzstecker gezogen werden. Das Gerät wie beschrieben reinigen. Weiterhin müssen während der Außerbetriebsetzung die Gerätetüren offenstehen, um Geruchsbildung zu vermeiden.

Achtung: Normalerweise soll das Gerät nicht außer Betrieb gesetzt werden, sonst wird die Lebensdauer des Gerätes verkürzt.

Bei Stromausfall

Aufbewahren der Lebensmittel bei Stromausfall ist auch im Sommer innerhalb von ein paar Stunden problemlos. Wenn Sie sich von einem Stromausfall erfahren,

- * keine neuen Lebensmittel in den Gefrierraum stellen;
- * das Gerät möglichst geschlossen halten;
- * Achtung: Temperaturerhöhungen im Gefrierraum, verursacht durch einen möglichen Stromausfall oder andere Störungen, verringert sich die Lagerzeit der Lebensmittel sowie ihre Qualität.

Im Urlaub

- * Leicht verdorbene Lebensmittel herausnehmen, die normale Temperatureinstellung überprüfen und die Tür gut schließen.
- * Lebensmittel herausnehmen, Reifschicht entfernen, Innenseite reinigen und Tür offenstehen lassen, wenn Sie im Urlaub sind und das Gerät ausschalten.

Altes Gerät beiseitestellen

- * Gerätetür abnehmen, um zu verhindern, daß spielende Kinder sich selbst einsperren und damit in Lebensgefahr kommen.

Transport

- * Netzstecker ziehen.
- * Alle Lebensmittel vom Kühlschrank herausnehmen.
- * Absteller und Gemüseschale mit Klebbändern befestigen.
- * Gerätetür schließen und mit Klebbändern befestigen.

Folgende Erscheinungen sind normal:

- * Teilweise Temperaturerhöhung des Gerätes und hohe Temperatur des Kompressors bei erster Inbetriebnahme des Gerätes;
- * Wasser an der Außenseite des Gerätes bei hoher Raumfeuchtigkeit - mit weichem Tuch reinigen;
- * Wasser im Gefrierraum durch häufiges oder langes öffnen der Gerätetür in feuchter Jahreszeit;
- * Fließgeräusch des Kühlmittels; leichtes Geräusch des Kompressors beim Ein- und Ausschalten;
- * Fließgeräusch des Tauwassers in den Verdunstungsbehältern;
- * Längere automatische Betriebszeit bei der Beschickung der Lebensmittel oder bei höherer Umgebungstemperatur.
- * Stinkender Geruch der Verdunstungsbehälter - verursacht von dem Schmutz des Kühlraums - regelmäßiges Reinigen des Kühlraums beachten.

Achtung: Ein Zeitabstand von mindestens 5 Minuten zwischen Ausschalten und neuem Einschalten ist erforderlich.

Vor der Reparatur müssen folgende Sachen bestätigt werden.

Erscheinungen	Mögliche Ursache
Keine Kühlleistung	<ul style="list-style-type: none"> * Das Gerät ist nicht ans Stromnetz angeschlossen (Stecker, Steckdose, Sicherung usw.); * Der Temperatureinstellungsknopf auf der Stellung "0"; * Zu niedrige Netzspannung.
Lampe leuchtet nicht	<ul style="list-style-type: none"> * Glühlampe kaputt; * Das Gerät ist nicht ans Stromnetz angeschlossen; * Der Temperatureinstellungsknopf auf der Stellung "0".
Bei ungewöhnlichen Geräuschen	<ul style="list-style-type: none"> * Der Boden ist nicht eben oder eben genug; * Berührung eines Geräteteils mit Fremdkörper oder Wand.
Langes Laufen des Kompressors und zu hohe Temperatur	<ul style="list-style-type: none"> * Bei erster Inbetriebnahme; * Beschickung großer Mengen Lebensmittel; * Häufiges Öffnen der Gerätetür; * Falsche Temperatureinstellung; * Sonnenbestrahlung oder zu nah an Ofen und Heizquelle; * Schlechte Be- und Entlüftung; dreckiger Kondensator.
Trockene Lebensmittel	<ul style="list-style-type: none"> * Lebensmittel nicht gut abgedeckt, verpackt oder verschlossen.
Ungewöhnlicher Geruch	<ul style="list-style-type: none"> * Lebensmittel mit starkem Geruch nicht richtig verpackt; * Verdorbene Lebensmittel; * Das Gerät soll gereinigt werden, näheres unter "Reinigen".

Mise au rebut de votre ancien appareil

*Rendez votre ancien appareil inutilisable avant de vous en debarrasser. Tirez la fiche et sectionnez le cable de branchement. Devissez la serrure-vors evitez ainsi que des enfants s'y enferment accidentellement.

*Les refrigerateurs et congelateurs contiennent des gaz isolants et des produits refrigerants qui doivent etre jetes avec toutes les precautions necessaires/ Par ailleurs,ils contiennent des matieres precieuses qui doivent etre recuperees.

*Prenez contact avec votre mairie ou avec un organisme competent en la matiere lorsque vous vous debarrassez d'un appareil. Si vous avez des questions adressez vous vers votre revendeur ou bien vers la mairie. Jusqu'a l'enlevement, verifiez bien que le circuit frigorifique de votre refrigerateur n'est pas endommage.

Mise au rebut de l'emballage des nouveaux appareils

*Vous pouvez jeter sans danger les emballages usites des nouveaux appareils.

*Le carton peut etre au recycle.

*Les housses sont en polyethylene(PE) et les cales en polystyrene libre(PS).

*Ces matieres peuvent etre recyclees afin d'etre reutilisees, pour cela, deposez-les dans un centre prevu a cet effet.

Conseils de securite et consignes

*Avant de proceder a la mise en marche de l'appareil, veuillez lire attentivement les notices d'utilisation et de montage. Elles vous seront tres utiles pour l'installation, l'utilisation et l'entretien de votre appareil.

*Conservez des notices. Elles pourraient servir a une autre personne si vous revendez votre appareil.

*La responsabilite de constructeur n'est pas engagee si les conseils suivants ne sont pas respectes.

*Ne mettez pas en marche un appareil endommage. Dans le doute, demandez conseil a votre revendeur.

*Votre systeme de mise a la terre doit etre installe conformement aux prescriptions en vigueur. La securite de l'appareil en decoule.

*Avant de proceder au nettoyage, ayez soin de debraucher votre appareil. Pour cela , retirez la fiche mais ne tirez pas sur le cable.

*Les reparations sur des appareils electriques ne doivent etre faites que par des specialistes. Toute reparation faite par une personne non competente peut engendrer de graves risques pour l'utilisateur.

*N'endommagez pas les parties du circuit frigorifique . N'utilisez pas d'objets pointus ou coupants (couteaux). En effet, si du produit refrigerant venait a gicler et par consequent a entrer en contact avec les yeux, vous risqueriez de vous blesser serieusement .

*Ne masquez pas les grilles d'aeration.

*Ne vous appuyez pas sur le socle, les clayettes, les poutres etc....

*Ne laissez pas les enfants jouer avec l'appareil.

*Si l'appareil est muni d'une serrure,ne mettez pas les clefs a la portee des enfants.

Domaines d'application

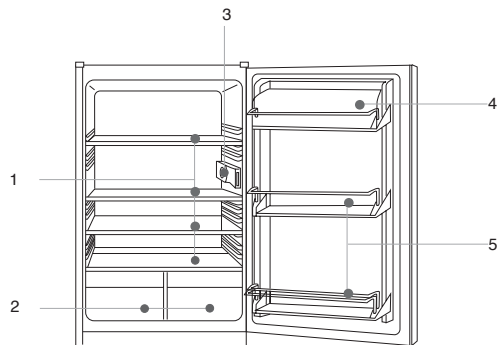
*Cet appareil est destine a garder au frais , stocker des produits congeles de petite quantite , refrigerer de denrees et a preparer des glacons.

*Il est concu pour un usage domestique.

*En cas d'utilisation commerciale, veuillez respecter les directives regissant le commerce en question.

*L'etancheite du circuit froid a ete controlee.

*Cet appareil est conforme aux prescriptions de securites relatives aux appareils electriques.



1. Clayette
2. Bac à légumes
3. Thermostat
4. Boîte à oeufs
5. Porte-bouteille

Cette notice d'utilisation peut varier légèrement avec le tracé du réfrigérateur que vous venez d'acheter en raison des améliorations techniques.

Déballage

Enlever tous les cartons et des scotchs à fixer les accessoires afin de mettre le réfrigérateur plat. Avant utiliser le réfrigérateur il faut enlever des scotchs afin de tirer les clayettes.

Vérification des accessoires et de la documentation ci-jointe.

Contrôler la présence des articles en se référant à la liste. Contacter le distributeur local en cas de désaccord.

S'assurer du bon emplacement du réfrigérateur.

(se référer à la section "Emplacement")

Nettoyer le réfrigérateur avant de l'utiliser.

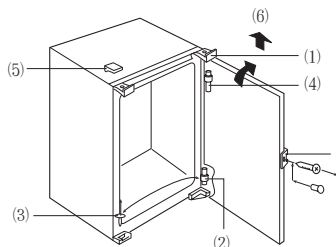
(Voir la section suivante "Nettoyage")

Laisser reposer le combiné plus de 30 minutes avant de le mettre en marche. Il est recommandé de procéder à un nettoyage complet avant la première mise en service.

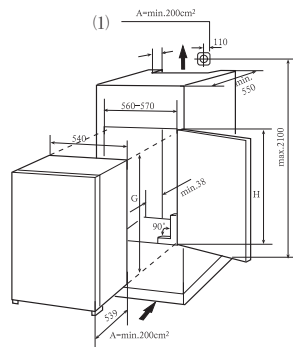
Gauche/Droite Ouverture de Porte (Fig. A)

La porte peut être ouverte en deux sens selon votre demande. Suivre les instructions ci-après pour ouvrir la porte à la gauche.

1. Enlever la charnière inférieure (2) et le cache (3), et déposer légèrement la porte en la retirant par le bas et la mettre à côté.
2. Enlever le pivot (1) sur la charnière supérieure (6) et dévisser la rondelle les réinstaller dans la position correspondante à gauche (l'enlève du cache peut être exécuté selon les demandes des consommateurs).
3. Installer légèrement la porte dans la position de la charnière supérieure (6) et de la charnière inférieure (2) non-fixée, et installer la charnière inférieure (2) à la position correspondante à gauche, et la visser.
4. Placer le cache (3) dans les trous libérés par la charnière inférieure à droite.
5. Réinstaller (4) à la position correspondante.
6. Après l'installation, ouvrir et fermer la porte plusieurs fois pour s'assurer que les vis et pivots de charnière sont bien en place et qu'il n'y a pas de bruit anormal.



(Fig.A)



(Fig.B)

Ventilation (Fig.B)

*Placer l'unité de placard de cuisine à l'aide d'un niveau et une équerre. Au besoin, caler au dessous de l'unité pour le mettre en plat.

*Un écart minimum de 38 mm doit être maintenu au dos de l'appareil pour une meilleure ventilation.

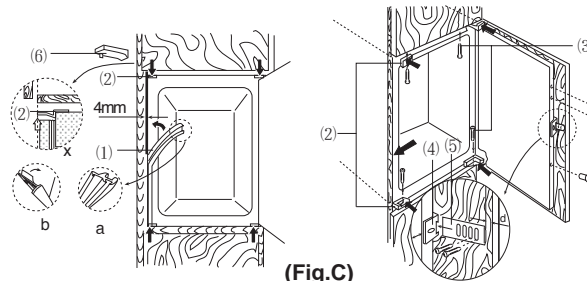
*L'arrivée d'air A doit être au moins 200 cm et l'air doit couler par le panneau dans le piédestal du placard.

*Vérifier que la position de la douille d'alimentation (1) est exacte.

*La tension de COURANT ALTERNATIF doit se conformer à laquelle indiquée dans le plaque de données sur le plaque interne à gauche de l'appareil qui se trouve à côté des bac à légumes. L'alimentation doit être convenablement mise à terre.

Installation (Fig.C)

1. Vérifier que la porte d'unité de cuisine est dans la position exacte.
2. Introduire le câble principal par l'unité afin de pouvoir brancher à l'alimentation après avoir installé l'appareil. Enlever le couvercle (6) seulement si l'espace est limité.
3. Placer l'appareil dans l'unité de cuisine, en laissant un écart de 4 mm au côté de poignée de l'appareil. Aligner les bords supérieurs et inférieurs avec la charnière (2) tel qu'ils sont au ras du bord devant d'unité. Voir le détail X.
4. Couper le joint de porte (1) d'une longueur de l'unité de cuisine et l'attacher au côté de poignée de l'unité pour combler l'écart entre l'appareil et la paroi de l'unité de cuisine (mettre la bande (A) dans l'écart). Tirer dehors la bande protectrice sur le profil plastique avant l'insertion.
5. Pousser l'appareil contre la paroi de côté de l'unité et s'assurer une position juste (3).
6. Installer les éléments à connecter (4) conformément à la hauteur de poignée et la dimension de porte. Ouvrir entièrement la porte et insérer la pièce à connecter (5) et le visser dans l'unité en laissant une distance (d) au bord de la porte (d = l'épaisseur de la paroi). Ajuster l'élément à connecter pour que le côté de poignée de la porte d'unité ne pas toucher la paroi d'unité quand la porte est fermée. (Approximativement 1 mm écart pour les grands appareils), installer l'élément à connecter de la deuxième porte.
7. Boucher les trous libérés sur la porte de l'appareil.



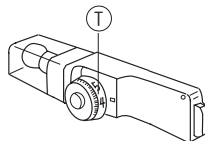
(Fig.C)

Démarrer le réfrigérateur

Après avoir branché la prise, tourner le thermostat (T) de la position "0" à une certaine position (1-7) au sens des aiguilles d'une montre, et le réfrigérateur fonctionne. Quand le thermostat est réglé à la position "0", le réfrigérateur cesse de fonctionner.

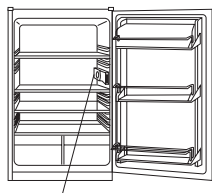
Régler la température interne

La température est réglée en tournant le thermostat. Les chiffres "1,2,3,4,5,6,7" ne présentent pas les températures précisées: le plus petit est le chiffre, la température est plus élevée. Régler le thermostat selon des différents besoins en se référant à la liste ci-dessous:



Position	Cas de l'utilisation
1-2	Eté, température ambiante: 25~35°C
3-4	Printemps, automne, température ambiante: 15~25°C
4-5	Hiver, température ambiante: 5~15°C
6-7	Congélation rapide

Attention: Il faut attendre quelque temps pour atteindre la température souhaitée après le réglage du thermostat. Ce temps dépend de la température ambiante, de la fréquence d'ouverture de la porte et de la quantité d'aliments chargés.



Thermostat

Introduire les aliments dans le réfrigérateur

Laisser le réfrigérateur fonctionner pendant un ou deux heures avant de le charger (la température élevée fait le temps durer un peu longtemps) et introduire les aliments lorsque la température est suffisamment basse.

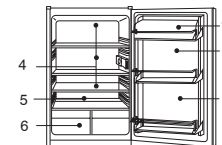
Le réfrigérateur est utilisé pour conserver les aliments sur une courte période.

Bien que la température, dans la plupart des parties du réfrigérateur puisse être réglée entre 0 et 10 degrés, une conservation de longue durée n'est pas recommandée. Le réfrigérateur doit être seulement utilisé pour la conservation à court terme.



Chargement du réfrigérateur

- 1 Oeufs et beurre
- 2 Conserves et épicerie
- 3 Boissons et aliments en bouteille
- 4 Pain, aliment cuit, produit laitier
- 5 Viande et saucisson
- 6 Fruits, légumes, salade



Remarques pour la mise en conservation

- * Laisser refroidir à la température ambiante les aliments chauds avant de les introduire dans le réfrigérateur.
- * Essuyer les gouttelettes d'eau sur les aliments avant de les introduire dans le réfrigérateur.



- * Il est recommandé que les aliments soient scellés dans des sacs d'emmagasinage convenables avant de les introduire dans le réfrigérateur, pour empêcher que l'humidité des aliments ne s'évapore, pour éviter que les légumes et fruits ne s'abîment ou ne prennent l'odeur des autres produits.



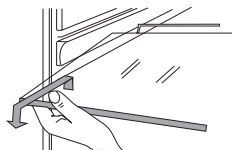
Instructions pour l'utilisation

* Ne pas trop charger le réfrigérateur et ne pas mettre les aliments en contact avec les parois internes du congélateur afin d'éviter que les aliments conservés ne collent aux parois.

* Ranger les aliments selon des besoins du consommateur. Les aliments quotidiennement consommés doivent être mis dans un endroit facilement accessible afin de réduire le temps d'ouverture de la porte.

Sortir et nettoyer les clayettes

* Sortir légèrement les clayettes suivant la figure afin d'empêcher de les abimer.



Eclairage interne et remplacement de l'ampoule

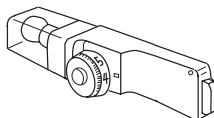
Ampoule: 220-240V , 15W

Attention: Porte-ampoule E14 (en aucun cas une ampoule d'une puissance supérieure à 15W ne devra être utilisée)

* Débrancher l'appareil ou couper l'électricité et sortir le plateau de l'eau.

* Enlever l'abat-jour et dévisser l'ampoule en tournant dans le sens inverse des aiguilles d'une montre selon la figure.

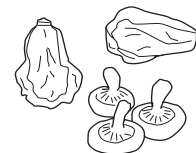
* Remplacer la lampe en tournant dans le sens des aiguilles d'une montre.



Instructions pour l'utilisation

Informations de l'utilisation du réfrigérateur

*La période d'emmagasinage sera allongée si les légumes sont mis avec leurs racines vers la source froide.



*Les feuilles des carottes ou des navets doivent être enlevés avant l'emmagasinage.



*Mettre les papiers de serviette au dessous des bouteilles afin de garder la propreté de la porte.



*Oignons, aulx, gingembre, châtaignes d'eau et autres légumineuses n'ont pas besoin d'être mis dans le réfrigérateur.



*Certains fruits tropicaux, tels que les bananes et les ananas, ne devraient pas être mis dans le réfrigérateur car ceci risque d'accélérer leur maturation.



Dégivrage

*Le congélateur est conçu pour dégivrer automatique. Le givre formé sur le mur postérieur fondra et coulera via l'orifice d'évacuation du récipient d'évaporation au dessus du compresseur au dos du réfrigérateur, où la chaleur engendrée par le compresseur évaporerait l'eau. Il est normal qu'il se forme des gouttelettes de gelée et d'eau sur le mur postérieur du compartiment réfrigérateur.

Orifice d'évacuation



Attention: Toujours maintenir l'orifice d'évacuation dégagé au dessus du bac à légumes pour assurer l'écoulement normal de l'eau de dégivrage. Au besoin, dégager l'ouverture à l'aide de l'outil pointu fourni.

Nettoyage

Le congélateur devrait être régulièrement nettoyé afin d'empêcher la formation de mauvaises odeurs.

* Débrancher le combiné avant le nettoyage.

* Nettoyer le combiné avec un tissu doux ou une éponge trempée dans l'eau tiède. (un détergent neutre est utilisable). Ne pas utiliser de brosse dure, de brosse d'acier, de détergent, d'essence ou de dissolvants, d'eau chaude, d'acide ou d'alcali pour le nettoyage.

* Essuyer le dépôt d'eau sur la surface du combiné avec un tissu sec

1) ne pas arroser le congélateur avec l'eau pour le nettoyage.

2) ne pas utiliser de quantités excessives d'eau pour nettoyer le réfrigérateur en l'arrosant et utiliser un tissu sec pour nettoyer les parties électroniques telles que l'interrupteur et l'ampoule.

* Toujours garder le joint de porte de caoutchouc propre.

* Nettoyer le dos et les côtés du réfrigérateur régulièrement.

Cessation de l'utilisation

Si l'appareil reste inactif pendant une longue période, débrancher le combiné et le nettoyer en suivant les instructions. Garder la porte du combiné ouverte pour empêcher les mauvaises odeurs.

Pendant une coupure de courant

Même en été, les aliments peuvent être bien conservés pendant quelques heures après une coupure de courant.

* Ne pas introduire d'aliments supplémentaires dans le réfrigérateur pendant une coupure de courant.

* Ne pas ouvrir la porte inutilement.

* Si vous êtes informés d'une coupure de courant, fabriquer quelques glaçons et les mettre dans un récipient placé dans le haut du réfrigérateur.

* La température dans le réfrigérateur s'élèvera pendant une coupure de courant ou en cas de problèmes techniques, et la période de conservation sera réduite.

Attention: en général, il vaut mieux laisser l'appareil toujours actif pour prolonger son bon fonctionnement

Pendant les vacances

* Enlever les aliments qui peuvent s'abîmer facilement si les vacances sont courtes. Régler le thermostat à la position juste, et s'assurer que la porte du réfrigérateur est bien fermée.

* Si les vacances sont longues, sortir les aliments du réfrigérateur et débrancher l'appareil. Quand la glace est fondue, nettoyer et sécher le combiné, et ouvrir la porte.

Quand vous abandonnez réfrigérateur

* Enlever la porte afin d'éviter les risques de l'entrée des enfants.

Pour le déménagement de l'appareil

* Débrancher l'appareil.

* Sortir tous les aliments.

* Accrocher les pièces mobiles tels que calejettes, bac à légumes, tiroir de congélateur.

* Fermer et fixer la porte du réfrigérateur avec du scotch.

Les événements ci-dessous de ne sont pas des problèmes:

- * Le compresseur fonctionnera plus longtemps si l'on a introduit des quantités excessives ou si la température ambiante est élevée.
- * Sécher la buée sur la surface externe du combiné avec un tissu doux.
- * En saison humide, l'ouverture fréquente et de longtemps crée l'air humide interne.
- * Le liquide réfrigérant coulant dans l'évaporateur produit un bruit d'eau.
- * L'eau coulée dans l'évaporateur produit un léger bruit après le dégivrage.
- * Quand la température des aliments ou la température ambiante sont élevées, le fonctionnement du compresseur durera un peu long.
- * L'évaporateur du compresseur crée une mauvaise d'odeur si le réfrigérateur n'est pas propre. Il faut nettoyer le réfrigérateur régulièrement.

Attention: ne jamais rebrancher le réfrigérateur avant d'avoir attendu au moins cinq minutes.

Avant la réparation, vérifier

Phénomènes	Causes
Le combiné ne travaille pas.	<ul style="list-style-type: none"> * Si l'appareil est branché (la prise, la douille et le fusible). * Si le thermostat reste à la position "0" * Si la tension est basse.
La lampe ne s'allume pas.	<ul style="list-style-type: none"> * Si l'ampoule est abimée. * Si la prise est branchée. * Si le thermostat reste à la position "0"
Le bruit est très grand.	<ul style="list-style-type: none"> * Si l'appareil est placé de niveau. * Si le combiné est en contact avec un mur ou un autre meuble.
Le compresseur fonctionne sans arrêt ou la température interne n'est pas assez basse.	<ul style="list-style-type: none"> * Si c'est la première mise en service. * Si une grande quantité d'aliment est introduite. * Si le temps est chaud et l'ouverture est fréquente. * Si la température indiquée sur le thermostat n'est pas bien réglée. * Si le réfrigérateur est au soleil ou près d'une source de chaleur. * Si l'aération est mauvaise: les deux côtés du combiné ne sont pas dégagés, ces deux côtés ne sont pas propres.
L'aliment est sec.	<ul style="list-style-type: none"> * Si l'aliment n'est pas bien emballé.
Mauvaise odeur dans le combiné.	<ul style="list-style-type: none"> * Si l'aliment présentant une forte odeur est bien emballé. * Si aucun aliment n'est abimé. * Si l'intérieur du réfrigérateur doit être nettoyé, se référer à la section de "Nettoyage".

Afvoeren van het oude apparaat

Afgedankte apparaten onmiddellijk onbruikbaar maken, d.w.z. stekker uit het stopcontact trekken, aansluitkabel doorknippen en een zelfsluitend slot of een klinksluiting verwijderen resp. onklaar maken. Hiermee voorkomt u dat kinderen zichzelf tijdens het spelen in het apparaat opsluiten en in levensgevaar geraken.

Koel- en diepvriesapparaten bevatten isolatiegassen en koelmiddelen die zorgvuldig moeten worden afgevoerd. Bovendien bevatten deze apparaten waardevolle grondstoffen die na bewerking opnieuw gebruikt kunnen worden. Vraag daarom bij het wegdoen van uw oude apparaat advies aan de gemeentelijke reinigingsdienst of bij uw leverancier. Met het oog op een doelmatige en milieuvriendelijke afvoer mogen de leidingen van de koelmachine tot het moment van transport niet beschadigd worden.

Wegdoen van de verpakking van uw nieuwe apparaat

U kunt het

Verpakkingsmateriaal van uw nieuwe apparaat zonder problemen wegdoen. Het karton kunt u in stukken snijden en in de papierbak doen. Het foliemateriaal is van polyetheen (PE) en het opvulmateriaal is van polystyreen (PS) zonder CFK's. Als u deze waardevolle stoffen bij een daarvoor bestemd inzamelpunt afgeeft, kunnen ze aan bewerking opnieuw gebruikt worden (kringloop). Het dichtstbijzijnde adres van een dergelijk inzamelpunt, zowel voor verpakkingen als voor apparaten, kunt u aanvragen bij de gemeente.

Veiligheidsvoorschriften en waarschuwingen

Lees voordat u het apparaat in gebruik neemt het bijgesloten drukwerk nauwkeurig door.

U vindt daarin belangrijk aanwijzingen voor het installeren, het geruik en het onderhoud van het apparaat.

Bewaar het drukwerk zorgvuldig voor een eventuele latere bezitter van het apparaat.

De fabrikant aanvaardt geen aansprakelijkheid als de volgende aanwijzingen niet in acht worden genomen.

*Een (bijv. tijdens het transport) beschadigd apparaat niet installeren. In twijfelgevallen eerst contact opnemen met de Servicedienst of de leverancier.

*Het apparaat uitsluitend volgens het installatievoorschrift plaatsen en aansluiten.. De elektrische aansluitvoorwaarden en gegevens moeten met de gegevens op het typeplaatje overeenkomen.

*De elektrische veiligheid van het apparaat wordt alleen dan gegarandeerd als het aardingssysteem van de huisinstallatie volgens de geldende elektrotechnische voorschriften is genistalleerd.

*In geval van een storing, bij onderhoudswerkzaamheden en voor het schoonmaken de stekker uit het stopcontact trekken resp de zekering in de meerkast uitschakelen of losdraaien. Altijd aan de stekker trekken, nooit aan de aansluitkabel.

*Reparaties aan elektrische apparaten mogen alleen door een vakkundig monteur worden uitgevoerd. Ondestunkige reparaties kunnen gevaar voor de gebruiker opleveren.

*Dranken met een hoog alcohol-percentages altijd goed gesloten en rechtop bewaren. Geen explosieve stoffen in het apparaat opslaan-gevaar voor explosie.

*Zorg dat de onderdelen van het koelcircuit niet beschadigd worden door bijv. met een scherp voorwerp in de koelleidingen van de verdampers te prikken, door een knik in de leidingen, door krassen in de oppervlaktelaag ena. Koelmiddel dat naar buiten spuit, kan tot oogletsel leiden.

*De be- en ontluuchttingsopeningen mogen nooit afgedekt worden.

*Plint, uittrekbare manden, deuren enz. niet als opstapje gebruiken of om op te leunen.

*Kinderen niet met het apparaat laten spelen.

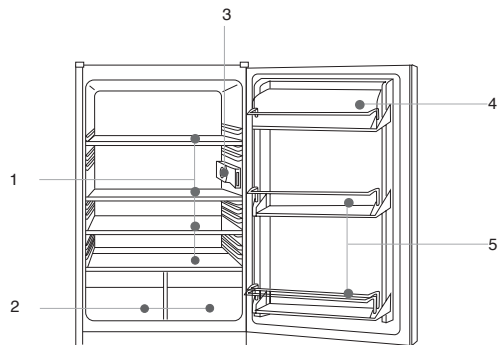
*Ze mogen in elk geval nooit op de uittrekbare manden gaan zitten of aan de deur hangen.

*Als u een apparaat met een slot hebt, bewaar de sleutel dan buiten het bereik van kinderen.

Bepalingen

Het apparaat is bestemd voor het koelen van levensmiddelen, om diepvriesprodukten op te slaan, kleine hoeveelheden levensmiddelen in te vriezen en ijsblokjes te maken.

Het is voor huishoudelijk gebruik bestemd. Bij gebruik voor bedrijfsdoeleinden moeten de daarvoor geldende bepalingen in acht worden genomen.



1. Schappen
2. Groente- en fruitschaal
3. Temperatuur-regelaar
4. Eierrek
5. Flessenrek

De firma werkt steeds verder aan de ontwikkeling van alle types en modellen. Heb er daarom begrip voor dat wij kleine veranderingen in vorm, design en techniek voorbehouden moeten.

Alle onderdelen uitpakken

Om het apparaat waterpas te stellen; piepschuim en tape verwijderen.

Bijgeleverde artikelen en materialen sorteren en tellen

Artikelen in het karton vergelijken met de verpakingslijst. Mochten er zaken niet overeenstemmen kunt u zich tot de leverancier wenden.

Het apparaat op een geschikte locatie neerzetten

(zie "Plaatsing")

Het is aan te bevelen het apparaat voor ingebruikname schoon te maken.

(zie "Schoonmaken")

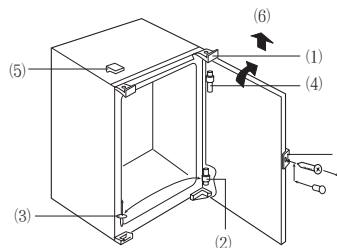
Uitzetten

Het apparaat na reiniging minstens 30 minuten uitschakelen en daarna pas aanzetten.

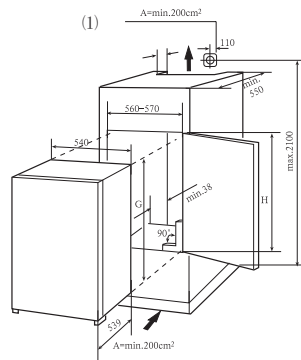
Handleiding voor verwisselen draairichting deur (Figuur A)

Bij dit model is het mogelijk de deur links en rechts te openen. De onderstaande beschrijving is voor het openen van de deur vanaf de rechterkant.

1. Verwijder scharnierpen (2) en schroefgat afdekking (3), pak deur af en leg apart;
2. Verwijder bovenste scharnier (6), pen (1) en veer. Breng deze op dezelfde positie links aan. (Scharnierafdekking (5) ook verwisselen naar links);
3. Plaats de deur voorzichtig in de bovenste (6) en onderste (2) scharnieren. Draai de onderste schroeven vast;
4. Plaats de schroefgat afdekking (3) over oorspronkelijke scharnier rechts;
5. Verwissel component (4) naar de corresponderende positie;
6. Open en sluit de deur verschillende malen ter controle;



(Figuur A)



(Figuur B)

Ventilatie (Figuur B)

*De ondergrond moet waterpas en even zijn. Oneffenheden wegwerken door een vaste, even bodemlaag aan te brengen.

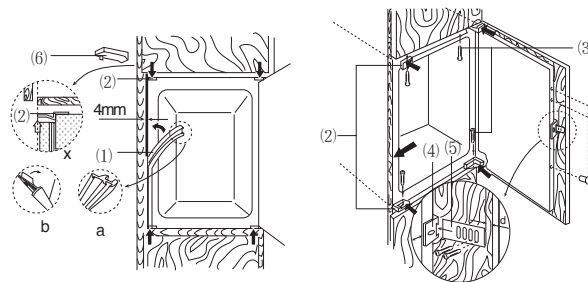
*Aan de achterkant van het apparaat moet minstens 38 mm ventilatieruimte zijn.

*Luchtaanvoer A moet minstens 200 vierkante cm zijn en luchttoevoer moet open zijn.

*Controleer of de positie van de stekker (1) goed is. AC voltage moet geschikt zijn, zie hiervoor het dataschildje dat zich aan de linkerbinnenkant, naast de groentelade, van het apparaat bevind. Stopcontact moet geaard zijn.

Installatie (Figuur C)

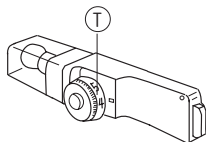
1. Controleer of de koelkastdeur in de juiste draairichting open gaat.
2. Zorg ervoor dat de hoofdstekker een dusdanige positie heeft, dat deze na installatie gemakkelijk aangesloten kan worden. Verwijder verpakking (6) alleen als er te weinig ruimte is.
3. Plaats het apparaat op een dusdanige manier in het keukenblok dat er een ruimte van 4mm overblijft aan de kant waar u de deur opent. Stel de boven- en onderkant van de steunhaken (2) dusdanig in dat de voorkant van d koelkast aansluit bij de rest van het keukenblok. Zie detail X.
4. Isoleerstrip (1) op maat snijden en op de kant aanbrengen waar u de deur opent om de ruimte tussen apparaat en rest keukenblok te sluiten. (duw de strip (a) in de ruimte). Verwijder bescherm laag van het plastic profiel alvorens aanbrengen.
5. Duw het apparaat tegen het zijpaneel van het keukenblok, en bevestig het onder en boven (3).
6. Breng de verbindende elementen (4) van de deur aan op de juiste hoogte. Houd rekening met het aantal deuren. Open de deur, breng de verbingsstaaf (5) aan, en schroef deze in de deur van het keukenblok. Houd hierbij een afstand (d) aan tot de rand van de deur (d=dikte van het paneel). Breng het verbindingselement dusdanig aan dat de kant waar de deur opent, in gesloten toestand geen contact maakt met de rest van het blok. (Ong. 1mm ruimte voor grote apparaten). Bevestig het tweede verbindende element van de deur op de juiste plek aan.
7. Dicht de opening in de koelkastdeur.



(Figuur C)

Aanzetten koelkast

Na aanzetten de temperatuurregelaar met de klok mee van instelling "0" naar een instelling tussen "1-7" draaien. Bij instelling "0" is de koelkast uitgeschakeld.

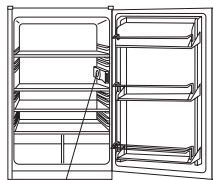


Temperatuurinstelling

De temperatuur wordt met behulp van de temperatuurschakelaar ingesteld. De getallen 1 tot en met 7 geven verschillende temperaturen weer; van hoog naar laag.

Getallen	Conditie
1-2	In de zomer, bij een omgevinstemperatuur van 25 - 35 °C
3-4	In de lente en herfst, bij een omgevingstemperatuur van 15 - 25 °C
4-5	In de winter, bij een omgevingstemperatuur van 5 - 15 °C
6-7	Bij diepvries instellingen

Opgelet: Houd er rekening mee, dat bij het veranderen van de temperatuurinstelling de nieuwe waarde zich langzaam instelt. Dit is afhankelijk van de omgevingstemperatuur, de frequentie van het openen van de deur en de inhoud van de koelkast.



Temperatuurregelaar

Opslag van levensmiddelen

De koelkast voor 1-2 uur leeg laten (langere tijd bij hogere omgevingstemperatuur). Pas als het koud is in de koelkast, levensmiddelen erin leggen/zetten.

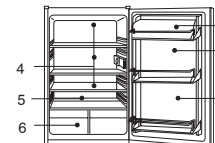
De koelkast gebruiken voor kortdurende opslag van levensmiddelen.

De gemiddelde temperatuur van van 0-10; in de koelkast is niet koud genoeg voor langdurige opslag van levensmiddelen, deze kan alleen gebruikt worden voor kortdurende opslag.



Indelingsvoorbeeld:

1. Eieren, Boter
2. Conserven, specerijen
3. Dranken, voedsel in flessen
4. Gebakken voedsel, conserven, zuivelproducten
5. Gekookt voedsel, Worst
6. Groente, Fruit, Salades



Aanwijzingen voor koelkast

* Hete gerechten en dranken afkoelen tot kamertemperatuur alvorens in de koelkast te plaatsen.



* Voor opslag water van levensmiddelen afvegen.

* Voor opslag, levensmiddelen in verpakking afsluiten om verdamping van water en geuroverdrachtte voorkomen.



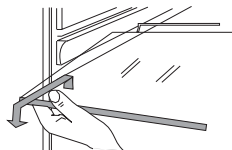
Aanwijzingen voor ingebruikname van de koelkast

* Sla geen te grote hoeveelheden voedsel tegelijk op. Voedsel opslaan met tussenruimtes, zo vriest het sneller in. Voorkom instorten van de schappen doordat te veel voedsel is opgeslagen.

* Voedsel opslaan volgens frequentie van gebruik. Levensmiddelen voor dagelijks gebruik voor in de koelkast plaatsen; dit vermindert de tijd dat de deur open is. Levensmiddelen niet te dicht bij de binnenwand plaatsen.

Voedselhouders

Voedselhouders kunnen uit de koelkast genomen worden om schoon te maken.



Belichting en verwisselen

Gloeilamp

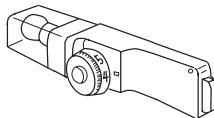
Gloeilamp: 220-240V, 15W

Fitting: E14 (nooit een lamp hoger dan 15W gebruiken)

* Bij verwisselen gloeilamp eerst de stekker uit het stopcontact trekken.

* Kapotte gloeilamp tegen de klok in draaiend verwijderen

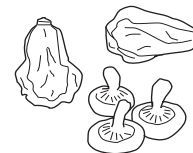
* Nieuwe lamp met de klok mee indraaien.



Aanwijzingen voor ingebruikname van de koelkast

Aanwijzingen voor koelen

*Fruit bewaren naar rijpheid teneinde houdbaarheid te vergroten.



*Bij opslaan van rettich en wortels, blad verwijderen om opname van voedingsstoffen te voorkomen



*Leg servetten neer alvorens flessen in het deurrek te plaatsen - dit vereenvoudigt het schoonmaken.



*Producten niet geschikt voor opslag in koelkast (kunnen bij kamertemperatuur bewaard worden): uien, knoflook, gember, waterkastanje.

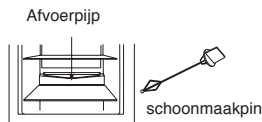


*Niet geschikt voor koelen:Pompoen, Meloen, Banaan, Ananas. Bij koelen wordt de stofwisseling versneld. Onrijp fruit in koelkast bewaren.



Koelkast ontdooien

De koelkast ontdooit automatisch. Op de achterwand gevormd ijs smelt en stroomt via pijp naar reservoir. De warmte van de compressor verdampert het water.



Opgelet: Dooiwater moet ongehinderd door de afvoeropening boven de fruitschaal kunnen stromen. Gebruik schoonmaakpin om blokkades te verwijderen.

Schoonmaken

Levensmiddelen kunnen geuren veroorzaken. Daarom is regelmatig schoonmaken van de koelkast aan te bevelen.

* Alvorens reinigen, stekker uit stopcontact halen

* Borstels of stalen schuurspansjes evenals de volgende chemische oplosmiddelen niet gebruiken: Schuurmiddel of Amylacetaat, heet water met zure of basische schoonmaakmiddelen enz.

* Met een doek afdrogen

1. Geen water over het apparaat gieten
2. Doek of spons droogmaken alvorens schakelaar te reinigen

* Maak ook het afsluitrubber in de deur schoon

* Stof achter het apparaat regelmatig verwijderen voor betere beluchting.

Uitschakelen

Als het apparaat voor langere tijd buiten gebruik gezet wordt, moet de aan-uit-knop ingedrukt worden, en de stekker verwijderd worden uit het stopcontact. Apparaat zoals beschreven schoonmaken.

Om geuroverlast te voorkomen; deur open zetten als apparaat niet gebruikt wordt.

Opgelet: Normaliter apparaat niet uitschakelen.

Bij stroomuitval

Ook in de zomer is het bewaren van levensmiddelen bij stroomuitval geen probleem voor enkele uren.

- * geen nieuwe levensmiddelen in vriesruimte plaatsen;
- * koelkastdeur niet openen;
- * Opgelet: temperatuurstijgingen in vriesruimte, veroorzaakt door mogelijke stroomuitval of andere storingen, verminderd de houdbaarheidsduur en kwaliteit van levensmiddelen.

In Vakantietijd

- * Tijdens een korte vakantie, snel bedervende levensmiddelen verwijderen, temperatuurinstelling controleren en deur goed sluiten.
- * Tijdens lange vacantie, levensmiddelen verwijderen, rijplaag verwijderen, binnenkant reinigen, deur open laten en apparaat uitzetten.

Weggoeien

- * Verwijder de koelkastdeur; spelende kinderen kunnen zichzelf zo niet opsluiten.

Transport

- * Stekker uit het stopcontact halen
- * Alle levensmiddelen uit apparaat halen
- * Flessenrek, groente- en fruitschaal en vrieslades met tape vastplakken
- * Deur sluiten en met tape vastplakken

De volgende verschijnselen zijn normaal:

- * Gedeeltelijke temperatuursverhoging van het apparaat en hogere temperatuur van de kompressor bij eerste ingebruikname van het apparaat;
- * Water op de buitenkant van het apparaat bij hoge luchtvochtigheid - met zachte doek verwijderen;
- * Water in vriesgedeelte door vaak of langdurig openen koelkastdeur in vochtige jaargetijden;
- * Geluid van koelmiddel; licht geruis van compressor bij in- en uitschakelen
- * Geluid van dooi water in de verdamper;
- * Langere automatische werkingstijden bij vernieuwde opslag van levensmiddelen of bij hogere omgevingstemperaturen;
- * Als de koelkast lange tijd niet wordt schoongemaakt, gaat de verdamper een vieze geur verspreiden.

Opgelet: Houd tenminste 5 minuten tijd tussen aan- en uitschakelen koelkast aan.

Alvorens reparatie, controleer eerst de volgende zaken.

Probleem	Mogelijke oorzaak
Geen koeling	* Er loopt geen stroom (stekker, stopcontact, zekering enz.); * Temperatuurschakelaar staat op 0; * Te lage netspanning.
Lamp gaat niet aan	* Peer is kapot; * Er loopt geen stroom * Temperatuurschakelaar staat op 0
Bij ongewone geluiden	* De vloer is niet effen of effen genoeg; * Contact onderdeel koelkast met andere voorwerpen of de wand
Langdurig aanstaan compressor en te hoge temperatuur	* Bij eerste ingebruikname; * Bij opbergen grote hoeveelheden levensmiddelen. * Vaak openen van de deur; * Verkeerde temperatuurstelling; * Direct zonlicht of te dicht bij oven en warmtebron; * Slechte beluchting; smerige condensator
Droge levensmiddelen	* Levensmiddelen niet goed afgedekt, verpakt of gesloten.
Ongewone geur	* Levensmiddelen met sterke geur niet goed verpakt; * Bedorven levensmiddelen; * Het apparaat moet gereinigd worden, zie "Schoonmaken".