

**READ BEFORE USE**  
**LIRE AVANT UTILISATION**  
**LEA ANTES DE USAR**

Visit [www.hamiltonbeach.com](http://www.hamiltonbeach.com) for our complete line of products and Use and Care Guides – as well as delicious recipes, tips, and to register your product online!

Rendez-vous sur [www.hamiltonbeach.ca](http://www.hamiltonbeach.ca) pour notre liste complète de produits et de nos manuels utilisateur – ainsi que nos délicieuses recettes, nos conseils et pour enregistrer votre produit en ligne !

¡Visite [www.hamiltonbeach.com.mx](http://www.hamiltonbeach.com.mx) para obtener nuestra línea completa de productos y las Guías de Uso y Cuidado, además de deliciosas recetas, consejos y para registrar su producto en línea!

**Questions?**  
Please call us – our friendly associates are ready to help.  
USA: 1.800.851.8900

**Questions ?**  
N'hésitez pas à nous appeler – nos associés s'empresseront de vous aider.  
CAN : 1.800.267.2826

**¿Preguntas?**  
Por favor llámenos – nuestros amables representantes están listos para ayudar.  
MEX: 01 800 71 16 100  
*Le invitamos a leer cuidadosamente este instructivo antes de usar su aparato.*

**Hamilton  
Beach®**

*Toastation™*



English .....	2
Français .....	11
Español .....	21

## **WARNING**



### **Fire Hazard.**

- Do not operate while unattended.
- Do not use in toaster mode with food that has been spread with butter, jelly, frosting, etc.
- Do not use in toaster mode with rice cakes, fried foods, frozen prepared foods, or nonbread items.
- Do not use in toaster mode with toaster pastries. Always cook toaster pastries in a toaster oven broiler.
- Do not cover or use near curtains, walls, cabinets, paper or plastic products, cloth towels, etc.
- Closely supervise when used by or near children.
- Always unplug Toastation™ when not in use.

Failure to follow these instructions can result in death or fire.

## **IMPORTANT SAFEGUARDS**

When using electrical appliances, basic safety precautions should always be followed to reduce the risk of fire, electric shock, and/or injury to persons, including the following:

1. Read all instructions.
2. Do not touch hot surfaces. Use handles or knobs.
3. To protect against electrical shock do not immerse cord, plug, or toaster oven in water or other liquid.
4. Close supervision is necessary when any appliance is used by or near children.
5. Unplug from outlet when not in use and before cleaning. Allow to cool before cleaning appliance and putting on or taking off parts.
6. Do not operate any appliance with a damaged cord or plug, or after the appliance malfunctions or is dropped or damaged in any manner. Call our toll-free customer service number for information on examination, repair, or adjustment.
7. The use of accessory attachments not recommended by the appliance manufacturer may cause injuries.
8. Do not use outdoors.
9. Do not let cord hang over edge of table or counter, or touch hot surfaces, including the stove.
10. Do not place on or near a hot gas or electric burner, or in a heated oven.
11. To disconnect, turn all controls to OFF; then remove plug from wall outlet.
12. Use extreme caution when removing tray or disposing of hot grease.
13. Do not clean with metal scouring pads. Pieces can break off the pad and touch electrical parts, creating a risk of electrical shock.
14. Oversize foods or metal utensils must not be inserted in a toaster oven as they may create a fire or risk of electric shock.

15. A fire may occur if the toaster oven is covered, touching or near flammable material, including curtains, draperies, walls, and the like, when in operation. Do not store any item on top of the appliance when in operation.
16. Extreme caution should be exercised when using containers constructed of other than metal or glass.
17. Do not store any materials, other than appliance manufacturer recommended accessories, in this oven when not in use.
18. Do not place any of the following materials in the oven: paper, cardboard, plastic, and the like.
19. Do not cover crumb tray or any part of the oven with metal foil. This will cause overheating of the oven.
20. To turn the oven off, press the **ON/OFF** button. To stop a toast cycle, press the **ON/OFF** button or lift up on the bread lifter.
21. Do not place eyes or face in close proximity with tempered safety glass door in the event that the safety glass breaks.
22. Do not use appliance for other than intended use.
23. Before using this appliance, move it 2 to 4 inches away from wall or any object on the countertop. Remove any object that may have been placed on top of the appliance. Do not use on surfaces where heat may cause a problem.
24. If plug gets hot, please call a qualified electrician.
25. The oven door is not a shelf. Do not place anything on the door.
26. Use extreme caution when extending loaded rack or adding food to extended rack.

## SAVE THESE INSTRUCTIONS!

### Other Consumer Safety Information

**This appliance is intended for household use only.**

**WARNING!** Shock Hazard: This appliance has a polarized plug (one wide blade) that reduces the risk of electric shock. The plug fits only one way into a polarized outlet. Do not defeat the safety purpose of the plug by modifying the plug in any way or by using an adapter. If the plug does not fit fully into the outlet, reverse the plug. If it still does not fit, have an electrician replace the outlet.

The length of the cord used on this appliance was selected to reduce the hazards of becoming tangled in or tripping over a longer cord. If a longer cord is necessary, an approved extension cord may be used. The electrical rating of the extension cord must be equal to or greater than the rating of the appliance. Care must be taken to arrange the extension cord so that it will not drape over the countertop or tabletop where it can be pulled on by children or accidentally tripped over.

This appliance is equipped with a fully tempered safety glass door. The tempered glass is four times stronger than ordinary glass and more resistant to breakage. Tempered glass can break, however it breaks into pieces with no sharp edges. Care must be taken to avoid scratching door surface or nicking edges. If the door has a scratch or nick, call our toll-free customer service number.

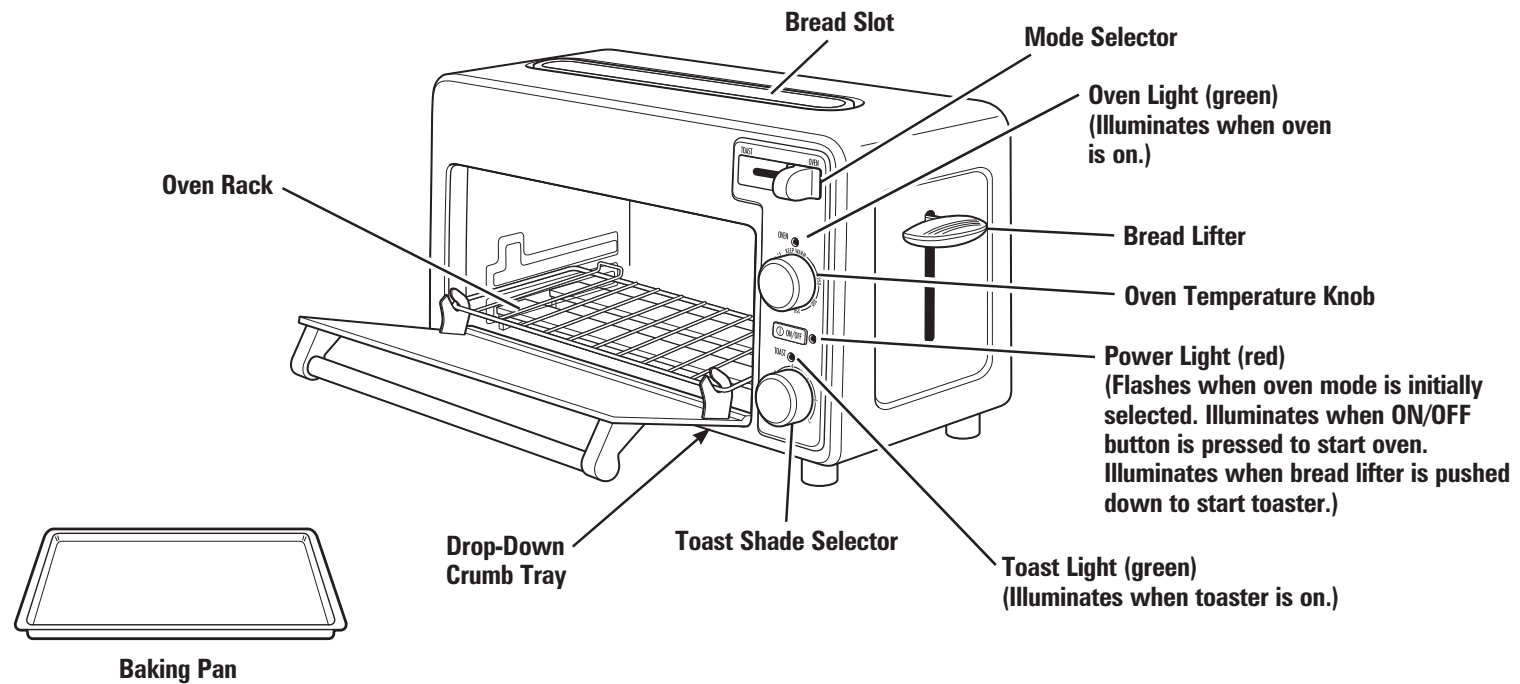
When heavy foods are on the oven rack, do not pull the oven rack out more than halfway. To baste or check for doneness, remove food from the oven and place on heat-resistant countertop surface or trivet.

Do not place bake pan directly on heat shields that protect lower heating elements.

To avoid an electrical circuit overload, do not operate another high-wattage appliance on the same circuit with the appliance.

# Parts and Features

**BEFORE FIRST USE:** Select Oven Mode; set on 450°F (230°C). Heat for 15 minutes without food. Most heating appliances produce an odor and/or smoke when used the first time. This is normal for this type of appliance and should not be present after this initial preheating.



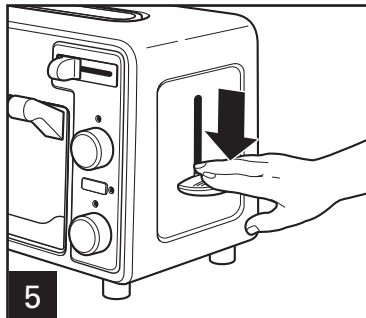
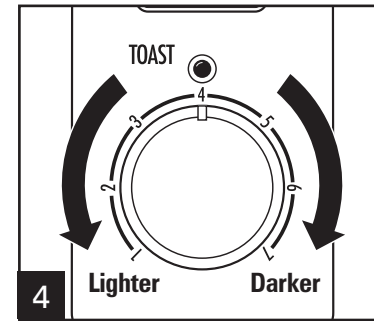
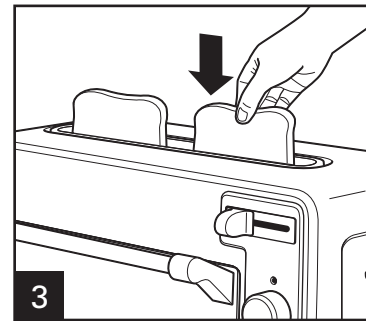
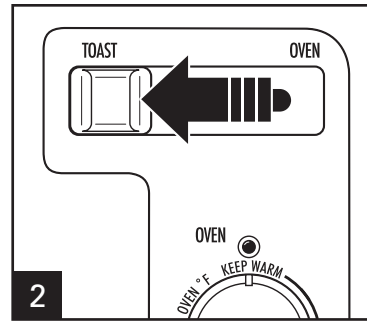
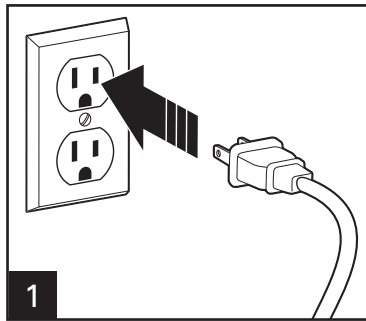
# Toast Mode

## ⚠ WARNING Fire Hazard.

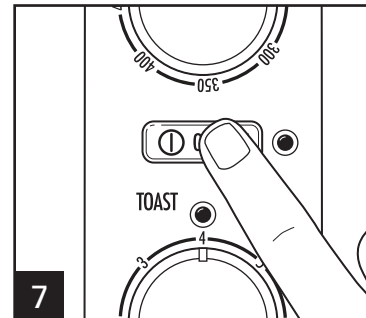
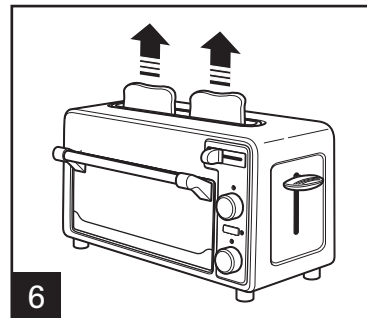
- If contents ignite, do not open oven door. Unplug oven and allow contents to stop burning and cool before opening door.

- Do not leave appliance unattended when in operation.
- Always unplug toaster oven when not in use.

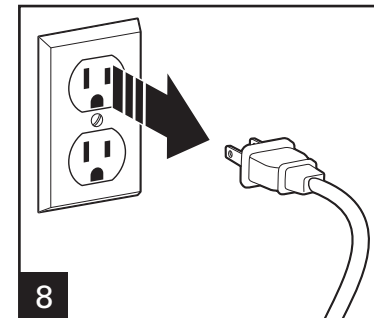
**NOTE:** The bread lifter will not latch down unless the toaster is plugged in.



Red power light and green toast indicator light will illuminate.



Press **ON/OFF** button to stop toasting at any time.



## *Toast Mode (cont.)*

<b>FOOD</b>	<b>SHADE SETTING</b>	<b>MODE/TEMP.</b>
Regular bread	2–5	Toaster
English muffins	4	Toaster
Bagels	3–6	Toaster
Frozen bread or buns	4	Toaster
Frozen waffles	4	Toaster
Toaster pastries* (such as Pop Tarts®)	N/A	Oven/350°F (180°C) for 2 minutes
Frozen prepared foods* (such as Toaster Strudel™ or Hot Pockets®)	N/A	Oven/350°F (180°C) follow manufacturers' instructions

\*Pop Tarts is a registered trademark of the Kellogg Co.

™ Toaster Strudel is a trademark of the Pillsbury Co.

\*Hot Pockets is a registered trademark of Nestlé

\*Do not heat in toaster—use toaster oven portion of Toastation with Mode Selector set to oven position. NEVER heat cracked, broken or warped pastries, and NEVER leave unattended.

To remove food that becomes lodged in food slots, disconnect from outlet and allow toaster to cool. Turn toaster upside down and shake. Do not use fork or other utensil that could damage heating element or result in risk of fire or electrical shock.

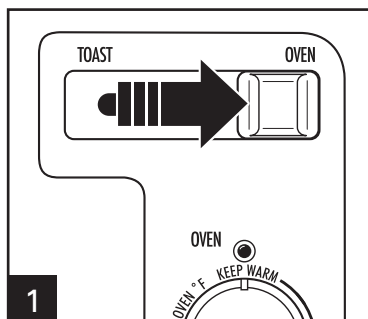
# Oven Mode

**NOTE:** Wash baking pan before using.

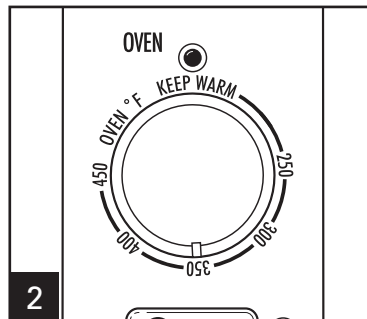
## **⚠ WARNING** Fire Hazard.

- Do not leave oven unattended during operation.
- Keep one inch between food and heating element.

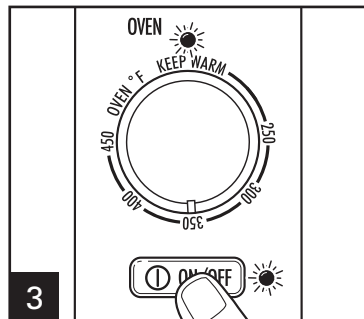
- Do not use oven cooking bags.
- Do not heat foods in plastic containers.
- Follow food manufacturers' instructions.



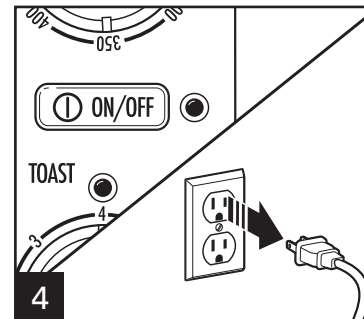
**1** Make sure Mode Selector is in "OVEN" position (slot closed). Red power light will flash 6 times.



**2** Select temperature.



**3** Press **ON/OFF** button and let preheat for 5 minutes. Red power light and green oven light will illuminate.



**4** When finished, press **ON/OFF** button. Red power light will turn off. Unplug unit after use. **NOTE:** Oven turns off automatically after 2 hours.

Toastation™ is intended to prepare foods most commonly cooked in a toaster oven: appetizers, pizza, bagels, chicken nuggets, fries, and toaster pastries. It was designed with these foods in mind.

- **Most foods should be baked** according to package or recipe directions. Watch carefully and adjust time or temperature if needed.
- **To reheat pizza**, never place box in oven. Cook at 450°F (230°C) for 3 minutes or until ready.
- **For crisp crust pizza**, cook frozen pizza directly on oven rack.
- **For soft crust pizza**, cook on baking pan.
- **For baked potato**, bake directly on oven rack at 400°F (204°C) for 1 hour.

- **For a homemade crust pizza** (or any soft dough), cook pizza on baking pan.
- **To toast regular toaster pastry or frozen pastry**, toast directly on oven rack. If pastry has a glaze or frosting, use baking pan.
- When toasting, **condensation** may form on oven door. A toaster oven is enclosed so moisture is slow to escape. After use, wipe door to dry and make clean-up easier.
- **Remove food immediately** or heat remaining in toaster oven will continue to bake and dry out your food.

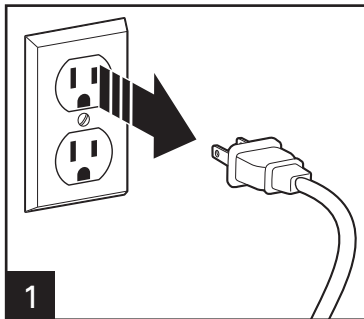
# Care and Cleaning

Your Toastation™ should be cleaned regularly for best performance and long life. Regular cleaning will also reduce the risk of fire hazard.



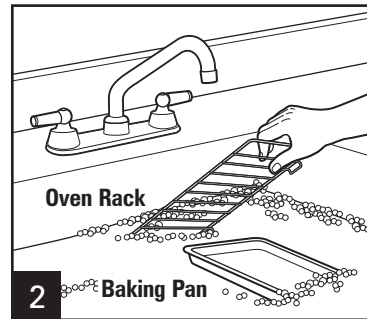
## WARNING Electrical Shock Hazard.

Do not clean with metal scouring pads. Pieces can break off pad and touch electrical parts.



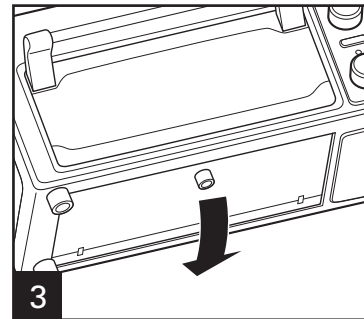
1

Unplug Toastation™ and allow to cool.



2

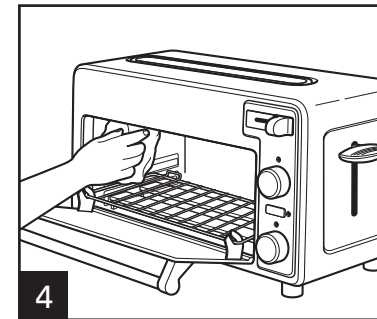
Baking Pan



3

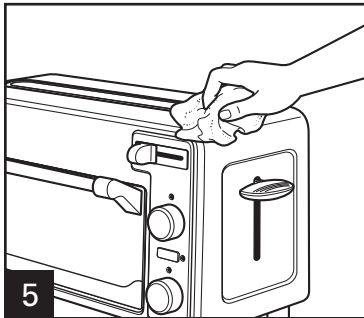
Pull tray down and out. Gently shake crumbs out of tray and wipe with a damp, clean cloth. Push tray back and lock into place.

**NOTE:** Crumb tray is not removable.



4

To clean inside of oven, wipe oven walls, bottom of oven, and glass door with a damp, soapy cloth. Repeat with a damp, clean cloth.



5

8



# Troubleshooting

PROBLEM	PROBABLE CAUSE
Oven will not heat.	<ul style="list-style-type: none"><li>• Check to make sure electrical outlet is working and the oven is plugged in. Ensure that <b>ON/OFF</b> button has been pressed after setting desired temperature.</li><li>• Make sure Mode Selector is set to OVEN.</li><li>• Oven turns off automatically after 2 hours.</li></ul>
Moisture forms on inside of oven door when toasting.	<ul style="list-style-type: none"><li>• This is normal when toasting in a toaster oven. Moisture is slower to escape from toaster oven than from a toaster. The amount of moisture will differ between fresh bread, bagels, and frozen pastries.</li></ul>
An odor and smoke comes from oven.	<ul style="list-style-type: none"><li>• Smoke and odor are normal during the first use of most heating appliances. This will not be present after the initial heating period.</li></ul>
Indicator light stays on.	<ul style="list-style-type: none"><li>• It is normal for the green indicator light to be illuminated when the unit is plugged in. If the red indicator light stays on after the <b>ON/OFF</b> button is pressed to cancel toasting or baking, unplug unit and call our toll-free customer service number for information on examination, repair, or electrical or mechanical adjustment. Do not continue to use your toaster oven.</li></ul>
Some foods burn and some are not done.	<ul style="list-style-type: none"><li>• Adjust oven temperature or cooking time for best results with your recipes.</li></ul>

## *Limited Warranty*

This warranty applies to products purchased and used in the U.S. and Canada. This is the only express warranty for this product and is in lieu of any other warranty or condition.

This product is warranted to be free from defects in material and workmanship for a period of one (1) year from the date of original purchase. During this period, your exclusive remedy is repair or replacement of this product or any component found to be defective, at our option; however, you are responsible for all costs associated with returning the product to us and our returning a product or component under this warranty to you. If the product or component is no longer available, we will replace with a similar one of equal or greater value.

This warranty does not cover glass, filters, wear from normal use, use not in conformity with the printed directions, or damage to the product resulting from accident, alteration, abuse, or misuse. This warranty extends only to the original consumer purchaser or gift recipient. Keep the original sales receipt, as proof of purchase is required to make a warranty claim. This warranty is void if the product is used for other than single-family household use or subjected to any voltage and waveform other than as specified on the rating label (e.g., 120V ~ 60 Hz).

We exclude all claims for special, incidental, and consequential damages caused by breach of express or implied warranty. All liability is limited to the amount of the purchase price. **Every implied warranty, including any statutory warranty or condition of merchantability or fitness for a particular purpose, is disclaimed except to the extent prohibited by law, in which case such warranty or condition is limited to the duration of this written warranty.** This warranty gives you specific legal rights. You may have other legal rights that vary depending on where you live. Some states or provinces do not allow limitations on implied warranties or special, incidental, or consequential damages, so the foregoing limitations may not apply to you.

To make a warranty claim, do not return this appliance to the store. Please call 1.800.851.8900 in the U.S. or 1.800.267.2826 in Canada or visit [hamiltonbeach.com](http://hamiltonbeach.com) in the U.S. or [hamiltonbeach.ca](http://hamiltonbeach.ca) in Canada. For faster service, locate the model, type, and series numbers on your appliance.

## ⚠️ AVERTISSEMENT



### Pour réduire le risque d'incendie.

- Ne pas utiliser l'appareil sans surveillance.
- Ne pas utiliser en mode grille-pain avec des aliments qui ont été recouverts de beurre, confiture, nappage, etc.
- Ne pas utiliser en mode grille-pain avec des gâteaux de riz, des aliments frits, des plats préparés congelés ou des articles autres que du pain.
- Ne pas utiliser en mode grille-pain pour des pâtisseries grillées. Toujours cuisiner des pâtisseries grillées dans un four à gril.
- Ne pas recouvrir avec ou utiliser à proximité de rideaux, murs, placards, produits papier ou plastique, serviettes en tissu, etc.
- Surveiller attentivement l'utilisation de l'appareil par ou à proximité d'enfants.
- Toujours débranchez le Toastation™ en cas d'inutilisation.

Le non-respect de ces consignes peut provoquer la mort ou un incendie.

## PRÉCAUTIONS IMPORTANTES

Pour utiliser un appareil électroménager, vous devez toujours prendre des mesures élémentaires de sécurité pour réduire le risque d'incendie, d'électrocution et/ou de blessure corporelle, en particulier les mesures suivantes :

1. Lire toutes les instructions.
2. Ne pas toucher les surfaces chaudes. Utiliser les poignées ou boutons.
3. Pour protéger contre le risque de choc électrique, ne pas immerger le cordon, la fiche ou le four grille-pain dans l'eau ou autre liquide.
4. Une bonne surveillance est nécessaire pour tout appareil utilisé par des enfants ou près d'eux.
5. Débrancher l'appareil de la prise de courant électrique lorsqu'il n'est pas utilisé et avant un nettoyage. Le laisser refroidir avant le nettoyage et avant d'y placer ou d'y enlever des pièces.
6. Ne pas faire fonctionner un appareil électroménager avec un cordon ou une fiche endommagé(e), ou lorsque l'appareil ne fonctionne pas bien ou a été échappé ou endommagé d'une manière quelconque. Appeler notre numéro sans frais de service à la clientèle pour des renseignements concernant l'examen, la réparation ou l'ajustement.
7. L'utilisation d'accessoires non recommandés par le fabricant de l'appareil peut causer des blessures.
8. Ne pas utiliser à l'extérieur.
9. Ne pas laisser le cordon pendre du bord d'une table ou d'un comptoir, ou toucher des surfaces chaudes, y compris la cuisinière.
10. Ne pas placer l'appareil sur ou près d'un brûleur à gaz ou d'un élément électrique chaud, ou dans un four chauffé.
11. Pour débrancher l'appareil, tourner tous les réglages à OFF (arrêt), ensuite retirer la fiche de la prise de courant murale.
12. Une prudence extrême s'impose lors de l'enlèvement du plateau ou de la vidange de graisse chaude.
13. Ne pas nettoyer avec des tampons à récurer en métal. Des pièces peuvent se détacher du tampon et toucher les pièces électriques, créant un risque de choc électrique.
14. Des aliments ou des ustensiles de métal de grosseur excessive ne doivent pas être insérés dans un four grille-pain, car ils peuvent créer un incendie ou un risque de choc électrique.

15. Un incendie peut survenir si le four grille-pain est recouvert, touche ou est près de matériaux inflammables, y compris rideaux, tentures, murs et autres articles semblables, lorsqu'il fonctionne. Ne pas remiser des articles sur le dessus de l'appareil lorsqu'il est utilisé.
16. Une grande précaution doit être prise lors de l'utilisation de contenants construits en matériaux autres que le métal ou le verre.
17. Ne placer aucun matériau autre que les accessoires recommandés par le fabricant de l'appareil, dans ce four lorsqu'il n'est pas utilisé.
18. Ne placer aucun des matériaux suivants dans le four : papier, carton, plastique et articles semblables.
19. Ne pas couvrir le plateau à miettes ou toute pièce du four avec du papier métallique. Ceci causerait un surchauffage du four.
20. Pour éteindre le four, appuyer le bouton à **ON/OFF** (marche/arrêt). Pour arrêter un cycle grille-pain, appuyez sur le bouton **ON/OFF** (marche/arrêt) ou relevez le levier d'éjection.
21. Ne pas placer les yeux ou le visage près de la porte en verre trempé, au cas où le verre trempé se briserait.
22. Ne pas utiliser cet appareil pour tout autre usage que celui recommandé.
23. Avant d'utiliser cet appareil, l'éloigner de 2 à 4 pouces (5 à 10 cm) d'un mur ou de tout autre objet sur le comptoir. Enlever tout objet qui peut avoir été placé sur l'appareil. Ne pas utiliser cet appareil sur des surfaces où la chaleur pourrait causer un problème.
24. Si la fiche devient chaude, veuillez faire venir un électricien qualifié.
25. La porte du four grille-pain n'est pas une tablette. Ne rien placer sur la porte.
26. Utiliser une prudence extrême lors du déplacement de la grille chargée ou lors de l'addition d'aliments sur la grille.

## CONSERVEZ CES INSTRUCTIONS !

### Autres renseignements relatifs à la sécurité du consommateur

**Cet appareil est destiné à l'utilisation domestique seulement.**

**AVERTISSEMENT !** Risque d'électrocution : Cet appareil électroménager possède une fiche polarisée (une broche large) qui réduit le risque d'électrocution. Cette fiche n'entre que dans un seul sens dans une prise polarisée. Ne contrecarrez pas l'objectif sécuritaire de cette fiche en la modifiant de quelque manière que ce soit ou en utilisant un adaptateur. Si vous ne pouvez pas insérer complètement la fiche dans la prise, inversez la fiche. Si elle refuse toujours de s'insérer, faire remplacer la prise par un électricien.

La longueur du cordon installé sur cet appareil a été sélectionnée afin de réduire les risques d'enchevêtrement ou de faux pas causés par un fil trop long. L'utilisation d'une rallonge approuvée est permise si le cordon est trop court. Les caractéristiques électriques de la rallonge doivent être équivalentes ou supérieures aux caractéristiques de l'appareil. Prendre toutes les précautions nécessaires pour installer la rallonge de manière à ne pas la faire courir sur le comptoir ou sur une table pour éviter qu'un enfant ne tire sur le cordon ou trébuche accidentellement.

12

Cet appareil est doté d'une porte en verre trempé. Le verre trempé est quatre fois plus robuste que le verre ordinaire et plus résistant aux bris. Le verre trempé peut se briser, mais il se brise en pièces sans bords coupants. Il faut prendre soin d'éviter d'égratigner la surface de la porte ou d'endommager le contour. Si la porte a une égratignure ou un bris, composer notre numéro sans frais d'assistance à la clientèle.

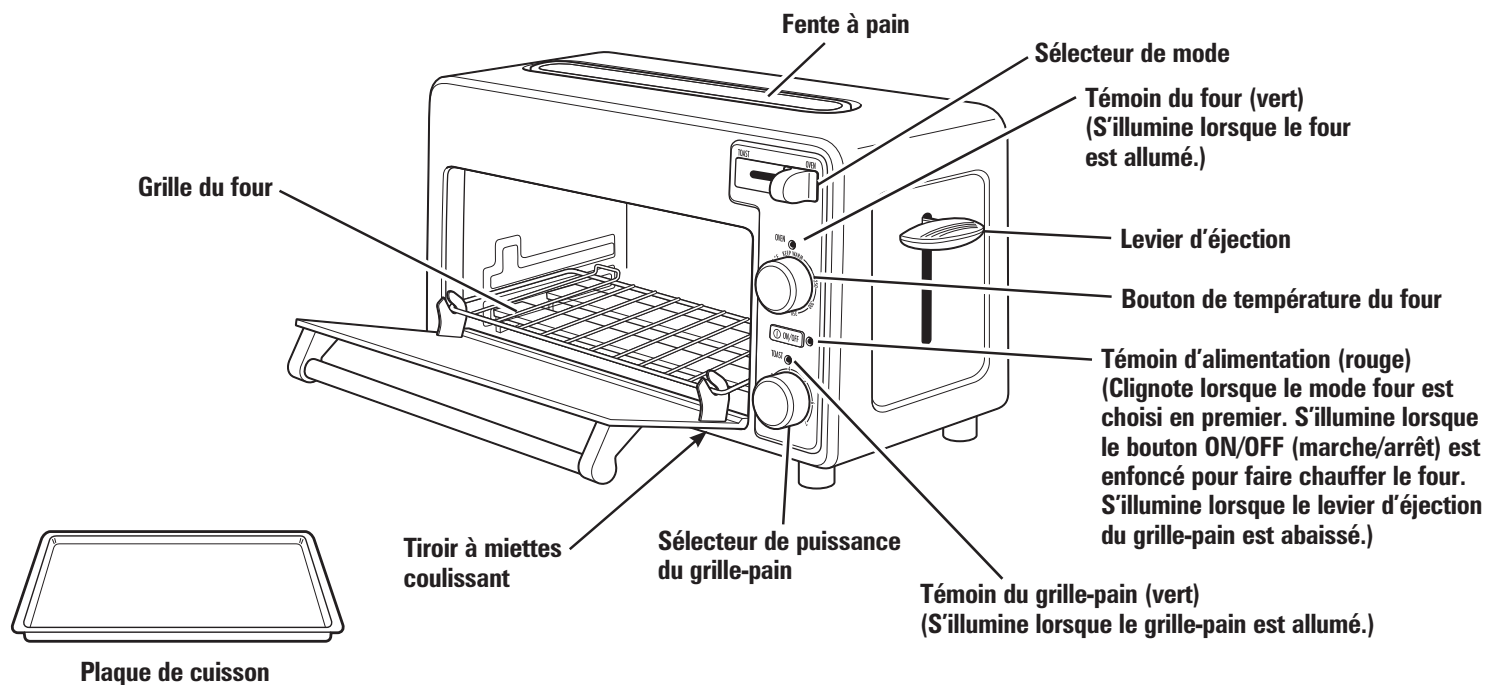
Lorsque des aliments lourds sont sur la grille du four, ne pas sortir la grille du four plus de la moitié. Pour arroser ou vérifier la cuisson, sortir les aliments du four et placer le plat sur une surface de comptoir résistante à la chaleur ou sur un dessous de plat.

Ne placez pas de moule à cuisson directement sur les boucliers thermiques qui protègent les éléments de chauffage du bas.

Pour éviter une surcharge des circuits électriques, ne pas faire fonctionner d'autre appareil électroménager de haute tension sur le même circuit que le four grille-pain.

# Pièces et caractéristiques

**AVANT LA PREMIÈRE UTILISATION** : Sélectionner le mode Oven (four) ; régler la température à 230 °C (450 °F). Faire chauffer pendant 15 minutes sans ajouter d'aliments. La plupart des appareils laissent échapper une odeur ou de la fumée lors de la première utilisation. Ceci est normal pour cette catégorie d'appareils ménagers et ne devrait pas se reproduire suite au préchauffage initial.



# Mode grille-pain

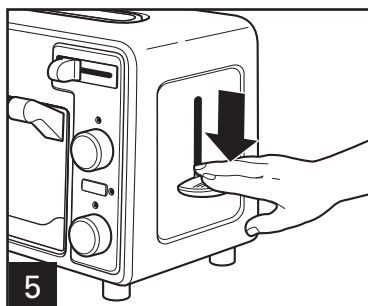
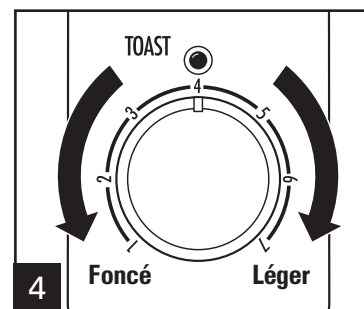
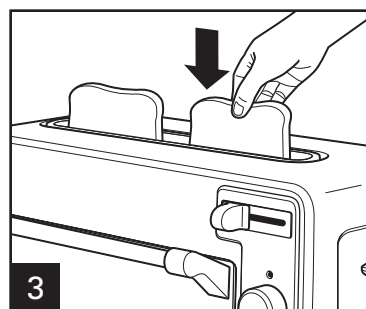
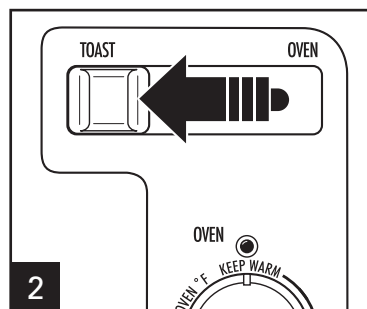
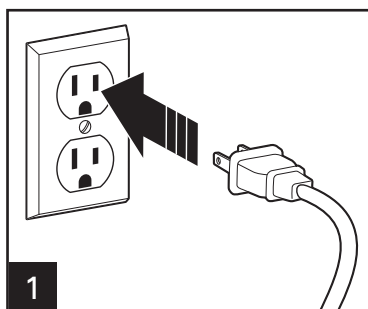
## ⚠ AVERTISSEMENT

### Risque d'incendie.

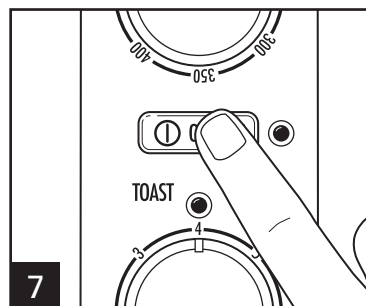
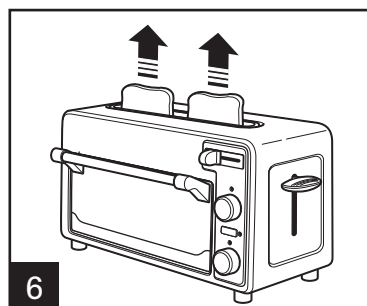
- Si les aliments s'enflamment, ne pas ouvrir la porte du four. Débrancher le four et laisser les aliments s'éteindre et refroidir avant d'ouvrir la porte.

- Ne pas laisser l'appareil sans surveillance pendant le fonctionnement.
- Toujours débrancher le four grille-pain dès la fin de l'utilisation.

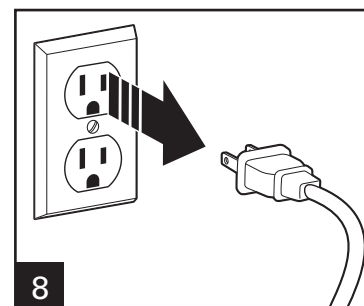
**REMARQUE :** Le levier d'éjection ne s'enclenchera pas en bas tant que le grille-pain n'est pas branché.



Le témoin d'alimentation rouge et le témoin du grille-pain vert s'allumeront.



Appuyer sur le bouton **ON/OFF** (marche/arrêt) pour arrêter le grille-pain à tout moment.



## Mode grille-pain (suite)

ALIMENT	RÉGLAGE DE PUISSANCE	MODE/TEMP.
Pain normal	2 à 5	Grille-pain
Muffin anglais	4	Grille-pain
Bagels	3 à 6	Grille-pain
Petits pains ou pain congelés	4	Grille-pain
Gaufres congelées	4	Grille-pain
Pâtisseries grillées* (comme les Pop Tarts®)	N/A	Four/180 °C (350 °F) pendant 2 minutes
Aliments préparés congelés* (comme les Toaster Strudel <sup>MC</sup> ou Hot Pockets®)	N/A	Four/180 °C (350 °F) Suivre les instructions des fabricants

\*Pop Tarts est une marque de commerce déposée de la Kellogg Co.

<sup>MC</sup>Toaster Strudel est une marque de commerce de la Pillsbury Co.

\*Hot Pockets est une marque de commerce déposée de Nestlé.

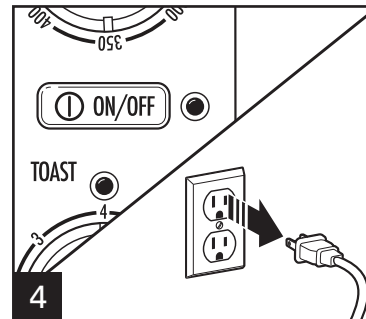
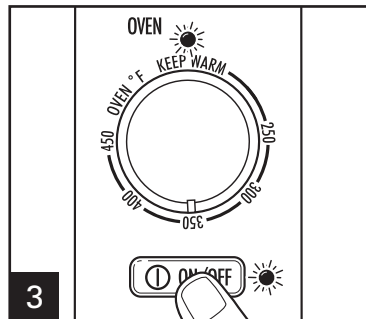
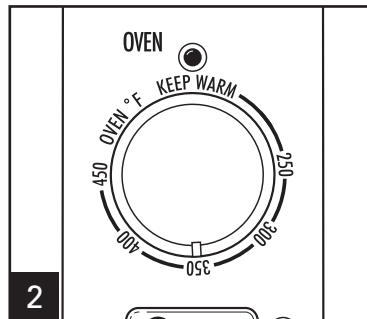
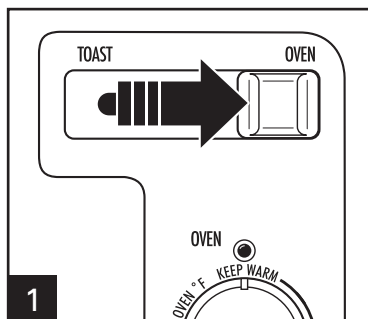
\*Ne réchauffer pas dans le grille-pain — Utiliser la partie grille-pain de votre Toastation<sup>MC</sup> avec le sélecteur de mode réglé en position four. NE réchauffer JAMAIS de pâtisserie fendue, cassée ou ouverte et NE LAISSER JAMAIS sans surveillance.

Pour enlever les aliments qui se logent dans les fentes d'aliments, débrancher votre appareil de sa prise et laissez-le refroidir. Renverser votre grille-pain et secouez-le. N'utiliser jamais une fourchette ou un autre ustensile de cuisine qui risque d'endommager l'élément de chauffage ou occasionner une secousse électrique.

# Mode four

## ⚠ AVERTISSEMENT Risque d'incendie.

**REMARQUE :** Laver la plaque de cuisson avant utilisation.



Assurez-vous que le sélecteur de mode est en position « OVEN » (fente fermée). Le témoin d'alimentation rouge clignotera 6 fois. Sélectionner la température.

Toastation<sup>MC</sup> est conçu pour préparer les aliments habituellement chauffés au four-grilloir : hors-d'œuvre, pizza, bagels, pépites de poulet, frites et pâtisseries au grille-pain. Il a été conçu avec ces aliments à l'esprit.

- **La plupart des plats doivent être cuits** en fonction des instructions de l'emballage ou de la recette. Observer attentivement la cuisson et régler la durée ou la température si nécessaire.
- **Pour réchauffer une pizza**, ne placer jamais la boîte dans le four. Cuisez-la à 230 °C (450 °F) pendant 3 minutes ou jusqu'à ce qu'elle soit prête.
- **Pour une pizza à pâte croustillante**, cuire la pizza surgelée directement sur la grille du four.
- **Pour une pizza à pâte molle**, cuire-la sur la plaque de cuisson.

- Ne pas laisser le four sans surveillance pendant son fonctionnement.
- Maintenir un pouce de distance entre l'aliment et l'élément chauffant.

- Ne pas utiliser de sac de cuisson.
- Ne pas réchauffer d'aliments dans des conteneurs en plastique.
- Suivre les instructions des fabricants.

Appuyer le bouton à **ON/OFF** (marche/arrêt) et préchauffer de 5 minutes. Le témoin d'alimentation rouge et le témoin vert du four s'allumeront. Une fois terminé, appuyer sur le bouton **ON/OFF** (marche/arrêt). Le témoin d'alimentation rouge s'éteindra. Débrancher l'appareil dès la fin de l'utilisation. **REMARQUE :** Le four s'éteint automatiquement après 2 heures.

- **Pour une pomme de terre cuite au four**, cuisez-la directement sur la grille du four à 204 °C (400 °F) pendant 1 heure.
- **Pour une pizza faite maison** (ou toute pâte molle), cuisez-la sur la plaque de cuisson.
- **Pour griller des pâtisseries grillées normales ou congelées**, placez-les directement sur la grille du four. Si la pâtisserie est recouverte de nappage ou de glaçage, utiliser la plaque de cuisson.
- Lors de la cuisson, de la **condensation** peut se former sur la porte du four. Un four à gril est fermé et par conséquent, l'humidité s'en va lentement. Après utilisation, assécher la porte pour faciliter le nettoyage.
- **Enlever le plat immédiatement** ou sinon la chaleur résiduelle du four à gril continuera à cuire et séchera votre plat.



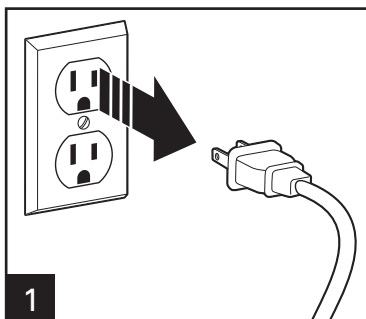
# Nettoyage et entretien

Votre Toastation<sup>MC</sup> doit être nettoyé régulièrement pour de meilleures performances et une durée de vie prolongée. Un nettoyage régulier réduira aussi le risque d'incendie.

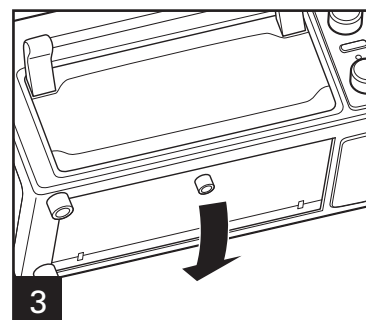
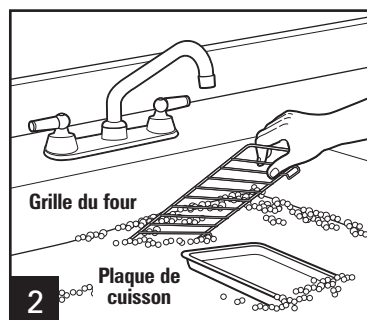
## **⚠ AVERTISSEMENT** Danger d'électrocution.

Ne nettoyer pas l'appareil avec des tampons à récurer en métal.

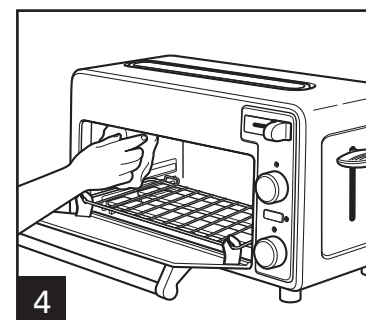
Des morceaux peuvent s'en détacher et toucher des pièces métalliques.



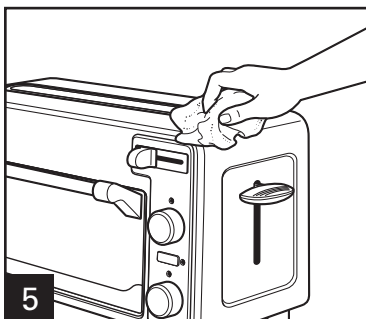
**1** Débrancher le Toastation<sup>MC</sup> et laisser refroidir.



**3** Abaisser pour ouvrir le ramasse-miettes. Secouer doucement les miettes et essuyer avec un linge humide et propre. Insérer le plateau et le fixer correctement.  
**REMARQUE :** Le ramasse-miettes est fixe.



**4** Pour nettoyer l'intérieur du four, essuyer les parois du four, le fond du four et la porte en verre avec un chiffon humidifié et savonneux. Essuyer ensuite avec un chiffon doux et sec.



# Dépannage

## PROBLÈME

## CAUSE PROBABLE

Le four ne chauffe pas.

- Vérifier que la prise électrique fonctionne et que le four est branché. S'assurer que le bouton **ON/OFF** (arrêt/marche) a été enfoncé après avoir réglé le degré de température désiré.
- Assurez-vous que le sélecteur de mode est réglé sur OVEN (four).
- Le four s'éteint automatiquement après 2 heures.

De l'humidité se forme sur l'intérieur de la porte du four pendant la cuisson.

- C'est normal lors d'une cuisson dans un four à gril. L'humidité est plus longue à s'en aller d'un four à gril que d'un grille-pain. La quantité d'humidité est différente selon qu'il s'agit de pain, de bagels ou de pâtisseries grillées.

Une odeur et de la fumée sortent du four.

- De la fumée et une odeur sont normales pendant la première utilisation de la plupart des appareils chauffants. Cela disparaîtra après la première période de chauffe.

Le témoin lumineux reste allumé.

- Il est normal que le témoin lumineux vert soit allumé lorsque l'appareil est branché. Si le témoin lumineux rouge reste allumé après avoir appuyé sur le bouton **ON/OFF** (arrêt/marche) pour annuler le brunissage ou la cuisson, débrancher l'appareil et appeler le numéro gratuit de notre service après-vente pour en savoir plus sur l'examen, la réparation ou le réglage électrique ou mécanique de l'appareil. Ne pas continuer à utiliser votre four à gril.

Des plats brûlent et d'autres ne sont pas cuits.

- Régler la température du four ou la durée de cuisson pour de meilleurs résultats avec vos recettes.

*Notes*

## Garantie limitée

Cette garantie s'applique aux produits achetés et utilisés aux É.-U. et au Canada. C'est la seule garantie expresse pour ce produit et est en lieu et place de tout autre garantie ou condition.

Ce produit est garanti contre tout défaut de matériaux et de main-d'oeuvre pour une période de un (1) an à compter de la date d'achat d'origine. Au cours de cette période, votre seul recours est la réparation ou le remplacement de ce produit ou tout composant s'avérant défectueux, à notre gré, mais vous êtes responsable de tous les coûts liés à l'expédition du produit et le retour d'un produit ou d'un composant dans le cadre de cette garantie. Si le produit ou un composant n'est plus offert, nous le remplacerons par un produit similaire de valeur égale ou supérieure.

Cette garantie ne couvre pas le verre, les filtres, l'usure d'un usage normal, l'utilisation non conforme aux directives imprimées, ou des dommages au produit résultant d'un accident, modification, utilisation abusive ou incorrecte. Cette garantie s'applique seulement à l'acheteur original ou à la personne l'ayant reçu en cadeau. La présentation du reçu de vente d'origine comme preuve d'achat est nécessaire pour faire une réclamation au titre de cette garantie. Cette garantie s'annule si le produit est utilisé autrement que par une famille ou si l'appareil est soumis à toute tension ou forme d'onde différente des caractéristiques nominales précisées sur l'étiquette (par ex. : 120 V ~ 60 Hz).

Nous excluons toutes les réclamations au titre de cette garantie pour les dommages spéciaux, consécutifs et indirects causés par la violation de garantie expresse ou implicite. Toute responsabilité est limitée au prix d'achat. **Chaque garantie implicite, y compris toute garantie ou condition de qualité marchande ou d'adéquation à un usage particulier, est exonérée, sauf dans la mesure interdite par la loi, auquel cas la garantie ou condition est limitée à la durée de cette garantie écrite.** Cette garantie vous donne des droits légaux précis. Vous pouvez avoir d'autres droits qui varient selon l'endroit où vous habitez. Certaines provinces ne permettent pas les limitations sur les garanties implicites ou les dommages spéciaux ou indirects de telle sorte que les limitations ci-dessus ne s'appliquent peut-être pas à votre cas.

Ne pas retourner cet appareil au magasin lors d'une réclamation au titre de cette garantie. Téléphoner au 1.800.851.8900 aux É.-U. ou au 1.800.267.2826 au Canada ou visiter le site internet [www.hamiltonbeach.com](http://www.hamiltonbeach.com) aux É.-U. ou [www.hamiltonbeach.ca](http://www.hamiltonbeach.ca) au Canada. Pour un service plus rapide, trouvez le numéro de modèle, le type d'appareil et les numéros de série sur votre appareil.

## ¡ADVERTENCIA



### **Peligro de Incendio.**

- No descuide este artefacto mientras se encuentra en funcionamiento.
- No lo use en el modo toaster (tostadora) con alimentos untados con mantequilla, jalea, glaseado, etc.
- No lo use en el modo toaster (tostadora) con tortas de arroz, alimentos fritos, alimentos preparados congelados o productos que no sean de pan.
- No lo use en el modo toaster (tostadora) con pastelitos para tostadora. Siempre cocine las pastelitos para tostadora en un horno tostador asador.
- No cubra o use cerca de cortinas, paredes, gabinetes, productos de papel o plástico, toallas de tela, etc.
- Se requiere una supervisión estricta cuando este artefacto lo usan niños o en su cercanía.
- Siempre desenchufe la Toastation™ cuando no la esté usando.

No seguir estas instrucciones puede provocar la muerte o un incendio.

## **SALVAGUARDIAS IMPORTANTES**

Cuando utilice artefactos eléctricos, siempre deben seguirse precauciones de seguridad básicas a fin de reducir el riesgo de incendio, descarga eléctrica, y/o lesiones a personas, incluyendo las siguientes:

1. Lea todas las instrucciones.
2. Verifique que el voltaje de su instalación corresponda con el del aparato.
3. No toque superficies calientes. Use manijas o perillas.
4. Para protegerse contra el riesgo de choque eléctrico, no sumerja el cable, el enchufe o el horno eléctrico en agua ni en ningún otro líquido.
5. Es necesario que haya buena supervisión cuando los niños utilicen electrodomésticos o cuando éstos se estén utilizando cerca de niños.
6. Desenchúfelo del tomacorriente cuando no lo esté usando y antes de la limpieza. Deje que se enfríe antes de limpiar el aparato o de colocar o sacar alguna pieza.
7. No opere ningún aparato electrodoméstico si el cordón o el enchufe están averiados, después de un mal funcionamiento del aparato, o si éste se ha caído o averiado de alguna forma. Llame a nuestro número gratuito de servicio al cliente para información sobre examinación, reparación o ajuste.
8. El uso de accesorios no recomendados por el fabricante del aparato puede causar lesiones.
9. No lo use al aire libre.
10. No deje que el cable cuelgue sobre el borde de una mesa o de un mostrador, incluyendo la estufa.
11. No coloque el aparato sobre o cerca de un quemador a gas o eléctrico caliente, ni dentro de un horno caliente.
12. Para desconectar, coloque todos los controles en la posición OFF (apagada), y luego saque el enchufe del tomacorriente.
13. Tenga mucho cuidado cuando saque la charola o elimine la grasa caliente.
14. No limpie con esponjillas metálicas. La esponjilla se puede desintegrar y los trozos pueden tocar las partes eléctricas, creando un riesgo de choque eléctrico.
15. No introduzca alimentos ni utensilios metálicos de gran tamaño, en el horno eléctrico ya que pueden crear un incendio o riesgo de choque eléctrico.

16. Puede ocurrir un incendio si el horno eléctrico se cubre, toca o se encuentra cerca de materiales inflamables, incluyendo cortinas, colgaduras, paredes y superficies similares cuando esté funcionando. No ponga nada sobre el aparato cuando esté funcionando.
17. Se debe tener mucho cuidado cuando se usen envases que no sean de metal o de vidrio.
18. Cuando no esté en uso, no guarde ningún material en este horno que no sean los accesorios recomendados por su fabricante.
19. No coloque ninguno de los siguientes materiales en el horno: papel, cartón, plástico y similares.
20. No cubra la charola para migajas ni ninguna otra parte del horno con papel metálico. Eso puede hacer que el horno se recaliente.
21. Para apagar el horno, presione el botón **ON/OFF** (encendido/apagado). Para interrumpir un ciclo de tostado, presione el botón **ON/OFF** (encendido/apagado) o empuje la palanca de la tostadora.
22. No ponga los ojos o la cara cerca de la puerta de seguridad de vidrio templado, en caso de que el vidrio de seguridad se rompa.
23. No use el aparato electrodoméstico para ningún otro fin que no sea el indicado.
24. Antes de usar este aparato, muévelo entre 2 y 4 pulgadas (5 y 10 cm) lejos de la pared o de cualquier objeto que se pueda haber colocado cerca o sobre el mismo. No lo use sobre superficies en donde el calor pueda ocasionar problemas.
25. Si el enchufe se calienta, llame a un electricista.
26. La puerta del horno no es un estante. No coloque alimentos pesados en la puerta.
27. Tenga mucho cuidado al extender la rejilla o al agregar alimentos en la rejilla extendida.

## ¡GUARDE ESTAS INSTRUCCIONES!

### Otra Información de Seguridad para el Cliente

**Este aparato ha sido diseñado solamente para uso doméstico.**

**¡ADVERTENCIA!** Peligro de Descarga Eléctrica: Este aparato cuenta con un enchufe polarizado (una pata más ancha) que reduce el riesgo de una descarga eléctrica. El enchufe embona únicamente en una dirección dentro de un tomacorriente polarizado. No trate de obviar el propósito de seguridad del enchufe modificándolo de alguna manera o utilizando un adaptador. Si el enchufe no entra completamente en la toma, invierta el enchufe. Si aún no entra, haga que un electricista reemplace la toma.

El largo del cable que se usa en este aparato fue seleccionado para reducir el peligro de que alguien se enganche o tropiece con un cordón más largo. Si se necesita un cordón más largo, se puede usar un cable de extensión aprobado. La clasificación nominal eléctrica del cable de extensión deberá ser igual o mayor que la clasificación nominal del horno eléctrico. Es importante tener cuidado de colocar el cable de extensión para que no se pliegue sobre el mostrador o la mesera en donde niños puedan tirar del mismo o tropezarse accidentalmente.

22

Este aparato viene equipado con una puerta de seguridad de vidrio totalmente templado. El vidrio templado es cuatro veces más fuerte que el vidrio común y más resistente a las roturas. El vidrio templado se puede romper, sin embargo se rompe en trozos sin bordes filosos. Es importante tener cuidado para evitar rayar la superficie de la puerta o hacer muescas en los bordes. Si la puerta está rayada o tiene muescas, llame al número de teléfono gratuito para servicio al cliente.

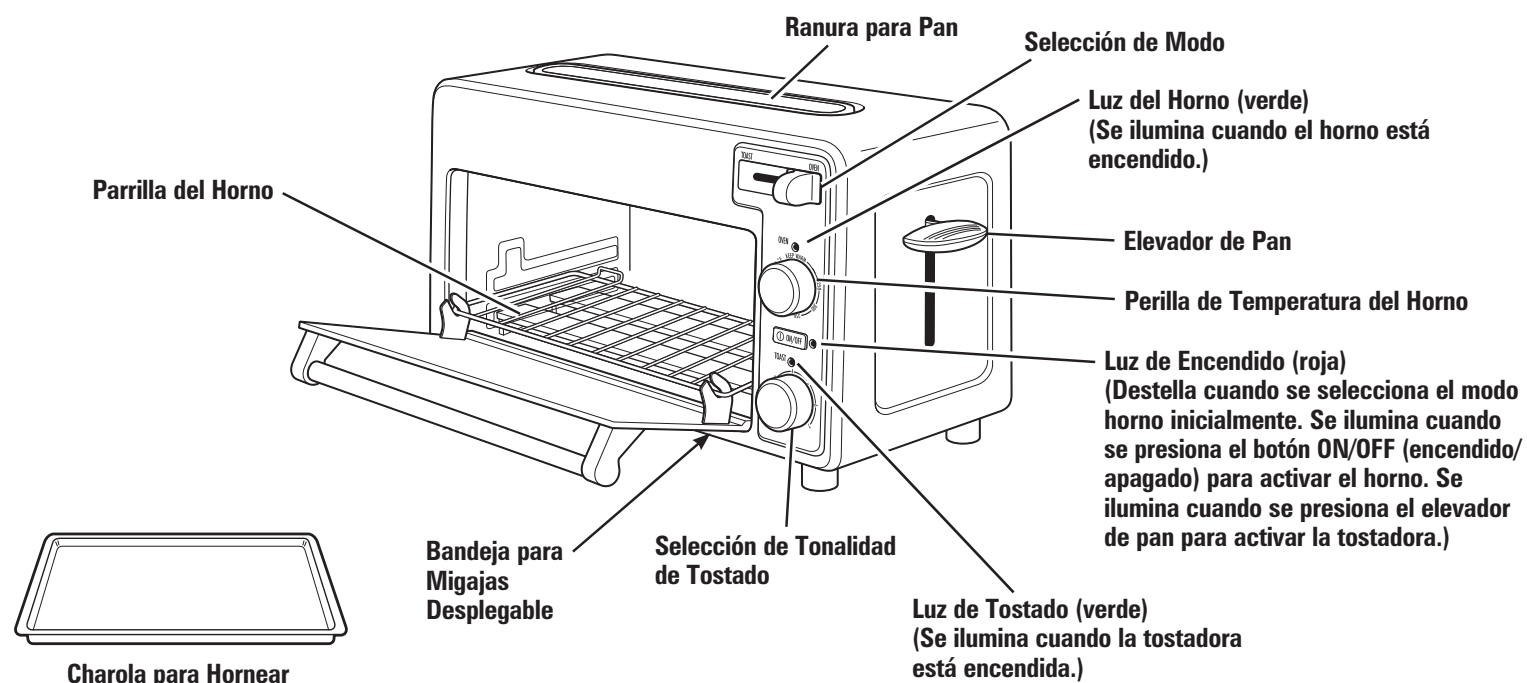
Cuando los alimentos pesados estén en la rejilla del horno, no jale hacia fuera más de la mitad de la rejilla. Para rociar los alimentos con el jugo de la cocción o para revisar el término de cocimiento, saque los alimentos del horno y coloque en la superficie del mostrador o base resistente al calor.

No coloque la asadera directamente en los protectores de calor que cubren a los elementos calefactores inferiores.

Para evitar una sobrecarga en el circuito, no haga funcionar ningún otro aparato de alto vataje en el mismo circuito que el horno.

# Piezas y Características

**ANTES DEL PRIMER USO:** Seleccione el modo Oven (horno); configure a 450°F (230°C). Caliente durante 15 minutos sin alimentos. La mayoría de los aparatos de calentamiento producen un olor y/o humo cuando los usan por primera vez. Esto es normal para esta clase de artefacto y no debe haber olor después del precalentado inicial.



# Modo Toast (tostar)

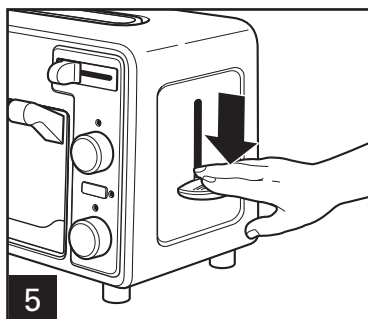
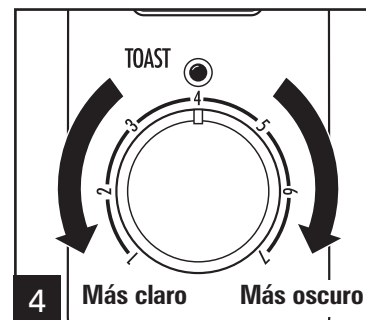
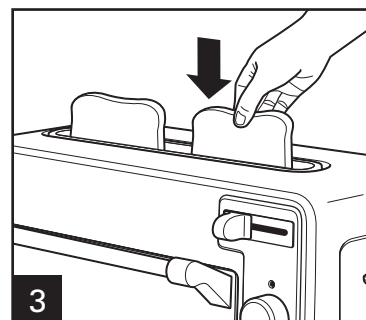
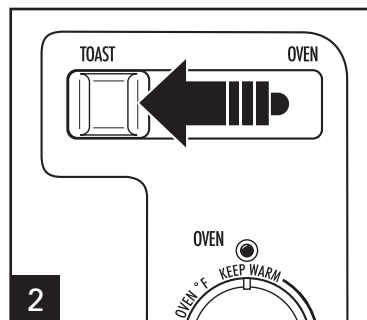
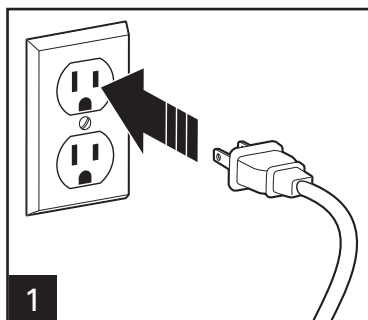
## ⚠ ADVERTENCIA

### Riesgo de Fuego.

- Si el contenido prende fuego, no abra la puerta del horno. Desconecte el horno y deje que el contenido deje de quemarse y se enfríe antes de abrir la puerta.

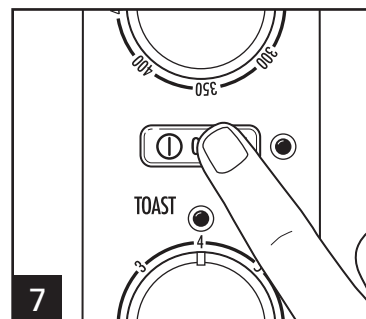
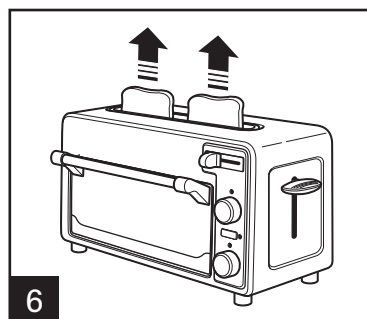
- No deje el aparato desatendido cuando esté funcionando.
- Siempre desconecte el horno tostador cuando no esté en uso.

**NOTA:** El elevador de pan no quedará trabado en la posición inferior a menos que la tostadora se encuentre enchufada.

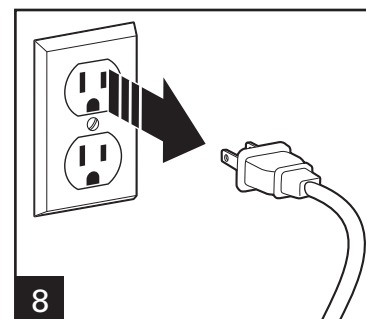


Se iluminarán la luz de encendido roja y la luz de tostado indicadora verde.

24



Presione el botón **ON/OFF** (encendido/apagado) para detener el tostado en cualquier momento.





## Modo Toast (tostar) (cont.)

ALIMENTO	CONFIGURACIÓN DE TONALIDAD	MODO/TEMP.
Pan normal	2-5	Tostador
Muffins ingleses	4	Tostador
Bagels	3-6	Tostador
Pan o panecillos congelados	4	Tostador
Waffles congelados	4	Tostador
Pastelitos para tostadora* (como as Pop Tarts®)	N/A	Horno/350°F (180°C) durante 2 minutos
Alimentos preparados congelados* (como Toaster Strudel™ o Hot Pockets®)	N/A	Horno/350°F (180°C) Siga las instrucciones del fabricante

\*Pop Tart es una marca registrada de Kellogg Co.

™Toaster Strudel es una marca registrada de Pillsbury Co.

\*Hot Pockets es una marca registrada de Nestlé

\*No caliente en la tostadora—use la porción del horno tostador de la Toastation™ con el control de modo en la posición de horno. NUNCA caliente pasteles agrietados, partidos o doblados, y NUNCA los deje sin supervisión.

Para retirar comida que se haya quedado en las ranuras, desconecte del tomacorriente y deje que la tostadora se enfríe. Voltee la tostadora hacia abajo y agite. No use un tenedor ni otro utensilio que pudiera dañar el elemento calefactor o resultar en un riesgo de incendio o choque eléctrico.

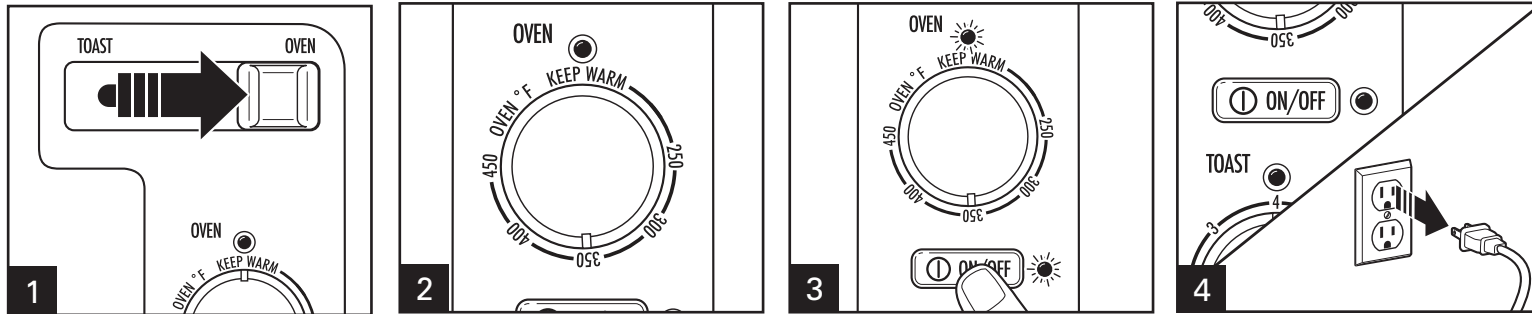
# Modo Oven (horno)

## ⚠ ADVERTENCIA

### Peligro de Incendio.

- No deje el horno sin atención durante el funcionamiento.
- Mantenga una pulgada entre los alimentos y el elemento calentador.
- No utilice bolsas de cocción para horno.
- No caliente alimentos en recipientes de plástico.
- Siga las instrucciones del fabricante de alimentos.

**NOTA:** Lave la charola para hornear antes de usar.



Verifique que la selección se encuentre en modo "OVEN" (horno) (ranura cerrada). La luz de encendido roja destellará 6 veces. Elija la temperatura.

Presione el botón **ON/OFF** (encendido/apagado) y precaliente de 5 minutos. Se iluminarán la luz de encendido roja y la luz del horno verde. Cuando haya terminado, presione el botón **ON/OFF** (encendido/apagado). La luz de encendido roja se apagará. Desenchufe la unidad después del uso. **NOTA:** El horno se apagará automáticamente después de 2 horas.

Toastation™ está concebido para alimentos que comúnmente se preparan en un horno tostador: Aperitivos, pizza, bagels, nuggets de pollo, papas fritas y pastelitos para tostadora. Fue diseñado pensando en esos alimentos.

- **La mayoría de los alimentos debe hornearse** según las instrucciones del paquete o de la receta. Controle con cuidado y ajuste el tiempo o la temperatura si fuese necesario.
- **Para recalentar pizza**, nunca coloque la caja en el horno. Cocine a 450°F (230°C) durante 3 minutos o hasta que esté lista.
- **Para una pizza de corteza crocante**, cocine la pizza congelada directamente sobre la parrilla del horno.
- **Para una pizza de corteza suave**, cocine sobre la charola para hornear.

- **Para una patata el horno**, cocine directamente sobre la parrilla del horno a 400°F (204°C) durante 1 hora.
- **Para una pizza de corteza casera** (o cualquier masa suave), cocine la pizza en una charola para hornear.
- **Para tostar pastelitos para tostadora normales o pastelitos congelados**, tueste directamente sobre la parrilla del horno. Si los pastelitos tienen un baño o glaseado, utilice una charola para hornear.
- Cuando tueste, puede formarse **condensación** en la puerta del horno. El horno tostador está cerrado y la humedad tarda en salir. Después del uso, seque la puerta, lo que hará más sencilla la limpieza.
- **Quite los alimentos inmediatamente** o el calor que permanece en la tostadora seguirá horneando y secando sus alimentos.

# Limpieza y Cuidado



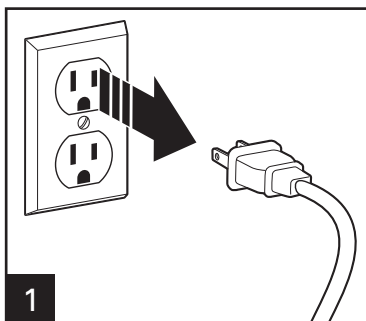
**ADVERTENCIA**

**Peligro de Descarga Eléctrica.**

No limpie con esponjillas de metal.

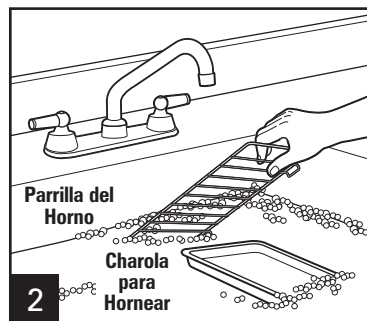
Pueden desprenderse pedazos de la esponjilla y tocar partes eléctricas.

Su Toastation™ debe limpiarse regularmente para un mejor desempeño y una vida útil más prolongada. La limpieza regular también reduce el riesgo de incendio.

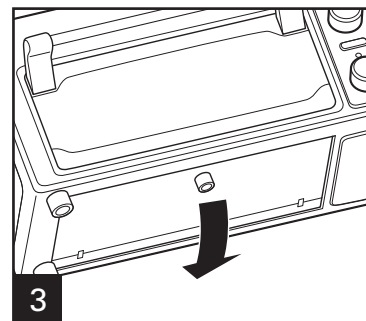


1

Desenchufe el Toastation™ y deje que se enfríe.



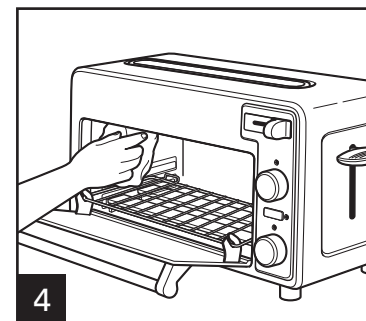
2



3

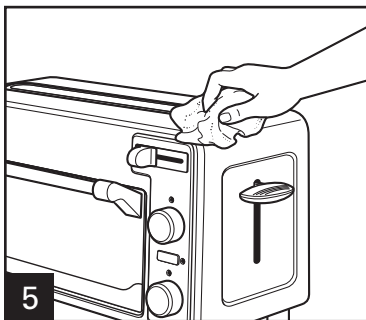
Jale la charola hacia abajo y hacia fuera. Sacuda suavemente las migajas fuera de la charola y limpie con un trapo húmedo y limpio. Ponga de nuevo la charola y asegúrela en su posición.

**NOTA:** La charola de migajas no es removible.



4

Para limpiar la parte interna del horno, pase un paño húmedo jabonoso en las paredes, piso y puerta de vidrio. Repita con un paño húmedo y limpio.



5

# Resolviendo Problemas

PROBLEMA	CAUSA PROBABLE
El horno no calienta.	<ul style="list-style-type: none"><li>• Verifique que el tomacorriente funcione y que el horno esté enchufado. Asegúrese de que se haya presionado el botón <b>ON/OFF</b> (encendido/apagado) después de configurar la temperatura deseada.</li><li>• Verifique que la selección de modo esté configurada en OVEN (horno).</li><li>• El horno se apagará automáticamente después de 2 horas.</li></ul>
Se forma humedad en la parte interna del horno cuando se tuesta.	<ul style="list-style-type: none"><li>• Esto es normal cuando se tuesta con el horno tostador. La humedad tarda más en salir del horno tostador que de la tostadora. La cantidad de humedad será diferente entre pan fresco, bagels y pastelitos congelados.</li></ul>
Sale olor y humo del horno.	<ul style="list-style-type: none"><li>• El humo y el olor son normales durante el primer uso de la mayoría de los artefactos calentadores. Esto no aparecerá después del período inicial de calentamiento.</li></ul>
La luz indicadora queda encendida.	<ul style="list-style-type: none"><li>• Es normal que la luz indicadora verde se ilumine cuando la unidad se encuentra enchufada. Si la luz indicadora roja permanece encendida después de haber presionado el botón <b>ON/OFF</b> (encendido/apagado) para cancelar el tostado o el horneado, desenchufe la unidad y llame a nuestro número gratuito de servicio de atención al cliente para información sobre inspección, reparación y arreglos eléctricos o mecánicos. No siga utilizando su horno tostador.</li></ul>
Algunos alimentos se queman y otros no se cocinan lo suficiente.	<ul style="list-style-type: none"><li>• Ajuste la temperatura del horno o el tiempo de cocción para mejores resultados con sus recetas.</li></ul>

*Notas*



Importado por Grupo HB PS, S.A. de C.V.  
Monte Elbruz No. 124 Int. 301  
Col. Palmitas Polanco  
México, D.F. C.P. 11560  
01-800-71-16-100

### PÓLIZA DE GARANTÍA

PRODUCTO:	MARCA:		MODELO:
Grupo HB PS, S.A. de C.V. cuenta con una Red de Centros de Servicio Autorizada, por favor consulte en la lista anexa el nombre y dirección de los establecimientos en la República Mexicana en donde usted podrá hacer efectiva la garantía, obtener partes, componentes, consumibles y accesorios; así como también obtener servicio para productos fuera de garantía. Para mayor información llame sin costo: <b>Centro de Atención al consumidor: 01 800 71 16 100</b>			
Grupo HB PS, S.A. de C.V. le otorga a partir de la fecha de compra: <b>GARANTÍA DE 1 AÑO.</b>			
<b>COBERTURA</b>			
<ul style="list-style-type: none"><li>• Esta garantía ampara, todas las piezas y componentes del producto que resulten con defecto de fabricación incluyendo la mano de obra.</li><li>• Grupo HB PS, S.A. de C.V. se obliga a reemplazar, reparar o reponer, cualquier pieza o componente defectuoso; proporcionar la mano de obra necesaria para su diagnóstico y reparación, todo lo anterior sin costo adicional para el consumidor.</li><li>• Esta garantía incluye los gastos de transportación del producto que deriven de su cumplimiento dentro de su red de servicio.</li></ul>			
<b>LIMITACIONES</b>			
<ul style="list-style-type: none"><li>• Esta garantía no ampara el reemplazo de piezas deterioradas por uso o por desgaste normal, como son: cuchillas, vasos, vasos, filtros, etc.</li><li>• Grupo HB PS, S.A. de C.V. no se hace responsable por los accidentes producidos a consecuencia de una instalación eléctrica defectuosa, ausencia de toma de tierra, clavija de enchufe en mal estado, etc.</li></ul>			
<b>EXCEPCIONES</b>			
Esta garantía no será efectiva en los siguientes casos: <ul style="list-style-type: none"><li>a) Cuando el producto se hubiese utilizado en condiciones distintas a las normales. (Uso industrial, semi-industrial o comercial.)</li><li>b) Cuando el producto no hubiese sido operado de acuerdo con el instructivo de uso.</li><li>c) Cuando el producto hubiese sido alterado o reparado por personas no autorizadas por Grupo HB PS, S.A. de C.V. el fabricante nacional, importador o comercializador responsable respectivo.</li><li>d) Esta garantía pierde su validez si el producto es utilizado en un medio diferente a una vivienda unifamiliar o se somete a cualquier voltaje o forma de onda diferente a la especificada en la etiqueta de clasificación (ej., 120V ~ 60 Hz).</li></ul> El consumidor puede solicitar que se haga efectiva la garantía ante la propia casa comercial donde adquirió su producto, siempre y cuando Grupo HB PS, S.A. de C.V. no cuente con talleres de servicio.			

**PROCEDIMIENTO PARA HACER EFECTIVA LA GARANTÍA**

- Para hacer efectiva la garantía no deben exigirse mayores requisitos que la presentación del producto y la póliza correspondiente, debidamente sellada por el establecimiento que lo vendió.
- Para hacer efectiva la garantía, lleve su aparato al Centro de Servicio Autorizado más cercano a su domicilio (consulte la lista anexa).
- Si no existe Centro de Servicio Autorizado en su localidad llame a nuestro Centro de Atención al Consumidor para recibir instrucciones de como hacer efectiva su garantía.
- El tiempo de reparación, en ningún caso será mayor de 30 días naturales contados a partir de la fecha de recepción del producto en nuestros Centros de Servicio Autorizados.
- En caso de que el producto haya sido reparado o sometido a mantenimiento y el mismo presente deficiencias imputables al autor de la reparación o del mantenimiento dentro de los treinta días naturales posteriores a la entrega del producto al consumidor, éste tendrá derecho a que sea reparado o mantenido de nuevo sin costo alguno. Si el plazo de la garantía es superior a los treinta días naturales, se estará a dicho plazo.
- El tiempo que duren las reparaciones efectuadas al amparo de la garantía no es computable dentro del plazo de la misma. Cuando el bien haya sido reparado se iniciará la garantía respecto de las piezas repuestas y continuará con relación al resto. En el caso de reposición del bien deberá renovarse el plazo de la garantía.

DÍA\_\_ MES\_\_ AÑO\_\_

Si desea hacer comentarios o sugerencias con respecto a nuestro servicio o tiene alguna queja derivada de la atención recibida en alguno de nuestros Centros de Servicio Autorizados, por favor dirigirse a:

**GERENCIA INTERNACIONAL DE SERVICIO**  
01 800 71 16 100  
Email: [mexico.service@hamiltonbeach.com.mx](mailto:mexico.service@hamiltonbeach.com.mx)

**RED DE CENTROS DE SERVICIO AUTORIZADA GRUPO HB PS, S.A. DE C.V.**

**Distrito Federal**

**ELECTRODOMÉSTICOS**

Av. Plutarco Elías Calles No. 1499  
Zacahuitzco MEXICO 09490 D.F.  
Tel: 01 55 5235 2323 • Fax: 01 55 5243 1397

**CASA GARCIA**

Av. Patriotismo No. 875-B  
Mixcoac MEXICO 03910 D.F.  
Tel: 01 55 5563 8723 • Fax: 01 55 5615 1856

**Nuevo Leon**

**FERNANDO SEPULVEDA REFACCIONES**

Ruperto Martínez No. 238 Ote.  
Centro MONTERREY, 64000 N.L.  
Tel: 01 81 8343 6700 • Fax: 01 81 8344 0486

**Jalisco**

**SERVICIOS DE MANTENIMIENTO CASTILLO**

Garibaldi No. 1450  
Ladrón de Guevara  
GUADALAJARA 44660 Jal.  
Tel: 01 33 3825 3480 • Fax: 01 33 3826 1914

**Chihuahua**

**DISTRIBUIDORA TURMIX**

Av. Paseo Triunfo de la Rep. No. 5289 Local 2 A.  
Int. Hipermart  
Alamos de San Lorenzo  
CD. JUAREZ 32340 Chih.  
Tel: 01 656 617 8030 • Fax: 01 656 617 8030

**Modelos:**  
**22720, 22721, 22722**

**Tipo:**  
**O54**

**Características Eléctricas:**  
**120V~ 60Hz 1300W**

**Los modelos incluidos en el instructivo de Uso y Cuidado pueden ir seguidos o no por un sufijo correspondiente a una o varias letras del alfabeto y sus combinaciones, separadas o no por un espacio, coma, diagonal, o guión. Como ejemplos los sufijos pueden ser: "Y" y/o "MX" y/o "MXY" y/o "Z".**