

**READ BEFORE USE  
LIRE AVANT UTILISATION  
LEA ANTES DE USAR**

Visit [www.hamiltonbeach.com](http://www.hamiltonbeach.com) for our complete line of products and Use and Care Guides – as well as delicious recipes, tips, and to register your product online!

Rendez-vous sur [www.hamiltonbeach.ca](http://www.hamiltonbeach.ca) pour notre liste complète de produits et de nos manuels utilisateur – ainsi que nos délicieuses recettes et nos conseils !

¡Visite [www.hamiltonbeach.com](http://www.hamiltonbeach.com) (EE. UU.) o [www.hamiltonbeach.com.mx](http://www.hamiltonbeach.com.mx) (México) para ver otros productos de Hamilton Beach o para contactarnos!

**Questions?**

Please call us – our friendly associates are ready to help.  
USA: 1.800.851.8900

**Questions ?**

N'hésitez pas à nous appeler – nos associés s'empresseront de vous aider.  
CAN : 1.800.267.2826

**¿Preguntas?**

Por favor llámenos – nuestros amables representantes están listos para ayudar.

EE. UU.: 1.800.851.8900

MEX: 01 800 71 16 100

Le invitamos a leer cuidadosamente este instructivo antes de usar su aparato.

# Hamilton Beach®

Deep Fryer

Friteuse

Freidora Eléctrica



English .....	2
Français.....	19
Español .....	37

Recipes Included!  
Recettes à l'intérieur !  
¡Recetas Incluidas!

## IMPORTANT SAFEGUARDS

When using electrical appliances, basic safety precautions should always be followed to reduce the risk of fire, electric shock, and/or injury to persons, including the following:

1. Read all instructions.
2. This appliance is not intended for use by persons (including children) with reduced physical, sensory, or mental capabilities, or lack of experience and knowledge, unless they are closely supervised and instructed concerning use of the appliance by a person responsible for their safety.
3. Close supervision is necessary when any appliance is used by or near children. Children should be supervised to ensure that they do not play with the appliance.
4. Do not touch hot surfaces. Use handles or knobs.
5. To protect against risk of electric shock, do not immerse cord, plugs, or removable control panel with heating element in water or other liquid.
6. Be sure handle is properly assembled to basket and locked into place. See detailed assembly instructions.
7. Unplug from wall outlet when not in use and before cleaning. Allow to cool before putting on or taking off parts and before cleaning the appliance.
8. Do not operate any appliance with a damaged cord or plug, or after the appliance malfunctions or has been damaged in any manner. Call our toll-free customer service number for information on examination, repair, or adjustment.
9. The use of accessory attachments not recommended or sold by the appliance manufacturer for use with this model may cause injuries.
10. Do not use outdoors.
11. Do not let cord hang over edge of table or counter or touch hot surfaces.
12. Do not place on or near a hot gas or electric burner, or in a heated oven.
13. Never move deep fryer containing hot oil.
14. Always attach plug to appliance first; then plug cord in the wall outlet. To disconnect, turn any control to MIN and remove plug from wall outlet.
15. Do not use appliance for other than intended purpose.
16. To reduce the risk of injury, NEVER fill oil above MAX fill mark.
17. Always ensure removable pot is filled to at least MIN level when using oil.
18. Never leave appliance unattended while in use.
19. Always dry foods and remove ice before frying.
20. Always dry deep fryer components thoroughly after cleaning and before frying.
21. Always fry with lid in place.
22. Do not use refrigerated oil.
23. Never block vent on lid. Be aware of steam emitting from vent.
24. Escaping steam may cause burns to hands or fingers. Open the lid carefully.
25. Always raise basket and allow food to drain before removing lid or food basket.
26. Do not use for more than 60 minutes in a 2-hour period.

## SAVE THESE INSTRUCTIONS!

### **Other Consumer Safety Information**

**This product is intended for household use only.**

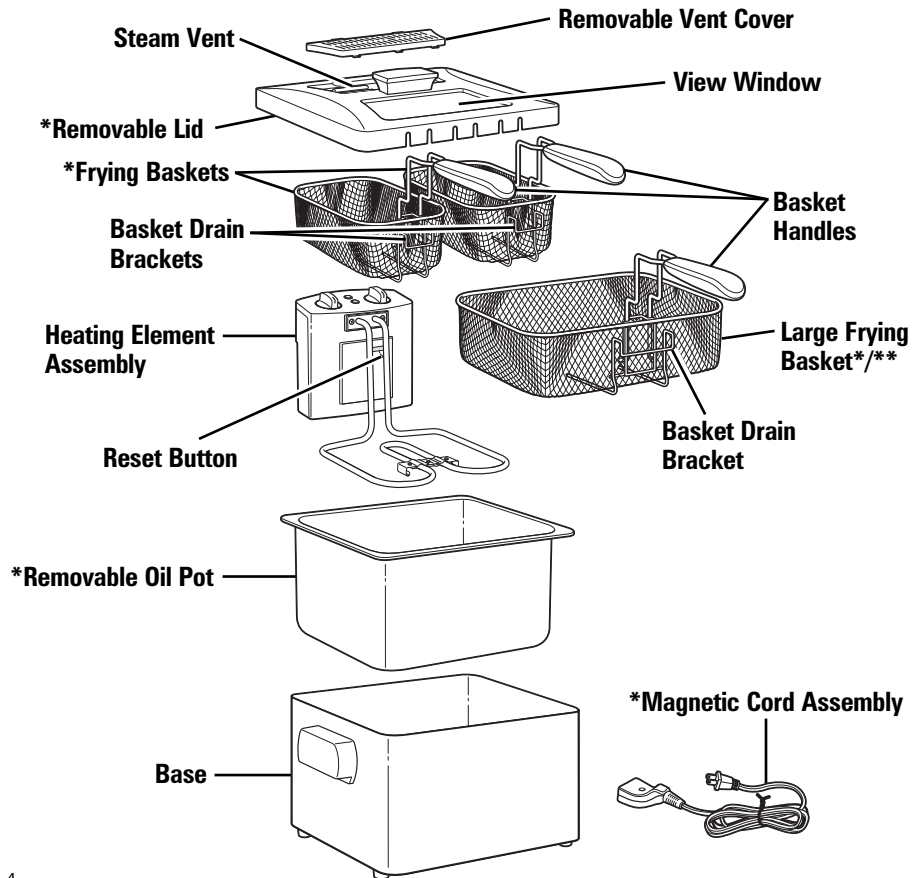
This product is only intended for the preparation, cooking, and serving of foods. This product is not intended for use with any nonfood materials or products.

**WARNING!** Shock Hazard: This appliance has a polarized plug (one wide blade) that reduces the risk of electric shock. The plug fits only one way into a polarized outlet. Do not defeat the safety purpose of the plug by modifying the plug in any way or by using an adapter. If the plug does not fit fully into the outlet, reverse the plug. If it still does not fit, have an electrician replace the outlet.

**WARNING!** Burn Hazards.

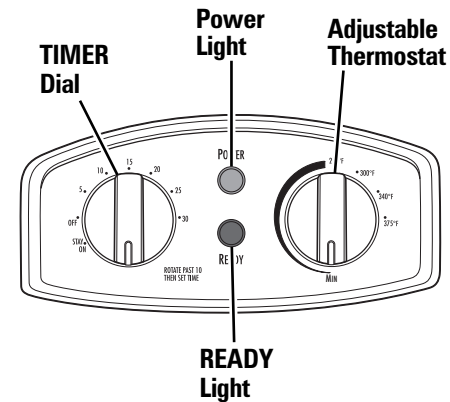
- Serious hot-oil burns may result from a deep-fat fryer being pulled off a countertop. Do not allow the cord to hang over the edge of the counter where it may be grabbed by children or become entangled with the user. Do not use with an extension cord.
- Hot liquid will splash if you miss the drain bracket and accidentally drop the frying basket into the hot liquid. Do not lean over the deep fryer when the lid is off.

# Parts and Features

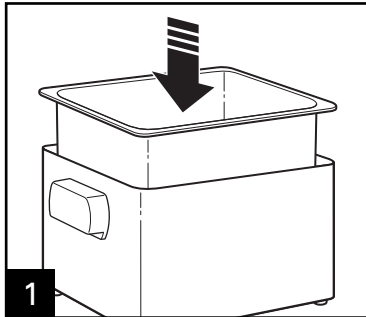


\*To order parts:  
 US: 1.800.851.8900  
[www.hamiltonbeach.com](http://www.hamiltonbeach.com)  
 Canada: 1.800.267.2826  
 Mexico: 01 800 71 16 100

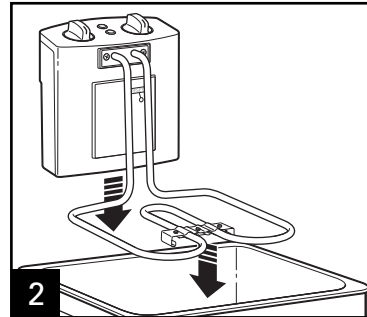
\*\*Optional accessory on select models



# How to Assemble the Fryer

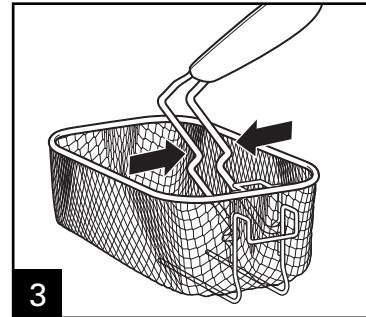


**1** Place base on a stable, flat surface. Insert oil pot into base.

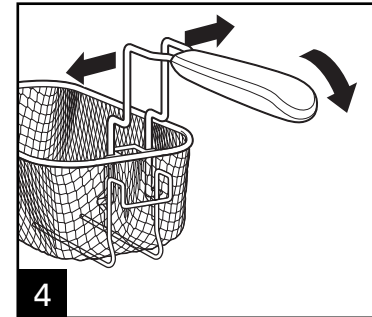


**2** Align grooves of heating element assembly with grooves on base. Push down on heating element assembly to connect it to the base.

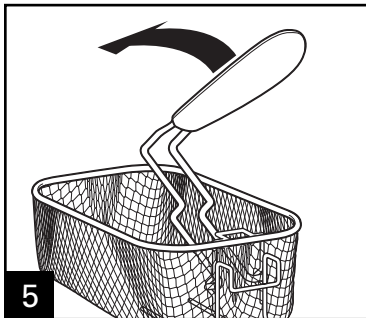
**NOTE:** Heater cannot be turned on unless correctly installed on base.



**3** To assemble handle, squeeze tines of handle together. Align tines with round holes on metal bracket inside basket(s).

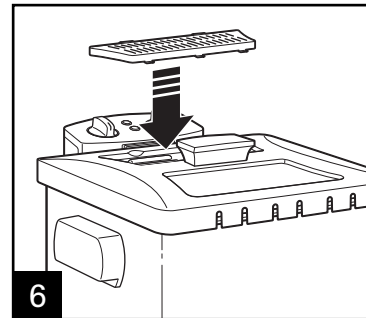


**4** Release tines to allow them to spread and then pull handle back to lock into metal bracket.



**5**

For storage: Rotate handle into basket(s).



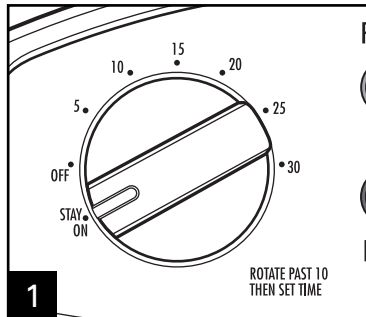
**6**

Align vent cover and vent of lid toward heating element assembly. Lid snaps into place.

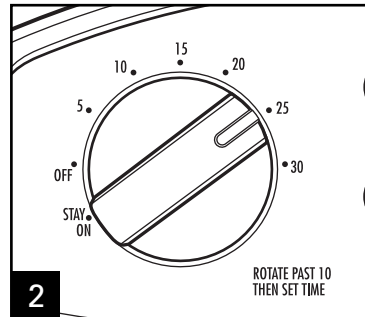
5

# How the Timer Works

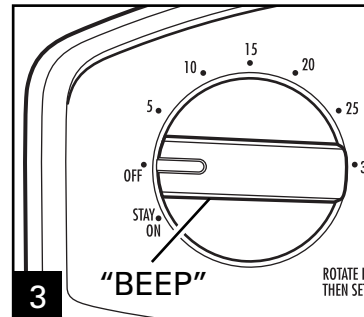
The timer counts down. It can be set for any time between 1 and 30 minutes.



To set timer, rotate past 10 minutes and then to desired frying time or rotate timer to **STAY ON**.



Timer will start counting down selected time shortly after you stop turning the **TIMER** knob.



Timer will beep when it reaches **OFF** and fryer turns off automatically.

**NOTE:** Do not use **STAY ON** for more than 60 minutes in a 2-hour period.

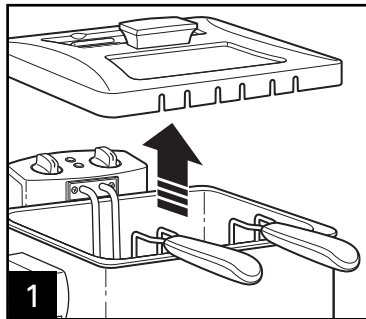
# Frying

**⚠ WARNING Burn Hazard.**

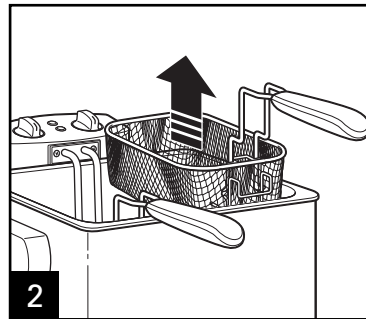
- Never fill oil above MAX fill mark.
- Never move fryer when it is in operation or when fryer contains hot oil.
- Never leave fryer unattended while in use.
- Remove as much moisture from food as possible. Do not add water or ice to oil.
- Escaping steam may cause burns to hands or fingers. Open lid carefully.

**BEFORE FIRST USE:** Thoroughly clean and dry fryer. See "Cleaning Your Fryer" section.

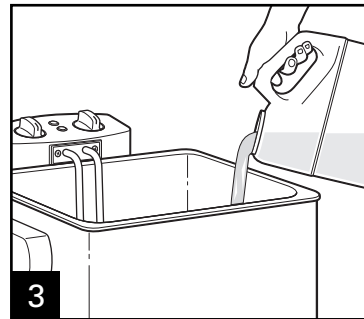
**NOTE:** Never operate unit without oil in tank or unit will exceed temperature limit and will require resetting. See "How to Reset" section for details.



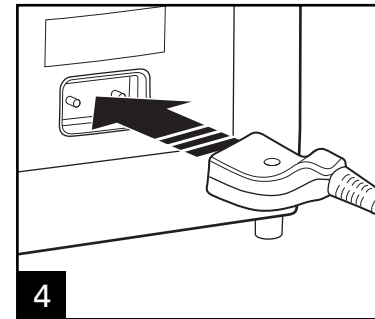
Place assembled fryer on a stable, level, heat-resistant surface out of reach of children. Lift lid to open.



Remove basket(s) from fryer.



Fill fryer with about 15 cups (3.5 L) but no more than about 19 cups (4.5 L) of oil to top indicator mark on removable oil pot.

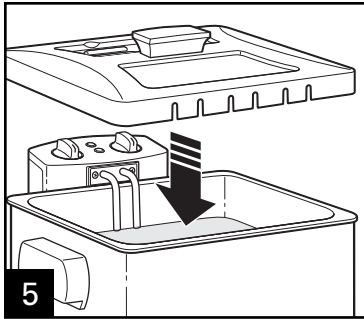


Make sure fryer is turned to MIN. Attach magnetic end of cord assembly to fryer socket. Magnetic end of cord will only go in one way. Be careful not to disturb magnetic connection when plugging cord into electrical outlet.

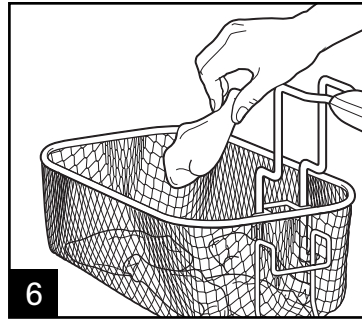
**NOTE:** The low magnetic force allows the cord to "break away" which prevents unit from accidentally being pulled off a countertop.

# Frying (cont.)

**FRYING TIP:** **READY** light may go out after frying a batch of food. When oil has reached selected temperature, **READY** light will come back on. Unit is now ready to fry next batch of food.



Replace lid. Plug in unit. Set thermostat to desired setting. Preheat fryer until **READY** light comes on (10 to 15 minutes). For more information on temperature selection, check food package or Frying Chart. **READY** light will come on when oil has reached preset temperature. Remove lid before frying.

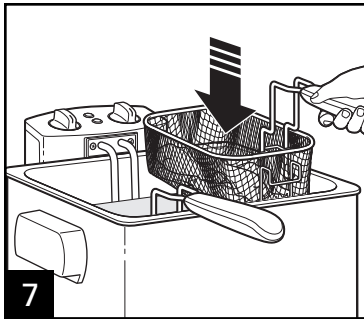


To fry food, place food in basket(s).

**TO FRY UNBATTERED FOOD:** Place food in basket and proceed with Step 7.

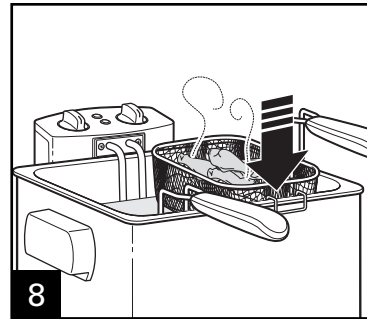
**TO FRY BATTERED FOOD (such as tempura batter):** Lower basket into oil; then carefully place food directly into oil.

**NOTE:** Do not exceed maximum amount of food to be fried in one batch. See Frying Chart for more information.



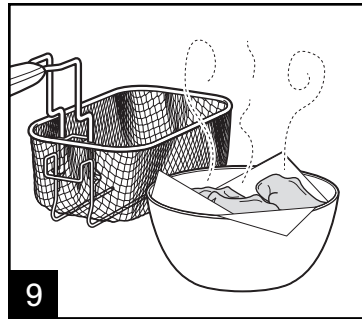
Carefully place basket(s) in fryer. Replace lid.

**NOTE:** Never operate unit without oil in pot or unit will exceed temperature limit and will require resetting.



When frying is done, remove lid, raise basket(s), and hook over removable oil pot to drain.

**NOTE:** Do not allow condensation to drain into oil pot while removing lid or while unit is off.



Carefully empty food from basket(s) and place in a bowl, colander, or tray lined with paper towel. Fill basket(s) and repeat as needed to complete frying. Set thermostat to **MIN** and unplug appliance after use.



# Frying Chart

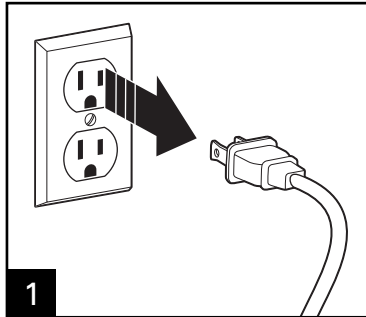
<b>FROZEN FOODS</b>	<b>FRYING TEMPERATURE</b>	<b>QUANTITY (per small basket, double amounts for large basket)</b>	<b>SINGLE BASKET TIME</b>	<b>DOUBLE BASKET/ LARGE BASKET TIME</b>	<b>INTERNAL TEMP/ DONENESS</b>
Cheese Sticks	350°F (177°C)	8 oz (227 g)	1 1/2 to 2 1/2 minutes	1 1/2 to 2 1/2 minutes	Brown and crisp
Chicken Nuggets	375°F (191°C)	24 oz (680 g)	3 to 4 minutes	5 to 6 minutes	Brown and crisp
Chicken Strips	375°F (191°C)	20 oz (567 g)	6 to 7 minutes	8 to 9 minutes	Brown and crisp
Chicken Tenders	375°F (191°C)	22 oz (624 g)	5 to 6 minutes	8 to 9 minutes	Brown and crisp
Chicken Wings	375°F (191°C)	20 oz (567 g)	10 to 12 minutes	13 to 15 minutes	165°F (73°C), Brown
Fish Sticks	350°F (177°C)	10 oz (283 g)	2 to 3 minutes	2 1/2 to 3 1/2 minutes	Brown and crisp
French Fries	375°F (191°C)	18 oz (510 g)	10 to 12 minutes	13 to 14 minutes	Brown and crisp
Onion Rings	350°F (177°C)	16 oz (454 g)	1 1/2 to 2 1/2 minutes	2 1/2 to 3 1/2 minutes	Brown and crisp
Shrimp, butterflied, breaded	350°F (177°C)	18 oz (510 g)	3 to 4 minutes	3 to 4 minutes	Brown and crisp
<b>FRESH FOODS</b>					
Broccoli, tempura battered	375°F (191°C)	8–10 pieces	1 to 2 minutes	1 to 2 minutes	Light brown and crisp
Chicken Wings	375°F (191°C)	16 oz (454 g)	8 to 9 minutes	9 to 10 minutes	165°F (73°C), Brown
Corn tortillas, cut in pieces	375°F (191°C)	4 tortillas	1 to 2 minutes	1 to 2 minutes	Crisp
French Fries	375°F (191°C)	16 oz (454 g)	7 to 9 minutes	12 to 14 minutes	Brown and crisp
Hush Puppies	350°F (177°C)	8 pieces	4 to 6 minutes	4 to 6 minutes	Golden brown
Shrimp, tempura battered	375°F (191°C)	8–10 pieces	2 to 2 1/2 minutes	2 to 2 1/2 minutes	Light brown and crisp

9

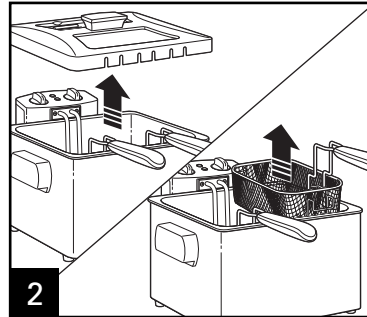
# Cleaning Your Fryer

**⚠ WARNING Burn Hazard.**

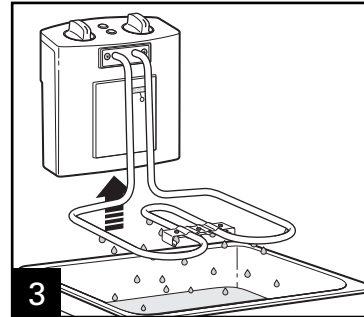
To avoid eruptions and/or spatter of hot oil, dry all fryer components thoroughly before using.



**1** Unplug from wall outlet. Wait until oil has cooled. This can take several hours.



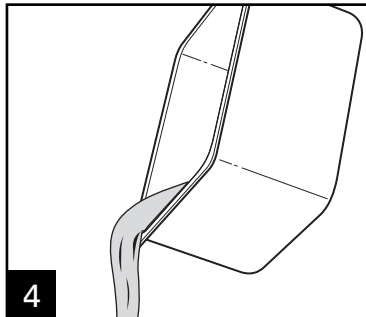
**2** Remove lid and remove basket(s) from fryer.



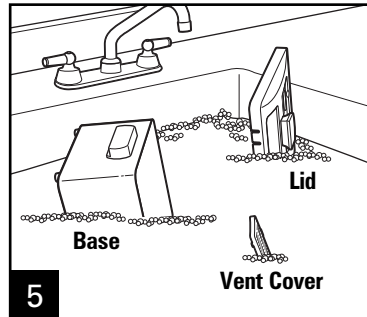
**3** Lift heating element assembly from base and allow oil to drain into oil pot.

Do not immerse heating element assembly in water.

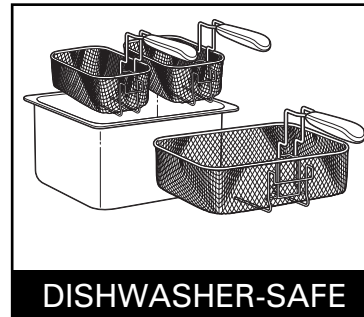
**NOTE:** To avoid damaging fryer, use care when cleaning heating element assembly. Gently wipe with soft cloth dampened with hot, soapy water.



**4** Lift oil pot from base and pour out oil. Wipe all excess oil or oil film from oil pot.



**5** Clean base, lid, and vent cover with hot, soapy water. Dry thoroughly. Position lid vertically to drain and allow to dry thoroughly.



**DISHWASHER-SAFE**

DO NOT use the "SANI" setting when washing in the dishwasher. "SANI" cycle temperatures could damage your product.

# Frying Tips

## **SELECTING AND CHANGING THE FRYING OIL:**

- Use a good quality vegetable or peanut oil.
- Frying foods in butter, margarine, olive oil, or animal fat is NOT recommended because of low temperature smoke point.
- DO NOT mix two types of oil.
- Change oil regularly to maintain optimum frying and flavor quality.
- Oil used for french fries can be used 10 to 12 times before changing if oil is filtered after each use. Oil used for food that is high in protein (such as meat or fish) should be changed more frequently.
- To filter oil, allow oil to cool completely. Cheesecloth or paper towel may be used as a filter to strain oil.
- Always follow food package directions.
- DO NOT add fresh oil to used oil.
- Always change the oil when it has a strong smell or taste, or when it turns dark and/or syrupy.

## **BEFORE FRYING:**

- Remove any excess water from fresh food by blotting with a paper towel. Excess water or ice particles can cause hot oil to splatter or foam.

## **GENERAL TIPS:**

- DO NOT use plastic utensils in hot oil.
- Season food AFTER frying.
- If food is not as crisp as desired, reduce batch size.

## **DISPOSING OF OIL:**

- Pour cool oil into its original (resealable) empty plastic bottle.

## **BASKET USAGE WITH FRESHLY BATTERED FOODS:**

- Freshly battered foods should be carefully placed directly into oil. First, lower basket completely and then carefully place each piece of battered food into hot oil. Use basket to remove fried battered foods.

## **STORAGE:**

- Basket handle can be disengaged and rotated into basket. Place oil pot in base and then place basket and power cord in oil pot.
- It is best to store all oils in the refrigerator or a cool, dark, dry place for up to six months.

## **COOKING:**

- Length of cooking time and temperature may vary based on batch size and weight.
- For best results, fry a single layer of food for each batch.
- Frozen, uncooked chicken should be thawed, excess water removed, and patted dry with paper towel prior to cooking.
- Always follow package directions.
- When cooking meat, poultry, or fish, use cooking thermometer to determine internal temperatures.
- Visit [foodsafety.gov](http://foodsafety.gov) for more information on safe internal cooking temperatures.

## **IF YOU LIVE IN A HIGH-ALTITUDE AREA:**

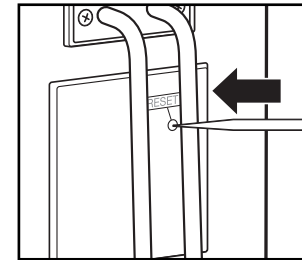
Visit: <http://www.csrees.usda.gov/Extension/>.

# Troubleshooting

## HOW TO RESET:

If your unit is not heating or will not turn on, your unit may need to be reset.

1. Make sure fryer and oil are cold.
2. Turn temperature control to MIN.
3. Unplug magnetic cord from the wall outlet.
4. Remove removable control panel and heater element.
5. Use a thin pointed object such as a wooden skewer or thin screwdriver to push in RESET button.



PROBLEM	PROBABLE CAUSE/SOLUTION
Fried food does not have a golden-brown color and/or is not crispy.	<ul style="list-style-type: none"> <li>• Selected temperature is too low or food has not been fried long enough. Check food package or Frying Chart for correct temperature or preparation time.</li> <li>• There is too much food in basket(s). Never fry too much food at one time. See food package, Frying Chart, or recipe for correct frying amount. Food pieces may be too thick to fry adequately.</li> <li>• Volume of oil is too low.</li> </ul>
Fryer gives off a strong, unpleasant odor.	<ul style="list-style-type: none"> <li>• Oil isn't fresh. Change oil. Filter oil regularly to keep it fresh longer.</li> <li>• When frying food with a high moisture content (such as chicken or fries), change oil frequently.</li> <li>• Type of oil is not suitable for deep-frying food. Use good quality frying oil. Do not mix two different types of oil or fat.</li> </ul>
Unit does not heat.	<ul style="list-style-type: none"> <li>• Ensure magnetic cord assembly is properly attached to fryer socket.</li> <li>• Ensure electrical cord assembly is plugged into electrical outlet.</li> <li>• Heating element assembly not correctly assembled. Make sure heating element assembly is properly installed on base. See "How to Assemble the Fryer" section.</li> <li>• Press RESET button on heating element assembly by inserting a small pointed item (such as a wooden skewer) into the opening labeled RESET. Make sure fryer has recommended amount of oil in oil pot.</li> </ul>

# Troubleshooting (cont.)

PROBLEM	PROBABLE CAUSE/SOLUTION
During frying, the oil spills over the edge of the fryer.	<ul style="list-style-type: none"> <li>• There is too much oil in fryer. Make sure that oil does not exceed maximum level mark.</li> <li>• Basket(s)/food immersed too quickly. Carefully raise basket(s) out of oil.</li> <li>• Food contains too much liquid. Dry food thoroughly before placing it in fryer. Follow instructions in "Frying" section.</li> <li>• When frying food with a high moisture content (such as chicken or fries), change oil frequently.</li> <li>• There is too much food in frying basket(s). Do not fry more food at one time than quantities indicated on food package or Frying Chart.</li> </ul>
Condensation forms on viewing window.	<ul style="list-style-type: none"> <li>• Water vapor from food collects on window. When unit is cold, wipe a small amount of oil on inside of viewing window to prevent condensation buildup.</li> </ul>
Oil film buildup on oil pot.	<ul style="list-style-type: none"> <li>• Use plastic scouring pad to clean.</li> <li>• To clean oil residue from oil pot, use a household degreaser.</li> </ul>
Oil foams too much during frying.	<ul style="list-style-type: none"> <li>• Food contains too much liquid. Dry food thoroughly before placing it in fryer.</li> <li>• When frying food with a high moisture content (such as chicken or fries), change oil frequently.</li> <li>• Type of oil is not suitable for deep-frying food. Use good quality frying oil. Do not mix two different types of oil or fat.</li> <li>• Basket(s)/food immersed too quickly. Carefully raise basket(s) out of the oil.</li> <li>• The use of refrigerated oil may cause excessive splattering. Use room-temperature oil.</li> <li>• Oil pot has not been cleaned properly. See instructions in the "Cleaning Your Fryer" section.</li> </ul>

# Recipes

## Buttermilk Fried Chicken

1 (3 to 3 1/2 pound [1.4 to 1.6 kg]) whole chicken, cut into 8 pieces  
1 sprig fresh thyme  
2 cups (473 ml) buttermilk  
4 cups (946 ml) all-purpose flour  
2 teaspoons (10 ml) garlic powder  
2 teaspoons (10 ml) ground marjoram  
2 teaspoons (10 ml) salt  
2 teaspoons (10 ml) thyme leaves  
1 teaspoon (5 ml) black pepper  
1 teaspoon (5 ml) dried sage  
1 teaspoon (5 ml) paprika  
Vegetable oil for frying

### Directions

1. Place chicken and thyme in 13- x 9-inch (33 x 23 cm) glass baking dish. Pour buttermilk over chicken; stir until chicken is coated. Cover and refrigerate overnight.
2. Heat oil to 350°F (177°C) in deep fryer. Prepare a rack to drain the chicken by placing on a cookie sheet lined with paper towels; set aside.
3. In a large resealable plastic bag, combine flour, garlic powder, marjoram, salt, thyme, pepper, sage, and paprika.
4. Lift chicken from buttermilk, letting excess buttermilk drain back into the baking dish.
5. Add several pieces of chicken at a time to the bag of seasoned flour. Shake gently to coat.
6. Remove coated chicken; dip again in reserved buttermilk. Repeat shaking in flour mixture to get a thick coating.
7. Fry chicken until meat thermometer has reached 165°F (74°C) and coating is golden brown (about 15 minutes).
8. Raise basket(s) and rest to drain. Transfer chicken to rack to drain.
9. Repeat with remaining chicken pieces.

**Test Kitchen Tip:** Divide the seasoned flour mixture into 2 or 3 resealable plastic bags. The buttermilk can make the coating wet, so this way you will have a few bags of dry mixture to work with in order to coat all the chicken pieces thoroughly.

**Serves: 6–8**

# Recipes (cont.)

## Tempura Batter

1/2 cup (118 ml) all-purpose flour  
1/2 cup (118 ml) cornstarch  
1 teaspoon (5 ml) baking powder  
1/2 teaspoon (2.5 ml) sugar  
1/2 (2.5 ml) teaspoon salt  
2/3 cup (158 ml) ice water  
2 teaspoons (10 ml) vegetable oil  
2 egg yolks  
1 pound (454 g) peeled and deveined shrimp OR 2 heads broccoli flowerettes

### Directions

1. Heat oil to 375°F (191°C) in deep fryer.
2. Stir flour, cornstarch, baking powder, sugar, salt, water, oil, and egg yolks in large bowl until well blended. Add shrimp or broccoli and stir to coat.
3. Place basket(s) in deep fryer. With tongs, carefully place a few coated items into the preheated oil at a time. Fry until golden brown.
4. Raise basket(s) and rest to drain.
5. Remove food from basket(s) with wooden slotted spoon or tongs; place on paper towels.

**Serves: 4**

## Apple Fritters

2 cups (473 ml) all-purpose flour  
1/4 cup (59 ml) white sugar  
1 Tablespoon (15 ml) baking powder  
1/2 teaspoon (2.5 ml) ground nutmeg  
1/4 teaspoon (1.2 ml) cinnamon  
1 teaspoon (5 ml) salt  
2 eggs  
1 cup (237 ml) milk  
2 large apples, peeled, cored, and chopped  
1/2 cup (118 ml) powdered sugar for dusting

### Directions

1. In a medium bowl, mix together flour, sugar, baking powder, nutmeg, cinnamon, and salt.
2. In a separate bowl, beat together eggs and milk. Stir milk mixture into flour mixture until smooth. Fold in apples.
3. Heat oil to 375°F (191°C) in deep fryer.
4. Place basket(s) in deep fryer. Using a small scoop (about 2 Tablespoons [30 ml]), carefully drop about 6 fritters at a time into the preheated oil. Cook 3 to 4 minutes. Turn for even browning on both sides.
5. Raise basket(s) and rest to drain.
6. Drain on paper towels and dust with powdered sugar. Serve warm.

**Serves: 24**

# Recipes (cont.)

## **Fried Okra With Smokey Dipping Sauce**

### ***Smokey Dipping Sauce***

- 1/2 cup (118 ml) mayonnaise
- 1 Tablespoon (15 ml) ketchup
- 1 Tablespoon (15 ml) spicy brown mustard
- 1 teaspoon (5 ml) honey
- 1/4 teaspoon (1.2 ml) smoked paprika

### ***Okra Coating***

- Vegetable oil for frying
- 2 pounds (907 g) okra, tops cut off, halved lengthwise
- 2 large eggs, beaten
- 1 cup (237 ml) panko bread crumbs
- 1/2 cup (118 ml) all-purpose flour
- 1 teaspoon (5 ml) Cajun seasoning
- 1 teaspoon (5 ml) salt
- 1/2 teaspoon (2.5 ml) black pepper

### **Directions**

1. In small bowl, add mayonnaise, ketchup, spicy brown mustard, honey, and smoked paprika. Stir until blended. Cover and refrigerate until ready to serve.
2. Heat oil to 350°F (177°C) in deep fryer.
3. Place okra and eggs in large bowl; toss until okra is well coated.
4. In large resealable plastic bag, add panko bread crumbs, flour, Cajun seasoning, salt, and pepper. Seal bag and shake.
5. Add half of the okra to bag. Seal bag and shake until okra is well coated.
6. Place a single layer of okra in deep fryer basket(s). Lower basket(s) and cook for 4 minutes or until golden brown.
7. Raise basket(s) and rest to drain.
8. Drain on paper towels. Repeat with remaining okra.

**Serves: 6–8**

16

## **Hush Puppies**

- 1 cup (237 ml) buttermilk
- 1 large egg
- 1 small onion, finely chopped
- 1 2/3 cups (394 ml) self-rising cornmeal mix
- 1/2 cup (118 ml) all-purpose flour
- 1/4 cup (59 ml) sugar
- 1/2 teaspoon (2.5 ml) baking powder
- 1/2 teaspoon (2.5 ml) salt

### **Directions**

1. Heat oil to 350°F (177°C) in deep fryer.
2. Beat buttermilk, egg, and onion in large bowl until well blended.
3. Stir in cornmeal mix, flour, sugar, baking powder, and salt.
4. With basket(s) lowered, drop mixture by rounded Tablespoonfuls into oil.
5. Fry 4 to 6 minutes, turning once.
6. Raise basket(s) and rest to drain.
7. Drain on paper towels.

**Serves: 18–20**



# Notes

# Limited Warranty

This warranty applies to products purchased and used in the U.S. and Canada. This is the only express warranty for this product and is in lieu of any other warranty or condition.

This product is warranted to be free from defects in material and workmanship for a period of five (5) years from the date of original purchase in Canada and one (1) year from the date of original purchase in the U.S. During this period, your exclusive remedy is repair or replacement of this product or any component found to be defective, at our option; however, you are responsible for all costs associated with returning the product to us and our returning a product or component under this warranty to you. If the product or component is no longer available, we will replace with a similar one of equal or greater value.

This warranty does not cover glass, filters, wear from normal use, use not in conformity with the printed directions, or damage to the product resulting from accident, alteration, abuse, or misuse. This warranty extends only to the original consumer purchaser or gift recipient. Keep the original sales receipt, as proof of purchase is required to make a warranty claim. This warranty is void if the product is used for other than single-family household use or subjected to any voltage and waveform other than as specified on the rating label (e.g., 120V ~ 60 Hz).

We exclude all claims for special, incidental, and consequential damages caused by breach of express or implied warranty. All liability is limited to the amount of the purchase price. **Every implied warranty, including any statutory warranty or condition of merchantability or fitness for a particular purpose, is disclaimed except to the extent prohibited by law, in which case such warranty or condition is limited to the duration of this written warranty.** This warranty gives you specific legal rights. You may have other legal rights that vary depending on where you live. Some states or provinces do not allow limitations on implied warranties or special, incidental, or consequential damages, so the foregoing limitations may not apply to you.

To make a warranty claim, do not return this appliance to the store. Please call 1.800.851.8900 in the U.S. or 1.800.267.2826 in Canada or visit [hamiltonbeach.com](http://hamiltonbeach.com) in the U.S. or [hamiltonbeach.ca](http://hamiltonbeach.ca) in Canada. For faster service, locate the model, type, and series numbers on your appliance.

## PRÉCAUTIONS IMPORTANTES

Pour utiliser un appareil électroménager, vous devez toujours prendre des mesures élémentaires de sécurité pour réduire le risque d'incendie, d'électrocution et/ou de blessure corporelle, en particulier les mesures suivantes :

1. Lire toutes les instructions.
2. Cet appareil n'est pas destiné à être utilisé par des personnes (y compris les enfants) dont les capacités physiques, sensorielles ou mentales sont réduites, ou manquant d'expérience et de connaissance, sauf si elles sont étroitement surveillées et instruites sur l'utilisation de l'appareil par une personne responsable de leur sécurité.
3. Une surveillance étroite est requise pour tout appareil utilisé par ou près des enfants. Surveiller que les enfants ne jouent pas avec l'appareil.
4. Ne pas toucher aux surfaces chaudes. Utiliser les poignées ou les boutons.
5. Pour se protéger contre le risque de choc électrique, ne pas immerger le cordon, la fiche ou l'ensemble d'élément chauffage dans l'eau ou autre liquide.
6. Assurer que le manche soit bien assemblé au panier et fixé en place. Consulter les instructions détaillées de montage.
7. Débrancher la friteuse de la prise de murale lorsqu'elle n'est pas utilisée et avant le nettoyage. La laisser refroidir avant d'y ajouter ou d'y enlever des pièces ou de la nettoyer.
8. Ne pas faire fonctionner un appareil ménager avec une fiche ou un cordon endommagé(e) ou lorsque l'appareil ne fonctionne pas bien ou a été endommagé d'une manière quelconque. Appeler notre numéro sans frais de service à la clientèle pour des renseignements concernant l'examen, la réparation ou l'ajustement.
9. L'utilisation d'accessoires non recommandés ou non vendus par le fabricant d'appareil pour ce modèle peut causer des blessures.
10. Ne pas utiliser à l'extérieur.
11. Ne pas laisser le cordon pendre du bord d'une table ou d'un comptoir, ni toucher des surfaces chaudes.
12. Ne pas placer l'appareil sur ou près d'un brûleur à gaz ou électrique chaud ou dans un four chauffé.
13. Ne déplacer jamais la friteuse contenant de l'huile chaude.
14. Toujours brancher le cordon sur l'appareil d'abord, puis sur une prise de courant murale. Pour débrancher, mettre tous les contacts en position MIN et retirer la fiche de la prise murale.
15. Ne pas utiliser la friteuse à une fin autre que celle pour laquelle elle a été conçue.
16. Pour réduire le risque de blessure, NE PAS remplir d'huile au-dessus du repère de niveau maximal.
17. Toujours assurer que le pot à huile amovible soit rempli au moins au niveau minimum.
18. Ne jamais laisser la friteuse sans surveillance durant son utilisation.
19. Toujours sécher les aliments et enlever la glace avant de faire frire.
20. Toujours sécher complètement les éléments de la friteuse après les avoir lavés et avant de faire frire.
21. Toujours frire avec le couvercle en place.
22. Ne jamais utiliser d'huile réfrigérée.
23. Ne jamais bloquer l'évent sur le couvercle. Ayez conscience de la vapeur qui sort de l'évent.
24. Des émissions de vapeur peuvent entraîner des brûlures aux mains ou aux doigts. Faites bien attention quand vous ouvrez le couvercle.
25. Toujours soulever le panier et permettre aux aliments d'égoutter avant de retirer le couvercle ou le panier alimentaire.
26. Ne pas utiliser plus de 60 minutes sur une période de 2 heures.

## CONSERVER CES INSTRUCTIONS !

19

### **Autres renseignements de sécurité aux consommateurs**

**Cet appareil est conçu uniquement pour l'usage domestique.**

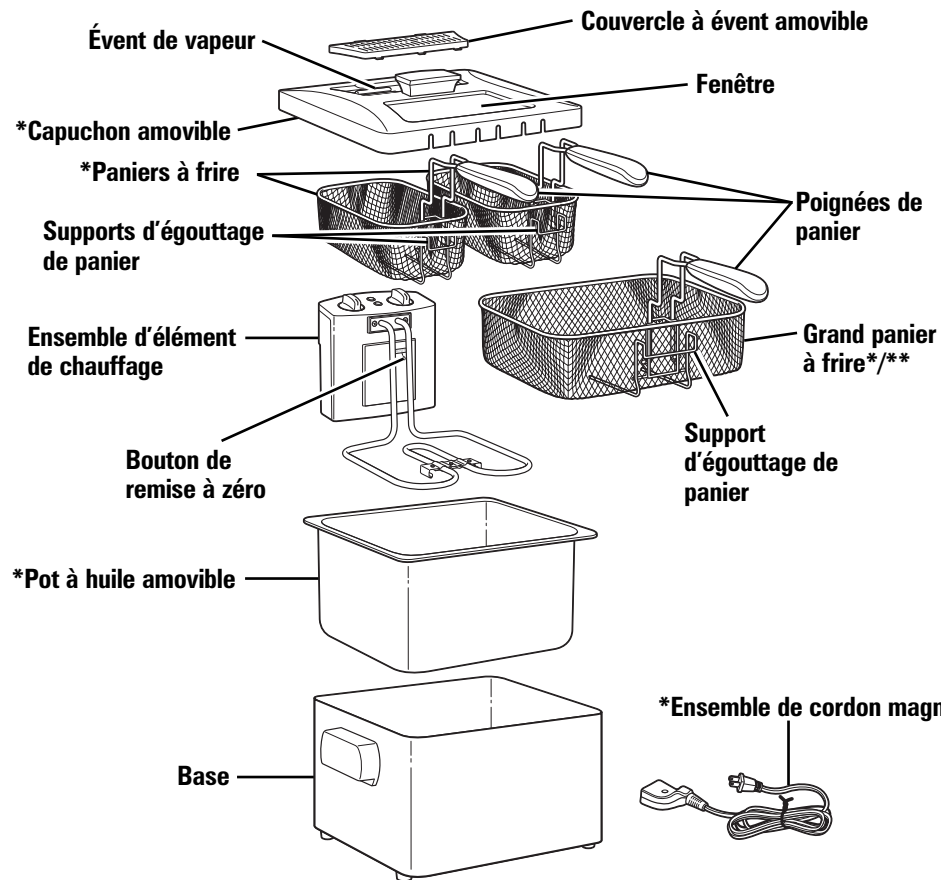
Cet appareil est conçu uniquement pour la préparation, la cuisson et servir des aliments. Cet appareil n'est pas conçu pour l'utilisation de matériaux ou produits non alimentaires.

**AVERTISSEMENT !** Risque d'électrocution : Cet appareil électroménager possède une fiche polarisée (une broche large) qui réduit le risque d'électrocution. Cette fiche n'entre que dans un seul sens dans une prise polarisée. Ne contrecarrez pas l'objectif sécuritaire de cette fiche en la modifiant de quelque manière que ce soit ou en utilisant un adaptateur. Si vous ne pouvez pas insérer complètement la fiche dans la prise, inversez la fiche. Si elle refuse toujours de s'insérer, faire remplacer la prise par un électricien.

**AVERTISSEMENT !** Danger de brûlure.

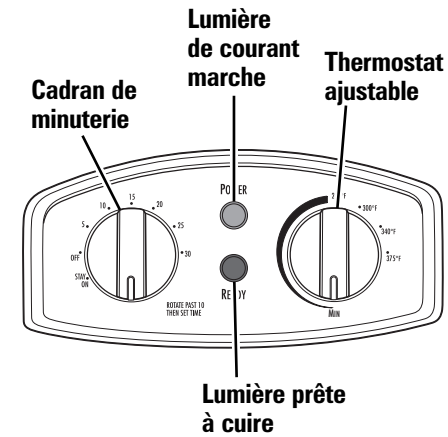
- De l'huile chaude renversée d'une bassine à friture tirée par mégarde du comptoir peut causer des brûlures sévères. Ne jamais laisser le cordon d'alimentation pendre par l'extrémité d'un comptoir. Il peut être saisi par un enfant et il peut se mêler pendant l'usage. Ne jamais utiliser avec une rallonge.
- Vous serez éclaboussé par du liquide chaud si vous manquez le support d'égouttage et laissez tomber accidentellement le panier à frire dans le liquide chaud. Ne vous penchez jamais sur la friteuse sans couvercle.

# Pièces et caractéristiques

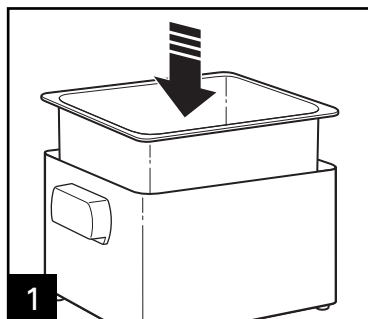


\*Pour commander des pièces :  
Canada : 1.800.267.2826

\*\*Accessoire en option  
sur certains modèles

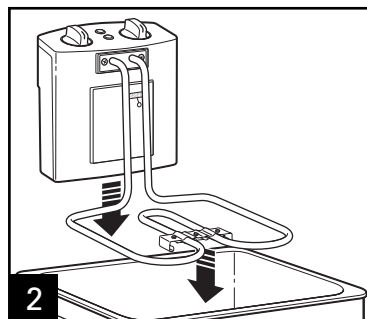


# Montage de la friteuse



1

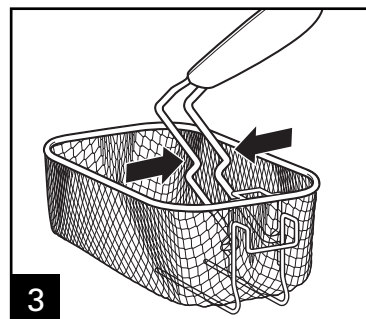
Placer la base sur une surface plate, stable. Mettre le pot à huile dans la base.



2

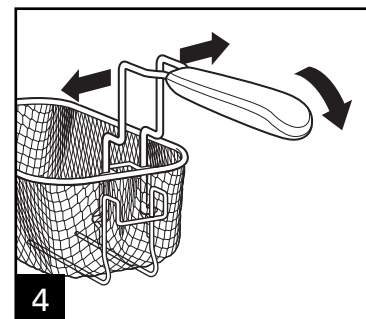
Aligner les rayures de l'ensemble d'élément de chauffage aux rayures de la base. Pousser vers le bas l'ensemble d'élément de chauffage pour le joindre à la base.

**REMARQUE :** Le chauffage ne peut pas être branché s'il est mal installé sur la base.



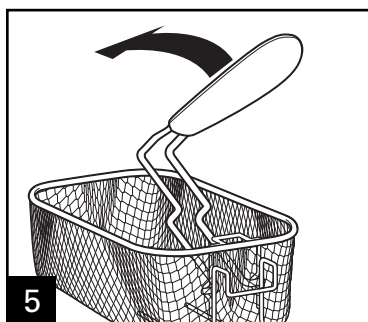
3

Pour assembler le manche, presser sur les dents du manche afin de les rassembler. Aligner les dents aux trous ronds du support en métal des paniers.



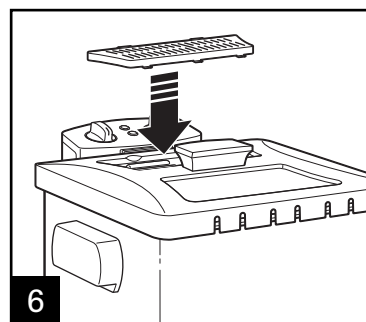
4

Relâcher les dents pour leur permettre de s'étendre et de se fixer au support en métal.



5

Pour le remisage : Pivoter la poignée dans le panier.

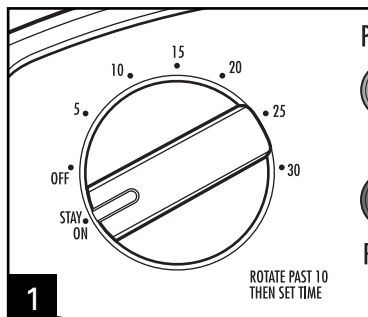


6

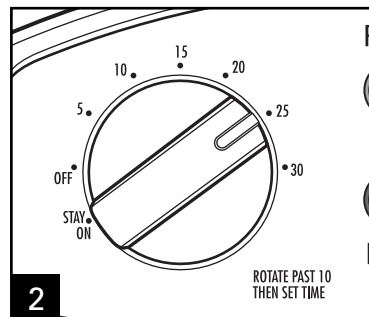
Aligner l'évent du couvercle à l'ensemble d'élément de chauffage. Le couvercle se fixe en place.

# Comment fonctionne la minuterie

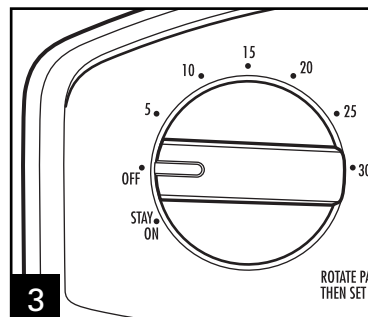
La minuterie de la friteuse compte à rebours. On peut la régler pour n'importe quel temps entre 1 et 30 minutes.



Pour régler la minuterie, tourner passé 10 minutes puis jusqu'à l'heure de friture désirée ou tourner la minuterie sur **STAY ON** (demeurer en marche).



Le compte à rebours commence presque aussitôt que vous cessez de tourner le cadran de minuterie.



La minuterie émet un bip lorsqu'elle atteint OFF (Arrêt) et la friteuse s'éteint automatiquement.

**REMARQUE** : Ne pas utiliser STAY ON (demeurer en marche) plus de 60 minutes sur une période de 2 heures.

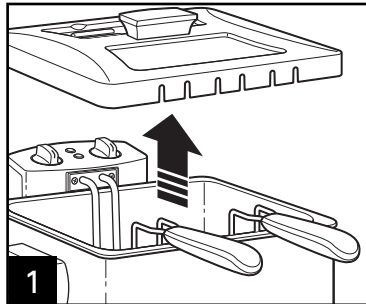
# Friture

## ⚠ AVERTISSEMENT Risque de brûlure.

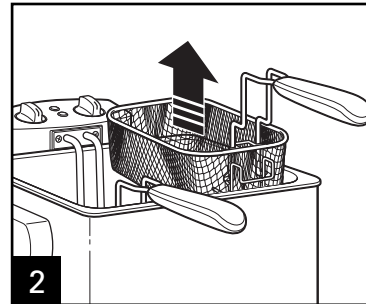
- Ne jamais remplir d'huile au-dessus du repère MAX.
- Ne jamais déplacer la friteuse durant son utilisation ou lorsqu'elle contient de l'huile chaude.
- Ne laisser jamais la friteuse sans surveillance quand elle fonctionne.
- Éliminer le plus possible l'humidité des aliments. Ne pas ajouter d'eau ou de glace dans l'huile.
- Des projections de vapeur peuvent occasionner des blessures à vos mains ou à vos doigts. Faites attention quand vous ouvrez le couvercle.

**AVANT LE PREMIER USAGE :** Nettoyer soigneusement la friteuse. Consulter la section « Nettoyage de votre friteuse ».

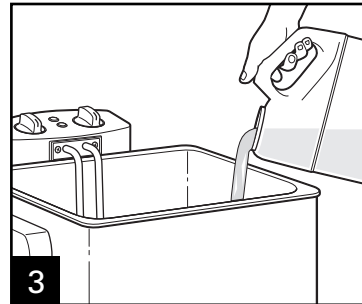
**REMARQUE :** Ne jamais faire fonctionner l'appareil sans huile dans le pot pour éviter de dépasser la limite de température et devoir réinitialiser l'appareil. Consulter le chapitre « Réinitialisation » pour obtenir les détails.



1 Placer la friteuse assemblée sur une surface stable, de niveau, résistante à la chaleur et hors de portée des enfants. Soulever l'ouverture du couvercle pour ouvrir.



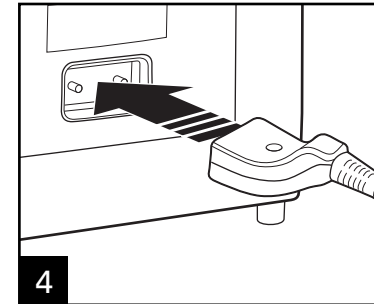
2 Retirer les paniers de la friteuse.



3 Remplir la friteuse avec environ 15 tasses (3,5 L) mais pas plus d'environ 19 tasses (4,5 L) d'huile jusqu'à la marque du haut sur le pot d'huile amovible.

S'assurer que le friteuse est réglée à MIN. Brancher l'extrémité magnétique du cordon d'alimentation dans la prise de la friteuse. Cette extrémité magnétique ne peut être branchée que d'une seule façon. Prendre soin de ne pas déloger la connexion magnétique lors du branchement dans une prise de courant.

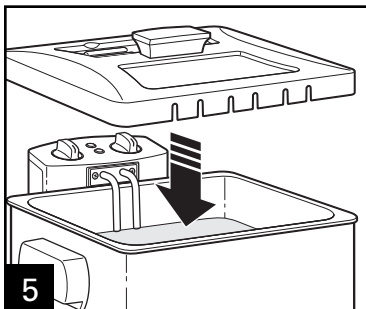
**REMARQUE :** La force magnétique est relativement faible de manière à ce que le cordon se détache s'il est tiré par inadvertance ; ce qui empêche la friteuse d'être tirée et de tomber du comptoir.



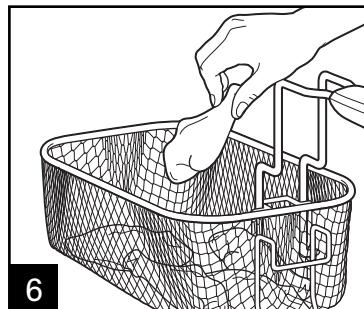


# Friture (suite)

**CONSEIL DE FRITURE :** Le témoin **READY** (prêt) peut s'éteindre après la friture d'un lot d'aliments. Il se rallumera une fois que l'huile aura atteint la température sélectionnée. La friteuse est alors prête à frire le lot d'aliments suivant.



Fermer le couvercle. Brancher l'appareil. Régler le thermostat au réglage désiré. Préchauffer la friteuse jusqu'à ce que le témoin **READY** (prêt) pour la cuisson s'allume (au bout de 10 à 15 minutes). Pour plus de renseignements au sujet de la sélection de la température, consulter l'emballage de l'aliment ou le Tableau de friture. Le témoin **READY** (prêt) s'allume dès que l'huile a atteint la température préétablie. Enlever le couvercle avant de commencer à frire.

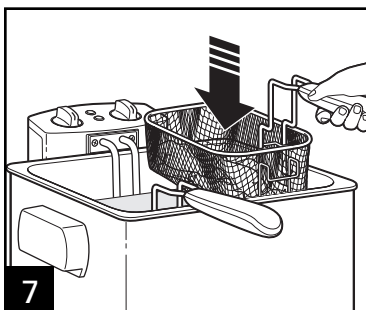


Déposer les aliments dans les paniers pour les faire frire.

**POUR FAIRE FRIRE UN ALIMENT NON ENROBÉ DE PÂTE :** Mettre l'aliment dans le panier et passer à l'étape 7.

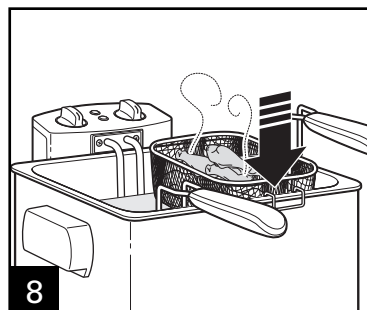
**POUR FAIRE FRIRE UN ALIMENT ENROBÉ DE PÂTE (comme la pâte de tempura) :** Pour abaisser le panier dans l'huile, puis mettre l'aliment avec précaution directement dans l'huile.

**REMARQUE :** Ne dépasser pas la quantité maximale d'aliments à frire dans un seul lot. Voir le Tableau de friture.



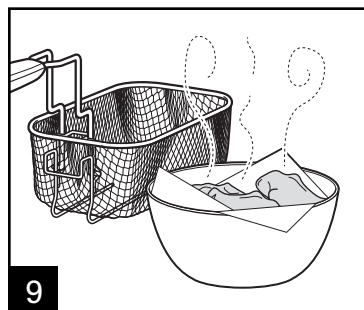
Mettre soigneusement les paniers dans la friteuse. Fermer le couvercle.

**REMARQUE :** Ne jamais faire fonctionner cet appareil sans huile dans le pot, car l'appareil surchauffera et nécessitera une réinitialisation de la température.



Quand vous avez terminé de frire, enlever le couvercle, soulever les paniers et accrocher sur le pot à huile amovible pour égoutter.

**REMARQUE :** Quand vous enlever le couvercle et quand le couvercle est enlevé, ne permettre pas de condensation couler dans le pot à huile.



Vider soigneusement les paniers en versant dans un bol, une passoire ou une plaque tapissée d'une serviette de papier. Remplir les paniers et répéter au besoin pour terminer la friture. Mettre le thermostat en position MIN et débrancher votre appareil après l'usage.

# Tableau de Friture

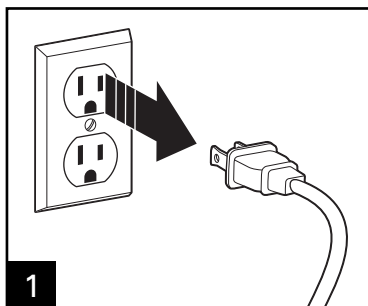
ALIMENTS CONGELÉS	TEMP. DE FRITURE	QUANTITÉ (pour petit panier, doubler les quantités pour le grand panier)	PANIER SIMPLE DURÉE	PANIER DOUBLE/ GRAND PANIER DURÉE	TEMP. INTERNE/ CUISSON SÉCURITAIRE
Bâtonnets au fromage	350 °F (177 °C)	8 oz (227 g)	1 1/2 à 2 1/2 minutes	1 1/2 à 2 1/2 minutes	Brunes et croustillantes
Pépites de poulet	375 °F (191 °C)	24 oz (680 g)	3 à 4 minutes	5 à 6 minutes	Brunes et croustillantes
Lanières de poulet	375 °F (191 °C)	20 oz (567 g)	6 à 7 minutes	8 à 9 minutes	Brunes et croustillantes
Filets de poulets	375 °F (191 °C)	22 oz (624 g)	5 à 6 minutes	8 à 9 minutes	Brunes et croustillantes
Ailes de poulet	375 °F (191 °C)	20 oz (567 g)	10 à 12 minutes	13 à 15 minutes	165 °F (73 °C), Brunes
Bâtonnets de poisson	350 °F (177 °C)	10 oz (283 g)	2 à 3 minutes	2 1/2 à 3 1/2 minutes	Brunes et croustillantes
Frites	375 °F (191 °C)	18 oz (510 g)	10 à 12 minutes	13 à 14 minutes	Brunes et croustillantes
Rondelles d'oignon	350 °F (177 °C)	16 oz (454 g)	1 1/2 à 2 1/2 minutes	2 1/2 à 3 1/2 minutes	Brunes et croustillantes
Crevette, papillon, chapelure	350 °F (177 °C)	18 oz (510 g)	3 à 4 minutes	3 à 4 minutes	Brunes et croustillantes
<b>ALIMENTS FRAIS</b>					
Brocoli, pâte à frire tempura	375 °F (191 °C)	8-10 pieces	1 à 2 minutes	1 à 2 minutes	Brun léger et crouillant
Ailes de poulet	375 °F (191 °C)	16 oz (454 g)	8 à 9 minutes	9 à 10 minutes	165 °F (73 °C), Brunes
Tortillas de maïs, en morceaux	375 °F (191 °C)	4 tortillas	1 à 2 minutes	1 à 2 minutes	Croustillantes
Frites	375 °F (191 °C)	16 oz (454 g)	7 à 9 minutes	12 à 14 minutes	Brunes et croustillantes
Pépites d'oignons frits	350 °F (177 °C)	8 pieces	4 à 6 minutes	4 à 6 minutes	Brun doré
Crevette, pâte à frire tempura	375 °F (191 °C)	8-10 pieces	2 à 2 1/2 minutes	2 à 2 1/2 minutes	Brun léger et crouillant

26

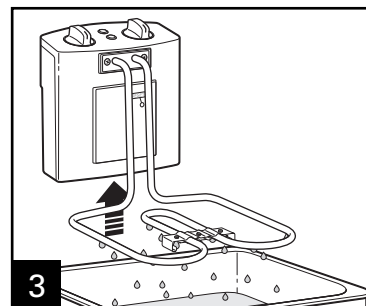
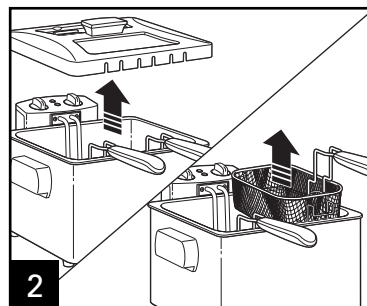
# Nettoyage de votre friteuse

## **⚠ AVERTISSEMENT** Risque de brûlure.

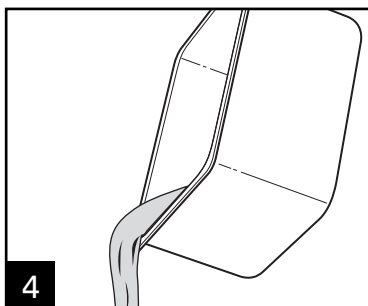
Pour éviter les éruptions et les projections d'huile chaude, assécher complètement toutes les composantes de la friteuse avant son utilisation.



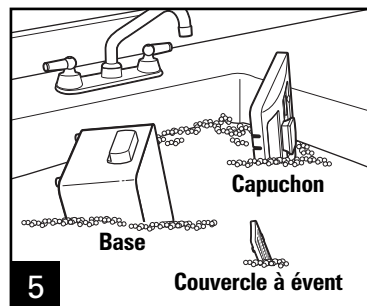
Débrancher de la prise murale. Attendre que l'huile se refroidisse. Cela peut prendre plusieurs heures. Enlever le couvercle. Enlever les paniers de la friteuse.



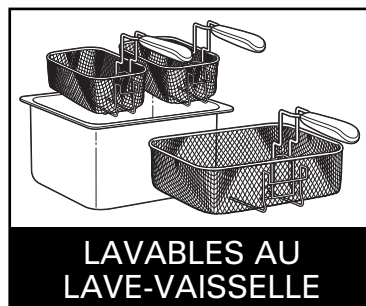
Soulever l'ensemble d'élément de chauffage de la base et laisser égoutter l'huile dans le pot à huile.



Soulever le pot à huile de la base et vider l'huile. Essuyer toute l'huile en excès ou la pellicule d'huile du pot à huile.



Nettoyer la base, le couvercle et le couvercle de l'évent dans de l'eau savonneuse chaude. Laisser-le sécher complètement. Poser le couvercle verticalement pour s'égoutter et laissez-le sécher complètement.



N'immerger jamais l'ensemble d'élément de chauffage dans l'eau.

**REMARQUE :** Pour éviter d'endommager la friteuse, nettoyer l'ensemble d'élément de chauffage avec soin. Essuyer doucement à l'aide d'un chiffon imbibé d'eau chaude savonneuse.

NE PAS utiliser le réglage "SANI" du lave-vaisselle. Les températures du cycle "SANI" peuvent endommager le produit.

# Conseils de friture

## **CHOIX ET REMPLACEMENT DE L'HUILE DE FRITURE :**

- Utiliser une huile végétale ou d'arachides de bonne qualité.
- La friture d'aliments dans le beurre, margarine, huile d'olive ou graisse animale est DÉCONSEILLÉE, car la température du point de fumage est trop basse.
- NE PAS mélanger deux types d'huile.
- Remplacer l'huile périodiquement pour maintenir une friture et une saveur de grande qualité.
- L'huile utilisée pour frire les frites et filtrée après chaque utilisation peut être réutilisée 10 à 12 fois avant son remplacement. L'huile utilisée avec des aliments riches en protéines (comme la viande ou le poisson) doit être remplacée plus souvent.
- Pour filtrer l'huile, permettre le refroidissement complet de celle-ci. L'huile peut être filtrée à l'aide d'une étamine ou une serviette de papier.
- Toujours suivre les instructions sur l'emballage.
- NE PAS ajouter d'huile fraîche ou usée.
- Toujours changer l'huile quand elle a une forte odeur ou un goût prononcé ou quand elle devient plus foncée ou sirupeuse.

## **AVANT DE FRIRE :**

- Eponger tout l'excès d'eau des aliments frais à l'aide d'une serviette de papier. L'excès d'eau ou de particules de glace peut provoquer des projections ou de la mousse.

## **CONSEILS UTILES :**

- NE PAS utiliser d'ustensiles en plastique dans l'huile chaude.
- Assaisonner les aliments APRÈS la cuisson.
- Réduire la quantité d'aliments du lot s'ils ne sont pas aussi croustillants que souhaité.

## **ÉLIMINATION DE L'HUILE :**

- Verser l'huile froide dans le contenant de plastique d'origine (refermable).

## **UTILISATION DU PANIER AVEC LES ALIMENTS EN PÂTE À FRIRE FRAÎCHE :**

- Les aliments en pâte à frire fraîche doivent être mis avec précaution directement dans l'huile chaude. Premièrement, abaisser entièrement le panier et placer chaque morceau pané avec précaution dans l'huile chaude. Utiliser le panier pour retirer les aliments panés frits.

## **RANGEMENT :**

- La poignée peut être dégagée et tournée dans le baquet. Placer le pot à huile dans la base puis placer le panier et le cordon d'alimentation dans le pot à huile.
- Il est préférable de stocker toutes les huiles au réfrigérateur ou dans un endroit frais, sombre et sec jusqu'à six mois.

## **CUISSON :**

- La durée de cuisson et la température peuvent varier selon la quantité et le poids.
- Pour de meilleurs résultats, faire frire une seule couche d'aliments à chaque lot.
- Le poulet congelé non cuit doit être dégelé puis débarrassé de son excès d'eau et épongé avec une serviette de papier avant la cuisson.
- Toujours suivre les instructions sur l'emballage.
- Lors de la cuisson de viande, poulet ou poisson, utiliser un thermomètre de cuisson pour déterminer les températures internes.
- Visiter les différents sites gouvernementaux pour plus d'information à propos des températures internes de cuisson.

## **SI VOUS HABITEZ DANS UNE RÉGION À HAUTE ALTITUDE :**

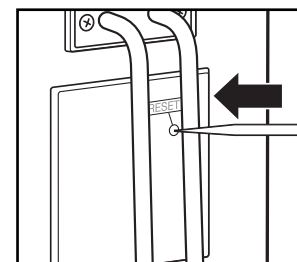
Veillez visiter le site <http://www.csrees.usda.gov/Extension/>.

# Dépannage

## RÉINITIALISATION :

Une réinitialisation de l'appareil peut être nécessaire si ce dernier ne chauffe pas ou ne se met pas sous tension.

1. S'assurer que le friteuse et l'huile sont froides.
2. Régler le selecteur de température à MIN.
3. Débrancher le cordon magnétique de la prise murale.
4. Retirer l'ensemble d'élément de chauffage et commandes amovible.
5. Appuyer sur le bouton RESET (réinitialisation) avec un objet pointu comme un cure-dent ou un petit tournevis.



## PROBLÈME

Les aliments frits n'ont pas une couleur brun doré et/ou ne sont pas croustillants.

La friteuse dégage une odeur forte, déplaisante.

## CAUSE PROBABLE/SOLUTION

- La température choisie est trop basse ou les aliments n'ont pas frit suffisamment longtemps. Vérifier le paquet ou le tableau de friture pour trouver la bonne température ou le bon temps de friture.
- Il y a trop de nourriture dans les paniers. Ne faites jamais frire trop d'aliments en même temps. Voir le paquet d'aliment, le tableau de friture ou la recette pour trouver la bonne durée. Les aliments sont peut-être trop épais pour bien frire.
- Le volume de l'huile est trop bas.
- L'huile n'est pas fraîche. Changer l'huile. Changer le filtre à huile régulièrement pour qu'il reste jeune.
- Quand vous faites frire des aliments qui ont une teneur de haute humidité (comme le poulet ou les frites), changer d'huile fréquemment.
- Le genre d'huile ne convient pas à la friture en profondeur d'aliments à frire entièrement. Utiliser de l'huile de friture de bonne qualité. Ne mélanger pas deux différentes catégories d'huile.

# Dépannage (suite)

PROBLÈME	CAUSE PROBABLE/SOLUTION
L'appareil ne chauffe pas.	<ul style="list-style-type: none"><li>• Assurez-vous que l'ensemble de cordon magnétique est bien attaché à la prise de la friteuse.</li><li>• Assurez-vous que l'ensemble de cordon électrique soit branché dans une prise électrique.</li><li>• L'ensemble d'éléments de chauffage n'est pas bien monté. Assurez-vous que l'ensemble d'éléments de chauffage est bien installé sur la base. Voir la section « Montage de la friteuse ».</li><li>• Appuyer sur le bouton de remise à zéro du panneau de contrôle de l'élément de chauffage en insérant un petit article pointu (comme un cure-dent) dans l'ouverture marquée RESET (remise à zéro). Assurez-vous que la friteuse a le montant recommandé d'huile dans le pot à huile.</li></ul>
Pendant la friture, l'huile déborde au-dessus de la friteuse.	<ul style="list-style-type: none"><li>• Il y a trop d'huile dans la friteuse. Assurez-vous que l'huile ne dépasse pas la marque de niveau maximum.</li><li>• Les paniers/la nourriture a été immergé trop rapidement. Soulever doucement les paniers en l'air.</li><li>• Les aliments contiennent trop de liquide. Faites sécher complètement les aliments avant de les mettre dans la friteuse. Suivre les instructions de la section « Friture ».</li><li>• Quand vous faites frire des aliments à haut degré d'humidité (comme le poulet ou les frites) changer souvent l'huile.</li><li>• Il y a trop d'aliments dans les paniers à friture. Ne faites pas frire en même temps plus d'aliments que les quantités indiquées sur l'emballage des aliments ou sur le tableau de friture.</li></ul>
Il se forme de la condensation sur la fenêtre.	<ul style="list-style-type: none"><li>• De la vapeur d'eau des aliments s'amasse sur la fenêtre. Quand votre appareil est froid, frotter un petit montant d'huile à l'intérieur de la fenêtre pour empêcher la condensation.</li></ul>

# Dépannage (suite)

## PROBLÈME

Une pellicule d'huile s'amasse sur le pot à huile.

L'huile mousse trop pendant la friture.

## CAUSE PROBABLE/SOLUTION

- Utiliser un tampon de récurage en matière plastique pour nettoyer.
- Pour nettoyer les résidus d'huile du pot à huile, utiliser un produit dégraissant ménager.
- Les aliments contiennent trop de liquide. Faites sécher complètement les aliments avant de les mettre dans la friteuse.
- Quand vous faites frire des aliments à haut degré d'humidité (comme le poulet ou les frites) changer souvent l'huile.
- La catégorie d'huile ne convient pas à la friture. Utiliser de l'huile de friture de bonne qualité. Ne mélanger jamais deux qualités d'huile ou de gras.
- Les paniers/la nourriture a été immergé trop rapidement. Soulever doucement les paniers en l'air.
- L'utilisation d'huile réfrigérée peut occasionner trop de projections. Utiliser de l'huile à température ambiante.
- Le pot d'huile n'a pas été bien nettoyé. Voir les instructions dans la section « Nettoyage de votre friteuse ».

# Recettes

## Poulet frit au babeurre

3 à 3 1/2 lb (1,4 à 1,6 kg) de poulet entier coupé en 8 morceaux

1 tige de thym frais

2 tasses (473 ml) de babeurre

4 tasses (946 ml) de farine tout usage

2 c. à thé (10 ml) de poudre d'ail

2 c. à thé (10 ml) de marjolaine moulue

2 c. à thé (10 ml) de sel

2 c. à thé (10 ml) de feuilles de thym

1 c. à thé (5 ml) de poivre noir

1 c. à thé (5 ml) de sauge séchée

1 c. à thé (5 ml) de paprika

Huile végétale pour la friture

### Instructions

1. Déposer le poulet et le thym dans un plat de cuisson en verre de 13 x 9 po (33 x 23 cm). Verser le babeurre sur le poulet. Mélanger pour enrober tout le poulet. Couvrir et mettre au réfrigérateur toute la nuit.
2. Chauffer l'huile à 350 °F (177 °C) dans la friteuse. Préparer une plaque tapissée de serviettes de papier pour égoutter le poulet et mettre de côté.
3. Dans un grand sac en plastique à glissière, combiner la farine, la poudre d'ail, la marjolaine, le sel, le thym, le poivre, la sauge et le paprika.
4. Retirer le poulet du babeurre et laisser égoutter l'excès de babeurre dans le plat de cuisson.
5. Mettre plusieurs morceaux de poulet à la fois dans le sac contenant la farine assaisonnée. Secouer doucement pour enrober.
6. Retirer le poulet enrobé et le remettre dans le babeurre réservé. Enrober à nouveau dans la farine assaisonnée pour obtenir une panure épaisse.
7. Frire le poulet jusqu'à ce que la température du thermomètre à viande atteigne 165 °F (74 °C) et que la panure ait une couleur brun doré (environ 15 min).
8. Relever les paniers et laisser égoutter. Transférer le poulet dans la plaque pour absorber l'excès d'huile.
9. Répéter avec les autres morceaux de poulet.

**Conseil :** Diviser le mélange de farine assaisonnée dans 2 ou 3 sacs de plastique à glissière. Le babeurre peut mouiller la panure. De cette façon, vous aurez quelques sacs de panure sèche afin de pouvoir enrober entièrement tous les morceaux de poulet.

**6 à 8 portions**



# Recettes (suite)

## **Pâte à frire tempura**

1/2 tasse (118 ml) de farine tout usage  
1/2 tasse (118 ml) de fécule de maïs  
1 c. à thé (5 ml) de levure chimique  
1/2 c. à thé (2,5 ml) de sucre  
1/2 c. à thé (2,5 ml) de sel  
2/3 tasse (158 ml) d'eau glacée  
2 c. à thé (10 ml) d'huile végétale  
2 jaunes d'œufs  
1 lb (454 g) de crevettes pelées et déveinées OU 2 têtes de brocoli coupées en fleurettes.

### Instructions

1. Chauffer l'huile à 375 °F (191 °C) dans la friteuse.
2. Dans un grand bol, bien mélanger la farine, la fécule de maïs, la levure chimique, le sucre, le sel, l'eau, l'huile et les jaunes d'œufs. Incorporer les crevettes ou le brocoli et mélanger pour enrober.
3. Mettre les paniers dans la friteuse. Avec des pinces, placer soigneusement quelques aliments enrobés, un à la fois, dans l'huile chaude. Frire jusqu'à ce que le tout soit d'une couleur brun doré.
4. Soulever les paniers et laisser égoutter.
5. Enlever les aliments des paniers avec une cuillère en bois avec fentes ou des pinces et déposer sur des serviettes de papier.

**4 portions**

## **Beignets aux pommes**

2 tasses (473 ml) de farine tout usage  
1/4 tasse (59 ml) de sucre blanc  
1 c. à table (15 ml) de levure chimique  
1/2 c. à thé (2,5 ml) de muscade moulue  
1/4 c. à thé (1,2 ml) de cannelle  
1 c. à thé (5 ml) de sel  
2 œufs  
1 tasse (237 ml) de lait  
2 grosses pommes, pelées, sans le cœur et hachées  
1/2 tasse (118 ml) de sucre en poudre pour saupoudrer

### Instructions

1. Dans un bol moyen, mélanger la farine, le sucre, la levure chimique, la muscade, la cannelle et le sel.
2. Dans un autre bol, battre les œufs et le lait. Verser le mélange de lait dans le mélange de farine et mélanger jusqu'à consistance lisse. Incorporer les pommes.
3. Chauffer l'huile à 375 °F (191 °C) dans la friteuse.
4. Mettre les paniers dans la friteuse. Avec une petite cuillère (environ 2 c. à table [30 ml]), déposer soigneusement environ 6 beignets à la fois dans l'huile chaude. Cuire 3 à 4 minutes. Retourner pour brunir les beignets sur les deux côtés.
5. Soulever les paniers et laisser égoutter.
6. Déposer sur des serviettes de papier et saupoudrer de sucre en poudre. Servir tiède.

**24 beignets**

# Recettes (suite)

## **Gombos frits avec trempette à saveur de fumée**

### ***Trempette à saveur de fumée***

- 1/2 tasse (118 ml) de mayonnaise
- 1 c. à table (15 ml) de ketchup
- 1 c. à table (15 ml) de moutarde brune épicée
- 1 c. à thé (5 ml) de miel
- 1/4 c. à thé (1,2 ml) de paprika fumé

### ***Panure pour gombos***

- Huile végétale pour la friture
- 2 lb (907 g) de gombos, sans tête et coupés sur la longueur
- 2 gros œufs, battus
- 1 tasse (237 ml) de miettes de pain panko
- 1/2 tasse (118 ml) de farine tout usage
- 1 c. à thé (5 ml) d'assaisonnement cajun
- 1 c. à thé (5 ml) de sel
- 1/2 c. à thé (2,5 ml) de poivre noir

### **Instructions**

1. Dans un petit bol, ajouter la mayonnaise, le ketchup, la moutarde brune épicée, le miel et le paprika fumé. Bien mélanger. Couvrir et mettre au réfrigérateur jusqu'au moment de servir.
2. Chauffer l'huile à 350 °F (177 °C) dans la friteuse.
3. Mettre les gombos et les œufs dans un grand bol et mélanger jusqu'à ce que les gombos soient bien enrobés.
4. Dans un grand sac de plastique à glissière, ajouter les miettes de pain panko, la farine, l'assaisonnement cajun, le sel et le poivre. Fermer le sac et secouer.
5. Ajouter la moitié des gombos dans le sac. Fermer le sac et secouer jusqu'à ce que les gombos soient bien enrobés.
6. Déposer les gombos en une seule couche dans les paniers de la friteuse. Abaisser les paniers et cuire pendant 4 minutes ou jusqu'à l'obtention d'une couleur brun doré.
7. Soulever les paniers et laisser égoutter.
8. Déposer sur des serviettes de papier. Répéter pour les autres gombos.

**6 à 8 portions**

34

## **Pépites d'oignons frits**

- 1 tasse (237 ml) de babeurre
- 1 gros œuf
- 1 petit oignon, haché finement
- 1 2/3 tasse (394 ml) de mélange de semoule de maïs avec levure
- 1/2 tasse (118 ml) de farine tout usage
- 1/4 tasse (59 ml) de sucre
- 1/2 c. à thé (2,5 ml) de levure chimique
- 1/2 c. à thé (2,5 ml) de sel

### **Instructions**

1. Chauffer l'huile à 350 °F (177 °C) dans la friteuse.
2. Bien mélanger le babeurre, l'œuf et l'oignon haché dans un grand bol.
3. Incorporer et mélanger le mélange de semoule de maïs, la farine, le sucre, la levure chimique et le sel.
4. Abaisser les paniers dans la friteuse et y déposer le mélange formé en boule à l'aide d'une cuillère à table dans l'huile.
5. Frire pendant 4 à 6 minutes en retournant une fois.
6. Soulever les paniers et laisser égoutter.
7. Déposer sur des serviettes de papier.

**18 à 20 portions**

# Notes

# Garantie limitée

Cette garantie s'applique aux produits achetés et utilisés aux É.-U. et au Canada. C'est la seule garantie expresse pour ce produit et est en lieu et place de tout autre garantie ou condition.

Ce produit est garanti contre tout défaut de matériaux et de main-d'oeuvre pour une période des cinq (5) ans à compter de la date d'achat d'origine au Canada et un (1) an à compter de la date d'achat d'origine aux É.-U. Au cours de cette période, votre seul recours est la réparation ou le remplacement de ce produit ou tout composant s'avérant défectueux, à notre gré, mais vous êtes responsable de tous les coûts liés à l'expédition du produit et le retour d'un produit ou d'un composant dans le cadre de cette garantie. Si le produit ou un composant n'est plus offert, nous le remplacerons par un produit similaire de valeur égale ou supérieure.

Cette garantie ne couvre pas le verre, les filtres, l'usure d'un usage normal, l'utilisation non conforme aux directives imprimées, ou des dommages au produit résultant d'un accident, modification, utilisation abusive ou incorrecte. Cette garantie s'applique seulement à l'acheteur original ou à la personne l'ayant reçu en cadeau. La présentation du reçu de vente d'origine comme preuve d'achat est nécessaire pour faire une réclamation au titre de cette garantie. Cette garantie s'annule si le produit est utilisé autrement que par une famille ou si l'appareil est soumis à toute tension ou forme d'onde différente des caractéristiques nominales précisées sur l'étiquette (par ex. : 120 V ~ 60 Hz).

Nous excluons toutes les réclamations au titre de cette garantie pour les dommages spéciaux, consécutifs et indirects causés par la violation de garantie expresse ou implicite. Toute responsabilité est limitée au prix d'achat. **Chaque garantie implicite, y compris toute garantie ou condition de qualité marchande ou d'adéquation à un usage particulier, est exonérée, sauf dans la mesure interdite par la loi, auquel cas la garantie ou condition est limitée à la durée de cette garantie écrite.** Cette garantie vous donne des droits légaux précis. Vous pouvez avoir d'autres droits qui varient selon l'endroit où vous habitez. Certaines provinces ne permettent pas les limitations sur les garanties implicites ou les dommages spéciaux ou indirects de telle sorte que les limitations ci-dessus ne s'appliquent peut-être pas à votre cas.

Ne pas retourner cet appareil au magasin lors d'une réclamation au titre de cette garantie. Téléphoner au 1.800.851.8900 aux É.-U. ou au 1.800.267.2826 au Canada ou visiter le site internet [www.hamiltonbeach.com](http://www.hamiltonbeach.com) aux É.-U. ou [www.hamiltonbeach.ca](http://www.hamiltonbeach.ca) au Canada. Pour un service plus rapide, trouvez le numéro de modèle, le type d'appareil et les numéros de série sur votre appareil.

## SALVAGUARDIAS IMPORTANTES

Cuando utilice artefactos eléctricos, siempre deben seguirse precauciones de seguridad básicas a fin de reducir el riesgo de incendio, descarga eléctrica, y/o lesiones a personas, incluyendo las siguientes:

1. Lea todas las instrucciones.
2. Este aparato no se destina para utilizarse por personas (incluyendo niños) cuyas capacidades físicas, sensoriales o mentales sean diferentes o estén reducidas, o carezcan de experiencia o conocimiento, a menos que dichas personas reciban una supervisión o capacitación para el funcionamiento del aparato por una persona responsable de su seguridad.
3. Se requiere de una estrecha supervisión cuando el aparato se use cerca de niños. Los niños deben supervisarse para asegurar que ellos no empleen los aparatos como juguete.
4. Verifique que el voltaje de su instalación corresponda con el del producto.
5. No toque superficies calientes. Use manijas o perillas.
6. Para protegerse contra riesgo de choque eléctrico, no sumerja el cable, los enchufes o el montaje de elemento calentador en agua ni en ningún otro líquido.
7. Asegúrese de que las manijas estén bien colocadas en la canasta y trabadas en su lugar. Ver las instrucciones de montaje detalladas.
8. Desenchúfelo del tomacorriente de pared cuando no lo esté usando y antes de la limpieza. Deje que se enfríe antes de colocar o quitar piezas y de limpiar el aparato.
9. No opere ningún aparato eléctrico si el cable o el enchufe están averiados, después de un mal funcionamiento del aparato, o si éste se ha averiado de alguna forma. Llame a nuestro número gratuito de servicio al cliente para obtener información sobre examinación, reparación o ajuste.
10. El uso de accesorios no recomendados o vendidos por el fabricante del artefacto para que sean usados con este modelo puede causar heridas.
11. No lo use al aire libre.
12. No deje colgar el cable sobre el borde de la mesa o mostrador, ni que toque superficies calientes.
13. No coloque el aparato sobre o cerca de un quemador a gas o eléctrico caliente, ni dentro de un horno caliente.
14. Nunca mueva la freidora que contenga aceite caliente.
15. Siempre conecte el enchufe al aparato primero y después conecte el cable en el tomacorriente de la pared. Para desenchufar, gire cualquier control a MIN y desconecte el enchufe del tomacorriente de pared.
16. No use el aparato eléctrico para ningún otro fin que no sea el indicado.
17. Para reducir el riesgo de lesiones, NO llene de aceite más allá de la marca de llenado máximo.
18. Siempre asegúrese de que el depósito de aceite removible se encuentre llena hasta por lo menos la marca MIN.
19. Nunca deje el aparato desatendido mientras lo esté usando.
20. Siempre seque los alimentos y retire el hielo antes de freírlos.
21. Siempre seque los componentes de la freidora cuidadosamente después de lavarlos y antes de freír.
22. Siempre fría los alimentos con la tapa en su lugar.
23. No utilice aceite refrigerado.
24. Nunca bloquee la ventilación de la tapa. Esté atento al vapor que surge de la ventilación.
25. El vapor que escapa puede provocar quemaduras a manos y dedos. Abra la tapa con cuidado.
26. Siempre eleve la canasta y permita que los alimentos se escurran.
27. No la utilice por más de 60 minutos en un período de 2 horas.

**¡GUARDE ESTAS INSTRUCCIONES!**

37

### **Otra Información para la Seguridad del Consumidor**

**Este aparato ha sido diseñado solamente para uso doméstico.**

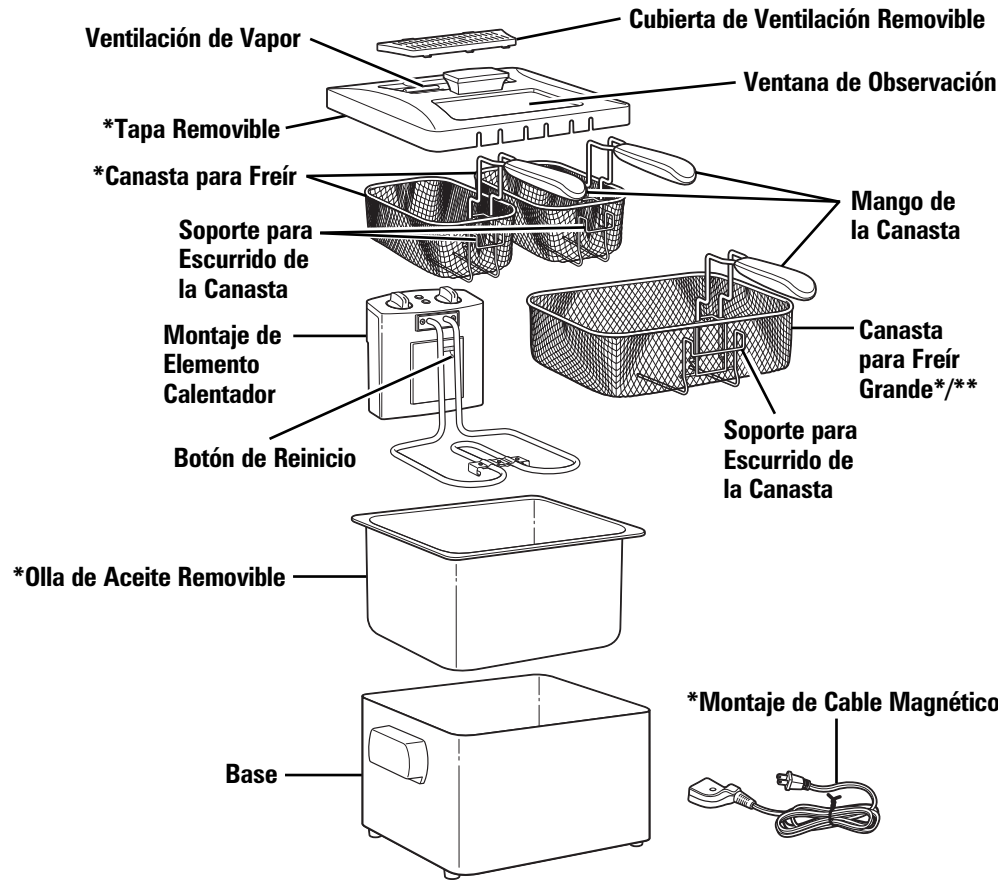
Este producto fue diseñado exclusivamente para la preparación, cocción y servicio de alimentos. Este producto no fue diseñado para ser utilizado con materiales o productos no alimenticios.

**¡ADVERTENCIA!** Peligro de Descarga Eléctrica: Este aparato cuenta con un enchufe polarizado (una pata más ancha) que reduce el riesgo de una descarga eléctrica. El enchufe embona únicamente en una dirección dentro de un tomacorriente polarizado. No trate de obviar el propósito de seguridad del enchufe modificándolo de alguna manera o utilizando un adaptador. Si el enchufe no entra completamente en la toma, invierta el enchufe. Si aún no entra, haga que un electricista reemplace la toma.

**¡ADVERTENCIA!** Peligro de Quemaduras.

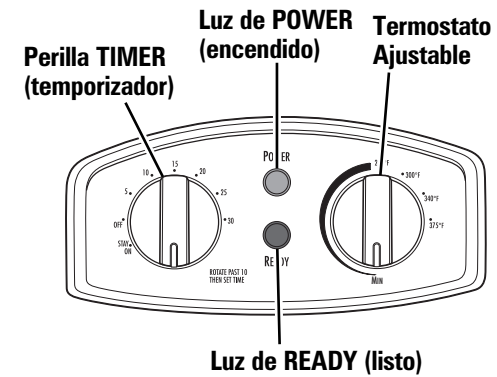
- Pueden provocarse quemaduras graves si se tira una freidora desde una mesada. No permita que el cable cuelgue por sobre la mesada; los niños podrían tirar de él o podrían engancharse con el mismo durante el uso. No lo utilice con un cable de extensión.
- El líquido caliente se salpicará si no cuenta con el soporte para escurrido y accidentalmente deja caer la canasta para freír en el líquido caliente. No se incline sobre la freidora cuando la tapa no se encuentre colocada.

# Piezas y Características

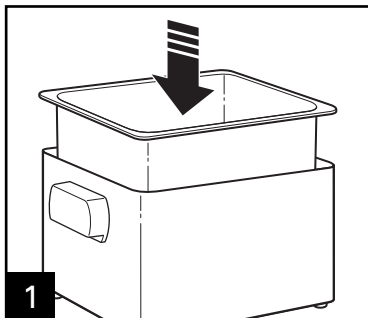


\*Para ordenar partes:  
EE. UU.: 1.800.851.8900  
www.hamiltonbeach.com  
México: 01 800 71 16 100

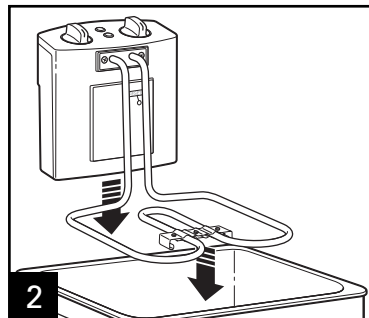
\*\*Accesorio opcional  
en modelos selectos



# Cómo Ensamblar la Freidora

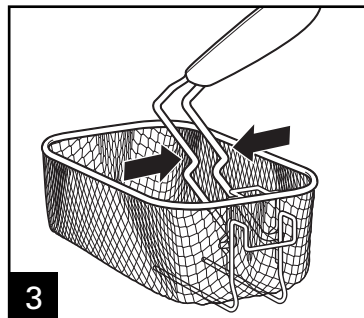


**1** Deposite la base en una superficie plana y estable. Coloque la olla de aceite dentro de la base.

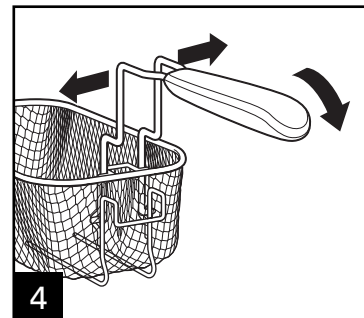


**2** Alinee las ranuras del montaje del elemento calentador con las ranuras de la base. Presione hacia abajo el montaje del elemento calentador para conectarlo con la base.

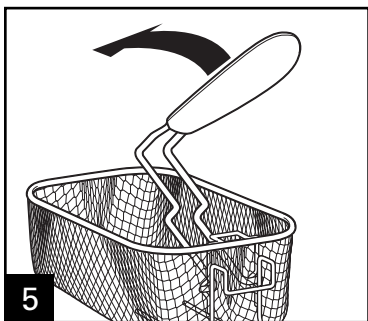
**NOTA:** El calentador no puede encenderse a menos que se encuentre instalado correctamente sobre la base.



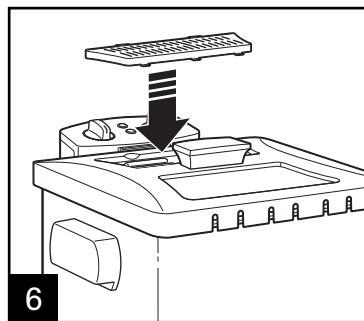
**3** Para ensamblar el mango, presione hacia adentro los dientes del mismo. Alinee los dientes con los orificios redondos del soporte metálico dentro de la(s) canasta(s).



**4** Libere los dientes para que se expandan y se ubiquen correctamente en el soporte de metal.



**5** Para almacenar: Gire la manija dentro de la(s) canasta(s).

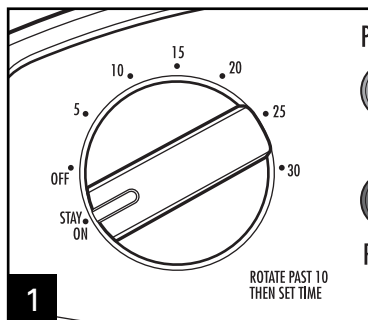


**6** Alinee la ventilación de la tapa hacia el montaje del elemento calentador. La tapa se ajusta a presión.

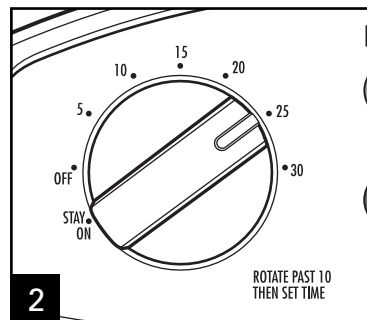


# Cómo Funciona el Temporizador

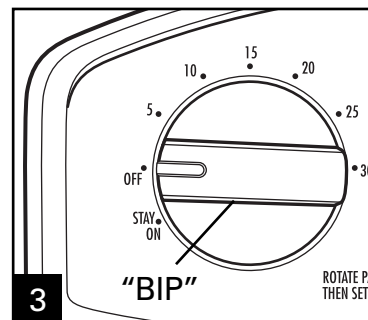
El temporizador de la freidora realiza un conteo regresivo. Puede programarse para cualquier período entre 1 y 30 minutos.



Para configurar el temporizador, gírelo pasando los 10 minutos y luego hasta el tiempo de cocción deseado o gire el temporizador a **STAY ON** (permanecer encendido).



El temporizador comenzará una cuenta regresiva del tiempo seleccionado después de que usted haya terminado de girar la perilla **TIMER** (temporizador).



El temporizador emitirá un pitido cuando llegue a OFF (apagado) y la freidora se apagará en forma automática.

**NOTA:** No utilice STAY ON (permanecer encendido) por más de 60 minutos en un período de 2 horas.

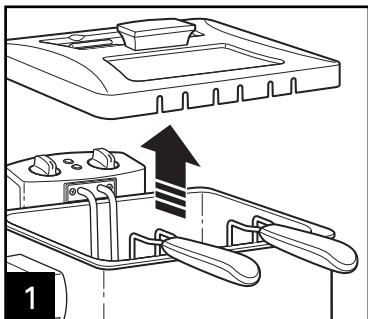
# Cómo Freír

## ⚠ **ADVERTENCIA** Peligro de Quemaduras.

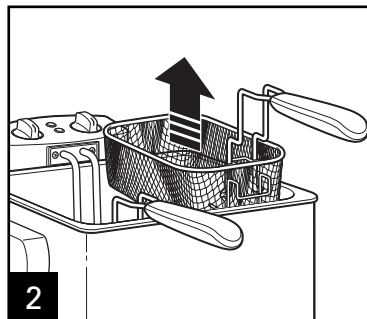
- Nunca llene con aceite más allá de la marca máxima de llenado "MAX".
- Nunca mueva la freidora mientras está en uso o cuando ésta contenga aceite caliente.
- Nunca deje la freidora sin supervisión mientras se encuentre en funcionamiento.
- Quite la mayor cantidad posible de humedad de los alimentos. No agregue agua o hielo al aceite.
- El vapor que sale puede provocar quemaduras en las manos o en los dedos. Abra la tapa con cuidado.

**ANTES DEL PRIMER USO:** Lave la freidora con detenimiento. Ver "Limpieza de su Freidora".

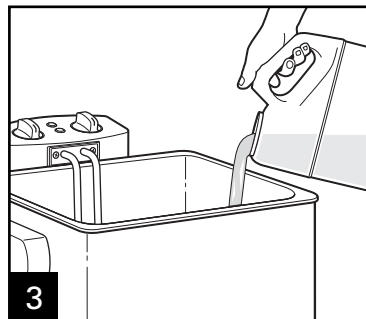
**NOTA:** Nunca utilice la unidad sin aceite en el depósito o la unidad superará el límite de temperatura y hará falta reiniciar la unidad. Ver la sección "Cómo Reiniciar" para más detalles.



**1** Coloque la freidora en una superficie estable, nivelada y resistente al calor que se encuentre fuera del alcance de los niños. Levante la tapa para abrir.



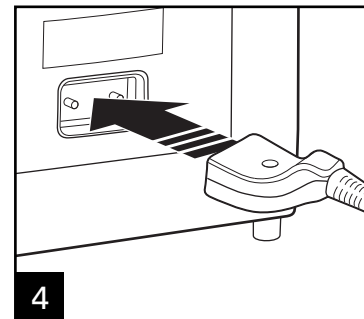
**2** Saque la(s) canasta(s) de la freidora.



**3** Llene la freidora con cerca de 15 tazas (3.5 L) y no más de aproximadamente 19 tazas (4.5 L) de aceite teniendo como referencia la marca indicadora ubicada en la olla de aceite removible.

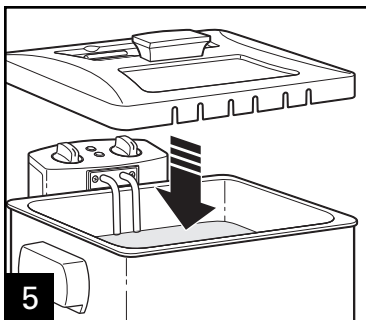
Verifique que la freidora se encuentre en MIN. Fije el ensamblaje del cable magnético al receptáculo de la freidora. El cable magnético solamente se fijará de una forma. Tenga cuidado de no interferir con la conexión magnética cuando enchufe el cable en un tomacorriente.

**NOTA:** La baja fuerza magnética permite que el cable "se desprenda", lo que evita que la unidad sea tirada accidentalmente desde la mesada.

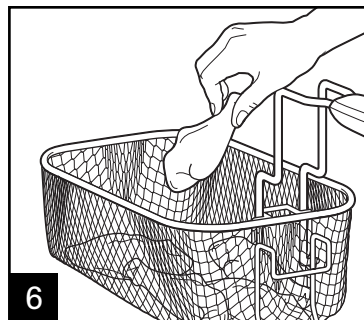


# Cómo Freír (cont.)

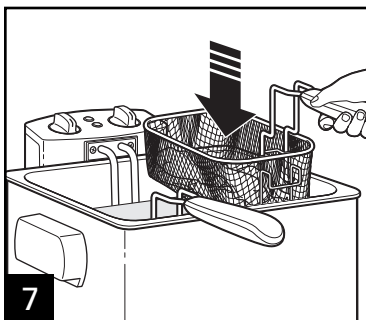
**CONSEJOS PARA FREÍR:** Es posible que la Luz de **READY** (listo) se apague después de freír una tanda de alimentos. Cuando el aceite haya alcanzado la temperatura seleccionada, volverá a encenderse la Luz de **READY** (listo). Ahora, la unidad estará lista para freír la próxima tanda de alimentos.



Cierre la tapa. Enchufe. Fije el termostato en el ajuste deseado. Precaliente la freidora hasta que se encienda la Luz de **READY** (listo) (10 a 15 minutos). Para obtener mayor información sobre selección de temperatura, revise el paquete del alimento o la Tabla de Freír. La Luz de **READY** (listo) se encenderá cuando el aceite alcance la temperatura preseleccionada. Quite la tapa antes de freír.

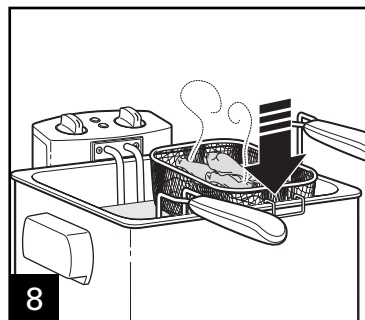


Para freír los alimentos, colóquelos en la(s) canasta(s).  
**Para freír comida sin masa,** coloque los alimentos en la canasta y continúe con el paso 7.  
**Para freír alimentos con masa, (como el tempura),** para bajar la canasta en el aceite, luego deje caer con cuidado los alimentos en el aceite.  
**NOTA:** No exceda la cantidad máxima de alimentos a freír en una tanda. Vea la Tabla de Freír.



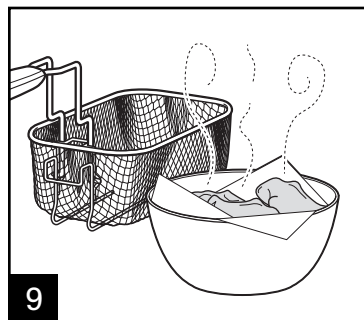
Coloque con cuidado la(s) canasta(s) dentro de la freidora. Cierre la tapa.

**NOTA:** Nunca haga funcionar la unidad sin aceite en la olla, de lo contrario la unidad excedería el límite de temperatura y necesitaría una restauración.



Cuando haya terminado de freír, retire la tapa, levante la(s) canasta(s) y engánchela sobre la olla de aceite removible para el escurrido.

**NOTA:** Cuando retire la tapa y mientras esté apagada, no permita que la condensación ingrese a la olla de aceite.



Con cuidado quite los alimentos de la(s) canasta(s) y colóquelos en un tazón, colador o bandeja recubierta con toallas de papel. Llene la(s) canasta(s) y repita la operación según sea necesario. Fije el termostato en MIN y desenchufe el aparato después del uso.

# Tabla de Freír

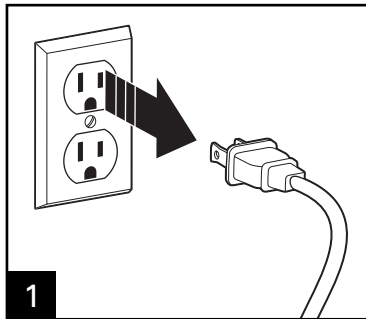
ALIMENTOS CONGELADOS	TEMP. PARA FREÍR	CANTIDAD (por canasta pequeña, doblar la cantidad para una canasta grande)	TIEMPO PARA CANASTA ÚNICA	TIEMPO PARA CANASTA DOBLE/CANASTA GRANDE	COCCIÓN/ TEMP. INTERNA
Palitos de Queso	350°F (177°C)	8 oz (227 g)	1 1/2 a 2 1/2 minutos	1 1/2 a 2 1/2 minutos	Dorados y crocantes
Nuggets de Pollo	375°F (191°C)	24 oz (680 g)	3 a 4 minutos	5 a 6 minutos	Dorados y crocantes
Tiritas de Pollo	375°F (191°C)	20 oz (567 g)	6 a 7 minutos	8 a 9 minutos	Dorados y crocantes
Frituras de Pollo	375°F (191°C)	22 oz (624 g)	5 a 6 minutos	8 a 9 minutos	Dorados y crocantes
Alitas de Pollo	375°F (191°C)	20 oz (567 g)	10 a 12 minutos	13 a 15 minutos	165°F (73°C), Dorados
Palitos de Pescado	350°F (177°C)	10 oz (283 g)	2 a 3 minutos	2 1/2 a 3 1/2 minutos	Dorados y crocantes
Papas Fritas	375°F (191°C)	18 oz (510 g)	10 a 12 minutos	13 a 14 minutos	Dorados y crocantes
Aros de Cebolla	350°F (177°C)	16 oz (454 g)	1 1/2 a 2 1/2 minutos	2 1/2 a 3 1/2 minutos	Dorados y crocantes
Langostinos, corte mariposa, empanados	350°F (177°C)	18 oz (510 g)	3 a 4 minutos	3 a 4 minutos	Dorados y crocantes
<b>ALIMENTOS FRESCOS</b>					
Brócoli, rebozados en tempura	375°F (191°C)	8-10 piezas	1 a 2 minutos	1 a 2 minutos	Dorados claros y crocantes
Alitas de Pollo	375°F (191°C)	16 oz (454 g)	8 a 9 minutos	9 a 10 minutos	165°F (73°C), Dorados
Tortillas de maíz, cortadas en trozos	375°F (191°C)	4 tortillas	1 a 2 minutos	1 a 2 minutos	Crocantes
Papas Fritas	375°F (191°C)	16 oz (454 g)	7 a 9 minutos	12 a 14 minutos	Dorados y crocantes
Croquetas de Maiz	350°F (177°C)	8 piezas	4 a 6 minutos	4 a 6 minutos	Doradas
Langostinos, rebozados en tempura	375°F (191°C)	8-10 piezas	2 a 2 1/2 minutos	2 a 2 1/2 minutos	Dorados claros y crocantes

44

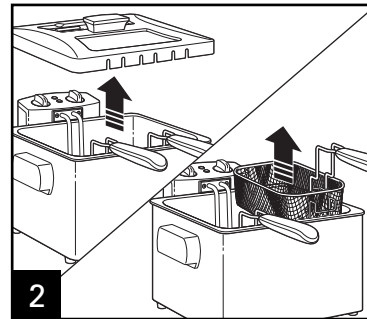
# Limpieza de su Freidora

## **⚠ ADVERTENCIA Peligro de Quemaduras.**

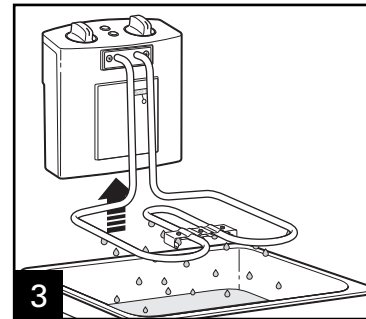
Para evitar erupciones y/o salpicaduras de aceite caliente, seque completamente todos los componentes de la freidora antes de utilizarla.



Desenchufe del tomacorriente. Espere hasta que el aceite se haya enfriado. Esto puede llevar varias horas.



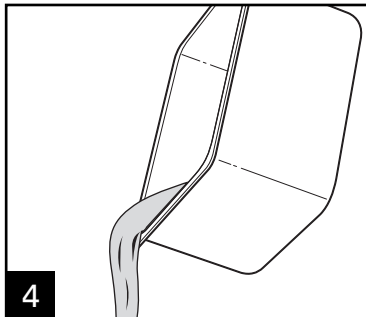
Retire la tapa y retire la(s) canasta(s) de la freidora.



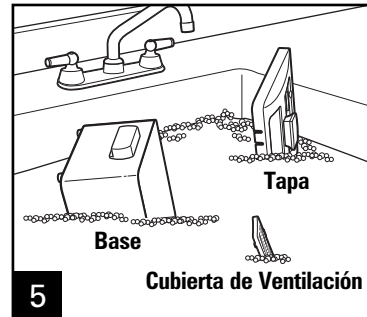
Levante el montaje del elemento calentador de la base y deje que el aceite escurra dentro del depósito de aceite.

No introduzca el montaje del elemento calentador en agua.

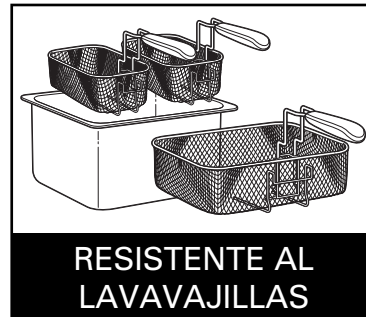
**NOTA:** Para evitar dañar la freidora, sea cuidadoso al limpiar el montaje del elemento calentador. Límpielo suavemente con un paño mojado con agua jabonosa caliente.



Levante la olla de aceite de la base y deseche el aceite. Limpie todo el exceso o película de aceite de la olla.



Limpie la base, la tapa, y la cubierta de la ventilación con agua jabonosa caliente. Seque cuidadosamente. Coloque la tapa de manera vertical para que se escurra y permita que se seque por completo.



No utilice la configuración "SANI" cuando la lave en el lavavajillas. Las temperaturas del ciclo "SANI" pueden dañar su producto.

# Consejos para la Freidora

## **CÓMO SELECCIONAR Y CAMBIAR EL ACEITE PARA FREÍR:**

- Utilice una buena cantidad de aceite vegetal o de maní.
- NO se recomienda freír los alimentos en manteca, margarina, aceite de oliva ni grasa animal por la baja temperatura del punto de humo.
- NO mezcle dos tipos de aceite.
- Cambie el aceite con frecuencia para mantener la calidad óptima en la fritura y el sabor.
- El aceite utilizado para las papas fritas se puede utilizar hasta 10 o 12 veces más antes de cambiarlo, siempre que se filtre el aceite después de cada uso. El aceite utilizado para alimentos altos en proteínas (tales como la carne o el pescado) debe cambiarse más frecuentemente.
- Para filtrar el aceite, deje que el aceite se enfríe completamente. Para colar el aceite se pueden utilizar toallas de papel o gasas como filtros.
- Siempre siga las instrucciones del envase.
- NO le agregue aceite nuevo al aceite usado.
- Cambie siempre el aceite cuando comience a espumar al calentarlo, cuando tuviese un sabor u olor fuerte o cuando se torne oscuro y/o espeso.

## **ANTES DE FREÍR:**

- Quite el exceso de agua de los alimentos frescos absorbiéndolos con toallas de papel. El exceso de agua o partículas de hielo pueden ocasionar salpicaduras o espuma en el aceite caliente.

## **CONSEJOS GENERALES:**

- NO utilice utensilios de plástico en el aceite caliente.
- Sazone los alimentos DESPUÉS de freírlos.
- Si los alimentos no estuvieran crocantes como se desea, reduzca el tamaño de la tanda.

## **CÓMO DESECHAR EL ACEITE:**

- Vierta el aceite frío dentro de su botella original (que vuelva a cerrar) de plástico vacía.

## **USO DE LA CANASTA PARA ALIMENTOS CON MASA FRESCA:**

- Los alimentos con masa fresca se deben ubicar cuidadosamente y de manera directa dentro del aceite. Primero, baje la canasta completamente y luego coloque cuidadosamente cada porción de alimento con masa dentro del aceite caliente. Utilice la canasta para sacar los alimentos con masa fritos.

## **ALMACENAMIENTO:**

- La manija de la canasta se puede desconectar y rotar hacia adentro de la canasta. Coloque el depósito del aceite en la base y luego la canasta y el cable eléctrico en el depósito del aceite.
- Es mejor guardar todos los aceites en el refrigerador o en un lugar frío, oscuro y seco por un período de hasta seis meses.

## **COCCIÓN:**

- El tiempo y la temperatura de cocción pueden variar dependiendo del tamaño y peso de la tanda.
- Para obtener los mejores resultados, cocine cada tanda con una capa única de alimentos.
- Al pollo crudo y congelado se lo debe descongelar, quitarle el exceso de agua y secarlo con toallas de papel antes de cocinarlo.
- Siempre siga las instrucciones del envase.
- Al cocinar carne vacuna, de ave o pescado, utilice el termómetro de cocina para determinar las temperaturas internas.
- Para obtener mayor información sobre las temperaturas seguras de cocción internas, visite [www.foodsafety.gov](http://www.foodsafety.gov).

## **SI USTED VIVE EN UNA ÁREA DE ALTITUD ELEVADA:**

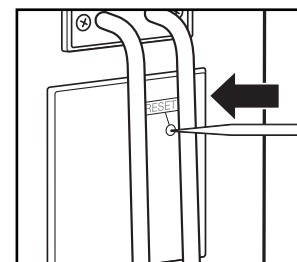
Visitar la siguiente página: <http://www.csrees.usda.gov/Extension/>.

# Resolviendo Problemas

## CÓMO REINICIAR:

Si su unidad no calienta o no se enciende, quizás deba reiniciarla.

1. Verifique que la freidora y el aceite se encuentren fríos.
2. Gire el control de la temperatura a MIN.
3. Desenchufe el cable magnético del tomacorriente de pared.
4. Quite el panel de control removible y el elemento calentador.
5. Utilice un objeto fino acabado en punta, como una brocheta de madera o un destornillador fino, para presionar el botón RESET (reiniciar).



## PROBLEMA

Los alimentos fritos no tienen un color dorado y/o no están crocantes.

La freidora emite un olor fuerte y desagradable.

## CAUSA PROBABLE/SOLUCIÓN

- La temperatura seleccionada es muy baja o los alimentos no se han frito el tiempo suficiente. Consulte las instrucciones del paquete de alimentos o la Tabla de Freír para la temperatura o tiempos de preparación correctos.
- Hay demasiados alimentos en la(s) canasta(s). Nunca fría demasiada comida de una sola vez. Consulte las instrucciones del paquete de los alimentos, la Tabla de Freír o la receta para obtener las cantidades correctas. Las piezas de comida pueden ser demasiado gruesas para freírse de manera adecuada.
- El volumen del aceite es muy bajo.
- El aceite no está fresco. Cámbielo. Filtre el aceite de manera regular para mantenerlo fresco durante más tiempo.
- Cuando fría alimentos con un contenido de humedad muy alto (como pollo o papas) cambie el aceite con frecuencia.
- El tipo de aceite no es el adecuado para freír alimentos. Utilice aceite para freír de buena calidad. No mezcle dos tipos diferentes de aceite.

# Resolviendo Problemas (cont.)

<b>PROBLEMA</b>	<b>CAUSA PROBABLE/SOLUCIÓN</b>
La unidad no calienta.	<ul style="list-style-type: none"><li>• Asegúrese de que el cable magnético se encuentre fijado correctamente al toma de la freidora.</li><li>• Asegúrese de que el cable eléctrico se encuentre enchufado al tomacorriente.</li><li>• El montaje del elemento calentador no está ensamblado correctamente. Asegúrese de que esté bien instalado sobre la base. Ver la sección "Cómo Ensamblar la Freidora".</li><li>• Presione Reset en el elemento calentador / panel de control introduciendo un elemento con punta (como una brocheta de madera) en el orificio con el nombre de RESET. Verifique que la freidora contiene la cantidad recomendada de aceite dentro de la olla.</li></ul>
Durante el funcionamiento, el aceite se derrama por encima del borde de la freidora.	<ul style="list-style-type: none"><li>• Hay demasiado aceite en la freidora. Asegúrese de que el aceite no supera el límite máximo.</li><li>• Se han colocado la(s) canasta(s) o los alimentos demasiado rápido. Eleve la(s) canasta(s) con cuidado.</li><li>• La comida contiene demasiado líquido. Seque los alimentos con detenimiento antes de colocarlos en la freidora. Siga las instrucciones de la sección "Cómo Freír".</li><li>• Cuando deba freír alimentos con una cantidad elevada de humedad (como pollo o papas) cambie el aceite con frecuencia.</li><li>• Hay demasiada comida en la(s) canasta(s). No fría más alimentos en una tanda que las cantidades indicadas en el paquete o en la Tabla de Freír.</li></ul>
Se forma condensación en la ventana de observación.	<ul style="list-style-type: none"><li>• Se concentra en la ventana vapor de agua proveniente de los alimentos. Cuando la unidad esté fría, pase una pequeña cantidad de aceite sobre la parte interna de la ventana para prevenir la acumulación de condensación.</li></ul>



# Resolviendo Problemas (cont.)

<b>PROBLEMA</b>	<b>CAUSA PROBABLE/SOLUCIÓN</b>
Acumulación de una película de aceite en la olla de aceite.	<ul style="list-style-type: none"><li>• Utilice una esponjilla para limpiar.</li><li>• Para limpiar restos de aceite de una olla de aceite, use un desengrasante de uso doméstico.</li></ul>
El aceite hace demasiada espuma durante la cocción.	<ul style="list-style-type: none"><li>• Los alimentos contienen demasiado líquido. Séquelos con detenimiento antes de colocarlos en la freidora.</li><li>• Cuando deba freír alimentos con un alto contenido de humedad (como pollo o papas) cambie el aceite con frecuencia.</li><li>• El tipo de aceite no es el adecuado para freír alimentos. Utilice aceite para freír de buena calidad. No mezcle dos tipos diferentes de aceite o grasa.</li><li>• Colocó la(s) canasta(s) o los alimentos demasiado rápido. Eleve la(s) canasta(s) con cuidado.</li><li>• El uso de aceite refrigerado puede provocar salpicaduras excesivas. Utilice aceite a temperatura ambiente.</li><li>• La olla de aceite no se ha limpiado correctamente. Ver instrucciones en la sección de "Limpieza de su Freidora".</li></ul>

# Recetas

## Pollo frito al suero de leche

1 pollo entero (3 a 3 1/2 libras [1.4 a 1.6 kg]) cortado en 8 trozos  
1 ramita de tomillo fresco  
2 tazas (473 ml) de suero de leche  
4 tazas (946 ml) de harina común  
2 cucharaditas (10 ml) de ajo en polvo  
2 cucharaditas (10 ml) de mejorana picada  
2 cucharaditas (10 ml) de sal  
2 cucharaditas (10 ml) de hojas de tomillo  
1 cucharadita (5 ml) de pimienta negra  
1 cucharadita (5 ml) de salvia deshidratada  
1 cucharadita (5 ml) de p  prika  
Aceite vegetal para fre  r

### Instrucciones

1. Coloque el pollo y el tomillo en un recipiente para hornear de vidrio de 13 x 9 pulgadas (33 x 23 cm). Vierta el suero de leche sobre el pollo; mezcle hasta que el pollo quede bien cubierto. Cubra y refrigere durante la noche.
2. Caliente el aceite a 350  F (177  C) en la freidora. Prepare una rejilla para secar el pollo coloc  ndola sobre una bandeja para galletas recubierta con toallas de papel; separe.
3. En una bolsa pl  stica grande resellable, mezcle la harina, el ajo en polvo, la mejorana, la sal, el tomillo, la pimienta, la salvia y la p  prika.
4. Quite el pollo del suero de leche, permitiendo que el exceso de suero gotee en el recipiente para hornear.
5. Agregue varios trozos de pollo por vez dentro de la bolsa de harina condimentada. Sacuda suavemente para rebozar el pollo.
6. Quite el pollo rebozado; sumerja de nuevo en el suero de leche. Vuelva a sacudir en la mezcla de harina para obtener una cubierta gruesa.
7. Fr  a el pollo hasta que el term  metro de carne haya alcanzado los 165  F (74  C) y la cubierta est   dorada (alrededor de 15 minutos).
8. Levante la(s) canasta(s) y deje escurrir. Pase el pollo a la rejilla para seguir escurriendo.
9. Repita el proceso con los trozos de pollo restantes.

**Consejo de Cocina:** Divida la mezcla de harina condimentada en 2 o 3 bolsas pl  sticas resellables. El suero de leche puede humedecer el recubrimiento; de este modo usted tendr   m  s bolsas de mezcla seca para trabajar para as   poder rebozar bien todos los trozos.

**Rendimiento:** 6-8

# Recetas (cont.)

## Masa de Tempura

1/2 taza (118 ml) de harina común  
1/2 taza (118 ml) de almidón de maíz  
1 cucharadita (5 ml) de polvo para hornear  
1/2 cucharadita (2.5 ml) de azúcar  
1/2 cucharadita (2.5 ml) de sal  
2/3 taza (158 ml) de agua fría  
2 cucharaditas (10 ml) de aceite vegetal  
2 yemas de huevo  
1 libra (454 g) de langostinos pelados y sin vaina O 2 cabezas de flores de brócoli

### Instrucciones

1. Caliente el aceite a 375°F (191°C) en la freidora.
2. Mezcle la harina, el almidón de maíz, el polvo para hornear, el azúcar, la sal, el agua, el aceite y las yemas de huevo en un tazón grande hasta que quede homogéneo. Agregue los langostinos o el brócoli y mezcle para recubrir.
3. Coloque la(s) canasta(s) en la freidora. Utilizando pinzas, coloque con cuidado varias piezas por vez dentro del aceite precalentado. Fría hasta que queden doradas.
4. Levante la canasta y deje escurrir.
5. Quite los alimentos de la canasta con una cuchara de madera con orificios o pinzas; colóquelos sobre toallas de papel.

**Rendimiento: 4**

## Buñuelos de Manzana

2 tazas (473 ml) de harina común  
1/4 taza (59 ml) de azúcar blanca  
1 cucharada (15 ml) de polvo para hornear  
1/2 cucharadita (2.5 ml) de nuez moscada molida  
1/4 cucharadita (1.2 ml) de canela  
1 cucharadita (5 ml) de sal  
2 huevos  
1 taza (237 ml) de leche  
2 manzanas grandes peladas, sin cabito y picadas  
1/2 taza (118 ml) de azúcar impalpable para espolvorear

### Instrucciones

1. En un tazón mediano, mezcle la harina, el azúcar, el polvo para hornear, la nuez moscada, la canela y la sal.
2. En un tazón diferente, bata los huevos y la leche. Vierta la mezcla de leche en la mezcla de harina hasta que quede homogéneo. Incorpore las manzanas.
3. Caliente el aceite a 375°F (191°C) en la freidora.
4. Coloque la(s) canasta(s) en la freidora. Utilizando una cuchara pequeña (alrededor de 2 cucharaditas [30 ml]), con cuidado coloque 6 buñuelos por vez dentro del aceite precalentado. Cocine de 3 a 4 minutos. Dé vuelta para lograr una cocción pareja en ambos lados.
5. Levante la(s) canasta(s) y deje escurrir.
6. Deje escurrir sobre toallas de papel y espolvoree con azúcar impalpable. Sírvalos calientes.

**Rendimiento: 24**

# Recetas (cont.)

## Quingombó Frito con Salsa Ahumada

### **Salsa ahumada**

- 1/2 taza (118 ml) de mayonesa
- 1 cucharada (15 ml) de ketchup
- 1 cucharada (15 ml) de mostaza picante
- 1 cucharadita (5 ml) de miel
- 1/4 cucharadita (1.2 ml) de páprika ahumada

### **Rebozado de quingombó**

- Aceite vegetal para freír
- 2 libras (907 g) de quingombó, sin la parte superior y cortados a lo largo en mitades
- 2 huevos batidos grandes
- 1 taza (237 ml) de pan rallado panko
- 1/2 taza (118 ml) de harina común
- 1 cucharadita (5 ml) de condimento Cajun
- 1 cucharadita (5 ml) de sal
- 1/2 cucharadita (2.5 ml) de pimienta negra

### Instrucciones

1. En un tazón pequeño, coloque la mayonesa, el ketchup, la mostaza picante, la miel y la páprika ahumada. Revuelva hasta mezclar bien. Cubra y refrigere hasta servir.
2. Caliente el aceite a 350°F (177°C) en la freidora.
3. Coloque el quingombó y los huevos en un tazón grande; mezcle hasta que el quingombó quede bien cubierto.
4. En una bolsa plástica resellable, agregue el pan rallado panko, la harina, el condimento Cajun, la sal y la pimienta. Cierre la bolsa y sacúdala.
5. Coloque la mitad del quingombó en la bolsa. Cierre la bolsa y sacúdala hasta que el quingombó quede bien cubierto.
6. Coloque una sola capa de quingombó en la canasta de la freidora. Baje la canasta y cocine por 4 minutos o hasta que queden dorados.
7. Levante la(s) canasta(s) y deje escurrir.
8. Seque sobre toallas de papel. Repita la acción con el quingombó restante.

**Rendimiento: 6–8**

52

## Croquetas de Maíz (“Hush Puppies”)

- 1 taza (237 ml) de suero de leche
- 1 huevo grande
- 1 cebolla pequeña picada fina
- 1 2/3 taza (394 ml) de mezcla de harina de maíz amarillo leudante
- 1/2 taza (118 ml) de harina común
- 1/4 taza (59 ml) de azúcar
- 1/2 cucharadita (2.5 ml) de polvo para hornear
- 1/2 cucharadita (2.5 ml) de sal

### Instrucciones

1. Caliente el aceite a 350°F (177°C) en la freidora.
2. Bata el suero de leche, el huevo y la cebolla en un tazón grande hasta mezclar bien.
3. Incorpore la mezcla de harina de maíz amarillo, la harina, el azúcar, el polvo para hornear y la sal.
4. Con la(s) canasta(s) en la posición baja, incorpore la mezcla en cucharadas llenas dentro del aceite.
5. Fría de 4 a 6 minutos, girándolos una vez.
6. Levante la(s) canasta(s) y deje escurrir.
7. Seque sobre toallas de papel.

**Rendimiento: 18–20**

# Notas



Grupo HB PS, S.A. de C.V.  
Monte Elbruz 124-301  
Colonia Palmitas, Delegación Miguel Hidalgo  
C.P. 11560, México, Distrito Federal  
01 800 71 16 100

### PÓLIZA DE GARANTÍA

PRODUCTO:	MARCA:		MODELO:
Grupo HB PS, S.A. de C.V. cuenta con una Red de Centros de Servicio Autorizada, por favor consulte en la lista anexa el nombre y dirección de los establecimientos en la República Mexicana en donde usted podrá hacer efectiva la garantía, obtener partes, componentes, consumibles y accesorios; así como también obtener servicio para productos fuera de garantía. Para mayor información llame sin costo: <b>Centro de Atención al consumidor: 01 800 71 16 100</b>			
Grupo HB PS, S.A. de C.V. le otorga a partir de la fecha de compra: <b>GARANTÍA DE 1 AÑO.</b>			
<b>COBERTURA</b>			
<ul style="list-style-type: none"><li>• Esta garantía ampara, todas las piezas y componentes del producto que resulten con defecto de fabricación incluyendo la mano de obra.</li><li>• Grupo HB PS, S.A. de C.V. se obliga a reemplazar, reparar o reponer, cualquier pieza o componente defectuoso; proporcionar la mano de obra necesaria para su diagnóstico y reparación, todo lo anterior sin costo adicional para el consumidor.</li><li>• Esta garantía incluye los gastos de transportación del producto que deriven de su cumplimiento dentro de su red de servicio.</li></ul>			
<b>LIMITACIONES</b>			
<ul style="list-style-type: none"><li>• Esta garantía no ampara el reemplazo de piezas deterioradas por uso o por desgaste normal, como son: cuchillas, vasos, jarras, filtros, etc.</li><li>• Grupo HB PS, S.A. de C.V. no se hace responsable por los accidentes producidos a consecuencia de una instalación eléctrica defectuosa, ausencia de toma de tierra, clavija de enchufe en mal estado, etc.</li></ul>			
<b>EXCEPCIONES</b>			
Esta garantía no será efectiva en los siguientes casos: <ul style="list-style-type: none"><li>a) Cuando el producto se hubiese utilizado en condiciones distintas a las normales. (Uso industrial, semi-industrial o comercial.)</li><li>b) Cuando el producto no hubiese sido operado de acuerdo con el instructivo de uso.</li><li>c) Cuando el producto hubiese sido alterado o reparado por personas no autorizadas por Grupo HB PS, S.A. de C.V. el fabricante nacional, importador o comercializador responsable respectivo.</li></ul> El consumidor puede solicitar que se haga efectiva la garantía ante la propia casa comercial donde adquirió su producto, siempre y cuando Grupo HB PS, S.A. de C.V. no cuente con talleres de servicio.			

**PROCEDIMIENTO PARA HACER EFECTIVA LA GARANTÍA**

- Para hacer efectiva la garantía no deben exigirse mayores requisitos que la presentación del producto y la póliza correspondiente, debidamente sellada por el establecimiento que lo vendió.
- Para hacer efectiva la garantía, lleve su aparato al Centro de Servicio Autorizado más cercano a su domicilio (consulte la lista anexa).
- Si no existe Centro de Servicio Autorizado en su localidad llame a nuestro Centro de Atención al Consumidor para recibir instrucciones de como hacer efectiva su garantía.
- El tiempo de reparación, en ningún caso será mayor de 30 días naturales contados a partir de la fecha de recepción del producto en nuestros Centros de Servicio Autorizados.
- En caso de que el producto haya sido reparado o sometido a mantenimiento y el mismo presente deficiencias imputables al autor de la reparación o del mantenimiento dentro de los treinta días naturales posteriores a la entrega del producto al consumidor, éste tendrá derecho a que sea reparado o mantenido de nuevo sin costo alguno. Si el plazo de la garantía es superior a los treinta días naturales, se estará a dicho plazo.
- El tiempo que duren las reparaciones efectuadas al amparo de la garantía no es computable dentro del plazo de la misma. Cuando el bien haya sido reparado se iniciará la garantía respecto de las piezas repuestas y continuará con relación al resto. En el caso de reposición del bien deberá renovarse el plazo de la garantía.

DÍA\_\_ MES\_\_ AÑO\_\_

Si desea hacer comentarios o sugerencias con respecto a nuestro servicio o tiene alguna queja derivada de la atención recibida en alguno de nuestros Centros de Servicio Autorizados, por favor dirigirse a:

**GERENCIA INTERNACIONAL DE SERVICIO**  
01 800 71 16 100  
Email: [mexico.service@hamiltonbeach.com.mx](mailto:mexico.service@hamiltonbeach.com.mx)

**RED DE CENTROS DE SERVICIO AUTORIZADA GRUPO HB PS, S.A. DE C.V.**

**Distrito Federal**

**ELECTRODOMÉSTICOS**

Av. Plutarco Elías Calles No. 1499  
Zacahuiztco MEXICO 09490 D.F.  
Tel: 01 55 5235 2323 • Fax: 01 55 5243 1397

**CASA GARCIA**

Av. Patriotismo No. 875-B  
Mixcoac MEXICO 03910 D.F.  
Tel: 01 55 5563 8723 • Fax: 01 55 5615 1856

**Nuevo Leon**

**FERNANDO SEPULVEDA REFACCIONES**

Ruperto Martínez No. 238 Ote.  
Centro MONTERREY, 64000 N.L.  
Tel: 01 81 8343 6700 • Fax: 01 81 8344 0486

**Jalisco**

**SERVICIOS DE MANTENIMIENTO CASTILLO**

Garibaldi No. 1450  
Ladrón de Guevara  
GUADALAJARA 44660 Jal.  
Tel: 01 33 3825 3480 • Fax: 01 33 3826 1914

**Chihuahua**

**DISTRIBUIDORA TURMIX**

Av. Paseo Triunfo de la Rep. No. 5289 Local 2 A.  
Int. Hipermart  
Alamos de San Lorenzo  
CD. JUAREZ 32340 Chih.  
Tel: 01 656 617 8030 • Fax: 01 656 617 8030

**Modelos:**  
35034, 35036

**Tipo:**  
DF11

**Características Eléctricas:**  
120 V~ 60 Hz 1800 W

**Los modelos incluidos en el instructivo de Uso y Cuidado pueden ir seguidos o no por un sufijo correspondiente a una o varias letras del alfabeto y sus combinaciones, separadas o no por un espacio, coma, diagonal, o guión. Como ejemplos los sufijos pueden ser: "Y" y/o "MX" y/o "MXY" y/o "Z".**