

**READ BEFORE USE
LIRE AVANT UTILISATION
LEA ANTES DE USAR**

Visit www.hamiltonbeach.com for our complete line of products and Use and Care Guides – as well as delicious recipes, tips, and to register your product online!

Rendez-vous sur www.hamiltonbeach.ca pour notre liste complète de produits et de nos manuels utilisateur – ainsi que nos délicieuses recettes et nos conseils !

iVísite www.hamiltonbeach.com (EE. UU.) o www.hamiltonbeach.com.mx (México) para ver otros productos de Hamilton Beach o para contactarnos!

Questions?

Please call us – our friendly associates are ready to help.
USA: 1.800.851.8900

Questions ?

N'hésitez pas à nous appeler – nos associés s'empresseront de vous aider.
CAN : 1.800.267.2826

¿Preguntas?

Por favor llámenos – nuestros amables representantes están listos para ayudar.
EE. UU.: 1.800.851.8900
MEX: 01 800 71 16 100

Le invitamos a leer cuidadosamente este instructivo antes de usar su aparato.

Hamilton Beach®



Single-Serve
Coffeemaker
Cafetière 1 tasse
Cafetera para
Servicio Individual

English	2
Français.....	13
Español	25

IMPORTANT SAFEGUARDS

When using electrical appliances, basic safety precautions should always be followed to reduce the risk of fire, electric shock, and/or injury to persons, including the following:

1. Read all instructions.
2. This appliance is not intended for use by persons (including children) with reduced physical, sensory, or mental capabilities, or lack of experience and knowledge, unless they are closely supervised and instructed concerning use of the appliance by a person responsible for their safety.
3. Close supervision is necessary when any appliance is used by or near children. Children should be supervised to ensure that they do not play with the appliance.
4. Do not touch hot surfaces. Use handles or knobs. Care must be taken, as burns can occur from touching hot parts or from spilled, hot liquid.
5. To protect against electric shock, do not place cord, plug, or coffeemaker in water or other liquid.
6. Unplug from outlet when the coffeemaker is not in use and before cleaning. Allow to cool before putting on or taking off parts and before cleaning the appliance.
7. Coffeemaker must be operated on a flat surface away from the edge of counter to prevent accidental tipping.
8. Do not operate any appliance with a damaged cord or plug, or after the appliance malfunctions or has been damaged in any manner. Call our toll-free customer service number for information on examination, repair, or adjustment.
9. The use of accessory attachments not recommended by the appliance manufacturer may cause injuries.
10. Do not use outdoors.
11. Do not let cord hang over edge of table or counter or touch hot surfaces, including stove.
12. Do not place on or near a hot gas or electric burner, or in a heated oven.
13. Do not use appliance for other than intended use.
14. **WARNING:** To reduce the risk of fire or electric shock, do not remove the bottom cover of the coffeemaker. There are no user-serviceable parts inside. Repair should be done by authorized service personnel only.
15. **CAUTION!** Cut Hazard: Removable single-serve pack holder contains a sharp blade. Use caution when handling.
16. **CAUTION!** Cut Hazard: Piercing nozzle is sharp. Use caution when cleaning.

SAVE THESE INSTRUCTIONS!

Other Consumer Safety Information

This appliance is intended for household use only.

WARNING! Shock Hazard: This appliance has a polarized plug (one wide blade) that reduces the risk of electric shock. The plug fits only one way into a polarized outlet. Do not defeat the safety purpose of the plug by modifying the plug in any way or by using an adapter. If the plug does not fit fully into the outlet, reverse the plug. If it still does not fit, have an electrician replace the outlet.

The length of the cord used on this appliance was selected to reduce the hazards of becoming tangled in or tripping over a longer cord. If a longer cord is necessary, an approved extension cord may be used. The electrical rating of the extension cord must be equal to or greater than the rating of the appliance. Care must be taken to arrange the extension cord so that it will not drape over the countertop or tabletop where it can be pulled on by children or accidentally tripped over.

To avoid an electrical circuit overload, do not use another high-wattage appliance on the same circuit with this appliance.

Parts and Features

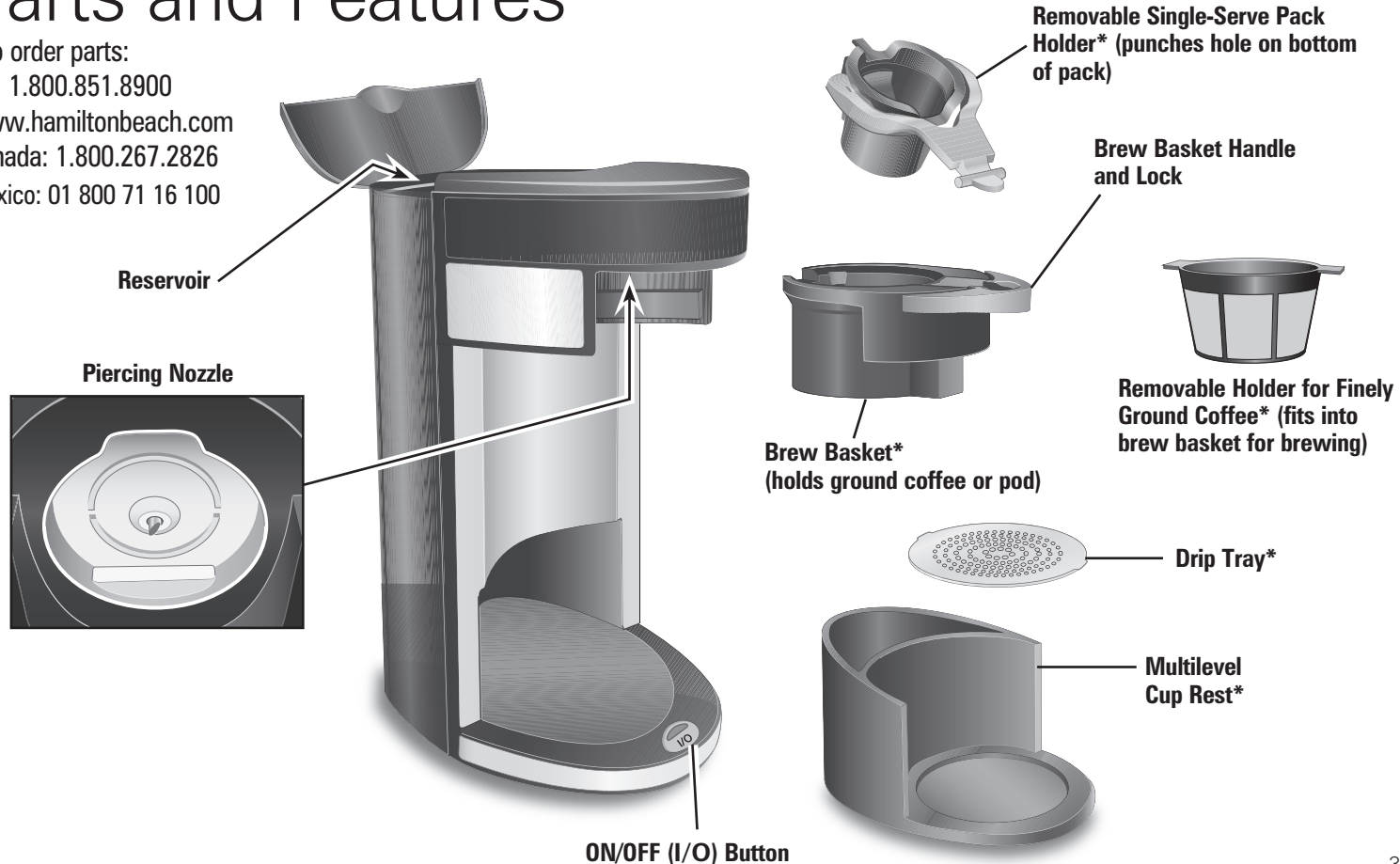
*To order parts:

US: 1.800.851.8900

www.hamiltonbeach.com

Canada: 1.800.267.2826

México: 01 800 71 16 100



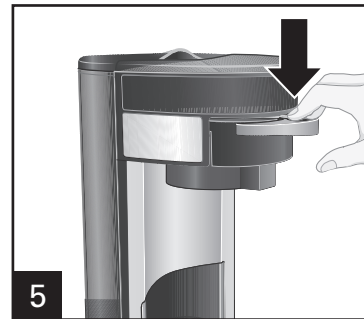
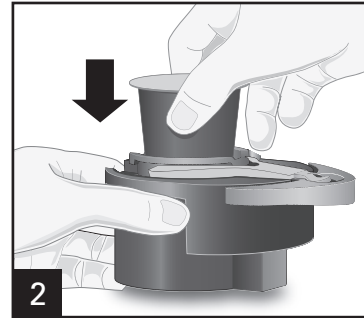
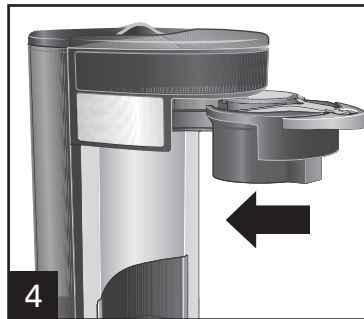
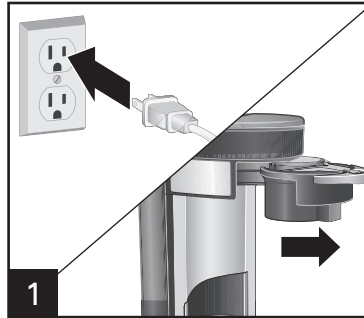
How to Brew a Single-Serve Pack

NOTE: It can take up to 2 minutes before brewed coffee starts dispensing into your cup or travel mug. Total brew time average is 4 minutes. For best results, allow the coffeemaker to cool for at least 2 minutes between brewing cycles.

⚠ WARNING Burn Hazard.

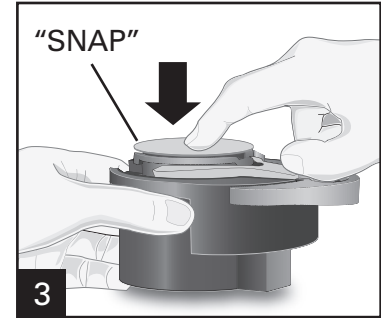
To avoid contact with hot coffee or water:

- Do not fill water above MAX fill line (10 ounces [296 ml]).
- Fill reservoir with cup or travel mug of water into which the coffee will be brewed.
- Fully insert cup or travel mug under brew basket.
- For best results, use K-Cup®* packs.



⚠ CAUTION Cut Hazard.

Removable single-serve pack holder has a sharp blade. Use caution when handling.



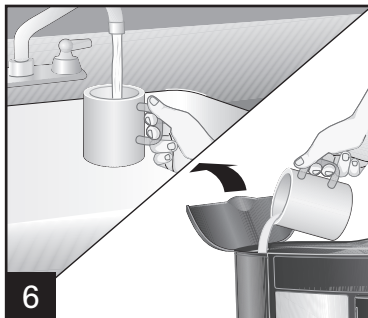
Place a pack into the single-serve pack holder.

Press down on edge of the pack until the pack snaps into place and hole is punched in the bottom. Do not remove foil.

Press down on brew basket handle to lock and puncture the foil lid on the pack.

*K-Cup is a registered trademark of Keurig, Inc. Use of the K-Cup trademark does not imply any affiliation with or endorsement by Keurig, Inc.

How to Brew a Single-Serve Pack (cont.)

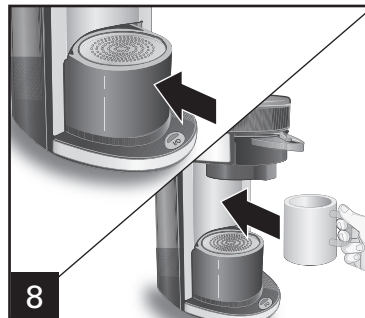


6

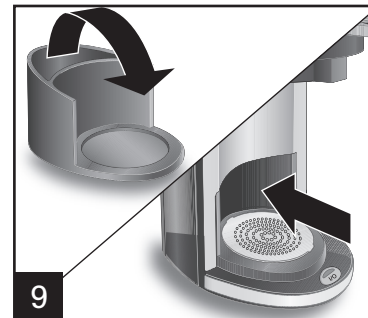
Fill reservoir with cup or travel mug into which the coffee will be brewed.



7

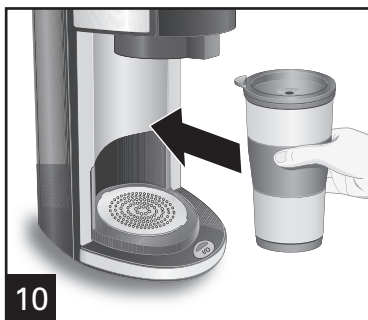


8

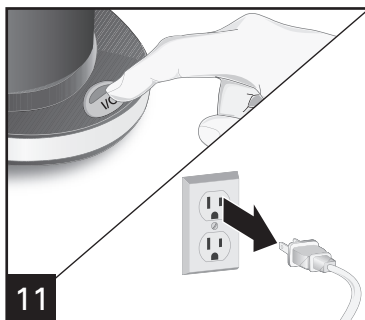


9

Use the taller cup position for a larger cup, such as a travel mug.

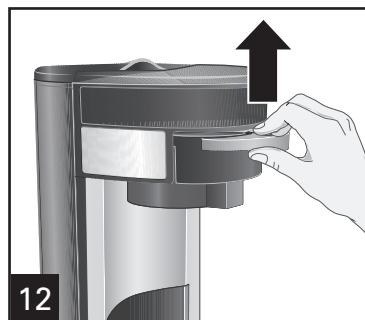


10



11

Press ON/OFF (I/O) button. The power ON indicator light will light up to show that coffeemaker is on.



12

Pull up on brew basket handle to unlock and remove.

Coffeemaker will shut off automatically and light will go off when brew cycle is completed.

Press the ON/OFF (I/O) button again to STOP brewing midcycle.

Allow 2 minutes to cool in between brews.

Brew basket and single-serve pack holder should be rinsed after every use.

How to Brew Ground Coffee or Soft Pod

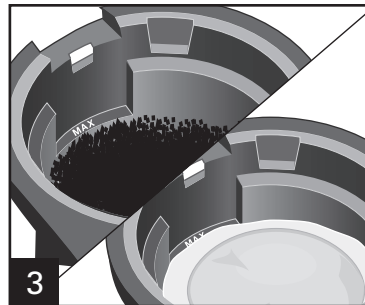
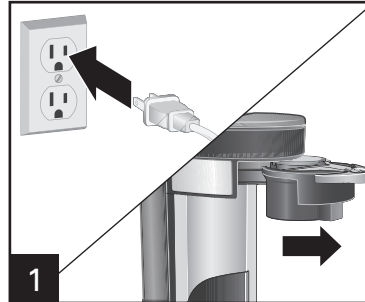
This unit is for use with Melitta®† pods, available in the coffee aisle of your local grocery store.

NOTE: It can take up to 2 minutes before brewed coffee starts dispensing into your cup or travel mug. Total brew time average is 4 minutes. For best results, allow the coffeemaker to cool for at least 2 minutes between brewing cycles.

⚠ WARNING Burn Hazard.

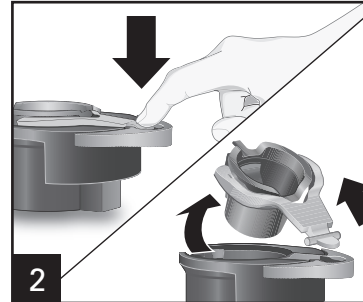
To avoid contact with hot coffee or water:

- Do not fill water above MAX fill line (10 ounces [296 ml]).
- Fill reservoir with cup or travel mug of water into which the coffee will be brewed.
- Fully insert cup or travel mug under brew basket.
- Remove single-serve pack holder before adding coffee grounds to brew basket.



Add ground coffee or pod to brew basket.

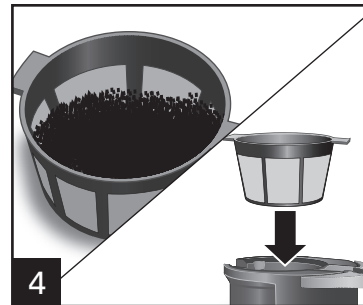
WARNING! Burn Hazard:
To avoid overflow, keep ground coffee below MAX fill line.



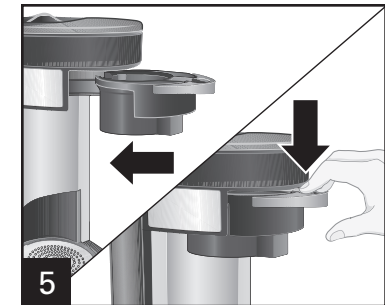
To remove single-serve pack holder, press down on the single-serve pack holder tab; then lift out.

⚠ CAUTION Cut Hazard.

Removable single-serve pack holder has a sharp blade. Use caution when handling.



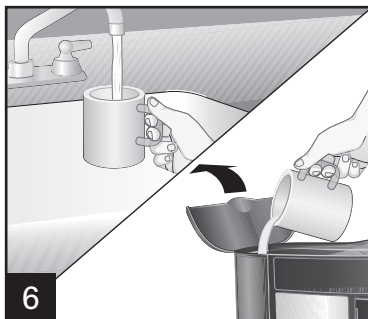
Or add finely ground coffee to removable holder. Place holder in brew basket. (2 Tablespoons [30 ml] is the MAX amount of any type of grounds.)



Push down to lock.

† Melitta is a registered trademark of Melitta Haushaltsprodukte GmbH & CoKG. Use of the Melitta trademark does not imply any affiliation with or endorsement by Melitta Haushaltsprodukte GmbH & CoKG.

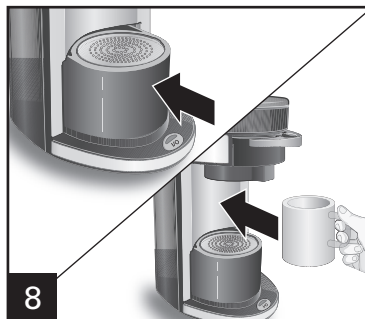
How to Brew Ground Coffee or Soft Pod (cont.)



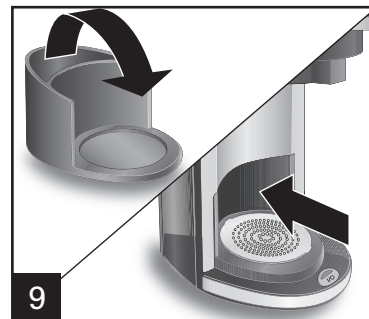
6
Fill reservoir with cup or travel mug into which the coffee will be brewed.



7

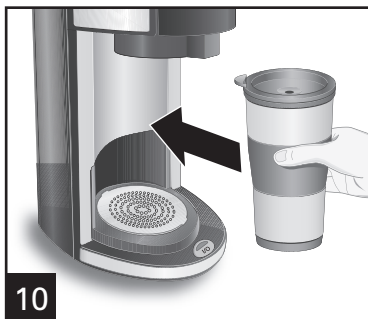


8

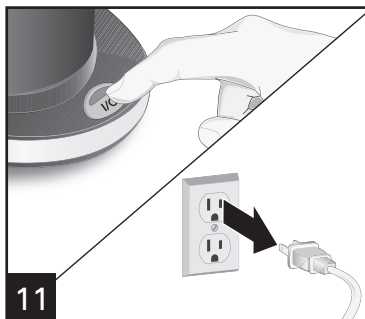


9

Use the taller cup position for a larger cup, such as a travel mug.



10



11

Press ON/OFF (I/O) button. The power ON indicator light will light up to show that coffeemaker is on.

Coffeemaker will shut off automatically and light will go off when brew cycle is completed.

If finer ground coffee is used, coffee will continue to drip after the light has gone off.

Press the ON/OFF (I/O) button again to STOP brewing midcycle.

Allow 2 minutes to cool in between brews.

Brew basket and single-serve pack holder should be rinsed after every use.

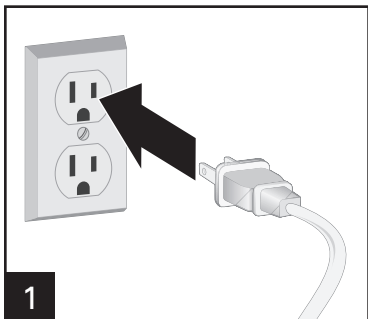
Care and Cleaning



WARNING Shock Hazard.

Do not immerse cord, plug, or coffeemaker in any liquid.

All coffeemakers should be cleaned at least once a month (once a week for areas with hard water).



1



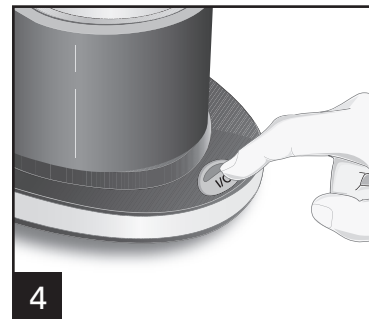
2

Pour 1/2 cup (118 ml) of plain white vinegar and 1/2 cup (118 ml) of cold water into reservoir.



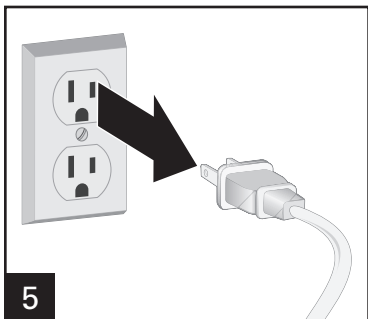
3

Place a cup underneath to catch the water/vinegar solution.



4

Press the ON/OFF (I/O) button once. After 30 seconds, unplug unit and allow vinegar to clean. After 30 minutes, plug in unit and allow it to finish the brew cycle. When brew cycle is finished, wait for unit to cool. Empty cup and rinse. Repeat steps 1-4 with 1 cup (237 ml) of cold tap water instead of 1/2 cup (118 ml) of vinegar and 1/2 cup (118 ml) of water.



5



6



DISHWASHER-SAFE

DO NOT use the "SANI" setting when washing in the dishwasher. "SANI" cycle temperatures could damage your product.

Troubleshooting

PROBLEM

PROBABLE CAUSE/SOLUTION

Coffee tastes bad.

- Coffeemaker needs cleaning.
- Coffee ground too coarsely or too finely. Set coffee grinder to automatic drip grind.
- Poor coffee quality and freshness.
- Poor water quality (use filtered or bottled water).

Water on counter under unit.

- Overfilled water reservoir. Also check cup used to fill reservoir. Some mugs/cups do not pour cleanly and can dribble water down the side of the cup and onto counter.

Coffeemaker will not brew.

- Make sure you have allowed for the 2 minutes of cool-down time.
- Check for water in water reservoir. If there is no water in the reservoir and the brew button is pushed, the unit will not brew.

Coffee overflows from brew basket.

- Use removable holder for ground coffee.
- Use a lesser amount of ground coffee.
- When using whole bean coffee, a standard automatic drip coffee grind will yield best results. Be careful not to overgrind, since very finely ground coffee can cause overflow in this unit.

Coffee overflows from mug or travel mug.

- To prevent coffee overflowing from a mug/travel mug, use the same mug/travel mug to brew into that was used to fill the water reservoir. Do not add more than 10 ounces (296 ml) of water.

Water remaining in reservoir.

- Added too much water. Remove single-serve pack and replace brew basket. Repeat brewing cycle.

Noise or steam at the end of brew cycle.

- Reduce amount of water in reservoir.
- Brew a different type of single-serve pack.

Troubleshooting (cont.)

PROBLEM	PROBABLE CAUSE
Coffee not dispensing.	<ul style="list-style-type: none">• Piercing nozzle is clogged with coffee grounds. Turn unit off; unplug. Allow unit to cool completely. To remove any built-up coffee grounds, insert end of bent paper clip into eye of piercing nozzle.
Water reservoir fills too slowly.	<ul style="list-style-type: none">• Unit hasn't cooled down. Allow 2 minutes between brewing cycles.• Try filling water reservoir before pushing down brew basket handle to pierce single-serve pack. Start brewing cycle.
Failed foil seal.	<ul style="list-style-type: none">• There is variability in the single-serve pack manufacturing process which causes some types of single-serve packs to be weaker at the seams. Let cool 2 minutes between brewing, use less water, or try a different brand.

Notes

Limited Warranty

This warranty applies to products purchased and used in the U.S. and Canada. This is the only express warranty for this product and is in lieu of any other warranty or condition.

This product is warranted to be free from defects in material and workmanship for a period of one (1) year from the date of original purchase. During this period, your exclusive remedy is repair or replacement of this product or any component found to be defective, at our option; however, you are responsible for all costs associated with returning the product to us and our returning a product or component under this warranty to you. If the product or component is no longer available, we will replace with a similar one of equal or greater value.

This warranty does not cover glass, filters, wear from normal use, use not in conformity with the printed directions, or damage to the product resulting from accident, alteration, abuse, or misuse. This warranty extends only to the original consumer purchaser or gift recipient. Keep the original sales receipt, as proof of purchase is required to make a warranty claim. This warranty is void if the product is used for other than single-family household use or subjected to any voltage and waveform other than as specified on the rating label (e.g., 120V ~ 60 Hz).

We exclude all claims for special, incidental, and consequential damages caused by breach of express or implied warranty. All liability is limited to the amount of the purchase price. **Every implied warranty, including any statutory warranty or condition of merchantability or fitness for a particular purpose, is disclaimed except to the extent prohibited by law, in which case such warranty or condition is limited to the duration of this written warranty.** This warranty gives you specific legal rights. You may have other legal rights that vary depending on where you live. Some states or provinces do not allow limitations on implied warranties or special, incidental, or consequential damages, so the foregoing limitations may not apply to you.

To make a warranty claim, do not return this appliance to the store. Please call 1.800.851.8900 in the U.S. or 1.800.267.2826 in Canada or visit hamiltonbeach.com in the U.S. or hamiltonbeach.ca in Canada. For faster service, locate the model, type, and series numbers on your appliance.

PRÉCAUTIONS IMPORTANTES

Pour utiliser un appareil électroménager, vous devez toujours prendre des mesures élémentaires de sécurité pour réduire le risque d'incendie, d'électrocution et/ou de blessure corporelle, en particulier les mesures suivantes :

1. Lire toutes les instructions.
2. Cet appareil n'est pas destiné à être utilisé par des personnes (y compris les enfants) dont les capacités physiques, sensorielles ou mentales sont réduites, ou manquant d'expérience et de connaissance, sauf si elles sont étroitement surveillées et instruites sur l'utilisation de l'appareil par une personne responsable de leur sécurité.
3. Une surveillance étroite est requise pour tout appareil utilisé par ou près des enfants. Surveiller que les enfants ne jouent pas avec l'appareil.
4. Ne pas toucher les surfaces chaudes. Utiliser les poignées ou les boutons. La prudence s'impose car des brûlures peuvent survenir si on touche des pièces chaudes ou si on renverse des liquides chauds.
5. Pour protéger contre le choc électrique, ne pas placer le cordon, la fiche ou la cafetière dans l'eau ou autre liquide.
6. Débrancher l'appareil de la prise de courant lorsque la cafetière n'est pas utilisée et avant le nettoyage. Laisser refroidir l'appareil avant de placer ou de retirer des pièces, et avant de le nettoyer.
7. La cafetière doit être utilisée sur une surface droite loin du bord du comptoir, pour empêcher le basculement accidentel.
8. Ne pas faire fonctionner un appareil avec un cordon ou une fiche endommagé, ou lorsque l'appareil ne fonctionne pas bien ou a été endommagé d'une manière quelconque. Appeler notre numéro sans frais de service à la clientèle pour des renseignements concernant l'examen, la réparation ou l'ajustement.
9. L'utilisation d'accessoires non recommandés par le fabricant d'électroménagers peut causer des blessures.
10. Ne pas utiliser à l'extérieur.
11. Ne pas laisser le cordon pendre par dessus le bord d'une table ou d'un comptoir, ou toucher des surfaces chaudes, y compris la cuisinière.
12. Ne placez jamais votre appareil sur ou à proximité d'un brûleur électrique ou à gaz chaud, ou dans un four chauffé.
13. Ne pas utiliser cet appareil pour un autre usage que celui auquel il est destiné.
14. **AVERTISSEMENT** : Pour réduire le risque d'incendie ou de choc électrique, ne pas enlever le dessous de la cafetière. Aucune pièce à l'intérieur n'est réparable par l'utilisateur. Les réparations doivent être faites par du personnel d'entretien autorisé seulement.
15. **MISE EN GARDE** ! Risque de coupures. Le support amovible de la dosette 1 tasse contient une lame coupante. Manipuler avec soin.
16. **MISE EN GARDE** ! Risque de coupures. Le perforateur est coupant. Être prudent lors du nettoyage.

CONSERVER CES INSTRUCTIONS !

Autres renseignements relatifs à la sécurité du consommateur

Cet appareil est destiné à un usage domestique uniquement.

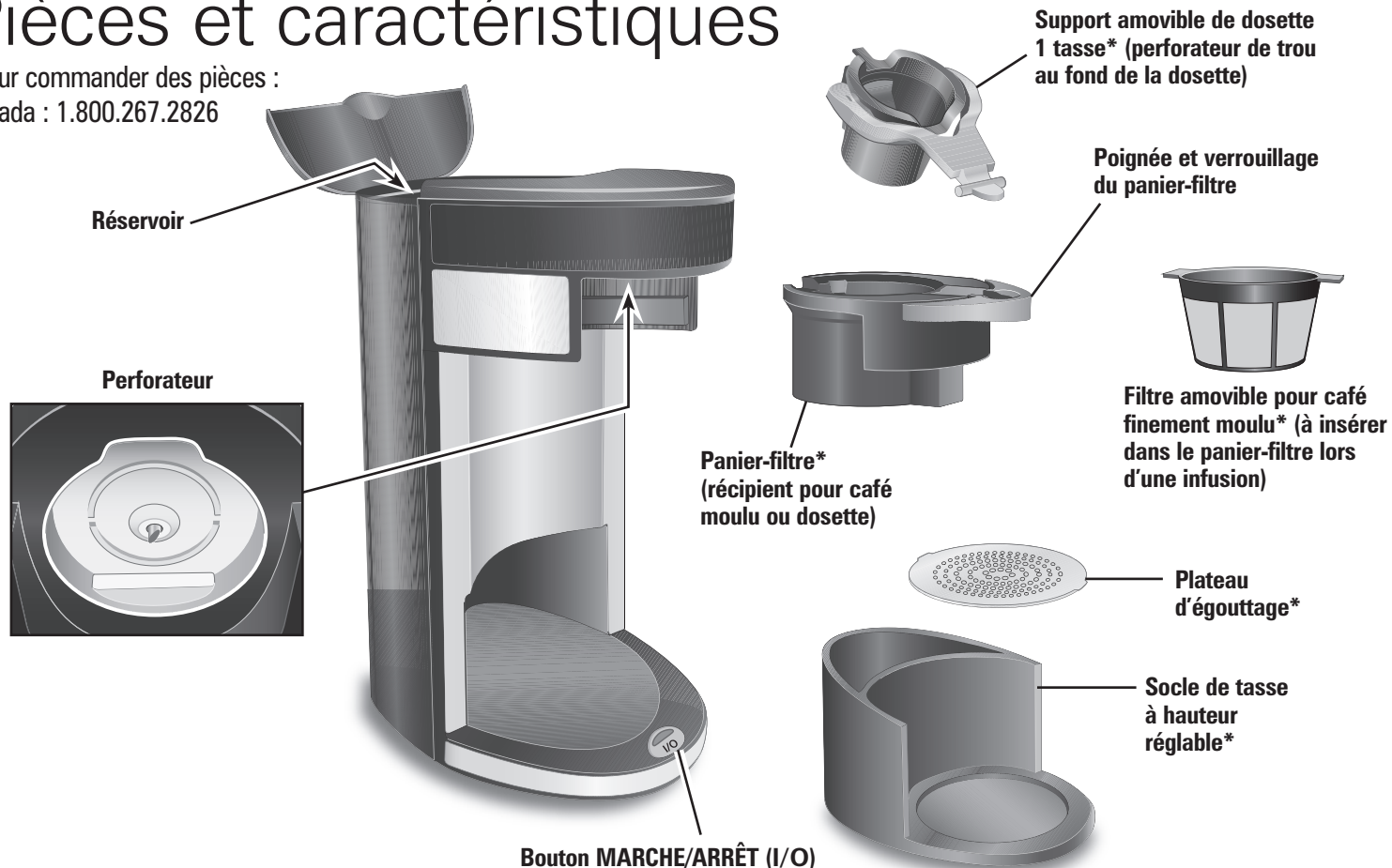
AVERTISSEMENT ! Risque d'électrocution : Cet appareil électroménager possède une fiche polarisée (une broche large) qui réduit le risque d'électrocution. Cette fiche n'entre que dans un seul sens dans une prise polarisée. Ne contrecarrez pas l'objectif sécuritaire de cette fiche en la modifiant de quelque manière que ce soit ou en utilisant un adaptateur. Si vous ne pouvez pas insérer complètement la fiche dans la prise, inversez la fiche. Si elle refuse toujours de s'insérer, faire remplacer la prise par un électricien.

La longueur du cordon installé sur cet appareil a été sélectionnée afin de réduire les risques d'enchevêtrement ou de faux pas causés par un fil trop long. L'utilisation d'une rallonge approuvée est permise si le cordon est trop court. Les caractéristiques électriques de la rallonge doivent être équivalentes ou supérieures aux caractéristiques de l'appareil. Prendre toutes les précautions nécessaires pour installer la rallonge de manière à ne pas la faire courir sur le comptoir ou sur une table pour éviter qu'un enfant ne tire sur le cordon ou trébuche accidentellement.

Afin d'éviter une surcharge électrique, évitez d'utiliser un autre appareil à haute puissance sur le même circuit que la cafetière.

Pièces et caractéristiques

*Pour commander des pièces :
Canada : 1.800.267.2826



Comment infuser la dosette 1 tasse

⚠ MISE EN GARDE Risque de coupures.

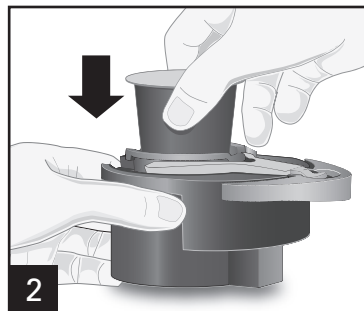
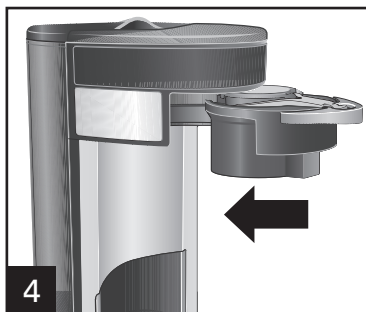
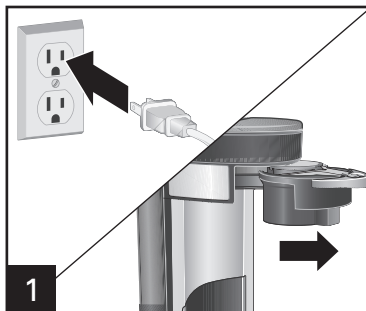
Le support amovible de la dosette 1 tasse contient une lame coupante. Manipuler avec soin.

REMARQUE : Il peut s'écouler jusqu'à 2 minutes avant que le café infusé commence à couler dans la tasse ou le gobelet à emporter. La durée moyenne du cycle d'infusion complet est d'environ 4 minutes. Pour de meilleurs résultats, laissez refroidir la cafetière pendant au moins 2 minutes entre les cycles d'infusion.

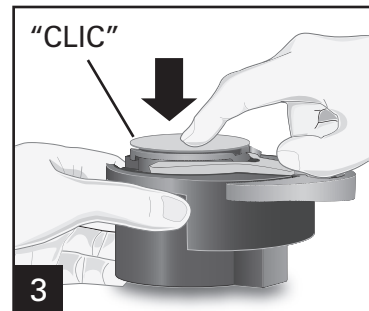
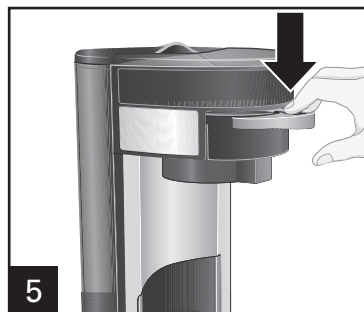
⚠ AVERTISSEMENT

Risque de brûlure. Pour éviter tout contact avec le café ou l'eau brûlant :

- Ne pas remplir au-delà de la ligne de remplissage MAX (10 onces [296 ml]).
- Remplir le réservoir d'eau avec la tasse ou le gobelet à emporter dans laquelle sera infusé le café.
- Insérer complètement la tasse ou le gobelet à emporter sous le panier-filtre.
- Pour des résultats optimaux, utiliser les dosettes K-Cup^{MID}*.



Déposer la dosette dans le support de la dosette 1 tasse.

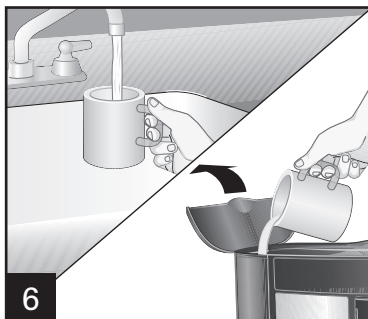


Appuyer sur le contour de la dosette et l'enfoncer jusqu'à ce que celle-ci s'insère correctement et que le fond soit perforé. Ne pas retirer la feuille métallique.

Abaisser la poignée du panier-filtre pour verrouiller et perforer la feuille métallique de la dosette.

*K-Cup est une marque déposée de Keurig, Inc. L'usage du nom de la marque déposée commerce K-Cup n'implique aucune affiliation et aucun endossement par Keurig, Inc.

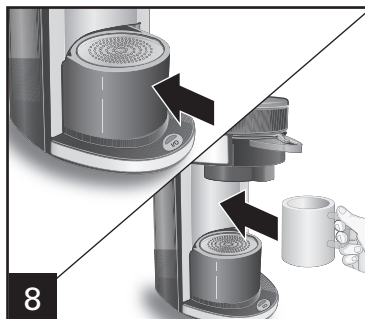
Comment infuser la dosette 1 tasse (suite)



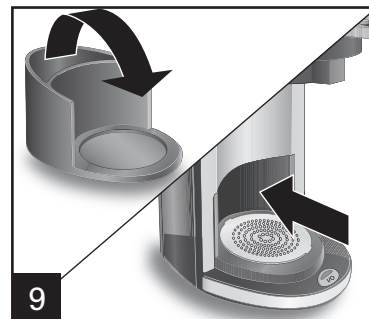
6
Remplir le réservoir avec la tasse ou le gobelet à emporter dans lequel sera infusé le café.



7

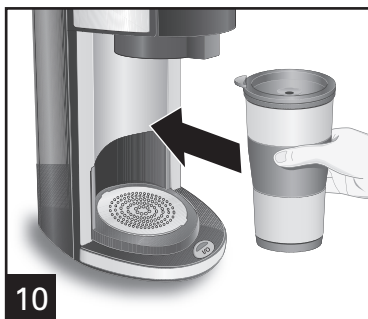


8

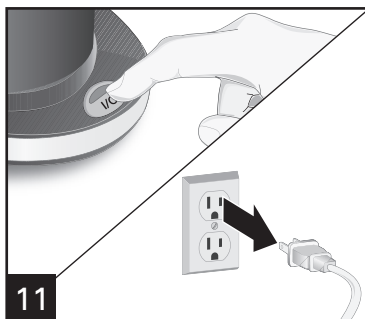


9

Utiliser la position de tasse plus haute pour une tasse plus grande, comme un gobelet à emporter.

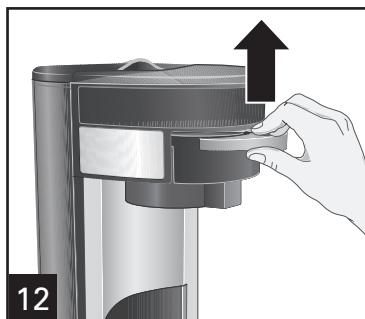


10



11

Appuyer sur le bouton MARCHÉ/ARRÊT (I/O). Le voyant d'alimentation s'allume pour indiquer que la cafetière est sous tension.



12

Soulever la poignée du panier-filtre pour déverrouiller et retirer.

La cafetière se coupe automatiquement et le voyant s'éteint lorsque le cycle d'infusion est terminé.

Appuyer à nouveau sur le bouton MARCHÉ/ARRÊT (I/O) pour interrompre l'infusion à la moitié du cycle.

Laisser refroidir 2 minutes entre chaque cycle d'infusion.

Le panier-filtre et le support de la dosette 1 tasse doivent être rincés après chaque utilisation.

Comment infuser le café moulu ou les dosettes souples

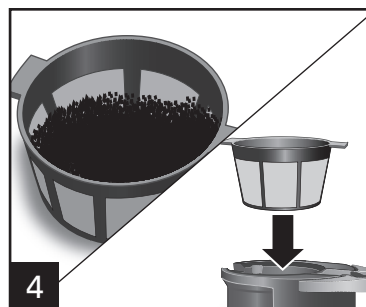
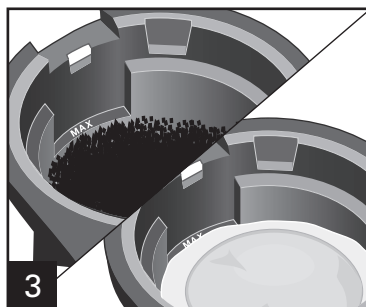
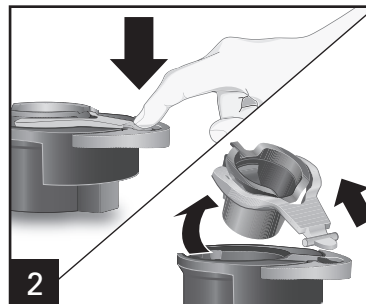
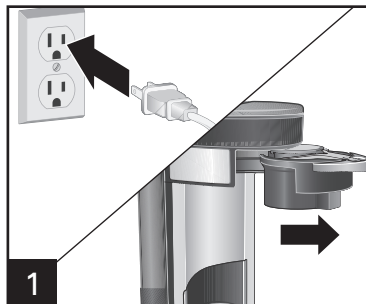
Ce modèle doit être utilisé avec les dosettes Melitta^{MDT}, en vente dans le rayon de café de votre épicerie.

REMARQUE : Il peut s'écouler jusqu'à 2 minutes avant que le café infusé commence à couler dans la tasse ou le gobelet à emporter. La durée moyenne du cycle d'infusion complet est d'environ 4 minutes. Pour de meilleurs résultats, laissez refroidir la cafetière pendant au moins 2 minutes entre les cycles d'infusion.

⚠ AVERTISSEMENT

Risque de brûlure. Pour éviter tout contact avec le café ou l'eau brûlant :

- Ne pas remplir au-delà de la ligne de remplissage MAX (10 onces [296 ml]).
- Remplir le réservoir d'eau avec la tasse ou le gobelet à emporter dans laquelle sera infusé le café.
- Insérer complètement la tasse ou le gobelet à emporter sous le panier-filtre.
- Retirer le support de la dosette 1 tasse avant d'ajouter du café moulu dans le panier-filtre.



Pour enlever le support de la dosette 1 tasse, abaisser la languette du support de la dosette 1 tasse; puis soulever pour enlever.

⚠ MISE EN GARDE

Risque de coupures.

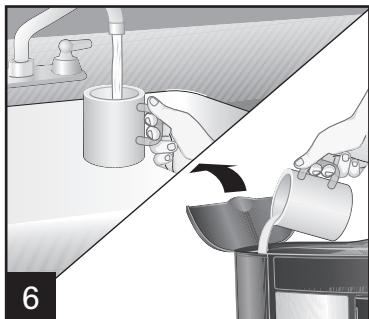
Le support amovible de la dosette 1 tasse contient une lame coupante. Manipuler avec soin.

Ajouter du café moulu ou une dosette dans le panier-filtre.
AVERTISSEMENT ! Risque de brûlure : Pour éviter le débordement, ne pas remplir de mouture de café au-delà de la ligne de remplissage MAX.

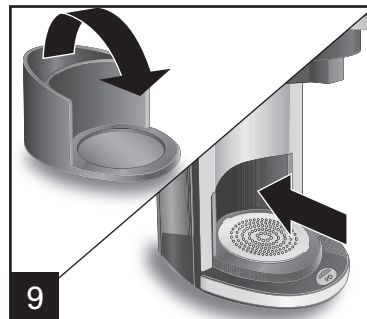
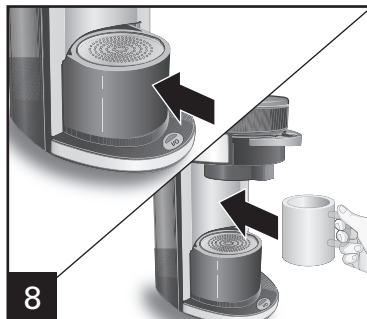
Ou ajouter du café finement moulu dans le filtre amovible. Déposer le filtre dans le panier-filtre. (Quantité maximale pour toutes moutures de grains de café : 2 c. à soupe [30 ml]). Abaisser pour verrouiller.

^{*}Melitta et une marque déposée de Melitta Haushaltsprodukte GmbH & CoKG. L'usage du nom de la marque de commerce Melitta n'implique aucune affiliation et aucun endossement par Melitta Haushaltsprodukte GmbH & CoKG.

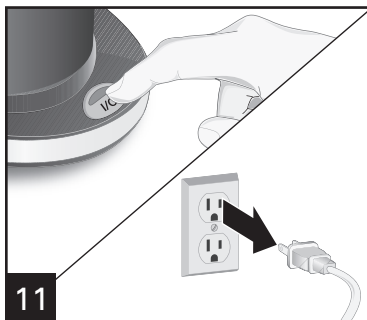
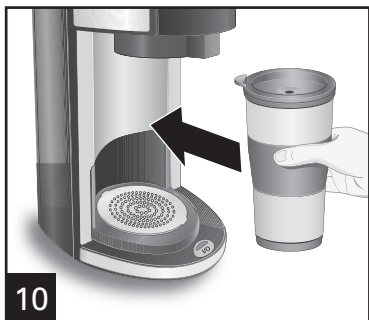
Comment infuser le café moulu ou les dosettes souples (suite)



6 Remplir le réservoir avec la tasse ou le gobelet à emporter dans lequel sera infusé le café.



9 Utiliser la position de tasse plus haute pour une tasse plus grande, comme un gobelet à emporter.



Appuyer sur le bouton **MARCHE/ARRÊT (I/O)**. Le voyant d'alimentation s'allume pour indiquer que la cafetière est sous tension.

La cafetière se coupe automatiquement et le voyant s'éteint lorsque le cycle d'infusion est terminé.

Si l'on utilise une mouture de café plus fine, le café continuera de couler même si le témoin est éteint.

Appuyer à nouveau sur le bouton **MARCHE/ARRÊT (I/O)** pour interrompre l'infusion à la moitié du cycle.

Laisser refroidir 2 minutes entre chaque cycle d'infusion.

Le panier-filtre et le support de la dosette 1 tasse doivent être nettoyés après chaque utilisation.

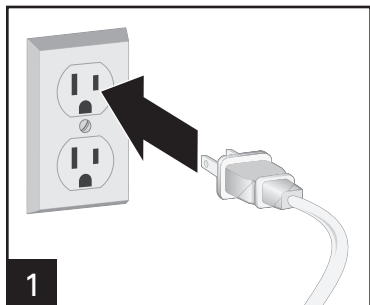
Entretien et nettoyage



AVERTISSEMENT Risque d'électrocution.

Ne pas immerger le cordon, la fiche ou la cafetière dans aucun liquide.

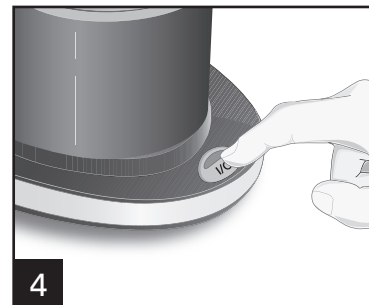
Toutes les cafetières doivent être nettoyées au moins une fois par mois (une fois par semaine pour les zones à eau calcaire).



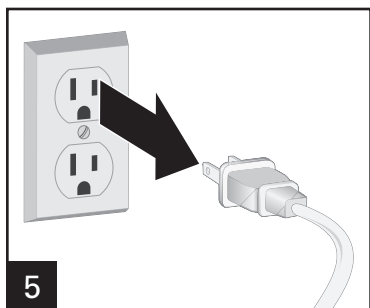
Verser 1/2 tasse (118 ml) de vinaigre blanc ordinaire et de mise en 1/2 tasse (118 ml) d'eau froide dans le réservoir.



Placer une tasse en dessous pour récupérer la solution eau/vinaigre.



Appuyer une fois sur le bouton MARCHE/ARRÊT (I/O). Au bout de 30 secondes, débrancher la cafetière et laisser le vinaigre agir. Au bout de 30 minutes, brancher la cafetière et laisser-la finir le cycle d'infusion. Lorsque le cycle d'infusion est terminé, attendre que la cafetière refroidisse. Vider la tasse et rincer-la. Répéter les étapes 1 à 4 avec 1 tasse (237 ml) d'eau froide du robinet au lieu de 1/2 tasse (118 ml) de vinaigre et 1/2 tasse (118 ml) d'eau.



NE PAS utiliser le réglage "SANI" du lave-vaisselle. Les températures du cycle "SANI" peuvent endommager le produit.

Dépannage

PROBLÈME

CAUSE PROBABLE/SOLUTION

Le café a un mauvais goût.

- La cafetière a besoin d'être nettoyée.
- La mouture du café est trop grossière ou trop fine. Régler le moulin à café sur café moulu pour cafetière automatique.
- La qualité et la fraîcheur du café laissent à désirer.
- L'eau est de piètre qualité. (Utilisez de l'eau filtrée ou en bouteille).

Présence d'eau sur le comptoir et sous la cafetière.

- Le réservoir contient trop d'eau. Vérifier également la tasse utilisée pour remplir le réservoir. Certaines tasses ne versent pas correctement et de l'eau peut couler le long de la tasse et sur le plan de travail.

La cafetière n'infusera pas.

- S'assurer que le temps de refroidissement est de 2 minutes.
- Vérifier si le réservoir contient de l'eau. L'appareil ne fonctionnera pas si le réservoir est vide et que l'on enfonce le bouton d'infusion.

Le café déborde du panier-filtre.

- Utiliser le filtre amovible pour le café moulu.
- Utiliser moins de café moulu.
- Lorsque vous utiliser du café en grain, un café moulu comme pour une cafetière à filtre automatique donnera de meilleurs résultats. Attention de ne pas trop moulin le café. Si le café est moulu trop finement, l'appareil peut déborder.

Le café déborde de la grande tasse à café ou de la tasse régulière.

- Pour éviter que le café ne déborde de la tasse/tasse de voyage, utiliser la même grande tasse pour infuser ayant été utilisée pour remplir le réservoir d'eau. Ne pas ajouter plus de 10 oz (296 ml) d'eau.

Eau résiduelle dans le réservoir.

- Trop d'eau ajoutée. Retirer la dosette 1 tasse et réinstaller le panier-filtre. Répéter le cycle d'infusion.

Dépannage (suite)

PROBLÈME

CAUSE PROBABLE/SOLUTION

Bruit ou vapeur à la fin du cycle d'infusion.

- Diminuer la quantité d'eau dans le réservoir.
- Infuser une autre sorte de dosette 1 tasse.

Le café ne se verse pas dans la tasse.

- Le café moulu obstrue le perforateur. Éteindre l'appareil et le débrancher. Permettre le refroidissement complet de l'appareil. Insérer un trombone à papier plié dans l'orifice du perforateur pour déloger l'accumulation de café moulu.

Le réservoir se remplit trop lentement.

- L'appareil n'est pas assez froid. Patienter 2 minutes avant le prochain cycle d'infusion.
- Essayer de remplir le réservoir d'eau avant d'abaisser la poignée du panier-filtre servant à perforer la dosette 1 tasse. Démarrer le cycle d'infusion.

Bris du sceau d'aluminium.

- Il existe plusieurs procédés de fabrication de dosettes 1 tasse pouvant causer le bris de certains rebords des dosettes 1 tasse. Laisser refroidir 2 minutes entre les cycles d'infusion, utiliser moins d'eau ou essayer une autre marque.

Notes

Garantie limitée

Cette garantie s'applique aux produits achetés et utilisés aux É.-U. et au Canada. C'est la seule garantie expresse pour ce produit et est en lieu et place de tout autre garantie ou condition.

Ce produit est garanti contre tout défaut de matériaux et de main-d'oeuvre pour une période de un (1) an à compter de la date d'achat d'origine. Au cours de cette période, votre seul recours est la réparation ou le remplacement de ce produit ou tout composant s'avérant défectueux, à notre gré, mais vous êtes responsable de tous les coûts liés à l'expédition du produit et le retour d'un produit ou d'un composant dans le cadre de cette garantie. Si le produit ou un composant n'est plus offert, nous le remplacerons par un produit similaire de valeur égale ou supérieure.

Cette garantie ne couvre pas le verre, les filtres, l'usure d'un usage normal, l'utilisation non conforme aux directives imprimées, ou des dommages au produit résultant d'un accident, modification, utilisation abusive ou incorrecte. Cette garantie s'applique seulement à l'acheteur original ou à la personne l'ayant reçu en cadeau. La présentation du reçu de vente d'origine comme preuve d'achat est nécessaire pour faire une réclamation au titre de cette garantie. Cette garantie s'annule si le produit est utilisé autrement que par une famille ou si l'appareil est soumis à toute tension ou forme d'onde différente des caractéristiques nominales précisées sur l'étiquette (par ex. : 120 V ~ 60 Hz).

Nous excluons toutes les réclamations au titre de cette garantie pour les dommages spéciaux, consécutifs et indirects causés par la violation de garantie expresse ou implicite. Toute responsabilité est limitée au prix d'achat. **Chaque garantie implicite, y compris toute garantie ou condition de qualité marchande ou d'adéquation à un usage particulier, est exonérée, sauf dans la mesure interdite par la loi, auquel cas la garantie ou condition est limitée à la durée de cette garantie écrite.** Cette garantie vous donne des droits légaux précis. Vous pouvez avoir d'autres droits qui varient selon l'endroit où vous habitez. Certaines provinces ne permettent pas les limitations sur les garanties implicites ou les dommages spéciaux ou indirects de telle sorte que les limitations ci-dessus ne s'appliquent peut-être pas à votre cas.

Ne pas retourner cet appareil au magasin lors d'une réclamation au titre de cette garantie. Téléphoner au 1.800.851.8900 aux É.-U. ou au 1.800.267.2826 au Canada ou visiter le site internet www.hamiltonbeach.com aux É.-U. ou www.hamiltonbeach.ca au Canada. Pour un service plus rapide, trouvez le numéro de modèle, le type d'appareil et les numéros de série sur votre appareil.

SALVAGUARDIAS IMPORTANTES

Cuando utilice artefactos eléctricos, siempre deben seguirse precauciones de seguridad básicas a fin de reducir el riesgo de incendio, descarga eléctrica, y/o lesiones a personas, incluyendo las siguientes:

1. Lea todas las instrucciones.
2. Este aparato no se destina para utilizarse por personas (incluyendo niños) cuyas capacidades físicas, sensoriales o mentales sean diferentes o estén reducidas, o carezcan de experiencia o conocimiento, a menos que dichas personas reciban una supervisión o capacitación para el funcionamiento del aparato por una persona responsable de su seguridad.
3. Se requiere de una estrecha supervisión cuando el aparato se use cerca de niños. Los niños deben supervisarse para asegurar que ellos no empleen los aparatos como juguete.
4. Verifique que el voltaje de su instalación corresponda con el del producto.
5. No toque superficies calientes. Use manijas o perillas. Es importante tener cuidado ya que pueden ocurrir quemaduras al tocar partes calientes o como resultado del derrame de líquido caliente.
6. Para protegerse contra choques eléctricos no sumerja el cordón, el enchufe o la cafetera en el agua o en otro líquido.
7. Desenchufe la cafetera cuando no esté en uso y antes de la limpieza. Deje que se enfríe antes de ponerle o quitarle piezas y antes de su limpieza.
8. La cafetera debe ser operada sobre una superficie plana lejos del borde de la mesera o mostrador para evitar que se vuelque accidentalmente.
9. No haga funcionar artefacto alguno que tenga el cordón o el enchufe averiado o si falla o ha sufrido algún daño. Llame a nuestro número gratuito de servicio al cliente para información sobre examinación, reparación o ajuste.
10. El uso de aditamentos de accesorio no recomendados por el fabricante del aparato pueden causar lesiones.
11. No lo use a la intemperie.
12. No deje que el cable cuelgue del borde de la mesa, mostrador, ni que toque superficies calientes, incluyendo la estufa.
13. No lo coloque sobre o cerca de una cocina eléctrica o a gas caliente o dentro de un horno caliente.
14. No use el artefacto para fines ajenos a los que está destinado.
15. **ADVERTENCIA:** Para reducir el riesgo de incendio o choque eléctrico, no quite la cubierta inferior de la cafetera. En el interior no hay piezas que el usuario pueda reparar. Las reparaciones deberán ser realizadas solamente por personal de servicio autorizado.
16. **iPRECAUCIÓN!** Peligro de Cortaduras: El soporte de paquete desmontable de servicio individual contiene una hoja de corte filosa. Tenga cuidado al manipular.
17. **iPRECAUCIÓN!** Peligro de Cortaduras: La boquilla de perforación es filosa. Tenga cuidado al lavarla.

¡GUARDE ESTAS INSTRUCCIONES!

Otra Información de Seguridad para el Cliente

Este aparato ha sido diseñado solamente para uso doméstico.

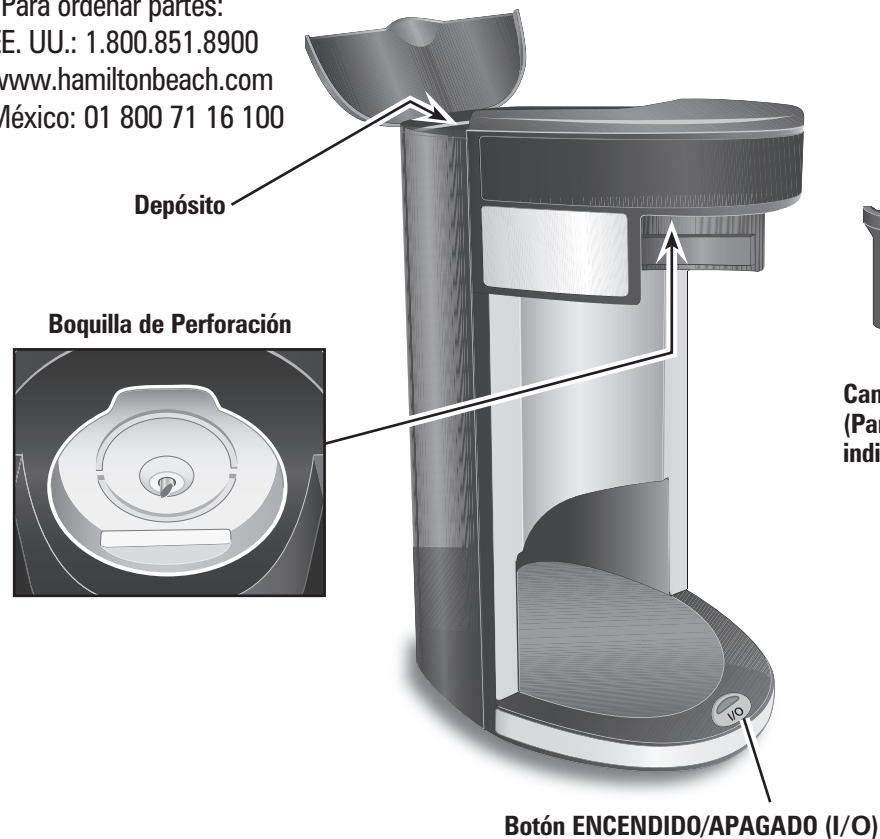
iADVERTENCIA! Peligro de Descarga Eléctrica: Este aparato cuenta con un enchufe polarizado (una pata más ancha) que reduce el riesgo de una descarga eléctrica. El enchufe embona únicamente en una dirección dentro de un tomacorriente polarizado. No trate de obviar el propósito de seguridad del enchufe modificándolo de alguna manera o utilizando un adaptador. Si el enchufe no entra completamente en la toma, invierta el enchufe. Si aún no entra, haga que un electricista reemplace la toma.

El largo del cable que se usa en este aparato fue seleccionado para reducir el peligro de que alguien se enganche o tropiece con un cable más largo. Si es necesario usar un cable más largo, se podrá usar un cable de extensión aprobado. La clasificación eléctrica nominal del cable de extensión debe ser igual o mayor que la clasificación nominal del aparato. Es importante tener cuidado de colocar el cable de extensión para que no se pliegue sobre el mostrador o la mesera en donde niños puedan tirar del mismo o tropezarse accidentalmente.

Para evitar una sobrecarga del circuito eléctrico, no use ningún otro aparato electrodoméstico de alto voltaje en el mismo circuito que este aparato.

Piezas y Características

*Para ordenar partes:
EE. UU.: 1.800.851.8900
www.hamiltonbeach.com
México: 01 800 71 16 100



Cómo Preparar un Paquete de Servicio Individual

⚠ PRECAUCIÓN Peligro de Cortaduras:

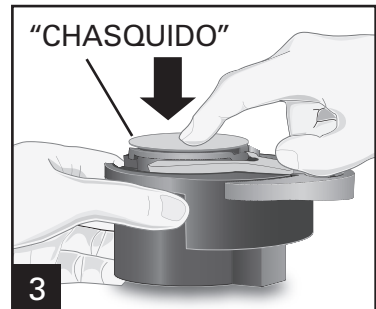
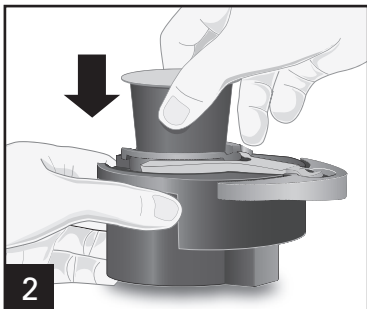
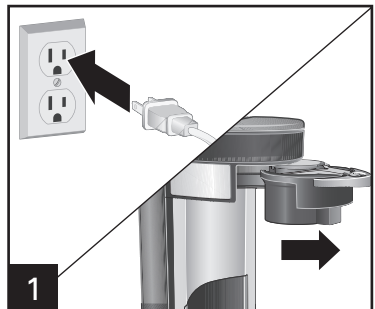
El soporte de paquete desmontable de servicio individual contiene una hoja de corte filosa. Tenga cuidado al manipular.

NOTA: Pueden pasar hasta 2 minutos antes de que el café preparado comience a verterse en su taza o taza de viaje. El promedio de preparación total es de 4 minutos. Tenga cuidado al manipular. Para mejores resultados, deje que la cafetera se enfríe por al menos 2 minutos entre los ciclos de preparación.

⚠ ADVERTENCIA Peligro de Quemaduras.

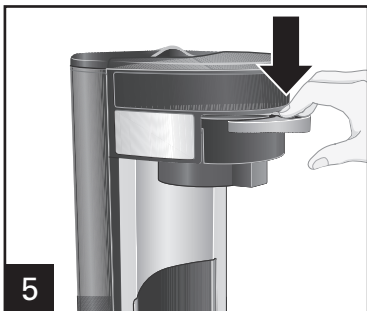
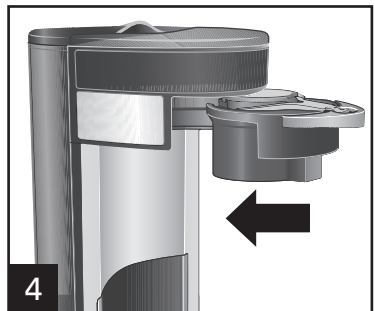
Para evitar contacto con café o agua caliente:

- No llene con agua por encima de la línea de llenado MAX (10 onzas [296 ml]) de agua.
- Llene el depósito con agua con la taza o la taza de viaje en la que preparará el café.
- Coloque la taza o la taza de viaje totalmente debajo de la canasta de preparación.
- Para mejores resultados, utilice los paquetes K-Cup®*.



Coloque un paquete en el soporte de paquete desmontable de servicio individual.

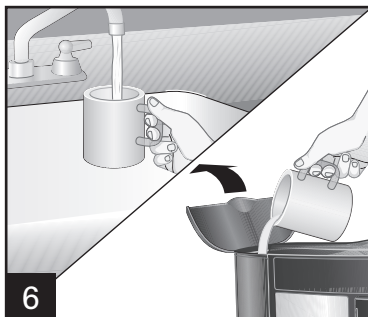
Presione hacia abajo sobre el borde del paquete hasta que éste quede en su lugar con un clic y se perfora el orificio en la parte inferior. No quite el papel metálico.



Presione hacia abajo la manija de la canasta de preparación para trabar y perforar la tapa de papel metálico del paquete.

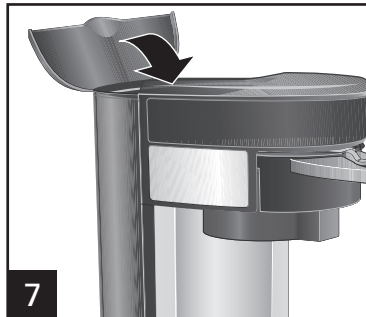
*K-Cup es una marca registrada de Keurig, Inc. El uso de la marca registrada K-Cup no implica ninguna afiliación o promoción por parte de Keurig, Inc.

Cómo Preparar un Paquete de Servicio Individual (cont.)

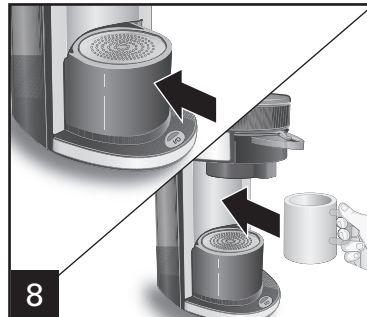


6

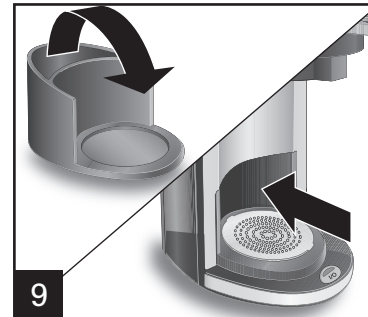
Llene el depósito con la taza o la taza de viaje en la que va a preparar el café.



7

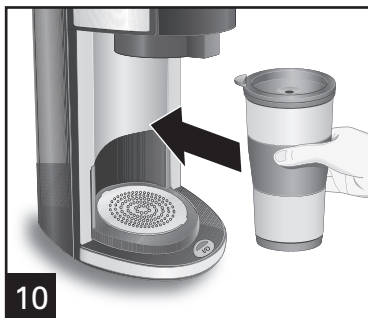


8

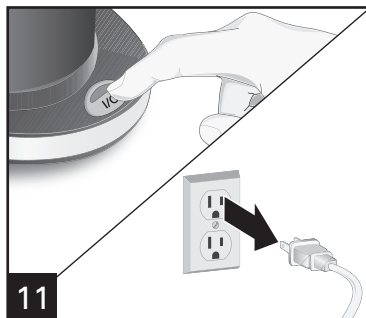


9

Utilice una posición de taza más alta para una taza más grande, como una jarra de viaje.

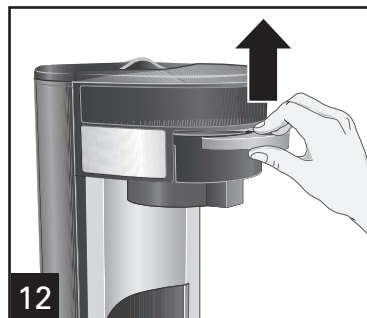


10



11

Presione el botón ENCENDIDO/APAGADO (I/O). La luz indicadora de encendido se encenderá para indicar que la cafetera está encendida.



12

Tire la manija de la canasta de preparación hacia arriba para destrabar y quitar.

La cafetera se apagará automáticamente y la luz se apagará cuando el ciclo de preparación se haya completado. Presione el botón ENCENDIDO/APAGADO (I/O) de nuevo para DETENER la preparación a mitad del ciclo.

Deje pasar 2 minutos para enfriar la unidad entre preparaciones.

La canasta de preparación y el soporte de paquete desmontable de servicio individual deben enjuagarse después de cada uso.

Cómo Preparar con Café Molido o Bolsita Suave

Esta unidad está diseñada para utilizar bolsitas individuales Melitta®¹, disponibles en la sección de café de su tienda local.

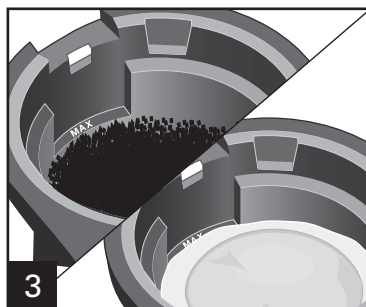
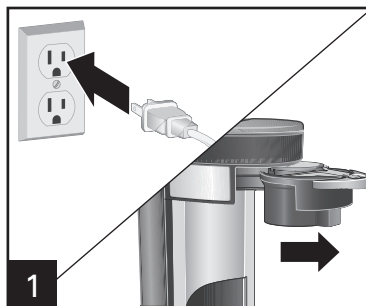
NOTA: Pueden pasar hasta 2 minutos antes de que el café preparado comience a verse en su taza o taza de viaje. El promedio de preparación total es de 4 minutos. Tenga cuidado al manipular. Para mejores resultados, deje que la cafetera se enfríe por al menos 2 minutos entre los ciclos de preparación.

⚠ ADVERTENCIA

Peligro de Quemaduras.

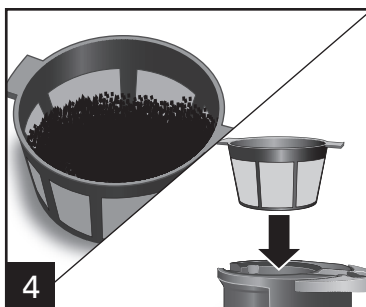
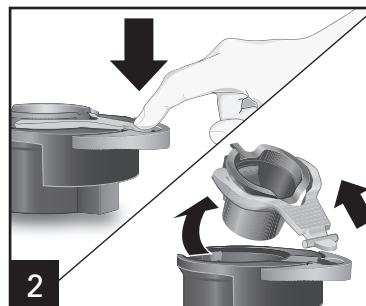
Para evitar contacto con café o agua caliente:

- No llene con agua por encima de la línea de llenado MAX (10 onzas [296 ml]).
- Llene el depósito con agua con la taza o la taza de viaje en la que preparará el café.
- Coloque la taza o la taza de viaje totalmente debajo de la canasta de preparación.
- Quite el soporte de paquete desmontable de servicio individual antes de agregar café molido a la canasta de preparación.



Agregue café molido o una bolsita a la canasta de preparación.

¡ADVERTENCIA! Peligro de Quemaduras. Para evitar los desbordes, mantenga el café molido por debajo de la línea de llenado MAX.



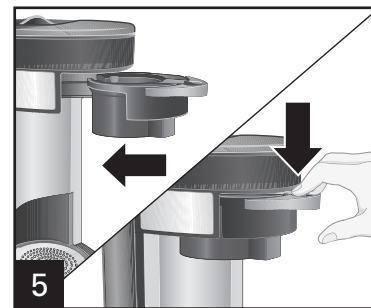
O agregue café molido fino al soporte desmontable. Coloque el soporte en la canasta de preparación. (2 cucharadas [30 ml] es la cantidad MAX de cualquier tipo de café molido). Presione hacia abajo para bloquear.

Para quitar el soporte de paquete de servicio individual, presione en la lengüeta del soporte del paquete de servicio individual; luego levántelo.

⚠ PRECAUCIÓN

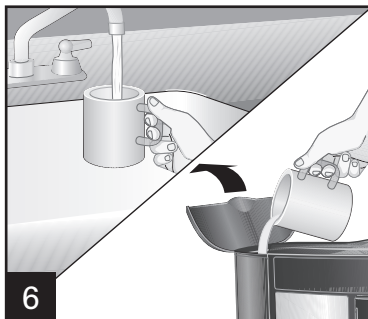
Peligro de Cortaduras:

El soporte de paquete desmontable de servicio individual tiene una hoja filosa. Tenga cuidado al manipular.



¹Melitta es una marca registrada de Melitta Haushaltsprodukte GmbH & CoKG. El uso de la marca registrada Melitta no implica ninguna afiliación o promoción por parte de Melitta Haushaltsprodukte GmbH & CoKG.

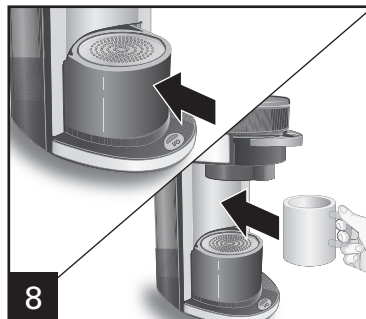
Cómo Preparar con Café Molido o Bolsita Suave (cont.)



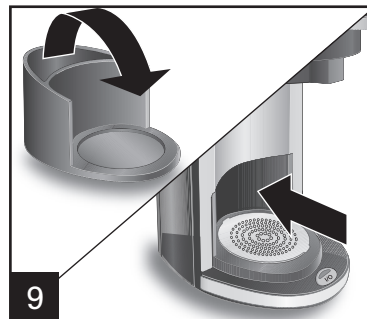
6
Llene el depósito con la taza o la taza de viaje en la que va a preparar el café.



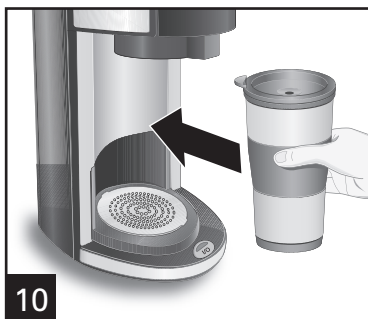
7



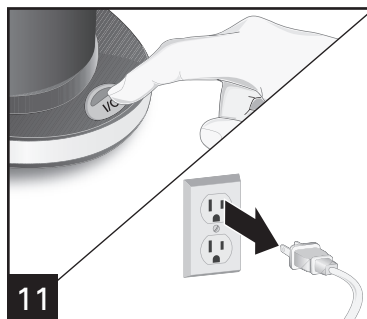
8



9
Utilice una posición de taza más alta para una taza más grande, como una jarra de viaje.



10



11

Presione el botón ENCENDIDO/APAGADO (I/O). La luz indicadora de encendido se encenderá para indicar que la cafetera está encendido.

La cafetera se apagará automáticamente y la luz se apagará cuando el ciclo de preparación se haya completado.

Si se utiliza café molido más fino, éste seguirá goteando después de que se haya apagado la luz.

Presione el botón ENCENDIDO/APAGADO (I/O) de nuevo para DETENER la preparación a mitad del ciclo.

Deje pasar 2 minutos para enfriar la unidad entre preparaciones.

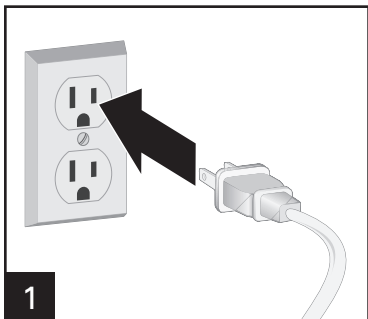
La canasta de preparación y el soporte de paquete de servicio individual deben limpiarse después de cada uso.

Cuidado y Limpieza

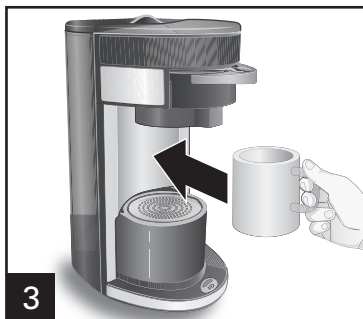
⚠ ADVERTENCIA Peligro de Descarga.

No sumerja el cable, enchufe o cafetera en ningún líquido.

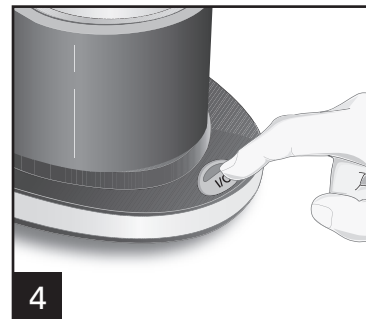
Todas las cafeteras deben limpiarse por lo menos una vez por mes (una vez por semana en áreas de agua dura).



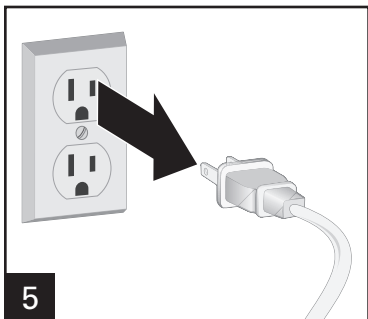
Vierta 1/2 taza (118 ml) de vinagre blanco y 1/2 taza (118 ml) de agua fría en el depósito.



Coloque una taza debajo para recoger la solución de agua/vinagre.



Presione el botón ENCENDIDO/APAGADO (I/O) una vez. Después de 30 segundos, desenchufe la unidad y deje que el vinagre realice la limpieza. Después de 30 minutos, enchufe la unidad y deje finalizar el ciclo de preparación. Cuando el ciclo de preparación haya finalizado, espere a que la unidad se enfríe. Vacíe la taza y enjuague. Repita los pasos 1-4 con 1 taza (237 ml) de agua fría de grifo en lugar de 1/2 taza (118 ml) de vinagre y 1/2 taza (118 ml) de agua.



No utilice la configuración "SANI" cuando la lave en el lavavajillas. Las temperaturas del ciclo "SANI" pueden dañar su producto.

Resolviendo Problemas

PROBLEMA	CAUSA PROBABLE/SOLUCIÓN
El café sabe mal.	<ul style="list-style-type: none">• La cafetera necesita limpiarse.• El café molido es muy grueso o muy fino. Ajuste el molino de café a molido goteo automático.• El café es de baja calidad y fresca.• El agua es de baja calidad (use agua filtrada o embotellada).
Hay agua en el mostrador debajo de la unidad.	<ul style="list-style-type: none">• Se llenó de más el depósito de agua. También verifique la taza utilizada para llenar el depósito. Algunas jarras/tazas no vierten el líquido limpiamente y pueden derramar agua por el costado de la taza o sobre el mostrador.
La cafetera no funciona.	<ul style="list-style-type: none">• Asegúrese de haber dejado pasar los 2 minutos de tiempo de enfriamiento.• Controle la presencia de agua en el depósito. Si no hay agua en el depósito y el botón de preparación se ha accionado, la unidad no efectuará la preparación.
El café se derrama de la canasta de preparación.	<ul style="list-style-type: none">• Utilice el soporte desmontable para café molido.• Utilice una menor cantidad de café molido.• Cuando utilice café en granos, un molido común para cafeteras automáticas de filtro dará el mejor resultado. Tenga cuidado de no moler los granos de más, porque un café muy fino puede provocar desbordes en esta unidad.
El café se derrama de la taza para viaje o taza común.	<ul style="list-style-type: none">• Para evitar que el café se derrame de la taza/jarra de viaje, utilice la misma taza/taza de viaje que usó para llenar el depósito de agua. No agregue más de 10 onzas (296 ml) de agua.
Queda agua en el depósito.	<ul style="list-style-type: none">• Se agregó demasiada agua. Quite el paquete de servicio individual y vuelva a colocar la canasta de preparación. Repita el ciclo de preparación.

Resolviendo Problemas (cont.)

PROBLEMA	CAUSA PROBABLE/SOLUCIÓN
Ruidos o vapor en el final del ciclo de preparación.	<ul style="list-style-type: none">• Reduzca la cantidad de agua del depósito.• Prepare un tipo diferente de paquete de servicio individual.
No sale café.	<ul style="list-style-type: none">• La boquilla de perforación está atascada con borra de café. Apague la unidad, desenchufe. Deje que el aparato se enfríe completamente. Para quitar acumulaciones de borra de café, introduzca el extremo de un gancho para papel dentro del ojo de la boquilla de penetración.
El depósito de agua se llena muy lentamente.	<ul style="list-style-type: none">• La unidad no se ha enfriado. Deje pasar 2 minutos entre preparaciones.• Trate de llenar el depósito de agua antes de presionar hacia abajo la palanca de la canasta de preparación para perforar el paquete de servicio individual. Comience el ciclo de preparación.
Se rompió el sello metálico.	<ul style="list-style-type: none">• Existe variabilidad en el proceso de fabricación de los paquetes de servicio individual, lo que provoca que algunos tipos de paquetes de servicio individual sean más débiles en las juntas. Deje enfriar por 2 minutos entre preparaciones, utilice menos agua, o pruebe una marca diferente.



Grupo HB PS, S.A. de C.V.
Monte Elbruz 124-301
Colonia Palmitas, Delegación Miguel Hidalgo
C.P. 11560, México, Distrito Federal
01 800 71 16 100

PÓLIZA DE GARANTÍA

PRODUCTO:

MARCA:

MODELO:

Grupo HB PS, S.A. de C.V. cuenta con una Red de Centros de Servicio Autorizada, por favor consulte en la lista anexa el nombre y dirección de los establecimientos en la República Mexicana en donde usted podrá hacer efectiva la garantía, obtener partes, componentes, consumibles y accesorios; así como también obtener servicio para productos fuera de garantía. Para mayor información llame sin costo: **Centro de Atención al consumidor: 01 800 71 16 100**

Grupo HB PS, S.A. de C.V. le otorga a partir de la fecha de compra:
GARANTÍA DE 1 AÑO.

COBERTURA

- Esta garantía ampara, todas las piezas y componentes del producto que resulten con defecto de fabricación incluyendo la mano de obra.
- Grupo HB PS, S.A. de C.V. se obliga a reemplazar, reparar o reponer, cualquier pieza o componente defectuoso; proporcionar la mano de obra necesaria para su diagnóstico y reparación, todo lo anterior sin costo adicional para el consumidor.
- Esta garantía incluye los gastos de transportación del producto que deriven de su cumplimiento dentro de su red de servicio.

LIMITACIONES

- Esta garantía no ampara el reemplazo de piezas deterioradas por uso o por desgaste normal, como son: cuchillas, vasos, jarras, filtros, etc.
- Grupo HB PS, S.A. de C.V. no se hace responsable por los accidentes producidos a consecuencia de una instalación eléctrica defectuosa, ausencia de toma de tierra, clavija de enchufe en mal estado, etc.

EXCEPCIONES

Esta garantía no será efectiva en los siguientes casos:

- a) Cuando el producto se hubiese utilizado en condiciones distintas a las normales. (Uso industrial, semi-industrial o comercial.)
- b) Cuando el producto no hubiese sido operado de acuerdo con el instructivo de uso.
- c) Cuando el producto hubiese sido alterado o reparado por personas no autorizadas por Grupo HB PS, S.A. de C.V. el fabricante nacional, importador o comercializador responsable respectivo.

El consumidor puede solicitar que se haga efectiva la garantía ante la propia casa comercial donde adquirió su producto, siempre y cuando Grupo HB PS, S.A. de C.V. no cuente con talleres de servicio.

PROCEDIMIENTO PARA HACER EFECTIVA LA GARANTÍA

- Para hacer efectiva la garantía no deben exigirse mayores requisitos que la presentación del producto y la póliza correspondiente, debidamente sellada por el establecimiento que lo vendió.
- Para hacer efectiva la garantía, lleve su aparato al Centro de Servicio Autorizado más cercano a su domicilio (consulte la lista anexa).
- Si no existe Centro de Servicio Autorizado en su localidad llame a nuestro Centro de Atención al Consumidor para recibir instrucciones de como hacer efectiva su garantía.
- El tiempo de reparación, en ningún caso será mayor de 30 días naturales contados a partir de la fecha de recepción del producto en nuestros Centros de Servicio Autorizados.
- En caso de que el producto haya sido reparado o sometido a mantenimiento y el mismo presente deficiencias imputables al autor de la reparación o del mantenimiento dentro de los treinta días naturales posteriores a la entrega del producto al consumidor, éste tendrá derecho a que sea reparado o mantenido de nuevo sin costo alguno. Si el plazo de la garantía es superior a los treinta días naturales, se estará a dicho plazo.
- El tiempo que duren las reparaciones efectuadas al amparo de la garantía no es computable dentro del plazo de la misma. Cuando el bien haya sido reparado se iniciará la garantía respecto de las piezas repuestas y continuará con relación al resto. En el caso de reposición del bien deberá renovarse el plazo de la garantía.

FECHA DE ENTREGA	SELLO DEL VENDEDOR	QUEJAS Y SUGERENCIAS
DÍA__ MES__ AÑO__		Si desea hacer comentarios o sugerencias con respecto a nuestro servicio o tiene alguna queja derivada de la atención recibida en alguno de nuestros Centros de Servicio Autorizados, por favor dirigirse a: GERENCIA INTERNACIONAL DE SERVICIO 01 800 71 16 100 Email: mexico.service@hamiltonbeach.com.mx

RED DE CENTROS DE SERVICIO AUTORIZADA GRUPO HB PS, S.A. DE C.V.

Distrito Federal

ELECTRODOMÉSTICOS

Av. Plutarco Elias Cailles No. 1499
 Zacahuitzco MEXICO 09490 D.F.
 Tel: 01 55 5235 2323 • Fax: 01 55 5243 1397

CASA GARCIA

Av. Patriotismo No. 875-B
 Mixcoac MEXICO 03910 D.F.
 Tel: 01 55 5563 8723 • Fax: 01 55 5615 1856

Nuevo Leon

FERNANDO SEPULVEDA REFACCIONES

Ruperto Martínez No. 238 Ote.
 Centro MONTERREY, 64000 N.L.
 Tel: 01 81 8343 6700 • Fax: 01 81 8344 0486

Jalisco

SERVICIOS DE MANTENIMIENTO CASTILLO

Garibaldi No. 1450
 Ladrón de Guevara
 GUADALAJARA 44660 Jal.
 Tel: 01 33 3825 3480 • Fax: 01 33 3826 1914

Chihuahua

DISTRIBUIDORA TURMIX

Av. Paseo Triunfo de la Rep. No. 5289 Local 2 A.
 Int. Hipermart
 Alamos de San Lorenzo
 CD. JUAREZ 32340 Chih.
 Tel: 01 656 617 8030 • Fax: 01 656 617 8030

<p>Modelo: 49962, 49963, 49995R, 49995RC, 49999A</p>	<p>Tipo: A93</p>	<p>Características Eléctricas: 120V~ 60Hz 600W</p>
<p align="center">Los modelos incluidos en el instructivo de Uso y Cuidado pueden ir seguidos o no por un sufijo correspondiente a una o varias letras del alfabeto y sus combinaciones, separadas o no por un espacio, coma, diagonal, o guión. Como ejemplos los sufijos pueden ser: "Y" y/o "MX" y/o "MXY" y/o "Z".</p>		