

**READ BEFORE USE
LIRE AVANT UTILISATION
LEA ANTES DE USAR**

Visit www.hamiltonbeach.com for our complete line of products and Use and Care Guides – as well as delicious recipes, tips, and to register your product online!

Rendez-vous sur www.hamiltonbeach.ca pour notre liste complète de produits et de nos manuels utilisateur – ainsi que nos délicieuses recettes et nos conseils !

¡Visite www.hamiltonbeach.com (EE. UU.) o www.hamiltonbeach.com.mx (México) para ver otros productos de Hamilton Beach o para contactarnos!

Questions?

Please call us – our friendly associates are ready to help.
USA: 1.800.851.8900

Questions ?

N'hésitez pas à nous appeler – nos associés s'empresseront de vous aider.
CAN : 1.800.267.2826

¿Preguntas?

Por favor llámenos – nuestros amables representantes están listos para ayudar.

EE. UU.: 1.800.851.8900

MEX: 01 800 71 16 100

Le invitamos a leer cuidadosamente este instructivo antes de usar su aparato.

Hamilton Beach®



FlexBrew® Single-Serve Coffeemaker Cafetière 1 tasse Cafetera para Servicio Individual

English	2
Français.....	13
Español	25

IMPORTANT SAFEGUARDS

When using electrical appliances, basic safety precautions should always be followed to reduce the risk of fire, electric shock, and/or injury to persons, including the following:

1. Read all instructions.
2. This appliance is not intended for use by persons (including children) with reduced physical, sensory, or mental capabilities, or lack of experience and knowledge, unless they are closely supervised and instructed concerning use of the appliance by a person responsible for their safety.
3. Close supervision is necessary when any appliance is used by or near children. Children should be supervised to ensure that they do not play with the appliance.
4. Do not touch hot surfaces. Use handles or knobs. Care must be taken, as burns can occur from touching hot parts or from spilled, hot liquid.
5. To protect against electric shock, do not place cord, plug, or coffeemaker in water or other liquid.
6. Unplug from outlet when the coffeemaker is not in use and before cleaning. Allow to cool before putting on or taking off parts and before cleaning the appliance.
7. Coffeemaker must be operated on a flat surface away from the edge of counter to prevent accidental tipping.
8. Do not operate any appliance with a damaged cord or plug, or after the appliance malfunctions or has been damaged in any manner. Call our toll-free customer service number for information on examination, repair, or adjustment.
9. The use of accessory attachments not recommended by the appliance manufacturer may cause injuries.
10. Do not use outdoors.
11. Do not let cord hang over edge of table or counter or touch hot surfaces, including stove.
12. Do not place on or near a hot gas or electric burner, or in a heated oven.
13. **WARNING:** To avoid hot water spraying from the piercing needle, do not lift the lid during the brew process.
14. Do not use appliance for other than intended use.
15. **WARNING:** To reduce the risk of fire or electric shock, do not remove the bottom cover of the coffeemaker. There are no user-serviceable parts inside. Repair should be done by authorized service personnel only.
16. **CAUTION!** Cut Hazard: Removable single-serve pack holder contains a sharp blade. Use caution when handling.
17. **CAUTION!** Cut Hazard: Piercing needle is sharp. Use caution when cleaning.

SAVE THESE INSTRUCTIONS!

Other Consumer Safety Information

This appliance is intended for household use only.

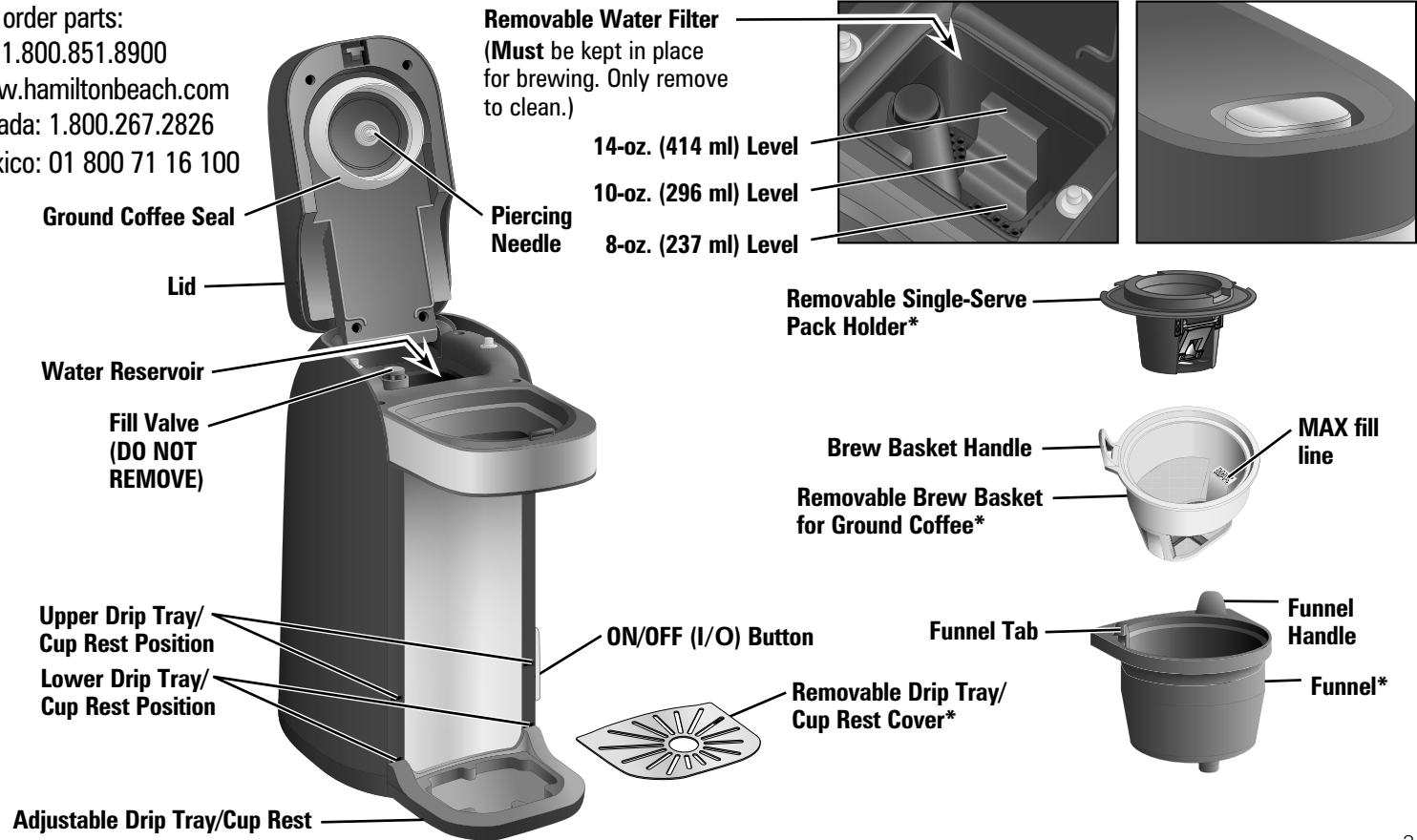
⚠ WARNING Electrical Shock Hazard: This product is provided with a polarized plug (one wide blade) to reduce the risk of electric shock. The plug fits only one way into a polarized outlet. Do not defeat the safety purpose of the plug by modifying the plug in any way or by using an adapter. If the plug does not fit fully into the outlet, reverse the plug. If it still does not fit, have an electrician replace the outlet.

The length of the cord used on this appliance was selected to reduce the hazards of becoming tangled in or tripping over a longer cord. If a longer cord is necessary, an approved extension cord may be used. The electrical rating of the extension cord must be equal to or greater than the rating of the appliance. Care must be taken to arrange the extension cord so that it will not drape over the countertop or tabletop where it can be pulled on by children or accidentally tripped over.

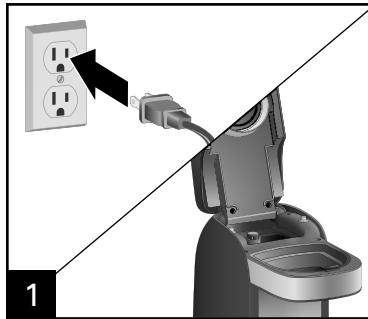
To avoid an electrical circuit overload, do not use another high-wattage appliance on the same circuit with this appliance.

Parts and Features

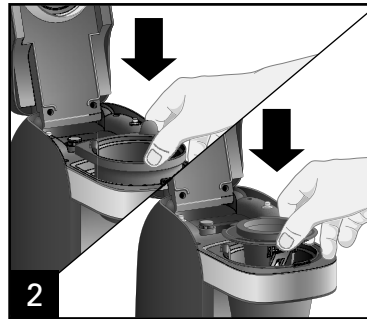
*To order parts:
 US: 1.800.851.8900
www.hamiltonbeach.com
 Canada: 1.800.267.2826
 Mexico: 01 800 71 16 100



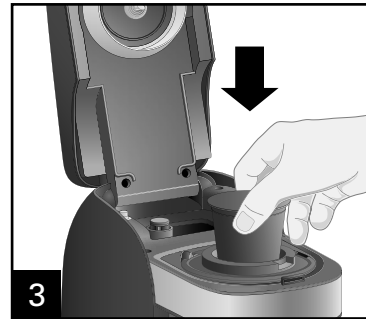
How to Brew a Single-Serve Pack



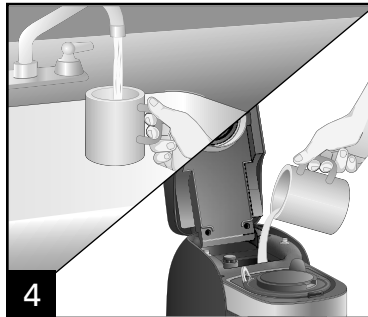
1 To open lid, press button and lift.



2

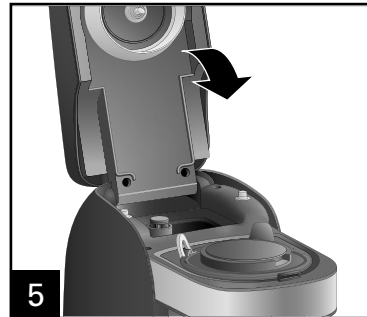


3 Place a pack into the single-serve pack holder. Do not remove foil.

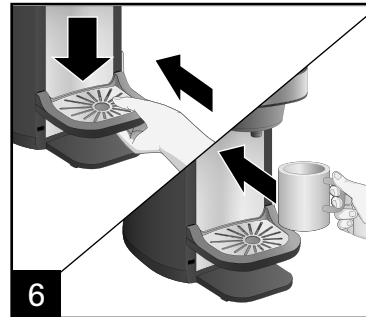


4 Fill reservoir with cup or travel mug into which the coffee will be brewed. 10 oz. of water is the MAX amount for single-serve packs.

4



5 Lower lid until you hear a click sound. This means your lid is locked in place.



6 To adjust drip tray/cup rest: Slide into openings for the position you want and push down to lock into place.

⚠ WARNING Burn Hazard.

To avoid contact with hot coffee or water:

- Do not fill water above 10-oz. (296 ml) fill line.
- Fill reservoir with cup or travel mug of water into which the coffee will be brewed.
- Fully insert cup or travel mug on drip tray.
- Do not lift lid during the brewing process.

⚠ CAUTION Cut Hazard.

Removable single-serve pack holder has a sharp blade. Piercing needle on underside of lid also is sharp. Use caution when handling.

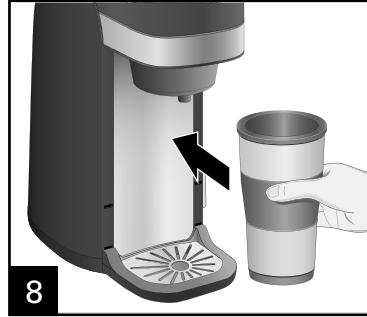
NOTES:

- Use only cold water in reservoir.
- Do not use hot water.
- Do not reheat coffee in the machine.
- Do not use creamer or nondairy creamer in reservoir.
- After brewing hot cocoa single-serve packs, brew a water-only cycle without a single-serve pack to avoid the possibility of clogging the piercing needle.

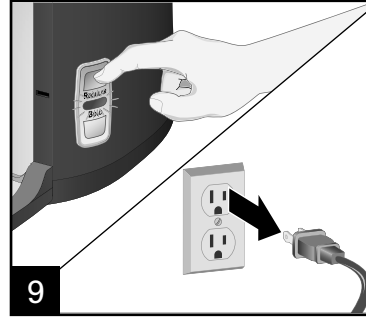
How to Brew a Single-Serve Pack (cont.)



7 Use the lower cup position for a larger cup, such as a travel mug.

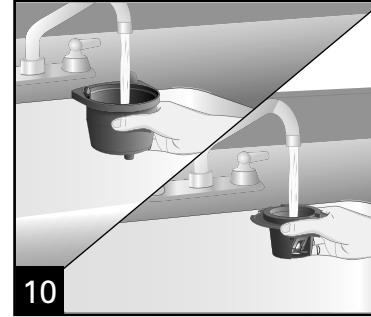


8



9

Press **REGULAR** or **BOLD** button to start brewing. The power ON indicator light will light up blue to show that the coffeemaker is on. The coffeemaker will shut off automatically when brewing is complete.



10

Funnel and single-serve pack holder should be rinsed after every use.

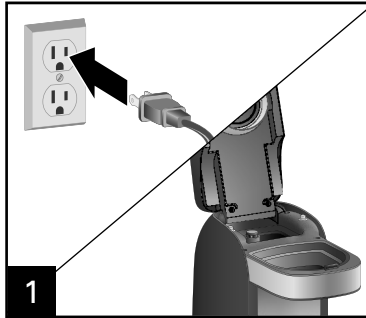
⚠ WARNING Burn Hazard.

If brew process is stopped early, the water must be drained from the unit. Place a large mug on drip tray/cup rest. Press the **REGULAR** button. Failure to drain the unit can cause the next cup brewed to overflow.

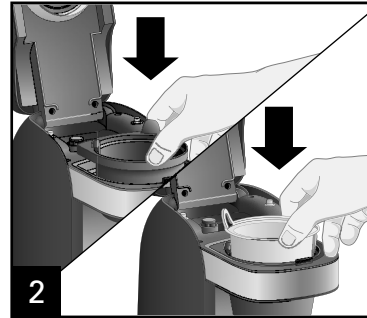
NOTES:

- Coffeemaker brews all the water added.
- Press the **REGULAR** or **BOLD** button again to STOP brewing midcycle.
- Press the **REGULAR** button to remove any remaining water from the water reservoir.

How to Brew Ground Coffee



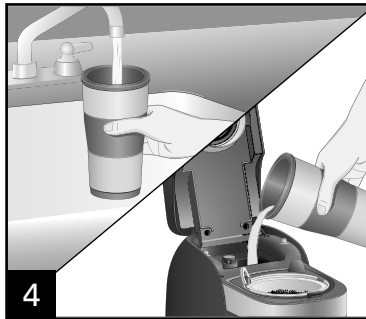
1 To open lid, press button and lift.



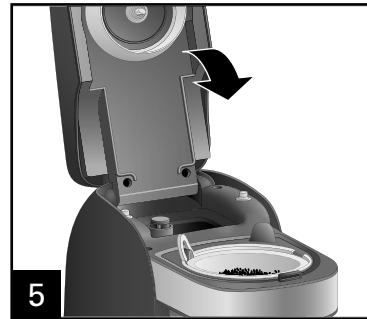
2 Place brew basket in funnel, aligning brew basket handle with funnel tab.



3 Add ground coffee to brew basket. (3 Tablespoons [44 ml] is the MAX amount of any type of grounds.)



4 Fill reservoir with cup or travel mug into which the coffee will be brewed.



5 Lower lid until you hear a click sound. This means your lid is locked in place.

⚠ WARNING Burn Hazard.

To avoid contact with hot coffee or water:

- Do not fill water above MAX fill line (14 ounces [414 ml]).
- Fill reservoir with cup or travel mug of water into which the coffee will be brewed.
- Fully insert cup or travel mug under funnel.
- Remove single-serve pack holder before adding coffee grounds to brew basket.
- Do not lift lid during the brewing process.

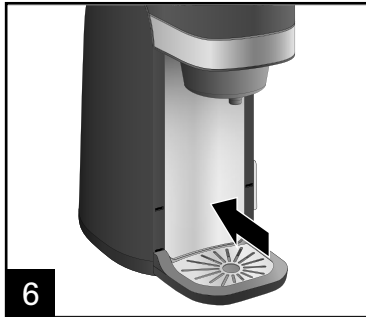
⚠ CAUTION Cut Hazard.

Piercing needle on underside of lid is sharp. Use caution when handling.

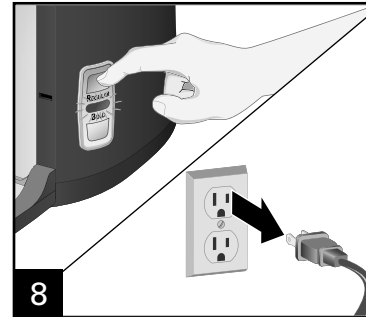
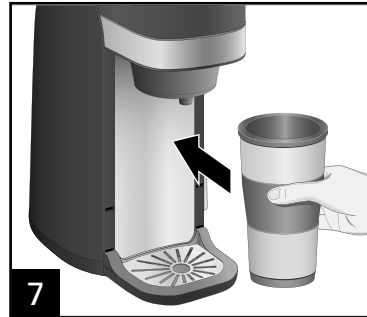
NOTES:

- Use only cold water in reservoir.
- Do not use hot water.
- Do not reheat coffee in the machine.
- Do not use creamer or nondairy creamer in reservoir.
- Do not use hot cocoa powder or mix in the brew basket.

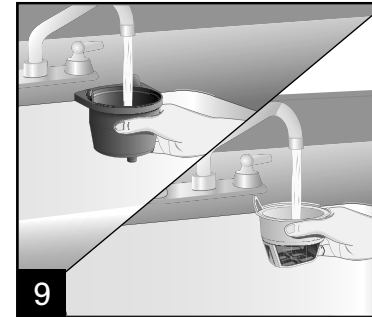
How to Brew Ground Coffee (cont.)



Use the lower cup position for a larger cup, such as a travel mug.



Press **REGULAR** or **BOLD** button to start brewing. The power ON indicator light will light up blue to show that the coffeemaker is on. The coffeemaker will shut off automatically when brewing is complete.



Funnel and brew basket should be rinsed after every use.

⚠ WARNING Burn Hazard.

If brew process is stopped early, the water must be drained from the unit. Place a large mug on drip tray/cup rest. Press the **REGULAR** button. Failure to drain the unit can cause the next cup brewed to overflow.

NOTES:

- Coffeemaker brews all the water added.
- If finer ground coffee is used, coffee will continue to drip after the blue light has gone off.
- Press the **REGULAR** or **BOLD** button again to STOP brewing midcycle.

Care and Cleaning

All coffeemakers should be cleaned at least once a month (once a week for areas with hard water).

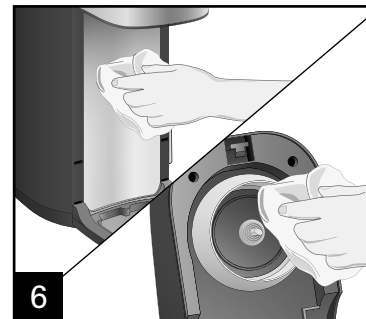
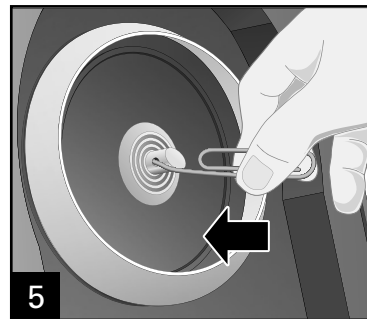
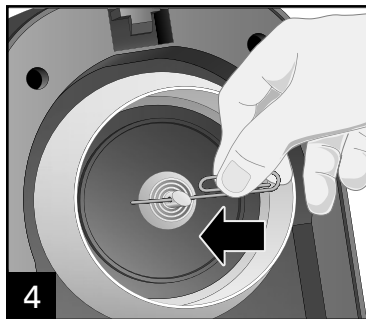
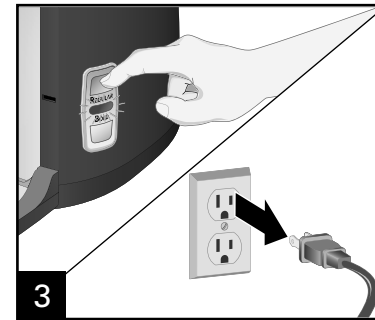
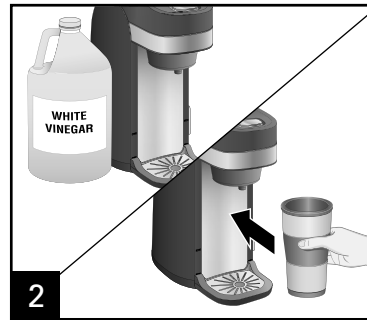
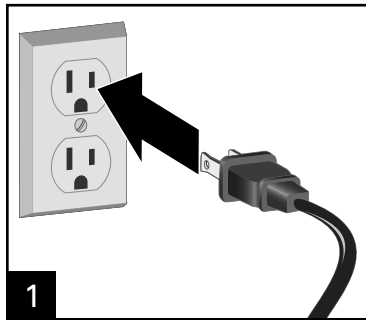
⚠ WARNING Shock Hazard.

Do not immerse cord, plug, or coffeemaker in any liquid.

⚠ CAUTION Cut Hazard.

Removable single-serve pack holder has a sharp blade. Piercing needle on underside of lid also is sharp. Use caution when handling.

Pour 3/4 cup (177 ml) of plain white vinegar and 3/4 cup (177 ml) of cold water into reservoir. Place a 14-oz. (414 ml) cup or travel mug underneath to catch the water/vinegar solution. Press the **REGULAR** or **BOLD** button once. After 30 seconds, unplug unit and allow vinegar to clean. After 30 minutes, plug in unit. Press **REGULAR** button and allow it to finish the brew cycle. When brew cycle is finished, wait for unit to cool. Empty cup and rinse. Run 2 to 3 cycles of cold tap water. The unit is cleaned and ready to make coffee.



Routine Cleaning of the Needle: The needle is located in the lid of the coffeemaker. Bend a small paper clip as shown; insert the tip of the paper clip through the hole/eye of the needle and up into the needle to ensure grounds have been removed. Brew 2 or 3 times with cold water to make sure grounds have been removed from the piercing needle.

DO NOT use the "SANI" setting when washing in the dishwasher. "SANI" cycle temperatures could damage your product.

Troubleshooting

PROBLEM	PROBABLE CAUSE/SOLUTION
Coffee tastes bad.	<ul style="list-style-type: none"> • Coffeemaker needs cleaning. • Coffee ground too coarsely or too finely. Set coffee grinder to automatic drip grind. • Poor coffee quality and freshness. • Poor water quality (use filtered or bottled water).
Water on counter under unit.	<ul style="list-style-type: none"> • Overfilled water reservoir. Do not add more than 14 ounces (414 ml) of water to the removable water filter. Some mugs/cups do not pour cleanly and can dribble water down the side of the cup and onto the counter.
Coffeemaker will not brew.	<ul style="list-style-type: none"> • The piercing needle may be clogged. Clean piercing needle in the lid of the coffeemaker as shown on page 8.
Coffee overflows from brew basket.	<ul style="list-style-type: none"> • Use removable brew basket for ground coffee. 3 Tablespoons (44 ml) is the maximum amount of grounds to brew. • Use a lesser amount of ground coffee. • When using whole bean coffee, a standard automatic drip coffee grind will yield best results. Be careful not to overgrind, since very finely ground coffee can cause overflow. • Use the BOLD cycle.
Coffee overflows from mug or travel mug.	<ul style="list-style-type: none"> • To prevent coffee overflowing from a mug/travel mug, use the same mug/travel mug to brew into that was used to fill the water reservoir. Do not add more than 14 ounces (414 ml) of water. There may also be additional water in the system that is causing the overflow. Remove brew basket or single-serve pack holder. Press the REGULAR button to remove any remaining water.
Water remaining in reservoir.	<ul style="list-style-type: none"> • Added too much water. Place cup or travel mug on drip tray. Remove single-serve pack and replace brew basket. Repeat brewing cycle. Press the REGULAR button to remove any remaining water.
Blinking light.	<ul style="list-style-type: none"> • No water in unit. Follow the “How to Brew a Single-Serve Pack” directions on page 4 or the “How to Brew Ground Coffee” directions on page 6.

Troubleshooting (cont.)

PROBLEM	PROBABLE CAUSE/SOLUTION
Coffee not dispensing.	<ul style="list-style-type: none">• Piercing needle is clogged with coffee grounds. Turn unit off; unplug. Allow unit to cool completely. To remove any built-up coffee grounds, insert end of bent paper clip into eye and up into the piercing needle.
Failed foil seal.	<ul style="list-style-type: none">• There is variability in the single-serve pack manufacturing process which causes some types of single-serve packs to be weaker at the seams. Try a different brand.

Notes

Limited Warranty

This warranty applies to products purchased and used in the U.S. and Canada. This is the only express warranty for this product and is in lieu of any other warranty or condition.

This product is warranted to be free from defects in material and workmanship for a period of five (5) years from the date of original purchase in Canada and one (1) year from the date of original purchase in the U.S. During this period, your exclusive remedy is repair or replacement of this product or any component found to be defective, at our option; however, you are responsible for all costs associated with returning the product to us and our returning a product or component under this warranty to you. If the product or component is no longer available, we will replace with a similar one of equal or greater value.

This warranty does not cover glass, filters, wear from normal use, use not in conformity with the printed directions, or damage to the product resulting from accident, alteration, abuse, or misuse. This warranty extends only to the original consumer purchaser or gift recipient. Keep the original sales receipt, as proof of purchase is required to make a warranty claim. This warranty is void if the product is used for other than single-family household use or subjected to any voltage and waveform other than as specified on the rating label (e.g., 120V ~ 60 Hz).

We exclude all claims for special, incidental, and consequential damages caused by breach of express or implied warranty. All liability is limited to the amount of the purchase price. **Every implied warranty, including any statutory warranty or condition of merchantability or fitness for a particular purpose, is disclaimed except to the extent prohibited by law, in which case such warranty or condition is limited to the duration of this written warranty.** This warranty gives you specific legal rights. You may have other legal rights that vary depending on where you live. Some states or provinces do not allow limitations on implied warranties or special, incidental, or consequential damages, so the foregoing limitations may not apply to you.

To make a warranty claim, do not return this appliance to the store. Please call 1.800.851.8900 in the U.S. or 1.800.267.2826 in Canada or visit hamiltonbeach.com in the U.S. or hamiltonbeach.ca in Canada. For faster service, locate the model, type, and series numbers on your appliance.

PRÉCAUTIONS IMPORTANTES

Pour utiliser un appareil électroménager, vous devez toujours prendre des mesures élémentaires de sécurité pour réduire le risque d'incendie, d'électrocution et/ou de blessure corporelle, en particulier les mesures suivantes

1. Lire toutes les instructions.
2. Cet appareil n'est pas destiné à être utilisé par des personnes (y compris les enfants) dont les capacités physiques, sensorielles ou mentales sont réduites, ou manquant d'expérience et de connaissance, sauf si elles sont étroitement surveillées et instruites sur l'utilisation de l'appareil par une personne responsable de leur sécurité.
3. Une surveillance étroite est requise pour tout appareil utilisé par ou près des enfants. Surveiller que les enfants ne jouent pas avec l'appareil.
4. Ne pas toucher les surfaces chaudes. Utiliser les poignées ou les boutons. La prudence s'impose car des brûlures peuvent survenir si on touche des pièces chaudes ou si on renverse des liquides chauds.
5. Pour protéger contre le choc électrique, ne pas placer le cordon, la fiche ou la cafetière dans l'eau ou autre liquide.
6. Débrancher l'appareil de la prise de courant lorsque la cafetière n'est pas utilisée et avant le nettoyage. Laisser refroidir l'appareil avant de placer ou de retirer des pièces, et avant de le nettoyer.
7. La cafetière doit être utilisée sur une surface droite loin du bord du comptoir, pour empêcher le basculement accidentel.
8. Ne pas faire fonctionner un appareil avec un cordon ou une fiche endommagé, ou lorsque l'appareil ne fonctionne pas bien ou a été endommagé d'une manière quelconque. Appeler notre numéro sans frais de service à la clientèle pour des renseignements concernant l'examen, la réparation ou l'ajustement.
9. L'utilisation d'accessoires non recommandés par le fabricant d'électroménagers peut causer des blessures.
10. Ne pas utiliser à l'extérieur.
11. Ne pas laisser le cordon pendre par dessus le bord d'une table ou d'un comptoir, ou toucher des surfaces chaudes, y compris la cuisinière.
12. Ne placez jamais votre appareil sur ou à proximité d'un brûleur électrique ou à gaz chaud, ou dans un four chauffé.
13. **AVERTISSEMENT** : Ne pas ouvrir le couvercle pendant le cycle d'infusion pour éviter la distribution d'eau chaude par le perforateur.
14. Ne pas utiliser cet appareil pour un autre usage que celui auquel il est destiné.
15. **AVERTISSEMENT** : Pour réduire le risque d'incendie ou de choc électrique, ne pas enlever le dessous de la cafetière. Aucune pièce à l'intérieur n'est réparable par l'utilisateur. Les réparations doivent être faites par du personnel d'entretien autorisé seulement.
16. **MISE EN GARDE !** Risque de coupures. Le support amovible de la dosette 1 tasse contient une lame coupante. Manipuler avec soin.
17. **MISE EN GARDE !** Risque de coupures. Le perforateur est coupant. Être prudent lors du nettoyage.

CONSERVER CES INSTRUCTIONS !

Autres renseignements relatifs à la sécurité du consommateur

Cet appareil est destiné à un usage domestique uniquement.

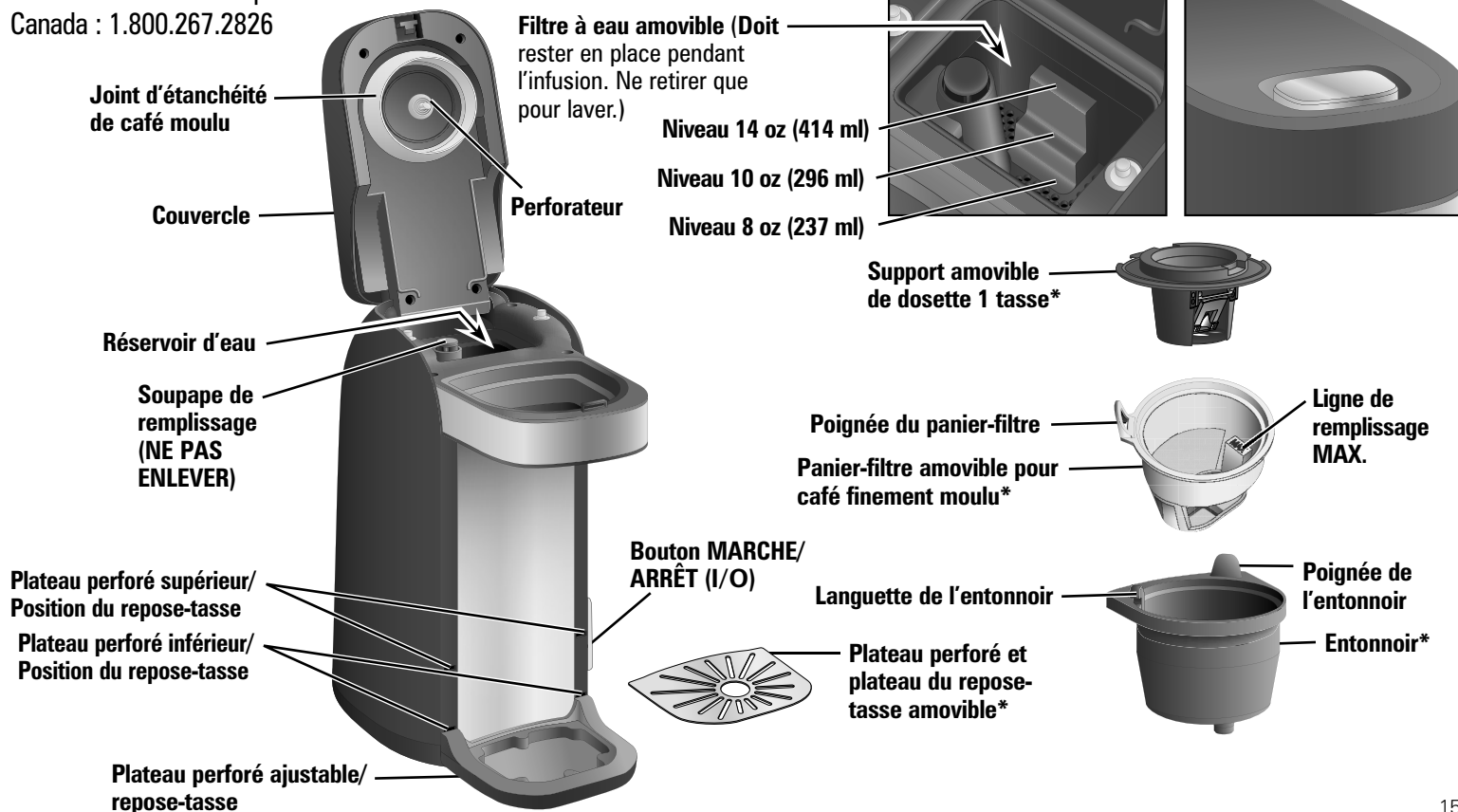
⚠ AVERTISSEMENT **Risque de choc électrique** : Ce produit est fourni avec une fiche polarisée (une broche large) pour réduire le risque d'électrocution. Cette fiche n'entre que dans un seul sens dans une prise polarisée. Ne contrecarrez pas l'objectif sécuritaire de cette fiche en la modifiant de quelque manière que ce soit ou en utilisant un adaptateur. Si vous ne pouvez pas insérer complètement la fiche dans la prise, inversez la fiche. Si elle refuse toujours de s'insérer, faire remplacer la prise par un électricien.

La longueur du cordon installé sur cet appareil a été sélectionnée afin de réduire les risques d'enchevêtrement ou de faux pas causés par un fil trop long. L'utilisation d'une rallonge approuvée est permise si le cordon est trop court. Les caractéristiques électriques de la rallonge doivent être équivalentes ou supérieures aux caractéristiques de l'appareil. Prendre toutes les précautions nécessaires pour installer la rallonge de manière à ne pas la faire courir sur le comptoir ou sur une table pour éviter qu'un enfant ne tire sur le cordon ou trébuche accidentellement.

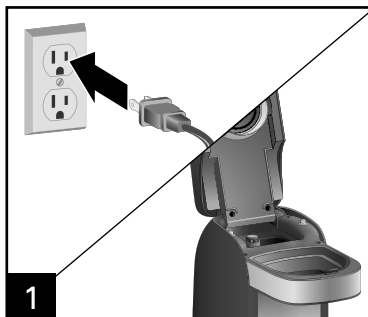
Afin d'éviter une surcharge électrique, évitez d'utiliser un autre appareil à haute puissance sur le même circuit que la cafetière.

Pièces et caractéristiques

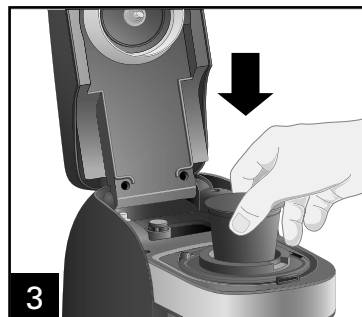
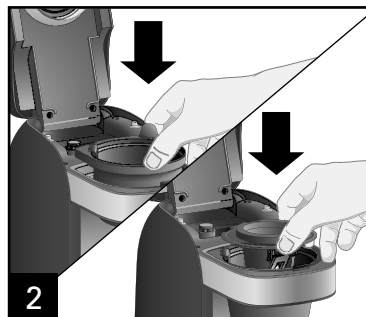
*Pour commander des pièces :
Canada : 1.800.267.2826



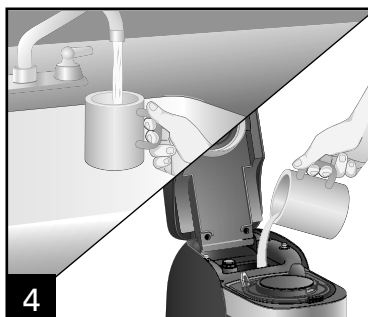
Comment infuser la dosette 1 tasse



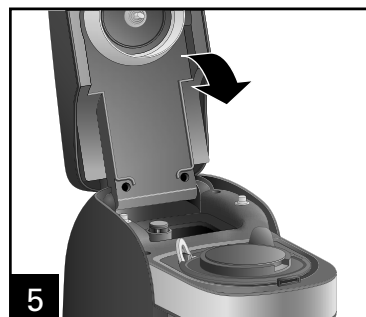
1 Pour ouvrir le couvercle, appuyer sur le bouton et soulever.



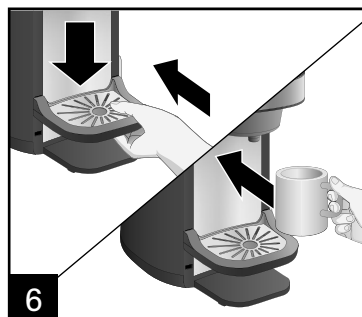
3 Placer une dosette dans le support amovible pour dosette 1 tasse. Ne pas enlever la feuille métallique.



4 Remplir le réservoir avec la tasse ou le gobelet à emporter dans lequel sera infusé le café. Une quantité maximale d'eau de 10 oz (296 ml) est nécessaire pour les dosettes 1 tasse.



5 Abaisser le couvercle jusqu'à ce qu'un clic se fasse entendre. Ceci indique que le couvercle est verrouillé.



6 Pour ajuster le plateau perforé/ repose-tasse : Glisser le plateau dans les ouvertures à la position désirée et enfoncer pour bloquer en place.

⚠ AVERTISSEMENT Risque de brûlure. Pour éviter tout contact avec le café ou l'eau brûlant :

- Ne pas remplir au-delà de la ligne de remplissage 10 oz (296 ml).
- Remplir le réservoir d'eau avec la tasse ou le gobelet à emporter dans laquelle sera infusé le café.
- Insérer complètement la tasse ou le gobelet à emporter sur le plateau perforé.
- Ne pas soulever le couvercle pendant le cycle d'infusion.

⚠ MISE EN GARDE Risque de coupures.

Le support amovible de la dosette 1 tasse contient une lame coupante. Le perforateur sous le couvercle est également coupant. Manipuler avec soin.

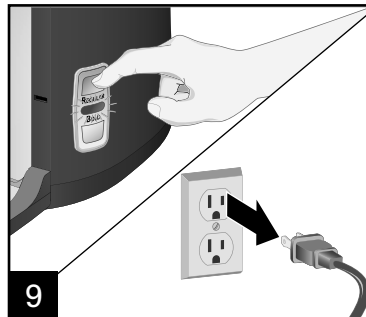
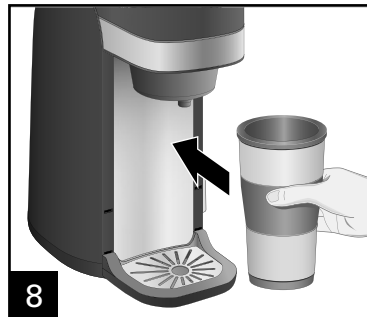
NOTES:

- Verser seulement de l'eau froide dans le réservoir.
- Ne pas utiliser d'eau chaude.
- Ne pas faire réchauffer le café dans la cafetière.
- Ne pas verser de crème ou de produit laitier dans le réservoir.
- Après avoir infusé une dosette 1 tasse de chocolat chaud, effectuer un cycle d'infusion avec de l'eau sans insérer de dosette pour éviter d'obstruer le perforateur.

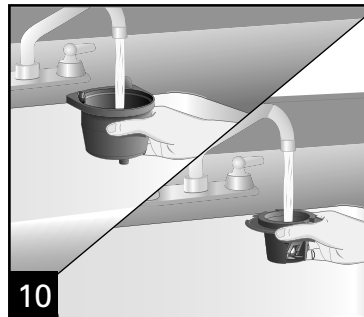
Comment infuser la dosette 1 tasse (suite)



7 Utiliser la position la plus basse pour une plus grande tasse, comme un gobelet à emporter.



9 Appuyer sur le bouton **REGULAR** (régulier) ou **BOLD** (corsé) pour démarrer le cycle d'infusion. Le voyant d'alimentation s'allumera en bleu pour indiquer que la cafetière est en marche. La cafetière s'éteindra automatiquement dès que le cycle d'infusion est terminé.



10 L'entonnoir et le support de dosette 1 tasse doivent être rincés après chaque utilisation.

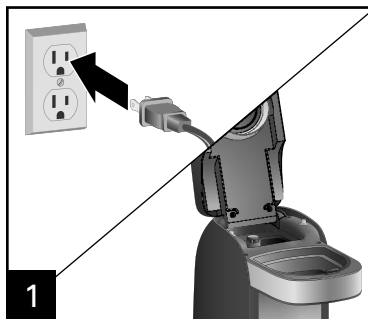
⚠ AVERTISSEMENT Risque de brûlure.

Si le cycle d'infusion est interrompu avant la fin, l'eau résiduelle doit être vidée de la cafetière. Placer une grande tasse sur le plateau perforé/repose-tasse. Appuyer sur le bouton **REGULAR** (régulier). Ne pas vider l'eau de la cafetière peut provoquer un débordement lors du prochain cycle d'infusion.

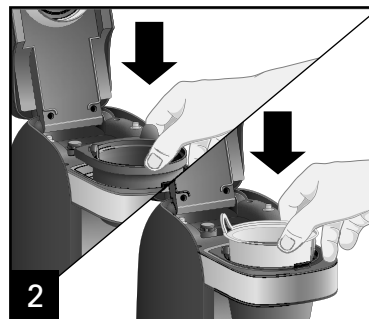
NOTES:

- La cafetière infusera toute l'eau ajoutée.
- Appuyer à nouveau sur le bouton **REGULAR** (régulier) ou **BOLD** (corsé) pour interrompre l'infusion à la moitié du cycle.
- Appuyer le bouton **REGULAR** (régulier) pour vider toute l'eau résiduelle du réservoir.

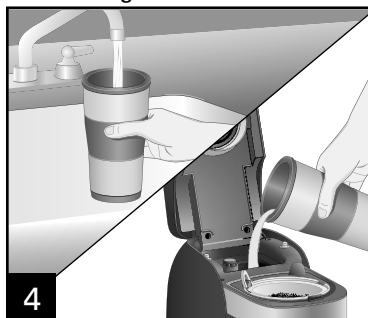
Comment infuser le café moulu



Pour ouvrir le couvercle, appuyer sur le bouton et soulever. Placer le panier-filtre dans l'entonnoir en alignant la poignée du panier-filtre avec la languette de l'entonnoir.



Ajouter le café moulu dans le panier-filtre. (3 c. à table [44 ml] est la quantité maximale pour toutes les moutures de café.)



Remplir le réservoir avec la tasse ou le gobelet à emporter dans lequel sera infusé le café.



Abaisser le couvercle jusqu'à ce qu'un clic se fasse entendre. Ceci indique que le couvercle est verrouillé.

⚠ AVERTISSEMENT Risque de brûlure. Pour éviter tout contact avec le café ou l'eau brûlant :

- Ne pas remplir au-delà de la ligne de remplissage MAX (14 onces [414 ml]).
- Remplir le réservoir d'eau avec la tasse ou le gobelet à emporter dans laquelle sera infusé le café.
- Insérer complètement la tasse ou le gobelet sous l'entonnoir.
- Retirer le support de la dosette 1 tasse avant d'ajouter du café moulu dans le panier-filtre.
- Ne pas soulever le couvercle pendant le cycle d'infusion.

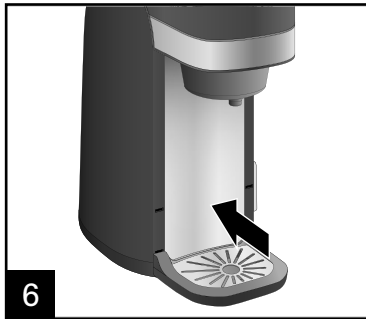
⚠ MISE EN GARDE Risque de coupures.

Le perforateur sous le couvercle est également coupant. Manipuler avec soin.

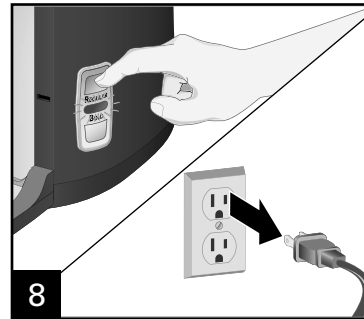
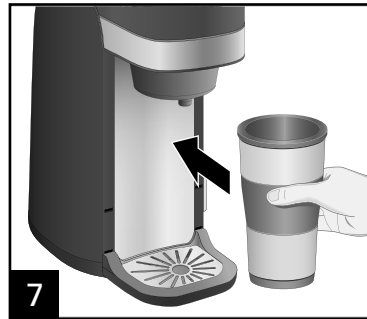
NOTES:

- Verser seulement de l'eau froide dans le réservoir.
- Ne pas utiliser d'eau chaude.
- Ne pas faire réchauffer le café dans la cafetière.
- Ne pas verser de crème ou de produit laitier dans le réservoir.
- Ne pas verser ou mélanger de poudre pour chocolat chaud dans le panier-filtre.

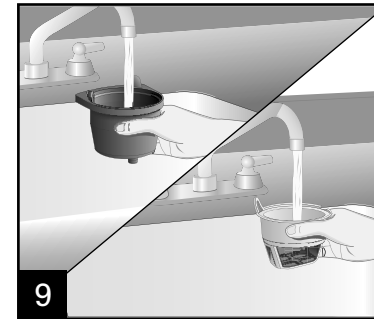
Comment infuser le café moulu (suite)



Utiliser la position la plus basse pour une plus grande tasse, comme un gobelet à emporter.



Appuyer sur le bouton **REGULAR** (régulier) ou **BOLD** (corsé) pour démarrer le cycle d'infusion. Le voyant d'alimentation s'allumera en bleu pour indiquer que la cafetière est en marche. La cafetière s'éteindra automatiquement dès que le cycle d'infusion est terminé.



L'entonnoir et le support de dosette 1 tasse doivent être rincés après chaque utilisation.

⚠ AVERTISSEMENT Risque de brûlure.

Si le cycle d'infusion est interrompu avant la fin, l'eau résiduelle doit être vidée de la cafetière. Placer une grande tasse sur le plateau perforé/repose-tasse. Appuyer sur le bouton **REGULAR** (régulier). Ne pas vider l'eau de la cafetière peut provoquer un débordement lors du prochain cycle d'infusion.

NOTES:

- La cafetière infusera toute l'eau ajoutée.
- Si l'on utilise une mouture de café plus fine, le café continuera de couler même si le témoin bleu est éteint.
- Appuyer à nouveau sur le bouton **REGULAR** (régulier) ou **BOLD** (corsé) pour interrompre l'infusion à la moitié du cycle.

Entretien et nettoyage

Toutes les cafetières doivent être nettoyées au moins une fois par mois (une fois par semaine pour les zones à eau calcaire).

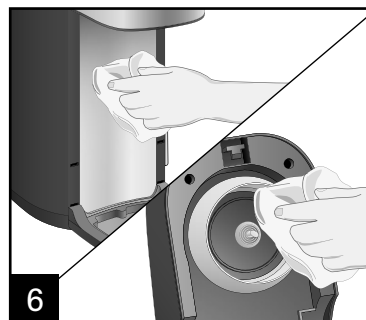
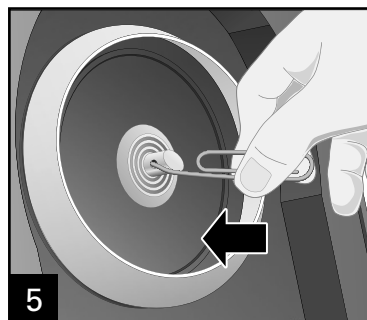
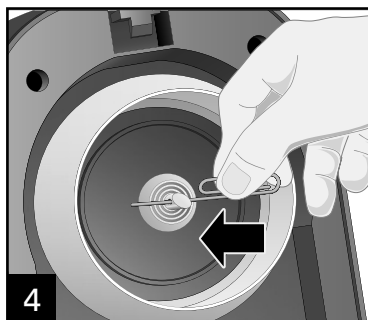
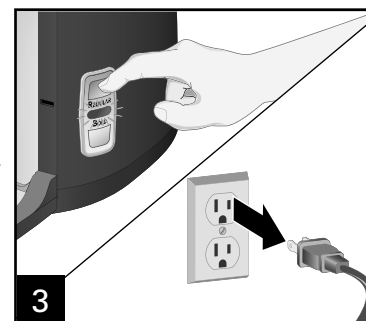
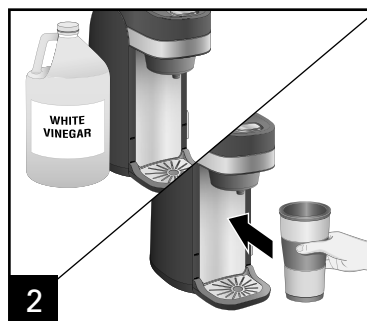
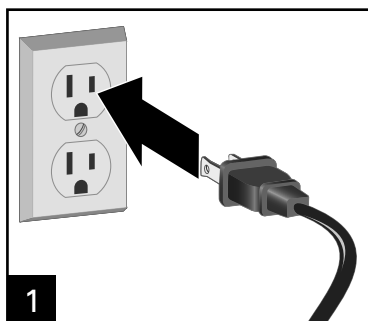
⚠ **AVERTISSEMENT** Risque d'électrocution.

Ne pas immerger le cordon, la fiche ou la cafetière dans aucun liquide.

⚠ **MISE EN GARDE** Risque de coupures.

Le support amovible de la dosette 1 tasse contient une lame coupante. Le perforateur sous le couvercle est également coupant. Manipuler avec soin.

Verser 3/4 tasse (177 ml) de vinaigre blanc ordinaire et de mise en 3/4 tasse (177 ml) d'eau froide dans le réservoir. Placer une tasse ou un gobelet à emporter de 14 oz (414 ml) sous le distributeur pour recueillir la solution d'eau et de vinaigre. Appuyer une fois sur le bouton **REGULAR** or **BOLD**. Au bout de 30 secondes, débrancher la cafetière et laisser le vinaigre agir. Au bout de 30 minutes, brancher la cafetière. Appuyer sur le bouton **REGULAR** et laisser-la finir le cycle d'infusion. Lorsque le cycle d'infusion est terminé, attendre que la cafetière refroidisse. Vider la tasse et rincer-la. Faire 2 ou 3 cycles d'infusion avec de l'eau froide du robinet. La cafetière est propre et prête pour la prochaine infusion.



Nettoyage périodique du perforateur : Le perforateur est situé sous le couvercle de la cafetière. Plier un petit trombone comme illustré et insérer la pointe du trombone dans l'orifice et vers le haut du perforateur et vers le haut pour s'assurer que tout le café moulu est retiré. Faire 2 ou 3 cycles d'infusion avec de l'eau froide pour s'assurer que le perforateur ne contient plus de grains de café.

20

NE PAS utiliser le réglage "SANI" du lave-vaisselle. Les températures du cycle "SANI" peuvent endommager le produit.

Dépannage

PROBLÈME

CAUSE PROBABLE/SOLUTION

Le café a un mauvais goût.

- La cafetière a besoin d'être nettoyée.
- La mouture du café est trop grossière ou trop fine. Régler le moulin à café sur café moulu pour cafetière automatique.
- La qualité et la fraîcheur du café laissent à désirer.
- L'eau est de piètre qualité. (Utilisez de l'eau filtrée ou en bouteille).

Présence d'eau sur le comptoir et sous la cafetière.

- Le réservoir contient trop d'eau. Ne pas ajouter plus de 14 oz (414 ml) d'eau par le filtre à eau amovible. Certaines tasses ne versent pas correctement et de l'eau peut couler le long de la tasse et sur le plan de travail.

La cafetière n'infusera pas.

- Le perforateur peut être obstrué. Nettoyer le perforateur sous le couvercle de la cafetière comme illustré à la page 20.

Le café déborde du panier-filtre.

- Utiliser le panier-filtre amovible pour le café moulu. 3 c. à table (44 ml) est la quantité maximale pour toutes les moutures de café.
- Utiliser moins de café moulu.
- Lorsque vous utiliser du café en grain, un café moulu comme pour une cafetière à filtre automatique donnera de meilleurs résultats. Attention de ne pas trop moulinier le café. Si le café est moulu trop finement, l'appareil peut déborder.
- Utiliser le cycle **BOLD** (corsé).

Le café déborde de la grande tasse à café ou de le gobelet à emporter.

- Pour éviter que le café ne déborde de la tasse/tasse de voyage, utiliser la même grande tasse pour infuser ayant été utilisée pour remplir le réservoir d'eau. Ne pas ajouter plus de 14 oz (414 ml) d'eau. Il est possible que de l'eau résiduelle soit présente dans le réservoir et qu'elle provoque le débordement. Retirer le panier-filtre ou le support de dosette 1 tasse. Appuyer le bouton **REGULAR** (régulier) pour vider toute l'eau résiduelle.

Dépannage (suite)

PROBLÈME

CAUSE PROBABLE/SOLUTION

Eau résiduelle dans le réservoir.

- Trop d'eau ajoutée. Placer une tasse ou un gobelet à emporter sur le plateau perforé. Retirer la dosette 1 tasse et réinstaller le panier-filtre. Répéter le cycle d'infusion. Appuyer le bouton **REGULAR** (régulier) pour vider toute l'eau résiduelle.

Le voyant clignote.

- Pas d'eau dans la cafetière. Suivre les instructions du chapitre « Comment infuser la dosette 1 tasse » à la page 16 ou les instructions du chapitre « Comment infuser le café moulu » à la page 18.

Le café ne se verse pas dans la tasse.

- Des grains de café moulu obstruent le perforateur. Éteindre l'appareil et le débrancher. Permettre le refroidissement complet de l'appareil. Pour retirer toute accumulation de grains de café moulu, insérer la pointe du trombone plié dans l'orifice et vers le haut du perforateur.

Bris du sceau d'aluminium.

- Il existe plusieurs procédés de fabrication de dosettes 1 tasse pouvant causer le bris de certains rebords des dosettes 1 tasse. Essayer une autre marque.

Notes

Garantie limitée

Cette garantie s'applique aux produits achetés et utilisés aux É.-U. et au Canada. C'est la seule garantie expresse pour ce produit et est en lieu et place de tout autre garantie ou condition.

Ce produit est garanti contre tout défaut de matériaux et de main-d'oeuvre pour une période des cinq (5) ans à compter de la date d'achat d'origine au Canada et un (1) an à compter de la date d'achat d'origine aux É.-U. Au cours de cette période, votre seul recours est la réparation ou le remplacement de ce produit ou tout composant s'avérant défectueux, à notre gré, mais vous êtes responsable de tous les coûts liés à l'expédition du produit et le retour d'un produit ou d'un composant dans le cadre de cette garantie. Si le produit ou un composant n'est plus offert, nous le remplacerons par un produit similaire de valeur égale ou supérieure.

Cette garantie ne couvre pas le verre, les filtres, l'usure d'un usage normal, l'utilisation non conforme aux directives imprimées, ou des dommages au produit résultant d'un accident, modification, utilisation abusive ou incorrecte. Cette garantie s'applique seulement à l'acheteur original ou à la personne l'ayant reçu en cadeau. La présentation du reçu de vente d'origine comme preuve d'achat est nécessaire pour faire une réclamation au titre de cette garantie. Cette garantie s'annule si le produit est utilisé autrement que par une famille ou si l'appareil est soumis à toute tension ou forme d'onde différente des caractéristiques nominales précisées sur l'étiquette (par ex. : 120 V ~ 60 Hz).

Nous excluons toutes les réclamations au titre de cette garantie pour les dommages spéciaux, consécutifs et indirects causés par la violation de garantie expresse ou implicite. Toute responsabilité est limitée au prix d'achat. **Chaque garantie implicite, y compris toute garantie ou condition de qualité marchande ou d'adéquation à un usage particulier, est exonérée, sauf dans la mesure interdite par la loi, auquel cas la garantie ou condition est limitée à la durée de cette garantie écrite.** Cette garantie vous donne des droits légaux précis. Vous pouvez avoir d'autres droits qui varient selon l'endroit où vous habitez. Certaines provinces ne permettent pas les limitations sur les garanties implicites ou les dommages spéciaux ou indirects de telle sorte que les limitations ci-dessus ne s'appliquent peut-être pas à votre cas.

Ne pas retourner cet appareil au magasin lors d'une réclamation au titre de cette garantie. Téléphoner au 1.800.851.8900 aux É.-U. ou au 1.800.267.2826 au Canada ou visiter le site internet www.hamiltonbeach.com aux É.-U. ou www.hamiltonbeach.ca au Canada. Pour un service plus rapide, trouvez le numéro de modèle, le type d'appareil et les numéros de série sur votre appareil.

SALVAGUARDIAS IMPORTANTES

Cuando utilice artefactos eléctricos, siempre deben seguirse precauciones de seguridad básicas a fin de reducir el riesgo de incendio, descarga eléctrica, y/o lesiones a personas, incluyendo las siguientes:

1. Lea todas las instrucciones.
2. Este aparato no se destina para utilizarse por personas (incluyendo niños) cuyas capacidades físicas, sensoriales o mentales sean diferentes o estén reducidas, o carezcan de experiencia o conocimiento, a menos que dichas personas reciban una supervisión o capacitación para el funcionamiento del aparato por una persona responsable de su seguridad.
3. Se requiere de una estrecha supervisión cuando el aparato se use cerca de niños. Los niños deben supervisarse para asegurar que ellos no empleen los aparatos como juguete.
4. Verifique que el voltaje de su instalación corresponda con el del producto.
5. No toque superficies calientes. Use manijas o perillas. Es importante tener cuidado ya que pueden ocurrir quemaduras al tocar partes calientes o como resultado del derrame de líquido caliente.
6. Para protegerse contra choques eléctricos no sumerja el cordón, el enchufe o la cafetera en el agua o en otro líquido.
7. Desenchufe la cafetera cuando no esté en uso y antes de la limpieza. Deje que se enfríe antes de ponerle o quitarle piezas y antes de su limpieza.
8. La cafetera debe ser operada sobre una superficie plana lejos del borde de la mesera o mostrador para evitar que se vuelque accidentalmente.
9. No haga funcionar artefacto alguno que tenga el cordón o el enchufe averiado o si falla o ha sufrido algún daño. Llame a nuestro número gratuito de servicio al cliente para información sobre examinación, reparación o ajuste.
10. El uso de aditamentos de accesorio no recomendados por el fabricante del aparato pueden causar lesiones.
11. No lo use a la intemperie.
12. No deje que el cable cuelgue del borde de la mesa, mostrador, ni que toque superficies calientes, incluyendo la estufa.
13. No lo coloque sobre o cerca de una cocina eléctrica o a gas caliente o dentro de un horno caliente.
14. **ADVERTENCIA:** Para que no salga agua caliente de la aguja de perforación, no levante la tapa durante el proceso de preparación.
15. No use el artefacto para fines ajenos a los que está destinado.
16. **ADVERTENCIA:** Para reducir el riesgo de incendio o choque eléctrico, no quite la cubierta inferior de la cafetera. En el interior no hay piezas que el usuario pueda reparar. Las reparaciones deberán ser realizadas solamente por personal de servicio autorizado.
17. **¡PRECAUCIÓN!** Peligro de Cortaduras: El soporte de paquete desmontable de servicio individual contiene una hoja de corte filosa. Tenga cuidado al manipular.
18. **¡PRECAUCIÓN!** Peligro de Cortaduras: La aguja de perforación es filosa. Tenga cuidado al lavarla.

¡GUARDE ESTAS INSTRUCCIONES!

Otra Información de Seguridad para el Cliente

Este aparato ha sido diseñado solamente para uso doméstico.

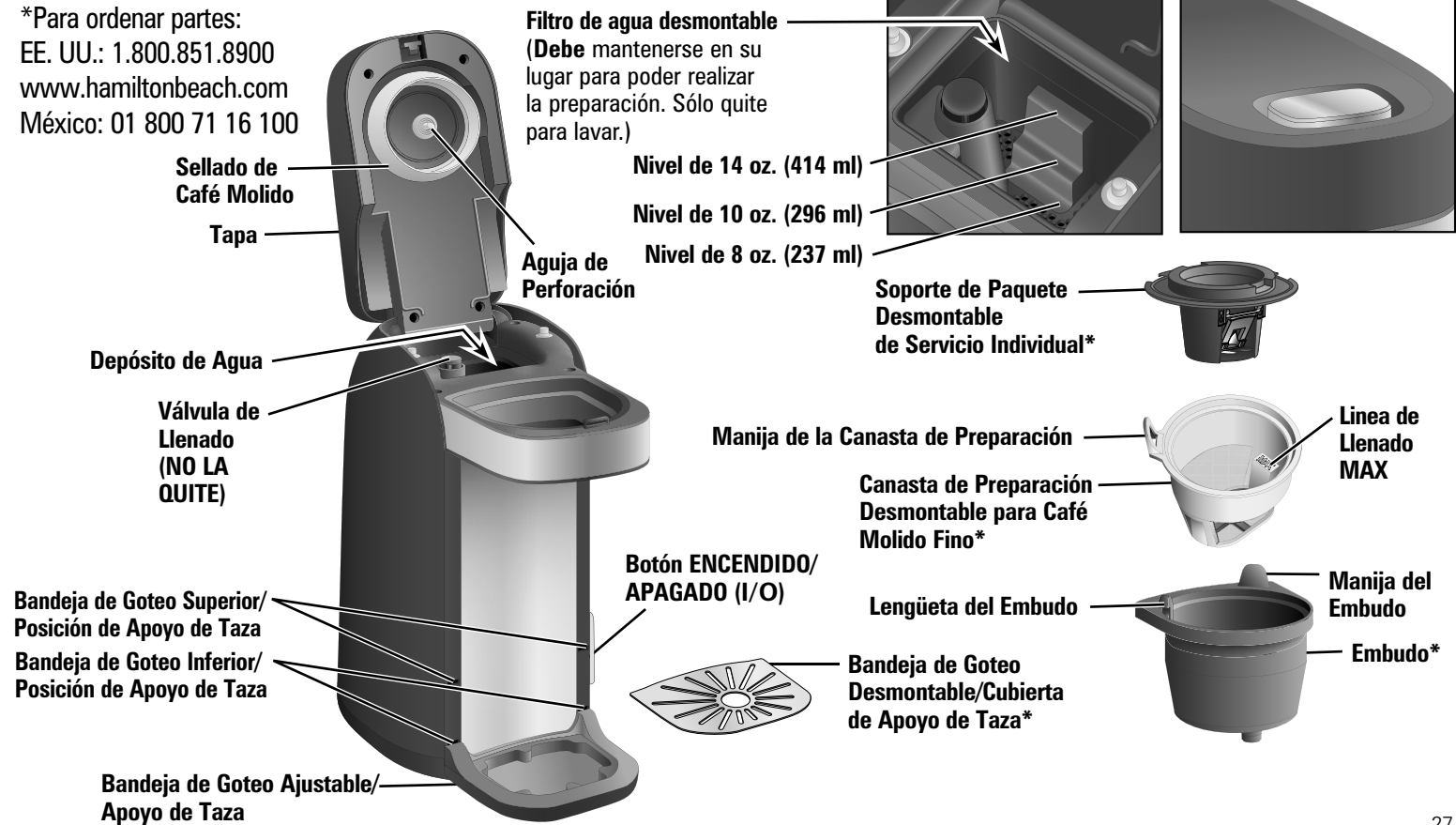
⚠ ADVERTENCIA Peligro de Descarga Eléctrica: Este producto es provisto con un enchufe polarizado (una pata más ancha) para reducir el riesgo de una descarga eléctrica. El enchufe embona únicamente en una dirección dentro de un tomacorriente polarizado. No trate de obviar el propósito de seguridad del enchufe modificándolo de alguna manera o utilizando un adaptador. Si el enchufe no entra completamente en la toma, invierta el enchufe. Si aún no entra, haga que un electricista reemplace la toma.

El largo del cable que se usa en este aparato fue seleccionado para reducir el peligro de que alguien se enganche o tropiece con un cable más largo. Si es necesario usar un cable más largo, se podrá usar un cable de extensión aprobado. La clasificación eléctrica nominal del cable de extensión debe ser igual o mayor que la clasificación nominal del aparato. Es importante tener cuidado de colocar el cable de extensión para que no se pliegue sobre el mostrador o la mesera en donde niños puedan tirar del mismo o tropezarse accidentalmente.

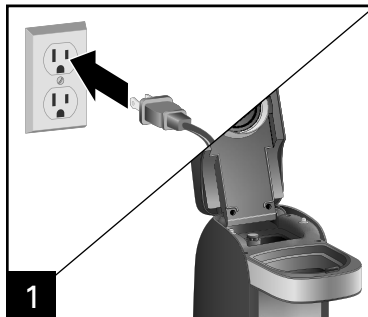
Para evitar una sobrecarga del circuito eléctrico, no use ningún otro aparato electrodoméstico de alto voltaje en el mismo circuito que este aparato.

Piezas y Características

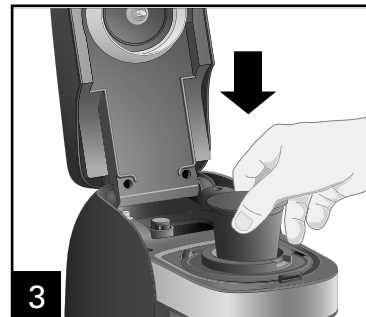
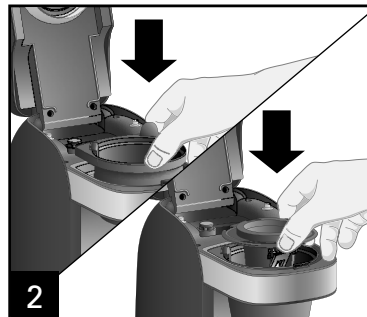
*Para ordenar partes:
 EE. UU.: 1.800.851.8900
 www.hamiltonbeach.com
 México: 01 800 71 16 100



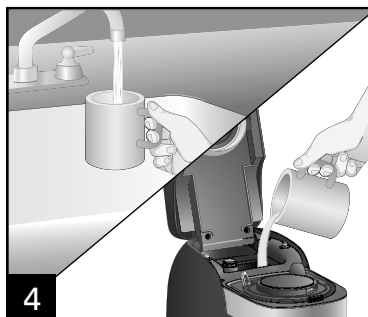
Cómo Preparar un Paquete de Servicio Individual



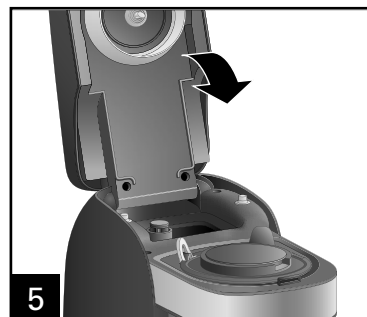
1 Para abrir la tapa, presione el botón y levante.



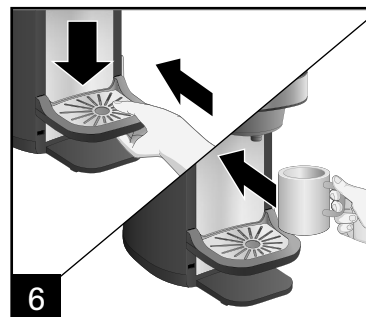
3 Coloque un paquete en el soporte de paquete para servicio individual. No quite el papel metálico.



4 Llene el depósito con la taza o la taza de viaje en la que va a preparar el café. 10 oz. (296 ml) de agua es la cantidad MÁX para paquetes de servicio individual.



5 Baje la tapa hasta escuchar un "clic". Esto significa que la tapa está trabada en su lugar.



6 Para ajustar la bandeja de goteo/apoyo de taza: Deslice en las aperturas para la posición que desea y presione hacia abajo para trabar en su lugar.

⚠ ADVERTENCIA Peligro de Quemaduras. Para evitar contacto con café o agua caliente:

- No llene con agua por encima de la línea de llenado 10 onzas (296 ml) de agua.
- Llene el depósito con agua con la taza o la taza de viaje en la que preparará el café.
- Introduzca por completo la taza o la taza para viajes sobre la bandeja de goteo.
- No levantar la tapa durante el proceso de preparación.

⚠ PRECAUCIÓN Peligro de Cortaduras.

El soporte de paquete desmontable de servicio individual contiene una hoja de corte filosa. La aguja de perforación ubicada en el lado inferior de la tapa también es filosa. Tenga cuidado al manipular.

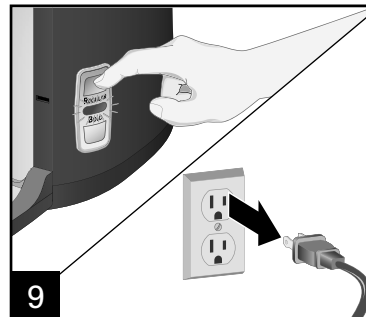
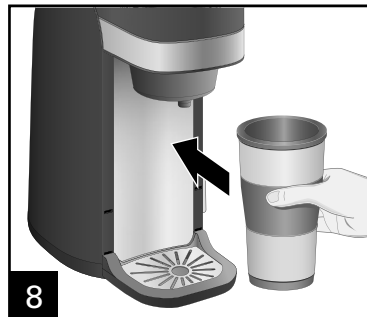
NOTAS:

- Sólo utilice agua fría en el depósito.
- No utilice agua caliente.
- No recaliente café en la máquina.
- No utilice crema o crema no láctea en el depósito.
- Después de preparar paquetes de cacao caliente de servicio individual, haga funcionar un ciclo con sólo agua sin un paquete de servicio individual para evitar la posibilidad de obstruir la aguja de perforación.

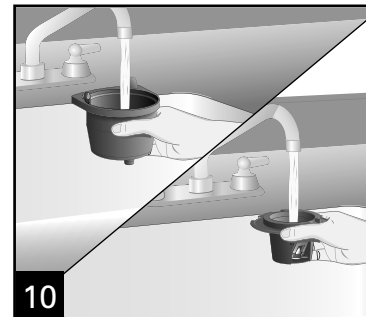
Cómo Preparar un Paquete de Servicio Individual (cont.)



7 Utilice la posición de taza baja para una taza más grande, como una jarra de viaje.



9 Presione el botón **REGULAR** (común) o **BOLD** (intenso) para comenzar la preparación. La luz indicadora de encendido se activará de color azul para indicar que la cafetera está encendida. La cafetera se apagará automáticamente cuando haya finalizado la preparación.



10 El embudo y el soporte de paquete de servicio individual deben enjuagarse después de cada uso.

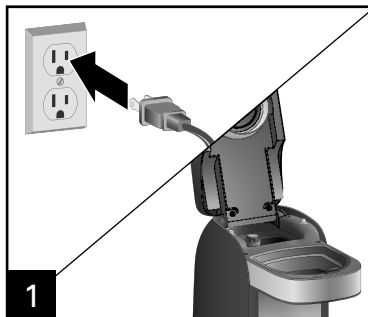
⚠ ADVERTENCIA Peligro de Quemaduras.

Si el proceso de preparación se detiene antes de tiempo, debe drenarse el agua de la unidad. Coloque una taza grande sobre la bandeja de goteo/apoyo de taza. Presione el botón **REGULAR** (común). No drenar la unidad puede provocar un desborde en la taza siguiente.

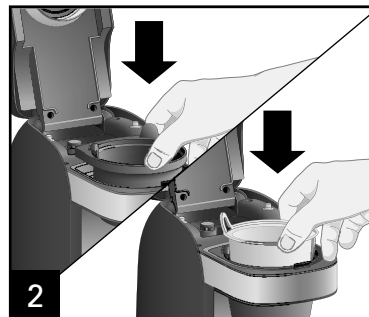
NOTAS:

- La cafetera prepara toda el agua que se coloca.
- Presione el botón **REGULAR** (común) o **BOLD** (intenso) de nuevo para **DETENER** la preparación a mitad del ciclo.
- Presione el botón **REGULAR** (común) para eliminar el agua restante del depósito de agua.

Cómo Preparar con Café Molido

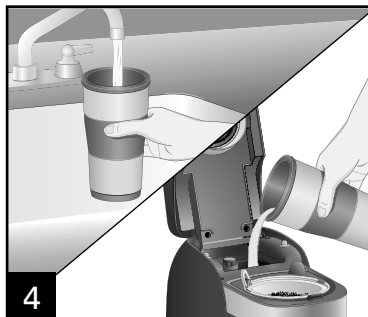


Para abrir la tapa, presione el botón y levante. Coloque la canasta de preparación en el embudo, alineando la manija de la canasta de preparación con la lengüeta del embudo.



Coloque la canasta de preparación en el embudo. (3 cucharadas [44 ml] es la cantidad MÁX de cualquier tipo de café molido).

⚠ ADVERTENCIA Peligro de Quemaduras. Para evitar los desbordes, mantenga el café molido por debajo de la línea de llenado MAX.



Llene el depósito con la taza o la taza de viaje en la que va a preparar el café.



Baje la tapa hasta escuchar un "clic". Esto significa que la tapa está trabada en su lugar.

⚠ ADVERTENCIA Peligro de Quemaduras. Para evitar contacto con café o agua caliente:

- No llene con agua por encima de la línea de llenado MAX (14 onzas [414 ml]).
- Llene el depósito con agua con la taza o la taza de viaje en la que preparará el café.
- Introduzca totalmente una taza o una taza para viajes debajo del embudo.
- Quite el soporte del paquete de servicio individual antes de agregar café molido a la canasta de preparación.
- No levantar la tapa durante el proceso de preparación.

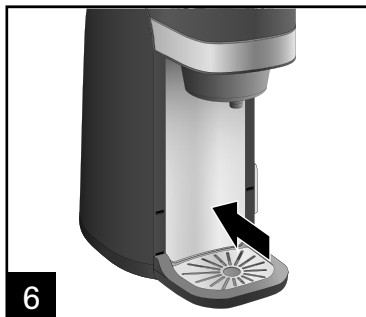
⚠ PRECAUCIÓN Peligro de Cortaduras.

La aguja de perforación ubicada en el lado inferior de la tapa también es filosa. Tenga cuidado al manipular.

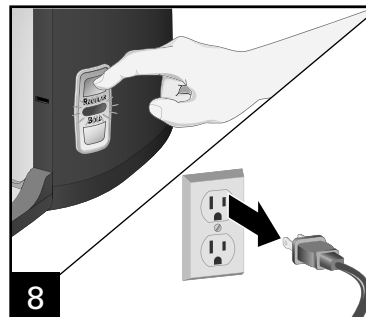
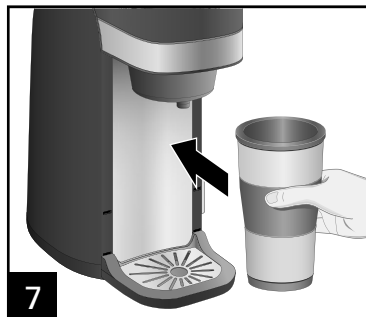
NOTAS:

- Sólo utilice agua fría en el depósito.
- No utilice agua caliente.
- No recaliente café en la máquina.
- No utilice crema o crema no láctea en el depósito.
- No utilice polvo de cacao caliente ni una mezcla en la canasta de preparación.

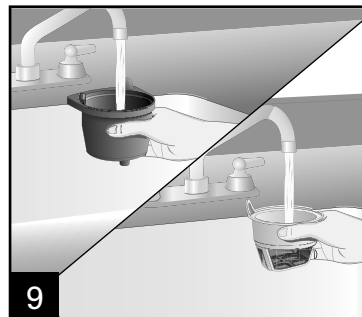
Cómo Preparar con Café Molido (cont.)



6
Utilice la posición de taza baja para una taza más grande, como una jarra de viaje.



8
Presione el botón **REGULAR** (común) o **BOLD** (intenso) para comenzar la preparación. La luz indicadora de encendido (ON) se activará de color azul para indicar que la cafetera está encendida. La cafetera se apagará automáticamente cuando haya finalizado la preparación.



9
El embudo y la canasta de preparación deben enjuagarse después de cada uso.

⚠ ADVERTENCIA Peligro de Quemaduras.

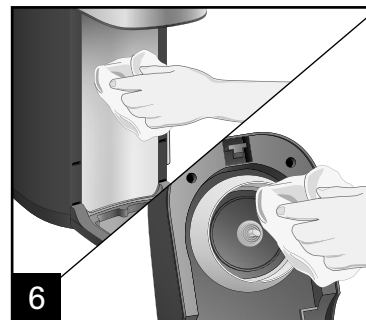
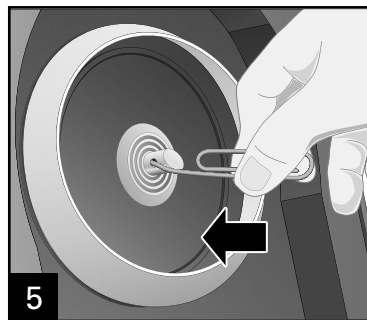
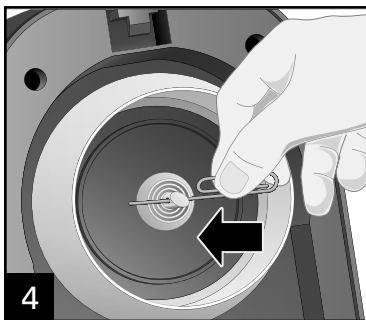
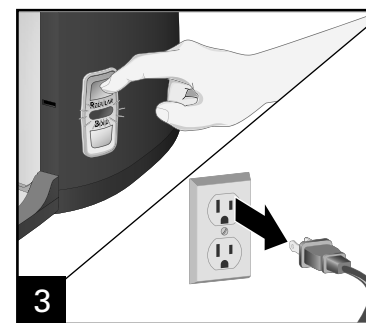
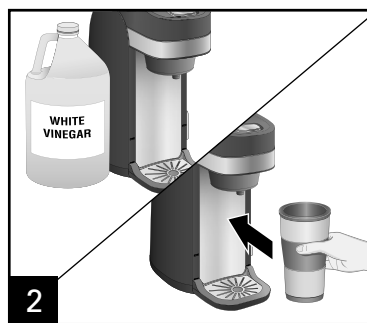
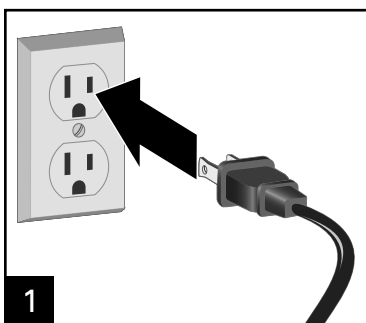
Si el proceso de preparación se detiene antes de tiempo, debe drenarse el agua de la unidad. Coloque una taza grande sobre la bandeja de goteo/apoyo de taza. Presione el botón **REGULAR** (común). No drenar la unidad puede provocar un desborde en la taza siguiente.

NOTAS:

- La cafetera prepara toda el agua que se coloca.
- Si se utiliza café molido más fino, éste seguirá goteando después de que se haya apagado la luz azul.
- Presione el botón **REGULAR** (común) o **BOLD** (intenso) de nuevo para DETENER la preparación a mitad del ciclo.

Cuidado y Limpieza

Todas las cafeteras deben limpiarse por lo menos una vez por mes (una vez por semana en áreas de agua dura).



⚠ ADVERTENCIA Peligro de Descarga.
No sumerja el cable, enchufe o cafetera en ningún líquido.

⚠ PRECAUCIÓN Peligro de Cortaduras:
El soporte de paquete desmontable de servicio individual tiene una hoja filosa. La aguja de perforación ubicada en el lado inferior de la tapa también es filosa. Tenga cuidado al manipular.

Vierta 3/4 cup (177 ml) de vinagre blanco y 3/4 cup (177 ml) de agua fría en el depósito. Coloque una taza o taza para viajes de 14 oz. (414 ml) debajo para recoger la solución de agua/vinagre. Presione el botón **REGULAR** or **BOLD** una vez. Después de 30 segundos, desenchufe la unidad y deje que el vinagre realice la limpieza. Después de 30 minutos, enchufe la unidad. Presione el botón **REGULAR** y deje finalizar el ciclo de preparación. Cuando el ciclo de preparación haya finalizado, espere a que la unidad se enfríe. Vacíe la taza y enjuague. Haga funcionar 2 o 3 ciclos con agua fría de grifo. La unidad ya se encuentra limpia y lista para preparar café.

Limpieza de rutina de la aguja: La aguja se encuentra ubicada en el tapa de la cafetera. Doble un ganchito para papel como se indica; introduzca la punta del ganchito a través del orificio de la aguja y hasta la aguja para verificar que se haya eliminado todo el resto de café. Haga funcionar 2 o 3 veces con agua fría para asegurar que se haya eliminado todo el resto de café de la aguja de perforación.

No utilice la configuración "SANI" cuando la lave en el lavavajillas. Las temperaturas del ciclo "SANI" pueden dañar su producto.

Resolviendo Problemas

PROBLEMA	CAUSA PROBABLE/SOLUCIÓN
El café sabe mal.	<ul style="list-style-type: none"> • La cafetera necesita limpiarse. • El café molido es muy grueso o muy fino. Ajuste el molino de café a molido goteo automático. • El café es de baja calidad y frescura. • El agua es de baja calidad (use agua filtrada o embotellada).
Hay agua en el mostrador debajo de la unidad.	<ul style="list-style-type: none"> • Se llenó de más el depósito de agua. No agregue más de 14 onzas (414 ml) de agua al filtro de agua desmontable. Algunas jarras/tazas no vierten el líquido limpiamente y pueden derramar agua por el costado de la taza o sobre el mostrador.
La cafetera no funciona.	<ul style="list-style-type: none"> • La aguja de perforación puede estar tapada. Limpie la aguja de perforación ubicada en la tapa de la cafetera como se indica en la página 32.
El café se derrama de la canasta de preparación.	<ul style="list-style-type: none"> • Utilice la canasta de preparación desmontable para café molido. 3 cucharadas (44 ml) es la cantidad máxima de café molido que puede utilizarse. • Utilice una menor cantidad de café molido. • Cuando utilice café en granos, un molido común para cafeteras automáticas de filtro dará el mejor resultado. Tenga cuidado de no moler los granos de más, porque un café muy fino puede provocar desbordes en esta unidad. • Use el ciclo BOLD (intenso).
El café se derrama de la taza para viaje o taza.	<ul style="list-style-type: none"> • Para evitar que el café se derrame de la taza/jarra de viaje, utilice la misma taza/taza de viaje que usó para llenar el depósito de agua. No agregue más de 14 onzas (414 ml) de agua. También puede haber quedado agua en el sistema, lo que está provocando el desborde. Quite la canasta de preparación o el soporte del paquete de servicio individual. Sostenga el botón REGULAR (común) para eliminar el agua restante.
Queda agua en el depósito.	<ul style="list-style-type: none"> • Se agregó demasiada agua. Coloque la taza o la taza para viajes sobre la bandeja de goteo. Quite el paquete de servicio individual y vuelva a colocar la canasta de preparación. Repita el ciclo de preparación. Sostenga el botón REGULAR (común) para eliminar el agua restante.

Resolviendo Problemas (cont.)

PROBLEMA	CAUSA PROBABLE/SOLUCIÓN
Luz titilante.	<ul style="list-style-type: none">• No hay agua en la unidad. Siga las instrucciones de “Cómo Preparar un Paquete de Servicio Individual” de la página 28 o las instrucciones “Cómo Preparar con Café Molido” de la página 30.
No sale café.	<ul style="list-style-type: none">• La aguja de perforación está atascada con borra de café. Apague la unidad, desenchufe. Deje que el aparato se enfríe completamente. Para quitar acumulaciones de borra de café, introduzca el extremo de un ganchito para papel dentro del orificio de la aguja de penetración y dentro de la aguja.
Se rompió el sello metálico.	<ul style="list-style-type: none">• Existe variabilidad en el proceso de fabricación de los paquetes de servicio individual, lo que provoca que algunos tipos de paquetes de servicio individual sean más débiles en las juntas. Pruebe una marca diferente.



Grupo HB PS, S.A. de C.V.
Monte Elbruz 124-301
Colonia Palmitas, Delegación Miguel Hidalgo
C.P. 11560, México, Distrito Federal
01 800 71 16 100

PÓLIZA DE GARANTÍA

PRODUCTO:	MARCA:		MODELO:
Grupo HB PS, S.A. de C.V. cuenta con una Red de Centros de Servicio Autorizada, por favor consulte en la lista anexa el nombre y dirección de los establecimientos en la República Mexicana en donde usted podrá hacer efectiva la garantía, obtener partes, componentes, consumibles y accesorios; así como también obtener servicio para productos fuera de garantía. Para mayor información llame sin costo: Centro de Atención al consumidor: 01 800 71 16 100			
Grupo HB PS, S.A. de C.V. le otorga a partir de la fecha de compra: GARANTÍA DE 1 AÑO.			
COBERTURA			
<ul style="list-style-type: none">• Esta garantía ampara, todas las piezas y componentes del producto que resulten con defecto de fabricación incluyendo la mano de obra.• Grupo HB PS, S.A. de C.V. se obliga a reemplazar, reparar o reponer, cualquier pieza o componente defectuoso; proporcionar la mano de obra necesaria para su diagnóstico y reparación, todo lo anterior sin costo adicional para el consumidor.• Esta garantía incluye los gastos de transportación del producto que deriven de su cumplimiento dentro de su red de servicio.			
LIMITACIONES			
<ul style="list-style-type: none">• Esta garantía no ampara el reemplazo de piezas deterioradas por uso o por desgaste normal, como son: cuchillas, vasos, jarras, filtros, etc.• Grupo HB PS, S.A. de C.V. no se hace responsable por los accidentes producidos a consecuencia de una instalación eléctrica defectuosa, ausencia de toma de tierra, clavija de enchufe en mal estado, etc.			
EXCEPCIONES			
Esta garantía no será efectiva en los siguientes casos: <ul style="list-style-type: none">a) Cuando el producto se hubiese utilizado en condiciones distintas a las normales. (Uso industrial, semi-industrial o comercial.)b) Cuando el producto no hubiese sido operado de acuerdo con el instructivo de uso.c) Cuando el producto hubiese sido alterado o reparado por personas no autorizadas por Grupo HB PS, S.A. de C.V. el fabricante nacional, importador o comercializador responsable respectivo. El consumidor puede solicitar que se haga efectiva la garantía ante la propia casa comercial donde adquirió su producto, siempre y cuando Grupo HB PS, S.A. de C.V. no cuente con talleres de servicio.			

PROCEDIMIENTO PARA HACER EFECTIVA LA GARANTÍA

- Para hacer efectiva la garantía no deben exigirse mayores requisitos que la presentación del producto y la póliza correspondiente, debidamente sellada por el establecimiento que lo vendió.
- Para hacer efectiva la garantía, lleve su aparato al Centro de Servicio Autorizado más cercano a su domicilio (consulte la lista anexa).
- Si no existe Centro de Servicio Autorizado en su localidad llame a nuestro Centro de Atención al Consumidor para recibir instrucciones de como hacer efectiva su garantía.
- El tiempo de reparación, en ningún caso será mayor de 30 días naturales contados a partir de la fecha de recepción del producto en nuestros Centros de Servicio Autorizados.
- En caso de que el producto haya sido reparado o sometido a mantenimiento y el mismo presente deficiencias imputables al autor de la reparación o del mantenimiento dentro de los treinta días naturales posteriores a la entrega del producto al consumidor, éste tendrá derecho a que sea reparado o mantenido de nuevo sin costo alguno. Si el plazo de la garantía es superior a los treinta días naturales, se estará a dicho plazo.
- El tiempo que duren las reparaciones efectuadas al amparo de la garantía no es computable dentro del plazo de la misma. Cuando el bien haya sido reparado se iniciará la garantía respecto de las piezas repuestas y continuará con relación al resto. En el caso de reposición del bien deberá renovarse el plazo de la garantía.

FECHA DE ENTREGA	SELLO DEL VENDEDOR	QUEJAS Y SUGERENCIAS
DÍA ___ MES ___ AÑO ___		Si desea hacer comentarios o sugerencias con respecto a nuestro servicio o tiene alguna queja derivada de la atención recibida en alguno de nuestros Centros de Servicio Autorizados, por favor dirigirse a: GERENCIA INTERNACIONAL DE SERVICIO 01 800 71 16 100 Email: mexico.service@hamiltonbeach.com.mx

RED DE CENTROS DE SERVICIO AUTORIZADA GRUPO HB PS, S.A. DE C.V.

Distrito Federal

ELECTRODOMÉSTICOS
 Av. Plutarco Elías Calles No. 1499
 Zacahuitzco MEXICO 09490 D.F.
 Tel: 01 55 5235 2323 • Fax: 01 55 5243 1397

CASA GARCIA
 Av. Patriotismo No. 875-B
 Mixcoac MEXICO 03910 D.F.
 Tel: 01 55 5563 8723 • Fax: 01 55 5615 1856

Nuevo Leon

FERNANDO SEPULVEDA REFACCIONES
 Ruperto Martínez No. 238 Ote.
 Centro MONTERREY, 64000 N.L.
 Tel: 01 81 8343 6700 • Fax: 01 81 8344 0486

Jalisco

SERVICIOS DE MANTENIMIENTO CASTILLO
 Garibaldi No. 1450
 Ladrón de Guevara
 GUADALAJARA 44660 Jal.
 Tel: 01 33 3825 3480 • Fax: 01 33 3826 1914

Chihuahua

DISTRIBUIDORA TURMIX
 Av. Paseo Triunfo de la Rep. No. 5289 Local 2 A.
 Int. Hipermart
 Alamos de San Lorenzo
 CD. JUAREZ 32340 Chih.
 Tel: 01 656 617 8030 • Fax: 01 656 617 8030

Modelos:
49960, 49997, 49997C

Tipo:
A101

Características Eléctricas:
120 V~ 60 Hz 1450 W

Los modelos incluidos en el instructivo de Uso y Cuidado pueden ir seguidos o no por un sufijo correspondiente a una o varias letras del alfabeto y sus combinaciones, separadas o no por un espacio, coma, diagonal, o guión. Como ejemplos los sufijos pueden ser: "Y" y/o "MX" y/o "MXY" y/o "Z".

840239403

1/15