

# HITACHI

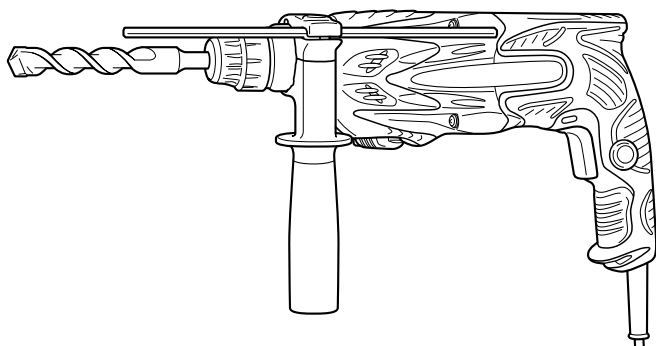
---

**Rotary Hammer**  
**Bohrhammer**  
**Marteau perforateur**  
**Martello perforatore**  
**Boorhamer**  
**Martillo perforador**  
**Martelo perfurador**

---

**DH 24PB3 · DH 24PC3**

---



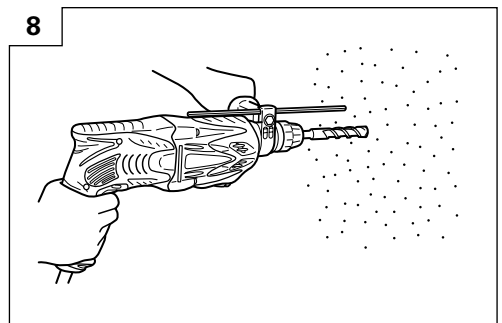
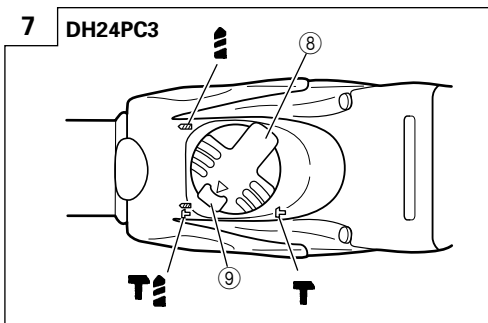
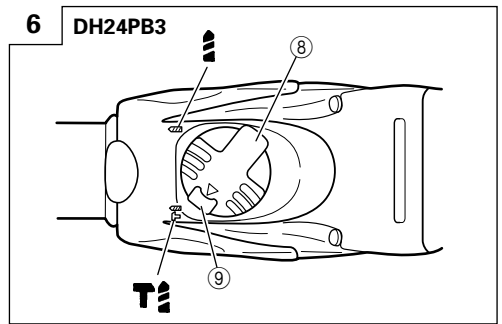
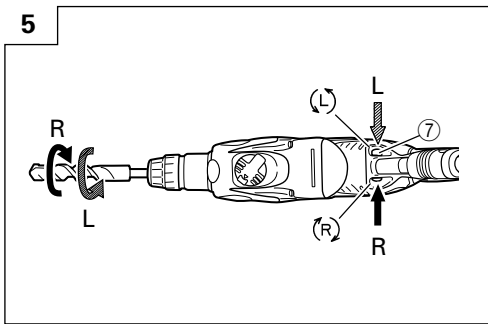
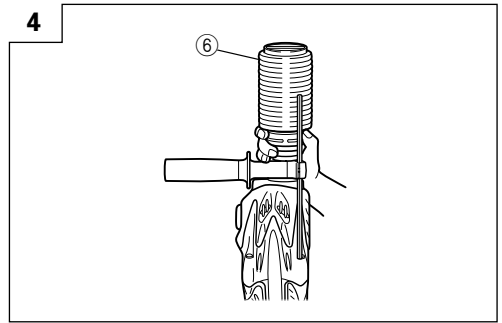
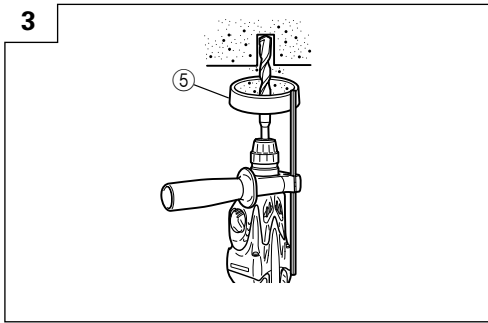
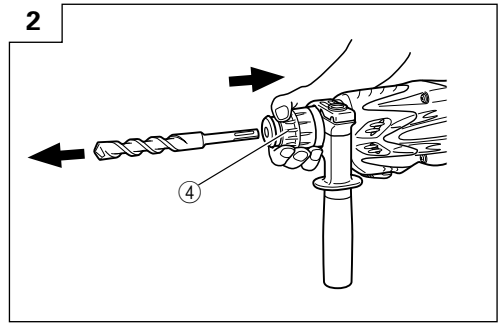
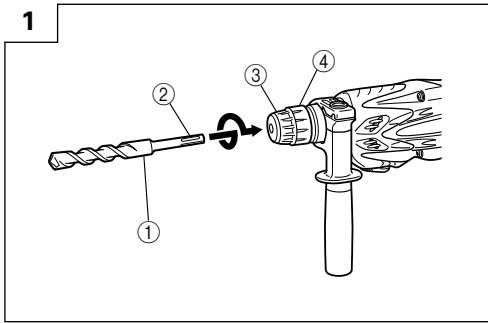
Read through carefully and understand these instructions before use.  
Diese Anleitung vor Benutzung des Werkzeugs sorgfältig durchlesen und verstehen.  
Lire soigneusement et bien assimiler ces instructions avant usage.  
Prima dell'uso leggere attentamente e comprendere queste istruzioni.  
Deze gebruiksaanwijzing s.v.p. voor gebruik zorgvuldig doorlezen.  
Leer cuidadosamente y comprender estas instrucciones antes del uso.  
Antes de usar, leia com cuidado para assimilar estas instruções.

---

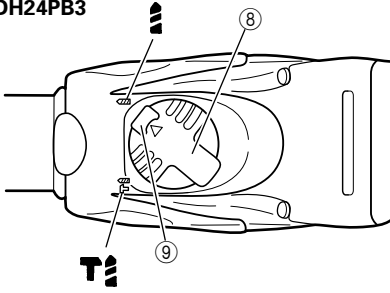


Handling instructions  
Bedienungsanleitung  
Mode d'emploi  
Istruzioni per l'uso  
Gebruiksaanwijzing  
Instrucciones de manejo  
Instruções de uso

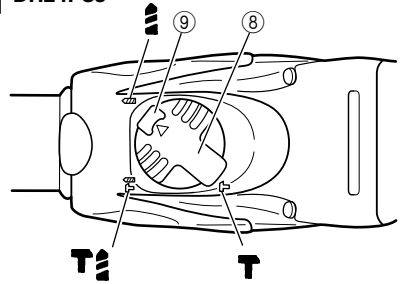
**Hitachi Koki**



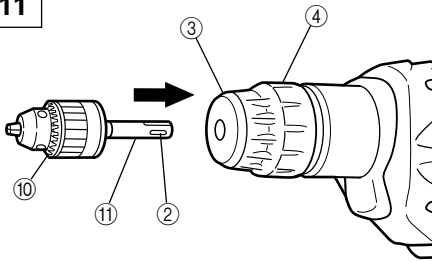
9 DH24PB3



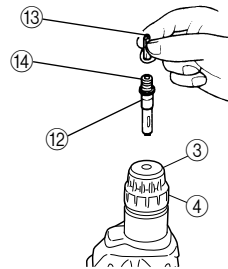
10 DH24PC3



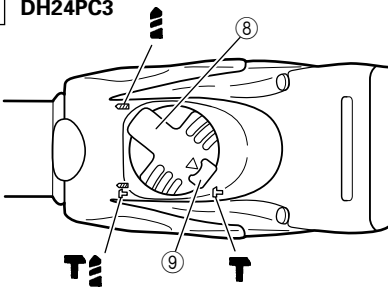
11



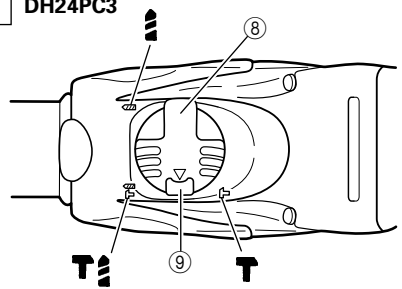
12



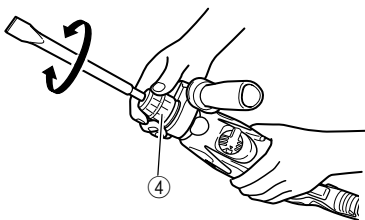
13 DH24PC3



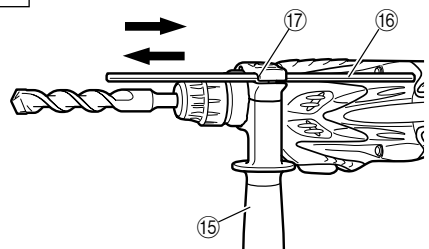
14 DH24PC3



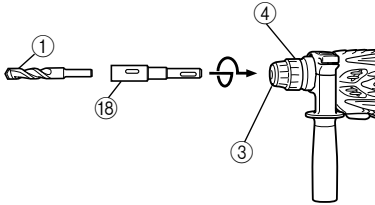
15 DH24PC3



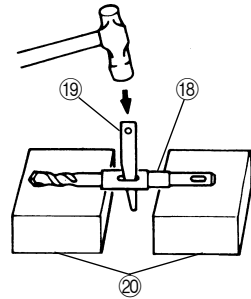
16



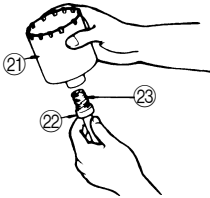
17



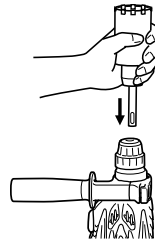
18



19

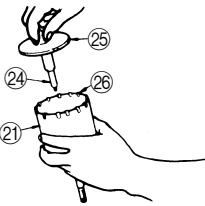


20

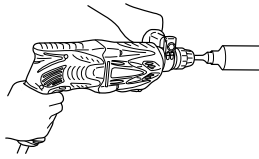


	English	Deutsch	Français	Italiano
①	Drill bit	Bohrer	Foret de perçage	Punta del trapano
②	Part of SDS-plus shank	Teil des SDS-plus Schaftes	Élément de la tige SDS plus	Parte dell'asta SDS plus
③	Front cap	Vordere Abdeckung	Capuchon avant	Protezione davanti
④	Grip	Spannbacke	Attache coulissante	Presavanti
⑤	Dust cup	Staubschale	Godet à poussière	Contentitore a polvere
⑥	Dust collector (B)	Staubfänger (B)	Collecteur à poussière (B)	Camera a polvere (B)
⑦	Push button	Druckschalter	Bouton-poussoir	Pulsante
⑧	Change lever	Wahlhebel	Sélecteur	Leva di selezione
⑨	Push button	Druckschalter	Bouton-poussoir	Pulsante
⑩	Drill chuck	Bohrfutter	Mandrin porte-foret	Mandrino
⑪	Chuck adapter	Bohrfutteradapter	Raccord de mandrin	Adattatore per mandrino
⑫	Chuck adapter (D)	Bohrfutteradapter (D)	Raccord (D) de mandrin	Adattatore (D) per mandrino
⑬	Bit	Bohrerspitze	Mèche	Punta
⑭	Socket	Fassung	Prise	Presavanti
⑮	Side handle	Handgriff	Poignée laterale	Laterale
⑯	Depth gauge	Tiefenmesser	Jauge de profondeur	Calibro profondità
⑰	Mounting hole	Befestigungsöffnung	Orifice de montage	Foro d'inserimento della bacchetta di arresto
⑱	Tape shank adapter	Kegelschaftadapter	Raccord de queue conique	Adattatore per gambo conico
⑲	Cotter	Dorn	Clavette	Coppiglia
⑳	Rest	Auflage	Support	Appoggio
㉑	Core bit	Bohrkrone	Couronne	Corona
㉒	Core bit shank	Bohrkronenzapfen	Queue de couronne	Gambo della corona
㉓	Thread	Gewinde	Filetage	Filettatura
㉔	Center pin	Mittelstift	Goujon central	Punta della corona
㉕	Guide plate	Führungsplatte	Plaque de guidage	Piastra guida
㉖	Core bit tip	Bohrkronenspitze	Bout de couronne	Punta della corona

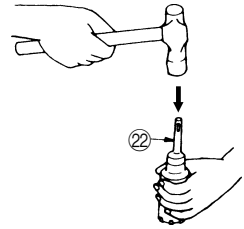
21







22



23



	Nederlands	Español	Português
①	Boorstuk	Broca	Broca
②	Onderdeel van SDS Plus schacht	Parte del SDS más vástago	Cabo de peça SDS-plus
③	Voorkap	Cubierta frontal	Tampa da frente
④	Greep	Sujetador	Mordente
⑤	Stofvangkap	Capa de polvo	Receptáculo para poeira
⑥	Stofverzamelaar (B)	Colector de polvo (B)	Coletor de poeira (B)
⑦	Drukknop	Tecla	Botão de pressão
⑧	Keuzeschakelaar	Palanquita selectora	Seletor
⑨	Drukknop	Tecla	Botão de pressão
⑩	Boorkop	Portabrocas	Mandril
⑪	Boorkopadapter	Adaptador del portabrocas	Adaptador do mandril
⑫	Boorkopadapter (D)	Adaptador (D) del portabrocas	Adaptador do mandril (D)
⑬	Boorstuk	Broca	Palhetão
⑭	Aansluitingshuls	Cubo	Encaixe
⑮	Zijgreep	Mango lateral	Empunhadura lateral
⑯	Diepte-maatlat	Calibre de profundidad	Sonda
⑰	Montagegat	Agujero de montaje	Orifício de montagem
⑱	Vernauwde schachtadapter	Adaptador de la espiga ahusada	Adaptador de cabo cônico
⑲	Cotter	Chaveta	Cavilha
⑳	Steun	Apoyo	Suporte
㉑	Kernstuk	Barrena tubular	Coroa
㉒	Kernstuckschacht	Espiga de la barrena tubular	Cabo de coroa
㉓	Schroefdraad	Rosca	Rosca
㉔	Middenpin	Pasador central	Pino central
㉕	Pasplaatje	Placa guía	Placa-guia
㉖	Top van kernstuk	Punta de barrena tubular	Cabo da coroa

	<p><b>Symbols</b>  <b>⚠ WARNING</b>  The following show symbols used for the machine. Be sure that you understand their meaning before use.</p>	<p><b>Símbolos</b>  <b>⚠ WARNING</b>  Die folgenden Symbole werden für diese Maschine verwendet. Achten Sie darauf, diese vor der Verwendung zu verstehen.</p>	<p><b>Símbolos</b>  <b>⚠ AVERTISSEMENT</b>  Les symboles suivants sont utilisés pour l'outil. Bien se familiariser avec leur signification avant d'utiliser l'outil.</p>	<p><b>Simboli</b>  <b>⚠ AVVERTENZA</b>  Di seguito mostriamo i simboli usati per la macchina. Assicurarsi di comprenderne il significato prima dell'uso.</p>
	<p><b>Read all safety warnings and all instructions.</b>  Failure to follow the warnings and instructions may result in electric shock, fire and/or serious injury.</p>	<p><b>Lesen Sie sämtliche Sicherheitshinweise und Anweisungen durch.</b>  Wenn die Warnungen und Anweisungen nicht befolgt werden, kann es zu Stromschlag, Brand und/oder ernsthaften Verletzungen kommen.</p>	<p><b>Lire tous les avertissements de sécurité et toutes les instructions.</b>  Tout manquement à observer ces avertissements et instructions peut engendrer des chocs électriques, des incendies et/ou des blessures graves.</p>	<p><b>Leggere tutti gli avvertimenti di sicurezza e tutte le istruzioni.</b>  La mancata osservanza degli avvertimenti e delle istruzioni potrebbe essere causa di scosse elettriche, incendi e/o gravi lesioni.</p>
	<p>Only for EU countries  Do not dispose of electric tools together with household waste material!  In observance of European Directive 2002/96/EC on waste electrical and electronic equipment and its implementation in accordance with national law, electric tools that have reached the end of their life must be collected separately and returned to an environmentally compatible recycling facility.</p>	<p>Nur für EU-Länder  Werfen Sie Elektrowerkzeuge nicht in den Hausmüll!  Gemäss Europäischer Richtlinie 2002/96/EG über Elektro- und Elektronik-Altgeräte und Umsetzung in nationales Recht müssen verbrauchte Elektrowerkzeuge getrennt gesammelt und einer umweltgerechten Wiederverwertung zugeführt werden.</p>	<p>Pour les pays européens uniquement  Ne pas jeter les appareils électriques dans les ordures ménagères!  Conformément à la directive européenne 2002/96/EG relative aux déchets d'équipements électriques ou électroniques (DEEE), et à sa transposition dans la législation nationale, les appareils électriques doivent être collectés à part et être soumis à un recyclage respectueux de l'environnement.</p>	<p>Solo per Paesi UE  Non gettare le apparecchiature elettriche tra i rifiuti domestici.  Secondo la Direttiva Europea 2002/96/CE sui rifiuti di apparecchiature elettriche ed elettroniche e la sua attuazione in conformità alle norme nazionali, le apparecchiature elettriche esauste devono essere raccolte separatamente, al fine di essere reimpiagate in modo eco-compatibile.</p>
	<p><b>Símbolos</b>  <b>⚠ WAARSCHUWING</b>  Hieronder staan symbolen afgebeeld die van toepassing zijn op deze machine. U moet de betekenis hiervan begrijpen voor gebruik.</p>	<p><b>Símbolos</b>  <b>⚠ ADVERTENCIA</b>  A continuación se muestran los símbolos usados para la máquina. Asegúrese de comprender su significado antes del uso.</p>	<p><b>Símbolos</b>  <b>⚠ AVISO</b>  A seguir aparecem os símbolos utilizados pela máquina. Assimile bem seus significados antes do uso.</p>	
	<p><b>Lees alle waarschuwingen en instructies aandachtig door.</b>  Nalating om de waarschuwingen en instructies op te volgen kan in een elektrische schok, brand en/of ernstig letsel resulteren.</p>	<p><b>Lea todas las instrucciones y advertencias de seguridad.</b>  Si no se siguen las advertencias e instrucciones, podría producirse una descarga eléctrica, un incendio y/o daños graves.</p>	<p><b>Leia todas as instruções e avisos de segurança.</b>  Se não seguir todas as instruções e os avisos, pode provocar um choque eléctrico, incêndio e/ou ferimentos graves.</p>	
	<p>Alleen voor EU-landen  Geef elektrisch gereedschap niet met het huisvuil mee!  Volgens de Europese richtlijn 2002/96/EG inzake oude elektrische en elektronische apparaten en de toepassing daarvan binnen de nationale wetgeving, dient gebruikt elektrisch gereedschap gescheiden te worden ingezameld en te worden afgevoerd naar een recycle bedrijf dat voldoet aan de geldende milieu-eisen.</p>	<p>Sólo para países de la Unión Europea  ¡No deseche los aparatos eléctricos junto con los residuos domésticos!  De conformidad con la Directiva Europea 2002/96/CE sobre residuos de aparatos eléctricos y electrónicos y su aplicación de acuerdo con la legislación nacional, las herramientas eléctricas cuya vida útil haya llegado a su fin se deberán recoger por separado y trasladar a una planta de reciclaje que cumpla con las exigencias ecológicas.</p>	<p>Apenas para países da UE  Não deite ferramentas eléctricas no lixo doméstico!  De acordo com a directiva europeia 2002/96/CE sobre ferramentas eléctricas e electrónicas usadas e a transposição para as leis nacionais, as ferramentas eléctricas usadas devem ser recolhidas em separado e encaminhadas a uma instalação de reciclagem dos materiais ecológica.</p>	

## GENERAL POWER TOOL SAFETY WARNINGS

### ⚠ WARNING

Read all safety warnings and all instructions.

Failure to follow the warnings and instructions may result in electric shock, fire and/or serious injury.

Save all warnings and instructions for future reference.

The term "power tool" in the warnings refers to your mains-operated (corded) power tool or battery-operated (cordless) power tool.

#### 1) Work area safety

- a) **Keep work area clean and well lit.**  
*Cluttered or dark areas invite accidents.*
- b) **Do not operate power tools in explosive atmospheres, such as in the presence of flammable liquids, gases or dust.**  
*Power tools create sparks which may ignite the dust or fumes.*
- c) **Keep children and bystanders away while operating a power tool.**  
*Distractions can cause you to lose control.*

#### 2) Electrical safety

- a) **Power tool plugs must match the outlet. Never modify the plug in any way.**  
**Do not use any adapter plugs with earthed (grounded) power tools.**  
*Unmodified plugs and matching outlets will reduce risk of electric shock.*
- b) **Avoid body contact with earthed or grounded surfaces, such as pipes, radiators, ranges and refrigerators.**  
*There is an increased risk of electric shock if your body is earthed or grounded.*
- c) **Do not expose power tools to rain or wet conditions.**  
*Water entering a power tool will increase the risk of electric shock.*
- d) **Do not abuse the cord. Never use the cord for carrying, pulling or unplugging the power tool.**  
**Keep cord away from heat, oil, sharp edges or moving parts.**  
*Damaged or entangled cords increase the risk of electric shock.*
- e) **When operating a power tool outdoors, use an extension cord suitable for outdoor use.**  
*Use of a cord suitable for outdoor use reduces the risk of electric shock.*
- f) **If operating a power tool in a damp location is unavoidable, use a residual current device (RCD) protected supply.**  
*Use of an RCD reduces the risk of electric shock.*

#### 3) Personal safety

- a) **Stay alert, watch what you are doing and use common sense when operating a power tool.**  
**Do not use a power tool while you are tired or under the influence of drugs, alcohol or medication.**  
*A moment of inattention while operating power tools may result in serious personal injury.*
- b) **Use personal protective equipment. Always wear eye protection.**  
*Protective equipment such as dust mask, non-skid safety shoes, hard hat, or hearing protection used for appropriate conditions will reduce personal injuries.*
- c) **Prevent unintentional starting. Ensure the switch is in the off-position before connecting to power source and/or battery pack, picking up or carrying the tool.**

*Carrying power tools with your finger on the switch or energising power tools that have the switch on invites accidents.*

- d) **Remove any adjusting key or wrench before turning the power tool on.**  
*A wrench or a key left attached to a rotating part of the power tool may result in personal injury.*
  - e) **Do not overreach. Keep proper footing and balance at all times.**  
*This enables better control of the power tool in unexpected situations.*
  - f) **Dress properly. Do not wear loose clothing or jewellery. Keep your hair, clothing and gloves away from moving parts.**  
*Loose clothes, jewellery or long hair can be caught in moving parts.*
  - g) **If devices are provided for the connection of dust extraction and collection facilities, ensure these are connected and properly used.**  
*Use of dust collection can reduce dust related hazards.*
- #### 4) Power tool use and care
- a) **Do not force the power tool. Use the correct power tool for your application.**  
*The correct power tool will do the job better and safer at the rate for which it was designed.*
  - b) **Do not use the power tool if the switch does not turn it on and off.**  
*Any power tool that cannot be controlled with the switch is dangerous and must be repaired.*
  - c) **Disconnect the plug from the power source and/or the battery pack from the power tool before making any adjustments, changing accessories, or storing power tools.**  
*Such preventive safety measures reduce the risk of starting the power tool accidentally.*
  - d) **Store idle power tools out of the reach of children and do not allow persons unfamiliar with the power tool or these instructions to operate the power tool.**  
*Power tools are dangerous in the hands of untrained users.*
  - e) **Maintain power tools. Check for misalignment or binding of moving parts, breakage of parts and any other condition that may affect the power tool's operation.**  
**If damaged, have the power tool repaired before use.**  
*Many accidents are caused by poorly maintained power tools.*
  - f) **Keep cutting tools sharp and clean.**  
*Properly maintained cutting tools with sharp cutting edges are less likely to bind and are easier to control.*
  - g) **Use the power tool, accessories and tool bits etc. in accordance with these instructions, taking into account the working conditions and the work to be performed.**  
*Use of the power tool for operations different from those intended could result in a hazardous situation.*
- #### 5) Service
- a) **Have your power tool serviced by a qualified repair person using only identical replacement parts.**  
*This will ensure that the safety of the power tool is maintained.*

### PRECAUTION

Keep children and infirm persons away.

When not in use, tools should be stored out of reach of children and infirm persons.

**ROTARY HAMMER SAFETY WARNINGS**

1. **Wear ear protectors**  
Exposure to noise can cause hearing loss.
2. **Use auxiliary handles supplied with the tool.**  
Loss of control can cause personal injury.
3. Do not touch the bit during or immediately after operation. The bit becomes very hot during operation and could cause serious burns.
4. Before starting to break, chip or drill into a wall, floor or ceiling, thoroughly confirm that such items as electric cables or conduits are not buried inside.
5. Always hold the body handle and side handle of the power tool firmly. Otherwise the counterforce produced may result in inaccurate and even dangerous operation.
6. **Wear a dust mask**  
Do not inhale the harmful dusts generated in drilling or chiseling operation. The dust can endanger the health of yourself and bystanders.

**SPECIFICATIONS**

Model	DH24PB3	DH24PC3
Voltage (by areas)*	(110V, 115V, 120V, 127V, 220V, 230V, 240V) ~	
Power Input	800W*	
No-load speed	0 – 1050 min <sup>-1</sup>	0 – 1150 min <sup>-1</sup>
Full-load impact rate	0 – 4600 min <sup>-1</sup>	
Capacity: concrete	3.4 – 24 mm	
steel	13 mm	
wood	32 mm	
Weight (without cord and side handle)	2.3 kg	2.4 kg

\* Be sure to check the nameplate on product as it is subject to change by areas.

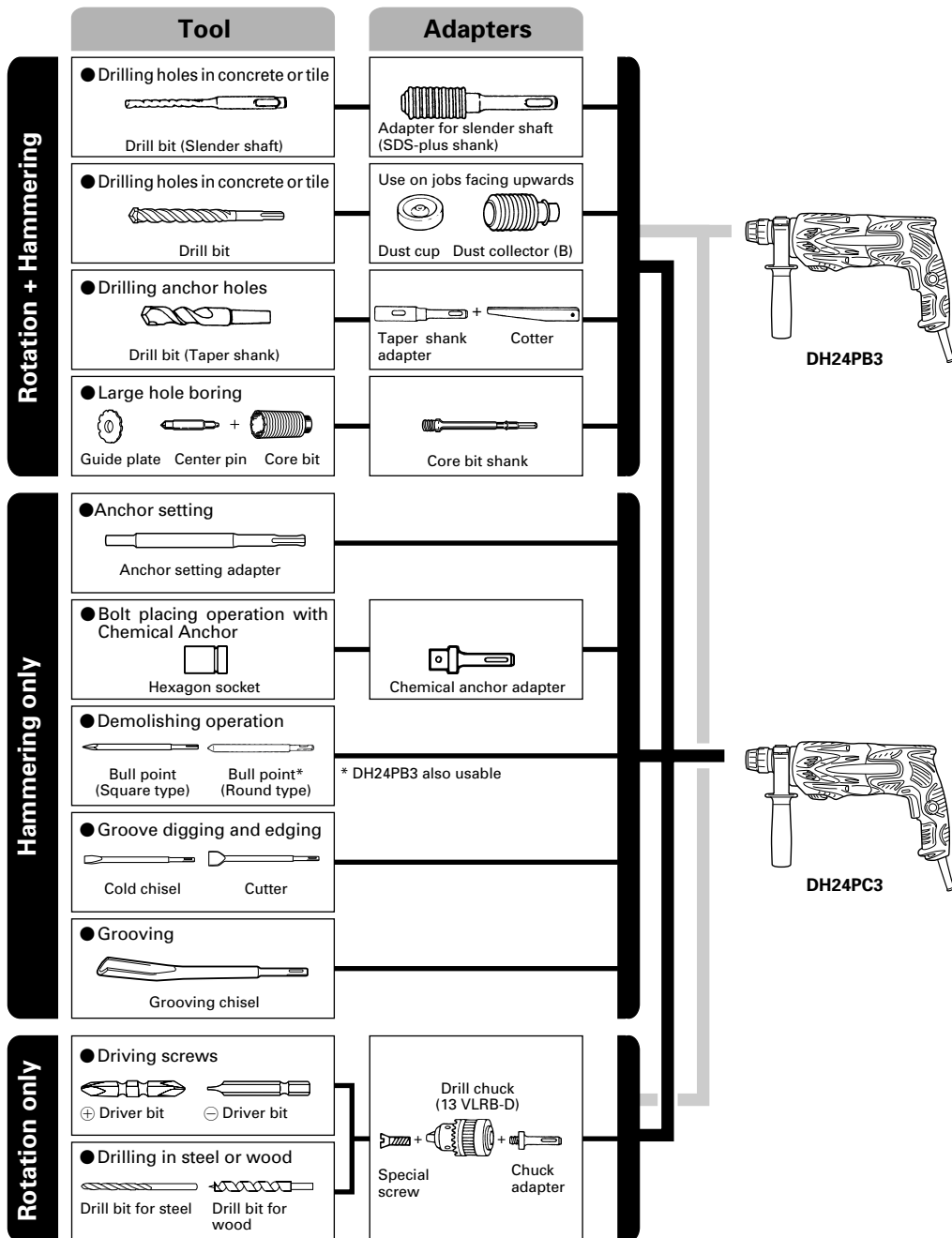
**STANDARD ACCESSORIES**

- (1) Plastic case ..... 1
- (2) Side handle ..... 1
- (3) Depth gauge ..... 1

Standard accessories are subject to change without notice.



**OPTIONAL ACCESSORIES (sold separately)**



● Drilling holes in concrete or tile

Drill bit (slender shaft)		
Outer dia.	Overall length	Effective length
3.4 mm	90 mm	45 mm
3.5 mm		

SDS-plus Drill bit		
Outer dia.	Overall length	Effective length
4.0 mm	110 mm	50 mm
5.0 mm	110 mm	50 mm
	160 mm	100 mm
5.5 mm	110 mm	50 mm
6.5 mm	160 mm	100 mm
7.0 mm	160 mm	100 mm
8.0 mm	160 mm	100 mm
8.5 mm	160 mm	100 mm
9.0 mm	160 mm	100 mm
12.0 mm	166 mm	100 mm
	260 mm	200 mm
12.7 mm	166 mm	100 mm
14.0 mm	166 mm	100 mm
15.0 mm	166 mm	100 mm
16.0 mm	166 mm	100 mm
	260 mm	200 mm
17.0 mm	166 mm	100 mm
19.0 mm	260 mm	200 mm
20.0 mm	250 mm	200 mm
22.0 mm	250 mm	200 mm
25.0 mm	450 mm	400 mm
30.0 mm	450 mm	400 mm

● Drilling anchor holes

Taper shank adapter Taper mode
Morse taper No.1
Morse taper No.2
A-Taper
B-taper

Optional accessories are subject to change without notice.

● Large hole boring

Core bit Outer dia.	Center pin	Core bit shank Overall length
25 mm*	Not applicable	105 mm 300 mm
29 mm*		
32 mm	(A)	
35 mm		
38 mm	(B)	300 mm
45 mm		
50 mm		

\* Without guide plate

● Anchor setting

Anchor setting adapter Anchor size
W 1/4"
W 5/16"
W 3/8"
W 1/2"
W 5/8"

## APPLICATIONS

(DH24PB3 • DH24PC3)

Rotation and hammering function

- Drilling anchor holes
- Drilling holes in concrete
- Drilling holes in tile

Rotation only function

- Drilling in steel or wood (with optional accessories)
- Tightening machine screws, wood screws (with optional accessories)

(DH24PC3 only)

Hammering only function

- Light-duty chiselling of concrete, groove digging and edging.

## PRIOR TO OPERATION

### 1. Power source

Ensure that the power source to be utilized conforms to the power requirements specified on the product nameplate.

### 2. Power switch

Ensure that the power switch is in the OFF position. If the plug is connected to a power receptacle while the power switch is in the ON position, the power tool will start operating immediately, which could cause a serious accident.

### 3. Extension cord

When the work area is removed from the power source, use an extension cord of sufficient thickness and rated capacity. The extension cord should be kept as short as practicable.

### 4. Mounting the drill bit (Fig. 1)

#### CAUTION

To prevent accidents, make sure to turn the switch off and disconnect the plug from the receptacle.

#### NOTE

When using tools such as bull points, drill bits, etc., make sure to use the genuine parts designated by our company.

- (1) Clean the shank portion of the drill bit.
- (2) Insert the drill bit in a twisting manner into the tool holder until it latches itself (Fig. 1).
- (3) Check the latching by pulling on the drill bit.
- (4) To remove the drill bit, fully pull the grip in the direction of the arrow and pull out the drill bit (Fig. 2).

### 5. Installation of dust cup or dust collector (B) (Optional accessories) (Fig. 3, Fig. 4)

When using a rotary hammer for upward drilling operations attach a dust cup or dust collector (B) to collect dust or particles for easy operation.

- Installing the dust cup  
Use the dust cup by attaching to the drill bit as shown in Fig. 3.  
When using a bit which has big diameter, enlarge the center hole of the dust cup with this rotary hammer.
- Installing dust collector (B)  
When using dust collector (B), insert dust collector (B) from the tip of the bit by aligning it to the groove on the grip (Fig. 4).

#### CAUTION

- The dust cup and dust collector (B) are for exclusive use of concrete drilling work. Do not use them for wood or metal drilling work.

- Insert dust collector (B) completely into the chuck part of the main unit.
- When turning the rotary hammer on while dust collector (B) is detached from a concrete surface, dust collector (B) will rotate together with the drill bit. Make sure to turn on the switch after pressing the dust cup on the concrete surface. (When using dust collector (B) attached to a drill bit that has more than 190 mm of overall length, dust collector (B) cannot touch the concrete surface and will rotate. Therefore please use dust collector (B) by attaching to drill bits which have 166 mm, 160 mm, and 110 mm overall length.)
- Dump particles after every two or three holes when drilling.
- Please replace the drill bit after removing dust collector (B).

### 6. Selecting the driver bit

Screw heads or bits will be damaged unless a bit appropriate for the screw diameter is employed to drive in the screws.

### 7. Confirm the direction of bit rotation (Fig. 5)

The bit rotates clockwise (viewed from the rear side) by pushing the R-side of the push button.

The L-side of the push button is pushed to turn the bit counterclockwise.

## HOW TO USE

### CAUTION

To prevent accidents, make sure to turn the switch off and disconnect the plug from the receptacle when the drill bits and other various parts are installed or removed. The power switch should also be turned off during a work break and after work.


### 1. Switch operation

The rotation speed of the drill bit can be controlled steplessly by varying the amount that the trigger switch is pulled. Speed is low when the trigger switch is pulled slightly and increases as the switch is pulled more. Continuous operation may be attained by pulling the trigger switch and depressing the stopper. To turn the switch OFF, pull the trigger switch again to disengage the stopper, and release the trigger switch to its original position.

However, the switch trigger can only be pulled in halfway during reverse and rotates at half the speed of forward operation.

The switch stopper is unusable during reverse.

### 2. Rotation + hammering

This rotary hammer can be set to rotation and hammering mode by pressing the push button and turning the change lever to the  mark (Fig. 6 or Fig 7).

- (1) Mount the drill bit.
- (2) Pull the trigger switch after applying the drill bit tip to the drilling position (Fig. 8).
- (3) Pushing the rotary hammer forcibly is not necessary at all. Pushing slightly so that drill dust comes out gradually is sufficient.

#### CAUTION

When the drill bit touches construction iron bar, the bit will stop immediately and the rotary hammer will react to revolve. Therefore grip the side handle and handle tightly as shown in Fig. 8.

### 3. Rotation only

This rotary hammer can be set to rotation only mode by pressing the push button and turning the change lever to the **R** mark (Fig. 9 or Fig. 10).

To drill wood or metal material using the drill chuck and chuck adapter (optional accessories), proceed as follows.

Installing drill chuck and chuck adapter (Fig. 11).

- (1) Attach the drill chuck to the chuck adapter.
- (2) The part of the SDS-plus shank is the same as the drill bit. Therefore, refer to the item of "Mounting the drill bit" for attaching it.

#### CAUTION

- Application of force more than necessary will not only expedite the work, but will deteriorate the tip edge of the drill bit and reduce the service life of the rotary hammer in addition.
- Drill bits may snap off while withdrawing the rotary hammer from the drilled hole. For withdrawing, it is important to use a pushing motion.
- Do not attempt to drill anchor holes or holes in concrete with the machine set in the rotation only function.
- Do not attempt to use the rotary hammer in the rotation and striking function with the drill chuck and chuck adapter attached. This would seriously shorten the service life of every component of the machine.

### 4. When driving machine screws (Fig. 12)

First, insert the bit into the socket in the end of chuck adapter (D).

Next, mount chuck adapter (D) on the main unit using procedures described in 4 (1), (2), (3), put the tip of the bit in the slots in the head of the screw, grasp the main unit and tighten the screw.

#### CAUTION

- Exercise care not to excessively prolong driving time, otherwise, the screws may be damaged by excessive force.
- Apply the rotary hammer perpendicularly to the screw head when driving the screw; otherwise, the screw head or bit will be damaged, or driving force will not be fully transferred to the screw.
- Do not attempt to use the rotary hammer in the rotation and striking function with the chuck adapter and bit attached.

### 5. When driving wood screws (Fig. 12)

- (1) Selecting a suitable driver bit  
Employ plus-head screws, if possible, since the driver bit easily slips off the heads of minus-head screws.
- (2) Driving in wood screws
  - Prior to driving in wood screws, make pilot holes suitable for them in the wooden board. Apply the bit to the screw head grooves and gently drive the screws into the holes.
  - After rotating the rotary hammer at low speed for a while until the wood screw is partly driven into the wood, squeeze the trigger more strongly to obtain the optimum driving force.

#### CAUTION

Exercise care in preparing a pilot hole suitable for the wood screw taking the hardness of the wood into consideration. Should the hole be excessively small or shallow, requiring much power to drive the screw into it, the thread of the wood screw may sometimes be damaged.

### 6. Hammering only (DH24PC3 only)

This rotary hammer can be set to hammering only mode by pressing the push button and turning the change lever to the **H** mark (Fig. 13).

- (1) Mount the bull point or cold chisel.
- (2) Press the push button and set the change lever to middle of **H** mark and **H** mark (Fig. 14).  
The rotation is released, turn the grip and adjust the cold chisel to desired position (Fig. 15).
- (3) Turn the change lever to **H** mark (Fig. 13).  
Then bull point or cold chisel is locked.

### 7. Using depth gauge (Fig. 16)

- (1) Loosen the knob on the side handle, and insert the depth gauge into the mounting hole on the side handle.
- (2) Adjust the depth gauge position according to the depth of the hole and tighten the knob securely.

### 8. How to use the drill bit (taper shank) and the taper shank adapter

- (1) Mount the taper shank adapter to the rotary hammer (Fig. 17).
- (2) Mount the drill bit (taper shank) to the taper shank adapter (Fig. 17).
- (3) Turn the switch ON, and drill a hole in prescribed depth.
- (4) To remove the drill bit (taper shank), insert the cotter into the slot of the taper shank adapter and strike the head of the cotter with a hammer supporting on a rests (Fig. 18).

---

## HOW TO USE THE CORE BIT (FOR LIGHT LOAD)

---

When boring penetrating large holes use the core bit (for light loads). At that time use with the center pin and the core bit shank provided as optional accessories.

### 1. Mounting

#### CAUTION

Be sure to turn power OFF and disconnect the plug from the receptacle.

- (1) Mount the core bit to the core bit shank (Fig. 19).  
Lubricate the thread of the core bit shank to facilitate disassembly.
- (2) Mount the core bit to the rotary hammer (Fig. 20).
- (3) Insert the center pin into the guide plate until it stops.
- (4) Engage the guide plate with the core bit, and turn the guide plate to the left or the right so that it does not fall even if it faces downward (Fig. 21).

### 2. How to bore (Fig. 22)

- (1) Connect the plug to the power source.
- (2) A spring is installed in the center pin.  
Push it lightly to the wall or the floor straight.  
Connect the core bit tip flush to the surface and start operating.
- (3) When boring about 5 mm in depth the position of the hole will be established. Bore after that removing the center pin and the guide plate from core bit.
- (4) Application of excessive force will not only expedite the work, but will deteriorate the tip edge of the drill bit, resulting in reduced service life of the rotary hammer.

#### CAUTION

When removing the center pin and the guide plate, turn OFF the switch and disconnect the plug from the receptacle.

**3. Dismounting (Fig. 23)**

Remove the core bit shank from the rotary hammer and strike the head of the core bit shank strongly two or three times with a hammer holding the core bit, then the thread becomes loose and the core bit can be removed.

**LUBRICATION**

Low viscosity grease is applied to this rotary hammer so that it can be used for a long period without replacing the grease. Please contact the nearest service center for grease replacement when any grease is leaking from loosened screw.

Further use of the rotary hammer with lock off grease will cause the machine to seize up reduce the service life.

**CAUTION**

A special grease is used with this machine, therefore, the normal performance of the machine may be badly affected by use of other grease. Please be sure to let one of our service agents undertake replacement of the grease.

**MAINTENANCE AND INSPECTION****1. Inspecting the drill bits**

Since use of a dull tool will cause motor malfunctioning and degraded efficiency, replace the drill bit with new ones or resharpen them without delay when abrasion is noted.

**2. Inspecting the mounting screws**

Regularly inspect all mounting screws and ensure that they are properly tightened. Should any of the screws be loose, retighten them immediately. Failure to do so could result in serious hazard.

**3. Maintenance of the motor**

The motor unit winding is the very "heart" of the power tool. Exercise due care to ensure the winding does not become damaged and/or wet with oil or water.

**4. Inspecting the carbon brushes**

For your continued safety and electrical shock protection, carbon brush inspection and replacement on this tool should ONLY be performed by a HITACHI Authorized Service Center.

**5. Replacing supply cord**

If the supply cord of Tool is damaged, the Tool must be returned to Hitachi Authorized Service Center for the cord to be replaced.

**6. Service parts list**

- A: Item No.
- B: Code No.
- C: No. Used
- D: Remarks

**CAUTION**

Repair, modification and inspection of Hitachi Power Tools must be carried out by an Hitachi Authorized Service Center.

This Parts List will be helpful if presented with the tool to the Hitachi Authorized Service Center when requesting repair or other maintenance.

In the operation and maintenance of power tools, the safety regulations and standards prescribed in each country must be observed.

**MODIFICATIONS**

Hitachi Power Tools are constantly being improved and modified to incorporate the latest technological advancements.

Accordingly, some parts (i.e. code numbers and/or design) may be changed without prior notice.

**NOTE**

Due to HITACHI's continuing program of research and development, the specifications herein are subject to change without prior notice.

**IMPORTANT**

Correct connection of the plug

The wires of the mains lead are coloured in accordance with the following code:

- Blue: -Neutral
- Brown: -Live

As the colours of the wires in the mains lead of this tool may not correspond with the coloured markings identifying the terminals in your plug proceed as follows: The wire coloured blue must be connected to the terminal marked with the letter N or coloured black. The wire coloured brown must be connected to the terminal marked with the letter L or coloured red. Neither core must be connected to the earth terminal.

**NOTE**

This requirement is provided according to BRITISH STANDARD 2769: 1984.

Therefore, the letter code and colour code may not be applicable to other markets except The United Kingdom.

**Information concerning airborne noise and vibration**

The measured values were determined according to EN60745 and declared in accordance with ISO 4871.

**DH24PB3/DH24PC3**

Measured A-weighted sound power level: 106 dB (A).  
Measured A-weighted sound pressure level: 93 dB (A).  
Uncertainty KpA: 3 dB (A).

Wear ear protection.

The typical weighted root mean square acceleration value: 8.6 m/s<sup>2</sup> (**DH24PB3**).  
8.5 m/s<sup>2</sup> (**DH24PC3**).

## ALLGEMEINE SICHERHEITSHINWEISE FÜR ELEKTROGERÄTE

### WARNUNG

Lesen Sie sämtliche Sicherheitshinweise und Anweisungen durch. Wenn die Warnungen und Anweisungen nicht befolgt werden, kann es zu Stromschlag, Brand und/oder ernsthaften Verletzungen kommen.

Bitte bewahren Sie alle Warnhinweise und Anweisungen zum späteren Nachschlagen auf.

Der Begriff „Elektrowerkzeug“ bezieht sich in den Warnhinweisen auf Elektrowerkzeuge mit Netz- (schnurgebunden) oder Akkubetrieb (schnurlos).

#### 1) Sicherheit im Arbeitsbereich

- a) Sorgen Sie für einen sauberen und gut ausgeleuchteten Arbeitsbereich.  
Zugestellte oder dunkle Bereiche ziehen Unfälle förmlich an.
- b) Verwenden Sie Elektrowerkzeuge niemals an Orten, an denen Explosionsgefahr besteht – zum Beispiel in der Nähe von leicht entflammaren Flüssigkeiten, Gasen oder Stäuben.  
Bei der Arbeit mit Elektrowerkzeugen kann es zu Funkenbildung kommen, wodurch sich Stäube oder Dämpfe entzünden können.
- c) Sorgen Sie bei der Arbeit mit Elektrowerkzeugen dafür, dass sich keine Zuschauer (insbesondere Kinder) in der Nähe befinden.  
Wenn Sie abgelenkt werden, können Sie die Kontrolle über das Werkzeug verlieren.

#### 2) Elektrische Sicherheit

- a) Elektrowerkzeuge müssen mit passender Stromversorgung betrieben werden.  
Nehmen Sie niemals irgendwelche Änderungen am Anschlussstecker vor.  
Verwenden Sie bei Elektrowerkzeugen mit Schutzkontakt (geerdet) niemals Adapterstecker.  
Stecker im Originalzustand und passende Steckdosen reduzieren das Stromschlagrisiko.
- b) Vermeiden Sie Körperkontakt mit geerdeten Gegenständen wie Rohrleitungen, Heizungen, Herden oder Kühlschränken.  
Bei Körperkontakt mit geerdeten Gegenständen besteht ein erhöhtes Stromschlagrisiko.
- c) Setzen Sie Elektrowerkzeuge niemals Regen oder sonstiger Feuchtigkeit aus.  
Wenn Flüssigkeiten in ein Elektrowerkzeug eindringen, erhöht sich das Stromschlagrisiko.
- d) Verwenden Sie die Anschlusschnur nicht missbräuchlich. Tragen Sie das Elektrowerkzeug niemals an der Anschlusschnur, ziehen Sie es nicht damit heran und ziehen Sie den Stecker nicht an der Anschlusschnur aus der Steckdose.  
Halten Sie die Anschlusschnur von Hitzequellen, Öl, scharfen Kanten und beweglichen Teilen fern.  
Beschädigte oder verdrehte Anschlusschnüre erhöhen das Stromschlagrisiko.
- e) Wenn Sie ein Elektrowerkzeug im Freien benutzen, verwenden Sie ein für den Außeneinsatz geeignetes Verlängerungskabel.  
Ein für den Außeneinsatz geeignetes Kabel vermindert das Stromschlagrisiko.
- f) Falls sich der Betrieb des Elektrowerkzeuges in feuchter Umgebung nicht vermeiden lässt, verwenden Sie eine Stromversorgung mit Fehlerstromschutzeinrichtung (Residual Current Device, RCD).  
Durch den Einsatz einer Fehlerstromschutzeinrichtung wird das Risiko eines elektrischen Schlages reduziert.

#### 3) Persönliche Sicherheit

- a) Bleiben Sie wachsam, achten Sie auf das, was Sie tun, und setzen Sie Ihren Verstand ein, wenn Sie mit Elektrowerkzeugen arbeiten.  
Benutzen Sie keine Elektrowerkzeuge, wenn Sie müde sind oder unter Einfluss von Drogen, Alkohol oder Medikamenten stehen.  
Bei der Arbeit mit Elektrowerkzeugen können bereits kurze Phasen der Unaufmerksamkeit zu schweren Verletzungen führen.
  - b) Benutzen Sie eine persönliche Schutzausrüstung. Tragen Sie immer einen Augenschutz.  
Schutzausrüstung wie Staubmaske, rutschsichere Sicherheitsschuhe, Schutzhelm und Gehörschutz senken das Verletzungsrisiko bei angemessenem Einsatz.
  - c) Vermeiden Sie unbeabsichtigten Anlauf. Achten Sie darauf, dass sich der Schalter in der Aus- (Off-) Position befindet, ehe Sie das Gerät mit der Stromversorgung und/oder Batteriestromversorgung verbinden, es aufheben oder herumtragen.  
Das Herumtragen von Elektrowerkzeugen mit dem Finger am Schalter oder das Herstellen der Stromversorgung bei betätigtem Schalter zieht Unfälle regelrecht an.
  - d) Entfernen Sie sämtliche Einstellwerkzeuge (Einstellschlüssel), ehe Sie das Elektrowerkzeug einschalten.  
Ein an einem beweglichen Teil des Elektrowerkzeuges angebrachter Schlüssel kann zu Verletzungen führen.
  - e) Sorgen Sie für einen festen Stand. Achten Sie jederzeit darauf, sicher zu stehen und das Gleichgewicht zu bewahren.  
Dadurch haben Sie das Elektrowerkzeug in unerwarteten Situationen besser im Griff.
  - f) Kleiden Sie sich richtig. Tragen Sie keine lose Kleidung oder Schmuck. Halten Sie Haar, Kleidung und Handschuhe von beweglichen Teilen fern.  
Lose Kleidung, Schmuck oder langes Haar kann von beweglichen Teilen erfasst werden.
  - g) Wenn Anschlüsse für Staubabsaug- und -sammelvorrichtungen vorhanden sind, sorgen Sie dafür, dass diese richtig angeschlossen und eingesetzt werden.  
Durch Entfernen des Staubes können staubbezogene Gefahren vermindert werden.
- #### 4) Einsatz und Pflege von Elektrowerkzeugen
- a) Überansprechen Sie Elektrowerkzeuge nicht. Benutzen Sie das richtige Elektrowerkzeug für Ihren Einsatzzweck.  
Das richtige Elektrowerkzeug erledigt seine Arbeit bei bestimmungsgemäßem Einsatz besser und sicherer.
  - b) Benutzen Sie das Elektrowerkzeug nicht, wenn es sich nicht am Schalter ein- und ausschalten lässt.  
Jedes Elektrowerkzeug, das nicht mit dem Schalter betätigt werden kann, stellt eine Gefahr dar und muss repariert werden.
  - c) Stecken Sie den Stecker der Stromversorgung oder Batteriestromversorgung vom Gerät ab, ehe Sie Einstellarbeiten vornehmen, Zubehöerteile tauschen oder das Elektrowerkzeug verstauen.  
Solche präventiven Sicherheitsmaßnahmen verhindern den unbeabsichtigten Anlauf des Elektrowerkzeugs und die damit verbundenen Gefahren.
  - d) Lagern Sie nicht benutzte Elektrowerkzeuge außerhalb der Reichweite von Kindern, lassen Sie nicht zu, dass Personen das Elektrowerkzeug bedienen, die nicht mit dem Werkzeug selbst und/oder diesen Anweisungen vertraut sind.  
Elektrowerkzeuge in ungeschulten Händen sind gefährlich.
  - e) Halten Sie Elektrowerkzeuge in Stand. Prüfen Sie auf Fehlausrichtungen, sicheren Halt und Leichtgängigkeit beweglicher Teile, Beschädigungen von Teilen und auf jegliche andere Zustände, die sich auf den Betrieb des Elektrowerkzeuges auswirken können.

Bei Beschädigungen lassen Sie das Elektrowerkzeug reparieren, ehe Sie es benutzen.

Viele Unfälle mit Elektrowerkzeugen sind auf schlechte Wartung zurückzuführen.

- f) Halten Sie Schneidwerkzeuge scharf und sauber.  
Richtig gewartete Schneidwerkzeuge mit scharfen Schneidkanten bleiben weniger häufig hängen und sind einfacher zu beherrschen.
  - g) Benutzen Sie Elektrowerkzeuge, Zubehör, Werkzeugspitzen und Ähnliches in Übereinstimmung mit diesen Anweisungen – beachten Sie dabei die jeweiligen Arbeitsbedingungen und die Art und Weise der auszuführenden Arbeiten.  
Der Gebrauch des Elektrowerkzeuges für andere als die vorgesehenen Anwendungen kann zu gefährlichen Situationen führen.
- 5) Service
- a) Lassen Sie Elektrowerkzeuge durch qualifizierte Fachkräfte und unter Einsatz passender, zugelassener Originalteile warten.  
Dies sorgt dafür, dass die Sicherheit des Elektrowerkzeugs nicht beeinträchtigt wird.

**VORSICHT**

Von Kindern und gebrechlichen Personen fernhalten.

Werkzeuge sollten bei Nichtgebrauch außerhalb der Reichweite von Kindern und gebrechlichen Personen aufbewahrt werden.

**SICHERHEITSHINWEISE FÜR DEN BOHRHAMMER**

1. **Tragen Sie Ohrenschützer**  
Starke und/oder dauerhafte Lärmbelastung kann zu Gehörverlust führen.
2. **Benutzen Sie die mit dem Werkzeug gelieferten Zusatzgriffe.**  
Wenn Sie die Kontrolle über das Werkzeug verlieren, kann es zu Verletzungen kommen.
3. Die Bohrerspitze während oder unmittelbar nach dem Betrieb nicht berühren. Die Bohrerspitze wird während des Betriebs sehr heiß, sobaß es zu ernsthaften Verbrennungen führen könnte.
4. Bevor man on der Wand, im Boden oder an der Decke etwas ausbricht, meißelt oder bohrt, muß man sich sorgfältig davon überzeugen, ob keine elektrischen Kabel oder Kabelrohre darunter liegen.
5. Immer den körper-Handgriff und Seiten-Handgriff des Elektrowerkzeugs festhalten, weil die entstehende Gegenkraft sonst zu einem ungenauen und gefährlichen Arbeiten führt.
6. Tragen Sie eine Staubschutzmaske  
Atmen Sie die schädlichen Stäube nicht ein, die beim Bohren und Meißeln entstehen. Die Stäube können Ihre und die Gesundheit von Zuschauern gefährden.

**TECHNISCHE DATEN**

Modell	DH24PB3	DH24PC3
Spannung (je nach Gebiet)*	(110V, 115V, 120V, 127V, 220V, 230V, 240V) ~	
Leistungsaufnahme	800W*	
Leerlaufdrehzahl	0 – 1050 min <sup>-1</sup>	0 – 1150 min <sup>-1</sup>
Vollastschlagzahl	0 – 4600 min <sup>-1</sup>	
Kapazität: Beton	3,4 – 24 mm	
Stahl	13 mm	
Holz	32 mm	
Gewicht (ohne Kabel und Handgriff)	2,3 kg	2,4 kg

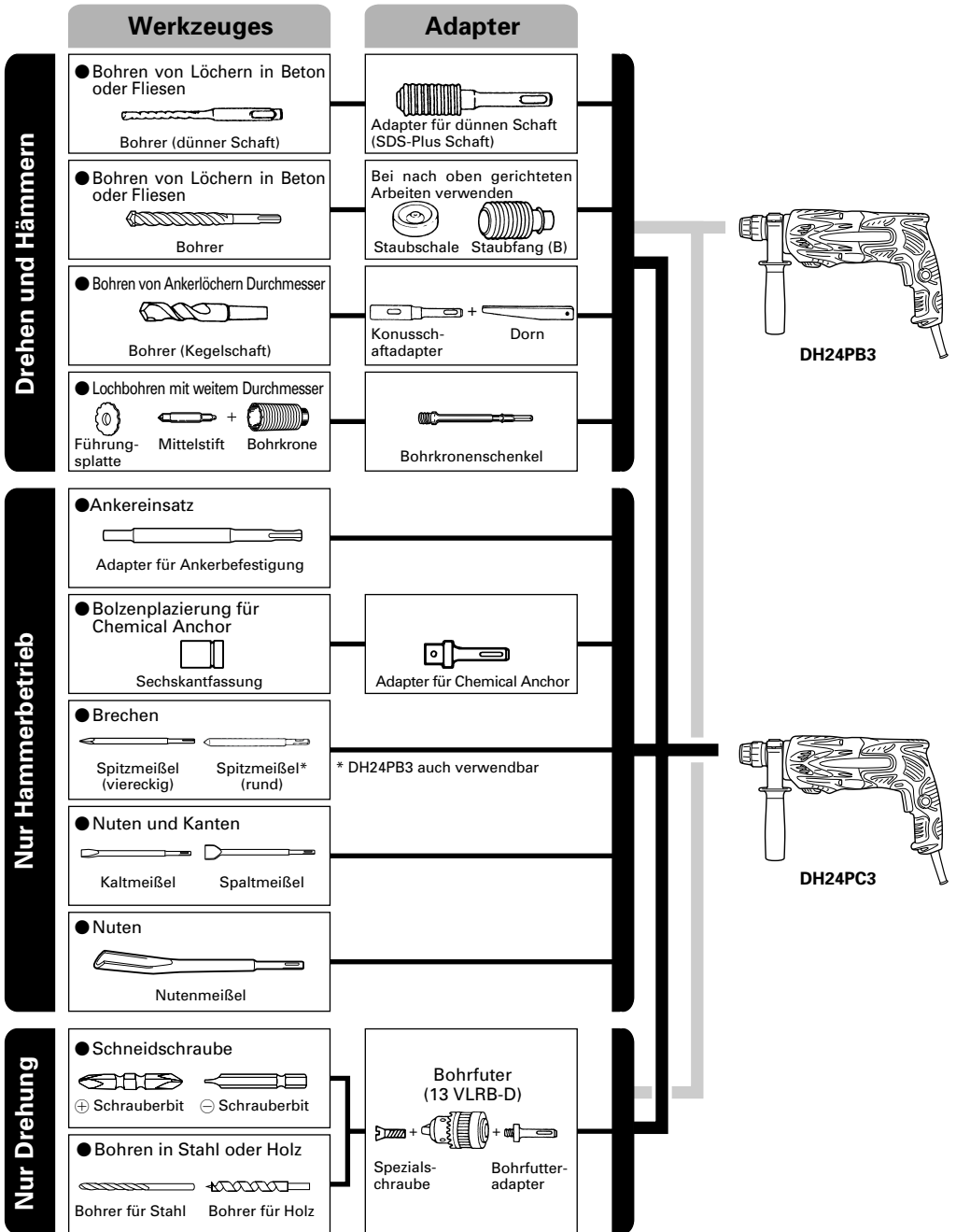
\* Vergessen Sie nicht, die Produktangaben auf dem Typenschild zu überprüfen, da sich diese je nach Verkaufsgebiet ändern.

**STANDARDZUBEHÖR**

- (1) Plastikgehäuse ..... 1
- (2) Handgriff ..... 1
- (3) Tiefenmesser ..... 1

Das Standardzubehör kann ohne vorherige Bekanntmachung jederzeit geändert werden.

SONDERZUBEHÖR (separat zu beziehen)





● Bohren von Löchern in Beton oder Fliesen

Bohrer (dünner Schaft)		
Außendurchm.	Gesamtlänge	Arbeitslänge
3,4 mm	90 mm	45 mm
3,5 mm		

SDS-plus-Bohrer		
Außendurchm.	Gesamtlänge	Arbeitslänge
4,0 mm	110 mm	50 mm
5,0 mm	110 mm	50 mm
	160 mm	100 mm
5,5 mm	110 mm	50 mm
6,5 mm	160 mm	100 mm
7,0 mm	160 mm	100 mm
8,0 mm	160 mm	100 mm
8,5 mm	160 mm	100 mm
9,0 mm	160 mm	100 mm
12,0 mm	166 mm	100 mm
	260 mm	200 mm
12,7 mm	166 mm	100 mm
14,0 mm	166 mm	100 mm
15,0 mm	166 mm	100 mm
16,0 mm	166 mm	100 mm
	260 mm	200 mm
17,0 mm	166 mm	100 mm
19,0 mm	260 mm	200 mm
20,0 mm	250 mm	200 mm
22,0 mm	250 mm	200 mm
25,0 mm	450 mm	400 mm
30,0 mm	450 mm	400 mm

● Bohren von Ankerlöchern

Konusschaftadapter Kegelmodus
Morsekonus (Nr.1)
Morsekonus (Nr.2)
A-Konus
B-Konus

● Lochbohren mit weitem Durchmesser

Bohrkrone Außendurchm.	Mittelstift	Bohrkronenschenkel Gesamtlänge
25 mm*	Nicht zutreffend	105 mm 300 mm
29 mm*		
32 mm	(A)	
35 mm		
38 mm	(B)	300 mm
45 mm		
50 mm		

\* Ohne Führungsplatte

● Ankereinsatz

Adapter für Ankerbefestigung Ankergröße
W 1/4"
W 5/16"
W 3/8"
W 1/2"
W 5/8"

Das Sonderzubehöre kann ohne vorherige Bekanntmachung jederzeit geändert werden.

## ANWENDUNGEN

(DH24PB3 • DH24PC3)

Dreh- und Hämmerfunktion

- Bohren von Ankerlöchern
- Bohren von Löchern in Beton
- Bohren von Löchern in Kachel

Nur Drehbohrfunktion

- Bohren in Stahl oder Holz (mit Sonderzubehör)
- Anziehen von Maschinenschrauben, Holzschrauben (mit Sonderzubehör)

(Nur DH24PC3)

Nur Hammer-Betrieb

- Leichtes Abmeißeln von Beton, Nuten und Kanten.

## VOR INBETRIEBNAHME

### 1. Netzspannung

Prüfen, daß die zu verwendende Netzspannung der Angabe auf dem Typenschild entspricht.

### 2. Netzschalter

Prüfen, daß der Netzschalter auf „AUS“ steht. Wenn der Stecker an das Netz angeschlossen wird, während der Schalter auf „EIN“ steht, beginnt das Werkzeug sofort zu laufen, was gefährlich ist.

### 3. Verlängerungskabel

Wenn der Arbeitsbereich nicht in der Nähe des Netzanschlusses liegt, ist ein Verlängerungskabel ausreichenden Querschnitts und ausreichender Nennleistung zu verwenden. Das Verlängerungskabel sollte so kurz wie möglich gehalten werden.

### 4. Anbringen des Bohreinsatzes (Abb. 1)

#### ACHTUNG

Stellen Sie zur Verhütung von Unfällen sicher, dass der Schalter ausgeschaltet und der Stecker aus der Steckdose gezogen ist.

#### HINWEIS

Achten Sie bei der Verwendung von Werkzeugen wie Meißeln, Bohrern usw. darauf, von unserer Firma bezeichnete Markenteile zu verwenden.

- (1) Reinigen Sie den Schaftabschnitt des Bohrers.
- (2) Schieben Sie den Bohrer unter Drehung in den Werkzeughalter ein, bis er sich verriegelt (**Abb. 1**).
- (3) Überprüfen Sie die Verriegelung durch Ziehen am Bohrer.
- (4) Zum Entfernen des Bohrers den Griff in Pfeilrichtung ziehen, und den Bohrer herausziehen (**Abb. 2**).
5. **Beim Installieren der Staubschale oder des Staubfangs (B) (Sonderzubehör) (Abb. 3, Abb. 4)**

Wenn ein Bohrhämmer zum Bohren nach oben ohne Staubfangadapter verwendet wird, eine Staubkappe oder einen Staubfang (B) zum Auffangen von Staub und Partikeln zum leichten Betrieb anbringen.

- Anbringen der Staubschale  
Die Staubschale durch Anbringen an die Bohrspitze wie in **Abb. 3** gezeigt verwenden.  
Bei Bohrspitzen mit großem Durchmesser das Mittenloch der Staubschale mit diesem Bohrhämmer vergrößern.
- Anbringen des Staubfangs (B)  
Bei Verwendung des Staubfangs (B) den Staubfang (B) von der Spitze der Bohrspitze einführen, und an die Rille an der Spitze ansetzen (**Abb. 4**).

## ACHTUNG

- Die Staubschale und der Staubfang (B) sind nur für Bohren in Beton gedacht. Nicht für Bohrarbeiten in Holz oder Metall verwenden.
  - Den Staubfang (B) vollständig in den Futterteil der Haupteinheit einsetzen.
  - Wenn am Bohrhämmer gedreht wird, während die Staubfang (B) von der Betonoberfläche abgenommen ist, dreht sich die Staubfang (B) zusammen mit der Bohrspitze. Immer am Schalter drehen, nachdem die Staubschale auf die Betonoberfläche gedrückt ist. (Bei Verwendung der Staubfang (B) durch Anbringen einer Bohrspitze mit mehr als 190 mm Gesamtlänge kann die Staubfang (B) nicht die Betonoberfläche berühren und dreht sich. Darum immer Bohrspitzen mit 166, 160 und 110 mm Gesamtlänge verwenden.)
  - Nach dem Bohren von zwei oder drei Löchern den Inhalt der Staubfang (B) ausleeren.
  - Die Bohrspitze nach dem Abnehmen der Staubfang (B) austauschen.
- ### 6. Wahl der Schrauberspitze
- Falls die Schrauberspitze dem Schraubendurchschnitt nicht anpassend wird, werden Schraubenkopf und Schrauberspitze beschädigt.
- ### 7. Die Drehrichtung der Bohrspitze prüfen (Abb. 5)
- Der Bohrer dreht sich im Uhrzeigersinn (gesehen von hinten). Wenn die R-Seite des Druckknopfs gedrückt wird. Wenn die L-Seite des Bohrers gedrückt wird, dreht sich der Bohrer gegen den Uhrzeigersinn.

## GEBRAUCHSANWEISUNG

### ACHTUNG

Zur Verhütung von Unfällen beim Anbringen und Entfernen von Bohrern und anderen Teilen immer den Schalter ausschalten und den Stecker des Netzkabels aus der Steckdose ziehen. Der Schalter sollte auch während Arbeitsunterbrechungen und nach der Arbeit ausgeschaltet werden.

### 1. Betätigung des Schalters

Die Drehzahl des Bohrers kann durch Veränderung des Drucks auf den Drückerschalter gesteuert werden. Die Geschwindigkeit ist gering, wenn der Drückerschalter nur leicht gezogen ist und erhöht sich, wenn der Schalter weiter durchgezogen wird. Kontinuierlicher Betrieb läßt sich durch das Ziehen des Drückerschalters und Eindrücken des Arretierknopfes erreichen. Zum Ausschalten wird der Drückerschalter erneut gezogen und der Arretierknopf gelöst. Nach dem Loslassen kehrt der Drückerschalter in seine ursprüngliche Stellung zurück.

Beim Rückwärtslauf läßt sich der Drücker nur halb hineindrücken. Die Umdrehungsgeschwindigkeit entspricht etwa der halben Umdrehungsgeschwindigkeit des Vorwärtslaufes.

Bei Rückwärtslauf können Sie den Drücker auch nicht einrasten.

### 2. Drehen und Hämmern

Dieser Bohrhämmer kann durch Druck auf den Druckknopf und Drehen des Umschalthebels zur Markierung **T** auf Drehen und Hämmern eingestellt werden (**Abb. 6** oder **Abb. 7**).


- (1) Die Bohrspitze anbringen.
- (2) Den Triggerschalter nach Anbringen in Bohrlage der Bohrspitze ziehen (**Abb. 8**).

- (3) Es ist nicht nötig den Bohrhämmer stark anzudrücken. Leichtes Andrücken, so daß der Bohrstaub regelmäßig herausfällt, ist gerade genügend.

#### ACHTUNG

Wenn der Bohrer mit Baueisenstangen in Berührung kommt, stoppt sofort der Bohren, und nur der Bohrhämmer dreht sich. Deshalb den Handgriff gut fest halten wie in **Abb. 8** gezeigt.

#### 3. Nur Drehbohren

Dieser Bohrhämmer kann durch Druck auf den Druckknopf und Drehen des Umschalthebels zur Markierung  auf Betrieb nur für Bohren eingestellt werden (**Abb. 9** oder **Abb. 10**).

Zum Bohren von Holz und Metall einen Bohrfutteradapter und ein Bohrfutter (zubehör) verwenden.

Anbringung des Bohrfutters und Bohrfutteradapters (**Abb. 11**).

- (1) Das Bohrfutter am Adapter anbringen.
- (2) Das Teil des SDS-Plus Schaftes ist das gleiche wie der Bohrer. Zum Anbringen deshalb auf den Punkt „Anbringung des Bohrers“ beziehen.

#### ACHTUNG

- Übermäßiger Druck wird nicht die Arbeit beschleunigen und kann dazu die Bohrerleistung und auch die Lebensdauer des Bohrhammers vermindern.
- Der Bohr kann beim Herausziehen des Bohrhammers aus der Bohrung abbrechen. Beim Herausziehen ist es deshalb wichtig Druckbewegung anzuwenden.
- Nicht versuchen Ankerlöcher oder gewöhnliche Löcher in Beton zu bohren, wenn das Werkzeug nur auf Drehbohrfunktion eingestellt ist.
- Nicht versuchen den Bohrhämmer Schlag- und Drehbohren zu verwenden, wenn das Bohrfutter und der Bohrfutteradapter angebracht sind. Sonst wird die Lebensdauer des Werkzeuges verkürzt werden.

#### 4. Einschrauben von Maschinenschrauben (Abb. 12)

Zuerst die Drehspitze in den Sockel am Ende des Futteradapters (D) einsetzen.

Dann den Futteradapter (D) mit dem in 4 (1), (2), (3) beschriebenen Verfahren an die Haupteinheit anbringen, die Spitze des Drehstücks in die Schlitz auf dem Schraubenkopf setzen, die Haupteinheit fest greifen und die Schrauben festziehen.

#### ACHTUNG

- Nicht mehr als nötig die Schraubzeit verlängern, um Beschädigung der Schrauben zu vermeiden.
- Den Bohrhämmer senkrecht beim Einschrauben einer Schraube an den Schraubenkopf ansetzen; sonst könnte der Schraubenkopf oder die Bohrerspitze beschädigt werden, oder die Antriebskraft mag nicht vollkommen der Schraube übertragen werden.
- Nicht versuchen, den Schlagbohrer in Schlag-Bohr-Betriebsart zu verwenden, wenn Futteradapter und Bohrspitze aufgesetzt sind.

#### 5. Einschrauben von Holzschrauben (Abb. 12)

- (1) Wahl einer passenden Bohrerspitze  
So sehr wie möglich Kreuzkopfschrauben verwenden da die Bohrerspitze leicht von gewöhnlichen Schraubenköpfen abrutscht.
- (2) Einschrauben  
○ Vor dem Einschrauben von Holzschrauben, passende Löcher im Holz orbereiten. Die Bohrerspitze an die Schraubenkopfsalten ansetzen und die Schraube sanft ins Holz einschrauben.

- Nachdem sich der Bohrerhammer bei kleiner Geschwindigkeit für eine Weile gedreht hat bis die Schraube zum Teil eingeschraubt wurde, fester auf den Trigger drücken um optimale Antriebskraft zu erreichen.

#### ACHTUNG

Gut darauf achten, daß die Vorbereitung eines passenden Loches für die Schraube gemäß der Härte des Holzes durchgeführt wird. Falls das Loch zu klein oder nicht tief genug sein sollte, und dadurch große Kraftanwendung zum Einschrauben erforderlich wird, kann das Schraubengewinde manchmal beschädigt werden.

#### 6. Reiner Hammerbetrieb (Nur DH24PC3)

Der Bohrhämmer kann durch Drücken des Druckschalters und Drehen des Wahlhebels auf die **T**-Position auf reinen Hammerbetrieb eingestellt werden (**Abb. 13**).

- (1) Bringen Sie den Spitz- oder Kaltmeißel an.
- (2) Betätigen Sie den Druckschalter und stellen Sie den Wahlhebel auf die Mitte zwischen den Markierungen **T** und **T** ein (**Abb. 14**).

Die Drehfunktion wird freigegeben – drehen Sie die Spannbacke und bringen Sie den Kaltmeißel in die gewünschte Position. (**Abb. 15**)

- (3) Drehen Sie den Wahlhebel auf die **T**-Position (**Abb. 13**).

Der Spitz- oder Kaltmeißel wird daraufhin arretiert.

#### 7. Verwendung des Anschlags (Abb. 16)

- (1) Die Kopschraube am Seitenhandgriff lösen und das Anschlagstück in die U-förmige Kerbe am Seitenhandgriff einstecken.
- (2) Den Anschlag entsprechend der Tiefe des Lochs einstellen und die Kopschraube anziehen.

#### 8. Benutzung des Bohrers (Kegelschafts) und des Kegelschaftadapters

- (1) Den Kegelschaftadapter am Bohrhämmer anbringen (**Abb. 17**).
- (2) Den Bohrer (Kegelschaft) am Kegelschaftadapter anbringen (**Abb. 17**).
- (3) Den Schalter einschalten und ein Loch mit der vorgegebenen Tiefe bohren.
- (4) Zur Entfernung des Bohrers (Kegelschafts) einen Dorn in den Schlitz des Kegelschaftadapters einführen und mit einem Hammer gestützt durch eine Auflage auf den Kopf des Dorns schlagen (**Abb. 18**).

#### BENUTZUNG DER BOHRKRONE (FÜR GERINGE BELASTUNG)

Zur Bohrung großer Löcher eine Bohrkrone verwenden (geringe Belastung). Dafür muß der Zentriestift und Bohrkronenzapfen (beides Sonderzubehör) verwendet werden.

#### 1. Anbringen

##### ACHTUNG

Vor dem Anbringen das Gerät ausschalten und von der Steckdose trennen.

- (1) Die Bohrkrone am Bohrkronenzapfen anbringen (**Abb. 19**).  
Für die Entfernung des Gewinde des Bohrkronenzapfens schmieren.
- (2) Den Bohrkronenzapfen am Bohrhämmer anbringen (**Abb. 20**).
- (3) Den Zentriestift vollständig bis zum Anschlag in die Führungsplatte einführen.

- (4) Dann die Führungsplatte in die Bohrkronen einsetzen und nach links oder rechts drehen, sodaß sie nicht herausfällt, wenn sie nach unten zeigt (**Abb. 21**).

## 2. Bohrung (Abb. 22)

- (1) Den Stecker an die Steckdose anschließen.  
(2) Der Zentrierstift ist mit einer Feder versehen. Diese Feder geringfügig gerade ausgerichtet gegen die Wand oder den Boden drücken. Die Fläche mit der Bohrkronenspitze abtasten und das Gerät einschalten.  
(3) Wenn eine Bohrtiefe von 5 mm erreicht worden ist, ist die Position des Bohrlochs fixiert. Dann nach Entfernung des Zentrierstifts und der Führungsplatte von der Bohrkronenmitte mit der Bohrung beginnen.  
(4) Wenn beim Bohren übermäßige Gewalt angewandt wird, wird der Bohrzapfenrand der Bohrkronen beschädigt, wodurch die Lebensdauer des Bohrhammers verkürzt wird.

## ACHTUNG

Vor Entfernung des Zentrierstifts und der Führungsplatte das Gerät ausschalten und von der Steckdose trennen.

## 3. Entfernung (Abb. 23)

Für die Entfernung kann ebenfalls ein anderes Verfahren angewandt werden. Den Bohrzapfen vom Bohrer entfernen und mit einem Hammer mehrmals kräftig auf den Kopf des Bohrzapfens schlagen. Dabei sollte allerdings die Bohrkronen festgehalten werden. Dann löst sich das Gewinde und die Bohrkronen kann abgenommen werden.

---

## SCHMIERUNG

Für diesen Bohrer sollte ein Schmiermittel mit niedriger Viskosität verwendet werden, damit er über einen längeren Zeitraum ohne Schmierfettwechsel verwendet werden kann. Sollte Schmierfett aufgrund gelöster Schrauben austreten, bitte für die Auswechslung des Schmierfetts die nächstgelegene Kundendienststelle aufsuchen.

Wird der Bohrer in solch einem Fall weiterverwendet, könnte sich das Gerät festfressen, wodurch die Lebensdauer verkürzt wird.

## ACHTUNG

Es sollten nur die vorgeschriebenen Schmiermittel verwendet werden. Wenn andere Schmiermittel verwendet werden, könnte die Leistung des Gerätes beeinträchtigt werden. Wenden Sie sich bitte für die Auswechslung des Schmiermittels an unsere Kundendienststelle.

---

## WARTUNG UND INSPEKTION

### 1. Inspektion des Bohrers

Fortgesetzte Verwendung eines stumpfen oder beschädigten Bohrers führt zu verminderter Bohrleistung und kann den Motor der Bohrmaschine erheblich überbelasten. Den Bohrer regelmäßig prüfen und erforderlichenfalls durch einen neuen Bohrer ersetzen.

### 2. Inspektion der Befestigungsschrauben

Alle Befestigungsschrauben werden regelmäßig inspiziert und geprüft, ob sie gut angezogen sind. Wenn sich eine der Schrauben lockert, muß sie sofort wieder angezogen werden. Geschieht das nicht, kann das zu erheblichen Gefahren führen.

### 3. Wartung des Motors

Die Motorwicklung ist das „HERZ“ des Elektrowerkzeugs. Daher ist besonders sorgfältig darauf zu achten, daß die Wicklung nicht beschädigt wird und/oder mit Öl oder Wasser in Berührung kommt.

### 4. Inspektion der Kohlebürsten

Zur Erhaltung Ihrer Sicherheit und des Schutzes gegen elektrischen Schlag sollten Inspektion und Auswechslung der Kohlebürsten NUR DURCH EIN AUTORISIERTES HITACHI-WARTUNGSZENTRUM durchgeführt werden.

### 5. Auswechslung des Netzkabels

Wenn das Netzkabel des Werkzeugs beschädigt wird, muss das Werkzeug zum Auswechslung des Netzkabels an ein von Hitachi autorisiertes Wartungszentrum zurückgegeben werden.

### 6. Liste der Wartungsteile

- A: Punkt Nr.  
B: Code Nr.  
C: Verwendete Anzahl  
D: Bemerkungen

## ACHTUNG

Reparatur, Modifikation und Inspektion von Hitachi-Elektrowerkzeugen müssen durch ein autorisiertes Hitachi-Kundendienstzentrum durchgeführt werden. Diese Teilleiste ist hilfreich, wenn sie dem autorisierten Hitachi-Kundendienstzentrum zusammen mit dem Werkzeug für Reparatur oder Wartung ausgehändigt wird.

Bei Betrieb und Wartung von Elektrowerkzeugen müssen die Sicherheitsvorschriften und Normen beachtet werden.

## MODIFIKATIONEN

Hitachi-Elektrowerkzeuge werden fortwährend verbessert und modifiziert, um die neuesten technischen Fortschritte einzubauen. Dementsprechend ist es möglich, daß einige Teile (z.B. Codenummern bzw. Entwurf) ohne vorherige Benachrichtigung geändert werden.

---

## HINWEIS

Aufgrund des ständigen Forschungs- und Entwicklungsprogramms von HITACHI sind Änderungen der hierin gemachten technischen Angaben nicht ausgeschlossen.

---

## Information über Betriebslärm und Vibration

Die gemessenen Werte wurden entsprechend EN60745 bestimmt und in Übereinstimmung mit ISO 4871 ausgewiesen.

### DH24PB3/DH24PC3

Gemessener A-gewichteter Schallpegel: 106 dB (A)  
Gemessener A-gewichteter Schalldruck: 93 dB (A)  
Messunsicherheit KpA: 3 dB (A)

Bei der Arbeit immer einen Ohrschutz tragen.

Der typische gewogene quadratische Mittelwert für die Beschleunigung ist: 8,6 m/s<sup>2</sup> (**DH24PB3**),  
8,5 m/s<sup>2</sup> (**DH24PC3**).

---

## AVERTISSEMENTS DE SÉCURITÉ GÉNÉRAUX CONCERNANT LES OUTILS ÉLECTRIQUES

### ⚠ AVERTISSEMENT

Lire tous les avertissements de sécurité et toutes les instructions.

Tout manquement à observer ces avertissements et instructions peut engendrer des chocs électriques, des incendies et/ou des blessures graves.

Conservez tous les avertissements et toutes les instructions pour vous y référer ultérieurement.

*Leterme "outil électrique", utilisé dans les avertissements, se réfère aux outils électriques (câblé) ou aux outils à piles (sans fil).*

#### 1) Sécurité sur l'aire de travail

##### a) Maintenir l'aire de travail propre et bien éclairée.

*Les endroits encombrés ou sombres sont propices aux accidents.*

##### b) Ne pas utiliser d'outils électriques en présence de liquides, gaz ou poussière inflammables, au risque de provoquer une explosion.

*Les outils électriques créent des étincelles susceptibles d'enflammer la poussière ou les vapeurs.*

##### c) Ne pas laisser les enfants et les visiteurs s'approcher de vous lorsque vous utilisez un outil électrique.

*Les distractions peuvent faire perdre le contrôle.*

#### 2) Sécurité électrique

##### a) Les prises de l'outil électrique doivent correspondre à la prise secteur.

*Ne jamais modifier la prise.*

*Ne pas utiliser d'adaptateurs avec les outils électriques mis à la masse.*

*Les prises non modifiées et les prises secteurs correspondantes réduisent les risques de choc électrique.*

##### b) Éviter tout contact avec les surfaces mises à la masse telles que les tuyaux, radiateurs, bandes et réfrigérateurs.

*Le risque de choc électrique est accru en cas de mise à la masse du corps.*

##### c) Ne pas exposer les outils électriques à la pluie ou à des conditions humides.

*Si l'eau pénètre dans l'outil, cela augmente les risques de choc électrique.*

##### d) Ne pas utiliser le cordon à tort. Ne jamais utiliser le cordon pour transporter ou débrancher l'outil électrique.

*Maintenir le cordon loin de la chaleur, de l'huile, des bords pointus ou des pièces mobiles.*

*Les cordons endommagés ou usés augmentent les risques de choc électrique.*

##### e) En cas d'utilisation d'un outil électrique à l'extérieur, utiliser un cordon de rallonge adapté à un usage extérieur.

*L'utilisation d'un cordon adapté à l'usage extérieur réduit les risques de choc électrique.*

##### f) Si vous devez utiliser un outil électrique dans un endroit humide, utilisez une alimentation protégée contre les courants résiduels.

*L'utilisation d'un dispositif de protection contre les courants résiduels réduit le risque de choc électrique.*

#### 3) Sécurité personnelle

##### a) Restez alerte, regarder ce que vous faites et usez de votre bon sens en utilisant un outil électrique.

*Ne pas utiliser d'outil électrique si vous êtes sous l'influence de drogues, d'alcool ou de médicaments.*

*Pendant l'utilisation d'outils électrique, un instant d'inattention peut entraîner des blessures graves.*

##### b) Utiliser un équipement de protection individuelle.

*Toujours porter des verres de protection.*

*L'utilisation d'équipements de protection tels que les masques anti-poussière, les chaussures de sécurité anti-dérapantes, les casques ou les protections auditives dans des conditions appropriées réduisent les risques de blessures.*

##### c) Empêcher les démarrages intempestifs. Veiller à ce que l'interrupteur soit en position d'arrêt avant de brancher à une source d'alimentation et/ou une batterie, de ramasser l'outil au sol ou de le transporter.

*Transporter les outils électriques avec le doigt sur l'interrupteur ou brancher les outils électriques avec l'interrupteur en position de marche peut entraîner des accidents.*

##### d) Retirer toute clé de sécurité ou clé avant de mettre l'outil électrique en marche.

*Laisser une clé ou une clé de sécurité sur une partie mobile de l'outil électrique peut engendrer des blessures.*

##### e) Ne pas trop se pencher. Toujours garder une bonne assise et un bon équilibre pendant le travail.

*Cela permet un meilleur contrôle de l'outil électrique dans des situations imprévisibles.*

##### f) Porter des vêtements adéquats. Ne pas porter de vêtements amples ni de bijoux. Maintenir les cheveux, les vêtements et les gants loin des pièces mobiles.

*Les vêtements amples ou les cheveux longs peuvent se prendre dans les pièces mobiles.*

##### g) En cas de dispositifs destinés au raccordement d'installations d'extraction et de recueil de la poussière, veiller à ce qu'ils soient correctement raccordés et utilisés.

*L'utilisation d'un dispositif de collecte de la poussière peut réduire les dangers associés à la poussière.*

#### 4) Utilisation et entretien d'un outil électrique

##### a) Ne pas forcer sur l'outil électrique. Utiliser l'outil électrique adapté à vos travaux.

*Le bon outil électrique fera le travail mieux et en toute sécurité au régime pour lequel il a été conçu.*

##### b) Ne pas utiliser l'outil électrique si l'interrupteur ne le met pas en position de marche et d'arrêt.

*Tout outil ne pouvant être contrôlé par l'interrupteur est dangereux et doit être réparé.*

##### c) Débrancher la prise et/ou la batterie avant de procéder à des réglages, au remplacement des accessoires ou au stockage des outils électriques.

*Ces mesures préventives de sécurité réduisent les risques de démarrage accidentel de l'outil électrique.*

##### d) Stockez les outils électriques inutilisés hors de la portée des enfants et ne pas laisser des personnes non familiarisées avec l'outil ou ces instructions utiliser l'outil électrique.

*Les outils électriques sont dangereux entre les mains d'utilisateurs non habilités.*

##### e) Entretien des outils électriques. Vérifier l'absence de mauvais alignement ou d'arrêt, d'endommagement de pièces ou toute autre condition susceptible d'affecter l'opération de l'outil.

*Si l'outil est endommagé, le faire réparer avant utilisation. De nombreux accidents sont dus à des outils mal entretenus.*

- f) **Maintenir les outils coupants aiguisés et propres.**  
*Des outils coupants bien entretenus avec des bords aiguisés sont moins susceptibles de se coincer et plus simples à contrôler.*
- g) **Utiliser l'outil électrique, les accessoires et les mèches de l'outil, etc. conformément à ces instructions en tenant compte des conditions d'utilisation et du travail à réaliser.**  
*L'utilisation de l'outil électrique pour des opérations différentes de celles pour lesquelles il a été conçu est dangereuse.*
- 5) **Service**
- a) **Faire entretenir l'outil électrique par un technicien habilité à l'aide de pièces de rechange identiques exclusivement.**  
*Cela garantira le maintien de la sécurité de l'outil électrique.*

## PRECAUTIONS

**Maintenir les enfants et les personnes infirmes éloignés.**  
**Lorsque les outils ne sont pas utilisés, ils doivent être rangés hors de portée des enfants et des personnes infirmes.**

## MESURES DE SÉCURITÉ DU MARTEAU PERFORATEUR

- Portez des protecteurs**  
 L'exposition au bruit peut engendrer une perte de l'audition.
- Utilisez les poignées auxiliaires fournies avec l'outil.**  
 Toute perte de contrôle peut entraîner des blessures.
- Ne pas toucher le foret pendant ou immédiatement après le fonctionnement.** Il devient très chaud et peut causer des brûlures.
- Avant de briser, découper ou percer un mur, le plancher ou le plafond, s'assurer qu'aucun câble électrique ou conduit n'y soit noyé.**
- Maintenir toujours fermement la poignée principale et la poignée latérale de la machine.** Dans le cas contraire, la force de recul peut amoindrir la précision de travail et présenter aussi quelque danger.
- Portez un masque anti-poussière**  
 N'inhaliez pas les poussières nocives générées par le perçage ou le sous-solage. La poussière peut nuire à votre santé ou à celle de votre entourage.

## SPECIFICACIONES

Modèle	DH24PB3	DH24PC3
Tension (par zone)*	(110V, 115V, 120V, 127V, 220V, 230V, 240V) √	
Puissance	800W*	
Vitesse sans charge	0 – 1050 min <sup>-1</sup>	0 – 1150 min <sup>-1</sup>
Vitesse de percussion à pleine charge	0 – 4600 min <sup>-1</sup>	
Capacité: béton	3,4 – 24 mm	
acier	13 mm	
bois	32 mm	
Poids (sans fil et poignée latérale)	2,3 kg	2,4 kg

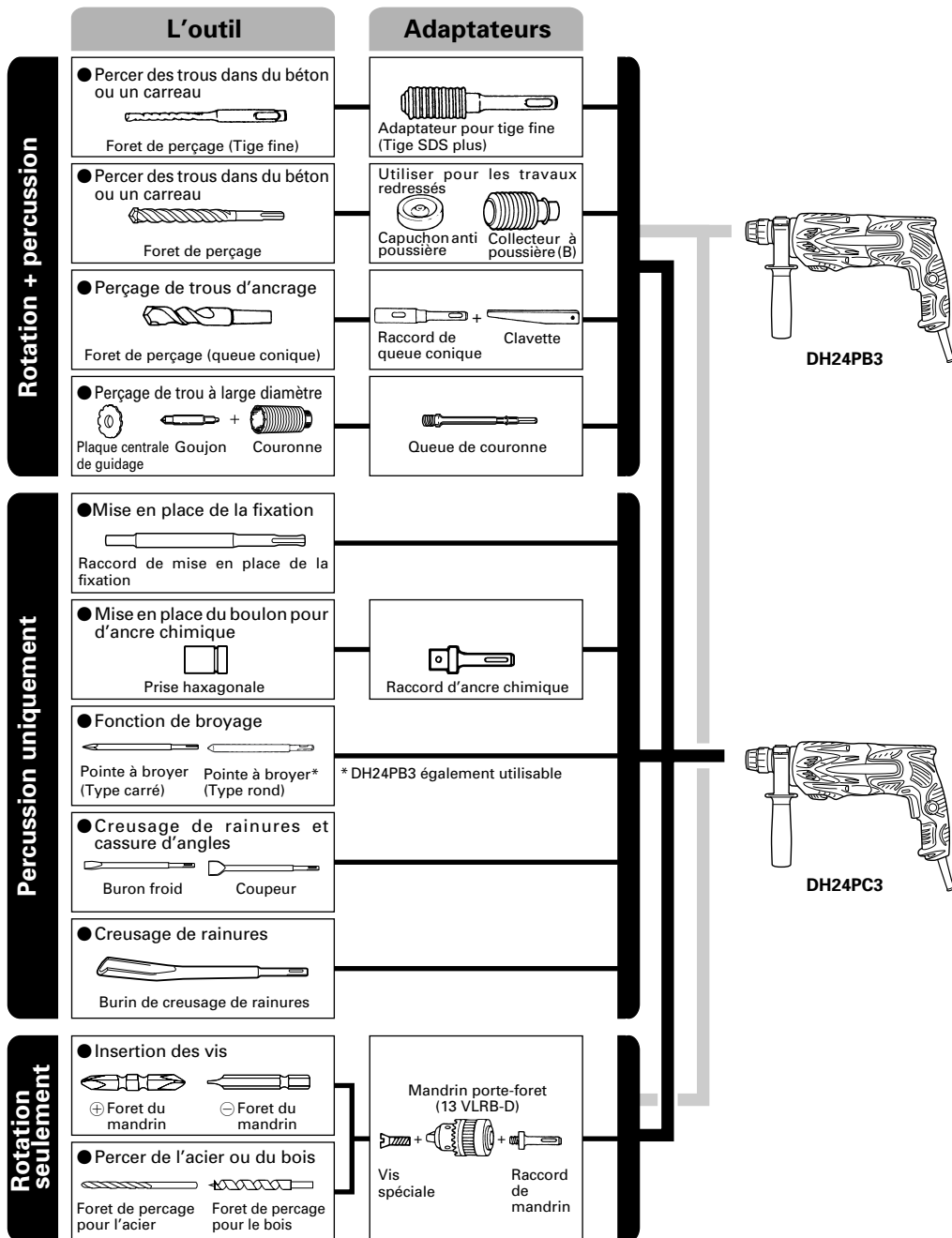
\* Assurez-vous de vérifier la plaque signalétique se trouvant sur le produit, car elle peut changer suivant les régions.

## ACCESSOIRES STANDARD

- (1) Boîtier en plastique ..... 1  
 (2) Poignée latérale ..... 1  
 (3) Jauge de profondeur ..... 1

Les accessoires standards sont sujets à changement sans préavis.

ACCESSOIRES EN OPTION (vendus séparément)



● Perçer des trous dans du béton ou un carreau

Foret de perçage (Tige fine)		
Dia. extérieur	Longueur totale	Longueur effective
3,4 mm	90 mm	45 mm
3,5 mm		

Foret de perçage SDS-plus		
Dia. extérieur	Longueur totale	Longueur effective
4,0 mm	110 mm	50 mm
5,0 mm	110 mm	50 mm
	160 mm	100 mm
5,5 mm	110 mm	50 mm
6,5 mm	160 mm	100 mm
7,0 mm	160 mm	100 mm
8,0 mm	160 mm	100 mm
8,5 mm	160 mm	100 mm
9,0 mm	160 mm	100 mm
	166 mm	100 mm
12,0 mm	260 mm	200 mm
	166 mm	100 mm
12,7 mm	166 mm	100 mm
14,0 mm	166 mm	100 mm
15,0 mm	166 mm	100 mm
16,0 mm	166 mm	100 mm
	260 mm	200 mm
17,0 mm	166 mm	100 mm
19,0 mm	260 mm	200 mm
20,0 mm	250 mm	200 mm
22,0 mm	250 mm	200 mm
25,0 mm	450 mm	400 mm
30,0 mm	450 mm	400 mm

● Perçage de trous d'ancrage

Raccord de queue conique
Type de cône
Cône Morse (No.1)
Cône Morse (No.2)
Cône en A
Cône en B

Les accessoires standards sont sujets à changement sans préavis.

● Perçage de trou à large diamètre

Couronne Dia. extérieur	Goujon	Queue de couronne Longueur totale
25 mm*	Non applicable	105 mm 300 mm
29 mm*		
32 mm	(A)	
35 mm		
38 mm	(B)	300 mm
45 mm		
50 mm		

\* Sans plaque de guidage

● Mise en place de la fixation

Raccord de mise en place de la fixation
Dimension de l'ancrage
W 1/4"
W 5/16"
W 3/8"
W 1/2"
W 5/8"



## APPLICATIONS

(DH24PB3 • DH24PC3)

Fonction de rotation et percussion

- Perçage de trous d'ancrage
- Perçage de trous dans béton
- Perçage de trous dans une tuile

Par action de rotation uniquement

- Perçage de l'acier ou du bois (avec accessoires en option)
- Serreage de vis mécaniques et de vis à bois (avec accessoires en option)

(DH24PC3 seulement)

Fonction percussion uniquement

- Burinage léger du béton, creusage de rainures et cassure d'angles.

## AVANT LA MISE EN MARCHÉ

### 1. Source de puissance

S'assurer que la source de puissance à utiliser correspond à la puissance indiquée sur la plaque signalétique du produit.

### 2. Interrupteur de puissance

S'assurer que l'interrupteur de puissance est en position **ARRÊT**. Si la fiche est branchée alors que l'interrupteur est sur **MARCHE**, l'outil démarre immédiatement et peut provoquer un grave accident.

### 3. Fil de rallonge

Lorsque la zone de travail est éloignée de la source de puissance, utiliser un fil de rallonge d'une épaisseur suffisante et d'une capacité nominale suffisante. Le fil de rallonge doit être aussi court que possible.

### 4. Fixation du foret de perçage (Fig. 1)

#### ATTENTION

Pour éviter tout accident, bien couper l'interrupteur et débrancher la fiche de la prise.

#### REMARQUE

Lorsqu'on utilise des outils comme des pointes à broyer, des forets, etc., bien utiliser des pièces d'origine conçues par notre société.

- (1) Nettoyer la section de la queue du foret.
- (2) Insérer le foret en le tournant dans le porte-outil jusqu'à ce qu'il se verrouille (Fig. 1).
- (3) Vérifier que le foret est bien verrouillé en tirant dessus.
- (4) Pour retirer le foret de perçage, tirer complètement l'attache coulissante dans le sens de la flèche et sortir le foret (Fig. 2).

### 5. Lors de l'installation de la capuchon à poussière ou du collecteur à poussière (B) (accessoires en option) (Fig. 3, Fig. 4)

Lors de l'utilisation du marteau perforateur en position verticale alors que l'adaptateur de récupération de poussière est enlevé, fixer la capuchon à poussière ou le collecteur à poussière (B) pour récupérer la poussière et autres particules pour une utilisation plus facile.

- Pose de la capuchon à poussière  
Utiliser la capuchon à poussière en la fixant au foret comme montré dans la Fig. 3.  
Lors de l'utilisation d'un foret avec un diamètre plus grand, agrandir le trou central de la capuchon à poussière avec ce marteau perforateur.
- Pose du collecteur à poussière (B)  
Lors de l'utilisation du collecteur à poussière (B), l'insérer par le bout du foret en l'alignant avec la rainure sur la poignée (Fig. 4).

## ATTENTION

- La capuchon à poussière et le collecteur à poussière (B) ne sont destinés à être utilisés que lors du perçage de béton. Ne pas les utiliser lors du perçage de pièces en bois ou métalliques.
  - Insérer le collecteur à poussière (B) à fond dans le mandrin de l'appareil principal particules pour ne utilisation plus facile.
  - Lors de la mise sous tension du marteau perforateur alors le collecteur à poussière (B) est détaché de la surface en béton, le collecteur à poussière (B) va tourner en même temps que le foret. Ne bien activer l'interrupteur de mise sous tension qu'après avoir appuyé le collecteur à poussière (B) sur la surface en béton. (Si le collecteur à poussière (B) est utilisé avec un foret de plus de 190 mm de longueur totale, il ne peut pas toucher la surface en béton et tournera. De ce fait, utiliser un foret de 166, 160 ou 110 mm de longueur totale.)
  - Vider les particules dans le collecteur à poussière (B) chaque deux ou trois trous percés.
  - Remettre en place le foret après avoir enlevé le collecteur à poussière (B).
- ### 6. Sélection de la mèche pour viseuse
- Les têtes de vis ou les mèches seront endommagées si une mèche appropriée au diamètre de la vis n'est pas employée pour enfoncer la vis.
- ### 7. Vérifiez la direction de rotation de la mèche (Fig. 5)
- La mèche tourne dans le sens des aiguilles d'une montre (vue de l'arrière) quand on appuie sur le côté R du bouton-poussoir.  
Appuyer sur le côté L du bouton-poussoir pour la faire tourner dans le sens inverse des aiguilles d'une montre.

## UTILISATION

### ATTENTION

Pour éviter tout accident, s'assurer que l'interrupteur est sur la position d'arrêt et que la fiche du cordon d'alimentation est débranchée avant de poser ou de déposer un forêt ou un accessoire similaire. L'interrupteur d'alimentation doit toujours se trouver sur la position d'arrêt pendant une pause et après un travail.

### 1. Fonctionnement de l'interrupteur

La vitesse de rotation du foret de perçage peut être réglée suivant la force avec laquelle on appuie sur l'interrupteur à détente. La vitesse est faible si on exerce une légère pression et augmente si la pression est plus forte. On peut obtenir un fonctionnement continu en pressant la détente et en relâchant le cliquet d'arrêt. Pour mettre l'interrupteur sur **ARRÊT**, presser de nouveau la détente et la ramener à sa position d'origine.

Toutefois, l'interrupteur à détente ne peut être tiré qu'à moitié pendant la marche inversée et tourne à la moitié de la vitesse qu'en marche avant.

Le cliquet d'arrêt est inutilisable pendant la marche inversée.

### 2. Rotation + percussion


Ce marteau perforateur peut être mis sur le mode de rotation et percussion en appuyant sur le bouton presseur et en tournant le sélecteur vers le repère **T** (Fig. 6 ou Fig. 7).

- (1) Monter le foret de perçage.
- (2) Tirer l'interrupteur de déclenchement après avoir appliqué la pointe du foret sur la position de perçage désirée (Fig. 8).
- (3) Il n'est pas du tout nécessaire d'appliquer une forte pression sur la perceuse. Il suffit d'appliquer une légère pression de manière à ce que la poussière et les éclats soient déchargés progressivement.

## ATTENTION

Quand le foret de perçage touche une poutre en fer, la mèche s'arrête immédiatement et la perceuse réagit en tournant. Par conséquent, tenir fermement la poignée principale et la poignée latérale, comme indiqué à la Fig. 8.

## 3. Rotation seulement

Ce perforateur percussion peut être mis sur le mode de rotation uniquement en appuyant sur le bouton-poussoir et en tournant le sélecteur vers le repère  (Fig. 9 ou Fig. 10).

Pour percer du bois ou du métal en utilisant le mandrin porte-foret et le raccord de mandrin (accessoire en option), procéder de la manière suivante.

Mise en place de mandrin porte-foret et du raccord de mandrin (Fig. 11).

- (1) Fixer le mandrin porte-foret sur le raccord.
- (2) L'élément de la tige SDS est identique au foret de perçage. Se reporter à "Montage du foret de perçage" pour le fixer.

## ATTENTION

- Si l'on applique une force excessive, cela donnera un travail bâclé et abîmera la pointe du foret de perçage, réduisant ainsi la durée de service de la perceuse.
- La pointe du foret de perçage risque de se casser quand on retire la perceuse du trou qui vient d'être percé. Par conséquent, pour retirer la perceuse il est important de faire très attention et de relâcher la pression.
- Ne pas essayer de percer des trous d'ancrage ou des trous dans le béton quand la machine est réglée sur rotation seulement.
- Ne pas essayer d'utiliser la perceuse pour les fonctions de rotation et de frappe quand le mandrin porte-foret et le raccord de mandrin sont montés sur la machine. Cela risquerait d'abréger considérablement la durée de service de chaque élément de la perceuse.

## 4. Lors du vissage des vis machine (Fig. 12)

Tout d'abord, insérer la pièce dans la prise à l'extrémité de l'adaptateur (D) de mandrin.

Ensuite, monter l'adaptateur (D) de mandrin sur l'appareil principal en utilisant les procédures décrites en 4 (1), (2), (3). Mettre la pointe de la pièce dans les fentes de la tête de vis, maintenir l'appareil principal et visser.

## ATTENTION

- Faites attention de ne pas prolonger la durée d'enfoncement plus qu'il n'est nécessaire, sinon les vis pourraient être endommagées suite à la force excessive utilisée.
- Appliquez le perforateur perpendiculairement par rapport à la tête de la vis lors de l'enfoncement de la vis; sinon la tête de la vis ou la mèche seront endommagées, ou la force d'entraînement ne sera pas entièrement transférée à la vis.
- Ne pas essayer d'utiliser le marteau foreur en fonction de rotation et percussion lorsque l'adaptateur de mandrin et la pièce sont attachés.


## 5. Enfoncement de vis à bois (Fig. 12)



- (1) Sélection d'une mèche appropriée  
Utilisez des vis à tête cruciforme, autant que possible étant donné que la mèche glisse souvent de la tête des vis ordinaires.
- (2) Enfoncement de vis à bois
  - Avant d'enfoncer des vis à bois, préparez d'abord des trous appropriés aux vis utilisées dans le bois. Appliquez la mèche aux fentes de la tête de la vis et enfoncez la vis dans le bois en douceur.
  - Après avoir fait tourner le perforateur à petite vitesse pendant un moment jusqu'à ce que la vis à bois soit partiellement enfoncée, pressez le trigger plus fortement afin d'obtenir la force d'entraînement maximale.

## ATTENTION


Ne manquez pas de prendre en considération la dureté du bois quand vous préparez un trou approprié à recevoir la vis à bois. Si le trou est trop petit ou pas assez profond, ce qui demande beaucoup de force pour y enfoncer la vis, il se peut que le filet de la vis de bois en soit endommagé.

## 6. Percussion uniquement (DH24PC3 seulement)

Ce marteau perforateur peut être réglé en mode percussion uniquement mode en appuyant sur le bouton-poussoir et en tournant le sélecteur sur la marque  (Fig. 13).

- (1) Montez la pointe à broyer ou le burin froid.
- (2) Appuyez sur le bouton-poussoir et positionnez le sélecteur entre la marque  et la marque  (Fig. 14).

La perforation est activée, tournez l'attache coulissante et mettez le burin froid dans la position souhaitée (Fig. 15).

- (3) Tournez le sélecteur sur la marque  (Fig. 13). Ainsi, la pointe à broyer ou le burin froid est verrouillé.

## 7. Utilisation de la quenouille (Fig. 16)

- (1) Desserrer le boulon bouton sur la poignée latérale et insérer la butée dans la fente en U sur la poignée latérale.
- (2) Régler la position de l'arrêt en fonction de la profondeur du trou et bien serrer le boulon bouton.

## 8. Comment utiliser la mèche (queue conique) et le raccord de queue conique

- (1) Monter le raccord de queue conique sur la perceuse à percussion (Fig. 17).
- (2) Fixer la mèche (queue conique) sur le raccord de queue conique (Fig. 17).
- (3) Mettre l'interrupteur sur la position de marche (ON) et percer un trou de la profondeur voulue.
- (4) Pour retirer la mèche (queue conique), introduire la clavette dans la fente du raccord de queue conique et frapper la tête de la clavette avec un marteau alors que la perceuse est placée sur le support (Fig. 18).

## COMMENT UTILISER LA COURONNE (POUR UNE CHARGE LEGERE)

Utiliser la couronne pour percer de grands trous. L'utiliser avec le goujon central et la queue de couronne fournis en tant qu'accessoires en option.

## 1. Montage

### ATTENTION

S'assurer que l'interrupteur est sur la position d'arrêt (OFF) et débrancher l'outil.

- (1) Monter la couronne sur la queue de couronne (Fig. 19). Graisser le filetage de la queue de couronne afin de faciliter le démontage.
- (2) Monter la queue de couronne sur la perceuse à percussion (Fig. 20).
- (3) Introduire la goujon central dans la plaque de guidage jusqu'à ce qu'il arrête.
- (4) Engager la plaque de guidage dans la couronne et tourner la plaque de guidage à gauche ou à droite de manière à ce qu'elle à ce qu'elle ne puisse pas tomber, même si elle orientée vers le bas (Fig. 21).

## 2. Perçage (Fig. 22)

- (1) Brancher la perceuse.
- (2) Un ressort est placé dans le goujon central. Appuyer légèrement l'outil contre le mur ou le plancher tout droit. Toute la surface de la couronne doit être en contact avec le mur ou le plancher. Mettre en marche.
- (3) Quand on a percé sur une profondeur d'environ 5 mm, la position du trou est déterminée. Continuer à percer après avoir retiré le goujon central et la plaque de guidage de la couronne.
- (4) Si l'on applique une force excessive, cela donnera un travail bâclé et abîmera la pointe du foret de perçage, réduisant ainsi la durée de service de la perceuse à percussion.

## ATTENTION

Quand on retire le goujon central et la plaque de guidage, mettre l'interrupteur sur la position d'arrêt (OFF) et débrancher la perceuse.

## 3. Démontage (Fig. 23)

Une autre méthode consiste à retirer la queue de la couronne de la perceuse à percussion et à frapper fortement la tête de la queue de la couronne deux ou trois fois avec un marteau, tout en maintenant la couronne. Cela aura pour effet de desserrer le filetage et on pourra retirer la couronne.

---

## GRAISSAGE

Utiliser une graisse à faible viscosité sur cette perceuse à percussion afin de pouvoir l'utiliser longtemps sans avoir à remplacer la graisse. Si la graisse fuit d'une vis desserrée, contacter l'agent chargé de l'entretien le plus proche afin qu'il change la graisse. Si l'on utilise la perceuse à percussion alors qu'elle n'est pas suffisamment graissée, cela risque de provoquer un grippage et de réduire sa durée de service.

## ATTENTION

Pour cette perceuse utiliser la graisse spécifiée; si l'on utilise une autre graisse, cela risque de provoquer un fonctionnement défectueux. Pour le remplacement de la graisse, toujours s'adresser aux agents d'entretien agréés.

---

## ENTRETIEN ET VERIFICATION

### 1. Contrôle du foret de perçage

Etant donné que l'utilisation d'une mèche usée entraînera un mauvais fonctionnement du moteur et une diminution de l'efficacité, remplacez la mèche usée par une neuve ou aiguissez-la immédiatement et dès que vous notez une certaine usure.

### 2. Contrôle des vis de montage

Vérifier régulièrement les vis de montage et s'assurer qu'elles sont correctement serrées. Resserrer immédiatement toute vis desserrée. Sinon, il y a danger sérieux.

### 3. Entretien du moteur

Le bobinage de l'ensemble moteur est le "cœur" même de l'outil électro-portatif. Veiller soigneusement à ce que ce bobinage ne soit pas endommagé et/ou mouillé par de l'huile ou de l'eau.

### 4. Inspection des balais en carbone

Pour assurer à tout moment la sécurité et la protection contre les chocs électrique, confier l'inspection et le remplacement des balais en carbone de l'outil EXCLUSIVEMENT à un centre de service après-vente agréé par HITACHI.

### 5. Remplacement du cordon d'alimentation

Si le cordon d'alimentation de l'outil est endommagé, rapporter l'outil à un service après-vente HITACHI agréé pour faire remplacer le cordon.

### 6. Liste des pièces de rechange

- A: No. élément
- B: No. code
- C: No. utilisé
- D: Remarques

## ATTENTION

Les réparations, modifications et inspections des outils électriques Hitachi doivent être confiées à un service après-vente Hitachi agréé.

Il sera utile de présenter cette liste de pièces au service après-vente Hitachi agréé lorsqu'on apporte un outil nécessitant des réparations ou tout autre entretien.

Lors de l'utilisation et de l'entretien d'un outil électrique, respecter les règlements et les normes de sécurité en vigueur dans le pays en question.

## MODIFICATIONS

Les outils électriques Hitachi sont constamment améliorés et modifiés afin d'incorporer les tous derniers progrès technologiques.

En conséquence, il est possible que certaines pièces (c.-à-d. no. de code et/ou dessin) soient modifiées sans avis préalable.

---

## REMARQUE

Par suite du programme permanent de recherche et de développement HITACHI, ces spécifications peuvent faire l'objet de modifications sans avis préalable.

---

## Au sujet du bruit et des vibrations

Les valeurs mesurées ont été déterminées en fonction de la norme EN60745 et déclarées conforme à ISO 4871.

### DH24PB3/DH24PC3

Niveau de puissance sonore pondérée A: 106 dB (A)  
 Niveau de pression acoustique pondérée A: 93 dB (A)  
 Incertitude KpA: 3 dB (A)

Porter un casque de protection.

Valeur d'accélération moyenne quadratique pondérée  
 type: 8,6 m/s<sup>2</sup> (DH24PB3).  
 8,5 m/s<sup>2</sup> (DH24PC3).

**AVVERTIMENTI GENERALI DI SICUREZZA SUGLI UTENSILI ELETTRICI**

**⚠ AVVERTENZA**

**Leggere tutti gli avvertimenti di sicurezza e tutte le istruzioni.**

*La mancata osservanza degli avvertimenti e delle istruzioni potrebbe essere causa di scosse elettriche, incendi e/o gravi lesioni.*

**Salvare tutti gli avvertimenti e le istruzioni per riferimenti futuri.**

*Il termine "elettroutensili" riportato nelle avvertenze si riferisce agli elettroutensili azionati con alimentazione di rete (via cavi) o a batterie (senza cavi).*

**1) Sicurezza dell'area operativa**

**a) Mantenere l'area operativa pulita e ordinata.**

*Aree operative sporche o disordinate possono favorire gli infortuni.*

**b) Non utilizzare gli elettroutensili in atmosfere esplosive, ad es. in presenza di liquidi, gas o polveri infiammabili. Gli elettroutensili generano delle scintille che potrebbero accendere la polvere o i fumi.**

**c) Tenere lontani bambini e astanti durante l'utilizzo degli elettroutensili.**

*Qualsiasi distrazione può essere causa di perdita di controllo.*

**2) Sicurezza elettrica**

**a) Le spine degli elettroutensili devono essere idonee alle prese disponibili.**

**Non modificare mai le prese.**

**Con gli elettroutensili a massa (messi a terra), non utilizzare alcun adattatore.**

*L'utilizzo di spine intatte e corrispondenti alle prese disponibili ridurrà il rischio di scosse elettriche.*

**b) Evitare qualsiasi contatto con le superfici a massa o a terra, quali tubi, radiatori, fornelli e frigoriferi.**

*In caso di messa a terra o massa del corpo, sussiste un maggior rischio di scosse elettriche.*

**c) Non esporre gli elettroutensili alla pioggia o all'umidità.**

*La penetrazione di acqua negli elettroutensili aumenterà il rischio di scosse elettriche.*

**d) Non tirare il cavo. Non utilizzarlo per il trasporto, o per tirare o scollegare l'elettroutensile.**

**Tenere il cavo lontano da fonti di calore, oli, bordi appuntiti o parti in movimento.**

*Cavi danneggiati o attorcigliati possono aumentare il rischio di scosse elettriche.*

**e) Durante l'uso degli elettroutensili all'esterno, utilizzare una prolunga idonea per usi esterni.**

*L'utilizzo di cavi per esterno riduce il rischio di scosse elettriche.*

**f) Se è impossibile evitare l'impiego di un utensile elettrico in un luogo umido, utilizzare l'alimentazione protetta da un dispositivo a corrente residua (RCD).**

*L'uso di un RCD riduce il rischio di scosse elettriche.*

**3) Sicurezza personale**

**a) Durante l'uso degli elettroutensili, state all'erta, verificate ciò che state eseguendo e adottate sempre il buon senso.**

**Non utilizzate gli elettroutensili qualora siate stanchi, sotto l'influenza di farmaci, alcol o cure mediche.**

*Anche un attimo di disattenzione durante l'uso degli elettroutensili potrebbe essere causa di gravi lesioni personali.*

**b) Indossate l'attrezzatura di protezione personale. Indossate sempre le protezioni oculari.**

*L'attrezzatura protettiva, quali maschera facciale, calzature antiscivolo, caschi o protezioni oculari ridurrà il rischio di lesioni personali.*

**c) Impedite le accensioni involontarie. Prima del collegamento a una sorgente di alimentazione e/o pacco batteria e prima di raccogliere o trasportare l'utensile, verificate che l'interruttore sia posizionato su OFF.**

*Il trasporto degli elettroutensili tenendo le dita sull'interruttore o l'attivazione elettrica degli utensile che hanno l'interruttore su ON, implica il rischio di incidenti.*

**d) Prima di attivare l'elettroutensile, rimuovete qualsiasi chiave di regolazione.**

*Lasciando la chiave in un componente in rotazione dell'elettroutensile, sussiste il rischio di lesioni personali.*

**e) Mantenersi in equilibrio. Mantenersi sempre su due piedi, in equilibrio stabile.**

*Ciò consente di controllare al meglio l'elettroutensile in caso di situazioni impreviste.*

**f) Vestirsi in modo adeguato. Non indossare abiti larghi o gioielli. Tenere i capelli, gli abiti e i guanti lontano dalle parti in movimento.**

*Abiti allentati, gioielli e capelli lunghi potrebbero impigliarsi nelle parti in movimento.*

**g) In caso di dispositivi provvisti di collegamento ad apparecchiature di rimozione e raccolta polveri, verificare che queste siano collegate e utilizzate in modo adeguato.**

*L'utilizzo della raccolta della polvere può ridurre i rischi connessi alle polveri.*

**4) Utilizzo e manutenzione degli elettroutensili**

**a) Non utilizzare elettroutensili non idonei. Utilizzare l'elettroutensile idoneo alla propria applicazione.**

*Utilizzando l'elettroutensile corretto, si garantirà un'esecuzione migliore e più sicura del lavoro, alla velocità di progetto.*

**b) Non utilizzare l'elettroutensile qualora non sia possibile accenderlo/spegnerlo tramite l'interruttore.**

*È pericoloso utilizzare elettroutensili che non possano essere azionati dall'interruttore. Provvedere alla relativa riparazione.*

**c) Prima di effettuare qualsiasi regolazione, sostituire gli accessori o depositare gli elettroutensili, scollegare la spina dalla presa elettrica e/o il pacco batteria dall'utensile elettrico.**

*Queste misure di sicurezza preventive riducono il rischio di avvio involontario dell'elettroutensile.*

**d) Depositare gli elettroutensili non utilizzati lontano dalla portata dei bambini ed evitare che persone non esperte di elettroutensili o non a conoscenza di quanto riportato sulle presenti istruzioni azionino l'elettroutensile.**

*È pericoloso consentire che utenti non esperti utilizzino gli elettroutensili.*

**e) Manutenzione degli elettroutensili. Verificare che non vi siano componenti in movimento disallineati o bloccati, componenti rotti o altre condizioni che potrebbero influenzare negativamente il funzionamento dell'elettroutensile.**

**In caso di guasti, provvedere alla riparazione dell'elettroutensile prima di riutilizzarlo.**

*Molti incidenti sono causati da una scarsa manutenzione.*

- f) **Mantenere gli strumenti di taglio affilati e puliti.**  
*Gli strumenti di taglio in condizioni di manutenzione adeguata, con bordi affilati, sono meno soggetti al bloccaggio e sono più facilmente controllabili.*
- g) **Utilizzare l'elettro utensile, gli accessori, le barrette, ecc. in conformità a quanto riportato nelle presenti istruzioni, tenendo in debita considerazione le condizioni operative e il tipo di lavoro da eseguire.**  
*L'uso dell'utensile elettrico per operazioni diverse da quelle previste potrebbe causare una situazione pericolosa.*

#### 5) Assistenza

- a) **Affidate le riparazioni dell'elettro utensile a persone qualificate che utilizzino solamente parti di ricambio identiche.**

*Ciò garantirà il mantenimento della sicurezza dell'elettro utensile.*

#### PRECAUZIONI

**Tenere lontano dalla portata di bambini e invalidi.**

**Quando non utilizzati, gli strumenti dovranno essere depositi lontano dalla portata di bambini e invalidi.**

### AVVERTIMENTI DI SICUREZZA DEL TRAPANO A PERCUSSIONE

- 1. Indossare protettori per le orecchie**  
L'esposizione al rumore può causare la perdita dell'udito.
- 2. Utilizzare le leve ausiliarie fornite con l'utensile.**  
La perdita di controllo può causare lesioni alla persona.
- 3. Subito dopo aver adoperato l'attrezzo o durante le operazioni non toccare mai la punta.** Questa diventa molto calda durante il funzionamento e potrebbe causare ustioni.
- 4. Prima di iniziare a penetrare, frantumare o perforare un muro, pavimento o soffitto, accertarsi con sicurezza che oggetti come cavi e condotte non siano murati in essi.**
- 5. Impugnare sempre saldamente il corpo e l'impugnatura dell'utensile, per evitare che la forza di controreazione produca un lavoro impreciso e persino pericoloso.**
- 6. Indossare una maschera di protezione per la polvere.** Non inalare le polveri dannose generate durante l'operazione di trapanatura o di cesellatura. La polvere può mettere a rischio la vostra salute e quella di coloro che vi stanno attorno.

### CARATTERISTICHE

Modello	DH24PB3	DH24PC3
Voltaggio (per zona)*	(110V, 115V, 120V, 127V, 220V, 230V, 240V) ~	
Potenza assorbita	800W*	
Velocità senza carico	0 – 1050 min <sup>-1</sup>	0 – 1150 min <sup>-1</sup>
Frequenza d'impatto a pieno carico	0 – 4600 min <sup>-1</sup>	
Capacità: cemento acciaio legno	3,4 – 24 mm 13 mm 32 mm	
Peso (escluso il cavo e l'impugnatura laterale)	2,3 kg	2,4 kg

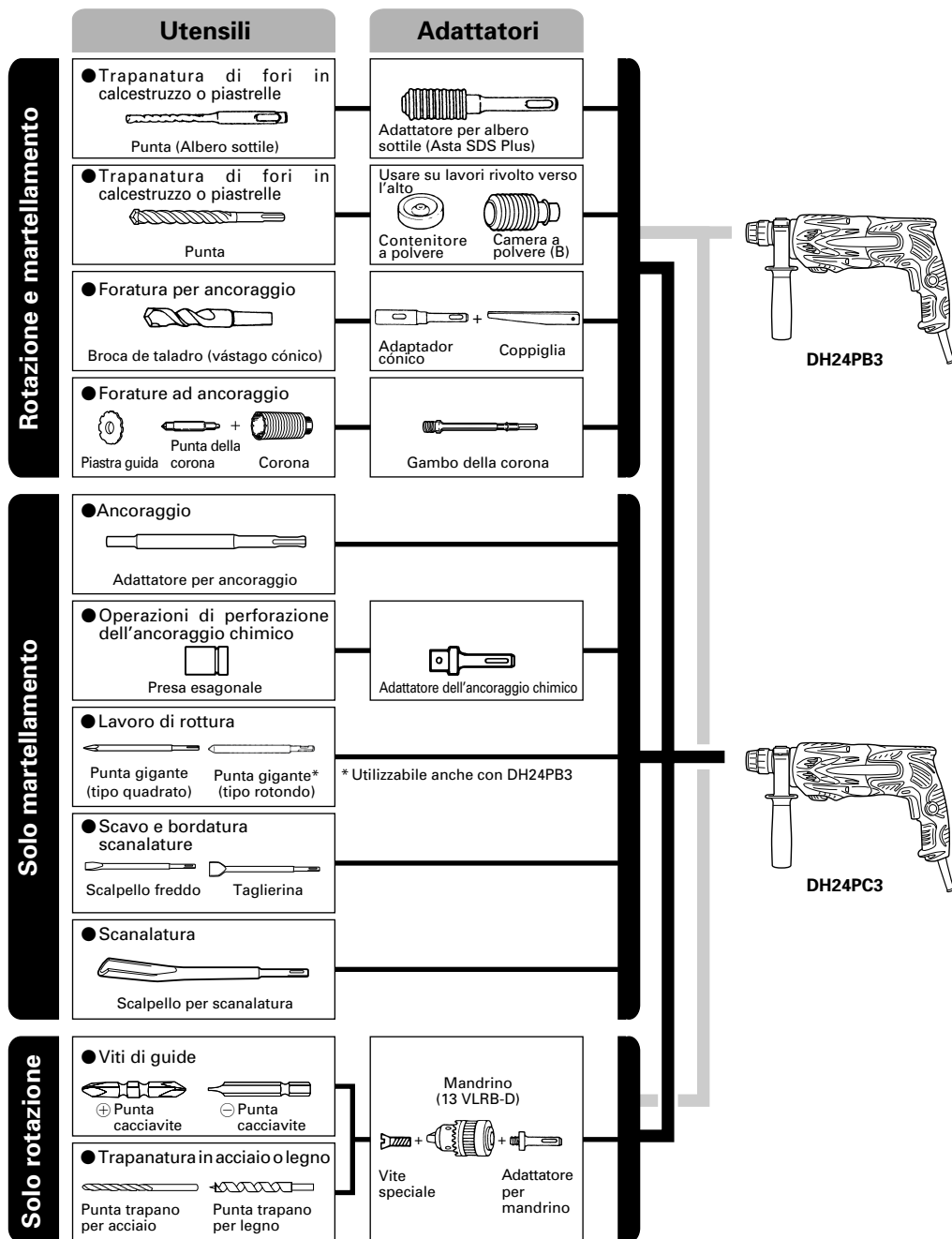
\* Accertatevi di aver controllato bene la piastrina perché essa varia da zona a zona.

### ACCESSORI STANDARD

- (1) Custodia di plastica ..... 1  
 (2) Impugnatura laterale ..... 1  
 (3) Calibro profondità ..... 1

Gli accessori standard possono essere modificati senza preavviso.

**ACCESSORI DISPONIBILI A RICHIESTA (venduti separatamente)**



● **Trapanatura di fori in calcestruzzo o piastrelle**

Punta (Albero sottile)		
Diametro esterno	Lunghezza totale	Lunghezza effettiva
3,4 mm	90 mm	45 mm
3,5 mm		

Punta trapano SDS-plus		
Diametro esterno	Lunghezza totale	Lunghezza effettiva
4,0 mm	100 mm	50 mm
5,0 mm	110 mm	50 mm
	160 mm	100 mm
5,5 mm	110 mm	50 mm
6,5 mm	160 mm	100 mm
7,0 mm	160 mm	100 mm
8,0 mm	160 mm	100 mm
8,5 mm	160 mm	100 mm
9,0 mm	160 mm	100 mm
	166 mm	100 mm
12,0 mm	260 mm	200 mm
	166 mm	100 mm
14,0 mm	166 mm	100 mm
15,0 mm	166 mm	100 mm
16,0 mm	166 mm	100 mm
	260 mm	200 mm
17,0 mm	166 mm	100 mm
19,0 mm	260 mm	200 mm
20,0 mm	250 mm	200 mm
22,0 mm	250 mm	200 mm
25,0 mm	450 mm	400 mm
30,0 mm	450 mm	400 mm

● **Foratura per ancoraggio**

Adaptador cónico
Tipo di conicità
Conicità Morse (n.1)
Conicità Morse (n.2)
Conicità A
Conicità B

● **Forature ad ancoraggio**

Corona Diametro esterno	Punta della corona	Gambo della corona Lunghezza totale
25 mm*	Non applicabile	105 mm 300 mm
29 mm*		
32 mm	(A)	
35 mm		
38 mm	(B)	300 mm
45 mm		
50 mm		

\* Senza piastra di guida

● **Ancoraggio**

Adattatore per ancoraggio Dimensioni dell'ancora
W 1/4"
W 5/16"
W 3/8"
W 1/2"
W 5/8"

Gli accessori disponibili a richiesta sono soggetti a modifiche senza preavviso.

## APPLICAZIONI

(DH24PB3 • DH24PC3)

Funzione di rotazione e martellamento

- Apertura di fori da ancoraggio
- Apertura di fori nel cemento armato
- Apertura di fori in tegole

Con sola rotazione

- Foratura di acciaio o legno (con accessori disponibili a richiesta)
- Viti di fissaggio per macchine, viti del legno (con accessori disponibili a richiesta)

(Solo DH24PC3)

Solo martellamento

- Scalpellatura leggera di calcestruzzo, scavo e bordatura scanalature.

## PRIMA DI INIZIARE LE OPERAZIONI

### 1. Alimentazione

Assicurarsi che la rete di alimentazione che si vuole usare sia compatibile con le caratteristiche relative all'alimentazione di corrente specificate nella piastrina dell'apparecchio.

### 2. Interruttore di corrente

Mettere l'interruttore in posizione SPENTO. Se la spina è infilata in una presa mentre l'interruttore è acceso, l'utensile elettrico si mette immediatamente in moto, facilitando il verificarsi di incidenti gravi.

### 3. Prolunga del cavo

Quando l'ambiente di lavoro è lontano da una presa di corrente, usare una prolunga del cavo di sufficiente spessore e di prestazione adeguata. La prolunga deve essere più corta possibile.

### 4. Montaggio della punta trapano (Fig. 1)

#### ATTENZIONE

Per evitare incidenti, assicurarsi di disattivare l'interruttore di scollegare la spina dalla presa di corrente.

#### NOTA

Quando si usano utensili come punte giganti, punte da trapano, ecc. assicurarsi di usare pezzi originali progettati dalla nostra azienda.

- (1) Pulire il gambo della punta trapano.
- (2) Inserire la punta trapano torcendola nel portautensili fino a che si aggancia (Fig. 1).
- (3) Controllare l'agganciamento tirando la punta trapano.
- (4) Per staccare la punta del trapano, tirare completamente il mandrino in direzione della freccia e tirare in fuori la punta del trapano (Fig. 2).
5. **Quando si installa un contenitore a polvere o una camera a polvere (B) (Accessori disponibili a richiesta) (Fig. 3, Fig. 4)**

Quando si usa un martello perforatore per lavori di perforazione verso l'alto mentre si rimuove l'adattatore per camera a polvere (B), attaccare un contenitore a polvere o una camera a polvere (B) per raccogliere la polvere o particelle per un facile funzionamento.

- Installazione del contenitore a polvere  
Usare il contenitore a polvere attaccandolo alla punta del martello perforatore come mostrato nella Fig. 3. Quando si usa una punta con ampio diametro, allagare il foro centrale del contenitore a polvere con questo martello perforatore.

- Installazione della camera a polvere (B)  
Quando si usa la camera a polvere (B), inserire la camera a polvere (B) dalla cima della punta allineandola alla scanalatura sull'impugnatura (Fig. 4).

#### ATTENZIONE

- Il contenitore a polvere e la camera a polvere (B) sono solo per l'uso in lavori di perforazione su calcestruzzo. Non usateli per perforazioni di legni o metalli.
- Inserire completamente la camera a polvere (B) alla parte della morsa dell'unità principale.
- Quando si accende il martello perforatore mentre il camera a polvere (B) è staccato dalla superficie in calcestruzzo, il camera a polvere (B) ruoterà insieme alla punta del martello. Assicurarsi di accendere l'interruttore dopo aver fatto aderire il contenitore a polvere alla superficie in calcestruzzo. (Quando si usa un camera a polvere (B) attaccando una punta la cui lunghezza totale è più di 190 mm, il camera a polvere (B) non può toccare la superficie in calcestruzzo e quindi ruoterà. Perciò usare punte la cui lunghezza totale sia di 166 mm, 160 mm e 110 mm.)
- Particelle di scarica nel camera a polvere (B) ogni due o tre perforazioni.
- Sostituire la punta dopo aver rimosso il camera a polvere (B).
- 6. **Scelta della punta**  
Se non si usa una punta appropriata per il diametro della vite, si rischia di danneggiare la testa della vite stessa o la punta.

### 7. Accertare la direzione della rotazione della punta (Fig. 5)

Il trapano ruota in senso orario (visto dal retro) quando si preme il lato R del pulsante. Premere il lato L del pulsante per far girare il trapano in senso antiorario.

## OPERAZIONE

#### ATTENZIONE


Per evitare incidenti, assicurarsi di spegnere l'interruttore e scollegare la spina dalla presa di corrente quando si installano o rimuovono le punte del trapano e vari accessori. L'interruttore di alimentazione deve essere spento anche quando si fa una pausa nel lavoro e quando si finisce di lavorare.

### 1. Funzionamento dell'interruttore

Si può regolare la velocità di rotazione del trapano variando la corsa del grilletto-interruttore. La velocità è bassa quando l'interruttore a grilletto è premuto leggermente e aumenta quando si preme di più sul (grilletto) grilletto. Il funzionamento continuo può essere ottenuto premendo il grilletto e abbassando il bottone d'arresto. Per spegnere l'interruttore, premere di nuovo il grilletto in modo da svincolare il bottone d'arresto e rilasciare il grilletto nella posizione iniziale. Tuttavia, il grilletto dell'interruttore può essere tirato solo a metà durante il funzionamento all'indietro e ruota a metà della velocità durante il funzionamento in avanti.

Il fermo dell'interruttore è inutilizzabile durante il funzionamento all'indietro.

### 2. Rotazione e martellamento

Questo martello perforatore può essere regolato nel modo di funzionamento a rotazione e martellamento premendo il pulsante e girando la leva del selettore sulla posizione  (Fig. 6 o Fig. 7).




- (1) Montare la punta.
- (2) Premere l'interruttore a grilletto dopo aver applicato la punta sul luogo da forare (Fig. 8).
- (3) Non è assolutamente necessario esercitare una grande forza sul trapano. Spingere invece il trapano solo leggermente, in modo che si veda la polvere uscire dal foro.

**ATTENZIONE**

Se la punta, durante la penetrazione nel materiale, dovesse incontrare del ferro, essa portrebbe avere la tendenza a fermarsi (non può girare), il che causerebbe a sua volta la tendenza del trapano a girare in senso opposto. Per tale ragione è consigliabile afferrare sempre saldamente sia l'impugnatura principale che laterale, come mostrato in Fig. 8.

**3. Sola rotazione**

Per inserire il modo di funzionamento a sola rotazione, far girare il selettore premere il tasto a pressione per portarlo in posizione  (Fig. 9 o Fig. 10.).

Per eseguire dei fori nel legno o nel metallo facendo uso del mandrino e dell'adattatore per mandrino (accessorio disponibile a richiesta), procedere nel modo seguente.

Montaggio del mandrino e dell'adattatore per mandrino (Fig. 11).

- (1) Applicazione del mandrino all'adattatore
- (2) La parte dell'asta SDS plus è uguale alla punta del trapano. Perciò per applicarla fare riferimento alla sezione "Montaggio della punta".

**ATTENZIONE**

- Applicando una forza più elevata di quanto non sia necessario non si accelera per niente l'esecuzione del lavoro. Si rischia invece di deteriorare la punta e di ridurre la durabilità del trapano.
- Estraendo la punta dal foro è possibile che si producano degli strappi. Togliera quindi lentamente, con un movimento di andirivie-ni.
- Non tentare di eseguire dei fori di ancoraggio o dei fori nel cemento usando la sola funzione di rotazione!
- Non usare il trapano nella funzione di rotazione + percussione quando è montato il mandrino e l'adattatore per mandrino. Così facendo si ridurrebbe sicuramente la durabilità delle diverse parti dell'attrezzo.

**4. Quando si infilano le viti di macchina (Fig. 12)**

Innanzitutto inserire la punta del trapano nella fessura in fondo all'adattatore (D) del mandrino.

Poi montare l'adattatore (D) del mandrino sull'unità principale usando il procedimento descritto in 4 (1), (2), (3), inserire la punta del trapano nelle fessure sulla testa della vite, afferrare l'unità principale e stringere la vite.

**ATTENZIONE**

- Attenzione a non prolungare eccessivamente la durata dell'avvitamento, altrimenti la vite può venire danneggiata a causa della forza eccessiva.
- Per avvitare un perforatore, disporre l'utensile perpendicolare alla testa della vite, altrimenti è possibile che la testa della vite o la punta del giravite si rovinino, oppure che la forza di avvitamento non venga trasferita completamente alla vite.
- Non tentare di usare il martello perforatore nella funzione di rotazione e battitura con l'adattatore del mandrino e la punta del trapano attaccati.


**5. Avvitamento di viti del legno (Fig. 12)**




- (1) Scelta della punta  
Se possibile, usare una vite con testa a croce. Usando una vite con testa a meno, la punta potrebbe scivolare fuori facilmente.
- (2) Avvitamento di viti del legno
  - Prima di avvitare viti del legno, eseguire un foro guida nel materiale da avvitare. Disporre la punta sulla acanalatura della testa della vite e avvitare con cura.
  - Far girare prima il giravite a bassa velocità per un momento, fino a quando la perforatrice è parzialmente inserita nel legno; dopo di che, premere più fortemente il grilletto, fino ad ottenere la velocità di avvitamento ideale.

**ATTENZIONE**

Preparare il foro guida con cura, tenendo in considerazione la durezza del legno. Se il foro dovesse essere troppo piccolo o profondo, sarebbe necessario applicare una forza di avvitamento tale, che il passo della vite del legno potrebbe venire rovinato.

**6. Solo martellamento (Solo DH24PC3)**

Questo martello rotante può essere impostato solo in modalità di martellamento prendendo il pulsante e ruotando la leva di selezione sul simbolo  (Fig. 13).

- (1) Montare la punta gigante o lo scalpello freddo.
- (2) Premere il pulsante e impostare la leva di selezione in posizione intermedia tra il simbolo  e  (Fig. 14). La rotazione verrà arrestata, quindi ruotare la presa e regolare lo scalpello freddo nella posizione desiderata (Fig. 15).
- (3) Ruotare la leva di selezione sul simbolo  (Fig. 13). A questo punto la punta gigante o lo scalpello freddo sono bloccati.

**7. Uso della bacchetta di arresto (Fig. 16)**

- (1) Allentare il bullone manopola sul manico laterale e inserire la bacchetta di arresto nel foro di montaggio sul manico laterale.
- (2) Regolare la posizione della bacchetta d'arresto a seconda della profondità del foro e fissare bene il bullone manopola.

**8. Uso della punta a gambo conico insieme con l'adattatore per gambo conico**

- (1) Montare l'adattatore per gambo conico sul trapano (Fig. 17).
- (2) Montare la punta a gambo conico sull'adattatore per punta a gambo conico (Fig. 17).
- (3) Accendere l'attrezzo ed eseguire il foro secondo la profondità prestabilita.
- (4) Per smontare la punta a gambo conico inserire la coppia nella fessura dell'adattatore per gambo conico e battere sulla punta (della coppia) con un martello, con l'attrezzo e la punta appoggiati su dei supporti (Fig. 18).

**USO DELLA CORONA  
(PER CARICHI LIMITATI)**

Per eseguire dei fori ad ampio raggio usare una corona (carico limitato). La corona va usata in combinazione con la punta della corona ed il gambo della corona, pure disponibili quali accessori opzionali.

**1. Montaggio****ATTENZIONE**

Controllare che l'attrezzo sia spento e non collegato alla presa di rete.

- (1) Montare la corona sul gambo della corona (Fig. 19). Lubrificare la filettatura del gambo della corona, in modo da facilitare lo smontaggio.
- (2) Montare il gambo della corona sul trapano (Fig. 20).
- (3) Inserire la punta della corona nella piastra guida, a fondo.
- (4) Innestare la piastra guida e la corona e girare la piastra guida verso destra o sinistra, in modo che non si piega anche girandola verso il basso (Fig. 21).

## 2. Esecuzione di forature (Fig. 22)

- (1) Inserire la spina del cavo in una presa di rete.
- (2) La punta della corona è provvista di una molla. Appoggiare la corona sulla superficie da forare. Fare in modo che le due superfici siano bene in contatto e mettere l'attrezzo in funzione.
- (3) Dopo aver forato fino ad una profondità di circa 5 mm, la posizione del foro diventa stabile. A questo momento continuare la foratura senza punta della corona e la piastra guida.
- (4) Esercitando una forza eccessiva sul trapano, durante la foratura, non si aumenta la velocità di esecuzione del lavoro, ma si causa soltanto il più veloce consumo della punta e la diminuzione della durata del trapano.

## ATTENZIONE

Prima di togliere la punta della corona e la piastra guida spegnere l'apparecchio e levare la spina dalla presa di rete.

## 3. Smontaggio (Fig. 23)

È possibile procedere con un altro metodo: togliere il gambo della corona dal trapano e battere fortemente con un martello due o tre volte la testa del gambo della corona. Si allenta così la filettatura e la corona può essere smontata.

---

## LUBRIFICAZIONE

---

Per assicurare il buon funzionamento di questo trapano, esso deve essere lubrificato con del grasso a bassa viscosità. Se del grasso dovesse perdersi a causa di viti allentate, rivolgersi ad un centro di assistenza autorizzato. Continuando ad usare il trapano con lubrificazione carente si causa una sicura limitazione della vita dell'attrezzo.

## ATTENZIONE

Usare solo il grasso sopraccitato. Usando del grasso diverso le prestazioni dell'attrezzo potrebbero soffrirne. Se il grasso deve essere sostituito, rivolgersi ad un centro di assistenza.

---

## MANUTENZIONE ED ISPEZIONE

---

### 1. Controllo della punta

L'uso di punte usurate causa un malfunzionamento del motore e un abbassamento dell'efficienza di lavoro. Sostituire le punte usurate o appuntirle immediatamente quando si notano segni di abrasione.

### 2. Controllo delle viti di tenuta

Controllare regolarmente tutte le viti di tenuta e assicurarsi che siano esclusivamente serrate. Nel caso che una di queste viti dovesse allentarsi riserrarla immediatamente. Se si non ottiene di farlo, si può causare un grave incidente.

### 3. Manutenzione del motore

L'avvolgimento del motore il vero e proprio "cuore" degli attrezzi elettrici. Fare attenzione a non

danneggiare l'avvolgimento e/o non bagnarlo con olio o acqua.

## 4. Ispezione delle spazzole di carbone

Per mantenere la vostra sicurezza e la protezione da scosse elettriche, l'ispezione delle spazzole di carbone e la loro sostituzione su questo utensile deve essere eseguita SOLO da un centro assistenza autorizzato Hitachi.

## 5. Sostituzione del cavo di alimentazione

Se il cavo di alimentazione dell'attrezzo è danneggiato, l'attrezzo deve essere rinviato ad un centro assistenza autorizzato Hitachi per la sostituzione del cavo.

## 6. Lista dei pezzi di ricambio

- A: N. voce
- B: N. codice
- C: N. uso
- D: Note

## CAUTELA

Riparazioni, modifiche e ispezioni di utensili elettrici Hitachi devono essere eseguite da un centro assistenza Hitachi autorizzato.

Questa lista dei pezzi torna utile se viene presentata con l'utensile al centro assistenza Hitachi autorizzato quando si richiedono riparazioni o altri interventi di manutenzione.

Nell'uso e nella manutenzione degli utensili elettrici devono essere osservate le normative di sicurezza e i criteri prescritti in ciascun paese.

## MODIFICHE

Gli utensili elettrici Hitachi vengono continuamente migliorati e modificati per includere le più recenti innovazioni tecnologiche.

Di conseguenza, alcuni pezzi (p.es. numero di codice e/o design) possono essere modificati senza preavviso.

---

## NOTA

A causa del continuo programma di ricerca e sviluppo della HITACHI, le caratteristiche riportate in questo foglio sono soggette a cambiamenti senza preventiva comunicazione.

---

## Informazioni riguardanti i rumori trasmessi dall'aria e le vibrazioni

I valori misurati sono stati determinati in conformità a EN60745 e descritti in conformità alla normativa ISO 4871.

### DH24PB3/DH24PC3

Livello misurato di potenza sonora pesato A: 106 dB (A)  
Livello misurato di pressione sonora pesato A: 93 dB (A)  
KpA incertezza: 3 dB (A)

Indossare protezioni per le orecchie.

Il valore efficace pesato tipico dell'accelerazione è di:  
8,6 m/s<sup>2</sup> (DH24PB3).  
8,5 m/s<sup>2</sup> (DH24PC3).

---

## ALGEMENE VEILIGHEIDSWAARSCHUWINGEN VOOR ELEKTRISCH GEREEDSCHAP

### ⚠ WAARSCHUWING

Lees alle waarschuwingen en instructies aandachtig door.

Nalating om de waarschuwingen en instructies op te volgen kan in een elektrische schok, brand en/of ernstig letsel resulteren.

Bewaar alle waarschuwingen en aanwijzingen voor eventuele naslag in de toekomst.

De term "elektrisch gereedschap" heeft zowel betrekking op elektrisch gereedschap dat via de netvoeding van stroom wordt voorzien als gereedschap dat via een accu (snoerloos) van stroom wordt voorzien.

#### 1) Veiligheid van de werkplek

##### a) Zorg voor een schone en goed verlichte werkplek.

Een rommelige of donkere werkplek verhoogt de kans op ongelukken.

##### b) Gebruik het elektrisch gereedschap niet in een omgeving met ontplofbare vloeistoffen, gassen of stof.

Elektrisch gereedschap kan vonken afgeven. Deze vonkjes kunnen stofdeeltjes of gassen doen ontbranden.

##### c) Houd kinderen en andere toeschouwers tijdens het gebruik van elektrische gereedschap uit de buurt.

Afleidingen kunnen gevaarlijk zijn.

#### 2) Elektrische veiligheid

##### a) De stekker op het elektrische gereedschap moet geschikt zijn voor aansluiting op de wandcontactdoos.

De stekker mag op geen enkele manier gemodificeerd worden. Gebruik geen verloopstekker met geaard elektrisch gereedschap.

Deugdelijke stekkers en geschikte wandcontactdozen verminderen het risico op een elektrische schok.

##### b) Vermijd lichamelijk contact met geaarde oppervlakken zoals leidingen, radiatoren, fornuizen en koelkasten.

Wanneer uw lichaam in contact staat met geaarde oppervlakken loopt u een groter risico op een elektrische schok.

##### c) Stel het elektrisch gereedschap niet bloot aan regen of vochtige omstandigheden.

Het risico op een elektrische schok wordt vergroot wanneer er water in het elektrisch gereedschap terechtkomt.

##### d) Behandel het snoer voorzichtig. Draag het gereedschap nooit door dit bij het snoer vast te houden. Trek niet aan het snoer wanneer u de stekker uit het stopcontact wilt halen.

Houd het snoer uit de buurt van warmtebronnen, olie, scherpe randen of bewegende onderdelen.

Een beschadigd of verward snoer verhoogt het risico op een elektrische schok.

##### e) Gebruik buitenshuis een verlengsnoer dat specifiek geschikt is voor het gebruik buiten.

Het gebruik van een snoer dat specifiek geschikt is voor gebruik buitenshuis vermindert het risico op een elektrische schok.

##### f) Als het elektrisch gereedschap in een vochtige omgeving gebruikt moet worden, dient een voeding met RCD (reststroom-apparaat) beveiliging te worden gebruikt.

Gebruik van een RCD vermindert de kans op een elektrische schok.

#### 3) Persoonlijke veiligheid

##### a) Blijf waakzaam, let voortdurend op uw werk en gebruik uw gezond verstand wanneer u elektrisch gereedschap gebruikt.

Gebruik geen elektrisch gereedschap wanneer u moe bent of onder invloed van drugs, alcohol of medicijnen.

Eén moment van onoplettendheid kan in ernstig lichamelijk letsel resulteren.

##### b) Gebruik persoonlijke beschermingsmiddelen. Draag altijd oogbescherming.

Beschermingsmiddelen zoals stofmaskers, niet-glijdende veiligheidschoenen, een helm of oorbescherming vermindert het risico op lichamelijk letsel.

##### c) Voorkom dat het gereedschap per ongeluk kan starten. Controleer of de schakelaar in de uit-stand staat voordat u de voeding en/of de accu aansluit, het gereedschap oppakt of gaat dragen.

Zorg ervoor dat u tijdens het verplaatsen van het elektrisch gereedschap uw vingers uit de buurt van de schakelaar houdt en sluit de stroombron niet aan terwijl de schakelaar op aan staat om ongelukken te vermijden.

##### d) Verwijder sleutels en moersleutels uit het gereedschap voordat u het elektrisch gereedschap aanzet.

Een (moer-)sleutel die op een bewegend onderdeel van het elektrisch gereedschap bevestigd is kan in lichamelijk letsel resulteren.

##### e) Reik niet te ver. Zorg ervoor dat u te allen tijde stevig staat en uw evenwicht behoudt.

Op deze manier heeft u tijdens een onverwachte situatie meer controle over het elektrisch gereedschap.

##### f) Draag geen loszittende kleding of sieraden. Houd uw haar, kleding en handschoenen uit de buurt van bewegende onderdelen.

Loszittende kleding, sieraden en lang haar kunnen in de bewegende onderdelen verstrikt raken.

##### g) Indien het elektrisch gereedschap van een aansluiting voor stofafzuiging is voorzien dan dient u ervoor te zorgen dat de stofafzuiging aangesloten en op de juiste manier gebruikt wordt.

Het gebruik van stofafzuiging vermindert eventuele stofgerelateerde risico's.

#### 4) Bediening en onderhoud van elektrisch gereedschap

##### a) Het elektrisch gereedschap mag niet geforceerd worden. Gebruik het juiste gereedschap voor het karwei.

U kunt de klus beter en veiliger uitvoeren wanneer u het juiste elektrische gereedschap gebruikt.

##### b) Gebruik het elektrisch gereedschap niet als de schakelaar niet goed werkt.

Elektrisch gereedschap dat niet via de schakelaar bediend kan worden is gevaarlijk en moet onmiddellijk gerepareerd worden.

##### c) Haal de stekker uit het stopcontact voordat u de voeding en/of de accu van het elektrisch gereedschap losmaakt, afstellingen verricht, accessoires verwisselt of voordat u het elektrisch gereedschap opbergt.

Dergelijke preventieve veiligheidsmaatregelen verminderen het risico dat het elektrisch gereedschap per ongeluk opstart.

##### d) Berg elektrisch gereedschap buiten het bereik van kinderen op en sta niet toe dat personen die niet bekend zijn met het juiste gebruik van het gereedschap of deze voorschriften dit elektrisch gereedschap gebruiken.

Elektrisch gereedschap is gevaarlijk in onbevoegde handen.

##### e) Het elektrisch gereedschap moet regelmatig onderhouden worden. Controleer het gereedschap op een foutieve uitlijning, vastgelopen of defecte bewegende onderdelen en andere problemen die van invloed zijn op de juiste werking van het gereedschap.

Indien het gereedschap defect of beschadigd is moet het gerepareerd worden voordat u het gereedschap opnieuw gebruikt.

*Slecht onderhouden elektrisch gereedschap is verantwoordelijk voor een groot aantal doe-het-zelf ongelukken.*

- f) **Houd snijwerktuigen scherp en schoon.**  
*Goed onderhouden snijwerktuigen met scherpe snijranden lopen minder snel vast en zijn gemakkelijker in het gebruik.*
- g) **Elektrisch gereedschap, toebehoren, bits enz. moeten in overeenstemming met deze instructies worden gebruikt waarbij de werkomstandigheden en het werk in overweging moeten worden genomen.**  
*Gebruik van het elektrisch gereedschap voor andere doeleinden dan waarvoor het is bedoeld, kan resulteren in een gevaarlijke situatie.*
- 5) **Onderhoudsbeurt**
- a) **Het gereedschap mag uitsluitend door bevoegd onderhoudspersoneel worden onderhouden die authentieke onderdelen gebruikt.**  
*Hierdoor kunt u erop aan dat de veiligheid van het elektrisch gereedschap behouden blijft.*

## VOORZORGMATREGELEN

Houd kinderen en kwetsbare personen op een afstand.

Het gereedschap moet na gebruik buiten het bereik van kinderen en andere kwetsbare personen worden opgeborgen.

## TECHNISCHE GEGEVENS

Model	DH24PB3	DH24PC3
Voltage PB(verschillend van gebied tot gebied)*	(110V, 115V, 120V, 127V, 220V, 230V, 240V) ~	
Opgenomen vermogen	800W*	
Onbelaste snelheid	0 – 1050 min <sup>-1</sup>	0 – 1150 min <sup>-1</sup>
Anataal slagen belast	0 – 4600 min <sup>-1</sup>	
Capaciteit: beton	3,4 – 24 mm	
staal	13 mm	
hout	32 mm	
Gewicht (zonder kabel en zijgreep)	2,3 kg	2,4 kg

\* Controleer het naamplaatje op het apparaat daar het apparaat afhankelijk van het gebied waar het verkocht wordt gewijzigd kan worden.

## STANDAARD TOEBEHOREN

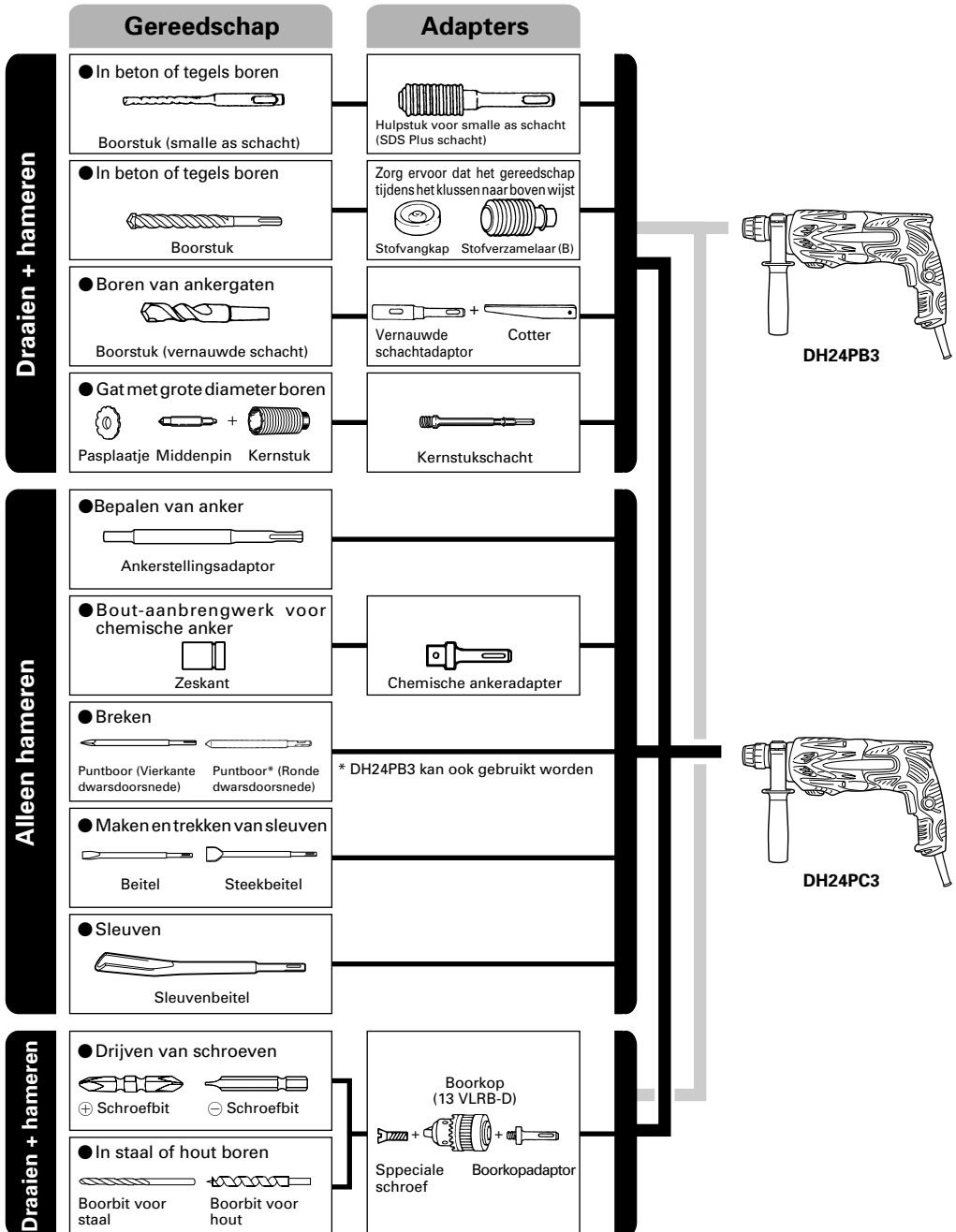
- (1) Plastic doos ..... 1  
 (2) Zijgreep ..... 1  
 (3) Diepte-maatlat ..... 1

De standaard toebehoren kunnen zonder aankondiging op ieder moment worden veranderd.

## VEILIGHEIDSWAARSCHUWINGEN VOOR DE BOORHAMER

- Draag oorbeschermers**  
 Blootstelling aan lawaai kan tot gehoorverlies leiden.
- Gebruik de extra handgrepen die met het gereedschap zijn meegeleverd.**  
 Verlies van controle over het gereedschap kan in lichamelijk letsel resulteren.
- Het booreinde gedurende of direct na het uitzetten NIET aanraken. Het booreinde wordt tijdens het boren uiterst heet en zou ernstige brandwonden kunnen veroorzaken.
- Voordat U in een muur, plafond of vloer iets uitbreekt, dient gecontroleerd te worden of er elektrische kabels of leidingsnaren onder liggen.
- Houd de handgrepen van het elektrisch gereedschap altijd stevig vast. Zoniet, dan zal de tegendruk onzuiver werk of gevaarlijke situaties, dan uitaties in de hand werken.
- Draag een stofmasker  
 Adem de schadelijke stoffen die tijdens het boren of beitelen vrijkomen niet in. De stoffen kunnen schadelijk zijn voor uw gezondheid en de gezondheid van toeschouwers.

**EXTRA TOEBEHOREN (los te verkrijgen)**



● In beton of tegels boren

Boorstuk (smalle as schacht)		
Buitendiameter	Totale lengte	Effektieve lengte
3,4 mm	90 mm	45 mm
3,5 mm		

SDS-plus boorbit		
Buitendiameter	Totale lengte	Effektieve lengte
4,0 mm	110 mm	50 mm
5,0 mm	110 mm	50 mm
	160 mm	100 mm
5,5 mm	110 mm	50 mm
6,5 mm	160 mm	100 mm
7,0 mm	160 mm	100 mm
8,0 mm	160 mm	100 mm
8,5 mm	160 mm	100 mm
9,0 mm	160 mm	100 mm
12,0 mm	166 mm	100 mm
	260 mm	200 mm
12,7 mm	166 mm	100 mm
14,0 mm	166 mm	100 mm
15,0 mm	166 mm	100 mm
16,0 mm	166 mm	100 mm
	260 mm	200 mm
17,0 mm	166 mm	100 mm
19,0 mm	260 mm	200 mm
20,0 mm	250 mm	200 mm
22,0 mm	250 mm	200 mm
25,0 mm	450 mm	400 mm
30,0 mm	450 mm	400 mm

● Boren van ankerpaten

Vernauwde schachtadaptor
Soort taper
Morse taper (Nr.1)
Morse taper (Nr.2)
A-taper
B-taper

● Gat met grote diameter boren

Kernstuk Buitendiameter	Middenpin	Kernstukschacht Totale lengte
25 mm*	Niet van toepassing	105 mm 300 mm
29 mm*		
32 mm	(A)	
35 mm		
38 mm	(B)	300 mm
45 mm		
50 mm		

\* Zonder geleideplaat

● Bepalen van anker

Ankerstellingsadaptor Anker formaat
W 1/4"
W 5/16"
W 3/8"
W 1/2"
W 5/8"

De extra toebehoren kunnen zonder aankondiging op ieder moemnt worden veranderd.

---

## TOEPASSINGEN

---

(DH24PB3 • DH24PC3)

Draaien en hameren

- Boren van ankergraten
- Boren van gaten in beton
- Boren van gaten in tegels

Alleen draaien

- Boren in staal of hout (met los verkrijgbare toebehoren)
- Vastdraaien van machine-schroeven, houtschroeven (met los verkrijgbare toebehoren)

(Alleen DH24PC3)

Alleen hameren

- Licht hakwerk in beton, het maken en trekken van sleuven.

---

## VOOR HET GEBRUIK

---

### 1. Netspanning

Controleren of de netspanning overeenkomt met de opgave op het naamplaatje.

### 2. Netschakelaar

Controleren of de netschakelaar op „UIT” staat. Wanneer de stekker op het net aangesloten is, terwijl de schakelaar op „AAN” staat, begint het gereedschap onmiddellijk te draaien, hetwelk ernstig gevaar betekent.

### 3. Verlengsnoer

Wanneer het werkteerrein niet in de buurt van een stopcontact ligt, dan moet men gebruik maken van een verlengsnoer, dat voldoende dwarsprofiel en voldoende nominaal vermogen heeft. Het verlengsnoer moet zo kort mogelijk gehouden worden.

### 4. Bevestigen van het boorstuk (Afb. 1)

#### LET OP

Om ongelukken te voorkomen moet u de hoofdschakelaar uit zetten en de stekker uit het stopcontact halen.

#### OPMERKING

Wanneer u wilt werken met puntboren, boorstukken enz., moet u gebruik maken van de originele onderdelen zoals aangegeven door ons bedrijf.

- (1) Maak de schacht van het boorstuk netjes schoon.
- (2) Steek het boorstuk met een draaiende beweging in de gereedschapshouder totdat het boorstuk vergrendelt (Afb. 1).
- (3) Controleer of het boorstuk goed vast zit door er aan te trekken.
- (4) Om het boorstuk te verwijderen, de greep volledig in de richting van de pijl trekken en vervolgens het boorstuk naar buiten trekken (Afb. 2).

### 5. Voor het installeren van de stofvangkap of de stofverzamelaar (B) (Extra toebehoren) (Afb. 3, Afb. 4)

Bij gebruik van de boorhamer boven uw hoofd zonder de stofopvang-adaptor, dient u de stofvangkap of de stofverzamelaar (B) aan te brengen, voor het opvangen van stof en vallende deeltjes.

- Aanbrengen van de stofvangkap  
Breng de stofvangkap voor het gebruik aan op de boorkop, zoals aangegeven in **Afb. 3**.  
Voor het aanbrengen op een boorkop met een grote diameter kunt u het middengat van de stofvangkap vergroten door het voorzichtig met de boorhamer uit te boren.

- Aanbrengen van de stofverzamelaar (B)  
Breng de stofverzamelaar (B) voor het gebruik aan op de boorkop, door de stofverzamelaar (B) voor het eind van de boorkop gelijk te houden met de groef in de handgreep (Afb. 4).

#### LET OP

- De stofvangkap en de stofverzamelaar (B) dienen uitsluitend voor het boren in boten. Gebruik deze onderdelen niet bij het boren in hout of in metaal.
- Steek de stofverzamelaar (B) volledig in het klemgedeelte van de hoofdeenheid.
- Bij inschakelen van de boorhamer terwijl de stofverzamelaar (B) niet tegen het beton-oppervlak aan sluit, zal de stofverzamelaar (B) met de boorkop mee draaien. Let dus op dat u de schakelaar pas indrukt nadat u de stofverzamelaar (B) stevig tegen het betonnen oppervlak gedrukt heeft. (Bij gebruik van de stofverzamelaar (B) met een boorkop die in totaal meer dan 190 mm lang is, kan de stofverzamelaar (B) het betonnen oppervlak niet raken, zodat meedraaien dan onvermijdelijk is. Gebruik daarom de stofverzamelaar (B) uitsluitend op een boorkop met een totale lengte van 166 mm, 160 mm of 110 mm.)
- Leeg de stofverzamelaar (B) telkens na het boren van twee of drie gaten.
- Verwijder de stofverzamelaar (B) voor u de boorkop vervangt.

### 6. Kiezen van aandrijfstuk

Schroefkoppen of boren kunnen beschadigd worden als men niet een boorstuk van de juiste grootte gebruikt om de schroef aan te draaien.

### 7. Controle van de draairichting van de boor (Afb. 5)

De boor draait met de klok mee (van achteren gezien) wanneer u op de R-kant van de drukknop drukt. De L-kant van de drukknop dient u in te drukken als u de boor tegen de klok in wilt laten draaien.

---

## GEBRUIK

---

#### LET OP

Voorkom ongelukken en controleer dat de startschakelaar in de uit-stand is gedrukt en de stekker van het netsnoer is ontkoppeld alvorens een boorstuk of andere onderdelen te bevestigen of te verwijderen.

### 1. Bediening van de schakelaar

Het toerental van de boor kan door verandering van de druk op de drukschakelaar geregeld worden. De snelheid is gering, wanneer de drukschakelaar slechts licht getrokken is en verhoogt zich, wanneer de schakelaar verder doorgetrokken wordt. Doorlopend bedrijf verkrijgt men door het trekken van de drukschakelaar en het indrukken van de vergrendelknop. Voor het uitschakelen trekt men de druk schakelaar er opnieuw uit en maakt de vergrendelknop los. Na het loslaten keert de drukschakelaar terug op de oorspronkelijke plaats.

De drukschakelaar kan tijdens de linksregeling niet verder dan halverwege worden ingedrukt en draait twee keer zo langzaam dan tijdens de normale rechtsregeling.

De vergrendelknop kan tijdens de linksregeling niet gebruikt worden.

### 2. Draaien + hameren


Door op de druktoets te drukken en de keuzehandelaar naar de **T** markering te draaien, kan deze boorhamer voor draaien en hameren worden gebruikt (Afb. 6 of Afb.7).

- (1) Bevestig de boor.
- (2) Plaats de punt van de boor op de gewenste positie en trek aan de schakelaar (**Afb. 8**).
- (3) Het is niet nodig met kracht tegen de boorhamer te drukken. Lichtjes drukken zodat de stukjes naar buiten komen is reeds voldoende.

#### LET OP

Als het boorstuk vast komt te zitten in een ijzeren stang, kan de boorhamer hevi gaan schudden. Zorg er daarom voor dat beide handgrepen goed worden vastgehouden zoals aangegeven in **Afb. 8**.

#### 3. Alleen draaien

Door op de druktoets te drukken en de keuzehendel naar de  markering te draaien, kan deze boorhamer in de functie voor uitsluitend roteren worden gesteld (**Afb. 9 of Afb.10**).

Ga als volgt te werk voor het boren in hout of metaal met behulp van de boorkop en boorkopadaptor (extra toebehoren).

Bevestigen van de boorkop en boorkopadaptor (**Afb. 11**).

- (1) Bevestig de boorkop aan de boorkopadaptor.
- (2) Het onderdeel van de SDS Plus schacht is hetzelfde als een boorstuk. Zie daarom het gedeelte „Bevestigen van het boorstuk” om dit deel te bevestigen.

#### LET OP

- Het is niet nodig met kracht tegen de boorhamer te drukken. Wordt ditmatige slijt-tage van de punt van het boorstuk en een kortere levensduur van de boorhamer.
- Bij het terugtrekken van de boor uit het geboorde gat, is het mogelijk dat het boorstuk breekt. Ga daarom voorzichtig te werk bij het terugtrekken.
- Probeer geen ankerpaten te boren of gaten in beton terwijl de machine in de „alleen draaien” functie is.
- Probeer de boorhamer niet te gebruiken in de „draaien en stoten” functie terwijl de boorkop en de boorkopadaptor zijn bevestigd. Dit zal de levensduur van de diverse onderdelen van de machine aanzienlijk verkorten.

#### 4. Drijven van machineschroeven (Afb. 12)

Steek eerst het schroefstuk in de aansluitbus die zich aan het uiteinde van het kopadaptor (D) bevindt. Bevestig vervolgens het kopadaptor (D) op het apparaat zoals beschreven in 4 (1), (2), (3). Plaats de top van het schroefstuk in de gleuven van de kop van de schroef. Pak het apparaat stevig beet en draai de schoef vast.

#### LET OP

- Zorg ervoor dat de schroef niet al te lang wordt aangedraaid, omdat de schroef beschadigd zou kunnen worden.
- Zet de boorhamer recht op de schroef wanneer deze wordt aangedraaid; wanneer dit niet gedaan wordt kan de kop van de schroef beschadigd worden. De draaikracht kan ook onvoldoende op de schroef worden overgebracht.
- Probeer niet de slag-en draaifunctie van de hamerboor te gebruiken met de boorhuls en boorkop bevestigd.

#### 5. Aandraaien van houtschroeven (Afb. 12)

- (1) Kiezen van de juiste boorpunt  
Gebruik indien mogelijk altijd een plus-kop schroef omdat een boorpunt gemakkelijk van een min-kop schroef afglijdt.

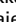
- (2) Aandraaien van houtschroeven

- Maak een gat in de oppervlakte van het hout voordat de houtschroef ingedraaid wordt. Zet de punt van de boor op de kop van de schroef en draai deze langzaam naar binnen.
- Draai de boorhamer eerst langzaam totdat deschroef gedeeltelijk is ingedreven, en trek dan verder aan de schakelaar om optimale drijfkraft te verkrijgen.

#### LET OP

Neem voorzichtigheid in acht bij het maken van een gat voor de schroef; met de hardheid van het hout dient rekening gehouden te worden. Als het gat te klein is, of te ondiep, hetgeen meer drijfkraft vereist, kan het schroefdraad van de schroef beschadigd worden.

#### 6. Alleen hameren (Alleen DH24PC3)

Door de drukknop in te drukken en de keuzeschakelaar naar het  teken te draaien kan deze boorhamer worden ingesteld voor alleen hameren (**Afb. 13**).

- (1) Bevestig de puntboor of beitel.
- (2) Druk op de drukknop en zet de keuzeschakelaar in het midden van het  teken en  teken (**Afb. 14**). De draaifunctie is stopgezet, draai de greep en zet de beitel in de gewenste positie (**Afb. 15**).
- (3) Draai de keuzeschakelaar naar het  teken (**Afb. 13**). De puntboor of beitel is aan de schacht vastgezet.

#### 7. Gebruik van de stopper (Afb. 16)

- (1) Draai de knop op de zijhendel los en steek de stopper in de U-vormige groef van de zijhendel.
- (2) Bepaal de positie van de stopper overeenkomstig de diepte van het gat en draai de knop stevig vast.

#### 8. Gebruik van het boorstuk (met vernauwde schacht) en de vernauwde schachtadaptor

- (1) Bevestig de vernauwde schachtadaptor aan de boorhamer (**Afb. 17**).
- (2) Bevestig het boorstuk (met vernauwde schacht) aan de vernauwde schachtadaptor (**Afb. 17**).
- (3) Schakel de boorhamer in en boor een gat van de gewenste diepte.
- (4) Voor het verwijderen van het boorstuk (met vernauwde schacht) dient de cotter in de gleuf van de vernauwde schachtadaptor te worden gestoken. Sla nu op de cotter terwijl de boorhamer wordt ondersteund (**Afb. 18**).

---

## GEBRUIK VAN HET KERNSTUK (VOOR LICHT BELASTING)

---

Met behulp van het kernstuk (voor lichte balasting) kunnen grote kaliber gaten geboord worden. Gebruik het kernstuk samen met de los verkrygbare en de kernstukschacht.

#### 1. Monteren

##### LET OP

Schakel de boorhamer uit en trek de stekker uit het stopcontact.

- (1) Bevestig het kernstuk aan de kernstukschacht (**Afb.19**). Bedek de schroefdraad van de kernstukschacht met vet om naderhand het demonteren te vergemakkelijken.
- (2) Bevestig de kernstukschacht aan de boorhamer (**Afb. 20**).
- (3) Steek de middenpin zo ver mogelijk in het pasplaatje.
- (4) Leg het pasplaatje op het kernstuk en draai het links- of rechtsom zodat het niet uit positie kan raken, zelfs als het kernstuk naar beneden wordt gericht (**Afb. 21**).



**2. Boren (Afb. 22)**

- (1) Steek de stekker in het stopcontact.
- (2) De middenpin heeft een ingebouwde veer. Door deze recht en zachtjes tegen een muur of vloer te drukken maakt de oppervlakte van het kernstuk contact waarna een gat geboord kan worden.
- (3) Als de diepte van het gat ongeveer 5 mm bedraagt, kan de positie van het gat bepaald worden. Verwijder hierna de middenpin en het plaatje en boor vervolgens het gat.
- (4) Het is niet nodig met kracht tegen de boorhamer te drukken. Wordt dit wel gedaan, dan zal dit resulteren in overmatige slijtage van de punt van het boorstuk en een kortere levensduur van de boorhamer.

**LET OP**

Schakel de boorhamer uit en trek de stekker uit het stopcontact alvorens de middenpin en het plaatje te verwijderen.

**3. Demonderen (Afb. 23)**

Neem de kernstukschacht uit de boorhamer en sla twee of drie keer hard met een hamer op de kop van de kernstukschacht. Het kernstuk kan nu verwijderd worden.

---

**SMEREN**

---

Gebruik vet met een lage viscositeit voor het smeren van de boorhamer. In dit geval hoeft de boorhamer slechts af en toe te worden ingevet. Neem contact op met uw dealer als er vet lekt bij de schroeven.

Gebruik van een niet voldoende ingevette boorhamer zal resulteren in een verkorting van de levensduur.

**LET OP**

Gebruik uitsluitend het voorgeschreven soort vet. Bij gebruik van een willekeurig ander soort vet kunnen de prestaties van de boorhamer negatief beïnvloed worden. Raadpleeg uw dealer voor het insmeren.

---

**ONDERHOUD EN INSPECTIE**

---

**1. Inspectie van de boor**

Versleten boren dienen onmiddellijk vervangen of geslepen te worden, daar gebruik van versleten boren kan resulteren in verminderde efficiëntie en defekten aan de motor.

**2. Inspectie van de bevestigingsschroef**

Alle bevestigingsschroeven moten regelmatig geïnspecteerd en gecontroleerd worden of zij juist aangedraaid zijn. Wanneer één van de schroeven losraakt, dan moet deze onmiddellijk opnieuw aangedraaid worden. Gebeurt dat niet, dan kan dat tot aanzienlijke gevaren leiden.

**3. Onderhoud van de motor**

De motorwikkeling is het „hart“ van het elektrische gereedschap. Er moet daarom bijzonder zorgvuldig op gelet worden, dat de wikkeling niet beschadigd en/of met olie of water bevochtigd wordt.

**4. Inspecteren van de koolborstels**

Met het oog op uw veiligheid en om elektrische schokken te voorkomen, mag inspectie en vervanging van de koolborstels alleen uitgevoerd worden door een erkend Hitachi service-centrum.

**5. Vervangen van het stroomsnoer**

Als het stroomsnoer van het gereedschap beschadigd raakt, moet het gereedschap aan een erkend Hitachi

Service-centrum worden geretourneerd om het stroomsnoer te laten vervangen.

**6. Lijst vervangingsonderdelen**

- A: Ond.nr.
- B: Codenr.
- C: Gebr.nr.
- D: Opm.

**LET OP**

Reparatie, modificatie en inspectie van Hitachi elektrisch gereedschap dient te worden uitgevoerd door een erkend Hitachi Service-centrum.

Deze Onderdelenlijst komt van pas wanneer u deze samen met het gereedschap aanbiedt bij het erkende Hitachi Service-centrum wanneer u om reparatie of ander onderhoud verzoekt.

Bij gebruik en onderhoud van elektrisch gereedschap dienen de in het land waar u zich bevindt geldende veiligheidsregelgeving en veiligheidsstandaarden stipt te worden opgevolgd.

**MODIFICATIES**

Hitachi elektrisch gereedschap wordt voortdurend verbeterd en gewijzigd teneinde gebruik te kunnen maken van de nieuwste technische ontwikkelingen. Daarom is mogelijk dat sommige onderdelen (zoals codenummers en/of ontwerp) zonder voorafgaande kennisgeving gewijzigd worden.

---

**OPMERKING**

Op grond van het voortdurende research- en ontwikkelingsprogramma van HITACHI zijn veranderingen van de hierin genoemde technische opgaven voorbehouden.

---

**Informatie betreffende luchtgeluid en trillingen**

De gemeten waarden zijn verkregen overeenkomstig EN60745 en voldoen aan de eisen van ISO 4871.

**DH24PB3/DH24PC3**

Gemeten A-gewogen geluidsniveau: 106 dB (A)  
Gemeten A-gewogen geluidsdrukniveau: 93 dB (A)  
Onzekerheid KpA: 3 dB (A)

Draag gehoorbescherming.

Typische gewogen effectieve versnellingswaarde:

8,6 m/s<sup>2</sup> (DH24PB3).  
8,5 m/s<sup>2</sup> (DH24PC3).

---

## ADVERTENCIAS DE SEGURIDAD GENERAL DE LA HERRAMIENTA ELÉCTRICA

### ⚠ ADVERTENCIA

Lea todas las instrucciones y advertencias de seguridad. Si no se siguen las advertencias e instrucciones, podría producirse una descarga eléctrica, un incendio y/o daños graves.

Guarde todas las advertencias e instrucciones para futura referencia.

El término “herramienta eléctrica” en las advertencias hace referencia a la herramienta eléctrica que funciona con la red de suministro (con cable) o a la herramienta eléctrica que funciona con pilas (sin cable).

#### 1) Seguridad del área de trabajo

##### a) Mantenga la zona de trabajo limpia y bien iluminada.

*Las zonas desordenadas u oscuras pueden provocar accidentes.*

##### b) No utilice las herramientas eléctricas en entornos explosivos como, por ejemplo, en presencia de líquidos inflamables, gases o polvo.

*Las herramientas eléctricas crean chispas que pueden inflamar el polvo o los humos.*

##### c) Mantenga a los niños y transeúntes alejados cuando utilice una herramienta eléctrica.

*Las distracciones pueden hacer que pierda el control.*

#### 2) Seguridad eléctrica

##### a) Los enchufes de las herramientas eléctricas tienen que ser adecuados a la toma de corriente.

*No modifique el enchufe.*

*No utilice enchufes adaptadores con herramientas eléctricas conectadas a tierra.*

*Si no se modifican los enchufes y se utilizan tomas de corriente adecuadas se reducirá el riesgo de descarga eléctrica.*

##### b) Evite el contacto corporal con superficies conectadas a tierra como tuberías, radiadores y frigoríficos.

*Hay mayor riesgo de descarga eléctrica si su cuerpo está en contacto con el suelo.*

##### c) No exponga las herramientas eléctricas a la lluvia o a la humedad.

*La entrada de agua en una herramienta eléctrica aumentará el riesgo de descarga eléctrica.*

##### d) No utilice el cable incorrectamente. No utilice el cable para transportar, tirar de la herramienta eléctrica o desenchufarla.

*Mantenga el cable alejado del calor, del aceite, de bordes afilados o piezas móviles.*

*Los cables dañados o enredados aumentan el riesgo de descarga eléctrica.*

##### e) Cuando utilice una herramienta eléctrica al aire libre, utilice un cable prolongador adecuado para utilizarse al aire libre.

*La utilización de un cable adecuado para usarse al aire libre reduce el riesgo de descarga eléctrica.*

##### f) Si no se puede evitar el uso de una herramienta eléctrica en un lugar húmedo, utilice un suministro protegido mediante un dispositivo de corriente residual (RCD).

*El uso de un RCD reduce el riesgo de descarga eléctrica.*

#### 3) Seguridad personal

##### a) Esté atento, preste atención a lo que hace y utilice el sentido común cuando utilice una herramienta eléctrica. No utilice una herramienta eléctrica cuando esté cansado o esté bajo la influencia de drogas, alcohol o medicación.

*La distracción momentánea cuando utiliza herramientas eléctricas puede dar lugar a importantes daños personales.*

##### b) Utilice un equipo de protección. Utilice siempre una protección ocular.

*El equipo de protección como máscara para el polvo, zapatos de seguridad antideslizantes, casco o protección para oídos utilizado para condiciones adecuadas reducirá los daños personales.*

##### c) Evite un inicio involuntario. Asegúrese de que el interruptor está en “off” antes de conectar la herramienta a una fuente de alimentación y/o batería, cogerla o transportarla.

*El transporte de herramientas eléctricas con el dedo en el interruptor o el encendido de herramientas eléctricas con el interruptor encendido puede provocar accidentes.*

##### d) Retire las llaves de ajuste antes de encender la herramienta eléctrica.

*Si se deja una llave en una pieza giratoria de la herramienta eléctrica podrían producirse daños personales.*

##### e) No se extralimite. Mantenga un equilibrio adecuado en todo momento.

*Esto permite un mayor control de la herramienta eléctrica en situaciones inesperadas.*

##### f) Vístase adecuadamente. No lleve prendas sueltas o joyas. Mantenga el pelo, la ropa y los guantes alejados de las piezas móviles.

*La ropa suelta, las joyas y el pelo largo pueden pillarse en las piezas móviles.*

##### g) Si se proporcionan dispositivos para la conexión de extracción de polvo e instalaciones de recogida, asegúrese de que están conectados y se utilizan adecuadamente.

*La utilización de un sistema de recogida de polvo puede reducir los riesgos relacionados con el polvo.*

#### 4) Utilización y mantenimiento de las herramientas eléctricas

##### a) No fuerce la herramienta eléctrica. Utilice la herramienta eléctrica correcta para su aplicación.

*La herramienta eléctrica correcta trabajará mejor y de forma más segura si se utiliza a la velocidad para la que fue diseñada.*

##### b) No utilice la herramienta eléctrica si el interruptor no la enciende y apaga.

*Las herramientas eléctricas que no pueden controlarse con el interruptor son peligrosas y deben repararse.*

##### c) Desconecte el enchufe de la fuente eléctrica y/o la batería de la herramienta eléctrica antes de hacer ajustes, cambiar accesorios o almacenar herramientas eléctricas.

*Estas medidas de seguridad preventivas reducen el riesgo de que la herramienta eléctrica se ponga en marcha accidentalmente.*

##### d) Guarde las herramientas eléctricas que no se utilicen para que no las cojan los niños y no permita que utilicen las herramientas eléctricas personas no familiarizadas con las mismas o con estas instrucciones. Las herramientas eléctricas son peligrosas si son utilizadas por usuarios sin formación.

##### e) Mantenimiento de las herramientas eléctricas. Compruebe si las piezas móviles están mal alineadas o unidas, si hay alguna pieza rota u otra condición que pudiera afectar al funcionamiento de las herramientas eléctricas.

*Si la herramienta eléctrica está dañada, llévela a reparar antes de utilizarla.*

Se producen muchos accidentes por no realizar un mantenimiento correcto de las herramientas eléctricas.

f) **Mantenga las herramientas de corte afiladas y limpias.**  
Las herramientas de corte correctamente mantenidas con los bordes de corte afilados son más fáciles de controlar.

g) **Utilice la herramienta eléctrica, los accesorios y las brocas de la herramienta, etc. de acuerdo con estas instrucciones, teniendo en cuenta las condiciones laborales y el trabajo que se va a realizar.**

La utilización de la herramienta eléctrica para operaciones diferentes a aquellas pretendidas podría dar lugar a una situación peligrosa.

#### 5) Revisión

a) **Lleve su herramienta a que la revise un experto cualificado que utilice sólo piezas de repuesto idénticas.**

Esto garantizará el mantenimiento de la seguridad de la herramienta eléctrica.

#### PRECAUCIÓN

Mantenga a los niños y a las personas enfermas alejadas. Cuando no se utilicen, las herramientas deben almacenarse fuera del alcance de los niños y de las personas enfermas.

### ADVERTENCIAS DE SEGURIDAD DEL MARTILLO PERFORADOR

#### 1. Utilice protectores de oídos

La exposición al ruido puede causar daños auditivos.

#### 2. Utilice los mangos auxiliares proporcionados con la herramienta.

La pérdida de control puede causar daños personales.

#### 3. No tocar la broca durante ni inmediatamente después de trabajar, puesto que se pone ardiente y puede causar quemaduras serias.

#### 4. Antes de empezar a romper, picar o perforar en una pared, suelo o techo, comprobar cuidadosamente que no hayan objetos empotrados, tales como cables o conductos eléctricos.

#### 5. Sujetar siempre firmemente el asidero del cuerpo y el asidero lateral de la herramienta. De lo contrario, la contrafuerza producida podría causar un funcionamiento impreciso e incluso peligroso.

#### 6. Utilice máscara para el polvo No inhale el polvo dañino generado al perforar. El polvo puede poner en peligro su salud y la de los viandantes.

### ESPECIFICACIONES

Modelo	DH24PB3	DH24PC3
Voltaje (por áreas)*	(110V, 115V, 120V, 127V, 220V, 230V, 240V) ∩	
Acometida	800W*	
Velocidad sin carga	0 – 1050 min <sup>-1</sup>	0 – 1150 min <sup>-1</sup>
Velocidad de percusión a carga plena	0 – 4600 min <sup>-1</sup>	
Capacidad: hormigón	3,4 – 24 mm	
acero	13 mm	
madera	32 mm	
Peso (sin cable ni mango lateral)	2,3 kg	2,4 kg

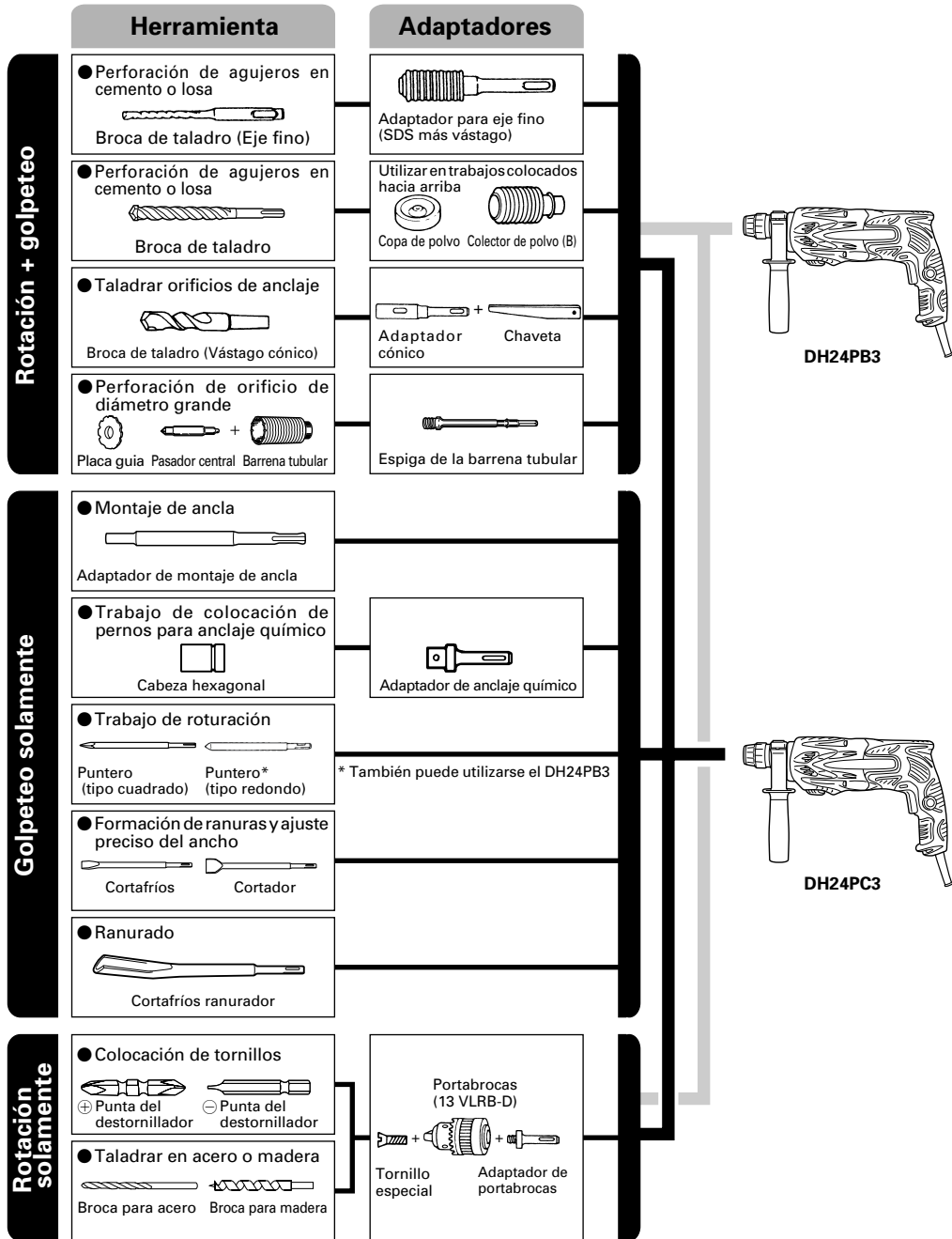
\* Verificar indefectiblemente los datos de la placa de características de la máquina, pues varían de acuerdo con el país de destino.

### ACCESORIOS ESTANDAR

- (1) Caja de plástico ..... 1  
 (2) Mango lateral ..... 1  
 (3) Calibre de profundidad ..... 1

Los accesorios estándar están sujetos a cambio sin previo aviso.

ACCESORIOS FACULTATIVOS (de venta por separado)



● Perforación de agujeros en cemento o losa

Broca de taladro (Eje fino)		
Diám. externo	Longitud total	Longitud efectiva
3,4 mm	90 mm	45 mm
3,5 mm		

Broca SDS-plus		
Diám. externo	Longitud total	Longitud efectiva
4,0 mm	110 mm	50 mm
5,0 mm	110 mm	50 mm
	160 mm	100 mm
5,5 mm	110 mm	50 mm
6,5 mm	160 mm	100 mm
7,0 mm	160 mm	100 mm
8,0 mm	160 mm	100 mm
8,5 mm	160 mm	100 mm
9,0 mm	160 mm	100 mm
	166 mm	100 mm
12,0 mm	260 mm	200 mm
	166 mm	100 mm
12,7 mm	166 mm	100 mm
14,0 mm	166 mm	100 mm
15,0 mm	166 mm	100 mm
16,0 mm	166 mm	100 mm
	260 mm	200 mm
17,0 mm	166 mm	100 mm
19,0 mm	260 mm	200 mm
20,0 mm	250 mm	200 mm
22,0 mm	250 mm	200 mm
25,0 mm	450 mm	400 mm
30,0 mm	450 mm	400 mm

● Taladrar orificios de anclaje

Adaptador cónico
Modo cónico
Cono Morse (No.1)
Cono Morse (No.2)
Cono A
Cono B

Los accesorios de norma están sujetos a cambio sin previo aviso.

● Perforación de orificio de diámetro grande

Barrena tubular Diám. externo	Pasador central	Espiga de la barrena tubular Longitud total
25 mm*	No aplicable	105 mm 300 mm
29 mm*		
32 mm	(A)	
35 mm		
38 mm	(B)	300 mm
45 mm		
50 mm		

\* Sin placa guía

● Montaje de ancla

Adaptador de montaje de ancla Medida de ancla
W 1/4"
W 5/16"
W 3/8"
W 1/2"
W 5/8"

## APLICACION

(DH24PB3 • DH24PC3)

Rotación y función de golpeo

- Perforación de orificios de anclaje
- Perforación de orificios de hormigón
- Perforación de orificios de baldosa

Rotación solamente

- Perforación de orificios en hormigón o madera (con accesorios facultativos)
- Apretar tornillos en metal o madera (con accesorios facultativos)

(DH24PC3 solamente)

Función de golpeo solamente

- Cincelado ligero de hormigón, formación de ranuras y ajuste preciso del ancho.

## ANTES DE LA PUESTA EN MARCHA

### 1. Alimentación

Asegurarse de que la alimentación de red que ha de ser utilizada responda a las exigencias de corriente especificadas en la placa de características del producto.

### 2. Conmutador de alimentación

Asegurarse de que el conmutador de alimentación esté en la posición OFF (desconectado). Si la clavija está conectada en la caja del enchufe mientras el conmutador de alimentación esté en posición ON (conectado) las herramientas eléctricas empezarán a trabajar inmediatamente, provocando un serio accidente.

### 3. Cable de prolongación

Cuando está alejada el área de trabajo de la red de alimentación, usar un cable de prolongación de un grosor y potencia nominal suficiente. El cable de prolongación debe ser mantenido lo más corto posible.

### 4. Montaje de la broca (Fig. 1)

#### PRECAUCION

Para evitar accidentes, cerciéndose de desactivar y de desconectar el enchufe del tomacorriente.

#### NOTA

Cuando utilice herramientas como por ejemplo: cinceles, brocas de taladro, etc., cerciéndose de utilizar piezas genuinas diseñadas por nuestra compañía.

- (1) Limpie la parte del vástago de la broca de taladro.
- (2) Inserte la broca de taladro girando en el sujetador de la herramienta hasta que se asegure bien (Fig. 1).
- (3) Verifique si esta bien asegurado tirando de la broca de taladro.
- (4) Para extraer la broca, tire completamente de la empuñadura en el sentido de la flecha y tire hacia afuera de la broca (Fig. 2).
5. Cuando instale la copa de polvo o el lector de polvo (B) (Accesorios facultativos)(Fig. 3, Fig. 4)

Cuando emplee un martillo perforador para trabajos de taladrado hacia arriba, extraiga el adaptador de recolección de polvo e instale una copa de polvo o un colector de polvo (B) para recolectar las partículas a fin de facilitar la operación.

- Instalación de la copa de polvo  
Emplee la copa de polvo instalando la broca como se muestra en la Fig. 3.  
Cuando emplee una broca de gran diámetro, agrande el orificio central de la copa de polvo con este martillo perforador.

- Instalación del colector de polvo (B)  
Para emplear el colector de polvo (B), Insértelo desde la punta de la broca alineándolo con la ranura de la empuñadura (Fig. 4).

#### PRECAUCIÓN

- La copa de polvo y el colector de polvo (B) son para emplearse exclusivamente en trabajos de perforación de hormigón. No los emplee para trabajar con madera o metal.
- Inserte completamente el colector de polvo (B) en la parte del portabrocas de la unidad principal.
- Cuando ponga en funcionamiento del martillo perforador mientras el colector de polvo (B) esté separado de la superficie de hormigón, dicho colector girará junto con la broca. Cerciórese de apretar el gatillo interruptor después de haber presionado la copa de polvo sobre la superficie de hormigón. (Cuando emplee la copa de polvo con una broca de no más de 190 mm de longitud total, el colector de polvo (B) no podrá tocar la superficie de hormigón girará. Por lo tanto, emplee el colector de polvo (B) con brocas de 166, 160, y 110 mm de longitud total.)
- Vacíe las partículas del colector de polvo (B) después de haber taladrado dos o tres orificios.
- Después de haber extraído el colector de polvo (B), vuelva a colocar a broca.
- 6. Selección de la broca destornillador  
Puede dañarse las cabezas de tornillos y las brocas de atornillar menos que se emplee la broca apropiada según sea el diámetro del tornillo.
- 7. Confirmar la dirección de rotación de la broca (Fig. 5)  
La broca gira en el sentido de las agujas del reloj (visto desde el lado trasero) empujando el lado R del botón.  
Si empuja el lado L del botón, la broca girará en sentido contrario a las agujas del reloj.

## COMO SE USA

#### PRECAUCIÓN

Para evitar accidentes, cerciéndose de poner este interruptor en OFF y de desconectar el enchufe del tomacorriente cuando instale o extraiga brocas y otras piezas. El interruptor de alimentación también deberá ponerse en OFF durante un descanso en el trabajo y después de haber finalizado dicho trabajo.


#### 1. Operación del conmutador

La velocidad rotatoria de la broca de taladro puede ser controlada variando la fuerza con la que se aprieta el pulsador. La velocidad está baja cuando se aprieta ligeramente el pulsador y se aumenta al apretar más el pulsador. La operación continúa puede ser alcanzada apretando el pulsador y apretando hacia abajo el dispositivo de ajuste. Para poner el pulsador en OFF (desconectado) volver a apretar el pulsador para desconectar el dispositivo de ajuste, y soltar el pulsador a su posición normal.

No obstante, el disparador de conmutador sólo puede activarse a medio camino durante el reverso y gira a la mitad de velocidad de la operación de avance.

El tope del conmutador no puede utilizarse durante el reverso.

#### 2. Rotación + golpeo


Este martillo perforador puede usarse en el modo de rotación y martilleo presionando el botón pulsador y girando la palanca selectora hasta la marca  (Fig. 6 o Fig. 7).

- (1) Montar la broca.
- (2) Presionar el interruptor de gatillo después de poner la punta de la broca en la posición para taladrar (Fig. 8).
- (3) No es necesario presionar con fuerza la broca. Presionar ligeramente la broca de forma que el polvo producido al taladrar salga al exterior gradualmente.

#### PRECAUCIÓN

Cuando la broca toque una barra de hierro de construcción se detendrá inmediatamente y el martillo perforador tenderá a girar. Por lo tanto, sujetar el mango lateral y sostenerlo firmemente como se ilustra en la Fig. 8.

#### 3. Rotación solamente

Este martillo perforador puede usarse en el modo de rotación solamente presionando el pulsador y girando la palanca selectora hasta la marca  (Fig. 9 o Fig. 10). Para perforar madera o metal empleando el portabrocas y el adaptador del portabrocas (accesorio facultativo), proceder como sigue.

Instalación del portabrocas y adaptador del portabrocas (Fig. 11).

- (1) Instale la broca en el adaptador del portabrocas.
- (2) La parte del SDS más vástago es igual que una broca. Por lo tanto, para instalarla, consulte "Montaje de la broca".

#### PRECAUCIÓN

- La aplicación de fuerza excesiva acelerará el trabajo pero dañará la punta de la broca y reducirá la vida útil del martillo perforador.
- La broca puede salirse al quitar el martillo perforador del orificio perforado. Para extraer esta herramienta es importante empujar hacia de lante.
- No intentar perforar orificios de anclaje o perforar el concreto con la máquina puesta en la función de rotación solamente.
- No intentar usar el martillo perforador en la función de rotación y golpeteo con el portabrocas y el adaptador del portabrocas instalados. Esto reducirá considerablemente la vida útil de cada componente de la máquina.

#### 4. Cuando coloque tornillos para metal (Fig. 12)

En primer lugar, inserte la broca en el cubo del extremo del adaptador (D) de portabroca.

A continuación, monte el adaptador (D) de portabroca en la unidad principal empleando los procedimientos descritos en 4 (1), (2), y (3), coloque la punta de la broca en las ranuras de la cabeza del tornillo, sujete la unidad principal, y apriete el tornillo.

#### PRECAUCIÓN

- Tener cuidado en no prolongar excesivamente el accionamiento de la herramienta, ya que de lo contrario, pueden dañarse los tornillos por el exceso de fuerza.
- Colocar el martillo perforador en forma perpendicular sobre la cabeza del tornillo al atornillarlo, ya que en caso contrario, puede dañarse la cabeza del tornillo o la broca, e incluso, la fuerza de accionamiento puede que no se transfiera por completo al tornillo.
- No intente emplear la perforadora de percusión en la función de rotación y golpeteo con el adaptador de portabroca y la broca instalados.

#### 5. Atornillando tornillos para madera (Fig. 12)

- (1) Escoger una broca destornillador apropiada y emplear tornillos con cabeza +, en lo posible, debido a que los tornillos con cabeza - hacen que se zafe fácilmente el destornillador.

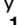
#### (2) Atornillado


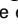

- Antes de atornillar los tornillos para madera, hay que hacer orificios apropiados en la madera, aplicando luego la broca destornillador en la cabeza del tornillo y colocar así éste en los orificios.
- Luego de hacer rotar la herramienta lentamente hasta que el tornillo quede parcialmente metido en la madera, apretar más el gatillo para obtener la fuerza óptima de atornillado.

#### PRECAUCIÓN

Tener cuidado al preparar el orificio para que sea apropiado para el tornillo, teniendo en cuenta la dureza de la madera. Si el orificio es excesivamente pequeño o estrecho, se requiere mucha fuerza para atornillar y a veces puede dañarse la rosca.

#### 6. Golpeteo solamente (DH24PC3 solamente)

Este martillo perforador se puede ajustar en el modo de sólo golpeteo pulsando la tecla y girando la palanquita selectora a la marca  (Fig. 13).

- (1) Instale el puntero o el cortafíos.
- (2) Pulse la tecla y ajuste la palanquita selectora en medio de la marca  y la marca  (Fig. 14). El giro se libera, gire sujetador y ajuste el cortafíos en la posición deseada (Fig. 15).
- (3) Gire la palanquita selectora a la marca  (Fig. 13). Entonces se bloqueará el puntero o el cortafíos.

#### 7. Modo de usar el tope (Fig. 16)

- (1) Afloje el perno de perilla del asa lateral, e inserte el retenedor en el surco en U de dicha asa lateral.
- (2) Ajustar la posición del retenedor de acuerdo a la profundidad del agujero, y apretar firmemente el perno de perilla.

#### 8. Modo de usar la broca (espiga ahusada) y el adaptador de la espiga ahusada

- (1) Montar el adaptador de la espiga ahusada en el martillo perforador (Fig. 17).
- (2) Montar la broca (espiga ahusada) en el adaptador de la espiga ahusada (Fig. 17).
- (3) Poner el interruptor en la posición de encendido (ON), y taladrar un agujero de la profundidad especificada.
- (4) Para quitar la broca (espiga ahusada), insertar la chaveta en la ranura del adaptador de la espiga ahusada y golpear la cabeza de la chaveta con un martillo. Usar apoyos como se muestra en la Fig. 18.

## MODO DE USAR LA BARRENA TUBULAR (PARA CARGAS LIGERAS)

Cuando se tengan que taladrar agujeros grandes, usar la barrena tubular (para cargas ligeras). Usar también el pasador central y la espiga de la barrena tubular provistos como accesorios opcionales.

#### 1. Montaje

#### PRECAUCIÓN

Cerciorarse de poner el interruptor de la alimentación en la posición de apagado (OFF) y de desconectar el enchufe de la toma de alimentación.

- (1) Montar la barrena tubular en su espiga (Fig. 19). Lubricar la rosca de la espiga de la barrena tubular para facilitar el desmontaje.
- (2) Montar la espiga de la barrena tubular en el martillo perforador (Fig. 20).
- (3) Insertar el pasador central en la placa guía hasta que se pare.

- (4) Unir la placa guía con la barrena tubular y girar la placa guía hacia la izquierda o hacia la derecha de forma que no se caiga a pesar de estar indicando hacia abajo (Fig. 21).

### 2. Modo de taladrar (Fig. 22)

- (1) Conectar el enchufe a la toma de alimentación.  
(2) El pasador central se ha instalado un resorte. Presionar ligeramente y sin torcerse hacia la pared o hacia el pared o hacia el suelo. Procurar que toda la punta de la barrena tubular esté en contacto con la superficie a taladrar y luego, empezar la operación.  
(3) Al taladrar aproximadamente 5 mm en profundidad, la posición del agujero queda ya establecida. Quitar el pasador central y la placa guía de la barrena tubular y seguir taladrando.  
(4) La aplicación de una fuerza excesiva acelerará el cumplimiento del trabajo, pero deteriorará la punta de la broca reduciendo la duración del martillo perforador.

### PRECAUCIÓN

Cuando se quite el pasador central y la placa guía, poner el interruptor en la posición de apagado (OFF) y desconectar el enchufe de la toma de alimentación.

### 3. Desmontaje (Fig. 23)

Como otro método, quitar la espiga de la barrena tubular del martillo perforador y golpear fuertemente la cabeza de la espiga de la barrena tubular dos o tres veces con un martillo sujetando la punta de la barrena. La parte roscada se aflojará y la barrena tubular podrá quitarse.

---

## LUBRICACION

---

A este martillo perforador deberá aplicársele grasa de baja viscosidad, de esta forma, el martillo podrá usarse durante un largo periodo de tiempo sin cambiar de grasa. Ponerse por favor en contacto con el agente de reparaciones más cercano para cambiar la grasa si ésta se escapase a través de los tornillos flojos.

La falta de grasa hará que el martillo perforador se agarrote disminuyendo por lo tanto su duración.

### PRECAUCIÓN

En esta herramienta deberá usarse la grasa especificada. El uso de otras grasas podría afectar negativamente al rendimiento. Cerciórese de preguntar a sus agentes de servicio por la grasa de repuesto.

---

## MANTENIMIENTO E INSPECCION

---

### 1. Inspeccionar la broca de taladro

Debido a que el uso de brocas desafiladas pueden causar mal funcionamiento del motor y desmejorar la eficacia del taladro, hay que reemplazar las brocas en malas condiciones por nuevas o afilarlas de inmediato al advertir abrasión.

### 2. Inspeccionar los tornillos de montaje

Regularmente inspeccionar todos los tornillos de montaje y asegurarse de que estén apretados firmemente. Si cualquier tornillo estuviera suelto, volver a apretarlo inmediatamente. El no hacer esto provocaría un riesgo serio.

### 3. Mantenimiento de motor

La unidad de bobinado del motor es el verdadero corazón de las herramientas eléctricas. Prestar el mayor cuidado y asegurarse de que el bobinado no se dañe y/o se humedezca con aceite o agua.

### 4. Inspección de las escobillas

Por motivos de seguridad contra descargas eléctricas, la inspección y el reemplazo de las escobillas deberán realizarse solamente en un centro de servicio autorizado por hitachi.

### 5. Reemplazo del cable de alimentación

Si el cable de alimentación de la herramienta está dañado, envíe la herramienta al Centro de Servicio Autorizado de Hitachi para que le cambien el cable de alimentación.

### 6. Lista de repuestos

- A: N°. ítem  
B: N°. código  
C: N°. usado  
D: Observaciones

### PRECAUCIÓN

La reparación, modificación e inspección de las herramientas eléctricas Hitachi deben ser realizadas por un Centro de Servicio Autorizado de Hitachi.

Esta lista de repuestos será de utilidad si es presentada junto con la herramienta al Centro de Servicio Autorizado de Hitachi, para solicitar la reparación o cualquier otro tipo de mantenimiento.

En el manejo y el mantenimiento de las herramientas eléctricas, se deberán observar las normas y reglamentos vigentes en cada país.

### MODIFICACIONES

Hitachi Power Tools introduce constantemente mejoras y modificaciones para incorporar los últimos avances tecnológicos.

Por consiguiente, algunas partes (por ejemplo, números de códigos y/o diseño) pueden ser modificadas sin previo aviso.

---

### NOTA

Debido al programa continuo de investigación y desarrollo de HITACHI estas especificaciones están sujetas a cambio sin previo aviso.

---

### Información sobre el ruido propagado por el aire y vibración

Los valores medidos se determinaron de acuerdo con EN60745 declararon de conformidad con ISO 4871.

### DH24PB3/DH24PC3

Nivel de potencia auditiva ponderada A: 106 dB(A)

Nivel de presión auditiva ponderada A: 93 dB(A)

Duda KpA: 3 dB(A)

Utilice protectores para los oídos.

Valor medio cuadrático ponderado típico de aceleración:

8,6 m/s<sup>2</sup> (DH24PB3).

8,5 m/s<sup>2</sup> (DH24PC3).

---



## AVISOS GERAIS DE SEGURANÇA PARA A FERRAMENTA ELÉCTRICA

### ⚠ AVISO

Leia todas as instruções e avisos de segurança.

Se não seguir todas as instruções e os avisos, pode provocar um choque eléctrico, incêndio e/ou ferimentos graves.

Guarde todos os avisos e instruções para referência futura. O termo “ferramenta eléctrica” em todos os avisos refere-se à sua ferramenta ligada à corrente (com fios) ou à ferramenta eléctrica a baterias (sem fios).

#### 1) Segurança da área de trabalho

- a) Mantenha a área de trabalho limpa e bem iluminada.

*As áreas escuras ou cheias de material são propícias aos acidentes.*

- b) Não trabalhe com ferramentas eléctricas em ambientes explosivos, tais como na presença de líquidos inflamáveis, gases ou pó.

*As ferramentas eléctricas criam faíscas que podem inflamar o pó dos fumos.*

- c) Mantenha as crianças e outras pessoas afastadas quando trabalhar com uma ferramenta eléctrica.

*As distrações podem fazer com que perca controlo.*

#### 2) Segurança eléctrica

- a) As fichas da ferramenta eléctrica devem corresponder às tomadas.

*Nunca modifique a ficha.*

**Não utilize fichas adaptadoras com ferramentas eléctricas ligadas à terra.**

*As fichas não modificadas e tomadas correspondentes reduzirão o risco de choques eléctricos.*

- b) Evite contacto corporal com superfícies ligadas à terra, tais como tubos, radiadores, máquinas e frigoríficos.

*Existe um risco acrescido de choque eléctrico se o seu corpo estiver ligado à terra.*

- c) Não exponha ferramentas eléctricas à chuva ou condições de humidade.

*A entrada de água numa ferramenta eléctrica aumentará o risco de choques eléctricos.*

- d) Não abuse do fio. Nunca utilize o fio para transportar, puxar ou desligar a ferramenta eléctrica.

**Mantenha o fio afastado do calor, óleo, margens afiadas ou peças em movimento.**

*Os fios danificados ou entrelaçados podem aumentar o risco de choques eléctricos.*

- e) Quando trabalhar com uma ferramenta eléctrica no exterior, utilize uma extensão adequada para utilização exterior.

*A utilização de um fio adequado para utilização no exterior reduz o risco de choques eléctricos.*

- f) Se não for possível evitar a utilização de uma máquina eléctrica num local húmido, utilize uma fonte de alimentação protegida por um dispositivo de corrente residual (RCD).

*A utilização de um RCD reduz o risco de choque eléctrico.*

#### 3) Segurança pessoal

- a) Mantenha-se alerta, esteja atento ao que está a fazer e utilize senso comum quando trabalhar com uma ferramenta eléctrica.

**Não utilize uma ferramenta eléctrica quando estiver cansado ou sob a influência de drogas, álcool ou medicamentos.**

*Um momento de desatenção enquanto trabalha com ferramentas eléctricas pode resultar em ferimentos pessoais graves.*

- b) **Utilize equipamento de protecção pessoal. Utilize sempre protecção para os olhos.**

*O equipamento de protecção, tal como uma máscara de pó, sapatos de segurança anti-derrapantes, chapéu rígido ou protecção auricular utilizados para condições adequadas reduzirá os ferimentos pessoais.*

- c) **Evite ligar por acidente. Certifique-se de que o interruptor está na posição de desligado antes de ligar a fonte de alimentação e/ou bateria, levantar ou transportar a ferramenta.**

*Transportar ferramentas eléctricas com o dedo no interruptor ou activar ferramentas que estão com o interruptor ligado é propício a acidentes.*

- d) **Remova qualquer chave de parafusos ou chave-inglesa de regulação antes de ligar a ferramenta.**

*Uma chave-inglesa ou de parafusos ligada à parte rotativa da ferramenta pode provocar ferimentos pessoais.*

- e) **Não se estique. Mantenha sempre o controlo e equilíbrio adequados.**

*Isto permite obter um melhor controlo da ferramenta em situações inesperadas.*

- f) **Use vestuário adequado. Não use roupas largas ou jóias. Mantenha o cabelo, roupas e luvas afastados das peças móveis.**

*As roupas largas, jóias ou cabelo comprido podem ser apanhados em peças móveis.*

- g) **Se forem fornecidos dispositivos para a ligação de extractores de pó e dispositivos de recolha, certifique-se de que estes estão ligados e são utilizados adequadamente.**

*A utilização de uma recolha de pó pode reduzir os perigos relacionados com o pó.*

#### 4) Utilização da ferramenta e manutenção

- a) **Não force a ferramenta eléctrica. Utilize a ferramenta correcta para a sua aplicação.**

*A ferramenta correcta fará o trabalho melhor e com mais segurança à velocidade para a qual foi concebida.*

- b) **Não utilize a ferramenta eléctrica se o interruptor não a ligar ou desligar.**

*Qualquer ferramenta que não possa ser controlada com o interruptor é perigosa e deve ser reparada.*

- c) **Desligue a ficha da rede antes e/ou a bateria da ferramenta eléctrica antes de efectuar quaisquer regulações, mudar os acessórios ou guardar ferramentas eléctricas.**

*Tais medidas de segurança de prevenção reduzem o risco de ligar a ferramenta eléctrica acidentalmente.*

- d) **Guarde as ferramentas eléctricas fora do alcance de crianças e não permita que pessoas não habituadas à ferramenta eléctrica ou estas instruções trabalhem com a ferramenta.**

*As ferramentas eléctricas são perigosas nas mãos de utilizadores inexperientes.*

- e) **Efectue a manutenção de ferramentas eléctricas. Verifique a existência de desalinhamentos ou dobragens das peças móveis, quebras de peças e quaisquer outras condições que possam afectar o funcionamento das ferramentas eléctricas.**

**Se danificada, mande reparar a ferramenta antes de utilizar.**

*Muitos acidentes são causados por ferramentas com má manutenção.*

**f) Mantenha as ferramentas de corte afiadas e limpas.**

*As ferramentas de corte com uma manutenção adequada e extremidades afiadas são menos propensas a dobrar e mais fáceis de controlar.*

**g) Utilize a ferramenta eléctrica, acessórios e pontas de ferramentas, etc., de acordo com estas instruções, tomando em consideração as condições de trabalho e o trabalho a ser efectuado.**  
*A utilização de uma ferramenta eléctrica para operações diferentes das concebidas pode resultar num mau funcionamento.*

**5) Manutenção**

**a) Faça a manutenção da sua ferramenta eléctrica por um pessoal de reparação qualificado e utilize apenas peças de substituição idênticas.**

*Isto garantirá que a segurança da ferramenta eléctrica é mantida.*

**AVISO**

**Mantenha afastadas das crianças e pessoas doentes. Quando não estiverem a ser utilizadas, as ferramentas devem ser guardadas fora do alcance de crianças e pessoas doentes.**

**AVISOS DE SEGURANÇA DO MARTELO PERFURADOR**

**1. Use protectores auditivos**

A exposição ao ruído pode provocar a perda de audição

**2. Utilize as empunhaduras auxiliares fornecidas com a ferramenta.**

A perda de controlo pode provocar lesões.

**3. Não toque o palhetão durante ou imediatamente depois da operação. O palhetão fica muito quente durante a operação e pode causar graves queimaduras.**

**4. Antes de começar a quebrar, cortar ou furar paredes, chão ou teto, verifique minuciosamente se não existem cabos eléctricos ou condutos embutidos nesses locais.**

**5. Segure sempre com firmeza as empunhaduras do corpo e lateral da ferramenta eléctrica. Se isto não for feito, a força contrária produzida pode resultar numa operação imprecisa e até mesmo perigosa.**

**6. Use uma máscara de poeira**

Não inale as poeiras nocivas produzidas nos trabalhos de perfuração e burilagem. As poeiras podem pôr em perigo a sua saúde e a dos que o rodeiam.

**ESPECIFICAÇÕES**

Modelo	DH24PB3	DH24PC3
Voltagem (por áreas)*	(110V, 115V, 120V, 127V, 220V, 230V, 240V) ~	
Potência de entrada	800W*	
Rotação sem carga	0 – 1050 min <sup>-1</sup>	0 – 1150 min <sup>-1</sup>
Taxa de impacto com carga completa	0 – 4600 min <sup>-1</sup>	
Capacidade: concreto	3,4 – 24 mm	
aço	13 mm	
madeira	32 mm	
Peso (sem fio nem empunhadura lateral)	2,3 kg	2,4 kg

\* Não deixe de verificar a voltagem na placa identificadora constante do produto, pois ela está sujeita a mudanças conforme a área.

**ACESSÓRIOS-PADRÃO**

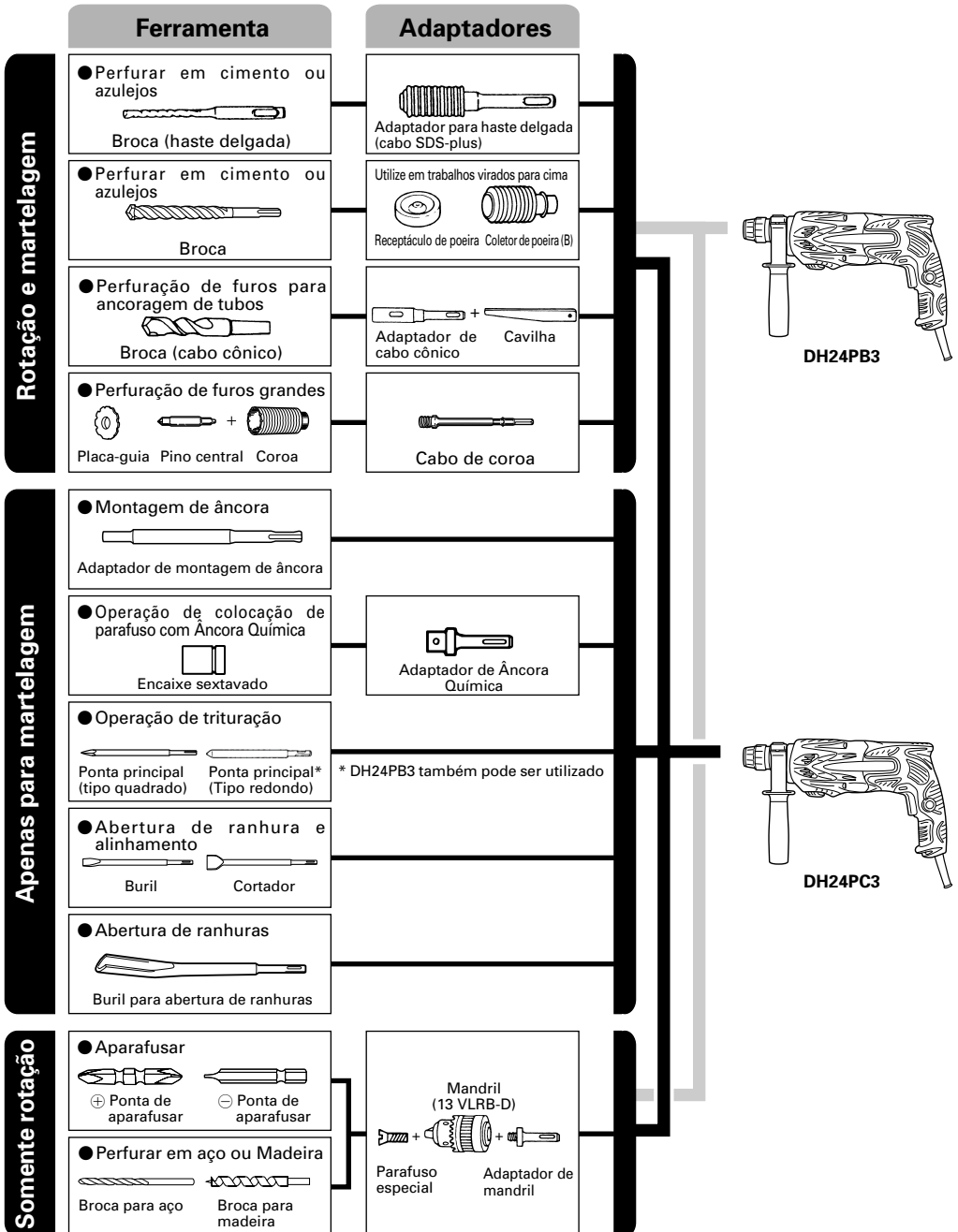
(1) Estojo de plástico ..... 1

(2) Empunhadura lateral ..... 1

(3) Sonda ..... 1

Os acessórios-padrão estão sujeitos a mudanças sem aviso prévio.

**ACESSÓRIOS OPCIONAIS (vendidos separadamente)**



● Perfurar em cimento ou azulejos

Broca (haste delgada)		
Dia. exterior	Comprimento total	Comprimento efetivo
3,4 mm	90 mm	45 mm
3,5 mm		

Broca SDS-plus		
Dia. exterior	Comprimento total	Comprimento efetivo
4,0 mm	110 mm	50 mm
5,0 mm	110 mm	50 mm
	160 mm	100 mm
5,5 mm	110 mm	50 mm
6,5 mm	160 mm	100 mm
7,0 mm	160 mm	100 mm
8,0 mm	160 mm	100 mm
8,5 mm	160 mm	100 mm
9,0 mm	160 mm	100 mm
12,0 mm	166 mm	100 mm
	260 mm	200 mm
12,7 mm	166 mm	100 mm
14,0 mm	166 mm	100 mm
15,0 mm	166 mm	100 mm
16,0 mm	166 mm	100 mm
	260 mm	200 mm
17,0 mm	166 mm	100 mm
19,0 mm	260 mm	200 mm
20,0 mm	250 mm	200 mm
22,0 mm	250 mm	200 mm
25,0 mm	450 mm	400 mm
30,0 mm	450 mm	400 mm

● Perfuração de furos para ancoragem de tubos

Adaptador de cabo cônico
Modo cônico
Mordente cônico (Nº 1)
Mordente cônico (Nº 2)
Cone A
Cone B

Os acessórios opcionais estão sujeitos a mudanças sem aviso prévio.

● Perfuração de furos grandes

Coroa Dia. exterior	Pino central	Cabo de coroa Comprimento total
25 mm*	Não aplicável	105 mm 300 mm
29 mm*		
32 mm	(A)	
35 mm		
38 mm	(B)	300 mm
45 mm		
50 mm		

\* Sem chapa-guia

● Montagem de âncora

Adaptador de montagem de âncora Tamanho da âncora
W 1/4"
W 5/16"
W 3/8"
W 1/2"
W 5/8"

## APLICAÇÕES

(DH24PB3 • DH24PC3)

Função de rotação e martelagem

- Fazer furos ancorados
- Fazer furos em concreto
- Fazer furos em azulejo

Função de rotação apenas

- Perfurar em aço ou madeira (com acessórios opcionais)
- Apertar parafusos para metal, parafusos de madeira (com acessórios opcionais)

(Somente DH24PC3)

Função apenas para martelagem

- Burilamento leve de cimento, cavamento da ranhura e alinhamento.

## ANTES DA OPERAÇÃO

### 1. Fonte de energia

Certifique-se de que a fonte de energia a ser utilizada está conforme às exigências especificadas na placa identificadora do produto.

### 2. Interruptor

Certifique-se de que o interruptor está na posição desligada. Se o plugue estiver conectado a um receptáculo quando o interruptor estiver ligado, a ferramenta elétrica vai começar a operar imediatamente, podendo provocar um grave acidente.

### 3. Cabo de extensão

Quando o local de trabalho não possuir uma fonte de energia, utilize um cabo de extensão de espessura e de potência nominal suficientes. A extensão deve ser mantida tão curta quanto possível.

### 4. Montagem da broca (Fig. 1)

#### CUIDADO

Para evitar acidentes, certifique-se de desligar o comutador e desconectar o plugue da tomada.

#### NOTA

Ao utilizar ferramentas como pontas macho, brocas, etc., certifique-se de usar peças genuínas indicadas por nossa empresa.

- (1) Limpe a parte da haste da broca.
  - (2) Insira a broca enroscando-a no encaixe da ferramenta até que ela se trave sozinha (Fig. 1).
  - (3) Verifique se a broca está travada puxando-a para fora.
  - (4) Para retirar a broca, puxe completamente a garra na direção da seta e puxe a broca para fora (Fig. 2).
- 5. Instalação do receptáculo de poeira ou do coletor de poeira (B) (Acessórios opcionais) (Fig. 3, Fig. 4)**

Para uma operação mais fácil, ao utilizar um martelo perfurador para fazer furos para cima, prenda um receptáculo de poeira ou um coletor de poeira (B) para recolher a poeira ou partículas que se soltam durante a operação.

- Instalação do receptáculo de poeira  
Use o receptáculo de poeira prendendo-o à broca, como mostra a Fig. 3.  
Ao utilizar uma broca que possua um diâmetro grande, aumente o furo do centro do receptáculo de poeira com este martelo perfurador.
- Instalação do coletor de poeira (B)  
Ao utilizar o coletor de poeira (B), insira-o a partir da ponta da broca alinhando-o com a ranhura da garra (Fig. 4).

## CUIDADO

- O receptáculo de poeira e o coletor de poeira (B) são para uso exclusivo de trabalho de perfuração no concreto. Não os utilize para trabalhos de perfuração em madeira ou em metal.
- Insira o coletor de poeira (B) completamente no mandril do aparelho principal.
- Ao ligar o martelo perfurador enquanto o coletor de poeira (B) estiver separado de uma superfície de concreto, esse coletor de poeira (B) vai girar junto com a broca. Certifique-se de ligar o interruptor depois de pressionar o receptáculo de poeira na superfície de concreto. (Ao utilizar o coletor de poeira (B) preso a uma broca que possui mais de 190 mm de comprimento total, o coletor de poeira (B) não pode tocar a superfície de concreto e vai girar. Portanto, utilize o coletor de poeira (B) prendendo-o às brocas de comprimento total de 166 mm, 160 mm e 110 mm.)
- Jogue fora as partículas depois de dois ou três furos perfurados.
- Substitua a broca depois de retirar o coletor de poeira (B).

### 6. Seleção do palhetão

As cabeças de parafusos ou os palhetões podem se danificar se uma broca não apropriada para o diâmetro do parafuso for utilizada para o trabalho de apertar os parafusos.

### 7. Confirme a direção da rotação do palhetão (Fig. 5)

A broca gira no sentido horário (vista a partir do lado de trás) ao se apertar o lado direito (R) da tecla. Aperta-se o lado esquerdo (L) da tecla para fazer com que a broca gire no sentido anti-horário.

## MODO DE USAR

### CUIDADO

Para evitar acidentes, certifique-se de desligar a máquina e desconectar o plugue da tomada para instalar ou retirar as brocas e outras peças. O interruptor também deve estar desligado durante a execução de um trabalho de quebra e depois de qualquer trabalho.

#### 1. Operação do interruptor

A velocidade de rotação da broca pode ser controlada sem etapas intermediárias variando-se a intensidade de aperto do gatilho do interruptor. A velocidade é baixa quando se aperta ligeiramente o gatilho e aumenta na medida em que o interruptor for sendo mais apertado. Consegue-se uma operação contínua ao se apertar o gatilho e pressionar a alavanca de parada. Para desligar o interruptor, aperte novamente o gatilho do interruptor para desengrenar a alavanca de parada e solte o gatilho para que ele volte à posição original.

Contudo, o gatilho do interruptor só pode ser premido até meio em modo reverso e roda a meia velocidade em modo avanço.

O interruptor de parada não funciona no modo reverso.

#### 2. Rotação e martelagem

Este martelo perfurador pode ser ajustado para o modo de rotação e martelagem pressionando-se o botão e girando a alavanca de mudança até a marca **T** (Fig. 6 ou Fig. 7).


- (1) Monte a broca.
- (2) Aperte o gatilho do interruptor depois de aplicar a ponta da broca na posição de perfuração (Fig. 8).

- (3) Não é necessário de jeito nenhum empurrar o martelo perfurador com força. Basta empurrá-lo ligeiramente de maneira que a poeira da perfuração saia gradualmente.

## **CUIDADO**

Quando a broca toca a barra de ferro da construção, ela pára imediatamente e o martelo perfurador reagirá tendo um movimento de rotação. Portanto, segure com firmeza a empunhadura e a empunhadura lateral, como mostra a **Fig. 8**.

## **3. Somente rotação**

Este martelo perfurador pode ser ajustado para o modo de somente rotação pressionando-se o seletor e girando a alavanca de mudança até a marca  (**Fig. 9** ou **Fig. 10**). Para perfurar materiais de madeira ou de metal usando o mandril e o adaptador de mandril (acessórios opcionais) faça como se segue. Instalação do mandril e do adaptador de mandril (**Fig. 11**).

- (1) Prenda o mandril ao adaptador de mandril.  
(2) A parte do cabo SDS-plus é a mesma da broca. Para prender o mandril, siga os mesmos passos descritos em “Montagem da broca”.

## **CUIDADO**

- A aplicação de força maior que a necessária pode apressar o trabalho, mas também vai deteriorar a ponta da broca, além de reduzir a vida útil do martelo perfurador.
- As brocas podem se romper ao se retirar o martelo perfurador do orifício perfurado. Na retirada, é importante fazer um movimento de empurrar.
- Não tente fazer orifícios de ancoragem de cabos ou furos no concreto com a máquina ajustada para a função de somente rotação.
- Não tente utilizar o martelo perfurador na função de rotação e martelada com o mandril e o adaptador de mandril instalados nela, do contrário a vida útil da cada um dos componentes da máquina se reduzirá drasticamente.

## **4. Ao apertar parafusos de máquina (Fig. 12)**

Insira primeiro o palhetão no suporte situado no fim do adaptador de mandril (D).

Depois, monte o adaptador de mandril (D) no corpo principal seguindo as instruções descritas em 4 (1), (2), (3). Ponha a ponta do palhetão nas fendas da cabeça do parafuso, segure o aparelho principal e aperte o parafuso.

## **CUIDADO**

- Preste atenção para não prolongar excessivamente o tempo de aparafusamento, do contrário os parafusos podem ficar danificados devido à força excessiva.
- Ao aparafusar, aplique o martelo perfurador perpendicularmente à cabeça do parafuso, do contrário, a cabeça do parafuso ou o palhetão serão danificados, ou a força motriz não será completamente transferida para o parafuso.
- Não tente utilizar o martelo perfurador na função de rotação e martelada com o adaptador de mandril e o palhetão instalados.

## **5. Ao apertar parafusos de madeira (Fig. 12)**

- (1) Seleção de um palhetão de fenda apropriado  
Se possível, use parafusos de cabeça Philips já que o palhetão de fenda escorrega facilmente para fora das cabeças dos parafusos que só tem uma fenda.

- (2) Aperto de parafusos na madeira


○ Antes de apertar os parafusos na madeira, faça orifícios-pilotos apropriados para eles na tábua de madeira. Aplique o palhetão nas ranhuras da cabeça do parafuso e aperte cuidadosamente os parafusos nos orifícios.




○ Depois de girar o martelo perfurador em baixa velocidade por um tempo até que o parafuso esteja parcialmente preso à madeira, aperte o gatilho com mais força para obter a força motriz ótima.

## **CUIDADO**

Preste atenção ao preparar o orifício-piloto apropriado para o parafuso, levando em consideração a dureza da madeira. Se o orifício for excessivamente pequeno ou raso demais, requerendo muito mais força para aparafusar, a rosca desse parafuso poderá em alguns casos se danificar.

## **6. Apenas para martelagem (somente DH24PC3)**

Este martelo de perfuração pode ser regulado apenas para o modo de martelagem premindo o botão de pressão e rodando o selector para a marca  (**Fig. 13**).

- (1) Monte a ponta principal ou o buril.  
(2) Prima o botão de pressão e coloque o selector para a marca do meio da marca  e  (**Fig. 14**).  
A rotação é libertada, rode o mordente e ajuste o buril para a posição pretendida (**Fig. 15**).  
(3) Rode o selector para a marca  (**Fig. 13**).  
Agora a ponta principal ou o buril estão fixos.

## **7. Utilização de sonda (Fig. 16)**

- (1) Afrouxe o botão da empunhadura lateral e insira a sonda no orifício de montagem do cabo.  
(2) Ajuste a posição da sonda de acordo com a profundidade do orifício e aperte firmemente o botão.

## **8. Como usar o palhetão (cabo cônico) e o adaptador de cabo cônico.**

- (1) Monte o adaptador de cabo cônico no martelo perfurador (**Fig. 17**).  
(2) Monte o palhetão (cabo cônico) no adaptador de cabo cônico (**Fig. 17**).  
(3) Ligue a máquina e faça um furo na profundidade prescrita.  
(4) Para retirar o palhetão (cabo cônico), insira a cavilha na ranhura do adaptador de cabo cônico e martele a cabeça da cavilha, apoiada em suportes (**Fig. 18**).

## **MODO DE USAR A COROA (PARA CARGA LEVE)**

Quando a perfuração penetra em grandes orifícios utilize a coroa (para cargas leves). Nesse momento, utilize com o pino central e o cabo de coroa fornecidos como acessórios adicionais.

### **1. Montagem**

#### **CUIDADO**

Certifique-se de desligar a máquina e desconectar o plugue da tomada.

- (1) Monte a coroa no cabo da coroa (**Fig. 19**).  
Lubrifique a rosca do cabo da coroa para facilitar a desmontagem.  
(2) Monte a coroa no martelo perfurador (**Fig. 20**).  
(3) Insira o pino central na placa-guia até que ele pare.  
(4) Engrene a placa-guia com a coroa. Gire a placa-guia para a esquerda ou para a direita de maneira que ela não caia mesmo se estiver virada para baixo (**Fig. 21**).

**2. Como fazer furos (Fig. 22)**

- (1) Conecte o plugue na tomada elétrica.
- (2) Há uma mola instalada no pino central.  
Empurre-o um pouco diretamente na parede ou no chão.  
Conecte a ponta da coroa nivelada à superfície e comece a operação.
- (3) Ao perfurar cerca de 5 mm de profundidade a posição do furo estará estabelecida. Faça o furo depois de retirar o pino central e a placa-guia da coroa.
- (4) A aplicação de força maior que a necessária pode apressar o trabalho, mas também vai deteriorar a ponta da broca, além de reduzir a vida útil do martelo perfurador.

**CUIDADO**

Ao retirar o pino central e a placa-guia, desligue o interruptor e desconecte o plugue da tomada.

**3. Desmontagem (Fig. 23)**

Retire o cabo de coroa do martelo perfurador e martele duas ou três vezes com força a cabeça do cabo de coroa segurando a coroa. A rosca, então, se afrouxa e a coroa pode ser retirada.

**LUBRIFICAÇÃO**

Este martelo perfurador utiliza lubrificante de baixa viscosidade, de maneira que possa ser usado por um longo período de tempo sem ser trocado. Caso haja vazamento causado por um parafuso frouxo, entre em contato com a oficina de assistência técnica autorizada mais próxima para troca de lubrificante.

Utilizar o martelo perfurador com perda de lubrificante provocará emperramento da máquina, reduzindo sua vida útil.

**CUIDADO**

Esta máquina utiliza um lubrificante especial. Seu desempenho pode, portanto, ser afetado negativamente com o uso de outro tipo de lubrificante. Não deixe de fazer a troca de lubrificante numa oficina autorizada.

**MANUTENÇÃO E INSPEÇÃO****1. Inspeção dos palhetões**

Como o uso de uma ferramenta cega provocará defeitos no motor e uma eficiência menor, substitua o palhetão por um novo ou mande afiá-lo sem demora quando notar o desgaste.

**2. Inspeção dos parafusos de montagem**

Inspeccione regularmente todos os parafusos de montagem e se certifique de que estão corretamente apertados. Se algum deles estiver frouxo, reaperte-o imediatamente. Caso isso não seja feito, pode resultar em perigo grave.

**3. Manutenção do motor**

A unidade de enrolamento do motor é o verdadeiro “coração” da ferramenta elétrica. Cuide bem para assegurar que o enrolamento não se danifique e/ou se molhe com óleo ou água.

**4. Inspeção das escovas de carvão**

Para sua segurança duradoura e proteção contra choques elétricos, a inspeção das escovas de carvão e a substituição delas nesta ferramenta deve ser feita apenas numa Oficina Autorizada da Hitachi.

**5. Substituição do cabo de alimentação**

Se o cabo de alimentação estiver danificado, a Ferramenta deve ser levada à Oficina Autorizada da Hitachi para substituição do mesmo.

**6. Lista de peças para conserto**

- A: Item N°
- B: Código N°
- C: N° Usado
- D: Observações

**CUIDADO**

Consertos, modificações e inspeção de Ferramentas Elétricas da Hitachi devem ser realizados por uma Oficina Autorizada da Hitachi.

Esta lista de peças pode ser útil se apresentada com a ferramenta na Oficina Autorizada da Hitachi ao solicitar conserto ou manutenção.

Na operação e na manutenção das ferramentas elétricas, devem-se observar as normas de segurança e os padrões prescritos por cada país.

**MODIFICAÇÃO**

As Ferramentas Elétricas da Hitachi estão sempre sendo aperfeiçoadas e modificadas para incorporar os mais recentes avanços tecnológicos.

Dessa forma, algumas peças (isto é, números de código e/ou design) podem mudar sem aviso prévio.

**NOTA**

Devido ao contínuo programa de pesquisa e desenvolvimento da HITACHI, as especificações aqui contidas estão sujeitas a mudanças sem aviso prévio.

**Informação a respeito de ruídos e vibração do ar**

Os valores medidos foram determinados de acordo com a EN60745 e declarados em conformidade com a ISO 4871.

**DH24PB3/DH24PC3**

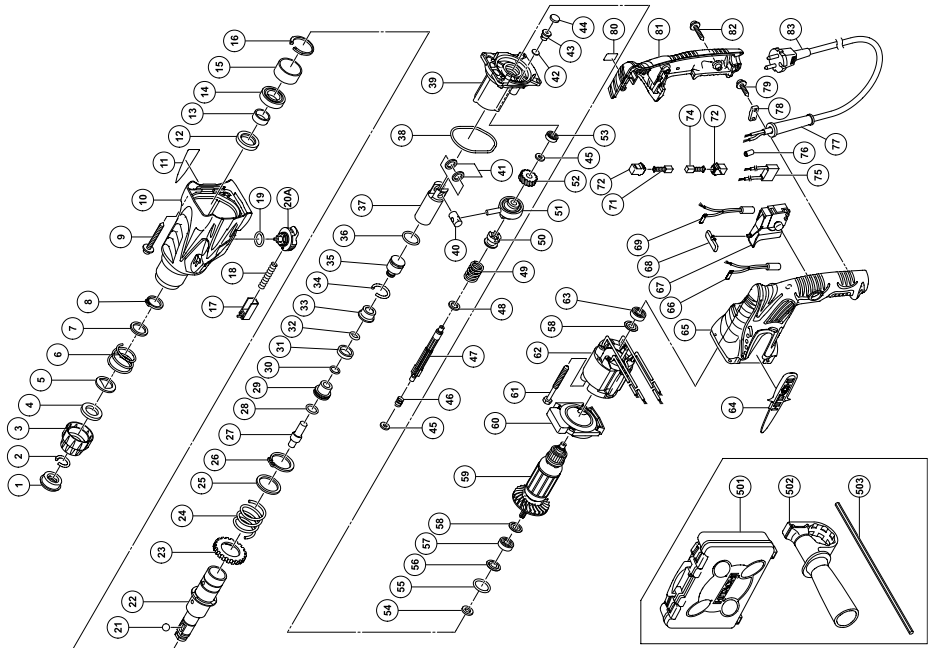
Nível de potência sonora ponderada A medida: 106 dB (A)

Nível de pressão sonora ponderada A medida: 93 dB (A)  
Imprecisão KpA: 3 dB (A)

Use protetores de ouvido.

Valor típico da aceleração média ponderada da raiz quadrada: 8,6 m/s<sup>2</sup> (DH24PB3).  
8,5 m/s<sup>2</sup> (DH24PC3).

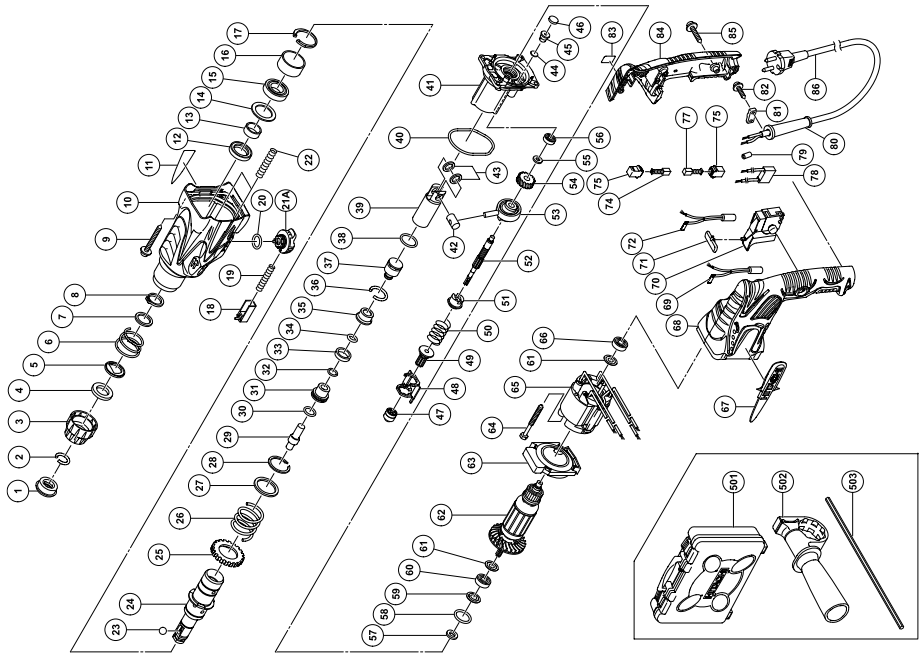
# DH24PB3



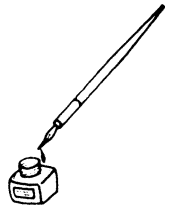
A	B	C	D	A	B	C	D
1	306345	1		47	322794	1	
2	306340	1		48	301659	1	
3	324527	1		49	301660	1	
4	324528	1		50	324532	1	
5	324526	1		51	324533	1	
6	322812	1		52	322797	1	
7	984118	1		53	626VVVM	1	626VVC2PS2L
8	939547	1		54	322816	1	
9	301654	4	D5x35	55	876796	1	P-22
10	324546	1		56	608DDM	1	608DDC2PS2L
11	307688	1		57	608DDM	1	
12	322815	1		58	982631	2	
13	307688	1		59-1	360720U	1	110V-120V "57, 58, 63"
14	6904DD	1	6904DFPS2L	59-2	360720E	1	220V-230V
15	324522	1		59-3	360720F	1	240V
16	322813	1		60	324531	1	
17	324530	1		61	961672	2	D4x50
18	317223	1	S-18	62-1	340635C	1	110V-120V
19	878885	1		62-2	340635E	1	220V-230V
20A	324951	1	D7.0	62-3	340635F	1	240V
21	959156	1		63	608VVVM	1	608VVC2PS2L
22	322814	1		64	324539	1	
23	301677	1		65	324553	1	
24	301678	1		66-1	324549	1	"GBR (110V)"
25	301679	1		66-2	324550	1	
26	948310	1		67	324536	1	
27	324525	1	1AP-20	68	322853	1	
28	944486	1		69-1	324551	1	
29	324523	1		69-2	324552	1	"GBR (110V)"
30	322802	1		71	999041	1	
31	322805	1		72	955203	2	
32	322808	1		74	999072	1	
33	324524	1		75	930039	1	
34	322807	1		76	981373	2	
35	324535	1		77-1	953327	1	D8.8
36	322834	1	I.D. 16	77-2	938051	1	D10.1
37	324534	1	I.D. 66.5	78	937631	1	
38	322793	1	"42x44"	79	984750	2	D4x16
39	324542	1		80	---	1	
40	322798	1		81	324554	1	
41	322799	2		82	301653	3	D4x20
42	324543	1		83	---	1	
43	324545	1		501	324555	1	
44	324544	1		502	324548	1	
45	322795	2		503	303709	1	
46	322796	1					



# DH24PC3



A	B	C	D	A	B	C	D
1	306-345	1		49	323-181	1	
2	306-340	1		50	323-182	1	
3	324-527	1		51	324-606	1	
4	324-528	1		52	323-180	1	
5	324-526	1		53	324-533	1	
6	322-812	1		54	322-797	1	
7	984-118	1		55	322-795	1	
8	939-547	1		56	626-VVM	1	626VVC2PS2L
9	301-654	4	D5x35 "47"	57	322-816	1	
10	324-605	1		58	876-796	1	P-22
11		1		59	322-818	1	
12	307-688	1		60	608-DDIM	1	608DDC2PS2L
13	322-815	1		61	982-631	2	"110V-120V "60, 61, 66" 220V-230V 240V
14	323-232	1		62-1	360-720U	1	
15	690-4DD	1	6904DDPS2L	62-2	360-720E	1	
16	324-522	1		62-3	360-720F	1	
17	322-813	1		63	324-531	1	
18	324-530	1		64	961-672	2	D4X50
19	317-223	1		65-1	340-635C	1	110V-120V
20	878-885	1	S-18	65-2	340-635E	1	220V-230V
21A	325-059	1		65-3	340-635F	1	240V
22	317-238	2		66	608-VVM	1	608VVC2PS2L
23	959-156	1	D7.0	67	324-604	1	
24	323-184	1		68	324-553	1	
25	323-185	1		69-1	324-549	1	
26	317-233	1		69-2	324-550	1	"GBR (110V)"
27	317-234	1		70	324-536	1	
28	317-235	1		71	322-853	1	
29	324-525	1		72-1	324-551	1	"GBR (110V)"
30	944-486	1	1AP-20	72-2	324-552	1	
31	324-523	1		74	999-041	1	
32	322-802	1		75	955-203	2	
33	322-805	1		77	989-072	1	
34	322-808	1		78	984-273	1	
35	324-524	1		79	981-373	2	
36	322-807	1		80-1	953-327	1	D8.8
37	324-535	1		80-2	938-051	1	D10.1
38	322-834	1	I.D. 16	81	937-631	1	
39	324-534	1		82	984-750	2	D4x16
40	322-793	1	I.D. 66.5 "44-46"	83		1	
41	324-542	1		84	324-554	1	
42	322-798	1		85	301-653	3	D4x20
43	322-799	2		86		1	
44	324-543	1		501	324-555	1	
45	324-545	1		502	324-548	1	
46	324-544	1		503	303-709	1	
47	323-249	1					
48	318-522	1					

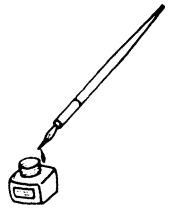


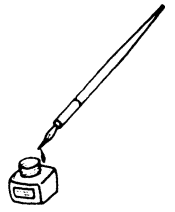
<p>English</p> <p><b><u>GUARANTEE CERTIFICATE</u></b></p> <p>① Model No.  ② Serial No.  ③ Date of Purchase  ④ Customer Name and Address  ⑤ Dealer Name and Address  (Please stamp dealer name and address)</p>	<p>Nederlands</p> <p><b><u>GARANTIEBEWIJS</u></b></p> <p>① Modelnummer  ② Serienummer  ③ Datum van aankoop  ④ Naam en adres van de gebruiker  ⑤ Naam en adres van de handelaar  (Stempel a.u.b. naam en adres vande de handelaar)</p>
<p>Deutsch</p> <p><b><u>GARANTIESCHEIN</u></b></p> <p>① Modell-Nr.  ② Serien-Nr.  ③ Kaufdatum  ④ Name und Anschrift des Kunden  ⑤ Name und Anschrift des Händlers  (Bitte mit Namen und Anschrift des Handlers abstempeln)</p>	<p>Español</p> <p><b><u>CERTIFICADO DE GARANTIA</u></b></p> <p>① Número de modelo  ② Número de serie  ③ Fecha de adquisición  ④ Nombre y dirección del cliente  ⑤ Nombre y dirección del distribuidor  (Se ruega poner el sellú del distribuidor con su nombre y dirección)</p>
<p>Français</p> <p><b><u>CERTIFICAT DE GARANTIE</u></b></p> <p>① No. de modèle  ② No de série  ③ Date d'achat  ④ Nom et adresse du client  ⑤ Nom et adresse du revendeur  (Cachet portant le nom et l'adresse du revendeur)</p>	<p>Português</p> <p><b><u>CERTIFICADO DE GARANTIA</u></b></p> <p>① Número do modelo  ② Número do série  ③ Data de compra  ④ Nome e morada do cliente  ⑤ Nome e morada do distribuidor  (Por favor, carimbe o nome e morada do distribuidor)</p>
<p>Italiano</p> <p><b><u>CERTIFICATO DI GARANZIA</u></b></p> <p>① Modello  ② N° di serie  ③ Data di acquisto  ④ Nome e indirizzo dell'acquirente  ⑤ Nome e indirizzo del rivenditore  (Si prega di apporre il timbro con questi dati)</p>	

# HITACHI

①	
②	
③	
④	
⑤	







## **Hitachi Power Tools Europe GmbH**

Siemensring 34, 47877 Willich 1, F. R. Germany  
Tel: +49 2154 49930  
Fax: +49 2154 499350  
URL: <http://www.hitachi-powertools.de>

## **Hitachi Power Tools Netherlands B. V.**

Brabanthaven 11, 3433 PJ Nieuwegein, The Netherlands  
Tel: +31 30 6084040  
Fax: +31 30 6067266  
URL: <http://www.hitachi-powertools.nl>

## **Hitachi Power Tools (U. K.) Ltd.**

Precedent Drive, Rooksley, Milton Keynes, MK 13, 8PJ, United Kingdom  
Tel: +44 1908 660663  
Fax: +44 1908 606642  
URL: <http://www.hitachi-powertools.co.uk>

## **Hitachi Power Tools France S. A. S.**

Prac del' Eglantier 22, rue des Crerisiers Lisses, C. E. 1541,  
91015 EVRY CEDEX, France  
Tel: +33 1 69474949  
Fax: +33 1 60861416  
URL: <http://www.hitachi-powertools.fr>

## **Hitachi Power Tools Belgium N.V. / S.A.**

Koningin Astridlaan 51, 1780 Wommel, Belgium  
Tel: +32 2 460 1720  
Fax: +32 2 460 2542  
URL <http://www.hitachi-powertools.be>

## **Hitachi Fercad Power Tools Italia S.p.A**

Via Retrone 49-36077, Altavilla Vicentina (VI), Italy  
Tel: +39 0444 548111  
Fax: +39 0444 548110  
URL: <http://www.hitachi-powertools.it>

## **Hitachi Power Tools Iberica, S.A.**

C / Migjorn, s/n, Poligono Norte, 08226 Terrassa, Barcelona, Spain  
Tel: +34 93 735 6722  
Fax: +34 93 735 7442  
URL: <http://www.hitachi-powertools.es>

## **Hitachi Power Tools Österreich GmbH**

Str. 7, Objekt 58/A6, Industriezentrum NÖ –Süd 2355  
Wiener Neudorf, Austria  
Tel: +43 2236 64673/5  
Fax: +43 2236 63373

<p>English</p> <p><b>EC DECLARATION OF CONFORMITY</b></p> <p>We declare under our sole responsibility that this product is in conformity with standards or standardized documents EN60745, EN55014 and EN61000 in accordance with Council Directives 2004/108/EC and 98/37/EC.</p> <p>This declaration is applicable to the product affixed CE marking.</p>	<p>Nederlands</p> <p><b>EC VERKLARING VAN CONFORMITEIT</b></p> <p>Wij verklaren onder eigen verantwoordelijkheid dat dit produkt conform de richtlijnen of gestandaardiseerde documenten EN60745, EN55014 en EN61000 voldoet aan de eisen van EEG Bepalingen 2004/108/EC en 98/37/EC.</p> <p>Deze verklaring is van toepassing op produkten voorzien van de CE-markeringen.</p>
<p>Deutsch</p> <p><b>ERKLÄRUNG ZUR KONFORMITÄT MIT CE-REGELN</b></p> <p>Wir erklären mit alleiniger Verantwortung, daß dieses Produkt den Standards oder standardisierten Dokumenten EN60745, EN55014 und EN61000 in Übereinstimmung mit den Direktiven des Europarats 2004/108/CE und 98/37/CE entspricht.</p> <p>Diese Erklärung gilt für Produkte, die die CE-Markierung tragen.</p>	<p>Español</p> <p><b>DECLARACIÓN DE CONFORMIDAD DE LA CE</b></p> <p>Declaramos bajo nuestra única responsabilidad que este producto está de acuerdo con las normas o con los documentos de normalización EN60745, EN55014 y EN61000, según indican las Directrices del Consejo 2004/108/CE y 98/37/CE.</p> <p>Esta declaración se aplica a los productos con marcas de la CE.</p>
<p>Français</p> <p><b>DECLARATION DE CONFORMITE CE</b></p> <p>Nous déclarons sous notre seule et entière responsabilité que ce produit est conforme aux normes ou documents normalisés EN60745, EN55014 et EN61000 en accord avec les Directives 2004/108/CE et 98/37/CE du Conseil.</p> <p>Cette déclaration s'applique aux produits désignés CE.</p>	<p>Português</p> <p><b>DECLARAÇÃO DE CONFORMIDADE CE</b></p> <p>Declaramos, sob nossa única e inteira responsabilidade, que este produto está de acordo com as normas ou documentos normativos EN60745, EN55014 e EN61000, em conformidade com as Diretrizes 2004/108/CE e 98/37/CE do Conselho.</p> <p>Esta declaração se aplica aos produtos designados CE.</p>
<p>Italiano</p> <p><b>DICHIARAZIONE DI CONFORMITÀ CE</b></p> <p>Si dichiara sotto nostra responsabilità che questo prodotto è conforme agli standard o ai documenti standardizzati EN60745, EN55014 e EN61000 conforme alle direttive 2004/108/CE e 98/37/CE del concilio.</p> <p>Questa dichiarazione è applicabile ai prodotti cui sono applicati i marchi CE.</p>	
<p>Representative office in Europe  <b>Hitachi Power Tools Europe GmbH</b>  Siemensring 34, 47877 Willich 1, F. R. Germany</p> <p>Head office in Japan  <b>Hitachi Koki Co., Ltd.</b>  Shinagawa Intercity Tower A, 15-1, Konan 2-chome,  Minato-ku, Tokyo, Japan</p> <p style="text-align: center;"><b>CE</b></p> <p style="text-align: right;">30. 9. 2008</p> <p style="text-align: right;"><i>K. Kato</i></p> <hr style="width: 20%; margin-left: auto; margin-right: 0;"/> <p style="text-align: right;">K. Kato Board Director</p>	

 **Hitachi Koki Co., Ltd.**

809

Code No. C99139874 N  
Printed in Japan