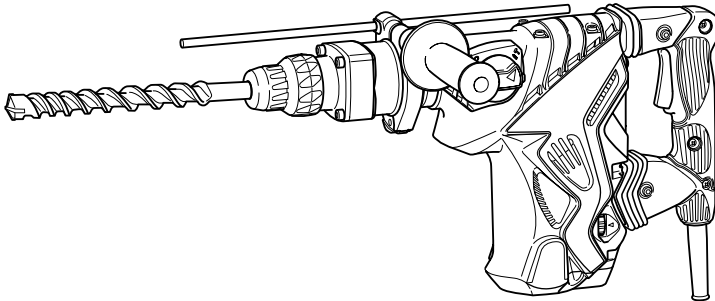


HITACHI

Rotary Hammer
Bohrhammer
Marteau Perforateur
Martello perforatore
Boorhamer
Martillo perforador
Martelo perfurador

DH 40MRY

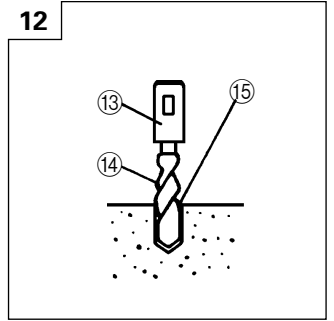
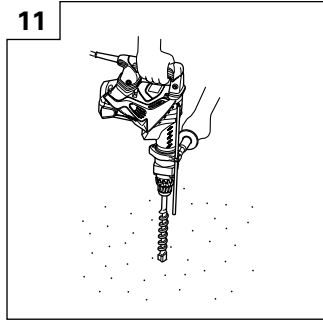
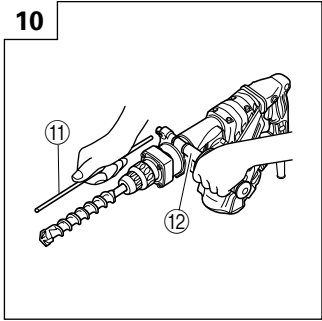
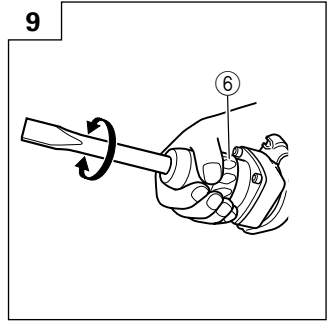
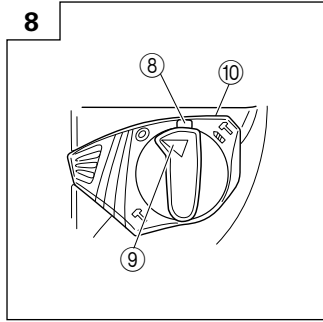
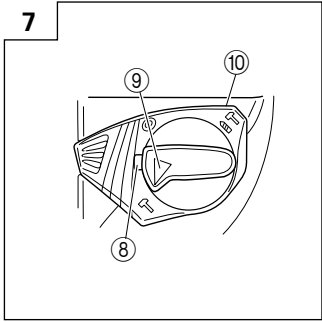
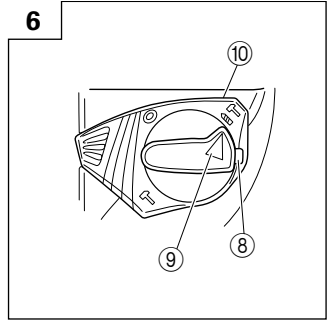
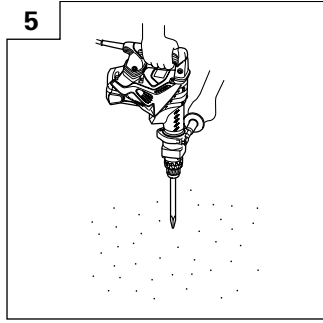
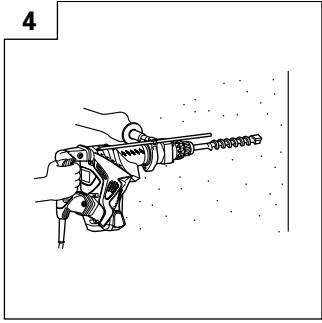
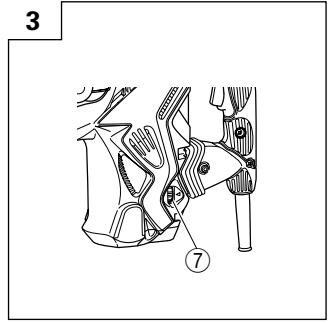
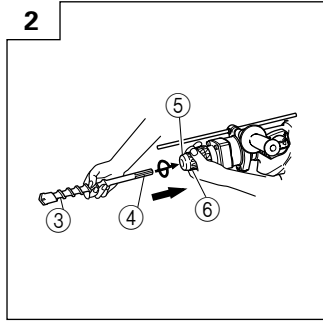
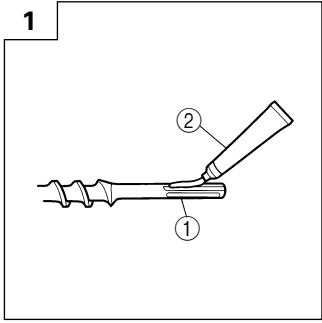


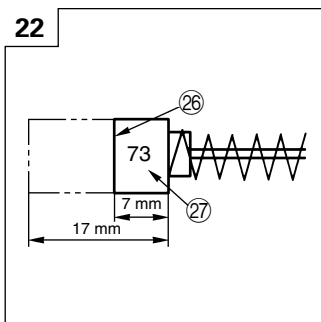
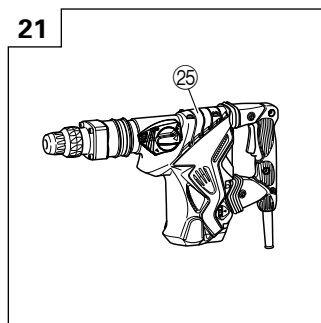
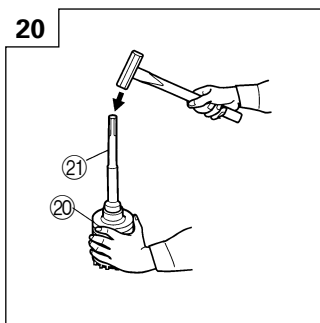
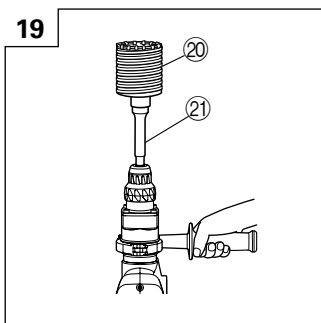
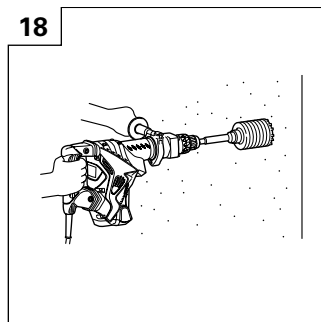
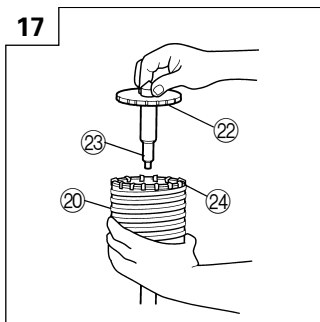
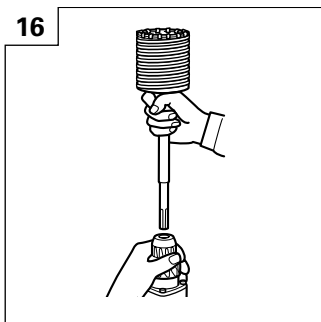
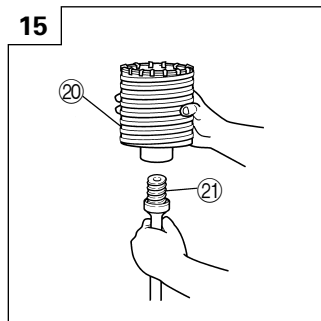
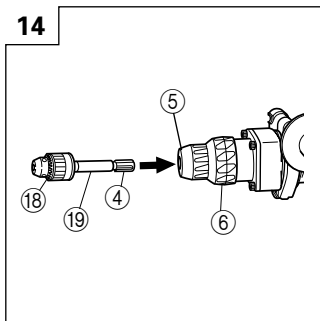
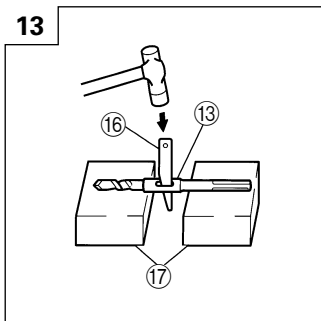
Read through carefully and understand these instructions before use.
Diese Anleitung vor Benutzung des Werkzeugs sorgfältig durchlesen und verstehen.
Lire soigneusement et bien assimiler ces instructions avant usage.
Prima dell'uso leggere attentamente e comprendere queste istruzioni.
Deze gebruiksaanwijzing s.v.p. voor gebruik zorgvuldig doorlezen.
Leer cuidadosamente y comprender estas instrucciones antes del uso.
Antes de usar, leia com cuidado para assimilar estas instruções.



Handling instructions
Bedienungsanleitung
Mode d'emploi
Istruzioni per l'uso
Gebruiksaanwijzing
Instrucciones de manejo
Instruções de uso






Hitachi Koki





	English	Deutsch	Français	Italiano
①	Tool shank	Werkzeugschaft	Queue	Gambo
②	Grease	Schmierfett	Graisse	Grasso
③	Tool	Werkzeug	Outil	Utensile
④	Part of SDS max shank	Teil des SDS-max Schaftes	Élément de la tige SDS max	Parte dell'asta SDS max
⑤	Front cap	Vordere Abdeckung	Capuchon avant	Protezione davanti
⑥	Grip	Spannbacke	Attache coulissante	Presa davanti
⑦	Dial	Skalenscheibe	Bague	Manopola
⑧	Button	Knopf	Bouton	Tasto
⑨	Selector lever	Wahlhebel	Sélecteur	Leva di selezione
⑩	Lever holder	Hebelhalter	Support de levier	Supporto leva
⑪	Stopper	Anschlagstange	Quenouille	Bacchetta d'arresto
⑫	Side handle	Seitengriff	Poignée latérale	Impugnatura laterale
⑬	Taper shank adapter	Konusschaftadapter	Raccord de queue conique	Adattatore del gambo conico
⑭	Drill bit (taper shank)	Bohren (mit konischem Schaft)	Mèche (Queue conique)	Punta del trapano (gambo conico)
⑮	Indicating groove shows standard depth matching the outside diameter of the anchor for drilling.	Anzeigerille zeigt Normalloch-tiefe gemäß Außendurchmesser des Ankers für Bohren.	La rainure indicatrice montre la profondeur standard adaptée au diamètre extérieur de l'ancrage pour le perçage.	Scanalatura di riferimento indicante la profondità standard con il diametro esterno dell'ancora per il trapanaggio.
⑯	Cotter	Keil	Clavette	Chiave trasversale
⑰	Rest	Auflage	Support	Appoggio
⑱	Drill chuck	Bohrfutter	Mandrin porte-foret	Mandrino
⑲	Chuck adapter	Bohrfutteradapter	Raccord de mandrin	Adattatore per mandrino
⑳	Core bit	Bohrkrone	Couronne	Corona
㉑	Core bit shank	Bohrkronenschenkel	Queue de couronne	Gambo della corona
㉒	Guide plate	Führensplatte	Plaque de guidage	Piastra di guida
㉓	Center pin	Mittelstift	Goujon central	Perno ralla
㉔	Core bit tip	Bohrkronenspitze	Bout de couronne	Punta della corona
㉕	Crank cover	Kurbelabdeckung	Cache de carter	Coperchio manovella
㉖	Wear limit	Verschleißgrenze	Limite d'usure	Limite d'usura
㉗	No. of Carbon Brush	Nr. der Kohlebürste	No. de balai en carbone	Numero delle spazzole di carbone

	Nederlands	Español	Português
①	Boorschacht	Barrena	Cabo de ferramenta
②	Smering	Grasa	Lubrificante
③	Gereedschap	Herramienta	Ferramenta
④	Onderdeel van SDS max schacht	Parte del SDS max vástago	Peça do cabo SDS max
⑤	Voorkap	Cubierta frontal	Tampa da frente
⑥	Greep	Sujetador	Mordente
⑦	Draaiknop	Dial	Dial
⑧	Knop	Botón	Botão
⑨	Keuzeschakelaar	Palanaca selectora	Seletor
⑩	Behuizing	Sujetador de palanca	Suporte da alavanca
⑪	Stopper	Tope	Tampão
⑫	Zijgreep	Mango lateral	Empunhadura lateral
⑬	Schachtadaptor	Adaptador de barrena ahusada	Adaptador de cabo cônico
⑭	Booreinde (vernuwde schacht)	Broca de barrena (barrena ahusada)	Broca
⑮	Indikatiegroef laat de standaard-diepte zien, die gelijk is aan de diameter van het anker voor boren.	Ranura indicadora que muestra la profundidad normal de coincidencia del diámetro exterior del anclaje para taladrar.	A ranhura indicadora mostra a profundidade padrão correspondente ao diâmetro externo da âncora para perfuração.
⑯	Cotter	Chaveta	Cavilha
⑰	Steun	Apoyo	Suporte
⑱	Boorkop	Portabrocas	Mandril
⑲	Boorkopadaptor	Adaptador del portabrocas	Adaptador do mandril
⑳	Kernstuk	Barrena tubular	Coroa
㉑	Kernstukschacht	Espiga de barrena	Cabo de coroa
㉒	Plaatje	Placa guía	Placa-guia
㉓	Middenpin	Pasador central	Pino central
㉔	Top van kernstuk	Punta barrena tubular	Cabo da coroa
㉕	Krukafdekking	Cubierta de la manivela	Tampa da manivela
㉖	Slijtagelimiet	Límite de desgaste	Limite de desgaste
㉗	Nr. van koolborstels	Nº de escobilla de carbón	Nº da escova de carvão

	Symbols ⚠ WARNING The following show symbols used for the machine. Be sure that you understand their meaning before use.	Symbole ⚠ WARNUNG Die folgenden Symbole werden für diese Maschine verwendet. Achten Sie darauf, diese vor der Verwendung zu verstehen.	Symboles ⚠ AVERTISSEMENT Les symboles suivants sont utilisés pour l'outil. Bien se familiariser avec leur signification avant d'utiliser l'outil.	Simboli ⚠ AVVERTENZA Di seguito mostriamo i simboli usati per la macchina. Assicurarsi di comprenderne il significato prima dell'uso.
	Read all safety warnings and all instructions. Failure to follow the warnings and instructions may result in electric shock, fire and/or serious injury.	Lesen Sie sämtliche Sicherheitshinweise und Anweisungen durch. Wenn die Warnungen und Anweisungen nicht befolgt werden, kann es zu Stromschlag, Brand und/oder ernsthaften Verletzungen kommen.	Lire tous les avertissements de sécurité et toutes les instructions. Tout manquement à observer ces avertissements et instructions peut engendrer des chocs électriques, des incendies et/ou des blessures graves.	Leggere tutti gli avvertimenti di sicurezza e tutte le istruzioni. La mancata osservanza degli avvertimenti e delle istruzioni potrebbe essere causa di scosse elettriche, incendi e/o gravi lesioni.
	Only for EU countries Do not dispose of electric tools together with household waste material! In observance of European Directive 2002/96/EC on waste electrical and electronic equipment and its implementation in accordance with national law, electric tools that have reached the end of their life must be collected separately and returned to an environmentally compatible recycling facility.	Nur für EU-Länder Werfen Sie Elektrowerzeuge nicht in den Hausmüll! Gemäss Europäischer Richtlinie 2002/96/EG über Elektro- und Elektronik-Altgeräte und Umsetzung in nationales Recht müssen verbrauchte Elektrowerzeuge getrennt gesammelt und einer umweltgerechten Wiederverwertung zugeführt werden.	Pour les pays européens uniquement Ne pas jeter les appareils électriques dans les ordures ménagères! Conformément à la directive européenne 2002/96/EG relative aux déchets d'équipements électriques ou électroniques (DEEE), et à sa transposition dans la législation nationale, les appareils électriques doivent être collectés à part et être soumis à un recyclage respectueux de l'environnement.	Solo per Paesi UE Non gettare le apparecchiature elettriche tra i rifiuti domestici. Secondo la Direttiva Europea 2002/96/CE sui rifiuti di apparecchiature elettriche ed elettroniche e la sua attuazione in conformità alle norme nazionali, le apparecchiature elettriche esauste devono essere raccolte separatamente, al fine di essere reimpiegate in modo eco-compatibile.
	Symbole ⚠ WAARSCHUWING Hieronder staan symbolen afgebeeld die van toepassing zijn op deze machine. U moet de betekenis hiervan begrijpen voor gebruik.	Símbolos ⚠ ADVERTENCIA A continuación se muestran los símbolos usados para la máquina. Asegúrese de comprender su significado antes del uso.	Símbolos ⚠ AVISO A seguir aparecem os símbolos utilizados pela máquina. Assimile bem seus significados antes do uso.	
	Lees alle waarschuwingen en instructies aandachtig door. Nalating om de waarschuwingen en instructies op te volgen kan in een elektrische schok, brand en/of ernstig letsel resulteren.	Lea todas las instrucciones y advertencias de seguridad. Si no se siguen las advertencias e instrucciones, podría producirse una descarga eléctrica, un incendio y/o daños graves.	Leia todas as instruções e avisos de segurança. Se não seguir todas as instruções e os avisos, pode provocar um choque eléctrico, incêndio e/ou ferimentos graves.	
	Alleen voor EU-landen Geef elektrisch gereedschap niet met het huisvuil mee! Volgens de Europese richtlijn 2002/96/EG inzake oude elektrische en elektronische apparaten en de toepassing daarvan binnen de nationale wetgeving, dient gebruikt elektrisch gereedschap gescheiden te worden ingezameld en te worden afgevoerd naar een recycle bedrijf dat voldoet aan de geldende milieueisen.	Sólo para países de la Unión Europea ¡No deseché los aparatos eléctricos junto con los residuos domésticos! De conformidad con la Directiva Europea 2002/96/CE sobre residuos de aparatos eléctricos y electrónicos y su aplicación de acuerdo con la legislación nacional, las herramientas eléctricas cuya vida útil haya llegado a su fin se deberán recoger por separado y trasladar a una planta de reciclaje que cumpla con las exigencias ecológicas.	Apenas para países da UE Não deite ferramentas eléctricas no lixo doméstico! De acordo com a directiva europeia 2002/96/CE sobre ferramentas eléctricas e electrónicas usadas e a transposição para as leis nacionais, as ferramentas eléctricas usadas devem ser recolhidas em separado e encaminhadas a uma instalação de reciclagem dos materiais ecológica.	

GENERAL POWER TOOL SAFETY WARNINGS

WARNING

Read all safety warnings and all instructions.

Failure to follow the warnings and instructions may result in electric shock, fire and/or serious injury.

Save all warnings and instructions for future reference.

The term "power tool" in the warnings refers to your mains-operated (corded) power tool or battery-operated (cordless) power tool.

1) Work area safety

- a) **Keep work area clean and well lit.**
Cluttered or dark areas invite accidents.
- b) **Do not operate power tools in explosive atmospheres, such as in the presence of flammable liquids, gases or dust.**
Power tools create sparks which may ignite the dust or fumes.
- c) **Keep children and bystanders away while operating a power tool.**
Distractions can cause you to lose control.

2) Electrical safety

- a) **Power tool plugs must match the outlet. Never modify the plug in any way. Do not use any adapter plugs with earthed (grounded) power tools.**
Unmodified plugs and matching outlets will reduce risk of electric shock.
- b) **Avoid body contact with earthed or grounded surfaces, such as pipes, radiators, ranges and refrigerators.**
There is an increased risk of electric shock if your body is earthed or grounded.
- c) **Do not expose power tools to rain or wet conditions.**
Water entering a power tool will increase the risk of electric shock.
- d) **Do not abuse the cord. Never use the cord for carrying, pulling or unplugging the power tool. Keep cord away from heat, oil, sharp edges or moving parts.**
Damaged or entangled cords increase the risk of electric shock.
- e) **When operating a power tool outdoors, use an extension cord suitable for outdoor use.**
Use of a cord suitable for outdoor use reduces the risk of electric shock.
- f) **If operating a power tool in a damp location is unavoidable, use a residual current device (RCD) protected supply.**
Use of an RCD reduces the risk of electric shock.

3) Personal safety

- a) **Stay alert, watch what you are doing and use common sense when operating a power tool. Do not use a power tool while you are tired or under the influence of drugs, alcohol or medication.**
A moment of inattention while operating power tools may result in serious personal injury.
- b) **Use personal protective equipment. Always wear eye protection.**
Protective equipment such as dust mask, non-skid safety shoes, hard hat, or hearing protection used for appropriate conditions will reduce personal injuries.
- c) **Prevent unintentional starting. Ensure the switch is in the off-position before connecting to power source and/or battery pack, picking up or carrying the tool.**

Carrying power tools with your finger on the switch or energising power tools that have the switch on invites accidents.

- d) **Remove any adjusting key or wrench before turning the power tool on.**
A wrench or a key left attached to a rotating part of the power tool may result in personal injury.
 - e) **Do not overreach. Keep proper footing and balance at all times.**
This enables better control of the power tool in unexpected situations.
 - f) **Dress properly. Do not wear loose clothing or jewellery. Keep your hair, clothing and gloves away from moving parts.**
Loose clothes, jewellery or long hair can be caught in moving parts.
 - g) **If devices are provided for the connection of dust extraction and collection facilities, ensure these are connected and properly used.**
Use of dust collection can reduce dust related hazards.
- #### 4) Power tool use and care
- a) **Do not force the power tool. Use the correct power tool for your application.**
The correct power tool will do the job better and safer at the rate for which it was designed.
 - b) **Do not use the power tool if the switch does not turn it on and off.**
Any power tool that cannot be controlled with the switch is dangerous and must be repaired.
 - c) **Disconnect the plug from the power source and/or the battery pack from the power tool before making any adjustments, changing accessories, or storing power tools.**
Such preventive safety measures reduce the risk of starting the power tool accidentally.
 - d) **Store idle power tools out of the reach of children and do not allow persons unfamiliar with the power tool or these instructions to operate the power tool. Power tools are dangerous in the hands of untrained users.**
 - e) **Maintain power tools. Check for misalignment or binding of moving parts, breakage of parts and any other condition that may affect the power tool's operation. If damaged, have the power tool repaired before use. Many accidents are caused by poorly maintained power tools.**
 - f) **Keep cutting tools sharp and clean.**
Properly maintained cutting tools with sharp cutting edges are less likely to bind and are easier to control.
 - g) **Use the power tool, accessories and tool bits etc. in accordance with these instructions, taking into account the working conditions and the work to be performed.**
Use of the power tool for operations different from those intended could result in a hazardous situation.
- #### 5) Service
- a) **Have your power tool serviced by a qualified repair person using only identical replacement parts.**
This will ensure that the safety of the power tool is maintained.

PRECAUTION

Keep children and infirm persons away.

When not in use, tools should be stored out of reach of children and infirm persons.

ROTARY HAMMER SAFETY WARNINGS

1. **Wear ear protectors**
Exposure to noise can cause hearing loss.
2. **Use auxiliary handles supplied with the tool.**
Loss of control can cause personal injury.
3. Do not touch the bit during or immediately after operation. The bit becomes very hot during operation and could cause serious burns.
4. Before starting to break, chip or drill into a wall, floor or ceiling, thoroughly confirm that such items as electric cables or conduits are not buried inside.
5. Always hold the body handle and side handle of the power tool firmly. Otherwise the counterforce produced may result in inaccurate and even dangerous operation.
6. **Wear a dust mask**
Do not inhale the harmful dusts generated in drilling or chiseling operation. The dust can endanger the health of yourself and bystanders.

SPECIFICATIONS

Voltage (by areas)*	(110V, 115V, 120V, 127V, 220V, 230V, 240V) ~
Power input	950 W*
Capacity	Drill bit: 40 mm Core bit: 105 mm
No load speed	240 – 480 min ⁻¹
Full-load impact rate	1320 – 2650 min ⁻¹
Weight (without cord, side handle)	6.8 kg

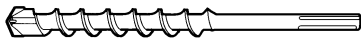
*Be sure to check the nameplate on product as it is subject to change by areas.

STANDARD ACCESSORIES

- (1) Case 1
 - (2) Side Handle 1
 - (3) Stopper 1
 - (4) Hammer Grease A 1
- Standard accessories are subject to change without notice.

OPTIONAL ACCESSORIES (sold separately)

1. Through-hole drilling (Rotation + Hammering)

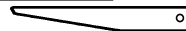


(1) Drill bit (SDS max shank)

Outer diameter (mm)	Overall length (mm)
16	340, 540
19	
22	
25	320, 520
28	
32	370, 570
38	
40	

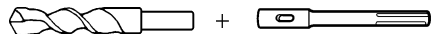
2. Anchor hole drilling (Rotation + Hammering)

Drill bit (Taper shank)



(3) Cotter

+



- (1) Drill bit (taper shank)
External dia.: 11, 12.3, 12.7,
14.3, 14.5, 17.5 mm
- (2) Taper shank adapter
(SDS max shank)

Taper shank adapter	Application drill bit
Morse taper (No. 1)	Drill bit (taper shank) 11, 12.3, 12.7, 14.3, 14.5, 17.5 mm

Adapter for SDS-plus shank bit



- (1) Drill bit (SDS-plus shank)
- (2) Adapter for SDS-plus shank bit (SDS max shank)

3. Large dia. hole boring (Rotation + Striking)



- (Guide plate)
- (1) Center pin
- (2) Core bit
- (3) Core bit shank

(1) Center pin

- Applied to core bits from 38 mm to 105 mm
- Applied to core bits 32 mm and 35 mm

NOTE:

Do not use core bits 25 mm or 29 mm.

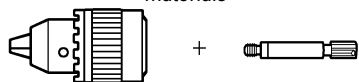
(2) Core bit

- External dia. 25, 29, 32, 35, 38, 45, 54, 64, 79, 94, 105 mm (with guide plate, not applicable to cores 25 mm or 29 mm)

(3) Core bit shank

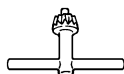
- Applied to core bits above 38 mm
- Applied to core bits below 35 mm

4. Drilling holes For drilling metal and wooden materials



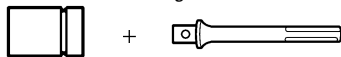
13 mm drill chuck
(13VLA)

Chuck adapter
(SDS max shank)



Chuck wrench

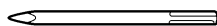
5. Bolt placing operation with Chemical Anchor (Rotation + Hammering)



(Standard socket
on the market)

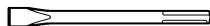
(SDS max shank)
12.7 mm Chemical
Anchor Adaptor
19 mm Chemical
Anchor Adaptor

6. Crushing (Hammering)



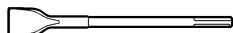
(1) Bull point
Overall length: 280, 400 mm

7. Groove digging and edging (Hammering)



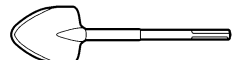
(1) Cold chisel
Overall length: 280, 400 mm

8. Asphalt cutting (Hammering)



(1) Cutter

9. Scooping Work (Hammering)



(1) Scoop

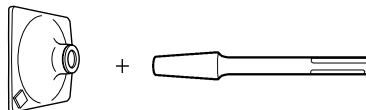
10. Surface Roughing (Hammering)



(1) Bushing Tool

(2) Shank

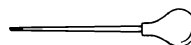
11. Tamping (Hammering)



(1) Rammer
150 × 150 mm

(2) Shank

12. Syringe (for chip removal)



- Hammer grease A
500 g (in a can)
70 g (in a green tube)
30 g (in a green tube)

Optional accessories are subject to change without notice.

APPLICATIONS

- Drilling holes in concrete
- Drilling anchor holes
- Crushing concrete, chipping, digging, and squaring (by applying optional accessories)

PRIOR TO OPERATION**1. Power source**

Ensure that the power source to be utilized conforms to the power requirements specified on the product nameplate.

2. Power switch

Ensure that the power switch is in the OFF position. If the plug is connected to a power receptacle while the power switch is in the ON position, the power tool will start operating immediately, which could cause a serious accident.

3. Extension cord

When the work area is removed from the power source, use an extension cord of sufficient thickness and rated capacity. The extension cord should be kept as short as practicable.

4. How to install tool**NOTE:**

For tools such as a bull point and a cold chisel, use only Hitachi genuine parts.

- (1) Clean, then smear the tool shank with the grease provided in the green tube (**Fig. 1**).
- (2) To attach the tool (SDS max shank), insert it into the hole until it contacts the innermost end of the hole as illustrated in **Fig. 2**.

If you continue to turn the tool with slight pressure, you can feel a spot where there is a hitch. At that spot, pull the grip to the direction of an arrow mark and insert the tool all the way until it hits the innermost end.

Releasing the grip reverts the grip and secures the tool in place.

- (3) Pull the tool to make sure it is locked completely.
- (4) To remove the tool, fully pull the grip in the direction of the arrow and pull out the tool.

5. Regulating the number of rotations and hammering (Fig. 3)

This Rotary Hammer is equipped with a built-in electronic control circuit that can adjust and regulate the number of rotations and times of hammering. This Rotary Hammer can be used by adjusting the dial, depending upon the contents of operation, such as boring holes into fragile materials, chipping, centering, etc.

The scale '1' of the dial is designed for a minimum speed with the number of 240 rotations per minute and 1320 times of blow per minute. The scale '6' is designed for a maximum speed with the number of 480 rotations per minute and 2650 times of blow per minute.

CAUTION:

Do not adjust the dial during operation. Doing so can result in injury because the Rotary Hammer must be held by only one hand, disabling the steady control of the Rotary Hammer.

HOW TO USE THE ROTARY HAMMER

1. How to drill holes (Fig. 4)

- (1) Pull the switch trigger after applying the drill bit tip to the drilling position.
- (2) It is unnecessary to forcibly press the rotary hammer main body. It is sufficient to slightly press the rotary hammer to an extent that shavings are freely discharged.

CAUTION:

Although this machine is equipped with a safety clutch, if the drill bit becomes bound in concrete or other material, the resultant stoppage of the drill bit could cause the machine body to turn in reaction. Ensure that the main handle and side handle are gripped firmly during operation.

2. How to chisel or crush (Fig. 5)


By applying the drill bit tip to the chiseling or crushing position, operate the rotary hammer by utilizing its empty weight.

Forcible pressing or thrusting is unnecessary.

3. When drilling at "rotation + hammering":

CAUTION:

If you switch the selector lever during motor rotation, the tool can start to rotate abruptly, resulting in unexpected accidents. Be sure to switch the selector lever when the motor is at a complete stop.

- (1) Switching to "rotation + hammering"
 - (a) Push the button, release lock and turn the selector lever clockwise.
 - (b) Align ▲ of the selector lever and  of the lever holder as illustrated in Fig. 6.
 - (c) Release the button to lock the selector lever.

NOTE:


Turn the selector lever (do not push the button) to check if it is completely locked and make sure that it does not turn.

4. When chipping and chiseling at "hammering":

CAUTION:

- If the selector lever is switched during motor rotation, the tool can start to rotate abruptly, resulting in unexpected accidents. Make sure to switch the selector lever when the motor is at a complete stop.
- If the bull point or cold chisel is used at the position of "rotation + hammering", the tool can start to rotate, resulting in unexpected accidents. Make sure that they are used at the position of "hammering".

(1) Switching to "hammering"

- (a) Push the button, release lock and turn the selector lever counterclockwise.
- (b) Align ▲ of the selector lever and  of the lever holder as illustrated in Fig. 7.
- (c) Release the button to lock the selector lever.

NOTE:

Turn the selector lever (do not push the button) to check if it is completely locked and make sure that it does not turn.

(2) When fixing working positions of tools such as cold chisel, etc.,

- (a) Push the button, release lock and turn the selector lever.

Align ▲ of the selector lever and © of the lever holder as illustrated in Fig. 8.

- (b) Release the button to lock the selector lever.
- (c) Turn the grip as illustrated in Fig. 9 and fix the tool to the desired working direction.
- (d) Switch the selector lever to "hammering" according to the procedures mentioned in the above item (1) and secure the position of the tool.

5. Install the stopper (Fig. 10)

- (1) Loosen the side handle and insert the straight portion of the stopper into the handle bolt hole.
- (2) Move the stopper to the specified position and rotate the grip of the side handle clockwise to fix the stopper.

6. Warming up (Fig. 11)

The grease lubrication system in this unit may require warming up in cold regions.

Position the end of the bit so makes contact with the concrete, turn on the switch and perform the warming up operation. Make sure that a hitting sound is produced and then use the unit.

CAUTION:

When the warming up operation is performed, hold the side handle and the main body securely with both hands to maintain a secure grip and be careful not to twist your body by the jammed drill bit.

DRILLING AND DRIVING-IN OPERATIONS FOR ANCHORS

1. When a taper shank adapter is used. (Fig. 12)

- (1) Install drill bit with taper shank in the taper shank adapter.
- (2) Turn the power on and drill a base hole to the depth sounded by indicating groove on the drill bit.
- (3) After cleaning out dust with a syringe, attach the plug to the anchor tip and drive in the anchor with a manual hammer.

- (4) To remove the drill bit (taper shank), insert the cotter into the slot of the taper shank adapter and strike the head of the cotter with a manual hammer supporting on a rest. (Fig. 13)

USING DRILL CHUCK, CHUCK ADAPTER

Note that this machine can be used at "rotation only" if separately sold parts such as drill chuck and chuck adapter are attached. Use it with the selector lever positioned at "rotation + hammering".

CAUTION:

During operation, be sure to grip the handle and the side handle firmly to prevent your body from swaying.

- (1) Switching to "rotation + hammering"
For switching to "rotation + hammering", follow the same procedures mentioned in [3. When drilling at "rotation + hammering"].
- (2) Attaching chuck adapter to drill chuck (Fig. 14)
 - (a) Attach the chuck adapter to the drill chuck.
 - (b) The SDS max shank of the chuck adapter is equivalent to the drill bit. Therefore, follow the same procedure as [How to install tool] for attaching and detaching.
- (3) Drilling
 - (a) Even if you apply more-than-required pressure to the machine body, drilling can never be performed as quickly as you expect. Applying more force or pressure to the machine body than what is needed, on the contrary, damages the drill tip, resulting in the declined working efficiency and shortened life of this machine.
 - (b) A drill can snap sometimes when drilling is almost finished. It is important to relax your thrusting pressure when drilling is nearing the end.

HOW TO HANDLE A CORE BIT

When a core bit is used, large diameter holes and blind holes can be drilled. In this case, use optional accessories for core bits (such as a center pin and core bit shank) for more efficient operation.

1. Mounting

CAUTION:

Prior to mounting a core bit, always disconnect the plug from the power supply receptacle.

- (1) Mount the core bit on the core bit shank. (Fig. 15)
Before that, feed oil to the screw portion of core bit shank for easy dismounting.
- (2) Mount the core bit shank on the main body in the same manner as in mounting the drill bit and the bull point. (Fig. 16)
- (3) Insert the center pin into the guide plate until it reaches the extremity.
- (4) Fit in the guide plate by aligning its concaved portion with the core bit tip. When the position of the concave is shifted by turning the guide plate right or left, the guide plate never slips off even when the drill is used in a downward direction. (Fig. 17)

2. Drilling holes

- (1) Insert the plug into a receptacle.

- (2) A spring is built in the center pin. By straightly and gently pressing it to the wall or floor surface, the entire surface of the core bit tip attains contact to start the hole drilling job. (Fig. 18)
- (3) When the hole depth reaches approximately 5 mm, the hole position can be determined. Then remove the center pin and guide plate from the core bit and continue the hole drilling job.

CAUTION:

When removing the center pin and guide plate, always disconnect the plug from the receptacle.

3. How to dismount the core bit

- By holding the rotary hammer (with the core bit inserted) in an upward position, drive the rotary hammer to repeat impact operation two or three times, whereby the screw is loosened and the rotary hammer becomes ready for disassembly. (Fig. 19)
- Remove the core bit shank from the rotary hammer, hold the core bit with one hand, and strongly strike the head of the SDS max shank portion of the core bit shank with a manual hammer two or three times, whereby the round head screw is loosened and the rotary hammer is ready for disassembly. (Fig. 20)

HOW TO REPLACE GREASE

This machine is of full air-tight construction to protect against dust and to prevent lubricant leakage. Therefore, the machine can be used without lubrication for long periods. Replace the grease as described below.

1. Grease replacement period

After purchase, replace grease after every 6 months of usage. Ask for grease replacement at the nearest Hitachi Authorized Service Center. Proceed for replacement of grease.

2. Grease replenishment

CAUTION:

Before replenishing the grease, turn the power off and pull out the power plug.

- (1) Remove the crank cover and wipe off the grease inside. (Fig. 21)
- (2) Supply 30 g of Hitachi Electric Hammer Grease A (Standard accessory, contained in tube) to the crank case.
- (3) After replenishing the grease, install the crank cover securely.

NOTE:

The Hitachi Electric Hammer Grease A is of the low viscosity type. If necessary purchase from an Hitachi Authorized Service Center.

MAINTENANCE AND INSPECTION

1. Inspecting the tool

Since use of a dull tool will degrade efficiency and cause possible motor malfunction, sharpen or replace the tool as soon as abrasion is noted.

2. Inspecting the mounting screws

Regularly inspect all mounting screws and ensure that they are properly tightened. Should any of the screws be loose, retighten them immediately. Failure to do so could result in serious hazard.

3. Maintenance of the motor

The motor unit winding is the very “heart” of the power tool. Exercise due care to ensure the winding does not become damaged and/or wet with oil or water.

4. Inspecting the carbon brushes (Fig. 22)

The Motor employs carbon brushes which are consumable parts. When they become worn to or near the “wear limit”, it could result in motor trouble. When an auto-stop carbon brush is equipped, the motor will stop automatically. At that time, replace both carbon brushes with new ones which have the same carbon brush Numbers shown in the figure. In addition, always keep carbon brushes clean and ensure that they slide freely within the brush holders.

5. Replacing carbon brushes

Loosen the two set screws and remove the tail cover. Remove the brush caps and carbon brushes. After replacing the carbon brushes, tighten the brush caps securely and install the tail cover with securely tightening two set screws.

6. Service parts list

CAUTION:

Repair, modification and inspection of Hitachi Power Tools must be carried out by an Hitachi Authorized Service Center.

This Parts List will be helpful if presented with the tool to the Hitachi Authorized Service Center when requesting repair or other maintenance.

In the operation and maintenance of power tools, the safety regulations and standards prescribed in each country must be observed.

MODIFICATIONS:

Hitachi Power Tools are constantly being improved and modified to incorporate the latest technological advancements.

Accordingly, some parts may be changed without prior notice.

GUARANTEE

We guarantee Hitachi Power Tools in accordance with statutory/country specific regulation. This guarantee does not cover defects or damage due to misuse, abuse, or normal wear and tear. In case of complaint, please send the Power Tool, undismantled, with the GUARANTEE CERTIFICATE found at the end of this Handling instruction, to a Hitachi Authorized Service Center.

NOTE:

Due HITACHI's continuing program of research and development, the specifications herein are subject to change without prior notice.

IMPORTANT:

Correct connection of the plug
The wires of the main lead are coloured in accordance with the following code:

Blue: — Neutral
Brown: — Live

As the colours of the wires in the main lead of this tool may not correspond with the coloured markings identifying the terminals in your plug proceed as follows:
The wire coloured blue must be connected to the terminal marked with the letter N or coloured black.
The wire coloured brown must be connected to the terminal marked with the letter L or coloured red.
Neither core must be connected to the each terminal.

NOTE:

This requirement is provided according to BRITISH STANDARD 2769: 1984.

Therefore, the letter code and colour code may not be applicable to other markets except The United Kingdom.

Information concerning airborne noise and vibration

The measured values were determined according to EN60745 and declared in accordance with ISO 4871.

Measured A-weighted sound power level: 104 dB (A).
Measured A-weighted sound pressure level: 93 dB (A).
Uncertainty KpA: 3 dB (A).

Wear ear protection.

Vibration total values (triax vector sum) determined according to EN60745.

Hammer drilling into concrete:

Vibration emission value $a_{h, HD} = 8.3 \text{ m/s}^2$
Uncertainty K = 1.5 m/s^2

Equivalent chiselling value:

Vibration emission value $a_{h, Cheq} = 4.6 \text{ m/s}^2$
Uncertainty K = 1.5 m/s^2

WARNING

- The vibration emission value during actual use of the power tool can differ from the declared value depending on the ways in which the tool is used.
- To identify the safety measures to protect the operator that are based on an estimation of exposure in the actual conditions of use (taking account of all parts of the operating cycle such as the times when the tool is switched off and when it is running idle in addition to the trigger time).

ALLGEMEINE SICHERHEITSHINWEISE FÜR ELEKTROGERÄTE

⚠️ WARNUNG

Lesen Sie sämtliche Sicherheitshinweise und Anweisungen durch. Wenn die Warnungen und Anweisungen nicht befolgt werden, kann es zu Stromschlag, Brand und/oder ernsthaften Verletzungen kommen.

Bitte bewahren Sie alle Warnhinweise und Anweisungen zum späteren Nachschlagen auf.

Der Begriff „Elektrowerkzeug“ bezieht sich in den Warnhinweisen auf Elektrowerkzeuge mit Netz- (schnurgebunden) oder Akkubetrieb (schnurlos).

1) Sicherheit im Arbeitsbereich

- Sorgen Sie für einen sauberen und gut ausgeleuchteten Arbeitsbereich.**
Zugestellte oder dunkle Bereiche ziehen Unfälle förmlich an.
- Verwenden Sie Elektrowerkzeuge niemals an Orten, an denen Explosionsgefahr besteht – zum Beispiel in der Nähe von leicht entflammaren Flüssigkeiten, Gasen oder Stäuben.**
Bei der Arbeit mit Elektrowerkzeugen kann es zu Funkenbildung kommen, wodurch sich Stäube oder Dämpfe entzünden können.
- Sorgen Sie bei der Arbeit mit Elektrowerkzeugen dafür, dass sich keine Zuschauer (insbesondere Kinder) in der Nähe befinden.**
Wenn Sie abgelenkt werden, können Sie die Kontrolle über das Werkzeug verlieren.

2) Elektrische Sicherheit

- Elektrowerkzeuge müssen mit passender Stromversorgung betrieben werden.**
Nehmen Sie niemals irgendwelche Änderungen am Anschlussstecker vor.
Verwenden Sie bei Elektrowerkzeugen mit Schutzkontakt (geerdet) niemals Adapterstecker.
Stecker im Originalzustand und passende Steckdosen reduzieren das Stromschlagrisiko.
- Vermeiden Sie Körperkontakt mit geerdeten Gegenständen wie Rohrleitungen, Heizungen, Herden oder Kühlschränken.**
Bei Körperkontakt mit geerdeten Gegenständen besteht ein erhöhtes Stromschlagrisiko.
- Setzen Sie Elektrowerkzeuge niemals Regen oder sonstiger Feuchtigkeit aus.**
Wenn Flüssigkeiten in ein Elektrowerkzeug eindringen, erhöht sich das Stromschlagrisiko.
- Verwenden Sie die Anschlusschnur nicht missbräuchlich.**
Tragen Sie das Elektrowerkzeug niemals an der Anschlusschnur, ziehen Sie es nie damit heran und ziehen Sie den Stecker nicht an der Anschlusschnur aus der Steckdose.
Halten Sie die Anschlusschnur von Hitzequellen, Öl, scharfen Kanten und beweglichen Teilen fern.
Beschädigte oder verdrehte Anschlusschnüre erhöhen das Stromschlagrisiko.
- Wenn Sie ein Elektrowerkzeug im Freien benutzen, verwenden Sie ein für den Außeneinsatz geeignetes Verlängerungskabel.**
Ein für den Außeneinsatz geeignetes Kabel vermindert das Stromschlagrisiko.
- Falls sich der Betrieb des Elektrowerkzeuges in feuchter Umgebung nicht vermeiden lässt, verwenden Sie eine Stromversorgung mit Fehlerstromschutzeinrichtung (Residual Current Device, RCD).**
Durch den Einsatz einer Fehlerstromschutzeinrichtung wird das Risiko eines elektrischen Schlages reduziert.

3) Persönliche Sicherheit

- Blieben Sie wachsam, achten Sie auf das, was Sie tun, und setzen Sie Ihren Verstand ein, wenn Sie mit Elektrowerkzeugen arbeiten.**
Benutzen Sie keine Elektrowerkzeuge, wenn Sie müde sind oder unter Einfluss von Drogen, Alkohol oder Medikamenten stehen.
Bei der Arbeit mit Elektrowerkzeugen können bereits kurze Phasen der Unaufmerksamkeit zu schweren Verletzungen führen.
 - Benutzen Sie eine persönliche Schutzausrüstung. Tragen Sie immer einen Augenschutz.**
Schutzausrüstung wie Staubmaske, rutschsichere Sicherheitsschuhe, Schutzhelm und Gehörschutz senken das Verletzungsrisiko bei angemessenem Einsatz.
 - Vermeiden Sie unbeabsichtigten Anlauf. Achten Sie darauf, dass sich der Aus- (Off-) Position befindet, ehe Sie das Gerät mit der Stromversorgung und/oder Batteriestromversorgung verbinden, es aufheben oder herumtragen.**
Das Herumtragen von Elektrowerkzeugen mit dem Finger am Schalter oder das Herstellen der Stromversorgung bei betätigtem Schalter zieht Unfälle regelrecht an.
 - Entfernen Sie sämtliche Einstellwerkzeuge (Einstellschlüssel), ehe Sie das Elektrowerkzeug einschalten.**
Ein an einem beweglichen Teil des Elektrowerkzeuges angebrachter Schlüssel kann zu Verletzungen führen.
 - Sorgen Sie für einen festen Stand. Achten Sie jederzeit darauf, sicher zu stehen und das Gleichgewicht zu bewahren.**
Dadurch haben Sie das Elektrowerkzeug in unerwarteten Situationen besser im Griff.
 - Kleiden Sie sich richtig. Tragen Sie keine lose Kleidung oder Schmuck. Halten Sie Haar, Kleidung und Handschuhe von beweglichen Teilen fern.**
Lose Kleidung, Schmuck oder langes Haar kann von beweglichen Teilen erfasst werden.
 - Wenn Anschlüsse für Staubabsaug- und -sammelvorrichtungen vorhanden sind, sorgen Sie dafür, dass diese richtig angeschlossen und eingesetzt werden.**
Durch Entfernen des Staubes können staubbezogene Gefahren vermindert werden.
- #### 4) Einsatz und Pflege von Elektrowerkzeugen
- Überansprechen Sie Elektrowerkzeuge nicht. Benutzen Sie das richtige Elektrowerkzeug für Ihren Einsatzzweck.**
Das richtige Elektrowerkzeug erledigt seine Arbeit bei bestimmungsgemäßem Einsatz besser und sicherer.
 - Benutzen Sie das Elektrowerkzeug nicht, wenn es sich nicht am Schalter ein- und ausschalten lässt.**
Jedes Elektrowerkzeug, das nicht mit dem Schalter betätigt werden kann, stellt eine Gefahr dar und muss repariert werden.
 - Stecken Sie den Stecker der Stromversorgung oder Batteriestromversorgung vom Gerät ab, ehe Sie Einstellarbeiten vornehmen, Zubehörteile tauschen oder das Elektrowerkzeug verstauen.**
Solche präventiven Sicherheitsmaßnahmen verhindern den unbeabsichtigten Anlauf des Elektrowerkzeuges und die damit verbundenen Gefahren.
 - Lagern Sie nicht benutzte Elektrowerkzeuge außerhalb der Reichweite von Kindern, lassen Sie nicht zu, dass Personen das Elektrowerkzeug bedienen, die nicht mit dem Werkzeug selbst und/oder diesen Anweisungen vertraut sind.**
Elektrowerkzeuge in ungeschulten Händen sind gefährlich.
 - Halten Sie Elektrowerkzeuge in Stand. Prüfen Sie auf Fehlausrichtungen, sicheren Halt und Leichtgängigkeit beweglicher Teile, Beschädigungen von Teilen und auf jegliche andere Zustände, die sich auf den Betrieb des Elektrowerkzeuges auswirken können.**

Bei Beschädigungen lassen Sie das Elektrowerkzeug reparieren, ehe Sie es benutzen.

Viele Unfälle mit Elektrowerkzeugen sind auf schlechte Wartung zurückzuführen.

- f) **Halten Sie Schneidwerkzeuge scharf und sauber.**
Richtig gewartete Schneidwerkzeuge mit scharfen Schneidkanten bleiben weniger häufig hängen und sind einfacher zu beherrschen.
- g) **Benutzen Sie Elektrowerkzeuge, Zubehör, Werkzeugspitzen und Ähnliches in Übereinstimmung mit diesen Anweisungen – beachten Sie dabei die jeweiligen Arbeitsbedingungen und die Art und Weise der auszuführenden Arbeiten.**
Der Gebrauch des Elektrowerkzeuges für andere als die vorgesehenen Anwendungen kann zu gefährlichen Situationen führen.
- 5) **Service**
- a) **Lassen Sie Elektrowerkzeuge durch qualifizierte Fachkräfte und unter Einsatz passender, zugelassener Originalteile warten.**
Dies sorgt dafür, dass die Sicherheit des Elektrowerkzeuges nicht beeinträchtigt wird.

VORSICHT

Von Kindern und gebrechlichen Personen fernhalten.

Werkzeuge sollten bei Nichtgebrauch außerhalb der Reichweite von Kindern und gebrechlichen Personen aufbewahrt werden.

TECHNISCHE DATEN

Spannung (je nach Gebjct)*	(110V, 115V, 120V, 127V, 220V, 230V, 240V) ~
Leistungsaufnahme	950 W*
Kapazität	Bohrer: 40 mm Bohrkrone: 105 mm
Leerlaufdrehzahl	240 – 480 min ⁻¹
Vollastschlagzahl	1320 – 2650 min ⁻¹
Gewicht (ohne Kabel und Seitengriff)	6,8 kg

* Vergessen Sie nicht, die Produktangaben auf de Typenschild zu überprüfen, da sich diese ja nach Verkaufsgebiet ändern.

STANDARDZUBEHÖR

- (1) Gehäuse 1
 (2) Seitengriff 1
 (3) Anschlagstange 1
 (4) Hammer Schmierfett A 1
 Das Standardzubehör kann ohne vorherige Bekanntmachung jederzeit geändert werden.

SONDERZUBEHÖR (separat zu beziehen)

1. Durchgangsbohrung (Drehung + Hämmern)



SICHERHEITSHINWEISE FÜR DEN BOHRHAMMER

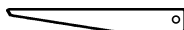
- Tragen Sie Ohrenschützer**
 Starke und/oder dauerhafte Lärmbelastung kann zu Gehörverlust führen.
- Benutzen Sie die mit dem Werkzeug gelieferten Zusatzgriffe.**
 Wenn Sie die Kontrolle über das Werkzeug verlieren, kann es zu Verletzungen kommen.
- Die Bohrerspitze während oder unmittelbar nach dem Betrieb nicht berühren. Die Bohrerspitze wird während des Betriebs sehr heiß, sobaß es zu ernsthaften Verbrennungen führen könnte.
- Bevor man on der Wand, im Boden oder an der Decke etwas ausbricht, meißelt oder bohrt, muß man sich sorgfältig davon überzeugen, ob keine elektrischen Kabel oder Kabelrohre darunter liegen.
- Immer den körper-Handgriff und Seiten-Handgriff des Elektrowerkzeugs festhalten, weil die entstehende Gegenkraft sonst zu einem ungenauen und gefährlichen Arbeiten führt.
- Tragen Sie eine Staubschutzmaske
 Atmen Sie die schädlichen Stäube nicht ein, die beim Bohren und Meißeln entstehen. Die Stäube können Ihre und die Gesundheit von Zuschauern gefährden.

- (1) Bohrer (SDS max-Schaft)

Außendurchmesser (mm)	Gesamtlänge (mm)	
16	340,	540
19		
22	320,	520
25		
28		
32	370,	570
38		
40		

2. Ankerlochbohren (Drehung + Hämmern)

Bohrer (mit konischem Schaft)



(3) Keil

+

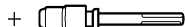


(1) Bohrer (mit konischem Schaft)
Außendurchschnitt:
11, 12,3, 12,7, 14,3, 14,5, 17,5 mm

(2) Konusschaftadapter
(SDS max-Schaft)

Konusschaft-adapter	Anwendbare Bohrerpitze
Morsekonus (Nr. 1)	Bohrerspitze (Konusschaft) 11, 12,3, 12,7, 14,3, 14,5, 17,5 mm

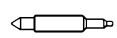
Adapter für SDS-plus-Schaftspitze



(1) Bohrer
(SDS-Plus Schaft)

(2) Adapter für SDS-plus-Schaftspitze
(SDS max-Schaft)

3. Lochbohren mit weitem Durchmesser (Drehung + Hämmern)



(1) Mittelstift
(Führungsplatte)

(2) Bohrkronen

(3) Bohrkronen-schenkel

(1) Mittelstift

- Anwendbar mit Bohrkronen 38 mm ~ 105 mm
- Anwendbar mit Bohrkronen 32 mm und 35 mm
- ANMERKUNG:**
Bohrkronen von 25 mm und 29 mm nicht gebrauchen.

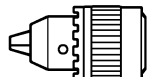
(2) Bohrkronen

- Außendurchschnitt 25, 29, 32, 35, 38, 45, 54, 64, 79, 94, 105 mm
(mit Führungsplatte, nicht verwendbar für Kronen von 25 mm und 29 mm)

(3) Bohrkronenschenkel

- Anwendbar mit Bohrkronen über 38 mm
- Anwendbar mit Bohrkronen unter 35 mm

4. Löcherbohren Zum Bohren von Metall- und Holzwerkstoffen



13 mm Bohrfutter (13VLA)

+



Bohrfutteradapter (SDS max-Schaft)

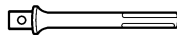


Bohrfutterschlüssel

5. Bolzenplatzierung für Chemical Anchor (Hämmern- und Drehbohren)



+



(Sockel auf markierter stelle)

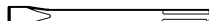
(SDS max-Schaft)
12,7 mm Adapter für Chemical Anchor
19 mm Adapter für Chemical Anchor

6. Brechen (Hämmern)



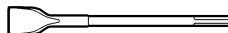
(1) Spitzmeißel
Gesamtlänge: 280, 400 mm

7. Nuten und Kanten (Hämmern)



(1) Kaltmeißel
Gesamtlänge: 280, 400 mm

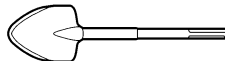
8. Asphalt schneiden (Hämmern)



(1) Spatmeißel

9. Grabarbeiten (Hämmern)

(Zur Verwendung anstelle eines Pickels)

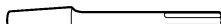


(1) Spaten

10. Ausfrauen der Oberfläche (Hämmern)



+



(1) Stockerplatten

(2) Schaft

11. Stampfen (Hämmern)



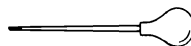
+



(1) Stampferplatten
150 x 150 mm

(2) Schaft

12. Spritze (für Schnipselentfernung)



- Hammer Schmierfett A
500 g (Dose)
70 g (in grüner Tube)
30 g (in grüner Tube)

Das Sonderzubehör kann ohne vorherige Bekanntmachung jederzeit geändert werden.

ANWENDUNGSGEBIETE

- Bohren von Löchern in Beton
- Bohren von Ankerlöchern
- Brechen von Beton, Abmeißeln, Graben und Kanten (durch Verwendung von wahlweisem Zuberhör)

VOR INBETRIEBNAHME

1. Netzspannung

Prüfen, daß die zu verwendende Netzspannung der Angabe auf dem Typenschild entspricht.

2. Netzschalter

Prüfen, daß der Netzschalter auf „AUS“ steht. Wenn der Stecker an das Netz angeschlossen wird, während der Schalter auf „EIN“ steht, beginnt das Werkzeug sofort zu laufen, was gefährlich ist.

3. Verlängerungskabel

Wenn der Arbeitsbereich nicht in der Nähe des Netzanschlusses liegt, ist ein Verlängerungskabel ausreichenden Querschnitts und ausreichender Nennleistung zu verwenden. Das Verlängerungskabel sollte so kurz wie möglich gehalten werden.

4. Anbringen des Werkzeugs

ANMERKUNG:

Immer Original-Hitachi Bohrer und Spitzmeißel sowie Werkzeug verwenden.

- (1) Den Werkzeugschaft reinigen und dann mit Hilfe des mitgelieferten Fettes schmieren (in grüner Tube). (Abb. 1)

- (2) Führen Sie das Werkzeug (SDS max-Schaft) zum Anbringen bis zum Anschlag in die Öffnung ein, wie in Abb. 2 gezeigt.

Wenn Sie das Werkzeug unter leichtem Druck weiterdrehen, stoßen Sie auf eine Stelle mit einem Widerstand. Ziehen Sie an dieser Stelle den Griff in Richtung der Pfeilmarke, und führen Sie das Werkzeug vollständig bis zum innersten Anschlag ein.

Wird der Griff losgelassen, kehrt er zurück und sichert das Werkzeug.

- (3) Am Werkzeug ziehen, um sicherzustellen, dass es vollkommen verriegelt ist.

- (4) Zum Entfernen des Werkzeugs den Griff in Pfeilrichtung ziehen, und das Werkzeug herausziehen.

5. Regeln von Drehzahl und Schlagzahl (Abb. 3)

Diese Bohrhammer hat einen eingebauten elektronischen Steuerkreis, der die Anzahl der Umdrehungen bzw. Hammerschläge steuern kann. Für den Betrieb sollte die Skalenscheibe des Bohrhammers entsprechend dem Arbeitsinhalt eingestellt werden, z.B. Bohren in zerbrechlichem Material, Meißeln, Zentrieren usw.

Der Wert '1' auf der Skalenscheibe bezeichnet die minimale Drehzahl von 240 U/min bzw. die Mindestschlagzahl von 1320 Hammerschlägen pro Minute. Der Wert '6' bezeichnet die maximale Drehzahl von 480 U/min bzw. die maximale Schlagzahl von 2650 Hammerschlägen pro Minute.

ACHTUNG:

Ändern Sie die Einstellung nicht während des Betriebs. Dies kann zu Verletzungen führen, da der Bohrhammer hierbei nur mit einer Hand gehalten werden kann, so dass eine sichere Handhabung des Bohrhammers nicht gewährleistet ist.

EINSATZ DES BOHRHAMMERS

1. Löcherbohren (Abb. 4)

- (1) Der Schalter wird durchgezogen, nachdem die Bohrspitze an der gewünschten Bohrstelle aufgesetzt ist.

- (2) Es ist nicht erforderlich, großen Druck auf die Bohrmaschine auszuüben. Es reicht ein geringer Druck, und zwar so stark, daß die Bohrspäne abgeführt werden.

ACHTUNG:

Obwohl die Maschine mit einer Sicherheitskupplung ausgestattet ist, wenn sich der Bohrer in Beton oder sonstigem Material verklemmt, kann der Stillstand des Bohrers dazu führen, daß sich die Maschine zu drehen beginnt. Es ist darauf zu achten, daß der Hauptgriff und der seitliche Handgriff während des Betriebs gut festgehalten werden.

2. Anweisung für Abmeißeln oder Brechen (Abb. 5)

Die Bohrerspitze an die abzumeißelnde oder brechende Stelle ansetzen und den Hammerbohrer durch Anwendung seines Eigengewichtes in Betrieb setzen, Kraftanwendung beim Drücken oder beim Einsatz ist nicht erforderlich.


3. Bohren mit „Drehen + Hämmern“:

ACHTUNG:

Wird der Wählhebel während der Motordrehung umgeschaltet, kann das Werkzeug plötzlich anlaufen, was zu unerwarteten Unfällen führen kann. Schalten Sie daher den Wählhebel nur bei vollkommenem Stillstand des Motors um.

- (1) Umschalten auf „Drehen + Hämmern“

(a) Den Knopf drücken, die Verriegelung aufheben und den Wählhebel im Uhrzeigersinn drehen.

(b) ▲ des Wählhebels wie in Abb. 6 gezeigt auf  des Hebelhalters ausrichten.

(c) Den Knopf loslassen, um den Wählhebel zu verriegeln.

ANMERKUNG:

Den Wählhebel drehen (nicht den Knopf drücken), um sicherzustellen, dass er vollkommen verriegelt ist und sich nicht dreht.

4. Meißeln und Zerspanen mit „Hämmern“:


ACHTUNG:

- Wird der Wählhebel während der Motordrehung umgeschaltet, kann das Werkzeug plötzlich anlaufen, was zu unerwarteten Unfällen führen kann. Schalten Sie daher den Wählhebel nur bei vollkommenem Stillstand des Motors um.

- Werden Meißel und Zerspaner in der Position „Drehen + Hämmern“ verwendet, kann sich das Werkzeug dreher, was zu unerwarteten Unfällen führen kann. Verwenden Sie diese Werkzeuge nur in der Position „Hämmern“.

- (1) Umschalten auf „Hämmern“

(a) Den Knopf drücken, die Verriegelung aufheben und den Wählhebel gegen den Uhrzeigersinn drehen.

(b) ▲ des Wählhebels wie in Abb. 7 gezeigt auf  des Hebelhalters ausrichten.

(c) Den Knopf loslassen, um den Wählhebel zu verriegeln.

ANMERKUNG:

Den Wählhebel drehen (nicht den Knopf drücken), um sicherzustellen, dass er vollkommen verriegelt ist und sich nicht dreht.

- (2) Fixieren der Arbeitspositionen von Werkzeugen (z.B. Kaltmeißel etc.)
- (a) Den Knopf drücken, die Verriegelung aufheben und den Wählhebel drehen.
▲ des Wählhebels wie in **Abb. 8** gezeigt auf © des Hebelhalters ausrichten.
- (b) Den Knopf loslassen, um den Wählhebel zu verriegeln.
- (c) Den Griff drehen, wie in **Abb. 9** gezeigt, und das Werkzeug in der gewünschter Arbeitsrichtung fixieren.
- (d) Den Wählhebel gemäß dem im obigen Punkt (1) beschriebenen Verfahren auf „Hämmern“ umschalten, und die Position des Werkzeugs sichern.

5. Anbringen der Anschlagstange (Abb. 10)

- (1) Den Seitengriff lösen und den geraden Teil der Anschlagstange in das Bolzenloch des Seitengriffs einschieben.
- (2) Die Anschlagstange in die angegebene Stellung bringen und den Seitengriff nach rechts drehen, um die Anschlagstange zu befestigen.

6. Warmlaufbetrieb (Abb. 11)

Da dieses Gerät Fettschmierung verwendet, kann in kalten Bereichen Warmlaufen erforderlich sein. Die Bohrspitze gegen Beton drücken, den Schalter des Gerätes einschalten und das Gerät verwenden, nachdem Schlaggeräusch zu hören ist.

ACHTUNG:

Beim Warmlaufen den Seitengriff und den Gerätkörper mit beiden Händen gut festhalten, damit Sie sich durch einen verklebten Bohrer nicht verrenken.

BOHREN UND EINDREHEN VON ANKERN

1. Verwendung eines Konus-Werkzeughalters. (Abb. 12)

- (1) Einen Bohrer mit konischem Schaft am Konus-Werkzeughalter anbringen.
- (2) Die Maschine einschalten und ein Loch bohren, bis die Anzeigerille am Bohrer die Bohrlochtiefe anzeigt.
- (3) Nach Ausblasen des Bohrstaubes mit einem Blasebalg den Expansionskonus an der Ankerspitze anbringen und den Anker mit einem Hammer einführen.
- (4) Zur Entfernung des Bohrers (Kegelschafts) einen Dorn in den Schlitz des Kegelschaftadapters einführen und mit einem Hammer gestützt durch eine Auflage auf den Kopt des Dorns schlagen. (**Abb. 13**)

VERWENDUNG DES BOHRFUTTERS UND BOHRFUTTERADAPTERS

Beachten Sie, daß diese Maschine auch in der Betriebsart „nur Drehen“ eingesetzt werden kann, wenn getrennt erhältliche Teile, wie z.B. Bohrfutter und Bohrfutteradapter, angebracht werden. Benutzen Sie die Maschine in diesem Fall in der Wählhebelposition „Drehen + Hämmern“.

ACHTUNG:

Halten Sie die Maschine während des Betriebs mit beiden Händen an Haupt- und Seitengriff fest, um seitliches Schwingen des Körpers zu vermeiden.

- (1) Umschalten auf „Drehen + Hämmern“
Gehen Sie zum Umschalten auf „Drehen + Hämmern“ nach dem unter [3. Bohren mit „Drehen + Hämmern“] beschriebenen Verfahren vor.

- (2) Anbringen des Bohrfutteradapters am Bohrfutter (**Abb. 14**)
- (a) Das Bohrfutteradapter am Bohrfutter anbringen.
- (b) Der SDS max-Schaft des Bohrfutteradapters entspricht der Bohrspitze. Gehen Sie daher zum Anbringen und Abnehmen nach dem unter [Anbringen des Werkzeugs] beschriebenen Verfahren vor.
- (3) Bohren
- (a) Üben Sie keinen stärkeren Druck als nötig auf das Maschinengehäuse aus, weil sich dadurch der Bohrvorgang nicht wunschgemäß beschleunigen läßt. Im Gegenteil: unnötig starke Kraft- oder Druckenwendung auf das Maschinengehäuse führt zu Beschädigung der Bohrspitze, Verminderung der Arbeitseffizienz und Verkürzung der Lebensdauer der Maschine.
- (b) Es kann manchmal vorkommen, daß ein Bohrer kurz vor Abschluß des Bohrvorgangs abbricht. Daher ist es wichtig, den Anpreßdruck zu verringern, wenn sich der Bohrvorgang dem Ende nähert.

VERWENDUNG EINER BOHRKRONE

Bei Verwendung einer Bohrkronen können Löcher mit großem Durchmesser sowie Sacklöcher gebohrt werden. Benutzen Sie in diesem Fall das wahlweise Zubehör für Bohrkronen (wie Zentrierstift und Bohrkronenschaft), um bessere Bohrleistungen zu erzielen.

1. Anbringen

ACHTUNG:

Nehmen Sie vor dem Aufsetzen der Bohrkronen den Stecker aus der Steckdose.

- (1) Bringen Sie die Bohrkronen auf dem Bohrschaft an. (**Abb. 15**)
Vorher für leichte Entfernung Öl auf den Gewindeabschnitt des Bohrkronenzapfens auftragen.
- (2) Bringen Sie den Bohrschalt-Bohrhalter mit Gewindeaufnahme am Bohrhammergehäuse auf die gleiche Weise wie den Bohrer oder Spitzmeißel an. (**Abb. 16**)
- (3) Führen Sie den Zentrierstift in die Führungsplatte bis zum Ende ein.
- (4) Bringen Sie die Führungsplatte durch Ausrichten des konkaven Teils auf die Bohrkronenspitze an. Wenn die Stellung des konkaven Teils durch Drehen der Führungsplatte nach links oder rechts verschoben wird, rutscht die Führungsplatte auch bei nach unten gerichtetem Bohrer nie ab. (**Abb. 17**)

2. Bohren von Löchern

- (1) Stecken Sie den Stecker in die Steckdose.
- (2) Der Zentrierstift ist mit einer Feder ausgerüstet. Durch geradlinig leicht ausgeübten Druck an die Wand oder Bodenfläche kommt die gesamte Spitze der Bohrkronen in Kontakt mit dem zu bohrenden Material. (**Abb. 18**)
- (3) Wenn die Bohrlochtiefe ungefähr 5 mm erreicht, kann die Bohrlochposition bestimmt werden. Nehmen Sie den Zentrierstift und die Führungsplatte von der Bohrkronen ab und setzen Sie die Bohrarbeit fort.

ACHTUNG:

Nehmen Sie beim Abnehmen des Zentrierstiftes und der Führungsplatte den Stecker aus der Steckdose.

3. Abnehmen der Bohrkronen

- Halten Sie den Bohrhämmer (mit eingesetzter Bohrkronen) nach oben zeigend fest und drehen Sie den Bohrhämmer, bis etwa zwei oder drei Schlagtakten wiederholt sind, wodurch sich die Schraube löst und der Bohrer abgenommen werden kann. (Abb. 19)
- Entfernen Sie den Bohrkronenschaft von der Maschine und halten Sie dabei die Bohrkronen mit einer Hand, während Sie den Kopf des SDS-max-Schaftteils des Bohrkronenschaftes mit einem Hammer zwei oder drei Mal kräftig beklopfen, wodurch sich die Rundkopfschraube löst und der Bohrer abgenommen werden kann. (Abb. 20)

SCHMIERFETTWECHSEL

Diese Maschine ist vollkommen luftdicht, um Eintritt von Staub und Fettflecken zu vermeiden. Deshalb kann sie auf lange Zeit ohne Schmierfett gebraucht werden. Zum Schmierfettwechsel wie unten angegeben vorgehen.

1. Wechselzeit

Nach dem Einkauf des Schmierfetts alle 6 Gebrauchsmonate wechseln. Wenden Sie sich an Ihre Hitachi Service Station, um den Fettwechsel auszuführen.

2. Schmierfett auffüllung

ACHTUNG:
Vor der Schmierfettauffüllung die Maschine abschalten und den Netzstecker herausnehmen.

- (1) Die Kurbelabdeckung entfernen und das Schmierfett auf der Innenseite abwischen. (Abb. 21)
- (2) Mit 30 Gramm Hitachi Hammer Schmierfett A (Normal-Zubehör in der Tube) das Kurbelgehäuse versorgen.
- (3) Die Kurbelabdeckung nach dem Nachfüllen von Schmierfett wieder sicher anbringen.

ANMERKUNG:

Das Hitachi Elektro Hammer Schmierfett A ist von niedrigem Flüssigkeitsgrad. Falls notwendig, kaufen Sie eine neue Tube bei Ihrer Hitachi Service Station.

WARTUNG UND INSPEKTION

1. Inspektion des Werkzeugs

Da Gebrauch eines stumpfen Werkzeugs die Leistung vermindert und ein mögliches Versagen des Motors verursacht, ist das Werkzeug zu schleifen oder zu ersetzen, wenn Verschleiß festgestellt wird.

2. Inspektion der Befestigungsschrauben

Alle Befestigungsschrauben werden regelmäßig inspiziert und geprüft, ob sie gut angezogen sind. Wenn sich eine der Schrauben lockert, muß sie sofort wieder angezogen werden. Geschieht das nicht, kann das zu erheblichen Gefahren führen.

3. Wartung des Motors

Die Motorwicklung ist das „HERZ“ des Elektrowerkzeugs. Daher ist besonders sorgfältig darauf zu achten, daß die Wicklung nicht beschädigt wird und/oder mit Öl oder Wasser in Berührung kommt.

4. Inspektion der Kohlebürsten (Abb. 22)

Im Motor sind Kohlebürsten verwendet, die Verbrauchsteile sind. Wenn sich die Bürsten abnutzen

oder der "Verschleißgrenze" nähern, kann es zu Motorstörungen kommen. Wenn der Motor mit einer Auto-Stop Kohlebürste ausgestattet ist, wird er automatisch anhalten. Beide Kohlebürsten sollen dann durch neue ersetzt werden, die dieselbe Bürstennummer tragen, wie auf der Abbildung. Darüber hinaus müssen die Kohlebürsten immer sauber gehalten werden und müssen sich in der Bürstenhalterung frei bewegen können.

5. Wiedereinsetzen der Kohlebürsten

Die Stellschraube lösen und die hintere Abdeckung entfernen. Die Bürstenkappe und die Kohlebürste entfernen. Nach dem Auswechseln der Kohlebürste die Bürstenkappe sicher anziehen und die hintere Abdeckung installieren.

6. Liste der Wartungsteile

ACHTUNG:

Reparatur, Modifikation und Inspektion von Hitachi-Elektrowerkzeugen müssen durch ein autorisiertes Hitachi-Kundendienstzentrum durchgeführt werden. Diese Teileliste ist hilfreich, wenn sie dem autorisierten Hitachi-Kundendienstzentrum zusammen mit dem Werkzeug für Reparatur oder Wartung ausgehändigt wird.

Bei Betrieb und Wartung von Elektrowerkzeugen müssen die Sicherheitsvorschriften und Normen beachtet werden.

MODIFIKATIONEN:

Hitachi-Elektrowerkzeuge werden fortwährend verbessert und modifiziert, um die neuesten technischen Fortschritte einzubauen.

Dementsprechend ist es möglich, daß einige Teile ohne vorherige Benachrichtigung geändert werden.

GARANTIE

Auf Hitachi-Elektrowerkzeuge gewähren wir eine Garantie unter Zugrundelegung der jeweils geltenden gesetzlichen und landesspezifischen Bedingungen. Dieses Garantie erstreckt sich nicht auf Gehäusedefekte und nicht auf Schäden, die auf Missbrauch, bestimmungswidrigen Einsatz oder normalen Verschleiß zurückzuführen sind. Im Schadensfall senden Sie das nicht zerlegte Elektrowerkzeug zusammen mit dem GARANTIESCHEIN, den Sie am Ende der Bedienungsanleitung finden, an ein von Hitachi autorisiertes Servicecenter.

ANMERKUNG:

Aufgrund des ständigen Forschungs- und Entwicklungsprogramms von HITACHI sind Änderungen der hierin gemachten technischen Angaben nicht ausgeschlossen.

Information über Betriebslärm und Vibration

Die gemessenen Werte wurden entsprechend EN60745 bestimmt und in Übereinstimmung mit ISO 4871 ausgewiesen.

Gemessener A-gewichteter Schallpegel: 104 dB (A)

Gemessener A-gewichteter Schalldruck: 93 dB (A)

Messunsicherheit KpA: 3 dB (A)

Bei der Arbeit immer einen Ohrenschutz tragen.

Gesamtvibrationswerte (3-Achsen-Vektorsumme), bestimmt gemäß EN60745.

Schlagbohren in Beton:

Vibrationsemissionswert **a_h, HD** = 8,3 m/s²

Messunsicherheit K = 1,5 m/s²

Äquivalenter Meißelwert:

Vibrationsemissionswert **a_h, Cheq** = 4,6 m/s²

Messunsicherheit K = 1,5 m/s²

WARNUNG

- Der Vibrationsemissionswert während der tatsächlichen Benutzung des Elektrowerkzeugs kann von dem deklarierten Wert abweichen, abhängig davon, wie das Werkzeug verwendet wird.
- Zur Festlegung der Sicherheitsmaßnahmen zum Schutz des Bedieners, die auf einer Expositionseinschätzung unter den tatsächlichen Benutzungsbedingungen beruhen (unter Berücksichtigung aller Bereiche des Betriebszyklus, darunter neben der Triggerzeit auch die Zeiten, in denen das Werkzeug ausgeschaltet ist oder im Leerlaufbetrieb läuft).

**AVERTISSEMENTS DE SÉCURITÉ GÉNÉRAUX
CONCERNANT LES OUTILS ÉLECTRIQUES**

⚠ AVERTISSEMENT

Lire tous les avertissements de sécurité et toutes les instructions.

Tout manquement à observer ces avertissements et instructions peut engendrer des chocs électriques, des incendies et/ou des blessures graves.

Conservez tous les avertissements et toutes les instructions pour vous y référer ultérieurement.

Le terme "outil électrique", utilisé dans les avertissements, se réfère aux outils électriques (câblé) ou aux outils à piles (sans fil).

1) Sécurité sur l'aire de travail

- a) **Maintenir l'aire de travail propre et bien éclairée.**
Les endroits encombrés ou sombres sont propices aux accidents.
- b) **Ne pas utiliser d'outils électriques en présence de liquides, gaz ou poussière inflammables, au risque de provoquer une explosion.**
Les outils électriques créent des étincelles susceptibles d'enflammer la poussière ou les vapeurs.
- c) **Ne pas laisser les enfants et les visiteurs s'approcher de vous lorsque vous utilisez un outil électrique.**
Les distractions peuvent faire perdre le contrôle.

2) Sécurité électrique

- a) **Les prises de l'outil électrique doivent correspondre à la prise secteur.**
Ne jamais modifier la prise.
Ne pas utiliser d'adaptateurs avec les outils électriques mis à la masse.
Les prises non modifiées et les prises secteurs correspondantes réduisent les risques de choc électrique.
- b) **Éviter tout contact avec les surfaces mises à la masse telles que les tuyaux, radiateurs, bandes et réfrigérateurs.**
Le risque de choc électrique est accru en cas de mise à la masse du corps.
- c) **Ne pas exposer les outils électriques à la pluie ou à des conditions humides.**
Si l'eau pénètre dans l'outil, cela augmente les risques de choc électrique.
- d) **Ne pas utiliser le cordon à tort. Ne jamais utiliser le cordon pour transporter ou débrancher l'outil électrique.**
Maintenir le cordon loin de la chaleur, de l'huile, des bords pointus ou des pièces mobiles.
Les cordons endommagés ou usés augmentent les risques de choc électrique.
- e) **En cas d'utilisation d'un outil électrique à l'extérieur, utiliser un cordon de rallonge adapté à un usage extérieur.**
L'utilisation d'un cordon adapté à l'usage extérieur réduit les risques de choc électrique.
- f) **Si vous devez utiliser un outil électrique dans un endroit humide, utilisez une alimentation protégée contre les courants résiduels.**
L'utilisation d'un dispositif de protection contre les courants résiduels réduit le risque de choc électrique.

3) Sécurité personnelle

- a) **Restez alerte, regarder ce que vous faites et usez de votre bon sens en utilisant un outil électrique.**
Ne pas utiliser d'outil électrique si vous êtes sous l'influence de drogues, d'alcool ou de médicaments.

Pendant l'utilisation d'outils électrique, un instant d'inattention peut entraîner des blessures graves.

- b) **Utiliser un équipement de protection individuelle. Toujours porter des verres de protection.**
L'utilisation d'équipements de protection tels que les masques anti-poussière, les chaussures de sécurité anti-dérapantes, les casques ou les protections auditives dans des conditions appropriées réduisent les risques de blessures.
 - c) **Empêcher les démarrages intempestifs. Veiller à ce que l'interrupteur soit en position d'arrêt avant de brancher à une source d'alimentation et/ou une batterie, de ramasser l'outil au sol ou de le transporter.**
Transporter les outils électriques avec le doigt sur l'interrupteur ou brancher les outils électriques avec l'interrupteur en position de marche peut entraîner des accidents.
 - d) **Retirer toute clé de sécurité ou clé avant de mettre l'outil électrique en marche.**
Laisser une clé ou une clé de sécurité sur une partie mobile de l'outil électrique peut engendrer des blessures.
 - e) **Ne pas trop se pencher. Toujours garder une bonne assise et un bon équilibre pendant le travail.**
Cela permet un meilleur contrôle de l'outil électrique dans des situations imprévisibles.
 - f) **Porter des vêtements adéquats. Ne pas porter de vêtements amples ni de bijoux. Maintenir les cheveux, les vêtements et les gants loin des pièces mobiles.**
Les vêtements amples ou les cheveux longs peuvent se prendre dans les pièces mobiles.
 - g) **En cas de dispositifs destinés au raccordement d'installations d'extraction et de recueil de la poussière, veiller à ce qu'ils soient correctement raccordés et utilisés.**
L'utilisation d'un dispositif de collecte de la poussière peut réduire les dangers associés à la poussière.
- 4) Utilisation et entretien d'un outil électrique**
- a) **Ne pas forcer sur l'outil électrique. Utiliser l'outil électrique adapté à vos travaux.**
Le bon outil électrique fera le travail mieux et en toute sécurité au régime pour lequel il a été conçu.
 - b) **Ne pas utiliser l'outil électrique si l'interrupteur ne le met pas en position de marche et d'arrêt.**
Tout outil ne pouvant être contrôlé par l'interrupteur est dangereux et doit être réparé.
 - c) **Débrancher la prise et/ou la batterie avant de procéder à des réglages, au remplacement des accessoires ou au stockage des outils électriques.**
Ces mesures préventives de sécurité réduisent les risques de démarrage accidentel de l'outil électrique.
 - d) **Stockez les outils électriques inutilisés hors de la portée des enfants et ne pas laisser des personnes non familiarisées avec l'outil ou ces instructions utiliser l'outil électrique.**
Les outils électriques sont dangereux entre les mains d'utilisateurs non habilités.
 - e) **Entretien des outils électriques. Vérifier l'absence de mauvais alignement ou d'arrêt, d'endommagement de pièces ou toute autre condition susceptible d'affecter l'opération de l'outil.**
Si l'outil est endommagé, le faire réparer avant utilisation.
De nombreux accidents sont dus à des outils mal entretenus.

- f) **Maintenir les outils coupants aiguisés et propres.**
Des outils coupants bien entretenus avec des bords aiguisés sont moins susceptibles de se coincer et plus simples à contrôler.
- g) **Utiliser l'outil électrique, les accessoires et les mèches de l'outil, etc. conformément à ces instructions en tenant compte des conditions d'utilisation et du travail à réaliser.**
L'utilisation de l'outil électrique pour des opérations différentes de celles pour lesquelles il a été conçu est dangereuse.

5) Service

- a) **Faire entretenir l'outil électrique par un technicien habilité à l'aide de pièces de rechange identiques exclusivement.**
Cela garantira le maintien de la sécurité de l'outil électrique.

PRECAUTIONS

Maintenir les enfants et les personnes infirmes éloignés. Lorsque les outils ne sont pas utilisés, ils doivent être rangés hors de portée des enfants et des personnes infirmes.

MESURES DE SÉCURITÉ DU MARTEAU PERFORATEUR

1. **Portez des protecteurs**
L'exposition au bruit peut engendrer une perte de l'audition.
2. **Utilisez les poignées auxiliaires fournies avec l'outil.**
Toute perte de contrôle peut entraîner des blessures.
3. **Ne pas toucher le foret pendant ou immédiatement après le fonctionnement.** Il devient très chaud et peut causer des brûlures.
4. **Avant de briser, découper ou percer un mur, le plancher ou le plafond, s'assurer qu'aucun câble électrique ou conduit n'y soit noyé.**
5. **Maintenir toujours fermement la poignée principale et la poignée latérale de la machine.** Dans le cas contraire, la force de recul peut amoindrir la précision de travail et présenter aussi quelque danger.
6. **Portez un masque anti-poussière**
N'inhaliez pas les poussières nocives générées par le perçage ou le sous-solage. La poussière peut nuire à votre santé ou à celle de votre entourage.

CARACTERISTIQUES

Tension (par zone)*	(110V, 115V, 120V, 127V, 220V, 230V, 240V) ~
Entrée	950 W*
Capacité	Mèche : 40 mm Couronne : 105 mm
Vitesse sans charge	240 – 480 min ⁻¹
Vitesse de percussion pleine charge	1320 – 2650 min ⁻¹
Poids (sans cordon ni poignée latérale)	6,8 kg

*Assurez-vous de vérifier la plaque signalétique sur le produit, car elle peut changer suivant les zones.

ACCESSOIRES STANDARD

- (1) Boîtier 1
 - (2) Poignée latérale 1
 - (3) Quenouille 1
 - (4) Graisse A pour marteau 1
- Les accessoires à option sont sujets à changement sans préavis.

ACCESSOIRES EN OPTION (vendus séparément)

- 1. Perçage de trous de passage (Rotation + Percussion)

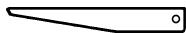


(1) Mèche (Tige SDS max)

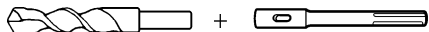
Diamètre extérieur (mm)	Longueur totale (mm)
16	340, 540
19	
22	320, 520
25	
28	370, 570
32	
38	
40	

2. Perçage de trous d'ancrage (Rotation + Percussion)

Mèche (queue conique)



(3) Clavette



(1) Mèche (queue conique)
dia. ext. : 11, 12,3, 12,7, 14,3, 14,5, 17,5 mm

(2) Raccord de queue conique
(Tige SDS max)

Raccord de queue conique	Mèche applicable
Mèche Morse (No. 1)	Mèche (queue conique) 11, 12,3, 12,7, 14,3, 14,5, 17,5 mm

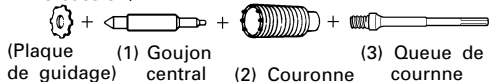
Adaptateur pour tige SDS plus



(1) Mèche (Tige SDS plus)

(2) Adaptateur pour tige SDS plus
(Tige SDS max)

3. Perçage de trous à large diamètre (Rotation + Percussion)



(Plaque de guidage) (1) Goujon central

(2) Couronne (3) Queue de couronne

(1) Goujon central

- Appliqué à couronnes 38 mm ~ 105 mm
- Appliqué à couronnes 32 mm et 35 mm

REMARQUE :

Ne pas utiliser de couronnes 25 mm et 29 mm

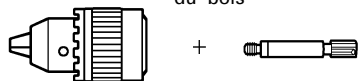
(2) Couronne

- Dia. ext. 25, 29, 32, 35, 38, 45, 54, 64, 79, 94, 105 mm (avec plaque de guidage pas applicable à couronne 25 mm et 29 mm)

(3) Queue de couronne

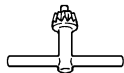
- Appliqué à couronnes de plus de 38 mm
- Appliqué à couronnes de moins de 35 mm

4. Perçage de trous Pour perçage des métaux et du bois



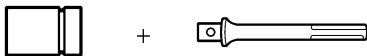
13 mm mandrin porte-foret (13VLA)

Raccord de mandrin (Tige SDS max)



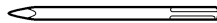
Clé de mandrin

5. Mise en place du boulon pour d'ancrage chimique (Rotation + Percussion)



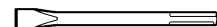
(Douille standard en vente dans le commerce) + (Tige SDS max)
Raccord d'ancrage chimique 12,7 mm
Raccord d'ancrage chimique 19 mm

6. Broyage (Percussion)



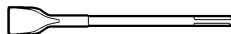
(1) Point de broyage
Longueur totale : 280, 400 mm

7. Creusage de rainures et cassure des angles (Percussion)



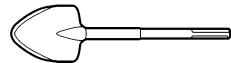
(1) Ciseau à froid
Longueur totale : 280, 400 mm

8. Coupage d'asphalte (Percussion)



(1) Fraise

9. Puisage (Percussion)



(1) Scoop

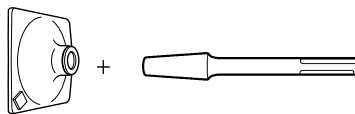
10. Dégrossissage (Percussion)



(1) Boucharde

(2) Queue

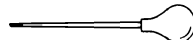
11. Bourrage (Percussion)



(1) Bourroir
150 x 150 mm

(2) Queue

12. Seringue (pour enlever déchets)



- Graisse A pour marteau
500 g (en boîte)
70 g (en tube vert)
30 g (en tube vert)

Les accessoires en option sont sujets à changement sans préavis.

APPLICATIONS

- Perçage de trous dans béton
- Perçage de trous d'ancrage
- Broyage du béton, burinage, creusage, et équarrissage application des accessoires sur option)

AVANT LA MISE EN MARCHÉ

1. Source de puissance

S'assurer que la source de puissance à utiliser correspond à la puissance indiquée sur la plaque signalétique de produit.

2. Interrupteur de puissance

S'assurer que l'interrupteur de puissance est en position ARRET. Si la fiche est branchée alors que l'interrupteur est sur MARCHÉ, l'outil démarre immédiatement et peut provoquer un grave accident.

3. Fil de rallonge

Lorsque la zone de travail est éloignée de la source de puissance, utiliser un fil de rallonge d'une épaisseur suffisante et d'une capacité nominale suffisante. Le fil de rallonge doit être aussi court que possible.

4. Comment installer l'outil

REMARQUE :

Pour les outils tels que pointe de broyage et ciseau à froid n'utiliser que les pièces Hitachi authentiques.

- (1) Nettoyer, puis graisser la queue de l'outil avec la graisse fournie à cet effet en tube vert (Fig. 1)
 - (2) Pour fixer l'outil (tige SDS max), l'insérer dans l'orifice jusqu'à ce qu'il touche l'extrémité intérieure de l'orifice comme indiqué sur la Fig. 2.
Si l'on continue à tourner l'outil en exerçant une légère pression, l'on sentira un endroit où il y a un obstacle. A cet endroit, tirer l'attache coulissante dans le sens de la flèche et insérer l'outil à fond jusqu'à ce qu'il touche l'extrémité intérieure.
Le fait de relâcher l'attache coulissante l'inverse et fixe l'outil en place.
 - (3) Tirer sur l'outil pour s'assurer qu'il est bien verrouillé à fond.
 - (4) Pour retirer l'outil, tirer complètement l'attache coulissante dans le sens de la flèche et sortir l'outil.
- ### 5. Réglage du nombre de rotations et de percussion (Fig. 3)

Ce marteau perforateur est équipé d'un circuit de commande électronique incorporé capable d'ajuster et de réguler le nombre de rotations et la fréquence de percussion. Pour l'utiliser, régler la bague en fonction du travail, par exemple perçage d'orifices dans des matériaux fragiles, burinage, centrage, etc.

La graduation "1" de la bague représente la vitesse minimum, avec 240 rotations par minute et 1320 percussions par minute. La graduation "6" de la bague représente la vitesse minimum, avec 480 rotations par minute et 2650 percussions par minute.

ATTENTION :

Ne pas régler la bague pendant le fonctionnement. Cela pourrait provoquer des blessures du fait que le marteau perforateur n'est plus tenu que d'une seule main, ce qui empêche un contrôle solide du marteau perforateur.

UTILISATION

1. Comment percer des trous (Fig. 4)

- (1) Tirer l'interrupteur après avoir appliqué la pointe de la mèche à la position de forage.
- (2) Il n'est pas nécessaire d'appuyer de force sur le

corps du marteau perforateur. Il sera suffisant d'appuyer légèrement sur le percussion jusqu'à ce que les éclats soient déchargés librement.

ATTENTION :

Bien que cette machine soit équipée d'un cran de sécurité, si la mèche est prise dans le béton ou autre matériel l'arrêt de son fonctionnement pourrait faire tourner le corps de la machine. Tenir fermement la poignée principale et la poignée latérale pendant le fonctionnement.


2. Comment buriner ou broyer (Fig. 5)

En appliquant la pointe de la mèche sur la position de burinage ou de broyage, faire fonctionner le marteau perforateur en utilisant son propre poids. Il n'est pas nécessaire d'appuyer ou de pousser de force.

3. Perçage en "rotation + percussion" :

ATTENTION :

Si l'on règle le sélecteur pendant la rotation du moteur, l'outil risque de se mettre brusquement en marche et de provoquer des blessures inattendues. Bien régler le sélecteur lorsque le moteur est à l'arrêt complet.


- (1) Commutation sur "rotation + percussion"
 - (a) Appuyer sur le bouton, libérer le verrou et tourner le levier de sélection dans le sens des aiguilles d'une montre.
 - (b) Aligner ▲ du levier de sélection sur  du support de levier comme indiqué sur la Fig. 6.
 - (c) Relâcher le bouton pour verrouiller le levier de sélection.

REMARQUE :

Tourner le levier de sélection (ne pas appuyer sur le bouton) pour vérifier qu'il est bien verrouillé à fond et s'assurer qu'il ne tourne pas.


4. Copeaux et découpures en "percussion" :

ATTENTION :

- Si l'on règle le sélecteur pendant la rotation du moteur, l'outil risque de se mettre brusquement en marche et de provoquer des blessures inattendues. Bien régler le sélecteur lorsque le moteur est à l'arrêt complet.
 - Si l'on utilise une pointe à béton ou un ciseau à froid sur la position "rotation + percussion", l'outil risque de se mettre brusquement en marche et de provoquer des blessures inattendues. Bien veiller à les utiliser sur la position "percussion".
- (1) Commutation sur "percussion"
 - (a) Appuyer sur le bouton, libérer le verrou et tourner le levier de sélection dans le sens inverse des aiguilles d'une montre.
 - (b) Aligner ▲ du levier de sélection sur  du support de levier comme indiqué sur la Fig. 7.
 - (c) Relâcher le bouton pour verrouiller le levier de sélection.

REMARQUE :

Tourner le levier de sélection (ne pas appuyer sur le bouton) pour vérifier qu'il est bien verrouillé à fond et s'assurer qu'il ne tourne pas.

- (2) Pour fixer la position de travail d'outils tels que ciseau à froid, etc.,
 - (a) Appuyer sur le bouton, libérer le verrou et tourner le levier de sélection dans le sens inverse des aiguilles d'une montre.
Aligner ▲ du levier de sélection sur  du support de levier comme indiqué sur la Fig. 8.

- (b) Relâcher le bouton pour verrouiller le levier de sélection.
- (c) Tourner l'attache coulissante comme indiqué à la **Fig. 9** et fixer dans le sens de travail voulu.
- (d) Commuter le sélecteur sur "Percussion" en procédant comme indiqué au point (1) ci-dessus et fixer la position de l'outil.

5. Installer la quenouille (Fig. 10)

- (1) Desserrer la poignée latérale et insérer la partie droite de la quenouille dans le trou du boulon de la poignée.
- (2) Déplacer la quenouille à la position spécifiée et faire tourner l'attache coulissante de la poignée latérale dans le sens des aiguilles d'une montre pour fixer la quenouille.

6. Préchauffage (Fig. 11)

Le système de graissage de l'outil risque de devoir être préchauffé dans les régions froides.

Placer l'extrémité de la mèche de façon qu'elle entre en contact avec le béton, enclencher l'interrupteur et effectuer une opération de préchauffage. Bien s'assurer que l'outil fait entendre un bruit de heurt, puis utiliser l'outil.

ATTENTION:

Pendant l'opération de préchauffage, tenir fermement la poignée latérale et le corps de l'outil des deux mains de façon à garder une bonne prise de l'outil et faire attention que le corps de l'opérateur ne pivote pas sans l'effet d'une mèche coincée.

TRAVAUX DE PERÇAGE ET D'ENFONCEMENT POUR ANCRES AUTO-PERCEURS

1. Lors de l'utilisation du raccord pour queue conique. (Fig. 12)

- (1) Installer la mèche avec la queue conique dans le raccord pour queue conique.
- (2) Mettre l'outil en marche et percer un trou de base jusqu'à la profondeur indiquée par la rainure indicatrice de la mèche.
- (3) Après avoir chassé les déchets avec une seringue, fixer le bouchon à la pointe de l'ancre et enfoncer l'ancre avec un marteau ordinaire.
- (4) Pour retirer la mèche (queue conique), introduire la clavette dans la fente du raccord de queue conique et frapper la tête de la clavette avec un marteau alors que le perceuse est placée sur le support. (Fig. 13)

UTILISATION DU MANDRIN PORTE-FORET ET DU RACCORD DE MANDRIN

Noter que l'appareil peut fonctionner en "rotation seulement" si l'on y monte des pièces vendues séparément, par exemple mandrin porte-foret et raccord de mandrin. L'utiliser avec le levier sur la position "rotation + percussion".

ATTENTION :

Pendant le fonctionnement, bien tenir la poignée et la poignée latérale pour éviter que le corps de l'opérateur n'oscille.

- (1) Commutation sur "rotation + percussion" Pour commuter sur "rotation + percussion", procéder comme indiqué au point [3. Perçage en "rotation + percussion"].

(2) Fixation du raccord de mandrin sur le mandrin porte-foret (Fig. 14)

- (a) Fixer le raccord de mandrin sur le mandrin porte-foret.
- (b) La tige SDS max du raccord de mandrin est l'équivalent du foret de perçage. En conséquence, pour la fixation et le retrait, procéder comme indiqué au point [Comment installer l'outil].

(3) Perçage

- (a) Le perçage ne s'effectuera pas plus rapidement si l'on exerce une pression plus forte que nécessaire sur le corps de l'outil. Au contraire, le fait d'appuyer plus fort ou d'exercer une plus forte pression sur le corps de l'outil ne peut qu'endommager le foret de perçage, réduisant le rendement et la durée de service de l'outil.
- (b) Il peut arriver que le foret se rompe lorsqu'il est presque terminé. Il est important de relâcher la pression de la poussée lorsqu'on arrive vers la fin du perçage.

UTILISATION DE LA COURONNE

Si la couronne est usée, il peut en résulter un perçage de trous trop larges ou de trous borgnes. Dans ce cas utiliser les accessoires sur option pour couronne (tels que goujon central et queue de couronne) pour pouvoir effectuer un travail rationnel.

1. Montage

ATTENTION :

Avant de monter une couronne, débrancher toujours l'outil de la prise de courant.

- (1) Monter la couronne sur la queue de couronne. (Fig. 15) Mais avant de la faire, graisser la vis de la queue de couronne pour assurer un démontage facile.
- (2) Monter la queue de couronne sur le corps du marteau perforateur de la même façon que pour la mèche et la pointe de broyage. (Fig. 16)
- (3) Insérer le goujon central dans la plaque de guidage jusqu'à ce qu'il atteigne l'extrémité.
- (4) Installer la plaque de guidage en alignant sa partie concave avec le bout de la couronne. Quand la position de la partie concave est décalée en tournant la plaque de guidage vers la droite ou vers la gauche, la plaque de guidage ne glisse jamais même quand l'outil est utilisé en le maintenant vers le bas. (Fig. 17)

2. Perçage des trous

- (1) Brancher l'outil à la prise de courant.
- (2) Un ressort est incorporé dans le goujon central. En l'appuyant doucement et tout droit au mur ou à la surface du sol, la surface entière du bout de couronne est en contact pour commencer le travail de perçage de trous. (Fig. 18)

- (3) Quand la profondeur du trou atteint environ 5 mm, la position du trou peut être déterminée. Enlever alors le goujon central et la plaque de guidage de la couronne et continuer le travail de perçage de trous.

ATTENTION :

Quand vous enlevez le goujon central et la plaque de guidage, débranchez toujours l'outil de la prise de courant.

3. Comment démonter la couronne

- En maintenant le marteau perforateur (avec la couronne insérée) vers le haut, le faire marcher pour répéter le travail de percussion deux ou trois fois; cette opération desserrera la vis et le marteau perforateur sera prêt à être démonté. (Fig. 19)
- Enlever la queue de couronne du marteau perforateur, maintenir la couronne d'une main, et frapper fortement sur la tête de la partie de la tige SDS plus de la queue de couronne avec un marteau manuel deux ou trois fois, ce qui desserrera la vis à tête ronde et le marteau perforateur sera prêt à être démonté. (Fig. 20)

COMMENT REMPLACER LA GRAISSE

Cette machine est de construction entièrement hermétique pour la protéger contre la poussière et pour éviter les fuites de lubrifiant. Elle peut donc être utilisée sans lubrification pendant longtemps. Remplacer la graisse comme indiqué ci-dessous.

1. Période de remplacement

Remplacer la graisse après chaque période de 6 mois d'utilisation. Se procurer la graisse chez l'Agence de Service Autorisée Hitachi la plus proche. Procéder au remplacement.

2. Plein de graisse

ATTENTION :

Avant de faire le plein de la graisse, fermer l'interrupteur et débrancher l'outil de la prise de courant.

- (1) Enlever le couvercle du carter et essuyer la graisse à l'intérieur. (Fig. 21)
- (2) Appliquer 30 g de graisse pour marteau électrique Hitachi A (en tube) au carter.
- (3) Après avoir fait le plein de graisse, installer fermement le couvercle du carter.

REMARQUE :

La graisse pour marteau électrique Hitachi A est du type à viscosité faible. Si nécessaire, se procurer la graisse chez un agent réparateur Hitachi agréé ; adressez-vous à votre Agent de Service Autorisé Hitachi pour vous en procurer de nouveau.

ENTRETIEN ET INSPECTION

1. Inspection de l'outil

Etant donné que l'utilisation d'un outil émoussé réduira le rendement et provoquera éventuellement un mauvais fonctionnement du moteur, aiguiser ou remplacer l'outil dès qu'une abrasion apparaît.

2. Contrôle des vis de montage

Vérifier régulièrement les vis de montage et s'assurer qu'elles sont correctement serrées. Resserrer immédiatement toute vis desserrée. Sinon, il y a danger sérieux.

3. Entretien du moteur

Le bobinage de l'ensemble moteur est le "cœur" même de l'outil électro-portatif. Veiller soigneusement à ce que ce bobinage ne soit pas endommagé et/ou mouillé par de l'huile ou de l'eau.

4. Contrôle des balais en carbone (Fig. 22)

Le moteur utilise des balais en carbone qui sont des pièces qui s'usent. Quand ils sont usés ou près de la "limite d'usure", il pourra en résulter un

mauvais fonctionnement du moteur.

Quand le moteur est équipé d'un balai en carbone à arrêt automatique, il s'arrêtera automatiquement. Remplacez alors les balais en carbone par des nouveaux et ayant les mêmes numéros que ceux montrés sur la figure. En outre, toujours tenir les balais propres et veiller à ce qu'ils coulissent librement dans les supports.

5. Remplacement du balais en carbone

Desserrer la vis de fixation et enlever le couvercle de la queue. Enlever le chapeau de balai et le balai en carbone. Après avoir remplacé le balai en carbone, serrer fermement le chapeau du balai et installer le couvercle avec deux vis de fixation.

6. Liste des pièces de rechange

ATTENTION :

Les réparations, modifications et inspections des outils électriques Hitachi doivent être confiées à un service après-vente Hitachi agréé.

Il sera utile de présenter cette liste de pièces au service après-vente Hitachi agréé lorsqu'on apporte un outil nécessitant des réparations ou tout autre entretien.

Lors de l'utilisation et de l'entretien d'un outil électrique, respecter les règlements et les normes de sécurité en vigueur dans le pays en question.

MODIFICATIONS :

Les outils électriques Hitachi sont constamment améliorés et modifiés afin d'incorporer les tous derniers progrès technologiques.

En conséquence, il est possible que certaines pièces soient modifiées sans avis préalable.

GARANTIE

Nous garantissons que l'ensemble des Outils électriques Hitachi sont conformes aux réglementations spécifiques statutaires/nationales. Cette garantie ne couvre pas les défauts ni les dommages inhérents à une mauvaise utilisation, une utilisation abusive ou l'usure et les dommages normaux. En cas de réclamation, veuillez envoyer l'Outil électrique, en l'état, accompagné du CERTIFICAT DE GARANTIE qui se trouve à la fin du Mode d'emploi, dans un service d'entretien autorisé.

REMARQUE :

Par suite du programme permanent de recherche et de développement HITACHI, ces spécifications peuvent faire l'objet de modifications sans avis préalable.

Au sujet du bruit et des vibrations

Les valeurs mesurées ont été déterminées en fonction de la norme EN60745 et déclarées conforme à ISO 4871.

Niveau de puissance sonore pondérée A: 104 dB (A)
Niveau de pression acoustique pondérée A: 93 dB (A)
Incertitude KpA: 3 dB (A)

Porter un casque de protection.

Valeurs totales des vibration (somme vectorielle triaxiale) déterminée conformément à EN60745.

Forage du béton:
Valeur d'émission de vibration **a_h**, **HD** = 8,3 m/s²
Incertitude K = 1,5 m/s²

Valeur équivalente de perçage:
Valeur d'émission de vibration **a_h**, **Cheq** = 4,6 m/s²
Incertitude K = 1,5 m/s²

AVERTISSEMENT

- La valeur d'émission de vibration en fonctionnement de l'outil électrique peut être différente de la valeur déclarée, en fonction des utilisations de l'outil.
- Pour identifier les mesures de protection de l'utilisateur fondées sur une estimation de l'exposition en conditions d'utilisation (tenant compte de tous les aspects du cycle d'utilisation, tels que les moments où l'outil est mis hors tension ou lorsqu'il tourne à vide en plus des temps de déclenchements)

AVVERTIMENTI GENERALI DI SICUREZZA SUGLI UTENSILI ELETTRICI

⚠ AVVERTENZA

Leggere tutti gli avvertimenti di sicurezza e tutte le istruzioni.

La mancata osservanza degli avvertimenti e delle istruzioni potrebbe essere causa di scosse elettriche, incendi e/o gravi lesioni.

Salvare tutti gli avvertimenti e le istruzioni per riferimenti futuri.

Il termine "elettroutensili" riportato nelle avvertenze si riferisce agli elettroutensili azionati con alimentazione di rete (via cavi) o a batterie (senza cavi).

1) Sicurezza dell'area operativa

- Mantenere l'area operativa pulita e ordinata.**
Aree operative sporche o disordinate possono favorire gli infortuni.
- Non utilizzare gli elettroutensili in atmosfere esplosive, ad es. in presenza di liquidi, gas o polveri infiammabili.**
Gli elettroutensili generano delle scintille che potrebbero accendere la polvere o i fumi.
- Tenere lontani bambini e astanti durante l'utilizzo degli elettroutensili.**
Qualsiasi distrazione può essere causa di perdita di controllo.

2) Sicurezza elettrica

- Le spine degli elettroutensili devono essere idonee alle prese disponibili.**
Non modificare mai le prese.
Con gli elettroutensili a massa (messi a terra), non utilizzare alcun adattatore.
L'utilizzo di spine intatte e corrispondenti alle prese disponibili ridurrà il rischio di scosse elettriche.
- Evitare qualsiasi contatto con le superfici a massa o a terra, quali tubi, radiatori, fornelli e frigoriferi.**
In caso di messa a terra o massa del corpo, sussiste un maggior rischio di scosse elettriche.
- Non esporre gli elettroutensili alla pioggia o all'umidità.**
La penetrazione di acqua negli elettroutensili aumenterà il rischio di scosse elettriche.
- Non tirare il cavo. Non utilizzarlo per il trasporto, o per tirare o scollegare l'elettroutensile.**
Tenere il cavo lontano da fonti di calore, oli, bordi appuntiti o parti in movimento.
Cavi danneggiati o attorcigliati possono aumentare il rischio di scosse elettriche.
- Durante l'uso degli elettroutensili all'esterno, utilizzare una prolunga idonea per usi esterni.**
L'utilizzo di cavi per esterno riduce il rischio di scosse elettriche.
- Se è impossibile evitare l'impiego di un utensile elettrico in un luogo umido, utilizzare l'alimentazione protetta da un dispositivo a corrente residua (RCD).**
L'uso di un RCD riduce il rischio di scosse elettriche.

3) Sicurezza personale

- Durante l'uso degli elettroutensili, state all'erta, verificate ciò che state eseguendo e adottate sempre il buon senso.**
Non utilizzate gli elettroutensili qualora siate stanchi, sotto l'influenza di farmaci, alcol o cure mediche.
Anche un attimo di disattenzione durante l'uso degli elettroutensili potrebbe essere causa di gravi lesioni personali.

- Indossate l'attrezzatura di protezione personale. Indossate sempre le protezioni oculari.**
L'attrezzatura protettiva, quali maschera facciale, calzature antiscivolo, caschi o protezioni oculari ridurrà il rischio di lesioni personali.
 - Impedite le accensioni involontarie. Prima del collegamento a una sorgente di alimentazione e/o pacco batteria e prima di raccogliere o trasportare l'utensile, verificate che l'interruttore sia posizionato su OFF.**
Il trasporto degli elettroutensili tenendo le dita sull'interruttore o l'attivazione elettrica degli utensile che hanno l'interruttore su ON, implica il rischio di incidenti.
 - Prima di attivare l'elettroutensile, rimuovete qualsiasi chiave di regolazione.**
Lasciando la chiave in un componente in rotazione dell'elettroutensile, sussiste il rischio di lesioni personali.
 - Mantenersi in equilibrio. Mantenersi sempre su due piedi, in equilibrio stabile.**
Ciò consente di controllare al meglio l'elettroutensile in caso di situazioni impreviste.
 - Vestirsi in modo adeguato. Non indossare abiti larghi o gioielli. Tenere i capelli, gli abiti e i guanti lontano dalle parti in movimento.**
Abiti allentati, gioielli e capelli lunghi potrebbero impigliarsi nelle parti in movimento.
 - In caso di dispositivi provvisti di collegamento ad apparecchiature di rimozione e raccolta polveri, verificare che queste siano collegate e utilizzate in modo adeguato.**
L'utilizzo della raccolta della polvere può ridurre i rischi connessi alle polveri.
- #### 4) Utilizzo e manutenzione degli elettroutensili
- Non utilizzare elettroutensili non idonei. Utilizzare l'elettroutensile idoneo alla propria applicazione.**
Utilizzando l'elettroutensile corretto, si garantirà un'esecuzione migliore e più sicura del lavoro, alla velocità di progetto.
 - Non utilizzare l'elettroutensile qualora non sia possibile accenderlo/spengerlo tramite l'interruttore.**
È pericoloso utilizzare elettroutensili che non possano essere azionati dall'interruttore. Provvedere alla relativa riparazione.
 - Prima di effettuare qualsiasi regolazione, sostituire gli accessori o depositare gli elettroutensili, scollegare la spina dalla presa elettrica e/o il pacco batteria dall'utensile elettrico.**
Queste misure di sicurezza preventive riducono il rischio di avvio involontario dell'elettroutensile.
 - Depositare gli elettroutensili non utilizzati lontano dalla portata dei bambini ed evitare che persone non esperte di elettroutensili o non a conoscenza di quanto riportato sulle presenti istruzioni azionino l'elettroutensile.**
È pericoloso consentire che utenti non esperti utilizzino gli elettroutensili.
 - Manutenzione degli elettroutensili. Verificare che non vi siano componenti in movimento disallineati o bloccati, componenti rotti o altre condizioni che potrebbero influenzare negativamente il funzionamento dell'elettroutensile.**
In caso di guasti, provvedere alla riparazione dell'elettroutensile prima di riutilizzarlo.
Molti incidenti sono causati da una scarsa manutenzione.

f) **Mantenere gli strumenti di taglio affilati e puliti.**
Gli strumenti di taglio in condizioni di manutenzione adeguata, con bordi affilati, sono meno soggetti al bloccaggio e sono più facilmente controllabili.

g) **Utilizzare l'elettrotensile, gli accessori, le barrette, ecc. in conformità a quanto riportato nelle presenti istruzioni, tenendo in debita considerazione le condizioni operative e il tipo di lavoro da eseguire.**

L'uso dell'utensile elettrico per operazioni diverse da quelle previste potrebbe causare una situazione pericolosa.

5) Assistenza

a) **Affidate le riparazioni dell'elettrotensile a persone qualificate che utilizzino solamente parti di ricambio identiche.**

Ciò garantirà il mantenimento della sicurezza dell'elettrotensile.

PRECAUZIONI

Tenere lontano dalla portata di bambini e invalidi.

Quando non utilizzati, gli strumenti dovranno essere depositi lontano dalla portata di bambini e invalidi.

AVVERTIMENTI DI SICUREZZA DEL TRAPANO A PERCUSSIONE

- 1. Indossare protettori per le orecchie**
L'esposizione al rumore può causare la perdita dell'udito.
- 2. Utilizzare le leve ausiliarie fornite con l'utensile.**
La perdita di controllo può causare lesioni alla persona.
- 3. Subito dopo aver adoperato l'attrezzo o durante le operazioni non toccare mai la punta.** Questa diventa molto calda durante il funzionamento e potrebbe causare ustioni.
- 4. Prima di iniziare a penetrare, frantumare o perforare un muro, pavimento o soffitto, accertarsi con sicurezza che oggetti come cavi e condotte non siano murati in essi.**
- 5. Impugnare sempre saldamente il corpo e l'impugnatura dell'utensile, per evitare che la forza di controeazione produca un lavoro impreciso e persino pericoloso.**
- 6. Indossare una maschera di protezione per la polvere**
Non inalare le polveri dannose generate durante l'operazione di trapanatura o di cesellatura. La polvere può mettere a rischio la vostra salute e quella di coloro che vi stanno attorno.

CARATTERISTICHE

Voltaggio (per zona)*	(110V, 115V, 120V, 127V, 220V, 230V, 240V) ~
Potenza assorbita	950 W*
Capacità	Punta del trapano: 40 mm Corona: 105 mm
Velocità senza carico	240 – 480 min ⁻¹
Frequenza d'impatto a pieno carico	1320 – 2650 min ⁻¹
Peso (senza cavo e impugnatura laterale)	6,8 kg

* Accertatevi di aver controllato bene la piastrina perché essa varia da zona a zona.

ACCESSORI STANDARD

- (1) Scatola 1
 - (2) Impugnatura laterale 1
 - (3) Asta d'arresto 1
 - (4) Grasso A per martello 1
- Gli accessori standard possono essere modificati senza preavviso.

ACCESSORI DISPONIBILI A RICHIESTA (venduti separatamente)

- Forature passanti (Rotazione Martellamento)

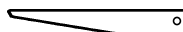


- Punta del trapano (gambo SDS max)

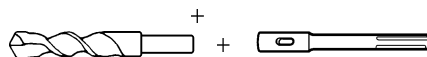
Diametro esterno (mm)	Lunghezza totale (mm)
16	340, 540
19	
22	320, 520
25	
28	370, 570
32	
38	
40	

- Forature ad ancoraggio (Rotazione + Martellamento)

Punta del trapano (gambo conico)



- Chiavetta trasversale



- (1) Punta del trapano (gambo conico)
 Diametro esterno:
 11, 12,3, 12,7, 14,3,
 14,5, 17,5 mm
- (2) Adattatore del gambo conico
 (gambo SDS max)

Adattatore del gambo conico	Punta usabile
Conicità Morse (No. 1)	Punta (gambo conico) 11, 12,3, 12,7, 14,3, 14,5, 17,5 mm

Adattatore per punta a gambo SDS plus



- (1) Punta del trapano (Asta SDS Plus)
- (2) Adattatore per punta a gambo SDS plus (gambo SDS max)

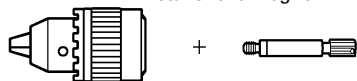
3. Alesatura dei fori a largo diametro (Rotazione + Martellamento)



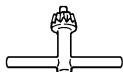
- (1) Perno ralla (Piastra di guida)
- (2) Corona
- (3) Albero della corona

- (1) Perno ralla
- Applicato a corone 38 mm ~ 105 mm
 - Applicato a corone 32 mm e 35 mm
- NOTA:**
 Non usare corone de 25 e 29 mm.
- (2) Corona
- Diametro esterno 25, 29, 32, 35, 38, 45, 54, 64, 79, 94, 105 mm (con piastre di guida non applicabili a corone da 25, 29 mm)
- (3) Albero della corona
- Applicato a corone maggiori di 38 mm
 - Applicato a corone minori di 35 mm

4. Foratura Per la perforazione di materiali di metallo o di legno

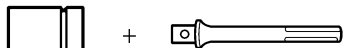


- 13 mm mandrino (13VLA)
- Adattatore per mandrino (gambo SDS max)



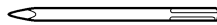
Chiave per mandrino

5. Operazioni di perforazione dell'ancoraggio chimico (Rotazione + Martellamento)



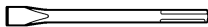
- (Prese sul mercato)
- Adattatore dell'ancoraggio chimico 12,7 mm
- Adattatore dell'ancoraggio chimico 19 mm

6. Frantumazione (Martellamento)



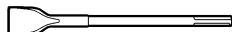
- (1) Punta gigante
 Lunghezza totale: 280, 400 mm

7. Scanalature a bordature (Martellamento)



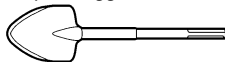
- (1) Tagliolo a freddo
 Lunghezza totale: 280, 400 mm

8. Taglio dell'asfalto (Martellamento)



- (1) Coltello

9. Lavoro di palettaggio (Martellamento)



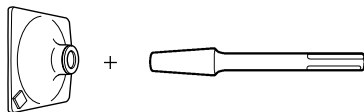
- (1) Paletta

10. Sgrossatura (Martellamento)



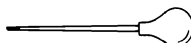
- (1) Utensile per l'isolamento
- (2) Gambo

11. Battitura (Martellamento)



- (1) Pestello 150 x 150 mm
- (2) Gambo

12. Siringa (per la rimozione dei trucioli)



- Grasso A per martello 500g (in lattina)
- 70g (nel tubo arancione)
- 30g (nel tubo arancione)

Gli accessori disponibili a richiesta possono essere senza preavviso.

APPLICAZIONI

- Apertura di fori nel cemento armato
- Apertura di fori ad ancoraggio
- Frantumazioni di cemento, truciolatura, scavatura e squadratura (per mezzo dell'applicazione degli accessori opzionali)

PRIMA DELL'USO

1. Alimentazion
 Assicurarsi che la rete di alimentazione che si vuole usare sia compatibile con le caratteristiche relative all'alimentazione di corrente specificate nella piastrina dell'apparecchio.

2. Interruttore di corrente

Mettere l'interruttore in posizione SPENTO. Se la spina è infilata in una presa mentre l'interruttore è acceso, l'utensile elettrico si mette immediatamente in moto, facilitando il verificarsi di incidenti gravi.

3. Prolunga del cavo

Quando l'ambiente di lavoro è lontano da una presa di corrente, usare una prolunga del cavo di sufficiente spessore e di prestazione adeguata. La prolunga deve essere più corta possibile.

4. Come installare la punta

NOTA:

Per punte come la punta gigante o il tagliolo a freddo, usare esclusivamente parti di ricambio originali Hitachi.

(1) Pulire e quindi spalmare il gambo con il grasso che viene fornito insieme nel tubo arancione (Fig. 1).

(2) Per applicare l'utensile (gambo SDS max), inserirlo nel foro finché esso tocca l'estremità più interna del foro come mostrato nella Fig. 2.

Se si continua a girare l'utensile con una leggera pressione, è possibile sentire il punto in cui c'è un attacco. In quel punto, tirare l'impugnatura nella direzione del segno della freccia e inserire l'utensile completamente finché esso tocca l'estremità più interna. Il rilascio dell'impugnatura fa tornare indietro l'impugnatura e fissa l'utensile in posizione.

(3) Tirare l'utensile per verificare che sia completamente bloccato.

(4) Per staccare l'utensile, tirare completamente il mandrino in direzione della freccia e tirare in fuori l'utensile.

5. Regolazione del numero di rotazioni e martellamenti (Fig. 3)

Questo martello perforatore è dotato di un circuito di controllo elettronico che può regolare e controllare il numero di rotazioni e le volte di martellamento. Questo martello perforatore può essere usato regolando la manopola, a seconda del tipo di lavorazione, come la trapanatura di fori in materiali fragili, la spezzettatura, la centratura, ecc.

La posizione "1" della manopola è per una velocità minima con 240 rotazioni al minuto e 1320 martellamenti al minuto. La posizione "6" è per una velocità massima con 480 rotazioni al minuto e 2650 martellamenti al minuto.

ATTENZIONE:

Non cambiare la posizione della manopola durante il funzionamento. Tale azione può causare lesioni perché porta a tenere il martello perforatore con una mano sola, impedendo un controllo sicuro del martello perforatore.

MODO D'USO

1. Come perforare (Fig. 4)

(1) Dopo aver posizionato la punta del trapano nella posizione desiderata tirare l'interruttore.

(2) Non è necessario premere sul corpo dell'apparecchio. Basta premerlo leggermente fino a che i trucioli comincino a essere liberati con facilità.

ATTENZIONE:

Benché l'apparecchio sia dotato di un accoppiamento di sicurezza, se la punta del trapano viene bloccata dal cemento armato o qualsiasi altro materiale, la conseguente interruzione della punta potrebbe

causare che il corpo dell'apparecchio si giri in senso contrario in reazione. Assicurarsi che l'impugnatura principale e quella laterale siano impugnate con forza sufficiente durante l'operazione.

2. Truciolatura o frantumazione (Fig. 5)

Basta applicare la punta del trapano nella posizione di truciolatura o frantumazione e far funzionare il martello perforatore utilizzando il peso dell'apparecchio stesso.

Non è necessario spingere o premere con forza.


3. Quando si effettua la perforazione con l'impostazione "rotazione + martellamento" laterale:

ATTENZIONE:

Se si sposta la leva di selezione mentre il motore sta girando, l'utensile può iniziare a ruotare bruscamente, causando incidenti imprevisti. Accertarsi di spostare la leva di selezione quando il motore è completamente fermo.

(1) Passaggio a "rotazione + martellamento"

(a) Premere il tasto, rilasciare il blocco e girare la leva di selezione in senso orario.

(b) Allineare ▲ sulla leva di selezione con  del supporto leva come mostrato nella Fig. 6.

(c) Rilasciare il tasto per bloccare la leva di selezione.

NOTA:

Girare la leva di selezione (non premere il tasto) per controllare che sia completamente bloccata e verificare che non giri.

4. Quando si effettua la scappellatura e la spezzettatura con l'impostazione "martellamento":


ATTENZIONE:

○ Se la leva di selezione viene spostata mentre il motore sta girando, l'utensile può iniziare a ruotare bruscamente, causando incidenti imprevisti. Accertarsi di spostare la leva di selezione quando il motore è completamente fermo.

○ Se si usa una punta dura o un incisore freddo con l'impostazione "rotazione + martellamento", l'utensile può iniziare a ruotare, causando incidenti imprevisti. Accertarsi che essi siano usati con l'impostazione "martellamento".

(1) Passaggio a "martellamento"

(a) Premere il tasto, rilasciare il blocco e girare la leva di selezione in senso antiorario.

(b) Allineare ▲ sulla leva di selezione con  del supporto leva come mostrato nella Fig. 7.

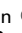
(c) Rilasciare il tasto per bloccare la leva di selezione.

NOTA:

Girare la leva di selezione (non premere il tasto) per controllare che sia completamente bloccata e verificare che non giri.

(2) Quando si fissano le posizioni di lavorazione di utensili come il tagliolo a freddo, ecc.,

(a) Premere il tasto, rilasciare il blocco e girare la leva di selezione in senso orario.

Allineare ▲ sulla leva di selezione con  del supporto leva come mostrato nella Fig. 8.

(b) Rilasciare il tasto per bloccare la leva di selezione.

(c) Girare l'impugnatura come mostrato nella Fig. 9 e fissare la posizione di lavorazione dell'utensile.

(d) Spostare la leva di selezione nella posizione di "martellamento" secondo il procedimento descritto nella voce sopra (1) e fissare la posizione dell'utensile.

5. Installare la bacchetta d'arresto (Fig. 10)

- (1) Allentare l'impugnatura laterale e inserire la parte diritta della bacchetta d'arresto nel foro del bullone dell'impugnatura.
- (2) Spostare la bacchetta d'arresto nella posizione specificata e quindi girare l'impugnatura laterale in senso orario per fissare la bacchetta d'arresto.

6. Riscaldamento (Fig. 11)

Per il sistema di lubrificazione ad ingrassaggio di questa unità può essere necessario il riscaldamento in zone fredde.

Collocare l'estremità della punta in modo che tocchi il cemento, attivare l'interruttore dell'unità principale ed eseguire l'operazione di riscaldamento. Accertarsi che sia prodotto un rumore di colpi e quindi usare l'unità.

ATTENZIONE:

Quando si esegue l'operazione di riscaldamento, tenere l'impugnatura laterale e il corpo principale saldamente con entrambe le mani in modo da mantenere una presa sicura fare attenzione a non torcere il proprio corpo con la punta del trapano inceppata.

- (b) Il gambo SDS max dell'adattatore per mandrino è equivalente alla punta da trapano. Pertanto, seguire lo stesso procedimento descritto in [Come installare la punta] per l'applicazione e la rimozione.
- (3) Perforazione
 - (a) Anche se si esercita una pressione maggiore di quella richiesta sul corpo dell'attrezzo, la perforazione non potrà essere effettuata mai così rapidamente come ci si aspetta. L'applicazione al corpo dell'attrezzo di una forza o di una pressione maggiore di quella necessaria, al contrario, danneggia la punta da trapano, causando così un declino del rendimento lavorativo e una riduzione della durata dell'attrezzo.
 - (b) Una punta da trapano può talvolta scattare quando la perforazione è quasi terminata. È importante allentare la pressione di spinta quando la perforazione è quasi alla fine.

COME USARE LA CORONA

Con la corona si possono eseguire fori ciechi e a largo calibro. Usare in tal caso gli accessori facoltativi per corone, quali il perno ralla e il gambo per corona per una più razionale operazione.

1. Montaggio**ATTENZIONE:**

Prima di montare la corona ricordarsi sempre di staccare la spina dalla presa della corrente.

1. Nel caso si usi un adattatore del gambo conico. (Fig. 12)

- (1) Installare la punta del trapano nel gambo conico dell'adattatore.
- (2) Inserire la corrente e trapanare un foro base alla profondità sondata indicando la scanalatura sulla punta del trapano.
- (3) Dopo aver pulito dalla polvere con una siringa attaccare il tappo alla punta dell'ancora e infissare questa con un martello a mano.
- (4) Per smontare la punta a gambo conico inserire la coppiglia nella fessura dell'adattatore per gambo conico e battere sulla punta (della coppiglia) con un martello, con l'attrezzo e la punta appoggiati su dei supporti. (Fig. 13)

- (1) Montare la corona sul gambo apposito. (Fig. 15) Onde facilitare le operazioni di smontaggio, ricordarsi di mettere dell'olio nella parte a vite del gambo della corona.
- (2) Montare il gambo della corona sul corpo dell'apparecchio seguendo la stessa procedura valida per il montaggio della punta e della punta gigante. (Fig. 16)
- (3) Inserire il perno ralla nella piastra di guida fino a che ne raggiunga l'estremità.
- (4) Fissare la piastra di guida, allineandone la porzione concava con la punta della corona. Quando la posizione della porzione concava è spostata girando la piastra di guida verso destra o sinistra, questa non scivolerà nemmeno quando l'utensile viene usato in posizione verticale verso il basso. (Fig. 17)

USO DEL MANDRINO PER PUNTE DA TRAPANO, DELL'ADATTATORE PER MANDRINO

Notare che questo attrezzo può essere usato con l'impostazione "solo rotazione" se ad esso vengono applicati i pezzi in vendita a parte come il mandrino per punte da trapano e l'adattatore per il mandrino. Usare l'attrezzo con la leva di selezione regolata nella posizione "rotazione + martellamento".

ATTENZIONE:

Durante l'uso, accertarsi di impugnare saldamente il manico e l'impugnatura laterale per evitare di essere sballottati.

- (1) Passaggio a "rotazione + martellamento"
Per passare a "rotazione + martellamento", seguire lo stesso procedimento descritto in [3. Quando si effettua la perforazione con l'impostazione "rotazione + martellamento"].
- (2) Applicazione dell'adattatore per mandrino al mandrino per punte da trapano (Fig. 14)
 - (a) Applicare l'adattatore per mandrino al mandrino per punte da trapano.

2. Forature

- (1) Inserire la spina nella presa della corrente.
- (2) Una molla è costruita nel perno ralla. Premendo gentilmente sul pavimento o sulla parete, l'intera superficie della punta della corona viene in contatto e si può quindi cominciare il lavoro di trapanaggio. (Fig. 18)
- (3) Quando la profondità del foro raggiunge approssimativamente i 5 mm la posizione del foro può essere facilmente determinata. Rimuovere quindi il perno ralla e la piastra di guida dalla corona e continuare il lavoro di trapanaggio.

ATTENZIONE:

Quando si toglie il perno ralla e la piastra di guida ricordarsi sempre di staccare la spina dalla presa di corrente.

3. Come smontare la corona

- Tenere l'utensile in posizione diritta (con la corona inserita) e farlo andare per ripetere l'operazione di

impatto due o tre volte finché la vite si allenta e l'utensile è così pronto per essere smontato. (Fig. 19)

- Togliere il gambo della corona dall'utensile, tenere la corona con una mano e percuotere forte la testa della porzione del gambo SDS massimo del gambo della corona con un martello a mano per due o tre volte, finché la vite a testa tonda non è allentata. L'apparecchio a questo punto è pronto per lo smontaggio. (Fig. 20)

SOSTITUZIONE DEL GRASSO

L'apparecchio è stato costruito in modo da renderlo completamente ermetico, da proteggerlo dalla polvere e da impedire la fuoriuscita di lubrificante. Può essere quindi usato per lunghi periodi senza bisogno di lubrificazione. sostituire il grasso come indicato qui sotto.

1. Periodi della sostituzione del grasso

Dopo l'acquisto, sostituire il grasso ogni sei mesi di uso. Rivolgersi a tal scopo al più vicino centro di assistenza autorizzato Hitachi.

2. Rifornimento del grasso

ATTENZIONE:

Prima di rifornire il grasso spegnere l'apparecchio e staccare la spina dalla presa di corrente.

- (1) Togliere il coperchio della manovella e rimuovere il grasso presente all'interno (Fig. 21)
- (2) Usare 30 grammi di grasso A per martelli perforatori (accessorio standard contenuto nel tubo) e depositarlo nell'incastellatura.
- (3) Dopo aver riempito di nuovo di grasso, installare saldamente il coperchio della manovella.

NOTA:

Il grasso Hitachi per martelli elettrici A è del tipo a bassa viscosità. Se necessario, acquistare il grasso presso un centro di assistenza autorizzato Hitachi.

MANUTENZIONE E CONTROLLO

1. Controllo della punta

Poiché l'uso di punte logore diminuisce l'efficacia dell'apparecchio e può provocare eventuali cattivi funzionamenti del motore, affilare o sostituire la punta non appena si nota logoramento.

2. Controllo delle viti di tenuta

Controllare regolarmente tutte le viti di tenuta e assicurarsi che siano esclusivamente serrate. Nel caso che una di queste viti dovesse allentarsi riserrarla immediatamente. Se si non ottiene di farlo, si può causare un grave incidente.

3. Manutenzione del motore

L'avvolgimento del motore il vero e proprio "cuore" degli attrezzi elettrici. Fare attenzione a non danneggiare l'avvolgimento e/o non bagnarlo con olio o acqua.

4. Controllo delle spazzole di carbone (Fig. 22)

Il motore impiega spazzole di carbone, materiali soggetti a consumo. Quando una spazzola è consumata o vicina al limite d'usura, il motore potrebbe subire dei danni. Usando spazzole di carbone con arresto automatico, il motore si ferma automaticamente quando queste sono consumate. In tal caso, bisogna sostituirle con delle nuove,

dello stesso numero come indicato nella figura. Tenere, inoltre, sempre pulite le spazzole e fare in modo che questo scorrino liberamente all'interno del portaspazzole.

5. Sostituzione della spazzola di carbone

Allentare la vite di fermo e togliere il coperchio posteriore. Togliere la capsula della spazzola e le spazzole di carbone. Dopo la sostituzione di queste posteriori serrare saldamente la capsula e installare il coperchio posteriore con due viti di fermo.

6. Lista dei pezzi di ricambio

ATTENZIONE:

Riparazioni, modifiche e ispezioni di utensili elettrici Hitachi devono essere eseguite da un centro assistenza Hitachi autorizzato.

Questa lista dei pezzi torna utile se viene presentata con l'utensile al centro assistenza Hitachi autorizzato quando si richiedono riparazioni o altri interventi di manutenzione.

Nell'uso e nella manutenzione degli utensili elettrici devono essere osservate le normative di sicurezza e i criteri prescritti in ciascun paese.

MODIFICHE:

Gli utensili elettrici Hitachi vengono continuamente migliorati e modificati per includere le più recenti innovazioni tecnologiche.

Di conseguenza, alcuni pezzi possono essere modificati senza preavviso.

GARANZIA

Garantiamo gli Utensili Elettrici Hitachi in conformità alle specifiche normative imposte dalla legge e dai paesi. Questa garanzia non copre difetti o danni dovuti a uso errone, abuso o normale usura. In caso di lamentele, si prega di inviare l'Utensile Elettrico, non smontato, insieme al CERTIFICATO DI GARANZIA che si trova al termine di queste Istruzioni per l'uso, ad un Centro di Assistenza Autorizzato Hitachi.

NOTA:

A causa del continuo programma di ricerca e sviluppo della HITACHI, le caratteristiche riportate in questo foglio sono soggette a cambiamenti senza preventiva comunicazione.

Informazioni riguardanti i rumori trasmessi dall'aria e le vibrazioni

I valori misurati sono stati determinati in conformità a EN60745 e descritti in conformità alla normativa ISO 4871.

Livello misurato di potenza sonora pesato A: 104 dB (A)

Livello misurato di pressione sonora pesato A: 93 dB (A)

KpA incertezza: 3 dB (A)

Indossare protezioni per le orecchie.

Valori totali di vibrazione (somma vettori triass.) determinati secondo la norma EN60745.

Perforazione nel cemento:

Valore di emissione vibrazioni **a_h**, **H_D** = 8,3 m/s²

Incertezza K = 1,5 m/s²

Valore di cisellatura equivalente:

Valore di emissione vibrazioni **a_h**, **Cheq** = 4,6 m/s²

Incertezza K = 1,5 m/s²

AVVERTENZA

- Il valore di emissione vibrazioni durante l'uso effettivo dell'utensile può essere diverso dal valore dichiarato in base alle modalità di utilizzo dell'utensile stesso.
- Per individuare le misure di sicurezza per la protezione dell'operatore basate su stima dell'esposizione nelle effettive condizioni di utilizzo (prendendo in considerazione tutte le parti del ciclo di funzionamento come i tempi in cui l'utensile resta spento e quando funziona senza essere utilizzato in aggiunta al tempo di avvio).

ALGEMENE VEILIGHEIDSWAARSCHUWINGEN VOOR ELEKTRISCH GEREEDSCHAP

⚠ WAARSCHUWING

Lees alle waarschuwingen en instructies aandachtig door. Nalating om de waarschuwingen en instructies op te volgen kan in een elektrische schok, brand en/of ernstig letsel resulteren.

Bewaar alle waarschuwingen en aanwijzingen voor eventuele naslag in de toekomst.

De term "elektrisch gereedschap" heeft zowel betrekking op elektrisch gereedschap dat via de netvoeding van stroom wordt voorzien als gereedschap dat via een accu (snoerloos) van stroom wordt voorzien.

1) Veiligheid van de werkplek

- Zorg voor een schone en goed verlichte werkplek.**
Een rommelige of donkere werkplek verhoogt de kans op ongelukken.
- Gebruik het elektrisch gereedschap niet in een omgeving met ontplofbare vloeistoffen, gasen of stof.**
Elektrisch gereedschap kan vonken afgeven. Deze vonkjes kunnen stofdeeltjes of gasen doen ontbranden.
- Houd kinderen en andere toeschouwers tijdens het gebruik van elektrische gereedschap uit de buurt.**
Afleidingen kunnen gevaarlijk zijn.

2) Elektrische veiligheid

- De stekker op het elektrische gereedschap moet geschikt zijn voor aansluiting op de wandcontactdoos.**
De stekker mag op geen enkele manier gemodificeerd worden. Gebruik geen verloopstekker met geaard elektrisch gereedschap.
Deugdelijke stekkers en geschikte wandcontactdozen verminderen het risico op een elektrische schok.
- Vermijd lichamen contact met geaarde oppervlakken zoals leidingen, radiatoren, fornuizen en koelkasten.**
Wanneer uw lichaam in contact staat met geaarde oppervlakken loopt u een groter risico op een elektrische schok.
- Stel het elektrisch gereedschap niet bloot aan regen of vochtige omstandigheden.**
Het risico op een elektrische schok wordt vergroot wanneer er water in het elektrisch gereedschap terecht komt.
- Behandel het snoer voorzichtig. Draag het gereedschap nooit door dit bij het snoer vast te houden. Trek niet aan het snoer wanneer u de stekker uit het stopcontact wilt halen.**
Houd het snoer uit de buurt van warmtebronnen, olie, scherpe randen of bewegende onderdelen.
Een beschadigd of verward snoer verhoogt het risico op een elektrische schok.
- Gebruik buitenshuis een verlengsnoer dat specifiek geschikt is voor het gebruik buiten.**
Het gebruik van een snoer dat specifiek geschikt is voor gebruik buitenshuis vermindert het risico op een elektrische schok.
- Als het elektrisch gereedschap in een vochtige omgeving gebruikt moet worden, dient een voeding met RCD (reststroom-apparaat) beveiliging te worden gebruikt.**
Gebruik van een RCD vermindert de kans op een elektrische schok.

3) Persoonlijke veiligheid

- Blijf waakzaam, let voortdurend op uw werk en gebruik uw gezond verstand wanneer u elektrisch gereedschap gebruikt.**
Gebruik geen elektrisch gereedschap wanneer u moe bent of onder invloed van drugs, alcohol of medicijnen.

Eén moment van onoplettendheid kan in ernstig lichamenlijk letsel resulteren.

- Gebruik persoonlijke beschermingsmiddelen. Draag altijd oogbescherming.**
Beschermingsmiddelen zoals stofmaskers, niet-glijdende veiligheidschoenen, een helm of oorbescherming vermindert het risico op lichamenlijk letsel.
 - Voorkom dat het gereedschap per ongeluk kan starten. Controleer of de schakelaar in de uit-stand staat voordat u de voeding en/of de accu aansluit, het gereedschap oppakt of gaat dragen.**
Zorg ervoor dat u tijdens het verplaatsen van het elektrisch gereedschap uw vingers uit de buurt van de schakelaar houdt en sluit de stroombron niet aan terwijl de schakelaar op aan staat om ongelukken te vermijden.
 - Verwijder sleutels en moersleutels uit het gereedschap voordat u het elektrisch gereedschap aanzet.**
Een (moer-)sleutel die op een bewegend onderdeel van het elektrisch gereedschap bevestigd is kan in lichamenlijk letsel resulteren.
 - Reik niet te ver. Zorg ervoor dat u te allen tijde stevig staat en uw evenwicht behoudt.**
Op deze manier heeft u tijdens een onverwachte situatie meer controle over het elektrisch gereedschap.
 - Draag geen loszittende kleding of sieraden. Houd uw haar, kleding en handschoenen uit de buurt van bewegende onderdelen.**
Loszittende kleding, sieraden en lang haar kunnen in de bewegende onderdelen verstrikt raken.
 - Indien het elektrisch gereedschap van een aansluiting voor stofafzuiging is voorzien dan dient u ervoor te zorgen dat de stofafzuiging aangesloten en op de juiste manier gebruikt wordt.**
Het gebruik van stofafzuiging vermindert eventuele stofgerelateerde risico's.
- #### 4) Bediening en onderhoud van elektrisch gereedschap
- Het elektrisch gereedschap mag niet geforceerd worden. Gebruik het juiste gereedschap voor het karwei.**
U kunt de klus beter en veiliger uitvoeren wanneer u het juiste elektrische gereedschap gebruikt.
 - Gebruik het elektrisch gereedschap niet als de schakelaar niet goed werkt.**
Elektrisch gereedschap dat niet via de schakelaar bediend kan worden is gevaarlijk en moet onmiddellijk gerepareerd worden.
 - Haal de stekker uit het stopcontact voordat u de voeding en/of de accu van het elektrisch gereedschap losmaakt, afstellingen verricht, accessoires verwisselt of voordat u het elektrisch gereedschap opbergt.**
Dergelijke preventieve veiligheidsmaatregelen verminderen het risico dat het elektrisch gereedschap per ongeluk opstart.
 - Berg elektrisch gereedschap buiten het bereik van kinderen op en sta niet toe dat personen die niet bekend zijn met het juiste gebruik van het gereedschap of deze voorschriften dit elektrisch gereedschap gebruiken.**
Elektrisch gereedschap is gevaarlijk in onbevoegde handen.
 - Het elektrisch gereedschap moet regelmatig onderhouden worden. Controleer het gereedschap op een foutieve uitlijning, vastgelopen of defecte bewegende onderdelen en andere problemen die van invloed zijn op de juiste werking van het gereedschap.**
Indien het gereedschap defect of beschadigd is moet het gerepareerd worden voordat u het gereedschap opnieuw gebruikt.

Slecht onderhouden elektrisch gereedschap is verantwoordelijk voor een groot aantal doe-het-zelf ongelukken.

f) Houd snijwerktuigen scherp en schoon.

Goed onderhouden snijwerktuigen met scherpe snijranden lopen minder snel vast en zijn gemakkelijker in het gebruik.

g) Elektrisch gereedschap, toebehoren, bits enz. moeten in overeenstemming met deze instructies worden gebruikt waarbij de werkomstandigheden en het werk in overweging moeten worden genomen.

Gebruik van het elektrisch gereedschap voor andere doeleinden dan waarvoor het is bedoeld, kan resulteren in een gevaarlijke situatie.

5) Onderhoudsbeurt

a) Het gereedschap mag uitsluitend door bevoegd onderhoudspersoneel worden onderhouden die authenticiteit onderdelen gebruikt.

Hierdoor kunt u erop aan dat de veiligheid van het elektrisch gereedschap behouden blijft.

VOORZORGMATREGELEN

Houd kinderen en kwetsbare personen op een afstand.

Het gereedschap moet na gebruik buiten het bereik van kinderen en andere kwetsbare personen worden opgeborgen.

TECHNISCHE GEGEVENS

Voltage (verschillend van gebied tot gebied)*	(110V, 115V, 120V, 127V, 220V, 230V, 240V) ~
Input	950 W*
Capaciteit	Boorgedeelte: 40 mm Kerngedeelte: 105 mm
Onbelaste snelheid	240 – 480 min ⁻¹
Aantal slagen belast	1320 – 2650 min ⁻¹
Gewicht (zonder snoer, zijgreep)	6,8 kg

* Controleer het naamplaatje op het apparaat daar het apparaat afhankelijk van het gebied waar het verkocht wordt gewijzigd kan worden.

STANDAARD TOEBEHOREN

- (1) Omhulsel 1
 (2) Zijgreep 1
 (3) Stopper 1
 (4) Hammer Grease A 1
 De standaard toebehoren kunnen zonder aankondiging op ieder moment worden veranderd.

EXTRA TOEBEHOREN (los te verkrijgen)

1. Gatdoorboring (Draaiend + Slaan)



VEILIGHEIDSWAARSCHUWINGEN VOOR DE BOORHAMER

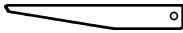
- 1. Draag oorbeschermers**
Blootstelling aan lawaai kan tot gehoorverlies leiden.
- 2. Gebruik de extra handgrepen die met het gereedschap zijn meegeleverd.**
Verlies van controle over het gereedschap kan in lichamelijk letsel resulteren.
- Het booreinde gedurende of direct na het uitzetten NIET aanraken. Het booreinde wordt tijdens het boren uiterst heet en zou ernstige brandwonden kunnen veroorzaken.
- Voordat U in een muur, plafond of vloer iets uitbreekt, dient gecontroleerd te worden of er elektrische kabels of leidingsnaren onder liggen.
- Houd de handgrepen van het elektrisch gereedschap altijd stevig vast. Zoniet, dan zal de tegendruk onzuiver werk of gevaarlijke situaties, dan uitaties in de hand werken.
- 6. Draag een stofmasker**
Adem de schadelijke stoffen die tijdens het boren of beitelen vrijkomen niet in. De stoffen kunnen schadelijk zijn voor uw gezondheid en de gezondheid van toeschouwers.

- (1) Drillstuk (SDS max. schacht)

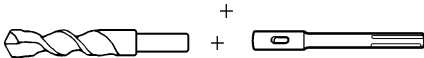
Buitendiameter (mm)	Tale lengte (mm)
16	340, 540
19	
22	320, 520
25	
28	370, 570
32	
38	
40	

2. Boren voor ankerkasten (Draaien + Slaan)

Drilstuk (vernaauwde schacht)



(3) Cotter



- (1) Drilstuk (vernaauwde schacht)
Externe diameter:
11, 12,3, 12,7, 14,3,
14,5, 17,5 mm
- (2) Adaptor voor vernaauwde schacht (SDS max. schacht)

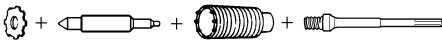
Adaptor voor vernaauwde schacht	Toepasselijk boorstuk
Morse tap (Nr.1)	Boorstuk (vernaauwde schacht) 11, 12,3, 12,7, 14,3, 14,5, 17,5 mm

Adapter voor SDS-plus schachtstuk



- (1) Drilstuk (SDS Plus schacht)
- (2) Adapter voor SDS-plus schachtstuk (SDS max. schacht)

3. Grote diameter gatboren (Draaien + Slaan)



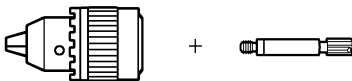
- (1) Middenpin (Plaatje)
- (2) Kernstuk
- (3) Kernstuk-schacht

- (1) Middenpin
- Van toepassing op kernstuk 38 mm ~ 105 mm
 - Van toepassing op kernstuk 32 mm en 35 mm
- OPMERKING:**
Gebruik kernstuk 25 mm en 29 mm niet.

- (2) Kernstuk
- Externe diameter 25, 29, 32, 35, 38, 45, 54, 64, 79, 94, 105 mm
 - (Met plaatje, niet van toepassing voor 25 mm en 29 mm kern)

- (3) Kernstukschacht
- Van toepassing op kernstuk boven 38 mm
 - Van toepassing op kernstuk onder 35 mm

4. Boren van gaten Voor het boren in metalen en hout



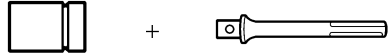
13 mm boorkop (13VLA)

Boorkopadaptor (SDS max. schacht)



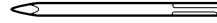
Sleutel

5. Bout-aanbrengwerk voor chemische anker (Draaien + Slaan)



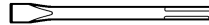
- (in de handel verkrijgbare houders)
- (SDS max. schacht)
12,7 mm chemische ankeradapter
19 mm chemische ankeradapter

6. Breken (Slaan)



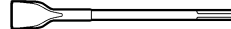
- (1) Puntboor
Totale lengte: 280, 400 mm

7. Groefsnijden en graven (Slaan)



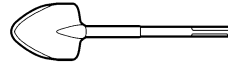
- (1) Beitel totale lengte: 280, 400 mm

8. Asfalsnijden (Slaan)



- (1) Snijder

9. Schepwerk (Slaan)



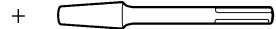
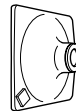
- (1) Schep

10. Oppervlakte bewerking (Slaan)



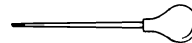
- (1) Borstelhelpstuk
- (2) Schacht

11. Aanstampen (Slaan)



- (1) Heiblok
150 x 150 mm
- (2) Schacht

12. Spuitje (voor verwijderen van gruis)



- Hammer Grease A
500 gr. (in een blik)
70 gr. (in een groene tube)
30 gr. (in een groene tube)
- De extra toebehoren kunnen zonder aankondiging op ieder moment worden veranderd.

TOEPASSINGEN

- Boren van gaten in beton
- Boren van ankerkasten
- Breken van beton, snijden, graven en dergelijke (door gebruik te maken van de toebehoren)

VOOR HET GEBRUIK

1. Netspanning

Kontroleren of de netspanning overeenkomt met de opgave op het naamplaatje.

2. Netschakelaar

Kontroleren of de netschakelaar op UIT staat. Wanneer de stekker op het net aangesloten is, terwijl de schakelaar op AAN staat, begint het gereedschap onmiddellijk de draaien, hetwelk ernstig gevaar betekent.

3. Verlengsnoer

Wanneer het werktrein niet in de buurt van een stopcontact ligt, dan moet men gebruik maken van een verlengsnoer, dat voldoende dwarsprofiel en voldoende nominaal vermogen heeft. Het verlengsnoer moet zo kort mogelijk gehouden worden.

4. Aanbrengen van een boor

OPMERKING:
Gebruik uitsluitend originele Hitachi-onderdelen voor gereedschap zoals een puntboor en beitel.

- (1) Gebruik de bijgeleverde olie, in een groene tube om de schacht te smeren (**Afb. 1**).

- (2) Voor het bevestigen van het gereedschap (SDS max. schacht) moet u het in de opening steken totdat het contact maakt met het binnenste uiteinde van de opening zoals u in **Afb. 2** ziet.

Indien u het gereedschap nu met wat kracht iets verder draait, voelt u een kink. Trek nu de greep in de richting van de pijl en steek het gereedschap geheel in tot het binnenste uiteinde raakt. Laat de greep los zodat deze terugspringt en het gereedschap op zijn plaats vergrendelt.

- (3) Trek aan het gereedschap om te controleren of dit goed vergrendeld is.

- (4) Om het gereedschap te verwijderen, de greep volledig in de richting van de pijl trekken en vervolgens het gereedschap naar buiten trekken.

5. Instellen van het aantal rotaties en het aantal slagen (Afb. 3)

Deze boorhamer is voorzien van een elektronisch regelcircuit waarmee het aantal rotaties en slagen kan worden geregeld. Voor gebruik van deze boorhamer moet u de draaiknop afstellen in overeenstemming met de klus die u wilt uitvoeren, bijvoorbeeld het boren van gaten in kwetsbare materialen, hakwerk, centreren enz.

Stand '1' van de draaiknop geeft de minimale snelheid van 240 rotaties per minuut en 1320 slagen per minuut. Stand '6' geeft de maximale snelheid van 480 rotaties en 2650 slagen per minuut.

LET OP:

Stel de draaiknop niet tijdens de werkzaamheden af. Dit zou namelijk letsel kunnen veroorzaken omdat de boorhamer dan met één hand en dus niet stabiel kan worden vastgehouden.

GEBRUIK

1. Het boren van gaten (Afb. 4)

- (1) Plaats de punt van de boor op de gewenste positie, en trek aan de schakelaar.
- (2) Het is onnodig overmatige druk uit te oefenen op het apparaat. Door lichtelijk te drukken zodat de te bewerken plaats loskomt is voldoende.

LET OP:

Wanneer de boor vast komt te zitten in de muur of in andere materialen kan het apparaat, ondanks dat deze voorzien is van een veiligheidskoppeling, hevig gaan schudden. Zorg ervoor dat beide handgrepen goed worden vastgehouden tijdens de werkzaamheden.


2. Breken en snijden (Afb. 5)

Wanneer de punt van de boor voor breken en snijden gebruikt wordt, is het gewicht van het apparaat voldoende.

Overmatige druk uitoefenen is in dit geval niet nodig.

3. Boren met "roteren + slaan":**LET OP:**

Indien u de keuzeschakelaar tijdens het draaien van de motor in een andere stand drukt, kan het gereedschap plotseling starten te draaien met mogelijk ongelukken tot gevolg. Druk daarom de keuzeschakelaar uitsluitend in een andere stand wanneer de motor geheel is gestopt.

- (1) Schakelen naar "roteren + slaan"
- (a) Druk de knop in, hef de vergrendeling op en draai de keuzeschakelaar met de klok mee.
- (b) Breng  op de behuizing in lijn zoals u kunt zien op **Afb. 6**.
- (c) Laat de knop los om de keuzeschakelaar te vergrendelen.


OPMERKING:

Draai de keuzeschakelaar (druk de knop niet in) om te controleren of deze goed vergrendeld is en niet meer draait.

4. Bij schaven en versnipperen met "slaan":**LET OP:**

- Indien u de keuzeschakelaar tijdens het draaien van de motor in een andere stand drukt, kan het gereedschap plotseling starten te draaien met mogelijk ongelukken tot gevolg. Druk daarom de keuzeschakelaar uitsluitend in een andere stand wanneer de motor geheel is gestopt.

- Indien het gereedschap voor schaven en versnipperen wordt gebruikt met de stand voor "roteren + slaan" kan het gereedschap starten te draaien met mogelijk ongelukken tot gevolg. Controleer derhalve dat voor "slaan" voor schaven en versnipperen is ingesteld.

- (1) Schakel naar "slaan"
- (a) Druk de knop in, hef de vergrendeling op en draai de keuzeschakelaar tegen de klok in.
- (b) Breng  op de behuizing in lijn zoals u kunt zien op **Afb. 7**.
- (c) Laat de knop los om de keuzeschakelaar te vergrendelen.

OPMERKING:

Draai de keuzeschakelaar (druk de knop niet in) om te controleren of deze goed vergrendeld is en niet meer draait.

- (2) Bij het vastzetten van werkposities van gereedschap, bijvoorbeeld beitels, etc.

- (a) Druk de knop in, hef de vergrendeling op en verdraai de keuzeschakelaar.
Breng ▲ op de keuzeschakelaar en © op de behuizing in lijn zoals u kunt zien op **Afb. 8**.
- (b) Laat de knop los om de keuzeschakelaar te vergrendelen.
- (c) Verdraai de greep zoals in **Afb. 9** aangegeven en stel het gereedschap in de gewenste werkrichting.
- (d) Druk de keuzeschakelaar naar "slaan" zoals beschreven in het item (1) hierboven en zet de positie van het gereedschap vast.

5. Installeer de stopper (Afb. 10)

- (1) Maak de zijgreep los en plaats het rechte gedeelte van de stopper in het schroefgat van de hendel aan de voorkant.
- (2) Verschuif de stopper naar de juiste plaats en draai de hendel van de zijgreep naar rechts om de stopper vast te zetten.

6. Opwarmen (Afb. 11)

Het smeringsstelsel van dit gereedschap moet onder koude omstandigheden eerst opwarmen. Plaats het uiteinde van het boorstuk eerst tegen het beton, schakel het gereedschap in en laat het systeem opwarmen. Controleer dat u een "slag" hoort en gebruik dan het gereedschap.

LET OP:

Houd tijdens het opwarmen de zijhendel en het gereedschap stevig met beide handen vast zodat uw positie niet door de druk van de boor wordt veranderd.

DRILLEN EN INDRIJVEN VAN ANKERS

1. Wanneer een vernauwde schachtadapter gebruikt wordt. (Afb. 12)

- (1) Plaats de boor met de vernauwde schacht in de adapter van de schacht.
- (2) Zet het apparaat aan en boor een gat tot de diepte die aangegeven wordt op de groef van de boor.
- (3) Nadat stof en gruis met de spuit verwijderd zijn, kan de plug in het anker geplaatst worden en ingebracht worden met een hamer.
- (4) Voor het verwijderen van het boorstuk (met vernauwde schacht) dient de cotter in de gleuf van de vernauwde schachtadapter te worden gestoken. Sla nu op de cotter terwijl de boorhamer wordt ondersteund. (Afb. 13)

GEbruik VAN DE BOORKOP EN DE ADAPTER

Deze machine kan worden gebruikt voor "uitsluitend draaien" indien een los verkrijgbaar boorstuk en een adapter voor het boorstuk worden bevestigd. Gebruik met de keuzeschakelaar op "roteren + slaan" gesteld.

LET OP:

Tijdens de werking moet u de greep en zijgreep goed vasthouden zodat u uw evenwicht niet verliest.

- (1) Schakelen naar "roteren + slaan"
Voer voor het schakelen naar "roteren + slaan" de in [3. Boren met "roteren + slaan"] beschreven handelingen uit.
- (2) Bevestigen van de adapter aan de boorkop (Afb. 14)
 - (a) Bevestig de adapter aan de boorkop.

- (b) De SDS max. schacht van de boorkop-adapter is hetzelfde als de boorkop. Volg derhalve de bij [Aanbrengen van een boor] beschreven handelingen uit voor het bevestigen en verwijderen.
- (3) Boren
- (a) Boren zal niet sneller gaan wanneer u overmatig veel druk op de boormachine uitoefent. Een overmatige druk zal echter de boorkop of het boorstuk mogelijk beschadigen waardoor de prestatie van de boor vermindert en de levensduur van de machine tevens mogelijk korter wordt.
 - (b) Een boor schiet soms uit positie wanneer het boren bijna voltooid is. Voer niet te veel druk op de boor uit wanneer het boren bijna klaar is.

GEbruik VAN EEN KERNSTUK

Met behulp van een kernstuk kunnen grote kaliber en blinde gaten geboord worden. Gebruik in dit geval de losverkrijgbare hulpstukken (zoals middenpin en kernstukschacht) voor goede resultaten.

1. Bevestiging

LET OP:

Verwijder altijd de stekker voordat het kernstuk bevestigd wordt.

- (1) Bevestig het kernstuk op de schacht van het kernstuk. (Afb. 15)
Olie het schroefgedeelte van de schacht zodat deze gemakkelijk verwijderd kan worden.
- (2) Bevestig de schacht van het kernstuk op de boorkop net als een drilstuk of puntboor. (Afb. 16)
- (3) Plaats de middenpin in het plaatje en druk in totdat het einde bereikt is.
- (4) Leg het plaatje zodanig op de top van het kernstuk, dat het holle gedeelte goed past. Wanneer de positie van de uitholling naar links of rechts verschoven wordt, kan het plaatje niet uit positie raken, zelfs wanneer de drill naar beneden gebruikt wordt. (Afb. 17)

2. Boren van gaten

- (1) Steek de stekker in het stopcontact.
- (2) De middenpin heeft een ingebouwde veer. Door deze recht en zachtjes tegen een muur of vloer te drkken maakt de oppervlakte van het kernstuk contact waarna een gat geboord wordt. (Afb. 18)
- (3) Wanneer de diepte van het gat ongeveer 5 mm is, kan positie van het gat bepaald worden. Verwijder hierna de middenpin en het plaatje en boor vervolgens het gat.

LET OP:

Verwijder altijd de stekker uit het stopcontact wanneer de middenpin en het plaatje verwijderd worden.

3. Demontage van het kernstuk

- Door de boor (met daarin het kernstuk) naar boven te houden, en deze twee of drie keer aan te zetten, komt de schroef los en kan de boor uitgenomen worden. (Afb. 19)
- Neem de kernstukschacht uit de boor, houd het kernstuk met een hand vast, en sla hard op de kop van het SDS max schacht gedeelte van de kernstukschacht met een hamer, waarna de ronde kopschroef loskomt en de boor gedemonteerd kan worden. (Afb. 20)

VERVERSEN VAN OLIE

De constructie van dit apparaat is luchtdicht, zodat olie niet kan uitlekken, en het apparaat beschermd is tegen stof. Het apparaat kan dus voor lange tijd gebruikt worden zonder verdere smering. Vervang de olie zoals hieronder is beschreven.

1. Periodieke vervanging van de olie

Vervang de olie nadat het apparaat 6 maanden gebruikt is. Vervangingsolie is verkrijgbaar bij de officiële Hitachi Service Agent.

2. Bijvullen van olie

LET OP:

Zet het apparaat uit, en verwijder de stekker uit het stopcontact voordat met het bijvullen van olie begonnen wordt.

- (1) Verwijder de afdekking van de overbrenging en veeg overtollig vet weg. (Afb. 21)
- (2) Voeg 30g Hitachi Electric Hammer Grease A toe (Standaard toebehoren, verpakt in een tube).
- (3) Nadat het vet is bijgevuld, moet u de afdekking van de overbrenging weer goed terugplaatsen.

OPMERKING:

De Hitachi electric Hammer Grease A is een laag viscositeitstype. Nieuwe tubes zijn bij het erkende Hitachi Servicecentrum verkrijgbaar.

ONDERHOUD EN INSPECTIE

1. Inspectie van de boor

Daar door een stompe boor het prestatievermogen vermindert, en de motor beschadigd kan worden, dient deze geslepen of vervangen te worden wanneer slijtage wordt vastgesteld.

2. Inspectie van de bevestigingsschroef

Alle bevestigingsschroeven worden regelmatig geïnspecteerd en gecontroleerd of zij juist aangedraaid zijn. Wanneer één van de schroeven losraakt, dan moet deze onmiddellijk opnieuw aangedraaid worden. Gebeurt dat niet, dan kan dat tot aanzienlijke gevaren leiden.

3. Onderhoud van de motor

De motorwikkeling is het „hart“ van het elektrische gereedschap. Er moet daarom bijzonder zorgvuldig op gelet worden, dat de wikkeling niet beschadigd en/of met olie of water bevochtigd wordt.

4. Inspectie van de koolborstels (Afb. 22)

Bij de motor zijn koolborstels gebruikt, die onderhevig zijn aan slijtage. De motor kan beschadigd worden wanneer de koolborstels versleten zijn. De motor stop automatisch wanneer deze voorzien is van auto-stop koolborstels. In dit geval dienen beide koolborstels vervangen te worden door nieuwe borstels van hetzelfde nummer, zoals de afbeelding laat zien. Bovendien moeten de koolborstels zich in de borstelhouders vrij kunnen bewegen.

5. Vervangen van de koolborstels

Draai de schroeven los en verwijder de achterafdekking. Verwijder de borstelkap en koolborstel. Nadat u de koolborstel heeft vervangen, moet u de borstelkap weer goed vastdraaien en de achterafdekking met twee paar schroeven terugplaatsen.

6. Lijst vervangingsonderdelen

LET OP:

Reparatie, modificatie en inspectie van Hitachi elektrisch gereedschap dient te worden uitgevoerd door een erkend Hitachi Service-centrum.

Deze Onderdelenlijst komt van pas wanneer u deze samen met het gereedschap aanbiidt bij het erkende Hitachi Service-centrum wanneer u om reparatie of ander onderhoud verzoekt.

Bij gebruik en onderhoud van elektrisch gereedschap dienen de in het land waar u zich bevindt geldende veiligheidsregelgeving en veiligheidsstandaarden stipt te worden opgevolgd.

MODIFICATIES:

Hitachi elektrisch gereedschap wordt voortdurend verbeterd en gewijzigd teneinde gebruik te kunnen maken van de nieuwste technische ontwikkelingen. Daarom is mogelijk dat sommige onderdelen zonder voorafgaande kennisgeving gewijzigd worden.

GARANTIE

De garantie op het elektrisch gereedschap van Hitachi is in overeenstemming met de wettelijke/landspecifieke richtlijnen. Deze garantie dekt geen defecten of schade als gevolg van foutief gebruik, misbruik of normale slijtage. In geval van klachten verzoeken wij u het elektrisch gereedschap samen met het GARANTIECERTIFICAAT dat u achterin deze handleiding aantreft naar een erkend servicecentrum van Hitachi te sturen. Indien door de gebruiker de machine wordt gedemonteerd vervalt de aanspraak op garantie.

OPMERKING:

Op grond van het voortdurende research-en ontwikkelingsprogramma van HITACHI zijn veranderingen van de hierin genoemde technische opgaven voorbehouden.

Informatie betreffende luchtgeluid en trillingen

De gemeten waarden zijn verkregen overeenkomstig EN60745 en voldoen aan de eisen van ISO 4871.

Gemeten A-gewogen geluidsniveau: 104 dB (A)

Gemeten A-gewogen geluidsdrukniveau: 93 dB (A)

Onzekerheid KpA: 3 dB (A)

Draag gehoorbescherming.

Totale trillingswaarden (triax vector som) bepaald overeenkomstig EN60745.

Boorhameren in beton:

Trillingsemisiewaarde **ah**, **HD** = 8,3 m/s²

Onzekerheid K = 1,5 m/s²

Gelijkwaardige beitelwaarde:

Trillingsemisiewaarde **ah**, **Cheq** = 4,6 m/s²

Onzekerheid K = 1,5 m/s²

WAARSCHUWING

- De trillingsemissiewaarde tijdens het feitelijke gebruik van het elektrisch gereedschap kan afwijken van de opgegeven waarde afhankelijk van de manieren waarop het gereedschap wordt gebruikt.
- Neem kennis van de veiligheidsmaatregelen voor de bescherming van de operator welke gebaseerd zijn op een schatting van blootstelling onder feitelijke gebruiksomstandigheden (rekening houdend met alle onderdelen van de gebruikscyclus, zoals de tijd dat het gereedschap is uitgeschakeld en wanneer dit onbelast draait inclusief de triggertijd).

ADVERTENCIAS DE SEGURIDAD GENERAL DE LA HERRAMIENTA ELÉCTRICA

⚠ ADVERTENCIA

Lea todas las instrucciones y advertencias de seguridad. Si no se siguen las advertencias e instrucciones, podría producirse una descarga eléctrica, un incendio y/o daños graves.

Guarde todas las advertencias e instrucciones para futura referencia.

El término "herramienta eléctrica" en las advertencias hace referencia a la herramienta eléctrica que funciona con la red de suministro (con cable) o a la herramienta eléctrica que funciona con pilas (sin cable).

1) Seguridad del área de trabajo

- Mantenga la zona de trabajo limpia y bien iluminada.**
Las zonas desordenadas u oscuras pueden provocar accidentes.
- No utilice las herramientas eléctricas en entornos explosivos como, por ejemplo, en presencia de líquidos inflamables, gases o polvo.**
Las herramientas eléctricas crean chispas que pueden inflamar el polvo o los humos.
- Mantenga a los niños y transeúntes alejados cuando utilice una herramienta eléctrica.**
Las distracciones pueden hacer que pierda el control.

2) Seguridad eléctrica

- Los enchufes de las herramientas eléctricas tienen que ser adecuados a la toma de corriente. No modifique el enchufe. No utilice enchufes adaptadores con herramientas eléctricas conectadas a tierra.**
Si no se modifican los enchufes y se utilizan tomas de corriente adecuadas se reducirá el riesgo de descarga eléctrica.
- Evite el contacto corporal con superficies conectadas a tierra como tuberías, radiadores y frigoríficos.**
Hay mayor riesgo de descarga eléctrica si su cuerpo está en contacto con el suelo.
- No exponga las herramientas eléctricas a la lluvia o a la humedad.**
La entrada de agua en una herramienta eléctrica aumentará el riesgo de descarga eléctrica.
- No utilice el cable incorrectamente. No utilice el cable para transportar, tirar de la herramienta eléctrica o desenchufarla.**
Mantenga el cable alejado del calor, del aceite, de bordes afilados o piezas móviles.
Los cables dañados o enredados aumentan el riesgo de descarga eléctrica.
- Cuando utilice una herramienta eléctrica al aire libre, utilice un cable prolongador adecuado para utilizarse al aire libre.**
La utilización de un cable adecuado para usarse al aire libre reduce el riesgo de descarga eléctrica.
- Si no se puede evitar el uso de una herramienta eléctrica en un lugar húmedo, utilice un suministro protegido mediante un dispositivo de corriente residual (RCD).**
El uso de un RCD reduce el riesgo de descarga eléctrica.

3) Seguridad personal

- Esté atento, preste atención a lo que hace y utilice el sentido común cuando utilice una herramienta eléctrica. No utilice una herramienta eléctrica cuando esté cansado o esté bajo la influencia de drogas, alcohol o medicación.**

La distracción momentánea cuando utiliza herramientas eléctricas puede dar lugar a importantes daños personales.

- Utilice un equipo de protección. Utilice siempre una protección ocular.**
El equipo de protección como máscara para el polvo, zapatos de seguridad antideslizantes, casco o protección para oídos utilizado para condiciones adecuadas reducirá los daños personales.
 - Evite un inicio involuntario. Asegúrese de que el interruptor está en "off" antes de conectar la herramienta a una fuente de alimentación y/o batería, cogérjala o transportarla.**
El transporte de herramientas eléctricas con el dedo en el interruptor o el encendido de herramientas eléctricas con el interruptor encendido puede provocar accidentes.
 - Retire las llaves de ajuste antes de encender la herramienta eléctrica.**
Si se deja una llave en una pieza giratoria de la herramienta eléctrica podrían producirse daños personales.
 - No se extralimite. Mantenga un equilibrio adecuado en todo momento.**
Esto permite un mayor control de la herramienta eléctrica en situaciones inesperadas.
 - Vístase adecuadamente. No lleve prendas sueltas o joyas. Mantenga el pelo, la ropa y los guantes alejados de las piezas móviles.**
La ropa suelta, las joyas y el pelo largo pueden pillarse en las piezas móviles.
 - Si se proporcionan dispositivos para la conexión de extracción de polvo e instalaciones de recogida, asegúrese de que están conectados y se utilizan adecuadamente.**
La utilización de un sistema de recogida de polvo puede reducir los riesgos relacionados con el polvo.
- #### 4) Utilización y mantenimiento de las herramientas eléctricas
- No fuerce la herramienta eléctrica. Utilice la herramienta eléctrica correcta para su aplicación.**
La herramienta eléctrica correcta trabajará mejor y de forma más segura si se utiliza a la velocidad para la que fue diseñada.
 - No utilice la herramienta eléctrica si el interruptor no la enciende y apaga.**
Las herramientas eléctricas que no pueden controlarse con el interruptor son peligrosas y deben repararse.
 - Desconecte el enchufe de la fuente eléctrica y/o la batería de la herramienta eléctrica antes de hacer ajustes, cambiar accesorios o almacenar herramientas eléctricas.**
Estas medidas de seguridad preventivas reducen el riesgo de que la herramienta eléctrica se ponga en marcha accidentalmente.
 - Guarde las herramientas eléctricas que no se utilicen para que no las cojan los niños y no permita que utilicen las herramientas eléctricas personas no familiarizadas con las mismas o con estas instrucciones.**
Las herramientas eléctricas son peligrosas si son utilizadas por usuarios sin formación.
 - Mantenimiento de las herramientas eléctricas. Compruebe si las piezas móviles están mal alineadas o unidas, si hay alguna pieza rota u otra condición que pudiera afectar al funcionamiento de las herramientas eléctricas.**
Si la herramienta eléctrica está dañada, llévela a reparar antes de utilizarla.

Se producen muchos accidentes por no realizar un mantenimiento correcto de las herramientas eléctricas.

- f) **Mantenga las herramientas de corte afiladas y limpias.**
Las herramientas de corte correctamente mantenidas con los bordes de corte afilados son más fáciles de controlar.
- g) **Utilice la herramienta eléctrica, los accesorios y las brocas de la herramienta, etc. de acuerdo con estas instrucciones, teniendo en cuenta las condiciones laborales y el trabajo que se va a realizar.**

La utilización de la herramienta eléctrica para operaciones diferentes a aquellas pretendidas podría dar lugar a una situación peligrosa.

5) Revisión

- a) **Lleve su herramienta a que la revise un experto cualificado que utilice sólo piezas de repuesto idénticas.**
Esto garantizará el mantenimiento de la seguridad de la herramienta eléctrica.

PRECAUCIÓN

Mantenga a los niños y a las personas enfermas alejadas. Cuando no se utilicen, las herramientas deben almacenarse fuera del alcance de los niños y de las personas enfermas.

ADVERTENCIAS DE SEGURIDAD DEL MARTILLO PERFORADOR

- Utilice protectores de oídos**
La exposición al ruido puede causar daños auditivos.
- Utilice los mangos auxiliares proporcionados con la herramienta.**
La pérdida de control puede causar daños personales.
- No tocar la broca durante ni inmediatamente después de trabajar, puesto que se pone ardiente y puede causar quemaduras serias.
- Antes de empezar a romper, picar o perforar en una pared, suelo o techo, comprobar cuidadosamente que no hayan objetos empotrados, tales como cables o conductos eléctricos.
- Sujetar siempre firmemente el asidero del cuerpo y el asidero lateral de la herramienta. De lo contrario, la contrafuerza producida podría causar un funcionamiento impreciso e incluso peligroso.
- Utilice máscara para el polvo
No inhale el polvo dañino generado al perforar. El polvo puede poner en peligro su salud y la de los viandantes.

ESPECIFICACIONES

Voltaje (por áreas)*	(110V, 115V, 120V, 127V, 220V, 230V, 240V) ∩
Entrada	950 W*
Capacidad	Barrena: 40 mm Barrena tubular: 105 mm
Velocidad sin carga	240 – 480 min ⁻¹
Impacto a carga plena	1320 – 2650 min ⁻¹
Peso (sin cable ni mango lateral)	6,8 kg

* Verificar indefectiblemente los datos de la placa de características de la máquina, pues varían de acuerdo al país de destino.

ACCESORIOS ESTANDAR

- (1) Caja 1
 (2) Mango lateral 1
 (3) Tope 1
 (4) Grasa A para martillo 1
 Los accesorios estándar están sujetos a cambios sin previo aviso.

ACCESORIOS FACULTATIVOS (de venta por separado)

1. Perforación por orificio (Rotación + Martilleo)

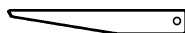


- (1) Barrena (Espiga SDS max)

Diámetro externo (mm)	Longitud total (mm)
16	340, 540
19	
22	320, 520
25	
28	370, 570
32	
38	
40	

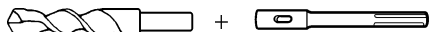
2. Perforación de orificio de anclaje (Rotación + Martilleo)

Barrena (espiga cónica)



(3) Cortadora

+



- (1) Barrena (espiga cónica) (2) Adaptador de espiga cónica (Espiga SDS max)
 Diámetro externo: 11, 12,3, 12,7, 14,3, 14,5, 17,5 mm

Adaptador de espiga cónica	Barrena aplicable
Cono Morse (Nº. 1)	Barrena (espiga cónica) 11, 12,3, 12,7, 14,3, 14,5, 17,5, mm

Adaptador para barrena de espiga SDS-plus



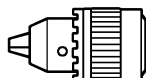
- (1) Barrena (SDS plus vástago) (2) Adaptador para barrena de espiga SDS-plus (Espiga SDS max)

3. Perforación de orificio de diámetro grande (Rotación + Martilleo)



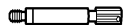
- (1) Pasador central (2) Pasador central (3) Espiga de barrena tubular (4) Barrena barrena tubular

- (1) Pasador central
 ● Aplicable a barrenas de 38 mm ~ 105 mm
 ● Aplicable a barrenas de 32 mm y 35 mm
NOTA
 No usar barrenas de 25 y 29 mm
- (2) Barrena
 ● Diámetro externo 25, 29, 32, 35, 38, 45, 54, 64, 79, 94, 105 mm (Con placa guía no aplicable a barrenas de 25 y 29 mm)
- (3) Espiga de barrena tubular
 ● Aplicable a barrenas de más de 38 mm
 ● Aplicable a barrenas de menos de 35 mm
4. Perforación Para taladrar materiales de metal y madera

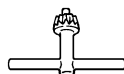


13 mm portabrocas (13VLA)

+



Adaptador del portabrocas (Espiga SDS max)



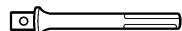
Liave de portabrocas

5. Trabajo de colocación de pernos para anclaje químico (Rotación + Martilleo)



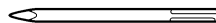
(Manguito adaptador a la venta el mercado)

+



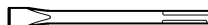
(Espiga SDS max) Adaptador de anclaje químico de 12,7 mm Adaptador de anclaje químico de 19 mm

6. Romper (Martilleo)



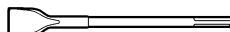
(1) Puntero Largo total: 280, 400 mm

7. Excavar, ranurado y rebordes (Martilleo)



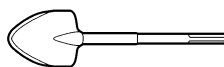
(1) Cortafrio Largo total: 280, 400 mm

8. Corte de asfalto (Martilleo)



(1) Cortadora

9. Trabajos con cuchara (Martilleo)



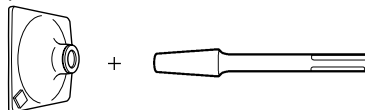
(1) Cuchara

10. Desbastadora de superficies (Martilleo)



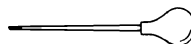
(1) Desbastadora (2) Barrena

11. Apisonamiento (Martilleo)



(1) Pisón 150 x 150 mm (2) Barrena

12. Jeringa (extracción de residuos)



- Grasa A para martillo 500 g (en una lata) 70 g (en un tubo naranja) 30 g (en un tubo naranja)

Los accesorios facultativos están sujetos a cambios sin previo aviso.

APLICACIONES

- Perforación de orificios en concreto
- Perforación de orificios de anclaje
- Romper hormigón, picar, cavar y cuartear (con accesorios opcionales)

ANTES DE LA PUESTA EN MARCHA

1. Alimentación

Asegurarse de que la alimentación de red que ha de ser utilizada responda a las exigencias de corriente especificadas en la placa de características del producto.

2. Conmutador de alimentación

Asegurarse de que el conmutador de alimentación esté en la posición OFF (desconectado). Si la clavija está conectada en la caja del enchufe mientras el conmutador de alimentación esté en posición ON (conectado) las herramientas eléctricas empezarán a trabajar inmediatamente, provocando un serio accidente.

3. Cable de prolongación

Cuando está alejada el área de trabajo de la red de alimentación, usar un cable de prolongación de un grosor y potencia normal suficiente. El cable de prolongación debe ser mantenido lo más corto posible.

4. Montaje de la herramienta

NOTA:
Para usar herramientas tales como el puntero y cortafío, usar siempre piezas genuinas Hitachi.

(1) Limpiar y engrasar la espiga con la grasa provista (Fig. 1)

(2) Para fijar la herramienta (espiga SDS max), insértela en el orificio hasta que entre en contacto con el extremo interior del mismo, como se muestra en la Fig. 2.

Si continúa girando la herramienta con una ligera presión, podrá sentir un punto en el que note un obstáculo. En tal punto, tire del mango lateral en el sentido de la marca de flecha e inserte la herramienta completamente hasta que entre en contacto con el extremo interior.

Al soltar el mango, éste volverá y asegurará la herramienta en su lugar.

(3) Tire de la herramienta y compruebe que se encuentre completamente bloqueada.

(4) Para extraer la herramienta, tire completamente de la empuñadura en el sentido de la flecha y tire hacia afuera de la herramienta.

5. Regulación del número de rotaciones y martilleo (Fig. 3)

Este martillo perforador está provisto de un circuito de control electrónico que puede ajustar y regular el número de rotaciones y veces de martilleo. Este martillo perforador podrá utilizarse ajustando el dial, dependiendo del contenido de la operación, como perforación en materiales frágiles, para cortar con escoplo, centrar, etc.

La escala '1' del dial corresponde a la velocidad mínima con un número de 240 rotaciones por minuto y 1320 veces de martilleo por minuto. La escala '6' corresponde a la velocidad máxima con un número de 480 rotaciones por minuto y 2650 veces de martilleo por minuto.

PRECAUCION:

No ajuste el dial durante la operación. Si lo hiciese, podría dañarse porque tendría que sujetar el martillo perforador con una sola mano, y perdería el control estable del mismo.

PRECAUCION:

Aunque este aparato se equipa con un embrague de seguridad, si se atasca la barrena de taladrar en el hormigón u otro material semejante, puede pasar que, al atascarse la barrena, el cuerpo del martillo gire en dirección opuesta.

Asegurarse entonces de que el mango principal y el lateral están bien empuñados durante el uso de esta herramienta.

2. Forma de picar o romper (Fig. 5)

Aplicando la punta de la barrena en posición de picar o romper, hacer funcionar el martillo perforador aplicando su propio peso.

No es necesario presionar o empujar excesivamente.

3. Cuando taladre con "rotación + martilleo":

PRECAUCION:

Si cambia la palanca selectora mientras el motor esté girando, la herramienta puede comenzar a girar bruscamente, lo que puede resultar en accidentes inesperados. Cerciérese de cambiar la palanca selectora cuando el motor esté completamente parado.

(1) Cambio a "rotación + martilleo"

(a) Apriete el botón, desbloquee la palanca selectora y gírela en el sentido de las agujas del reloj.

(b) Alinee la marca ▲ de la palanca selectora y el T del sujetador de palanca, tal como se muestra en la Fig. 6.

(c) Suelte el botón para bloquear la palanca selectora.

NOTA:

Gire la palanca selectora (no apriete el botón) para comprobar que esté completamente bloqueada y cerciorarse de que no gire.

4. Para cortar con escoplo y triturar en el modo de "martilleo":

PRECAUCION:

○ Si cambia la palanca selectora mientras el motor esté girando, la herramienta puede comenzar a girar bruscamente, lo que puede resultar en accidentes inesperados. Cerciérese de cambiar la palanca selectora cuando el motor esté completamente parado.

○ Si utiliza la barreta de punta o el cortafío en la posición de "rotación + martilleo", la herramienta puede comenzar a girar, lo que puede resultar en accidentes inesperados. Cerciérese de utilizarlos en la posición de "martilleo".

(1) Cambio a "martilleo"

(a) Apriete el botón, desbloquee la palanca selectora y gírela en el sentido contrario a las agujas del reloj.

(b) Alinee la marca ▲ de la palanca selectora y el T del sujetador de palanca, tal como se muestra en la Fig. 7.

(c) Suelte el botón para bloquear la palanca selectora.

NOTA:

Gire la palanca selectora (no apriete el botón) para comprobar que esté completamente bloqueada y cerciorarse de que no gire.

(2) Cuando fije las posiciones de trabajo de herramientas tales como cortafío, etc.,

(a) Apriete el botón, desbloquee la palanca selectora y gírela.

Alinee la marca ▲ de la palanca selectora y el © del sujetador de palanca, tal como se muestra en la Fig. 8.

Suelte el botón para bloquear la palanca selectora.

MODO DE UTILIZACION

1. Taladrar orificios (Fig. 4)

(1) Oprimir el interruptor de operación luego de apoyar la punta de la barrena en la posición de taladrar.

(2) No es necesario presionar el cuerpo principal del martillo perforador. Es suficiente con empujar ligeramente el martillo de taladrar teniendo en cuenta que los materiales saltan libremente, al taladrar.

- (c) Gire la palanca selectora como se muestra en la **Fig. 9** y fije la herramienta en la dirección de trabajo deseada.
- (d) Cambia la palanca selectora a “martilleo” de acuerdo con los procedimientos mencionados en el ítem (1) anterior y asegure la posición de la herramienta.

5. Instalar el tope (Fig. 10)

- (1) Alfojar el mango lateral e insertar la parte recta del tope en el orificio del perno de manija.
- (2) Aflojar el mango lateral, y mover el tope a la posición especificada y rotar la empuñadura del mango lateral a la derecha para fijar el tope.

6. Calentamiento (Fig. 11)

El sistema de lubricación de esta unidad puede requerir calentamiento en ciertas regiones. Coloque el extremo de la broca de forma que entre en contacto con el hormigón, ponga en ON el interruptor de alimentación principal de la unidad, y realice la operación de calentamiento. Cerciórese de que se produzca un sonido de martilleo, y después utilice la unidad.

PRECAUCION:

Cuando haya realizado la operación de calentamiento, sujete con seguridad el mango lateral y el cuerpo principal con ambas manos para asegurar una buena sujeción y tenga cuidado de no torcer su cuerpo mediante una broca atascada.

PERFORACION E INCRUSTACION DE ANCLAJES

1. Cuando se use un adaptador de espiga cónica. (Fig. 12)

- (1) Instalar la barrena en el adaptador de espiga cónica.
- (2) Conectar el aparato y perforar un orificio base a una profundidad correspondiente a la ranura indicadora del tope en el orificio del perno de manija por la de la barrena.
- (3) Luego, limpiar el polvo con una jeringa, colocar el tapón en la punta del anclaje e insertar éste con un martillo manual.
- (4) Para quitar la broca (espiga ahusada), insertar la chaveta en la ranura del adaptador de la espiga ahusada y golpear la cabeza de la chaveta con un martillo. Usar apoyos como se muestra en la **Fig. 13**.

UTILIZACIÓN DE PORTABARRENAS Y EL ADAPTADOR PARA PORTABARRENAS

Tenga en cuenta que esta máquina podrá utilizarse en “rotación solamente” si le instala piezas vendidas aparte, tales como portabarrenas y adaptador para portabarrenas. Utilícela con la palanca selectora en la posición de “rotación + martilleo”.

PRECAUCION:

Durante la operación, cerciórese de sujetar firmemente el mango y el mando lateral para evitar que su cuerpo se balancee.

- (1) Cambio a “rotación + martilleo”
Para cambiar a “rotación + martilleo”, realice los mismos procedimientos que los mencionados en [3. Cuando taladre con “rotación + martilleo”].
- (2) Fijación del adaptador para portabarrenas al portabarrenas (**Fig. 14**)

- (a) Fije el adaptador para portabarrenas al portabarrenas.
- (b) La espiga SDS max del adaptador para portabarrenas es equivalente a la barrena. Por lo tanto, para la instalación y el desmontaje, realice el mismo procedimiento que el mencionado en [Montaje de la herramienta].

(3) Taladrado

- (a) Aunque aplique más de la presión requerida al cuerpo de la máquina, el taladrado no se realizará con mayor rapidez de la esperada. Por el contrario, la aplicación de mayor presión de la necesaria dañará la punta de la barrena, lo que resultará en reducción de la eficacia del trabajo y en acortamiento de la duración útil de esta máquina.
- (b) La barrena puede partirse a veces cuando el taladrado esté a punto de finalizarse. Es muy importante que usted reduzca la presión cuando esté a punto de terminar el taladrado.

USO DE BARRENA TUBULAR

Cuando se usa una barrena tubular, pueden perforarse orificios grandes y orificios ciegos. En este caso, hay que emplear los accesorios opcionales para barrenas tubulares (tales como el pasador central y la espiga de barrena tubular) para trabajar de modo más racional.

1. Montaje

PRECAUCION:

Antes de montar una barrena tubular, siempre hay que desenchar el aparato del tomacorriente de la pared.

- (1) Colocar la barrena tubular en la espiga correspondiente. (**Fig. 15**)
Antes de ello, agregar aceite en la parte de rosca de la barrena tubular para facilitar el desmontaje.
- (2) Colocar la barrena tubular en el cuerpo principal del taladro del mismo modo que se hizo con la barrena y el puntero. (**Fig. 16**)
- (3) Insertar el pasador central en la placa guía hasta que alcance la extremidad.
- (4) Colocar la placa guía alineando su parte cóncava con la punta de la barrena tubular. Cuando la posición de la parte cóncava se cambia, girando la placa guía a derecha o izquierda, ésta nunca debe salirse, aún cuando el taladro se use en dirección hacia abajo. (**Fig. 17**)

2. Perforación

- (1) Enchar el aparato en el tomacorriente de pared.
- (2) El pasador central tiene un resorte incluido y, presionándolo levemente y en forma recta, se pone en contacto toda la superficie de la punta de la barrena para comenzar a taladrar. (**Fig. 18**)
- (3) Cuando el orificio alcanza una profundidad de 5 mm la posición del orificio puede determinarse perfectamente. Luego, quitar el pasador central y la placa guía de la barrena tubular y continuar taladrando.

PRECAUCION:

Cuando se quita el pasador central y la placa guía, siempre hay que desenchar el aparato del tomacorriente.

3. Desmontaje de la barrena tubular

- Sosteniendo el taladro (con la barrena tubular puesta) en posición invertida, accionar el taladro para que repita la operación de impacto dos o tres

veces con ello, se afloja el tornillo y el taladro queda listo para desarmarse. (Fig. 19)

- Quitar la espiga de la barrena tubular del taladro, sosteniendo la barrena tubular con una mano y golpear con fuerza la cabeza de la parte la espiga SDS max de la espiga de la barrena tubular, con un martillo manual dos o tres veces, para aflojar el tornillo de cabeza redonda, con lo cual, el taladro queda listo para desarmarse. (Fig. 20)

CAMBIO DE GRASA

Esta máquina es de construcción completamente cerrada, para evitar que entre polvo y haya fugas de lubricante. Por ello, la herramienta puede usarse sin lubricarse por largos periodos. Cuando se requiere cambiar la grasa, proceder como sigue.

1. Periodo de cambio de grasa

Luego de adquirir la herramienta, cambiarle la grasa cada 6 meses de uso. Consultar para ello con el agente de servicio Hitachi autorizado. Procedimiento de cambio de grasa.

2. Rellenado de grasa

PRECAUCION:

Antes de rellenar de grasa, desconectar el aparato y desenchararlo del tomacorriente.

- (1) Quitar la cubierta de la manivela y limpiar la grasa interna. (Fig. 21)
- (2) Aplicar 30 g de grasa para martillo eléctrico Hitachi tipo A (accesorio normales, contenida en tubo) en el cárter.
- (3) Luego de rellenar la grasa, instalar firmemente la cubierta de la manivela.

NOTA:

La grasa A del martillo eléctrico Hitachi es del tipo de baja densidad. Si es necesario, siempre adquirir la grasa a un agente de servicio Hitachi autorizado.

MANTENIMIENTO E INSPECCION

1. Inspección de la herramienta

Ya que la utilización de una herramienta de corte embotada disminuirá la eficiencia de trabajo y podría causar desperfectos en el motor, afilar o cambiar las herramientas de corte tan pronto como se note abrasión en éstas.

2. Inspeccionar los tornillos de montaje

Regularmente inspeccionar todos los tornillos de montaje y asegurarse de que estén apretados firmemente. Si cualquier tornillo estuviera suelto, volver a apretarlo inmediatamente. El no hacer esto provocaría un riesgo serio.

3. Mantenimiento de motor

La unidad de bobinado del motor es el verdadero "corazón" de las herramientas eléctricas. Prestar el mayor cuidado y asegurarse de que el bobinado no se dañe y/o se humedezca con aceite o agua.

4. Inspeccionar los carbones de contacto (Fig. 22)

El motor emplea escobillas de carbón que son partes consumibles. Cuando se gastan o están cerca del "límite de desgaste" pueden causar problemas al motor. Al equiparse la escobilla de carbón de parada automática, el motor se detendrá automáticamente en ese momento hay que proceder a cambiar ambas escobillas de carbón por las nuevas,

que tienen los mismos números de escobillas de carbón como se muestra en la figura. Además siempre hay que mantener las escobillas de carbón limpias y asegurarse de que se muevan libremente en sus porta-escobillas.

5. Cambio de escobillas de carbón

Quitar la cubierta de cola y luego aflojar el tornillo de fijación. Aflojando la tapa de escobilla, pueden quitarse las escobillas de carbón, al colocar las escobillas, apretar firmemente la tapa de escobillas y recolocar la cubierta con dos tornillos.

6. Lista de repuestos

PRECAUCION:

La reparación, modificación e inspección de las herramientas eléctricas Hitachi deben ser realizadas por un Centro de Servicio Autorizado de Hitachi. Esta lista de repuestos será de utilidad si es presentada junto con la herramienta al Centro de Servicio Autorizado de Hitachi, para solicitar la reparación o cualquier otro tipo de mantenimiento. En el manejo y el mantenimiento de las herramientas eléctricas, se deberán observar las normas y reglamentos vigentes en cada país.

MODIFICACIONES:

Hitachi Power Tools introduce constantemente mejoras y modificaciones para incorporar los últimos avances tecnológicos.

Por consiguiente, algunas partes pueden ser modificadas sin previo aviso.

GARANTÍA

Las herramientas motorizadas de Hitachi incluye una garantía conforme al reglamento específico legal/nacional. Esta garantía no cubre los defectos o daños debidos al uso incorrecto, el abuso o el desgaste normal. En caso de reclamación, envíe la herramienta motorizada, sin desmontar y con el CERTIFICADO DE GARANTÍA que aparece al final de estas instrucciones de uso, al Centro de Servicio Autorizado de Hitachi.

NOTA:

Debido al programa continuo de investigación y desarrollo de HITACHI estas especificaciones están sujetas a cambio sin preaviso.

Información sobre el ruido propagado por el aire y vibración

Los valores medidos se determinaron de acuerdo con EN60745 declararon de conformidad con ISO 4871.

Nivel de potencia auditiva ponderada A: 104 dB (A)
Nivel de presión auditiva ponderada A: 93 dB (A)
Duda KpA: 3 dB (A)

Utilice protectores para los oídos.

Valores totales de la vibración (suma de vectores triax.)
determinados de acuerdo con EN60745.

Perforación de martillo en hormigón:

Valor de emisión de la vibración **a_h**, **HD** = 8,3 m/s²
Incertidumbre K = 1,5 m/s²

Valor de labrado equivalente:

Valor de emisión de la vibración **a_h**, **Cheq** = 4,6 m/s²
Incertidumbre K = 1,5 m/s²

ADVERTENCIA

- El valor de emisión de la vibración durante la utilización de la herramienta eléctrica puede ser diferente del valor declarado dependiendo de las formas de utilización de la herramienta.
- Para identificar las medidas seguras para proteger al operario basadas en una estimación de exposición en las condiciones reales de uso (teniendo en cuenta todas las partes del ciclo de funcionamiento como tiempos cuando la herramienta está apagada y cuando funciona lentamente además del tiempo de activación).

AVISOS GERAIS DE SEGURANÇA PARA A FERRAMENTA ELÉCTRICA

⚠ AVISO

Leia todas as instruções e avisos de segurança.

Se não seguir todas as instruções e os avisos, pode provocar um choque eléctrico, incêndio e/ou ferimentos graves.

Guarde todos os avisos e instruções para referência futura. O termo “ferramenta eléctrica” em todos os avisos refere-se à sua ferramenta ligada à corrente (com fios) ou à ferramenta eléctrica a baterias (sem fios).

1) Segurança da área de trabalho

- a) Mantenha a área de trabalho limpa e bem iluminada.

As áreas escuras ou cheias de material são propícias aos acidentes.

- b) Não trabalhe com ferramentas eléctricas em ambientes explosivos, tais como na presença de líquidos inflamáveis, gases ou pó.

As ferramentas eléctricas criam faíscas que podem inflamar o pó dos fumos.

- c) Mantenha as crianças e outras pessoas afastadas quando trabalhar com uma ferramenta eléctrica.

As distrações podem fazer com que perca controlo.

2) Segurança eléctrica

- a) As fichas da ferramenta eléctrica devem corresponder às tomadas.

Nunca modifique a ficha.

Não utilize fichas adaptadoras com ferramentas eléctricas ligadas à terra.

As fichas não modificadas e tomadas correspondentes reduzirão o risco de choques eléctricos.

- b) Evite contacto corporal com superfícies ligadas à terra, tais como tubos, radiadores, máquinas e frigoríficos.

Existe um risco acrescido de choque eléctrico se o seu corpo estiver ligado à terra.

- c) Não exponha ferramentas eléctricas à chuva ou condições de humidade.

A entrada de água numa ferramenta eléctrica aumentará o risco de choques eléctricos.

- d) Não abuse do fio. Nunca utilize o fio para transportar, puxar ou desligar a ferramenta eléctrica.

Mantenha o fio afastado do calor, óleo, margens afiadas ou peças em movimento.

Os fios danificados ou entrelaçados podem aumentar o risco de choques eléctricos.

- e) Quando trabalhar com uma ferramenta eléctrica no exterior, utilize uma extensão adequada para utilização exterior.

A utilização de um fio adequado para utilização no exterior reduz o risco de choques eléctricos.

- f) Se não for possível evitar a utilização de uma máquina eléctrica num local húmido, utilize uma fonte de alimentação protegida por um dispositivo de corrente residual (RCD).

A utilização de um RCD reduz o risco de choque eléctrico.

3) Segurança pessoal

- a) Mantenha-se alerta, esteja atento ao que está a fazer e utilize senso comum quando trabalhar com uma ferramenta eléctrica.

Não utilize uma ferramenta eléctrica quando estiver cansado ou sob a influência de drogas, álcool ou medicamentos.

Um momento de desatenção enquanto trabalha com ferramentas eléctricas pode resultar em ferimentos pessoais graves.

- b) Utilize equipamento de protecção pessoal. Utilize sempre protecção para os olhos.

O equipamento de protecção, tal como uma máscara de pó, sapatos de segurança antiderrapantes, chapéu rígido ou protecção auricular utilizados para condições adequadas reduzirá os ferimentos pessoais.

- c) Evite ligar por acidente. Certifique-se de que o interruptor está na posição de desligado antes de ligar a fonte de alimentação e/ou bateria, levantar o interruptor ou transportar a ferramenta.

Transportar ferramentas eléctricas com o dedo no interruptor ou ativar ferramentas que estão com o interruptor ligado é propício a acidentes.

- d) Remova qualquer chave de parafusos ou chave-inglesa de regulação antes de ligar a ferramenta.

Uma chave-inglesa ou de parafusos ligada à parte rotativa da ferramenta pode provocar ferimentos pessoais.

- e) Não se estique. Mantenha sempre o controlo e equilíbrio adequados.

Isto permite obter um melhor controlo da ferramenta em situações inesperadas.

- f) Use vestuário adequado. Não use roupas largas ou jóias. Mantenha o cabelo, roupas e luvas afastados das peças móveis.

As roupas largas, jóias ou cabelo comprido podem ser apanhados em peças móveis.

- g) Se forem fornecidos dispositivos para a ligação de extractores de pó e dispositivos de recolha, certifique-se de que estes estão ligados e são utilizados adequadamente.

A utilização de uma recolha de pó pode reduzir os perigos relacionados com o pó.

4) Utilização da ferramenta e manutenção

- a) Não force a ferramenta eléctrica. Utilize a ferramenta correcta para a sua aplicação.

A ferramenta correcta fará o trabalho melhor e com mais segurança à velocidade para a qual foi concebida.

- b) Não utilize a ferramenta eléctrica se o interruptor não a ligar ou desligar.

Qualquer ferramenta que não possa ser controlada com o interruptor é perigosa e deve ser reparada.

- c) Desligue a ficha da rede antes e/ou a bateria da ferramenta eléctrica antes de efectuar quaisquer regulações, mudar os acessórios ou guardar ferramentas eléctricas.

Tais medidas de segurança de prevenção reduzem o risco de ligar a ferramenta eléctrica acidentalmente.

- d) Guarde as ferramentas eléctricas fora do alcance de crianças e não permita que pessoas não habituadas à ferramenta eléctrica ou estas instruções trabalhem com a ferramenta.

As ferramentas eléctricas são perigosas nas mãos de utilizadores inexperientes.

- e) Efectue a manutenção de ferramentas eléctricas. Verifique a existência de desalinhamentos ou dobragens das peças móveis, quebras de peças e quaisquer outras condições que possam afectar o funcionamento das ferramentas eléctricas.

Se danificada, mande reparar a ferramenta antes de utilizar.

Muitos acidentes são causados por ferramentas com má manutenção.

f) Mantenha as ferramentas de corte afiadas e limpas.

As ferramentas de corte com uma manutenção adequada e extremidades afiadas são menos propensas a dobrar e mais fáceis de controlar.

g) Utilize a ferramenta eléctrica, acessórios e pontas de ferramentas, etc., de acordo com estas instruções, tomando em consideração as condições de trabalho e o trabalho a ser efectuado.
A utilização de uma ferramenta eléctrica para operações diferentes das concebidas pode resultar num mau funcionamento.

5) Manutenção

a) Faça a manutenção da sua ferramenta eléctrica por um pessoal de reparação qualificado e utilize apenas peças de substituição idênticas.

Isto garantirá que a segurança da ferramenta eléctrica é mantida.

AVISO

Mantenha afastadas das crianças e pessoas doentes. Quando não estiverem a ser utilizadas, as ferramentas devem ser guardadas fora do alcance de crianças e pessoas doentes.

AVISOS DE SEGURANÇA DO MARTELO PERFURADOR

1. Use protectores auditivos

A exposição ao ruído pode provocar a perda de audição

2. Utilize as empunhadeiras auxiliares fornecidas com a ferramenta.

A perda de controlo pode provocar lesões.

3. Não toque o palhetão durante ou imediatamente depois da operação. O palhetão fica muito quente durante a operação e pode causar graves queimaduras.

4. Antes de começar a quebrar, cortar ou furar paredes, chão ou teto, verifique minuciosamente se não existem cabos elétricos ou condutos embutidos nesses locais.

5. Segure sempre com firmeza as empunhadeiras do corpo e lateral da ferramenta eléctrica. Se isto não for feito, a força contrária produzida pode resultar numa operação imprecisa e até mesmo perigosa.

6. Use uma máscara de poeira

Não inale as poeiras nocivas produzidas nos trabalhos de perfuração e burilagem. As poeiras podem pôr em perigo a sua saúde e a dos que o rodeiam.

ESPECIFICAÇÕES

Voltagem (por áreas)*	(110V, 115V, 120V, 127V, 220V, 230V, 240V) \sim
Potência de entrada	950 W*
Capacidade	Broca: 40 mm Núcleo de broca: 105 mm
Rotação sem carga	240 – 480 min ⁻¹
Taxa de impacto com carga completa	1320 – 2650 min ⁻¹
Peso (sem fio nem empunhadura lateral)	6,8 kg

*Não deixe de verificar a voltagem na placa identificadora constante do produto, pois ela está sujeita a mudanças conforme a área.

ACESSÓRIOS-PADRÃO

- (1) Estojo 1
 (2) Empunhadura lateral 1
 (3) Tampão 1
 (4) Lubrificante de martelo A 1
 Os acessórios-padrão estão sujeitos a mudanças sem aviso prévio.

**ACESSÓRIOS OPCIONAIS
(vendidos separadamente)**

1. Perfuração do orifício (Rotação + Martelamento)

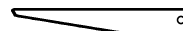


- (1) Broca (cabo SDS max)

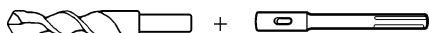
Diâmetro externo	Comprimento total (mm)
16	340, 540
19	
22	
25	320, 520
28	
32	
38	370, 570
40	

2. Perfuração do orifício com âncora (Rotação + Martelamento)

Broca (cabo cônico)



- (3) Cavilha
+



- (1) Broca (cabo cônico) (2) Adaptador do cabo cônico
 Diâmetro externo: (Cabo SDS max)
 11, 12,3, 12,7, 14,3, 14,5, 17,5 mm

Adaptador do cabo cônico	Broca de aplicação
Cone Morse (nº 1)	Broca (cabo cônico) 11, 12,3, 12,7, 14,3, 14,5, 17,5 mm

Adaptador para cabo de broca SDS-plus



- (1) Broca (cabo SDS-plus) (2) Adaptador para cabo de broca SDS-plus (cabo SDS max)

3. Perfuração de orifícios de grande diâmetro (Rotação + Martelamento)



- (Placa-guia) (1) Pino central (2) Núcleo de broca (3) Cabo do núcleo de broca

(1) Pino central

- Aplicado aos núcleos de brocas de 38 mm a 105 mm
- Aplicado aos núcleos de brocas de 32 mm e 35 mm

NOTA:

Não utilize núcleos de brocas de 25 mm ou 29 mm.

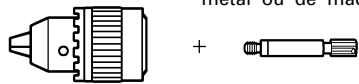
(2) Núcleo de broca

- Diâmetro externo de 25, 29, 32, 35, 38, 45, 54, 64, 79, 94, 105 mm (com placa-guia, não aplicáveis aos núcleos de 25 mm ou 29 mm.)

(3) Cabo do núcleo de broca

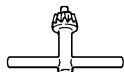
- Aplicado aos núcleos de brocas acima de 38 mm
- Aplicado aos núcleos de brocas abaixo de 35 mm

4. Perfuração de orifícios ... Para perfurar materiais de metal ou de madeira



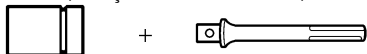
Mandril de 13 mm (13 VLA)

Adaptador de mandril (cabo SDS max)



Chave de mandril

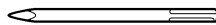
5. Operação de colocação de parafuso com Âncora Química (Rotação + Martelamento)



(Encaixe padrão do mercado)

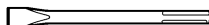
(Cabo SDS max)
 Adaptador de Âncora Química de 12,7 mm
 Adaptador de Âncora Química de 19 mm

6. Trituração (Martelamento)



- (1) Ponta macho
 Comprimento total: 280, 400 mm

7. Perfurar ranhuras e fresar (Martelamento)



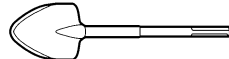
- (1) Cinzel de entalhe
 Comprimento total: 280, 400 mm

8. Corte de asfalto (Martelamento)



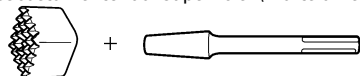
- (1) cortador

9. Trabalho de cavar (Martelamento)



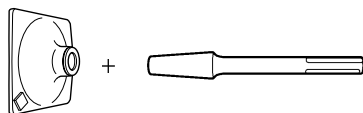
- (1) Pá

10. Desbastamento da superfície (Martelamento)



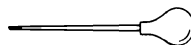
- (1) Ferramenta de embuchamento (2) Cabo de ferramenta

11. Socadura (Martelamento)



- (1) Soquete 150 x 150 mm (2) Cabo de ferramenta

12. Seringa (para retirada de lascas)



- Lubrificante A de martelo
 500 g (em lata)
 70 g (num tubo verde)
 30 g (num tubo verde)

Os acessórios opcionais estão sujeitos a mudanças sem aviso prévio.

APLICAÇÕES

- Fazer orifícios em concreto
- Fazer orifícios âncora
- Triturar concreto, despedaçar, escavar, e esquadriar (utilizando acessórios opcionais)

ANTES DA OPERAÇÃO

1. Fonte de energia

Certifique-se de que a fonte de energia a ser utilizada está conforme às exigências especificadas na placa identificadora do produto.

2. Interruptor

Certifique-se de que o interruptor está na posição DESLIGADA. Se o plugue estiver conectado a um receptáculo quando o interruptor estiver LIGADO, a ferramenta elétrica vai começar a operar imediatamente, podendo provocar um grave acidente.

3. Cabo de extensão

Quando o local de trabalho não possuir uma fonte de energia, utilize um cabo de extensão de espessura e de potência nominal suficientes. A extensão deve ser mantida tão curta quanto possível.

4. Como instalar a ferramenta**NOTA:**

Para ferramentas como ponta macho e cinzel de entalhe, use somente peças genuínas da Hitachi.

- (1) Limpe o cabo da ferramenta e depois cubra-o com o lubrificante fornecido no tubo verde (Fig. 1).
 - (2) Para prender a ferramenta (cabo SDS max), insira-a no orifício até que ela entre em contato com a extremidade dele, como ilustra a Fig. 2. Se continuar a girar a ferramenta com um leve pressão, poderá sentir um local onde existe um engate. Nesse local, empurre o cabo até a direção de uma marca de seta e insira a ferramenta totalmente até que ela atinja a extremidade. Soltando o cabo ele fica invertido e isso prende a ferramenta no lugar.
 - (3) Aperte a ferramenta para se certificar de que está completamente travada.
 - (4) Para retirar a ferramenta, empurre totalmente o cabo na direção da seta e puxe a ferramenta para fora.
- 5. Regulagem do número de rotações e martelamentos (Fig. 3)**

O Martelo Perfurador está equipado com um circuito de controle eletrônico embutido que pode ajustar e regular o número de rotações e de martelamentos. Este Martelo Perfurador pode ser usado, ajustando-se o dial, dependendo do tipo de operação, como por exemplo fazer orifícios em materiais frágeis, cinzelamento, centramento, etc.

A escala "1" do dial está designada para uma velocidade mínima com o número de 240 rotações por minuto e 1320 martelamentos por minuto. A escala "6" está designada para uma velocidade máxima com o número de 480 rotações por minuto e 2650 martelamentos por minuto.

CUIDADO:

Não ajuste o dial durante a operação. Se fizer isto, pode causar um ferimento porque esta ferramenta deve ser segurada com apenas uma mão, e qualquer movimento imprevisto pode desestabilizar o controle do Martelo Perfurador.

MODO DE USAR O MARTELO GIRATÓRIO**1. Como fazer orifícios (Fig. 4)**

- (1) Aperte o gatilho do interruptor depois de colocar a broca na posição de perfuração.
- (2) Não é necessário apertar com força o corpo do martelo giratório. É suficiente apertá-lo levemente de tal maneira que as aparas possam sair livremente.

CUIDADO:

Embora esta máquina seja equipada com uma garra de segurança, se a broca ficar retida no concreto ou em outros materiais, o bloqueio resultante da broca pode fazer com que o corpo da máquina gire em reação. Certifique-se de segurar com firmeza o cabo principal e a empunhadura lateral durante a operação.


2. Como usar o cinzel e o tritador (Fig. 5)

Aplicando a broca na posição de cinzelamento ou de trituração, opere o martelo giratório utilizando seu peso vazio.

São desnecessários pressão ou impulso bruscos.

3. Ao perfurar no modo "rotação + martelamento":**CUIDADO:**


Se você ligar o seletor enquanto o motor estiver girando, a ferramenta pode começar a girar abruptamente, resultando em acidentes inesperados. Certifique-se de ligar o seletor somente quando o motor estiver completamente parado.

- (1) Ligação em "rotação + martelamento"
 - (a) Aperte o botão, solte a trava e gire o seletor no sentido horário.
 - (b) Alinhe o ▲ do seletor com o  do suporte da alavanca como mostra a Fig. 6.
 - (c) Solte o botão para travar o seletor.

NOTA:


Gire o seletor (não aperte o botão) para verificar se ele está completamente travado e se certificar de que ele não gira.

4. Ao lascar e esmigalhar no modo "martelamento":**CUIDADO:**

- Se o seletor for ligado enquanto o motor estiver girando, a ferramenta pode começar a girar abruptamente, resultando em acidentes inesperados. Certifique-se de ligar o seletor somente quando o motor estiver completamente parado.
 - Se o ponto macho ou a talhadeira forem usados na posição de "rotação + martelamento", a ferramenta pode começar a girar, resultando em acidentes inesperados. Certifique-se de que eles são usados na posição de "martelamento".
- (1) Para mudar para "martelamento"
 - (a) Aperte o botão, solte a trava e gire o seletor no sentido antihorário.
 - (b) Alinhe o ▲ do seletor com o  do suporte da alavanca como mostra a Fig. 7.
 - (c) Solte o botão para travar o seletor.

NOTA:

Gire o seletor (não aperte o botão) para verificar se ele está completamente travado e se certificar de que ele não gira.

- (2) Para determinar as posições de trabalho das ferramentas tais como o cinzel de entalhe, etc.,
 - (a) Aperte o botão, solte a trava e gire o seletor. Alinhe o ▲ do seletor com o  do suporte da alavanca como mostra a Fig. 8.
 - (b) Solte o botão para travar o seletor.
 - (c) Gire o cabo como mostra a Fig. 9 e prenda a ferramenta na direção desejada para o trabalho.
 - (d) Ligue o seletor na posição "martelamento" de acordo com os procedimentos mencionados no item (1) acima e mantenha a posição da ferramenta.

5. Instalação do bloqueador (Fig. 10)

- (1) Afrouxe a empunhadura lateral e insira a porção reta do bloqueador no orifício do parafuso do cabo.
- (2) Mova o bloqueador para a posição especificada e gire o cabo da empunhadura lateral no sentido horário para fixar o bloqueador.

6. Esquentamento (Fig. 11)

O sistema de lubrificação deste aparelho pode necessitar de esquentamento em regiões frias. Posicione a extremidade da broca de maneira que ela entre em contato com o concreto, ligue o interruptor e execute a operação de esquentamento. Certifique-se de que ouve um som de batida e, então, utilize o aparelho.

CUIDADO:

Quando a operação de aquecimento é executada, segure bem a empunhadura lateral e o corpo principal com ambas as mãos para manter a firmeza e tenha cuidado para não inclinar seu corpo devido a uma broca emperrada.

OPERAÇÕES DE PERFURAÇÃO E FINCAMENTO DE ÂNCORAS

1. Ao usar um adaptador de cabo cônico (Fig. 12)

- (1) Instale a broca com o cabo cônico no adaptador de cabo cônico.
- (2) Ligue a ferramenta e faça um furo de base na profundidade sondada pela indicação da ranhura na broca.
- (3) Depois de limpar a poeira com uma seringa, prenda o plugue na ponta da âncora e finque -a com um martelo manual.
- (4) Para retirar a broca (cabo cônico), insira a cavilha na abertura do adaptador de cabo cônico e bata na cabeça da cavilha com um martelo manual apoiado numa base. (Fig. 13)

USO DO MANDRIL, ADAPTADOR DO MANDRIL

Observe que esta máquina pode ser usada no modo de “somente rotação” se as peças vendidas separadamente tais como um mandril e um adaptador de mandril estiverem anexadas. Use-a com o seletor posicionado em “rotação + martelamento”.

CUIDADO:

Durante a operação, certifique-se de segurar firmemente o cabo e a empunhadura lateral para evitar a oscilação do seu corpo.

- (1) Mudança para “rotação + martelamento”

Para mudar para “rotação + martelamento”, siga os mesmos procedimentos mencionados em [3. Ao perfurar no modo “rotação + martelamento”].

- (2) Para prender o adaptador de mandril ao mandril (Fig. 14)

- (a) Prenda o adaptador de mandril ao mandril.
- (b) O cabo SDS max do adaptador de mandril é equivalente à broca. Portanto, siga o mesmo procedimento de [Como instalar a ferramenta] para prender e soltar.

- (3) Perfuração

- (a) Mesmo se você aplicar uma pressão maior do que a necessária ao corpo da máquina, nunca será possível executar perfurações tão

rapidamente como você espera. Aplicar mais força ou pressão ao corpo da máquina do que necessário, ao contrário, danifica a broca, resultando em uma redução na eficiência do trabalho e na vida útil desta máquina.

- (b) Às vezes uma broca pode romper-se quando a perfuração estiver quase terminando. É importante relaxar sua força de compressão no final da execução do trabalho de perfuração

COMO MANUSEAR UM NÚCLEO DE BROCA

Quando um núcleo de broca é usado, pode-se perfurar orifícios de diâmetros maiores e furos cegos. Neste caso, use acessórios opcionais para núcleos de brocas (como um pino central e cabo de núcleo de broca) para uma operação mais eficaz.

1. Montagem

CUIDADO:

Antes de montar um núcleo de broca, desconecte sempre o plugue da tomada.

- (1) Monte o núcleo de broca no cabo do núcleo de broca. (Fig. 15)
Antes disso, coloque um pouco de óleo na parte de parafuso do cabo de núcleo de broca para uma desmontagem fácil.
- (2) Monte o cabo do núcleo de broca no corpo principal da mesma maneira que na montagem da broca e da ponta macho. (Fig. 16)
- (3) Insira o pino central na placa-guia até que ele atinja a extremidade.
- (4) Prenda a placa-guia alinhando sua parte côncava com a ponta do núcleo da broca. quando a posição da parte côncava for mudada ao girar a placa-guia para a direita ou para a esquerda, ela não desliza mesmo quando a broca é usada numa direção para baixo. (Fig. 17)

2. Perfuração de orifícios

- (1) Insira o plugue na tomada.
- (2) Existe uma mola no pino central. Pressionando-se em linha reta e delicadamente na parede ou na superfície do chão, a superfície inteira da ponta do núcleo de broca consegue contato para iniciar o trabalho de fazer um furo. (Fig. 18)
- (3) Quando a profundidade do furo atingir aproximadamente 5 mm, a posição do furo pode ser determinada. Então retire o pino central e a placa-guia do núcleo de broca e continue o trabalho de perfuração.

CUIDADO:

Ao retirar o pino central e a placa-guia, desconecte sempre o plugue da tomada.

3. Como desmontar o núcleo de broca

- Ao segurar o martelo giratório (com o núcleo de broca inserido) numa posição para cima, finque-o duas ou três vezes para repetir o impacto da operação, pela qual o parafuso se afrouxa e o martelo giratório fica pronto para a desmontagem. (Fig. 19)
- Retire o cabo do núcleo de broca do martelo giratório, segure o núcleo de broca com uma mão e bata com força duas ou três vezes na cabeça da parte do cabo SDS max do cabo do núcleo de broca

com um martelo manual. A cabeça redonda do parafuso se afrouxa e o martelo giratório fica pronto para a desmontagem. (Fig. 20)

COMO TROCAR O LUBRIFICANTE

Esta máquina é hermeticamente fechada para protegê-la contra a poeira e para evitar o vazamento de lubrificante. Portanto, ela pode ser usada sem lubrificação por longos períodos. Troque o lubrificante da forma abaixo descrita.

1. Período de troca de lubrificante

Depois da compra, troque o lubrificante a cada 6 meses de uso. Peça a uma oficina autorizada da Hitachi mais próxima que faça a troca do lubrificante. Proceda à troca do lubrificante.

2. Reabastecimento do lubrificante

CUIDADO:
Antes de reabastecer o lubrificante, desligue a máquina e desconecte o plugue da tomada.

- (1) Retire a tampa do cárter e limpe o lubrificante que está dentro dele. (Fig. 21)
- (2) Coloque 30 g do Lubrificante A de Martelo Elétrico da Hitachi (acessório padrão, contido num tubo) no cárter.
- (3) Depois de reabastecer de lubrificante, instale firmemente a tampa do cárter.

NOTA:

O Lubrificante A de Martelo Elétrico da Hitachi é do tipo de baixa viscosidade. Se necessário, adquira-o numa oficina autorizada da Hitachi.

MANUTENÇÃO E INSPEÇÃO

1. Inspeção da ferramenta

Como o uso de uma ferramenta sem fio diminui a eficiência e causa um possível mau funcionamento do motor, afie e troque a ferramenta tão logo se note uma abrasão nela.

2. Inspeção dos parafusos de montagem

Inspeccione regularmente todos os parafusos de montagem e se certifique de que estão corretamente apertados. Se algum deles estiver frouxo, reaperte-o imediatamente. Caso isso não seja feito, pode resultar em perigo grave.

3. Manutenção do motor

A unidade de enrolamento do motor é o verdadeiro "coração" da ferramenta elétrica. Cuide bem para assegurar que o enrolamento não se danifique e/ou se molhe com óleo ou água.

4. Inspeção das escovas de carvão (Fig. 22)

O motor emprega escovas de carvão que são peças de consumo. Quando elas estiverem gastas ou quase chegando ao "limite de uso", podem causar problemas no motor. Quando o motor estiver equipado com uma escova de carvão de parada automática, ele pára automaticamente. Nesse momento, troque ambas as escovas de carvão por novas que possuam o mesmo número mostrado na ilustração. Além disso, mantenha sempre limpas as escovas de carvão e certifique-se de que elas deslizam livremente nos suportes de escova.

5. Substituição das escovas de carvão

Desaperte os dois parafusos de retenção e retire a proteção do cabo. Retire a proteção da escova e as escovas de carvão. Depois de trocá-las, aperte bem as proteções das escovas e instale a proteção do cabo apertando firmemente os dois parafusos de retenção.

6. Lista de peças para conserto

CUIDADO:

Consertos, modificações e inspeção de Ferramentas Elétricas da Hitachi devem ser realizados por uma Oficina Autorizada da Hitachi.

Esta lista de peças pode ser útil se apresentada com a ferramenta na Oficina Autorizada da Hitachi ao solicitar conserto ou manutenção.

Na operação e na manutenção das ferramentas elétricas, devem-se observar as normas de segurança e os padrões prescritos por cada país.

MODIFICAÇÃO:

As Ferramentas Elétricas da Hitachi estão sempre sendo aperfeiçoadas e modificadas para incorporar os mais recentes avanços tecnológicos.

Dessa forma, algumas peças podem mudar sem aviso prévio.

GARANTIA

Garantimos que a Hitachi Power Tools obedece às respectivas normas específicas estatutárias/de país. Esta garantia não cobre avarias ou danos derivados de má utilização, abuso ou desgaste normal. Em caso de queixa, envie a Ferramenta, não desmontada, juntamente com o CERTIFICADO DE GARANTIA que se encontra no fundo destas instruções de utilização, para um Centro de Serviço Autorizado Hitachi.

NOTA:

Devido ao contínuo programa de pesquisa e desenvolvimento da HITACHI, as especificações aqui contidas estão sujeitas a mudanças sem aviso prévio.

Informação a respeito de ruídos e vibração do ar

Os valores medidos foram determinados de acordo com a EN60745 e declarados em conformidade com a ISO 4871.

Nível de potência sonora ponderada A medida: 104 dB (A)

Nível de pressão sonora ponderada A medida: 93 dB (A)
Imprecisão KpA: 3 dB (A)

Use protetores de ouvido.

Os valores totais da vibração (soma do vector triax) são determinados de acordo com a norma EN60745.

Perfuração com martelo em cimento:

Valor de emissão de vibrações **a_h, HD** = 8,3 m/s²
Incerteza de K = 1,5 m/s²

Valor equivalente de burilagem:

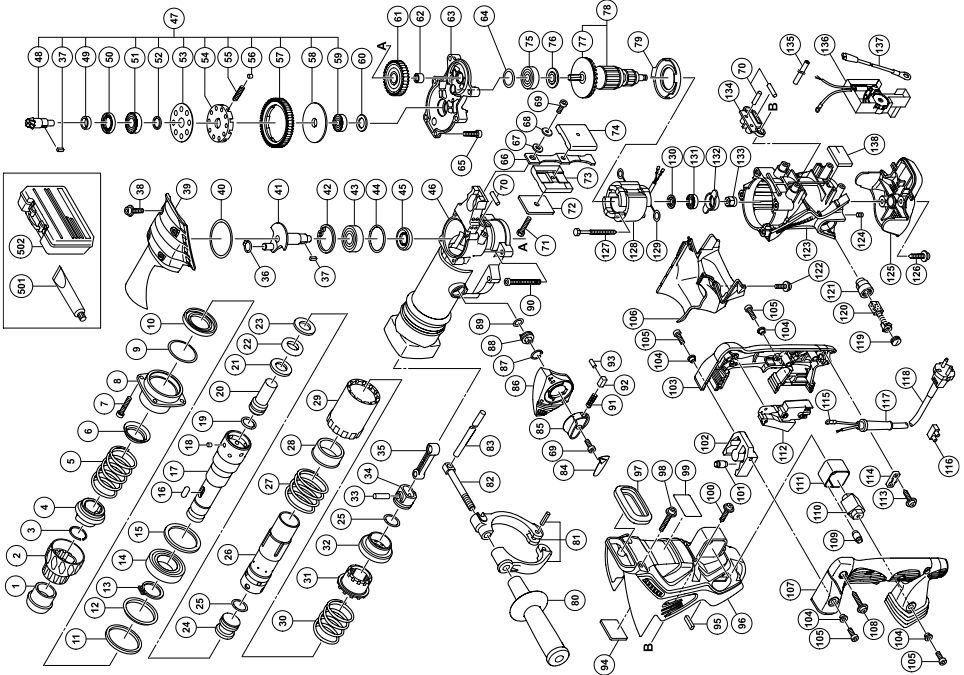
Valor de emissão de vibrações **a_h, Cheq** = 4,6 m/s²
Incerteza K = 1,5 m/s²

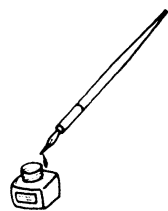
AVISO

- O valor de emissão de vibrações durante a utilização da ferramenta eléctrica pode ser diferente do valor declarado, consoante as formas de utilização da ferramenta.
- Para identificar as medidas de segurança para proteger o operador, que são baseadas numa estimativa de exposição nas actuais condições de utilização (tendo em conta todas as partes do ciclo de funcionamento, tais como os tempos em que a ferramenta é desligada e quando está a funcionar ao ralenti, além do tempo de accionamento do gatilho).

ITEM NO.	PART NAME	QTY
1	FRONT CAP	1
2	GRIP RING RINGS	1
3	WASHER (A)	1
4	NEEDLE HOLDER	1
5	RETAINER SPRING	1
6	RETAINER HOLDER (A)	1
7	SEAL LOCK HEX. SOCKET HD. BOLT M6x25	4
8	FRONT COVER	1
9	OIL SEAL (14x5-80)	1
10	OIL SEAL	1
11	RUBBER RING	1
12	URETHANE RING HOLDER	1
13	COAXIAL RETAINER D35	1
14	BALL BEARING 6207DDUAV2S	1
15	SEAL LOCK HEX. SOCKET HD. BOLT M6x20	2
16	NEEDLE ROLLER D8x20	2
17	RETAINER SLAVE	1
18	NEEDLE PIN D8x6	4
19	O-RING (C)	1
20	SECOND HAMMER	1
21	WASHER	1
22	DAMPER	1
23	DAMPER HOLDER	1
24	STRIKER	1
25	O-RING	2
26	CYLINDER	1
27	RETAINER RINGS	1
28	LOCK SPRING (B)	1
29	LOCK SLEEVE	1
30	CLUTCH SPRING	1
31	CLUTCH	1
32	BEVEL GEAR	1
33	BEVEL PIN	1
34	PISTON	1
35	CONNECTING ROD	1
36	RETAINING RING FOR D10 SHAFT	1
37	FEATHER KEY 3x5x8	2
38	LOCK HEX SOCKET HD. BOLT (W/FLANGE) M6x16	4
39	FRONT COVER	1
40	O-RING	1
41	CRANK SHAFT	1
42	RETAINING RING FOR D40 HOLE	1
43	BALL BEARING 6203DDUAMP2L	1
44	O-RING (S-40)	1
45	WASHER (A)	1
46	CYLINDER CRANK CASE	1
47	SNIP CLUTCH ASSY	1
48	BEVEL PINION	1
49	COLLAR	1
50	OIL SEAL (A)	1
51	RETAINING RING 6202DDUAMP2L	1
52	WASHER (A)	1
53	WASHER (A)	1
54	GEAR HOLDER	1
55	SPRING (C)	10
56	NEEDLE	10
57	SPACER	10
58	SPACER	1
59	BALL BEARING 6208V2P2SL	1
60	BEARING WASHER (C)	1
61	FIRST GEAR	1
62	NEEDLE COVER (M661)	1
63	O-RING	1
64	O-RING	1
65	SEAL LOCK HEX. SOCKET HD. BOLT M6x22	2
66	LEAF SPRING	1
67	SPRING BUMPER (A)	1
68	WASHER	1
69	WASHER	1
70	SEAL LOCK HEX. SOCKET HD. BOLT M6x12	2
71	SEAL LOCK HEX. SOCKET HD. BOLT M6x12	1
72	RUBBER SHEET (B)	1

ITEM NO.	PART NAME	QTY
73	WEIGHT (B)	1
74	WEIGHT (A)	1
75	BALL BEARING 6201DDUAMP2L	1
76	WASHER (B)	1
77	FAN	1
78	ARMATURE ASSY	1
79	FAN GUIDE	1
80	SIDE HANDLE	1
81	HANDLE HOLDER	1
82	HANDLE BOLT	1
83	STOPPER ROD	1
84	COVER LABEL	1
85	COVER LABEL	1
86	LEVER HOLDER	1
87	RETAINING RING FOR D20 HOLE	1
88	LEVER SHAFT	1
89	O-RING (P-16)	1
90	SEAL LOCK HEX. SOCKET HD. BOLT M6x45	4
91	LEVER SPRING	1
92	PUSHING BUTTON	1
93	COVER LABEL	1
94	RUBBER SHEET (A)	1
95	SPRING BUMPER (B)	1
96	BACK COVER	1
97	BELLOWS	1
98	HEX. SOCKET HD. BOLT (W/FLANGE) M5x35	2
99	NAME PLATE	1
100	TAPPING SCREW (W/FLANGE) D6x20	4
101	HANDLE DAMPER	4
102	START UNIT	1
103	HANDLE (A)	1
104	DISTANCE PIECE (B)	4
105	SEAL LOCK HEX. SOCKET HD. BOLT M6x12	4
106	HOOD	1
107	HANDLE (B)	1
108	TAPPING SCREW (W/FLANGE) D4x25	3
109	HANDLE DAMPER	4
110	HANDLE SHAFT	1
111	HOSE	1
112	SWITCH (B)	1
113	TAPPING SCREW (W/FLANGE) D4x16	2
114	CORD CLIP	1
115	TERMINAL	1
116	PILLAR TERMINAL	1
117	CORD ARMOR	1
118	CORD	1
119	CORD CAP	1
120	CORD BRUSH	2
121	BRUSH HOLDER	2
122	HEX. SOCKET HD. BOLT (W/FLANGE) M5x12	2
123	HOUSING ASSY	1
124	HEX. SOCKET SET SCREW M5x8	2
125	TAIL COVER	1
126	TAPPING SCREW (W/FLANGE) D5x20	2
127	HEX. HD. TAPPING SCREW D5x35	2
128	TERMINAL	1
129	BRUSH TERMINAL	2
130	WASHER (A)	1
131	BALL BEARING 6808V2P2SL	1
132	BEARING HOLDER	1
133	MAGNET	1
134	SPRING BASE	1
135	VINYL TUBE	1
136	COLLECTOR RING	1
137	COLLECTOR RING CUT	1
138	COVER (A)	1
501	CASE (PLASTIC)	1
502	GREASE (A) FOR HAMMER, HAMMER DRILL (90G)	1





<p>English</p> <p><u>GUARANTEE CERTIFICATE</u></p> <p>① Model No. ② Serial No. ③ Date of Purchase ④ Customer Name and Address ⑤ Dealer Name and Address (Please stamp dealer name and address)</p>	<p>Nederlands</p> <p><u>GARANTIEBEWIJS</u></p> <p>① Modelnummer ② Serienummer ③ Datum van aankoop ④ Naam en adres van de gebruiker ⑤ Naam en adres van de handelaar (Stempel a.u.b. naam en adres vande de handelaar)</p>
<p>Deutsch</p> <p><u>GARANTIESCHEIN</u></p> <p>① Modell-Nr. ② Serien-Nr. ③ Kaufdatum ④ Name und Anschrift des Kunden ⑤ Name und Anschrift des Händlers (Bitte mit Namen und Anschrift des Handlers abstempeln)</p>	<p>Español</p> <p><u>CERTIFICADO DE GARANTIA</u></p> <p>① Número de modelo ② Número de serie ③ Fecha de adquisición ④ Nombre y dirección del cliente ⑤ Nombre y dirección del distribuidor (Se ruega poner el sellú del distribuidor con su nombre y dirección)</p>
<p>Français</p> <p><u>CERTIFICAT DE GARANTIE</u></p> <p>① No. de modèle ② No de série ③ Date d'achat ④ Nom et adresse du client ⑤ Nom et adresse du revendeur (Cachet portant le nom et l'adresse du revendeur)</p>	<p>Português</p> <p><u>CERTIFICADO DE GARANTIA</u></p> <p>① Número do modelo ② Número do série ③ Data de compra ④ Nome e morada do cliente ⑤ Nome e morada do distribuidor (Por favor, carimbe o nome e morada do distribuidor)</p>
<p>Italiano</p> <p><u>CERTIFICATO DI GARANZIA</u></p> <p>① Modello ② N° di serie ③ Data di acquisto ④ Nome e indirizzo dell'acquirente ⑤ Nome e indirizzo del rivenditore (Si prega di apporre il timbro con questi dati)</p>	



HITACHI

①	
②	
③	
④	
⑤	



Hitachi Power Tools Europe GmbH

Siemensring 34, 47877 Willich 1, F. R. Germany
Tel: +49 2154 49930
Fax: +49 2154 499350
URL: <http://www.hitachi-powertools.de>

Hitachi Power Tools Netherlands B. V.

Brabanthaven 11, 3433 PJ Nieuwegein, The Netherlands
Tel: +31 30 6084040
Fax: +31 30 6067266
URL: <http://www.hitachi-powertools.nl>

Hitachi Power Tools (U. K.) Ltd.

Precedent Drive, Rooksley, Milton Keynes, MK 13, 8PJ, United Kingdom
Tel: +44 1908 660663
Fax: +44 1908 606642
URL: <http://www.hitachi-powertools.co.uk>

Hitachi Power Tools France S. A. S.

Prac del' Eglantier 22, rue des Crerisiers Lisses, C. E. 1541,
91015 EVRY CEDEX, France
Tel: +33 1 69474949
Fax: +33 1 60861416
URL: <http://www.hitachi-powertools.fr>

Hitachi Power Tools Belgium N.V. / S.A.

Koningin Astridlaan 51, 1780 Wemmel, Belgium
Tel: +32 2 460 1720
Fax: +32 2 460 2542
URL: <http://www.hitachi-powertools.be>

Hitachi Fercad Power Tools Italia S.p.A

Via Retrone 49-36077, Altavilla Vicentina (VI), Italy
Tel: +39 0444 548111
Fax: +39 0444 548110
URL: <http://www.hitachi-powertools.it>

Hitachi Power Tools Iberica, S.A.

C / Migjorn, s/n, Poligono Norte, 08226 Terrassa, Barcelona, Spain
Tel: +34 93 735 6722
Fax: +34 93 735 7442
URL: <http://www.hitachi-powertools.es>

Hitachi Power Tools Österreich GmbH

Str. 7, Objekt 58/A6, Industriezentrum NÖ –Süd 2355
Wiener Neudorf, Austria
Tel: +43 2236 64673/5
Fax: +43 2236 63373

<p>English</p> <p>EC DECLARATION OF CONFORMITY</p> <p>We declare under our sole responsibility that this product is in conformity with standards or standardization documents EN60745, EN55014 and EN61000 in accordance with Directives 2004/108/EC and 2006/42/EC. The European Standards Manager at Hitachi Koki Europe Ltd. is authorized to compile the technical file.</p> <p>This declaration is applicable to the product affixed CE marking.</p>	<p>Nederlands</p> <p>EC VERKLARING VAN CONFORMITEIT</p> <p>Wij verklaren onder eigen verantwoordelijkheid dat dit product conform de richtlijnen of gestandaardiseerde documenten EN60745, EN55014 en EN61000 voldoet aan de eisen van bepalingen 2004/108/EC en 2006/42/EC. De manager voor Europese normen van Hitachi Koki Europe Ltd. heeft de bevoegdheid tot het samenstellen van het technische bestand.</p> <p>Deze verklaring is van toepassing op producten voorzien van de CE-markeringen.</p>
<p>Deutsch</p> <p>ERKLÄRUNG ZUR KONFORMITÄT MIT CE-REGELN</p> <p>Wir erklären mit alleiniger Verantwortung, dass dieses Produkt den Standards oder Standardisierungsdokumenten EN60745, EN55014 und EN61000 in Übereinstimmung mit den Direktiven 2004/108/CE und 2006/42/CE entspricht.</p> <p>Der Manager für europäische Standards bei der Hitachi Koki Europe Ltd. ist zum Verfassen der technischen Datei befugt.</p> <p>Diese Erklärung gilt für Produkte, die die CE-Markierung tragen.</p>	<p>Español</p> <p>DECLARACIÓN DE CONFORMIDAD DE LA CE</p> <p>Declaramos bajo nuestra única responsabilidad que este producto está de acuerdo con las normas o con los documentos de normalización EN60745, EN55014 y EN61000, según indican las Directrices 2004/108/CE y 2006/42/CE.</p> <p>El Jefe de Normas Europeas de Hitachi Koki Europe Ltd. está autorizado para recopilar archivos técnicos.</p> <p>Esta declaración se aplica a los productos con marcas de la CE.</p>
<p>Français</p> <p>DECLARATION DE CONFORMITE CE</p> <p>Nous déclarons sous notre seule et entière responsabilité que ce produit est conforme aux normes ou documents de normalisation EN60745, EN55014 et EN61000 en accord avec les Directives 2004/108/CE et 2006/42/CE. Le responsable des normes européennes d'Hitachi Koki Europe Ltd. est autorisé à compiler les données techniques. Cette déclaration s'applique aux produits désignés CE.</p>	<p>Português</p> <p>DECLARAÇÃO DE CONFORMIDADE CE</p> <p>Declaramos, sob nossa única e inteira responsabilidade, que este produto está de acordo com as normas ou documentos normativos EN60745, EN55014 e EN61000, em conformidade com as Directrizes 2004/108/CE e 2006/42/CE.</p> <p>O Gestor de Normas Europeias da Hitachi Koki Europe Ltd. está autorizado a compilar o ficheiro técnico.</p> <p>Esta declaração se aplica aos produtos designados CE.</p>
<p>Italiano</p> <p>DICHIARAZIONE DI CONFORMITÀ CE</p> <p>Dichiariamo sotto nostra responsabilità che questo prodotto è conforme agli standard o ai documenti sulla standardizzazione EN60745, EN55014 e EN61000 in conformità alle Direttive 2004/108/CE e 2006/42/CE. Il Responsabile delle Norme Europee di Hitachi Koki Ltd. è autorizzato a compilare la scheda tecnica.</p> <p>Questa dichiarazione è applicabile ai prodotti cui sono applicati i marchi CE.</p>	
<p>Representative office in Europe Hitachi Power Tools Europe GmbH Siemensring 34, 47877 Willich 1, F. R. Germany</p> <p>Technical file at: Hitachi Koki Europe Ltd. Clonshaugh Business & Technology Park, Dublin 17, Ireland</p> <p>Head office in Japan Hitachi Koki Co., Ltd. Shinagawa Intercity Tower A, 15-1, Konan 2-chome, Minato-ku, Tokyo, Japan</p> <p style="text-align: center;">CE</p> <p style="text-align: right;">31. 1. 2011</p> <p style="text-align: right;"><i>F. Tashimo</i></p> <p style="text-align: right;">F. Tashimo Vice-President & Director</p>	