

Instructions for use

WASHING MACHINE

GB

GB

English, 1

F

Français, 13

ES

Español, 25

PT

Português, 37

WMG 922

Contents

Installation, 2-3

Unpacking and levelling
Connecting the electricity and water supplies
The first wash cycle
Technical data

Description of the washing machine, 4-5

Control panel
Display

Running a wash cycle, 6

Wash cycles and options, 7

Table of programmes and wash cycles
Wash options

Detergents and laundry, 8

Detergent dispenser drawer
Preparing the laundry
Special wash cycles

Precautions and advice, 9

General safety
Disposal
Opening the porthole door manually

Care and maintenance, 10

Cutting off the water and electricity supplies
Cleaning the washing machine
Cleaning the detergent dispenser drawer
Caring for the door and drum of your appliance
Cleaning the pump
Checking the water inlet hose

Troubleshooting, 11

Service, 12

Installation

GB

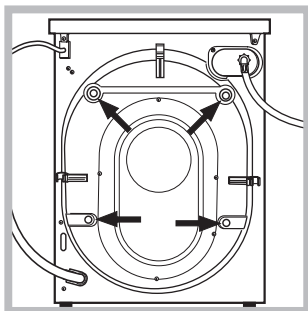
! This instruction manual should be kept in a safe place for future reference. If the washing machine is sold, transferred or moved, make sure that the instruction manual remains with the machine so that the new owner is able to familiarise himself/herself with its operation and features.

! Read these instructions carefully: they contain vital information relating to the safe installation and operation of the appliance.

Unpacking and levelling

Unpacking

1. Remove the washing machine from its packaging.
2. Make sure that the washing machine has not been damaged during the transportation process. If it has been damaged, contact the retailer and do not proceed any further with the installation process.



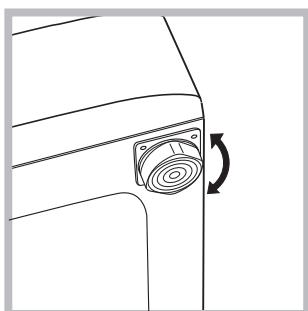
3. Remove the 4 protective screws (used during transportation) and the rubber washer with the corresponding spacer, located on the rear part of the appliance (see figure).

4. Close off the holes using the plastic plugs provided.
5. Keep all the parts in a safe place: you will need them again if the washing machine needs to be moved to another location.

! Packaging materials should not be used as toys for children.

Levelling

1. Install the washing machine on a flat sturdy floor, without resting it up against walls, furniture cabinets or anything else.

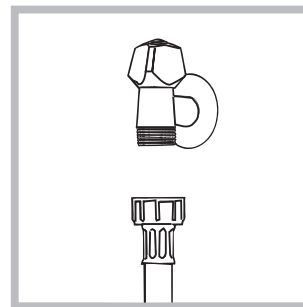


2. If the floor is not perfectly level, compensate for any unevenness by tightening or loosening the adjustable front feet (see figure); the angle of inclination, measured in relation to the worktop, must not exceed 2°.

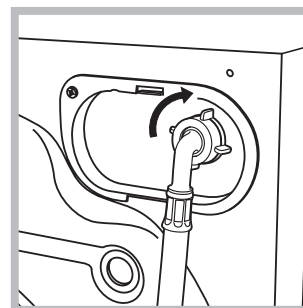
Levelling the machine correctly will provide it with stability, help to avoid vibrations and excessive noise and prevent it from shifting while it is operating. If it is placed on carpet or a rug, adjust the feet in such a way as to allow a sufficient ventilation space underneath the washing machine.

Connecting the electricity and water supplies

Connecting the water inlet hose



1. Connect the inlet hose by screwing it to a cold water tap using a 3/4 gas threaded connection (see figure). Before performing the connection, allow the water to run freely until it is perfectly clear.



2. Connect the inlet hose to the washing machine by screwing it onto the corresponding water inlet of the appliance, which is situated on the top right-hand side of the rear part of the appliance (see figure).

3. Make sure that the hose is not folded over or bent.

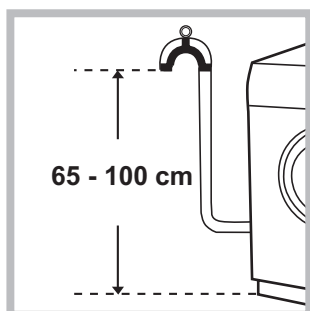
! The water pressure at the tap must fall within the range of values indicated in the Technical data table (see next page).

! If the inlet hose is not long enough, contact a specialised shop or an authorised technician.

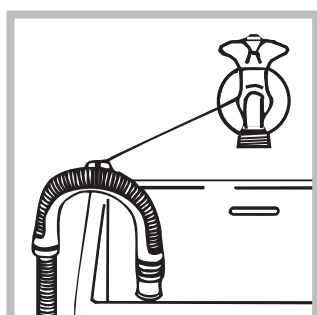
! Never use second-hand hoses.

! Use the ones supplied with the machine.

Connecting the drain hose



Connect the drain hose, without bending it, to a drain duct or a wall drain situated between 65 and 100 cm from the floor;



alternatively, placed it over the edge of a basin, sink or tub, fastening the duct supplied to the tap (see figure). The free end of the hose should not be underwater.

! We advise against the use of hose extensions; if it is absolutely necessary, the extension must have the same diameter as the original hose and must not exceed 150 cm in length.

Electrical connections

Before plugging the appliance into the electricity socket, make sure that:

- the socket is earthed and complies with all applicable laws;
- the socket is able to withstand the maximum power load of the appliance as indicated in the Technical data table (see opposite);
- the power supply voltage falls within the values indicated in the Technical data table (see opposite);
- the socket is compatible with the plug of the washing machine. If this is not the case, replace the socket or the plug.

! The washing machine must not be installed outdoors, even in covered areas. It is extremely dangerous to leave the appliance exposed to rain, storms and other weather conditions.

! When the washing machine has been installed, the electricity socket must remain within easy reach.

! Do not use extension cords or multiple sockets.

! The cable should not be bent or compressed.

! The power supply cable must only be replaced by authorised technicians.

Warning! The company shall not be held responsible in the event that these standards are not observed.

The first wash cycle

Once the appliance has been installed, and before you use it for the first time, run a wash cycle with detergent and no laundry, using the wash cycle "Auto Clean" (see "Cleaning the washing machine").

Technical data

Model	WMG 922
Dimensions	width 59.5 cm height 85 cm depth 60.5 cm
Capacity	from 1 to 9 kg
Electrical connections	please refer to the technical data plate fixed to the machine
Water connections	maximum pressure 1 MPa (10 bar) minimum pressure 0.05 MPa (0.5 bar) drum capacity 71 litres
Spin speed	up to 1200 rotations per minute
Test wash cycles in accordance with directives 1061/2010 and 1015/2010	programme 4; temperature 60°C; programme 5; temperature 40°C.



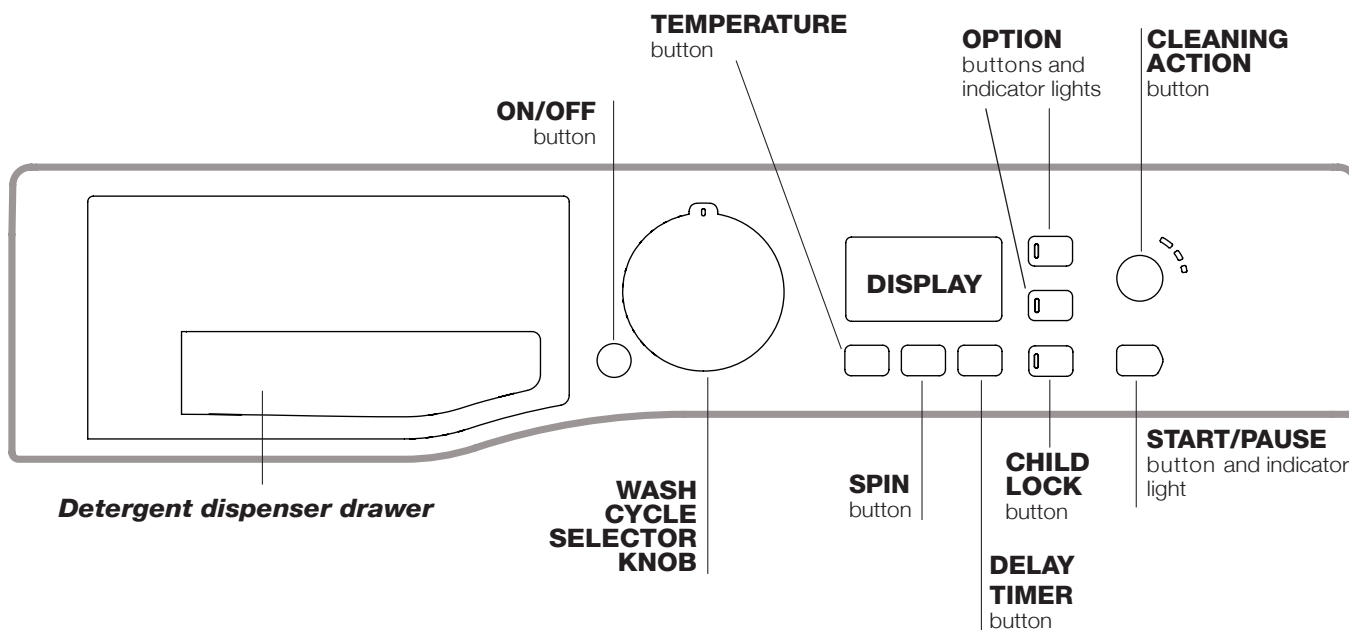
This appliance conforms to the following EC Directives:

- 2004/108/EC (Electromagnetic Compatibility)
- 2006/95/EC (Low Voltage)
- 2002/96/EC


Description of the washing machine

GB

Control panel



Detergent dispenser drawer: used to dispense detergents and washing additives (see “Detergents and laundry”).


ON/OFF  button: press this briefly to switch the machine on or off. The START/PAUSE indicator light which flashes slowly in a green colour shows that the machine is switched on. To switch off the washing machine during the wash cycle, press and hold the button for approximately 3 seconds; if the button is pressed briefly or accidentally the machine will not switch off.


If the machine is switched off during a wash cycle, this wash cycle will be cancelled.


WASH CYCLE SELECTOR KNOB: used to set the desired wash cycle (see “Table of programmes and wash cycles”).


OPTION buttons and indicator lights: press to select the available options. The indicator light corresponding to the selected option will remain lit.



CLEANING ACTION button : to select the desired wash intensity.

TEMPERATURE  button: press to reduce or completely exclude the temperature; the value appears on the display.

SPIN  button: press to reduce or completely exclude the spin cycle; the value appears on the display.

DELAYED START  button: press to set a delayed start for the selected wash cycle; the delay period appears on the display.

START/PAUSE button and indicator light: when the green indicator light flashes slowly, press the button to start a wash cycle. Once the cycle has begun the indicator light will remain lit in a fixed manner. To pause the wash cycle, press the button again; the indicator light will flash in an amber colour. If the  symbol is not illuminated, the door may be opened. To start the wash cycle from the point at which it was interrupted, press the button again.

CHILD LOCK button : to activate the control panel lock, press and hold the button for approximately 2 seconds. When the symbol  is illuminated, the control panel is locked. This means it is possible to prevent wash cycles from being modified accidentally, especially where there are children in the home. To deactivate the control panel lock, press and hold the button for approximately 2 seconds.

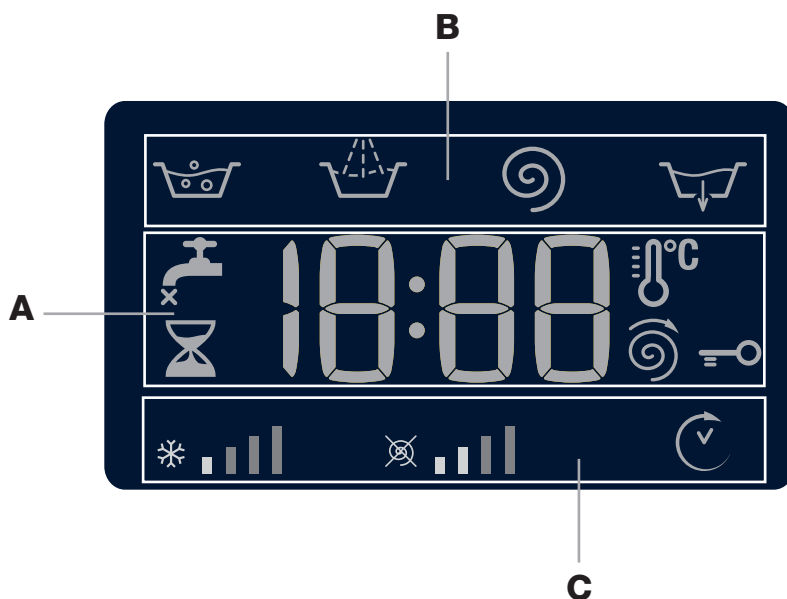
Standby mode

This washing machine, in compliance with new energy saving regulations, is fitted with an automatic standby system which is enabled after about 30 minutes if no activity is detected. Press the ON-OFF button briefly and wait for the machine to start up again.

Consumption in off-mode: 1 W

Consumption in Left-on: 1 W

Display



The display is useful when programming the machine and provides a great deal of information.

The duration of the available wash cycles and the remaining time of a running cycle appear in section **A**; if the DELAYED START option has been set, the countdown to the start of the selected wash cycle will appear.

Pressing the corresponding button allows you to view the maximum spin speed and temperature values attained by the machine during the set wash cycle, or the values selected most recently, if these are compatible with the set wash cycle.

The “wash cycle phases” corresponding to the selected wash cycle and the “wash cycle phase” of the running wash cycle appear in section **B**:

- Main wash
- Rinse
- Spin
- Pump out

The icons corresponding to “temperature”, “spin” and “delayed start” (working from the left) are displayed in section **C**.

The “temperature” bars indicate the maximum temperature level which may be selected for the set cycle.

The “spin” bars indicate the maximum spin level which may be selected for the set cycle.


The “delay” symbol , when lit, indicates that the set “delayed start” value has appeared on the display.

DOOR LOCKED indicator light:



The lit symbol indicates that the door is locked. To prevent any damage, wait until the symbol turns off before opening the door. To open the door while a cycle is in progress, press the START/PAUSE button; if the DOOR LOCKED symbol is switched off the door may be opened.

Running a wash cycle

GB


1. **SWITCH THE MACHINE ON.** Press the  button; the START/PAUSE indicator light will flash slowly in a green colour.
2. **LOAD THE LAUNDRY.** Open the porthole door. Load the laundry, making sure you do not exceed the maximum load value indicated in the table of programmes and wash cycles on the following page.
3. **MEASURE OUT THE DETERGENT.** Pull out the detergent dispenser drawer and pour the detergent into the relevant compartments as described in “*Detergents and laundry*”.
4. **CLOSE THE DOOR.**
5. **SELECT THE WASH CYCLE.** Use the WASH CYCLE SELECTOR knob to select the desired wash cycle. A temperature and spin speed is set for each wash cycle; these values may be adjusted. The duration of the cycle will appear on the display.
6. **CUSTOMISE THE WASH CYCLE.** Use the relevant buttons:

Modify the temperature and/or spin speed.


The machine automatically displays the maximum temperature and spin speed values set for the selected cycle, or the most recently-used settings if they are compatible with the selected cycle. The temperature can be decreased by pressing the  button, until the cold wash “OFF” setting is reached. The spin speed may be progressively reduced by pressing the  button, until it is completely excluded (the “OFF” setting). If these buttons are pressed again, the maximum values are restored.

! Exception: if the 4 programme is selected, the temperature can be increased up to a value of 90°C.


Setting a delayed start.

To set a delayed start for the selected cycle, press the corresponding button repeatedly until the required delay period has been reached. When this option has been activated, the  symbol lights up on the display. To remove the delayed start setting, press the button until the text “OFF” appears on the display.


Set the desired wash intensity.

Option  makes it possible to optimise washing based on the level of soil in the fabrics and on desired wash cycle intensity.

Select the wash programme: the cycle will be automatically set to “Normal” as optimised for garments with an average level of soil (this setting is not applicable to the “Wool” cycle, which is automatically set to “Delicate”).

For heavily-soiled garments press  button until the “Intensive” level is reached. This level ensures a high-performance wash due to a larger quantity of water used in the initial phase of the cycle and due to increased drum rotation. It is useful when removing the most stubborn stains.

It can be used **with** or **without** bleach. If you desire bleaching, insert the extra tray compartment (4) into compartment 1. When pouring in the bleach, be careful not to exceed the “max” level marked on the central pivot (see figure pag. 8).

For lightly-soiled garments or a more delicate treatment of the fabrics, press  button until the “Delicate” level is reached. The cycle will reduce drum rotation to ensure washing results that are perfect for delicate garments.



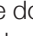
Modify the cycle settings.


- Press the button to enable the option; the indicator light corresponding to the button will switch on.
- Press the button again to disable the option; the indicator light will switch off.

! If the selected option is not compatible with the set wash cycle, the indicator light will flash and the option will not be activated.

! If the selected option is not compatible with a previously selected one, the indicator light corresponding to the first function selected will flash and only the second option will be activated; the indicator light for the option which has been activated will be illuminated.



! The options may affect the recommended load value and/or the duration of the cycle.

7. **START THE WASH CYCLE.** Press the START/PAUSE button. The corresponding indicator light will turn green, remaining lit in a fixed manner, and the door will be locked (the DOOR LOCKED  symbol will be lit). To change a wash cycle while it is in progress, **pause the washing machine** using the START/PAUSE button (the START/PAUSE indicator light will flash slowly in an amber colour); then select the desired cycle and press the START/PAUSE button again. To open the door while a cycle is in progress, press the START/PAUSE button; if the DOOR LOCKED  symbol is switched off the door may be opened. Press the START/PAUSE button again to restart the wash cycle from the point at which it was interrupted.
8. **THE END OF THE WASH CYCLE.** This will be indicated by the text “END” on the display; when the DOOR LOCKED  symbol switches off the door may be opened. Open the door, unload the laundry and switch off the machine.

! If you wish to cancel a cycle which has already begun, press and hold the  button. The cycle will be stopped and the machine will switch off.

Wash cycles and options

Table of programmes and wash cycles

Wash cycles	Description of the wash cycle	Max. temp. (°C)	Max. speed (rpm)	Detergents				Max. load (kg)	Residual dampness %	Energy consumption kWh	Total water lt	Cycle duration
				Prewash	Wash	Bleach	Fabric softener					
1	Anti Stain	40°	1200	-	-	●	●	6	-	-	-	190'
2	Whites	60°	1200	-	-	●	●	6	-	-	-	190'
3	Cotton + Prewash: extremely soiled whites.	90°	1200	●	-	●	●	9	53	2,01	101	205'
4	Cotton (1): heavily soiled whites and resistant colours.	60° (Max. 90°)	1200	-	●	●	●	9	53	1,11	79	175'
5	Cotton (2-3): lightly soiled resistant colours.	40°	1200	-	●	●	●	9	53	0,85	82	170'
6	Synthetics: heavily soiled resistant colours.	60°	800	-	●	●	●	5	48	1,00	57	115'
6	Synthetics (4): heavily soiled resistant colours.	40°	800	-	●	●	●	5	48	0,64	55	95'
7	Anti allergy	60°	1200	-	●	●	●	6	-	-	-	205'
8	Baby	40°	1000	-	●	●	●	6	-	-	-	155'
9	Wool: for wool, cashmere, etc.	40°	800	-	-	●	●	2,5	-	-	-	100'
10	Delicates	30°	0	-	-	●	●	1	-	-	-	80'
11	Fast Wash 60': to refresh normal soiled garments quickly (not suitable for wool, silk and clothes which require washing by hand).	60°	1200	-	-	●	●	4	53	0,55	57	60'
12	Cottons	Cold Water	1200	-	-	●	●	9	53	0,19	85	95'
13	Synthetics	Cold Water	800	-	-	●	●	3,5	46	0,10	65	75'
14	Fast Wash	Cold Water	800	-	-	●	●	3,5	71	0,05	44	30'
	Rinse	-	1200	-	-	-	●	9	-	-	-	36'
	Spin and Pump out	-	1200	-	-	-	-	9	-	-	-	16'

The length of cycle shown on the display or in this booklet is an estimation only and is calculated assuming standard working conditions. The actual duration can vary according to factors such as water temperature and pressure, the amount of detergent used, the amount and type of load inserted, load balancing and any wash options selected.

For all Test Institutes:

1) Test wash cycle in compliance with directive 1061/2010: set wash cycle 4 with a temperature of 60°C.

This cycle is designed for cotton loads with a normal soil level and is the most efficient in terms of both electricity and water consumption; it should be used for garments which can be washed at 60°C. The actual washing temperature may differ from the indicated value.

2) Test wash cycle in compliance with directive 1061/2010: set wash cycle 5 with a temperature of 40°C.

This cycle is designed for cotton loads with a normal soil level and is the most efficient in terms of both electricity and water consumption; it should be used for garments which can be washed at 40°C. The actual washing temperature may differ from the indicated value.

3) Long wash cycle for cottons: set wash cycle 5 with a temperature of 40°C.

4) Long wash cycle for synthetics: set wash cycle 6 with a temperature of 40°C.

Wash options

Extra Rinse

By selecting this option, the efficiency of the rinse is increased and optimal detergent removal is guaranteed. It is particularly useful for sensitive skin.

! It cannot be used in conjunction with wash cycles 7, 10, 14, .

Timer Saver

If you select this option, the wash cycle duration will be reduced by up to 50%, depending on the selected cycle, thereby guaranteeing simultaneous water and energy saving. Use this cycle for lightly soiled garments.

! It cannot be used in conjunction with wash cycles 1, 2, 7, 8, 9, 10, 11, 12, 13, 14, , .

Detergents and laundry

GB

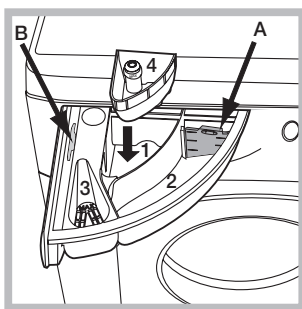
Detergent dispenser drawer

Successful washing results also depend on the correct dose of detergent: adding too much detergent will not necessarily result in a more efficient wash, and may in fact cause build up on the inside of your appliance and contribute to environmental pollution.

! Use powder detergent for white cotton garments, for pre-washing, and for washing at temperatures over 60°C.

! Follow the instructions given on the detergent packaging.

! Do not use hand washing detergents; they create too much foam.



Open the detergent dispenser drawer and pour in the detergent or washing additive, as follows.

compartment 1: Pre-wash detergent (powder)

Before pouring in the detergent, make sure that extra compartment 4 has been removed.

compartment 2: Detergent for the wash cycle (powder or liquid)

If liquid detergent is used, it is recommended that the removable plastic partition A (supplied) be used for proper dosage.

If powder detergent is used, place the partition into slot B.

compartment 3: Additives (fabric softeners, etc.)

The fabric softener should not overflow the grid.

extra compartment 4: Bleach

Preparing the laundry

- Divide the laundry according to:
 - the type of fabric/the symbol on the label
 - the colours: separate coloured garments from whites.
- Empty all garment pockets and check the buttons.
- Do not exceed the listed values, which refer to the weight of the laundry when dry:
 - Durable fabrics: max. 9 kg
 - Synthetic fabrics: max. 5 kg
 - Wool: max. 2,5 kg
 - Silk: max. 2,5 kg

How much does your laundry weigh?

- 1 sheet 400-500 g
- 1 pillow case 150-200 g
- 1 tablecloth 400-500 g
- 1 bathrobe 900-1,200 g
- 1 towel 150-250 g

Special wash cycles

Anti Stain: the programme 1 is suitable to heavily-soiled garments with resistant colours. It ensures a washing class that is higher than the standard class (A class).

When running the programme, do not mix garments of different colours. We recommend the use of powder detergent. Pre-treatment with special additives is recommended if there are obstinate stains.

Whites: use this cycle 2 to wash white clothes. The programme is designed to maintain the brightness of white clothes over time. Use powder detergent for best results.


Anti allergy: use programme 7 to remove major allergens such as pollen, mites, cat's and dog's hair.

Baby: use the special wash cycle 8 to remove the soiling typically caused by babies, while removing all traces of detergent from nappies in order to prevent the delicate skin of babies from suffering allergic reactions. The cycle has been designed to reduce the amount of bacteria by using a greater quantity of water and optimising the effect of special disinfecting additives added to the detergent.

Wool: the wool wash cycle on this Hotpoint-Ariston machine has been tested and approved by The Woolmark Company for washing wool garments labelled as hand washable provided that the garments are washed according to the instructions on the garment label and those issued by the manufacturer of this washing machine. Hotpoint-Ariston is the first washing machine brand to be approved by The Woolmark Company for Apparel Care-Platinum for its washing performance and consumption of energy and water. (M1135)



Delicates: use programme 10 to wash very delicate garments having strasses or sequins.

To wash **silk** garments and **curtains** select the cycle 10 and set the "Delicate" level from option .

We recommend turning the garments inside out before washing and placing small items into the special bag for washing delicates. Use liquid detergent on delicate garments for best results.

Eco cycles

The Eco Cycles assure energy saving by eliminating the need of heating water and it's an advantage both to your energy bill and the environment! These innovative Eco programmes (12 Cottons, 13 Synthetics and 14 Fast Wash) are available for various fabrics and different quantity of garment; they have been designed to guarantee a high cleaning action even at low temperature and can be used for lightly to medium soiled loads. Eco Cycles give the best results thanks to an intensified wash action, water optimization and are carried out in the same average time of a standard cycle. For the best washing results with Eco Cycles we recommend the usage of a liquid detergent.

Precautions and tips

! This washing machine was designed and constructed in accordance with international safety regulations. The following information is provided for safety reasons and must therefore be read carefully.

General safety

- This appliance was designed for domestic use only.
- This appliance is not intended for use by persons (including children) with reduced physical, sensory or mental capabilities, or lack of experience and knowledge, unless they have been given supervision or instruction concerning use of the appliance by a person responsible for their safety. Children should be supervised to ensure that they do not play with the appliance.
- Do not touch the machine when barefoot or with wet or damp hands or feet.
- Do not pull on the power supply cable when unplugging the appliance from the electricity socket. Hold the plug and pull.
- Do not open the detergent dispenser drawer while the machine is in operation.
- Do not touch the drained water as it may reach extremely high temperatures.
- Never force the porthole door. This could damage the safety lock mechanism designed to prevent accidental opening.
- If the appliance breaks down, do not under any circumstances access the internal mechanisms in an attempt to repair it yourself.
- Always keep children well away from the appliance while it is operating.
- The door can become quite hot during the wash cycle.
- If the appliance has to be moved, work in a group of two or three people and handle it with the utmost care. Never try to do this alone, because the appliance is very heavy.
- Before loading laundry into the washing machine, make sure the drum is empty.

Load balancing system

Before every spin cycle, to avoid excessive vibrations before every spin and to distribute the load in a uniform manner, the drum rotates continuously at a speed which is slightly greater than the washing rotation speed. If, after several attempts, the load is not balanced correctly, the machine spins at a reduced spin speed. If the load is excessively unbalanced, the washing machine performs the distribution process instead of spinning. To encourage improved load distribution and balance, we recommend small and large garments are mixed in the load.

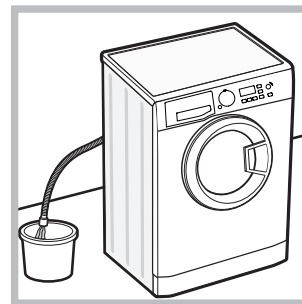
Disposal

- Disposing of the packaging materials: observe local regulations so that the packaging may be re-used.
- The European Directive 2002/96/EC on Waste Electrical and Electronic Equipment, requires that old household electrical appliances must not be disposed of in the normal unsorted municipal waste stream. Old appliances

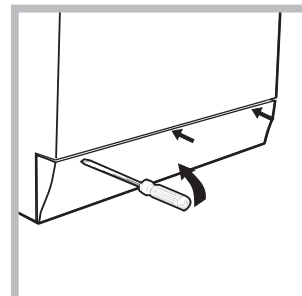
must be collected separately in order to optimise the recovery and recycling of the materials they contain and reduce the impact on human health and the environment. The crossed out “wheeled bin” symbol on the product reminds you of your obligation, that when you dispose of the appliance it must be separately collected. Consumers should contact their local authority or retailer for information concerning the correct disposal of their old appliance.

Opening the porthole door manually

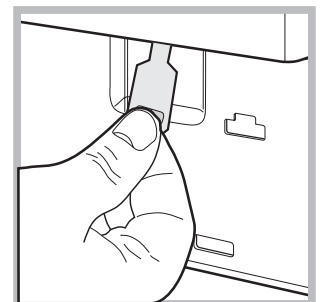
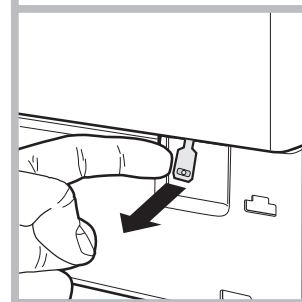
In the event that it is not possible to open the porthole door due to a powercut, and if you wish to remove the laundry, proceed as follows:



1. remove the plug from the electrical socket.
2. make sure the water level inside the machine is lower than the door opening; if it is not, remove excess water using the drain hose, collecting it in a bucket as indicated in the figure.



3. using a screwdriver, remove the cover panel on the lower front part of the washing machine (see figure).



4. pull outwards using the tab as indicated in the figure, until the plastic tie-rod is freed from its stop position; pull downwards and open the door at the same time.

5. reposition the panel, making sure the hooks are securely in place before you push it onto the appliance.

Care and maintenance

GB

Cutting off the water and electricity supplies

- Turn off the water tap after every wash cycle. This will limit wear on the hydraulic system inside the washing machine and help to prevent leaks.
- Unplug the washing machine when cleaning it and during all maintenance work.

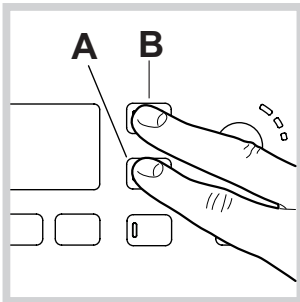
Cleaning the washing machine

- The outer parts and rubber components of the appliance can be cleaned using a soft cloth soaked in lukewarm soapy water. Do not use solvents or abrasives.
- The washing machine has a “Auto Clean” programme for its internal parts that **must be run with no load in the drum**.

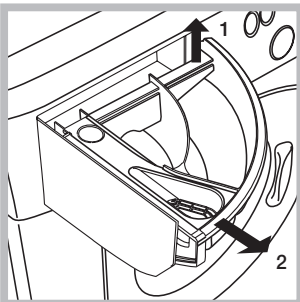
To help the wash cycle you may want to use either the detergent (i.e. a quantity 10% the quantity specified for lightly-soiled garments) or special additives to clean the washing machine. We recommend running a cleaning programme every 40 wash cycles.

To start the programme press buttons **A** and **B** simultaneously for 5 seconds (see figure).

The programme will start automatically and will run for about 70 minutes. To stop the cycle press the START/PAUSE button.



Cleaning the detergent dispenser drawer



Remove the dispenser by raising it and pulling it out (see figure). Wash it under running water; this operation should be repeated frequently.

Caring for the door and drum of your appliance

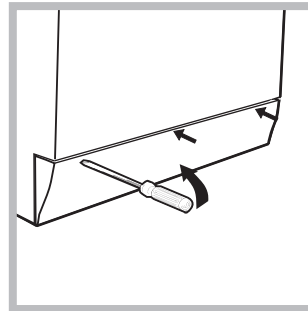
- Always leave the porthole door ajar in order to prevent unpleasant odours from forming.

Cleaning the pump

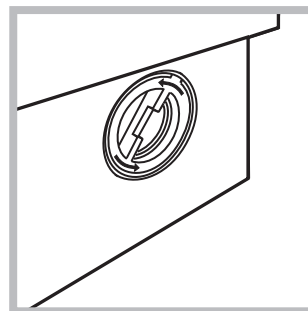
The washing machine is fitted with a self-cleaning pump which does not require any maintenance. Sometimes, small items (such as coins or buttons) may fall into the pre-chamber which protects the pump, situated in its bottom part.

- ! Make sure the wash cycle has finished and unplug the appliance.

To access the pre-chamber:



1. using a screwdriver, remove the cover panel on the lower front part of the washing machine (see figure);



2. unscrew the lid by rotating it anti-clockwise (see figure): a little water may trickle out. This is perfectly normal;

3. clean the inside thoroughly;
4. screw the lid back on;
5. reposition the panel, making sure the hooks are securely in place before you push it onto the appliance.

Checking the water inlet hose

Check the inlet hose at least once a year. If there are any cracks, it should be replaced immediately: during the wash cycles, water pressure is very strong and a cracked hose could easily split open.

- ! Never use second-hand hoses.

Troubleshooting

Your washing machine could occasionally fail to work. Before contacting the Technical Assistance Service (see “Service”), make sure that the problem cannot be solved easily using the following list.

Problem:

Possible causes / Solutions:

The washing machine does not switch on.

- The appliance is not plugged into the socket fully, or not enough to make contact.
- There is no power in the house.

The wash cycle does not start.

- The washing machine door is not closed properly.
- The ON/OFF button has not been pressed.
- The START/PAUSE button has not been pressed.
- The water tap has not been opened.
- A delayed start has been set.

The washing machine does not fill with water (the text “H2O” flashes on the display).

- The water inlet hose is not connected to the tap.
- The hose is bent.
- The water tap has not been opened.
- There is no water supply in the house.
- The pressure is too low.
- The START/PAUSE button has not been pressed.

The washing machine continuously takes in and drains water.

- The drain hose is not fitted at a height between 65 and 100 cm from the floor (see “Installation”).
- The free end of the hose is under water (see “Installation”).
- The wall drainage system is not fitted with a breather pipe.

If the problem persists even after these checks, turn off the water tap, switch the appliance off and contact the Technical Assistance Service. If the dwelling is on one of the upper floors of a building, there may be problems relating to water drainage, causing the washing machine to fill with water and drain continuously. Special anti-draining valves are available in shops and help to prevent this inconvenience.

The washing machine does not drain or spin.

- The wash cycle does not include draining: some cycles require the draining process to be enabled manually.
- The drain hose is bent (see “Installation”).
- The drainage duct is clogged.

The washing machine vibrates a lot during the spin cycle.

- The drum was not unlocked correctly during installation (see “Installation”).
- The washing machine is not level (see “Installation”).
- The washing machine is trapped between cabinets and walls (see “Installation”).

The washing machine leaks.

- The water inlet hose is not screwed on properly (see “Installation”).
- The detergent dispenser drawer is blocked (for cleaning instructions, see “Care and maintenance”).
- The drain hose is not fixed properly (see “Installation”).

The “option” and START/PAUSE indicator lights flash rapidly and an error code appears on the display (e.g.: F-01, F-..).

- Switch off the machine and unplug it, wait for approximately 1 minute and then switch it back on again.
If the problem persists, contact the Technical Assistance Service.

There is too much foam.

- The detergent is not suitable for machine washing (it should display the text “for washing machines” or “hand and machine wash”, or the like).
- Too much detergent was used.

Service

GB

Before contacting the Technical Assistance Service:

- Check whether you can solve the problem alone (see “*Troubleshooting*”);
- Restart the wash cycle to check whether the problem has been solved;
- If this is not the case, contact an authorised Technical Assistance Centre.

! Always request the assistance of authorised technicians.

Have the following information to hand:

- the type of problem;
- the appliance model (Mod.);
- the serial number (S/N).

This information can be found on the data plate applied to the rear of the washing machine, and can also be found on the front of the appliance by opening the door.

FR

Français

WMG 922

Sommaire

FR

Installation, 14-15

Déballage et mise à niveau
Raccordements eau et électricité
Premier cycle de lavage
Caractéristiques techniques

Description du lave-linge, 16-17

Bandeau de commandes
Écran

Comment faire un cycle de lavage, 18

Programmes et options, 19

Tableau des programmes
Options de lavage

Produits lessiviels et linge, 20

Tiroir à produits lessiviels
Triage du linge
Programmes spéciaux

Précautions et conseils, 21

Sécurité générale
Mise au rebut
Ouverture manuelle du hublot

Entretien et soin, 22

Coupure de l'arrivée d'eau et du courant
Nettoyage du lave-linge
Nettoyage du tiroir à produits lessiviels
Entretien du hublot et du tambour
Nettoyage de la pompe
Contrôle du tuyau d'arrivée de l'eau

Anomalies et remèdes, 23

Assistance, 24

Installation

FR

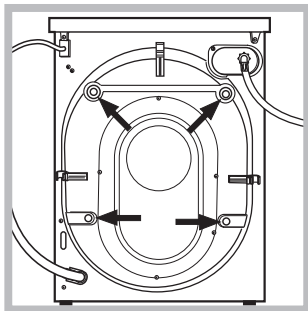
! Conserver ce mode d'emploi pour pouvoir le consulter à tout moment. En cas de vente, de cession ou de déménagement, veiller à ce qu'il suive toujours le lave-linge pour que son nouveau propriétaire soit informé sur son mode de optionnement et puisse profiter des conseils correspondants.

! Lire attentivement les instructions: elles fournissent des conseils importants sur l'installation, l'utilisation et la sécurité de l'appareil.

Déballage et mise à niveau

Déballage

1. Déballer le lave-linge.
2. Contrôler que le lave-linge n'a pas été endommagé pendant le transport. S'il est abîmé, ne pas le raccorder et contacter le vendeur.



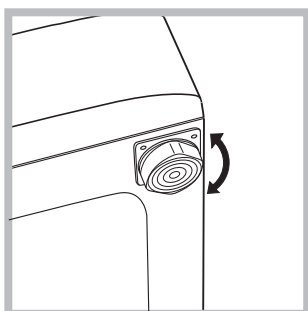
3. Enlever les 4 vis de protection servant au transport, le caoutchouc et la cale, placés dans la partie arrière (voir figure).

4. Boucher les trous à l'aide des bouchons plastique fournis.
5. Conserver toutes ces pièces: il faudra les remonter en cas de transport du lave-linge.

! Les pièces d'emballage ne sont pas des jouets pour enfants.

Mise à niveau

1. Installer le lave-linge sur un sol plat et rigide, sans l'appuyer contre des murs, des meubles ou autre.

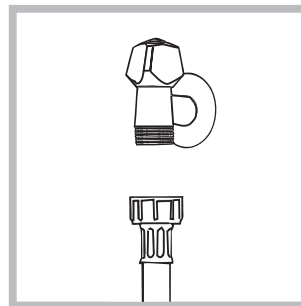


2. Si le sol n'est pas parfaitement horizontal, visser ou dévisser les pieds de réglage avant (voir figure) pour niveler l'appareil; son angle d'inclinaison, mesuré sur le plan de travail, ne doit pas dépasser 2°.

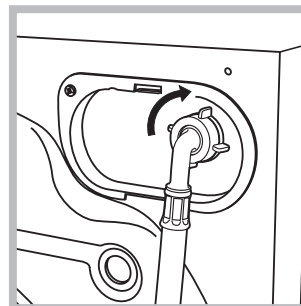
Une bonne mise à niveau garantit la stabilité de l'appareil et évite qu'il y ait des vibrations, du bruit et des déplacements en cours de optionnement. Si la machine est posée sur de la moquette ou un tapis, régler les pieds de manière à ce qu'il y ait suffisamment d'espace pour assurer une bonne ventilation.

Raccordements eau et électricité

Raccordement du tuyau d'arrivée de l'eau



1. Reliez le tuyau d'alimentation en le vissant à un robinet d'eau froide à embout fileté 3/4 gaz (voir figure).
Faire couler l'eau jusqu'à ce qu'elle soit limpide et sans impuretés avant de raccorder.



2. Raccorder le tuyau d'arrivée de l'eau au lave-linge en le vissant à la prise d'eau prévue, dans la partie arrière en haut à droite (voir figure).

3. Attention à ce que le tuyau ne soit pas plié ou écrasé.

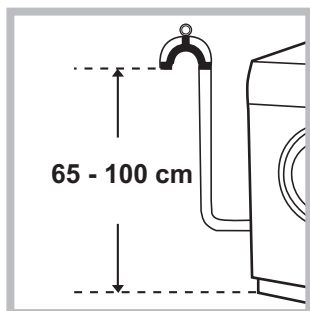
! La pression de l'eau doit être comprise entre les valeurs indiquées dans le tableau des Caractéristiques techniques (voir page ci-contre).

! Si la longueur du tuyau d'alimentation ne suffit pas, s'adresser à un magasin spécialisé ou à un technicien agréé.

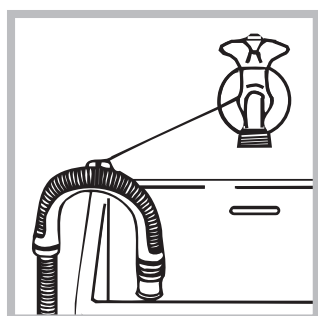
! N'utiliser que des tuyaux neufs.

! Utiliser ceux qui sont fournis avec l'appareil.

Raccordement du tuyau de vidange



Raccorder le tuyau d'évacuation, sans le plier, à un conduit d'évacuation ou à une évacuation murale placés à une distance du sol comprise entre 65 et 100 cm ;



ou bien l'accrocher à un évier ou à une baignoire, dans ce cas, fixer le support en plastique fourni avec l'appareil au robinet (voir figure). L'extrémité libre du tuyau d'évacuation ne doit pas être plongée dans l'eau.

! L'utilisation d'un tuyau de rallonge est absolument déconseillée mais si on ne peut faire autrement, il faut absolument qu'il ait le même diamètre que le tuyau original et sa longueur ne doit pas dépasser 150 cm.

Raccordement électrique

Avant de brancher la fiche dans la prise de courant, s'assurer que :

- la prise est bien reliée à la terre et est conforme aux réglementations en vigueur;
- la prise est bien apte à supporter la puissance maximale de l'appareil indiquée dans le tableau des Caractéristiques techniques (voir ci-contre);
- la tension d'alimentation est bien comprise entre les valeurs figurant dans le tableau des Caractéristiques techniques (voir ci-contre);
- la prise est bien compatible avec la fiche du lave-linge. Autrement, remplacer la prise ou la fiche.

! Le lave-linge ne doit pas être installé dehors, même à l'abri, car il est très dangereux de le laisser exposé à la pluie et aux orages.

! Après installation du lave-linge, la prise de courant doit être facilement accessible.

! N'utiliser ni rallonges ni prises multiples.

! Le câble ne doit être ni plié ni trop écrasé.

! Le câble d'alimentation ne doit être remplacé que par des techniciens agréés.

Attention! Nous déclinons toute responsabilité en cas de non-respect des normes énumérées ci-dessus.

Premier cycle de lavage

Avant la première mise en service de l'appareil, effectuer un cycle de lavage avec un produit lessiviel mais sans linge et sélectionner le programme «AUTO NETTOYANT» (voir «Nettoyage du lave-linge»).

Caractéristiques techniques

Modèle	WMG 922
Dimensions	largeur 59,5 cm hauteur 85 cm profondeur 60,5 cm
Capacité	de 1 à 9 kg
Raccordements électriques	Voir la plaque signalétique appliquée sur la machine
Raccordements hydrauliques	pression maximale 1 MPa (10 bar) pression minimale 0,05 MPa (0,5 bar) capacité du tambour 71 litres
Vitesse d'essorage	jusqu'à 1200 tours minute
Programmes de contrôle selon les directives 1061/2010 et 1015/2010	programme 4; température 60°C; programme 5; température 40°C.

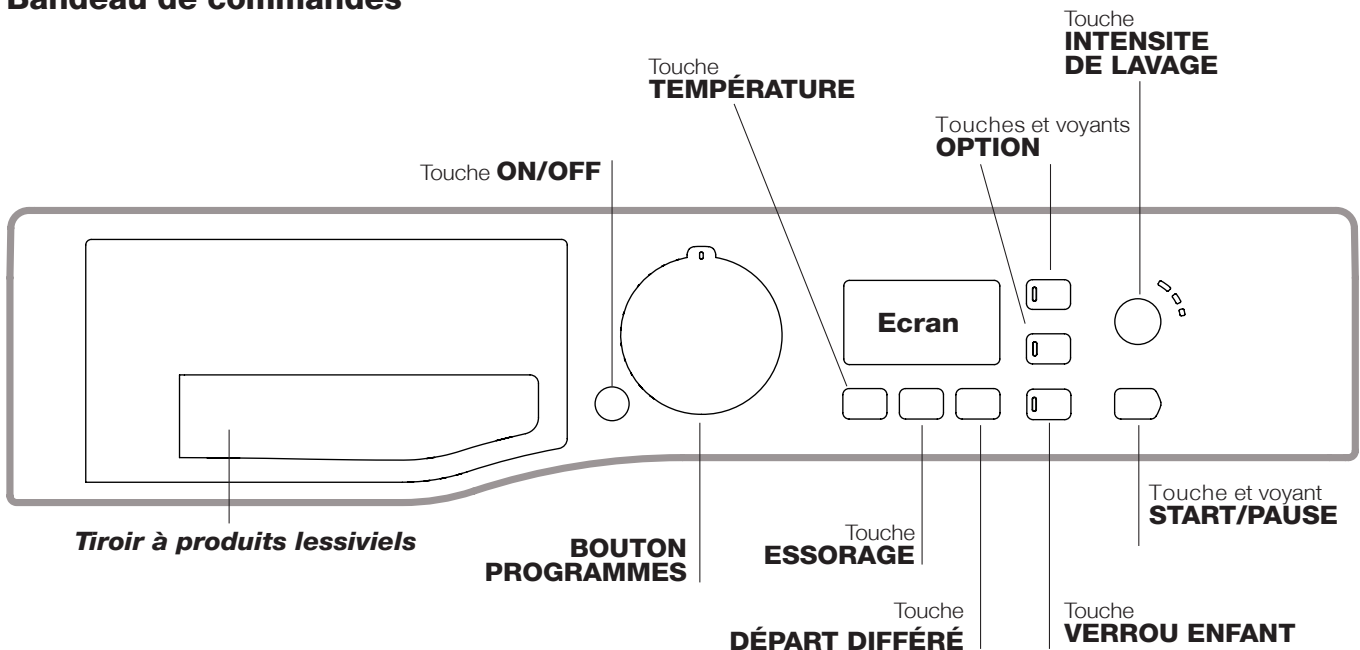


Cet appareil est conforme aux Directives Communautaires suivantes:
- 2004/108/CE (Compatibilité électromagnétique)
- 2002/96/CE
- 2006/95/CE (Basse Tension)


Description du lave-linge

FR

Bandeau de commandes



Tiroir à produits lessiviels : pour charger les produits lessiviels et les additifs (voir "Produits lessiviels et linge").


Touche **ON/OFF**  : appuyer brièvement sur la touche pour allumer ou éteindre l'appareil. Le voyant vert START/PAUSE clignotant lentement indique que la machine est allumée. Pour éteindre le lave-linge en cours de lavage, appuyer sur la touche pendant au moins 3 secondes de suite ; une pression brève ou accidentelle n'entraîne pas l'arrêt de l'appareil. L'arrêt de l'appareil pendant un lavage annule le lavage en cours.


BOUTON PROGRAMMES: pour sélectionner le programme désiré (voir "Tableau des programmes").


Touches et voyants **OPTION**: pour sélectionner les options disponibles. Le voyant correspondant à l'option sélectionnée restera allumé.


Touche **INTENSITE DE LAVAGE**  : appuyer pour sélectionner l'intensité de lavage désirée.

Touche **TEMPÉRATURE**  : appuyer sur cette touche pour diminuer la température ou pour l'exclure complètement. La valeur correspondante s'affiche à l'écran.

Touche **ESSORAGE**  : appuyer sur cette touche pour diminuer la vitesse de l'essorage ou pour l'exclure complètement. La valeur correspondante s'affiche à l'écran.

Touche **DÉPART DIFFÉRÉ**  : appuyer pour sélectionner un départ différé pour le programme choisi. Le retard est affiché à l'écran.

Touche avec voyant **START/PAUSE**: quand le voyant vert clignote lentement, appuyer sur la touche pour démarrer un lavage. Une fois le cycle lancé, le voyant passe à l'allumage fixe. Pour activer une pause de lavage, appuyer à nouveau sur la touche ; le voyant passe à l'orange et se met à clignoter. Si le symbole  n'est pas allumé, il est possible d'ouvrir le hublot. Pour faire redémarrer le lavage exactement à l'endroit de l'arrêt, appuyer une nouvelle fois sur la touche.

Touche **VERROU ENFANT**  : pour **activer** le verrouillage des commandes, garder la touche enfoncée pendant environ 2 secondes. Le symbole  allumé indique que le bandeau de commandes est verrouillé. Ceci permet d'éviter toute modification involontaire des programmes, surtout s'il y a des enfants à la maison. Pour **désactiver** le verrouillage des commandes, garder la touche enfoncée pendant environ 2 secondes.

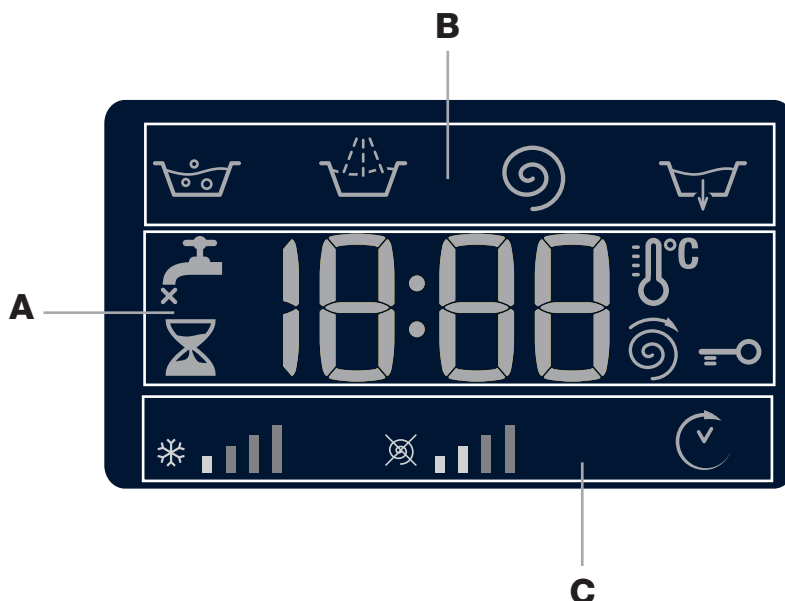
Stand-by

Ce lave-linge, conformément aux nouvelles normes en vigueur dans le domaine de l'économie d'énergie, est équipée d'un système d'extinction automatique (veille) activé après 30 environ minutes d'inutilisation. Appuyez brièvement sur la touche ON-OFF et attendre que la machine soit réactivée.

Consommation en off-mode : 1 W

Consommation en Left-on : 1 W

Ecran



L'écran est utile pour programmer la machine et fournit de multiples renseignements.

La section **A** affiche la durée des différents programmes disponibles et, une fois le cycle lancé, le temps restant jusqu'à la fin du programme ; si un DÉPART DIFFÉRÉ a été sélectionné, le temps restant avant le démarrage du programme sélectionné est affiché.


De plus, en appuyant sur la touche correspondante, il y a affichage des valeurs maximales de la vitesse d'essorage et de la température que la machine peut effectuer en fonction du programme sélectionné ou des dernières valeurs sélectionnées si ces dernières sont compatibles avec le programme sélectionné.

La section **B** affiche les "phases de lavage" prévues pour le cycle sélectionné et, une fois le programme lancé, la "phase de lavage" en cours :

-  Lavage
-  Rinçage
-  Essorage
-  Vidange

La section **C** contient, en partant de gauche, les icônes correspondant à la "température", à "l'essorage" et au "Départ différé".

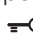
Les barres "température"  indiquent le niveau de température correspondant au niveau maximum programmable pour le cycle sélectionné.

Les barres "essorage"  indiquent le niveau d'essorage correspondant au niveau maximum programmable pour le cycle sélectionné.

Le symbole "DÉPART DIFFÉRÉ"  s'éclaire pour signaler que l'écran est en train d'afficher le "Départ différé" sélectionné.


Voyant **HUBLLOT VERROUILLÉ**

Le symbole allumé indique que le hublot est verrouillé. Pour éviter d'abîmer l'appareil, attendre que le symbole s'éteigne avant d'ouvrir le hublot.

Pour ouvrir la porte tandis qu'un cycle est en cours, appuyer sur la touche START/PAUSE; si le symbole HUBLLOT VERROUILLÉ  est éteint, on peut ouvrir le hublot.



Comment faire un cycle de lavage

FR

- 1. METTRE L'APPAREIL SOUS TENSION.** Appuyer sur la touche ; le voyant de START/PAUSE passe au vert et clignote lentement.
- 2. CHARGER LE LINGE.** Ouvrir la porte hublot. Charger le linge en faisant attention à ne pas dépasser la quantité indiquée dans le tableau des programmes de la page suivante.
- 3. DOSER LE PRODUIT LESSIVIEL.** Sortir le tiroir et placer le produit lessiviel dans les bacs correspondants comme indiqué au paragraphe "Produits lessiviels et linge".
- 4. FERMER LE HUBLOT.**
- 5. CHOISIR LE PROGRAMME.** Sélectionner à l'aide du bouton PROGRAMMES le programme voulu; une température et une vitesse d'essorage pouvant être modifiées sont associées à ce dernier. La durée du cycle s'affiche sur l'écran.
- 6. PERSONNALISER LE CYCLE DE LAVAGE.**

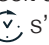
Appuyer sur les touches correspondantes :

Modifier la température et/ou l'essorage.


L'appareil affiche automatiquement la température et l'essorage maximum prévus pour le programme sélectionné ou ceux qui ont été sélectionnés en dernier s'ils sont compatibles avec le programme choisi. Par pression sur la touche  on peut diminuer progressivement la température de lavage jusqu'à un lavage à froid "OFF". Par pression sur la touche  on peut diminuer progressivement la vitesse d'essorage jusqu'à sa suppression totale "OFF". Une autre pression sur les touches ramènera les valeurs aux maximales prévues.


! Exception: lors de la sélection du programme 4 la température peut être augmentée jusqu'à 90°.

Sélectionner un départ différé.

Pour programmer le départ différé d'un programme sélectionné, appuyer sur la touche correspondante jusqu'à ce que le retard désiré soit atteint. Quand cette option est activée, le symbole  s'éclaire sur l'écran. Pour supprimer le départ différé, appuyer sur la touche jusqu'à ce que l'écran affiche "OFF".


Programmer l'intensité de lavage désirée.

L'option  permet d'optimiser le lavage selon le degré de salissure des tissus et l'intensité de lavage désirée. Sélectionner le programme de lavage, le cycle se place automatiquement sur le niveau «Normal» optimisé pour du linge moyennement sale, (cette sélection n'est pas acceptée pour le cycle «Laine», qui se règle automatiquement sur le niveau «Delicate»).

Pour du linge très sale, appuyer sur la touche  jusqu'à ce que le niveau «Intensive» soit atteint. Ce niveau permet d'obtenir un lavage très performant car

l'utilisation d'une plus grande quantité d'eau au cours de la phase initiale du cycle et un brassage mécanique plus intense permettent d'éliminer les taches les plus difficiles; possibilité d'utilisation **avec** ou **sans** eau de Javel.

Pour traiter le linge avec de l'eau de Javel, ajouter le bac supplémentaire 4 fourni avec l'appareil à l'intérieur du bac 1. Au moment de verser l'eau de Javel, attention à ne pas dépasser le niveau «max» indiqué sur le pivot central (voir figure page 20).

Pour du linge peu sale ou pour un traitement plus délicat des tissus, appuyer sur la touche  jusqu'à ce que le niveau «Delicate» soit atteint. Ce cycle réduira le brassage mécanique pour assurer des résultats de lavage parfaits du linge délicat.

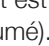
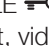
Modifier les caractéristiques du cycle.

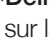
- Appuyer sur la touche pour activer l'option ; le voyant correspondant à la touche s'allume.
- Appuyer une nouvelle fois sur la touche pour désactiver l'option; le voyant s'éteint.

! Si l'option sélectionnée est incompatible avec le programme sélectionné, le voyant se met à clignoter et l'option n'est pas activée.

! Si l'option sélectionnée n'est pas compatible avec une autre sélectionnée précédemment, le voyant correspondant à la première fonction sélectionnée se met à clignoter et seule la deuxième est activée, le voyant de l'option activée s'éclaire.

! Les options permettent de modifier le chargement conseillé et/ou la durée du cycle de lavage.



- 7. DEMARRER LE PROGRAMME.** Appuyer sur la touche START/PAUSE. Le voyant correspondant s'allume en vert fixe et le hublot est verrouillé (symbole HUBLOT VERROUILLÉ  allumé). Pendant le lavage, le nom de la phase en cours s'affiche à l'écran. Pour modifier un programme lorsqu'un cycle est en cours, **mettre le lave-linge en pause** en appuyant sur la touche START/PAUSE (le voyant START/PAUSE passe à l'orange et clignote lentement); sélectionner le cycle désiré et appuyer de nouveau sur la touche START/PAUSE. Pour ouvrir la porte tandis qu'un cycle est en cours, appuyer sur la touche START/PAUSE; si le symbole HUBLOT VERROUILLÉ  est éteint, on peut ouvrir le hublot. Pour faire redémarrer le programme exactement à l'endroit de l'arrêt, appuyer une nouvelle fois sur la touche START/PAUSE.
- 8. FIN DU PROGRAMME.** Elle est signalée par l'inscription "END" qui s'affiche à l'écran ; quand le symbole HUBLOT VERROUILLÉ  s'éteint, on peut ouvrir le hublot. Ouvrir le hublot, vider le lave-linge et éteindre l'appareil.

! Une pression prolongée sur la touche  permet d'annuler un cycle déjà lancé. Le cycle est interrompu et l'appareil s'éteint.

Programmes et options

FR

Tableau des programmes

Programmes	Description du Programme	Temp. maxi. (°C)	Vitesse maxi (tours minute)	Produits lessiviels				Charge maxi (Kg)	Humidité résiduelle %	Consommation d'énergie kWh	Eau totale lt	Durée cycle
				Prelavage	Javel	Lavage	Assouplissant					
1	Anti-taches	40°	1200	-	-	●	●	6	-	-	-	190'
2	Blanc	60°	1200	-	-	●	●	6	-	-	-	190'
3	Coton + Prelavage: blancs extrêmement sales.	90°	1200	●	-	●	●	9	53	2,01	101	205'
4	Coton (1): blancs et couleurs résistantes très sales.	60° (Max. 90°)	1200	-	●	●	●	9	53	1,11	79	175'
5	Coton (2-3): blancs et couleurs délicates peu sales.	40°	1200	-	●	●	●	9	53	0,85	82	170'
6	Synthétique: couleurs résistantes très sales.	60°	800	-	●	●	●	5	48	1,00	57	115'
6	Synthétique (4): couleurs résistantes très sales.	40°	800	-	●	●	●	5	48	0,64	55	95'
7	Antiallergique	60°	1200	-	●	●	●	6	-	-	-	205'
8	Bébé	40°	1000	-	●	●	●	6	-	-	-	155'
9	Laine: pour laine, cachemire, etc.	40°	800	-	-	●	●	2,5	-	-	-	100'
10	Délicat	30°	0	-	-	●	●	1	-	-	-	80'
11	Rapide 60': pour rafraîchir rapidement du linge normalement sale (ne convient pas pour la laine, la soie et le linge à laver à la main).	60°	1200	-	-	●	●	4	53	0,55	57	60'
12	Coton	Eau froid	1200	-	-	●	●	9	53	0,19	85	95'
13	Synthétique	Eau froid	800	-	-	●	●	3,5	46	0,10	65	75'
14	Rapide 30'	Eau froid	800	-	-	●	●	3,5	71	0,05	44	30'
	Rinçage	-	1200	-	-	-	●	9	-	-	-	36'
	Essorage + Vidange	-	1200	-	-	-	-	9	-	-	-	16'

La durée du cycle indiquée sur l'écran ou dans la notice représente une estimation calculée dans des conditions standard. Le temps effectif peut varier en fonction de nombreux facteurs tels que : température et pression de l'eau en entrée, température ambiante, quantité de lessive, quantité et type de charge, équilibrage de la charge, options supplémentaires sélectionnées.

Pour tous les instituts qui effectuent ces tests :

1) Programme de contrôle selon la directive 1061/2010: sélectionner le programme 4 et une température de 60°C.

Ce cycle convient au lavage d'une charge de coton normalement sale et c'est le plus performant en termes de consommation d'eau et d'énergie, l'utiliser pour du linge lavable à 60°C. La température effective de lavage peut différer de la température indiquée.

2) Programme de contrôle selon la directive 1061/2010: sélectionner le programme 5 et une température de 40°C.

Ce cycle convient au lavage d'une charge de coton normalement sale et c'est le plus performant en termes de consommation d'eau et d'énergie, l'utiliser pour du linge lavable à 60°C. La température effective de lavage peut différer de la température indiquée.

3) Programme coton long: sélectionner le programme 5 et une température de 40°C.

4) Programme synthétique long: sélectionner le programme 6 et une température de 40°C.

Options de lavage


Rinçage plus

La sélection de cette option permet d'augmenter l'efficacité du rinçage et d'éliminer totalement toute trace de lessive. Elle est très utile en cas de peaux particulièrement sensibles.

! Elle n'est pas activable sur les programmes 7, 10, 14, .

Temps réduit

La sélection de cette option permet de réduire jusqu'à 50 % la durée de lavage du cycle choisi et de faire des économies d'eau et d'énergie. Utiliser ce programme pour les vêtements modérément sales.

! Elle n'est pas activable sur les programmes 1, 2, 7, 8, 9, 10, 11, 12, 13, 14, , .

Produits lessiviels et linge

FR

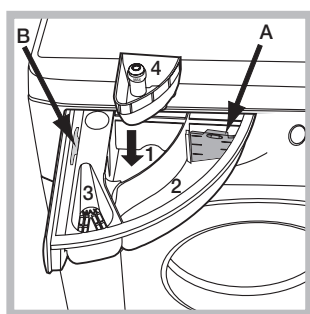
Tiroir à produits lessiviels

Un bon résultat de lavage dépend aussi d'un bon dosage de produit lessiviel: un excès de lessive ne lave pas mieux, il incruste l'intérieur du lave-linge et pollue l'environnement.

! Utiliser des lessives en poudre pour du linge en coton blanc et en cas de pré-lavage et de lavages à une température supérieure à 60°C.

! Respecter les indications figurant sur le paquet de lessive.

! Ne pas utiliser de lessives pour lavage à la main, elles moussent trop.



Sortir le tiroir à produits lessiviels et verser la lessive ou l'additif comme suit.

bac 1: Lessive pré-lavage (en poudre)

Avant d'introduire la lessive, s'assurer que le bac supplémentaire 4 n'est pas présent.

bac 2: Lessive lavage (en poudre ou liquide)

En cas d'utilisation de lessive liquide, nous conseillons d'introduire le séparateur **A** fourni avec le lave-linge pour mieux déterminer la dose correcte. En cas d'utilisation de lessive en poudre, placer le séparateur dans le bac **B**.

bac 3: Additifs (assouplissant, etc.)

L'assouplissant ne doit pas déborder de la grille.

bac supplémentaire 4: Produit javélinisé

Triage du linge

- Trier correctement le linge d'après:
 - le type de textile / le symbole sur l'étiquette.
 - les couleurs: séparer le linge coloré du blanc.
- Vider les poches et contrôler les boutons.
- Ne pas dépasser les valeurs indiquées correspondant au poids de linge sec :
 - Textiles résistants: 9 kg max.
 - Textiles synthétiques: 5 kg max.
 - Laine: 2,5 kg max.
 - Soie: 2,5 kg max.

Combien pèse le linge ?

- 1 drap 400-500 g
- 1 taie d'oreiller 150-200 g
- 1 nappe 400-500 g
- 1 peignoir 900-1200 g
- 1 serviette éponge 150-250 g

Programmes spéciaux

Anti-taches: ce programme **1** est idéal pour le lavage de linge très sale, aux couleurs résistantes. Il assure une classe de lavage supérieure à la classe standard (classe A). Ce programme ne permet pas de mélanger du linge de couleurs différentes. Nous conseillons d'utiliser de la lessive en poudre. En cas de taches tenaces, nous conseillons un pré-traitement avec des additifs spéciaux.

Blanc: utiliser ce cycle de lavage **2** pour le linge blanc. Ce programme est conçu pour préserver l'éclat du blanc au fil des lavages. Pour obtenir de meilleurs résultats, nous conseillons d'utiliser de la lessive en poudre.


Antiallergique: utiliser le programme **7** pour éliminer les principaux allergènes tels que pollens, acariens, poils de chien ou de chat.

Bébé: utiliser le programme **8** pour enlever les taches des vêtements de bébé et rincer correctement les vêtements afin d'éviter les réactions allergiques. Spécialement conçu pour diminuer la charge bactérienne, ce cycle utilise une plus grande quantité d'eau et optimise l'effet des additifs désinfectants spécifiques ajoutés à la lessive.

Laine: Le cycle de lavage « Laine » de ce lave-linge Hotpoint-Ariston a été testé et approuvé par la société Woolmark Company pour le lavage d'articles en laine classés comme « lavables à la main », à condition que le lavage soit effectué conformément aux instructions indiquées sur l'étiquette du vêtement et aux indications fournies par le fabricant de l'électroménager. Hotpoint-Ariston est la première marque de lave-linge à avoir obtenu la certification Woolmark Apparel Care - Platinium délivrée par la société Woolmark Company pour ses performances de lavage et pour sa consommation d'eau et d'énergie. (M1135)



Délicat: utiliser le programme **10** pour le lavage d'articles particulièrement délicats avec applications de strass ou de paillettes.

Pour le lavage d'articles en **soie** et de **rideaux**, sélectionner le cycle **10** et programmer le niveau «**Delicate**» de l'option .

Il est recommandé de mettre le linge à l'envers avant le lavage et d'introduire les articles plus petits dans le sachet prévu pour le lavage des articles délicats.

Pour obtenir de meilleurs résultats, nous conseillons d'utiliser de la lessive liquide spéciale textiles délicats.

Les cycles de lavage Eco

Les cycles Eco garantissent une économie d'énergie car ils permettent d'obtenir les meilleurs résultats de lavage sans besoin de chauffer l'eau. L'action mécanique (utilisation de l'eau + phases de lavage) est optimisée afin de compenser l'action thermique. L'avantage pour vous : alléger vos factures d'eau et d'électricité. Et un geste de plus pour l'environnement! Vous pouvez utiliser ces nouveaux programmes Eco (**12 Coton**, **13 Synthétique**, et **14 Rapide 30'**) pour tous types de textile et toute charge de linge, peu ou moyennement sale. Pour optimiser les résultats de lavage avec les programmes Eco, nous vous recommandons d'utiliser de la lessive liquide.

Précautions et conseils

! Ce lave-linge a été conçu et fabriqué conformément aux normes internationales de sécurité. Ces consignes sont fournies pour des raisons de sécurité, il faut les lire attentivement.

Sécurité générale

- Cet appareil n'est pas destiné à être utilisé par des personnes (enfants compris) dont les capacités physiques, sensorielles ou mentales sont réduites ou qui ne disposent pas des connaissances ou de l'expérience nécessaires, à moins qu'elles n'aient été formées et encadrées pour l'utilisation de cet appareil par une personne responsable de leur sécurité. Surveiller les enfants pour s'assurer qu'ils ne jouent pas avec l'appareil.
- Cet appareil est conçu pour un usage domestique.
- Ne jamais toucher l'appareil si l'on est pieds nus et si les mains sont mouillées ou humides.
- Ne jamais tirer sur le câble pour débrancher la fiche de la prise de courant.
- Ne pas ouvrir le tiroir à produits lessiviels si la machine est branchée.
- Ne pas toucher à l'eau de vidange, elle peut atteindre des températures très élevées.
- Ne pas forcer pour ouvrir le hublot: le verrouillage de sécurité qui protège contre les ouvertures accidentelles pourrait s'endommager.
- En cas de panne, éviter à tout prix d'accéder aux mécanismes internes pour tenter une réparation.
- Veiller à ce que les enfants ne s'approchent pas de l'appareil pendant son fonctionnement.
- Pendant le lavage, le hublot a tendance à se réchauffer.
- Deux ou trois personnes sont nécessaires pour déplacer l'appareil avec toutes les précautions nécessaires. Ne jamais le déplacer tout seul car il est très lourd.
- Avant d'introduire le linge, s'assurer que le tambour est bien vide.

Système d'équilibrage de la charge

Avant tout essorage, pour éviter toute vibration excessive et répartir le linge de façon uniforme, le lave-linge fait tourner le tambour à une vitesse légèrement supérieure à la vitesse de lavage. Si au bout de plusieurs tentatives, la charge n'est toujours pas correctement équilibrée, l'appareil procède à un essorage à une vitesse inférieure à la vitesse normalement prévue. En cas de déséquilibre excessif, le lave-linge préfère procéder à la répartition du linge plutôt qu'à son essorage. Pour une meilleure répartition de la charge et un bon équilibrage, nous conseillons de mélanger de grandes et petites pièces de linge.

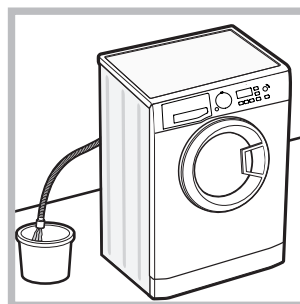
Mise au rebut

- Mise au rebut du matériel d'emballage: se conformer aux réglementations locales de manière à ce que les emballages puissent être recyclés.
- La Directive Européenne 2002/96/EC sur les Déchets des Equipements Electriques et Electroniques, exige

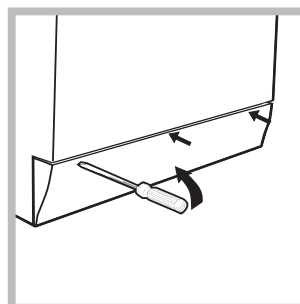
que les appareils ménagers usagés ne soient pas jetés dans le flux normal des déchets municipaux. Les appareils usagés doivent être collectés séparément afin d'optimiser le taux de récupération et le recyclage des matériaux qui les composent et réduire l'impact sur la santé humaine et l'environnement. Le symbole de la "poubelle barrée" est apposée sur tous les produits pour rappeler les obligations de collecte séparée. Les consommateurs devront contacter les autorités locales ou leur revendeur concernant la démarche à suivre pour l'enlèvement de leur vieil appareil.

Ouverture manuelle du hublot

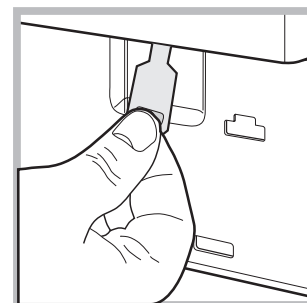
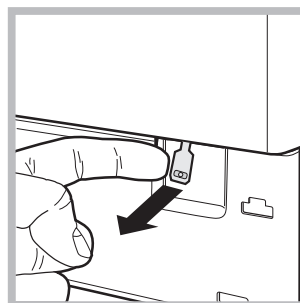
A défaut de pouvoir ouvrir la porte hublot à cause d'une panne de courant pour étendre le linge, procéder comme suit :



1. débrancher la fiche de la prise de courant.
2. s'assurer que le niveau de l'eau à l'intérieur de l'appareil se trouve bien au-dessous de l'ouverture du hublot, si ce n'est pas le cas vider l'eau en excès à travers le tuyau de vidange dans un seau comme illustré *voir figure*.



3. démonter le panneau situé à l'avant du lave-linge à l'aide d'un tournevis (*voir figure*).



4. se servir de la languette indiquée, tirer vers soi jusqu'à ce que le tirant en plastique se dégage de son cran d'arrêt; tirer ensuite vers le bas et ouvrir l'hublot en même temps.

5. remonter le panneau en veillant à bien enfiler les crochets dans les fentes prévues avant de le pousser contre l'appareil.

Entretien et soin

FR

Coupure de l'arrivée d'eau et du courant

- Fermer le robinet de l'eau après chaque lavage. Cela réduit l'usure de l'installation hydraulique du lave-linge et évite tout danger de fuites.
- Débrancher la fiche de la prise de courant lors de tout nettoyage du lave-linge et pendant tous les travaux d'entretien.

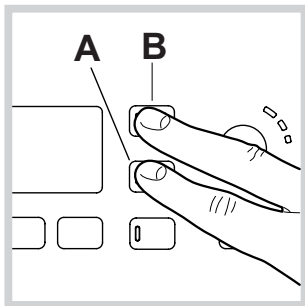
Nettoyage du lave-linge

- Pour nettoyer l'extérieur et les parties en caoutchouc, utiliser un chiffon imbibé d'eau tiède et de savon. N'utiliser ni solvants ni abrasifs.
- Ce lave-linge est équipé d'un programme «Auto nettoyage» des parties internes qui doit être effectué **tambour complètement vide**.

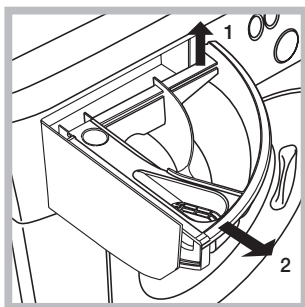
La lessive (dans une quantité égale à 10% de celle conseillée pour du linge peu sale) ou les additifs spéciaux pour le nettoyage du lave-linge, pourront être utilisés comme adjuvants dans le programme de lavage. Il est conseillé d'effectuer le programme de nettoyage tous les 40 cycles de lavage.

Pour activer le programme, appuyer simultanément sur les touches **A** et **B** pendant 5 secondes (voir figure).

Le programme démarrera automatiquement et durera environ 70 minutes. Pour stopper le cycle, appuyer sur la touche START/PAUSE.



Nettoyage du tiroir à produits lessiviels.



Soulever le tiroir et le tirer vers soi pour le sortir de son logement (voir figure).

Le laver à l'eau courante; effectuer cette opération assez souvent.

Entretien du hublot et du tambour

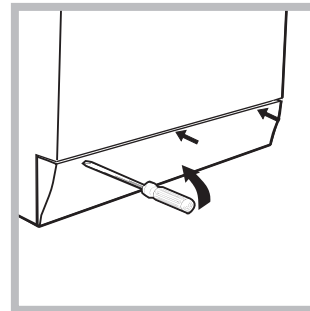
- Il faut toujours laisser le hublot entrouvert pour éviter la formation de mauvaises odeurs.

Nettoyage de la pompe

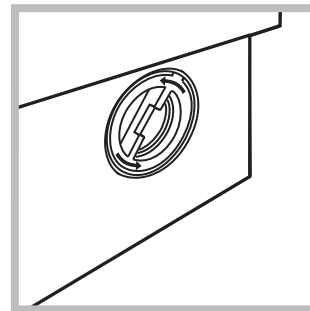
Le lave-linge est équipé d'une pompe autonettoyante qui n'exige aucune opération d'entretien. Il peut toutefois arriver que de menus objets (pièces de monnaie, boutons) tombent dans la préchambre qui protège la pompe, placée en bas de cette dernière.

! S'assurer que le cycle de lavage est bien terminé et débrancher la fiche.

Pour accéder à cette préchambre:



1. démonter le panneau situé à l'avant du lave-linge à l'aide d'un tournevis (voir figure);



2. dévisser le couvercle en le tournant dans le sens inverse des aiguilles d'une montre (voir figure); il est normal qu'un peu d'eau s'écoule;

3. nettoyer soigneusement l'intérieur;
4. revisser le couvercle;
5. remonter le panneau en veillant à bien enfiler les crochets dans les fentes prévues avant de le pousser contre l'appareil.

Contrôle du tuyau d'arrivée de l'eau

Contrôler le tuyau d'alimentation au moins une fois par an. Procéder à son remplacement en cas de craquements et de fissures: car les fortes pressions subies pendant le lavage pourraient provoquer des cassures.

! N'utiliser que des tuyaux neufs.

Anomalies et remèdes

Il peut arriver que le lave-linge ne fonctionne pas bien. Avant d'appeler le Service de dépannage (voir "Assistance"), contrôler s'il ne s'agit pas par hasard d'un problème facile à résoudre à l'aide de la liste suivante.

Anomalies :

Le lave-linge ne s'allume pas.

Causes / Solutions possibles :

- La fiche n'est pas branchée dans la prise de courant ou mal branchée.
- Il y a une coupure de courant.

Le cycle de lavage ne démarre pas.

- Le hublot n'est pas bien fermé.
- La touche ON/OFF n'a pas été enfoncée.
- La touche START/PAUSE n'a pas été enfoncée.
- Le robinet de l'eau n'est pas ouvert.
- Un départ différé a été sélectionné.

Il n'y a pas d'arrivée d'eau (l'écran affiche "H2O" qui clignote).

- Le tuyau d'arrivée de l'eau n'est pas raccordé au robinet.
- Le tuyau est plié.
- Le robinet de l'eau n'est pas ouvert.
- Il y a une coupure d'eau.
- La pression n'est pas suffisante.
- La touche START/PAUSE n'a pas été enfoncée.

Le lave-linge prend l'eau et vidange continuellement.

- Le tuyau de vidange n'est pas installé à une distance du sol comprise entre 65 et 100 cm (voir "Installation").
- L'extrémité du tuyau de vidange est plongée dans l'eau (voir "Installation").
- L'évacuation murale n'a pas d'évent.

Si après ces vérifications, le problème persiste, fermer le robinet de l'eau, éteindre la machine et appeler le service Assistance. Si l'appartement est situé en étage dans un immeuble, il peut y avoir des phénomènes de siphonage qui font que le lave-linge prend et évacue l'eau continuellement. Pour supprimer cet inconvénient, on trouve dans le commerce des soupapes spéciales anti-siphonage.

Le lave-linge ne vidange pas et n'essore pas.

- Le programme ne prévoit pas de vidange : pour certains programmes, il faut intervenir pour la faire démarrer.
- Le tuyau de vidange est plié (voir "Installation").
- La conduite d'évacuation est bouchée.

Le lave-linge vibre beaucoup pendant l'essorage.

- Le tambour n'a pas été débloqué comme il faut lors de l'installation du lave-linge (voir "Installation").
- Le lave-linge n'est pas posé à plat (voir "Installation").
- Le lave-linge est coincé entre des meubles et le mur (voir "Installation").

Le lave-linge a des fuites.

- Le tuyau d'arrivée de l'eau n'est pas bien vissé (voir "Installation").
- Le tiroir à produits lessiviels est bouché (pour le nettoyer voir "Entretien et soin").
- Le tuyau de vidange n'est pas bien fixé (voir "Installation").

Les voyants des "Options" et de START/PAUSE clignotent rapidement. L'écran affiche un code d'anomalie (par ex. : F-01, F-..).

- Eteindre l'appareil et débrancher la fiche de la prise de courant, attendre 1 minute environ avant de rallumer.
Si l'anomalie persiste, appeler le service d'assistance.

Il y a un excès de mousse.

- Le produit de lavage utilisé n'est pas une lessive spéciale machine (il faut qu'il y ait l'inscription "pour lave-linge", "main et machine", ou autre semblable).
- La quantité utilisée est excessive.

Assistance

FR

Avant d'appeler le service d'Assistance technique :

- Vérifier s'il est possible de résoudre l'anomalie par ses propres moyens (*voir "Anomalies et Remèdes"*);
- Remettre le programme en marche pour contrôler si l'inconvénient a disparu ;
- Si ce n'est pas le cas, contacter un Centre de dépannage.

! Ne jamais s'adresser à des techniciens non agréés.

Communiquer :

- le type de panne ;
- le modèle de l'appareil (Mod.) ;
- le numéro de série (S/N).

Ces informations se trouvent sur la plaque signalétique apposée à l'arrière du lave-linge et à l'avant quand on ouvre la porte hublot.

ES

Español

WMG 922

Sumario

Instalación, 26-27

Desembalaje y nivelación
Conexiones hidráulicas y eléctricas
Primer ciclo de lavado
Datos técnicos

Descripción de la lavadora, 28-29

Panel de control
Pantalla

Cómo efectuar un ciclo de lavado, 30

Programas y opciones, 31

Tabla de programas
Opciones de lavado

Detergentes y ropa, 32

Contenedor de detergentes
Preparar la ropa
Programas particulares

Precauciones y consejos, 33

Seguridad general
Eliminación
Apertura manual de la puerta

Mantenimiento y cuidados, 34

Interrumpir el agua y la corriente eléctrica
Limpiar la lavadora
Limpiar el contenedor de detergentes
Cuidar la puerta y el cesto
Limpiar la bomba
Controlar el tubo de alimentación de agua

Anomalías y soluciones, 35

Asistencia Técnica, 36

ES

Instalación

ES

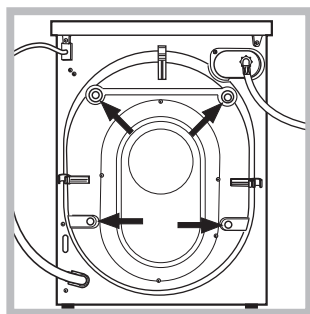
! Es importante conservar este manual para poder consultarlo en cualquier momento. En caso de venta, de cesión o de traslado, verifique que permanezca junto con la lavadora para informar al nuevo propietario sobre el funcionamiento y brindar las correspondientes advertencias.

! Lea atentamente las instrucciones: ellas contienen importante información sobre la instalación, el uso y la seguridad.

Desembalaje y nivelación

Desembalaje

1. Desembale la lavadora.
2. Controle que la lavadora no haya sufrido daños durante el transporte. Si estuviera dañada no la conecte y llame al revendedor.



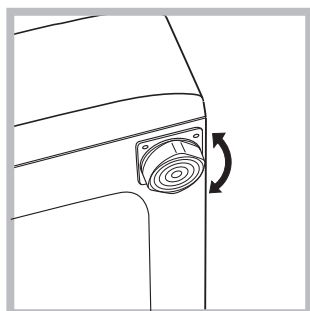
3. Quite los 4 tornillos de protección para el transporte y la arandela de goma con el correspondiente distanciador ubicados en la parte posterior (ver la figura).

4. Cubra los orificios con los tapones de plástico suministrados con el aparato.
5. Conserve todas las piezas: cuando la lavadora deba ser transportada nuevamente, deberán volver a colocarse.

! Los embalajes no son juguetes para los niños.

Nivelación

1. Instale la lavadora sobre un piso plano y rígido, sin apoyarla en las paredes, muebles ni en ningún otro aparato.

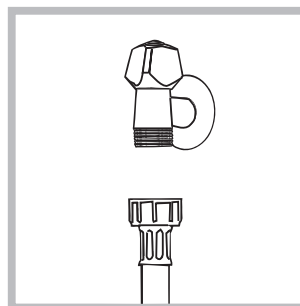


2. Si el piso no está perfectamente horizontal, compense las irregularidades desenroscando o enroscando las patas delanteras (ver la figura); el ángulo de inclinación medido sobre la superficie de trabajo, no debe superar los 2°.

Una cuidadosa nivelación brinda estabilidad a la máquina y evita vibraciones, ruidos y desplazamientos durante el funcionamiento. Cuando se instala sobre moquetas o alfombras, regule los pies para conservar debajo de la lavadora un espacio suficiente para la ventilación.

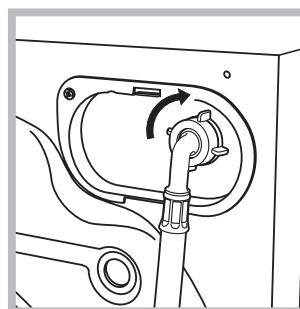
Conexiones hidráulicas y eléctricas

Conexión del tubo de alimentación de agua



1. Conectar el tubo de tubo enroscándolo a un grifo de agua fría con la boca roscada de 3/4 gas (ver la figura).

Antes de conectarlo, haga correr el agua hasta que esté límpida.



2. Conecte el tubo de alimentación a la lavadora enroscándolo en la toma de agua correspondiente ubicada en la parte posterior derecha (arriba) (ver la figura).

3. Controle que en el tubo no hayan pliegues ni estrangulaciones.

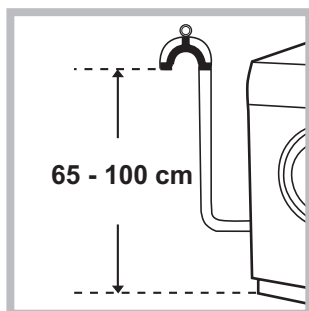
! La presión de agua del grifo debe estar comprendida dentro de los valores contenidos en la tabla de Datos técnicos (ver la página correspondiente).

! Si la longitud del tubo de alimentación no es la suficiente, diríjase a un negocio especializado o a un técnico autorizado.

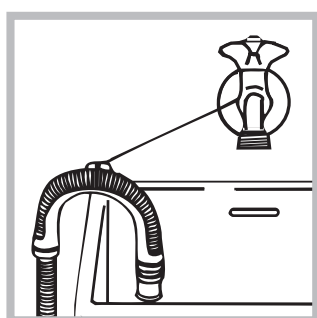
! No utilice nunca tubos ya usados.

! Utilice los suministrados con la máquina.

Conexión del tubo de desagüe



Conecte el tubo de desagüe, sin plegarlo, a un conducto de desagüe o a una desagüe de pared ubicados a una distancia del piso comprendida entre 65 y 100 cm.;



o apóyelo en el borde de un lavamanos o de una bañera, uniendo la guía suministrada con el aparato, al grifo (ver la figura). El extremo libre del tubo de desagüe no debe permanecer sumergido en el agua.

! No se aconseja utilizar tubos de prolongación, si fuera indispensable hacerlo, la prolongación debe tener el mismo diámetro del tubo original y no superar los 150 cm.

Conexión eléctrica

Antes de enchufar el aparato, verifique que:

- la toma tenga la conexión a tierra y haya sido hecha según las normas legales;
- la toma sea capaz de soportar la carga máxima de potencia de la máquina indicada en la tabla de Datos técnicos (ver al costado);
- la tensión de alimentación esté comprendida dentro de los valores indicados en la tabla de Datos técnicos (ver al costado);
- la toma sea compatible con el enchufe de la lavadora. Si no es así, sustituya la toma o el enchufe.

! La lavadora no debe ser instalada al aire libre, ni siquiera si el lugar está reparado, ya que es muy peligroso dejarla expuesta a la lluvia o a las tormentas.

! Una vez instalada la lavadora, la toma de corriente debe ser fácilmente accesible.

! No utilice prolongaciones ni conexiones múltiples.

! El cable no debe estar plegado ni sufrir compresiones.

! El cable de alimentación debe ser sustituido sólo por técnicos autorizados.

¡Atención! La empresa fabricante declina toda responsabilidad en caso de que estas normas no sean respetadas.

Primer ciclo de lavado

Después de la instalación y antes del uso, realice un ciclo de lavado con detergente y sin ropa, seleccionando el programa "Auto Limpieza" (ver "Limpiar la lavadora").

Datos técnicos

Modelo	WMG 922
Dimensiones	ancho 59,5 cm altura 85 cm profundidad 60,5 cm
Capacidad	de 1 a 9 kg
Conexiones eléctricas	ver la placa de características técnicas aplicada en la máquina
Conexiones hídricas	presión máxima 1 MPa (10 bar) presión mínima 0,05 MPa (0,5 bar) capacidad del cesto 71 litros
Velocidad de centrifugado	máxima 1200 r.p.m.
Programas de control según las directivas 1061/2010 y 1015/2010	programa 4; temperatura 60°C; programa 5; temperatura 40°C.



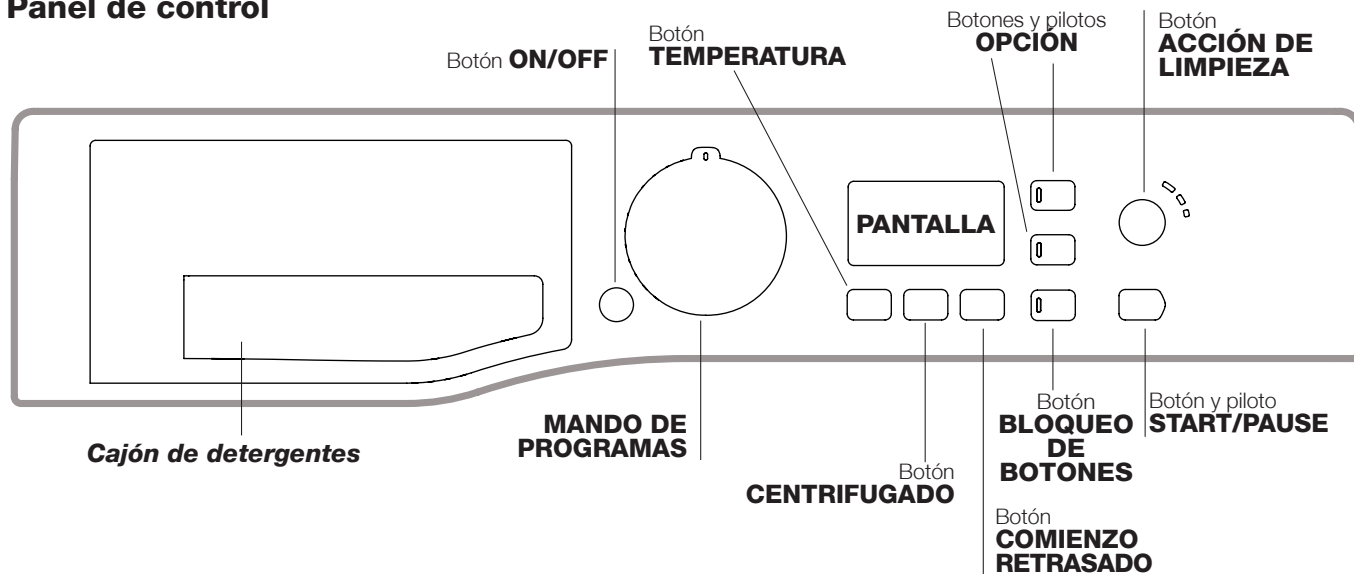
Esta máquina cumple con lo establecido por las siguientes Directivas de la Comunidad:

- 2004/108/CE (Compatibilidad Electromagnética)
- 2002/96/CE
- 2006/95/CE (Baja Tensión)

Descripción de la lavadora

ES

Panel de control



Cajón de detergentes: para cargar detergentes y aditivos (ver "Detergentes y ropa").

Botón **ON/OFF** : presione brevemente el botón para encender o apagar la máquina. El piloto START/PAUSE que centellea lentamente de color verde indica que la máquina está encendida. Para apagar la lavadora durante el lavado, es necesario mantener presionado el botón durante más tiempo, aproximadamente 3 seg.; si se presiona en forma más breve o accidental, la máquina no se apagará. Si la máquina se apaga durante un lavado en curso, dicho lavado se anulará.

MANDO DE PROGRAMAS: para seleccionar el programa deseado (ver "Tabla de programas").

Botones y pilotos **OPCIÓN:** para seleccionar las opciones disponibles. El piloto correspondiente a la opción seleccionada permanecerá encendido.

Botón **ACCIÓN DE LIMPIEZA** : pulse este botón para seleccionar la intensidad de lavado deseada.

Botón **TEMPERATURA** : presiónelo para disminuir o excluir la temperatura; el valor se indica en la pantalla.

Botón **CENTRIFUGADO** : presiónelo para disminuir o excluir totalmente el centrifugado; el valor se indica en la pantalla.

Botón **COMIENZO RETRASADO** : presiónelo para seleccionar un comienzo retrasado del programa previamente elegido; el retraso se indica en la pantalla.

Botón con piloto **START/PAUSE**: cuando el piloto verde centellea lentamente, presione el botón para que comience el lavado. Una vez que el ciclo ha comenzado, el piloto se mantiene fijo. Para poner en pausa el lavado, presione nuevamente el botón; el piloto centelleará con un color anaranjado. Si el símbolo no está iluminado, se podrá abrir la puerta. Para que el lavado se reanude a partir del momento en el cual fue interrumpido, presione nuevamente el botón.

Botón **BLOQUEO DE BOTONES** : para **activar** el bloqueo del panel de control, mantenga presionado el botón durante 2 segundos aproximadamente. El símbolo encendido indica que el panel de control está bloqueado. De este modo, se evitan modificaciones accidentales de los programas, sobre todo si en la casa hay niños. Para **desactivar** el bloqueo del panel de control, mantenga presionado el botón durante 2 segundos aproximadamente.

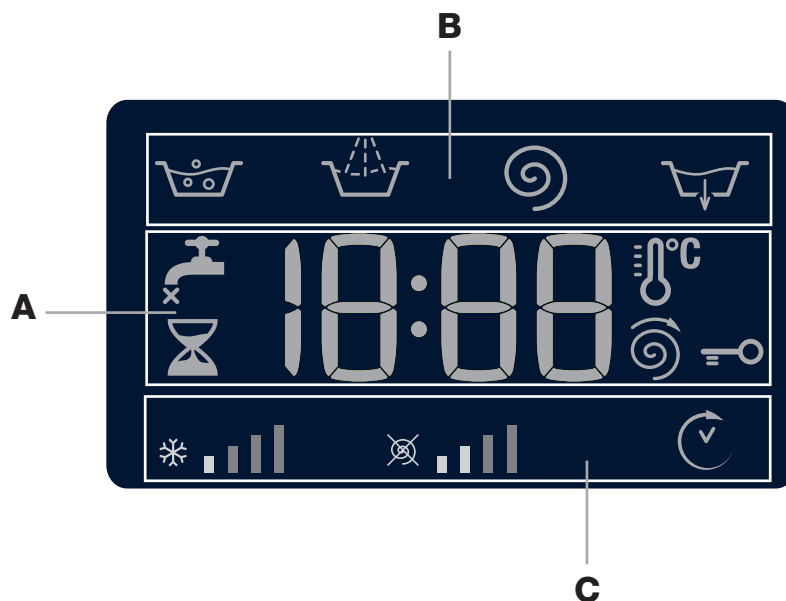
Modalidad de stand by

Esta lavadora está en conformidad con las nuevas normativas vinculadas al ahorro energético. Está dotada de un sistema de auto-apagado (stand by) que, en caso de no funcionamiento, se activa pasados aproximadamente 30 minutos. Presionar brevemente el botón ON/OFF y esperar que la máquina se active.

Consumo en off-mode: 1 W

Consumo en Left-on: 1 W

Pantalla



La pantalla es útil para programar la máquina y ofrece múltiple información.


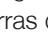
En la sección **A** se visualiza la duración de los distintos programas disponibles, para los que han comenzado, el tiempo que falta para su finalización; si se hubiera seleccionado un COMIENZO RETRASADO, se visualiza el tiempo que falta para que comience el programa seleccionado.

Además, presionando el botón correspondiente, se visualizan los valores máximos de la velocidad de centrifugado y de temperatura que la máquina puede alcanzar en base al programa seleccionado o los últimos valores seleccionados si son compatibles con el programa elegido.

En la sección **B** se visualizan las “fases de lavado” previstas para el ciclo seleccionado y, una vez comenzado el programa, la “fase de lavado” en curso:

-  Lavado
-  Aclarado
-  Centrifugado
-  Descarga


En la sección **C** se encuentran, comenzando desde la izquierda, los iconos correspondientes a la “temperatura”, al “centrifugado” y al “Comienzo retrasado”.

Las barras de “temperatura”   indican el nivel de temperatura con respecto al máximo que se puede seleccionar para el ciclo elegido.

Las barras de “centrifugado”   indican el nivel de centrifugado con respecto al máximo que se puede seleccionar para el ciclo elegido.

El símbolo “COMIENZO RETRASADO”  iluminado indica que en la pantalla se visualiza el valor del “Comienzo retrasado” fijado.

Piloto **Puerta bloqueada**

El símbolo encendido indica que la puerta está bloqueada. Para evitar daños, antes de abrir la puerta espere que el símbolo se apague. Para abrir la puerta mientras un ciclo está en curso, presione el botón START/PAUSE; si el símbolo PUERTA BLOQUEADA  está apagado, será posible abrir la puerta.

Cómo efectuar un ciclo de lavado


ES


1. **ENCENDER LA MÁQUINA.** Presione el botón ; el piloto START/PAUSE centelleará lentamente de color verde.
2. **CARGAR LA ROPA.** Abra la puerta. Cargue la ropa, cuidando no superar la cantidad de carga indicada en la tabla de programas de la página siguiente.
3. **DOSIFICAR EL DETERGENTE.** Extraiga el cajón y vierta el detergente en las cubetas correspondientes como se explica en “*Detergentes y ropa*”.
4. **CERRAR LA PUERTA.**
5. **ELEGIR EL PROGRAMA.** Seleccione con el mando PROGRAMAS el programa deseado; al mismo están asociadas una temperatura y una velocidad de centrifugado que se pueden modificar. En la pantalla aparecerá la duración del ciclo.
6. **PERSONALIZAR EL CICLO DE LAVADO.** Utilice los correspondientes botones:



Modificar la temperatura y/o el

centrifugado. La máquina muestra automáticamente la temperatura y la centrifugación máximas previstas para el programa fijado o las últimas seleccionadas si son compatibles con el programa elegido.




Presionando el botón  se disminuye progresivamente la temperatura hasta llegar al lavado en frío “OFF”.

Presionando el botón  se disminuye progresivamente el centrifugado hasta su exclusión “OFF”. Si se presionan una vez más los botones, se volverá a los valores máximos previstos.


! Excepción: cuando se selecciona el programa 4, la temperatura se puede aumentar hasta 90°.




Seleccionar un comienzo retrasado.

Para seleccionar el comienzo retrasado del programa elegido, presione el botón  correspondiente hasta alcanzar el tiempo de retraso deseado. Cuando dicha opción está activada, en la pantalla se ilumina el símbolo . Para cancelar el comienzo retrasado presione el botón  hasta que en la pantalla aparezca “OFF”.


Seleccionar la intensidad de lavado deseada.

La opción  permite optimizar el lavado en base al grado de suciedad de los tejidos y a la intensidad de lavado deseada.

Seleccione el programa de lavado, el ciclo automáticamente se fija en el nivel “Normal” optimizado para prendas medianamente sucias (selección no válida para el ciclo “Lana” que se fija automáticamente en el nivel “Delicate”).

Para prendas muy sucias, pulse el botón  hasta alcanzar el nivel “Intensive”. Este nivel garantiza un

lavado de grandes prestaciones gracias al uso de una mayor cantidad de agua en la fase inicial del ciclo y un mayor movimiento mecánico. Es útil para eliminar las manchas más resistentes. Puede emplearse **con o sin** lejía.

Si se desea realizar un blanqueo, introduzca la cubeta adicional 4 suministrada con la máquina, en la cubeta 1. Al verter el blanqueador, no supere el nivel “max” indicado en el perno central (*ver la figura de la pág. 32*). Para prendas poco sucias o para un tratamiento más delicado de los tejidos, pulse el botón  hasta alcanzar el nivel “Delicado”. El ciclo disminuirá el movimiento mecánico para garantizar resultados perfectos de lavado para las prendas delicadas.


Modificar las características del ciclo.


- Presione el botón para activar la opción; el piloto correspondiente al botón se encenderá.
- Presione nuevamente el botón para desactivar la opción; el piloto se apagará.

! Si la opción seleccionada no es compatible con el programa elegido, el piloto centelleará y la opción no se activará.

! Si la opción seleccionada no es compatible con otra precedentemente seleccionada, el piloto correspondiente a la primera función seleccionada centelleará y se activará solo la segunda, el piloto de la opción activada se iluminará.

! Las opciones pueden variar la carga recomendada y/o la duración del ciclo.



7. **PONER EN MARCHA EL PROGRAMA.** Presione el botón START/PAUSE. El piloto correspondiente se iluminará de color azul fijo y la puerta se bloqueará (símbolo PUERTA BLOQUEADA  encendido). Para cambiar un programa mientras un ciclo está en curso, **ponga la lavadora en pausa** presionando el botón START/PAUSE (el piloto START/PAUSE centelleará lentamente de color ámbar); luego seleccione el ciclo deseado y presione nuevamente el botón START/PAUSE.
Para abrir la puerta mientras un ciclo está en curso, presione el botón START/PAUSE; si el símbolo PUERTA BLOQUEADA  está apagado, será posible abrir la puerta. Presione nuevamente el botón START/PAUSE para reanudar el programa a partir del momento en el que se había interrumpido.
8. **FIN DEL PROGRAMA.** Se indica con el mensaje “END” en la pantalla, cuando el símbolo PUERTA BLOQUEADA  se apague, será posible abrir la puerta. Abra la puerta, descargue la ropa y apague la máquina.

! Si se desea anular un ciclo ya comenzado, presione largo tiempo el botón . El ciclo se interrumpirá y la máquina se apagará.

Programas y opciones

ES

Tabla de programas

Programas	Descripción del Programa	Temp. max. (°C)	Velocidad máx. (r.p.m.)	Detergentes				Carga máx. (Kg.)	Humedad residual %	Consumo de energía kWh	Agua total lt	Duración del ciclo
				Prelavado	Lavado	Blanqueador	Suavizante					
1	Antimancha	40°	1200	-	-	●	●	6	-	-	-	190'
2	Blancos	60°	1200	-	-	●	●	6	-	-	-	190'
3	Prelavado Algodón : blancos extremadamente sucios.	90°	1200	●	-	●	●	9	53	2,01	101	205'
4	Algodón (1) : blancos y colores resistentes muy sucios.	60° (Max. 90°)	1200	-	●	●	●	9	53	1,11	79	175'
5	Algodón Color (2-3) : blancos y colores delicados poco sucios.	40°	1200	-	●	●	●	9	53	0,85	82	170'
6	Sintético Resistente : colores resistentes muy sucios.	60°	800	-	●	●	●	5	48	1,00	57	115'
6	Sintético Resistente (4) : colores resistentes muy sucios.	40°	800	-	●	●	●	5	48	0,64	55	95'
7	Antialérgico	60°	1200	-	●	●	●	6	-	-	-	205'
8	Baby	40°	1000	-	●	●	●	6	-	-	-	155'
9	Lana : para lana, cachemira, etc.	40°	800	-	-	●	●	2,5	-	-	-	100'
10	Ultradelicado	30°	0	-	-	●	●	1	-	-	-	80'
11	Lavado Rápido 60' : para refrescar rápidamente prendas sucias (no se aconseja utilizarlo para lana, seda y prendas para lavar a mano).	60°	1200	-	-	●	●	4	53	0,55	57	60'
12	Algodón	Agua fría	1200	-	-	●	●	9	53	0,19	85	95'
13	Sintético	Agua fría	800	-	-	●	●	3,5	46	0,10	65	75'
14	Rápido 30'	Agua fría	800	-	-	●	●	3,5	71	0,05	44	30'
	Aclarado	-	1200	-	-	-	●	9	-	-	-	36'
	Centrifugado y Descarga	-	1200	-	-	-	-	9	-	-	-	16'

La duración del ciclo que se indica en el visor o en el manual es una estimación calculada en base a condiciones estándar. El tiempo efectivo puede variar en función de numerosos factores como la temperatura y la presión del agua de entrada, la temperatura ambiente, la cantidad de detergente, la cantidad y el tipo de carga, el equilibrado de la carga y las opciones adicionales seleccionadas.

Para todos los Test Institutes:

1) Programa de control según la directiva 1061/2010: seleccione el programa 4 con una temperatura de 60°C.

Este ciclo es adecuado para limpiar una carga de algodón normalmente sucia, es el más eficiente en lo que se refiere al consumo combinado con la energía y la cantidad de agua y se usa con prendas lavables a 60°C. La temperatura efectiva de lavado puede diferir de la indicada.

2) Programa de control según la directiva 1061/2010: seleccione el programa 5 con una temperatura de 40°C.

Este ciclo es adecuado para limpiar una carga de algodón normalmente sucia, es el más eficiente en lo que se refiere al consumo combinado con la energía y la cantidad de agua y se usa con prendas lavables a 40°C. La temperatura efectiva de lavado puede diferir de la indicada.


3) Programa algodón largo: seleccione el programa 5 con una temperatura de 40°C.

4) Programa sintético largo: seleccione el programa 6 con una temperatura de 40°C.

Opciones de lavado



Aclarado Extra

Al elegir esta opción aumentará la eficacia del aclarado y se asegurará la máxima eliminación del detergente. Es útil para pieles particularmente sensibles.

! No se puede activar con los programas 7, 10, 14, .

Rápido

Seleccionando esta función se disminuye la duración del programa hasta un 50% según el ciclo elegido, garantizando al mismo tiempo un ahorro de agua y energía. Utilice este ciclo para prendas no excesivamente sucias.

! No se puede activar con los programas 1, 2, 7, 8, 9, 10, 11, 12, 13, 14, , .

Detergentes y ropa

ES

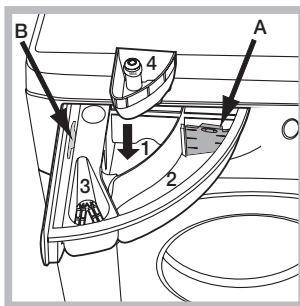
Contenedor de detergentes

El buen resultado del lavado depende también de la correcta dosificación del detergente: si se excede la cantidad, no se lava de manera más eficaz, sino que se contribuye a encostrar las partes internas de la lavadora y a contaminar el medio ambiente.

! Utilice detergentes en polvo para prendas de algodón blancas, para el prelavado y para lavados con una temperatura mayor que 60°C.

! Respete las indicaciones que se encuentran en el envase de detergente.

! No use detergentes para el lavado a mano porque producen demasiada espuma.



Extraiga el contenedor de detergentes e introduzca el detergente o el aditivo de la siguiente manera:

Compartimento 1: Detergente para prelavado (en polvo)

Antes de verter el detergente, verifique que no esté colocada la cubeta adicional 4.

Compartimento 2: Detergente para lavado (en polvo o líquido)

Si se utiliza detergente líquido, se aconseja colocar el tabique divisorio A suministrado con la máquina, para una correcta dosificación. Cuando utilice detergente en polvo, vuelva a colocar el tabique divisorio en la cavidad B.

Compartimento 3: Aditivos (suavizante, etc.)

El suavizante no se debe volcar fuera de la rejilla.

cubeta adicional 4: Blanqueador

Preparar la ropa

- Subdivida la ropa según:
 - el tipo de tejido / el símbolo en la etiqueta.
 - los colores: separe las prendas de color y las blancas.
- Vacíe los bolsillos y controle los botones.
- No supere los valores indicados, referidos al peso de la ropa seca:
 - Tejidos resistentes: max 9 kg.
 - Tejidos sintéticos: max 5 kg.
 - Lana: max 2,5 kg.
 - Seda: max 2,5 kg.

¿Cuánto pesa la ropa?

- 1 sábana 400/500 g
- 1 funda 150/200 g
- 1 mantel 400/500 g
- 1 albornoz 900/1.200 g
- 1 toalla 150/250 g

Programas particulares

Antimancha: el programa **1** es adecuado para el lavado de prendas muy sucias, con colores resistentes. El programa garantiza una clase de lavado superior a la clase estándar (clase A). No ejecute el programa mezclando prendas de distintos colores. Se aconseja el uso de detergente en polvo. Si las manchas son difíciles de eliminar, realice un pretratamiento con aditivos específicos.

Blancos: utilice el ciclo **2** para el lavado de las prendas blancas. El programa ha sido estudiado para mantener el brillo de las prendas blancas. Para obtener mejores resultados, se recomienda el uso de detergente en polvo.

Antialérgico: utilice el programa **7** para la eliminación de los principales alérgenos como polen, ácaros, pelos de gato y de perro.

Baby: utilice el programa correspondiente **8** para quitar la suciedad típica de los niños y eliminar el detergente de las prendas evitando reacciones alérgicas en la piel delicada de los mismos. Este ciclo ha sido estudiado para disminuir la carga bacteriana utilizando una mayor cantidad de agua y optimizando el efecto de aditivos específicos higienizantes agregados al detergente.

Lana: El ciclo de lavado "Lana" de esta lavadora Hotpoint-Ariston ha sido probado y aprobado por la Woolmark Company para el lavado de prendas de lana clasificadas como "lavables a mano", siempre que el lavado se realice respetando las instrucciones contenidas en la etiqueta de la prenda y las indicaciones suministradas por el fabricante del electrodoméstico. Hotpoint-Ariston es la primera marca de lavadoras que ha obtenido de la Woolmark Company la certificación Woolmark Apparel Care - Platinum por sus prestaciones de lavado y por el consumo de agua y energía. (M1135)



Ultradelicado: utilice el programa **10** para el lavado de las prendas muy delicadas que tienen aplicaciones como strass o lentejuelas.

Para el lavado de las prendas de **seda** o **cortinas**, seleccione el ciclo **10** y fije el nivel "Delicate" de la opción . Se recomienda voltear las prendas antes del lavado e introducir las más pequeñas en la bolsa para el lavado de prendas delicadas. Para obtener mejores resultados, se recomienda el uso de detergente líquido para prendas delicadas.

Programas Eco

Los programas Eco ofrecen buenos rendimientos en los lavados a bajas temperaturas permitiendo un menor uso de energía eléctrica con un beneficio para el medio ambiente y un ahorro económico.

Los programas Eco (**12** Algodón, **13** Sintéticos y **14** Rápido 30') han sido creados para distintos tipos de tejido y para prendas poco sucias.

Para garantizar un resultado óptimo, recomendamos el uso de un detergente líquido. Se aconseja además tratar previamente los puños, cuellos y manchas.

Precauciones y consejos

ES

! La lavadora fue proyectada y fabricada en conformidad con las normas internacionales de seguridad. Estas advertencias se suministran por razones de seguridad y deben ser leídas atentamente.

Seguridad general

- Este aparato ha sido fabricado para un uso de tipo doméstico exclusivamente.
- El aparato no debe ser empleado por personas (niños incluidos) con capacidades físicas, sensoriales o mentales reducidas y con experiencias y conocimientos insuficientes, a menos que dicho uso no se realice bajo la supervisión o las instrucciones de una persona responsable de su seguridad. Los niños deben ser vigilados para asegurarse que no jueguen con el aparato.
- La lavadora debe ser utilizada sólo por personas adultas y siguiendo las instrucciones contenidas en este manual.
- No toque la máquina con los pies desnudos ni con las manos o los pies mojados o húmedos.
- No desenchufe la máquina tirando el cable, sino tomando el enchufe.
- No abra el cajón de detergentes mientras la máquina está en funcionamiento.
- No toque el agua de descarga ya que puede alcanzar temperaturas elevadas.
- En ningún caso fuerce la puerta: podría dañarse el mecanismo de seguridad que la protege de aperturas accidentales.
- En caso de avería, no acceda nunca a los mecanismos internos para intentar una reparación.
- Controle siempre que los niños no se acerquen a la máquina cuando está en funcionamiento.
- Durante el lavado, la puerta tiende a calentarse.
- Si debe ser trasladada, deberán intervenir dos o más personas, procediendo con el máximo cuidado. La máquina no debe ser desplazada nunca por una sola persona ya que es muy pesada.
- Antes de introducir la ropa controle que el cesto esté vacío.

Sistema de equilibrado de la carga

Antes de cada centrifugado, para evitar vibraciones excesivas y para distribuir la carga de modo uniforme, el cesto realiza rotaciones a una velocidad ligeramente superior a la del lavado. Si después de varios intentos, la carga todavía no está correctamente equilibrada, la máquina realiza el centrifugado a una velocidad inferior a la prevista. Cuando existe un excesivo desequilibrio, la lavadora realiza la distribución antes que el centrifugado. Para obtener una mejor distribución de la carga y su correcto equilibrado, se aconseja mezclar prendas grandes y pequeñas.

Eliminaciones

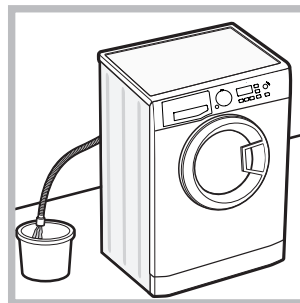
- Eliminación del material de embalaje: respete las normas locales, de ese modo, los embalajes podrán volver a ser utilizados.
- La norma Europea 2002/96/CE sobre la eliminación de aparatos eléctricos y electrónicos, indica que los

electrodomésticos no deben ser eliminados de la misma manera que los desechos sólidos urbanos. Los aparatos en desuso se deben recoger separadamente para optimizar el porcentaje de recuperación y reciclaje de los materiales que los componen e impedir potenciales daños para la salud y el medio ambiente. El símbolo de la papelera tachada se encuentra en todos los productos para recordar la obligación de recolección separada.

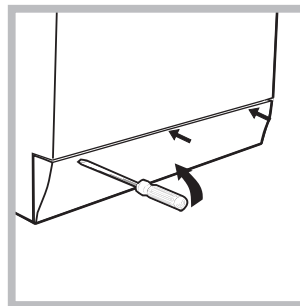
Para mayor información sobre la correcta eliminación de los electrodomésticos, los poseedores de los mismos podrán dirigirse al servicio público responsable o a los revendedores.

Apertura manual de la puerta

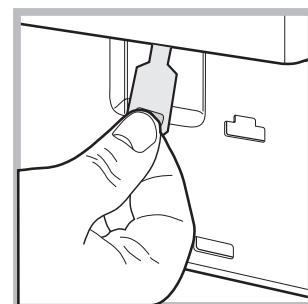
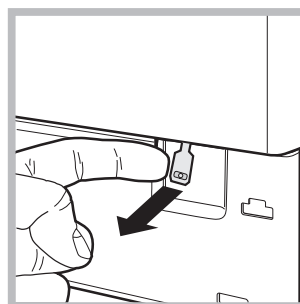
Si desea sacar la ropa de la lavadora y no es posible abrir la puerta debido a un corte de energía eléctrica, proceda del siguiente modo:



1. desenchufe la máquina.
2. verifique que el nivel de agua en el interior de la máquina sea inferior al hueco de la puerta; si no es así, extraiga el agua en exceso utilizando el tubo de descarga y recogiéndola en un balde como se indica en la figura.



3. quite el panel de cobertura delantero de la lavadora con la ayuda de un destornillador (ver la figura).



4. utilizando la lengüeta indicada en la figura, tire hacia fuera hasta liberar la varilla de plástico del retén; posteriormente tire hacia abajo y simultáneamente abra la puerta.
5. vuelva a montar el panel verificando, antes de empujarlo hacia la máquina, que los ganchos se hayan introducido en las correspondientes ranuras.

Mantenimiento y cuidados

ES

Interrumpir el agua y la corriente eléctrica

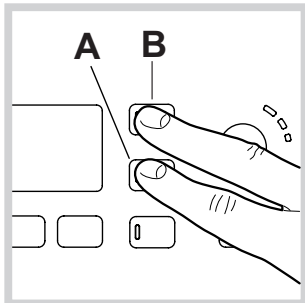
- Cierre el grifo de agua después de cada lavado. De este modo se limita el desgaste de la instalación hidráulica de la lavadora y se elimina el peligro de pérdidas.
- Desenchufe la máquina cuando la debe limpiar y durante los trabajos de mantenimiento.

Limpiar la lavadora

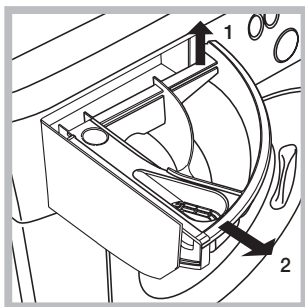
- La parte externa y las partes de goma se pueden limpiar con un paño embebido en agua tibia y jabón. No use solventes ni productos abrasivos.
- La lavadora posee un programa de "Auto Limpieza" de su interior que se debe realizar **sin ningún tipo de carga en el cesto**.

El detergente (en un 10% de la cantidad aconsejada para prendas poco sucias) o algunos aditivos específicos para la limpieza de la ropa se podrán utilizar como coadyuvantes en el programa de lavado. Se aconseja efectuar el programa de limpieza cada 40 ciclos de lavado. Para activar el programa, pulse simultáneamente los botones **A** y **B** durante 5 segundos (*ver la figura*).

El programa comenzará automáticamente y tendrá una duración de 70 minutos aproximadamente. Para detener el ciclo presione el botón START/PAUSE.



Limpiar el contenedor de detergentes



Extraiga el contenedor levantándolo y tirándolo hacia fuera (*ver la figura*).

Lávelo debajo del agua corriente, esta limpieza se debe realizar frecuentemente.

Cuidar la puerta y el cesto

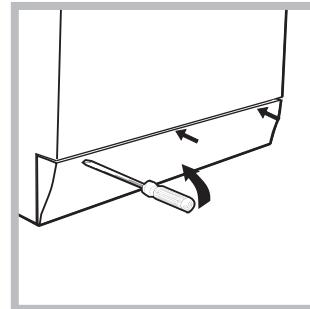
- Deje siempre semicerrada la puerta para evitar que se formen malos olores.

Limpiar la bomba

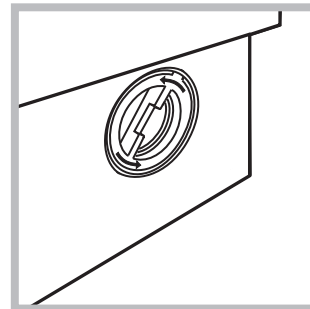
La lavadora posee una bomba autolimpiante que no necesita mantenimiento. Pero puede suceder que objetos pequeños (monedas, botones) caigan en la precámara que protege la bomba, situada en la parte inferior de la misma.

! Verifique que el ciclo de lavado haya terminado y desenchufe la máquina.

Para acceder a la precámara:



1. quite el panel que cubre la parte delantera de la lavadora con la ayuda de un destornillador (*ver la figura*);



2. desenrosque la tapa girándola en sentido antihorario (*ver la figura*); es normal que se vuelque un poco de agua;

3. limpie con cuidado el interior;
4. vuelva a enroscar la tapa;
5. vuelva a montar el panel verificando, antes de empujarlo hacia la máquina, que los ganchos se hayan introducido en las correspondientes ranuras.

Controlar el tubo de alimentación de agua

Controle el tubo de alimentación al menos una vez al año. Si presenta grietas o rajaduras debe ser sustituido: durante los lavados, las fuertes presiones podrían provocar roturas imprevistas.

! No utilice nunca tubos ya usados.

Anomalías y soluciones

Puede suceder que la lavadora no funcione. Antes de llamar al Servicio de Asistencia Técnica (ver “Asistencia Técnica”), controle que no se trate de un problema de fácil solución utilizando la siguiente lista.

Anomalías:

La lavadora no se enciende.

Posibles causas / Solución:

- El enchufe no está introducido en la toma de corriente, o no hace contacto.
- En la casa no hay corriente.

El ciclo de lavado no comienza.

- La puerta no está correctamente cerrada.
- El botón ON/OFF no fue pulsado.
- El botón START/PAUSE no ha sido presionado.
- El grifo de agua no está abierto.
- Se fijó un retraso de la hora de puesta en funcionamiento.

La lavadora no carga agua (En la pantalla se visualiza el mensaje “H2O” centelleante).

- El tubo de alimentación de agua no está conectado al grifo.
- El tubo está plegado.
- El grifo de agua no está abierto.
- En la casa no hay agua.
- No hay suficiente presión.
- El botón START/PAUSE no ha sido presionado.

La lavadora carga y descarga agua continuamente.

- El tubo de descarga no está instalado entre los 65 y 100 cm. del suelo (ver “Instalación”).
- El extremo del tubo de descarga está sumergido en el agua (ver “Instalación”).
- La descarga de pared no posee un respiradero.

Si después de estas verificaciones, el problema no se resuelve, cierre el grifo de agua, apague la lavadora y llame al Servicio de Asistencia Técnica. Si la vivienda se encuentra en uno de los últimos pisos de un edificio, es posible que se verifiquen fenómenos de sifonaje, por ello la lavadora carga y descarga agua de modo continuo. Para eliminar este inconveniente se encuentran disponibles en el comercio válvulas especiales que permiten evitar el sifonaje.

La lavadora no descarga o no centrifuga.

- El programa no prevé la descarga: con algunos programas es necesario activarla manualmente .
- El tubo de descarga está plegado (ver “Instalación”).
- El conducto de descarga está obstruido.

La lavadora vibra mucho durante la centrifugación.

- El cesto, en el momento de la instalación, no fue desbloqueado correctamente (ver “Instalación”).
- La máquina no está instalada en un lugar plano (ver “Instalación”).
- Existe muy poco espacio entre la máquina, los muebles y la pared (ver “Instalación”).

La lavadora pierde agua.

- El tubo de alimentación de agua no está bien enroscado (ver “Instalación”).
- El contenedor de detergentes está obstruido (para limpiarlo ver “Mantenimiento y cuidados”).
- El tubo de descarga no está bien fijado (ver “Instalación”).

Los pilotos de las “Opciones” y de START/PAUSE centellean velozmente y en la pantalla se visualiza un código de anomalía (por ej.: F-01, F-...).

- Apague la máquina y desenchúfela, espere aproximadamente 1 minuto y luego vuelva a encenderla.
Si la anomalía persiste, llame al Servicio de Asistencia Técnica.

Se forma demasiada espuma.

- El detergente no es específico para la lavadora (debe contener algunas de las frases “para lavadora”, “a mano o en lavadora” o similares).
- La dosificación fue excesiva.

Asistencia Técnica

ES

Antes de llamar al Servicio de Asistencia Técnica:

- Verifique si la anomalía la puede resolver Ud. solo (ver “Anomalías y soluciones”);
- Vuelva a poner en marcha el programa para controlar si el inconveniente fue resuelto;
- Si no es así, llame a un Centro de Asistencia Técnica.

! No recurra nunca a técnicos no autorizados.

Comuniqué:

- el tipo de anomalía;
- el modelo de la máquina (Mod.);
- el número de serie (S/N).

Esta información se encuentra en la placa aplicada en la parte posterior de la lavadora y en la parte delantera abriendo la puerta.

Instruções para a utilização

MÁQUINA DE LAVAR ROUPA

PT

Português

WMG 922

Sumário

Instalação, 38-39

Desembalar e nivelar
Ligações hidráulicas e eléctricas
Primeiro ciclo de lavagem
Dados técnicos

Descrição da máquina de lavar roupa, 40-41

Painel de comandos
Visor

Como efectuar um ciclo de lavagem, 42

Programas e opções, 43

Tabela dos programas
Opções de Lavagem

Detergentes e roupa, 44

Gaveta dos detergentes
Preparar a roupa
Programas especiais

Precauções e conselhos, 45

Segurança geral
Eliminação
Abertura manual da porta de vidro

Manutenção e cuidados, 46

Interromper a alimentação de água e de corrente eléctrica
Limpar a máquina de lavar roupa
Limpar a gaveta dos detergentes
Cuidados com a porta de vidro e o tambor
Limpar a bomba
Verificar o tubo de alimentação de água

Anomalias e soluções, 47

Assistência, 48

PT

Instalação

PT

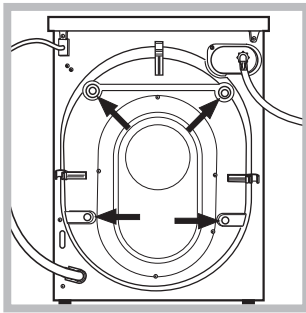
! É importante guardar este livrete para poder consultá-lo a qualquer momento. Se a máquina for vendida, cedida ou transferida, certifique-se que este livrete permaneça com a máquina para informar o novo proprietário acerca do seu funcionamento e das respectivas advertências.

! Leia com atenção estas instruções: há importantes informações acerca da instalação, da utilização e da segurança.

Desembalar e nivelar

Desembalar

1. Tire a máquina de lavar roupa da embalagem.
2. Verifique se a máquina de lavar roupa sofreu danos no transporte. Se estiver danificada não efectue a sua ligação e contacte o revendedor.



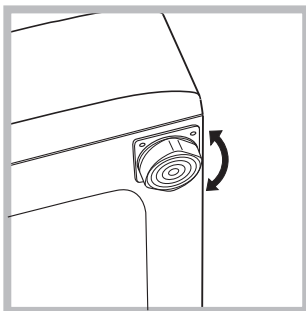
3. Tire os 4 parafusos de protecção para o transporte e a borrachinha com o respectivo calço, situados na parte traseira (veja a figura).

4. Tape os furos com as tampas em plástico fornecidas.
5. Guarde todas as peças: se for necessário transportar a máquina de lavar roupa, terão de ser montadas outra vez.

! Embalagens não são brinquedos para as crianças!

Nivelamento

1. Instale a máquina de lavar roupa sobre um pavimento plano e rígido, sem encostá-la em paredes, móveis nem outro.

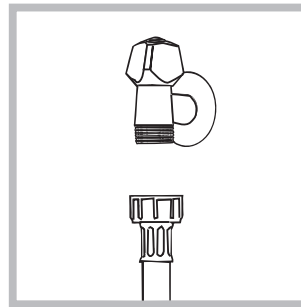


2. Se o pavimento não for perfeitamente horizontal, para compensar qualquer irregularidade, desatarraxe ou atarraxe os pés dianteiros (veja a figura); o ângulo de inclinação, medido no plano de trabalho, não deve ultrapassar 2°.

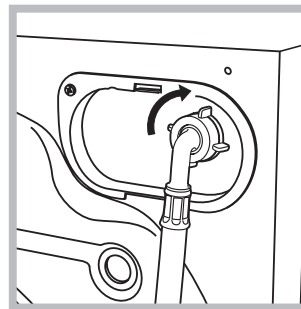
Um cuidadoso nivelamento dá estabilidade à máquina e evita vibrações, ruídos e deslocamentos durante o funcionamento. Se houver tapete ou alcatifa, regule os pés De modo a que debaixo da máquina de lavar roupa haja um espaço suficiente para ventilação.

Ligações hidráulicas e eléctricas

Ligação do tubo de alimentação da água



1. Realize a ligação do tubo de alimentação parafusando-o a uma torneira de água fria com bocal de rosca de 3/4 gás (veja a figura). Antes de realizar esta ligação, haja a água escorrer até estar límpida.



2. Ligue o tubo de alimentação na máquina de lavar roupa atarraxando-o no apropriado fornecimento da água, na parte traseira, em cima à direita (veja a figura).

3. Tome cuidado para o tubo não ser dobrado nem esmagado.

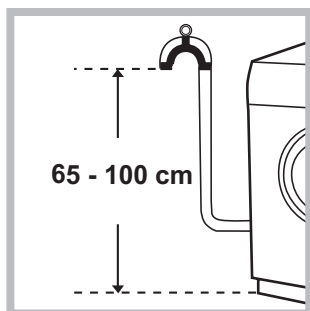
! A pressão hídrica da torneira deve ser entre os valores da tabela dos Dados técnicos (veja a página ao lado).

! Se o comprimento do tubo de alimentação não for suficiente, contacte uma oficina especializada ou um técnico autorizado.

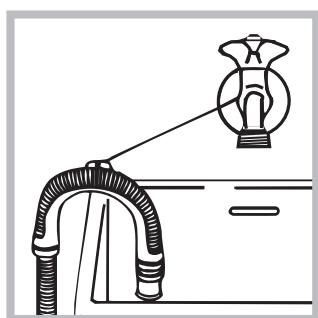
! Nunca utilize tubos já usados.

! Utilize aqueles fornecidos com a máquina.

Ligação do tubo de descarga



Ligue o tubo de descarga, sem dobrá-lo, a uma conduta de descarga ou a uma descarga na parede situada entre 65 e 100 cm de altura do chão;



ou coloque na beira de um lavabo ou de uma banheira, prenda na torneira a guia fornecida (veja a figura). A ponta solta do tubo de descarga não deve permanecer emergida na água.

! É desaconselhado empregar tubos de extensão; mas se for indispensável, a extensão deve ter o mesmo diâmetro do tubo original e não medir mais de 150 cm de comprimento.

Ligação eléctrica

Antes de ligar a ficha na tomada eléctrica, certifique-se que:

- a tomada tenha uma ligação à terra e seja nos termos da legislação;
- a tomada tenha a capacidade para suportar a carga máxima de potência da máquina, indicada na tabela dos Dados técnicos (veja ao lado);
- a tensão de alimentação seja entre os valores indicados na tabela dos Dados técnicos (veja ao lado);
- a tomada seja compatível com a ficha da máquina de lavar roupa. Se não for, substitua a tomada ou a ficha.

! Esta máquina de lavar roupa não deve ser instalada ao aberto, nem mesmo abrigada, porque é muito perigoso deixá-la exposta à chuva e às tempestades.

! Depois de ter instalado a máquina de lavar roupa, o acesso à tomada eléctrica deve ser fácil.

! Não empregue extensões nem fichas múltiplas.

! O cabo não deve ser dobrado nem apertado.

! O cabo de alimentação deve ser substituído somente por técnicos autorizados.

Atenção! O fabricante declina toda a responsabilidade se estas regras não forem respeitadas.

Primeiro ciclo de lavagem

Depois da instalação, antes de usar, efectue um ciclo de lavagem com detergente mas sem roupa, defina o programa "Auto Limpeza" (veja "Limpar a máquina de lavar roupa").

Dados técnicos

Modelo	WMG 922
Medidas	largura 59,5 cm altura 85 cm profundidade 60,5 cm
Capacidade	de 1 a 9 kg
Ligações eléctricas	veja a placa das características técnicas colocada na máquina
Ligações hídricas	pressão máxima 1 MPa (10 bars) pressão mínima 0,05 MPa (0,5 bar) capacidade do tambor 71 litros
Velocidade da centrifugação	até 1200 rotações por minuto
Programas de controlo conforme as directivas 1061/2010 e 1015/2010	programa 4; temperatura 60°C; programa 5; temperatura 40°C.



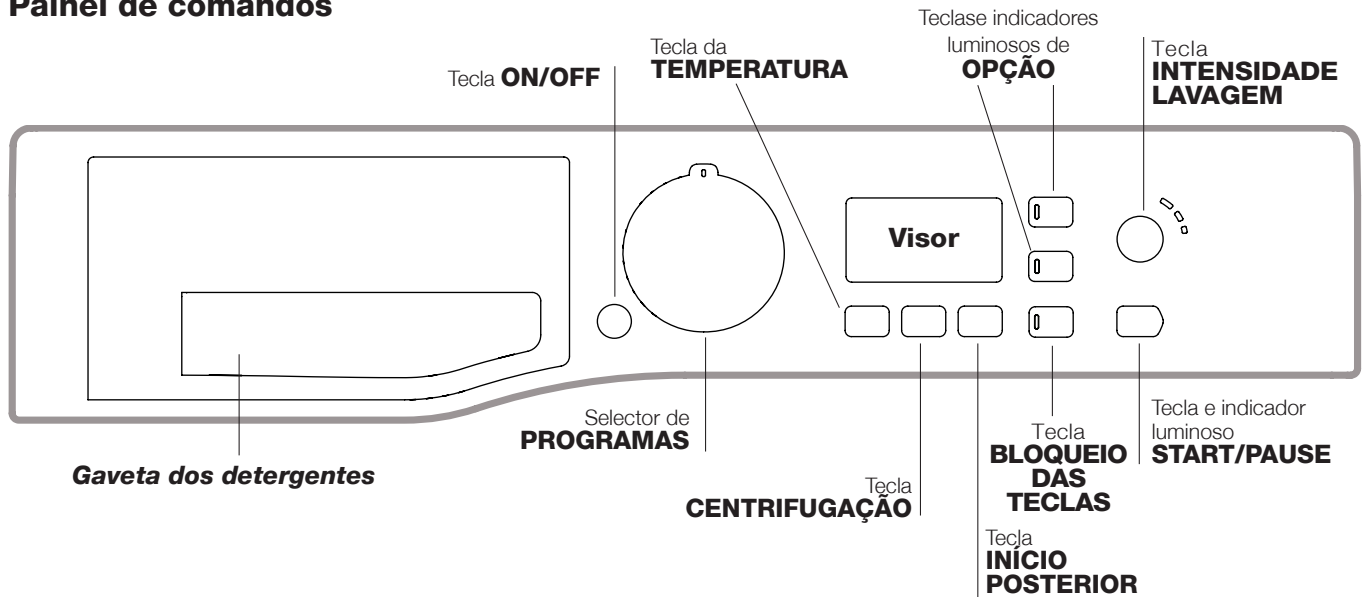
Esta aparelhagem é em conformidade com as seguintes Directivas Comunitárias:

- 2004/108/CE (Compatibilidade Electro-magnética)
- 2002/96/CE
- 2006/95/CE (Baixa Tensão)


Descrição da máquina de lavar roupa

PT

Painel de comandos



Gaveta dos detergentes: para colocar detergentes e aditivos (veja “Detergentes e roupa”).

Tecla **ON/OFF** : carregue brevemente na tecla para ligar ou desligar a máquina. O indicador luminoso START/PAUSE que pisca lentamente com a cor verde, indica que a máquina está ligada. Para desligar a máquina de lavar roupa durante a lavagem, é necessário manter pressionado a tecla por mais tempo, aproximadamente 3 segundos; uma pressão breve ou acidental não anulará o funcionamento da máquina. O desligar a máquina durante uma lavagem em curso anula a própria lavagem.


Selector de **PROGRAMAS**: para seleccionar o programa desejado (veja a “Tabela dos programas”).


Botões e indicadores luminosos **OPÇÃO**: para seleccionar as opções disponíveis. O indicador luminoso correspondente à opção seleccionada permanecerá aceso.



Tecla **INTENSIDADE LAVAGEM** : pressione para seleccionar a intensidade de lavagem desejada.

Tecla **TEMPERATURA** : pressionar para reduzir ou excluir a temperatura; o valor é indicado no visor.

Tecla **CENTRIFUGAÇÃO** : pressionar para reduzir ou excluir completamente a centrifugação; o valor é indicado no visor.

Tecla **INÍCIO POSTERIOR** : pressionar para programar um início atrasado do programa escolhido; o atraso é indicado no visor.

Tasto com indicador luminoso **START/PAUSE**: quando o indicador luminoso verde, acender intermitentemente, carregue na tecla para iniciar uma lavagem. Quando o ciclo iniciar, o indicador permanecerá aceso fixo. Para colocar em pausa a lavagem, carregar novamente no botão; o indicador ficará intermitente com uma luz laranja. Se o símbolo  não estiver iluminado, será possível abrir a porta de vidro. Para fazer iniciar a lavagem do ponto em que foi interrompida, carregar novamente na tecla.

Tecla **BLOQUEIO DAS TECLAS** : para **activar** o bloqueio do painel de comandos, manter pressionada a tecla durante aproximadamente 2 segundos. O símbolo  aceso indica que o painel de comandos está bloqueado. Deste modo, impedem-se modificações acidentais dos programas, sobretudo se houver crianças em casa. Para **desactivar** o bloqueio do painel de comandos, mantenha pressionada a tecla durante aproximadamente 2 segundos.

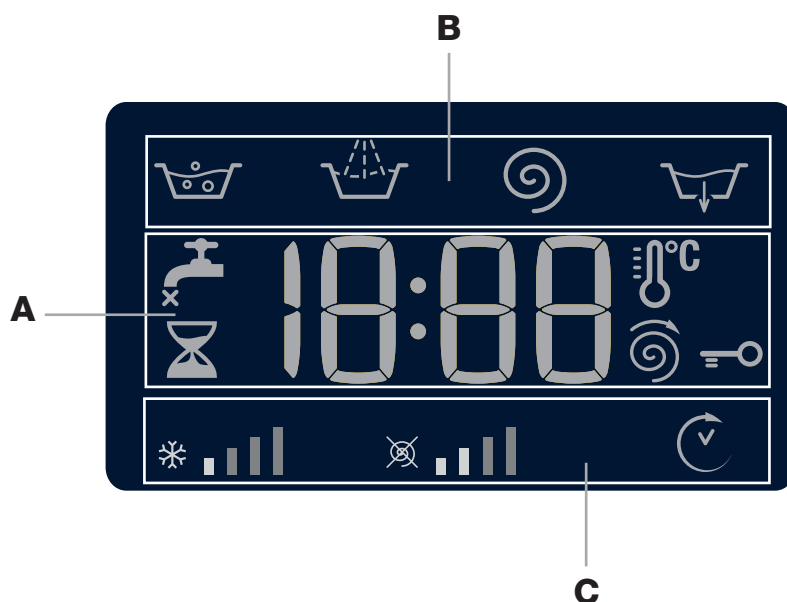
Modalidade de Stand by

Esta máquina de lavar roupa, em conformidade com as novas normas sobre a economia energética, dispõe de um sistema de desligação automática (stand by) que entra em função aproximadamente 30 minutos depois, no caso de inutilização. Carregue brevemente no botão ON/OFF e aguarde até a reactivação da máquina.

Consumo em off-mode: 1 W

Consumo em Left-on: 1 W

Visor



O visor é útil para programar a máquina e fornece muitas informações.

Na secção **A** é visualizada a duração dos vários programas à disposição e com o ciclo iniciado o tempo restante para o fim do mesmo; no caso em que tenha sido programado um INÍCIO POSTERIOR, será visualizado o tempo Restante para o início do programa seleccionado.

Além disto, ao carregar na respectiva tecla, serão visualizados os valores máximos da velocidade de centrifugação e de temperatura que a máquina pode efectuar conforme o programa seleccionado ou os últimos valores seleccionados compatíveis com o programa escolhido.

Na secção **B** são visualizadas as “fases de lavagem” previstas para o ciclo seleccionado e com o programa iniciado a “fase de lavagem” em curso.

- Lavagem
- Enxaguamento
- Centrifugação
- Descarga

Na secção **C** estão presentes, da esquerda para a direita, os ícones relativos à “temperatura”, à “centrifugação” e ao “Início posterior”.

As barras da “temperatura” indicam o nível de temperatura relativo ao máximo seleccionável para o ciclo programado. As barras da “centrifugação” indicam o nível de centrifugação relativo ao máximo seleccionável para o ciclo programado.

O símbolo “INÍCIO POSTERIOR” iluminado indica que no visor é visualizado o valor do “Início posterior” configurado.


Indicador luminoso **Porta bloqueada**

O símbolo aceso indica que a porta está bloqueada. Para evitar danos é necessário aguardar que o símbolo apaga antes de abrir a porta de vidro.

Para abrir a porta durante a realização de um ciclo, carregar na tecla START/PAUSE; se o símbolo PORTA DE VIDRO BLOQUEADA estiver apagado será possível abrir a porta.

Como efectuar um ciclo de lavagem



PT

- 1. LIGAR A MÁQUINA.** Carregue na tecla ; o indicador luminoso START/PAUSE piscará lentamente na cor verde.
- 2. COLOCAR A ROUPA** Abrir a porta de vidro. Coloque a roupa dentro da máquina prestando atenção para não superar a carga máxima indicada na tabela dos programas na página seguinte.
- 3. DOSAGEM DO DETERGENTE.** Extrair a gaveta e deitar o detergente nos específicos recipientes como explicado no parágrafo “*Detergentes e roupa*”.
- 4. FECHAR A PORTA DE VIDRO.**
- 5. Escolha do programa.** Selecciona com o selector dos PROGRAMAS o programa desejado; ao mesmo é associada uma temperatura e uma velocidade de centrifugação que podem ser modificadas. No visor aparecerá a duração do ciclo.
- 6. PERSONALIZAR O ciclo de lavagem.** Utilizar as específicas teclas:



Modificar a temperatura e/ou a





centrifugação. A máquina visualiza automaticamente a temperatura e a centrifugação máximas para o programa seleccionado ou as últimas seleccionadas se compatíveis com o programa escolhido. Carregando no botão  pode-se reduzir a temperatura progressivamente até a lavagem a frio “OFF”. Carregando no botão  pode-se reduzir a centrifugação progressivamente até a sua exclusão “OFF”. Uma posterior pressão dos botões colocará os valores novamente aos máximos previstos.


! Excepção: seleccionando o programa **4** a temperatura pode ser aumentada até a 90°.




Programar um início posterior.

Para programar o início atrasado do programa escolhido, carregue no botão relativo até alcançar o tempo de atraso desejado. Quando a opção estiver activa, no visor ilumina-se o símbolo . Para cancelar a opção de início posterior, carregue novamente na tecla  até que no visor apareça a escrita “OFF”.


Configurar a intensidade de lavagem desejada.

A opção  permite otimizar a lavagem conforme o grau de sujidade dos tecidos e à intensidade de lavagem desejada.

Seleccionar o programa de lavagem, o ciclo será configurado automaticamente no nível “**Normal**”, optimizado para peças mediamente sujas (configuração não válida para o ciclo “**Lã**” que configura-se automaticamente no nível “**Delicate**”).

Para peças muito sujas, pressione a tecla  até chegar ao nível “**Intensive**”. Este nível garante uma

lavagem de alto desempenho, graças ao uso de uma maior quantidade de água na fase inicial do ciclo e a uma maior movimentação mecânica, útil para eliminar as manchas mais resistentes. Pode ser utilizada **com** ou **sem** lixívia. Se quiser efectuar o branqueamento, coloque o recipiente adicional **4**, fornecido com o produto, no recipiente **1**. Quando deitar a lixívia, não ultrapasse o nível “máx” indicado no pino central (*veja a figura da pág. 44*).

Para peças pouco sujas ou para um tratamento mais delicado dos tecidos, pressione a tecla  até alcançar o nível “**Delicate**”. O ciclo reduzirá a movimentação mecânica para garantir resultados de lavagem perfeitos para as peças delicadas.


Modificar as características do ciclo.


- Pressionar o botão para activar a opção; o indicador luminoso correspondente ao botão irá acender-se.
- Carregar novamente no botão para desactivar a opção; o respectivo indicador luminoso irá apagar-se.

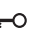
! Se a opção seleccionada não for compatível com o programa definido, o indicador luminoso acender-se-á intermitente e a opção não ficará activa.

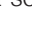
! Se a opção seleccionada não for compatível com uma outra programada anteriormente, o respectivo indicador luminoso irá piscar e ficará activa somente a segunda, o indicador luminoso do botão irá acender-se.

! As opções podem variar a carga recomendada e/ou a duração do ciclo.

- 7. INICIAR O PROGRAMA.** Carregar no botão START/PAUSE. O respectivo indicador luminoso ficará azul fixo e a porta de vidro irá bloquear-se (símbolo PORTA BLOQUEADA  aceso). Para modificar um programa durante a realização de um ciclo, **colocar a máquina de lavar roupa em pausa** carregando na tecla START/PAUSE (o indicador luminoso START/PAUSE irá piscar lentamente na cor laranja); seleccionar então o ciclo desejado e carregar novamente no botão START/PAUSE.

Para abrir a porta durante a realização de um ciclo, carregar no botão START/PAUSE; se o símbolo PORTA BLOQUEADA  estiver apagado será possível abrir a porta. Carregar novamente no botão START/PAUSE para fazer iniciar o programa do ponto em que foi interrompido.



- 8. FIM DO PROGRAMA.** É indicado pela escrita “**END**” no visor, quando o símbolo PORTA BLOQUEADA  irá apagar-se será possível abrir a porta. Abrir a porta, retirar a roupa e desligar a máquina.

! Se desejar anular um ciclo já iniciado, carregue por alguns segundos na tecla . O ciclo será interrompido e a máquina irá desligar-se.

Programas e opções

PT

Tabela dos programas

Programas	Descrição do Programa	Temp. max. (°C)	Velocidade max. (rotações por minuto)	Detergentes e aditivos				Carga max. (Kg)	Humidade residual %	Consumo de energia kWh	Água total lt	Duração ciclo
				Pré-lavagem	Lavagem	Água de Javel	Amaciador					
1	Antimancha	40°	1200	-	-	●	●	6	-	-	-	190'
2	Branco	60°	1200	-	-	●	●	6	-	-	-	190'
3	Algodão Pré-lavagem: peças brancas extremamente sujas.	90°	1200	●	-	●	●	9	53	2,01	101	205'
4	Algodão (1): brancos e coloridos resistentes muito sujos.	60° (Max. 90°)	1200	-	●	●	●	9	53	1,11	79	175'
5	Algodão (2-3): brancos e coloridos delicados pouco sujos.	40°	1200	-	●	●	●	9	53	0,85	82	170'
6	Sintéticos Resistentes: coloridos resistentes muito sujos.	60°	800	-	●	●	●	5	48	1,00	57	115'
6	Sintéticos Resistentes (4): coloridos resistentes muito sujos.	40°	800	-	●	●	●	5	48	0,64	55	95'
7	Anti-alérgico	60°	1200	-	●	●	●	6	-	-	-	205'
8	Bebé	40°	1000	-	●	●	●	6	-	-	-	155'
9	Lã: para lã, cashmere, etc.	40°	800	-	-	●	●	2,5	-	-	-	100'
10	Ultradelicado	30°	0	-	-	●	●	1	-	-	-	80'
11	Rápido 60': para refrescar rapidamente roupas sujas (não é indicado para lã, seda e roupas que deve ser lavadas à mão).	60°	1200	-	-	●	●	4	53	0,55	57	60'
12	Algodão	água fria	1200	-	-	●	●	9	53	0,19	85	95'
13	Sintéticos	água fria	800	-	-	●	●	3,5	46	0,10	65	75'
14	Rápido 30'	água fria	800	-	-	●	●	3,5	71	0,05	44	30'
	Enxaguamentos	-	1200	-	-	-	●	9	-	-	-	36'
	Centrifugação e Descarga	-	1200	-	-	-	-	9	-	-	-	16'

A duração do ciclo indicada no visor ou no manual é uma estimativa calculada com base nas condições padrão. O tempo efectivo poderá variar a depender de vários factores, tais como a temperatura e a pressão da água em entrada, a temperatura ambiental, a quantidade de detergente, a quantidade e o tipo de carga, o balanceamento da carga e as opções adicionais seleccionadas.

Para todos Test Institutes:

1) Programa de controlo segundo a directiva 1061/2010: configurar o programa 4 com uma temperatura de 60°C.

Este ciclo é adaptado para lavar uma carga de algodão normalmente suja e é o mais eficiente em termos de consumo combinado de energia e de água, para lavar a 60°C. A temperatura efectiva de lavagem pode ser diferente daquela indicada.

2) Programa de controlo segundo a directiva 1061/2010: configurar o programa 5 com uma temperatura de 40°C.

Este ciclo é adaptado para lavar uma carga de algodão normalmente suja e é o mais eficiente em termos de consumo combinado de energia e de água, para lavar a 40°C. A temperatura efectiva de lavagem pode ser diferente daquela indicada.

3) Programa longo para algodão: configurar o programa 5 com uma temperatura de 40°C.

4) Programa longo para sintético: configurar o programa 6 com uma temperatura de 40°C.

Opções de Lavagem



Enxaguamento Extra

Seleccionando esta opção aumenta-se a eficácia da enxaguamento, e garante-se a máxima remoção do detergente. É útil para quem tem a pele particularmente sensível.

! Não pode ser activada nos programas 7, 10, 14, .

Rápido

Seleccionando esta opção, diminui de até 50% a duração do programa, conforme o ciclo escolhido, garantindo ao mesmo tempo uma economia de água e energia eléctrica. Use este ciclo apenas para roupas não excessivamente sujas.

! Não pode ser activada nos programas 1, 2, 7, 8, 9, 10, 11, 12, 13, 14, , .

Detergentes e roupa

PT

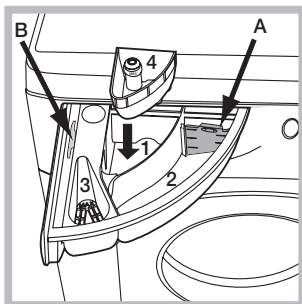
Gaveta dos detergentes

O bom resultado da lavagem depende também do emprego da dose certa de detergente: com excessos não se lava de maneira mais eficaz, mas contribui-se para formar crostas nas peças internas da máquina de lavar roupa e poluir o meio ambiente.

! Usar detergentes em pó para roupas de algodão brancas e para a pré-lavagem e para lavagens com temperatura superior aos 60°C.

! Seguir as indicações fornecidas pelo produtor na embalagem do detergente.

! Não use detergentes para lavagem à mão, porque formam demasiada espuma.



Tire a gaveta dos detergentes e deite o detergente ou o aditivo da seguinte maneira:

Gaveta 1: Detergente para pré-lavagem (em pó)

Antes de deitar detergente verifique se está colocada a gaveta adicional 4.

Gaveta 2: Detergente para lavagem (em pó ou líquido)

No caso do uso de detergente líquido, aconselha-se usar o recipiente **A** fornecido com o aparelho para uma correcta dosagem. Para o uso do detergente em pó, coloque o recipiente na cavidade **B**.

Gaveta 3: Aditivos (para amaciar etc.)

O aditivo para amaciar não deve ultrapassar a grade.

gaveta adicional 4: Água de Javel

Preparar a roupa

- Divida a roupa em função:
 - do tipo de tecido / do símbolo na etiqueta.
 - as cores: separe as peças coloridas das brancas.
- Esvazie as algibeiras e verifique se há botões soltos.
- Não ultrapasse os valores indicados que se referem ao peso da roupa enxuta:
 - Tecidos resistentes: máx. 9 kg.
 - Tecidos sintéticos: máx. 5 kg.
 - Lã: máx. 2,5 kg.
 - Seda: máx. 2,5 kg.

Quanto pesa a roupa?

- 1 lençol 400 - 500 g.
- 1 fronha 150 - 200 g.
- 1 toalha de mesa 400 - 500 g.
- 1 roupão 900 - 1.200 g.
- 1 toalha de rosto 150 - 250 g.

Programas especiais

Antimanchas: o programa **1** é adequado à lavagem de peças muito sujas com cores resistentes. O programa garante uma classe de lavagem superior à classe padrão (classe A). Não misture roupas de cor diferente com este programa. Aconselhamos a utilização de detergente em pó. Para manchas resistentes recomenda-se pré-tratamento com aditivos específicos.

Branco: utilize o ciclo **2** para a lavagem de peças brancas. O programa foi estudado para preservar no tempo a luminosidade das peças brancas. Para obter melhores resultados, recomenda-se o uso de detergente em pó.

Anti-alérgico: utilizar o programa **7** para remover as principais causas de alergia, como pólen, ácaros, pelos de gato e cão.

Bebé: utilize o específico programa **8** para remover a sujidade típica das roupas das crianças e remover o excesso de detergente das roupas, evitando reacções alérgicas à pele delicada das crianças. Este ciclo foi estudado para reduzir as bactérias utilizando uma maior quantidade de água e optimizando o efeito de aditivos específicos higienizantes, acrescentados ao detergente.

Lã: o ciclo de lavagem "Lã" desta máquina de lavar roupa Hotpoint-Ariston foi testado e aprovado pela Woolmark Company para a lavagem de vestuário em lã classificado como "lavável à mão", desde que a lavagem seja executada de acordo com as instruções indicadas na etiqueta da peça e com as indicações fornecidas pelo produtor do electrodoméstico. Hotpoint-Ariston é a primeira marca de máquinas de lavar roupa a obter a certificação Woolmark Apparel Care - Platinum da Woolmark Company pelo seu desempenho de lavagem e consumo de água e energia. (M1135)



Ultradelicado: utilize o programa **10** para a lavagem de peças muito delicadas, que possuem aplicações como aplicações ou brilhantes.

Para a lavagem de peças de **seda** e **cortinas**, seleccionar o ciclo **10** e configurar o nível "Delicate" da opção . Recomenda-se virar do avesso as roupas antes de lavá-las e colocar as peças pequenas no saquinho específico para a lavagem das peças delicadas.

Para obter melhores resultados, recomenda-se o uso de detergente líquido para peças delicadas.

Programas Eco

Os programas Eco oferecem um bom desempenho de lavagem já nas baixas temperaturas, permitindo um menor gasto de energia eléctrica com benefícios para o meio ambiente e maior economia.

Os programas Eco (**12** Algodão, **13** Sintéticos e **14** Rápido 30') foram criados para vários tipos de tecido e para peças pouco sujas. Para garantir um resultado óptimo, recomendamos usar detergente líquido; aconselha-se pré-tratar os punhos, colarinhos e manchas.

Precauções e conselhos

! Esta máquina de lavar roupa foi projectada e fabricada em conformidade com os regulamentos internacionais de segurança. Estas advertências são fornecidas por razões de segurança e devem ser lidas com atenção.

Segurança geral

- Este aparelho foi projectado exclusivamente para um uso doméstico.
- O aparelho não deve ser utilizado por pessoas (incluindo crianças) com capacidades físicas, sensoriais ou mentais reduzidas ou sem experiência e conhecimentos, salvo se supervisionadas ou se tiverem recebido instruções sobre a utilização do dispositivo por parte de uma pessoa responsável pela sua segurança. As crianças devem ser mantidas sob vigilância para evitar que brinquem com a máquina.
- Não toque na máquina com os pés descalços nem com as mãos ou os pés molhados ou húmidos.
- Não puxe o cabo eléctrico para tirar a ficha da tomada, pegue a ficha mesmo.
- Não abra a gaveta dos detergentes enquanto a máquina estiver a funcionar.
- Não toque a água de descarga, que poderá chegar a temperaturas altas.
- Em nenhum caso force a porta para abri-la: poderá danificar o mecanismo de segurança que a protege contra aberturas acidentais.
- Se houver avarias, em nenhum caso mexa nos mecanismos internos para tentar reparar.
- Verifique sempre que criança não se aproximem da máquina a funcionar.
- Durante a lavagem a porta de vidro tende a aquecer-se.
- Se for preciso deslocá-la, são precisas pelo menos duas ou três pessoas, com a máxima atenção. Nunca sozinho porque a máquina é muito pesada.
- Antes de colocar a roupa controle que o tambor esteja vazio.

Sistema de balanceamento da carga

Antes de cada centrifugação, para evitar vibrações excessivas e para distribuir a carga em modo uniforme, o tambor efectua algumas rotações a uma velocidade levemente superior àquela de lavagem. Se no fim de repetidas tentativas a carga ainda não estiver correctamente balanceada, a máquina efectuará a centrifugação com uma velocidade inferior àquela prevista. No caso de um excessivo desequilíbrio, a máquina de lavar roupa efectuará a distribuição ao invés da centrifugação. Para favorecer uma melhor distribuição da carga e o seu correcto balanceamento, aconselha-se misturar peças grandes com peças pequenas.

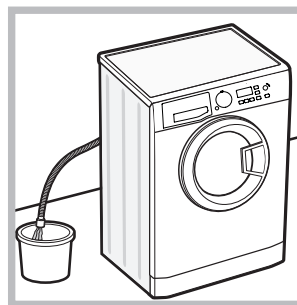
Eliminação

- Eliminação do material de embalagem: obedeça os regulamentos locais, de maneira que as embalagens possam ser reutilizadas.
- A directiva Europeia 2002/96/CE relativa aos resíduos de equipamentos eléctricos e electrónicos prevê

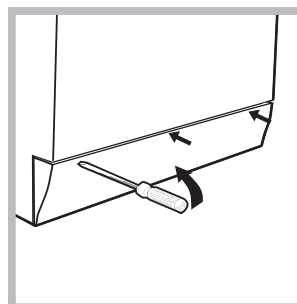
que os electrodomésticos não devem ser eliminados no normal fluxo dos resíduos sólidos urbanos. Os aparelhos que deixaram de ser utilizados devem ser recolhidos separadamente para otimizar a taxa de recuperação e reciclagem dos materiais que os compõem e impedir potenciais danos à saúde e ao meio ambiente. O símbolo do contentor de lixo barrado com uma cruz está presente em todos os produtos para lembrar o dever de recolha selectiva. Para mais informações sobre o correcto desmantelamento dos electrodomésticos, contacte o serviço público especializado ou os revendedores.

Abertura manual da porta de vidro

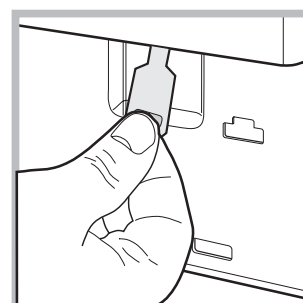
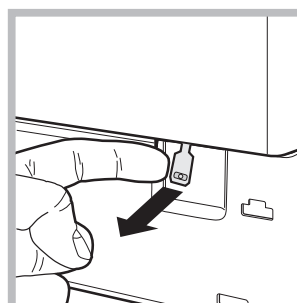
Caso não seja possível abrir a porta de vidro por falta de energia eléctrica e quiser pendurar a roupa lavada, proceda da seguinte maneira:



1. tire a ficha da tomada de corrente.
2. verifique que o nível de água no interior da máquina seja inferior respeito à abertura da porta de vidro; caso contrário, tirar a água em excesso através do tubo de descarga recolhendo-a num balde como indicado na figura.



3. tire o painel de cobertura da parte dianteira da máquina de lavar roupa com ajuda de uma chave de fendas(veja a figura).



4. utilizando a lingueta indicada na figura, puxe para o exterior até liberar o tirante de plástico do fecho; puxá-lo sucessivamente para baixo e contemporaneamente abrir a porta.
5. monte outra vez o painel, certifique-se, antes de empurrá-la na máquina, que os ganchos foram colocados nas respectivas ranhuras.

Manutenção e cuidados

PT

Interromper a alimentação de água e de corrente eléctrica

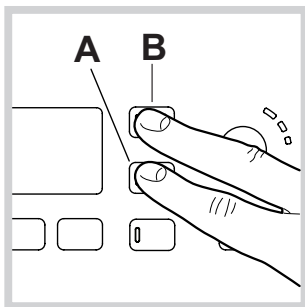
- Feche a torneira da água depois de cada lavagem. Desta maneira diminuiu-se o desgaste do sistema hidráulico da máquina de lavar roupa e elimina-se o risco de inundação.
- Tire a ficha da tomada eléctrica quando for limpar a máquina de lavar roupa e durante os trabalhos de manutenção.

Limpar a máquina de lavar roupa

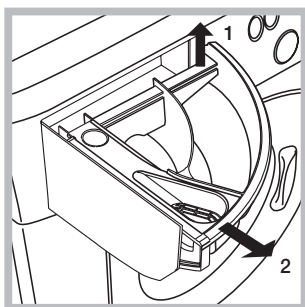
- A parte externa e as peças em borracha podem ser limpas com um pano molhado com água morna e sabão. Não empregue solventes nem abrasivos.
- A máquina de lavar roupa dispõe de um programa de "Auto Limpeza" das suas partes internas que deve ser efectuado sem carga alguma dentro do tambor. O detergente (na quantidade equivalente ao 10% daquela recomendada para peças pouco sujas) ou aditivos específicos para a limpeza da máquina de lavar roupa, poderão ser utilizados como coadjuvantes no programa de lavagem. Recomenda-se efectuar o programa de limpeza a cada 40 ciclos de lavagem.

Para activar o programa, pressione contemporaneamente as teclas **A** e **B** por 5 segundos (ver figura).

O programa iniciará automaticamente e terá uma duração de aproximadamente 70 minutos. Para terminar o ciclo, carregue no botão START/PAUSE button.



Limpar a gaveta dos detergentes



Para tirar a gaveta, erga-a e puxe-a para fora (veja a figura).

Lave-a com água corrente; esta limpeza deve ser efectuada frequentemente.

Cuidados com a porta de vidro e o tambor

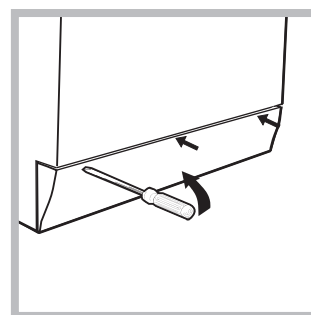
- Deixe a porta sempre entreaberta para evitar que se formem odores desagradáveis.

Limpar a bomba

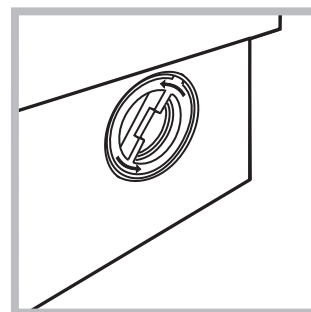
Esta máquina de lavar roupa é equipada com uma bomba com limpeza automática que não precisa de operações de manutenção. Entretanto pode acontecer que pequenos objectos (moedinhas, botões) caiam na pré-câmara que protege a bomba, situada na parte inferior da mesma.

! Certifique-se que o ciclo de lavagem tenha terminado e tire a ficha da tomada.

Para obter acesso à pré-câmara:



1. remova o painel de cobertura no lado anterior da máquina empurrando para o centro, em seguida empurre para baixo de ambos os lados e remova-o (veja as figuras).



2. desenrosque a tampa girando-a no sentido anti-horário (veja a figura). é normal que perca um pouco de água;

3. limpe o interior com cuidado;
4. enrosque outra vez a tampa;
5. monte outra vez o painel, certifique-se, antes de empurrá-la na máquina, que os ganchos foram colocados nas respectivas ranhuras.

Verificar o tubo de alimentação de água

Verifique o tubo de alimentação pelo menos uma vez por ano. Se houver rachaduras ou fendas, será necessário substituí-lo: durante as lavagens as fortes pressões podem provocar repentinas quebras.

! Nunca utilize tubos já usados.

1. tire o painel de cobertura da parte dianteira da máquina de lavar roupa com ajuda de uma chave de fendas (veja a figura);

Anomalias e soluções

Pode acontecer que a máquina de lavar roupa não funcione. Antes de telefonar para a Assistência Técnica (*veja "Assistência"*), verifique se não se trata de um problema fácil de resolver com ajuda da seguinte lista.

Anomalias:

Possíveis causas / Solução:

A máquina de lavar roupa não liga.

- A ficha não está colocada na tomada eléctrica, ou não é suficiente para haver contacto.
- Em casa não há corrente.

O ciclo de lavagem não inicia.

- A porta de vidro não está bem fechada.
- O botão ON/OFF não foi pressionado.
- O botão START/PAUSE não foi pressionado.
- A torneira da água não está aberta.
- Foi programado um atraso de uma hora no início.

A máquina de lavar roupa não carrega água (no visor é visualizada a palavra "H2O" intermitente).

- O tubo de alimentação de água não está ligado na torneira.
- O tubo está dobrado.
- A torneira da água não está aberta.
- Está a faltar água em casa.
- Não há suficiente pressão.
- O botão START/PAUSE não foi pressionado.

A máquina de lavar roupa carrega e descarrega água continuamente.

- O tubo de descarga não está instalado entre 65 e 100 cm de altura do chão (*veja "Instalação"*).
- A ponta do tubo de descarga está imersa na água (*veja "Instalação"*).
- Da descarga na parede não foi sangrado o ar.

Se depois destas verificações o problema não for resolvido, feche a torneira da água, desligue a máquina de lavar roupa e chame a assistência técnica. Se a morada encontrar-se nos últimos andares de um edifício, é possível que aconteçam fenómenos de sifão por causa dos quais a máquina de lavar roupa carrega e descarrega água continuamente. Para eliminar este inconveniente, há a disposição no comércio apropriadas válvulas contra o efeito sifão.

A máquina de lavar roupa não descarrega ou nem realiza centrifugação.

- No programa não há descarga: com alguns programas será necessário iniciar a descarga manualmente..
- O tubo de descarga está dobrado (*veja "Instalação"*).
- A conduta de descarga está entupida.

A máquina de lavar roupa vibra muito durante a centrifugação.

- O tambor, no momento da instalação, não foi liberado correctamente (*veja "Instalação"*).
- A máquina não está nivelada (*veja "Instalação"*).
- A máquina está apertada entre móveis e parede (*veja "Instalação"*).

Da máquina de lavar roupa está a vazar água.

- O tubo de alimentação da água não está bem enroscado (*veja "Instalação"*).
- O gaveta dos detergentes está entupida (para limpá-la *veja "Manutenção e cuidados"*).
- O tubo de descarga não está fixado correctamente (*veja "Instalação"*).

Irão piscar os indicadores luminosos das "Opções" e o indicador de START/PAUSE e o visor irá indicar um código de anomalia (por ex.: F-01, F-..).

- Desligue a máquina e tire a ficha da tomada, aguarde aproximadamente 1 minuto e volte a ligá-la.
Se a anomalia persistir, contacte a Assistência Técnica.

Está a formar-se demasiada espuma.

- O detergente não é específico para máquina de lavar roupa (deve haver a escrita "para máquina de lavar", "à mão e para máquina de lavar" ou similares).
- A dose foi excessiva.

PT

Antes de contactar a Assistência Técnica:

- Verifique se consegue resolver a anomalia sozinho (*veja "Anomalias e soluções"*);
- Reinicie o programa para verificar se o inconveniente foi resolvido;
- Em caso negativo, contacte um Centro de Assistência Técnica.

! Nunca recorra a técnicos não autorizados.

Comunique:

- o tipo de anomalia;
- o modelo da máquina (Mod.);
- o número de série (S/N)

Estas informações encontram-se na placa colocada na parte traseira da máquina de lavar roupa e na parte anterior abrindo a porta de vidro.