


TUMBLE DRYER

EN**English, 1****FR****Français, 17****DE****Deutsch, 33****NL****Nederlands, 49****EDCE G45 B H****www.indesit.com**

 This symbol reminds you to read this instruction manual.

! Keep this manual at hand for immediate reference whenever necessary. Always store this manual close to the tumble dryer and remember to pass it on to any new owners when selling or transferring the appliance, so they may familiarise with the warnings and suggestions herein contained.

! Read these instructions carefully: the following pages contain important information on installation and useful suggestions for operating the appliance.

Contents

Installation, 2

Where to install the tumble dryer
Ventilation
Electrical connections
Preliminary information

Warnings, 4

General safety
Saving energy and respecting the environment

Care and maintenance, 6

Disconnecting the power supply
Cleaning the filter after each cycle
Checking the drum after each cycle
Emptying the water container after each cycle
Cleaning the condenser unit
Cleaning the tumble dryer

Description of the tumble dryer, 8

Features
Control panel

How to carry out a drying cycle, 10

Starting and selecting a programme

Programmes and options, 11

Programme chart
Special/Sport/Partial Programmes
Options
Opening the door

Laundry, 14

Sorting laundry
Care labels
Drying times

Troubleshooting, 15

Assistance, 16

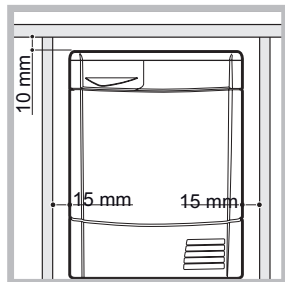
Spare parts
Essential Contact Information
Information on recycling and disposal

Installation

EN

Where to install the tumble dryer

- Install the dryer far from gas ranges, stoves, radiators or hobs, as flames may damage it. If the dryer is installed below a worktop, ensure there are 10 mm between the upper panel of the dryer and any objects above it, and 15 mm between the sides of the machine and the walls or furniture units adjacent to it. This ensures adequate air circulation. The appliance must be installed with the rear surface placed against a wall.



Ventilation

- The room must be adequately ventilated while the dryer is running. Make sure that the dryer is installed in a room free of humidity and with adequate air circulation. The flow of air around the dryer is essential to allow water to condense during drying; the dryer will not function properly if it is placed in an enclosed space or inside a cabinet.

! Some condensation may form if the dryer is used in a small or cold room.

! We do not recommend that the dryer is installed in a cupboard but the dryer must never be installed behind a lockable door, a sliding door or a door with a hinge on the opposite side to that of the dryer door.

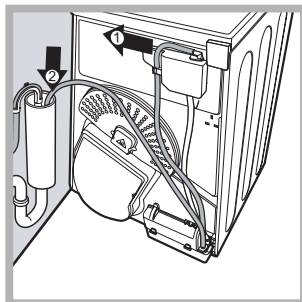
Water drain

If your dryer is installed next to a drain the water can be plumbed into this drain. This does away with the need to empty the water container. If the dryer is stacked onto or installed next to a washing machine it can share the same drain. The height of the drain must be less than 3' (1 m) from the bottom of the dryer.

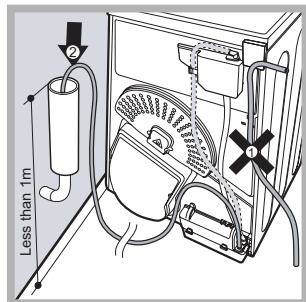
Remove existing hose from position shown in picture A and fit a suitable length of hose and connect as shown in picture B.

! The drain tube has to be below 1 m from the bottom of the Dryer

! Make sure that the hose is not squashed or kinked when the dryer is in its final location.



Picture A



Picture B

Electrical connections

Before plugging the appliance into the socket, check the following:

- Make sure your hands are dry.
- The socket must have an earth connection.
- The socket must be able to withstand the machine's maximum power output as indicated on the rating plate (see *Description of the tumble dryer*)
- The power supply voltage must fall within the values indicated on the data plate (see *Description of the tumble dryer*).
- The socket must be compatible with the dryer's plug. Should this not be the case, replace the plug or the socket.

! DO NOT USE EXTENSION CORDS.

! The dryer must not be installed outdoors, even if the space is sheltered. It can be very dangerous if exposed to rain or storms.

! Once installed, the dryer's electrical wire and plug must be within reach.

! The power cord must not be bent or squashed.

! If the plug being replaced is a non-rewirable type, then the cut-off plug must be disposed of safely. DO NOT leave it where it can be inserted into a socket and create a shock hazard.

! The power must be regularly checked. If the supply cord is damaged, it must be replaced by the manufacturer, its service agent or similarly qualified persons in order to avoid a hazard. (see *Assistance*). New or longer electric cords are supplied by authorised dealers at a supplementary cost.

! The manufacturer denies any responsibility should any of these rules not be followed.

! If in doubt about any of the above consult a qualified electrician.

Preliminary information

Once the tumble dryer is installed, clean the inside of the drum before operating it and remove any dirt accumulated during transportation.

Maximum load sizes: maximum 8 kg

EN


Product Data - Regulation 392/2012.	
Brand	Indesit
Model	EDCE G45 B H (EU)
Rated capacity of cotton laundry for the "standard cotton programme" at full load - kg	8.0
This household tumble drier is a	Condenser
Energy efficiency class on a scale from A+++ (low consumption) to D (high consumption)	B
The weighted Annual Energy Consumption (AEc)* - kWh 1)	560.0
This household tumble drier is a	Automatic
Energy consumption full load; Edry - kWh 2)	4.77
Energy consumption partial load; Edry ^{1/2} - kWh 2)	2.53
Power consumption: off-mode (Po) - Watts	0.14
Power consumption: left-on mode (Pl) - Watts	2.39
Duration of the 'left-on mode' for power management system - minutes	30
Prog. Time - weighted (Tt) full & partial load - minutes 3)	104
Full load (Tdry) - minutes	139
Partial load (Tdry ^{1/2}) - minutes	78
Condensation efficiency class on a scale from G (least efficient) to A (most efficient)	B
Average condensation efficiency - %	
weighted (Ct) full & partial load 3)	81
full load (Cdry)	82
partial load (Cdry ^{1/2})	80
Airborne acoustical noise emissions - dB(A) re 1 pW	68.0
1) "Standard cotton" at full and partial load is the standard programme to which the information in the label and the fiche relates. The standard cotton program is suitable to dry at cupboard level (0%) cotton laundry and is the most efficient programme in terms of energy consumption. Partial load is half the rated load.	
2) based on 160 drying cycles of the standard cotton programme at full and partial load, and the consumption of the low-power modes. Actual energy consumption will depend on how the appliance is used.	
3) Weighted average of 3 cycles at full load and 4 cycles at half load.	
Regulation 932/2012.	
Energy consumption in kWh, for program "Synthetics" full load	1.41
Programme time in minute, for program "Synthetics" full load	65
Partial load for program "Synthetics" N/A	

Warnings

EN

! This appliance has been designed and built according to international safety standards. These warnings are given for safety reasons and must be followed carefully.

General safety

- This appliance can be used by children aged from 8 years and above and persons with reduced physical, sensory or mental capabilities or lack of experience and knowledge if they have been given supervision or instruction concerning use of the appliance in a safe way and understand the hazards involved.
- This tumble dryer has been designed for home, and not professional, use.
- Do not touch the appliance while barefoot or with wet hands or feet.
- Unplug the machine by pulling on the plug, not the cord.
- After using the dryer, turn it off and unplug it. Keep the door closed to make sure that children do not use it as a toy.
- Children should be supervised to ensure that they do not play with the dryer.
- Cleaning and user maintenance shall not be made by children without supervision.
- Children of less than 3 years should be kept away from the appliance unless continuously supervised.
- The appliance must be installed correctly and have proper ventilation. The air intake at the front of the dryer should never be obstructed (see *Installation*).
- Never use the dryer on carpeting where the pile height would prevent air from entering the dryer from the base.
- Check to see if the dryer is empty before loading it.
- The back of the dryer could become very hot.
Never touch it while in use.
- Do not use the dryer unless the filter, water container and condenser are securely in place (see *Maintenance*).
-  Do not overload the dryer (see *Laundry* for maximum loads).
- Do not load items that are dripping wet.
- Carefully check all instructions on clothing labels (see *Laundry*).
- Do not tumble dry large, very bulky items.
- Do not tumble dry acrylic fibres at high

temperatures.

- Do not turn off the dryer when there are still warm items inside.
- Clean the filter after each use (see *Maintenance*).
- Empty the water container after each use (see *Maintenance*).
- Clean the condenser unit at regular intervals (see *Maintenance*).
- Do not allow lint to collect around the dryer.
- Never climb on top of the dryer. It could result in damage.
- Always follow electrical standards and requirements (see *Installation*).
- Always buy original spare parts and accessories (see *Service*).

To minimise the risk of fire in your tumble dryer, the following should be observed:

- Tumble dry items only if they have been washed with detergent and water, rinsed and been through the spin cycle. It is a fire hazard to dry items that HAVE NOT been washed with water.
- Do not dry garments that have been treated with chemical products.
- Do not tumble dry items that have been spotted or soaked with vegetable or cooking oils, this constitutes a fire hazard. Oil-affected items can ignite spontaneously, especially when exposed to heat sources such as a tumble dryer. The items become warm, causing an oxidation reaction with the oil, Oxidation creates heat. If the heat cannot escape, items can become hot enough to catch fire. Piling, stacking or storing oil-affected items can prevent heat from escaping and so create a fire hazard. If it is unavoidable that fabrics containing vegetable or cooking oil or those that have been contaminated with hair care products be placed in a tumble dryer they should first be washed with extra detergent - this will reduce, but not eliminate the hazard. They should not be removed from the dryer and piled or stacked while hot.
- Do not tumble dry items that have previously been cleaned in or washed in, soaked in or soiled with petrol/gasoline, dry cleaning solvents or other flammable or explosive substances. Highly flammable

substances commonly used in domestic environments including cooking oil, acetone, denatured alcohol, kerosene, spot removers, turpentine, waxes and wax removers. Ensure these items have been washed in hot water with an extra amount of detergent before being dried in the tumble dryer.

- Do not tumble dry items containing foam rubber (also known as latex foam), or similarly textured rubber like materials. Foam rubber materials can, when heated, produce fire by spontaneous combustion.
- Fabric softener or similar products should not be used in a tumble dryer to eliminate the effects of static electricity unless the practice is specifically recommended by the manufacturer of the fabric softener product.
- Do not tumble dry undergarments that contain metal reinforcements eg. bras with metal reinforcing wires. Damage to the tumble dryer can result if the metal reinforcements come loose during drying.
- Do not tumble dry rubber, plastic articles such as shower caps or babies waterproof covers, polythene or paper.
- Do not tumble dry rubber backed articles, clothes fitted with foam rubber pads, pillows, galoshes and rubber coated tennis shoes.
- Remove all objects from pockets such as lighters and matches.

! WARNING: Never stop the dryer before the end of the drying cycle unless all items are quickly removed and spread out so that the heat is dissipated.

Save energy and respect the environment

- Wring out all items to eliminate excess water before tumble drying (if you use a washing machine first, select a high spin cycle). Doing this will save time and energy during drying.
- Always dry full loads - you save energy: single items or small loads take longer to dry.
- Clean the filter after each use to contain energy consumption costs (see *Maintenance*).

Care and maintenance

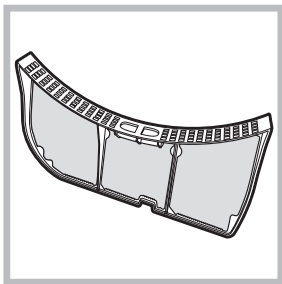
EN

Disconnecting the power supply

! Disconnect the dryer when not in use or during cleaning and maintenance operations.

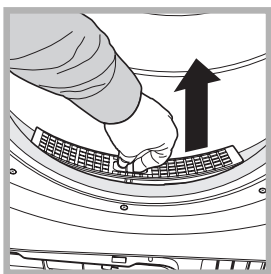
Cleaning the filter after each cycle

The filter is a fundamental component of the dryer: its function is to collect lint and fluff that form during drying.



Clean the filter once drying is completed, by rinsing it under running water or cleaning it with a vacuum cleaner. Should the filter become clogged, the flow of air inside the dryer will be

seriously hampered: drying times becomes longer and more energy is consumed. Moreover,



the dryer may become damaged.

The filter is located in front of the dryer seal (see *Picture*).

Removing the filter:

1. Pull the filter's plastic handle upwards (see

Picture).

2. Clean the fluff off the filter and replace it correctly. Ensure that the filter is pushed fully home.

! Do not use the dryer unless the filter has been replaced in its holder.

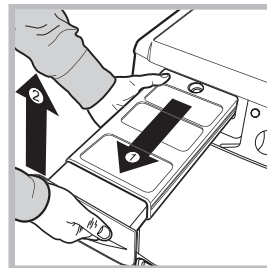
Checking the drum after each cycle

Rotate the drum manually to remove smaller items (handkerchiefs) that could have been left inside the dryer.

Cleaning the drum

! Avoid using abrasives, steel wool or stainless steel cleaning agents to clean the drum. A coloured film may appear on the stainless steel drum surface: it may be caused by a combination of water and/or cleaning agents such as wash-softeners. This coloured film does not affect the dryer's performance.

Emptying the water container after each cycle



Remove the water container and empty it into a sink or other suitable drain outlet, then replace it correctly. Always check the water container and empty it before starting a new drying cycle.

-Failure to empty the water container may cause the following:

- The dryer stops heating (thus the load may still be damp at the end of the drying cycle).
- The "Empty water container" LED activates to show that the water container is full.

Priming the Water Collection System

When your dryer is new, the Water Container will not collect Water until the system is primed, this will take 1 or 2 drying cycles. Once primed it will collect Water during every cycle.

Cleaning the condenser unit.

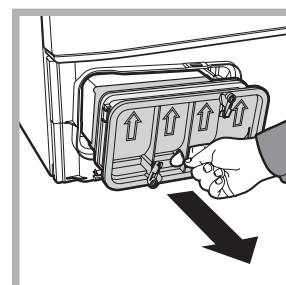
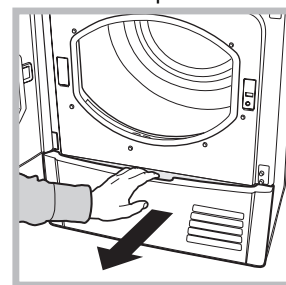
- Remove the condenser (see *Picture* below) unit regularly (monthly) and clean off any fluff deposits from the plates by rinsing it with cold water running on the rear end of the condenser.

Removing the condenser:

1. Disconnect the dryer from the power supply and open the door.

2. Open the condenser cover (see *Picture* below), unlock the three catches by turning them 90° anti-clockwise, then pull on the grip to remove the condenser.

3. Clean the surface of the seals and replace the unit with the arrows pointing upwards, while making sure that the catches are securely fixed.



Cleaning the tumble dryer

- The external metal, plastic and rubber parts can be cleaned with a damp cloth.
- Clean the front air intake grille regularly (every 6 months) with a vacuum cleaner to remove any lint, fluff or dust deposits. Furthermore, remove any lint deposits from the front part of the condenser and from the filter area, using a vacuum cleaner every so often.

! Do not use solvents or abrasives.

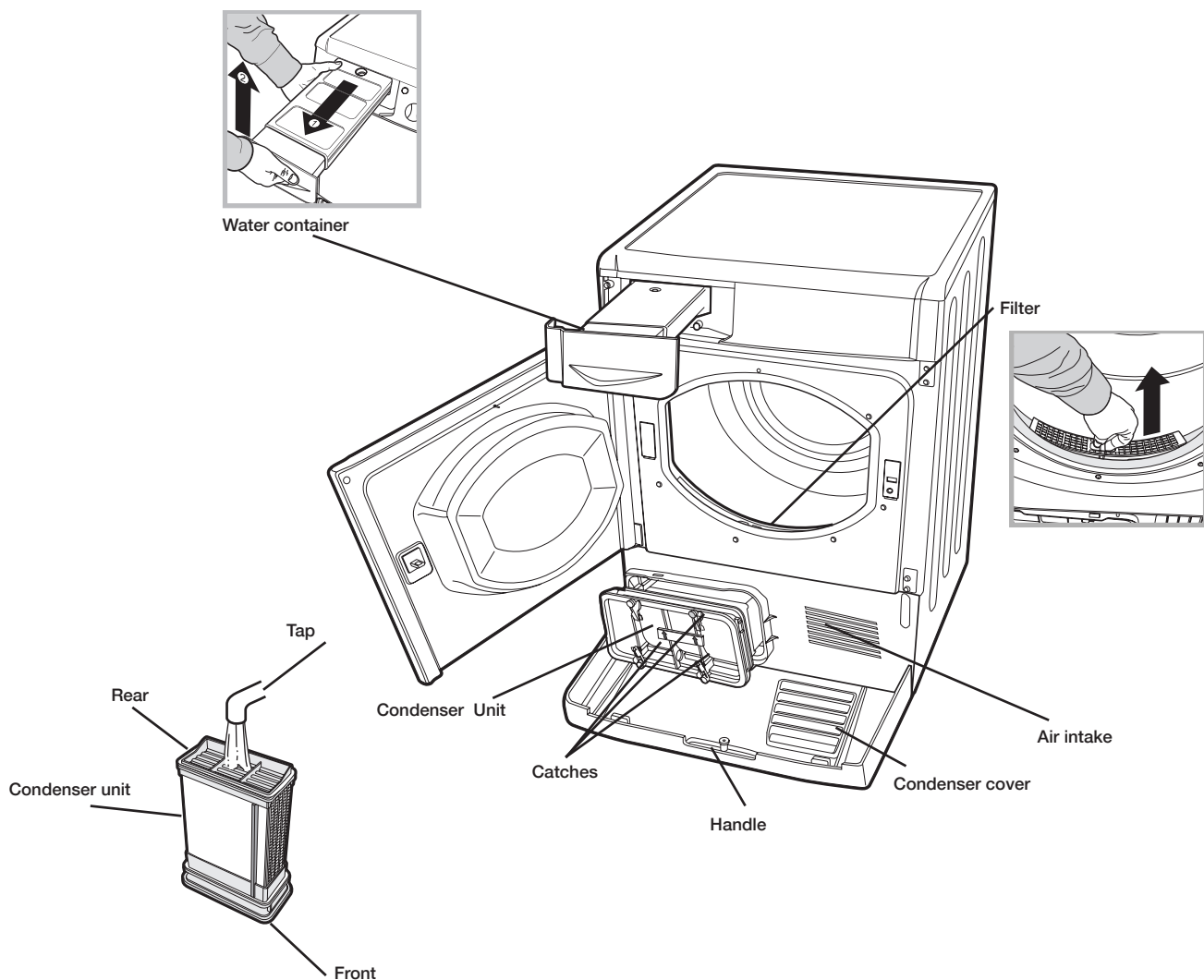
! Have the dryer checked regularly by authorised technical personnel in order to ensure that the electrical and mechanical parts work safely (see Assistance).

Quick Tips

! Remember to clean your filter and Condenser unit after each load.

! Remember to empty your water container after each load.

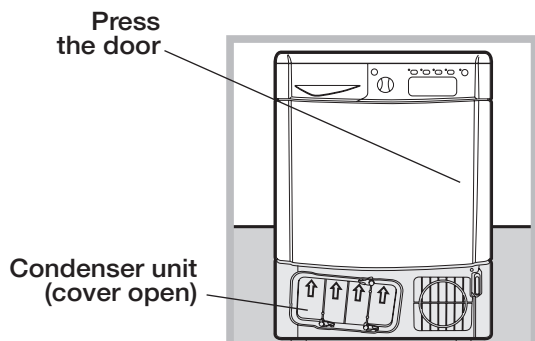
! Doing this will keep your machine working at its BEST!



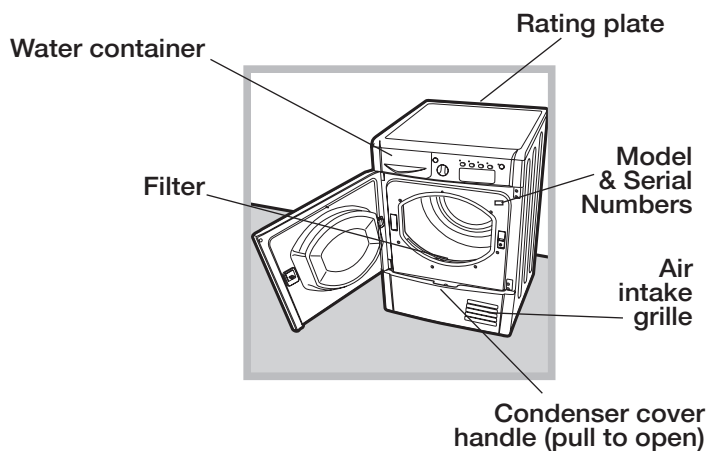
Description of the tumble dryer

EN

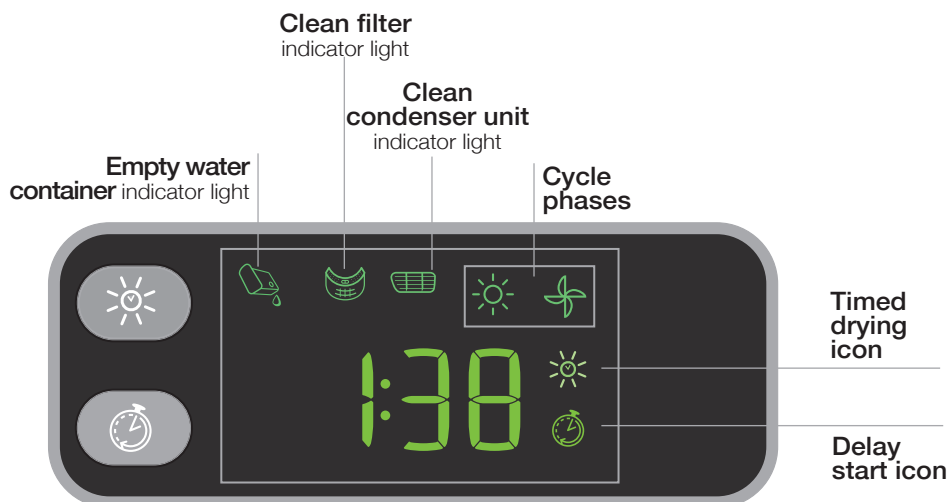
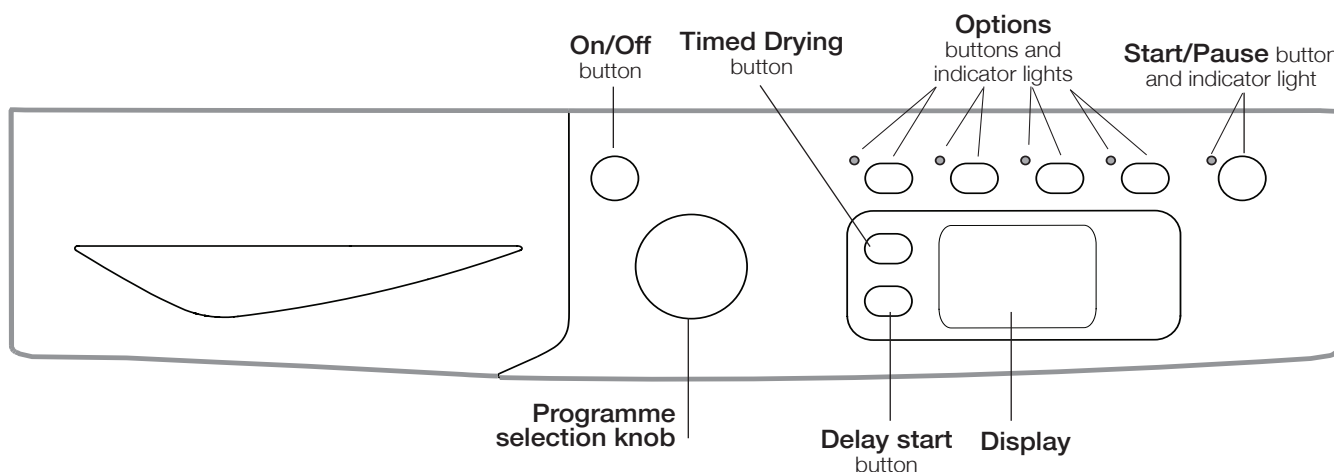
Opening the door



Features



Control panel



ON/OFF/Reset button

Pressing the button normally will cause the machine to switch on or off. If the button is pressed for 3 seconds while the dryer is in use, the machine will switch off and the running cycle will reset.

Programme selection knob

Allows for setting the programme: turn until the indicator points towards the desired programme (see *Starting and selecting a programme*).

Options buttons

Allows selection of the options available for the selected programme. The respective indicator lights turn on when the option has been selected (see *Programmes and options*).

START/PAUSE button and indicator light

When the green light flashes slowly, press the button to start the programme. When the cycle is under way, the indicator light remains on. Press the button again to put the programme in the pause mode; the indicator light turns orange and starts flashing again. Press the button again to resume the programme from the point it was interrupted (see *Starting and selecting a programme*).

Display

In section **A**, the selected “Timed drying” value is displayed; if the “Delay start” function was set, the time remaining to the start of the selected programme will appear.

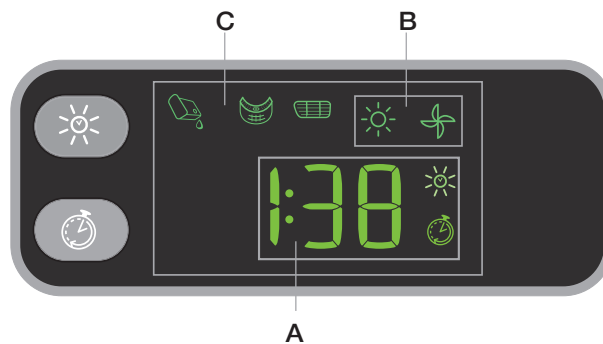
The duration of the selected programme is also displayed in this section.

In section **B**, the phase of the running programme is displayed:

Sun icon ☀️: Drying cycle

Fan icon 🌀: COOL TUMBLE cycle

In section **C**, the maintenance indicator lights are displayed (Empty water container indicator light 🗑️, Clean filter indicator light 🌀, Clean condenser unit indicator light 📦, see *Indicator lights*).



Indicator lights

The indicator lights provide important information. They indicate the following:

The “Empty water container” indicator light 🗑️ signals that the water container must be emptied.

If the water container fills during the course of the programme, the LED lights up. The dryer automatically starts a cool air cycle and the START/PAUSE LED flashes orange. Press the START/PAUSE button to resume the cycle from the point it was interrupted.

In order to avoid this procedure, always empty the water container after using the tumble dryer (see *Maintenance*).


Before each programme, the “Clean filter” indicator light 🌀 signals the fundamental importance of cleaning the filter before each load (see *Maintenance*).

The “Clean condenser unit” indicator light 📦 signals the fundamental importance of cleaning the condenser regularly (see *Maintenance*).

How to carry out a drying cycle

EN

Starting and selecting a programme

1. Plug the dryer into the power supply socket.
 2. Select the programme according to the type of laundry (see *Laundry*).
 3. Open the door, ensure that the filter is clean and securely placed and that the water container is empty and correctly slotted (see *Maintenance*).
 4. Load the machine, making sure that no piece of laundry gets between the door and the relative seal. Close the door.
 5. Press the ON/OFF button to switch on the machine.
 6. After consulting the programme chart and the indications for each type of fabric (see *Laundry*), turn the Programme selection knob towards the programme corresponding to the type of laundry to be dried (see *Programmes and options*).
! Warning: If the position of the programme selection knob changes after pressing the START/PAUSE button, the selected programme will NOT be modified. To modify the programme, press the START/PAUSE button to put the programme in pause mode (the indicator light flashes orange), then select a new programme and the relative options. Press the START/PAUSE button to start the new programme.
 7. Select the "Timed Drying" function by pressing the timed drying button until the required time is displayed (see *Programmes and options*).
 8. If necessary, set the time of the delayed start and any other options (see *Programmes and options*).
 9. Press the ALARM  button to sound a buzzer signalling the end of the programme.
 10. Press the START/PAUSE button to start the drying cycle. The display will show the approximate time remaining. Laundry can be checked while the drying programme runs and any garments already dry can be removed, while drying continues for the remaining items. After closing the door, press the START/PAUSE button to resume machine operation.
 11. The final COOL TUMBLE phase (i.e. the fabrics are cooled) activates during the last few minutes of the drying programme; always allow this phase to terminate.
 12. At the end of the drying cycle the display shows END.
The buzzer will beep 3 times to let you know that your programme is complete. (Note: If the SOUND option was selected the buzzer beeps 3 times every 30 seconds for 5 minutes).
Open the door, remove the laundry then clean the filter and replace it. Empty the water container and put it back in its slot (see *Maintenance*).
- If the clothes are not removed at the end of the cycle the automatic **Anti Crease** action will, on those programmes with this feature, continue to rotate the drum intermittently for up to 10 hours to minimise creasing. Opening the door or pressing the OFF button will stop the **Anti Crease** action.
13. Disconnect the dryer from the power supply.

Automatic pre-post Anti Crease

This is an automatic function which provides an anti crease treatment both before and after the drying programme. By periodically rotating the drum before the start of the drying cycle, when a delayed start is selected, the formation of creases is prevented. On certain programmes the drum also rotates periodically at the end of the drying cycle on. This post crease care action continues until either the door is opened or the **OFF** button is pressed.

Standby mode

This tumble dryer, in compliance with new energy saving regulations, is fitted with an automatic standby system which is enabled after about 30 minutes if no activity is detected. Press and hold the **ON/OFF** button until the dryer reactivates.

Programme chart

	Programme	Max. load (kg)	Compatible options	Cycle duration	
Fast & Easy					
1	Fast 35'	1	Memo - Key Lock- Delay Timer.	The duration of the drying cycles can be checked on the display ³ .	
2	Easy mix	3	Memo - Key Lock- Delay Timer.		
3	Less Creased	3	Memo - Key Lock.		
4	Cotton fast Iron	Max.	Extra Care - Memo - Key Lock- Time Dry - Delay Timer.		
5	Synthetic fast Iron	4	Memo - Key Lock- Time Dry - Delay Timer.		
Essentials					
6	Standard Cotton ²	Max.	Extra Care - Energy Saver ¹ - Memo - Key Lock- Time Dry - Delay Timer.		
7	Cotton ready to wear	Max.	Memo - Key Lock- Time Dry - Delay Timer.		
8	Synthetics	4	Energy Saver ¹ - Memo - Key Lock- Time Dry - Delay Timer.		
9	Jeans	3	Memo - Key Lock- Delay Timer.		
Special Care					
10	Baby&Delicates	2	Memo - Key Lock- Time Dry - Delay Timer.		
11	Wool	1	Memo - Key Lock.		
12	Duvet	1,5	Memo - Key Lock- Delay Timer.		
13	Gym kit	4	Memo - Key Lock- Delay Timer.		
14	Special Shoes	1 pair	Memo - Key Lock.		
Post Dry					
15	Crease Relax	-	Memo - Key Lock.		
16	Freshen UP	2,5	Memo - Key Lock.		

NOTES: 1 with this option the maximum load size is modified. Refer to the option description. 2 Standard Cotton is the most efficient program in terms of energy consumption (EU 392/2012). 3 The duration of these programs will depend on the size of the load, types of textiles, the spin speed used in your washer and any extra options selected.

Special/Sport/Partial Programmes

Fast 35'

This is a quick timed programme, ideal for drying garments spun at high speed in the washing machine, for example shirts used in a working week.

Easy Mix

This programme is ideal for drying cotton and synthetic fabrics together.

Less Creased

A cycle for synthetic and mixed textiles making lengthy ironing unnecessary.

Shake the pieces of clothing before introducing them into the dryer. Remove the pieces of clothing immediately at the end of the programme and hang them

Standard Cotton: Dries your items to a dryness level that allows you to put your clothes away straight from the dryer.

Cotton Ready to Wear: Dries your items to the maximum possible dryness level. Even drier than Standard Cotton.

Jeans

This is a programme for jeans made from denim cotton. Before drying your jeans turn the front pockets inside out.

Do not mix dark and light coloured items.

It can also be used on other garments made from the same material, such as jackets.


Loads dried using this programme are usually ready to wear, the edges or seams may be slightly damp. If this is the case, try turning the jeans inside out and running the programme again for a short period.

! We do not recommend that you use this programme if your jeans have elastic waist bands, studs or embroidery.

Baby&Delicates

A programme appropriately designed to dry clothing and linen of new-born babies (cotton and chenille) and delicate clothes. Do not dry articles which have plastic covering.

Wool Programme

This programme is specific for items that withstand tumble drying and are labelled with the  symbol. It is suitable for loads of up to **1 kg** (about 3 jerseys). We recommend turning the garments inside out before drying them. Garments dried with this programme are usually ready to be worn, although the edges of heavier garments may be slightly damp. Leave them to dry naturally, as an additional drying process may damage them.

Unlike other materials, the shrinking process in wool is irreversible, i.e. the garment does not resume its original dimension and shape. This programme is not suited for acrylic items.

Duvet

A cycle intended to dry down jackets, giving their natural softness back (2 jackets).

Gym Kit

A cycle designed to dry complete gym kits for all the family (shorts, top, t-shirts and towels).

Special Shoes Programme

This programme is specific for drying sports shoes. The shoes must have been previously washed and spun at a minimum spin speed of **400 revolutions**.

A specific shoe rack is provided and must be used, otherwise the dryer will be damaged if shoes are dried in the drum. Remove the filter from its holder on the front part of the dryer and position the shoe rack.

Place shoelaces inside the shoes then load with the tips of the shoes facing downwards and the soles frontwards.

Drying times vary according to the shape and type of the shoe. If the shoes are not completely dry at the end of the programme, restart the programme.

! Do not dry shoes that have gel or flashing lights inside them. Only dry shoes made of synthetic material or rope. Once the programme ends, remove the shoe rack and replace the filter into its holder.

Crease Relax

A short 10-minute programme that relaxes the garment's fibres in order to facilitate ironing and folding.

This programme is particularly recommended for cotton or mixed cotton fabrics.

For optimal results, do not overload the drum (the following values refer to the weight of dry garments):

Fabric: maximum load

Cotton and mixed cotton: **2.5 kg**

Synthetic garments: **2 kg**

Jeans: **2 kg**

Empty the dryer as soon as the programme ends; hang, fold or iron garments then place them in the wardrobe. If this is not possible, repeat the programme.

As this is not a drying programme, it is not to be used for garments that are still wet.

The effect produced by the programme varies according to the characteristics of the each fabric: fabrics such as acrylic fibres or Tencel® do not give the same results as traditional fibres (e.g. cotton).

Freshen Up

A short programme suitable for refreshing fibres and garments. It lasts about **20 minutes**.

! As this is not a drying programme, it is not to be used for garments that are still wet.

It can be used on any load size but is more effective on smaller loads.

Options

The options allow for customising the selected programme according to one's own needs.

Timed drying

After selecting a programme, press the "Timed drying" button to enter a drying time. Every time this button is pressed, the duration of the selected drying cycle appears on the display. When pressed the first time, the highest allowed value for the selected cycle appears on the display. When pressed each of the following times, the set time is reduced until **OFF** appears.

The buzzer will activate if the timed drying option is not available.

Delay Timer

The start of some programmes (see *Programmes and options*) may be delayed up to 24 hours. Before selecting a programme with a delayed start make sure that the water bottle is empty and the filter is clean. The drum will rotate occasionally before the drying programme starts to prevent the formation of creases.

Extra Care

This is a special option designed to gently dry delicate clothes.

Press this button to select the low temperature setting; the light next to the button will switch on. Activating this option will increase the duration of the cycles.

Energy Saver

An option designed to optimise the results when drying small loads (cotton loaded to a max. of 2 kgs. and synthetic load to a max. of 1 kg.) thereby minimising consumption and drying times.

Memo

This option allows you to store your cycle selection along with any associated options and to easily use a previously stored cycle. Delayed start options cannot be stored.

- Press and hold the button MEMO for 3 second to store a cycle. You can press this button when the desired cycle and associated options have been selected either before the cycle has started or during the drying cycle. When you press and hold the Memo button the LED flashes as well as the time on the display and after 3 second a beep will confirm that the details have been stored.
- To recall the stored cycle simply turn on the dryer, press the memo button and then start the cycle. It is possible to change any of the options in the normal way. Every 2 minutes the stored cycle number will appear on the display. If no cycle has been stored you will hear a beep when the Memo button is pressed.
- A stored programme can be overwritten with a new programme just by repeating the steps outlined above.

Key Lock

Keep this button pressed for a few seconds after choosing the programme and the desired options. When the warning light is on, the other buttons and the knob are deactivated. To deactivate the block keep the button pressed and the warning light goes off. The ON/OFF button switches off the machine even if the function lock button is active.

Not all options are available on all programmes (see *Programmes and options*).

Opening the door

If the door is opened (or the START/PAUSE button is pressed) while a programme is running, the dryer stops and the following may occur:

- The START/PAUSE button flashes orange.
- When a delayed start is running, the delay countdown continues. It is necessary to press the START/PAUSE button to resume the "Delay start" programme. The "Delay start" indicator light flashes and the display visualises the time remaining to the start of the selected programme.
- It is necessary to press the START/PAUSE button to resume the programme. The progress indicator lights signal the running phase and the START/PAUSE indicator light stops flashing and turns green.
- During the post anti-crease phase, the programme ends. Pressing the START/PAUSE button reactivates a new programme from the beginning.
- By turning the Programme selection knob, a new programme is selected and the START/PAUSE indicator light flashes green. This procedure can be used to select the COOL drying programme to cool garments if they are judged to be dry enough.

Press the START/PAUSE button to start the new programme.

Note: If you have a power cut, switch off the power or remove the plug. When power is restored, plug in the machine, press and hold the **ON/OFF** button until the dryer reactivates, then press Start/Pause button.

Laundry

EN

Sorting laundry

- Check the symbols on the care labels of the various garments to verify whether the garments can be safely tumble dried.
- Sort laundry according to the type of fabric.
- Empty all pockets and check for loose buttons.
- Close zips and hooks and fasten belts and strings without tightening them.
- Wring out garments to remove the maximum amount of water possible.

! Do not load the dryer when garments are dripping wet.

Maximum load sizes

Do not overload the drum.

The following values indicate the weight of dry garments:





Natural fibres: maximum 8 kg

Synthetic fibres: maximum 4 kg

! Do not overload the dryer as this may result in reduced drying performance.

Care labels

Always check the care labels, especially when placing garments in the tumble dryer for the first time. Below are the most commonly used symbols:

-  May be tumble dried.
-  Do not tumble dry.
-  Tumble dry – high heat.
-  Tumble dry – low heat.

Drying times

Drying times are approximate and may vary depending on the following:

- Amount of water retained by items after the spin cycle: towels and delicate items retain a lot of water.
- Fabrics: items of the same fabric, but with different texture and thickness may have different drying times.
- Amount of laundry: single items and small loads may take longer to dry.
- Drying: if items are to be ironed, they can be removed from the dryer while still slightly damp. Items that require complete drying can be left longer.
- Heat setting.
- Temperature of the room: the lower the temperature of the room, the longer it will take for the dryer to dry clothing.
- Bulk: certain bulky items require special care during the drying process. We suggest removing these items and replacing them in the dryer once they have been shaken out: repeat this procedure several times during the course of the drying cycle.

! Do not over-dry items.

All fabrics contain natural dampness which helps to keep them soft and fluffy.

The drying times provided refer to the automatic Cupboard dry programmes.

The Timed drying settings are also indicated to enable you to select the most suitable timed option.

The weight refers to dry items.

Automatic drying times

Cotton High Heat								
Drying times after 800-1000 rpm wash cycles								
	1 kg	2 kg	3 kg	4 kg	5 kg	6 kg	7 kg	8 kg
Automatic (hrs:mins)	0:30-0:40	0:40-0:55	0:55-1:10	1:10-1:20	1:20-1:30	1:35-2:00	2:00-2:20	2:10-2:40
Timed (hrs:mins)	0:30 or 1:00	0:40 or 1:20	0:50 or 1:20	1:00 or 1:40	1:20 or 2:00	2:00 or 2:40	2:20 or 3:00	2:40 or 3:00
Synthetics Low Heat								
Drying times after wash cycles at lower speeds								
	1 kg	2 kg	3 kg	4 kg				
Automatic (hrs:mins)	0:30 - 0:40	0:40 - 0:50	0:50 - 1:10	0:70 - 1:30				
Timed (hrs:mins)	0:30 or 1:00	0:40 or 1:20	1:00 or 1:30	1:20 or 1:40				
Acrylics Low Heat								
Drying times after wash cycles at lower speeds								
	1 kg			2 kg				
Automatic (hrs:mins)	0:40 - 1:20			1:00 - 1:40				
Timed (hrs:mins)	0:30			1:00				

If you feel that the dryer is not working properly, consult the following troubleshooting suggestions before contacting the Technical Assistance Centre (see *Assistance*).

The dryer does not start.

- The plug has not been inserted far enough into the socket to make contact.
- There has been a power cut.
- The fuse has blown. Try connecting another appliance to the same socket.
- If an extension cord is used, try connecting the dryer plug directly into the socket.
- The door has not been closed properly.
- The programme has not been set correctly (see *How to carry out a drying cycle*).
- The START/PAUSE button has not been pressed (see *How to carry out a drying cycle*).
- On machines equipped with “Locked” function, check the option is not enabled (see Programmes and options).

The drying cycle does not start.

- A delayed start time has been set (see *Programmes and options*).
- The START/PAUSE button has been pressed; a short delay follows before the dryer starts running. Wait for the drying cycle to start; do not press the START/PAUSE button otherwise the dryer switches to the pause mode and the drying cycle will not start.

Drying times are too long.

- The filter has not been cleaned (see *Maintenance*).
- The water container must be emptied? The “Empty water container” indicator light flashes and the message appears **“h2o”** (see *Maintenance*).
- The condenser needs to be cleaned (see *Maintenance*).
- The heat setting is not suited to the type of fabric to be dried (see *Programmes and options*).
- An incorrect drying time was selected for the type of load (see *Laundry*).
- The items are too wet (see *Laundry*).
- The air intake grille are clogged up (see *“Installation” and “Care and Maintenance”*).
- The dryer is overloaded (see *Laundry*).

The “Empty water container” indicator light flashes, but the dryer has been running for a short time.

- The water container was probably not emptied before starting the programme. Do not wait for the signal for emptying the water container, but always check and empty it before starting a new drying programme (see *Description of the tumble dryer*).

The “Empty water container” indicator light is on but the water container is not full.

- It is normal: the “Empty water container” indicator light flashes when the water container is full. If the indicator light is on but is not flashing, it is just a reminder to empty the container (see *Description of the tumble dryer*).

The programme is finished but the items are damper than expected.

- ! For safety reasons, the dryer programmes last a maximum of 5 hours. If an automatic programme has not detected the final dampness level required in this interval, the dryer completes the programme and stops. Check the above points and repeat the programme; if the items are still damp, contact the Technical Assistance Centre (see *Assistance*).

The code “F” appears on the display followed by one or two numbers, the options indicator lights and the pause indicator light flash.

- If the display shows a fault, switch the appliance off and unplug it, then clean the filter and the Heat Pump Filter unit (see *Maintenance*). Reinsert the plug, switch the appliance on and start another programme. If the display still visualises a fault, contact the Technical Assistance Centre (see *Assistance*). If the display still visualises other numbers, mark the code and contact the Technical Assistance Centre (see *Assistance*).

“dOn” briefly appears on the display every 6 seconds.

- The appliance is in “Demo” mode. Press the ON/OFF and START/PAUSE buttons and keep them pressed for 3 seconds. The display visualises **“dOn”** for 3 seconds, then the dryer starts functioning normally.

The “Remaining time” indicator changes during the drying cycle.

- The remaining time is constantly monitored during the drying cycle and is updated to show the best forecast. It is normal for the displayed time to increase during the cycle.

The dryer is noisy during the first few minutes of operation.

- This is normal, especially if the dryer has not been used for a long time. If the noise persists during the entire cycle, contact the Technical Assistance Centre.

The lights on the dryer control panel are off although the dryer is switched on.

- The dryer has gone into standby mode to save power. This occurs if you have left the dryer on or have had a power cut. It occurs after 30 minutes:
 - if you leave the dryer without starting a programme;
 - after your drying programme has finished.Press the On/Off button and the lights will come on again.

Spare parts

This dryer is a complex machine. Attempting to repair it personally or with the aid unqualified personnel may put the safety of people at risk, damage the machine or invalidate the spare parts guarantee.

Always contact a qualified technician when experiencing problems with this machine.

Product Guarantee And Repair Information

Guarantee

12 Months Parts and Labour Guarantee

Your appliance has the benefit of our manufacturer's guarantee, which covers the cost of breakdown repairs for twelve months from the date of purchase.

This gives you the reassurance that if, within that time, your appliance is proven to be defective because of either workmanship or materials, we will, at our discretion, either repair or replace the appliance at no cost to you:

This guarantee is subject to the following conditions:

- The appliance has been installed and operated correctly and in accordance with our operating and maintenance instructions.
- The appliance is used only on the electricity or gas supply printed on the rating plate.
- The appliance has been used for normal domestic purposes only.
- The appliance has not been altered, serviced, maintained, dismantled, or otherwise interfered with by any person not authorised by us.
- Any repair work must be undertaken by us or our appointed agent.
- Any parts removed during repair work or any appliance that is replaced become our property.
- The appliance is used in the United Kingdom or Republic of Ireland.

The guarantee does not cover:

- Damage resulting from transportation, improper use, neglect or interference or as a result of improper installation.
- Replacement of any consumable item or accessory. These include but are not limited to: plugs, cables, batteries, light bulbs, fluorescent tubes and starters, covers and filters.
- Replacement of any removable parts made of glass or plastic.

THIS GUARANTEE WILL NOT APPLY IF THE APPLIANCE HAS BEEN USED IN COMMERCIAL OR NON-DOMESTIC PREMISES.

Repairs and After Sales

For product help and advice, repairs, spare parts or accessories, we're here to help.

For local repair engineers - **03448 111 606** ROI - **0818 313 413** UK standard local rate applies ROI local Irish rate applies

For Parts and Accessories visit: parts.indesit.co.uk/shop

Please remember to register your appliance at www.indesitservice.co.uk to activate your 10 year parts guarantee.

Please note, our advisors will require the following information: model number, serial number.

This information can be found on the data plate located behind the door.

Information on recycling and disposal

As part of our continual commitment towards environmental protection, we reserve the right to use recycled quality components to reduce costs for our customers and to minimise materials wastage.

- Disposing of the packaging materials: follow local regulations to allow for recycling of packaging materials.
- In order to minimise the risk of injury to children, remove the door and plug, then cut the power supply cord flush with the appliance. Dispose of these parts separately to prevent the appliance from being connected to a power supply socket.

Disposal of old household appliances



European Directive 2012/19/EC concerning Waste Electrical and Electronic Equipment (WEEE) states that household appliances should not be disposed of using the normal solid urban waste cycle. Exhausted appliances should be collected separately in order to optimise the cost of re-using and recycling materials comprising the machine, while preventing potential damage to public health and the environment. The crossed-out wheeled bin symbol appears on all products to remind owners of the obligations regarding separate waste collection.

Owners should contact their local authorities or appliance dealers for further information concerning the correct disposal of household appliances.



This appliance conforms to the following EU directives:

- **2006/95/EC (Low Voltage Directive)**
- **2004/108/EC (Electromagnetic Compatibility Directive).**

SÈCHE-LINGE

FR

Français

EDCE G45 B H

www.indesit.com

!  Ce symbole vous rappelle de lire ce mode d'emploi.

! Conservez cette notice d'utilisation et d'installation à portée de main de manière à pouvoir vous y référer si nécessaire. Conservez cette notice toujours à côté du sèche-linge et si vous vendez cet appareil ou que vous le donniez à un tiers, faites en sorte que cette notice accompagne le sèche-linge de manière à ce que le nouveau propriétaire soit informé des avertissements et des conseils concernant le fonctionnement de ce sèche-linge.

! Lisez attentivement ce mode d'emploi : les pages suivantes contiennent des informations importantes concernant l'installation et des conseils relatifs au fonctionnement de cet appareil.

Table des matières

Installation, 18

Où installer le sèche-linge
Ventilation
Raccordement électrique
Informations préliminaires

Précautions, 20

Sécurité générale
Économie d'énergie et protection de l'environnement

Soin et entretien, 22

Interruption de l'alimentation électrique
Nettoyage du filtre après chaque cycle
Contrôle du tambour après chaque cycle
Vidange du réservoir d'eau après chaque cycle
Nettoyage du groupe condenseur
Nettoyage du sèche-linge

Description du sèche-linge, 24

Caractéristiques
Tableau de bord

Comment effectuer un cycle de séchage, 26

Démarrage et choix du programme

Programmes et options, 27

Tableau des programmes
Programmes Spécial/Sport/Partiaux
Options
Ouverture de la porte

Linge, 30

Tri du linge
Étiquettes d'entretien
Temps de séchage

Problèmes et solutions, 31

Assistance, 32

Pièces détachées
Informations pour le recyclage et la mise au rebut

FR

Installation

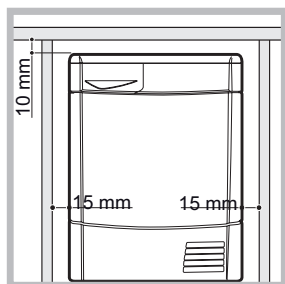
FR

Où installer le sèche-linge

• Placez votre sèche-linge à une certaine distance des cuisinières, fourneaux, radiateurs, ou plaques de cuisson à gaz, car les flammes peuvent endommager cet appareil.

Si vous installez cet appareil sous un plan de travail, faites en sorte de laisser un espace de 10 mm entre le dessus de l'appareil et tout autre objet sur ou au-dessus de celui-ci, et un espace de 15 mm entre ses côtés et les éléments d'ameublement ou les murs latéraux. Ceci a pour objectif d'assurer une ventilation convenable.

La surface arrière de l'appareil doit être placée contre un mur.



Ventilation

• Lorsque le sèche-linge est en marche, une aération adéquate est nécessaire. Faites en sorte d'installer votre sèche-linge dans un environnement qui n'est pas humide et qui est doté d'une bonne circulation d'air dans toute la pièce. La circulation d'air autour du sèche-linge est essentielle pour condenser l'eau produite au cours du lavage ; le sèche-linge ne fonctionnera pas efficacement dans un espace clos ou dans un placard.

! Si l'on utilise le sèche-linge dans une pièce froide ou petite, on rencontrera un certain degré de condensation.

! Nous vous déconseillons d'installer votre sèche-linge dans un placard ; par ailleurs, le sèche-linge ne doit en aucun cas être placé derrière une porte fermant à clé, une porte coulissante ou une porte montée sur des gonds du côté opposé à la porte de chargement du sèche-linge.

Vidange de l'eau

Si votre sèche-linge est installé à proximité d'une évacuation, l'eau peut être vidangée directement dans ce tuyau. Cela évite d'utiliser et de vider le réservoir d'eau.

Si vous installez le sèche-linge au-dessus ou à côté d'un lave-linge, il pourra partager la même vidange. Il suffit de débrancher le tuyau indiqué par la figure A et de le brancher à la vidange.

Si la vidange est plus loin que la longueur du tuyau, il est possible d'acheter et de brancher un tuyau ayant le même diamètre et la longueur nécessaire.

Pour installer le nouveau il suffit de remplacer le tuyau existant comme illustré par la figure B dans la même position.

! La hauteur de la vidange doit être inférieure à 1 m en partant du bas du sèche-linge.

! Assurez-vous que le tuyau n'est pas écrasé ou plié une fois le sèche-linge placé dans sa position définitive.

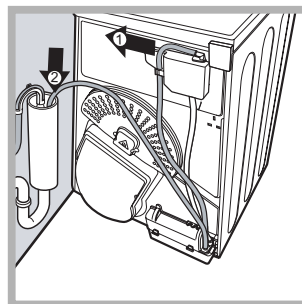


Fig. A

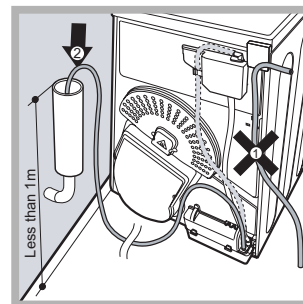


Fig. B

Raccordement électrique

Assurez-vous des points suivants avant de brancher la fiche de l'appareil dans la prise de mains :

- Assurez-vous d'avoir les mains sèches.
- La prise de courant doit être reliée à la terre.
- La prise de courant doit pouvoir supporter la puissance maximale de la machine, qui est indiquée sur la plaque signalétique de l'appareil (voir Description du sèche-linge).
- La tension électrique doit appartenir à la gamme de valeurs indiquée sur la plaque signalétique de l'appareil (voir Description du sèche-linge).
- La prise de courant doit être compatible avec la fiche du sèche-linge. Autrement, remplacez la prise ou la fiche.

! N'UTILISEZ PAS DE RALLONGES.

! Le sèche-linge ne doit pas être utilisé à l'extérieur, même si l'espace en question est abrité. Cela peut être dangereux si l'appareil est exposé à la pluie ou à des orages.

! Une fois le sèche-linge installé, le cordon d'alimentation et la fiche doivent être d'accès facile.

! Le cordon d'alimentation ne doit pas être courbé ou écrasé.

! Si la fiche à remplacer est de type incorporée, il faut l'éliminer conformément aux consignes de sécurité. Ne la laissez jamais dans un endroit où elle peut être branchée à une prise et provoquer ainsi un choc électrique.

! Le câble électrique doit être contrôlé périodiquement. Si le câble est endommagé, il faut le faire remplacer par le fabricant, par son service après-vente ou par tout autre personnel qualifié afin d'éviter tout risque de danger. (voir *Service après-vente*). Des cordons d'alimentation neufs ou plus longs sont fournis par les revendeurs agréés contre un supplément..

! Le fabricant rejette toute responsabilité en cas de non-respect de toutes ou partie de ces règles.

! En cas de doute au sujet des points précédents, consultez un électricien qualifié.

Informations préliminaires

Une fois que vous avez installé votre sèche-linge, et avant de l'utiliser, nettoyez l'intérieur du tambour pour retirer les poussières qui pourraient s'y être accumulées pendant le transport.

Charge maximale: 8 kg


Données techniques - Réglementation 392/2012.	
Marque	Indesit
Modèle	EDCE G45 B H (EU)
Capacité nominale de linge en coton pour le « programme coton standard » à pleine charge - kg	8.0
Ce sèche-linge domestique à tambour est un sèche-linge	À condens.
Classe d'efficacité énergétique de A+++ (faible consommation) à D (consommation élevée)	B
La consommation d'énergie annuelle (AEC)* pondérée Kwh 1)	560.0
Ce sèche-linge domestique à tambour est un sèche-linge	Automatique
Consommation d'énergie à pleine charge ; Edry- kWh 2)	4.77
Consommation d'énergie à demi-charge ; Edry½,- kWh 2)	2.53
Consommation d'électricité : mode arrêt (Po) - Watts	0.14
Consommation d'électricité : mode laissé sur marche (Pl) - Watts	2.39
Durée du mode laissé sur marche pour le système de gestion de la consommation d'électricité - minutes	30
Durée du programme - pondérée (Tt) pour pleine et demi-charge - minutes	104
Pleine charge (Tdry) - minutes	139
Demi-charge (Tdry½) - minutes	78
Classe de taux de condensation sur une échelle allant de G (appareils les moins efficaces) à A (appareils les plus efficaces)	B
Taux de condensation moyen - %	
pondéré (Ct) pleine et demi-charge 3)	81
charge pleine Cdr	82
demi-charge Cdry½	80
Niveau de bruit aérien - dB(A) re 1 pW	68.0
1) Le « programme coton standard » à charge pleine ou partielle et le « programme coton standard » à charge partielle sont les programmes standards auxquels se réfèrent les informations de l'étiquette et de la fiche. Ces programmes sont parfaits pour sécher du linge en coton au niveau armoire (0%) et ce sont aussi les programmes les plus efficaces au point de vue consommation d'énergie. La charge partielle est égale à la moitié de la charge nominale.	
2) La consommation annuelle est basée sur la base de 160 cycles de séchage pour le programme coton standard à pleine charge et à demi-charge, et de la consommation des modes à faible puissance. La consommation réelle d'énergie par cycle dépend des conditions d'utilisation de l'appareil.	
3) Moyenne pondérée de 3 cycles à pleine charge et de 4 cycles à demi-charge.	
Réglementation 932/2012.	
Synthétique: consommation d'énergie à pleine charge; kWh	1.41
Synthétique: pleine charge (Tdry) - minutes	65
Synthétique: demi-charge N/A	

Précautions

FR

! Cet électroménager a été conçu et réalisé conformément aux normes internationales de sécurité. Ces consignes sont fournies pour des raisons de sécurité, il faut les respecter scrupuleusement.

Sécurité générale

- Ce sèche-linge peut être utilisé par des personnes (notamment des enfants de plus de 8 ans) présentant des capacités physiques, motrices ou mentales réduites, ou manquant d'expérience et de connaissances, si elles sont placées sous surveillance ou ont reçu les instructions nécessaires à l'utilisation de l'appareil de la part d'une personne responsable de leur sécurité.
- Ce sèche-linge a été conçu pour un usage domestique, et non professionnel.
- Ne touchez pas cet appareil lorsque vous êtes pieds nus ou avec des mains ou des pieds humides.
- Débranchez cette machine en tirant sur la fiche et non sur le cordon.
- Après avoir utilisé ce sèche-linge, éteignez-le et débranchez-le. Tenez la porte fermée pour assurer que les enfants ne jouent pas avec.
- Surveillez les enfants de façon à ne pas les laisser jouer avec le sèche-linge.
- Le nettoyage et l'entretien ne doivent pas être effectués par des enfants non surveillés.
- Les enfants de moins de 3 ans doivent être tenus à bonne distance du sèche-linge s'ils ne sont pas sous surveillance constante.
- Cet appareil doit être installé correctement et avoir une ventilation convenable. L'arrivée d'air sur le devant du sèche-linge et l'évent derrière le sèche-linge ne doivent jamais être obstrués (voir Installation).
- N'utilisez jamais le sèche-linge sur de la moquette où la hauteur des poils empêcherait l'air d'entrer dans la sèche-linge à partir de la base.
- Vérifiez que le sèche-linge est bien vide avant de le charger.
-  L'arrière du sèche-linge peut devenir très chaud.
Ne le touchez jamais en cours d'utilisation.
- N'utilisez pas le sèche-linge si le filtre, le réservoir d'eau et le condenseur ne sont pas bien en place (voir Entretien).
- Ne surchargez pas le sèche-linge (voir Linge pour les charges maximales).
- Ne chargez pas d'articles qui dégouttent d'eau.
- Vérifiez avec soin toutes les instructions sur les étiquettes des vêtements (voir Linge).
- Ne séchez pas d'articles de grande taille, très volumineux.
- Ne séchez pas de fibres acryliques à hautes températures.
- N'éteignez pas le sèche-linge s'il contient encore des articles chauds.
- Nettoyez le filtre après chaque utilisation (voir Entretien).
- Videz le réservoir d'eau après chaque utilisation (voir Entretien).
- Nettoyez le groupe condenseur à intervalles réguliers (voir Entretien).
- Ne laissez pas s'accumuler de peluches autour du sèche-linge.
- Ne montez jamais sur le sèche-linge. Cela pourrait l'endommager.
- Respectez toujours les normes et exigences électriques (voir Installation).
- Achetez toujours des pièces de rechange et accessoires d'origine (voir Service Après-vente).

Vous devez observer les consignes suivantes pour réduire tout risque d'incendie dans votre sèche-linge :

- Ne séchez que des articles qui ont été lavés avec de l'eau et un détergent, rincés et essorés. Le fait de sécher des articles qui N'ONT PAS été lavés avec de l'eau constitue un danger d'incendie.
- Ne séchez pas des vêtements qui ont été traités avec des produits chimiques.
- Ne placez pas d'articles tachés ou imbibés d'huile végétale ou de cuisson, ils risqueraient de provoquer un incendie. Les articles contenant de l'huile peuvent prendre feu spontanément, particulièrement lorsqu'ils sont exposés à des sources de chaleur comme un sèche-linge. En chauffant, les articles provoquent une réaction d'oxydation avec l'huile générant alors de la chaleur. Si la chaleur ainsi générée ne peut pas être évacuée, les articles peuvent devenir suffisamment chauds pour prendre feu. Le fait d'empiler, de superposer ou de stocker des articles contenant de l'huile peut empêcher la chaleur d'être évacuée et donc provoquer un incendie. Si vous ne pouvez pas faire autrement que de placer des articles

contenant de l'huile végétale ou de l'huile de cuisson ou ayant été en contact avec des produits coiffants dans le sèche-linge, il convient de les laver au préalable à l'aide d'une dose supplémentaire de détergent. Cette précaution minimise, sans toutefois l'éliminer, le risque d'incendie. Les articles ne doivent pas être retirés du sèche-linge et empilés ou superposés lorsqu'ils sont chauds.

- Ne placez pas d'articles ayant été préalablement nettoyés ou lavés, imbibés ou tachés avec du pétrole/de l'essence, des solvants de nettoyage à sec ou d'autres substances inflammables ou explosives. Les substances hautement inflammables couramment utilisées dans l'environnement domestique sont notamment l'huile de cuisson, l'acétone, l'alcool dénaturé, la kérosène, les détachants, la térébenthine, les cires et les produits permettant d'éliminer la cire. Assurez-vous que ces articles ont été lavés à l'eau chaude à l'aide d'une dose supplémentaire de détergent avant de les mettre à sécher dans le sèche-linge.
- Ne placez pas d'articles contenant du caoutchouc mousse (également connu sous l'appellation mousse de latex) ou des matériaux similaires renfermant du caoutchouc dans le sèche-linge. Les matériaux contenant du caoutchouc mousse peuvent, lorsqu'ils sont chauffés, s'enflammer par combustion spontanée.
- Les produits assouplissants ou les produits similaires ne doivent pas être utilisés dans un sèche-linge en vue d'éliminer les effets de l'électricité statique sauf si leur emploi est spécifiquement recommandé par le fabricant du produit assouplissant.
- Ne placez pas de sous-vêtements contenant des renforts en métal comme les soutiens-gorge à armature dans le sèche-linge. Si les renforts en métal venaient à se détacher pendant le séchage, ils pourraient endommager le sèche-linge.
- Ne placez pas d'articles en caoutchouc ou en plastique dans le sèche-linge, comme des bonnets de douche ou des couvertures étanches pour bébé, des articles en polyéthylène ou en papier.
- Ne placez pas d'articles contenant des pièces de caoutchouc plaquées, des vêtements présentant des pièces en mousse de caoutchouc, des oreillers, des bottes en caoutchouc et des tennis

recouvertes de caoutchouc dans le sèche-linge.

- Enlever tous les objets des poches, notamment les briquets et les allumettes.

! ATTENTION: N'arrêtez pas le sèche-linge avant la fin du cycle de séchage si vous n'avez pas la possibilité de retirer rapidement tous les articles et de les étendre pour évacuer la chaleur.

Économie d'énergie et protection de l'environnement

- Essorez les articles pour éliminer l'eau en excès avant de les passer au sèche-linge (si vous utilisez une machine à laver, sélectionnez un cycle d'essorage à grande vitesse). Ceci vous permettra d'économiser de l'énergie durant le séchage.
- Séchez toujours des charges complètes – vous économiserez de l'énergie : les articles uniques ou les petites charges prennent plus longtemps à sécher.
- Nettoyez le filtre après chaque utilisation pour limiter les coûts de consommation d'énergie (voir Entretien).

Soin et entretien

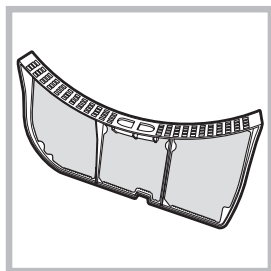
FR

Interruption de l'alimentation électrique

! Débranchez votre sèche-linge lorsque vous ne l'utilisez pas, lorsque vous le nettoyez et durant toutes les opérations d'entretien.

Nettoyage du filtre après chaque cycle

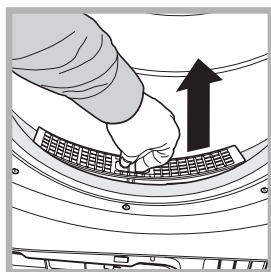
Le filtre est une pièce importante de votre sèche-linge : il accumule des peluches qui se forment durant le séchage.



Par conséquent, une fois le séchage terminé, nettoyez le filtre en le rinçant sous l'eau courante ou avec votre aspirateur. Si le filtre devient bloqué, le flux d'air à l'intérieur du sèche-linge est sérieusement

compromis: les temps de séchage sont allongés et vous consommez davantage d'énergie. Cela peut aussi endommager votre sèche-linge.

Le filtre se trouve devant le joint du sèche-linge (voir figure).



Pour retirer le filtre :
1. Tirez la poignée en plastique du filtre vers le haut (voir figure).
2. Nettoyez le filtre et remettez-le correctement en place. Assurez-vous que le filtre soit bien inséré à fond dans le joint du sèche-

linge.

! N'utilisez pas le sèche-linge sans avoir remis le filtre en place.

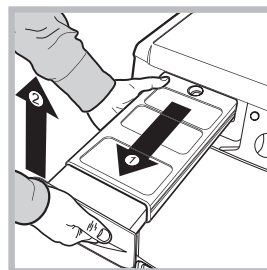
Contrôle du tambour après chaque cycle

Tournez le tambour à la main afin de retirer les petits articles (mouchoirs) qui pourraient y avoir été oubliés.

Nettoyage du tambour

! Pour nettoyer le tambour, ne pas utiliser d'abrasifs, de laine d'acier ni de produits de nettoyage pour acier inoxydable. Un film coloré peut parfois apparaître à la surface du tambour en acier inoxydable. Il peut être dû à une combinaison de l'eau et/ou des produits de nettoyage (ex. adoucissant textile provenant du lavage). Ce film coloré n'affecte pas la performance du sèche-linge.

Vidange du réservoir d'eau après chaque cycle



Sortez le réservoir du sèche-linge et videz-le dans un évier ou autre évacuation appropriée. Remettez le réservoir d'eau bien en place. Toujours vérifier et vider le réservoir avant de commencer un nouveau programme de séchage.

Si le réservoir d'eau n'est pas vidé, les problèmes suivants peuvent se vérifier :

- L'arrêt du chauffage de l'appareil (le linge pourrait donc être encore humide à la fin du cycle de séchage).
- La led « Vider l'eau » s'allume pour signaler que le réservoir est plein.

Chargement du système de collecte de l'eau

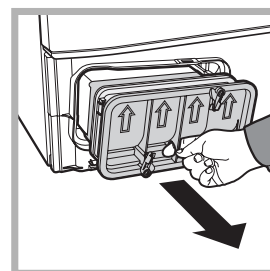
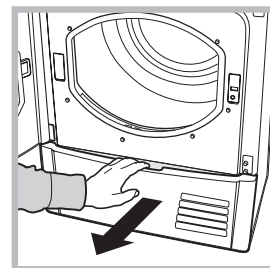
Quand le sèche-linge est neuf, le réservoir d'eau ne reçoit pas l'eau tant que le système n'est pas chargé. Cette opération peut prendre 1 ou 2 cycles de séchage. Une fois qu'il a été chargé, le système commence à recevoir l'eau à chaque cycle.

Nettoyage du groupe condenseur

• Périodiquement (chaque mois) retirez le groupe condenseur et nettoyez toute accumulation de peluche entre les plaques en le rinçant sous le robinet à l'eau froide.

Pour retirer le condenseur :

1. Débranchez le sèche-linge et ouvrez la porte.
2. Ouvrez le couvercle du condenseur (voir figure). Dégagez les trois loquets en tournant à 90° dans le sens contraire aux aiguilles d'une montre, puis tirez sur la poignée et retirez-le du sèche-linge.
3. Nettoyez la surface des joints d'étanchéité et replacez le groupe, les flèches tournées vers le haut, en vous assurant que les loquets ont été bien bloqués.



Nettoyage du sèche-linge

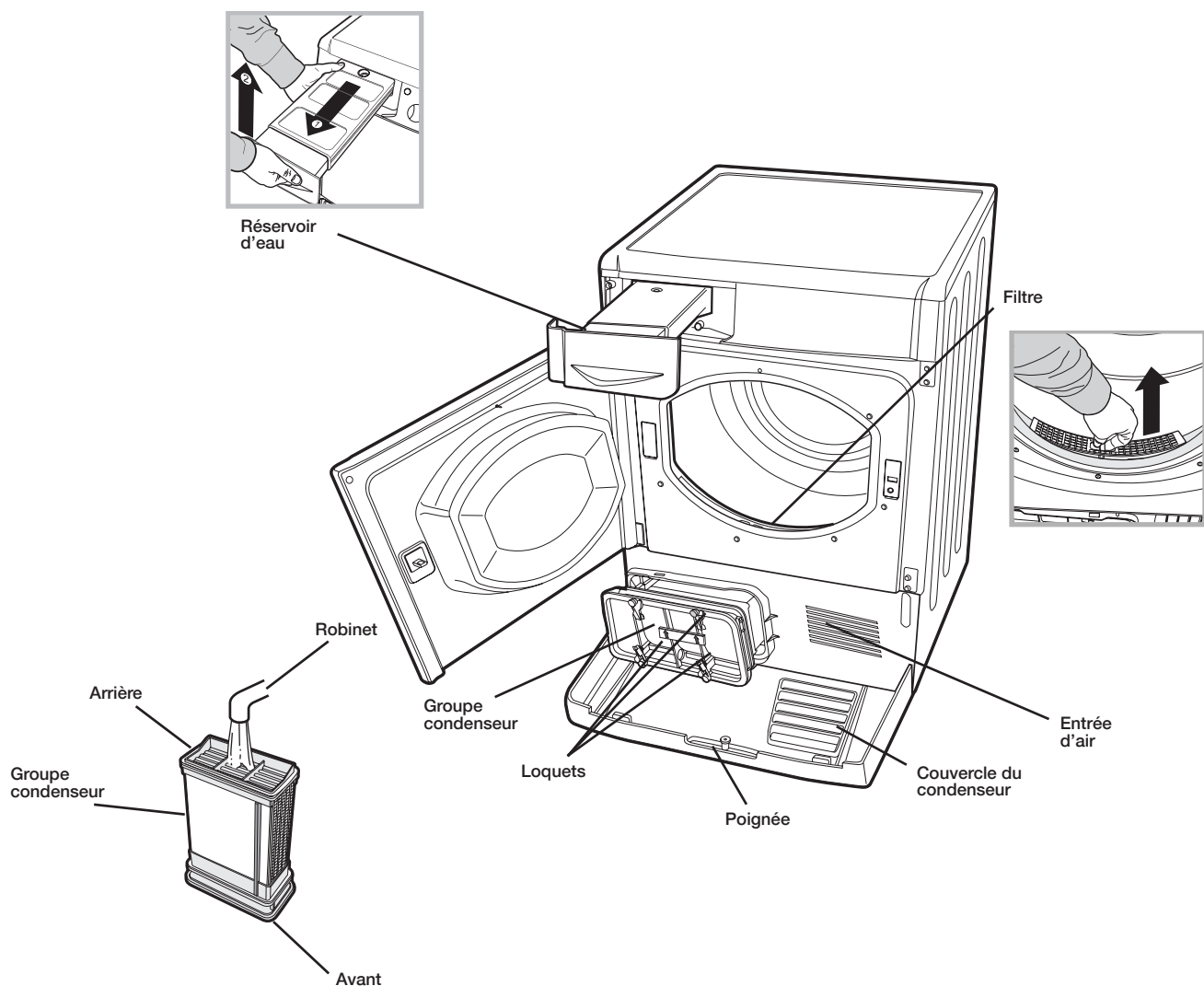
- Pour nettoyer l'extérieur en métal et en plastique et les parties en caoutchouc, utiliser un chiffon humide.
- Périodiquement (tous les 6 mois), aspirez la grille d'entrée d'air de devant, ainsi que les événements à l'arrière du sèche-linge pour retirer toute accumulation de peluche ou de poussière. En outre, pour éliminer l'accumulation de peluche de l'avant du condenseur et de la zone du filtre, nettoyez occasionnellement à l'aide d'un aspirateur.

! N'utiliser ni solvants ni abrasifs.

! Faites vérifier régulièrement votre sèche-linge par des techniciens agréés pour assurer la sécurité électrique et mécanique (voir Service après-vente).

Conseils rapides

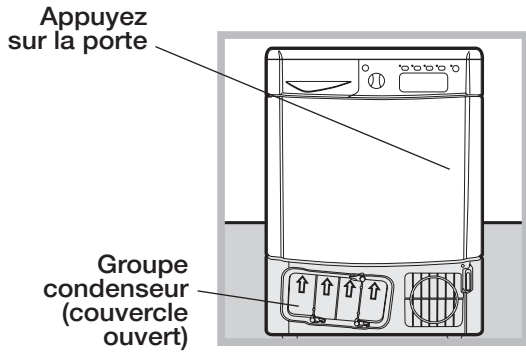
- ! N'oubliez pas de nettoyer le filtre de la porte et le filtre du condenseur après chaque séchage.
- ! N'oubliez pas de vider le récipient recueillant l'eau après chaque charge.
- ! Vous obtiendrez ainsi, des performances optimales !



Description du sèche-linge

FR

Ouverture de la porte



Caractéristiques

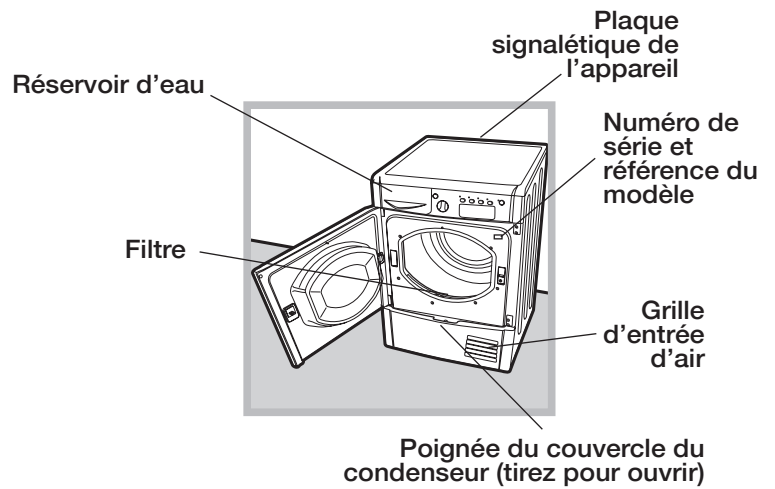
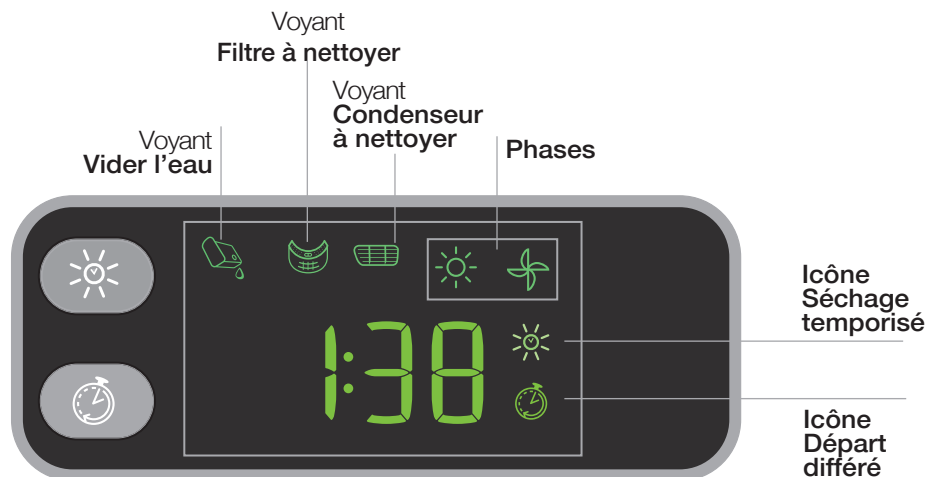
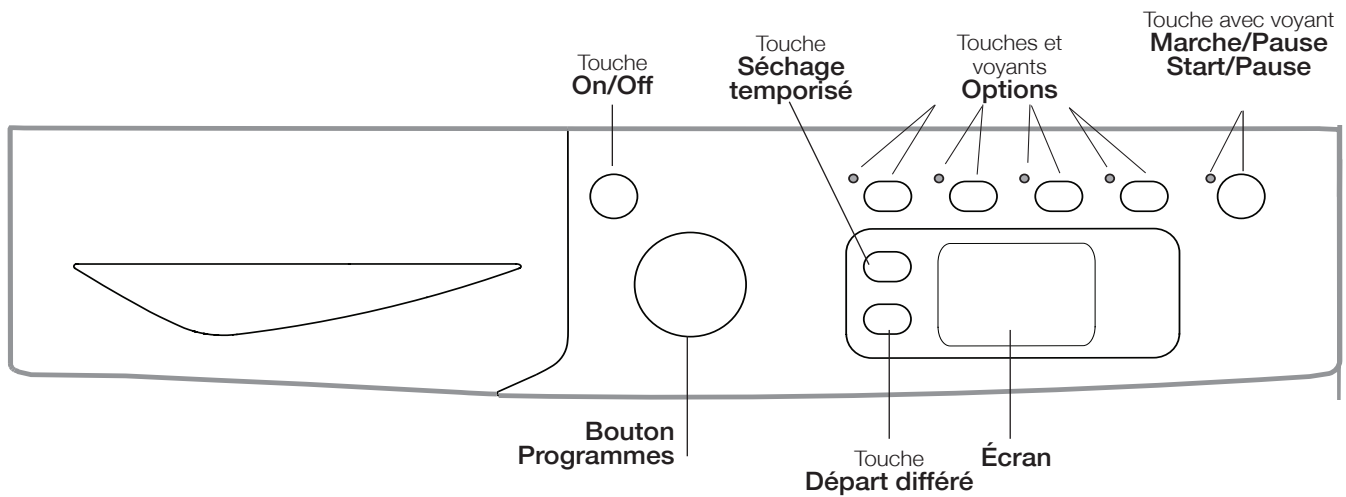


Tableau de bord



Touche ON/OFF/Reset

Une pression normale sur cette touche fait allumer ou éteindre l'appareil. Si le sèche-linge est en marche, une pression prolongée d'au moins 3 secondes fait éteindre l'appareil et remettre à zéro le cycle en cours.

Bouton Programmes

Permet de sélectionner les programmes : tournez le bouton jusqu'à positionner l'indicateur sur le programme souhaité (*voir Démarrage et choix du programme*).

Touches options

Permettent de choisir les options disponibles pour le programme sélectionné. Les voyants correspondants s'allument pour indiquer que les options ont été sélectionnées (*voir Programmes et options*).

Touche avec voyant MARCHE/PAUSE - START/PAUSE

Quand le voyant vert clignote lentement, appuyer sur la touche pour démarrer le programme. Une fois que le cycle est démarré, le voyant reste allumé. Pour activer une pause de programme, appuyer à nouveau sur la touche ; le voyant passe à l'orange et se met à clignoter.

Pour faire redémarrer le programme exactement à l'endroit de l'arrêt, appuyez une nouvelle fois sur la touche (*voir Démarrage et choix du programme*).

Écran

La section **A** affiche la valeur du « Séchage temporisé » programmé ; si un « Départ différé » a été programmé, le temps restant avant le démarrage du programme sélectionné est affiché.

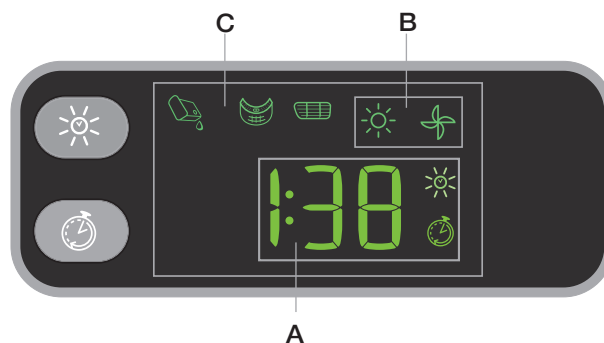
Cette section affiche également la durée du programme choisi.

La section **B** affiche la phase du programme en cours :

Icône du soleil ☀️ : Séchage

Icône du rotor 🌀 : Cycle d'air froid

La section **C** affiche les voyants d'entretien (voyant Vider l'eau 🚰, voyant Filtre à nettoyer 🌀, voyant Nettoyage Condenseur à nettoyer 🧼), voir *Voyants*.



Voyants

Les voyants fournissent des informations importantes. Voilà ce qu'ils signalent :

Le voyant "Vider l'eau" 🚰 indique qu'il est nécessaire de vider le réservoir d'eau.

Si ce réservoir se remplit complètement au cours du programme, la led s'allume. Le sèche-linge lance automatiquement le cycle d'air froid et la led MARCHE/PAUSE- START/PAUSE commence à clignoter en ambré. Pour faire redémarrer le cycle là où il avait été interrompu, appuyez sur la touche MARCHE/PAUSE START/PAUSE.

Pour éviter cette procédure, videz toujours le réservoir d'eau après chaque utilisation du sèche-linge (*voir Entretien*).


Le voyant "Filtre à nettoyer" 🌀 avant chaque programme sert à rappeler qu'il est essentiel de nettoyer le filtre chaque fois avant d'utiliser le sèche-linge (*voir Entretien*).

Le voyant Nettoyage "Condenseur à nettoyer" 🧼 sert à rappeler qu'il est essentiel de nettoyer le condenseur périodiquement (*voir Entretien*).

Comment effectuer un cycle de séchage

FR

Démarrage et choix du programme

1. Branchez la fiche du sèche-linge dans la prise de courant électrique.
2. Sélectionnez le programme en fonction du type de linge (*voir Linge*).
3. Ouvrez la porte et assurez-vous que le filtre est propre et en place et que le réservoir d'eau est vide et en place (*voir Entretien*).
4. Chargez la machine en faisant attention à ce qu'aucun vêtement ne s'interpose entre la porte et le joint de la porte. Fermez la porte.
5. Appuyez sur la touche ON/OFF pour mettre l'appareil en marche.
6. Tournez le bouton Programmes jusqu'à positionner l'indicateur sur le programme correspondant au type de linge à sécher, en contrôlant le tableau des programmes (*voir Programmes et options*) et les indications pour chaque type de tissu (*voir Linge*).
! Attention : si la position du bouton change après avoir appuyé sur la touche MARCHE/PAUSE START/PAUSE, la nouvelle position NE MODIFIE PAS le programme sélectionné. Pour modifier le programme appuyez sur la touche MARCHE/PAUSE START/PAUSE pour activer une pause de programme (le voyant se met à clignoter en orange), ensuite choisissez le nouveau programme et les options correspondantes. Appuyez sur la touche MARCHE/PAUSE START/PAUSE pour lancer le nouveau programme.
7. Choisissez le « Séchage temporisé » en appuyant sur la touche correspondante jusqu'à atteindre le niveau ou le temps souhaités (*voir Programmes et options*).
8. Si nécessaire, programmez le temps de départ différé et les autres options (*voir Programmes et options*).
9. Si vous voulez que l'avertisseur sonore se déclenche à la fin du programme, appuyez sur la touche ALARME .
10. Appuyez sur la touche MARCHE/PAUSE START/PAUSE pour commencer. Le temps restant prévu s'affiche à l'écran. Pendant le programme de séchage vous pouvez contrôler le linge et sortir les vêtements qui ont déjà séché, en laissant continuer les autres. Après avoir refermé la porte, appuyez sur MARCHE/PAUSE START/PAUSE pour remettre l'appareil en marche.
11. Les dernières minutes avant que tout programme de séchage ne soit terminé, l'appareil entre dans la phase finale de SÉCHAGE À FROID (les tissus sont refroidis), que vous devez toujours laisser se terminer.
12. Pour vous informer que le programme est terminé, trois bips retentissent et le mot « **END** » apparaît sur l'écran (remarque : si l'option ALARME a été sélectionnée, les trois bips retentissent toutes les 30 secondes pendant 5 minutes). Ouvrez la porte, sortez votre linge, nettoyez le filtre et remettez-le en place. Videz le réservoir d'eau et remplacez-le (*voir Entretien*).

Si les vêtements ne sont pas retirés à la fin du cycle, l'action **Anti-froissement automatique** fera en sorte que, pour les programmes dotés de cette fonction, le tambour continue de tourner par intermittence pendant 10 heures maximum pour limiter le froissement. Si la porte est ouverte ou en cas de pression sur le bouton **ON/OFF**, la fonction Anti-froissement s'arrête.

13. Débranchez le sèche-linge.

Anti-froissement automatique

Cette fonction automatique permet de limiter le froissement des vêtements avant et après le programme de séchage. En faisant tourner périodiquement le tambour avant le début du cycle de séchage en cas de départ différé, l'on évite l'apparition du froissement. Sur certains programmes, le tambour tourne périodiquement à la fin du cycle. Ce traitement ultérieur continue jusqu'à l'ouverture du hublot ou la pression du bouton **ON/OFF**.

Stand-by

Ce sèche-linge, conformément aux nouvelles normes en vigueur dans le domaine de l'économie d'énergie, est équipée d'un système d'extinction automatique (veille) activé après 30 minutes environ d'inutilisation. Appuyez sur le bouton **ON/OFF** et maintenez-le enfoncé jusqu'à ce que le sèche-linge se remette en marche.

Tableau des programmes

	Programme	Charge maxi (kg)	Options compatibles	Durée cycle	
Fast & Easy					
1	Rapide 35'	1	Memo - Verrou Touche - Départ différé.	La durée des programmes est contrôlable sur l'afficheur ***.	
2	Mix	3	Memo - Verrou Touche - Départ différé.		
3	Moins Froissé	3	Memo - Verrou Touche.		
4	Coton à Repasser	Max.	Extra Care - Memo - Verrou Touche - Séchage temporisé - Départ différé.		
5	Synth. à Repasser	4	Memo - Verrou Touche - Séchage temporisé - Départ différé.		
Standard					
6	Coton Standard ²	Max.	Extra Care - Energy Saver ¹ - Memo - Verrou Touche - Séchage temporisé - Départ différé.		
7	Coton Prêt à Porter	Max.	Memo - Verrou Touche - Séchage temporisé - Départ différé.		
8	Synthétique	4	Energy Saver ¹ - Memo - Verrou Touche - Séchage temporisé - Départ différé.		
9	Jeans	3	Memo - Verrou Touche - Départ différé.		
Spécial					
10	Bébé & Délicats	2	Memo - Verrou Touche - Séchage temporisé - Départ différé.		
11	Laine	1	Memo - Verrou Touche.		
12	Doudoune	1,5	Memo - Verrou Touche - Départ différé.		
13	Gym Kit	4	Memo - Verrou Touche - Départ différé.		
14	Baskets	1 paire	Memo - Verrou Touche.		
Extra					
15	Repassage Facile	2,5	Memo - Verrou Touche.		
16	Rafraîchissement	-	Memo - Verrou Touche.		

Remarque: **1** Avec cette option, la charge maximale est modifiée. Vérifiez la description des options. **2** Ce programme est le programme le plus efficace en termes de consommation d'énergie (UE 392/2012). **3** La durée de ces programmes peut dépendre de la charge de linge, du type de tissu, de la vitesse d'essorage utilisée et des options choisies.

Programmes Spécial/Sport/Partiaux

Rapide 35'

Un programme rapide temporisé, idéal pour sécher du linge essoré à grande vitesse dans le lave-linge; par exemple, les chemises portées dans la semaine.

Mix

Ce programme est idéal pour sécher ensemble les tissus en coton et les tissus synthétiques, avec un degré de séchage qui facilite le repassage.

Moins Froissé

Cycle pour tissus synthétiques et mixtes pour un repassage plus rapide.

Secouer les vêtements avant de les introduire dans le sèche-linge. A la fin du programme, retirer immédiatement les vêtements et les pendre.

Coton Standard: niveau de séchage qui permet de sécher les vêtements et de les ranger directement dans l'armoire.

Coton Prêt à Porter: niveau de séchage qui permet d'obtenir un niveau maximum de séchage. Encore plus sec que le programme Coton Standard.

Jeans


Ce programme est particulièrement adapté aux jeans en denim. Avant de faire sécher vos jeans, retournez les poches avant. Ne mélangez pas les articles de couleur sombre et de couleur claire. Ce programme peut également être utilisé pour d'autres articles du même matériau comme les vestes. Les charges séchées avec Sec Extra plus sont normalement prêtes à être portées. Mais les bords ou les coutures peuvent être légèrement humides. Vous pouvez alors essayer de retourner les jeans, puis de relancer le programme, pour une courte durée.

!L'utilisation de ce programme est déconseillée si vos jeans comportent des ceintures élastiquées, des clous ou des broderies.

Bébé & Délicats

Un programme spécialement conçu pour essuyer les vêtements et les sous-vêtements des nouveaux nés (coton et tissu chenille) ainsi que le linge délicat. Ne pas sécher les articles contenant du plastique.

Laine

C'est un programme réservé aux articles supportant le séchage au tambour et portant le symbole . Vous pouvez l'utiliser pour des charges jusqu'à **1 kg** (3 pull-overs environ). Il est conseillé de tourner les vêtements à l'envers avant de les charger dans le sèche-linge. Les charges séchées avec ce programme sont normalement prêtes à porter, mais parfois les bords et les coutures des vêtements plus lourds peuvent s'avérer encore légèrement humides. Laissez-les sécher naturellement, car un autre cycle de séchage à la machine pourrait les endommager.

! Contrairement à d'autres matériaux, la laine subit un processus de rétrécissement qui est irréversible, dans ce sens que le vêtement ne reprend plus sa taille et sa forme d'origine.

! Ce programme n'est pas indiqué pour les articles en acrylique.

Doudoune

Un cycle étudié pour sécher les doudounes en plumes et duvet d'oie, en leur redonnant leur souplesse naturelle (2 doudounes à la fois).

Gym Kit

Cycle pour sécher le linge sportif de toute la famille (shorts, maillots de corps, t-shirt et serviettes)

Baskets

Ce programme permet de sécher une paire de chaussures de sport. Les chaussures doivent avoir été lavées et essorées à une vitesse d'essorage d'au moins **400 tours/minute**.

Vous devez utiliser le porte-chaussures fourni. Si vous séchez vos chaussures directement dans le tambour, cela va endommager votre sèche-linge. Retirez le filtre de sa position à l'avant du sèche-linge et mettez le porte-chaussures en place.

Rentrez les lacets à l'intérieur des chaussures et chargez celles-ci avec les pointes vers le bas et les semelles vous faisant face.

Les temps de séchage varient en fonction de la taille et du style de chaussures. Si les chaussures ne sont pas entièrement sèches à la fin du programme, redémarrez ce programme.

! Ne pas sécher de chaussures avec des inserts Gel ou des lumières clignotantes. Ne sécher que des chaussures en synthétique ou en toile. Une fois que vous avez terminé, retirez le porte-chaussures et remettez le filtre en place.

Repassage Facile

C'est un programme court de 10 minutes qui relâche les fibres et les rend plus faciles à repasser et à plier.

Il fonctionne particulièrement bien sur les textiles traditionnels comme le coton ou les cotons mélangés.

Pour des résultats impeccables ne chargez pas plus que la capacité maximum (les chiffres suivants font référence au poids sec) :

Textile : charge maximum - Coton et cotons mélangés **2,5 kg** - Synthétiques : **2 kg** - Jeans : **2 kg**

Videz le sèche-linge aussitôt le programme terminé, suspendez, pliez ou repassez les articles et rangez-les dans l'armoire. Si cela n'est pas possible, répétez le programme.

! Ce n'est pas un programme de séchage et ne doit pas être utilisé pour des vêtements mouillés.

L'effet produit varie d'un textile à l'autre: il fonctionne bien sur les textiles traditionnels comme le coton, et moins bien sur les fibres acryliques et sur les matériaux comme le Tencel®.

Rafraîchissement

Programme court qui sert à aérer les fibres et les vêtements avec de l'air frais. Il a une durée de **0:20** (hrs:mins) environ.

! Ce n'est pas un programme de séchage et ne doit pas être utilisé pour des vêtements mouillés.

Il peut être utilisé pour toute charge, mais il est plus efficace sur des charges peu importantes.

Options

Les options permettent de personnaliser le programme sélectionné en fonction de vos exigences.

Séchage temporisé

Après avoir sélectionné un programme, appuyez sur la touche Séchage temporisé pour programmer le temps de séchage. À chaque pression sur cette touche, la durée de séchage choisie est affichée à l'écran. À la première pression sur la touche, la valeur maximale autorisée pour le cycle sélectionné est affichée à l'écran. Toute pression successive réduit le temps programmé jusqu'à l'affichage de **OFF**. Si l'option de séchage temporisé n'est pas disponible, trois bips sonores sont émis.

Départ différé

Le départ de certains programmes (*voir Programmes et options*) peut être retardé d'un délai pouvant aller jusqu'à **24 heures**. Appuyez plusieurs fois de suite sur la touche jusqu'à ce que le retard désiré soit affiché. Avant de régler un départ différé, assurez-vous que le réservoir d'eau est vide et que le filtre est propre. Pendant ce cycle, les vêtements tournent régulièrement dans la machine pour empêcher le froissement.

Extra Care

Une option conçue pour sécher avec le plus grand soin les vêtements les plus délicats. En appuyant sur ce bouton, le voyant LED correspondant s'allume et le séchage se fait à des températures plus basses. En actionnant cette fonction, la durée du cycle augmente.

Energy Saver

Une option conçue pour optimiser les résultats de séchage sur des charges de petites dimensions (coton charge max 2 kg et synthétiques charge max 1 kg) en réduisant les consommations et les temps de séchage.

Memo

Cette option permet de mémoriser ou de rappeler le cycle et les options correspondantes mémorisées précédemment sauf le départ différé.

- La mémorisation se produit en appuyant pendant 3 secondes sur la touche Memo et peut être effectuée tant en pause qu'en cycle lancé. Après avoir sélectionné le cycle désiré et les options correspondantes, il est possible de procéder à la mémorisation. Pendant la pression prolongée de la touche Memo, la LED de l'option clignotera tout comme le temps sur l'afficheur. À la fin des 3 secondes, un signal sonore préviendra l'utilisateur que la mémorisation a eu lieu.
 - Pour rappeler l'option, il suffira d'allumer le sèche-linge, d'appuyer sur la touche Memo et de mise en marche. Comme tout autre cycle, il est possible d'en modifier les options et les réglages, sauf en cas d'incompatibilité.
- Le numéro du cycle rappelé apparaîtra sur l'afficheur toutes les 2 minutes. Si aucun cycle n'a été mémorisé, un signal acoustique et visuel en signalera l'absence.
- Pour enregistrer un nouveau programme, il suffit de répéter l'opération de mémorisation.

Verrou Touche

Appuyer pendant quelques secondes sur ce poussoir après avoir choisi le programme et les options désirées. Lorsque le voyant est allumé, les autres poussoirs et la poignée des programmes sont exclus. Pour éliminer le blocage, maintenir le poussoir appuyé; le voyant s'éteint. La touche ON/OFF éteint la machine même si la fonction **Verrou Touche** est active.

! Les options ne sont pas toutes disponibles pour tous les programmes (*voir Programmes et options*).

Ouverture de la porte

En ouvrant la porte (ou appuyant sur la touche Marche/Pause Start/Pause) pendant le fonctionnement d'un programme, le sèche-linge s'arrête et les conséquences suivantes se produisent :

- Le voyant Start/Pause passe à l'orange et clignote.
 - Pendant le départ différé, le retard continue d'être décompté. Il faut appuyer sur la touche de Marche/Pause Start/Pause pour reprendre le programme de départ différé. Le voyant du « Départ différé » clignote et l'écran affiche le temps restant avant le démarrage du programme sélectionné.
 - Il faut appuyer sur la touche de Marche/Pause Start/Pause pour reprendre le programme. Les voyants d'avancement indiquent la phase en cours et le voyant de Marche/Pause Start/Pause passe au vert et cesse de clignoter.
 - Pendant la phase anti-froissement fin de séchage le programme sera interrompu. Appuyez sur la touche Marche/Pause Start/Pause pour démarrer un nouveau programme dès le début.
 - Tournez le bouton Programmes pour sélectionner un nouveau programme. Le voyant Marche/Pause Start/Pause passe au vert et commence à clignoter. Suivez également cette procédure pour sélectionner le programme Séchage à froid pour refroidir les vêtements, si vous estimez qu'ils sont suffisamment secs.
- Appuyez sur la touche Marche/Pause Start/Pause pour commencer le nouveau programme.

Remarque : En cas de coupure de courant, coupez l'alimentation ou débranchez la prise. Une fois le courant rétabli, branchez la machine, appuyez sur le bouton **ON/OFF** et maintenez-le enfoncé jusqu'à ce que le sèche-linge se remette en marche puis appuyez sur le bouton Marche/Pause Start/Pause.

Linge

FR

Tri du linge

- Vérifiez les symboles sur les étiquettes des vêtements pour vous assurer que les articles peuvent être passés au sèche-linge.
- Triez votre linge par type de textile.
- Videz les poches et contrôlez les boutons.
- Fermez les fermetures éclair et les crochets et attachez les ceintures et les cordons, sans serrer.
- Essorez chaque article de manière à éliminer autant d'eau que possible.

! Ne chargez pas de vêtements mouillés qui gouttent dans le sèche-linge.

Capacités maximales de chargement

Ne chargez pas plus que la capacité maximale.
Les chiffres suivants font référence au poids sec :
Fibres naturelles : maximum 8 kg
Fibres synthétiques : maximum 4 kg

! Pour éviter que le sèche-linge ne perde de son efficacité, ne le surchargez pas.

Étiquettes d'entretien

Regardez les étiquettes sur vos vêtements, en particulier lorsque vous les séchez pour la première fois au sèche-linge. Les symboles suivants sont les plus courants :

- Séchage en machine.
- Pas de séchage en machine.
- Séchage à haute température.
- Séchage à basse température.

Temps de séchage

Ces temps sont approximatifs et peuvent varier en fonction des paramètres suivants :

- La quantité d'eau retenue dans les vêtements après le cycle d'essorage : les serviettes éponge et les textiles délicats retiennent une quantité importante d'eau.
- Les textiles : des articles qui sont constitué par le même type de textile mais qui ont des textures et des épaisseurs différentes peuvent ne pas avoir le même temps de séchage.
- La quantité de linge : les articles uniques ou les petites charges peuvent prendre plus longtemps à sécher.
- Séchage : si vous avez l'intention de repasser certains de vos vêtements, vous pouvez les sortir de la machine alors qu'ils sont encore un peu humides. Les autres vêtements peuvent y rester plus longtemps si vous voulez qu'ils en sortent entièrement secs.
- Le réglage de la température.
- La température ambiante : si la pièce dans laquelle le sèche-linge est installé est froide, cela prendra plus longtemps à l'appareil pour sécher vos vêtements.
- Le volume : certains articles volumineux peuvent être séchés en machine avec quelques précautions. Nous vous suggérons de retirer plusieurs fois ces articles de la machine, de les secouer et de les remettre dans le sèche-linge jusqu'à ce que celui-ci ait terminé de les sécher.

! Ne séchez pas excessivement vos vêtements. Tous les issus contiennent une certaine quantité d'humidité naturelle, ce qui les rend doux et gonflants.

Les temps indiqués se réfèrent aux programmes automatiques Séchage armoire. Les poids font référence aux vêtements secs.

Temps de séchage

Coton Haute température								
Temps de séchage après 800-1000 trs/mn dans la machine à laver								
	1 kg	2 kg	3 kg	4 kg	5 kg	6 kg	7 kg	8 kg
Automatique (hrs:mins)	0:30-0:40	0:40-0:55	0:55-1:10	1:10-1:20	1:20-1:30	1:35-2:00	2:00-2:20	2:10-2:40
Temporisé (hrs:mins)	0:30 ou 1:00	0:40 ou 1:20	0:50 ou 1:20	1:00 ou 1:40	1:20 ou 2:00	2:00 ou 2:40	2:20 ou 3:00	2:40 ou 3:00
Synthétiques Basse température								
Temps de séchage après essorage réduit dans la machine à laver								
	1 kg	2 kg	3 kg	4 kg				
Automatique (hrs:mins)	0:30 - 0:40	0:40 - 0:50	0:50 - 1:10	0:70 - 1:30				
Temporisé (hrs:mins)	0:30 ou 1:00	0:40 ou 1:20	1:00 ou 1:30	1:20 ou 1:40				
Acrylics Low Heat								
Temps de séchage après essorage réduit dans la machine à laver								
	1 kg			2 kg				
Automatique (hrs:mins)	0:40 - 1:20			1:00 - 1:40				
Temporisé (hrs:mins)	0:30			1:00				

Si vous trouvez que le sèche-linge ne fonctionne pas correctement, avant de contacter le Service après-vente (voir Assistance), consultez attentivement le tableau suivant afin de pouvoir résoudre les problèmes éventuels :

Problème :

Causes / Solutions possibles :

Le sèche-linge ne démarre pas.

- La fiche n'est pas suffisamment insérée dans la prise murale pour qu'il y ait contact.
- Il y a une panne de courant.
- Le fusible a sauté. Essayez de brancher un autre appareil dans la même prise électrique.
- Si vous utilisez une rallonge, essayez de brancher le cordon d'alimentation du sèche-linge directement dans la prise.
- La porte n'est pas bien fermée.
- Le programme n'a pas été convenablement réglé (voir Comment effectuer un cycle de séchage).
- La touche de START/PAUSE (MARCHE/PAUSE) n'est pas enfoncée (voir Comment effectuer un cycle de séchage).

Le cycle de séchage ne démarre pas.

- Un retard a été programmé (voir Programmes et options).
- La touche de START/PAUSE (MARCHE/PAUSE) a été appuyée ; il faut attendre quelques instants avant que le démarrage du sèche-linge. Attendez donc le début du séchage sans appuyer à nouveau sur la touche de MARCHE/PAUSE ; dans le cas contraire, l'appareil en mode de pause et ne fait pas démarrer le séchage.

L'appareil met longtemps à sécher.

- Le filtre n'a pas été nettoyé (voir Entretien).
- Le réservoir d'eau a-t-il besoin d'être vidé ? Le voyant « Vider l'eau » clignote et le message « h2o » s'affiche (voir Entretien).
- Le condenseur a besoin d'être nettoyé (voir Entretien).
- La température choisie n'est pas idéale pour le type de textile que vous séchez (voir Programmes et options).
- La durée de séchage correcte n'a pas été sélectionnée pour la charge (voir Linge).
- La grille d'entrée d'air ou les entrées d'air à l'arrière sont obstrués (voir Installation et Entretien).
- Les articles étaient trop mouillés (voir Linge).
- Le sèche-linge était surchargé (voir Linge).

Le voyant « Vider l'eau » clignote, mais le sèche-linge n'a fonctionné que pendant une courte période.

- Le réservoir d'eau n'a probablement pas été vidé au début du programme. N'attendez pas le signal de vidage d'eau, mais vérifiez toujours et videz le récipient avant de commencer un nouveau programme de séchage (voir Description du sèche-linge).

Le voyant « Vider l'eau » est allumé, mais le réservoir d'eau n'est pas plein.

- C'est normal. Le voyant « Vider l'eau » clignote quand le réservoir est plein. Si le voyant est allumé mais ne clignote pas, c'est simplement un rappel de vider le réservoir d'eau (voir Description du sèche-linge).

Le programme est terminé, mais le linge est plus humide que prévu.

- ! par mesure de sécurité, le sèche-linge a un temps maximum de programme de 4 heures. Si un programme automatique n'a pas détecté l'humidité finale requise dans le temps prévu, le sèche-linge terminera le programme et s'arrêtera. Vérifiez les points ci-dessus et lancez le programme à nouveau, si le linge est encore humide, contactez le Centre de service après-vente (voir Service après-vente).

Le code F est affiché à l'écran suivi d'un ou deux chiffres, les voyants des options et le voyant de la pause se mettent à clignoter.

- Le code F suivi d'un ou deux chiffres est affiché à l'écran éteignez l'appareil et débranchez la prise électrique. Nettoyez le filtre et le condenseur (voir Entretien). Rebranchez la prise électrique, mettez le sèche-linge en marche puis lancez un autre programme. Se le code F sont toujours affichés, contactez le Centre de Service après-vente (voir Service après-vente). Si d'autres codes sont affichés, notez-les et contactez le Centre de Service après-vente (voir Service après-vente).

L'afficheur visualise brièvement « dOn » toutes les 6 secondes.

- Le sèche-linge est en mode « Démo ». Appuyez simultanément sur les touches ON/OFF et MARCHE/PAUSE pendant 3 secondes. L'inscription « dOn » est affichée pendant 3 secondes, ensuite le sèche-linge recommence à fonctionner normalement.

Le temps restant change pendant le séchage.

- Le temps restant est contrôlé constamment pendant le cycle de séchage et est modifié au fur et à mesure pour afficher l'estimation la plus précise possible. Le temps affiché peut augmenter pendant le cycle ; cela est normal.

Le sèche-linge est bruyant durant les premières minutes d'utilisation.

- Cela est normal, surtout si le sèche-linge n'a pas été utilisé pendant une période de temps prolongée. Si le bruit persiste tout au long du cycle, appelez le SAV.

Les voyants situés sur le panneau de commande du sèche-linge sont éteints bien que celui-ci soit allumé.

- Le sèche-linge est passé en mode veille afin d'économiser de l'énergie. Cela se produit lorsque vous laissez le sèche-linge allumé ou bien après une panne de courant. Cela se produit au bout de 30 minutes :
 - si vous laissez le sèche-linge allumé sans lancer de programme ;
 - une fois que votre programme de séchage est terminé.Appuyez sur le bouton ON/OFF et maintenez-le enfoncé jusqu'à ce que le sèche-linge se remette en marche.

Avant d'appeler le Centre de Service après-vente :

- Suivez le guide d'aide à la résolution des problèmes pour voir si vous n'arrivez pas à résoudre le problème vous-même (voir *Problèmes et solutions*).
- Dans le cas contraire, éteignez votre sèche-linge et contactez le Centre de Service après-vente le plus proche.

Informations à communiquer au Centre de Service après-vente :

- Nom, adresse et code postal ;
 - numéro de téléphone ;
 - le type de panne ;
 - la date d'achat ;
 - le modèle de l'appareil (Mod.) ;
 - le numéro de série (S/N) du sèche-linge.
- Vous trouverez ces renseignements sur l'étiquette collée derrière la porte.

Informations pour le recyclage et la mise au rebut

Dans le cadre de notre engagement envers la protection de l'environnement, nous nous réservons le droit d'utiliser des pièces recyclées de qualité afin de réduire les coûts pour notre clientèle et de limiter les gaspillages de matières premières.

- Mise au rebut du matériel d'emballage : respectez les réglementations locales, de manière à ce que l'emballage puisse être recyclé.
- Pour éviter que des enfants se blessent, ôtez la porte et la prise et puis coupez le câble secteur au ras de l'appareil. Jetez ces pièces séparément de sorte que l'appareil ne puisse plus être branché sur une prise de secteur.

Mise au rebut des électroménagers usagés



La directive européenne 2012/19/CE sur les déchets d'équipements électriques et électroniques (DEEE), prévoit que les électroménagers ne peuvent pas être traités comme des déchets solides urbains normaux. Les appareils usagés doivent faire l'objet d'une collecte séparée pour optimiser le taux de récupération et de recyclage des matériaux qui les composent et empêcher tout danger pour la santé et pour l'environnement. Le symbole de la poubelle barrée est appliqué sur tous les produits pour rappeler qu'ils font l'objet d'une collecte sélective.

Pour tout autre renseignement sur la collecte des électroménagers usés, prière de s'adresser au service public préposé ou au vendeur.

Pièces détachées

Ce sèche-linge est un appareil complexe. Si vous tentez de le réparer vous-même ou si vous confiez cette tâche à une personne non qualifiée, vous risquez de mettre en danger la sécurité des personnes, d'endommager l'appareil et d'annuler la garantie sur les pièces.

En cas de problème d'utilisation de cet appareil, contactez toujours un technicien agréé.



Cet appareil est conforme aux Directives Européennes suivantes :

- 2006/95/CE (Directives Basse Tension) ;
- 2004/108/CE (Compatibilité Électromagnétique).


WÄSCHETROCKNER

DE

Deutsch

EDCE G45 B H

www.indesit.com

 Dieses Symbol erinnert Sie daran, das vorliegende Handbuch zu lesen.

! Bewahren Sie diese Gebrauchsanweisung immer in Nähe des Wäschetrockners auf, um sie bei jedem Bedarf leicht konsultieren zu können. Falls das Gerät verkauft oder an andere Personen übergeben wird, händigen Sie auch dieses Heft aus, um es so den neuen Besitzern zu ermöglichen, von den Hinweisen zum Gebrauch des Wäschetrockners Kenntnis zu nehmen.

! Lesen Sie bitte diese Hinweise aufmerksam durch: sie enthalten wichtige Hinweise zu Aufstellung und Anschluss und nützliche Empfehlungen zum Gerätebetrieb.

Inhaltsverzeichnis

Aufstellung, 34

Aufstellungsort des Wäschetrockners
Belüftung
Elektroanschluss
Allgemeine Informationen

Hinweise, 36

Allgemeine Sicherheit
Energiesparender Betrieb und Umweltschutz

Wartung und Pflege, 38

Abschalten vom Stromnetz
Reinigung des Flusensiebs nach jedem Trockenzyklus
Prüfung der Trommel nach jedem Trockenzyklus
Entleeren des Wasserauffangbehälters nach jedem Trockenzyklus
Reinigung der Kondensatoreinheit
Reinigung des Wäschetrockners

Beschreibung des Wäschetrockners, 40

Merkmale
Bedienblende

Durchführung eines Trockenprogramms, 42

Wahl und Start des Programms

Programme und Zusatzfunktionen, 43

Programmtabelle
Spezial-/Sport-/Teilprogramme
Optionen
Öffnung der Gerätetür

Wäsche, 46

Unterteilung der Wäsche
Etiketten mit Pflegehinweisen
Trockenzeiten

Fehlersuche, 47

Kundendienst, 48

Ersatzteile
Informationen zu Recycling und Entsorgung

DE

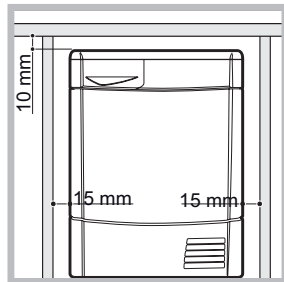
Aufstellung

DE

Aufstellungsort des Wäschetrockners

Übermäßige Hitze kann den Wäschetrockner schädigen; deshalb im Abstand von Gasherden, Öfen, Heizkörpern oder Kochfeldern platzieren.

Falls das Haushaltsgerät unter einem Arbeitstisch eingebaut werden soll, muss ein Freiraum von 10 mm zwischen der oberen Geräteplatte und anderen, darüber befindlichen Gegenständen vorgesehen werden, sowie 15 mm Freiraum zwischen den Seitenwänden des Geräts und den Wänden bzw. den angrenzenden Einrichtungsgegenständen. Nur auf diese Weise wird eine ausreichende Luftzirkulation gewährleistet. Das Gerät muss mit der Rückseite gegen eine Mauer installiert werden.



Belüftung

Während des Betriebs des Wäschetrockners muss eine ausreichende Belüftung vorhanden sein. Vergewissern Sie sich, dass der Trockner in einem trockenen, Raum aufgestellt wird, der über eine ausreichende Luftzirkulation verfügt. Nur eine ausreichende Luftzirkulation gewährleistet die einwandfreie Funktion des Trockners. Keinesfalls darf das Gerät in kleinen verschlossenen Räumen ausgestellt oder in Möbelteile integriert werden.

! Falls der Trockner in einem kleinen oder kalten Raum benutzt wird könnte Wasser auf dem Gerät kondensieren.

! Wir raten davon ab, den Trockner in einem Schrank aufzustellen; auf keinen Fall darf das Haushaltsgerät hinter einer abschließbaren Tür, einer Schiebetür oder einer Tür mit umgekehrtem Türanschlag platziert werden.

Wasserablauf

Falls das Gerät in der Nähe eines Ablaufschlauches aufgestellt wird, können Sie das Kondenswasser direkt abführen, ohne den Wasserauffangbehälter zu verwenden. In diesem Fall muss der Wasserauffangbehälter nicht nach jedem Trockenzyklus entleert werden.

Falls der Trockner über oder neben einer Waschmaschine positioniert wird, kann dieser Wasserablauf mitbenutzt werden. Es reicht aus, den in Abbildung A gezeigten Schlauch abzutrennen und an den Ablauf anzuschließen. Falls der Ablauf weiter entfernt ist als der Schlauch lang ist, können Sie zur Überbrückung einen Schlauch mit gleichem Durchmesser und der erforderlichen Länge kaufen und anschließen.

Dazu den neuen Schlauch wie in Abbildung B angegeben an der Stelle des vorherigen montieren.

! Der Ablauf darf maximal einen Meter oberhalb des trocknerbodens montiert werden.

! Nachdem der Wäschetrockner aufgestellt wurde, sicherstellen, dass der Ablaufschlauch nicht geknickt oder gekrümmt ist.

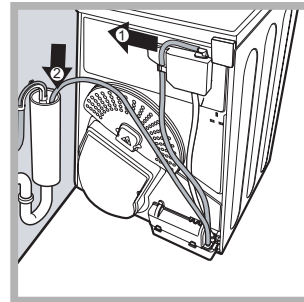


Abb. A

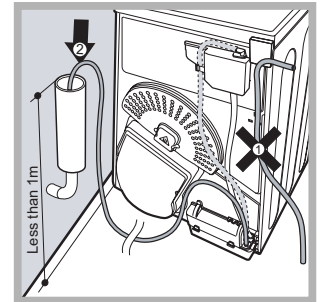


Abb. B

Elektroanschluss

Bevor Sie den Stecker in die Steckdose stecken, folgende Prüfungen ausführen:

- Vergewissern Sie sich, dass Ihre Hände trocken sind.
- Die Steckdose muss geerdet sein.
- Die Steckdose muss der maximalen Leistungsaufnahme des Geräts entsprechen, die auf dem Typenschild mit den Betriebsdaten angegeben ist (*siehe Beschreibung des Wäschetrockners*).
- Die Netzspannung muss den Werten entsprechen, die auf dem Typenschild mit den Betriebsdaten angegeben sind (*siehe Beschreibung des Wäschetrockners*).
- Die Steckdose muss mit dem Stecker des Wäschetrockners kompatibel sein. Sollte dies nicht der Fall sein, dann lassen Sie den Netzstecker oder die Steckdose austauschen.

! VERWENDEN SIE KEINE VERLÄNGERUNGEN.

! Der Trockner kann nicht in Außenräumen aufgestellt werden, auch wenn diese geschützt sind. Es können große Gefahrensituationen entstehen, wenn dieses Haushaltsgerät Regen oder Gewittern ausgesetzt wird.

! Nach der Aufstellung des Trockners müssen das Stromkabel und der Stecker zugänglich bleiben.

! Achten Sie darauf, dass das Stromkabel nicht geknickt oder gequetscht ist.

! Änderungen am Kabel oder am Stecker dürfen nur durch autorisiertes Fachpersonal vorgenommen werden.

! Das Stromkabel ist regelmäßig zu überprüfen. Sollte das Stromkabel beschädigt sein, muss es vom Hersteller, dessen Kundendienst oder von anderem, qualifizierten Fachpersonal ersetzt werden, um Gefahren zu vermeiden. (siehe Kundendienst). Neue oder längere Stromkabel werden von autorisierten Ersatzteihändlern kostenpflichtig zur Verfügung gestellt.

! Der Hersteller übernimmt keine Haftung, falls diese Vorschriften nicht eingehalten werden.

! Bei Fragen zur Aufstellung oder dem Anschluss ziehen Sie gegebenenfalls einen Elektrofachmann zu Rate.

Allgemeine Informationen


Reinigen Sie nach dem Aufstellen und vor der Inbetriebnahme des Trockners den Innenraum der Trommel, um eventuelle Verschmutzungen zu entfernen, die sich während des Transports angesammelt haben könnten.

Maximale Lademengen: 8 kg

Produktdaten - Vorschrift 932/2012.	
Marke	Indesit
Modell	EDCE G45 B H (EU)
Nennkapazität Baumwollwäsche für das "Standard-Baumwollprogramm" bei vollständiger Befüllung - kg	8.0
Dieser Haushaltswäschetrockner ist	Ein Kondens.
Energieeffizienzklasse (A+++ niedriger Verbrauch) bis D (hoher Verbrauch)	B
Der gewichtete jährliche Energieverbrauch (AEC)* Kwh 1)	560.0
Dieser Haushaltswäschetrockner ist	Automatisch
Energieverbrauch bei vollständiger Befüllung; Edry- kWh 2)	4.77
Standard-Baumwollprogramm: Energieverbrauch bei Teilbefüllung; Edry- kWh 2)	2.53
Leistungsaufnahme im Aus-Zustand (Po) - Watts	0.14
Leistungsaufnahme im unausgeschalteten Zustand (Pi) - Watts	2.39
Dauer des unausgeschalteten Zustandes für die Leistungssteuerung - Minuten	30
Gewichtete Programmdauer (Tt) bei vollständiger Befüllung und Teilbefüllung in Minuten 3)	104
Vollständige Befüllung (Tdry) - Minuten	139
Teilbefüllung* (Tdry½) - Minuten	78
Kondensationseffizienzklasse auf einer Skala von G (geringste Effizienz) bis A (höchste Effizienz)	B
Durchschnittliche Kondensationseffizienz - %	
Gewichtete (Ct) vollständige Befüllung und Teilbefüllung 3)	81
Vollständige Befüllung Cdr	82
Teilbefüllung Cdry½	80
Luftschallemissionen - dB(A) re 1 pW	68.0
1) Das "Standard-Baumwollprogramm" ist bei vollständiger Befüllung und Teilbefüllung das Standardtrocknungsprogramm, auf das sich die Informationen auf dem Etikett und im Datenblatt beziehen, dass dieses Programm zum Trocknen normaler nasser Baumwolltextilien geeignet und in Bezug auf den Energieverbrauch für Baumwolle am effizientesten ist.	
2) Jährlicher Energieverbrauch auf der Grundlage von 160 Trocknungszyklen für das Standard-Baumwollprogramm bei vollständiger Befüllung und Teilbefüllung sowie des Verbrauchs der Betriebsarten mit geringer Leistungsaufnahme. Der tatsächliche Energieverbrauch je Zyklus hängt von der Art der Nutzung des Geräts ab.	
3) In drei Zyklen bei voller Ladung und 4 Zyklen bei halber Ladung gemessenes Durchschnittsgewicht.	
Vorschrift 932/2012.	
Kunstfasern: energieverbrauch bei vollständiger Befüllung; kWh	1.41
Kunstfasern: vollständige Befüllung - Minuten	65
Kunstfasern: Teilbefüllung N/A	

! Dieses Haushaltsgerät wurde unter Beachtung der internationalen Sicherheitsnormen geplant und hergestellt. Die nachfolgenden Hinweise werden aus Sicherheitsgründen geliefert und sind aufmerksam zu beachten.

Allgemeine Sicherheit

- Dieser Wäschetrockner darf von Personen (einschließlich Kinder ab 8 Jahren) mit eingeschränkten körperlichen, geistigen oder sensorialen Fähigkeiten oder ohne ausreichende Erfahrung und Kenntnis verwendet werden, vorausgesetzt, sie werden durch eine für ihre Sicherheit verantwortliche Person beaufsichtigt und eingewiesen.
- Dieser Trockner wurde nur zum häuslichen Gebrauch und nicht für gewerbliche Zwecke geplant.
- Berühren Sie das Gerät nicht barfuß oder mit nassen Händen oder Füßen.
- Trennen Sie das Haushaltsgerät vom Stromnetz, indem Sie den Stecker und nicht das Kabel ziehen.
- Schalten Sie den Wäschetrockner nach dem Gebrauch aus und trennen Sie ihn vom Stromnetz ab. Halten Sie die Gerätetür geschlossen, um zu vermeiden, dass Kinder sie zum Spielen benutzen können.
- Kinder müssen beaufsichtigt werden, um sicherzustellen, dass sie nicht mit dem Wäschetrockner spielen.
- Wartung und Reinigung dürfen nicht von unbeaufsichtigten Kindern ausgeführt werden.
- Kinder unter 3 Jahren müssen von dem Wäschetrockner ferngehalten werden, wenn sie nicht ständig beaufsichtigt werden.
- Das Haushaltsgerät muss ordnungsgemäß aufgestellt werden und über eine angemessene Lüftung verfügen. Die Belüftungsöffnung auf der Vorderseite des Wäschetrockners und die Luftabzüge auf der Rückseite dürfen nicht verstopft sein (siehe Aufstellung).
- Benutzen Sie den Wäschetrockner nie auf einem Teppichboden, dessen Florhöhe die Luftzufuhr über die Unterseite des Geräts verhindert.
- Prüfen Sie, dass der Trockner leer ist, bevor Sie ihn füllen.
-  Die Rückseite des Wäschetrockners kann sehr warm werden: berühren Sie sie nie, wenn sich das Gerät in Betrieb befindet.
- Benutzen Sie den Wäschetrockner nicht, wenn das Flusensieb, der Wasserauffangbehälter und der Kondensator nicht korrekt positioniert sind (siehe Wartung).
- Überladen Sie den Trockner nicht (siehe Wäsche, maximale Füllmenge).
- Geben Sie keine völlig nassen Kleidungsstücke in das Gerät.
- Befolgen Sie aufmerksam alle auf den Etiketten der Kleidungsstücke angegebenen Hinweise zum Waschen der Teile (siehe Wäsche).
- Entfernen Sie alle Gegenstände aus den Taschen, besonders Feuerzeuge (Explosionsgefahr).
- Geben Sie keine besonders großvolumigen Teile in den Trockner.
- Trocknen Sie keine Kunstfasern bei hohen Temperaturen.
- Schalten Sie den Wäschetrockner nicht aus, wenn er noch warme Kleidungsstücke enthält.
- Reinigen Sie das Flusensieb nach jedem Gebrauch (siehe Wartung).
- Entleeren Sie den Wasserauffangbehälter nach jedem Gebrauch (siehe Wartung).
- Reinigen Sie regelmäßig die Kondensatoreinheit (siehe Wartung).
- Vermeiden Sie die Ansammlung von Flusen im Trockner.
- Steigen Sie nicht auf die obere Platte des Wäschetrockners, da das Gerät beschädigt werden könnte.
- Beachten Sie immer die Vorschriften und die elektrischen Eigenschaften des Geräts (siehe Aufstellung).
- Kaufen Sie immer Originalersatzteile und -zubehör (siehe Kundendienst).

Hinweise zur Minimierung des Brandrisikos im Wäschetrockner:

- Nur solche Artikel in den Trockner legen, die mit Waschmittel und Wasser gewaschen und danach gründlich gespült und geschleudert wurden. Artikel, die NICHT mit Wasser gewaschen wurden, stellen ein Brandrisiko dar.
- Keine Wäsche trocknen, die mit Chemikalien behandelt wurde.

- Keine Wäsche trocknen, die mit Gemüse- oder Speiseöl verschmutzt oder vollgesogen ist, da dies ein Brandrisiko darstellt. Mit Öl verschmutzte Wäschestücke können sich selbst entzünden, besonders, wenn sie einer Wärmequelle wie einem Wäschetrockner ausgesetzt werden. Die Wäschestücke werden erwärmt, was zu einer Oxidationsreaktion mit dem Öl führt wobei die Oxidation weitere Hitze erzeugt. Wenn die Hitze nicht entweichen kann, können die Wäschestücke so heiß werden, dass sie sich entzünden. Durch Aufsichten, Stapeln oder Übereinanderliegen von ölverschmutzten Wäschestücken kann die Wärme nicht entweichen und dies führt zu einem Brandrisiko.
Wenn unbedingt Wäsche, die mit Gemüse- oder Speiseöl oder mit Haarpflegeprodukten verunreinigt ist, im Wäschetrockner getrocknet werden muss, dann sollte sie zunächst mit besonders viel Waschmittel gewaschen werden - dies reduziert das Risiko, beseitigt es aber nicht. Sie sollte nicht aus dem Trockner entnommen und in heißem Zustand gestapelt bzw. übereinandergelegt werden.
- Keine Wäsche trocknen, die zuvor mit Benzin, chemischen Lösungsmitteln oder anderen brennbaren oder explosiven Substanzen gereinigt, gewaschen, eingeweicht oder verschmutzt worden ist. Leichtentzündliche Stoffe, die häufig im häuslichen Umfeld verwendet werden sind: Speiseöl, Aceton, Spiritus, Petroleum, Fleckenentferner, Terpentin, Wachse und Wachs-Entferner. Stellen Sie sicher, dass solche Wäschestücke in heißem Wasser mit einer zusätzlichen Menge an Waschmittel gewaschen worden sind, bevor sie im Trockner getrocknet werden.
- Im Trockner darf keine Wäsche getrocknet werden, die Schaumgummi (auch Latex-Schaum genannt) oder ähnlich strukturierte gummiartige Materialien enthalten. Schaumstoff-Materialien können, wenn sie erhitzt werden, durch Selbstentzündung Brände auslösen.
- Weichspüler oder ähnliche antistatische Produkte dürfen nicht in einem Wäschetrockner benutzt werden, es sei denn, die Verwendung ist vom Hersteller des Weichspüler-Produktes ausdrücklich

empfohlen.

- Keine Unterwäsche trocknen, die Metallverstärkungen enthält z.B. BHs, die mit Metalldrähten verstärkt sind. Dies kann Schäden am Wäschetrockner verursachen, wenn die Metallverstärkungen sich während des Trocknens lockern sollten.
- Keine Artikel aus Gummi, Kunststoff (z.B. Duschhauben oder Wickelunterlagen), Polyethylen oder Papier trocknen.
- Keine gummibeschichteten Artikel, Kleidung mit Schaumgummi-Pads, Kissen, Galoschen oder Gummi-Turn/Tennisschuhe trocknen.
- Leeren Sie komplett alle Taschen (Feuerzeuge, Streichhölzer, etc.).

! ACHTUNG: Schalten Sie den Trockner nie vor Beendigung des Trockenzyklus aus, es sei denn, die Teile werden schnell entfernt und aufgehängt, sodass sich die Wärme verteilen kann.

Energiesparender Betrieb und Umweltschutz

- Bevor Sie die Teile trocknen, diese auswringen, um soviel Wasser wie möglich zu entfernen (falls Sie zuvor die Waschmaschine benutzen, einen Schleuderzyklus wählen). Auf diese Weise wird Energie während des Trocknens eingespart.
- Wird der Wäschetrockner immer mit voller Wäschefüllung benutzt, wird ebenso Energie eingespart: einzelne Teile und kleine Füllmengen benötigen mehr Zeit zum Trocknen.
- Reinigen Sie das Flusensieb am Ende eines jeden Trockenzyklus, um die mit dem Energieverbrauch verbundenen Kosten gering zu halten (siehe Wartung).

Wartung und Pflege

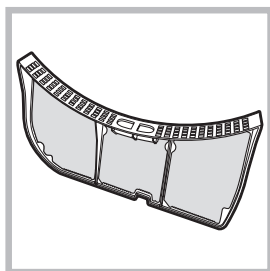
DE

Abschalten vom Stromnetz

! Trennen Sie den Wäschetrockner von der Stromversorgung, wenn er nicht in Betrieb ist sowie während Reinigungs- und Wartungsarbeiten.

Reinigung des Flusensiebs nach jedem Trockenzyklus

Das Flusensieb ist ein äußerst wichtiger Bestandteil des Trockners: seine Aufgabe besteht darin, Flocken und Flusen, die während des Trocknens entstehen, aufzusammeln.

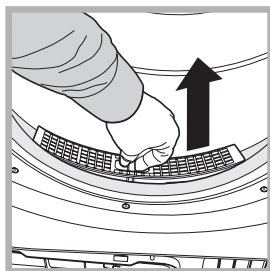


Bei Beendigung des Trockenvorgangs das Flusensieb immer unter fließendem Wasser spülen oder es mit dem Staubsauger reinigen. Falls das Flusensieb verstopft, wird der Luftstrom im Trockner stark beeinträchtigt:

die Trockenzeiten verlängern sich und es wird mehr Energie verbraucht. Außerdem kann der Wäschetrockner beschädigt werden.

Das Flusensieb befindet sich vor der Dichtung des Trockners (siehe Abbildung)

Entfernung des Flusensiebs:



1. Ziehen Sie den Kunststoffgriff des Flusensiebs nach oben (siehe Abbildung).
2. Reinigen Sie das Sieb von Flusen und setzen Sie es wieder ordnungsgemäß ein. Vergewissern Sie sich, dass das Sieb flächenbündig mit der

Dichtung des Trockners eingefügt wird.

! Benutzen Sie den Trockner nicht, bevor Sie nicht das Flusensieb wieder in die Aufnahme gesteckt haben.

Prüfung der Trommel nach jedem Trockenzyklus

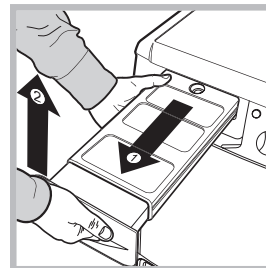
Drehen Sie die Trommel per Hand, um kleine Teile wie Taschentücher zu entfernen, die im Trockner geblieben sein könnten.

Reinigung der Trommel

! Zur Reinigung der Trommel keine Scheuermittel, Stahlwolle oder Reinigungsmittel für Edelstahl verwenden. Es könnte sich ein farbiger Belag auf der Edelstahltrommel bilden, verursacht durch eine Kombination von Wasser und

Reinigungsstoffen wie Wäscheweichmacher. Dieser farbige Belag hat keine Auswirkungen auf die Leistungen des Wäschetrockners.

Entleeren des Wasserauffangbehälters nach jedem Trockenzyklus



Nehmen Sie den Behälter aus dem Trockner und entleeren Sie ihn in einem Waschbecken oder einem anderen geeigneten Wasserabfluss; diesen anschließend wieder korrekt einsetzen.

Prüfen Sie immer den Wasserauffangbehälter und entleeren Sie diesen, bevor Sie ein neues Trockenprogramm starten.

Die ausbleibende Entleerung des Wasserauffangbehälters verursacht:

- Die Deaktivierung der Heizung (die Wäschefüllung könnte somit bei Beendigung des Trockenzyklus noch feucht sein).
- Die LED „Wasser leeren“ leuchtet auf und signalisiert, dass der Behälter voll ist.

Aufladen des Wasserauffangsystems

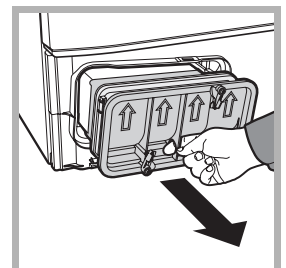
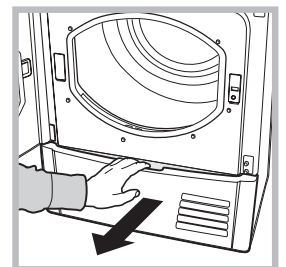
Wenn der Wäschetrockner neu ist, sammelt der Wasserauffangbehälter kein Wasser, solange das System nicht aufgeladen wird. Dieser Vorgang kann 1 oder 2 Trockenzyklen beanspruchen. Wurde das System aufgeladen, sammelt es bei jedem Trockenzyklus Wasser.

Reinigung der Kondensatoreinheit

- Entfernen Sie in regelmäßigen Abständen (jeden Monat) die Kondensatoreinheit und reinigen Sie eventuelle Flusenansammlungen auf den Platten; dazu den hinteren Teil des Kondensators unter dem Hahn mit kaltem Wasser abspülen.

Entfernung des Kondensators:

1. Den Trockner vom Stromnetz trennen und die Gerätetür öffnen.
2. Öffnen Sie den Kondensatordeckel (siehe Abbildung), lösen Sie die drei Haltevorrichtungen, indem Sie sie um 90° gegen den Uhrzeigersinn drehen und entnehmen Sie den Kondensator, indem Sie ihn am Griff ziehen.
3. Die Oberflächen der Dichtungen säubern und die Kondensatoreinheit mit nach oben



zeigenden Pfeilen wieder einsetzen; vergewissern Sie sich dabei, dass die Haltevorrichtungen gut befestigt wurden.

Reinigung des Wäschetrockners

- Die äußeren Metall- und Kunststoffteile sowie die Gummiteile können mit einem feuchten Tuch gereinigt werden.
- Periodisch (alle 6 Monate) mit dem Staubsauger das Gitter der Belüftungsöffnung auf der Vorderseite und die Luftabzüge auf der Rückseite reinigen, um eventuelle Flusen-, Flocken- und Staubansammlungen zu entfernen. Außerdem Flusenansammlungen auf der Vorderseite des Kondensators und den Flächen des Flusensiebs entfernen; dazu gelegentlich den Staubsauger benutzen.

! Vermeiden Sie den Einsatz von Löse- und Scheuermitteln.

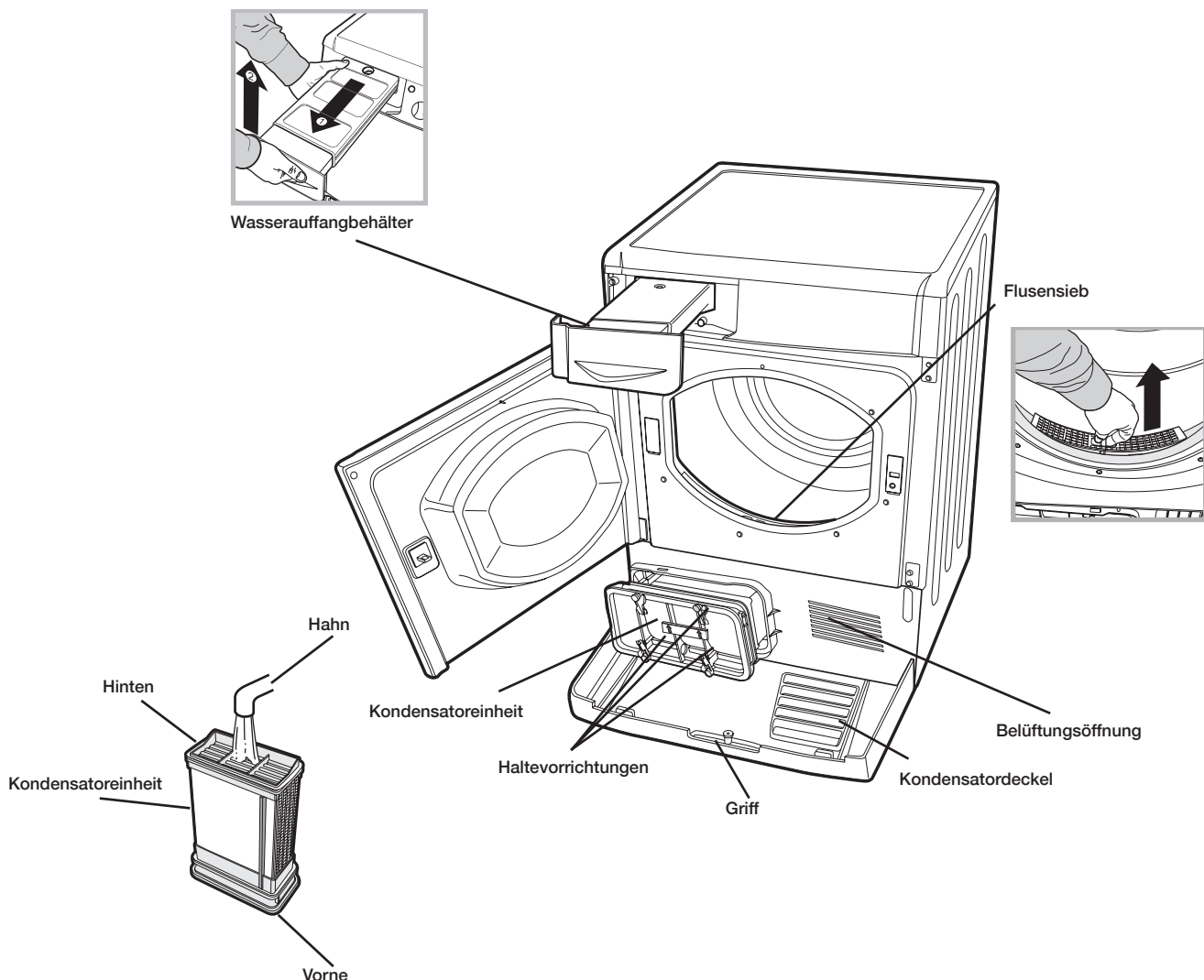
! Lassen Sie den Trockner regelmäßig von autorisierten Technikern überprüfen, um die Sicherheit der elektrischen und mechanischen Teile zu gewährleisten (siehe Kundendienst).

Kurzempfehlungen

! Denken Sie daran, den Türfilter und den Kondensatorfilter nach jedem Trockengang zu reinigen.

! Denken Sie daran, den Wasserbehälter nach jeder Füllung zu leeren.

! Auf diese Weise erhalten Sie die besten Leistungen!

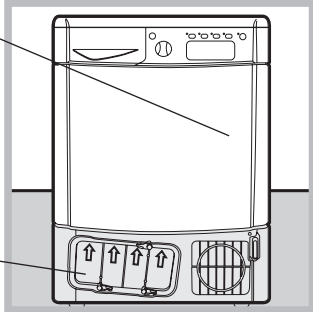


Beschreibung des Wäschetrockners

DE

Öffnung der Gerätetür

Gegen die Gerätetür drücken



Kondensatoreinheit (offener Deckel)

Merkmale

Wasserauffangbehälter

Typenschild mit Betriebsdaten

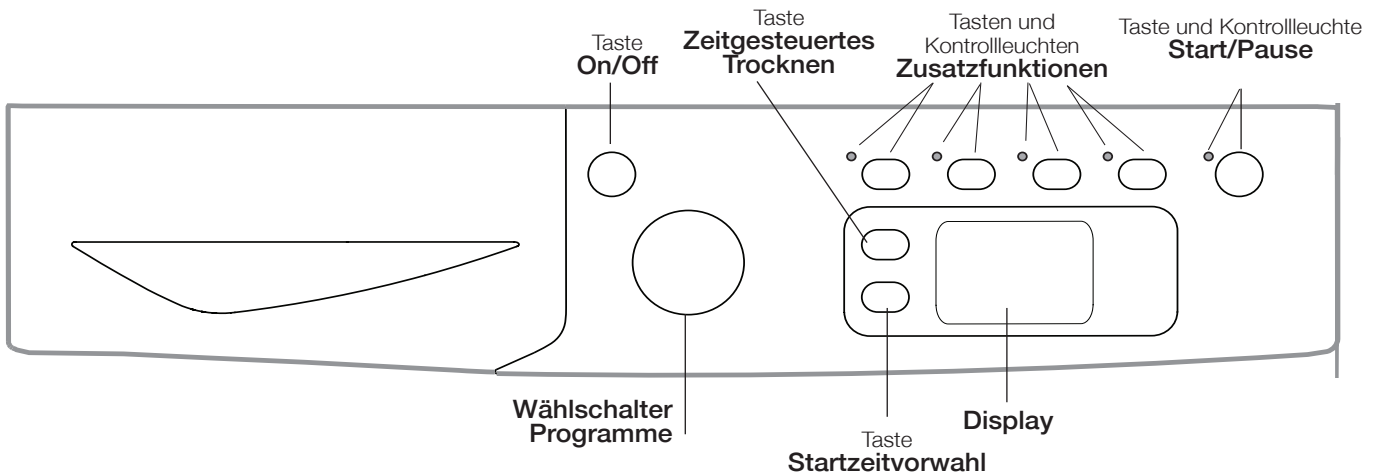
Flusensieb

Modell und Seriennummer

Gitter der Belüftungsöffnung

Griff des Kondensatordeckels (zum Öffnen ziehen)

Bedienblende



Taste ON/OFF/Reset

Mit einem normalen Druck der Taste wird das Gerät ein- oder ausgeschaltet. Läuft der Wäschetrockner, dann kann er durch längeres Drücken von etwa 3 Sekunden ausgeschaltet und der laufende Zyklus gelöscht werden.

Wählschalter Programme

Zur Einstellung der Programme: drehen Sie den Schalter, bis die Anzeige auf das gewünschte Programm zeigt (siehe *Start und Programmwahl*).

Tasten für Zusatzfunktionen

ermöglichen es, die verfügbaren Zusatzfunktionen für das gewählte Programm zu wählen. Die Kontrollleuchten schalten sich ein, um anzuzeigen, dass die Zusatzfunktion gewählt wurde (siehe *Programme und Zusatzprogramme*).

Taste und Kontrollleuchte START/PAUSE

Sobald die grüne Kontrollleuchte langsam blinkt, Start/Pause drücken, um das Programm zu beginnen. Nach dem Start des Trockenprogramms leuchtet diese Anzeige dauerhaft. Um das Programm zu unterbrechen, erneut die Taste drücken; die Kontrolllampe blinkt orangefarbig.

Um das Programm an dieser Stelle wieder fortzusetzen erneut die Taste drücken (siehe *Start und Programmwahl*).

Display

Im Abschnitt **A** wird die Restzeit für "Zeitgesteuertes Trocknen" angezeigt; sollte eine "Startvorwahl" eingestellt worden sein, wird die Restzeit bis zum Start des ausgewählten Programms angezeigt.

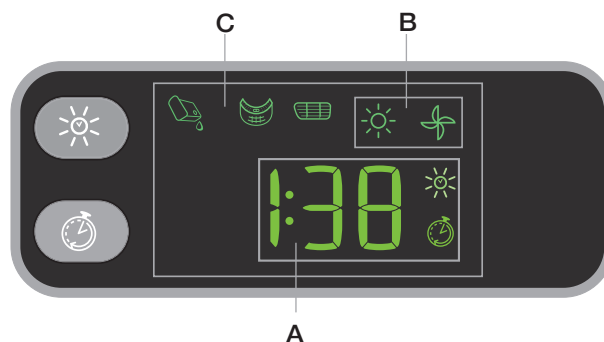
In diesem Abschnitt wird auch die Dauer des ausgewählten Programms angezeigt.

Im Abschnitt **B** wird die Phase des laufenden Programms angezeigt:

Anzeige Sonne ☀️: Trocknen

Anzeige Gebläse 🌀: Kaltluftzyklus

Im Abschnitt **C** die Wartungskontrollleuchten (Kontrollleuchte Behälter entleeren 🧴, Kontrollleuchte Flusensieb reinigen 🧼, Kontrollleuchte Kondensator reinigen 🧽, siehe *Kontrollleuchten*).



Kontrollleuchten

Die Kontrollleuchten signalisieren:

Die Kontrollleuchte "Behälter entleeren" 🧴 zeigt an, dass der Wasserauffangbehälter geleert werden muss.

Wenn der Behälter sich im Laufe des Programms füllt, schaltet sich die LED ein. Der Trockner startet automatisch den Kaltluftzyklus und die LED START/PAUSE blinkt bernsteinfarben. Um den Zyklus an der Stelle, an der er unterbrochen wurde, wieder zu starten, die Taste START/PAUSE drücken.

Deshalb, den Wasserauffangbehälter immer, nach jeder Nutzung des Trockners, entleeren (siehe *Wartung*).


Die Kontrollleuchte Flusensieb reinigen 🧼 erinnert Sie vor jedem neuen Programm daran, dass das Flusensieb unbedingt bei jeder neuen Nutzung des Trockners gesäubert werden muss (siehe *Wartung und Pflege*).

Die Kontrollleuchte Reinigung des Kondensators 🧽 erinnert daran, dass der Kondensator unbedingt in regelmäßigen Abständen gereinigt werden muss (siehe *Wartung und Pflege*).

Durchführung eines Trockenprogramms

DE

Wahl und Start des Programms

1. Stecken Sie den Stecker des Wäschetrockners in die Netzsteckdose.
2. Wählen Sie die Wäscheart aus (*siehe Wäsche*).
3. Öffnen Sie die Gerätetür und vergewissern Sie sich, dass das Flusensieb sauber und korrekt positioniert ist; der Wasserauffangbehälter muss leer sein und sich an seiner vorgesehenen Stelle befinden (*siehe Wartung*).
4. Füllen Sie das Gerät und achten Sie darauf, dass sich kein Kleidungsstück zwischen die Gerätetür und Dichtung gelangt. Schließen Sie die Tür.
5. Drücken Sie die Taste ON/OFF um das Gerät zu starten.
6. Drehen Sie den Programmwählschalter bis die Anzeige auf die gewünschte Stoffart anzeigt, nachdem Sie die Programmtabelle (*siehe Programme und Zusatzprogramme*) und die Angaben für jeden Stofftyp überprüft haben (*siehe Wäsche*).
! Achtung: Falls sich nach dem Drücken der Taste START/PAUSE die Position des Programmwählschalters verändert hat, ändert die neue Position NICHT das gewählte Programm. Zur Änderung des Programms drücken Sie die Taste START/PAUSE, um das Programm anzuhalten (die Kontrollleuchte blinkt orangefarben), wählen Sie das neue Programm und die entsprechenden Zusatzprogramme. Drücken Sie die Taste START/PAUSE, um das neue Trockenprogramm zu starten.
7. Zeitgesteuertes Trocknen indem Sie die entsprechende Taste drücken, bis die Trockenstufe oder die gewünschte Zeit erreicht wird (*siehe Programme und Zusatzprogramme*).
8. Falls erwünscht, geben Sie die Vorwahlzeit und die anderen Zusatzfunktionen ein (*siehe Programme und Zusatzprogramme*).
9. Falls Sie wünschen, dass der Summer das Programmende signalisiert, drücken Sie die Taste ALARM .
10. Zur Inbetriebnahme drücken Sie die Taste START/PAUSE. Auf dem Display wird die geschätzte Restzeit angezeigt. Während des Trockenprogramms können Sie die Wäsche überprüfen und Kleidungsstücke entfernen, die bereits trocken sind, während die anderen weiter getrocknet werden. Nachdem Sie die Tür geschlossen haben, drücken Sie START/PAUSE, um die Maschine erneut in Betrieb zu setzen.
Wenn Sie die Tür öffnen, um den Trockenzustand der Kleidung zu überprüfen, führt dies zu längeren Trockenzyklen, da der Kompressor des Kondensators fünf Minuten wartet, bevor er nach dem Schließen der Tür und dem Betätigen der Taste START/PAUSE den Betrieb wieder aufnimmt.
11. Während der letzten Minuten des Trockenprogramms, vor dem Programmende, geht das Gerät in die KALTTROCKENPHASE über (die Stoffe werden abgekühlt); es ist wichtig, dass diese Programmphase immer beendet wird.
12. Um Sie wissen zu lassen, dass Ihr Programm beendet ist, gibt der Buzzer 3 Beep-Töne von sich und auf dem Display erscheint **“End“** (Hinweis: wenn die ALARM-Option ausgewählt wurde, gibt der Buzzer 5 Minuten lang, alle 30 Sekunden, 3 Beep-Töne von sich). Öffnen Sie die Tür, entnehmen Sie die Wäsche, reinigen Sie das Flusensieb und setzen Sie es wieder ein. Entleeren Sie den Wasserauffangbehälter nach jedem Gebrauch und setzen Sie ihn wieder ein (*siehe Wartung*).
Falls Sie die Option Knitterschutz “Post-Care” gewählt haben und die Wäsche nicht sofort entfernt wird, werden die Kleidungsstücke - bis zu 10 Stunden oder bis die Gerätetür geöffnet wird - in regelmäßigen Abständen aufgelockert.
Wird die Wäsche am Ende des Zyklus nicht herausgenommen, läuft der **automatische Antiknitterzyklus** bei den Programmen mit dieser Funktion weiter, d.h. die Trommel dreht sich in den folgenden 10 Stunden immer wieder, um die Knitterbildung zu minimieren. Durch Öffnen der Tür oder Drücken der Taste ON/OFF stoppt der **Antiknitterzyklus**.

13. Trennen Sie den Trockner vom Stromnetz.

Automatische Antiknitterzyklus

Dies ist eine automatische Funktion, die eine Antiknitterbehandlung sowohl vor als auch nach dem Trocknungsprogramm durchführt. Durch regelmäßiges Drehen der Trommel vor dem Trocknungsprogramm, bei ausgewählter Startverzögerung, wird ein starkes Zerknittern der Wäsche verhindert. Bei einigen Programmen dreht die Trommel sich regelmäßig nach Beendigung des Trocknungszyklus. Diese Antiknitterfunktion läuft weiter, bis die Tür geöffnet oder die Taste **ON/OFF** gedrückt wird.

Funktion Standby

Zur Erfüllung der neuen Richtlinien zum Energieverbrauch ist dieser Wäschetrockner mit einem automatischen Ausschaltssystem (Standby) ausgestattet, das nach 30 Minuten des Nichtgebrauchs in Funktion tritt.

Drücken Sie die **ON/OFF**-Taste und halten Sie diese, bis der Trockner wieder aktiviert ist.

Programmtabelle

	Programm	Max. Last (kg)	Kompatible Optionen	Zyklusdauer	
Fast & Easy					
1	Schnell 45 Min	1	Memo - Tastensperre- Startzeitvorwahl.	Die Programmdauer kann auf dem Display abgelesen werden ³ .	
2	Easy mix	3	Memo - Tastensperre- Startzeitvorwahl.		
3	Knitterschutz	3	Memo - Tastensperre.		
4	Baumwolle Bügelleicht	Max.	Extra Care - Memo - Tastensperre- Zeitgesteuertes Trocknen - Startzeitvorwahl.		
5	Synthetik Bügelleicht	4	Memo - Tastensperre- Zeitgesteuertes Trocknen - Startzeitvorwahl.		
Standard					
6	Standard Baumwolle ²	Max.	Extra Care - Energy Saver ¹ - Memo - Tastensperre- Zeitgesteuertes Trocknen - Startzeitvorwahl.		
7	Baumwolle Trocken+	Max.	Memo - Tastensperre- Zeitgesteuertes Trocknen - Startzeitvorwahl.		
8	Synthetik	4	Energy Saver ¹ - Memo - Tastensperre- Zeitgesteuertes Trocknen - Startzeitvorwahl.		
9	Jeans	3	Memo - Tastensperre- Startzeitvorwahl.		
Spezialpflege					
10	Baby & Feines	2	Memo - Tastensperre- Zeitgesteuertes Trocknen - Startzeitvorwahl.		
11	Wolle	1	Memo - Tastensperre.		
12	Daunen	1,5	Memo - Tastensperre- Startzeitvorwahl.		
13	Fitnesskleidung	4	Memo - Tastensperre- Startzeitvorwahl.		
14	Spezial Schuhe	1 Paar	Memo - Tastensperre.		
Extras					
15	Falten Glätten	-	Memo - Tastensperre.		
16	Auffrischen	2,5	Memo - Tastensperre.		

Hinweis: 1 Bei dieser Option wird die maximale Füllmenge geändert. Beschreibung der Option nachsehen. 2 Dies ist das effizienteste Programm im Hinblick auf den Energieverbrauch (EU 392/2012). 3 Die Dauer dieser Programme ist von der Füllmenge, von der Arte des Gewebes, von der gewählten Schleudergeschwindigkeit und von allen gewählten Zusatzfunktionen abhängig.

Spezial-/Sport-/Teilprogramme

Schnell 35 Min

Ein rasches Zeit-Programm, ideal für das Trocknen von Geweben, die bereits bei Hochgeschwindigkeit in der Waschmaschine geschleudert wurden, beispielsweise die Hemden, die im Verlauf einer Arbeitswoche benutzt wurden.

Easy MIX

Dieses Programm ist ideal für das gleichzeitige Trocknen von Baumwoll- und Kunstfasergeweben bis auf eine Trocknungsstufe, die das Bügeln erleichtert.

Knitterschutz

Ein Programm für Kunst- und Mischfasern, die kein langes Bügeln erfordern.

Die Kleidungsstücke glattschütteln, bevor sie in den Trockner gegeben werden. Am Ende des Programms die Kleidungsstücke sofort herausnehmen und aufhängen.

Standard Baumwolle: Trocknungsstufe, die es ermöglicht, die Wäsche zu trocknen und sie direkt in den Schrank zu legen

Baumwolle Trocken+: Trocknungsstufe, die es ermöglicht, die höchste Trocknungsstufe zu erlangen. Sogar noch trockener, als bei Standard Baumwolle programm.

Programm Jeans


Dies ist ein Programm für Jeans aus Denim-Baumwolle. Vor dem Trocknen der Jeans die Hosentaschen umstülpen. Keine dunklen und hellen Kleidungsstücke miteinander vermischen. Kann auch für andere Kleidungsstücke aus dem gleichen Material verwendet werden, wie beispielsweise Jacken. Die mit dem Programm „extra“ getrockneten Kleidungsstücke können normalerweise unmittelbar angezogen werden, auch wenn die Nähte und Säume noch leicht feucht sind. In diesem Fall die Jeans wenden und das Programm nochmals kurz laufen lassen.

! Dieses Programm ist dagegen nicht zu empfehlen für Jeans mit Elastiksätzen, Nieten oder Stickereien.

Baby & Feines

Ein speziell für das Trocknen von Kleidung und Wäsche von Kleinkindern (Baumwolle und Chenille) und Feinwäsche ausgelegtes Programm. Keine Teile mit Kunststoffbeschichtung trocknen.

Programm Wolle

Dies ist ein Programm für Kleidungsstücke, die sich für das Trocknen in der Trommel eignen und mit dem Symbol  gekennzeichnet sind. Es kann für Füllungen bis zu **1 kg** verwendet werden (etwa 3 Pullover). Wir empfehlen, die Teile vor dem Trocknen auf links zu ziehen. Die mit diesem Programm getrockneten Teile können im Allgemeinen sofort getragen werden; bei einigen, etwas schwereren Kleidungsstücken könnten die Ränder jedoch noch leicht feucht sein. Lassen Sie diese natürlich trocknen, da ein weiterer Trocknungsvorgang die Teile beschädigen könnte.

! Im Gegensatz zu anderen Stoffen kann das Einlaufen von Wolle nicht rückgängig gemacht werden; somit nimmt das Kleidungsstück nicht wieder die ursprüngliche Größe und Form an.

! Dieses Programm eignet sich nicht für Teile aus Kunstfasern.

Daunen

Ein Zyklus, der eigens entwickelt wurde, um Feder- und Daunenjacken zu trocknen und ihnen ihre natürliche Weichheit zurückzugeben (2 Jacken).

Fitnesskleidung

Ein Programm zum Trocknen der kompletten Sportkleidung der ganze Familie (kurze Hose, Top, Hemden und Handtücher)

Programm Spezial Schuhe

Dieses Programm dient zum Trocknen eines Schuhpaares. Die Schuhe müssen gewaschen und bei einer Mindestgeschwindigkeit von **400 Umdrehungen** geschleudert worden sein.

Sie müssen mit der speziellen, mitgelieferten Schuhhalterung in das Gerät gelegt werden. Trocknet man Schuhe einfach lose in der Trommel, wird das Gerät beschädigt. Entfernen Sie das Flusensieb aus dem vorderen Bereich des Trockners und setzen Sie hier die Schuhhalterung ein.

Stecken Sie die Schuhbänder in die Schuhe und setzen Sie sie mit der Spitze nach unten und der Sohle nach vorne auf die Halterung.

Die Trockenzeiten hängen von Schuhform und -typ ab. Sollten die Schuhe bei Ablauf des Programms nicht ganz trocken sein, dann starten Sie es erneut.

! Trocknen Sie keine Schuhe mit Gelfüllung oder Blinklichtern. Trocknen Sie nur Schuhe aus synthetischem Material oder Stoff. Am Ende des Programms nehmen Sie die Schuhhalterung heraus und setzen das Flusensieb wieder ein.

Falten Glätten

Ein Kurzprogramm (etwa 10 Minuten), das die Fasern der Wäschestücke auflockert, um das Bügeln zu erleichtern.

Das Programm ist besonders für Baumwolle oder Baumwollgemisch geeignet.

Optimale Ergebnisse erzielen Sie, wenn Sie die Trommel nicht überladen (die nachfolgenden Werte beziehen sich auf das Gewicht der trockenen Teile):

Gewebe: Wäschekapazität voll nutzen - Baumwolle und Baumwollmischung: **2,5 kg** - Kunstfasern: **2 kg** - Jeans: **2 kg**

Den Trockner sofort nach Beendigung des Programms entleeren; die Kleidungsstücke aufhängen, falten oder bügeln und in den Schrank legen. Falls dies nicht möglich ist, das Programm wiederholen.

! Bügelleicht ist kein Trockenprogramm und kann somit nicht bei noch nassen Kleidungsstücken verwendet werden.

Die vom Programm Bügelleicht erzeugte Wirkung variiert von Stoff zu Stoff: die Eigenschaften von Stoffen wie Kunstfasern oder Tencel® zeigen andere Ergebnisse als traditionelle Stoffe (z.B. Baumwolle).

Auffrischen

Kurzprogramm zur Auffrischung der Fasern und Wäscheteile durch einen Frischluftstrom. Es dauert etwa **20 Minuten**.

! Es ist kein Trockenprogramm und kann somit nicht für nasse Kleidungsstücke verwendet werden.

Es kann mit jeder Ladungsgröße verwendet werden, ist jedoch effektiver bei kleineren Ladungen.

Optionen

Diese Zusatzfunktionen werden benutzt, um das gewählte Programm auf Ihre persönlichen Erfordernisse abzustimmen.

Zeitgesteuertes Trocknen

Nachdem Sie ein Programm gewählt haben, drücken Sie zur Wahl der Trockenzeit die Taste zeitgesteuertes Trocknen. Bei jedem einzelnen Drücken auf diese Taste wird die Dauer der gewählten Trockenzeit angezeigt. Beim ersten Drücken erscheint auf dem Display die maximal einstellbare Zeit für den ausgewählten Zyklus. Mit jedem weiteren Drücken reduziert sich die eingestellte Zeit bis hin zu **OFF**. Falls die Option zeitgesteuertes Trocknen nicht verfügbar ist, ertönen drei Signaltöne.

Startzeitvorwahl

Der Start von einigen Programmen (*siehe Start und Programme*) kann bis zu **24** Stunden vorgewählt werden. Die entsprechende Taste mehrfach drücken, bis die gewünschte Startzeit erreicht ist. Bevor Sie die Startvorwahl ausführen, sich vergewissern, dass der Wasserauffangbehälter leer und das Flusensieb sauber ist. Während dieser Zeit wird die Wäsche regelmäßig gedreht, um einem Zerknittern vorzubeugen.

Extra-Care

Eine Option, die für das Trocknen äußerst empfindlicher Kleidungsstücke geschaffen wurde. Bei Betätigung dieser Taste leuchtet die entsprechende Led auf und das Trocknen erfolgt bei geringeren Temperaturen. Bei Aktivierung dieser Funktion dauert das Programm länger. Diese Option ist für alle Zeitprogramme einstellbar.

Energy Saver

Eine Option, die zur Optimierung des Trocknens bei kleinen Füllmengen (Baumwolle max. 2 kg, Kunstfasern max. 1 kg) dient, um den Verbrauch und die Programmdauer zu minimieren.

Memo

Diese Option ermöglicht es, den Zyklus zu speichern oder die zuvor gespeicherten Optionen wieder abzurufen, ausgenommen der verzögerte Start.

- Das Speichern erfolgt, indem drei Sekunden lang die Taste Memo gedrückt wird, und kann sowohl während einer Pause als auch bei laufendem Zyklus durchgeführt werden. Sobald der gewünschte Zyklus und die entsprechenden Optionen ausgewählt wurden, kann das Speichern durchgeführt werden. Während einer längeren Betätigung der Taste Memo wird die LED dieser Option ebenso blinken wie die Zeit auf dem Display. Nach Ablauf der drei Sekunden weist ein akustisches Signal den Benutzer auf die erfolgte Speicherung hin.
- Um die Option wieder abzurufen, genügt es, den Trockner einzuschalten, die Taste Memo zu drücken und den Zyklus zu starten. Wie bei jedem Zyklus ist es auch hier möglich, die Optionen und Einstellungen zu ändern, sofern kein Kompatibilitätsproblem besteht. In Abständen von zwei Minuten wird auf dem Display die Nummer des abgerufenen Zyklus angezeigt. Falls kein Zyklus gespeichert wurde, weist ein akustisches und visuelles Zeichen darauf hin.
- Um ein neues Programm zu registrieren, muss einfach der Speichervorgang wiederholt werden.

Tastensperre

Einige Sekunden lang diese Taste gedrückt halten, nachdem das gewünschte Programm und die Optionen gewählt wurden. Wenn die Kontrolllampe leuchtet, sind die anderen Tasten und der Programmwähler gesperrt. Zum Lösen dieser Sperre die Taste gedrückt halten. Die ON/OFF-Taste schaltet die Maschine auch dann ab, wenn die Tastensperre aktiviert ist.

! Nicht alle Zusatzfunktionen sind für alle Programme verfügbar (*siehe Programme und Zusatzprogramme*). Falls eine Zusatzfunktion nicht verfügbar ist und dennoch die Taste gedrückt wird, ertönen drei Signaltöne.

Öffnung der Gerätetür

Wird die Gerätetür bei Programmablauf geöffnet (oder die Taste START/PAUSE gedrückt), schaltet sich der Trockner aus.

- Die Kontrollleuchte START/PAUSE blinkt orangefarben auf.
- Während der Pause wird die Restzeit bis zum Beginn des Programms weitergezählt. Es ist notwendig, die Taste START/PAUSE zu drücken, um das Startvorwahlprogramm wieder aufzunehmen. Die Kontrollleuchte der "Startvorwahl" blinkt und auf dem Display wird die Restzeit bis zum Start des ausgewählten Programms angezeigt.
- Es ist notwendig, die Taste START/PAUSE zu drücken, um das Programm wieder aufzunehmen. Die Anzeigenleuchten zeigen den Programmablauf an und die Kontrollleuchte START/PAUSE blinkt nicht sondern leuchtet grün.
- Während der Trocknungsphase Knitterschutz Post-Care wird das Programm beendet. Durch Drücken der Taste START/PAUSE wird ein neues Programm von Anfang an gestartet.
- Durch Drehen des Programmwählschalters wird ein neues Programm gewählt und die Kontrollleuchte START/PAUSE blinkt grün. Es ist beispielsweise möglich das Programm Kalttrocknung zu wählen, um die Kleidungsstücke abzukühlen. Drücken Sie die Taste START/PAUSE, um das neue Trockenprogramm zu starten.

Hinweis: Im Fall eines Stromausfalls schalten Sie das Gerät aus oder ziehen Sie den Stecker. Wenn wieder Strom vorhanden ist, stecken Sie das Gerät ein, drücken Sie die ON/OFF-Taste und halten Sie diese gedrückt, bis der Trockner wieder aktiviert ist, und drücken Sie anschließend die Start/Pause-Taste.

Wäsche

DE

Unterteilung der Wäsche

- Kontrollieren Sie die auf den Etiketten der verschiedenen Wäscheteile angeführten Symbole, um sicherzustellen, dass die Teile für einen Trommeltrockner geeignet sind.
- Die Wäsche nach Art der Stoffe unterteilen.
- Entleeren Sie alle Taschen und kontrollieren Sie die Knöpfe.
- Schließen Sie Reißverschlüsse und Haken und ziehen Sie Gürtel und Schnürriemen zu, ohne sie jedoch zu straffen.
- Wringen sie die Wäscheteile aus, um die größtmögliche Menge Wasser zu entfernen.

! Beladen Sie den Wäschetrockner nicht mit Teilen, die völlig voller Wasser sind.

Maximale Lademengen

Die Trommel nicht über das maximale Fassungsvermögen füllen. Die folgenden Werte beziehen sich auf das Gewicht der trockenen Kleidungsstücke:
 Naturfasern: max. 8 kg
 Kunstfasern: max. 4 kg

! Um die Leistungsfähigkeit des Wäschetrockners nicht zu beeinträchtigen, nicht überladen.

Etiketten mit Pflegehinweisen

Kontrollieren Sie die Etiketten der Kleidungsstücke, besonders wenn Sie diese zum ersten Mal in den Wäschetrockner geben. Nachfolgend führen wir die gebräuchlichsten Symbole an:

- Kann im Wäschetrockner getrocknet werden.
- Nicht im Wäschetrockner trockenbar.
- Bei hoher Temperatur trocknen.
- Bei niedriger Temperatur trocknen.

Trockenzeiten

Die angegebenen Zeiten sind lediglich Richtwerte und können auf der Basis folgender Faktoren variieren:

- In den Kleidungsstücken nach dem Schleudern verbliebene Wassermenge: Handtücher und Feinwäsche nehmen viel Wasser auf.
- Stoffe: Teile aus dem gleichen Stoff, aber mit verschiedener Stärke können unterschiedliche Trockenzeiten benötigen.
- Waschmenge: einzelne Teile und kleine Füllmengen können mehr Zeit zum Trocknen benötigen.
- Trocknen: Kleidungsstücke, die gebügelt werden müssen, können aus dem Gerät genommen werden, wenn sie noch etwas feucht sind. Teile, die vollkommen trocken sein müssen, können hingegen länger im Trockner bleiben.
- Eingestellte Temperatur.
- Raumtemperatur: je niedriger die Temperatur des Raums ist, indem sich der Wäschetrockner befindet, umso mehr Zeit wird zum Trocknen der Kleidungsstücke benötigt.
- Volumen: Großvolumige Teile erfordern eine besondere Behandlung während des Trockenvorgangs. Wir empfehlen, diese Teile herauszunehmen, zu schütteln und erneut in den Wäschetrockner zu geben: dieser Vorgang muss mehrmals während des Trockenzyklus wiederholt werden.

! Die Teile nicht übermäßig trocknen. Alle Stoffe enthalten natürliche Feuchtigkeit, die dazu dient, sie weich und luftig zu erhalten.

Die folgenden Trockenzeiten beziehen sich auf die automatischen Programme mit der Option „Schranktrocken“. Die Gewichte beziehen sich auf die trockenen Wäscheteile.

Trockenzeiten

Baumwolle Hohe Temperatur								
Trockenzeiten nach Waschvorgängen bei 800-1000 U/min								
	1 kg	2 kg	3 kg	4 kg	5 kg	6 kg	7 kg	8 kg
Automatikbetrieb (hrs:mins)	0:30 - 0:40	0:50 - 0:55	0:55 - 1:10	1:10 - 1:20	1:20 - 1:30	1:35 - 2:00	2:00 - 2:20	2:10 - 2:40
Zeitgesteuert (hrs:mins)	0:30 - 1:00	1:00 - 1:30	1:00 - 1:30	1:30 - 2:00	2:20 - 2:40	2:20 - 2:40	2:20 - 2:40	2:20 - 3:00
Kunstfasern Niedriger Temperatur								
Trockenzeiten nach Waschgängen bei geringeren Geschwindigkeiten								
	1 kg	2 kg	3 kg	4 kg				
Automatikbetrieb (hrs:mins)	0:30 - 0:40	0:40 - 0:50	0:50 - 1:10	0:70 - 1:30				
Zeitgesteuert (hrs:mins)	0:30 - 1:00	0:30 - 1:00	1:00 - 1:30	1:20 - 1:40				
Feinwäsche Niedriger Temperatur								
Trockenzeiten nach Waschgängen bei geringeren Geschwindigkeiten								
	1 kg	2 kg						
Zeitgesteuert (hrs:mins)	0:30	1:00						

Sollten Sie das Gefühl haben, dass Ihr Wäschetrockner nicht vorschriftsmäßig arbeitet, dann konsultieren Sie bitte die nachfolgende Tabelle, bevor Sie sich an ein Kundendienstzentrum (*siehe Kundendienst*) wenden.

Störung:

Mögliche Ursachen / Abhilfen:

Der Wäschetrockner setzt sich nicht in Betrieb.

- Der Netzstecker steckt nicht fest genug in der Steckdose, um den Kontakt herzustellen.
- Es besteht ein Stromausfall.
- Die Sicherung ist durchgebrannt. Versuchen Sie, ein anderes Haushaltsgerät an die gleiche Steckdose anzuschließen.
- Versuchen Sie, falls Sie eine Verlängerung benutzen, den Stecker des Wäschetrockners direkt in die Steckdose zu stecken.
- Die Gerätetür wurde nicht korrekt geschlossen.
- Das Programm wurde nicht korrekt eingestellt (*siehe Durchführung eines Trockenprogramms*).
- Die Taste START/PAUSE wurde nicht gedrückt (*siehe Durchführung eines Trockenprogramms*).
- Bei Maschinen mit "Gesperrt" Funktion kontrollieren, dass diese Option nicht aktiviert wurde (*siehe Programme und Zusatzprogramme*).

Der Trockenzyklus startet nicht.

- Es wurde eine Startvorwahl eingegeben (*siehe Programme und Zusatzprogramme*).
- Es wurde die Taste START/PAUSE gedrückt; vor dem effektiven Start des Trockners muss jedoch eine kurze Verzögerung abgewartet werden. Warten Sie den Anfang des Trockenzyklus ab und drücken Sie nicht erneut die Taste START/PAUSE: im gegenteiligen Fall geht der Trockner in den Pause-Modus über und startet den Trockenvorgang nicht.

Die Trockenzeiten sind lang.

- Das Flusensieb wurde nicht gereinigt (*siehe Wartung*).
- Muss der Wasserauffangbehälter entleert werden? Die Kontrollleuchte blinkt auf und zeigt die Nachricht "H2O" an (*siehe Wartung*).
- Der Wärmepumpenfilter muss gereinigt werden (*siehe Wartung*).
- Die eingestellte Temperatur eignet sich nicht für den zu trocknenden Stofftyp (*siehe Programme und Zusatzprogramme*).
- Es wurde nicht die korrekte Trockenzeit für diese Füllmenge gewählt (*siehe Wäsche*).
- Das Gitter der Belüftungsöffnung oder der Luftabzüge auf der Rückseite sind verstopft (*siehe Aufstellung, Wartung*).
- Die Kleidungsstücke sind zu nass (*siehe Wäsche*).
- Der Trockner wurde überfüllt (*siehe Wäsche*).

Die Kontrollleuchte "Behälter entleeren" blinkt auf, aber der Trockner ist erst seit kurzer Zeit in Betrieb.

- Der Wasserauffangbehälter wurde wahrscheinlich nicht vor dem Programmstart geleert. Warten Sie nicht das Signal zur Wasserentleerung ab, sondern kontrollieren Sie immer den Behälter und entleeren Sie ihn, bevor Sie ein neues Trockenprogramm starten (*siehe Beschreibung des Wäschetrockners*).

Die Kontrollleuchte "Behälter entleeren" ist eingeschaltet, aber der Wasserauffangbehälter ist nicht voll.

- Dies ist normal: Die Kontrolllampe „Behälter entleeren“ blinkt auf und teilt Ihnen mit, dass der Behälter voll ist. Ist die Kontrollleuchte eingeschaltet, blinkt aber nicht auf, erinnert sie Sie daran, den Wasserauffangbehälter zu entleeren (*siehe Beschreibung des Wäschetrockners*).

Bei Programmende sind die Kleidungsstücke feuchter als erwartet.

- ! Aus Sicherheitsgründen haben die Programme des Trockners eine maximale Dauer von 5 Stunden. Falls ein Automatikprogramm nicht die verlangte Feuchtigkeit in diesem Intervall ermitteln konnte, beendet der Trockner das Programm und schaltet sich aus. Prüfen Sie die oben angegebenen Punkte und wiederholen Sie das Programm; falls die Kleidungsstücke noch feucht sind, den Kundendienst kontaktieren (*siehe Kundendienst*).

Auf dem Display wird der Code F, gefolgt von einer oder zwei Zahlen, angezeigt und die Kontrollleuchten Zusatzfunktionen und Pause blinken auf.

- Zeigt das Display ein F gefolgt von einer oder mehreren Nummern, schalten Sie das Gerät aus, ziehen Sie den Stecker und reinigen Sie den Filter (*siehe Wartung*). Stecken Sie anschließend den Stecker wieder in die Steckdose und starten Sie den Trockner mit einem neuen Trockenprogramm. Wird die Meldung weiter angezeigt, dann notieren Sie sich die Nummer und setzen Sie sich mit dem Kundendienst in Verbindung (*siehe Kundendienst*) (*siehe Kundendienst*).

Auf dem Display wird kurz "dOn" (alle 6 Sekunden) eingeblendet.

- Der Trockner befindet sich im Modus „Demo“. Drücken Sie die Tasten ON/OFF und START/PAUSE für 3 Sekunden. Auf dem Display wird 3 Sekunden "dOn" angezeigt, anschließend nimmt der Trockner wieder seinen normalen Betrieb auf.

Die Restzeit ändert sich während des Trocknens.

- Die Restzeit wird während des Trockenzyklus konstant überwacht und variiert, um Ihnen einen möglichst genauen Schätzwert zu liefern. Die angezeigte Restzeit kann während des Trockenzyklus zunehmen; dies ist als normal anzusehen.

Der Trockner erzeugt im Verlauf der ersten Betriebsminuten Geräusche.

- Dies ist normal, vor allem, wenn der Trockner für eine gewisse Zeit nicht verwendet wurde. Sich mit dem Kundendienst in Verbindung setzen, wenn die Geräusche während des gesamten Zyklus auftreten.

Die Leuchten auf dem Steuerpaneel des Trockners sind aus, obwohl der Trockner eingeschaltet ist.

- Der Trockner befindet sich im Standby-Modus, um Strom zu sparen. Dies tritt ein, wenn Sie den Trockner laufen lassen oder wenn es einen Stromausfall gab. Dies tritt nach 30 Minuten ein,
- wenn Sie den Trockner einschalten, ohne ein Programm zu starten;

Kundendienst

DE

Bevor Sie den Kundendienst anfordern:

- Ziehen Sie bitte die Tabelle Fehlersuche zu Rate, um zu sehen, ob es sich nicht um eine Kleinigkeit handelt, die Sie selbst beheben können (*siehe Fehlersuche*).
- Ist dies nicht der Fall, dann schalten Sie das Gerät ab und wenden Sie sich an das nächstgelegene Kundendienstzentrum.

Geben Sie hierbei folgende Daten an:

- Name, Adresse und Postleitzahl;
 - Telefonnummer;
 - Art der Störung;
 - das Kaufdatum;
 - das Gerätemodell (Mod.);
 - die Seriennummer (S/N) des Wäschetrockners.
- Entnehmen Sie diese Daten bitte dem hinter der Gerätetür angebrachten Typenschild.

Informationen zu Recycling und Entsorgung

Im Rahmen unseres beständigen Einsatzes zum Umweltschutz verwenden wir recycelte Qualitätskomponenten, um die Kosten für den Kunden zu reduzieren und die Materialverschwendung auf ein Minimum zu reduzieren.

- Entsorgung der Verpackungsmaterialien: befolgen Sie die örtlichen Vorschriften, um das Recycling der Verpackung zu ermöglichen.
- Um die Unfallgefahr für Kinder zu reduzieren, die Gerätetür und den Stecker entfernen, anschließend das Stromkabel direkt am Gerät abschneiden. Entsorgen Sie diese Teile getrennt, um sicherzustellen, dass das Haushaltsgerät nicht mehr an eine Steckdose angeschlossen werden kann.

Entsorgung



Die europäische Richtlinie 2012/19/EG über Elektro- und Elektronik-Altgeräte (WEEE) schreibt vor, dass Haushaltsgeräte nicht mit dem normalen Müll zu entsorgen sind. Altgeräte sind zwecks Optimierung der Rückgewinnungs- und Recyclingrate der Gerätematerialien einer gesonderten Sammelstelle zuzuführen, um Schäden für die Gesundheit und die Umwelt zu verhüten.

Abfallmüllersymbol, das sich auf allen Produkten befindet, weist darauf hin, dass eine getrennte Entsorgung vorgeschrieben ist. Für weitere Informationen hinsichtlich der ordnungsgemäßen Entsorgung von Haushaltsgeräten wenden Sie sich bitte an Ihren Händler oder an die zuständige kommunale Stelle.

Ersatzteile

Bei Ihrem Wäschetrockner handelt es sich um ein komplexes Gerät. Eigenhändig oder durch unqualifiziertes Personal durchgeführte Reparaturen kann die Sicherheit von Personen gefährden, das Gerät beschädigen und den Verlust sämtlicher Ansprüche auf Ersatzteilgarantie bewirken. Wenden Sie sich demnach im Falle etwaiger Betriebsstörungen bitte stets an einen autorisierten Techniker.



Dieses Haushaltsgerät stimmt mit den folgenden EG-Richtlinien überein:

- 2006/95/EG (Niederspannungsrichtlinie);
- 2004/108/EG (elektromagnetische Verträglichkeit).


WASDROGER



Nederlands

EDCE G45 B H

www.indesit.com

 Dit symbool herinnert u eraan om deze gebruikshandleiding te lezen.

! Houd het boekje altijd bij de hand, om het gemakkelijk te kunnen raadplegen zovaak als nodig is.

Houd het boekje altijd dicht bij de wasdroger; als men het apparaat verkoopt of weggeeft, moet men zich herinneren om dit boekje ook erbij te geven, zodat de nieuwe bezitters kennis kunnen nemen van de waarschuwingen en hints voor het gebruik van de wasdroger.

! Lees zorgvuldig deze aanwijzingen: op de volgende pagina's vindt men belangrijk informatie over de installatie en nuttige wenken voor de werking van het toestel.

Inhoudsopgave

Installatie, 50

Waar men de wasdroger moet installeren
Ventilatie
Electrische aansluiting
Informatie vooraf

Waarschuwingen, 52

Algemene veiligheid
Energiebesparing en respect voor et milieu

Zorg en onderhoud, 54

Onderbreking van de electrische voeding
Reiniging van het filter na elke cyclus
Controle van het mandje na elke cyclus
Legen van het watervat na elke cyclus
Reiniging van de condensatie-eenheid
Reiniging van de wasdroger

Beschrijving van de wasdroger, 56

Eigenschappen
Bedieningspaneel

Hoe men de machine laat drogen, 58

Starten en kiezen van het programma

Programma's en opties, 59

Tabel van de programma's
Speciale programma's/Sport/Gedeeltelijk
Opties
Openen van het deurtje

De Was, 62

Sorteren van de was
Wasetiketten
Droogtijden

Problemen en oplossingen, 63

Service, 64

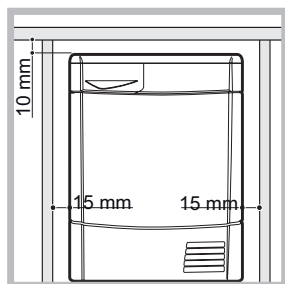
Reserveonderdelen
Belangrijke contactinformatie
Informatie betreffende recycling en afvalverwijdering

Installatie

NL

Waar men de wasdroger moet installeren

• Vlammen kunnen de wasdroger beschadigen, zet deze dus ver af van kookplaten, kachels, verwarmingen en dergelijke. Indien het toestel geïnstalleerd moet worden onder een bank, is het noodzakelijk om een ruimte van 10 mm vrij te laten tussen het bovenste paneel van het apparaat en andere voorwerpen hierboven, ook moet er 15 mm vrije ruimte zijn tussen de zijkanten van het apparaat en de wanden of meubels ernaast. Op deze manier is men er zeker van dat er voldoende luchtcirculatie is. Het apparaat moet met de achterwand tegen een muur aan worden geïnstalleerd.



Ventilatie

• Wanneer de wasdroger is ingeschakeld, moet er voldoende luchtventilatie zijn. Zorg ervoor dat de wasdroger niet in een vochtige omgeving wordt gezet en dat de lucht hierin voldoende wordt ververst. Het is van fundamenteel belang dat de lucht rondom de wasdroger kan bewegen, anders kan het water tijdens het drogen niet condenseren; de wasdroger doet het dus niet goed in een gesloten ruimte, of binnenin een meubel.

! Indien de wasdroger in een kleine of koude kamer wordt gebruikt is het mogelijk dat zich condens vormt.

! Het is niet aan te raden om de wasdroger in een kast te installeren; het toestel mag nooit worden geïnstalleerd achter een deur die met sleutel kan worden gesloten, een schuifdeur of een deur met de scharnieren aan de andere kant ten opzichte van het deurtje van de wasdroger.

Afvoer van het water

Indien de machine dichtbij een afvoerleiding wordt geplaatst, kan men het condenswater hierdoor afvoeren en hoeft men het watervat niet te gebruiken. In dit geval hoeft men dit watervat dus niet na elke cyclus te legen.

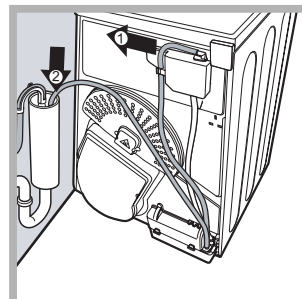
Indien de wasdroger boven of naast een wasmachine staat, kunnen ze dezelfde afvoer gebruiken. Het is voldoende als men de slang in afbeelding A losmaakt en op de afvoer aansluit.

Indien de slang niet bij de afvoer komt, kan men een slang met dezelfde diameter aanschaffen om de afstand te overbruggen.

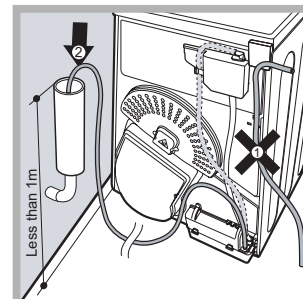
Om deze nieuwe slang te installeren is het voldoende om de bestaande te vervangen, zoals aangegeven in de afbeelding B en deze op dezelfde plaats in te steken.

! De afvoer moet zich 1 m lager bevinden dan de bodem van de wasdroger.

! Na dat men de wasdroger heeft geïnstalleerd, moet men controleren dat de afvoerslang niet gevouwen of vervormd is.



Afb. A



Afb. B

Electrische aansluiting

Voordat men de stekker in de elektrische contactdoos steekt moet men het volgende controleren:

- Dat uw handen droog zijn.
- De stekker is voorzien van een aardaansluiting.
- De contactdoos moet het maximale vermogen van de machine kunnen verdragen, men vindt deze aanwijzing op het typeplaatje met de technische gegevens (zie *Beschrijving van de wasdroger*).
- De voedingsspanning moet in het bereik liggen, dat is aangegeven op het typeplaatje met de technische gegevens (zie *Beschrijving van de wasdroger*).
- De contactdoos moet geschikt zijn voor het type stekker van de wasdroger. Anders moet men de contactdoos of de stekker vervangen.

! GEBRUIK GEEN VERLENGSNOEREN.

! De wasdroger mag niet buiten worden geïnstalleerd, zelfs als deze afgedekt is. Het kan inderdaad zeer gevaarlijk zijn om deze huishoudelijke apparaten bloot te stellen aan regen en onweer.

! Na installatie van de wasdroger moeten de elektrische kabel en de stekker onder handbereik blijven.

! De elektrische kabel mag niet gevouwen of platgedrukt worden.

! Als de te vervangen steker aan het snoer gegoten is, moet men deze op een veilige manier onbruikbaar maken en ontzorgen. Laat hem dus NIET achter, anders zou iemand hem in een contactdoos kunnen steken en een elektrische schok veroorzaken.

! De elektrische kabel moet regelmatig worden gecontroleerd. Als de voedingskabel beschadigd is, moet hij, teneinde gevaarlijk situaties te voorkomen, worden vervangen, ofwel door de fabrikant, of door de servicedienst of door een andere gekwalificeerde monteur. (zie Service). De nieuwe of langere elektrische kabels worden door bevoegde dealers geleverde tegen betaling.

! De fabrikant aanvaardt geen enkele aansprakelijkheid indien men zich niet aan deze regels houdt.

! In geval van twijfel over het bovenstaande wordt men verzocht contact op te nemen met een gekwalificeerde electricien.

Informatie vooraf

Heeft men de wasdroger geïnstalleerd, dan moet men hem eerst schoonmaken (vanwege het transport), de droogtrommel van binnen reinigen en dan pas in gebruik nemen.

Maximaal laadvermogen: 8 kg

Produkt Information - Voorschrift 392/2012.	
Merk	Indesit
Model	EDCE G45 B H (EU)
Geschatte capaciteit voor katoenen wasgoed voor het "standaard katoenprogramma" bij volle lading - kg	8.0
Deze huishoudelijke droger is	Condens.
Energie-efficiëntieklasse op een schaal van A+++ (laag gebruik) tot D (hoog gebruik)	B
Gemiddeld jaarlijks energieverbruik (AEC)* Kwh 1)	560.0
Deze huishoudelijke droger is een	Automatisch
Energieverbruik bij volle lading: Edry-kWh 2)	4.77
Energieverbruik bij gedeeltelijke lading: Edry1/2,-kWh 2)	2.53
Stroomverbruik: off modus (Po) - Watts	0.14
Stroomverbruik: modus aan (Pi) - Watts	2.39
Duur van de 'modus aan' voor stroommanagementsysteem - minuten	30
Progr. Tijd - gemiddeld (Tt) volle en gedeeltelijke lading - minuten 3)	104
Volle lading (Tdry) - minuten	139
Gedeeltelijke lading (Tdry1/2) - minuten	78
Condensatie efficiëntieklasse op een schaal van G (minst efficiënt) tot A (meest efficiënt)	B
Gemiddelde condensatie efficiëntie - %	
gemiddelde (Ct) volle en gedeeltelijke lading 3)	81
volle lading Cdr	82
gedeeltelijke lading Cdry1/2	80
Luchtgedragen akoestische geluidsemissies - dB(A) re 1 pW	68.0
1) Het "standaard katoenprogramma" met een volle en gedeeltelijke lading en het "standaard katoenprogramma" met een gedeeltelijke lading zijn de standaard programma's waarop de informatie op het etiket en op de kaart betrekking heeft. Deze programma's zijn geschikt voor het kastdroog (0%) maken van katoenen wasgoed en zijn de meest efficiënte programma's v.w.b. het energieverbruik. De gedeeltelijke lading is de helft van de nominale lading.	
2) Verbruik per jaar is gebaseerd op 160 droogcycli van het standaard katoenprogramma bij volle en gedeeltelijke lading, en het verbruik bij laagstroom modus. Daadwerkelijk energieverbruik per cyclus zal afhangen van hoe het apparaat wordt gebruikt.	
3) Gemiddeld gewicht van 3 cycli met volle lading en 4 cycli met halve lading.	
Voorschrift 932/2012.	
Synthetisch: Energieverbruik bij volle lading: kWh	1.41
Synthetisch: Volle lading - minuten	65
Synthetisch: Gedeeltelijke lading N/A	

Waarschuwingen

NL

! Dit apparaat is ontworpen en uitgevoerd volgens de geldende internationale veiligheidsnormen. Deze aanwijzingen zijn voor uw eigen veiligheid geschreven en moeten aandachtig worden doorgenomen.

Algemene veiligheid

- Deze droger mag niet worden gebruikt door personen (kinderen van 8 jaar en ouder inbegrepen) met beperkte fysieke, gevoels- of mentale capaciteit, of zonder ervaring of kennis, tenzij ze onder toezicht staan of aanwijzingen ontvangen over het gebruik van het toestel van personen die verantwoordelijk zijn voor hun veiligheid.
- Deze droger is ontwikkeld voor niet professioneel huishoudelijk gebruik.
- Raak het apparaat niet aan als u blootsvoets bent of met natte handen of voeten.
- Schakel het apparaat los van het elektriciteitsnet door aan de stekker zelf te trekken en niet aan de kabel.
- Doe de droger na het gebruik uit en schakel hem los van het elektriciteitsnet. Houd de deur dicht om te voorkomen dat kinderen met de droger spelen.
- Let goed op kinderen om te voorkomen dat ze met de droger spelen.
- Onderhoud en reiniging mogen niet worden uitgevoerd door kinderen zonder supervisie.
- Kinderen van 3 jaar of minder mogen niet dicht bij de droger komen, tenzij onder constant toezicht.
- Het apparaat moet juist geïnstalleerd worden en moet goed geventileerd zijn. De luchttoevoer op de voorzijde van de droger en de luchtroosters aan de achterzijde mogen nooit worden bedekt (zie Installatie).
- Gebruik de droger nooit op een vloerbedekking als de hoogte van de haren belemmert dat er lucht wordt toegevoerd via de onderzijde van de droger.
- Controleer of de droger leeg is voordat u hem inlaadt.
-  De achterzijde van de droger kan erg heet worden: raak hem nooit aan als het apparaat in werking is.
- Gebruik de droger niet als het filter, het waterreservoir en de Warmtepomp niet goed op hun plaats zitten (zie Onderhoud).
- Doe niet teveel wasgoed in de droger (zie Wasgoed voor maximaal laadvermogen).

- Doe geen drijfnatte was in de droger.
- Volg altijd aandachtig de was- en drooginstructies op de etiketten van de kledingstukken (zie Wasgoed).
- Doe geen overmatig grote kledingstukken in de droger.
- Droog geen acrylvezels op hoge temperatuur.
- Schakel de droger niet uit als er nog warm wasgoed in zit.
- Reinig het filter na elk gebruik (zie Onderhoud en verzorging).
- Leeg het waterreservoir na elk gebruik (zie Onderhoud).
- Reinig regelmatig de Warmtepomp (zie Onderhoud).
- Vermijd het ophopen van pluus rondom de droger.
- Ga niet op het bovenpaneel van de droger staan omdat u het apparaat zou kunnen beschadigen.
- Respecteer altijd de normen en de elektrische eigenschappen (zie Installatie).
- Koop altijd originele accessoires en reserveonderdelen (zie Service).

Om het risico op brandontwikkeling in uw droogautomaat te minimaliseren, moeten de volgende instructies in acht worden genomen:

- Droog alleen artikelen in de droogautomaat die gewassen zijn met wasmiddel en water en die vervolgens zijn afgespoeld en gecentrifugeerd. Het drogen van artikelen die NIET met water zijn gewassen kan brandgevaar opleveren.
- Droog geen kleding die behandeld is met chemische middelen.
- Stop geen items in de droogautomaat die zijn bemorst of doordrenkt met plantaardige olie of slaolie, aangezien dit risico's op brandontwikkeling teweegbrengt. Oliebevattende items kunnen spontaan ontbranden, in het bijzonder wanneer ze worden blootgesteld aan hittebronnen zoals een droogautomaat. De items worden warm, wat een oxidatiereactie met de olie veroorzaakt. Door oxidatie ontstaat hitte. Als de hitte niet kan ontsnappen, kunnen de items zo warm worden dat ze vuur vatten. Het opeenstapelen of opbergen van oliebevattende items kan ertoe leiden dat

de hitte niet kan ontsnappen waardoor er een risico op brandontwikkeling ontstaat. Als het onvermijdelijk is dat stoffen die plantaardige olie of slaolie bevatten of die vervuild zijn met haarverzorgingsproducten, in een droogautomaat worden geplaatst, moeten ze eerst worden gewassen met extra wasmiddel – dit zal het risico verminderen maar niet volledig elimineren. De items mogen niet uit de droogautomaat worden gehaald en opeengestapeld wanneer ze nog warm zijn.

- Droog geen items die voordien zijn gereinigd in, zijn gewassen in, zijn doordrenkt met of zijn vervuild met petroleum/benzine, solventen voor chemische reiniging of andere ontvlambare of explosieve substanties. Erg ontvlambare stoffen die vaak worden gebruikt in huishoudelijke omgevingen, waaronder slaolie, aceton, gedenatureerde alcohol, kerosine, vlekverwijderaars, terpentijn, was en wasverwijderaars. Zorg ervoor dat deze items zijn gewassen in warm water met een extra hoeveelheid wasmiddel alvorens ze worden gedroogd in de droogautomaat.
- Droog geen items die schuimrubber of gelijkaardige rubberachtige materialen met dezelfde structuur bevatten. Schuimrubbermaterialen kunnen, wanneer ze worden verwarmd, vuur produceren door spontane ontbranding.
- Wasverzachter of gelijkaardige producten mogen niet worden gebruikt in een droogautomaat om statische elektriciteit te voorkomen, tenzij de praktijk specifiek wordt aanbevolen door de fabrikant van de wasverzachter.
- Droog geen ondergoed dat metalen verstevigingen bevat, zoals beha's met metalen beugels. Wanneer de metalen beugels loskomen tijdens het drogen, kan de droogautomaat worden beschadigd.
- Droog geen rubber, plastic items zoals douchekapjes of waterdichte hoezen voor babies, polyethyleen of papier.
- Droog geen items met een rubberen achterkant, kledij met schuimrubberen vulkussentjes, kussens, overschoenen en tennisschoenen met rubberen coating.

- Verwijder alle voorwerpen, zoals aanstekers en lucifers, uit de zakken.

! BELANGRIJK: stop de droger nooit voor het einde van de droogcyclus, tenzij u alle kledingstukken snel verwijdert en ophangt zodat de warmte wordt verdreven.

Energiebesparing en respect voor het milieu

- Voor u de kledingstukken droogt kunt u ze beter goed uitwringen om zoveel mogelijk water te verwijderen (als het wasgoed uit de wasautomaat komt kunt u de centrifuge gebruiken). Op deze manier bespaart u energie tijdens het drogen.
- Als u de droger altijd met volle lading gebruikt bespaart u energie: enkele kledingstukken en kleine ladingen doen er langer over om te drogen.
- Reinig het filter aan het einde van elke cyclus zodat de kosten van energie kunnen worden beperkt (zie Onderhoud) .

Zorg en onderhoud

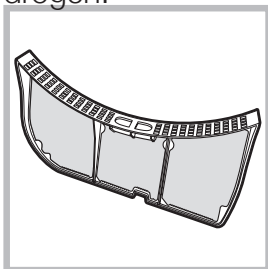
NL

Onderbreking van de elektrische voeding

! Maak de wasdroger los van het net als deze niet werkt of als men bezig is met de reiniging of het onderhoud.

Reiniging van het filter na elke cyclus

Het filter is van fundamentele betekenis bij het drogen: het dient voor het verzamelen van de stof, dat zich vormt tijdens het drogen.

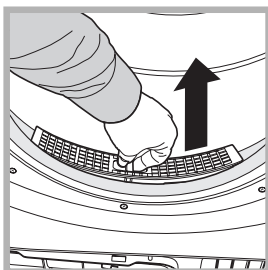


Na afloop van de droging moet men het filter dus reinigen door het onder stromend water af te spoelen, of met een stofzuiger. Een vol filter belemmert de luchtstroming in de wasdroger met

ernstige gevolgen voor: de droogtijd en het energieverbruik. Ook kan de wasdroger schade oplopen

Het filter bevindt zich vóór de afdichting van de wasdroger (zie afbeelding).

Verwijdering van het filter:



1. Trek het filter aan de plastic handgreep omhoog (zie afbeelding).
2. Reinig het filter en zet het op de juiste manier weer terug. Controleer dat het filter helemaal erin zit: het moet opgelijnd zijn met de afdichting van de

wasdroger.

! Gebruik de wasdroger niet zonder eerst het filter op zijn plaats te hebben terug gezet.

Controle van het mandje na elke cyclus

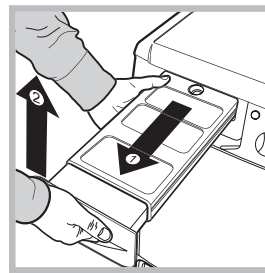
Draai met de hand de trommel rond om te controleren of er nog (kleine) stukken inzitten, zoals zakdoeken.

Reiniging van de trommel

! Voor de reiniging van de trommel mag men geen schuurmiddelen, staalwol of schoonmaakmiddelen voor inox gebruiken.

Anders kan er zich een gekleurd laagje op de trommel vormen, dit kan komen door een reactie tussen water en/of reinigingsmiddelen, zoals wasverzachter. Dit gekleurde laagje heeft geen enkele invloed op de prestaties van de wasdroger.

Legen van het watervat na elke cyclus



Haal het waterverzamelvatje uit de wasdroger en leeg het in een wasbak of iets dergelijks, daarna moet men het weer op de juiste manier terugzetten. Controleer altijd dit vaatje en leeg het voordat men een nieuw droogprogramma opstart.

Het gevolg van het niet legen van het watervat kan zijn:

- De uitschakeling van de verwarming van de machine (de was kan nog vochtig zijn aan het einde van de droogcyclus).
- De led "Vaasje legen" zal aangaan, om aan te geven dat dit vaatje vol is.

Vullen van het verzamelsysteem voor water

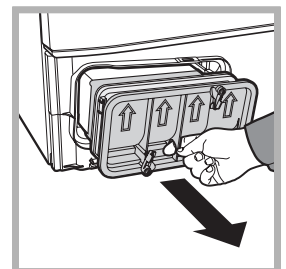
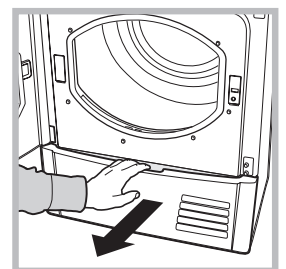
Wanneer de wasdroger nog nieuw is, zal het watervaatje geen water verzamelen, omdat deze eerst gevuld moet worden. Deze handeling kan nodig zijn voor 1 of 2 droogcycli. Als het eenmaal vol is, zal het systeem elke cyclus water verzamelen.

Reiniging van de condensatie-eenheid

- Verwijder regelmatig (elke maand) de condensatie-eenheid en reinig eventuele stof van de platen door de achterkant van de condensator onder een kraan met koud water af te spoelen.

Verwijderen van de condensator:

1. Haal de wasdroger van het elektrische net af en open het deurtje.
2. Open het deksel van de condensator (zie afbeelding), maak de drie hendels los door ze 90° tegen de klok in te draaien, daarna de condensator aan de handgreep eruit trekken.
3. Reinig het oppervlak van de afdichtingen en zet de eenheid met de pijlen naar boven, controleer dat de hendeltjes weer goed zijn vastgemaakt.



Reiniging van de wasdroger

- De externe metalen, rubber en plastic delen kunnen met een vochtige doek worden schoongemaakt.
- Elke 6 maanden moet men met een stofzuiger het luchtinlaatrooster aan de voorkant en de luchtuitlaten aan de achterkant van de wasdroger schoonmaken om stof te verwijderen. Bovendien moet men met een stofzuiger de stof aan de voorkant van de condensator en het filter verwijderen.

! Gebruik geen oplosmiddelen of schuurmiddelen

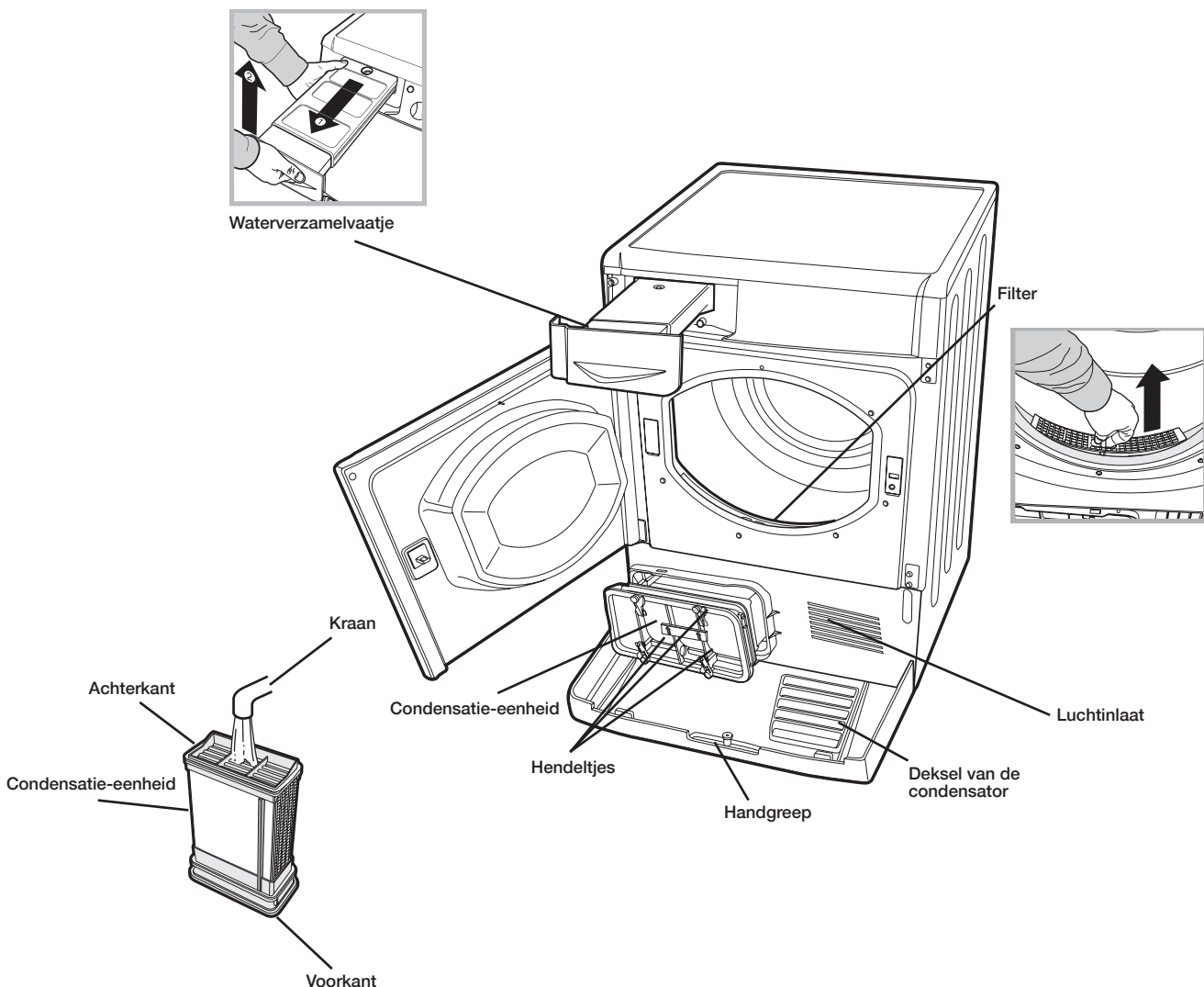
! Laat de wasdroger regelmatig controleren door bevoegd technisch personeel, zodat de veiligheid van de elektrische en mechanische onderdelen kan worden gegarandeerd (zie Service).

Kort advies

! Vergeet niet het filter van de deur te reinigen en het filter van de condensator na elke droogcyclus.

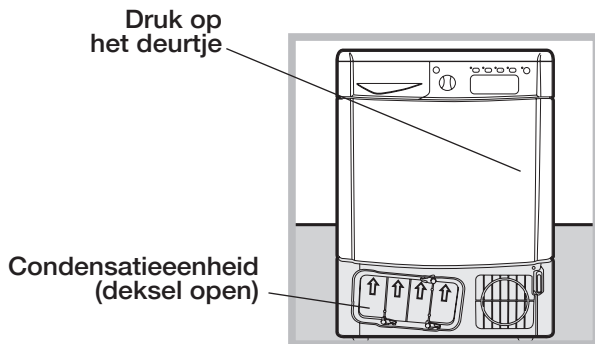
! Vergeet niet het waterreservoir te legen na elke droogcyclus.

! Op deze manier, zult u altijd de maximale prestaties bereiken!

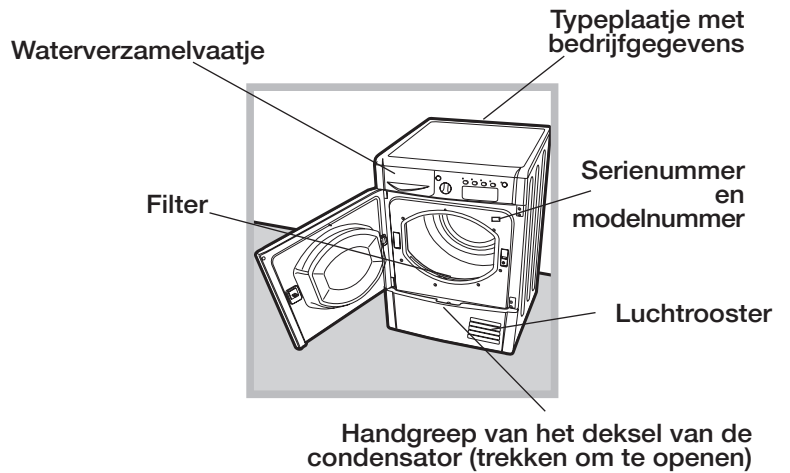


Beschrijving van de wasdroger

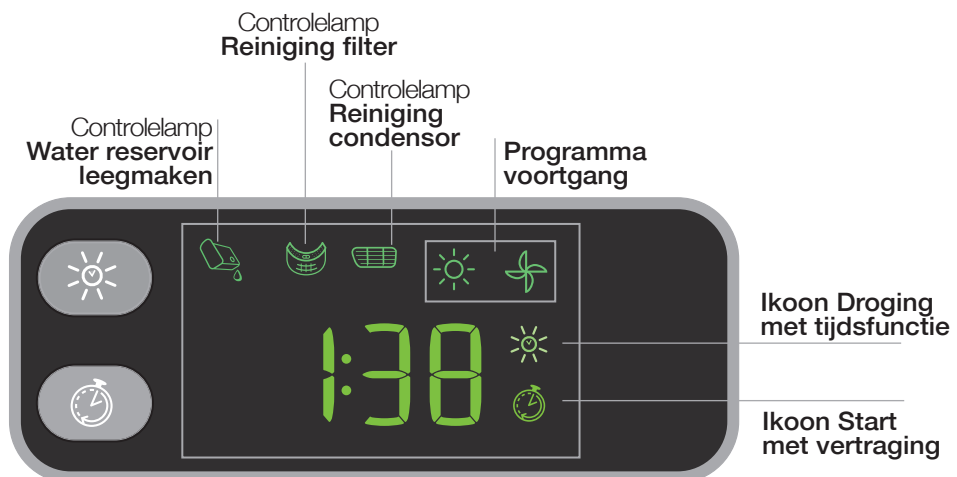
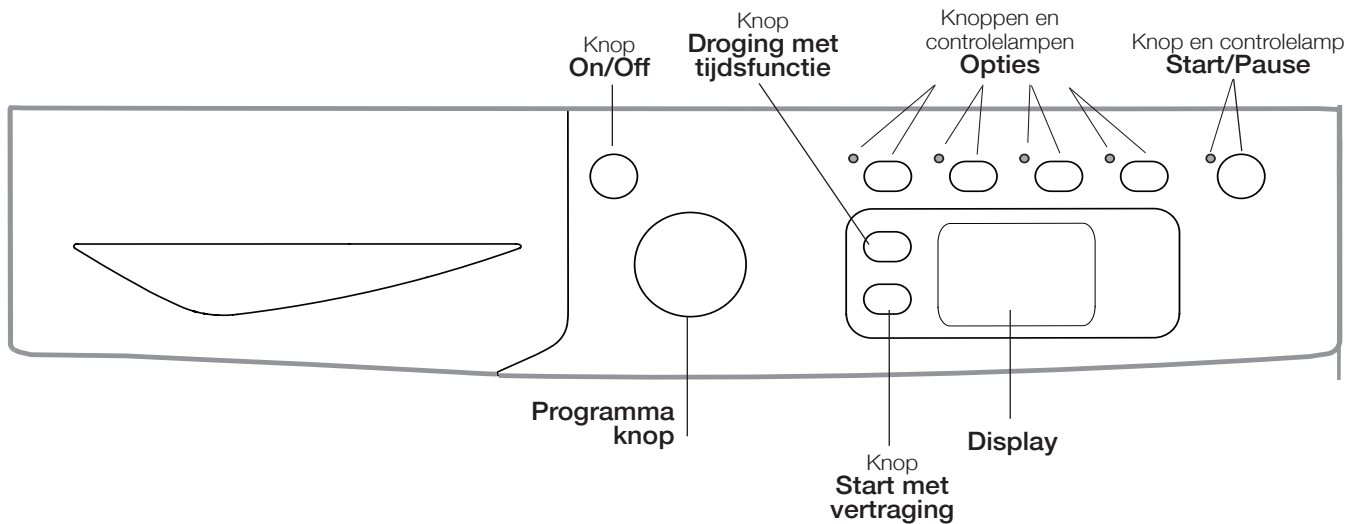
Openen van het deurtje



Eigenschappen



Bedieningspaneel



Knop ON/OFF/Reset

Drukt men normaal op de knop, dan zal het apparaat aan of uit gaan. Indien de wasdroger in bedrijf is, dan zal een langere druk van ongeveer 3 seconden het apparaat uitzetten en de huidig cyclus resetten.

Handknop Programma's

Hiermee kan men het programma kiezen: draai aan de knop totdat de indicator op het gewenste programma staat (*Zie Opstarten en programmakeuze*).

Knoppen voor de opties

Maken het mogelijk om de opties te kiezen, die beschikbaar zijn voor het gekozen programma. De betreffende controlelampen gaan aan om aan te geven dat de optie is gekozen (*zie Programma's en opties*).

Knop en controlelamp START/PAUSE

Wanneer de groene controlelamp langzaam knippert, druk dan op de knop om het programma te starten. Wanneer de cyclus is opgestart zal de controlelamp altijd aan blijven. Om het programma in pauze te zetten drukt men opnieuw op de knop; de controlelamp wordt oranje en begint opnieuw te knipperen.

Om het programma opnieuw te starten vanaf het punt waar deze onderbroken werd, moet men opnieuw de knop indrukken (*Zie Opstarten en programmakeuze*).

Display

In de sectie **A** wordt de waarde weergegeven van de ingestelde "Droging met tijdsfunctie"; in het geval dat een "Start met vertraging" werd ingesteld, wordt de tijd weergegeven waarna het gekozen programma wordt gestart.

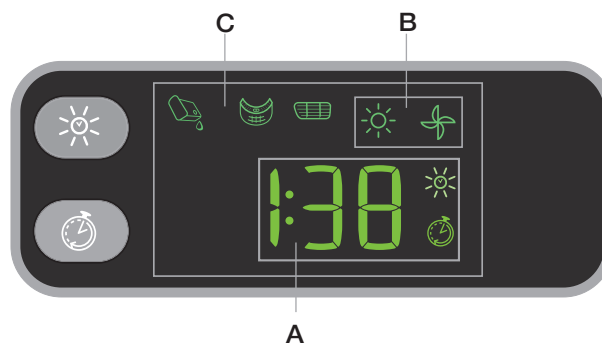
In deze sectie wordt ook de tijdsduur weergegeven van het gekozen programma.

In de sectie **B** wordt de fase van het programma in uitvoering weergegeven:

Icoon zon ☀️: Droging

Icoon ventilator 🌀: Cyclus koude lucht

In de sectie **C** de controlelampen voor het onderhoud (controlelamp Vaatje leegmaken 🗑️, Controlelamp Reiniging filter 🌀, Controlelamp Reiniging condensator 📄), *zie Controlelampen*.



Controlelampen

De controlelampen geven belangrijke informatie. Ziehier wat ze betekenen:

De controlelamp "Vaatje leegmaken" 🗑️ betekent dat het noodzakelijk is om het waterverzamelvatje leeg te maken.

Indien het vaatje tijdens het programma volraakt, zal de led aangaan. De wasdroger zal automatisch de cyclus met koude lucht starten en de led START/PAUSE zal geel knipperen. Om de cyclus opnieuw te starten vanaf het punt waar deze onderbroken werd, moet men op de knop START/PAUSE indrukken

Om dit te voorkomen is het dus beter om het vaatje altijd, na elk gebruik van de wasdroger te legen (*zie Onderhoud*).


Controlelamp Reiniging filter 🌀 voordat men enig programma start moet men zich herinneren dat het van fundamenteel belang is om het filter te reinigen, elke keer dat men de wasdroger wil gebruiken (*zie Onderhoud*).

Controlelamp Reiniging condensator 📄 denk eraan dat het van fundamenteel belang is om regelmatig de condensator te reinigen (*zie Onderhoud*).

Hoe men de machine laat drogen

NL

Starten en kiezen van het programma

1. Steek de stekker van de wasdroger in de contactdoos van de elektrische voeding.
2. Kies het programma op basis van het type was (zie Was).
3. Open het deurtje en controleer dat het filter schoon is en in de goede positie zit. Ook moet het waterverzamelvatje leeg zijn in de goede positie zitten (zie Onderhoud).
4. Doe de was in de machine en let erop dat er geen kleding tussen het deurtje en de betreffende afdichting blijft zitten. Sluit het deurtje.
5. Druk op de knop ON/OFF om de machine te starten.
6. Draai aan de handknop Programma's totdat de indicator naar het programma wijst, dat overeenkomt met het type weefsel dat men wil drogen, controleer dit op de tabel van de programma's (zie Programma's en opties) en de aanwijzingen voor elk type weefsel (zie Witte was).
! Opgelet: indien de positie van de handknop van de programma's veranderd is na de knop START/PAUSE ingedrukt te hebben, zal de nieuwe positie het gekozen programma NIET wijzigen. Om het programma te wijzigen drukt men op de knop START/PAUSE om het programma in pauze te zetten. De controlelamp zal met een oranje kleure knipperen. Kies nu het nieuwe programma en de betreffende opties.
Druk op de knop START/PAUSE om het nieuwe programma te starten.
7. Kies "Droging met tijdsfunctie" door op de betreffende knop te drukken totdat het gewenste niveau of tijd wordt bereikt (zie Programma's en opties).
8. Indien noodzakelijk kan men de vertraagde starttijd en de andere opties instellen (zie Programma's en opties).
9. Als men wenst dat het geluidssignaal klinkt aan het einde van het programma, druk dan op de toets ALARM . Als men wenst dat het geluidssignaal klinkt aan het.
10. Om te starten drukt men op de knop START/PAUSE. Op de display wordt een schatting van de resterende tijd weergegeven. Tijdens het droogprogramma kan men de was controleren en de reeds droge kleren eruit halen terwijl men de rest verder laat drogen. Na het weer sluiten van het deurtje, moet men op START/PAUSE drukken om de machine weer in bedrijf te brengen.
11. Tijdens de laatste minuten van de droogprogramma's zal de laatste fase (KOUDE DROGING) worden opgestart, om de was af te koelen; men moet de machine deze fase altijd laten afmaken.
12. Om aan te geven dat het programma is beëindigd, zult u 3 piepsignalen horen en verschijnt op het display het woord "End" (N.B.: als u de optie ALARM heeft geselecteerd zult u 5 minuten lang elke 30 seconden 3 piepsignalen horen). Open het deurtje, haal de was eruit, reinig het filter en steek deze weer erin. Leeg ook het waterverzamelvatje en doe ook deze weer terug op zijn plaats (zie Onderhoud). Indien men de optie "Post antikreukel" gekozen had en de was er niet onmiddellijk uithaalt, dan zal deze af en toe worden rondgedraaid, voor 10 uren of tot men het deurtje opent.

Als, aan het einde van de cyclus, de kleren niet worden verwijderd, zal de automatische **Anti Kreuk** functie geactiveerd worden. Tijdens de programma's die beschikken over deze functie zal de trommel ononderbroken voor max. 10 uur blijven ronddraaien om kreukvorming te vermijden. Als u de deur opent of op de knop OFF drukt, zal de **Anti Kreuk** functie worden onderbroken

13. Haal de wasdroger van het elektrische net af.

Automatische Anti Kreuk

Deze automatische functie zorgt voor een anti kreuk behandeling, zowel voor als na het droogprogramma. Door de trommel regelmatig te laten ronddraaien voor de start van de droogcyclus, als een uitgestelde start is geselecteerd, zal de vorming van kreuken worden voorkomen. Bij bepaalde programma's zal de trommel ook regelmatig ronddraaien vanaf het einde van de droogcyclus. Deze verzorgende actie zal voortduren of totdat de deur wordt geopend, of als u op de **OFF** knop drukt.

Stand- by modus

Deze droger beschikt, in overeenkomst met de nieuwe normen betreffende de energiebesparing, over een systeem wat het apparaat automatisch na 30 minuten uitschakelt (stand-by) indien men het niet gebruikt. Druk op de **ON/OFF** toets en houdt de toets ingedrukt totdat de droger weer in werking treedt.

Tabel van de Programma's

Programma	Max. lading (kg)	Passende opties	Duur cyclus	
Fast & Easy				
1 Xpress 35'	1	Memo - Toetsen blokkeren- Vertraagde start.	Men kan de tijdsduur van de programma's op de display controleren ³ .	
2 Gemengd	3	Memo - Toetsen blokkeren- Vertraagde start.		
3 Minder Kreukels	3	Memo - Toetsen blokkeren.		
4 Katoen Snel strijken	Max.	Extra Zorg - Memo - Toetsen blokkeren- Droging met tijdsfunctie - Vertraagde start.		
5 Synthetisch Snel strijken	4	Memo - Toetsen blokkeren- Droging met tijdsfunctie - Vertraagde start.		
Essentials				
6 Standaard Katoen ²	Max.	Extra Zorg - Energy Saver ¹ - Memo - Toetsen blokkeren- Droging met tijdsfunctie - Vertraagde start.		
7 Katoen Kleerhanger-droog	Max.	Memo - Toetsen blokkeren- Droging met tijdsfunctie - Vertraagde start.		
8 Synthetisch	4	Energy Saver ¹ - Memo - Toetsen blokkeren- Droging met tijdsfunctie - Vertraagde start.		
9 Jeans	3	Memo - Toetsen blokkeren- Vertraagde start.		
Special Care				
10 Baby&Fijne was	2	Memo - Toetsen blokkeren- Droging met tijdsfunctie - Vertraagde start.		
11 Wolprogramma	1	Memo - Toetsen blokkeren.		
12 Down Jackets	1,5	Memo - Toetsen blokkeren- Vertraagde start.		
13 Gym kit	4	Memo - Toetsen blokkeren- Vertraagde start.		
14 Sport Schoenen	1 paar	Memo - Toetsen blokkeren.		
Post Dry				
15 Makkelijk Strijken	-	Memo -Toetsen blokkeren.		
16 Opfrissen	2,5	Memo - Toetsen blokkeren.		

N.B.! 1 met deze optie wordt de maximale laadmogelijkheid veranderd. Controleer op de beschrijving van de optie. 2 Dit is het meest efficiënte programma betreft het energiegebruik (UE 392/2012). 3 De duur van deze programma's hangt af van de kwantiteit van de lading, het soort weefsel, de gekozen centrifugesnelheid en van iedere extra functie die is gekozen.

Speciale programma's/Sport/Gedeeltelijk

Xpress 35'

Een snel programma op tijd, ideaal voor het drogen van kledingstukken die op hoge snelheid zijn gecentrifugeert in de wasmachine, bijvoorbeeld overhemden die gedurende een werkweek zijn gebruikt.

Gemengd

Dit programma is ideaal katoenen en synthetische weefsels samen te drogen.

Minder Kreukels

Een cyclus voor synthetische en gemengde stoffen waarmee het niet nodig is om lang te stijken.

De kledingstukken uitslaan voordat ze in de droogmachine worden gestopt. Aan het einde van het programma verwijder de kledingstukken onmiddellijk en hang ze op.

Standaard Katoen: met dit droogniveau kan de was direct in de kast worden gelegd

Katoen Kleerhanger-droog: met deze functie bereikt u het hoogst mogelijke droogniveau. Zelfs droger dan Standard Cotton.

Programma Jeans


Dit is een programma voor jeans en denim katoen. Voordat jeans wordt gedroogd keer de zakken om. Geen lichte en donkere artikelen mengen. Het programma kan ook gebruikt worden voor andere kledingstukken van hetzelfde materiaal zoals jacks/ vesten. De kledingstukken die gedroogd worden met de instelling Extra Drogen zijn normaal gesproken klaar om aangetrokken te worden ook al kan het zijn dat de stiksel en deranden nog iets vochtig zijn. In dit geval probeer om de jeans om binnenste buiten te keren en het programma korte tijd nogmaals uit te voeren.

! Het wordt afgeraden om dit programma te gebruiken voor jeans met elastieke stukken, spijkers of borduurwerk.

Baby&Fijne was 

Een programma dat speciaal uitgevonden is voor babykleding en ondergoed (katoen en chenille) en fijne was. Artikelen met plastic bekleding niet drogen.

Wolprogramma 

Dit is een speciaal programma voor kledingstukken, die tegen trommeldrogers kunnen en het symbool  dragen. Het programma kan worden gebruikt voor ladingen tot **1 kg** (ongeveer 3 truien). Er wordt aangeraden de kledingstukken binnenste buiten te keren voordat men ze droogt. De met dit programma gedroogde kledingstukken kunnen normaal gesproken meteen worden aangetrokken, maar enkele zwaardere kledingstukken hebben mogelijk enigszins vochtige randen. Laat deze op natuurlijke manier verder drogen, als men ze terug in de wasdroger doet, kan men ze beschadigen.

! In tegenstelling tot andere materialen zal wol na het krimpen niet meer terugkeren naar de oorspronkelijke afmetingen.

! Dit programma is niet geschikt voor acryl.

Down Jackets 

Een cyclus dat ontworpen is voor het drogen van donzen winterjassen die hun natuurlijke zachtheid terugkrijgen (2 jassen).

Gym kit 

Een cyclus die is uitgevonden voor het drogen van complete sportoutfits, voor de hele familie (broekjes, top, T-shirts en handdoeken)

Programma Sport Schoenen 

Met dit programma kan men een paar sportschoenen drogen. De schoenen moeten zijn gewassen en gecentrifugeerd met een minimale snelheid van **400 omwentelingen/min**.

Men moet het speciale bijgeleverde rek voor schoenen gebruiken. Indien men de schoenen gewoon in de trommel legt zal de wasdroger worden beschadigd. Verwijder het filter aan de voorkant van de wasdroger en zet er het rek in.

Doe de veters in de schoenen en leg deze met de punten naar onder en de zolen aan de voorkant.

De droogtijd is afhankelijk van de vorm en het type schoen. Indien de schoenen niet helemaal droog zijn na het programma, laat het dan nogmaals draaien.

! Droog geen schoenen met gel erin of voorzien van knipperlichten. Droog alleen schoenen van syntetisch materiaal of zeildoek.

Na afloop van het programma moet men het schoenenrek weer verwijderen en het filter weer erin zetten.

Makkelijk Struiken 

Dit is een kort programma van 10 minuten waarmee men de weefsels ontspant zodat het strijken en vouwen gemakkelijker wordt. Dit programma is bijzonder geschikt voor katoen of gemengd katoen.

Voor optimale resultaten moet men de trommel niet meer vullen dan is aangegeven (de volgende waarden hebben betrekking op droge kledingstukken): Weefsel: maximale lading - Katoen en gemengd katoen: **2,5 kg** - syntetisch: **2 kg** - Jeans: **2 kg**

Leeg de wasdroger meteen na het einde van het programma; hang de kledingstukken op, vouw of strijk ze en leg ze in de kast.

Indien dit niet mogelijk is, moet men het programma herhalen.

! Dit is geen droogprogramma en moet dus niet worden gebruikt met natte kleren.

Het resultaat van het programma is afhankelijk van het weefsel: de eigenschappen van weefsels zoals acryl of TENCEL® maken het onmogelijk om dezelfde resultaten te verkrijgen als met normale weefsels zoals bijvoorbeeld katoen.

Opfrissen 


Kort programma, geschikt voor het verfrissen van weefsels en kledingstukken met verse lucht. Het duurt ongeveer **20** minuten.

! Dit is geen droogprogramma en moet dus niet worden gebruikt met natte kleren.

Kan gebruikt worden bij iedere lading maar heeft meer effect als er weinig wasgoed wordt geladen.

Opties

Met de opties kan men het gekozen programma aanpassen aan de eigen wensen.

Droging met tijdsfunctie 

Na het kiezen van een programma kan men een droogtijd bepalen door de toets Droging met tijdsfunctie in te drukken. Elke keer dat men één keer op deze knop drukt ziet men op de display de gekozen tijdsduur van het droogprogramma. Na de eerste druk op de knop ziet men op de display de maximale toelaatbare waarde voor de gekozen cyclus. Elke keer dat men daarna op de knop drukt zal men de ingestelde tijd verminderen, tot **OFF**.

Als de Droging met tijdsfunctie niet beschikbaar is, hoort men drie geluidssignalen.

Vertraagde start

Het starten van bepaalde programma's (zie *Programma's en opties*) kan worden vertraagd tot **24** uur. Druk meerdere malen op de knop totdat men de gewenste vertraging heeft bereikt. Voordat men een vertraagde start in gaat stellen, moet men controleren dat het waterverzamelvatje leeg en het filter schoon is. Tijdens deze fase wordt de was regelmatig rondgedraaid, om kreukvorming te voorkomen.

Extra Zorg

Een optie die uitgedacht is om delicate kledingstukken met de maximale zorg te drogen. Door op deze knop te drukken gaat de overeenkomstige led branden en wordt het drogen op een lagere temperatuur uitgevoerd. Met deze functie duurt de automatische korter. Deze optie kan gebruikt worden bij alle cyclussen die met een vastgestelde tijd worden uitgevoerd.

Energy Saver

Een optie die uitgevonden is om de resultaten van het drogen van kleine ladingen te verbeteren (katoen laden max 2 kg en synthetische laden max 1 kg) waardoor het verbruik en de droogtijd wordt verkleint.

Memo

M.b.v. deze optie kunt u een cyclus of een cyclus met desbetreffende opties opslaan en later opnieuw ophalen (m.u.v. de uitgestelde start).

- U kunt de cyclus opslaan door 3 sec op de Memo toets te drukken. Dit kan zowel tijdens de pauze gebeuren als wanneer de cyclus reeds is gestart. Zodra u de gewenste cyclus en de betreffende opties heeft geselecteerd kunt u hem opslaan. Als u langere tijd op de Memo toets drukt zal de led van de optie gaan knipperen, zoals ook de tijd op het display. Na de 3 seconden zal een geluidssignaal waarschuwen dat alles is opgeslagen.
- Om de optie opnieuw op te roepen hoeft u de droger alleen maar opnieuw in te schakelen en de knop Memo en start in te drukken. Zoals in alle andere cyclussen kunt u de opties en instellingen wijzigen, tenzij ze incompatibel zijn. Elke 2 min verschijnt op het display het nummer van de opgeroepen cyclus. Als er geen enkele cyclus is opgeslagen zal dit worden aangegeven door een geluidssignaal en een optisch signaal.
- Om een nieuw programma te registreren is het voldoende de handelingen voor het opslaan te herhalen.

Toetsen blokkeren

Houdt deze toets enkele seconds ongedrukt nadat het gwenste programma en de opties zijn gekozen. Als de verklikker aanstaat staan de andere toetsen en de programmaknop buiten werking. Om de blokkering op te heffen houdt de toets ingedrukt; de verklikker gaat uit. De toets ON/OFF zet de machine uit ook als de functie Toetsen blokkeren aan staat

! Niet alle opties zijn beschikbaar voor alle programma's (zie *Programma's en opties*). Als een optie niet beschikbaar is en met drukt diens knop in, hoort men drie geluidssignalen.

Openen van het deurtje

Opent men tijdens een programma het deurtje (of men drukt op de knop START/PAUSE) dan zal de droger tot stilstand komen en:

- het lampje START/PAUSE met oranje kleur knipperen.
 - zal de timer in geval van vertraagde start door blijven tellen. Men moet op de knop START/PAUSE drukken om het vertraagde programma weer opnieuw te laten beginnen. Het lampje van de Vertraagde start knippert en op de display wordt de resterende tijd tot het gekozen programma weergegeven.
 - Men moet op de knop START/PAUSE drukken om het programma weer opnieuw te laten beginnen. De controlelampen voor de voortgang geven de huidige fase aan terwijl de controlelamp START/PAUSE ophoudt met knipperen en groen wordt.
 - Tijdens de antikreukel-fase na het drogen zal het programma eindigen. Drukt men op de knop START/PAUSE, dan zal een nieuw programma vanaf het begin worden gestart.
 - Draait men aan de handknop van de programma's, dan zal men een nieuw programma kiezen en de controlelamp START/PAUSE met groene kleur knipperen. Men kan deze procedure gebruiken voor het kiezen van het programma Koud drogen, om de kledingstukken af te koelen als men vindt dat ze droog genoeg zijn.
- Druk op de knop START/PAUSE om het nieuwe programma te starten.

Let op: In het geval van een stroomstoring, de stroom uitschakelen of de stekker verwijderen. Als de stroom weer hersteld is, de ON/OFF-toets indrukken en ingedrukt houden tot de droger weer in werking treedt, en vervolgens op de Start/Pauze-toets drukken.

De was

NL

Sorteren van de was

- Controleer de symbolen op de etiketten van alle kledingstukken om te zien of ze met de trommel gedroogd mogen worden.
- Sorteert de was afhankelijk van het type weefsel.
- Haal alles uit de zakken en controleer de knopen.
- Sluit ritsen en haakjes, en maak riemen en lussen vast zonder ze aan te trekken.
- Wring de kledingstukken uit om zoveel mogelijk water eruit te verwijderen.

! Vul de droger niet met drijfnatte kledingstukken.

Maximale afmetingen van de lading

Laadt de droogtrommel niet meer dan is toegestaan.

De volgende waarden hebben betrekking op het gewicht van de droge kledingstukken:

Natuurlijke weefsels: maximaal 8 kg

Syntetische weefsels: maximaal 4 kg

! Om een daling van de prestaties te vermijden moet men niet teveel in de wasdroger stoppen.

Wasetiketten

Controleer de wasetiketten, vooral als de kledingstukken voor het eerst in de wasdroger worden gedaan. Hieronder worden de meest voorkomende symbolen gegeven:

- Mag in de wasdroger.
- Kan niet in de wasdroger worden gedroogd
- Drogen bij hoge temperatuur.
- Drogen bij lage temperatuur.

Droogtijden

De tijden zijn bij benadering aangegeven en kunnen variëren afhankelijk van:

- Hoeveelheid water in de was na de centrifuge: handdoeken en delicate was bevat nog veel water.
- Weefsels: kledingstukken met hetzelfde weefsel maar met andere weefpatronen en dikte kan een andere droogtijd hebben.
- Hoeveelheid was: afzonderlijke kledingstukken en kleine ladingen kunnen meer droogtijd nodig hebben.
- Droogte: als de kledingstukken nog gestreken moeten worden kunnen ze eerder uit de machine worden gehaald, als ze nog wat vochtig zijn. De kledingstukken die helemaal droog moeten zijn kunnen daarentegen langer in de machine blijven.
- Ingestelde temperatuur
- Temperatuur van de kamer: hoe lager de temperatuur van de kamer is waarin de wasdroger staat, hoe langer men op droge kleding moet wachten.
- Volume: enkele omvangrijke kledingstukken hebben veel aandacht nodig bij het droogproces. We raden aan om deze uit de machine te halen, te schudden en opnieuw in de droger te stoppen: doe dit herhaaldelijk tijdens de droogcyclus.

! Droog de kledingstukken niet te veel.

Alle weefsels hebben een natuurlijke vochtigheid, die ervoor dient om de zachtheid en de luchtigheid ervan te handhaven.

De gegeven tijden hebben betrekking op de automatische programma's. De gewichten hebben betrekking op droge kledingstukken.

Droogtijden

Katoen								
Hoge temperatuur								
Droogtijden na wasbeurten met 800-1000 omwentelingen per minuut								
	1 kg	2 kg	3 kg	4 kg	5 kg	6 kg	7 kg	8 kg
Automatisch (hrs:mins)	0:30 - 0:40	0:50 - 0:55	0:55 - 1:10	1:10 - 1:20	1:20 - 1:30	1:35 - 2:00	2:00 - 2:20	2:10 - 2:40
Met tijdsfunctie (hrs:mins)	0:30 - 1:00	1:00 - 1:30	1:00 - 1:30	1:30 - 2:00	2:20 - 2:40	2:20 - 2:40	2:20 - 2:40	2:20 - 3:00
Syntetisch								
Lage temperatuur								
Droogtijden na wasbeurten met lagere snelheden								
	1 kg	2 kg	3 kg	4 kg				
Automatisch (hrs:mins)	0:30 - 0:40	0:40 - 0:50	0:50 - 1:10	0:70 - 1:30				
Met tijdsfunctie (hrs:mins)	0:30 - 1:00	0:30 - 1:00	1:00 - 1:30	1:20 - 1:40				
Acryl								
Lage temperatuur								
Droogtijden na wasbeurten met lagere snelheden								
	1 kg	2 kg						
Met tijdsfunctie (hrs:mins)	0:30	1:00						

In het geval dat men de indruk heeft dat de wasdroger niet goed werkt, moet men, voordat men naar het servicecentrum belt, (zie *Service*) zorgvuldig de volgende hints raadplegen voor het zelf oplossen van problemen.

Probleem:

Waarschijnlijke oorzaken / oplossingen:

De wasdroger start niet.

- De steker zit niet goed in de contactdoos en maakt geen contact.
- De spanning is uitgevallen.
- De zekering is doorgebrand. Probeer een ander toestel op dezelfde contactdoos aan te sluiten.
- Indien men een verlengsnoer gebruikt kan men proberen om de wasdroger meteen in de contactdoos te steken.
- Het deurtje zit niet goed dicht
- Het programma is niet op de juiste manier ingesteld (zie *Hoe men de was droogt*).
- Niet goed gedrukt op de knop START/PAUSE (zie *Hoe men de was droogt*).
- Bij machines met toetsblokkering, controleer dat de functie niet is ingevoerd (zie *Programma's en opties*).

De droogcyclus start niet.

- Men heeft een vertraging ingesteld (zie *Programma's en opties*).
- Men heeft gedrukt op START/PAUSE; vóór de start van de wasdroger is er een korte vertraging. Wacht tot het drogen begint, druk niet opnieuw op START/PAUSE: anders gaat de wasdroger in pauze en zal niet beginnen met drogen.

Er zijn lange droogtijden..

- Het filter werd niet schoon gemaakt (zie *Onderhoud*).
- Is het vaatje met water leeg? Het lampje "Vaatje leegmaken" knippert en men ziet het bericht "H2O" (zie *Onderhoud*).
- Het filter van de Warmtepomp moet worden gereinigd (zie *Onderhoud*).
- De ingestelde temperatuur is niet geschikt voor het type te drogen weefsel (zie *Programma's en opties*).
- Men heeft niet de juiste droogtijd gekozen voor deze was (zie *Was*).
- De luchtinlaat of de luchtuitlaten achter zijn verstopt (zie *Installatie en Onderhoud*).
- De kleding is te nat (zie *Was*).
- Er zit teveel was in de wasdroger (zie *Was*).

Het lampje "Vaatje leegmaken" knippert, terwijl de wasdroger sinds kort aan het werk is.

- Waarschijnlijk heeft men het waterverzamelvatje niet geleegd aan het begin van het programma. Wacht niet op het signaal voor het legen van het vaatje maar controleer altijd zelf dit vaatje en leeg het voordat men een nieuw droogprogramma opstart (zie *Beschrijving van de wasdroger*).

Het lampje "Vaatje leegmaken" brandt maar het vaatje is niet vol.

- Dit is normaal: het lampje "Vaatje leegmaken" knippert wanneer het vol is. Indien het lampje aan is maar niet knippert dan herinnert het alleen om het vaatje te legen (zie *Beschrijving van de wasdroger*).

Het programma stopt maar de kledingstukken zijn vochtiger dan verwacht.

- ! Vanwege de veiligheid hebben de droogprogramma's een maximale tijdsduur van 4 uur.. Indien een automatisch programma niet de gevraagde vochtigheid detecteert binnen deze tijd, zal het toch ermee ophouden. Controleer de boven aangegeven punten en herhaal het programma; als de kleding toch nog vochtig is neem dan contact op met het servicecentrum (zie *Service*).

Op de display ziet men de code F met een of twee nummers, de optie-lampjes en die van de pauze knipperen.

- Als op het display een F verschijnt gevolgd door een of twee nummers dient u de droger uit te schakelen, de stekker uit het stopcontact te halen en het filter te reinigen (zie *onderhoud*). Doe daarna de stekker weer in het stopcontact, schakel de droger in en start een nieuw droogprogramma. Als het bericht voortduurt moet u het nummer opschrijven en contact opnemen met de Servicedienst (zie *Service*).

Op de display ziet men "dOn" kort elke 6 seconden.

- De wasdroger staat in de modaliteit "Demo". Houdt de knoppen ON/OFF ingedrukt en ook START/PAUSE en houd deze 3 seconden vast. Op de display wordt weergegeven "dOn" gedurende 3 seconden, daarna zal de wasdroger weer normaal gaan werken.

De Resterende tijd verandert tijdens het drogen.

- De resterende tijd is een waarde die voortdurend wordt berekend tijdens het drogen. Deze tijd wordt veranderd om de best mogelijke schatting te geven. Daardoor kan deze tijd ook vermeerderen tijdens het drogen, dit is normaal.

De wasdroger maakt lawaai tijdens de eerste minuten.

- Het komt vooral voor als de droger voor een bepaalde tijd niet is gebruikt. Indien het lawaai tijdens het drogen niet vermindert, moet men contact opnemen met het servicecentrum.

Hoewel de droger ingeschakeld is, zijn de lampjes van het bedieningspaneel van de droger uit.

- De droger is in de standby-modus gegaan om energie te besparen. Dit gebeurt als u de droger aangelaten heft of als er een stroomstoring geweest is. Dit gebeurt na 30 minuten.
 - Als u de droger achterlaat zonder een programma te starten;
 - nadat een droogprogramma geëindigd is.Druk op de ON/OFF toets en houdt de toets ingedrukt totdat de droger weer in werking treedt.



Voordat men het servicecentrum belt:

- Volg de leidraad voor het oplossen van de problemen om te kijken of men het zelf kan oplossen (*zie Problemen en oplossingen*).
- Anders moet men de wasdroger uitzetten en het dichtstbijzijnde servicecentrum bellen.

Gegevens, die men moet melden aan het servicecentrum:

- Naam, adres, en postcode;
 - telefoonnummer;
 - het type defect;
 - de datum van de aanschaf;
 - het model van het apparaat (Mod.);
 - het serienummer (S/N) van de wasdroger.
- Deze informatie vindt men op het gegevensetiket achter het kijkglas.

Informatie betreffende recycling en afvalverwijdering

Met het oog op onze constante inzet het milieu te sparen behouden wij ons het recht voor gerecyclede kwaliteitsmaterialen te gebruiken teneinde de kosten voor de eindgebruiker te beperken en een verspilling van materialen tot het minimum terug te dringen.

- Verwijdering van het verpakkingsmateriaal: volg de plaatselijke normen zodat het verpakkingsmateriaal hergebruikt kan worden.
- Om het risico van ongelukken met kinderen te vermijden verwijdert u de deur en de stekker en snijdt u het snoer vlakbij het apparaat door. Verwijder deze delen op afzonderlijke wijze om u ervan te verzekeren dat het apparaat niet meer aan een stopcontact kan worden bevestigd.

Het verwijderen van oude huishoudelijke apparatuur



De Europese richtlijn 2012/19/EG betreffende afgedankte elektrische en elektronische apparatuur (AEEA) voorziet dat huishoudelijke apparatuur niet met het normale afval kan worden meegegeven. De afgedankte apparatuur moet apart worden opgehaald om het wedergebruik van materialen waarvan hij is gemaakt te optimaliseren en om potentiële schade aan de gezondheid en het milieu te voorkomen.

Het symbool van de afvallemmer met een kruis staat op elk product, om aan te geven dat het apart moet worden weggegooid. Voor verdere informatie betreffende het correcte verwijderen van huishoudelijke apparatuur kunnen de gebruikers zich wenden tot de gemeentelijke reinigingsdienst of de verkoper.



Dit toestel is in overeenstemming met de volgende CE richtlijnen:

- 2006/95/CE (Bepalingen voor laagspanning);
- 2004/108/CE (Electromagnetische compatibiliteit).

Indesit Company S.p.A.

Viale Aristide Merloni, 47

60044 Fabriano (AN)