

## TUMBLE DRYER



*English, 1*



*Français, 17*



*Español, 33*




*Português, 49*



*Deutsch, 65*

## EDPA 745 A ECO

[www.indesit.com](http://www.indesit.com)

 This symbol reminds you to read this instruction manual.

! Keep this manual at hand for immediate reference whenever necessary. Always store this manual close to the tumble dryer and remember to pass it on to any new owners when selling or transferring the appliance, so they may familiarise with the warnings and suggestions herein contained.

! Read these instructions carefully: the following pages contain important information on installation and useful suggestions for operating the appliance.

## Contents

### Installation, 2

Where to install the tumble dryer  
Ventilation  
Electrical connections  
Preliminary information

### Warnings, 4

General safety  
Saving energy and respecting the environment

### Care and maintenance, 6

Disconnecting the power supply  
Cleaning the filter after each cycle  
Checking the drum after each cycle  
Emptying the water container after each cycle  
Cleaning the condenser unit  
Cleaning the tumble dryer

### Description of the tumble dryer, 8

Features  
Control panel

### How to carry out a drying cycle, 10

Starting and selecting a programme

### Programmes and options, 11

Programme chart  
Special programmes  
Options  
Opening the door

### Laundry, 14

Sorting laundry  
Care labels  
Drying times

### Troubleshooting, 15

### Assistance and Guarantee, 16

Spare parts  
Product guarantee and repair information  
Information on recycling and disposal

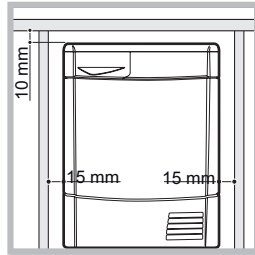
# Installation

GB

## Where to put your dryer

• Place your dryer at a distance from gas ranges, stoves, heaters, or cooktops because flames can damage the appliance. The dryer should be installed in an ambient room temperature of between 20 to 23°C for optimum performance.

But will function if the room is between 14 and 30°C. If you are going to install the appliance under a work counter, be sure to leave a 10 mm space between the top and any other objects on or above the machine and a 15 mm space between the sides and lateral furnishings or walls. This is to ensure proper air circulation. The appliance must be installed with the rear surface placed against a wall.



## Ventilation

• When the dryer is in use, there has to be adequate ventilation. Make sure you put your dryer in an environment that is not damp and has proper air circulation throughout. Airflow around the dryer is essential to condense the water produced during the washing, the dryer will not operate efficiently in an enclosed space or cupboard. ! If using the dryer in a small or cold room some condensation will be experienced.

! We do not recommend that the dryer is installed in a cupboard but the dryer must never be installed behind a lockable door, a sliding door or a door with a hinge on the opposite side to that of the dryer door.

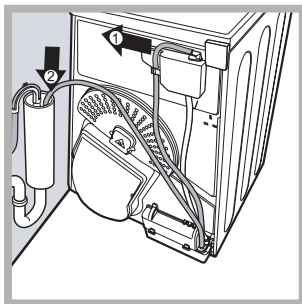


Fig. A

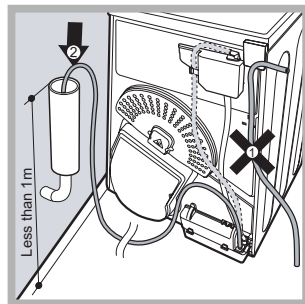


Fig. B

## Water Drain

If the machine is positioned close to a drain it is possible to drain the condensed water directly without using the water bottle. In which case it is no longer necessary to empty the water bottle at the end of each cycle. If the Dryer is positioned above or close to a Washing Machine the same drainage can be used. Just remove the tube indicated in figure A and connect it to the drainage. If the drainage is further away than the length of the tube it is possible to buy and connect a tube of the same diameter and the necessary length in order to reach the drain. To install the new tube just substitute the

existing one as indicated in figure B inserting it in the same place.

! The drain tube has to be below 1 m from the bottom of the Dryer.

! Once the Dryer has been installed please assure that the drain tube is not bent or kinked.

## Electrical connections

Before plugging the appliance into the socket, check the following:

- Make sure your hands are dry.
- The socket must have an earth connection.
- The socket must be able to withstand the machine's maximum power output as indicated on the rating plate (see *Description of the tumble dryer*)
- The power supply voltage must fall within the values indicated on the data plate (see *Description of the tumble dryer*).
- The socket must be compatible with the dryer's plug. Should this not be the case, replace the plug or the socket.

! DO NOT USE EXTENSION CORDS.

! The dryer must not be installed outdoors, even if the space is sheltered. It can be very dangerous if exposed to rain or storms.

! Once installed, the dryer's electrical wire and plug must be within reach.

! The power cord must not be bent or squashed.

! If the plug being replaced is a non-rewirable type, then the cut-off plug must be disposed of safely. DO NOT leave it where it can be inserted into a socket and create a shock hazard.

! The power must be regularly checked. If the supply cord is damaged, it must be replaced by the manufacturer, its service agent or similarly qualified persons in order to avoid a hazard. (see *Assistance*). New or longer electric cords are supplied by authorised dealers at a supplementary cost.

! The manufacturer denies any responsibility should any of these rules not be followed.

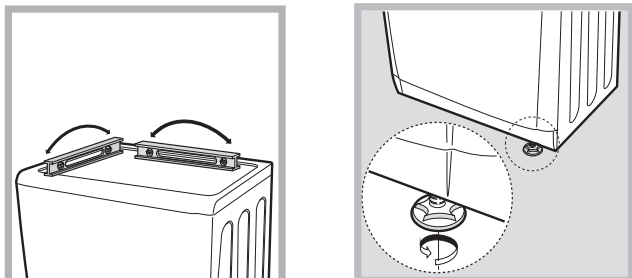
! If in doubt about any of the above consult a qualified electrician.

## Levelling the tumble dryer

The dryer must be installed level for correct operation.

When you have installed your dryer in its final location check that it is level first side-to-side,

then front to back. If the dryer is not level, adjust the two legs up or down until your dryer is level.



**Maximum load sizes: 7 kg**

GB

### Preliminary information

Once you've installed your dryer and before you use it, clean the inside of the drum to remove any dust that could have accumulated during transportation.

**Warning ! Before you use your dryer ensure that its has been in a upright position for at least 6 hours.**


<b>Product Data - Regulation 392/2012.</b>	
Brand	Indesit
Model	EDPA 745 A ECO (EU)
Rated capacity of cotton laundry for the "standard cotton programme" at full load - kg	7.0
This household tumble drier is a	Condenser
Energy efficiency class on a scale from A+++ (low consumption) to D (high consumption)	A
The weighted Annual Energy Consumption (AEc)* kWh 1)	354.0
This household tumble drier is a	Automatic
Energy consumption full load; Edry - kWh 2)	2.96
Energy consumption partial load; Edry <sup>1/2</sup> - kWh 2)	1.63
Power consumption: off-mode (Po) - Watts	0.14
Power consumption: left-on mode (Pl) - Watts	1.79
Duration of the 'left-on mode' for power management system - minutes	30
Prog. Time - weighted (Tt) full & partial load - minutes 3)	164
Full load (Tdry) - minutes	215
Partial load (Tdry <sup>1/2</sup> ) - minutes	125
Condensation efficiency class on a scale from G (least efficient) to A (most efficient)	C
Average condensation efficiency - %	
weighted (Ct) full & partial load 3)	71
full load (Cdry)	71
partial load (Cdry <sup>1/2</sup> )	72
Airborne acoustical noise emissions - dB(A) re 1 pW	69.0
1) "Standard cotton" at full and partial load is the standard programme to which the information in the label and the fiche relates. The standard cotton program is suitable to dry at cupboard level (0%) cotton laundry and is the most efficient programme in terms of energy consumption. Partial load is half the rated load.	
2) based on 160 drying cycles of the standard cotton programme at full and partial load, and the consumption of the low-power modes. Actual energy consumption will depend on how the appliance is used.	
3) Weighted average of 3 cycles at full load and 4 cycles at half load.	
<b>Regulation 932/2012.</b>	
Energy consumption in kWh, for program "Synthetics" full load	0.92
Programme time in minute, for program "Synthetics" full load	90
Partial load for program "Synthetics" N/A	

# Warnings

GB

! This appliance has been designed and built according to international safety standards. These warnings are given for safety reasons and must be followed carefully.

## General safety

- This appliance can be used by children aged from 8 years and above and persons with reduced physical, sensory or mental capabilities or lack of experience and knowledge if they have been given supervision or instruction concerning use of the appliance in a safe way and understand the hazards involved.
- This tumble dryer has been designed for home, and not professional, use.
- Do not touch the appliance while barefoot or with wet hands or feet.
- Unplug the machine by pulling on the plug, not the cord.
- After using the dryer, turn it off and unplug it. Keep the door closed to make sure that children do not use it as a toy.
- Children should be supervised to ensure that they do not play with the dryer.
- Cleaning and user maintenance shall not be made by children without supervision.
- Children of less than 3 years should be kept away from the appliance unless continuously supervised.
- The appliance must be installed correctly and have proper ventilation. The air intake at the front of the dryer should never be obstructed (see Installation).
- Never use the dryer on carpeting where the pile height would prevent air from entering the dryer from the base.
- Check to see if the dryer is empty before loading it.
-  The back of the dryer could become very hot. Never touch it while in use.
- Do not use liquid fabric softeners in the dryer; add it to the final rinse of your wash.
- Do not overload the dryer (see Laundry for maximum loads).
- Do not load items that are dripping wet.
- Carefully check all instructions on clothing labels (see Laundry).
- Do not tumble dry large, very bulky items.
- Do not tumble dry acrylic fibres at high temperatures.

- Do not turn off the dryer when there are still warm items inside.
- Clean the filter after each use (see Maintenance).
- Empty the Water Container after each use (see Maintenance).
- Clean the Heat Pump filter unit at regular intervals (see Maintenance).
- Do not allow lint to collect around the dryer.
- Never climb on top of the dryer. It could result in damage.
- Always follow electrical standards and requirements (see Installation).
- Always buy original spare parts and accessories (see Service).

## To minimise the risk of fire in your tumble dryer, the following should be observed:

- Tumble dry items only if they have been washed with detergent and water, rinsed and been through the spin cycle. It is a fire hazard to dry items that HAVE NOT been washed with water.
- Do not dry garments that have been treated with chemical products.
- Do not tumble dry items that have been spotted or soaked with vegetable or cooking oils, this constitutes a fire hazard. Oil-affected items can ignite spontaneously, especially when exposed to heat sources such as a tumble dryer. The items become warm, causing an oxidation reaction with the oil. Oxidation creates heat. If the heat cannot escape, items can become hot enough to catch fire. Piling, stacking or storing oil-affected items can prevent heat from escaping and so create a fire hazard. If it is unavoidable that fabrics containing vegetable or cooking oil or those that have been contaminated with hair care products be placed in a tumble dryer they should first be washed with extra detergent - this will reduce, but not eliminate the hazard. They should not be removed from the dryer and piled or stacked while hot.
- Do not tumble dry items that have previously been cleaned in or washed in, soaked in or soiled with petrol/gasoline, dry cleaning solvents or other flammable or explosive substances. Highly flammable substances commonly used in domestic environments including cooking oil, acetone, denatured alcohol, kerosene, spot removers, turpentine,

waxes and wax removers. Ensure these items have been washed in hot water with an extra amount of detergent before being dried in the tumble dryer.

- Do not tumble dry items containing foam rubber (also known as latex foam), or similarly textured rubber like materials. Foam rubber materials can, when heated, produce fire by spontaneous combustion.
- Fabric softener or similar products should not be used in a tumble dryer to eliminate the effects of static electricity unless the practice is specifically recommended by the manufacturer of the fabric softener product.
- Do not tumble dry undergarments that contain metal reinforcements eg. bras with metal reinforcing wires. Damage to the tumble dryer can result if the metal reinforcements come loose during drying.
- Do not tumble dry rubber, plastic articles such as shower caps or babies waterproof covers, polythene or paper.
- Do not tumble dry rubber backed articles, clothes fitted with foam rubber pads, pillows, galoshes and rubber coated tennis shoes.
- Remove all objects from pockets such as lighters and matches.

**! WARNING: Never stop the dryer before the end of the drying cycle unless all items are quickly removed and spread out so that the heat is dissipated.**

#### **Save energy and respect the environment**

- Wring out all items to eliminate excess water before tumble drying (if you use a washing machine first, select a high spin cycle). Doing this will save time and energy during drying.
- Always dry full loads - you save energy: single items or small loads take longer to dry.
- Clean the filter after each use to contain energy consumption costs (see *Maintenance*).

# Care and maintenance

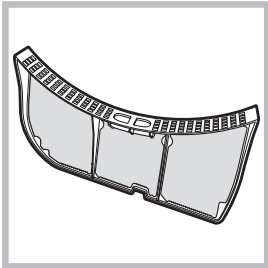
GB

## Disconnecting the power supply

! Disconnect the dryer when not in use or during cleaning and maintenance operations.

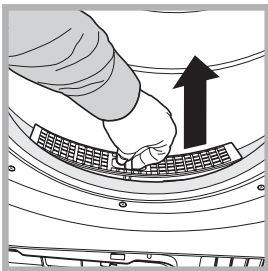
## Cleaning the filter after each cycle

The filter is a fundamental component of the dryer: its function is to collect lint and fluff that form during drying.



Clean the filter once drying is completed, by rinsing it under running water or cleaning it with a vacuum cleaner. Should the filter become clogged, the flow of air inside the dryer will be seriously

hampered: drying times becomes longer and more energy is consumed. Moreover, the dryer may become damaged.



The filter is located in front of the dryer seal (see *Picture*).

Removing the filter:

1. Pull the filter's plastic handle upwards (see *Picture*).

2. Clean the fluff off the

filter and replace it correctly. Ensure that the filter is pushed fully home.

! Do not use the dryer unless the filter has been replaced in its holder.

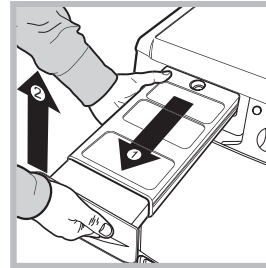
## Checking the drum after each cycle

Rotate the drum manually to remove smaller items (handkerchiefs) that could have been left inside the dryer.

## Cleaning the drum

! Avoid using abrasives, steel wool or stainless steel cleaning agents to clean the drum. A coloured film may appear on the stainless steel drum surface: it may be caused by a combination of water and/or cleaning agents such as wash-softeners. This coloured film does not affect the dryer's performance.

## Emptying the water container after each cycle



Remove the water container and empty it into a sink or other suitable drain outlet, then replace it correctly. Always check the water container and empty it before starting a new drying cycle.

-Failure to empty the water container may cause the following:

- The dryer stops heating (thus the load may still be damp at the end of the drying cycle).
- The "Empty water container" LED activates to show that the water container is full.

## Priming the Water Collection System

When your dryer is new, the Water Container will not collect Water until the system is primed, this will take 1 or 2 drying cycles. Once primed it will collect Water during every cycle.

## Cleaning the Heat Pump Filter Unit

• Periodically (every 5 drying cycles) remove Heat pump filter unit and clean any build up of fluff from the surface of the filter by rinsing it under running water or with your vacuum cleaner.

We however recommend that you clean this filter after every drying cycle to optimize the dryers performance.

To remove Heat pump filter unit:

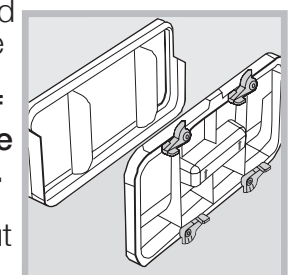
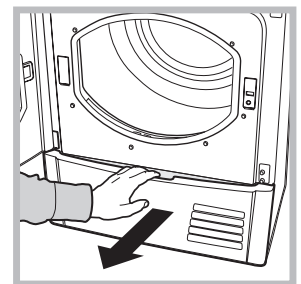
1. Unplug the dryer and open the door.

2. Remove the filter unit by rotating the 4 clips to the vertical position then pulling the filter unit towards you.

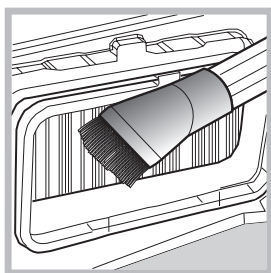
3. Separate the two parts of the filter unit and clean the surface of the filter.

! **Warning: The front of the heat pump is made from thin metal plates.**

Take care that you do not damage these or cut yourself when cleaning, removing or replacing the filter unit.







4. Whenever you clean the Heat pump filter unit always clean any build up of fluff from the surface of the metal plates. Carefully clean this fluff off with a damp cloth, sponge or vacuum cleaner. Never use your

Fingers.

5. Assemble the two parts of the filter clean the surface of the seals and replace with the 4 clips into the horizontal position, sure that the catches have been secured.

**Quick Tips**

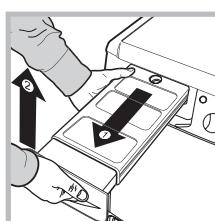
- ! Remember to clean your filter and Heat Pump filter unit after each load.**
- ! Remember to empty your water container after each load.**
- ! Doing this will keep your machine working at its BEST!**

**Cleaning the tumble dryer**

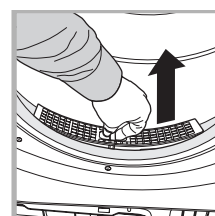
- The external metal, plastic and rubber parts can be cleaned with a damp cloth.
- Clean the front air intake grille regularly (every 6 months) with a vacuum cleaner to remove any lint, fluff or dust deposits. Furthermore, remove any lint deposits from the front part of the condenser and from the filter area, using a vacuum cleaner every so often.

! Do not use solvents or abrasives.

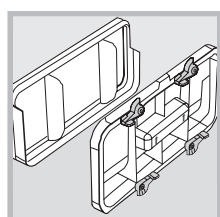
! Have the dryer checked regularly by authorised technical personnel in order to ensure that the electrical and mechanical parts work safely (see Assistance).



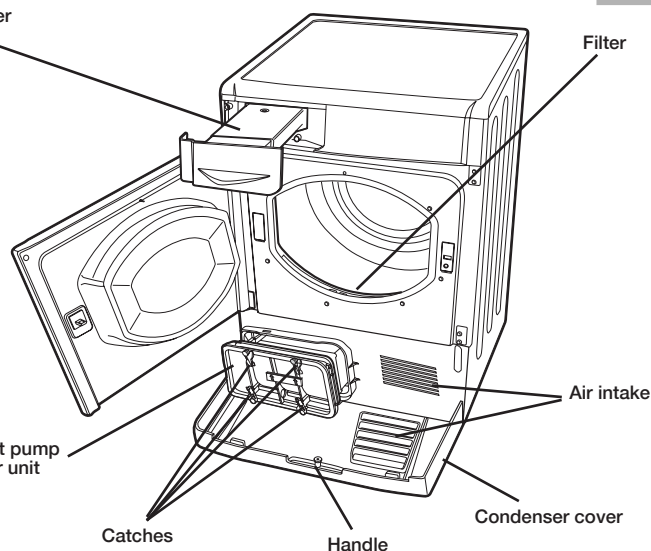
Water container



Filter



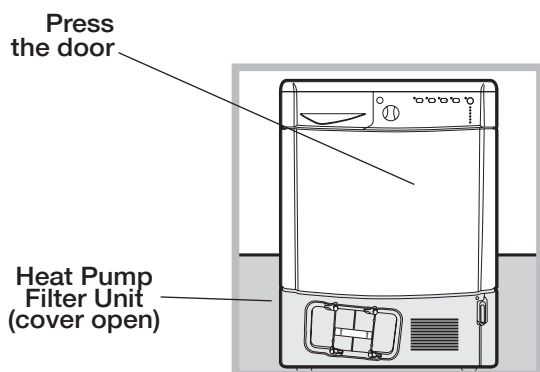
Heat pump filter unit



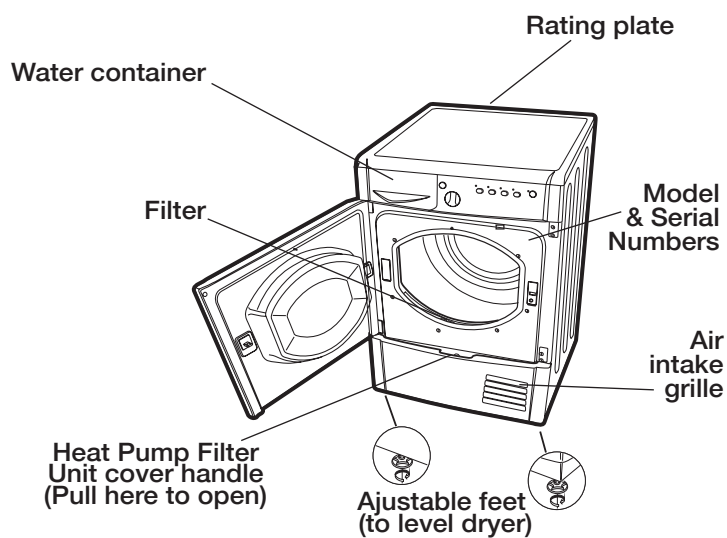
# Description of the tumble dryer

GB

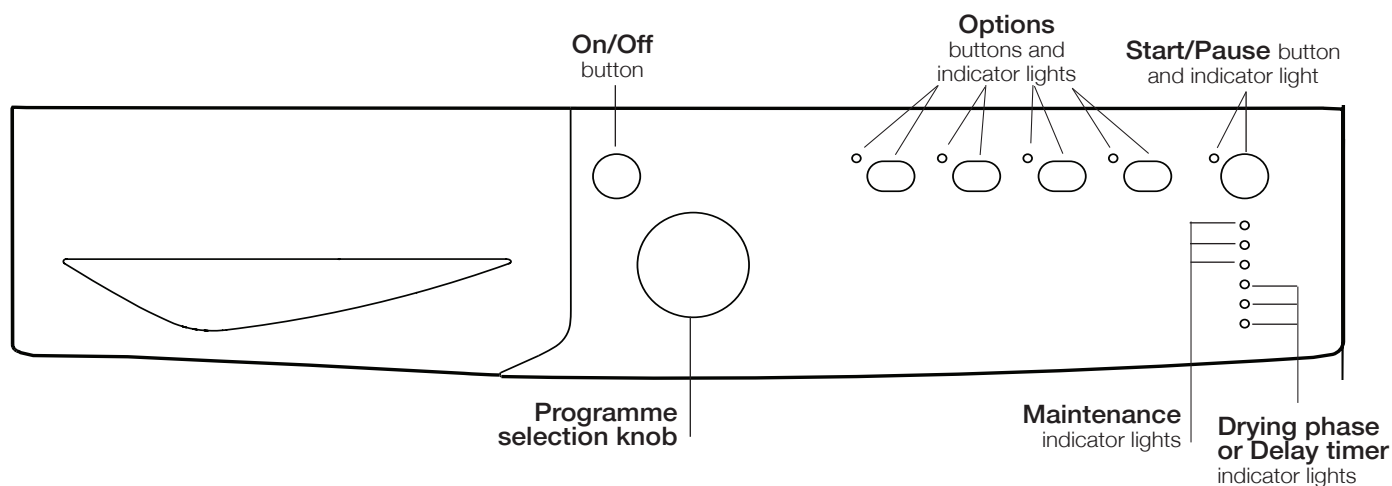
## Opening the door



## Features



## Control panel





### ON/OFF/Reset button

Pressing the button normally will cause the machine to switch on or off. If the button is pressed for 3 seconds while the dryer is in function, the machine will switch off and the running cycle will reset.

### Programme selection knob

Allows for setting the programme: turn until the indicator points towards the desired programme (see *Starting and selecting a programme*).

### Options buttons

Allow for selecting the options available for the selected programme. The relative indicator lights turn on when the option has been selected (see *Programmes and options*).

### START/PAUSE button and indicator light

When the green light flashes slowly, press the button to start the programme. When the cycle is under way, the indicator light remains on. To put the programme into pause mode, press the button again; the indicator light will turn orange and start flashing again. To resume the programme from the point it was interrupted, press the button again (see *Start and programme selection*).

## Indicator lights


### “Maintenance” indicator lights


The indicator lights provide important information. They indicate the following:

The “Empty water container” indicator light  signals that the water container must be emptied.


If the water container fills during the course of the programme, the LED lights up. The dryer automatically starts a cool tumble cycle and the START/PAUSE LED flashes orange. Press the START/PAUSE button to resume the cycle from the point it was interrupted.


In order to avoid this procedure, always empty the water container after using the tumble dryer (see *Care and maintenance*).

Before each programme, the “Clean filter” indicator light  signals that it is essential to clean the filter each time before using the tumble dryer (see *Care and maintenance*).

The “Clean Heat Pump filter unit” indicator light  signals that it is essential to clean the condenser regularly (see *Care and maintenance*).

### “Drying phases” indicator lights

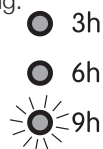
The  indicator light signals that the drying phase is running.

The  indicator light signals that the cooling phase is running.

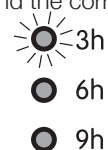
The **END** indicator light signals that the programme has ended.

### “Delay timer” indicator light

If the “Delay timer” option has been activated (see *“Programmes and options”*), after the programme has started, the indicator light corresponding to the chosen delay time will start flashing:



As time passes, the remaining delay will be displayed and the corresponding indicator light will flash:



Once the set delay time ends, the flashing LED will turn off and the set programme will start.

# How to carry out a drying cycle

GB

## Starting and selecting a programme

1. Plug the dryer into the power supply socket.
2. Select the programme according to the type of laundry (see *Laundry*).
3. Open the door, ensure that the filter is clean and securely placed and that the water container is empty and correctly slotted (see *Care and maintenance*).
4. Load the machine, making sure that no piece of laundry gets between the door and the door seal. Close the door.
5. Press the ON/OFF button to start the machine.
6. After consulting the programme chart and the indications for each type of fabric (see *Laundry*), turn the Programme selection knob towards the programme corresponding to the type of laundry to be dried (see *Programmes and options*).  
! Warning: If the position of the programme selection knob changes after pressing the START/PAUSE button, the selected programme will NOT be modified. To modify the programme, press the START/PAUSE button to put the programme in pause mode (the indicator light flashes orange), then select a new programme and the relative options. Press the START/PAUSE button to start the new programme.
7. If necessary, set the time of the delayed start and any other options (see *Programmes and options*).
8. Press the START/PAUSE button to start the drying cycle.  
Laundry can be checked while the drying programme runs and any garments already dry can be removed, while drying continues for the remaining items. After closing the door, press the START/PAUSE button to resume machine operation.
9. The final COOL TUMBLE phase (i.e. the fabrics are cooled) activates during the last few minutes of the drying programme; always allow this phase to terminate.
10. When the **END** indicator light turns on, the programme has ended. The buzzer will beep 3 times to let you know that your programme is complete. Open the door, remove the laundry then clean the filter and replace it. Empty the water container and put it back in its slot (see *Care and maintenance*).  
If the “**Anti Crease**” option was selected and laundry is not removed immediately, the drum will rotate garments at intervals for 10 hours or until the door is opened.
11. Disconnect the dryer from the power supply.

## Standby mode

This tumble dryer, in compliance with new energy saving regulations, is fitted with an automatic standby system which is enabled after about 30 minutes if no activity is detected. Press and hold the ON/OFF button until the dryer reactivates.

## Programme chart

	Programme	Max. load (kg)	Compatible options	Cycle <sup>3</sup> duration
<b>Fast &amp; Easy</b>				
1	Fast 45'	1	Anti Crease - Delay Timer.	45'
2	Easy mix	3	Anti Crease - Delay Timer.	100'
3	Cotton fast Iron	Max.	Extra Care - Anti Crease - Delay Timer.	170'
4	Synthetic fast Iron	4	Anti Crease - Delay Timer.	65'
<b>Essentials</b>				
5	Standard Cotton <sup>2</sup>	Max.	Extra Care - Energy Saver <sup>1</sup> - Anti Crease - Delay Timer.	195'
6	Cotton ready to wear	Max.	Anti Crease - Delay Timer.	205'
7	Synthetics	4	Energy Saver <sup>1</sup> - Anti Crease - Delay Timer.	95'
8	Jeans	3	Anti Crease - Delay Timer.	135'
<b>Special Care</b>				
9	Baby&Delicates	2	Anti Crease - Delay Timer.	80'
10	Wool	1	-	60'
11	Duvet	1,5	Anti Crease - Delay Timer.	100'
12	Special Shoes	1 pair	-	100'
<b>Timed &amp; Post Dry</b>				
13	60 minutes	-	Extra Care - Anti Crease - Delay Timer.	-
14	120 minutes	-	Extra Care - Anti Crease - Delay Timer.	-
15	Crease Relax	-	-	10'
16	Freshen Up	2,5	-	20'

**NOTES:** 1 with this option the maximum load size is modified. Refer to the option description. 2 Standard Cotton is the most efficient program in terms of energy consumption (EU 392/2012). 3 The duration of these programs will depend on the size of the load, types of textiles, the spin speed used in your washer and any extra options selected.

## Special/Sport/Partial Programmes

### Fast 45'

This is a quick timed programme, ideal for drying garments spun at high speed in the washing machine, for example shirts used in a working week.

### Easy Mix

This programme is ideal for drying cotton and synthetic fabrics together.

**Standard Cotton:** Dries your items to a dryness level that allows you to put your clothes away straight from the dryer.

**Cotton Ready to Wear:** Dries your items to the maximum possible dryness level. Even drier than Standard Cotton.

### Jeans

This is a programme for jeans made from denim cotton. Before drying your jeans turn the front pockets inside out.

Do not mix dark and light coloured items.

It can also be used on other garments made from the same material, such as jackets.


Loads dried using this programme are usually ready to wear, the edges or seams may be slightly damp. If this is the case, try turning the jeans inside out and running the programme again for a short period.

! We do not recommend that you use this programme if your jeans have elastic waist bands, studs or embroidery.

### Baby&Delicates

A programme appropriately designed to dry clothing and linen of new-born babies (cotton and chenille) and delicate clothes. Do not dry articles which have plastic covering.

### Wool Programme

This programme is specific for items that withstand tumble drying and are labelled with the  symbol. It is suitable for loads of up to **1 kg** (about 3 jerseys). We recommend turning the garments inside out before drying them. Garments dried with this programme are usually ready to be worn, although the edges of heavier garments may be slightly damp. Leave them to dry naturally, as an additional drying process may damage them.

Unlike other materials, the shrinking process in wool is irreversible, i.e. the garment does not resume its original dimension and shape. This programme is not suited for acrylic items.

### Duvet

A cycle intended to dry down jackets, giving their natural softness back (2 jackets).

### Special Shoes Programme

This programme is specific for drying sports shoes. The shoes must have been previously washed and spun at a minimum spin speed of **400 revolutions**.

A specific shoe rack is provided and must be used, otherwise the dryer will be damaged if shoes are dried in the drum. Remove the filter from its holder on the front part of the dryer and position the shoe rack.

Place shoelaces inside the shoes then load with the tips of the shoes facing downwards and the soles frontwards.

Drying times vary according to the shape and type of the shoe. If the shoes are not completely dry at the end of the programme, restart the programme.

**!** Do not dry shoes that have gel or flashing lights inside them. Only dry shoes made of synthetic material or rope. Once the programme ends, remove the shoe rack and replace the filter into its holder.

### Crease Relax

A short 10-minute programme that relaxes the garment's fibres in order to facilitate ironing and folding.

This programme is particularly recommended for cotton or mixed cotton fabrics.

For optimal results, do not overload the drum (the following values refer to the weight of dry garments):

Fabric: maximum load

Cotton and mixed cotton: **2.5 kg**

Synthetic garments: **2 kg**

Jeans: **2 kg**

Empty the dryer as soon as the programme ends; hang, fold or iron garments then place them in the wardrobe. If this is not possible, repeat the programme.

As this is not a drying programme, it is not to be used for garments that are still wet.

The effect produced by the programme varies according to the characteristics of the each fabric: fabrics such as acrylic fibres or Tencel® do not give the same results as traditional fibres (e.g. cotton).

### Freshen Up

A short programme suitable for refreshing fibres and garments. It lasts about **20 minutes**.

**!** As this is not a drying programme, it is not to be used for garments that are still wet.

It can be used on any load size but is more effective on smaller loads.

Fabric	Load				
	1 kg	2 kg	3 kg	- kg	- kg
Cotton – high heat	60 minutes	60 or 120 minutes	120 minutes	-	-
Synthetics – low heat	60 minutes	60 minutes	60 or 120 minutes	-	-
Acrylics – low heat	60 minutes	120 minutes	-	-	-

## Options

The options allow for customising the selected programme according to one's own needs.

### Extra Care

This is a special option designed to gently dry delicate clothes.

Press this button to select the low temperature setting; the light next to the button will switch on. Activating this option will increase the duration of the cycles.

### Energy Saver

An option designed to optimise the results when drying small loads (cotton loaded to a max. of 2 kgs. and synthetic load to a max. of 1 kg.) thereby minimising consumption and drying times.

### Anti Crease

The Anti-crease option automatically activates a pre and post crease treatment. The Anti-crease by alternating rotation of the drum prevents the formation of wrinkles by rotating repeatedly the garments. The option includes a pre Anti-crease phase, which is activated only when the delay time has been selected, and a post Anti-crease at the end of the drying cycle.

The Anti-crease is therefore the best solution to avoid the formation of wrinkles when the delayed start has been activated and when you aren't available to remove the load immediately the end of the cycle.

### Delay timer

The start of some programmes (see *Programmes and options*) may be delayed up to 9 hours. Press the button repeatedly to enter the desired delay time. Before setting a delayed start, make sure that the water container is empty and that the filter is clean. The drum will rotate occasionally before the drying programme starts to prevent the formation of creases.

! Not all options are available on all programmes (see *Programmes and options*).

## Opening the door

If the door is opened (or the START/PAUSE button is pressed) while a programme is running, the dryer stops and the following may occur:

- The START/PAUSE button flashes orange.
- When a delayed start is running, the delay countdown continues. It is necessary to press the START/PAUSE button to resume the "Delay timer" programme. One of the "Delay timer" indicator light flashes to signal the delay time entered.
- It is necessary to press the START/PAUSE button to resume the programme. The progress indicator lights signal the running phase and the START/PAUSE indicator light stops flashing and turns green.
- During the post care phase, the programme ends. Pressing the START/PAUSE button reactivates a new programme from the beginning.
- By turning the Programme selection knob, a new programme is selected and the START/PAUSE indicator light flashes green. This procedure can be used to select the Cold drying programme to cool garments if they are judged to be dry enough. Press the START/PAUSE button to start the new programme.

### Heat Pump Protection System

The heat pump system has a compressor protection feature, that operates if you open the door or there is a power disruption or you turn off the dryer. This system will prevent the heat pump compressor from starting for 5 minutes after the door is closed and the programme started.

**Note:** If you have a power cut, switch off the power or remove the plug. When power is restored, plug in the machine, press and hold the **ON/OFF** button until the dryer reactivates, then press Start/Pause button.

# Laundry

GB

## Sorting laundry

- Check the symbols on the care labels of the various garments to verify whether the garments can be safely tumble dried.
- Sort laundry according to the type of fabric.
- Empty all pockets and check for loose buttons.
- Close zips and hooks and fasten belts and strings without tightening them.
- Wring out garments to remove the maximum amount of water possible.

! Do not load the dryer when garments are dripping wet.

### Maximum load sizes

Do not overload the drum.

The following values indicate the weight of dry garments:





Natural fibres: maximum 7 kg

Synthetic fibres: maximum 4 kg

! Do not overload the dryer as this may result in reduced drying performance.

## Care labels

Always check the care labels, especially when placing garments in the tumble dryer for the first time. Below are the most commonly used symbols:

-  May be tumble dried.
-  Do not tumble dry.
-  Tumble dry – high heat.
-  Tumble dry – low heat.

## Drying times

Drying times are approximate and may vary depending on the following:

- Amount of water retained by items after the spin cycle: towels and delicate items retain a lot of water.
- Fabrics: items of the same fabric, but with different texture and thickness may have different drying times.
- Amount of laundry: single items and small loads may take longer to dry.
- Drying: if items are to be ironed, they can be removed from the dryer while still slightly damp. Items that require complete drying can be left longer.
- Heat setting.
- Temperature of the room: the lower the temperature of the room, the longer it will take for the dryer to dry clothing.
- Bulk: certain bulky items require special care during the drying process. We suggest removing these items and replacing them in the dryer once they have been shaken out: repeat this procedure several times during the course of the drying cycle.

! Do not over-dry items.

All fabrics contain natural dampness which helps to keep them soft and fluffy.

The drying times provided refer to the automatic Cupboard dry programmes.

The Timed drying settings are also indicated to enable you to select the most suitable timed option.

The weight refers to dry items.

## Automatic drying times

Cotton High Heat						
Drying times after 800-1000 rpm wash cycles						
1 kg	2 kg	3 kg	4 kg	5 kg	6 kg	7 kg
60 - 90 minutes	80 - 100 minutes	100 - 130 minutes	120-140 minutes	140 - 180 minutes	150 - 190 minutes	170 - 200 minutes
Synthetics Low Heat						
Drying times after wash cycles at lower speeds						
1 kg	2 kg		3 kg		4 kg	
40 - 50 minutes	50 - 60 minutes		60 - 90 minutes		90 - 110 minutes	
Acrylics Low Heat						
Drying times after wash cycles at lower speeds						
1 kg			2 kg			
40 - 80 minutes			80 - 140 minutes			



If you feel that the dryer is not working properly, consult the following troubleshooting suggestions before contacting the Technical Assistance Centre (see *Assistance*).

## The dryer does not start.

- The plug has not been inserted far enough into the socket to make contact.
- There has been a power cut.
- The fuse has burned out. Try connecting another appliance to the same socket.
- If an extension cord is used, try connecting the dryer plug directly into the socket.
- The door has not been closed properly.
- The programme has not been set correctly (see *How to carry out a drying cycle*).
- The START/PAUSE button has not been pressed (see *How to carry out a drying cycle*).
- On machines equipped with “Locked” function, check the option is not enabled (see Programmes and options).

## The drying cycle does not start.

- A delayed start time has been set (see *Programmes and options*).
- The START/PAUSE button has been pressed; a short delay follows before the dryer starts running. Wait for the drying cycle to start; do not press the START/PAUSE button otherwise the dryer switches to the pause mode and the drying cycle will not start.

## Drying times are too long.

- The filter has not been cleaned (see *Care and maintenance*).
- The water container must be emptied? The “Empty water container” indicator light flashes (see *Care and maintenance*).
- The Heat Pump Filter Unit needs to be cleaned (see *Care and maintenance*).
- The heat setting is not suited to the type of fabric to be dried (see *Programmes and options*).
- An incorrect drying time was selected for the type of load (see *Laundry*).
- The air intake grille or the rear air vents are clogged up (see *Installation, and Care and maintenance*).
- The items are too wet (see *Laundry*).
- The dryer is overloaded (see *Laundry*).

## The “Empty water container” indicator light flashes.

- The water bottle was not emptied before starting the programme. Always empty it before starting a new drying programme (see Description of the tumble dryer) - do not wait for the bottle full signal (buzzer beeps once every 5 seconds and the indicator light flashes) before emptying the water container.

## The programme is finished but the items are damper than expected.

- ! For safety reasons, the dryer programmes last a maximum of 5 hours. If an automatic programme has not detected the final dampness level required in this interval, the dryer completes the programme and stops. Check the above points and repeat the programme; if the items are still damp, contact the Technical Assistance Centre (see *Assistance*).

## The “Options” and “START/PAUSE” indicator lights flash and one of the “Maintenance” or “Drying phases” indicator lights turns on without flashing.

- Switch the appliance off and unplug it, then clean the filter and Heat Pump Filter Unit (see *“Care and Maintenance”*). Reinsert the plug, switch the appliance on and start another programme.  
If the problem persists, contact the Technical Assistance Service.

## The dryer is noisy during the first few minutes of operation.

- This is normal, especially if the dryer has not been used for a long time. If the noise persists during the entire cycle, contact the Technical Assistance Centre.

## The lights on the dryer control panel are off although the dryer is switched on.

The dryer has gone into standby mode to save power. This occurs if you have left the dryer on or have had a power cut. It occurs after 30 minutes:

- if you leave the dryer without starting a programme;
- after your drying programme has finished.

Press and hold the ON/OFF button until the dryer reactivates

# Assistance

GB

## Heat Pump System

This dryer is fitted with a sealed heat pump system to dry your clothes. To operate, the heat pump contains fluorinated greenhouse gases (F gases) which are covered by the Kyoto Protocol. These F gases are contained in a hermetically sealed unit. This sealed unit contains 0.29 kg of the F gas R134a which acts as a refrigerant.

If the sealed unit fails then it must be replaced by a new sealed unit. Contact your nearest service centre for advice.

**Note:** The gases contained in the sealed unit are not hazardous to health, but if they escape they will have an impact on global warming.

## Spare Parts

This dryer is a complex machine. Repairing it yourself or having a nonauthorised person try to repair it could cause harm to one or more persons and to the machine, and could invalidate the spare parts warranty.

Call an authorised technician if you experience problems while using the machine.

Please note that it is an offence for an unqualified person to undertake any servicing or repair work that involves breaking into the sealed heat pump unit.

## Product Guarantee And Repair Information

### Guarantee

#### 12 Months Parts and Labour Guarantee

Your appliance has the benefit of our manufacturer's guarantee, which covers the cost of breakdown repairs for twelve months from the date of purchase.

This gives you the reassurance that if, within that time, your appliance is proven to be defective because of either workmanship or materials, we will, at our discretion, either repair or replace the appliance at no cost to you:

This guarantee is subject to the following conditions:

- The appliance has been installed and operated correctly and in accordance with our operating and maintenance instructions.
- The appliance is used only on the electricity or gas supply printed on the rating plate.
- The appliance has been used for normal domestic purposes only.
- The appliance has not been altered, serviced, maintained, dismantled, or otherwise interfered with by any person not authorised by us.
- Any repair work must be undertaken by us or our appointed agent.
- Any parts removed during repair work or any appliance that is replaced become our property.
- The appliance is used in the United Kingdom or Republic of Ireland.

The guarantee does not cover:

- Damage resulting from transportation, improper use, neglect or interference or as a result of improper installation.
- Replacement of any consumable item or accessory. These include but are not limited to: plugs, cables, batteries, light bulbs, fluorescent tubes and starters, covers and filters.
- Replacement of any removable parts made of glass or plastic.

THIS GUARANTEE WILL NOT APPLY IF THE APPLIANCE HAS BEEN USED IN COMMERCIAL OR NON-DOMESTIC PREMISES.

### Repairs and After Sales

For product help and advice, repairs, spare parts or accessories, we're here to help.

For local repair engineers - **03448 111 606** ROI - **0818 313 413** UK standard local rate applies ROI local Irish rate applies

For Parts and Accessories visit: [parts.indesit.co.uk/shop](http://parts.indesit.co.uk/shop)

Please remember to register your appliance at [www.indesit-service.co.uk](http://www.indesit-service.co.uk) to activate your 10 year parts guarantee.

Please note, our advisors will require the following information: model number, serial number.

This information can be found on the data plate located behind the door.

## Information on recycling and disposal

As part of our continual commitment towards environmental protection, we reserve the right to use recycled quality components to reduce costs for our customers and to minimise materials wastage.

- Disposing of the packaging materials: follow local regulations to allow for recycling of packaging materials.
- In order to minimise the risk of injury to children, remove the door and plug, then cut the power supply cord flush with the appliance. Dispose of these parts separately to prevent the appliance from being connected to a power supply socket.

### Disposal of old household appliances



The European Directive 2012/19/EC on Waste Electrical and Electronic Equipment (WEEE), requires that old household electrical appliances must not be disposed of in the normal unsorted municipal waste stream. Old appliances must be collected separately in order to optimise the recovery and recycling of the materials they contain and reduce the impact on human health and the environment. This dryer has a sealed heat pump unit containing F gases which should be recovered and destroyed. The crossed out "wheeled bin" symbol on the product reminds you of your obligation, that when you dispose of the appliance it must be separately collected. Consumers should contact their local authority or retailer for information concerning the correct disposal of their old appliance.



**This appliance conforms to the following EU directives:**

- **2006/95/EC (Low Voltage Directive)**
- **2004/108/EC (Electromagnetic Compatibility Directive).**

## SÈCHE-LINGE

FR

Français

## EDPA 745 A ECO

[www.indesit.com](http://www.indesit.com)

 Ce symbole vous rappelle de lire ce mode d'emploi.

! Conservez cette notice d'utilisation et d'installation à portée de main de manière à pouvoir vous y référer si nécessaire. Conservez cette notice toujours à côté du sèche-linge et si vous vendez cet appareil ou que vous le donniez à un tiers, faites en sorte que cette notice accompagne le sèche-linge de manière à ce que le nouveau propriétaire soit informé des avertissements et des conseils concernant le fonctionnement de ce sèche-linge.

! Lisez attentivement ce mode d'emploi : les pages suivantes contiennent des informations importantes concernant l'installation et des conseils relatifs au fonctionnement de cet appareil.

## Table des matières

FR

### Installation, 18

Où installer le sèche-linge  
Ventilation  
Raccordement électrique  
Informations préliminaires

### Précautions, 20

Sécurité générale  
Économie d'énergie et protection de l'environnement

### Soin et entretien, 22

Interruption de l'alimentation électrique  
Nettoyage du filtre après chaque cycle  
Contrôle du tambour après chaque cycle  
Vidange du réservoir d'eau après chaque cycle  
Nettoyage du groupe filtre de la pompe à chaleur  
Nettoyage du sèche-linge

### Description du sèche-linge, 24

Caractéristiques  
Tableau de bord

### Comment effectuer un cycle de séchage, 26

Démarrage et choix du programme

### Programmes et options, 27

Tableau des programmes  
Programmes Spécial/Sport/Partiaux  
Options  
Ouverture de la porte

### Linge, 30

Tri du linge  
Étiquettes d'entretien  
Temps de séchage

### Problèmes et solutions, 31

### Assistance, 32

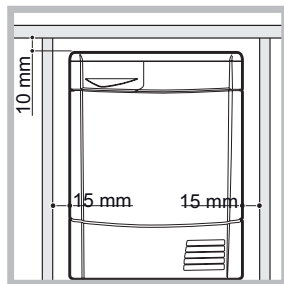
Pièces détachées  
Informations pour le recyclage et la mise au rebut

# Installation

FR

## Où installer le sèche-linge

• Placez votre sèche-linge à une certaine distance des cuisinières, fourneaux, radiateurs, ou plaques de cuisson à gaz, car les flammes peuvent endommager cet appareil. Pour garantir un fonctionnement optimal, installez votre sèche-linge dans une pièce à température ambiante entre 20 et 23 °C. Cependant, l'appareil fonctionnera si la température de la pièce se situe entre 14 et 30 °C. Si vous installez cet appareil sous un plan de travail, faites en sorte de laisser un espace de 10 mm entre le dessus de l'appareil et tout autre objet sur ou au-dessus de celui-ci, et un espace de 15 mm entre ses côtés et les éléments d'ameublement ou les murs latéraux. Ceci a pour objectif d'assurer une ventilation convenable. La surface arrière de l'appareil doit être placée contre un mur.



## Ventilation

• Lorsque le sèche-linge est en marche, une aération adéquate est nécessaire. Faites en sorte d'installer votre sèche-linge dans un environnement qui n'est pas humide et qui est doté d'une bonne circulation d'air dans toute la pièce. La circulation d'air autour du sèche-linge est essentielle pour condenser l'eau produite au cours du lavage ; le sèche-linge ne fonctionnera pas efficacement dans un espace clos ou dans un placard.

! Si l'on utilise le sèche-linge dans une pièce froide ou petite, on rencontrera un certain degré de condensation.

! Nous vous déconseillons d'installer votre sèche-linge dans un placard ; par ailleurs, le sèche-linge ne doit en aucun cas être placé derrière une porte fermant à clé, une porte coulissante ou une porte montée sur des gonds du côté opposé à la porte de chargement du sèche-linge.

## Vidange de l'eau

Si votre sèche-linge est installé à proximité d'une évacuation, l'eau peut être vidangée directement dans ce tuyau. Cela évite d'utiliser et de vider le réservoir d'eau.

Si vous installez le sèche-linge au-dessus ou à côté d'un lave-linge, il pourra partager la même vidange. Il suffit de débrancher le tuyau indiqué par la figure A et de le brancher à la vidange.

Si la vidange est plus loin que la longueur du tuyau, il est possible d'acheter et de brancher un tuyau ayant le même diamètre et la longueur nécessaire.

Pour installer le nouveau il suffit de remplacer le tuyau existant comme illustré par la figure B dans la même position.

! La hauteur de la vidange doit être inférieure à 1 m en partant du bas du sèche-linge.  
! Assurez-vous que le tuyau n'est pas écrasé ou plié une fois le sèche-linge placé dans sa position définitive.

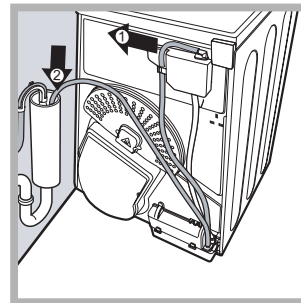


Fig. A

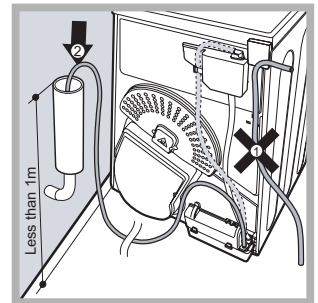


Fig. B

## Raccordement électrique

Assurez-vous des points suivants avant de brancher la fiche de l'appareil dans la prise de mains :

- Assurez-vous d'avoir les mains sèches.
- La prise de courant doit être reliée à la terre.
- La prise de courant doit pouvoir supporter la puissance maximale de la machine, qui est indiquée sur la plaque signalétique de l'appareil (voir Description du sèche-linge).
- La tension électrique doit appartenir à la gamme de valeurs indiquée sur la plaque signalétique de l'appareil (voir Description du sèche-linge).
- La prise de courant doit être compatible avec la fiche du sèche-linge. Autrement, remplacez la prise ou la fiche.

! N'UTILISEZ PAS DE RALLONGES.

! Le sèche-linge ne doit pas être utilisé à l'extérieur, même si l'espace en question est abrité. Cela peut être dangereux si l'appareil est exposé à la pluie ou à des orages.

! Une fois le sèche-linge installé, le cordon d'alimentation et la fiche doivent être d'accès facile.

! Le cordon d'alimentation ne doit pas être courbé ou écrasé.

! Si la fiche à remplacer est de type incorporée, il faut l'éliminer conformément aux consignes de sécurité. Ne la laissez

jamais dans un endroit où elle peut être branchée à une prise et provoquer ainsi un choc électrique.

**!** Le câble électrique doit être contrôlé périodiquement. Si le câble est endommagé, il faut le faire remplacer par le fabricant, par son service après-vente ou par tout autre personnel qualifié afin d'éviter tout risque de danger. (voir *Service après-vente*). Des cordons d'alimentation neufs ou plus longs sont fournis par les revendeurs agréés contre un supplément..

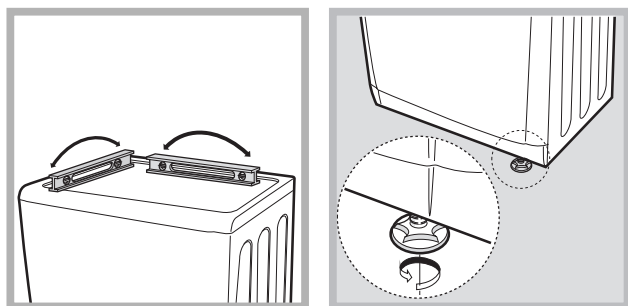
**!** Le fabricant rejette toute responsabilité en cas de non-respect de toutes ou partie de ces règles.

**!** En cas de doute au sujet des points précédents, consultez un électricien qualifié.

## Mise à niveau du sèche-linge

Le sèche-linge doit être installé sur une surface plane pour un fonctionnement optimal.

Après avoir installé le sèche-linge dans sa position définitive, contrôler s'il est placé de niveau dans le sens de la largeur dans un premier temps et ensuite sur la profondeur. Si le sèche-linge n'est pas de niveau, régler les deux pieds avant jusqu'à atteindre une position adéquate.



## Informations préliminaires

Une fois que vous avez installé votre sèche-linge, et avant de l'utiliser, nettoyez l'intérieur du tambour pour retirer les poussières qui pourraient s'y être accumulées pendant le transport.

**ATTENTION :** avant d'utiliser le sèche-linge, assurez-vous qu'il est resté en position verticale pendant au moins 6 heures.

**Charge maximale: 7 kg**

FR

<b>Données techniques - Réglementation 392/2012.</b>	
Marque	Indesit
Modèle	EDPA 745 A ECO (EU)
Capacité nominale de linge en coton pour le « programme coton standard » à pleine charge - kg	7.0
Ce sèche-linge domestique à tambour est un sèche-linge	À condens.
Classe d'efficacité énergétique de A+++ (faible consommation) à D (consommation élevée)	A
La consommation d'énergie annuelle (AEC)* pondérée Kwh 1)	354.0
Ce sèche-linge domestique à tambour est un sèche-linge	Automatique
Consommation d'énergie à pleine charge ; Edry- kWh 2)	2.96
Consommation d'énergie à demi-charge ; Edry½,- kWh 2)	1.63
Consommation d'électricité : mode arrêt (Po) - Watts	0.14
Consommation d'électricité : mode laissé sur marche (PI) - Watts	1.79
Durée du mode laissé sur marche pour le système de gestion de la consommation d'électricité - minutes	30
Durée du programme - pondérée (Tt) pour pleine et demi-charge - minutes	164
Pleine charge (Tdry) - minutes	215
Demi-charge (Tdry½) - minutes	125
Classe de taux de condensation sur une échelle allant de G (appareils les moins efficaces) à A (appareils les plus efficaces)	C
Taux de condensation moyen - %	
pondéré (Ct) pleine et demi-charge 3)	71
charge pleine Cdr	71
demi-charge Cdry½	72
Niveau de bruit aérien - dB(A) re 1 pW	69.0
1) Le « programme coton standard » à charge pleine ou partielle et le « programme coton standard » à charge partielle sont les programmes standards auxquels se réfèrent les informations de l'étiquette et de la fiche. Ces programmes sont parfaits pour sécher du linge en coton au niveau armoire (0%) et ce sont aussi les programmes les plus efficaces au point de vue consommation d'énergie. La charge partielle est égale à la moitié de la charge nominale.	
2) La consommation annuelle est basée sur la base de 160 cycles de séchage pour le programme coton standard à pleine charge et à demi-charge, et de la consommation des modes à faible puissance. La consommation réelle d'énergie par cycle dépend des conditions d'utilisation de l'appareil.	
3) Moyenne pondérée de 3 cycles à pleine charge et de 4 cycles à demi-charge.	
<b>Réglementation 932/2012.</b>	
Synthétique: consommation d'énergie à pleine charge; kWh	0.92
Synthétique: pleine charge (Tdry) - minutes	90
Synthétique: demi-charge N/A	




# Précautions

FR

! Cet électroménager a été conçu et réalisé conformément aux normes internationales de sécurité. Ces consignes sont fournies pour des raisons de sécurité, il faut les respecter scrupuleusement.

## Sécurité générale

- Ce sèche-linge peut être utilisé par des personnes (notamment des enfants de plus de 8 ans) présentant des capacités physiques, motrices ou mentales réduites, ou manquant d'expérience et de connaissances, si elles sont placées sous surveillance ou ont reçu les instructions nécessaires à l'utilisation de l'appareil de la part d'une personne responsable de leur sécurité.
- Ce sèche-linge a été conçu pour un usage domestique, et non professionnel.
- Ne touchez pas cet appareil lorsque vous êtes pieds nus ou avec des mains ou des pieds humides.
- Débranchez cette machine en tirant sur la fiche et non sur le cordon.
- Après avoir utilisé ce sèche-linge, éteignez-le et débranchez-le. Tenez la porte fermée pour assurer que les enfants ne jouent pas avec.
- Surveillez les enfants de façon à ne pas les laisser jouer avec le sèche-linge.
- Le nettoyage et l'entretien ne doivent pas être effectués par des enfants non surveillés.
- Les enfants de moins de 3 ans doivent être tenus à bonne distance du sèche-linge s'ils ne sont pas sous surveillance constante.
- Cet appareil doit être installé correctement et avoir une ventilation convenable. L'arrivée d'air sur le devant du sèche-linge et l'évent derrière le sèche-linge ne doivent jamais être obstrués (voir Installation).
- N'utilisez jamais le sèche-linge sur de la moquette où la hauteur des poils empêcherait l'air d'entrer dans le sèche-linge à partir de la base.
- Vérifiez que le sèche-linge est bien vide avant de le charger.
-  L'arrière du sèche-linge peut devenir très chaud.  
Ne le touchez jamais en cours d'utilisation.
- N'utilisez pas le sèche-linge si le filtre, le réservoir d'eau et le condenseur ne sont pas bien en place (voir Entretien).
- Ne surchargez pas le sèche-linge (voir Linge pour les charges maximales).
- Ne chargez pas d'articles qui dégouttent d'eau.
- Vérifiez avec soin toutes les instructions sur les étiquettes des vêtements (voir Linge).
- Ne séchez pas d'articles de grande taille, très volumineux.
- Ne séchez pas de fibres acryliques à hautes températures.
- N'éteignez pas le sèche-linge s'il contient encore des articles chauds.
- Nettoyez le filtre après chaque utilisation (voir Entretien).
- Videz le réservoir d'eau après chaque utilisation (voir Entretien).
- Nettoyez le groupe condenseur à intervalles réguliers (voir Entretien).
- Ne laissez pas s'accumuler de peluches autour du sèche-linge.
- Ne montez jamais sur le sèche-linge. Cela pourrait l'endommager.
- Respectez toujours les normes et exigences électriques (voir Installation).
- Achetez toujours des pièces de rechange et accessoires d'origine (voir Service Après-vente).

## Vous devez observer les consignes suivantes pour réduire tout risque d'incendie dans votre sèche-linge :

- Ne séchez que des articles qui ont été lavés avec de l'eau et un détergent, rincés et essorés. Le fait de sécher des articles qui N'ONT PAS été lavés avec de l'eau constitue un danger d'incendie.
- Ne séchez pas des vêtements qui ont été traités avec des produits chimiques.
- Ne placez pas d'articles tachés ou imbibés d'huile végétale ou de cuisson, ils risqueraient de provoquer un incendie. Les articles contenant de l'huile peuvent prendre feu spontanément, particulièrement lorsqu'ils sont exposés à des sources de chaleur comme un sèche-linge. En chauffant, les articles provoquent une réaction d'oxydation avec l'huile générant alors de la chaleur. Si la chaleur ainsi générée ne peut pas être évacuée, les articles peuvent devenir suffisamment chauds pour prendre feu. Le fait d'empiler, de superposer ou de stocker des articles contenant de l'huile peut empêcher la chaleur d'être évacuée et donc provoquer un incendie. Si vous ne pouvez pas faire autrement que de placer des articles contenant de l'huile végétale ou de l'huile



de cuisson ou ayant été en contact avec des produits coiffants dans le sèche-linge, il convient de les laver au préalable à l'aide d'une dose supplémentaire de détergent. Cette précaution minimise, sans toutefois l'éliminer, le risque d'incendie. Les articles ne doivent pas être retirés du sèche-linge et empilés ou superposés lorsqu'ils sont chauds.

- Ne placez pas d'articles ayant été préalablement nettoyés ou lavés, imbibés ou tachés avec du pétrole/de l'essence, des solvants de nettoyage à sec ou d'autres substances inflammables ou explosives. Les substances hautement inflammables couramment utilisées dans l'environnement domestique sont notamment l'huile de cuisson, l'acétone, l'alcool dénaturé, la kérosène, les détachants, la térébenthine, les cires et les produits permettant d'éliminer la cire. Assurez-vous que ces articles ont été lavés à l'eau chaude à l'aide d'une dose supplémentaire de détergent avant de les mettre à sécher dans le sèche-linge.
- Ne placez pas d'articles contenant du caoutchouc mousse (également connu sous l'appellation mousse de latex) ou des matériaux similaires renfermant du caoutchouc dans le sèche-linge. Les matériaux contenant du caoutchouc mousse peuvent, lorsqu'ils sont chauffés, s'enflammer par combustion spontanée.
- Les produits assouplissants ou les produits similaires ne doivent pas être utilisés dans un sèche-linge en vue d'éliminer les effets de l'électricité statique sauf si leur emploi est spécifiquement recommandé par le fabricant du produit assouplissant.
- Ne placez pas de sous-vêtements contenant des renforts en métal comme les soutiens-gorge à armature dans le sèche-linge. Si les renforts en métal venaient à se détacher pendant le séchage, ils pourraient endommager le sèche-linge.
- Ne placez pas d'articles en caoutchouc ou en plastique dans le sèche-linge, comme des bonnets de douche ou des couvertures étanches pour bébé, des articles en polyéthylène ou en papier.
- Ne placez pas d'articles contenant des pièces de caoutchouc plaquées, des vêtements présentant des pièces en mousse de caoutchouc, des oreillers, des bottes en caoutchouc et des tennis recouvertes de caoutchouc dans le sèche-linge.

- Enlever tous les objets des poches, notamment les briquets et les allumettes.

**! ATTENTION: N'arrêtez pas le sèche-linge avant la fin du cycle de séchage si vous n'avez pas la possibilité de retirer rapidement tous les articles et de les étendre pour évacuer la chaleur.**

### Économie d'énergie et protection de l'environnement

- Essorez les articles pour éliminer l'eau en excès avant de les passer au sèche-linge (si vous utilisez une machine à laver, sélectionnez un cycle d'essorage à grande vitesse). Ceci vous permettra d'économiser de l'énergie durant le séchage.
- Séchez toujours des charges complètes – vous économiserez de l'énergie : les articles uniques ou les petites charges prennent plus longtemps à sécher.
- Nettoyez le filtre après chaque utilisation pour limiter les coûts de consommation d'énergie (voir Entretien).

# Soin et entretien

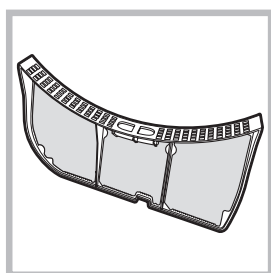
FR

## Interruption de l'alimentation électrique

! Débranchez votre sèche-linge lorsque vous ne l'utilisez pas, lorsque vous le nettoyez et durant toutes les opérations d'entretien.

## Nettoyage du filtre après chaque cycle

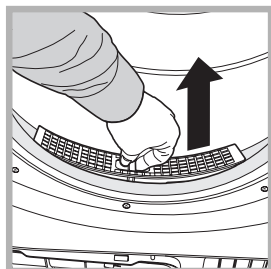
Le filtre est une pièce importante de votre sèche-linge : il accumule des peluches qui se forment durant le séchage.



Par conséquent, une fois le séchage terminé, nettoyez le filtre en rinçant sous l'eau courante ou avec votre aspirateur. Si le filtre devient bloqué, le flux d'air à l'intérieur du sèche-linge est sérieusement compromis

: les temps de séchage sont allongés et vous consommez davantage d'énergie. Cela peut aussi endommager votre sèche-linge. Le filtre se trouve devant le joint du sèche-linge (voir figure).

Pour retirer le filtre :



1. Tirez la poignée en plastique du filtre vers le haut (voir figure).
2. Nettoyez le filtre et remettez-le correctement en place. Assurez-vous que le filtre soit bien inséré à fond dans le joint du sèche-linge.

! N'utilisez pas le sèche-linge sans avoir remis le filtre en place.

## Contrôle du tambour après chaque cycle

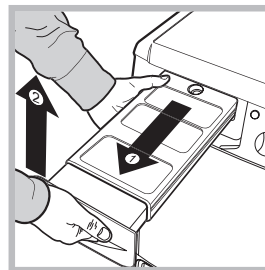
Tournez le tambour à la main afin de retirer les petits articles (mouchoirs) qui pourraient y avoir été oubliés.

## Nettoyage du tambour

! Pour nettoyer le tambour, ne pas utiliser d'abrasifs, de laine d'acier ni de produits de nettoyage pour acier inoxydable.

Un film coloré peut parfois apparaître à la surface du tambour en acier inoxydable. Il peut être dû à une combinaison de l'eau et/ou des produits de nettoyage (ex. adoucissant textile provenant du lavage). Ce film coloré n'affecte pas la performance du sèche-linge.

## Vidange du réservoir d'eau après chaque cycle



Sortez le réservoir du sèche-linge et videz-le dans un évier ou autre évacuation appropriée. Remettez le réservoir d'eau bien en place. Toujours vérifier et vider le réservoir avant de commencer un nouveau programme de séchage.

Si le réservoir d'eau n'est pas vidé, les problèmes suivants peuvent se vérifier :

- L'arrêt du chauffage de l'appareil (le linge pourrait donc être encore humide à la fin du cycle de séchage).
- La led « Vider l'eau » s'allume pour signaler que le réservoir est plein.

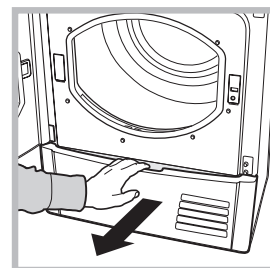
## Chargement du système de collecte de l'eau

Quand le sèche-linge est neuf, le réservoir d'eau ne reçoit pas l'eau tant que le système n'est pas chargé. Cette opération peut prendre 1 ou 2 cycles de séchage. Une fois qu'il a été chargé, le système commence à recevoir l'eau à chaque cycle.

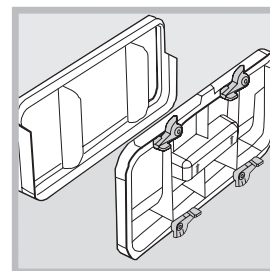
## Nettoyage du groupe filtre de la pompe à chaleur

- Périodiquement, tous les 5 cycles, retirer le filtre de la pompe à chaleur et le nettoyer en éliminant tout résidu de peluches de la surface du filtre en lavant ce dernier à l'eau courante ou en les aspirant avec un aspirateur. Pour optimiser les performances de séchage il est toutefois conseillé de nettoyer ce filtre après chaque cycle de séchage. Comment retirer le groupe filtre de la pompe à chaleur :

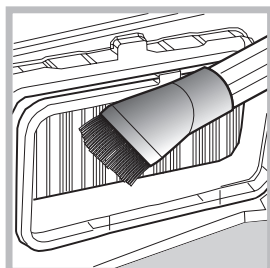
1. Débrancher la fiche et ouvrir la porte.
2. Retirer le couvercle du filtre de la pompe à chaleur en tournant les 4 clips jusqu'à leur position verticale et sortir le groupe filtre.
3. Séparer les deux parties du filtre, retirer tout dépôt de peluches de la surface intérieure de la maille.



- ! ATTENTION : l'avant de la pompe à chaleur est réalisé par de minces plaques métalliques.



Quand vous le nettoyez ou que vous enlevez et remplacez le bloc filtrant pour le nettoyage, faites attention à ne pas l'endommager et à ne pas vous couper.



4. En plus de la pompe à chaleur, il convient de toujours nettoyer soigneusement l'accumulation de poussière sur les plaques métalliques en utilisant un linge humide, une éponge ou un aspirateur. Ne pas utiliser les doigts.

5. Réassembler les deux parties du filtre, nettoyer la surface du joint et introduire le filtre dans son logement en tournant les 4 clips jusqu'à leur position horizontale, s'assurer que les clips soient bien accrochés.

## Nettoyage du sèche-linge

- Pour nettoyer l'extérieur en métal et en plastique et les parties en caoutchouc, utiliser un chiffon humide.
- Périodiquement (tous les 6 mois), aspirez la grille d'entrée d'air de devant, ainsi que les éventails à l'arrière du sèche-linge pour retirer toute accumulation de peluche ou de poussière. En outre, pour éliminer l'accumulation de peluche de l'avant du condenseur et de la zone du filtre, nettoyez occasionnellement à l'aide d'un aspirateur.

! N'utiliser ni solvants ni abrasifs.

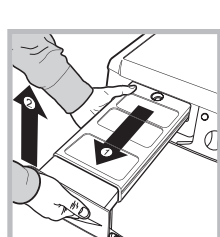
! Faites vérifier régulièrement votre sèche-linge par des techniciens agréés pour assurer la sécurité électrique et mécanique (*voir Service après-vente*).

## Conseils rapides

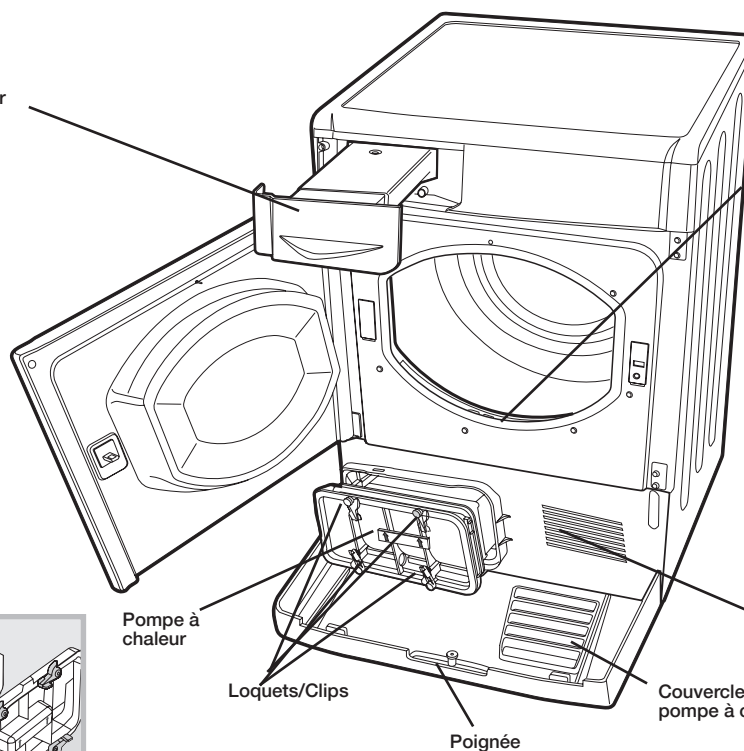
! N'oubliez pas de nettoyer le filtre de la porte et la pompe à chaleur après chaque séchage.

! N'oubliez pas de vider le récipient recueillant l'eau après chaque charge.

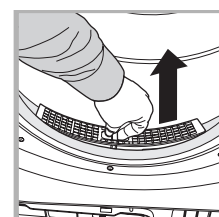
! **Vous obtiendrez ainsi, des performances optimales !**



Réservoir d'eau



Filtre



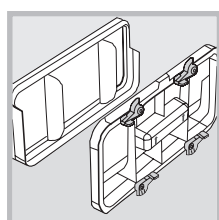
Entrée d'air

Pompe à chaleur

Loquets/Clips

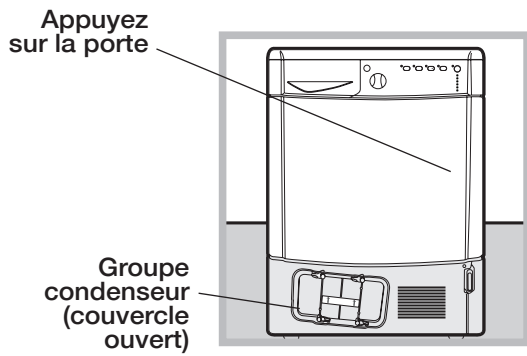
Poignée

Couvercle de la pompe à chaleur



# Description du sèche-linge

Ouverture de la porte



Caractéristiques

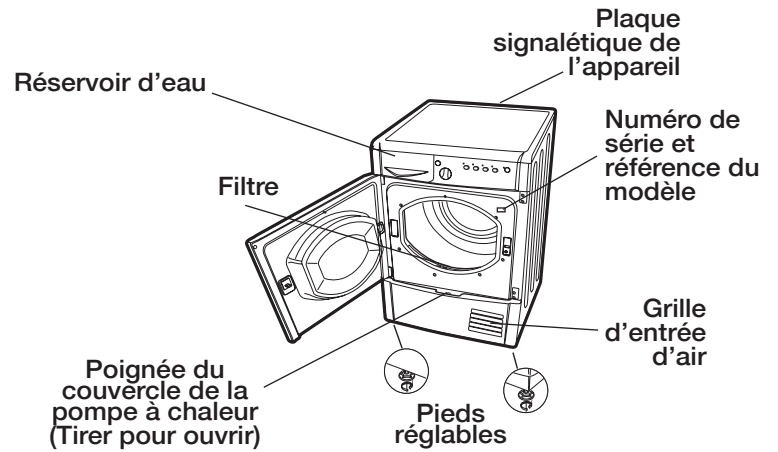
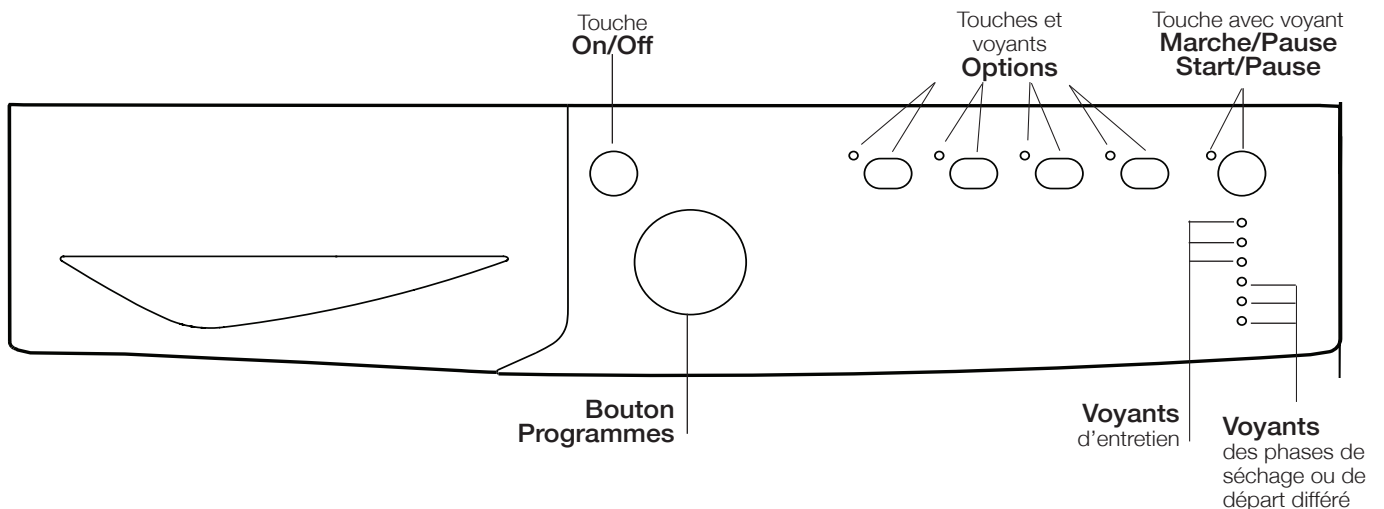


Tableau de bord



### Touche ON/OFF/Reset

Une pression normale sur cette touche fait allumer ou éteindre l'appareil. Si le sèche-linge est en marche, une pression prolongée d'au moins 3 secondes fait éteindre l'appareil et remettre à zéro le cycle en cours.

### Bouton Programmes

Permet de sélectionner les programmes : tournez le bouton jusqu'à positionner l'indicateur sur le programme souhaité (*voir Démarrage et choix du programme*).

### Touches options

Permettent de choisir les options disponibles pour le programme sélectionné. Les voyants correspondants s'allument pour indiquer que les options ont été sélectionnées (*voir Programmes et options*).

### Touche avec voyant START/PAUSE

Quand le voyant vert clignote lentement, appuyer sur la touche pour démarrer le programme. Une fois que le cycle est démarré, le voyant reste allumé. Pour activer une pause de programme, appuyer à nouveau sur la touche ; le voyant passe à l'orange et se met à clignoter.

Pour faire redémarrer le programme exactement à l'endroit de l'arrêt, appuyez une nouvelle fois sur la touche (*voir Démarrage et choix du programme*).

### Voyants


#### Voyants "d'entretien"


Les voyants fournissent des informations importantes. Voilà ce qu'ils signalent :

Le voyant "Vider l'eau"  indique qu'il est nécessaire de vider le réservoir d'eau.

Si ce réservoir se remplit complètement au cours du programme, la led s'allume. Le sèche-linge lance automatiquement le cycle d'air froid et la led START/PAUSE commence à clignoter en ambre. Pour faire redémarrer le cycle là où il avait été interrompu, appuyez sur la touche START/PAUSE.


Pour éviter cette procédure, videz toujours le réservoir d'eau après chaque utilisation du sèche-linge (*voir Entretien*).

Le voyant "Filtre à nettoyer"  avant chaque programme sert à rappeler qu'il est essentiel de nettoyer le filtre chaque fois avant d'utiliser le sèche-linge (*voir Entretien*).

Le voyant "Nettoyage filtre de la pompe à chaleur"  sert à rappeler qu'il est essentiel de nettoyer le condenseur périodiquement (*voir Entretien*).

#### Voyants " Phases de séchage "

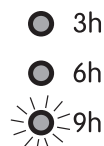
Le voyant  indique que la phase de séchage est en cours.

Le voyant  indique que la phase de refroidissement est en cours.

Le voyant **END** indique la fin du programme.

#### Voyants "Départ différé"

Si la fonction "Départ différé" a été activée (*voir "Programmes et options"*), le voyant correspondant au temps sélectionné se mettra à clignoter, après avoir lancé le programme:



Au fur et à mesure que le temps passe, le temps restant est affiché avec clignotement du voyant correspondant.



Quand le retard sélectionné touche à sa fin le programme sélectionné démarre.

# Comment effectuer un cycle de séchage

FR

## Démarrage et choix du programme

1. Branchez la fiche du sèche-linge dans la prise de courant électrique.
2. Sélectionnez le programme en fonction du type de linge (*voir Linge*).
3. Ouvrez la porte et assurez-vous que le filtre est propre et en place et que le réservoir d'eau est vide et en place (*voir Entretien*).
4. Chargez la machine en faisant attention à ce qu'aucun vêtement ne s'interpose entre la porte et le joint de la porte. Fermez la porte.
5. Appuyez sur la touche ON/OFF pour mettre l'appareil en marche.
6. Tournez le bouton Programmes jusqu'à positionner l'indicateur sur le programme correspondant au type de linge à sécher, en contrôlant le tableau des programmes (*voir Programmes et options*) et les indications pour chaque type de tissu (*voir Linge*).  
**! Attention :** si la position du bouton change après avoir appuyé sur la touche START/PAUSE, la nouvelle position NE MODIFIE PAS le programme sélectionné. Pour modifier le programme appuyez sur la touche START/PAUSE pour activer une pause de programme (le voyant se met à clignoter en orange), ensuite choisissez le nouveau programme et les options correspondantes. Appuyez sur la touche START/PAUSE pour lancer le nouveau programme.
7. Si nécessaire, programmez le temps de départ différé et les autres options (*voir Programmes et options*).
8. Appuyer sur la touche START/PAUSE pour commencer.  
Pendant le programme de séchage vous pouvez contrôler le linge et sortir les vêtements qui ont déjà séché, en laissant continuer les autres. Après avoir refermé la porte, appuyez sur START/PAUSE pour remettre l'appareil en marche.
9. Les dernières minutes avant que tout programme de séchage ne soit terminé, l'appareil entre dans la phase finale de SÉCHAGE À FROID (les tissus sont refroidis), que vous devez toujours laisser se terminer.
10. L'allumage du voyant **END** indique que le programme est terminé. Pour vous informer que le programme est terminé, trois bips retentissent. Ouvrez la porte, sortez votre linge, nettoyez le filtre et remettez-le en place. Videz le réservoir d'eau et remplacez-le (*voir Entretien*).  
Si l'option « **Anti-froissement** » a été sélectionnée et que le linge n'est pas retiré immédiatement, les vêtements sont fait tourner de temps en temps pendant 10 heures ou jusqu'à l'ouverture de la porte.
11. Débranchez le sèche-linge.

## Stand-by

Ce sèche-linge, conformément aux nouvelles normes en vigueur dans le domaine de l'économie d'énergie, est équipée d'un système d'extinction automatique (veille) activé après environ 30 minutes d'inutilisation. Appuyez sur le bouton ON/OFF et maintenez-le enfoncé jusqu'à ce que le sèche-linge se remette en marche.



## Tableau des programmes

	Programme	Charge maxi (Kg)	Options compatibles	Durée cycle <sup>3</sup>
<b>Fast &amp; Easy</b>				
1	Rapide 45'	1	Anti-froissement - Départ différé.	45'
2	Mix	3	Anti-froissement - Départ différé.	100'
3	Coton à Repasser	Max.	Extra Care - Anti-froissement - Départ différé.	170'
4	Synthétiques à Repasser	4	Anti-froissement - Départ différé.	65'
<b>Essentials</b>				
5	Coton Standard <sup>2</sup>	Max.	Extra Care - Energy Saver <sup>1</sup> - Anti-froissement - Départ différé.	195'
6	Coton Prêt à Porter	Max.	Anti-froissement - Départ différé .	205'
7	Synthétiques	4	Energy Saver <sup>1</sup> - Anti-froissement - Départ différé.	95'
8	Jeans	3	Anti-froissement - Départ différé.	135'
<b>Special Care</b>				
9	Bébé & Délicats	2	Anti-froissement - Départ différé.	80'
10	Laine	1	-	60'
11	Doudoune	1,5	Anti-froissement - Départ différé.	100'
12	Baskets	1 paio	-	100'
<b>Timed &amp; Post Dry</b>				
13	60 minutes	-	Extra Care - Anti-froissement - Départ différé.	-
14	120 minutes	-	Extra Care - Anti-froissement - Départ différé.	-
15	Repassage Facile	-	-	10'
16	Rafraîchissement	2,5	-	20'

**Remarque: 1** Avec cette option, la charge maximale est modifiée. Vérifiez la description des options. **2** Ce programme est le programme le plus efficace en termes de consommation d'énergie (UE 392/2012). **3** La durée de ces programmes peut dépendre de la charge de linge, du type de tissu, de la vitesse d'essorage utilisée et des options choisies.

## Programmes Spécial/Sport/Partiaux

### Rapide 45'

Un programme rapide temporisé, idéal pour sécher du linge essoré à grande vitesse dans le lave-linge; par exemple, les chemises portées dans la semaine.

### Mix

Ce programme est idéal pour sécher ensemble les tissus en coton et les tissus synthétiques, avec un degré de séchage qui facilite le repassage.

**Coton Standard:** niveau de séchage qui permet de sécher les vêtements et de les ranger directement dans l'armoire.

 **Coton Prêt à Porter:** niveau de séchage qui permet d'obtenir un niveau maximum de séchage. Encore plus sec que le programme Coton Standard.

### Jeans


Ce programme est particulièrement adapté aux jeans en denim. Avant de faire sécher vos jeans, retournez les poches avant. Ne mélangez pas les articles de couleur sombre et de couleur claire. Ce programme peut également être utilisé pour d'autres articles du même matériau comme les vestes. Les charges séchées avec Sec Extra plus sont normalement prêtes à être portées. Mais les bords ou les coutures peuvent être légèrement humides. Vous pouvez alors essayer de retourner les jeans, puis de relancer le programme, pour une courte durée.

!L'utilisation de ce programme est déconseillée si vos jeans comportent des ceintures élastiquées, des clous ou des broderies.

## Bébé & Délicats

Un programme spécialement conçu pour essuyer les vêtements et les sous-vêtements des nouveaux nés (coton et tissu chenille) ainsi que le linge délicat. Ne pas sécher les articles contenant du plastique.

## Laine

C'est un programme réservé aux articles supportant le séchage au tambour et portant le symbole . Vous pouvez l'utiliser pour des charges jusqu'à **1 kg** (3 pull-overs environ). Il est conseillé de tourner les vêtements à l'envers avant de les charger dans le sèche-linge. Les charges séchées avec ce programme sont normalement prêtes à porter, mais parfois les bords et les coutures des vêtements plus lourds peuvent s'avérer encore légèrement humides. Laissez-les sécher naturellement, car un autre cycle de séchage à la machine pourrait les endommager.

! Contrairement à d'autres matériaux, la laine subit un processus de rétrécissement qui est irréversible, dans ce sens que le vêtement ne reprend plus sa taille et sa forme d'origine.

! Ce programme n'est pas indiqué pour les articles en acrylique.

## Doudoune

Un cycle étudié pour sécher les doudounes en plumes et duvet d'oie, en leur redonnant leur souplesse naturelle (2 doudounes à la fois).

## Baskets

Ce programme permet de sécher une paire de chaussures de sport. Les chaussures doivent avoir été lavées et essorées à une vitesse d'essorage d'au moins **400 tours/minute**.

Vous devez utiliser le porte-chaussures fourni. Si vous séchez vos chaussures directement dans le tambour, cela va endommager votre sèche-linge. Retirez le filtre de sa position à l'avant du sèche-linge et mettez le porte-chaussures en place.

Rentrez les lacets à l'intérieur des chaussures et chargez celles-ci avec les pointes vers le bas et les semelles vous faisant face.

Les temps de séchage varient en fonction de la taille et du style de chaussures. Si les chaussures ne sont pas entièrement sèches à la fin du programme, redémarrez ce programme.

! Ne pas sécher de chaussures avec des inserts Gel ou des lumières clignotantes. Ne sécher que des chaussures en synthétique ou en toile. Une fois que vous avez terminé, retirez le porte-chaussures et remettez le filtre en place.

## Repassage Facile

C'est un programme court de 10 minutes qui relâche les fibres et les rend plus faciles à repasser et à plier.

Il fonctionne particulièrement bien sur les textiles traditionnels comme le coton ou les cotons mélangés.

Pour des résultats impeccables ne chargez pas plus que la capacité maximum (les chiffres suivants font référence au poids sec) :

Textile : charge maximum - Coton et cotons mélangés **2,5 kg** - Synthétiques : **2 kg** - Jeans : **2 kg**

Videz le sèche-linge aussitôt le programme terminé, suspendez, pliez ou repassez les articles et rangez-les dans l'armoire. Si cela n'est pas possible, répétez le programme.

! Ce n'est pas un programme de séchage et ne doit pas être utilisé pour des vêtements mouillés.

L'effet produit varie d'un textile à l'autre: il fonctionne bien sur les textiles traditionnels comme le coton, et moins bien sur les fibres acryliques et sur les matériaux comme le Tencel®.

## Rafraîchissement

Programme court qui sert à aérer les fibres et les vêtements avec de l'air frais. Il a une durée de **0:20** (hrs:mins) environ.

! Ce n'est pas un programme de séchage et ne doit pas être utilisé pour des vêtements mouillés.

Il peut être utilisé pour toute charge, mais il est plus efficace sur des charges peu importantes.

Tissus	Charge				
	1 kg	2 kg	3 kg	- kg	- kg
Coton – Haute température	60 minutes	60 ou 120 minutes	120 minutes	-	-
Synthétique – Basse température	60 minutes	60 minutes	60 ou 120 minutes	-	-
Acrylique – Basse température	60 minutes	120 minutes	-	-	-

## Options

Les options permettent de personnaliser le programme sélectionné en fonction de vos exigences.

### Extra Care

Une option conçue pour sécher avec le plus grand soin les vêtements les plus délicats. En appuyant sur ce bouton, le voyant LED correspondant s'allume et le séchage se fait à des températures plus basses. En actionnant cette fonction, la durée du cycle augmente.

### Energy Saver

Une option conçue pour optimiser les résultats de séchage sur des charges de petites dimensions (coton charge max 2 kg et synthétiques charge max 1 kg) en réduisant les consommations et les temps de séchage.

### Anti-froissement

L'option Anti-froissement active automatiquement la fonction anti-froissement en début et en fin de cycle. En alternant la rotation du tambour, la fonction Anti-froissement empêche la formation de plis grâce à la rotation répétée des vêtements.

L'option comprend un cycle préalable uniquement activée lorsque le retardateur est actif et un cycle final au terme du séchage.

La fonction Anti-froissement est dès lors la meilleure solution pour éviter la formation de plis en cas de programme différé ou lorsque vous ne pouvez pas sortir le linge directement à la fin du cycle.

### Départ différé

Le départ de certains programmes (*voir Programmes et options*) peut être retardé d'un délai pouvant aller jusqu'à **9 heures**.

Appuyez plusieurs fois de suite sur la touche jusqu'à ce que le retard désiré soit affiché. Avant de régler un départ différé, assurez-vous que le réservoir d'eau est vide et que le filtre est propre.

! Les options ne sont pas toutes disponibles pour tous les programmes (*voir Programmes et options*).

## Ouverture de la porte

En ouvrant la porte (ou appuyant sur la touche START/PAUSE) pendant le fonctionnement d'un programme, le sèche-linge s'arrête et les conséquences suivantes se produisent :

- Le voyant START/PAUSE passe à l'orange et clignote.
- Pendant le départ différé, le retard continue d'être décompté. Il faut appuyer sur la touche de START/PAUSE pour reprendre le programme de départ différé. Un des voyants de "Départ différé" clignote pour indiquer le retard courant programmé.
- Il faut appuyer sur la touche de START/PAUSE pour reprendre le programme. Les voyants d'avancement indiquent la phase en cours et le voyant de START/PAUSE passe au vert et cesse de clignoter.
- Pendant la phase anti-froissement fin de séchage le programme sera interrompu. Appuyez sur la touche START/PAUSE pour démarrer un nouveau programme dès le début.
- Tournez le bouton Programmes pour sélectionner un nouveau programme. Le voyant START/PAUSE passe au vert et commence à clignoter. Suivez également cette procédure pour sélectionner le programme Séchage à froid pour refroidir les vêtements, si vous estimez qu'ils sont suffisamment secs.

Appuyez sur la touche START/PAUSE pour commencer le nouveau programme.

### Protection du système à pompe à chaleur

Le système à pompe à chaleur fonctionne grâce à un compresseur muni d'une protection qui s'enclenche quand vous ouvrez la porte ou en cas de coupure de courant. Cette protection empêche le redémarrage du compresseur pendant 5 minutes après que la porte a été refermée et que le cycle a été relancé.

**Remarque :** En cas de coupure de courant, coupez l'alimentation ou débranchez la prise. Une fois le courant rétabli, branchez la machine, appuyez sur le bouton **ON/OFF** et maintenez-le enfoncé jusqu'à ce que le sèche-linge se remette en marche puis appuyez sur le bouton Départ/Pause

# Linge

FR

## Tri du linge

- Vérifiez les symboles sur les étiquettes des vêtements pour vous assurer que les articles peuvent être passés au sèche-linge.
- Triez votre linge par type de textile.
- Videz les poches et contrôlez les boutons.
- Fermez les fermetures éclair et les crochets et attachez les ceintures et les cordons, sans serrer.
- Essorez chaque article de manière à éliminer autant d'eau que possible.

! Ne chargez pas de vêtements mouillés qui gouttent dans le sèche-linge.





## Capacités maximales de chargement

Ne chargez pas plus que la capacité maximale.  
Les chiffres suivants font référence au poids sec :  
Fibres naturelles : maximum 7 kg  
Fibres synthétiques : maximum 4 kg

! Pour éviter que le sèche-linge ne perde de son efficacité, ne le surchargez pas.

## Étiquettes d'entretien

Regardez les étiquettes sur vos vêtements, en particulier lorsque vous les séchez pour la première fois au sèche-linge. Les symboles suivants sont les plus courants :

-  Séchage en machine.
-  Pas de séchage en machine.
-  Séchage à haute température.
-  Séchage à basse température.

## Temps de séchage

Ces temps sont approximatifs et peuvent varier en fonction des paramètres suivants :

- La quantité d'eau retenue dans les vêtements après le cycle d'essorage : les serviettes éponge et les textiles délicats retiennent une quantité importante d'eau.
- Les textiles : des articles qui sont constitué par le même type de textile mais qui ont des textures et des épaisseurs différentes peuvent ne pas avoir le même temps de séchage.
- La quantité de linge : les articles uniques ou les petites charges peuvent prendre plus longtemps à sécher.
- Séchage : si vous avez l'intention de repasser certains de vos vêtements, vous pouvez les sortir de la machine alors qu'ils sont encore un peu humides. Les autres vêtements peuvent y rester plus longtemps si vous voulez qu'ils en sortent entièrement secs.
- Le réglage de la température.
- La température ambiante : si la pièce dans laquelle le sèche-linge est installé est froide, cela prendra plus longtemps à l'appareil pour sécher vos vêtements.
- Le volume : certains articles volumineux peuvent être séchés en machine avec quelques précautions. Nous vous suggérons de retirer plusieurs fois ces articles de la machine, de les secouer et de les remettre dans le sèche-linge jusqu'à ce que celui-ci ait terminé de les sécher.

! Ne séchez pas excessivement vos vêtements. Tous les tissus contiennent une certaine quantité d'humidité naturelle, ce qui les rend doux et gonflants.

Les temps indiqués se réfèrent aux programmes automatiques Séchage armoire. Les poids font référence aux vêtements secs.

## Temps de séchage automatique

Coton						
Haute température						
Temps de séchage après 800-1000 trs/mn dans la machine à laver						
1 kg	2 kg	3 kg	4 kg	5 kg	6 kg	7 kg
60 - 90 minutes	80 - 100 minutes	100 - 130 minutes	120-140 minutes	140 - 180 minutes	150 - 190 minutes	170 - 200 minutes
Synthétique						
Basse température						
Temps de séchage après essorage réduit dans la machine à lave						
1 kg	2 kg	3 kg	4 kg			
40 - 50 minutes	50 - 60 minutes	60 - 90 minutes	90 - 110 minutes			
Acrylics						
Low Heat						
Temps de séchage après essorage réduit dans la machine à lave						
1 kg	2 kg					
40 - 80 minutes	80 - 140 minutes					

## Problème :

## Causes / Solutions possibles :

**Le sèche-linge ne démarre pas.**

- La fiche n'est pas suffisamment insérée dans la prise murale pour qu'il y ait contact.
- Il y a une panne de courant.
- Le fusible a sauté. Essayez de brancher un autre appareil dans la même prise électrique.
- Si vous utilisez une rallonge, essayez de brancher le cordon d'alimentation du sèche-linge directement dans la prise.
- La porte n'est pas bien fermée.
- Le programme n'a pas été convenablement réglé (voir *Comment effectuer un cycle de séchage*).
- La touche de START/PAUSE (MARCHE/PAUSE) n'est pas enfoncée (voir *Comment effectuer un cycle de séchage*).
- Sur les machines munies de la fonction "verouillé", vérifier que l'option ne soit pas introduite (voir *Programmes et options*).

**Le cycle de séchage ne démarre pas.**

- Un retard a été programmé (voir *Programmes et options*).
- La touche de START/PAUSE (MARCHE/PAUSE) a été appuyée ; il faut attendre quelques instants avant que le démarrage du sèche-linge. Attendez donc le début du séchage sans appuyer à nouveau sur la touche de START/PAUSE : dans le cas contraire, l'appareil en mode de pause et ne fait pas démarrer le séchage.

**L'appareil met longtemps à sécher.**

- Le filtre n'a pas été nettoyé (voir *Entretien*).
- Le réservoir d'eau a-t-il besoin d'être vidé ? Le voyant « Vider l'eau » clignote (voir *Entretien*).
- Le filtre de la pompe à chaleur, a besoin d'être nettoyé (voir *Entretien*).
- La température choisie n'est pas idéale pour le type de textile que vous séchez (voir *Programmes et options*).
- La durée de séchage correcte n'a pas été sélectionnée pour la charge (voir *Linge*).
- La grille d'entrée d'air ou les entrées d'air à l'arrière sont obstrués (voir *Installation et Entretien*).
- Les articles étaient trop mouillés (voir *Linge*).
- Le sèche-linge était surchargé (voir *Linge*).

**Le voyant « Vider l'eau » clignote.**

- Le réservoir d'eau n'a probablement pas été vidé au début du programme. N'attendez pas le signal de vidage d'eau (trois bips retentissent et le voyant « Vider l'eau » clignote), mais vérifiez toujours et videz le récipient avant de commencer un nouveau programme de séchage (voir *Description du sèche-linge*).

**Le programme est terminé, mais le linge est plus humide que prévu..**

- ! Par mesure de sécurité, le sèche-linge a un temps maximum de programme de 5 heures. Si un programme automatique n'a pas détecté l'humidité finale requise dans le temps prévu, le sèche-linge terminera le programme et s'arrêtera. Vérifiez les points ci-dessus et lancez le programme à nouveau, si le linge est encore humide, contactez le Centre de service après-vente (voir *Service après-vente*).

**Les voyants des "options" et le voyant de "Start/Pause" et un des voyants d'"entretien" s'allument au fixe.**

- Éteignez l'appareil et débranchez la prise électrique. Nettoyez le filtre de la pompe à chaleur (voir "Soin et entretien"). Rebranchez la prise électrique, mettez le sèche-linge en marche puis lancez un autre programme. Si l'anomalie persiste, appelez le Service après-vente.

**Le sèche-linge est bruyant durant les premières minutes d'utilisation.**

- Cela est normal, surtout si le sèche-linge n'a pas été utilisé pendant une période de temps prolongée. Si le bruit persiste tout au long du cycle, appelez le SAV.

**Les voyants situés sur le panneau de commande du sèche-linge sont éteints bien que celui-ci soit allumé.**

Le sèche-linge est passé en mode veille afin d'économiser de l'énergie. Cela se produit lorsque vous laissez le sèche-linge allumé ou bien après une panne de courant. Cela se produit au bout de 30 minutes :

- si vous laissez le sèche-linge allumé sans lancer de programme ;
- une fois que votre programme de séchage est terminé.

Appuyez sur le bouton ON/OFF et maintenez-le enfoncé jusqu'à ce que le sèche-linge se remette en marche.

## Système à pompe à chaleur

Ce sèche-linge est équipé d'un système à pompe à chaleur pour sécher votre linge. Pour son fonctionnement, la pompe à chaleur utilise des gaz à effet serre (gaz fluorés) qui sont visés par le protocole de Kyoto. Les gaz F sont enfermés dans une unité étanche. Cette unité étanche contient 0,29 kg de gaz R134a F qui agit comme réfrigérant.

Si cette unité est abîmée, il faut la remplacer par une neuve. Pour de plus amples renseignements, contacter le centre d'assistance le plus proche.

Remarque : Les gaz enfermés dans une unité étanche ne sont pas nocifs pour la santé mais, s'ils s'échappent, ils ont un impact sur le réchauffement global.

### Avant d'appeler un réparateur :

- Parcourez les pistes de dépannage afin de vérifier si vous pouvez régler le problème par vous-même (*voir Dépannage*).
- Si ce n'est pas le cas, mettez l'appareil hors tension et prenez contact avec le réparateur le plus proche.

### Quels sont les éléments dont le réparateur a besoin :

- Nom, adresse et code postal ;
  - numéro de téléphone ;
  - type de problème ;
  - date d'achat ;
  - modèle (Mod.) ;
  - numéro de série (S/N).
- Vous trouverez ces informations sur l'étiquette placée à l'intérieur du hublot.

### Pièces détachées

Ce sèche-linge est une machine complexe. En tentant de le réparer par vous-même ou en demandant à une personne non agréée d'effectuer une réparation, vous risquez de vous blesser et d'endommager la machine. De plus, la garantie risque de ne plus être valable.

Appelez un technicien agréé si vous rencontrez des problèmes lors de l'utilisation de la machine.


Toute personne non qualifiée qui effectue une opération d'assistance ou une réparation quelconque qui cause l'endommagement de la pompe à chaleur enfermée commet une infraction.

## Informations pour le recyclage et la mise au rebut

Dans le cadre de notre engagement envers la protection de l'environnement, nous nous réservons le droit d'utiliser des pièces recyclées de qualité afin de réduire les coûts pour notre clientèle et de limiter les gaspillages de matières premières.

- Mise au rebut du matériel d'emballage : respectez les réglementations locales, de manière à ce que l'emballage puisse être recyclé.
- Pour éviter que des enfants se blessent, ôtez la porte et la prise et puis coupez le câble secteur au ras de l'appareil. Jetez ces pièces séparément de sorte que l'appareil ne puisse plus être branché sur une prise de secteur.

### Mise au rebut des électroménagers usagés

 La directive européenne 2012/19/CE sur les déchets d'équipements électriques et électroniques (DEEE), prévoit que les électroménagers ne peuvent pas être traités comme des déchets solides urbains normaux. Les appareils usagés doivent faire l'objet d'une collecte séparée pour optimiser le taux de récupération et de recyclage des matériaux qui les composent et empêcher tout danger pour la santé et pour l'environnement.

Ce sèche-linge utilise une pompe à chaleur étanche contenant des gaz fluorés qu'il faut récupérer et éliminer. Le symbole de la poubelle barrée est appliqué sur tous les produits pour rappeler qu'ils font l'objet d'une collecte sélective. Pour tout autre renseignement sur la collecte des électroménagers usés, prière de s'adresser au service public préposé ou au vendeur.



Cet appareil est conforme aux Directives Européennes suivantes :

- 2006/95/CE (Directives Basse Tension) ;
- 2004/108/CE (Compatibilité Électromagnétique).




## SECADORA

ES

Español

## EDPA 745 A ECO

[www.indesit.com](http://www.indesit.com)

 Este símbolo te recuerda que debes leer este manual de instrucciones.

! Mantenga al alcance de la mano el presente manual para poder consultarlo fácilmente ante cualquier necesidad. El manual siempre debe estar cerca de la secadora, si el aparato es vendido o cedido a terceros, recuerde entregarlo con su manual, de este modo se permitirá a los nuevos propietarios conocer las advertencias y las sugerencias sobre el uso de la secadora.

! Lea atentamente estas instrucciones: las páginas siguientes contienen importante información sobre la instalación y consejos útiles sobre el funcionamiento del electrodoméstico.

## Índice

### Instalación, 34

Dónde instalar la secadora  
Aireación  
Conexión eléctrica  
Información preliminar

### Advertencias, 36

Seguridad general  
Ahorro energético y respeto del medio ambiente

### Cuidados y mantenimiento, 38

Interrupción de la alimentación eléctrica  
Limpieza del filtro después de cada ciclo  
Control del cesto después de cada ciclo  
Vaciado del contenedor de recolección del agua después de cada ciclo  
Limpieza del Filtro de la Bomba de Calor  
Limpieza de la secadora

### Descripción de la secadora, 40

Características  
Panel de control

### Cómo realizar un secado, 42

Puesta en funcionamiento y selección del programa

### Programas y opciones, 43

Tabla de programas  
Programas Especiales/Sport/Parciales  
Opciones  
Abertura de la puerta

### Ropa, 46

Subdivisión de la ropa  
Etiquetas de mantenimiento  
Tiempos de secado

### Problemas y soluciones, 47

### Asistencia Técnica, 48

Repuestos  
Información para el reciclaje y el desguace

ES

# Instalación

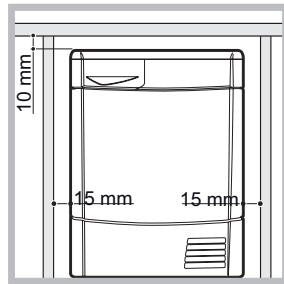
ES

## Dónde instalar la secadora

• Las llamas pueden averiar la secadora, por lo tanto, debe estar alejada de cocinas a gas, estufas, radiadores o encimeras.

Para un rendimiento óptimo, la secadora se debe instalar a una temperatura ambiente entre los 20 y los 23 °C. No obstante, funcionará si la estancia se encuentra a una temperatura entre los 14 y los 30 °C. Si el electrodoméstico debe instalarse debajo de una encimera, es necesario dejar un espacio de 10 mm entre el panel superior del electrodoméstico y los otros objetos dispuestos encima de la misma, y un espacio de 15 mm entre los lados del electrodoméstico y las paredes o las decoraciones dispuestas al costado del mismo. De este modo se garantiza una circulación de aire adecuada.

El aparato debe instalarse con la superficie trasera colocada contra una pared.



## Aireación

• Cuando la secadora está en funcionamiento debe haber una aireación suficiente. Controle que se instale la secadora en un ambiente que no sea húmedo y que esté dotado de una adecuada circulación de aire. El flujo de aire alrededor de la secadora es fundamental para permitir que se condense el agua producida durante el lavado; la secadora no funciona de forma correcta si se coloca en un espacio cerrado o dentro de un mueble.

! Si la secadora se utiliza en una habitación pequeña o fría es posible que se forme algo de condensación.

! No se aconseja instalar la secadora en un armario; el electrodoméstico nunca debe instalarse detrás de una puerta que se cierra con llave, una puerta corrediza o una puerta con los goznes en el lado opuesto a la puerta de la secadora.

## Descarga de agua

Si la máquina se coloca cerca de un tubo de desagüe es posible hacer salir el agua condensada directamente sin tener que utilizar el contenedor de recolección de agua. En este caso, ya no es necesario vaciar el contenedor de recolección del agua después de cada ciclo.

Si la secadora se coloca encima o al costado de una lavadora, ambas pueden compartir el desagüe. Basta desconectar el tubo indicado en la figura **A** y conectarlo a al

desagüe.

Si el desagüe se encuentra más lejos que la longitud del tubo, para alcanzarla es posible comprar y conectar un tubo del mismo diámetro y del largo necesario.

Para instalar el tubo nuevo basta cambiar el tubo presente como se indica en la figura **B** introduciéndolo en la misma posición.

! El desagüe debe estar 1 m más abajo del fondo de la secadora.

! Después de instalar la secadora asegurarse que el tubo de desagüe no esté doblado ni torcido.

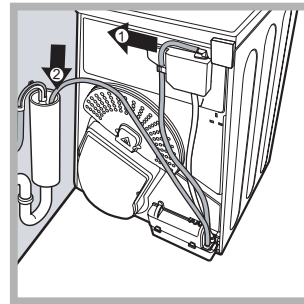


Fig. A

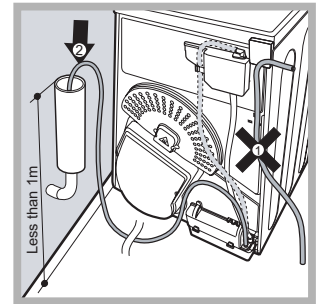


Fig. B

## Conexión eléctrica

Antes de introducir el enchufe en la toma eléctrica compruebe lo siguiente:

- Asegurarse que las manos estén secas.
- La toma debe poseer una conexión a tierra.
- La toma debe ser capaz de tolerar la potencia máxima prevista para la máquina, indicada en la placa de los datos de funcionamiento (*ver Descripción de la secadora*).
- La tensión de alimentación debe estar comprendida entre los valores indicados en la placa de datos de funcionamiento (*ver Descripción de la secadora*).
- La toma debe ser compatible con el tipo de enchufe de la secadora. Si no es así, sustituya la toma o el enchufe.

! NO UTILICE PROLONGACIONES.

! La secadora no puede instalarse en ambientes externos, ni siquiera si están resguardados. En efecto, es posible que sea muy peligroso exponer este electrodoméstico a la lluvia o a las tormentas.

! Después de la instalación de la secadora el cable eléctrico y el enchufe deben quedar a mano.

! El cable eléctrico no debe doblarse ni aplastarse.

! Si el enchufe a cambiar está incorporado, se debe eliminar de forma segura. NUNCA lo deje para que pueda ser conectado a una toma y provoque descargas eléctricas

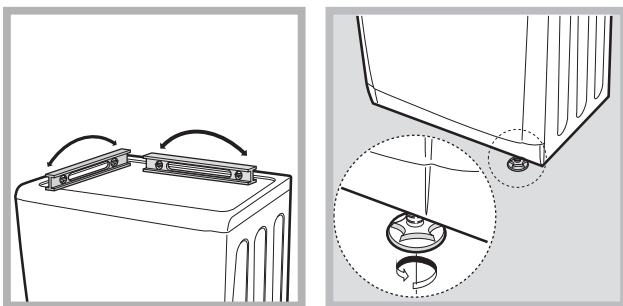
! El cable eléctrico debe controlarse periódicamente. Si está dañado, el cable de alimentación debe sustituirse por el fabricante, su servicio de asistencia u otro personal calificado con el fin de evitar peligros. (ver *Asistencia Técnica*). Los cables eléctricos nuevos o más largos son suministrados por los revendedores autorizados con un costo adicional .

**! El fabricante declina cualquier responsabilidad si no cumplen estas reglas.  
! Si existen dudas respecto a lo indicado, llame a un electricista cualificado.**

## Nivelación de la secadora

La secadora debe instalarse en una superficie plana para que funcione correctamente.

Una vez instalada la secadora en su posición definitiva, controle su nivelación de lado a lado y luego de adelante hacia atrás. Si la secadora no está en una superficie plana, regule las patas delanteras hacia arriba o hacia abajo hasta que se nivele.



## Información preliminar

Una vez instalada la secadora, antes de ponerla en funcionamiento limpie dentro del cesto y elimine la suciedad que puede haberse acumulado durante el transporte.

**ATENCIÓN: antes de utilizar su secadora controle que permanezca en posición vertical durante 6 horas, como mínimo.**

## Máximas dimensiones de carga: 7 kg


<b>Ficha De Producto - Norma 392/2012.</b>	
Marca	Indesit
Modelo	EDPA 745 A ECO (EU)
Capacidad nominal para ropa de algodón utilizando el "programa algodón normal" con carga máxima - kg	7.0
Esta secadora de tambor doméstica es	Condensador
Clase de eficiencia de energía sobre una escala de A+++ (bajo consumo) a D (alto consumo)	A
Consumo de energía anual ponderado (AEC)* Kwh 1)	354.0
Esta secadora de tambor doméstica es	Automática
Consumo de energía con carga máxima; Edry- kWh 2)	2.96
Consumo de energía con carga parcial; Edry½- kWh 2)	1.63
Consumo de energía: modo off (Po) - Watts	0.14
Consumo de energía: modo left-on (Pl) - Watts	1.79
Duración del modo "left-on" para el sistema de gestión de energía - minutos	30
Progr. Tiempo - carga máxima y parcial ponderada (Tt) - minutos 3)	164
Carga máxima (Tdry) - minutos	215
Carga parcial" (Tdry½) - minutos	125
Clase de eficiencia de condensación en una escala de G (menos eficiente) a A (más eficiente)	C
Eficiencia de condensación promedio - %	
carga máxima y parcial ponderada (Ct) 3)	71
carga máxima Cdr	71
carga parcial Cdry½	72
Emisiones de ruido acústico aéreo - dB(A) re 1 pW	69.0
1) El "programa algodón normal" con carga total y el "programa algodón estándar" con carga parcial son los programas estándar a los que se refieren los datos de la etiqueta y de la ficha. Estos programas sirven para dejar las prendas de algodón listas para guardar (0%) y son los más eficientes en términos de consumo de energía. La carga parcial equivale a la mitad de la carga nominal.	
2) Consumo anual basado en 160 ciclos de secado con el programa algodón normal con carga máxima y parcial, en modos de baja potencia. El consumo real de energía por ciclo depende de cómo se utilice el aparato.	
3) Promedio ponderado de 3 ciclos con carga total y 4 ciclos con carga parcial.	
<b>Norma 932/2012.</b>	
Sintético: consumo de energía con carga máxima; kWh	0.92
Sintético: Carga máxima - minutos	90
Sintético: ccarga parcial N/A	

# Advertencias

ES

! Este electrodoméstico ha sido diseñado y fabricado respetando las normas internacionales sobre seguridad. Estas advertencias se suministran por motivos de seguridad y deben ser cumplidas atentamente.

## Seguridad general

- La presente secadora puede utilizarse por personas (incluidos los niños a partir de 8 años) con capacidad física, sensorial o mental reducida o sin experiencia y conocimiento, a condición de que sean vigiladas o reciban las instrucciones de uso del dispositivo por parte de una persona responsable de su seguridad.
- Esta secadora ha sido proyectada para uso doméstico y no profesional.
- No tocar el electrodoméstico con los pies descalzos o con las manos o los pies mojados.
- Desconectar el electrodoméstico de la red de alimentación tirando del enchufe y no del cable.
- Después del uso apagar la secadora y desconectarla de la red de alimentación. Mantener la puerta cerrada para evitar que los niños puedan utilizar la secadora como un juego.
- Los niños deben ser vigilados para asegurarse que no jueguen con la secadora.
- El mantenimiento y la limpieza no deben ser realizados por niños sin vigilancia.
- Los niños de edad inferior a 3 años deben mantenerse alejados de la secadora en ausencia de vigilancia constante.
- El electrodoméstico debe instalarse de forma correcta y debe airearse adecuadamente. La toma de aire en la parte frontal de la secadora y los respiraderos en la parte trasera no deben estar nunca obstruidos (ver instalación).
- No utilizar nunca la secadora sobre la moqueta cuando la altura del pelo sea tal que impida la entrada de aire a través de la base de la secadora.
- Comprobar que la secadora esté vacía antes de cargarla.
-  La parte posterior de la secadora puede calentarse mucho: no tocarla nunca cuando la máquina está funcionando.
- No utilice la secadora a menos que el filtro, el recipiente de agua y el condensador estén correctamente instalados (ver Mantenimiento).
- No sobrecargar la secadora (ver Ropa para las máximas dimensiones de carga).
- No introducir prendas totalmente mojadas.
- Cumplir escrupulosamente con todas las instrucciones de las etiquetas para el lavado de las prendas (ver Ropa).
- No cargar prendas grandes, demasiado voluminosas.
- No secar fibras acrílicas a alta temperatura.
- No apagar la secadora cuando contiene aún prendas calientes.
- Limpiar el filtro después de cada uso (ver Mantenimiento).
- Vaciar el contenedor de recolección de agua después de cada uso (ver Mantenimiento).
- Limpie la unidad del condensador después de intervalos periódicos (ver Mantenimiento).
- Evitar la acumulación de pelusa dentro de la secadora.
- No subirse al panel superior de la secadora ya que podría dañarse la máquina.
- Respetar siempre las normas y las características eléctricas (ver instalación).
- Comprar siempre accesorios y recambios originales (ver Asistencia).

## Para minimizar el riesgo de incendio en la secadora, deberá seguir las siguientes precauciones:

- Seque las prendas únicamente si se han lavado con detergente y agua, se han aclarado y centrifugado. Existe el peligro de incendio si se secan artículos que NO se han lavado con agua.
- No seque prendas que hayan sido tratadas con productos químicos.
- No seque prendas que se hayan manchado o empapado con aceites vegetales o aceites de cocina, ya que constituyen un peligro de incendio. Las prendas manchadas de aceite pueden inflamarse de forma espontánea, especialmente cuando están expuestas a fuentes de calor como una secadora. Las prendas se calientan, causando una reacción de oxidación con el aceite, y a su vez, la oxidación crea calor. Si el

calor no puede escapar, las prendas pueden calentarse lo suficiente para arder. Apilar o guardar prendas manchadas de aceite puede evitar que el calor escape y constituir un peligro de incendio.

Si es inevitable meter en la secadora tejidos que contienen aceite vegetal o de cocina o prendas manchadas con productos de cuidado capilar, dichas prendas deberán lavarse primero con detergente extra; de este modo se reducirá el peligro, aunque no se eliminará del todo. No deberán sacarse de la secadora y apilarse mientras estén calientes.

- No seque prendas que se hayan limpiado o lavado en, o empapado con o manchado de petróleo o gasolina, disolventes de limpieza en seco u otras sustancias inflamables o explosivas. Las sustancias altamente inflamables utilizadas comúnmente en entornos domésticos, como el aceite para cocinar, la acetona, el alcohol desnaturalizado, el queroseno, los quitamanchas, el aguarrás, las ceras y los limpiadores de cera. Compruebe que estas prendas se hayan lavado en agua caliente con una cantidad extra de detergente antes de secarlas en la secadora.
- No seque prendas que contengan goma espuma (también conocida como espuma látex), o materiales de textura similar. Al calentarse, los materiales de goma espuma producen fuego por combustión espontánea.
- No deben utilizarse en la secadora suavizantes o productos similares para eliminar los efectos de la electricidad estática, a menos que lo haya recomendado específicamente el fabricante del suavizante.
- No seque ropa interior que contenga refuerzos metálicos, por ejemplo, sujetadores con varillas de refuerzo metálicas. La secadora puede dañarse si los refuerzos metálicos salen durante el secado.
- No seque prendas de caucho o plástico como gorros de ducha o que contengan goma espuma (también conocida como espuma látex), o protecciones impermeables para bebés, polietileno o papel.
- No seque prendas con refuerzo de caucho, con almohadillas de goma espuma, cojines, chanclas y zapatillas de tenis revestidas de caucho.

- Vaciar los bolsillos de todos los objetos, como encendedores o fósforos.

**! ATENCIÓN: no detener nunca la secadora antes del final del ciclo de secado a menos que todas las prendas no sean quitadas con rapidez y se extiendan para disipar el calor.**

## Ahorro energético y respeto por el medio ambiente

- Antes de secar las prendas, estrujarlas para eliminar la mayor cantidad de agua posible (si se utiliza antes la lavadora programar un ciclo de centrifuga). De este modo se ahorra energía durante el secado.
- Utilizar siempre la secadora con la carga completa, así se ahorra energía: prendas separadas y pequeñas cargas requieren más tiempo para secarse.
- Limpiar el filtro al final de cada ciclo para contener los costos relativos al consumo energético (ver mantenimiento).



# Cuidados y mantenimiento

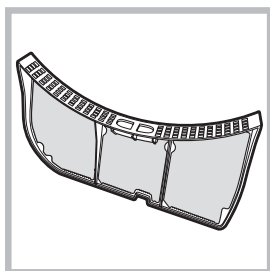
ES

## Interrupción de la alimentación eléctrica

! Desconecte la secadora cuando no esté funcionando, del mismo modo durante las operaciones de limpieza y mantenimiento.

## Limpeza del filtro después de cada ciclo

El filtro es un componente fundamental del secado: su función es la de recoger los residuos de lana y la pelusa que se forman durante el secado.

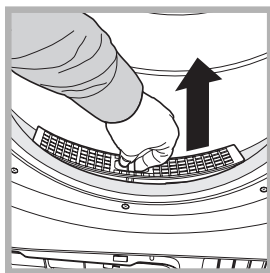


Al finalizar el secado limpie el filtro aclarándolo debajo de agua corriente o limpiándolo con una aspiradora. Si el filtro se atasca, el flujo de aire en el interior de la secadora se verá gravemente comprometido: los tiempos de secado

se prolongan y se consume más energía. Además, pueden producirse averías en la secadora.

El filtro se encuentra delante de la guarnición de la secadora (ver figura).

Remoción del filtro:



1. Tire hacia arriba la manija de plástico del filtro (ver la figura).
2. Elimine la pelusa del filtro y colóquelo correctamente. Controle que el filtro se introduzca completamente a ras de la guarnición de la secadora.

! No utilice la secadora si antes no se coloca el filtro en su lugar.

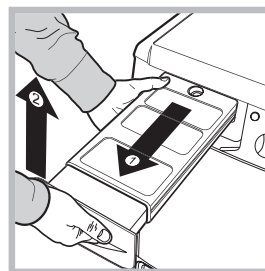
## Control del cesto después de cada ciclo

Gire el cesto manualmente para quitar las prendas más pequeñas (pañuelos) que podrían quedar dentro de la secadora.

## Limpeza del cesto

! Para la limpieza del cesto no utilice elementos abrasivos, esponja de acero o agentes de limpieza para acero inoxidable. Podría formarse una pátina coloreada en el cesto de acero inoxidable, fenómeno que podría generarse por una combinación de agua con agentes de limpieza como suavizantes de lavado. Esta pátina de color no tiene ningún efecto sobre las prestaciones de la secadora.

## Vaciado del contenedor de recolección del agua después de cada ciclo



Saque el contenedor de la secadora y vacíelo en un fregadero o en otro espacio de descarga adecuado, luego vuelva a posicionarlo de forma correcta.

Siempre se debe controlar el contenedor de recolección y vaciarlo antes de comenzar un programa nuevo de secado.

Si el contenedor de recolección no se vacía, el agua podría ocasionar que:

- Se detenga el calentamiento de la máquina (por lo tanto la carga podría estar todavía húmeda al finalizar el ciclo de secado).
- El led "Vaciar cubeta" se ilumine para advertir que el contenedor está lleno.

## Carga del sistema de recolección de agua

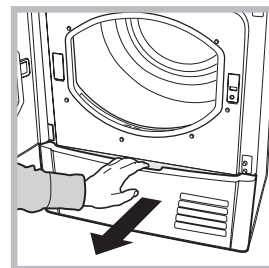
Cuando la secadora es nueva, el contenedor de recolección de agua no recoge hasta que el sistema no se carga. Esta operación puede implicar 1 o 2 ciclos de secado. Una vez cargado, el sistema recoge agua en cada ciclo.

## Limpeza del Filtro de la Bomba de Calor

• Periódicamente, cada 5 ciclos, extraiga el Filtro de la Bomba de Calor y elimine los residuos de pelusa de su superficie lavándolo bajo el agua corriente o aspirándolo con una aspiradora. De todos modos, para optimizar las prestaciones de secado se recomienda limpiar este filtro después de cada ciclo.

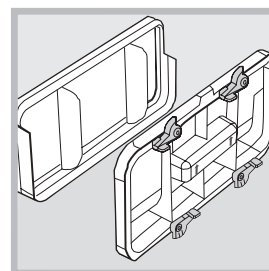
Cómo quitar la unidad Filtro Bomba de Calor:

1. Desenchufe el aparato y abra la puerta.
2. Quite la tapa del Filtro de la Bomba de Calor, gire las 4 grapas hasta la posición vertical y extraiga la unidad del filtro.
3. Separe las dos partes del filtro y quite la pelusa de la superficie interna de la red.

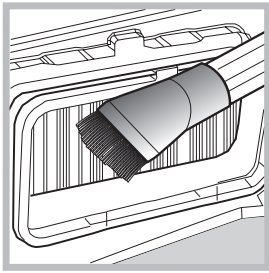


**! ATENCIÓN: la parte frontal de la bomba de calor está compuesta por delgadas placas metálicas.**

Cuando lo limpie, lo quite o vuelva a colocar la unidad filtrante para la limpieza, tenga cuidado de no dañarlo y de no cortarse.







4. Junto a la bomba de calor, hay que limpiar atentamente, la acumulación de pelusas en las planchas metálicas, utilizando un paño húmedo, una esponja o el aspirador. No use los dedos.

5. Vuelva a ensamblar las dos partes del filtro, limpie la superficie de la junta e introduzca el filtro en su lugar, luego gire las 4 grapas hasta la posición horizontal controlando que queden bien enganchadas.

### Limpeza de la secadora

- Las partes externas de metal o de plástico y las partes de goma pueden limpiarse con un paño húmedo.
- Periódicamente (cada 6 meses) limpie con una aspiradora la rejilla de la toma de aire frontal y los respiraderos en la parte trasera de la secadora para quitar la pelusa acumulada, residuos de lana y polvo. También se deben quitar las acumulaciones de pelusa de la parte frontal del condensador y de las zonas del filtro, utilizando ocasionalmente la aspiradora.

! No use solventes ni elementos abrasivos.

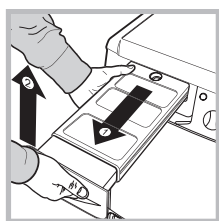
! Haga controlar con regularidad la secadora por personal técnico autorizado para garantizar la seguridad de las piezas eléctricas y mecánicas (ver *Asistencia Técnica*).

### Consejos Rápidos

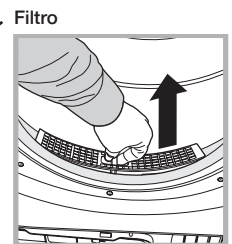
! Recuerda limpiar el filtro puerta y la **bomba de calor** tras cada secado.

! Recuerda vaciar el contenedor de recolección de agua tras cada carga.

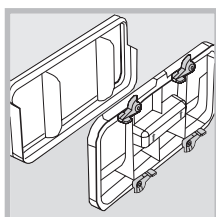
! **Procediendo de esta manera ¡podrás obtener el máximo de prestaciones!**



Contenedor de recolección de agua



Filtro



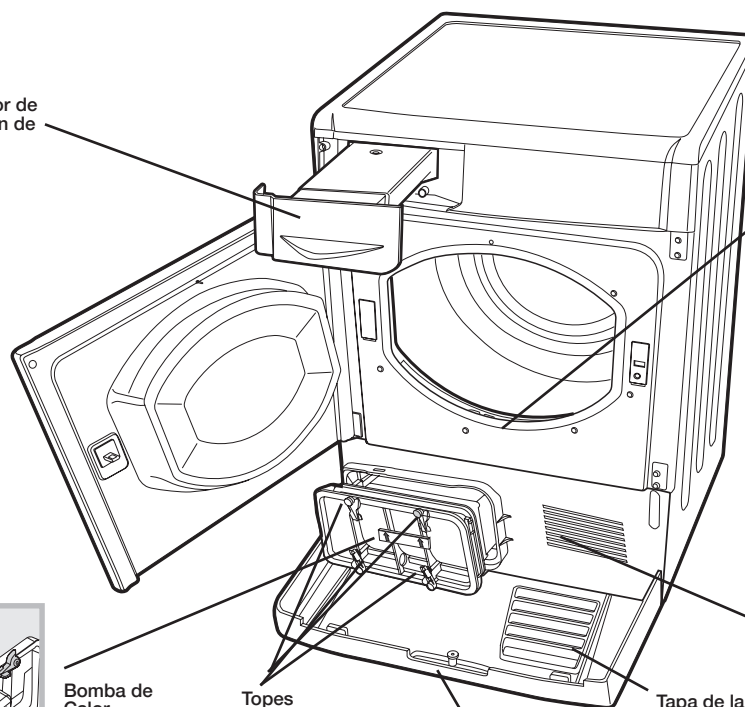
Bomba de Calor

Topes

Manija

Tapa de la Bomba de Calor

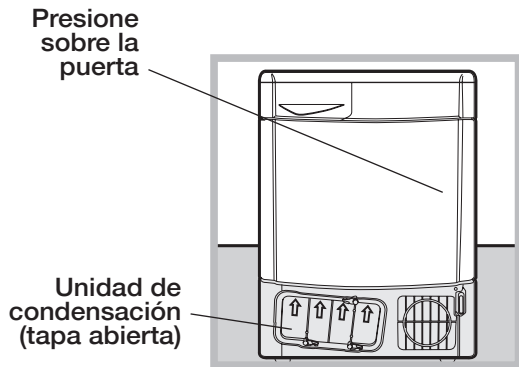
Toma de aire



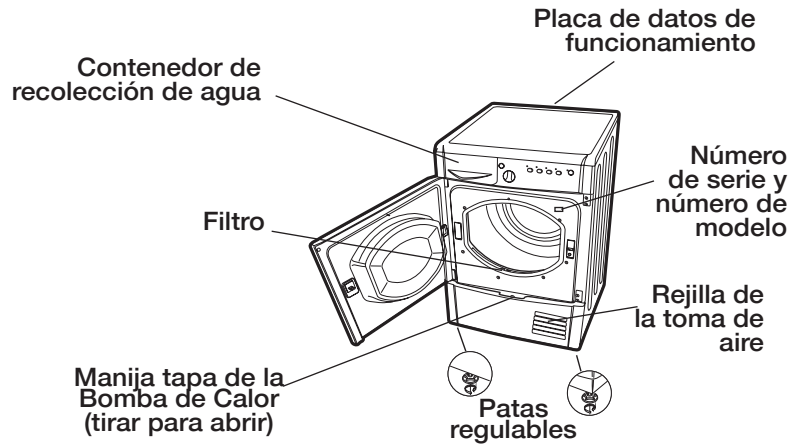
# Descripción de la secadora

ES

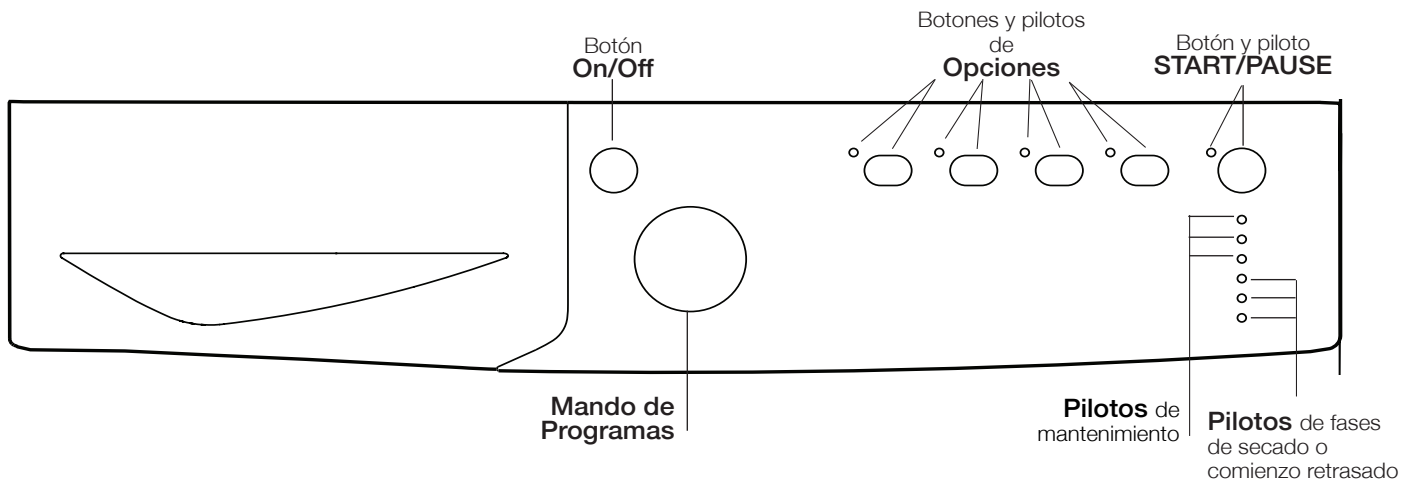
## Abertura de la puerta



## Características



## Panel de control



### Botón ON/OFF/Reset

Presionar en forma normal el botón para encender y apagar el aparato. Si la secadora está en funcionamiento, una presión prolongada durante 3 segundos apaga el aparato y reactiva el ciclo en curso.

### Mando de Programas

Permite seleccionar el programa : gire hasta que el indicador esté orientado hacia el programa deseado (ver *Puesta en marcha y Selección del programa*).

### Botones de opciones

Permiten elegir las opciones disponibles para el programa seleccionado. Los pilotos se encienden para señalar que la opción ha sido seleccionada (ver *Programas y opciones*).

### Botón y piloto START/PAUSE

Cuando el piloto verde centellea lentamente, presione el botón para que comience el programa. Cuando el ciclo ha comenzado, el piloto de señalización permanece siempre encendido. Para poner el programa en pausa, presione nuevamente el botón; el piloto se vuelve de color anaranjado y comienza de nuevo a centellear.

Para reactivar el programa a partir del punto en el que había sido interrumpido, presione nuevamente el botón (ver *Puesta en marcha y Selección del programa*).

## Pilotos


### Pilotos de mantenimiento

Los pilotos suministran información importante. He aquí lo que nos dicen:

El Piloto “vaciar cubeta”  indica que es necesario vaciar el contenedor de recolección de agua.

Si el contenedor se llena durante el desarrollo del programa, el led se enciende. Automáticamente la secadora pone en marcha el ciclo de aire frío y el led START/PAUSE se vuelve color ámbar. Para volver a poner en funcionamiento el ciclo a partir del punto en el que había sido interrumpido, presione el botón START/PAUSE.

Para evitar este procedimiento, vacíe siempre el contenedor de recolección de agua cada vez que se utiliza la secadora (ver *Mantenimiento*).

El Piloto de limpieza del filtro  recuerda, antes de cada programa, que es fundamental limpiar el filtro cada vez que se utiliza la secadora (ver *Mantenimiento*).

El Piloto de limpieza del “Filtro de la Bomba de Calor”  recuerda que es fundamental limpiar el condensador periódicamente (ver *Mantenimiento*).

### Pilotos “Fases de secado”

El Piloto  indica que se está ejecutando la fase de secado.

El Piloto  indica que se está ejecutando la fase de enfriamiento.

El Piloto **END** indica el final del programa.

### Pilotos “comienzo retrasado”

Si se ha activado la función “Comienzo retrasado” (ver *“Programas y opciones”*), después de haber puesto en marcha el programa, comenzará a centellear el piloto correspondiente al retraso seleccionado:



Con el transcurrir del tiempo se visualizará el retraso residual con el centelleo de la luz testigo correspondiente:



Una vez transcurrido el tiempo de retraso seleccionado, comenzará el programa.

# Cómo realizar un secado

ES

## Puesta en marcha y selección del programa

1. Introduzca el enchufe de la secadora en la toma de alimentación eléctrica.
2. Seleccione el programa en función del tipo de ropa (*ver Ropa*).
3. Abra la puerta y controle que el filtro esté limpio y en posición y que el contenedor de recolección de agua esté vacío y colocado correctamente (*ver Mantenimiento*).
4. Cargue la máquina teniendo cuidado que ninguna prenda se interponga entre la puerta y la junta. Cierre la puerta.
5. Presione el botón ON/OFF para poner en funcionamiento la máquina.
6. Gire el mando de Programas hasta que el indicador esté orientado hacia el programa correspondiente al tipo de tejido que se va a secar, consultando la tabla de programas (*ver Programas y opciones*) y las indicaciones para cada tipo de tejido (*ver Ropa*).  
**!** Atención: si después de haber presionado el botón de START/PAUSE, se cambia la posición del mando de programas, la nueva posición NO modifica el programa seleccionado. Para modificar el programa, presione el botón START/PAUSE que pondrá en pausa el programa (el piloto centellea de color anaranjado), elija el nuevo programa y las opciones correspondientes. Presione el botón START/PAUSE para poner en marcha el programa nuevo.
7. Si fuera necesario fije el tiempo de comienzo retrasado y las otras opciones (*ver Programas y opciones*).
8. Para comenzar presione el botón START/PAUSE.  
Durante el programa de secado es posible controlar la ropa y sacar las prendas que se hayan secado dejando que las otras continúen. Después de cerrar la puerta, presione START/PAUSE para poner de nuevo en funcionamiento la máquina.
9. Durante los últimos minutos de los programas de secado, comienza la fase final de SECADO EN FRÍO (los tejidos son enfriados); es necesario dejar siempre que esta fase termine.
10. El encendido del piloto **END** indica que el programa ha terminado. Al finalizar el programa, suena 3 veces una señal acústica. Abra la puerta, saque la ropa, limpie el filtro y vuelva a colocarlo en su lugar. Vacíe el contenedor de recolección de agua y vuelva a colocarlo en su posición (*ver Mantenimiento*).  
Si se ha seleccionado la opción "**Antiarrugas**" y no se quita la ropa inmediatamente, las prendas se hacen girar de vez en cuando durante las 10 horas siguientes o hasta que se abra la puerta.
11. Desconecte la secadora de la red eléctrica.

## Modalidad de stand by

Esta secadora está en conformidad con las nuevas normativas vinculadas al ahorro energético. Está dotada de un sistema de auto-apagado (stand by) que, en caso de no funcionamiento, se activa pasados aproximadamente 30 minutos. Pulsar y mantener pulsada la tecla **ON/OFF** hasta que la secadora se reactive.

## Tabla de programas

	Programa	Carga máx. (kg)	Opciones compatibles	Duración del ciclo <sup>3</sup>
<b>Fast &amp; Easy</b>				
1	Exprés 45'	1	Antiarrugas - Comienzo retrasado.	45'
2	Mixtos	3	Antiarrugas - Comienzo retrasado.	100'
3	Algodón planchado rápido	Max.	Cuidado Extra - Antiarrugas - Comienzo retrasado.	170'
4	Sintéticos planchado rápido	4	Antiarrugas - Comienzo retrasado.	65'
<b>Essentials</b>				
5	Algodón Normal <sup>2</sup>	Max.	Cuidado Extra - Ahorro Energía <sup>1</sup> - Antiarrugas - Comienzo retrasado.	195'
6	Algodón Extra seco	Max.	Antiarrugas - Comienzo retrasado.	205'
7	Sintéticos	4	Ahorro Energía <sup>1</sup> - Antiarrugas - Comienzo retrasado.	95'
8	Vaqueros	3	Antiarrugas - Comienzo retrasado.	135'
<b>Special Care</b>				
9	Bebé&Delicados	2	Antiarrugas - Comienzo retrasado.	80'
10	Lana	1	-	60'
11	Edredones	1,5	Antiarrugas - Comienzo retrasado.	100'
12	Sport Shoes	1 paio	-	100'
<b>Timed &amp; Post Dry</b>				
13	60 minutos	-	Cuidado Extra - Antiarrugas - Comienzo retrasado.	-
14	120 minutos	-	Cuidado Extra - Antiarrugas - Comienzo retrasado.	-
15	Plancha fácil	-	-	10'
16	Refresca	2,5	-	20'

**NOTA:** 1 con esta opción la carga máxima se modifica. Comprobar en la descripción de las opciones. 2 Algodón normal es el programa más eficiente en términos de consumo de energía (UE 392/2012). 3 La duración de dichos programas depende de la cantidad de la carga, del tipo de tejido, de la velocidad de centrifugado elegida y de cualquier otra función adicional seleccionada.

## Programas Especiales/Sport/Parciales

### Exprés 45'

un programa rápido a tiempo, ideal para secar prendas centrifugadas a alta velocidad en la lavadora, por ejemplo las camisas utilizadas en una semana de trabajo.

### Mixtos

Este es el programa ideal para secar juntos los tejidos de algodón y los sintéticos.

**Algodón Normal:** nivel de secado que permite secar las prendas para guardarlas directamente en el ropero

**Algodón Extra seco:** nivel de secado que permite obtener el máximo nivel de secado. Más seco que el Algodón Normal.

### Programa Vaqueros


Este es un programa para vaqueros de algodón denim. Antes de secar los vaqueros saque los bolsillos hacia afuera. No mezcle artículos oscuros con claros. Se puede usar también para otras prendas del mismo material, como chaquetas/cazadoras. Las prendas que se han secado con la configuración Secado extra, normalmente están listas para ponérselas, aunque las costuras o los bordes pueden estar todavía ligeramente mojados. En este caso, pruebe a dar la vuelta a los vaqueros y realice de nuevo el programa durante un breve periodo.

“¡No es aconsejable usar este programa con vaqueros que tengan bandas elásticas, clavos o bordados!”.

### Bebé&Delicados

Un programa concebido específicamente para secar la ropa de vestir y de cama de recién nacidos (algodón y chenilla) y las prendas delicadas. No secar artículos con revestimientos de plástico.

### Programa Lana

Este es un programa dedicado a las prendas que soportan el secado en tambor marcadas con el símbolo . Puede utilizarse para cargas de hasta **1 kg** (aproximadamente 3 jerseys). Se aconseja dar vuelta las prendas antes del secado. Este programa requiere aprox. **1:00** (hrs:mins), pero puede durar más tiempo dependiendo del tamaño y la densidad de la carga y de la velocidad del centrifugado empleada en la lavadora. Las cargas secadas con este programa en general están listas para usar, pero en algunas prendas más gruesas los bordes podrían estar levemente húmedos. Déjelas secar naturalmente ya que otro proceso de secado podría dañar las prendas.

! A diferencia de otros materiales, el encogido de la lana es irreversible, es decir la prenda no vuelve al tamaño y forma originales.

! Este programa no se aconseja para prendas acrílicas.

### Edredones

Un ciclo estudiado para secar plumíferos y edredones manteniendo su suavidad natural (2 chaquetas).

### Programa Sport Shoes

Este es un programa para secar un par de calzado deportivo. El calzado debe haber sido lavado y centrifugado a una velocidad mínima de **400 revoluciones**.

Se deben usar con la rejilla para calzado suministrada con la secadora. Si se seca calzado en el tambor, la secadora se dañará.

Quite el filtro de su posición en la parte delantera de la secadora y coloque la rejilla.

Introduzca los cordones dentro del calzado y colóquelo con las puntas dirigidas hacia abajo y las suelas hacia delante.

Los tiempos de secado varían según la forma y el tipo de calzado. Si el calzado no está completamente seco al finalizar el programa, póngalo en marcha nuevamente.

! No seque calzado con gel en su interior o luces centelleantes. Seque sólo calzado fabricado con material sintético o tela. Al finalizar el programa, quite la rejilla para calzado y vuelva a colocar el filtro.

### Plancha fácil

Es un programa breve de 10 minutos que estira las fibras de las prendas para que sea más fácil plancharlas y doblarlas.

El programa es particularmente indicado para los tejidos de Algodón o Algodón mezcla.

Para obtener resultados óptimos, no cargue el cesto superando su capacidad máxima (los siguientes valores se refieren al peso de las prendas secas):

Tejido: carga máxima. Algodón y Algodón mezcla: **2,5 kg**. Prendas sintéticas: **2 kg**. Jeans: **2 kg**

Vacíe la secadora enseguida después de finalizar el programa; cuelgue, doble o planche las prendas y luego colóquelas en el ropero. Si esto no fuese posible, repita el programa.

! Este no es un programa de secado y, por lo tanto, no se utiliza con prendas aún mojadas.

El efecto producido por el programa cambia de un tejido a otro: las características de los tejidos como fibras acrílicas o Tencel® no permiten obtener los mismos resultados que las fibras tradicionales (por ej. algodón).

### Refresca

Programa breve ideal para refrescar fibras y prendas a través de la emisión de aire fresco. Dura aproximadamente **20 minutos**.

! Este no es un programa de secado y, por lo tanto, no se utiliza con prendas aún mojadas.

Puede utilizarse con cualquier tamaño de carga, pero es más efectivo con cargas pequeñas.

Tejidos	Carga				
	1 kg	2 kg	3 kg	- kg	- kg
Algodón – Alta temperatura	60 minutos	60 o 120 minutos	120 minutos	-	-
Sintéticos – Baja temperatura	60 minutos	60 minutos	60 o 120 minutos	-	-
Acrílicos – Baja temperatura	60 minutos	120 minutos	-	-	-



## Opciones

Las opciones permiten personalizar el programa seleccionado en base a las exigencias personales.

### Cuidado Extra

Una opción concebida para secar con el máximo cuidado las prendas más delicadas. Apretando este botón, el testigo led correspondiente se enciende y el secado se realiza a temperaturas más bajas. Al activar esta función, la duración del ciclo aumenta. Esta opción es compatible con todos los ciclos a tiempo.

### Ahorro Energía

Una opción concebida para optimizar los resultados de secado en caso de cargas pequeñas ( algodón carga máx 2 kg y sintéticos carga máx 1 kg) reduciendo al mínimo los consumos y los tiempos de secado.

### Antiarrugas

Esta opción activa automáticamente un tratamiento antiarrugas antes y después del secado. El sistema antiarrugas mediante la rotación alternada del tambor previene la formación de las arrugas haciendo girar varias veces las prendas. La opción prevé una fase pre-antiarrugas, que se puede accionar solo cuando se activa la puesta en marcha retardada y una fase post-antiarrugas al final del ciclo de secado.

El antiarrugas es por lo tanto la mejor solución para evitar la formación de arrugas cuando se activa el inicio retardado y cuando no hay posibilidad de sacar las prendas recién acabado el secado.

### Comienzo retrasado

El comienzo de algunos programas (*ver Programas y opciones*) puede retrasarse hasta **9** horas. Presione varias veces el botón hasta alcanzar el retraso deseado. Antes de programar un comienzo retrasado asegurarse que el contenedor de recolección de agua esté vacío y que el filtro esté limpio.

! No todas las opciones se encuentran disponibles para todos los programas(*ver Programas y opciones*).

## Abertura de la puerta

Si se abre la puerta (o se presiona el botón START/PAUSE) durante el funcionamiento de un programa, la secadora se detiene y se producen las siguientes consecuencias.

- El piloto START/PAUSE centellea de color anaranjado.
- En el comienzo retrasado el retraso sigue contándose. Es necesario presionar el botón de START/PAUSE para reanudar el programa de comienzo retrasado. Uno de los pilotos del "Comienzo retrasado" centellea indicando la programación de retraso corriente.
- Es necesario presionar el botón de START/PAUSE para reanudar el programa. Los pilotos de avance indican la fase actual y el piloto START/PAUSE deja de centellear y cambia a color verde.
- Durante la fase antiarrugas post secado, el programa finaliza. Presionando el botón START/PAUSE recomienza un programa nuevo desde el principio.
- Girando el mando de Programas se selecciona un programa nuevo y el piloto START/PAUSE centellea de color verde. Se puede utilizar este procedimiento para seleccionar el programa Secado en frío para enfriar las prendas si se considera que ya están suficientemente secas.

Presione el botón START/PAUSE para poner en marcha el programa nuevo.

### Protección del sistema Bomba de Calor

El sistema de bomba de calor funciona a través de un compresor que posee una protección que interviene si se abre la puerta, o si se produce una imprevista interrupción de corriente. Esta protección impedirá un nuevo arranque del compresor hasta 5 minutos después que se haya cerrado la puerta o que se haya reanudado el ciclo.

**Nota:** En caso de corte de suministro eléctrico, apagar el aparato y desconectar la clavija. Al reanudarse el suministro eléctrico, pulsar y mantener pulsada la tecla ON/OFF hasta que la secadora se reactive, y luego pulsar Start/Pause.

## Subdivisión de la ropa

- Controle los símbolos de la etiqueta de las diferentes prendas para comprobar si las prendas pueden someterse a un secado en tambor.
- Divida la ropa a lavar en función del tipo de tejido.
- Vacíe los bolsillos y controle los botones.
- Cierre las cremalleras y los ganchos y ate los cintos y lazos sin ajustar.
- Estruje las prendas para eliminar la mayor cantidad de agua posible.

! No cargue la secadora con prendas completamente empapadas de agua.

### Máximas dimensiones de carga

No cargue el cesto por encima de su capacidad máxima. Los siguientes valores se refieren al peso de las prendas secas:

Fibras naturales: máximo 7 kg  
Fibras sintéticas: máximo 4 kg

! Para evitar una disminución de las prestaciones de la secadora, no la sobrecargue.

## Etiquetas de mantenimiento

Controle las etiquetas de las prendas, en especial cuando se introducen por primera vez en la secadora. A continuación se reproducen los símbolos más comunes:

- Puede utilizarse en la secadora.
- No se puede secar en secadora
- Secar a alta temperatura.
- Secar a baja temperatura.

## Tiempos de secado

Los tiempos son aproximados y pueden variar en función de:

- La cantidad de agua retenida por las prendas después de la centrifugación: las toallas y las prendas delicadas retienen mucha agua.
- Tejidos: las prendas del mismo tejido, pero con trama y espesor diferentes pueden requerir tiempos de secado diferentes.
- Cantidad de ropa: prendas individuales y pequeñas cargas pueden requerir más tiempo para secarse.
- Secado: si las prendas deben ser planchadas es posible extraerlas de la máquina cuando aún están húmedas. Las prendas que deben estar totalmente secas pueden dejarse más tiempo.
- Temperatura programada.
- Temperatura de la habitación: mientras más baja es la temperatura de la habitación en la que se encuentra la secadora, más tiempo será necesario para el secado de las prendas.
- Volumen: algunas prendas voluminosas requieren especial cuidado durante el proceso de secado. Se aconseja sacar las prendas, sacudirlas e introducirlas nuevamente en la secadora: esta operación debe repetirse varias veces durante el ciclo de secado.

! No seque demasiado las prendas. Todos los tejidos contienen humedad natural que los mantiene suaves y vaporosos.

Los tiempos indicados se refieren a los programas automáticos Secado ropero. Los pesos se refieren a las prendas secas.

## Tiempos de secado automático

Algodón Temperatura Alta						
Tiempos de secado después de lavados de 800 – 1000 rpm						
1 kg	2 kg	3 kg	4 kg	5 kg	6 kg	7 kg
60 - 90 minutos	80 - 100 minutos	100 - 130 minutos	120-140 minutos	140 - 180 minutos	150 - 190 minutos	170 - 200 minutos
Sintéticos Baja Temperatura						
Tiempos de secado después de lavados a velocidades inferiores						
1 kg	2 kg	3 kg	4 kg			
40 - 50 minutos	50 - 60 minutos	60 - 90 minutos	90 - 110 minutos			
Acrílicos Baja Temperatura						
Tiempos de secado después de lavados a velocidades inferiores						
1 kg			2 kg			
40 - 80 minutos			80 - 140 minutos			

Cuando tenga la sensación de que la secadora no funciona de forma correcta, antes de llamar al Centro de asistencia técnica (ver *Asistencia Técnica*) consulte atentamente las siguientes sugerencias para la solución de los problemas.

## Problema:

## Causas probables/soluciones:

### La secadora no arranca.

- El enchufe no está conectado a la toma de corriente de la pared lo bastante profundo como para que haga contacto.
- Ha habido una interrupción de corriente.
- El fusible está quemado. Intente conectar otro electrodoméstico en la misma toma.
- Si se emplea un prolongador, intente conectar el enchufe de la secadora directamente en la toma.
- La puerta no ha sido cerrada correctamente.
- El programa no ha sido programado de forma correcta (ver *Cómo realizar un secado*).
- No se ha presionado el botón START/PAUSE (ver *Cómo realizar un secado*).
- En las máquinas equipadas con la función CERRADO, controle que la opción no esté seleccionada (ver *Programas y opciones*).

### El ciclo de secado no comienza.

- Ha sido programado un tiempo de retraso (ver *Programas y opciones*).
- Se ha presionado el botón START/PAUSE; antes de la puesta en marcha de la secadora es necesario esperar un breve retraso. Espere el comienzo del secado, no presione de nuevo el botón START/PAUSE: de lo contrario la secadora entra en la modalidad pausa y no arranca.

### Los tiempos de secado son prolongados.

- El filtro no se ha limpiado (ver *Mantenimiento*).
- ¿Debe vaciarse el contenedor de recolección de agua? El piloto "Vaciar cubeta" centellea (ver *Mantenimiento*).
- El condensador o el Filtro del la Bomba de Calor, debe ser limpiado (ver *Mantenimiento*).
- La temperatura programada no se adapta al tipo de tejido a secar (ver *Programas y opciones*).
- No se ha seleccionado el tiempo de secado correcto para esta carga (ver *Ropa*).
- La rejilla de la toma de aire o los respiraderos de la parte posterior están obstruidos (ver *Instalación y Mantenimiento*).
- Las prendas están demasiado mojadas (ver *Ropa*).
- La secadora está sobrecargada (ver *Ropa*).

### El piloto "Vaciar cubeta" centellea.

- Es probable que el contenedor de recolección del agua no haya sido vaciado al comenzar el programa. No espere la señal de vaciado del agua (Suena 3 veces una señal acústica y el piloto "Vaciar cubeta" está centellea), controle siempre el contenedor y vacíelo antes de comenzar un programa de secado nuevo (ver *Descripción de la secadora*).

### El programa finaliza y las prendas están más húmedas de lo previsto

- ! Por motivos de seguridad, los programas de la secadora tienen una duración máxima de 5 horas. Si un programa automático no detecta la humedad final requerida dentro de este intervalo de tiempo, la secadora completa el programa y se detiene. Controle los puntos arriba indicados y repita el programa; si las prendas siguen estando húmedas llame al Centro de asistencia técnica (ver *Asistencia Técnica*).

### Los pilotos de las "opciones" y el piloto de "START/PAUSE" centellean y uno de los pilotos de "mantenimiento" o de las "fases de secado" se encienden fijos.

- Apague el aparato y desenchúfelo, limpie el filtro y el condensador (ver *Cuidados y Mantenimiento*). Luego, vuelva a enchufarlo, encienda el electrodoméstico y ponga en marcha otro programa. Si la anomalía persiste, llame al Servicio de Asistencia Técnica.

### La secadora hace ruido durante los primeros minutos de funcionamiento.

- Es normal, especialmente si la secadora no ha sido utilizada por un tiempo prolongado. Si el ruido continúa durante todo el ciclo, llame al centro de asistencia técnica.

### Las luces del panel de control de la secadora están apagadas aunque la secadora esté encendida.

- La secadora se ha puesto en modo standby para ahorrar energía. Esto ocurre si la secadora se ha dejado encendida o si ha habido un corte de suministro de energía. Ocurre después de 30 minutos:
- si la secadora se deja con un programa sin empezar;
  - cuando el programa de secado ha terminado.
- Pulsar y mantener pulsada la tecla ON/OFF hasta que la secadora se reactive.

# Asistencia Técnica

ES

## Sistema con bomba de calor

Esta secadora posee un sistema con bomba de calor para secar sus prendas. Para permitir su funcionamiento, la bomba de calor utiliza gases de efecto invernadero (gases fluorados) que están contemplados en el Protocolo de Kyoto. Los gases F están contenidos en una unidad sellada herméticamente. Esta unidad estanca contiene 0,29 kg de gas R134a F que actúa como refrigerante.

Si la unidad se daña, debe ser sustituida con una nueva. Para obtener mayor información, llame al Centro de Asistencia Técnica más cercano.

**Nota:** Los gases contenidos en una unidad sellada herméticamente no son peligrosos para la salud, pero si se escapan, producirán un impacto sobre el calentamiento global.

## Antes de llamar al Centro de asistencia técnica:

- Consulte la guía para la solución de los problemas para ver si es posible solucionar la avería personalmente (ver *Problemas y soluciones*).
- De lo contrario, apague la secadora y llame al Centro de asistencia técnica más cercano.

## Información para el reciclaje y el desguace

Dentro del ámbito de nuestro esfuerzo permanente en defensa del medioambiente nos reservamos el derecho de utilizar componentes reciclados de calidad para reducir los costos del cliente y minimizar el derroche de materiales.

- Eliminación del material de embalaje: respetar la normativa local, de este modo se podrá reciclar el embalaje.
- Para reducir el riesgo de accidentes para los niños, quitar la puerta y el enchufe, cortar el cable de alimentación del aparato. Eliminar estas partes por separado para asegurarse que el electrodoméstico no pueda ser conectado a una toma de corriente.

## Eliminación



La norma Europea 2012/19/CE sobre la eliminación de aparatos eléctricos y electrónicos (RAEE), indica que los electrodomésticos no deben ser eliminados de la misma manera que los desechos sólidos urbanos. Los aparatos en desuso se deben recoger separadamente para optimizar el porcentaje de recuperación y reciclaje de los materiales que los componen e impedir potenciales daños para la salud y el medio ambiente.

Esta secadora utiliza una bomba de calor estanca que contiene gases fluorados que deben ser recuperados y eliminados.

El símbolo de la papelera tachada se encuentra en todos los productos para recordar la obligación de recolección separada.

Para mayor información sobre la correcta eliminación de los electrodomésticos, los poseedores de los mismos podrán dirigirse al servicio público responsable o a los revendedores.

## Datos a comunicar al Centro de asistencia técnica:

- Nombre, dirección y código postal;
- número de teléfono;
- el tipo de avería;
- la fecha de compra;
- el modelo de aparato (Mod.);
- el número de serie (S/N) de la secadora.

Esta información se encuentra en la etiqueta de datos colocada detrás de la puerta.

## Repuestos

Esta secadora es una máquina compleja. Intentando repararla personalmente o encargando su reparación a personal no cualificado, se puede poner en riesgo la seguridad de las personas, además de averiar la máquina y que la garantía sobre los repuestos caduque.

En caso de problemas con el uso de la máquina, llame siempre a un técnico autorizado.



**El presente electrodoméstico está en conformidad con las siguientes directivas CE:**

- 2006/95/CE (Directiva de baja tensión);
- 2004/108/CE (Compatibilidad electromagnética).


## MÁQUINA DE SECAR ROUPA

PT

Português

EDPA 745 A ECO

[www.indesit.com](http://www.indesit.com)

 Este símbolo serve para lembrar-te de ler este manual de instruções.

! Mantenha o presente manual num local acessível para poder consultá-lo facilmente sempre que necessário. Mantenha sempre o manual junto da máquina de secar roupa. Se a máquina for vendida ou cedida a outras pessoas, faça-a acompanhar deste manual, para que os novos proprietários possam conhecer as advertências e sugestões relacionadas com a utilização da mesma.

! Leia com atenção estas instruções: as páginas seguintes contêm informações importantes sobre a instalação e sugestões úteis sobre o funcionamento do electrodoméstico.

## Índice

### Instalação, 50

Onde instalar a máquina de secar roupa?  
Ventilação  
Ligação eléctrica  
Informações preliminares

### Advertências, 52

Segurança geral  
Economia energética e respeito pelo meio ambiente

### Cuidados e manutenção, 54

Interrupção da alimentação eléctrica  
Limpeza do filtro no fim de cada ciclo  
Controlo do tambor no fim de cada ciclo  
Esvaziamento do recipiente de recolha da água no fim de cada ciclo  
Limpeza da unidade de Filtro da Bomba de Calor  
Limpeza da máquina de secar roupa

### Descrição da máquina de secar roupa, 56

Características  
Painel de comandos

### Como efectuar uma secagem, 58

Início e escolha do programa

### Programas e opções, 59

Tabela dos programas  
Programas Especiais/Sport/Parciais  
Opções  
Abertura da porta

### Roupa, 62

Triagem da roupa  
Etiquetas de manutenção  
Tempos de secagem

### Problemas e soluções, 63

### Assistência, 64

Peças de reposição  
Informações sobre a reciclagem e a eliminação

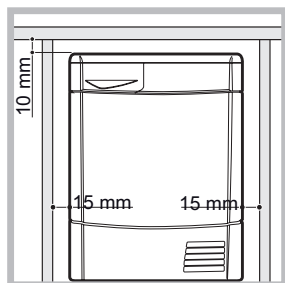
PT

# Instalação

PT

## Onde instalar a máquina de secar roupa?

• As chamas podem danificar a máquina de secar roupa, que deve pois ser instalada num local afastado de fogões a gás, aquecedores, radiadores ou placas de cozinha. Para um desempenho ideal, a máquina deve ser instalado à temperatura ambiente entre 20 e 23 °C. Mas irá funcionar a uma temperatura entre 14 e 30 °C. Se o electrodoméstico for instalado sob uma banca, é necessário deixar um espaço de 10 mm entre o painel superior do electrodoméstico e outros objectos colocados sobre o mesmo, e um espaço de 15 mm entre os lados do electrodoméstico e as paredes ou os móveis vizinhos. Deste modo, fica garantida uma circulação do ar adequada. O aparelho deve ser instalado com a superfície traseira posicionada contra uma parede



## Ventilação

• Quando a máquina de secar roupa estiver activa, deve existir ventilação suficiente. Certifique-se de que instala a máquina de secar roupa num local sem humidade e com circulação do ar adequada. O fluxo de ar em torno da máquina de secar é fundamental para permitir a condensação da água produzida durante a lavagem. A máquina de secar roupa não funciona correctamente se estiver instalada num espaço fechado ou no interior de um móvel.

! Se a máquina de secar roupa for utilizada numa divisão pequena ou fria, é possível que se forme uma pequena quantidade de condensados.

! Não é aconselhável instalar a máquina de secar roupa num armário. O electrodoméstico não deve nunca ser instalado por trás de uma porta de fechar à chave, de uma porta de correr nem de uma porta com dobradiças do lado oposto ao da porta da máquina de secar roupa.

## Descarga da água

Se a máquina for colocada junto de um tubo de descarga, é possível fazer defluir a água condensada directamente sem ter de utilizar o recipiente de recolha da água. Neste caso, deixa de ser necessário esvaziar o recipiente de recolha da água no fim de cada ciclo.

Se a máquina de secar roupa for instalada por cima ou ao lado de uma máquina de lavar roupa, pode partilhar a mesma conduta de descarga.

Basta desligar o tubo indicado na figura A e ligá-lo à conduta de descarga.

Se a conduta de descarga estiver a uma distância superior ao comprimento do tubo, para efectuar a ligação, é possível adquirir e ligar um tubo de diâmetro idêntico e com o comprimento necessário.

Para instalar o novo tubo, basta substituir o existente conforme indicado na figura B inserindo-o na mesma posição.

**! A conduta de descarga deve ficar 1 m mais baixa relativamente ao fundo da máquina de secar roupa.**

**! Depois de ter instalado a máquina de secar roupa, certifique-se de que o tubo de descarga não está dobrado nem torcido.**

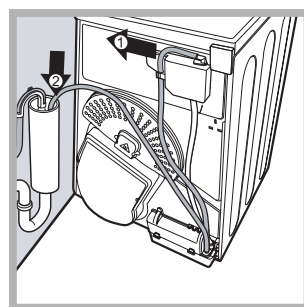


Fig. A

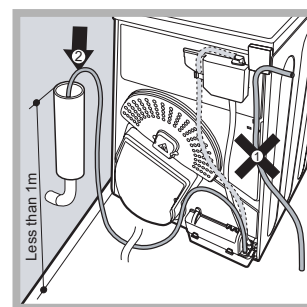


Fig. B

## Ligação eléctrica

Antes de introduzir a ficha na tomada eléctrica, verifique o seguinte:

- Certifique-se de que tem as mãos secas.
- A tomada deve estar equipada com ligação à terra.
- A tomada deve ter capacidade para suportar a potência máxima prevista para a máquina, indicada na placa dos dados de exercício (*consulte Descrição da máquina de secar roupa*).
- A tensão de alimentação deve estar compreendida entre os valores indicados na placa dos dados de exercício (*consulte Descrição da máquina de secar roupa*).
- A tomada deve ser compatível com o tipo de ficha da máquina de secar roupa. Caso contrário, substitua a tomada ou a ficha.

**! NÃO UTILIZE EXTENSÕES.**

! A máquina de secar roupa não pode ser instalada em ambientes externos, mesmo que abrigados. Na verdade, pode ser muito perigoso expor este electrodoméstico à chuva ou a tempestades.

! Após a instalação da máquina de secar, o cabo eléctrico e a ficha devem ser mantidos ao alcance da mão.



! O cabo eléctrico não deve ser dobrado nem esmagado.

! Se a ficha a substituir é do tipo incorporado, é necessário eliminá-la de forma segura. NÃO a deixe onde possa ser inserida numa tomada, podendo provocar choques eléctricos.

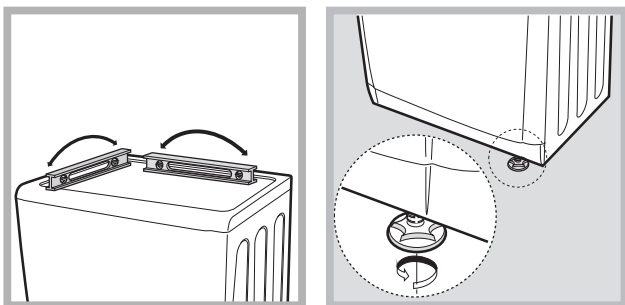
! O cabo eléctrico deve ser verificado periodicamente. Se o cabo de alimentação estiver danificado, deve ser substituído pelo fabricante, pelo seu serviço de assistência ou por pessoal qualificado, para evitar perigos. (consulte Assistência). Os cabos eléctricos novos ou mais compridos são fornecidos por revendedores autorizados por um custo adicional.

**! O fabricante não se responsabiliza pela não observância destas regras. ! Em caso de dúvida relativamente às indicações acima, contacte um electricista qualificado.**

## Nivelamento da máquina de secar roupa

A máquina de secar roupas deve ser instalada numa superfície plana para funcionar correctamente.

Após ter instalado a máquina de secar roupa na posição definitiva, controle o nível antes de um lado ao outro, e depois de frente para trás. Se o aparelho não estiver sobre uma superfície plana, regular os dois pés anteriores para cima ou para baixo, até que esteja nivelado.



## Informações preliminares

Depois de instalada a máquina de secar roupa, antes de a colocar em funcionamento, limpe o interior do tambor e retire a sujidade que se possa ter acumulado durante o transporte.

**ATENÇÃO: antes de utilizar a sua máquina de secar roupas, verifique que tenha ficado na posição vertical por no mínimo 6 horas.**

## Dimensões máximas de carga: 7 kg


<b>Ficha De Produto - Regulamentação 392/2012.</b>	
Marca	Indesit
Modelo	EDPA 745 A ECO (EU)
Capacidade nominal para roupa de algodão para o "programa normal de algodão" em plena carga - kg	7.0
O secador de roupa para uso doméstico é	Por condens.
Classe de eficiência energética numa escala de A+++ (baixos consumos) a D (altos consumos)	A
O consumo anual de energia ponderado (AEC)* kWh 1)	354.0
O secador de roupa para uso doméstico é	Automático
Consumo de energia com carga completa; Edry- kWh 2)	2.96
Consumo de energia com carga parcial; Edry½- kWh 2)	1.63
Consumo de energia: estado de desativação (Po) - Watts	0.14
Consumo de energia: estado inativo (PI) - Watts	1.79
Duração do "estado inativo" no sistema de gestão de energia - minutos	30
Progr. Duração - plena carga e carga parcial ponderada (Tt) - minutos 3)	164
Plena carga (Tdry) - minutos	215
Carga parcial (Tdry½) - minutos	125
Classe de eficiência de condensação numa escala de G (menos eficiente) a A (mais eficiente)	C
Eficiência de condensação média - %	
plena carga e carga parcial ponderada (Ct) 3)	71
plena carga Cdr	71
carga parcial Cdry½	72
Emissão de ruído aéreo - dB(A) re 1 pW	69.0
1) O programa normal de algodão com carga plena e parcial e o programa normal de algodão com carga parcial são os programas normais mencionados nas informações da etiqueta e da ficha. Estes programas são adequados para secar ao nível Armário (0%) as peças de roupa de algodão e são os mais eficientes em termos de consumo energético. A carga parcial é metade da carga nominal.	
2) O consumo por ano baseia-se em 160 ciclos de secagem do programa normal de algodão em plena carga e em carga parcial, e no consumo dos modos de baixo consumo de energia. O valor real do consumo de energia por ciclo depende do modo de utilização do aparelho.	
3) Média calculada de 3 ciclos com carga plena e 4 ciclos com meia carga.	
<b>Regulamentação 932/2012.</b>	
Sintético: consumo de energia com carga completa; kWh	0.92
Sintético: plena carga (Tdry) - minutos	90
Sintético: Carga parcial N/A	

# Advertências

PT

! Este electrodoméstico foi concebido e fabricado em conformidade com as normas internacionais em matéria de segurança. Estas advertências são fornecidas por razões de segurança e devem ser observadas com atenção.

## Segurança geral

- A presente máquina de secar roupa pode ser utilizada por pessoas (incluindo crianças com mais de 8 anos) com capacidades físicas, sensoriais ou mentais reduzidas ou sem experiência e conhecimentos, caso sejam supervisionadas ou se tiverem recebido instruções sobre a utilização do dispositivo por parte de uma pessoa responsável pela sua segurança.
- A presente máquina de secar roupa foi concebida para uso doméstico e não profissional.
- Não toque no electrodoméstico com os pés descalços nem com as mãos ou os pés molhados.
- Desligue o electrodoméstico da rede de alimentação eléctrica, puxando pela ficha e nunca pelo cabo.
- Após a utilização, desligue a máquina de secar roupa e desligue a ficha da rede de alimentação eléctrica. Mantenha a porta da máquina de secar roupa fechada para evitar que as crianças a utilizem nas suas brincadeiras.
- As crianças devem ser mantidas sob vigilância para evitar que brinquem com a máquina.
- A manutenção e limpeza não devem ser efectuadas por crianças sem supervisão.
- As crianças com menos de 3 anos devem ser mantidas afastadas da máquina de secar roupa se não forem constantemente vigiadas.
- O electrodoméstico deve ser instalado correctamente e deve ter uma ventilação adequada. A admissão de ar da parte da frente da máquina de secar roupa e os respiradouros da parte posterior não devem nunca ficar obstruídos (consulte Instalação).
- Nunca utilize a máquina de secar roupa sobre a alcatifa se a altura do pêlo impedir a entrada do ar pela base da máquina.
- Certifique-se de que a máquina está vazia antes de a carregar.
-  A parte posterior da máquina de secar roupa pode ficar muito quente: não toque nunca nela quando a máquina estiver a funcionar.
- Não utilize a secadora sem que o filtro, o recipiente de água e o Filtro da bomba de Calor estejam seguramente afixados nas respectivas posições (consulte Manutenção).
- Não sobrecarregue a máquina de secar roupa (consulte Roupa para as dimensões máximas de carga).
- Não introduza peças de roupa completamente molhadas.
- Siga sempre com atenção todas as instruções indicadas nas etiquetas de lavagem (consulte Roupa).
- Não carregue a máquina com peças grandes e excessivamente volumosas.
- Não seque fibras acrílicas a altas temperaturas.
- Não desligue a máquina de secar roupa quando contiver ainda peças quentes.
- Limpe o filtro após cada utilização (consulte Manutenção).
- Esvazie o recipiente de recolha da água após cada utilização (consulte Manutenção).
- Limpe a unidade do Filtro da bomba de Calor após intervalos regulares (consulte Manutenção).
- Não suba para o painel superior da máquina de secar roupa, pois pode danificá-la.
- Respeite sempre as normas e as características eléctricas (consulte Instalação).
- Adquira sempre acessórios e peças de reposição originais (consulte Assistência).

## Para reduzir o risco de ocorrência de incêndios na máquina de secar roupa, deve ter em conta os seguintes aspectos:

- Seque apenas artigos que tenham sido lavados com água e detergente, enxaguados e centrifugados. Existe um risco de incêndio se secar peças que NÃO tenham sido lavadas com água.
- Não seque peças de vestuário que tenham sido tratadas com produtos químicos.
- Não seque peças de roupa que tenham sido manchadas ou impregnadas com óleo ou azeite, uma vez que isto representa um

perigo de incêndio. As peças de roupa contaminadas com óleo podem inflamar espontaneamente, sobretudo quando são expostas a fontes de calor, como uma máquina de secar roupa. As peças de roupa podem ficar quentes, provocando uma reacção de oxidação com o óleo. A oxidação gera calor. Se não for o possível evacuar o calor, as peças de roupa podem ficar quentes o suficiente para se incendiarem. Amontoar, empilhar ou guardar peças de roupa contaminadas com óleo pode impedir a evacuação do calor, causando o perigo de incêndio. Se for inevitável que os tecidos contaminados com óleo ou azeite, ou outros que tenham sido contaminados com produtos para o cabelo sejam colocados numa máquina de secar roupa, devem, em primeiro lugar, ser lavados com detergente extra – isto irá diminuir, mas não eliminar, o perigo. Estas não devem ser retiradas da máquina de secar e colocadas umas sobre as outras ou guardadas enquanto estão quentes.

- Não seque peças de roupa que foram anteriormente lavadas ou limpas com, ou impregnadas ou sujas com, gasolina, solventes para lavagem a seco ou outras substâncias inflamáveis ou combustíveis. Substâncias altamente inflamáveis habitualmente utilizadas em ambientes domésticos, incluindo óleo alimentar, acetona, álcool desnaturado, querosene, anti-nódos, terebintina, ceras e decapantes de cera. Certifique-se de que estas peças de roupa foram lavadas em água quente com uma quantidade extra de detergente antes de serem secas na máquina de secar.
- Não seque peças de roupa contendo espuma de borracha (também conhecida como espuma de látex) ou materiais de textura semelhante a borracha. Os materiais de espuma de borracha podem, quando aquecidos, incendiar por combustão espontânea.
- Amaciadores para a roupa ou produtos semelhantes não devem ser utilizados na máquina de secar para eliminar os efeitos de electricidade estática excepto se este método for especificamente recomendado pelo fabricante do produto amaciador para a roupa.
- Não seque peças de roupa interior que contenham reforços de metal, por exemplo, sutiãs com aros de metal. No caso de os reforços de metal se soltarem durante a secagem, podem

ocorrer danos na máquina de secar.

- Não seque na máquina artigos de borracha ou plástico como toucas de banho ou coberturas impermeáveis para bebés, polieteno ou papel.
- Não seque na máquina artigos com componentes de borracha, peças de roupa com almofadas de espuma de borracha, almofadas, galochas e calçado de desporto com revestimento de borracha.
- Retirar todos os objectos dos bolsos, como isqueiros e fósforos.

**! ATENÇÃO: não pare nunca a máquina de secar roupa antes do fim do ciclo de secagem, a não ser que todas as peças sejam removidas rapidamente e estendidas para dissipar o calor.**

### Economia energética e respeito pelo meio ambiente

- Antes de secar as peças de roupa, torça-as para eliminar a maior quantidade de água possível (se antes utilizar uma máquina de lavar, defina um ciclo de centrifugação). Deste modo, pode economizar energia durante a secagem.
- Se utilizar sempre a máquina com carga plena, pode economizar energia: peças únicas e cargas pequenas demoram mais tempo a secar.
- Limpe o filtro no fim de cada ciclo para controlar os custos relacionados com o consumo energético (consulte Manutenção).

# Cuidados e manutenção

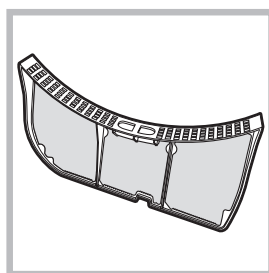
PT

## Interrupção da alimentação eléctrica

! Desligue a máquina de secar roupa quando não estiver a funcionar, bem como durante as operações de limpeza e de manutenção.

## Limpeza do filtro no fim de cada ciclo

O filtro é um componente fundamental para a secagem: a sua função consiste em recolher os resíduos de lã e o algodão que se formam durante a secagem.

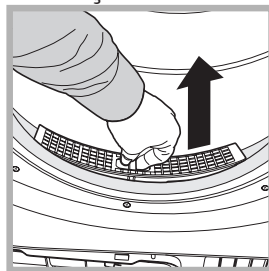


No fim da secagem, limpe o filtro enxaguando-o com água corrente ou limpando-o com o aspirador. Se o filtro se obstruir, o fluxo de ar no interior da máquina de secar roupa pode ficar seriamente comprometido: os

tempos de secagem prolongam-se e o consumo de energia aumenta. Além disso, podem verificar-se danos na máquina de secar roupa.

O filtro encontra-se em frente ao vedante da máquina de secar (*consulte a figura*).

Remoção do filtro:



1. Puxe para cima a pega de plástico do filtro (*consulte a figura*).
2. Remova os resíduos de lã do filtro e volte a colocá-lo correctamente. Certifique-se de que o filtro fica bem encaixado, rente ao vedante da máquina.

! Não utilize a máquina de secar roupa sem antes ter recolocado o filtro no respectivo lugar.

## Controlo do tambor no fim de cada ciclo

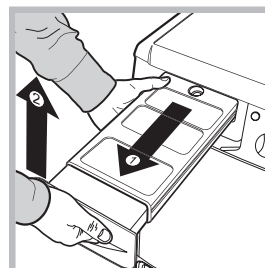
Rode manualmente o tambor para retirar as peças de roupa mais pequenas (lenços) que possam ter ficado no interior da máquina.

## Limpeza do tambor

! Para a limpeza do tambor, não utilize detergentes abrasivos, lã de aço ou agentes de limpeza para aço inoxidável.

Pode formar-se uma película colorida no tambor de aço inoxidável, fenómeno que pode ser causado por uma combinação de água e/ou de agentes de limpeza, como o amaciador de lavagem. Esta película colorida não afecta o desempenho da máquina de secar roupa.

## Esvaziamento do recipiente de recolha da água no fim de cada ciclo



Retire o recipiente da máquina e esvazie-o num lavatório ou noutro recipiente de descarga adequado e, em seguida, reposicione-o correctamente. Verifique sempre o recipiente de recolha e esvazie-o antes do início de um novo programa de secagem.

- O não esvaziamento do recipiente de recolha da água pode causar:

- A paragem do aquecimento da máquina (o que faria com que a roupa continuasse húmida no fim do ciclo de secagem).
- O indicador luminoso "Esvaziar recipiente" ilumina-se para avisar que o recipiente está cheio.

## Carregamento do sistema de recolha da água

Quando a máquina de secar roupa é nova, o recipiente de recolha da água não efectua a recolha enquanto o sistema não estiver carregado. Esta operação pode precisar de 1 ou 2 ciclos de secagem. Uma vez efectuado o carregamento, o sistema recolhe a água em todos os ciclos.

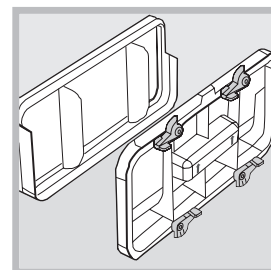
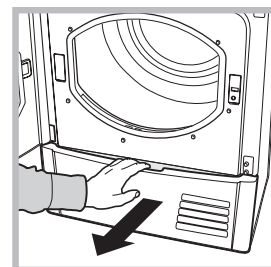
## Limpeza da unidade Filtro da Bomba de Calor

• Periodicamente, a cada 5 ciclos, extrair o Filtro da Bomba de Calor e limpá-lo, de modo a eliminar eventuais resíduos de penugem da superfície do filtro. Para tanto, lavá-lo com água corrente ou aspirar os resíduos com aspirador de pó. Recomendamos, todavia, a limpeza deste filtro após cada ciclo, para otimizar o desempenho de secagem.

Como remover a unidade Filtro da Bomba de Calor:

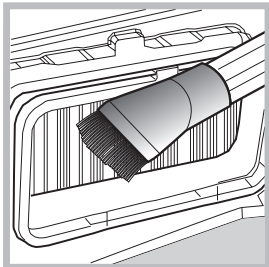
1. Desligar a ficha de alimentação e abrir a porta.
2. Extrair a tampa do Filtro da Bomba de Calor: girar as 4 molas até a posição vertical e extrair a unidade do filtro.
3. Separar as duas partes do filtro e remover a eventual penugem da superfície interna da rede do filtro.

**! ATENÇÃO: a parte dianteira da bomba de calor é realizada com finas chapas metálicas.**





Quando for limpá-lo, remova ou reposicione a unidade filtrante para a limpeza, preste atenção para não danificá-lo e para não se cortar.



4. Juntamente com a bomba de calor, é preciso limpar também com atenção o algodão que se forma nas placas metálicas passando um pano húmido, uma esponja ou o aspirador de pó. Não limpe com os dedos.

5. Reacoplar as duas partes do filtro, limpar a superfície do vedante e inserir o filtro no seu alojamento; girar as quatro molas na posição horizontal e certificar-se de que estejam bem firmes.

## Limpeza da máquina de secar roupa

- As partes externas de metal e de plástico e as partes de borracha podem ser limpas com um pano húmido.
- Periodicamente (cada 6 meses), limpe com o aspirador a grelha de admissão de ar dianteira e os respiradouros da parte posterior da máquina para remover eventuais depósitos de algodão, resíduos de lã e poeira. Além disso, remova os depósitos de algodão da parte da frente do condensador e das áreas do filtro, utilizando ocasionalmente o aspirador.

! Não utilize solventes nem abrasivos.

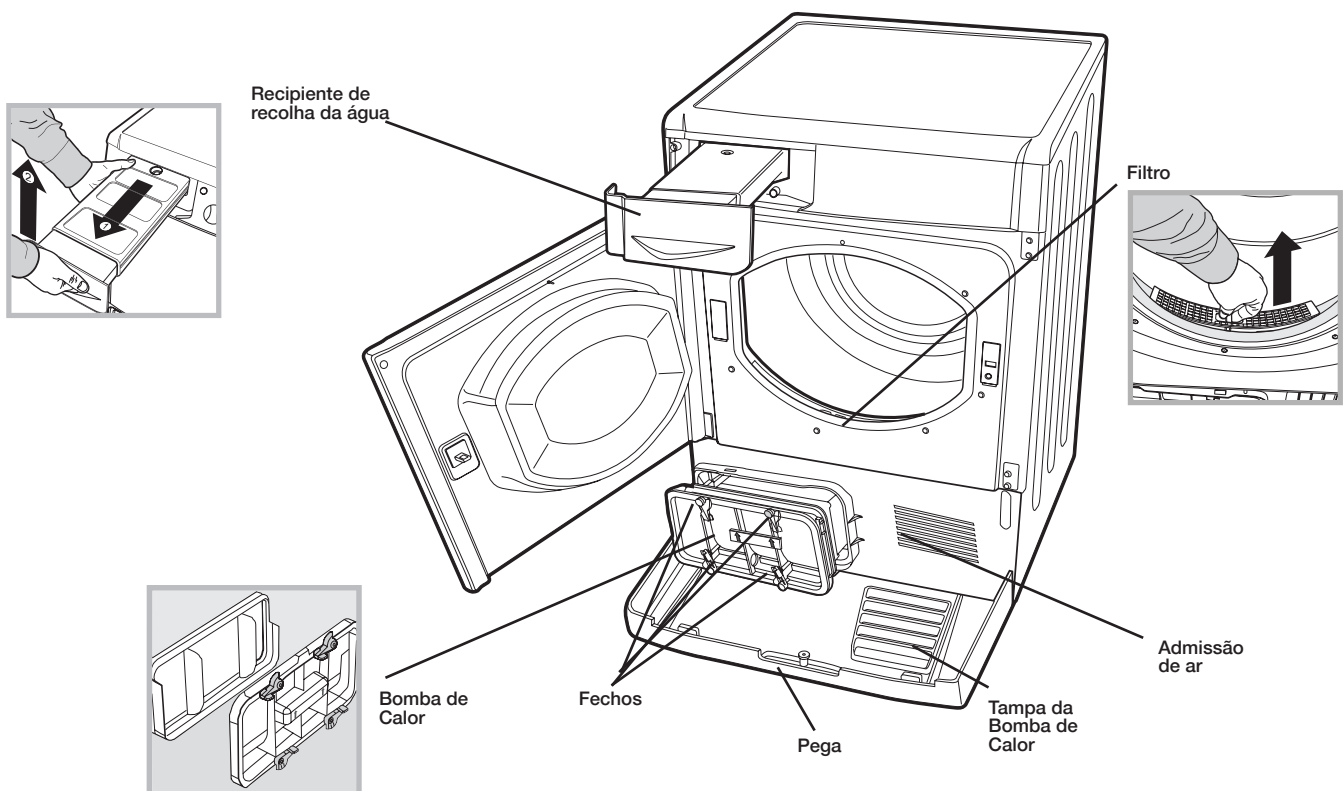
! Solicite um controlo regular da máquina de secar roupa por pessoal técnico autorizado para garantir a segurança dos componentes eléctricos e mecânicos (*consulte Assistência*).

## Conselhos rápidos

! Deve limpar o filtro, porta e a **bomba de calor** depois de cada secagem.

! Relembramos que deve esvaziar o recipiente de recolha da água após cada carga.

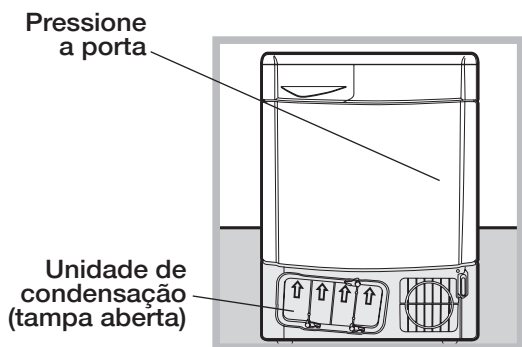
! Desta forma, obterá sempre o melhor desempenho!



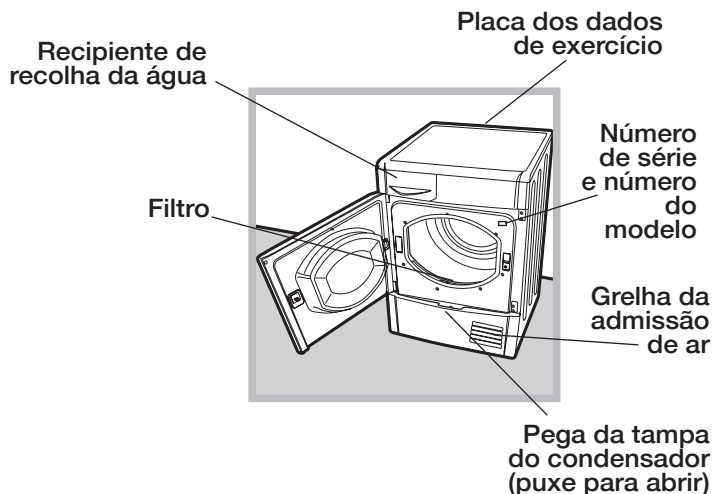
# Descrição da máquina de secar roupa

PT

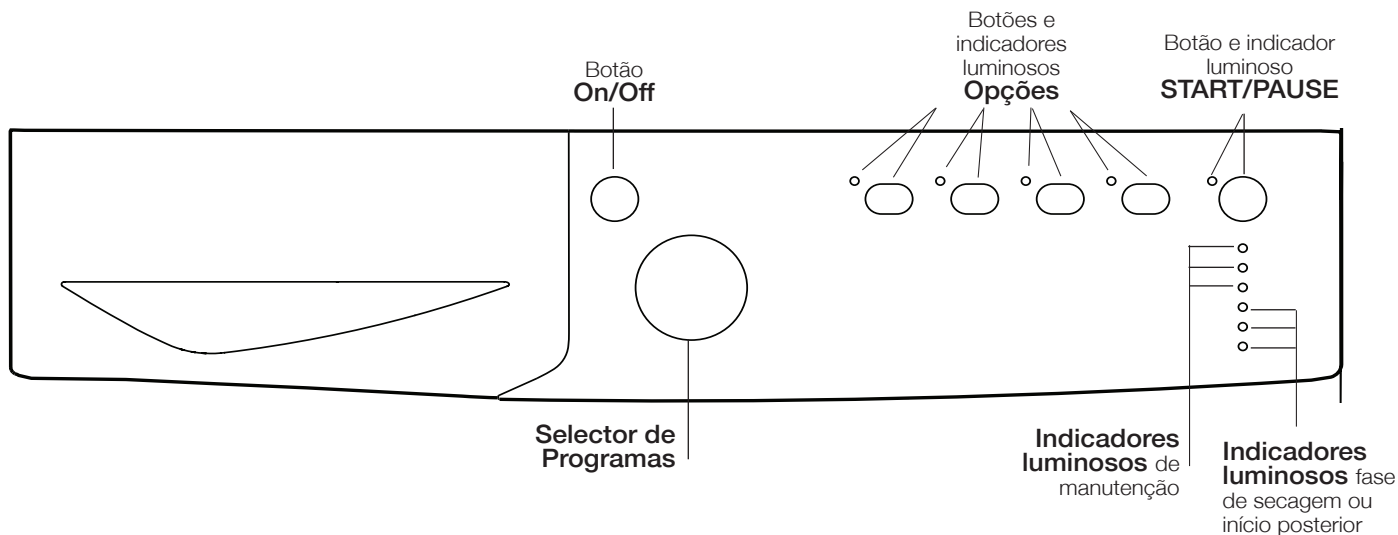
## Abertura da porta



## Características



## Painel de comandos





### Botão ON/OFF/Reset

Uma pressão normal do botão liga ou desliga o aparelho. Se a máquina de secar roupa estiver funcionando, uma pressão prolongada por aproximadamente 3 segundos fará desligar o aparelho e restabelecer o ciclo em curso.

### Selector de Programas

Consente configurar o programa: rode até que o indicador fique direccionado para o programa pretendido (*consulte Início e Escolha do programa*).

### Botões opções

Permitem escolher as opções disponíveis para o programa seleccionado. Os indicadores luminosos acendem-se para indicar que a opção foi seleccionada (*consulte Programas e opções*).

### Botão e indicador luminoso START/PAUSE

Quando o indicador luminoso verde piscar lentamente, prima o botão para iniciar o programa. Quando o ciclo tiver sido iniciado, o indicador luminoso de sinalização mantém-se sempre aceso. Para colocar o programa em pausa, prima novamente o botão; o indicador luminoso fica de cor laranja e começa novamente a piscar.

Para reiniciar o programa do ponto em que havia sido interrompido, prima novamente o botão (*veja Início e Escolha do programa*).

## Indicadores luminosos

### Indicadores luminosos de manutenção


Os indicadores luminosos fornecem informações importantes. Vejamos o que significam:

O indicador luminoso “esvaziar recipiente”  indica que é necessário esvaziar o recipiente de recolha da água.

Se o recipiente encher durante a realização do programa, o led irá acender-se. A máquina de secar roupa automaticamente irá iniciar o ciclo de ar frio e o led START/PAUSE ficará intermitente na cor âmbar. Para reiniciar o ciclo a partir do ponto em que foi interrompido, prima novamente o botão START/PAUSE.

Para evitar este procedimento, esvazie sempre o recipiente de recolha da água antes de cada utilização da máquina de secar roupa (*consulte Manutenção*).

O indicador luminoso Limpeza do filtro  antes de cada programa lembra que é fundamental limpar o filtro cada vez antes de utilizar a máquina de secar roupa (*consulte Manutenção*).

O indicador luminoso “unidade Filtro da Bomba de Calor”  lembra que é fundamental limpar o condensador em intervalos regulares (*consulte Manutenção*).

### Indicadores luminosos “Fases de secagem”

O Indicador luminoso  indica que está em acto a fase de secagem.

O Indicador luminoso  indica que está em acto a fase de arrefecimento.

O Indicador luminoso **END** indica o fim do programa.

### Indicadores luminosos “Início posterior”

Se tiver sido activada a função “Início posterior” (*veja “Programas e opções”*) depois de ter iniciado o programa, começará a lampear o indicador luminoso relativo ao atraso seleccionado.

 3h

 6h

 9h

Com o passar do tempo será mostrado a atraso restante, mediante o respectivo indicador luminoso aceso intermitente:

 3h

 6h

 9h

Depois de ter passado o tempo de atraso seleccionado, começará o programa estabelecido.

# Como efectuar uma secagem

PT

## Início e escolha do programa

1. Introduza a ficha da máquina de secar roupa na tomada de alimentação eléctrica.
2. Seleccione a roupa em função do tipo de roupa (*consulte Roupa*).
3. Abra a porta e certifique-se de que o filtro está limpo e em posição, e que o recipiente de recolha da água está vazio e posicionado correctamente (*consulte Manutenção*).
4. Carregue a máquina tendo o cuidado de não deixar nenhuma peça de roupa entre a porta e o respectivo vedante. Feche a porta.
5. Carregue no botão ON/OFF para ligar a máquina.
6. Rode o botão de selecção dos Programas até quando o indicador estiver no programa correspondente ao tipo de tecido que se pretende secar, verificando a tabela dos programas (*consulte Programas e opções*) e as indicações para cada tipo de tecido (*consulte Roupa Branca*).  
! Atenção: se, depois de ter premido o botão de START/PAUSE, alterar a posição do selector dos programas, a nova posição NÃO altera o programa seleccionado. Para alterar o programa, prima o botão START/PAUSE para colocar o programa em pausa (o indicador luminoso fica laranja intermitente), escolha o novo programa e as respectivas opções. Prima o botão de START/PAUSE para iniciar o novo programa.
7. Se necessário, defina o tempo de retardamento e as outras opções (*consulte Programas e opções*).
8. Para iniciar, prima o botão START/PAUSE.  
Durante o programa de secagem, é possível controlar a roupa e retirar as peças que já estão secas, deixando as outras no interior da máquina. Depois de ter voltado a fechar a porta, prima START/PAUSE para recolocar a máquina em funcionamento.
9. Durante os últimos minutos dos programas de secagem, antes do fim do programa, é iniciada a fase final de SECAGEM A FRIO (os tecidos são arrefecidos); é necessário deixar sempre terminar esta fase.
10. A ligação do indicador luminoso **END** indica que o programa terminou. Para que saiba que o programa foi concluído, o indicador sonoro irá soar 3 vezes. Abra a porta, retire a roupa, limpe o filtro e volte a colocá-lo no respectivo lugar. Esvazie o recipiente de recolha da água e volte a colocá-lo no respectivo lugar (*consulte Manutenção*).  
Se tiver sido seleccionada a opção “**Antiarrugas**” e a roupa não for retirada imediatamente, as peças de roupa rodam em intervalos regulares durante 10 horas ou até que seja aberta porta.
11. Desligue a máquina de secar roupa da rede eléctrica.

## Modalidade de Stand by

Esta máquina de secar roupa, em conformidade com as novas normas sobre a economia energética, dispõe de um sistema de desligação automática (stand by) que entra em função aproximadamente 30 minutos depois, no caso de inutilização. Prima continuamente o botão **ON/OFF** até que a secadora volte a acender..

## Tabela dos programas

	Programa	Carga máx. (kg)	Opções compatíveis	Duração do ciclo <sup>3</sup>
<b>Fast &amp; Easy</b>				
1	Expresso 45'	1	Antiarrugas - Início retardado.	45'
2	Mistos	3	Antiarrugas - Início retardado.	100'
3	Algodão Engomar fácil	Max.	Cuidado Extra - Antiarrugas - Início retardado.	170'
4	Sintéticos Engomar fácil	4	Antiarrugas - Início retardado.	65'
<b>Essentials</b>				
5	Algodão Normal <sup>2</sup>	Max.	Cuidado Extra - Energy Saver <sup>1</sup> - Antiarrugas - Início retardado.	195'
6	Algodão Cabide	Max.	Antiarrugas - Início retardado.	205'
7	Sintéticos	4	Energy Saver <sup>1</sup> - Antiarrugas - Início retardado.	95'
8	Jeans	3	Antiarrugas - Início retardado.	135'
<b>Special Care</b>				
9	Bebés&Delicados	2	Antiarrugas - Início retardado.	80'
10	Lã	1	-	60'
11	Edredons	1,5	Antiarrugas - Início retardado.	100'
12	Sport Shoes	1 paio	-	100'
<b>Timed &amp; Post Dry</b>				
13	60 minutos	-	Cuidado Extra - Antiarrugas - Início retardado.	-
14	120 minutos	-	Cuidado Extra - Antiarrugas - Início retardado.	-
15	Passe Fácil	-	-	10'
16	Arejar tecidos	2,5	-	20'

**NOTA: 1** com esta opção, a carga máxima é modificada. Verifique a descrição das opções. **2** Algodão Normal é o programa mais eficiente em termos de consumo de energia (UE 392/2012). **3** A duração dos programas depende da quantidade de peças, do tipo de tecido, da velocidade de centrifugação selecionada e de qualquer outra função adicional selecionada.

## Programas especiais/Sport/Parciais

### Expresso 45'

Um programa rápido, ideal para secar peças centrifugadas à alta velocidade na lavadora, por exemplo, camisas usadas em uma semana de trabalho.

### Mistos

Este é o programa ideal para secar tecidos de algodão e sintéticos juntos.

**Algodão Normal:** No fim da secagem, as peças podem ser usadas imediatamente após a sua remoção da máquina de secar.

**Algodão Cabide:** nível de secagem que permite obter o nível máximo de secagem, ainda mais seco do que o Algodão Normal.

### Programa Jeans

Este programa destina-se aos jeans de algodão denim. Antes de secar os jeans, volte os bolsos da frente do avesso. Pode ser utilizado para cargas de até **3 kg** (cerca de 4 pares).


As cargas secas com este programa ficam normalmente prontas a serem usadas. Os rebordos e as costuras podem ficar ligeiramente húmidos. Neste caso, tente colocar os jeans do avesso e reactivar o programa por um breve período.

! Utilize este ciclo exclusivamente para as cargas de algodão 100%; não misture peças de cores escuras e claras; não use este programa para peças com bordados e acessórios (elásticos na cintura, broches, etc.); vire do avesso os bolsos.

### Bebés&Delicados

Um programa especialmente estudado para secar roupas de bebés (algodão e aveludado) e peças delicadas. Não seque as peças com forro de plástico.

### Programa Lã

Este programa destina-se às peças de roupa que suportam a secagem em tambor, identificadas com o símbolo . Pode ser utilizado para cargas de até **1 kg** (cerca de 3 blusões). É aconselhável colocar as peças do avesso antes da secagem. Este programa demora cerca de **1:00** (hrs:mins), mas pode durar mais tempo, dependendo das dimensões e da densidade da carga e da velocidade de centrifugação usada na máquina de lavar roupa. As cargas secas com este programa ficam normalmente prontas a serem usadas, mas algumas peças mais pesadas os rebordos podem ficar ligeiramente húmidos. Deixe-as secar naturalmente para evitar que outro processo de secagem as possa danificar.

! Ao contrário de outros materiais, o mecanismo de encolhimento da lã é irreversível, ou seja, a peça de roupa não recupera as suas dimensões e a sua forma original.

! Este programa não é indicado para peças de roupa acrílica.

### Edredons

Um ciclo estudado para secar casacos de inverno (ou de neve) e edredons, restituindo-lhes a natural maciez (2 casacos).

### Programa Sport Shoes

Este é um programa para secar um par de sapatos desportivos. Os sapatos deve ser lavados e centrifugados a uma velocidade de centrifugação mínima de **400 rotações**.

Devem ser usadas com o específico separador para sapatos fornecido. Se secar os sapatos no tambor, a máquina de secar roupas será danificada. Remova o filtro da sua posição na parte anterior da máquina e posicione o separador.

Coloque dentro os laços dos sapatos e os sapatos com as pontas para baixo e as solas na frente.

Os tempos de secagem variam conforme o formato e o tipo de sapato. Se os sapatos não estiverem completamente secos no fim do programa, faça um novo ciclo.

! Não seque sapatos que contenham gel ou luzes intermitentes. Seque somente sapatos feitos de material sintético ou pano. No fim do programa, remova o separador para calçados e posicione novamente o filtro.

### Passé Fácil

É um breve programa de 10 minutos que estica as fibras das peças facilitando a sua passagem e a dobragem.

O programa é particularmente indicado para os tecidos de Algodão ou Mistura de algodão.

Para melhores resultados não carregue o tambor além da sua capacidade máxima (os seguintes valores reverem-se ao peso das roupas secas):

Tecido: carga máxima - Algodão e Mistura de algodão: **2,5 kg** - Sintéticos: **2 kg** - Jeans: **2 kg**

Esvazie a máquina de secar roupa imediatamente após o fim do programa. Pendure, dobre ou passe as peças de roupa e, em seguida, coloque-as no armário. Se tal não for possível, repita o programa.

! Este não é um programa de secagem, pelo que não deve ser utilizado com peças ainda molhadas.

O efeito produzido pelo programa varia de tecido para tecido: as características dos tecidos como fibras acrílicas ou Tencel® não consentem obter os mesmos resultados das fibras tradicionais (por ex. algodão).

### Arejar tecidos

Programa breve adaptado para arejar as fibras e as roupas através da emissão de ar frio. Dura aproximadamente **20 minutos**.

! Este não é um programa de secagem, pelo que não deve ser utilizado com peças ainda molhadas.

Pode ser utilizado com cargas de qualquer dimensão mas é mais eficaz com cargas mais pequenas.

Tecidos	Carga				
	1 kg	2 kg	3 kg	- kg	- kg
Algodão – Alta Temperatura	60 minutos	60 or 120 minutos	120 minutos	-	-
Sintéticos – Baixa Temperatura	60 minutos	60 minutos	60 or 120 minutos	-	-
Acrílicos – Baixa Temperatura	60 minutos	120 minutos	-	-	-

## Opções

As opções consentem personalizar o programa seleccionado conforme as próprias exigências.

### Cuidado Extra

Uma opção pensada para secar com extremo cuidado as peças mais delicadas. Pressionando este botão, o led correspondente acende-se e a secagem é feita com temperaturas mais baixas. Ativando esta função, a duração do ciclo aumenta. Esta opção é compatível com todos os ciclos a tempo.

### Energy Saver

Uma opção estudada para otimizar os resultados de secagem em cargas de pequenas dimensões (algodão máx 2 kg e sintéticos máx 1 kg) reduzindo os consumos e os tempos de secagem.

### Antiarrugas

Esta opção ativa automaticamente um ciclo de tratamento Antivincos pré e pós-secagem. O ciclo Antivincos, mediante a rotação alternada do tambor, previne a formação de vincos, rodando as peças várias vezes. A opção prevê uma fase pré-antivincos, ativável somente quando tiver sido seleccionado o arranque retardado e uma fase pós-antivincos no fim do ciclo de secagem.

O ciclo antivincos, portanto, é uma ótima solução para evitar a formação de vincos quando se ativa o arranque retardado e quando não se tem a possibilidade de remover as peças imediatamente após a secagem.

### Início posterior

O início de alguns programas (*consulte Programas e opções*) pode ser retardado até **9** horas. Pressione várias vezes o botão até alcançar o tempo de atraso desejado. Antes de definir um início retardado, certifique-se de que o recipiente de recolha da água está vazio e que o filtro está limpo.

! Nem todas as opções estão disponíveis para todos os programas (*consulte Programas e opções*).

## Abertura da porta

Se abrir a porta (ou premir o botão START/PAUSE) durante o funcionamento de um programa, a máquina de secar roupa pára com as seguintes consequências.

- O indicador luminoso START/PAUSE pisca de cor laranja.
- Durante o Início retardado, o retardamento continua a ser contado. É necessário premir o botão de START/PAUSE para retomar o programa de início retardado. Um dos indicadores luminosos do "Início posterior" fica intermitente para indicar a actual definição de retardamento.
- É necessário premir o botão de START/PAUSE para retomar o programa. Os indicadores luminosos de avanço mostram o estado actual e o indicador luminoso START/PAUSE pára de piscar e fica verde.
- Durante a fase de anti-dobras pós-secagem, o programa termina. Se premir o botão START/PAUSE, é reiniciado um novo programa desde o início.
- Girando o selector de Programas, selecciona-se um novo programa e o indicador luminoso START/PAUSE fica verde intermitente. É possível utilizar este procedimento para seleccionar o programa Secagem a frio para arrefecer as peças de roupa se se considerar que estão suficientemente secas.

Prima o botão de START/PAUSE para iniciar o novo programa.

### Protecção do sistema Bomba de Calor

O sistema com bomba de calor funciona através de um compressor dotado de protecção que intervém após a abertura da porta, ou se houver uma repentina interrupção da corrente eléctrica. Esta protecção impedirá a reinício do compressor por 5 minutos após o fecho da porta e após o reinício do ciclo.

**Nota:** Em caso de corte de energia, desligue a corrente ou retire a tomada. Quando a energia for restabelecida, ligue a máquina, prima continuamente o botão **ON/OFF** até que a secadora volte a ligar e prima o botão Iniciar/Pausa.

# Roupa

PT

## Triagem da roupa

- Verifique os símbolos que constam das etiquetas das diversas peças para se certificar de que podem ser submetidas a secagem em tambor.
- Efectue a triagem da roupa consoante o tipo de tecido.
- Esvazie os bolsos e verifique os botões.
- Feche os fechos de correr e outros fechos e ate os cintos e os laços sem apertar demasiado.
- Torça as peças de roupa para eliminar a maior quantidade de água possível.

! Não carregue a máquina de secar roupa com peças de roupa completamente cheias de água.

## Dimensões máximas de carga

Não exceda a capacidade máxima do tambor.

Os valores seguintes referem-se ao peso das peças secas:

Fibras naturais: máximo 7 kg

Fibras sintéticas: máximo 4 kg

! Para evitar uma diminuição no desempenho da máquina de secar roupa, não a sobrecarregue.

## Etiquetas de manutenção

Verifique as etiquetas das peças de roupa, especialmente quando é a primeira vez que as coloca na máquina de secar roupa. São indicados a seguir os símbolos mais comuns:

- Pode colocar-se na máquina de secar.
- Não colocar na máquina de secar
- Secar a alta temperatura.
- Secar a baixa temperatura.

## Tempos de secagem

Os tempos são aproximativos e podem variar consoante:

- A quantidade de água retida nas peças após a centrifugação: as toalhas e as peças delicadas retêm muita água.
- Tecidos: as peças de roupa do mesmo tecido, mas com trama e espessura diferentes, podem apresentar tempos de secagem distintos.
- A quantidade de roupa: peças únicas e cargas pequenas podem demorar mais tempo a secar.
- A secagem: se tiver de passar a ferro as peças de roupa, pode retirá-las da máquina quando ainda estão um pouco húmidas. Por seu turno, as peças de roupa que são para secar completamente podem ficar na máquina durante mais tempo.
- A temperatura definida.
- A temperatura da divisão: quanto mais baixa for a temperatura da divisão em que se encontra a máquina de secar roupa, mais tempo será necessário para secar as peças de roupa.
- O volume: algumas peças volumosas requerem uma atenção especial durante o processo de secagem. É aconselhável retirar essas peças, sacudi-las e colocá-las novamente na máquina: esta operação deve ser repetida várias vezes durante o ciclo de secagem.

! Não seque demasiado as peças de roupa. Todos os tecidos contêm humidade natural que permite conservar a suavidade e a leveza.

Os tempos fornecidos referem-se aos programas automáticos de Secagem armário.

Os pesos referem-se às peças secas.

## Tempos de secagem automática

Algodão						
Alta temperatura						
Tempos de secagem após lavagens de 800-1000 rotações por minuto						
1 kg	2 kg	3 kg	4 kg	5 kg	6 kg	7 kg
60 - 90 minutos	80 - 100 minutos	100 - 130 minutos	120-140 minutos	140 - 180 minutos	150 - 190 minutos	170 - 200 minutos
Sintéticos						
Baixa temperatura						
Tempos de secagem após lavagens com velocidades inferiores						
1 kg	2 kg	3 kg	4 kg			
40 - 50 minutos	50 - 60 minutos	60 - 90 minutos	90 - 110 minutos			
Acrílicos						
Baixa temperatura						
Tempos de secagem após lavagens com velocidades inferiores						
1 kg	2 kg					
40 - 80 minutos	80 - 140 minutos					



Se lhe parecer que a máquina de secar roupa não está a funcionar correctamente, antes de contactar o Centro de Assistência (*consulte Assistência*), consulte atentamente as seguintes sugestões para a resolução dos problemas.

## Problema:

## Possíveis causas/ Soluções:

**A máquina de secar roupa não arranca.**

- A ficha não ficou bem encaixada na tomada eléctrica para que possa fazer contacto.
- Ocorreu um corte de corrente.
- O fusível está queimado. Tente ligar outro electrodoméstico na mesma tomada.
- Se utilizar uma extensão, tente inserir a ficha da máquina de secar roupa directamente na tomada.
- A porta não foi fechada correctamente.
- O programa não foi definido correctamente (*consulte Como efectuar uma secagem*).
- Não foi pressionado o botão START/PAUSE (*consulte Como efectuar uma secagem*).
- Nas máquinas dotadas da função de bloqueio das teclas, verifique se a opção não está ativada (*consulte Programas e opções*).

**O ciclo de secagem não se inicia.**

- Foi definido um tempo de retardamento (*consulte Programas e opções*).
- Foi premido o botão de START/PAUSE; Antes de iniciar a máquina de secar roupa, é necessário aguardar um breve período de atraso. Aguarde o início da secagem, não volte a premir o botão de START/PAUSE: caso contrário, a máquina passa para o modo de pausa e não inicia a secagem.

**Os tempos de secagem são longos.**

- O filtro não foi limpo (*consulte Manutenção*).
- O recipiente de recolha da água deve ser esvaziado? O indicador luminoso “Esvaziar recipiente” fica intermitente (*consulte Manutenção*).
- O condensador ou Filtro da Bomba de Calor deve ser limpo (*consulte Manutenção*).
- A temperatura definida não é adequada ao tipo de tecido que se pretende secar (*consulte Programas e opções*).
- Não foi seleccionado o tempo de secagem correcto para esta carga (*consulte Roupa*).
- A grelha de admissão de ar ou os respiradouros da parte posterior estão obstruídos (*consulte Instalação e Manutenção*).
- As peças de roupa estão demasiado molhadas (*consulte Roupa*).
- A máquina de secar roupa está sobrecarregada (*consulte Roupa*).

**O indicador luminoso “Esvaziar recipiente” fica intermitente.**

- É provável que o recipiente de recolha da água não tenha sido esvaziado no início do programa. Não espere pelo sinal de esvaziamento da água (Indicador sonoro irá soar 3 vezes o indicador luminoso “Esvaziar recipiente” está a piscar). Verifique sempre o recipiente e esvazie-o antes do início de um novo programa de secagem (*consulte Descrição da máquina de secar roupa*).

**O programa termina e as peças de roupa estão mais húmidas que o previsto.**

- ! Por razões de segurança, os programas da máquina de secar roupa têm uma duração máxima de 5 horas. Se um programa automático não tiver detectado a humidade final necessária dentro deste intervalo, a máquina de secar conclui o programa e pára. Verifique os pontos supramencionados e repita o programa. Se as peças de roupa continuarem húmidas, contacte o Centro de Assistência (*consulte Assistência*).

**Os indicadores luminosos das “opções” e o indicador luminoso de “START/PAUSE” piscam e um dos indicadores da “manutenção” ou das “fases de secagem” ficam acesos fixos.**

- Desligue o aparelho e remova a ficha, limpe o filtro e o condensador (*consulte “Cuidados e Manutenção”*). Em seguida, encaixe novamente a ficha, ligue o electrodoméstico e inicie outro programa. Se a anomalia persistir, contacte a Assistência Técnica.

**A máquina de enxugar é ruidosa nos primeiros minutos de funcionamento.**

- Isto é normal, sobretudo se a máquina de enxugar ficou inutilizada por algum tempo. Se o ruído persistir durante todo o ciclo, contacte o centro de assistência técnica.

**As luzes do painel de controlo da máquina de secar estão desligadas, apesar de a máquina estar ligada.**

A máquina de secar entrou no modo de stand-by para poupar energia. Isto ocorre quando a máquina é deixada acesa ou quando ocorre uma falha de energia. Ocorre após 30 minutos:

- se deixar a máquina de secar acesa sem iniciar um programa;
- depois de terminar o programa de secagem.

Prima continuamente o botão ON/OFF até que a secadora volte a acender.

# Assistência

PT

## Sistema com bomba de calor

Esta máquina de secar roupas é equipada com um sistema com bomba de calor para secar a sua indumentária. Para permitir o seu funcionamento, a bomba de calor utiliza gases com efeito de estufa (gases fluorados) que são contemplados pelo protocolo de Kyoto. Os gases F são contidos numa unidade hermeticamente lacrada. Esta unidade lacrada contém 0,29 kg de gás R134aF que é um agente arrefecedor.

Se a unidade estiver danificada, deve ser substituída com uma outra nova. Para maiores informações, contactar o centro de assistência mais próximo.

**Nota:** Os gases contidos numa unidade lacrada não são perigosos para a saúde, mas se vazarem terão impacto sobre o aquecimento global.

## Antes de contactar o Centro de Assistência:

- Siga o guia de resolução de problemas para tentar resolver a avaria pessoalmente (*consulte Problemas e soluções*).
- Caso contrário, desligue a máquina e contacte o Centro de Assistência mais próximo de si.

## Informações sobre a reciclagem e a eliminação

No âmbito do nosso constante empenhamento em defesa do meio ambiente, reservamo-nos o direito de utilizar componentes reciclados de qualidade para reduzir os custos do cliente e minimizar o desperdício de materiais.

- Eliminação dos materiais de embalagem: siga as normas locais para que a embalagem possa ser reciclada.
- Para reduzir o risco de acidentes com crianças, retire a porta e a ficha, e corte o cabo de alimentação rente ao aparelho. Elimine estes componentes separadamente para ter a certeza de que o electrodoméstico não volta a ser ligado a uma tomada de corrente eléctrica.

## Eliminação



A directiva Europeia 2012/19/CE relativa aos resíduos de equipamentos eléctricos e electrónicos (REEE) prevê que os electrodomésticos não devem ser eliminados no normal fluxo dos resíduos sólidos urbanos. Os aparelhos que deixaram de ser utilizados devem ser recolhidos separadamente para otimizar a taxa de recuperação e reciclagem dos materiais que os compõem e impedir potenciais danos à saúde e ao meio ambiente.

Este aparelho utiliza uma bomba de calor lacrada, que contém gases fluorados que devem ser recuperados e eliminados.

O símbolo do contentor de lixo barrado com uma cruz está presente em todos os produtos para lembrar o dever de recolha selectiva. Para mais informações sobre o correcto desmantelamento dos electrodomésticos, contacte o serviço público especializado ou os revendedores.

## Dados para comunicar ao Centro de Assistência:

- Nome, endereço e código postal;
  - número de telefone;
  - tipo de avaria;
  - data de aquisição;
  - modelo do aparelho (Mod.);
  - número de série (S/N) da máquina de secar roupa.
- Estas informações encontram-se na etiqueta de dados situada na parte posterior do óculo.

## Peças de reposição

Esta máquina de secar roupa é uma máquina complexa. Tentar repará-la pessoalmente ou por pessoal não qualificado pode colocar em risco a integridade física das pessoas, danificar a máquina e anular a garantia que cobre as peças de reposição.

Em caso de problemas com o uso desta máquina, contacte sempre um técnico autorizado.



Este electrodoméstico está em conformidade com as seguintes directivas CE:

- 2006/95/CE (Directivas de baixa tensão);
- 2004/108/CE (Compatibilidade electromagnética).

## WÄSCHETROCKNER

DE

Deutsch

## EDPA 745 A ECO

[www.indesit.com](http://www.indesit.com)

 Dieses Symbol erinnert Sie daran, das vorliegende Handbuch zu lesen.

! Bewahren Sie diese Gebrauchsanweisung immer in Nähe des Wäschetrockners auf, um sie bei jedem Bedarf leicht konsultieren zu können. Falls das Gerät verkauft oder an andere Personen übergeben wird, händigen Sie auch dieses Heft aus, um es so den neuen Besitzern zu ermöglichen, von den Hinweisen zum Gebrauch des Wäschetrockners Kenntnis zu nehmen.

! Lesen Sie bitte diese Hinweise aufmerksam durch: sie enthalten wichtige Hinweise zu Aufstellung und Anschluss und nützliche Empfehlungen zum Gerätebetrieb.

## Inhaltsverzeichnis

### Aufstellung, 66

Aufstellungsort des Wäschetrockners  
Belüftung  
Elektroanschluss  
Allgemeine Informationen

### Hinweise, 68

Allgemeine Sicherheit  
Energiesparender Betrieb und Umweltschutz

### Wartung und Pflege, 70

Abschalten vom Stromnetz  
Reinigung des Flusensiebs nach jedem Trockenzyklus  
Prüfung der Trommel nach jedem Trockenzyklus  
Entleeren des Wasserauffangbehälters nach jedem Trockenzyklus  
Reinigung Wärmepumpenfiltereinheit  
Reinigung des Wäschetrockners

### Beschreibung des Wäschetrockners, 72

Merkmale  
Bedienblende

### Durchführung eines Trockenprogramms, 74

Wahl und Start des Programms

### Programme und Zusatzfunktionen, 75

Programmtabelle  
Spezial-/Sport-/Teilprogramme  
Optionen  
Öffnung der Gerätetür

### Wäsche, 78

Unterteilung der Wäsche  
Etiketten mit Pflegehinweisen  
Trockenzeiten

### Fehlersuche, 79

### Kundendienst, 80

Ersatzteile  
Informationen zu Recycling und Entsorgung

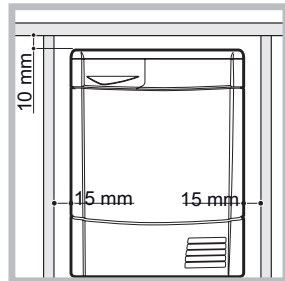
DE

# Aufstellung

DE

## Aufstellungsort des Wäschetrockners

• Übermäßige Hitze kann den Wäschetrockner schädigen; deshalb im Abstand von Gasherden, Öfen, Heizkörpern oder Kochfeldern platzieren. Der Trockner soll bei einer Zimmertemperatur von 20 bis 23 °C angeschlossen werden für eine optimale Wirkung. Er funktioniert jedoch auch bei einer Zimmertemperatur von 14 bis 30 °C. Falls das Haushaltsgerät unter einem Arbeitstisch eingebaut werden soll, muss ein Freiraum von 10 mm zwischen der oberen Geräteplatte und anderen, darüber befindlichen Gegenständen vorgesehen werden, sowie 15 mm Freiraum zwischen den Seitenwänden des Geräts und den Wänden bzw. den angrenzenden Einrichtungsgegenständen. Nur auf diese Weise wird eine ausreichende Luftzirkulation gewährleistet. Das Gerät muss mit der Rückseite gegen eine Mauer installiert werden.



## Belüftung

• Während des Betriebs des Wäschetrockners muss eine ausreichende Belüftung vorhanden sein. Vergewissern Sie sich, dass der Trockner in einem trockenen, Raum aufgestellt wird, der über eine ausreichende Luftzirkulation verfügt. Nur eine ausreichende Luftzirkulation gewährleistet die einwandfreie Funktion des Trockners. Keinesfalls darf das Gerät in kleinen verschlossenen Räumen aufgestellt oder in Möbelteile integriert werden.

! Falls der Trockner in einem kleinen oder kalten Raum benutzt wird könnte Wasser auf dem Gerät kondensieren.

! Wir raten davon ab, den Trockner in einem Schrank aufzustellen; auf keinen Fall darf das Haushaltsgerät hinter einer abschließbaren Tür, einer Schiebetür oder einer Tür mit umgekehrtem Türanschlag platziert werden.

## Wasserablauf

Falls das Gerät in der Nähe eines Ablaufschlauches aufgestellt wird, können Sie das Kondenswasser direkt abführen, ohne den Wasserauffangbehälter zu verwenden. In diesem Fall muss der Wasserauffangbehälter nicht nach jedem Trockenzyklus entleert werden.

Falls der Trockner über oder neben einer Waschmaschine positioniert wird, kann dieser Wasserablauf mitbenutzt werden. Es reicht aus, den in Abbildung A gezeigten Schlauch abzutrennen und an den Ablauf anzuschließen. Falls der Ablauf weiter entfernt ist als der Schlauch lang ist, können Sie zur Überbrückung einen Schlauch mit gleichem

Durchmesser und der erforderlichen Länge kaufen und anschließen.

Dazu den neuen Schlauch wie in Abbildung B angegeben an der Stelle des vorherigen montieren.

! Der Ablauf darf maximal einen Meter oberhalb des trocknerbodens montiert werden.

! Nachdem der Wäschetrockner aufgestellt wurde, sicherstellen, dass der Ablaufschlauch nicht geknickt oder gekrümmt ist.

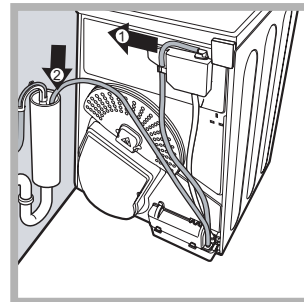


Abb. A

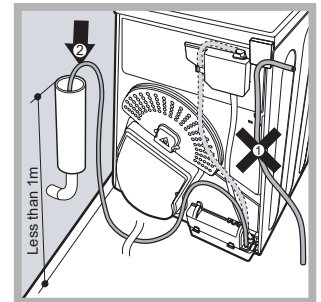


Abb. B

## Elektroanschluss

Bevor Sie den Stecker in die Steckdose stecken, folgende Prüfungen ausführen:

- Vergewissern Sie sich, dass Ihre Hände trocken sind.
- Die Steckdose muss geerdet sein.
- Die Steckdose muss der maximalen Leistungsaufnahme des Geräts entsprechen, die auf dem Typenschild mit den Betriebsdaten angegeben ist (siehe Beschreibung des Wäschetrockners).
- Die Netzspannung muss den Werten entsprechen, die auf dem Typenschild mit den Betriebsdaten angegeben sind (siehe Beschreibung des Wäschetrockners).
- Die Steckdose muss mit dem Stecker des Wäschetrockners kompatibel sein. Sollte dies nicht der Fall sein, dann lassen Sie den Netzstecker oder die Steckdose austauschen.

! VERWENDEN SIE KEINE VERLÄNGERUNGEN.

! Der Trockner kann nicht in Außenräumen aufgestellt werden, auch wenn diese geschützt sind. Es können große Gefahrensituationen entstehen, wenn dieses Haushaltsgerät Regen oder Gewittern ausgesetzt wird.

! Nach der Aufstellung des Trockners müssen das Stromkabel und der Stecker zugänglich bleiben.

! Achten Sie darauf, dass das Stromkabel nicht geknickt oder gequetscht ist.

! Änderungen am Kabel oder am Stecker dürfen nur durch autorisiertes Fachpersonal vorgenommen werden.

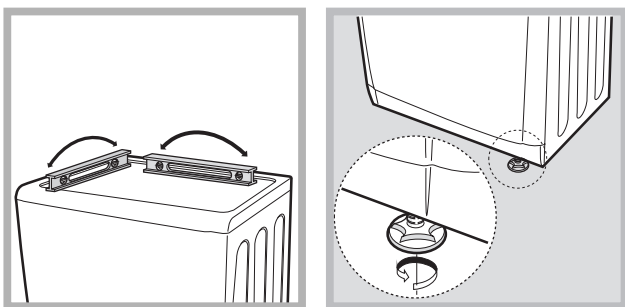
! Das Stromkabel ist regelmäßig zu überprüfen. Sollte das Stromkabel beschädigt sein, muss es vom Hersteller, dessen Kundendienst oder von anderem, qualifizierten Fachpersonal ersetzt werden, um Gefahren zu vermeiden. (siehe Kundendienst). Neue oder längere Stromkabel werden von autorisierten Ersatzteihändlern kostenpflichtig zur Verfügung gestellt.

! Der Hersteller übernimmt keine Haftung, falls diese Vorschriften nicht eingehalten werden.

! Bei Fragen zur Aufstellung oder dem Anschluss ziehen Sie gegebenenfalls einen Elektrofachmann zu Rate.

### Ausrichtung des Wäschetrockners

Für einen einwandfreien Betrieb muss das Gerät perfekt eben aufgestellt werden. Prüfen Sie die Ausrichtung des Geräts nach der Installation an seinem Bestimmungsort erst auf beiden Seiten und dann vorne und hinten. Steht die Maschine nicht eben, dann stellen Sie die vorderen Stellfüße so ein, dass die Maschine eben steht.



### Allgemeine Informationen

Reinigen Sie nach dem Aufstellen und vor der Inbetriebnahme des Trockners den Innenraum der Trommel, um eventuelle Verschmutzungen zu entfernen, die sich während des Transports angesammelt haben könnten.

**ACHTUNG: Vergewissern Sie sich, dass Ihr Trockner mindestens sechs Stunden lang in vertikaler Position gestanden hat, bevor Sie ihn benutzen.**


### Maximale Füllmengen: 7 kg

Produktinformationen - Vorschrift 932/2012.	
Marke	Indesit
Modell	EDPA 745 A ECO (EU)
Nennkapazität Baumwollwäsche für das "Standard-Baumwollprogramm" bei vollständiger Befüllung - kg	7.0
Dieser Haushaltswäschetrockner ist	Ein Kondens.
Energieeffizienzklasse (A+++ niedriger Verbrauch) bis D (hoher Verbrauch)	A
Der gewichtete jährliche Energieverbrauch (AEC)* kWh 1)	354.0
Dieser Haushaltswäschetrockner ist	Automatisch
Energieverbrauch bei vollständiger Befüllung; Edry- kWh 2)	2.96
Standard-Baumwollprogramm: Energieverbrauch bei Teilbefüllung; Edry- kWh 2)	1.63
Leistungsaufnahme im Aus-Zustand (Po) - Watts	0.14
Leistungsaufnahme im unausgeschalteten Zustand (Pi) - Watts	1.79
Dauer des unausgeschalteten Zustandes für die Leistungssteuerung - Minuten	30
Gewichtete Programmdauer (Tt) bei vollständiger Befüllung und Teilbefüllung in Minuten 3)	164
Vollständige Befüllung (Tdry) - Minuten	215
Teilbefüllung* (Tdry½) - Minuten	125
Kondensationseffizienzklasse auf einer Skala von G (geringste Effizienz) bis A (höchste Effizienz)	C
Durchschnittliche Kondensationseffizienz - %	
Gewichtete (Ct) vollständige Befüllung und Teilbefüllung 3)	71
Vollständige Befüllung Cdr	71
Teilbefüllung Cdry½	72
Luftschallemissionen - dB(A) re 1 pW	69.0
1) Das "Standard-Baumwollprogramm" ist bei vollständiger Befüllung und Teilbefüllung das Standardtrocknungsprogramm, auf das sich die Informationen auf dem Etikett und im Datenblatt beziehen, dass dieses Programm zum Trocknen normaler nasser Baumwolltextilien geeignet und in Bezug auf den Energieverbrauch für Baumwolle am effizientesten ist.	
2) Jährlicher Energieverbrauch auf der Grundlage von 160 Trocknungszyklen für das Standard-Baumwollprogramm bei vollständiger Befüllung und Teilbefüllung sowie des Verbrauchs der Betriebsarten mit geringer Leistungsaufnahme. Der tatsächliche Energieverbrauch je Zyklus hängt von der Art der Nutzung des Geräts ab.	
3) In drei Zyklen bei voller Ladung und 4 Zyklen bei halber Ladung gemessenes Durchschnittsgewicht.	
Vorschrift 932/2012.	
Kunstfasern: energieverbrauch bei vollständiger Befüllung; kWh	0.92
Kunstfasern: vollständige Befüllung - Minuten	90
Kunstfasern: Teilbefüllung N/A	



! Dieses Haushaltsgerät wurde unter Beachtung der internationalen Sicherheitsnormen geplant und hergestellt. Die nachfolgenden Hinweise werden aus Sicherheitsgründen geliefert und sind aufmerksam zu beachten.

## Allgemeine Sicherheit

- Dieser Wäschetrockner darf von Personen (einschließlich Kinder ab 8 Jahren) mit eingeschränkten körperlichen, geistigen oder sensorialen Fähigkeiten oder ohne ausreichende Erfahrung und Kenntnis verwendet werden, vorausgesetzt, sie werden durch eine für ihre Sicherheit verantwortliche Person beaufsichtigt und eingewiesen.
- Dieser Trockner wurde nur zum häuslichen Gebrauch und nicht für gewerbliche Zwecke geplant.
- Berühren Sie das Gerät nicht barfuß oder mit nassen Händen oder Füßen.
- Trennen Sie das Haushaltsgerät vom Stromnetz, indem Sie den Stecker und nicht das Kabel ziehen.
- Schalten Sie den Wäschetrockner nach dem Gebrauch aus und trennen Sie ihn vom Stromnetz ab. Halten Sie die Gerätetür geschlossen, um zu vermeiden, dass Kinder sie zum Spielen benutzen können.
- Kinder müssen beaufsichtigt werden, um sicherzustellen, dass sie nicht mit dem Wäschetrockner spielen.
- Wartung und Reinigung dürfen nicht von unbeaufsichtigten Kindern ausgeführt werden.
- Kinder unter 3 Jahren müssen von dem Wäschetrockner ferngehalten werden, wenn sie nicht ständig beaufsichtigt werden.
- Das Haushaltsgerät muss ordnungsgemäß aufgestellt werden und über eine angemessene Lüftung verfügen. Die Belüftungsöffnung auf der Vorderseite des Wäschetrockners und die Luftabzüge auf der Rückseite dürfen nicht verstopft sein (siehe Aufstellung).
- Benutzen Sie den Wäschetrockner nie auf einem Teppichboden, dessen Florhöhe die Luftzufuhr über die Unterseite des Geräts verhindert.
- Prüfen Sie, dass der Trockner leer ist, bevor Sie ihn füllen.
-  Die Rückseite des Wäschetrockners kann sehr warm werden: berühren Sie sie nie, wenn sich das Gerät in Betrieb befindet.
- Benutzen Sie den Wäschetrockner nicht, wenn das Flusensieb, der Wasserauffangbehälter und der Kondensator nicht korrekt positioniert sind (siehe Wartung).
- Überladen Sie den Trockner nicht (siehe Wäsche, maximale Füllmenge).
- Geben Sie keine völlig nassen Kleidungsstücke in das Gerät.
- Befolgen Sie aufmerksam alle auf den Etiketten der Kleidungsstücke angegebenen Hinweise zum Waschen der Teile (siehe Wäsche).
- Entfernen Sie alle Gegenstände aus den Taschen, besonders Feuerzeuge (Explosionsgefahr).
- Geben Sie keine besonders großvolumigen Teile in den Trockner.
- Trocknen Sie keine Kunstfasern bei hohen Temperaturen.
- Schalten Sie den Wäschetrockner nicht aus, wenn er noch warme Kleidungsstücke enthält.
- Reinigen Sie das Flusensieb nach jedem Gebrauch (siehe Wartung).
- Entleeren Sie den Wasserauffangbehälter nach jedem Gebrauch (siehe Wartung).
- Reinigen Sie regelmäßig die Kondensatoreinheit (siehe Wartung).
- Vermeiden Sie die Ansammlung von Flusen im Trockner.
- Steigen Sie nicht auf die obere Platte des Wäschetrockners, da das Gerät beschädigt werden könnte.
- Beachten Sie immer die Vorschriften und die elektrischen Eigenschaften des Geräts (siehe Aufstellung).
- Kaufen Sie immer Originalersatzteile und -zubehör (siehe Kundendienst).

## Hinweise zur Minimierung des Brandrisikos im Wäschetrockner:

- Nur solche Artikel in den Trockner legen, die mit Waschmittel und Wasser gewaschen und danach gründlich gespült und geschleudert wurden. Artikel, die NICHT mit Wasser gewaschen wurden, stellen ein Brandrisiko dar.
- Keine Wäsche trocknen, die mit Chemikalien behandelt wurde.



- Keine Wäsche trocknen, die mit Gemüse- oder Speiseöl verschmutzt oder vollgesogen ist, da dies ein Brandrisiko darstellt. Mit Öl verschmutzte Wäschestücke können sich selbst entzünden, besonders, wenn sie einer Wärmequelle wie einem Wäschetrockner ausgesetzt werden. Die Wäschestücke werden erwärmt, was zu einer Oxidationsreaktion mit dem Öl führt wobei die Oxidation weitere Hitze erzeugt. Wenn die Hitze nicht entweichen kann, können die Wäschestücke so heiß werden, dass sie sich entzünden. Durch Aufsichten, Stapeln oder Übereinanderliegen von ölverschmutzten Wäschestücken kann die Wärme nicht entweichen und dies führt zu einem Brandrisiko.  
Wenn unbedingt Wäsche, die mit Gemüse- oder Speiseöl oder mit Haarpflegeprodukten verunreinigt ist, im Wäschetrockner getrocknet werden muss, dann sollte sie zunächst mit besonders viel Waschmittel gewaschen werden - dies reduziert das Risiko, beseitigt es aber nicht. Sie sollte nicht aus dem Trockner entnommen und in heißem Zustand gestapelt bzw. übereinandergelegt werden.
- Keine Wäsche trocknen, die zuvor mit Benzin, chemischen Lösungsmitteln oder anderen brennbaren oder explosiven Substanzen gereinigt, gewaschen, eingeweicht oder verschmutzt worden ist. Leichtentzündliche Stoffe, die häufig im häuslichen Umfeld verwendet werden sind: Speiseöl, Aceton, Spiritus, Petroleum, Fleckenentferner, Terpentin, Wachse und Wachs-Entferner. Stellen Sie sicher, dass solche Wäschestücke in heißem Wasser mit einer zusätzlichen Menge an Waschmittel gewaschen worden sind, bevor sie im Trockner getrocknet werden.
- Im Trockner darf keine Wäsche getrocknet werden, die Schaumgummi (auch Latex-Schaum genannt) oder ähnlich strukturierte gummiartige Materialien enthalten. Schaumstoff-Materialien können, wenn sie erhitzt werden, durch Selbstentzündung Brände auslösen.
- Weichspüler oder ähnliche antistatische Produkte dürfen nicht in einem Wäschetrockner benutzt werden, es sei denn, die Verwendung ist vom Hersteller des Weichspüler-Produktes ausdrücklich

empfohlen.

- Keine Unterwäsche trocknen, die Metallverstärkungen enthält z.B. BHs, die mit Metalldrähten verstärkt sind. Dies kann Schäden am Wäschetrockner verursachen, wenn die Metallverstärkungen sich während des Trocknens lockern sollten.
- Keine Artikel aus Gummi, Kunststoff (z.B. Duschhauben oder Wickelunterlagen), Polyethylen oder Papier trocknen.
- Keine gummibeschichteten Artikel, Kleidung mit Schaumgummi-Pads, Kissen, Galoschen oder Gummi-Turn/Tennisschuhe trocknen.
- Leeren Sie komplett alle Taschen (Feuerzeuge, Streichhölzer, etc.).

**! ACHTUNG: Schalten Sie den Trockner nie vor Beendigung des Trockenzyklus aus, es sei denn, die Teile werden schnell entfernt und aufgehängt, sodass sich die Wärme verteilen kann.**

### Energiesparender Betrieb und Umweltschutz

- Bevor Sie die Teile trocknen, diese auswringen, um soviel Wasser wie möglich zu entfernen (falls Sie zuvor die Waschmaschine benutzen, einen Schleuderzyklus wählen). Auf diese Weise wird Energie während des Trocknens eingespart.
- Wird der Wäschetrockner immer mit voller Wäschefüllung benutzt, wird ebenso Energie eingespart: einzelne Teile und kleine Füllmengen benötigen mehr Zeit zum Trocknen.
- Reinigen Sie das Flusensieb am Ende eines jeden Trockenzyklus, um die mit dem Energieverbrauch verbundenen Kosten gering zu halten (siehe Wartung).

# Wartung und Pflege

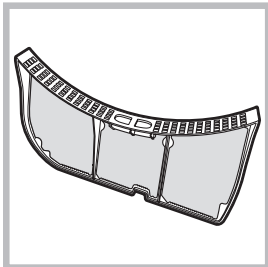
DE

## Abschalten vom Stromnetz

! Trennen Sie den Wäschetrockner von der Stromversorgung, wenn er nicht in Betrieb ist sowie während Reinigungs- und Wartungsarbeiten.

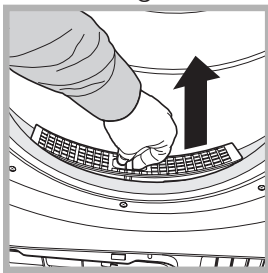
## Reinigung des Flusensiebs nach jedem Trockenzyklus

Das Flusensieb ist ein äußerst wichtiger Bestandteil des Trockners: seine Aufgabe besteht darin, Flocken und Flusen, die während des Trocknens entstehen, aufzusammeln.



Bei Beendigung des Trockenvorgangs das Flusensieb immer unter fließendem Wasser spülen oder es mit dem Staubsauger reinigen. Falls das Flusensieb verstopft, wird der Luftstrom im Trockner stark beeinträchtigt: die

Trockenzeiten verlängern sich und es wird mehr Energie verbraucht. Außerdem kann der Wäschetrockner beschädigt werden. Das Flusensieb befindet sich vor der Dichtung des Trockners (siehe Abbildung) Entfernung des Flusensiebs:



1. Ziehen Sie den Kunststoffgriff des Flusensiebs nach oben (siehe Abbildung).  
2. Reinigen Sie das Sieb von Flusen und setzen Sie es wieder ordnungsgemäß ein. Vergewissern Sie sich, dass das

Sieb flächenbündig mit der Dichtung des Trockners eingefügt wird.

! Benutzen Sie den Trockner nicht, bevor Sie nicht das Flusensieb wieder in die Aufnahme gesteckt haben.

## Prüfung der Trommel nach jedem Trockenzyklus

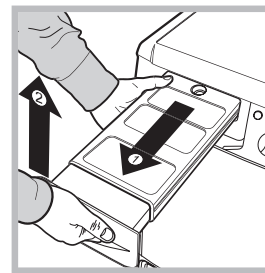
Drehen Sie die Trommel per Hand, um kleine Teile wie Taschentücher zu entfernen, die im Trockner geblieben sein könnten.

## Reinigung der Trommel

! Zur Reinigung der Trommel keine Scheuermittel, Stahlwolle oder Reinigungsmittel für Edelstahl verwenden.

Es könnte sich ein farbiger Belag auf der Edelstahltrommel bilden, verursacht durch eine Kombination von Wasser und Reinigungsstoffen wie Wäscheweichmacher. Dieser farbige Belag hat keine Auswirkungen auf die Leistungen des Wäschetrockners.

## Entleeren des Wasserauffangbehälters nach jedem Trockenzyklus



Nehmen Sie den Behälter aus dem Trockner und entleeren Sie ihn in einem Waschbecken oder einem anderen geeigneten Wasserabfluss; diesen anschließend wieder korrekt einsetzen.

Prüfen Sie immer den Wasserauffangbehälter und entleeren Sie diesen, bevor Sie

ein neues Trockenprogramm starten.

Die ausbleibende Entleerung des Wasserauffangbehälters verursacht:

- Die Deaktivierung der Heizung (die Wäschefüllung könnte somit bei Beendigung des Trockenzyklus noch feucht sein).
- Die LED „Wasser leeren“ leuchtet auf und signalisiert, dass der Behälter voll ist.

## Aufladen des Wasserauffangsystems

Wenn der Wäschetrockner neu ist, sammelt der Wasserauffangbehälter kein Wasser, solange das System nicht aufgeladen wird. Dieser Vorgang kann 1 oder 2 Trockenzyklen beanspruchen. Wurde das System aufgeladen, sammelt es bei jedem Trockenzyklus Wasser.

## Reinigung Wärmepumpenfiltereinheit

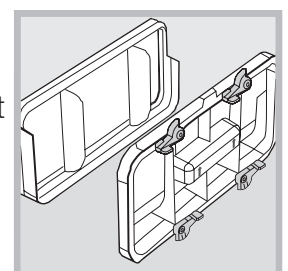
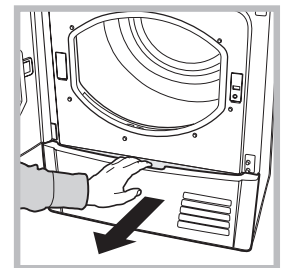
• Regelmäßig (alle 5 Zyklen) muss der Wärmepumpenfilter herausgenommen und gereinigt werden.

Die Fusseln auf der Filterfläche können unter fließendem Wasser oder mit einem Staubsauger entfernt werden.

Es wird jedoch empfohlen, diesen Filter nach jedem Trockenvorgang zu

reinigen, um optimale Leistungen zu erhalten. Wie wird die Wärmepumpenfiltereinheit herausgenommen:

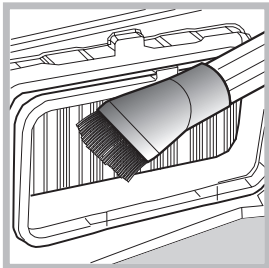
1. Den Stecker abziehen und die Klappe öffnen.
2. Den Deckel des Wärmepumpenfilters



herausnehmen, die 4 Clips nach oben drehen und die Filtereinheit herausnehmen.

3. Die beiden Filterteile trennen und die eventuell vorhandenen Fusseln auf der Innenseite des Filternetzes entfernen.

**! ACHTUNG: Die Vorderseite des Wärmepumpe besteht aus dünnen Metallplatten. Bei der Reinigung muss die Filtereinheit entfernt oder beiseite gelegt werden. Achten Sie darauf, sie nicht zu beschädigen und sich dabei nicht zu schneiden.**



4. Gleichzeitig mit der Reinigung der Wärmepumpe muss auch der auf den Metallplatten angesammelte Schmutz mit einem feuchten Tuch, einem Schwamm oder einem Staubsauger beseitigt werden. Dazu

nicht die Finger verwenden.

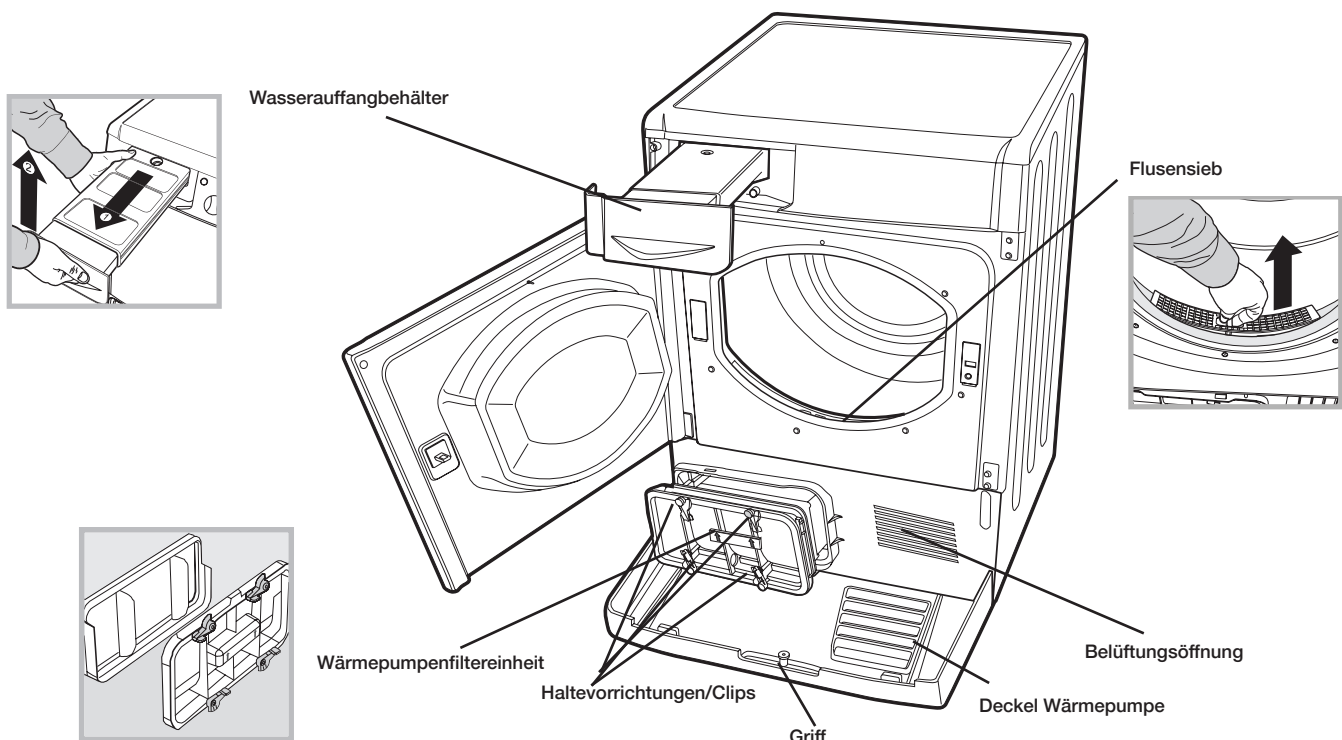
5. Die Beiden Filterteile wieder zusammen setzen, die Dichtung reinigen und den Filter wieder einsetzen; Die 4 Clips zurück in die waagerechte Position drehen und darauf achten, dass sie gut eingerastet sind.

## Reinigung des Wäschetrockners

- Die äußeren Metall- und Kunststoffteile sowie die Gummitteile können mit einem feuchten Tuch gereinigt werden.
  - Periodisch (alle 6 Monate) mit dem Staubsauger das Gitter der Belüftungsöffnung auf der Vorderseite und die Luftabzüge auf der Rückseite reinigen, um eventuelle Flusen-, Flocken- und Staubansammlungen zu entfernen. Außerdem Flusenansammlungen auf der Vorderseite des Kondensators und den Flächen des Flusensiebs entfernen; dazu gelegentlich den Staubsauger benutzen.
- ! Vermeiden Sie den Einsatz von Löse- und Scheuermitteln.**  
**! Lassen Sie den Trockner regelmäßig von autorisierten Technikern überprüfen, um die Sicherheit der elektrischen und mechanischen Teile zu gewährleisten (siehe Kundendienst).**

## Kurzempfehlungen

- ! Denken Sie daran, den Türfilter und die Wärmepumpe nach jedem Trockengang zu reinigen.**
- ! Denken Sie daran, den Wasserbehälter nach jeder Füllung zu leeren.**
- ! Auf diese Weise erhalten Sie die besten Leistungen!**



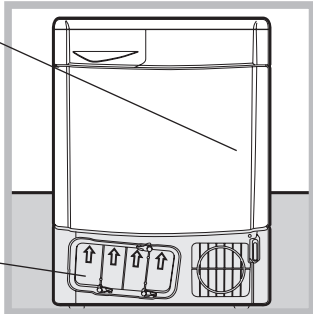
# Beschreibung des Wäschetrockners

DE

## Öffnung der Gerätetür

Gegen die Gerätetür drücken

Kondensatoreinheit (offener Deckel)



## Merkmale

Wasserauffangbehälter

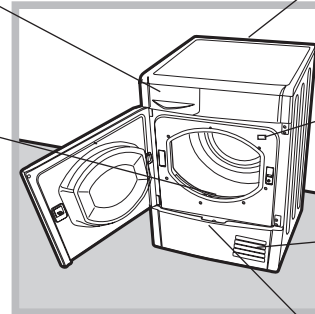
Flusensieb

Typenschild mit Betriebsdaten

Modell und Seriennummer

Gitter der Belüftungsöffnung

Griff des Kondensatordeckels (zum Öffnen ziehen)

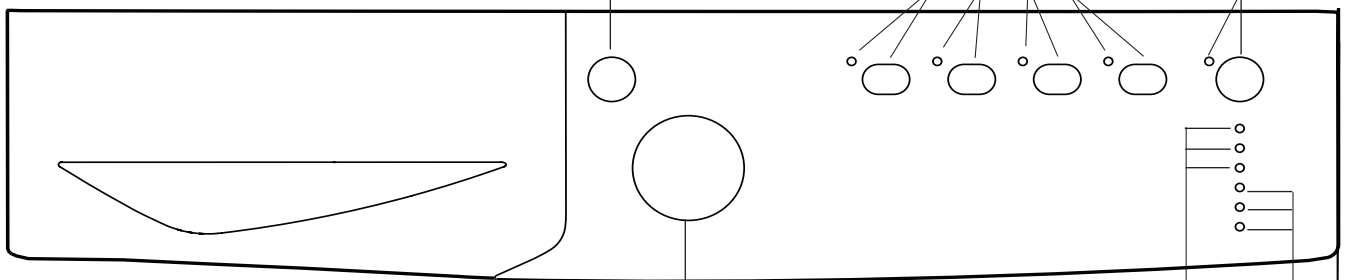


## Bedienblende

Taste ON/OFF

Tasten und Kontrollleuchten Zusatzfunktionen

Taste und Kontrollleuchte START/PAUSE



Wählschalter Programme

Wartungskontrollleuchten

Kontrollleuchten Trockenphasen oder Startzeitvorwahl

### Taste ON/OFF/Reset

Mit einem normalen Druck der Taste wird das Gerät ein- oder ausgeschaltet. Läuft der Wäschetrockner, dann kann er durch längeres Drücken von etwa 3 Sekunden ausgeschaltet und der laufende Zyklus gelöscht werden.

### Wählschalter Programme

Zur Einstellung der Programme: drehen Sie den Schalter, bis die Anzeige auf das gewünschte Programm zeigt (*siehe Start und Programmwahl*).

### Tasten für Zusatzfunktionen

ermöglichen es, die verfügbaren Zusatzfunktionen für das gewählte Programm zu wählen. Die Kontrollleuchten schalten sich ein, um anzuzeigen, dass die Zusatzfunktion gewählt wurde (*siehe Programme und Zusatzprogramme*).

### Taste und Kontrollleuchte START/PAUSE

Sobald die grüne Kontrollleuchte langsam blinkt, Start/Pause drücken, um das Programm zu beginnen. Nach dem Start des Trockenprogramms leuchtet diese Anzeige dauerhaft. Um das Programm zu unterbrechen, erneut die Taste drücken; die Kontrolllampe blinkt orangefarbig.

Um das Programm an dieser Stelle wieder fortzusetzen erneut die Taste drücken (*siehe Start und Programmwahl*).

## Kontrollleuchten

### Wartungskontrollleuchten


Die Kontrollleuchten signalisieren:

Die Kontrollleuchte "Wasser leeren"  zeigt an, dass der Wasserauffangbehälter geleert werden muss.


Wenn der Behälter sich im Laufe des Programms füllt, schaltet sich die LED ein. Der Trockner startet automatisch den Kaltluftzyklus und die LED START/PAUSE blinkt bernsteinfarben. Um den Zyklus an der Stelle, an der er unterbrochen wurde, wieder zu starten, die Taste START/PAUSE drücken.


Deshalb, den Wasserauffangbehälter immer, nach jeder Nutzung des Trockners, entleeren (*siehe Wartung*).

Die Kontrollleuchte Filter reinigen  erinnert Sie vor jedem neuen Programm daran, dass das Flusensieb unbedingt bei jeder neuen Nutzung des Trockners gesäubert werden muss (*siehe Wartung und Pflege*).

Die Kontrollleuchte Wärmepumpenfiltereinheit reinigen  erinnert daran, dass der Kondensator unbedingt in regelmäßigen Abständen gereinigt werden muss (*siehe Wartung und Pflege*).

### Kontrollleuchten "Trockenphasen"

Die Kontrollleuchte  zeigt die laufende Trockenphase an.

Die Kontrollleuchte  zeigt die laufende Abkühlphase an.

Die Kontrollleuchte **END** zeigt das Programmende an.

### Kontrollleuchten "Startzeitvorwahl"

Wurde die Funktion „Startzeitvorwahl“ (*siehe „Programme und Zusatzfunktionen“*) aktiviert, und das Programm in Gang gesetzt, schaltet die Kontrollleuchte, die der eingestellten Zeitverschiebung entspricht, auf Blinklicht:

 3h

 6h

 9h

Nach und nach wird die bis zum effektiven Start noch verbleibende Zeit eingeblendet, die entsprechende Kontrollleuchte blinkt:

 3h

 6h

 9h

Nach Ablauf der eingestellten Verzögerungszeit startet das ausgewählte Programm.

# Durchführung eines Trockenprogramms

DE

## Wahl und Start des Programms

1. Stecken Sie den Stecker des Wäschetrockners in die Netzsteckdose.
2. Wählen Sie die Wäscheart aus (*siehe Wäsche*).
3. Öffnen Sie die Gerätetür und vergewissern Sie sich, dass das Flusensieb sauber und korrekt positioniert ist; der Wasserauffangbehälter muss leer sein und sich an seiner vorgesehenen Stelle befinden (*siehe Wartung*).
4. Füllen Sie das Gerät und achten Sie darauf, dass sich kein Kleidungsstück zwischen die Gerätetür und Dichtung gelangt. Schließen Sie die Tür.
5. Drücken Sie die Taste ON/OFF um das Gerät zu starten.
6. Drehen Sie den Programmwählschalter bis die Anzeige auf die gewünschte Stoffart anzeigt, nachdem Sie die Programmtabelle (*siehe Programme und Zusatzprogramme*) und die Angaben für jeden Stofftyp überprüft haben (*siehe Wäsche*).  
**! Achtung:** Falls sich nach dem Drücken der Taste START/PAUSE die Position des Programmwählschalters verändert hat, ändert die neue Position NICHT das gewählte Programm. Zur Änderung des Programms drücken Sie die Taste START/PAUSE, um das Programm anzuhalten (die Kontrollleuchte blinkt orangefarben), wählen Sie das neue Programm und die entsprechenden Zusatzprogramme. Drücken Sie die Taste START/PAUSE, um das neue Trockenprogramm zu starten.
7. Falls erwünscht, geben Sie die Vorwahlzeit und die anderen Zusatzfunktionen ein (*siehe Programme und Zusatzprogramme*).
8. Zur Inbetriebnahme drücken Sie die Taste START/PAUSE.  
Während des Trockenprogramms können Sie die Wäsche überprüfen und Kleidungsstücke entfernen, die bereits trocken sind, während die anderen weiter getrocknet werden. Nachdem Sie die Tür geschlossen haben, drücken Sie START/PAUSE, um die Maschine erneut in Betrieb zu setzen.
9. Während der letzten Minuten des Trockenprogramms, vor dem Programmende, geht das Gerät in die KALTTROCKENPHASE über (die Stoffe werden abgekühlt); es ist wichtig, dass diese Programmphase immer beendet wird.
10. Das Einschalten der Kontrollleuchte **END** zeigt an, dass das Programm beendet ist. Um Sie wissen zu lassen, dass Ihr Programm beendet ist, gibt der Buzzer 3 Beep-Töne. Öffnen Sie die Tür, entnehmen Sie die Wäsche, reinigen Sie das Flusensieb und setzen Sie es wieder ein. Entleeren Sie den Wasserauffangbehälter nach jedem Gebrauch und setzen Sie ihn wieder ein (*siehe Wartung*).  
Falls Sie die Option **Knitterschutz** "Anti Crease" gewählt haben und die Wäsche nicht sofort entfernt wird, während der automatischen Knitterfestphase, sofern kompatibel, werden die Kleidungsstücke - bis zu 10 Stunden. Die Öffnung der Tür oder das Ausschalten des Gerätes durch Drücken des Knopfs OFF (AUS) schaltet automatisch die Knitterschutz Funktion aus.
11. Trennen Sie den Trockner vom Stromnetz.

## Funktion Standby

Zur Erfüllung der neuen Richtlinien zum Energieverbrauch ist diese Wäschetrockner mit einem automatischen Ausschaltssystem (Standby) ausgestattet, das nach 30 Minuten des Nichtgebrauchs in Funktion tritt. Drücken Sie die ON/OFF-Taste und halten Sie diese, bis der Trockner wieder aktiviert ist.



## Programmtabelle

	Programm	Max. Last (kg)	Kompatible Optionen	Zyklusdauer <sup>3</sup>
<b>Fast &amp; Easy</b>				
1	Schnell 45 Min	1	Knitterschutz - Startzeitvorwahl.	45'
2	Easy Mix	3	Knitterschutz - Startzeitvorwahl.	100'
3	Baumwolle Bügelleicht	Max.	Extra Care - Knitterschutz - Startzeitvorwahl.	170'
4	Synthetik Bügelleicht	4	Knitterschutz - Startzeitvorwahl.	65'
<b>Essentials</b>				
5	Standard Baumwolle <sup>2</sup>	Max.	Extra Care - Energy Saver <sup>1</sup> - Knitterschutz - Startzeitvorwahl.	195'
6	Baumwolle Trocken	Max.	Knitterschutz - Startzeitvorwahl.	205'
7	Synthetik	4	Energy Saver <sup>1</sup> - Knitterschutz - Startzeitvorwahl.	95'
8	Jeans	3	Knitterschutz - Startzeitvorwahl.	135'
<b>Special Care</b>				
9	Baby & Feines	2	Knitterschutz - Startzeitvorwahl.	80'
10	Wolle	1	-	60'
11	Daunen	1,5	Knitterschutz - Startzeitvorwahl.	100'
12	Spezial Schuhe	1 paio	-	100'
<b>Timed &amp; Post Dry</b>				
13	60 minutes	-	Extra Care - Knitterschutz - Startzeitvorwahl.	-
14	120 minutes	-	Extra Care - Knitterschutz - Startzeitvorwahl.	-
15	Falten Glätten	-	-	10'
16	Auffrischen	2,5	-	20'

**Hinweis: 1** Bei dieser Option wird die maximale Füllmenge geändert. Beschreibung der Option nachsehen. **2** Dies ist das effizienteste Programm im Hinblick auf den Energieverbrauch (EU 392/2012). **3** Die Dauer dieser Programme ist von der Füllmenge, von der Arte des Gewebes, von der gewählten Schleudergeschwindigkeit und von allen gewählten Zusatzfunktionen abhängig.

## Spezial-/Sport-/Teilprogramme


### Schnell 45 Min

Ein rasches Zeit-Programm, ideal für das Trocknen von Geweben, die bereits bei Hochgeschwindigkeit in der Waschmaschine geschleudert wurden, beispielsweise die Hemden, die im Verlauf einer Arbeitswoche benutzt wurden.

### Easy MIX

Dieses Programm ist ideal für das gleichzeitige Trocknen von Baumwoll- und Kunstfasergeweben bis auf eine Trocknungsstufe, die das Bügeln erleichtert.

 **Standard Baumwolle:** Trocknungsstufe, die es ermöglicht, die Wäsche zu trocknen und sie direkt in den Schrank zu legen

 **Baumwolle Trocken+:** Trocknungsstufe, die es ermöglicht, die höchste Trocknungsstufe zu erlangen. Sogar noch trockener, als bei Standard Baumwolle programm.

### Programm Jeans


Dies ist ein Programm für Jeans aus Denim-Baumwolle. Vor dem Trocknen der Jeans die Hosentaschen umstülpen. Keine dunklen und hellen Kleidungsstücke miteinander vermischen. Kann auch für andere Kleidungsstücke aus dem gleichen Material verwendet werden, wie beispielsweise Jacken. Die mit dem Programm „extra“ getrockneten Kleidungsstücke können normalerweise unmittelbar angezogen werden, auch wenn die Nähte und Säume noch leicht feucht sind. In diesem Fall die Jeans wenden und das Programm nochmals kurz laufen lassen.

! Dieses Programm ist dagegen nicht zu empfehlen für Jeans mit Elastiksätzen, Nieten oder Stickereien.

**Baby & Feines** 

Ein speziell für das Trocknen von Kleidung und Wäsche von Kleinkindern (Baumwolle und Chenille) und Feinwäsche ausgelegtes Programm. Keine Teile mit Kunststoffbeschichtung trocknen.

**Programm Wolle** 

Dies ist ein Programm für Kleidungsstücke, die sich für das Trocknen in der Trommel eignen und mit dem Symbol  gekennzeichnet sind. Es kann für Füllungen bis zu **1 kg** verwendet werden (etwa 3 Pullover). Wir empfehlen, die Teile vor dem Trocknen auf links zu ziehen. Die mit diesem Programm getrockneten Teile können im Allgemeinen sofort getragen werden; bei einigen, etwas schwereren Kleidungsstücken könnten die Ränder jedoch noch leicht feucht sein. Lassen Sie diese natürlich trocknen, da ein weiterer Trocknungsvorgang die Teile beschädigen könnte.

! Im Gegensatz zu anderen Stoffen kann das Einlaufen von Wolle nicht rückgängig gemacht werden; somit nimmt das Kleidungsstück nicht wieder die ursprüngliche Größe und Form an.

! Dieses Programm eignet sich nicht für Teile aus Kunstfasern.

**Daunen** 

Ein Zyklus, der eigens entwickelt wurde, um Feder- und Daunenjacken zu trocknen und ihnen ihre natürliche Weichheit zurückzugeben ( 2 Jacken).

**Programm Spezial Schuhe** 

Dieses Programm dient zum Trocknen eines Schuhpaares. Die Schuhe müssen gewaschen und bei einer Mindestgeschwindigkeit von **400 Umdrehungen** geschleudert worden sein.

Sie müssen mit der speziellen, mitgelieferten Schuhhalterung in das Gerät gelegt werden. Trocknet man Schuhe einfach lose in der Trommel, wird das Gerät beschädigt. Entfernen Sie das Flusensieb aus dem vorderen Bereich des Trockners und setzen Sie hier die Schuhhalterung ein.

Stecken Sie die Schuhbänder in die Schuhe und setzen Sie sie mit der Spitze nach unten und der Sohle nach vorne auf die Halterung.

Die Trockenzeiten hängen von Schuhform und -typ ab. Sollten die Schuhe bei Ablauf des Programms nicht ganz trocken sein, dann starten Sie es erneut.

! Trocknen Sie keine Schuhe mit Gelfüllung oder Blinklichtern. Trocknen Sie nur Schuhe aus synthetischem Material oder Stoff. Am Ende des Programms nehmen Sie die Schuhhalterung heraus und setzen das Flusensieb wieder ein.

**Falten Glätten** 

Ein Kurzprogramm (etwa 10 Minuten), das die Fasern der Wäschestücke auflockert, um das Bügeln zu erleichtern.

Das Programm ist besonders für Baumwolle oder Baumwollgemisch geeignet.


Optimale Ergebnisse erzielen Sie, wenn Sie die Trommel nicht überladen (die nachfolgenden Werte beziehen sich auf das Gewicht der getrockneten Teile):

Gewebe: Wäschekapazität voll nutzen - Baumwolle und Baumwollmischung: **2,5 kg** - Kunstfasern: **2 kg** - Jeans: **2 kg**

Den Trockner sofort nach Beendigung des Programms entleeren; die Kleidungsstücke aufhängen, falten oder bügeln und in den Schrank legen. Falls dies nicht möglich ist, das Programm wiederholen.

! Bügelleicht ist kein Trockenprogramm und kann somit nicht bei noch nassen Kleidungsstücken verwendet werden.

Die vom Programm Bügelleicht erzeugte Wirkung variiert von Stoff zu Stoff: die Eigenschaften von Stoffen wie Kunstfasern oder o Tencel® zeigen andere Ergebnisse als traditionelle Stoffe (z.B. Baumwolle).

**Auffrischen** 

Kurzprogramm zur Auffrischung der Fasern und Wäscheteile durch einen Frischluftstrom. Es dauert etwa **20 Minuten**.

! Es ist kein Trockenprogramm und kann somit nicht für nasse Kleidungsstücke verwendet werden.

Es kann mit jeder Ladungsgröße verwendet werden, ist jedoch effektiver bei kleineren Ladungen.

Gewebeart	Max. Beladungsmenge				
	1 kg	2 kg	3 kg	- kg	- kg
Baumwolle – hohe Temperatur	60 minuten	60 or 120 minuten	120 minuten	-	-
Synthetik – niedriger Temperatur	60 minuten	60 minuten	60 or 120 minuten	-	-
Kunstfasern – niedriger Temperatur	60 minuten	120 minuten	-	-	-

## Optionen

Diese Zusatzfunktionen werden benutzt, um das gewählte Programm auf Ihre persönlichen Erfordernisse abzustimmen.

### Extra-Care

Eine Option, die für das Trocknen äußerst empfindlicher Kleidungsstücke geschaffen wurde. Bei Betätigung dieser Taste leuchtet die entsprechende Led auf und das Trocknen erfolgt bei geringeren Temperaturen. Bei Aktivierung dieser Funktion dauert das Programm länger. Diese Option ist für alle Zeitprogramme einstellbar.

### Energy Saver

Eine Option, die zur Optimierung des Trocknens bei kleinen Füllmengen (Baumwolle max. 2 kg, Kunstfasern max. 1 kg) dient, um den Verbrauch und die Programmdauer zu minimieren.

### Knitterschutz

Die Knitterschutz-Funktion setzt automatisch eine Vor- und Nachbehandlung Gang. Der Knitterschutz beugt durch alternierendes Drehen der Trommel der Faltenbildung der Wäsche vor.

Die Option beinhaltet einen Vor-Knitterschutz, der nur aktiviert wird, wenn der verzögerte Start ausgewählt wurde, und einen Nach-Knitterschutz am Ende des Trockenzyklus.

Der Knitterschutz ist deshalb die beste Lösung, um die Entstehung von Falten zu verhindern, wenn die Startverzögerung ausgewählt wurde und wenn Sie die Wäsche nicht gleich nach Ende des Trockenzyklus herausnehmen können.

### Startzeitvorwahl

Der Start von einigen Programmen (*siehe Start und Programme*) kann bis zu **9** Stunden vorgewählt werden. Die entsprechende Taste mehrfach drücken, bis die gewünschte Startzeit erreicht ist. Bevor Sie die Startvorwahl ausführen, sich vergewissern, dass der Wasserauffangbehälter leer und das Flusensieb sauber ist. Während dieser Zeit wird die Wäsche regelmäßig gedreht, um einem Zerknittern vorzubeugen.

! Nicht alle Zusatzfunktionen sind für alle Programme verfügbar (*siehe Programme und Zusatzprogramme*).

## Öffnung der Gerätetür

Wird die Gerätetür bei Programmablauf geöffnet (oder die Taste START/PAUSE gedrückt), schaltet sich der Trockner aus.

- Die Kontrollleuchte START/PAUSE blinkt orangefarben auf.
  - Während der Startvorwahl wird die Vorwahlzeit weitergezählt. Es ist notwendig, die Taste START/PAUSE zu drücken, um das Startvorwahlprogramm wieder aufzunehmen. Eine der Kontrollleuchten der "Startzeitvorwahl" blinkt auf, um die laufende Vorwahleinstellung anzuzeigen.
  - Es ist notwendig, die Taste START/PAUSE zu drücken, um das Programm wieder aufzunehmen. Die Anzeigenleuchten zeigen den Programmablauf an und die Kontrollleuchte START/PAUSE blinkt nicht sondern leuchtet grün.
  - Während der Trocknungsphase Knitterschutz Post-Care wird das Programm beendet. Durch Drücken der Taste START/PAUSE wird ein neues Programm von Anfang an gestartet.
  - Durch Drehen des Programmwählschalters wird ein neues Programm gewählt und die Kontrollleuchte START/PAUSE blinkt grün. Es ist beispielsweise möglich das Programm Kalttrocknung zu wählen, um die Kleidungsstücke abzukühlen.
- Drücken Sie die Taste START/PAUSE, um das neue Trockenprogramm zu starten.

### Schutz des Wärmepumpensystems

Das Wärmepumpensystem wird über einen Kompressor mit einem Schutz betrieben, der sich einschaltet, wenn die Tür geöffnet wird oder wenn es zu einer plötzlichen Spannungsunterbrechung kommt. Dieser Schutz verhindert für fünf Minuten nachdem die Tür geschlossen und der Zyklus wieder gestartet wurde den Neustart des Kompressors.

**Hinweis:** Im Fall eines Stromausfalls schalten Sie das Gerät aus oder ziehen Sie den Stecker. Wenn wieder Strom vorhanden ist, stecken Sie das Gerät ein, drücken Sie die **ON/OFF**-Taste und halten Sie diese gedrückt, bis der Trockner wieder aktiviert ist, und drücken Sie anschließend die Start/Pause-Taste.

# Wäsche

DE

## Unterteilung der Wäsche

- Kontrollieren Sie die auf den Etiketten der verschiedenen Wäscheteile angeführten Symbole, um sicherzustellen, dass die Teile für einen Trommeltrockner geeignet sind.
- Die Wäsche nach Art der Stoffe unterteilen.
- Entleeren Sie alle Taschen und kontrollieren Sie die Knöpfe.
- Schließen Sie Reißverschlüsse und Haken und ziehen Sie Gürtel und Schnürriemen zu, ohne sie jedoch zu straffen.
- Wringen sie die Wäscheteile aus, um die größtmögliche Menge Wasser zu entfernen.

! Beladen Sie den Wäschetrockner nicht mit Teilen, die völlig voller Wasser sind.

### Maximale Lademengen

Die Trommel nicht über das maximale Fassungsvermögen füllen. Die folgenden Werte beziehen sich auf das Gewicht der trockenen Kleidungsstücke:  
 Naturfasern: max. 7 kg  
 Kunstfasern: max. 4 kg

! Um die Leistungsfähigkeit des Wäschetrockners nicht zu beeinträchtigen, nicht überladen.

## Etiketten mit Pflegehinweisen

Kontrollieren Sie die Etiketten der Kleidungsstücke, besonders wenn Sie diese zum ersten Mal in den Wäschetrockner geben. Nachfolgend führen wir die gebräuchlichsten Symbole an:

- Kann im Wäschetrockner getrocknet werden.
- Nicht im Wäschetrockner trockenbar.
- Bei hoher Temperatur trocknen.
- Bei niedriger Temperatur trocknen.

## Trockenzeiten

Die angegebenen Zeiten sind lediglich Richtwerte und können auf der Basis folgender Faktoren variieren:

- In den Kleidungsstücken nach dem Schleudern verbliebene Wassermenge: Handtücher und Feinwäsche nehmen viel Wasser auf.
- Stoffe: Teile aus dem gleichen Stoff, aber mit verschiedener Stärke können unterschiedliche Trockenzeiten benötigen.
- Waschmenge: einzelne Teile und kleine Füllmengen können mehr Zeit zum Trocknen benötigen.
- Trocknen: Kleidungsstücke, die gebügelt werden müssen, können aus dem Gerät genommen werden, wenn sie noch etwas feucht sind. Teile, die vollkommen trocken sein müssen, können hingegen länger im Trockner bleiben.
- Eingestellte Temperatur.
- Raumtemperatur: je niedriger die Temperatur des Raums ist, indem sich der Wäschetrockner befindet, umso mehr Zeit wird zum Trocknen der Kleidungsstücke benötigt.
- Volumen: Großvolumige Teile erfordern eine besondere Behandlung während des Trockenvorgangs. Wir empfehlen, diese Teile herauszunehmen, zu schütteln und erneut in den Wäschetrockner zu geben: dieser Vorgang muss mehrmals während des Trockenzyklus wiederholt werden.

! Die Teile nicht übermäßig trocknen. Alle Stoffe enthalten natürliche Feuchtigkeit, die dazu dient, sie weich und luftig zu erhalten.

Die folgenden Trockenzeiten beziehen sich auf die automatischen Programme mit der Option „Schranktrocken“. Die Gewichte beziehen sich auf die trockenen Wäscheteile.

## Automatische Trockenzeiten

Baumwolle Hohe Temperatur						
Trockenzeiten nach Waschvorgängen bei 800-1000 U/min						
1 kg	2 kg	3 kg	4 kg	5 kg	6 kg	7 kg
60 - 90 minuten	80 - 100 minuten	100 - 130 minuten	120-140 minuten	140 - 180 minuten	150 - 190 minuten	170 - 200 minuten
Kunstfasern Niedriger Temperatur						
Trockenzeiten nach Waschgängen bei geringeren Geschwindigkeiten						
1 kg	2 kg	3 kg	4 kg			
40 - 50 minuten	50 - 60 minuten	60 - 90 minuten	90 - 110 minuten			
Feinwäsche Niedriger Temperatur						
Trockenzeiten nach Waschgängen bei geringeren Geschwindigkeiten						
1 kg			2 kg			
40 - 80 minuten			80 - 140 minuten			

Sollten Sie das Gefühl haben, dass Ihr Wäschetrockner nicht vorschriftsmäßig arbeitet, dann konsultieren Sie bitte die nachfolgende Tabelle, bevor Sie sich an ein Kundendienstzentrum (*siehe Kundendienst*) wenden.

## Störung:

## Mögliche Ursachen / Abhilfen:

**Der Wäschetrockner setzt sich nicht in Betrieb.**

- Der Netzstecker steckt nicht fest genug in der Steckdose, um den Kontakt herzustellen.
- Es besteht ein Stromausfall.
- Die Sicherung ist durchgebrannt. Versuchen Sie, ein anderes Haushaltsgerät an die gleiche Steckdose anzuschließen.
- Versuchen Sie, falls Sie eine Verlängerung benutzen, den Stecker des Wäschetrockners direkt in die Steckdose zu stecken.
- Die Gerätetür wurde nicht korrekt geschlossen.
- Das Programm wurde nicht korrekt eingestellt (*siehe Durchführung eines Trockenprogramms*).
- Die Taste START/PAUSE wurde nicht gedrückt (*siehe Durchführung eines Trockenprogramms*).
- Bei Maschinen mit "Gesperrt" Funktion kontrollieren, dass diese Option nicht aktiviert wurde (*siehe Programme und Zusatzprogramme*).

**Der Trockenzyklus startet nicht.**

- Es wurde eine Startvorwahl eingegeben (*siehe Programme und Zusatzprogramme*).
- Es wurde die Taste START/PAUSE gedrückt; vor dem effektiven Start des Trockners muss jedoch eine kurze Verzögerung abgewartet werden. Warten Sie den Anfang des Trockenzyklus ab und drücken Sie nicht erneut die Taste START/PAUSE: im gegenteiligen Fall geht der Trockner in den Pause- Modus über und startet den Trockenvorgang nicht.

**Die Trockenzeiten sind lang.**

- Das Flusensieb wurde nicht gereinigt (*siehe Wartung*).
- Muss der Wasserauffangbehälter entleert werden? Die Kontrollleuchte blinkt auf (*siehe Wartung*).
- Der Wärmepumpenfiltereinheit, muss gereinigt werden (*siehe Wartung*).
- Die eingestellte Temperatur eignet sich nicht für den zu trocknenden Stofftyp (*siehe Programme und Zusatzprogramme*).
- Es wurde nicht die korrekte Trockenzeit für diese Füllmenge gewählt (*siehe Wäsche*).
- Die Kleidungsstücke sind zu nass (*siehe Wäsche*).
- Der Trockner wurde überfüllt (*siehe Wäsche*).

**Die Kontrollleuchte "Wasser leeren" blinkt auf.**

- Der Wasserauffangbehälter wurde wahrscheinlich nicht vor dem Programmstart geleert. Warten Sie nicht das Signal zur Wasserentleerung ab (Gibt der Buzzer 3 Beep-Töne, Die Kontrollleuchte "Wasser leeren" blinkt auf), sondern kontrollieren Sie immer den Behälter und entleeren Sie ihn, bevor Sie ein neues Trockenprogramm starten (*siehe Beschreibung des Wäschetrockners*).

**Bei Programmende sind die Kleidungsstücke feuchter als erwartet.**

- ! Aus Sicherheitsgründen haben die Programme des Trockners eine maximale Dauer von 5 Stunden. Falls ein Automatikprogramm nicht die verlangte Feuchtigkeit in diesem Intervall ermitteln konnte, beendet der Trockner das Programm und schaltet sich aus. Prüfen Sie die oben angegebenen Punkte und wiederholen Sie das Programm; falls die Kleidungsstücke noch feucht sind, den Kundendienst kontaktieren (*siehe Kundendienst*).

**Die Kontrollleuchten der "Zusatzprogramme" und die Kontrollleuchte "Start/Pause" blinken und eine der Kontrollleuchten "Wartung" oder "Trockenphasen" schalten sich dauerhaft ein.**

- Das Gerät ausschalten, den Stecker entfernen und das Flusensieb und den Wärmepumpenfiltereinheit reinigen (*siehe "Wartung und Pflege"*). Anschließend den Stecker wieder einstecken, das Gerät einschalten und ein anderes Programm starten. Bleibt die Störung bestehen, kontaktieren Sie bitte den Kundendienst.

**Der Trockner erzeugt im Verlauf der ersten Betriebsminuten Geräusche.**

- Dies ist normal, vor allem, wenn der Trockner für eine gewisse Zeit nicht verwendet wurde. Sich mit dem Kundendienst in Verbindung setzen, wenn die Geräusche während des gesamten Zyklus auftreten.

**Die Leuchten auf dem Steuerpaneel des Trockners sind aus, obwohl der Trockner eingeschaltet ist.**

- Der Trockner befindet sich im Standby-Modus, um Strom zu sparen. Dies tritt ein, wenn Sie den Trockner laufen lassen oder wenn es einen Stromausfall gab. Dies tritt nach 30 Minuten ein,
  - wenn Sie den Trockner einschalten, ohne ein Programm zu starten;
  - nachdem Ihr Trockenprogramm beendet ist.Drücken Sie die ON/OFF-Taste und halten Sie diese, bis der Trockner wieder aktiviert ist.



## Wärmepumpensystem

Dieser Trockner ist mit einem Wärmepumpensystem zum Trocknen Ihrer Wäsche ausgestattet. Diese Wärmepumpe nutzt ein vom Kyoto-Protokoll erfasstes Treibhausgas (Kühlmittel). Die F-Gase sind in einer hermetisch dichten Einheit enthalten. Diese dichte Einheit enthält 0,29 kg Gas R134a F, das als Kühlmittel dient.

Wird die Einheit beschädigt, muss sie gegen eine Neue ausgetauscht werden. Weitere Informationen erhalten Sie über den Ihnen am nächsten gelegenen Kundendienst.

**Hinweis:** Die in der dichten Einheit enthaltenen Gase sind ungefährlich für die Gesundheit, haben aber, sollten sie austreten, eine negative Auswirkung auf die Klimaerwärmung.

## Bevor Sie den Kundendienst anfordern:

- Ziehen Sie bitte die Tabelle Fehlersuche zu Rate, um zu sehen, ob es sich nicht um eine Kleinigkeit handelt, die Sie selbst beheben können (*siehe Fehlersuche*).
- Ist dies nicht der Fall, dann schalten Sie das Gerät ab und wenden Sie sich an das nächstgelegene Kundendienstzentrum.

## Informationen zu Recycling und Entsorgung

Im Rahmen unseres beständigen Einsatzes zum Umweltschutz verwenden wir recycelte Qualitätskomponenten, um die Kosten für den Kunden zu reduzieren und die Materialverschwendung auf ein Minimum zu reduzieren.

- Entsorgung der Verpackungsmaterialien: befolgen Sie die örtlichen Vorschriften, um das Recycling der Verpackung zu ermöglichen.
- Um die Unfallgefahr für Kinder zu reduzieren, die Gerätetür und den Stecker entfernen, anschließend das Stromkabel direkt am Gerät abschneiden. Entsorgen Sie diese Teile getrennt, um sicherzustellen, dass das Haushaltsgerät nicht mehr an eine Steckdose angeschlossen werden kann.

## Entsorgung



Die europäische Richtlinie 2012/19/EG über Elektro- und Elektronik-Altgeräte (WEEE) schreibt vor, dass Haushaltsgeräte nicht mit dem normalen Müll zu entsorgen sind. Altgeräte sind zwecks Optimierung der Rückgewinnungs- und Recyclingrate der Gerätematerialien einer gesonderten Sammelstelle zuzuführen, um Schäden für die Gesundheit und die Umwelt zu verhüten.

Dieser Trockner ist mit einer dichten Wärmepumpe ausgestattet. Das enthaltene Kühlmittel muss getrennt entsorgt werden. Abfallmüllersymbol, das sich auf allen Produkten befindet, weist darauf hin, dass eine getrennte Entsorgung vorgeschrieben ist. Für weitere Informationen hinsichtlich der ordnungsgemäßen Entsorgung von Haushaltsgeräten wenden Sie sich bitte an Ihren Händler oder an die zuständige kommunale Stelle.

## Geben Sie hierbei folgende Daten an:

- Name, Adresse und Postleitzahl;
- Telefonnummer;
- Art der Störung;
- das Kaufdatum;
- das Gerätemodell (Mod.);
- die Seriennummer (S/N) des Wäschetrockners.

Entnehmen Sie diese Daten bitte dem hinter der Gerätetür angebrachten Typenschild.

## Ersatzteile

Bei Ihrem Wäschetrockner handelt es sich um ein komplexes Gerät. Eigenhändig oder durch unqualifiziertes Personal durchgeführte Reparaturen kann die Sicherheit von Personen gefährden, das Gerät beschädigen und den Verlust sämtlicher Ansprüche auf Ersatzteilgarantie bewirken.

Wenden Sie sich demnach im Falle etwaiger Betriebsstörungen bitte stets an einen autorisierten Techniker. Die Ersatzteile wurden ausschließlich für dieses Elektrogerät hergestellt und eignen sich demnach nicht für andere Zwecke.



**Dieses Haushaltsgerät stimmt mit den folgenden EG-Richtlinien überein:**

- 2006/95/EG (Niederspannungsrichtlinie);
- 2004/108/EG (elektromagnetische Verträglichkeit).

**Indesit Company S.p.A.**

Viale Aristide Merloni, 47

60044 Fabriano (AN)