

Instructions for use

WASHING MACHINE

GB

GB

English, 1

FR

Français, 13

PL

Polski, 25

TR

Türkçe, 37

GR

Ελληνικά, 49

IWD 81252

Contents

Installation, 2-3

Unpacking and levelling
Connecting the electricity and water supplies
The first wash cycle
Technical data

Care and maintenance, 4

Cutting off the water or electricity supply
Cleaning the washing machine
Cleaning the detergent dispenser drawer
Caring for the door and drum of your appliance
Cleaning the pump
Checking the water inlet hose

Precautions and tips, 5

General safety
Disposal

Description of the washing machine and starting a wash cycle, 6-7

Control panel
Indicator lights
Starting a wash cycle

Wash cycles, 8

Table of wash cycles

Personalisation, 9

Setting the temperature
Setting the spin speed
Functions

Detergents and laundry, 10

Detergent dispenser drawer
Preparing the laundry
Garments requiring special care
Load balancing system

Troubleshooting, 11

Service, 12

Installation

GB

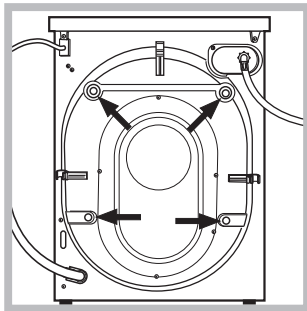
! This instruction manual should be kept in a safe place for future reference. If the washing machine is sold, transferred or moved, make sure that the instruction manual remains with the machine so that the new owner is able to familiarise himself/herself with its operation and features.

! Read these instructions carefully: they contain vital information relating to the safe installation and operation of the appliance.

Unpacking and levelling

Unpacking

1. Remove the washing machine from its packaging.
2. Make sure that the washing machine has not been damaged during the transportation process. If it has been damaged, contact the retailer and do not proceed any further with the installation process.



3. Remove the 4 protective screws (used during transportation) and the rubber washer with the corresponding spacer, located on the rear part of the appliance (see figure).

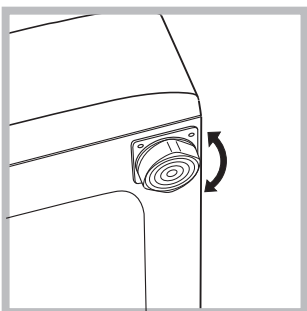
4. Close off the holes using the plastic plugs provided.

5. Keep all the parts in a safe place: you will need them again if the washing machine needs to be moved to another location.

! Packaging materials should not be used as toys for children.

Levelling

1. Install the washing machine on a flat sturdy floor, without resting it up against walls, furniture cabinets or anything else.

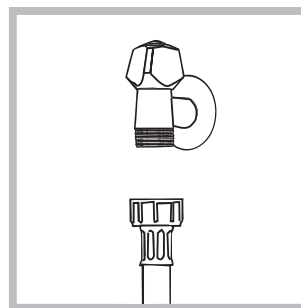


2. If the floor is not perfectly level, compensate for any unevenness by tightening or loosening the adjustable front feet (see figure); the angle of inclination, measured in relation to the worktop, must not exceed 2°.

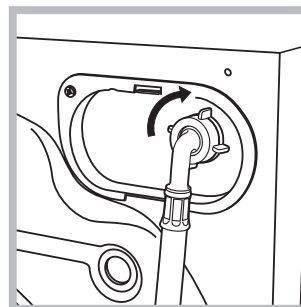
Levelling the machine correctly will provide it with stability, help to avoid vibrations and excessive noise and prevent it from shifting while it is operating. If it is placed on carpet or a rug, adjust the feet in such a way as to allow a sufficient ventilation space underneath the washing machine.

Connecting the electricity and water supplies

Connecting the water inlet hose



1. Connect the supply pipe by screwing it to a cold water tap using a $\frac{3}{4}$ gas threaded connection (see figure). Before performing the connection, allow the water to run freely until it is perfectly clear.



2. Connect the inlet hose to the washing machine by screwing it onto the corresponding water inlet of the appliance, which is situated on the top right-hand side of the rear part of the appliance (see figure).

3. Make sure that the hose is not folded over or bent.

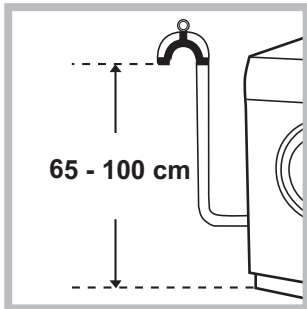
! The water pressure at the tap must fall within the values indicated in the Technical details table (see next page).

! If the inlet hose is not long enough, contact a specialised shop or an authorised technician.

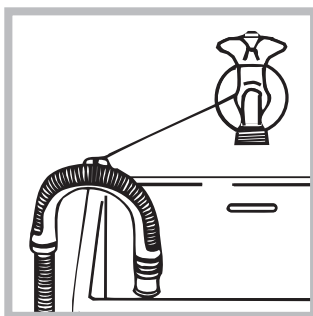
! Never use second-hand hoses.

! Use the ones supplied with the machine.

Connecting the drain hose



Connect the drain hose, without bending it, to a drainage duct or a wall drain located at a height between 65 and 100 cm from the floor;



alternatively, rest it on the side of a washbasin or bathtub, fastening the duct supplied to the tap (see *figure*). The free end of the hose should not be underwater.

! We advise against the use of hose extensions; if it is absolutely necessary, the extension must have the same diameter as the original hose and must not exceed 150 cm in length.

Electrical connections

Before plugging the appliance into the electricity socket, make sure that:

- the socket is earthed and complies with all applicable laws;
- the socket is able to withstand the maximum power load of the appliance as indicated in the Technical data table (see *opposite*);
- the power supply voltage falls within the values indicated in the Technical data table (see *opposite*);
- the socket is compatible with the plug of the washing machine. If this is not the case, replace the socket or the plug.

! The washing machine must not be installed outdoors, even in covered areas. It is extremely dangerous to leave the appliance exposed to rain, storms and other weather conditions.

! When the washing machine has been installed, the electricity socket must be within easy reach.

! Do not use extension cords or multiple sockets.



! The cable should not be bent or compressed.

! The power supply cable must only be replaced by authorised technicians.

Warning! The company shall not be held responsible in the event that these regulations are not respected.

The first wash cycle

Once the appliance has been installed, and before you use it for the first time, run a wash cycle with detergent and no laundry, using the wash cycle **2**.

Technical data	
Model	IWD 81252
Dimensions	width 59.5 cm height 85 cm depth 60 cm
Capacity	from 1 to 8 kg
Electrical connections	please refer to the technical data plate fixed to the machine
Water connection	maximum pressure 1 MPa (10 bar) minimum pressure 0.05 MPa (0.5 bar) drum capacity 62 litres
Spin speed	up to 1200 rotations per minute
Test wash cycles in accordance with directives 1061/2010 and 1015/2010	Programme 2: Cotton standard 60°C; Programme 3: Cotton standard 40°C.
 	This appliance conforms to the following EC Directives: <ul style="list-style-type: none"> - 2004/108/EC (Electromagnetic Compatibility) - 2012/19/EU - 2006/95/EC Low Voltage)

Care and maintenance

GB

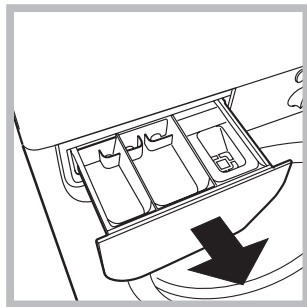
Cutting off the water and electricity supplies

- Turn off the water tap after every wash cycle. This will limit wear on the hydraulic system inside the washing machine and help to prevent leaks.
- Unplug the washing machine when cleaning it and during all maintenance work.

Cleaning the washing machine

The outer parts and rubber components of the appliance can be cleaned using a soft cloth soaked in lukewarm soapy water. Do not use solvents or abrasives.

Cleaning the detergent dispenser drawer



Remove the dispenser by raising it and pulling it out (see figure). Wash it under running water; this operation should be repeated frequently.

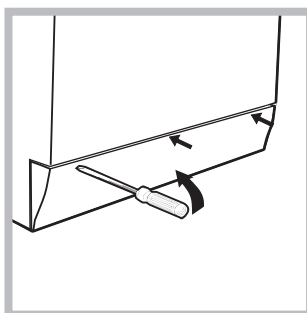
Caring for the door and drum of your appliance

- Always leave the porthole door ajar in order to prevent unpleasant odours from forming.

Cleaning the pump

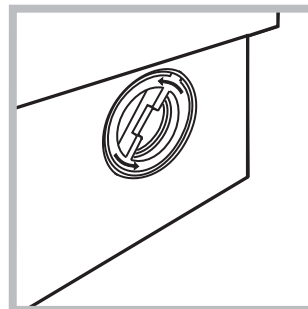
The washing machine is fitted with a self-cleaning pump which does not require any maintenance. Sometimes, small items (such as coins or buttons) may fall into the pre-chamber which protects the pump, situated in its bottom part.

- ! Make sure the wash cycle has finished and unplug the appliance.



To access the pre-chamber:

1. using a screwdriver, remove the cover panel on the lower front part of the washing machine (see figure);



2. unscrew the lid by rotating it anti-clockwise (see figure): a little water may trickle out. This is perfectly normal;

3. clean the inside thoroughly;
4. screw the lid back on;
5. reposition the panel, making sure the hooks are securely in place before you push it onto the appliance.

Checking the water inlet hose

Check the inlet hose at least once a year. If there are any cracks, it should be replaced immediately: during the wash cycles, water pressure is very strong and a cracked hose could easily split open.

- ! Never use second-hand hoses.

! This washing machine was designed and constructed in accordance with international safety regulations. The following information is provided for safety reasons and must therefore be read carefully.

Consumers should contact their local authority or retailer for information concerning the correct disposal of their old appliance.

GB

General safety

- This appliance was designed for domestic use only.
- This appliance can be used by children aged from 8 years and above and persons with reduced physical, sensory or mental capabilities or lack of experience and knowledge if they have been given supervision or instruction concerning use of the appliance in a safe way and understand the hazards involved. Children shall not play with the appliance. Cleaning and user maintenance shall not be made by children without supervision.
- Do not touch the machine when barefoot or with wet or damp hands or feet.
- Do not pull on the power supply cable when unplugging the appliance from the electricity socket. Hold the plug and pull.
- Do not open the detergent dispenser drawer while the machine is in operation.
- Do not touch the drained water as it may reach extremely high temperatures.
- Never force the porthole door. This could damage the safety lock mechanism designed to prevent accidental opening.
- If the appliance breaks down, do not under any circumstances access the internal mechanisms in an attempt to repair it yourself.
- Always keep children well away from the appliance while it is operating.
- The door can become quite hot during the wash cycle.
- If the appliance has to be moved, work in a group of two or three people and handle it with the utmost care. Never try to do this alone, because the appliance is very heavy.
- Before loading laundry into the washing machine, make sure the drum is empty.

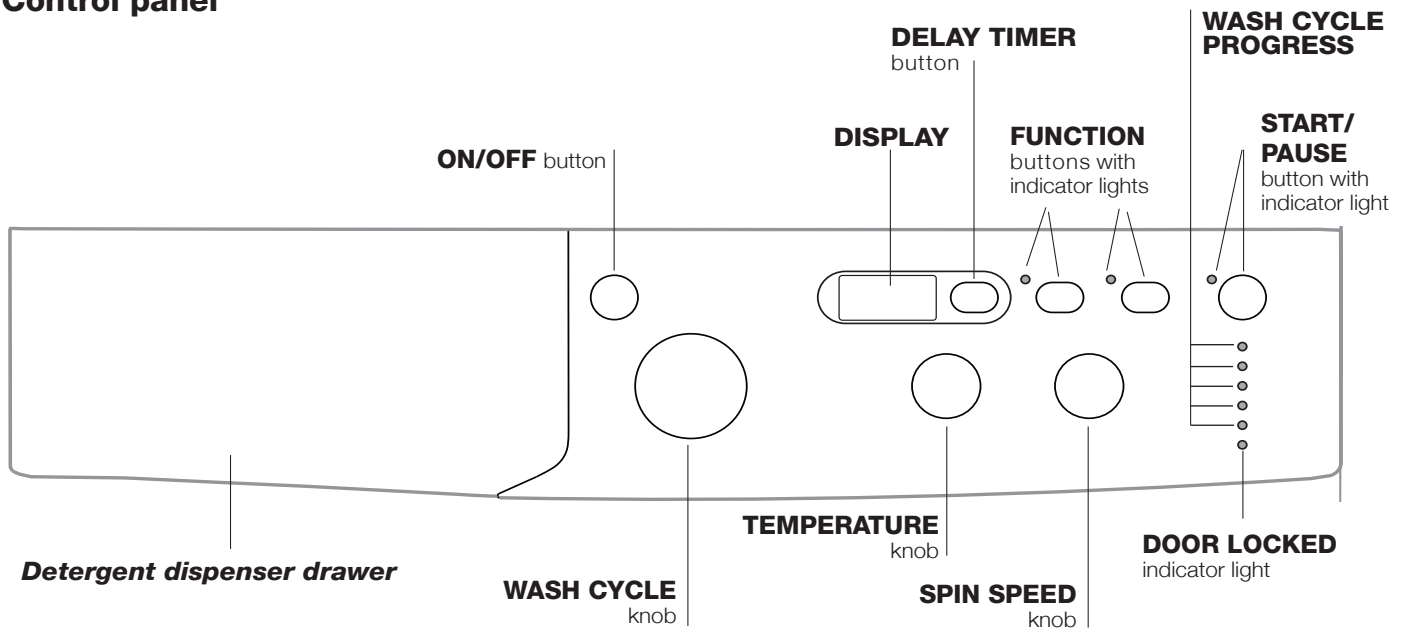
Disposal

- Disposing of the packaging materials: observe local regulations so that the packaging may be re-used.
- The European Directive 2012/19/EU on Waste Electrical and Electronic Equipment, requires that old household electrical appliances must not be disposed of in the normal unsorted municipal waste stream. Old appliances must be collected separately in order to optimise the recovery and recycling of the materials they contain and reduce the impact on human health and the environment. The crossed out “wheeled bin” symbol on the product reminds you of your obligation, that when you dispose of the appliance it must be separately collected.

Description of the washing machine and starting a wash cycle

GB

Control panel



Detergent dispenser drawer: used to dispense detergents and washing additives (see “Detergents and laundry”).

ON/OFF button: switches the washing machine on and off.

WASH CYCLE knob: programmes the wash cycles. During the wash cycle, the knob does not move.

FUNCTION buttons with indicator light: used to select the available functions. The indicator light corresponding to the selected function will remain lit.

TEMPERATURE knob: sets the temperature or the cold wash cycle (see “Personalisation”).

SPIN SPEED knob: sets the spin speed or exclude the spin cycle completely (see “Personalisation”).


DISPLAY: used to view the duration of the various cycles available and the remaining time of a cycle in progress; if the DELAY TIMER option has been selected, the countdown to the start of the selected cycle will appear.

DELAY TMER button : press to set a delayed start time for the selected wash cycle. The delay time will be shown on the display.

WASH CYCLE PROGRESS indicator lights: used to monitor the progress of the wash cycle. The illuminated indicator light shows which phase is in progress.

DOOR LOCKED indicator light: indicates whether the door may be opened or not (see next page).

START/PAUSE button with indicator light: starts or temporarily interrupts the wash cycles.

N.B. To pause the wash cycle in progress, press this button; the corresponding indicator light will flash orange, while the indicator light for the current wash cycle phase will remain lit in a fixed manner. If the DOOR LOCKED  indicator light is switched off, the door may be opened (wait approximately 3 minutes). To start the wash cycle from the point at which it was interrupted, press this button again.

Standby mode






This washing machine, in compliance with new energy saving regulations, is fitted with an automatic standby system which is enabled after about 30 minutes if no activity is detected. Press the ON-OFF button briefly and wait for the machine to start up again.

Indicator lights

The indicator lights provide important information. This is what they can tell you:

Wash cycle phase indicator lights

Once the desired wash cycle has been selected and has begun, the indicator lights switch on one by one to indicate which phase of the cycle is currently in progress.

Wash	
Rinse	
Spin	
Drain	
End of wash cycle	

Function buttons and corresponding indicator lights

When a function is selected, the corresponding indicator light will illuminate.


If the selected function is not compatible with the programmed wash cycle, the corresponding indicator light will flash and the function will not be activated.

If the selected function is not compatible with another function which has been selected previously, the indicator light corresponding to the first function selected will flash and only the second function will be activated; the indicator light corresponding to the enabled option will remain lit.

Starting a wash cycle

1. Switch the washing machine on by pressing the ON/OFF button. All indicator lights will switch on for a few seconds, then they will switch off and the START/PAUSE indicator light will pulse.
2. Load the laundry and close the door.
3. Set the WASH CYCLE knob to the desired programme.
4. Set the washing temperature (see "Personalisation").
5. Set the spin speed (see "Personalisation").
6. Measure out the detergent and washing additives (see "Detergents and laundry").
7. Select the desired functions.
8. Start the wash cycle by pressing the START/PAUSE button and the corresponding indicator light will remain lit in a fixed manner, in green.

To cancel the set wash cycle, pause the machine by pressing the START/PAUSE button and select a new cycle.

9. At the end of the wash cycle the **END** indicator light will switch on. The door can be opened once the DOOR LOCK  indicator light turns off (wait approximately 3 minutes). Take out your laundry and leave the appliance door ajar to make sure the drum dries completely. Switch the washing machine off by pressing the ON/OFF button.



Door locked indicator light

When the indicator light is on, the porthole door is locked to prevent it from being opened; make sure the indicator light is off before opening the door (wait approximately 3 minutes). To open the door during a running wash cycle, press the START/PAUSE button; the door may be opened once the DOOR LOCKED indicator light turns off.

Wash cycles

GB

Table of wash cycles

Wash cycles	Description of the wash cycle	Max. temp. (°C)	Max. speed (rpm)	Detergents			Max. load (kg)	Residual dampness %	Energy consumption kWh	Total water lt	Cycle duration
				Pre-wash	Wash	Fabric softener					
Daily											
1	Cotton with prewash: extremely soiled whites.	90°	1200	●	●	●	8	53	2,86	98	195'
2	Cotton Standard 60° (1): heavily soiled whites and resistant colours.	60° (Max. 90°)	1200	-	●	●	8	53	1,23	55,0	195'
3	Cotton Standard 40° (2): lightly soiled whites and delicate colours.	40°	1200	-	●	●	8	53	1,01	84	180'
4	Synthetics: heavily soiled resistant colours.	60°	800	-	●	●	4,5	46	1,03	60	115'
4	Synthetics (3): lightly soiled resistant colours.	40°	800	-	●	●	4,5	46	0,56	60	100'
5	Mix Colored: lightly soiled whites and delicate colours.	40°	1200	-	●	●	8	53	0,83	63	100'
20° Zone											
6	Cotton Standard 20°: lightly soiled whites and delicate colours.	20°	1200	-	●	●	8	-	-	-	175'
7	Mix Light	20°	800	-	●	●	8	-	-	-	120'
8	20' Refresh	20°	800	-	●	●	1,5	-	-	-	20'
Special											
9	Silk/Curtains: for garments in silk and viscose, lingerie.	30°	0	-	●	●	2	-	-	-	65'
10	Wool: for wool, cashmere, etc.	40°	800	-	●	●	2	-	-	-	85'
11	Jeans	40°	800	-	●	●	4	-	-	-	80'
Sport											
12	Sport Intensive	30°	600	-	●	●	4	-	-	-	85'
13	Sport Light	30°	600	-	●	●	4	-	-	-	60'
14	Sport Shoes	30°	600	-	●	●	Max. 2 Pairs	-	-	-	60'
Partial wash cycles											
	Rinse	-	1200	-	-	●	8	-	-	-	36'
	Spin + Drain	-	1200	-	-	-	8	-	-	-	16'

The length of cycle shown on the display or in this booklet is an estimation only and is calculated assuming standard working conditions. The actual duration can vary according to factors such as water temperature and pressure, the amount of detergent used, the amount and type of load inserted, load balancing and any wash options selected.

1) Test wash cycle in compliance with directive 1061/2010: set wash cycle 2 with a temperature of 60°C.

This cycle is designed for cotton loads with a normal soil level and is the most efficient in terms of both electricity and water consumption; it should be used for garments which can be washed at 60°C. The actual washing temperature may differ from the indicated value.

2) Test wash cycle in compliance with directive 1061/2010: set wash cycle 3 with a temperature of 40°C.

This cycle is designed for cotton loads with a normal soil level and is the most efficient in terms of both electricity and water consumption; it should be used for garments which can be washed at 40°C. The actual washing temperature may differ from the indicated value.

For all Test Institutes:

2) Long wash cycle for cottons: set wash cycle 3 with a temperature of 40°C.

3) Synthetic program along: set wash cycle 4 with a temperature of 40°C.

Sport Intensive (wash cycle 12) is for washing heavily soiled sports clothing fabrics (tracksuits, shorts, etc.); for best results, we recommend not exceeding the maximum load indicated in the "Table of wash cycles".

Sport Light (wash cycle 13) is for washing lightly soiled sports clothing fabrics (tracksuits, shorts, etc.); for best results, we recommend not exceeding the maximum load indicated in the "Table of wash cycles". We recommend using a liquid detergent and dosage suitable for a half-load.

Sport Shoes (wash cycle 14) is for washing sports shoes; for best results, do not wash more than 2 pairs simultaneously.

The 20° wash cycles (20° Zone) offer effective washing performance at low temperatures, reducing electricity usage and expenditure while benefitting the environment. The 20° wash cycles meet all requirements:

Cotton Standard 20° (programme 6) ideal for lightly soiled cotton loads. The effective performance levels achieved at cold temperatures, which are comparable to washing at 40°, are guaranteed by a mechanical action which operates at varying speed, with repeated and frequent peaks.

Mix Light (programme 7) ideal for mixed loads (cotton and synthetics) with a normal soil level. The effective performance levels achieved at cold temperatures are guaranteed by a mechanical action which operates at varying speed, across set average intervals.

20' Refresh (programme 8) ideal for refreshing and washing lightly soiled garments in a few minutes. It lasts just 20 minutes and therefore saves both time and energy. It can be used to wash different types of fabrics together (except for wool and silk), with a maximum load of 1.5 kg.

Setting the temperature

Turn the TEMPERATURE knob to set the wash temperature (see *Table of wash cycles*).

The temperature may be lowered, or even set to a cold wash .

The washing machine will automatically prevent you from selecting a temperature which is higher than the maximum value set for each wash cycle.


! Exception: if the **2** programme is selected, the temperature can be increased up to a value of 90°C.

Setting the spin speed

Turn the SPIN SPEED knob to set the spin speed for the selected wash cycle.

The maximum spin speeds available for each wash cycle are as follows:

Wash cycles	Maximum spin speed
Cottons	1200 rpm
Synthetics	800 rpm
Wool	800 rpm
Silk	drain only

The spin speed may be lowered, or the spin cycle can be excluded altogether by selecting the symbol .

The washing machine will automatically prevent you from selecting a spin speed which is higher than the maximum speed set for each wash cycle.

Functions

The various wash functions available with this washing machine will help to achieve the desired results, every time.


To activate the functions:

1. Press the button corresponding to the desired function;
2. the function is enabled when the corresponding indicator light is illuminated.

Note:

- If the selected function is not compatible with the programmed wash cycle, the corresponding indicator light will flash and the function will not be activated.
- If the selected function is not compatible with another function which has been selected previously, the indicator light corresponding to the first function selected will flash and only the second function will be activated; the indicator light corresponding to the enabled option will remain lit.


Delay timer

To set a delayed start for the selected programme, press the corresponding button repeatedly until the required delay period has been reached. When this option is enabled, the  symbol lights up on the display. To remove the delayed start option press the button until the text "OFF" appears on the display.

EcoTime

Selecting this option enables you to suitably adjust drum rotation, temperature and water to a reduced load of lightly soiled cotton and synthetic fabrics (refer to the "*Table of wash cycles*"). "EcoTime" enables you to wash in less time thereby saving water and electricity. We suggest using a liquid detergent suitably measured out to the load quantity.

Energy Saver

The  Energy Saver function saves energy by not heating the water used to wash your laundry - an advantage both to the environment and to your energy bill. Instead, intensified wash action and water optimisation ensure great wash results in the same average time of a standard cycle.

For the best washing results we recommend the usage of a liquid detergent.

Detergents and laundry

GB

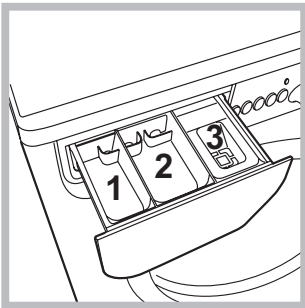
Detergent dispenser drawer

Good washing results also depend on the correct dose of detergent: adding too much detergent will not necessarily result in a more efficient wash, and may in fact cause build up on the inside of your appliance and contribute to environmental pollution.

! Do not use hand washing detergents because these create too much foam.

! Use powder detergent for white cotton garments, for pre-washing, and for washing at temperatures over 60°C.

! Follow the instructions given on the detergent packaging.



Open the detergent dispenser drawer and pour in the detergent or washing additive, as follows.

compartment 1: Compartment 1: Pre-wash detergent (powder)

compartment 2: Detergent for the wash cycle (powder or liquid)

Liquid detergent should only be poured in immediately prior to the start of the wash cycle.

compartment 3: Additives (fabric softeners, etc.)

The fabric softener should not overflow the grid.

Preparing the laundry

- Divide the laundry according to:
 - the type of fabric/the symbol on the label
 - the colours: separate coloured garments from whites.
- Empty all garment pockets and check the buttons.
- Do not exceed the values listed in the "Table of wash cycles", which refer to the weight of the laundry when dry.


How much does your laundry weigh?

- 1 sheet 400-500 g
- 1 pillow case 150-200 g
- 1 tablecloth 400-500 g
- 1 bathrobe 900-1200 g
- 1 towel 150-250 g

Garments requiring special care

Silk: use special wash cycle **9** to wash all silk garments. We recommend the use of special detergent which has been designed to wash delicate clothes.

Curtains: fold curtains and place them in a pillow case or mesh bag. Use wash cycle **9**.

Wool: all wool garments can be washed using programme **10**, even those carrying the "hand-wash only"  label. For best results, use special detergents and do not exceed 2 kg of laundry.

Jeans: Turn garments inside-out before washing and use a liquid detergent. Use programme **11**.

Load balancing system

Before every spin cycle, to avoid excessive vibrations and to distribute the load in a uniform manner, the drum rotates continuously at a speed which is slightly greater than the washing rotation speed. If, after several attempts, the load is not balanced correctly, the machine spins at a reduced spin speed. If the load is excessively unbalanced, the washing machine performs the distribution process instead of spinning. To encourage improved load distribution and balance, we recommend small and large garments are mixed in the load.

Your washing machine could fail to work. Before contacting the Technical Assistance Centre (see “Assistance”), make sure that the problem cannot be not solved easily using the following list.

Problem:

Possible causes / Solutions:

The washing machine does not switch on.

- The appliance is not plugged into the socket fully, or is not making contact.
- There is no power in the house.

The wash cycle does not start.

- The washing machine door is not closed properly.
- The ON/OFF button has not been pressed.
- The START/PAUSE button has not been pressed.
- The water tap has not been opened.
- A delayed start has been set (see “Personalisation”).

The washing machine does not take in water (“H2O” will flash on the display).

- The water inlet hose is not connected to the tap.
- The hose is bent.
- The water tap has not been opened.
- There is no water supply in the house.
- The pressure is too low.
- The START/PAUSE button has not been pressed.

The washing machine continuously takes in and drains water.

- The drain hose is not fitted at a height between 65 and 100 cm from the floor (see “Installation”).
- The free end of the hose is under water (see “Installation”).
- The wall drainage system is not fitted with a breather pipe.

If the problem persists even after these checks, turn off the water tap, switch the appliance off and contact the Assistance Service. If the dwelling is on one of the upper floors of a building, there may be problems relating to water drainage, causing the washing machine to fill with water and drain continuously. Special anti-draining valves are available in shops and help to avoid this inconvenience.

The washing machine does not drain or spin.

- The wash cycle does not include draining: some wash cycles require the drain phase to be started manually.
- The drain hose is bent (see “Installation”).
- The drainage duct is clogged.

The washing machine vibrates a lot during the spin cycle.

- The drum was not unlocked correctly during installation (see “Installation”).
- The washing machine is not level (see “Installation”).
- The washing machine is trapped between cabinets and walls (see “Installation”).

The washing machine leaks.

- The water inlet hose is not screwed on properly (see “Installation”).
- The detergent dispenser drawer is blocked (for cleaning instructions, see “Care and maintenance”).
- The drain hose is not fixed properly (see “Installation”).

The “function” indicator lights and the “start/pause” indicator light flash, while one of the “phase in progress” indicator lights and the “door locked” indicator light will remain lit in a fixed manner.

- Switch off the machine and unplug it, wait for approximately 1 minute and then switch it back on again.
If the problem persists, contact the Technical Assistance Service.

There is too much foam.

- The detergent is not suitable for machine washing (it should display the text “for washing machines” or “hand and machine wash”, or the like).
- Too much detergent was used.

Service

GB

Before calling for Assistance:

- Check whether you can solve the problem alone (see "Troubleshooting");
- Restart the programme to check whether the problem has been solved;
- If this is not the case, contact an authorised Technical Assistance Centre using the telephone number provided on the guarantee certificate.

! Always request the assistance of authorised technicians.

Have the following information to hand:

- the type of problem;
- the appliance model (Mod.);
- the serial number (S/N).

This information can be found on the data plate applied to the rear of the washing machine, and can also be found on the front of the appliance by opening the door.

COMMISSION DELEGATED REGULATION (EU) No 1061/2010

Brand	INDESIT
Model	IWD 81252 C ECO EU
Rated capacity in kg of cotton	8.0
Energy efficiency class on a scale from A+++ (low consumption) to G (high consumption)	A++
Energy consumption per year in kWh ¹⁾	222.0
Energy consumption of the standard 60 °C cotton programme at full load in kWh ²⁾	1.232
Energy consumption of the standard 60 °C cotton programme at partial load in kWh ²⁾	0.808
Energy consumption of the standard 40 °C cotton programme at partial load in kWh ²⁾	0.735
Power consumption of the off-mode in W	0.5
Power consumption of the left-on mode in W	8.0
Water consumption per year in litres ³⁾	11374
Spin-drying efficacy class on a scale from G (minimum efficacy) to A (maximum efficacy)	B
Maximum spin speed attained ⁴⁾	1200
Remaining moisture content ⁵⁾	53%
Programme time of the "standard 60 °C cotton" at full load in minutes	195
Programme time of the "standard 60 °C cotton" at partial load in minutes	165
Programme time of the "standard 40°C cotton" at partial load in minutes	160
Duration of the left-on mode in minutes	30
Noise in dB(A) re 1 pW washing ⁶⁾	61
Noise in dB(A) re 1 pW spinning ⁶⁾	77
Built-in model	

¹⁾ The "standard 60°C cotton" at full and partial load and the "standard 40°C cotton" at partial load are the standard washing programmes to which the information in the label and the fiche relates. Standard 60°C cotton and standard 40°C cotton are suitable to clean normally soiled cotton laundry and are the most efficient programmes in terms of combined energy and water consumption. Partial load is half the rated load.

²⁾ Based on 220 standard washing cycles for cotton programmes at 60°C and 40°C at full and partial load, and the consumption of the low-power modes. Actual energy consumption will depend on how the appliance is used.

³⁾ Based on 220 standard washing cycles for cotton programmes at 60°C and 40°C at full and partial load. Actual water consumption will depend on how the appliance is used.

⁴⁾ For the standard 60 °C at full and partial load or the 40°C at partial whichever is lower.

⁵⁾ Attained for 60 °C cotton at full and partial load or the 40°C at partial whichever is higher.

⁶⁾ Based on washing and spinning phases for the standard 60°C cotton programme at full load.

FR

Français

IWD 81252

Sommaire

Installation, 14-15

Déballage et mise à niveau
Raccordements eau et électricité
Premier cycle de lavage
Caractéristiques techniques

Entretien et soin, 16

Coupure de l'arrivée d'eau et du courant
Nettoyage du lave-linge
Nettoyage du tiroir à produits lessiviels.
Entretien du hublot et du tambour
Nettoyage de la pompe
Contrôle du tuyau d'arrivée de l'eau

Précautions et conseils, 17

Sécurité générale
Mise au rebut

Description du lave-linge et démarrage d'un programme, 18-19

Bandeau de commandes
Voyants
Démarrage d'un programme

Programmes, 20

Tableau des programmes

Personnalisations, 21

Sélection de la température
Sélection de l'essorage
Fonctions

Produits lessiviels et linge, 22

Tiroir à produits lessiviels
Triage du linge
Linge ou vêtements particuliers
Système d'équilibrage de la charge

Anomalies et remèdes, 23

Assistance, 24

Installation

FR

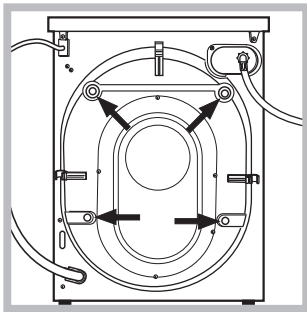
! Conserver ce mode d'emploi pour pouvoir le consulter à tout moment. En cas de vente, de cession ou de déménagement, veiller à ce qu'il suive toujours le lave-linge pour que son nouveau propriétaire soit informé sur son mode de fonctionnement et puisse profiter des conseils correspondants.

! Lire attentivement les instructions: elles fournissent des conseils importants sur l'installation, l'utilisation et la sécurité de l'appareil.

Déballage et mise à niveau

Déballage

1. Déballer le lave-linge.
2. Contrôler que le lave-linge n'a pas été endommagé pendant le transport. S'il est abîmé, ne pas le raccorder et contacter le vendeur.



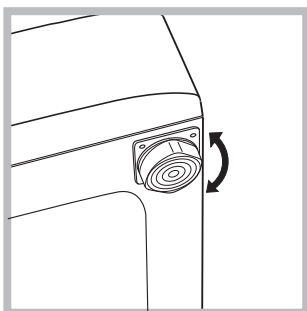
3. Enlever les 4 vis de protection servant au transport, le caoutchouc et la cale, placés dans la partie arrière (voir figure).

4. Boucher les trous à l'aide des bouchons plastique fournis.
5. Conserver toutes ces pièces: il faudra les remonter en cas de transport du lave-linge.

! Les pièces d'emballage ne sont pas des jouets pour enfants.

Mise à niveau

1. Installer le lave-linge sur un sol plat et rigide, sans l'appuyer contre des murs, des meubles ou autre.

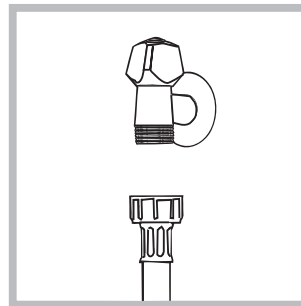


2. Si le sol n'est pas parfaitement horizontal, visser ou dévisser les pieds de réglage avant (voir figure) pour niveler l'appareil; son angle d'inclinaison, mesuré sur le plan de travail, ne doit pas dépasser 2°.

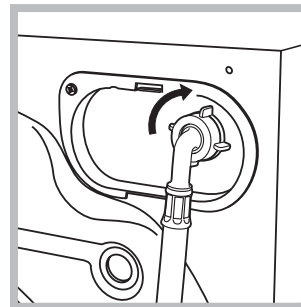
Une bonne mise à niveau garantit la stabilité de l'appareil et évite qu'il y ait des vibrations, du bruit et des déplacements en cours de fonctionnement. Si la machine est posée sur de la moquette ou un tapis, régler les pieds de manière à ce qu'il y ait suffisamment d'espace pour assurer une bonne ventilation.

Raccordements eau et électricité

Raccordement du tuyau d'arrivée de l'eau



1. Reliez le tuyau d'alimentation en le vissant à un robinet d'eau froide à embout fileté 3/4 gaz (voir figure). Faire couler l'eau jusqu'à ce qu'elle soit limpide et sans impuretés avant de raccorder.



2. Raccorder le tuyau d'arrivée de l'eau au lave-linge en le vissant à la prise d'eau prévue, dans la partie arrière en haut à droite (voir figure).

3. Attention à ce que le tuyau ne soit pas plié ou écrasé.

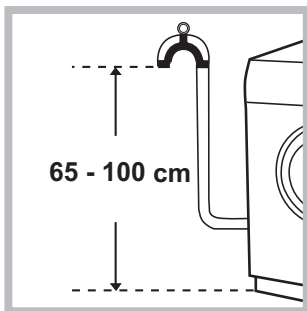
! La pression de l'eau doit être comprise entre les valeurs indiquées dans le tableau des Caractéristiques techniques (voir page ci-contre).

! Si la longueur du tuyau d'alimentation ne suffit pas, s'adresser à un magasin spécialisé ou à un technicien agréé.

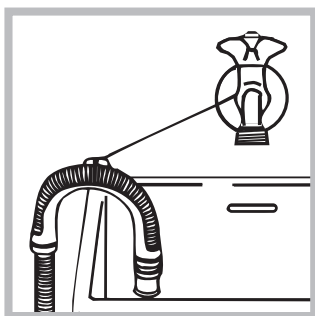
! N'utiliser que des tuyaux neufs.

! Utiliser ceux qui sont fournis avec l'appareil.

Raccordement du tuyau de vidange



Raccorder le tuyau d'évacuation, sans le plier, à un conduit d'évacuation ou à une évacuation murale placés à une distance du sol comprise entre 65 et 100 cm;



ou bien l'accrocher à un évier ou à une baignoire, dans ce cas, fixer le support en plastique fourni avec l'appareil au robinet (voir figure). L'extrémité libre du tuyau d'évacuation ne doit pas être plongée dans l'eau.

! L'utilisation d'un tuyau de rallonge est absolument déconseillée mais si on ne peut faire autrement, il faut absolument qu'il ait le même diamètre que le tuyau original et sa longueur ne doit pas dépasser 150 cm.

Branchement électrique

Avant de brancher la fiche dans la prise de courant, s'assurer que:

- la prise est bien reliée à la terre et est conforme aux réglementations en vigueur;
- la prise est bien apte à supporter la puissance maximale de l'appareil indiquée dans le tableau des Caractéristiques techniques (voir ci-contre);
- la tension d'alimentation est bien comprise entre les valeurs figurant dans le tableau des Caractéristiques techniques (voir ci-contre);
- la prise est bien compatible avec la fiche du lave-linge. Autrement, remplacer la prise ou la fiche.

! Le lave-linge ne doit pas être installé dehors, même à l'abri, car il est très dangereux de le laisser exposé à la pluie et aux orages.

! Après installation du lave-linge, la prise de courant doit être facilement accessible.

! N'utiliser ni rallonges ni prises multiples.

! Le câble ne doit être ni plié ni trop écrasé.

! Le câble d'alimentation ne doit être remplacé que par des techniciens agréés.

Attention! Nous déclinons toute responsabilité en cas de non-respect des normes énumérées ci-dessus.

Premier cycle de lavage

Avant la première mise en service de l'appareil, effectuer un cycle de lavage avec un produit lessiviel mais sans linge et sélectionner le programme 2.

Caractéristiques techniques

Modèle	IWD 81252
Dimensions	largeur 59,5 cm hauteur 85 cm profondeur 60 cm
Capacité	de 1 à 8 kg
Raccordements électriques	Voir la plaque signalétique appliquée sur la machine
Raccorde-ments hydrauliques	pression maximale 1 MPa (10 bar) pression minimale 0,05 MPa (0,5 bar) capacité du tambour 62 litres
Vitesse d'essorage	jusqu'à 1200 tours minute
Programmes de contrôle selon les directives 1061/2010 et 1015/2010	programme 2; programme coton standard à 60°C. programme 3; programme coton standard à 40°C.
 	Cet appareil est conforme aux Directives Communautaires suivantes: - 2004/108/CE (Compatibilité électromagnétique) - 2012/19/EU - 2006/95/CE (Basse Tension)

Entretien et soin

FR

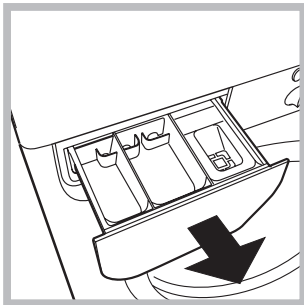
Coupure de l'arrivée d'eau et du courant

- Fermer le robinet de l'eau après chaque lavage. Cela réduit l'usure de l'installation hydraulique du lave-linge et évite tout danger de fuites.
- Débrancher la fiche de la prise de courant lors de tout nettoyage du lave-linge et pendant tous les travaux d'entretien.

Nettoyage du lave-linge

Pour nettoyer l'extérieur et les parties en caoutchouc, utiliser un chiffon imbibé d'eau tiède et de savon. N'utiliser ni solvants ni abrasifs.

Nettoyage du tiroir à produits lessiviels.



Soulever le tiroir et le tirer vers soi pour le sortir de son logement (voir figure). Le laver à l'eau courante; effectuer cette opération assez souvent.

Entretien du hublot et du tambour

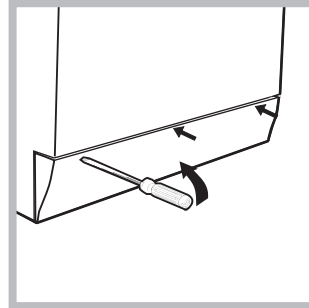
- Il faut toujours laisser le hublot entrouvert pour éviter la formation de mauvaises odeurs.

Nettoyage de la pompe

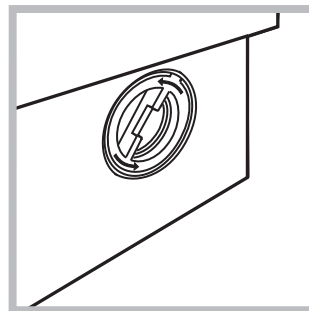
Le lave-linge est équipé d'une pompe autonettoyante qui n'exige aucune opération d'entretien. Il peut toutefois arriver que de menus objets (pièces de monnaie, boutons) tombent dans la préchambre qui protège la pompe, placée en bas de cette dernière.

! S'assurer que le cycle de lavage est bien terminé et débrancher la fiche.

Pour accéder à cette préchambre:



1. démonter le panneau situé à l'avant du lave-linge à l'aide d'un tournevis (voir figure);



2. dévisser le couvercle en le tournant dans le sens inverse des aiguilles d'une montre (voir figure); il est normal qu'un peu d'eau s'écoule;

3. nettoyer soigneusement l'intérieur;
4. revisser le couvercle;
5. remonter le panneau en veillant à bien enfiler les crochets dans les fentes prévues avant de le pousser contre l'appareil.

Contrôle du tuyau d'arrivée de l'eau

Contrôler le tuyau d'alimentation au moins une fois par an. Procéder à son remplacement en cas de craquements et de fissures; car les fortes pressions subies pendant le lavage pourraient provoquer des cassures.

! N'utiliser que des tuyaux neufs.

! Ce lave-linge a été conçu et fabriqué conformément aux normes internationales de sécurité. Ces consignes sont fournies pour des raisons de sécurité, il faut les lire attentivement.

Les consommateurs devront contacter les autorités locales ou leur revendeur concernant la démarche à suivre pour l'enlèvement de leur vieil appareil.

FR

Sécurité générale

- Cet appareil est conçu pour un usage domestique.
- Cet appareil peut être utilisé par les enfants à partir de 8 ans et par les personnes dont les capacités physiques, sensorielles ou mentales sont réduites ou qui ne disposent pas des connaissances suffisantes, à condition qu'ils soient encadrés ou aient été formés de façon appropriée pour l'utilisation de l'appareil de façon sûre et en comprenant les dangers qui y sont liés. Les enfants ne doivent pas jouer avec l'appareil. L'entretien et le nettoyage ne doivent pas être effectués par les enfants sans surveillance.
- Ne jamais toucher l'appareil si l'on est pieds nus et si les mains sont mouillées ou humides.
- Ne jamais tirer sur le câble pour débrancher la fiche de la prise de courant.
- Ne pas ouvrir le tiroir à produits lessiviels si la machine est branchée.
- Ne pas toucher à l'eau de vidange, elle peut atteindre des températures très élevées.
- Ne pas forcer pour ouvrir le hublot: le verrouillage de sécurité qui protège contre les ouvertures accidentelles pourrait s'endommager.
- En cas de panne, éviter à tout prix d'accéder aux mécanismes internes pour tenter une réparation.
- Veiller à ce que les enfants ne s'approchent pas de l'appareil pendant son fonctionnement.
- Pendant le lavage, le hublot a tendance à se réchauffer.
- Deux ou trois personnes sont nécessaires pour déplacer l'appareil avec toutes les précautions nécessaires. Ne jamais le déplacer tout seul car il est très lourd.
- Avant d'introduire le linge, s'assurer que le tambour est bien vide.

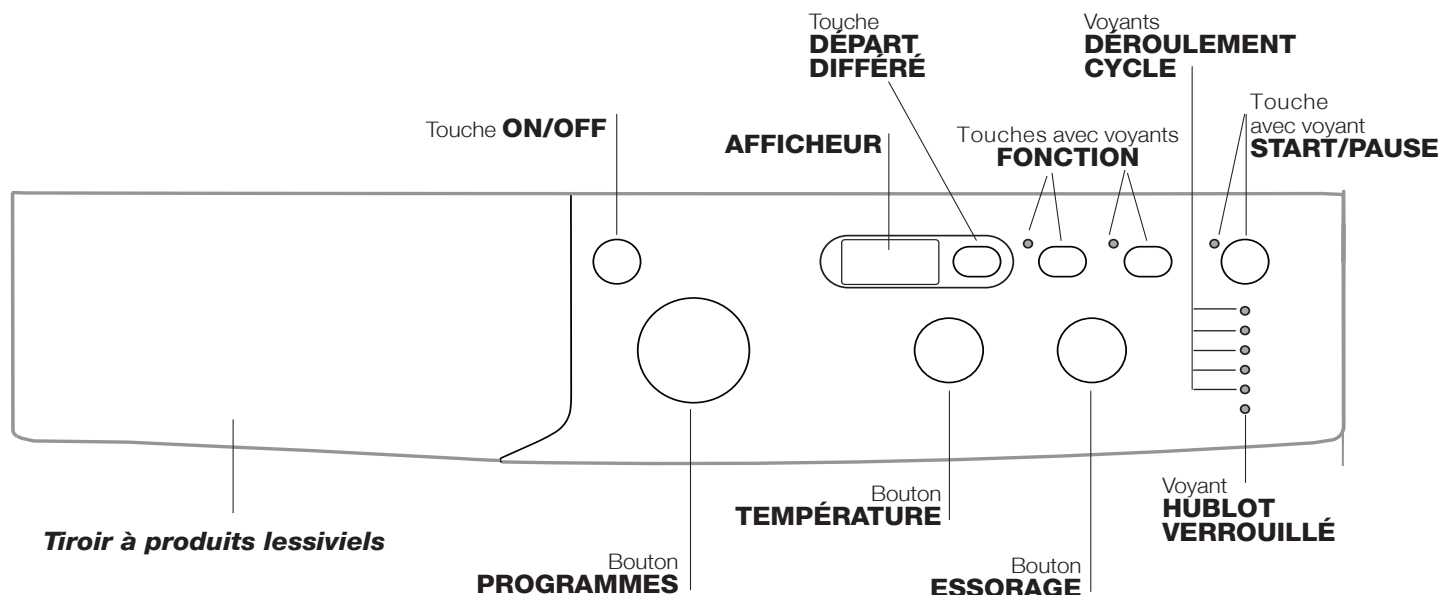
Mise au rebut

- Mise au rebut du matériel d'emballage: se conformer aux réglementations locales de manière à ce que les emballages puissent être recyclés.
- La Directive Européenne 2012/19/EU sur les Déchets des Equipements Electriques et Electroniques, exige que les appareils ménagers usagés ne soient pas jetés dans le flux normal des déchets municipaux. Les appareils usagés doivent être collectés séparément afin d'optimiser le taux de récupération et le recyclage des matériaux qui les composent et réduire l'impact sur la santé humaine et l'environnement. Le symbole de la "poubelle barrée" est apposée sur tous les produits pour rappeler les obligations de collecte séparée.

Description du lave-linge et démarrage d'un programme

FR

Bandeau de commandes



Tiroir à produits lessiviels: pour charger les produits lessiviels et les additifs (voir "Produits lessiviels et linge").

Touche **ON/OFF:** pour allumer ou éteindre le lave-linge.


Bouton **PROGRAMMES:** pour sélectionner les programmes. Pendant le programme, le bouton ne tournera pas.

Touches avec voyants **FONCTION:** pour sélectionner les fonctions disponibles. Le voyant correspondant à la fonction sélectionnée restera allumé.

Bouton **TEMPÉRATURE:** pour sélectionner la température ou un lavage à froid (voir "Personnalisations").

Bouton **ESSORAGE:** pour sélectionner l'essorage ou le supprimer (voir "Personnalisations").


AFFICHEUR: pour afficher la durée des différents programmes disponibles et, une fois le cycle lancé, le temps restant jusqu'à la fin du programme. Si un DÉPART DIFFÉRÉ a été sélectionné, le temps restant avant le démarrage du programme sélectionné est affiché.

Touche **DÉPART DIFFÉRÉ** : appuyer sur cette touche pour sélectionner un départ différé pour le programme choisi. Le retard est affiché à l'écran.

Voyants **DÉROULEMENT CYCLE:** pour suivre le stade d'avancement du programme de lavage. Le voyant allumé indique la phase de lavage en cours.

Voyant **HUBLOT VERROUILLÉ:** indique si la porte est verrouillée (voir page ci-contre).

Touche avec voyant **START/PAUSE:** pour démarrer les programmes ou les interrompre momentanément.

N.B.: pour effectuer une pause du lavage en cours, appuyer sur cette touche, le voyant correspondant se mettra à clignoter en orange tandis que celui de la phase en cours restera allumé fixe. Si le voyant HUBLOT VERROUILLÉ  est éteint, on peut ouvrir la porte (3 minutes environ). Pour faire redémarrer le lavage exactement de l'endroit où il a été interrompu, appuyer une nouvelle fois sur la touche.

Stand-by






Ce lave-linge, conformément aux nouvelles normes en vigueur dans le domaine de l'économie d'énergie, est équipée d'un système d'extinction automatique (veille) activé après 30 minutes environ d'inutilisation. Appuyez brièvement sur la touche ON/OFF et attendre que la machine soit réactivée.

Voyants

Les voyants fournissent des informations importantes. Voilà ce qu'ils signalent:

Voyants phase en cours

Une fois que le cycle de lavage sélectionné a démarré, les voyants s'allument progressivement pour indiquer son stade d'avancement:

Lavage	
Rinçage	
Essorage	
Vidange	
Fin de Lavage	

Touches fonction et voyants correspondants

La sélection d'une fonction entraîne l'allumage du voyant correspondant.


Si la fonction sélectionnée est incompatible avec le programme sélectionné, le voyant correspondant se met à clignoter et la fonction n'est pas activée.

Si l' fonction sélectionnée est incompatible avec une autre fonction précédemment sélectionnée, le voyant correspondant à la première fonction se met à clignoter et seule la deuxième fonction est activée, le voyant de la touche s'allume au fixe.

Voyant hublot verrouillé

Le voyant allumé indique que le hublot est verrouillé pour en empêcher l'ouverture. Attendre que le voyant cesse de clignoter avant d'ouvrir la porte (3 minutes environ). Pour ouvrir le hublot tandis qu'un cycle est en cours, appuyer sur la touche START/PAUSE; si le voyant HUBLOT VERROUILLÉ est éteint, on peut ouvrir le hublot.



Démarrage d'un programme

1. Allumer le lave-linge en appuyant sur la touche ON/OFF. Tous les voyants s'allument pendant quelques secondes puis s'éteignent, seul le voyant START/PAUSE flashe.
2. Charger le linge et fermer le hublot.
3. Sélectionner à l'aide du bouton PROGRAMMES le programme désiré.
4. Sélectionner la température de lavage (voir "Personnalisations").
5. Sélectionner la vitesse d'essorage (voir "Personnalisations").
6. Verser les produits lessiviels et les additifs (voir "Produits lessiviels et linge").
7. Sélectionner les fonctions désirées.
8. Appuyer sur la touche START/PAUSE pour démarrer le programme, le voyant correspondant vert restera allumé en fixe. Pour annuler le cycle sélectionné, appuyer sur la touche START/PAUSE pour placer l'appareil en pause et choisir un nouveau cycle.
9. A la fin du programme, le voyant END s'allume. Quand le voyant HUBLOT VERROUILLÉ  s'éteint, on peut ouvrir le hublot (3 minutes environ). Sortir le linge et laisser le hublot entrouvert pour faire sécher le tambour. Eteindre le lave-linge en appuyant sur la touche ON/OFF.

Programmes

FR

Tableau des programmes

Programmes	Description du Programme	Temp. maxi. (°C)	Vitesse maxi (tours minute)	Lessive			Charge maxi (Kg)	Humidité résiduelle %	Consommation d'énergie kWh	Eau totale lt	Durée cycle
				Pré-lavage	Lavage	Assou-plissant					
Programmes Quotidiens (Daily)											
1	Coton avec pré-lavage: blancs extrêmement sales.	90°	1200	●	●	●	8	53	2,86	98	195'
2	Coton standard (1): blancs et couleurs résistantes très sales.	60° (Max. 90°)	1200	-	●	●	8	53	1,23	55,0	195'
3	Coton standard (2): blancs et couleurs délicates peu sales.	40°	1200	-	●	●	8	53	1,01	84	180'
4	Synthétiques: couleurs résistantes très sales.	60°	800	-	●	●	4,5	46	1,03	60	115'
4	Synthétiques (3): couleurs résistantes peu sales.	40°	800	-	●	●	4,5	46	0,56	60	100'
5	Mix couleurs: blancs peu sales et couleurs délicates.	40°	1200	-	●	●	8	53	0,83	63	100'
20° Zone											
6	Coton standard: blancs et couleurs délicates peu sales.	20°	1200	-	●	●	8	-	-	-	175'
7	Mix Light	20°	800	-	●	●	8	-	-	-	120'
8	20' Refresh	20°	800	-	●	●	1,5	-	-	-	20'
Spéciaux (Special)											
9	Soie et voilage: pour linge en soie, viscose, lingerie.	30°	0	-	●	●	2	-	-	-	65'
10	Laine: pour laine, cachemire, etc.	40°	800	-	●	●	2	-	-	-	85'
11	Jeans	40°	800	-	●	●	4	-	-	-	80'
Sport											
12	Sport Intensive	30°	600	-	●	●	4	-	-	-	85'
13	Sport Light	30°	600	-	●	●	4	-	-	-	60'
14	Sport Shoes	30°	600	-	●	●	Max. 2 Paires	-	-	-	60'
Programmes partiiaux											
	Rinçage	-	1200	-	-	●	8	-	-	-	36'
	Essorage + Vidange	-	1200	-	-	-	8	-	-	-	16'

La durée du cycle indiquée sur l'écran ou dans la notice représente une estimation calculée dans des conditions standard. Le temps effectif peut varier en fonction de nombreux facteurs tels que : température et pression de l'eau en entrée, température ambiante, quantité de lessive, quantité et type de charge, équilibrage de la charge, options supplémentaires sélectionnées.

Pour tous les instituts qui effectuent ces tests :

1) Programme de contrôle selon la norme 1061/2010: sélectionner le programme 2 et une température de 60°C.

Ce cycle convient au lavage d'une charge de coton normalement sale et c'est le plus performant en termes de consommation d'eau et d'énergie, l'utiliser pour du linge lavable à 60°C. La température effective de lavage peut différer de la température indiquée.

2) Programme de contrôle selon la norme 1061/2010: sélectionner le programme 3 et une température de 40°C.

Ce cycle convient au lavage d'une charge de coton normalement sale et c'est le plus performant en termes de consommation d'eau et d'énergie, l'utiliser pour du linge lavable à 40°C. La température effective de lavage peut différer de la température indiquée.

2) Programme coton long: sélectionner le programme 3 et une température de 40°C.

3) Programme synthétiques: sélectionner le programme 4 et une température de 40°C.

Sport Intensif (programme 12): est spécialement conçu pour laver des textiles vêtements de sport (survêtements, shorts, etc.) très sales; pour obtenir d'excellents résultats nous recommandons de ne pas dépasser la charge maximale indiquée dans le "Tableau des programmes".

Sport Léger (programme 13): est spécialement conçu pour laver des textiles vêtements de sport (survêtements, shorts, etc.) peu sales; pour obtenir d'excellents résultats nous recommandons de ne pas dépasser la charge maximale indiquée dans le "Tableau des programmes". Nous recommandons d'utiliser de la lessive liquide, avec une dose pour la demi-charge.

Baskets (programme 14): est spécialement conçu pour laver des chaussures de sport; pour obtenir d'excellents résultats nous recommandons de ne pas en laver plus de 2 paires à la fois.

Les programmes 20° (Zone 20°) offrent de bonnes performances de lavage aux basses températures avec une consommation d'électricité réduite qui permet de faire des économies tout en respectant l'environnement. Les programmes 20° satisfont toutes les exigences:

Coton standard (programme 6) idéal pour des charges de linge sale en coton. Les bonnes performances, même à froid, comparables à celles d'un lavage à 40°, sont assurées grâce à une action mécanique qui brasse en variant la vitesse et avec des pics répétés et rapprochés.

Mix quotidien (programme 7) idéal pour des charges mixtes (coton et synthétiques) moyennement sales. Les bonnes performances de lavage, même à froid, sont assurées grâce à une action mécanique qui brasse en variant la vitesse à des intervalles moyens et déterminés.

20' fraîcheur (programme 8) cycle idéal pour rafraîchir du linge peu sale en quelques minutes.

Il ne dure que 20 minutes et permet ainsi de faire des économies de temps et d'énergie. Il permet de laver ensemble des textiles différents (sauf laine et soie) avec une charge maximum de 1,5 kg.

Sélection de la température

Tourner le bouton TEMPÉRATURE pour sélectionner la température de lavage (voir *Tableau des programmes*).

La température peut être abaissée jusqu'au lavage à froid (❄).

La machine interdira automatiquement toute sélection d'une température supérieure à la température maximale prévue pour chaque programme.

! Exception: lors de la sélection du programme **2** la température peut être augmentée jusqu'à 90°.

Sélection de l'essorage

Tourner le bouton ESSORAGE pour sélectionner la vitesse d'essorage du programme sélectionné.

Les vitesses maximales prévues pour les programmes sont:

Programmes	Vitesse maximale
Coton	1200 tours/minute
Synthétiques	800 tours/minute
Laine	800 tours/minute
Soie	vidange seule

La vitesse d'essorage peut être réduite ou l'essorage supprimé en sélectionnant le symbole (⊘).

La machine interdira automatiquement tout essorage à une vitesse supérieure à la vitesse maximale prévue pour chaque programme.

Fonctions

Les différentes fonctions de lavage prévues par le lave-linge permettent d'obtenir la propreté et le blanc souhaités.

Pour activer les fonctions:

1. appuyer sur la touche correspondant à la fonction désirée;
2. l'allumage du voyant correspondant signale que la fonction est activée.

Remarque:

- Si la fonction sélectionnée est incompatible avec le programme sélectionné, le voyant correspondant se met à clignoter et la fonction n'est pas activée.
- Si l' fonction sélectionnée est incompatible avec une autre fonction précédemment sélectionnée, le voyant correspondant à la première fonction se met à clignoter et seule la deuxième fonction est activée, le voyant de la touche s'allume au fixe.

Départ différé

Pour programmer le départ différé d'un programme sélectionné, appuyer sur la touche correspondante jusqu'à ce que le retard désiré soit atteint. Quand cette option est active, le symbole (⌚) s'affiche à l'écran. Pour annuler le départ différé, appuyer sur la touche jusqu'à ce que l'inscription OFF s'affiche à l'écran.

EcoTime

La sélection de cette option permet d'optimiser les mouvements mécaniques, la température et l'eau en fonction d'une charge réduite de coton et synthétiques peu sales (voir "*Tableau des programmes*"). "EcoTime" permet de laver en faisant des économies considérables de temps et de consommations d'eau et d'énergie. Il est conseillé d'utiliser une dose de lessive liquide adaptée à la charge.

Energy Savér

La fonction Energy Savér h permet d'économiser l'énergie puisque l'eau utilisée pour la lessive n'est pas réchauffée : un plus pour l'environnement et pour votre facture d'électricité. L'action renforcée et l'optimisation de la consommation de l'eau garantissent d'excellents résultats pour une durée moyenne identique à celle d'un cycle standard. Pour de meilleurs résultats en matière de lavage, utilisez une lessive liquide.

Produits lessiviels et linge

FR

Tiroir à produits lessiviels

Un bon résultat de lavage dépend aussi d'un bon dosage de produit lessiviel: un excès de lessive ne lave pas mieux, il incruste l'intérieur du lave-linge et pollue l'environnement. Toutefois plus de linge signifie plus de saleté, c'est pourquoi pour obtenir d'excellents résultats à chaque lavage, vous devez ajuster la quantité de lessive nécessaire.

! Ne pas utiliser de lessives pour lavage à la main, elles moussent trop.

! Utiliser des lessives en poudre pour du linge en coton blanc et en cas de pré-lavage et de lavages à une température supérieure à 60°C.

! Respecter les indications figurant sur le paquet de lessive.



Sortir le tiroir à produits lessiviels et verser la lessive ou l'additif comme suit.

bac 1: Lessive pré-lavage (en poudre)

bac 2: Lessive lavage (en poudre ou liquide)

Versez la lessive liquide juste avant la mise en marche.

bac 3: Additifs (adoucissant, etc.)

L'assouplissant ne doit pas déborder de la grille.

Triage du linge

- Trier correctement le linge d'après:
 - le type de textile / le symbole sur l'étiquette.
 - les couleurs: séparer le linge coloré du blanc.
- Vider les poches et contrôler les boutons.
- Ne pas dépasser les valeurs indiquées dans le "Tableau des programmes" correspondant au poids de linge sec..


Combien pèse le linge ?

- 1 drap 400-500 g
- 1 taie d'oreiller 150-200 g
- 1 nappe 400-500 g
- 1 peignoir 900-1200 g
- 1 serviette éponge 150-250 g

Linge ou vêtements particuliers

Soie: sélectionner le programme de lavage spécial **9** pour vêtements en soie. Il est conseillé d'utiliser une lessive spéciale pour linge délicat.

Voilage: pliez-les bien et glissez-les dans une taie d'oreiller ou dans un sac genre filet. Sélectionner le programme **9**.

Laine: grâce au programme **10** vous pouvez laver à la machine tous vos vêtements en laine, y compris ceux qui portent l'étiquette " lavage à la main uniquement " . Pour obtenir d'excellents résultats utilisez un produit lessiviel spécial et ne dépassez pas une charge de 2 kg.

Jeans: mettez les jeans à l'envers avant de les laver et utilisez une lessive liquide. Sélectionnez le programme **11**.

Système d'équilibrage de la charge

Avant tout essorage, pour éviter toute vibration excessive et répartir le linge de façon uniforme, le lave-linge fait tourner le tambour à une vitesse légèrement supérieure à la vitesse de lavage. Si au bout de plusieurs tentatives, la charge n'est toujours pas correctement équilibrée, l'appareil procède à un essorage à une vitesse inférieure à la vitesse normalement prévue. En cas de déséquilibre excessif, le lave-linge préfère procéder à la répartition du linge plutôt qu'à son essorage. Pour une meilleure répartition de la charge et un bon équilibrage, nous conseillons de mélanger de grandes et petites pièces de linge.

Il peut arriver que le lave-linge ne fonctionne pas bien. Avant d'appeler le Service de dépannage (voir "Assistance"), contrôler s'il ne s'agit pas par hasard d'un problème facile à résoudre à l'aide de la liste suivante.

Anomalies:

Causes / Solutions possibles:

Le lave-linge ne s'allume pas.

- La fiche n'est pas branchée dans la prise de courant ou mal branchée.
- Il y a une panne de courant.

Le cycle de lavage ne démarre pas.

- Le hublot n'est pas bien fermé.
- La touche ON/OFF n'a pas été enfoncée.
- La touche START/PAUSE n'a pas été enfoncée.
- Le robinet de l'eau n'est pas ouvert.
- Un départ différé a été sélectionné (voir "Personnalisations").

Il n'y a pas d'arrivée d'eau (Il y aura affichage du message "H2O" clignotant).

- Le tuyau d'arrivée de l'eau n'est pas raccordé au robinet.
- Le tuyau est plié.
- Le robinet de l'eau n'est pas ouvert.
- Il y a une coupure d'eau.
- La pression n'est pas suffisante.
- La touche START/PAUSE n'a pas été enfoncée.

Le lave-linge prend l'eau et vidange continuellement.

- Le tuyau de vidange n'est pas installé à une distance du sol comprise entre 65 et 100 cm (voir "Installation").
- L'extrémité du tuyau de vidange est plongée dans l'eau (voir "Installation").
- L'évacuation murale n'a pas d'évent.

Si après ces vérifications, le problème persiste, fermer le robinet de l'eau, éteindre la machine et appeler le service Assistance. Si l'appartement est situé en étage dans un immeuble, il peut y avoir des phénomènes de siphonnage qui font que le lave-linge prend et évacue l'eau continuellement. Pour supprimer cet inconvénient, on trouve dans le commerce des soupapes spéciales anti-siphonnage.

Le lave-linge ne vidange pas et n'essore pas.

- Le programme ne prévoit pas de vidange: pour certains programmes, il faut la faire partir manuellement.
- Le tuyau de vidange est plié (voir "Installation").
- La conduite d'évacuation est bouchée.

Le lave-linge vibre beaucoup pendant l'essorage.

- Le tambour n'a pas été débloqué comme il faut lors de l'installation du lave-linge (voir "Installation").
- Le lave-linge n'est pas posé à plat (voir "Installation").
- Le lave-linge est coincé entre des meubles et le mur (voir "Installation").

Le lave-linge a des fuites.

- Le tuyau d'arrivée de l'eau n'est pas bien vissé (voir "Installation").
- Le tiroir à produits lessiviels est bouché (pour le nettoyer voir "Entretien et soin").
- Le tuyau de vidange n'est pas bien fixé (voir "Installation").

Les voyants des fonctions et le voyant START/PAUSE clignotent. Le voyant du phase de lavage et le voyant hublot bloqué restent fixes.

- Eteindre l'appareil et débrancher la fiche de la prise de courant, attendre 1 minute environ avant de rallumer.
Si l'anomalie persiste, appeler le service d'assistance.

Il y a un excès de mousse.

- Le produit de lavage utilisé n'est pas une lessive spéciale machine (il faut qu'il y ait l'inscription "pour lave-linge", "main et machine", ou autre semblable).
- La quantité utilisée est excessive.

Assistance

FR

Avant d'appeler le service après-vente:

- Vérifier si on ne peut pas résoudre l'anomalie par ses propres moyens (voir "Anomalies et Remèdes");
- Remettre le programme en marche pour contrôler si l'inconvénient a disparu;
- Autrement, contacter le Centre d'Assistance technique agréé au numéro de téléphone indiqué sur le certificat de garantie.

! Ne jamais s'adresser à des techniciens non agréés.

Communiquer:

- le type de panne;
- le modèle de l'appareil (Mod.);
- son numéro de série (S/N).

Ces informations se trouvent sur la plaque signalétique apposée à l'arrière du lave-linge et à l'avant quand on ouvre la porte hublot.

RÈGLEMENT DÉLÉGUÉ (UE) N ° 1061/2010 DE LA COMMISSION

Marque	INDESIT
Modèle	IWD 81252 C ECO EU
Capacité nominale en kg de coton	8.0
Classe énergétique sur une échelle de A+++ (faible consommation) à G (consommation élevée)	A++
Consommation d'énergie par année en kWh ¹⁾	222.0
Consommation d'énergie d'un programme coton standard à 60°C et à pleine charge en kWh ²⁾	1.232
Consommation d'énergie d'un programme coton standard à 60°C et à demi-charge en kWh ²⁾	0.808
Consommation d'énergie d'un programme coton standard à 40°C et à demi-charge en kWh ²⁾	0.735
Consommation d'énergie en mode "off" en W	0.5
Consommation d'énergie en mode "on" en W	8.0
Consommation d'eau par an en litres ³⁾	11374
Classe d'efficacité d'essorage sur une échelle de G (efficacité minimum) à A (efficacité maximum)	B
Vitesse d'essorage maximum ⁴⁾	1200
Taux d'humidité résiduelle (en %) ⁵⁾	53%
Durée du « programme coton standard à 60°C » à pleine charge en minutes	195
Durée du « programme coton standard à 60°C » à demi-charge en minutes	165
Durée du « programme coton standard à 40°C » à demi-charge en minutes	160
Durée du mode laissé en marche en minutes	30
Émissions acoustiques dans l'air, exprimées en dB(A) re 1 pW en phase de lavage ⁶⁾	61
Émissions acoustiques dans l'air, exprimées en dB(A) re 1 pW en phase d'essorage ⁶⁾	77
Encastrable	

¹⁾ Le programme "coton standard 60°C" pleine et demi-charge et le programme "coton standard 40°C" demi-charge sont les programmes de lavage standard auxquels se rapportent les informations qui figurent sur l'étiquette et sur la fiche. Ils conviennent pour laver du linge en coton normalement sale, et il s'agit des programmes les plus efficaces en termes de consommation combinée d'eau et d'énergie. La demi-charge correspond à la moitié de la charge nominale.

²⁾ Sur la base de 220 cycles de lavage standard pour les programmes coton à 60°C et à 40°C à pleine et à demi-charge, et de la consommation des modes à faible puissance. La consommation réelle d'énergie dépend des conditions d'utilisation de l'appareil.

³⁾ Sur la base de 220 cycles de lavage standard pour les programmes coton à 60°C et à 40°C à pleine et à demi-charge. La consommation réelle d'eau dépend des conditions d'utilisation de l'appareil.

⁴⁾ Pour le programme standard à 60°C à pleine ou demi-charge, ou le programme standard à 40°C à demi-charge, la valeur la plus faible des deux étant retenue.

⁵⁾ Atteint avec le programme coton à 60°C à pleine et demi-charge, ou le programme coton à 40°C à demi-charge, la valeur la plus élevée des deux étant retenue.

⁶⁾ Sur la base des phases de lavage et d'essorage pour le programme coton standard à 60°C à pleine charge.

PL

Polski

IWD 81252

Spis treści

Instalacja, 26-27

Rozpakowanie i wy poziomowanie
Podłączenia hydrauliczne i elektryczne
Pierwszy cykl prania
Dane techniczne

Utrzymanie i konserwacja, 28

Odlączenie wody i prądu elektrycznego
Czyszczenie pralki
Czyszczenie szufladki na środki piorące
Konserwacja okrągłych drzwiczek i bębna
Czyszczenie pompy
Kontrola przewodu doprowadzającego wodę

Zalecenia i środki ostrożności, 29

Ogólne zasady bezpieczeństwa
Utylizacja

Opis pralki i uruchamianie programu, 30-31

Panel sterowania
Kontrolki
Uruchamianie programu

Programy, 32

Tabela programów

Personalizacja, 33

Ustawianie temperatury
Ustawianie wirowania
Funkcje

Środki piorące i bielizna, 34

Szufladka na środki piorące
Przygotowanie bielizny
Tkaniny wymagające szczególnego traktowania
System równoważenia ładunku

Nieprawidłowości w działaniu i sposoby ich usuwania, 35

Serwis Techniczny, 36

Instalacja

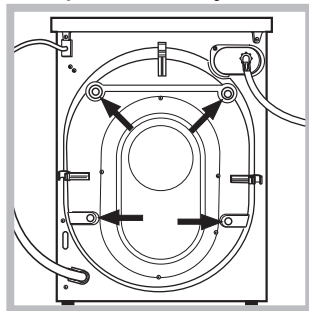
PL

! Należy zachować niniejszą książeczkę, aby móc z niej skorzystać w każdej chwili. W przypadku sprzedaży, odstąpienia lub przeniesienia pralki w inne miejsce należy zadbać o przekazanie instrukcji wraz z maszyną, aby nowy właściciel mógł zapoznać się z działaniem urządzenia i z dotyczącymi go ostrzeżeniami.
! Należy uważnie przeczytać instrukcję obsługi: zawiera ona ważne informacje dotyczące instalacji oraz właściwego i bezpiecznego użytkowania pralki.

Rozpakowanie i wypoziomowanie

Rozpakowanie

1. Rozpakować pralkę.
2. Sprawdzić, czy nie doznała ona uszkodzeń w czasie transportu. W przypadku stwierdzenia uszkodzeń nie podłączać jej i skontaktować się ze sprzedawcą.



3. Odkręcić 4 śruby zabezpieczające maszynę na czas transportu oraz zdjąć gumowy element z podkładką, znajdujący się w tylnej części pralki (patrz rysunek).

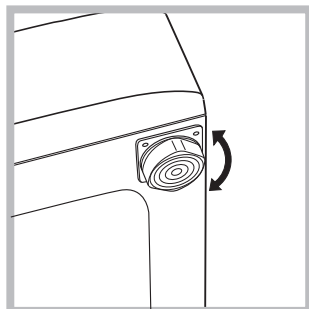
4. Zatkać otwory przy pomocy plastikowych zaślepek, znajdujących się w wyposażeniu maszyny.

5. Zachować wszystkie części: w razie konieczności przewiezienia pralki w inne miejsce, powinny one zostać ponownie zamontowane.

! Części opakowania nie są zabawkami dla dzieci.

Poziomowanie

1. Ustawić pralkę na płaskiej i twardej podłodze, nie opierając jej o ściany, meble itp.



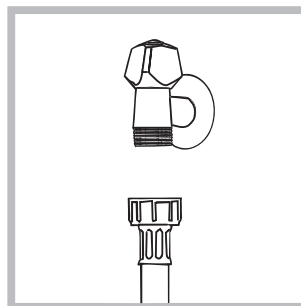
2. Jeśli podłoga nie jest idealnie pozioma, należy skompensować nierówności, odkręcając lub dokręcając przednie nóżki (patrz rysunek);

kąt nachylenia, zmierzony na górnym blacie pralki nie powinien przekraczać 2°.

Staranne wypoziomowanie pralki zapewnia jej stabilność i zapobiega wibracjom, hałasowi oraz przesuwaniu się maszyny w czasie pracy. W razie ustawienia na dywanie lub wykładzinie dywanowej należy tak wyregulować nóżki, aby pod pralką pozostawała wolna przestrzeń niezbędna dla wentylacji.

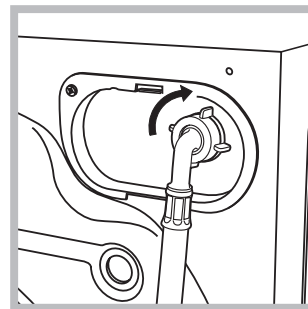
Podłączenia hydrauliczne i elektryczne

Podłączenie przewodu doprowadzającego wodę



zezroczysta.

1. Podłączyć przewód zasilający poprzez przykręcenie do zaworu wody zimnej z końcówką gwintowaną $\frac{3}{4}$ gas (patrz rysunek). Przed podłączeniem spuszczać wodę do momentu, aż stanie się ona całkowicie przeczyszczona.



2. Podłączyć do maszyny przewód doprowadzający wodę, przykręcając go do odpowiedniego otworu dopływowego, znajdującego się w tylnej części pralki, z prawej strony u góry (patrz rysunek).

3. Zwrócić uwagę, aby na przewodzie nie było zagięć ani zwężeń.

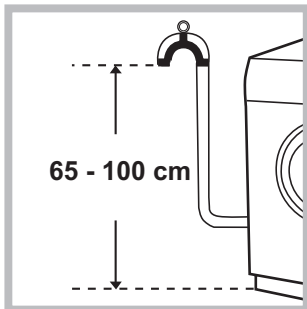
! Ciśnienie wody w kurku powinno mieścić się w przedziale podanym w tabeli Danych technicznych (patrz strona obok).

! Jeśli długość przewodu doprowadzającego wodę jest niewystarczająca, należy zwrócić się do specjalistycznego sklepu lub do autoryzowanego technika.

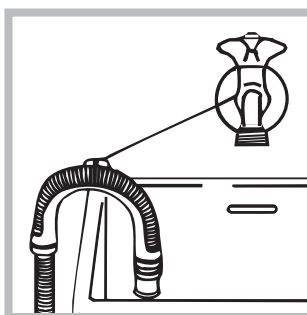
! Nigdy nie instalować już używanych przewodów.

! Stosować przewody znajdujące się w wyposażeniu maszyny.

Podłączenie przewodu odpływowego



Podłączyć przewód odpływowy, nie zginając go, do rury ściekowej lub do otworu odpływowego w ścianie, które powinny znajdować się na wysokości od 65 do 100 cm od podłogi;



ewentualnie oprzeć go na brzegu zlewu lub wanny, przymocowując do kranu prowadnik, znajdujący się w wyposażeniu (*patrz rysunek*). Wolny koniec przewodu odpływowego nie powinien być zanurzony w wodzie.

! Odradza się stosowanie przewodów przedłużających; jeśli to konieczne, przewód przedłużający powinien mieć taką samą średnicę jak oryginalny, a jego długość nie może przekraczać 150 cm.

Podłączenie elektryczne

Przed włożeniem wtyczki do gniazdka elektrycznego należy się upewnić, czy:

- gniazdko posiada uziemienie i jest zgodne z obowiązującymi przepisami;
- gniazdko jest w stanie wytrzymać maksymalne obciążenie mocy maszyny, wskazane w tabeli Danych technicznych (*patrz obok*);
- napięcie zasilania mieści się w wartościach wskazanych w tabeli Danych technicznych (*patrz obok*);
- gniazdko pasuje do wtyczki pralki. W przeciwnym razie należy wymienić gniazdko lub wtyczkę.

! Nie należy instalować pralki na otwartym powietrzu, nawet w osłoniętym miejscu, gdyż wystawienie urządzenia na działanie deszczu i burz jest bardzo niebezpieczne.

! Po zainstalowaniu pralki gniazdko elektryczne powinno być łatwo dostępne.

! Nie używać przedłużaczy ani rozgałęźników.

! Przewód nie powinien być pozginany ani przygnieciony.

! Przewód zasilania elektrycznego może być wymieniany wyłącznie przez autoryzowanych techników.

Uwaga! Producent nie ponosi żadnej odpowiedzialności w przypadku nieprzestrzegania powyższych zasad.

Pierwszy cykl prania

Po zainstalowaniu pralki, przed przystąpieniem do jej użytkowania, należy wykonać jeden cykl prania ze środkiem piorącym, ale bez wsadu, nastawiając program 2.

Dane techniczne

Model	IWD 81252
Wymiary	szerokość cm 59,5 wysokość cm 85 głębokość cm 60
Pojemność	od 1 do 8 kg
Dane prądu elektrycznego	dane techniczne umieszczone są na tabliczce na maszynie
Dane sieci wodociągowej	Maksymalne ciśnienie 1 MPa (10 barów) ciśnienie minimalne 0,05 MPa (0,5 barów) pojemność bębna 62 litrów
Szybkość wirowania	do 1200 obrotów na minutę
Programy testowe zgodnie z dyrektywami 1061/2010 i 1015/2010	Program 2: Bawełna 60°C. Program 3: Bawełna 40°C.
 	Urządzenie to zostało wyprodukowane zgodnie z następującymi przepisami CE: - 2004/108/CE (o Kompatybilności Elektromagnetycznej) - 2012/19/EU - 2006/95/CE (o Niskim Napięciu)

Utrzymanie i konserwacja

PL

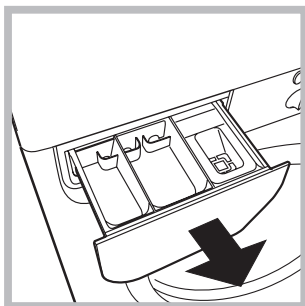
Odłączenie wody i prądu elektrycznego

- Zamknąć kurek dopływu wody po każdym praniu. W ten sposób zmniejsza się zużycie instalacji hydraulicznej pralki oraz eliminuje się niebezpieczeństwo wycieków.
- Przed przystąpieniem do czyszczenia pralki oraz do czynności konserwacyjnych wyjąć wtyczkę z gniazdka.

Czyszczenie pralki

Obudowę zewnętrzną i gumowe części pralki można myć ściereczką zmoconą w letniej wodzie z mydłem. Nie stosować rozpuszczalników ani ściernych środków czyszczących.

Czyszczenie szufladki na środki piorące



Wysunąć szufladkę, unosząc ją lekko ku górze i wyciągając na zewnątrz (*patrz rysunek*). Wypłukać szufladkę pod bieżącą wodą. Czynność tę należy wykonywać stosunkowo często.

Konserwacja okrągłych drzwiczek i bębna

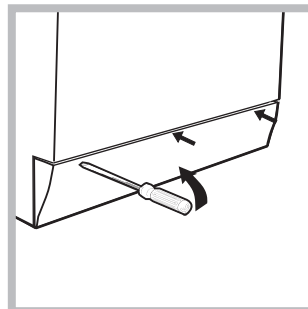
- Drzwiczki pralki należy zawsze pozostawiać uchylone, aby zapobiec tworzeniu się nieprzyjemnych zapachów.

Czyszczenie pompy

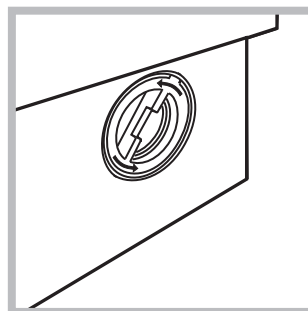
Pralka wyposażona jest w pompę samoczyszczącą, która nie wymaga zabiegów konserwacyjnych. Może się jednak zdarzyć, że drobne przedmioty (monety, guziki) wpadną do komory wstępnej zabezpieczającej pompę, która znajduje się w jej dolnej części.

! Należy się upewnić, że cykl prania został zakończony i wyjąć wtyczkę z gniazdka.

Aby dostać się do komory wstępnej:



1. zdjąć panel pokrywy z przedniej strony pralki przy pomocy śrubokrętu (*patrz rysunek*);



2. odkręcić pokrywę, obracając ją w kierunku przeciwnym do ruchu wskazówek zegara (*patrz rysunek*): wypłynięcie niewielkiej ilości wody jest normalnym zjawiskiem;

3. dokładnie wyczyścić wnętrze;
4. ponownie przykręcić pokrywę;
5. ponownie założyć panel upewniwszy się, przed dociśnięciem go do maszyny, czy zastrzaski zostały umieszczone w odpowiednich otworach.

Kontrola przewodu doprowadzającego wodę

Przynajmniej raz w roku należy sprawdzić przewód doprowadzający wodę. Jeśli widoczne są na nim pęknięcia i rysy, należy go wymienić: w trakcie prania duże ciśnienie może bowiem spowodować jego nagłe zerwanie.

! Nigdy nie instalować już używanych przewodów.

! Pralka została zaprojektowana i wyprodukowana zgodnie z międzynarodowymi normami bezpieczeństwa. Niniejsze ostrzeżenia zostały tu zamieszczone ze względów bezpieczeństwa i należy je uważnie przeczytać.

Ogólne zasady bezpieczeństwa

- Urządzenie to zostało zaprojektowane wyłącznie do użytkowania w warunkach domowych.
- Z niniejszego urządzenia mogą korzystać dzieci powyżej 8 roku życia i osoby o ograniczonych zdolnościach fizycznych, zmysłowych bądź umysłowych, jak również osoby nieposiadające doświadczenia lub znajomości urządzenia, jeśli znajdują się one pod nadzorem innych osób lub jeśli zostały pouczone na temat bezpiecznego sposobu użycia urządzenia oraz zdają sobie sprawę ze związanych z nim zagrożeń. Dzieci nie powinny bawić się urządzeniem. Prace związane z czyszczeniem i konserwacją nie mogą być wykonywane przez dzieci, jeśli nie są one nadzorowane.
- Nie dotykać pralki, stojąc przy niej boso lub mając mokre lub wilgotne ręce albo stopy.
- Nie wyjmować wtyczki z gniazdka, ciągnąc za kabel, lecz trzymając za wtyczkę.
- W trakcie pracy maszyny nie otwierać szufladki na środki piorące.
- Nie dotykać odprowadzanej wody, gdyż może ona osiągać wysokie temperatury.
- W żadnym wypadku nie otwierać okrągłych drzwiczek pralki na siłę: grozi to uszkodzeniem mechanizmu zabezpieczającego drzwiczki przed przypadkowym otwarciem.
- W razie wystąpienia usterki nie należy w żadnym wypadku próbować dostać się do wewnętrznych części pralki z zamiarem samodzielnego dokonania naprawy.
- Zawsze uważać, aby dzieci nie zbliżały się do pracującej pralki.
- W czasie prania okrągłe drzwiczki pralki nagrzewają się.
- Jeśli trzeba przenieść pralkę w inne miejsce, należy to robić bardzo ostrożnie, w dwie lub trzy osoby. Nigdy nie przenosić pralki samodzielnie, gdyż jest ona bardzo ciężka.
- Przed włożeniem bielizny sprawdzić, czy bęben jest pusty.

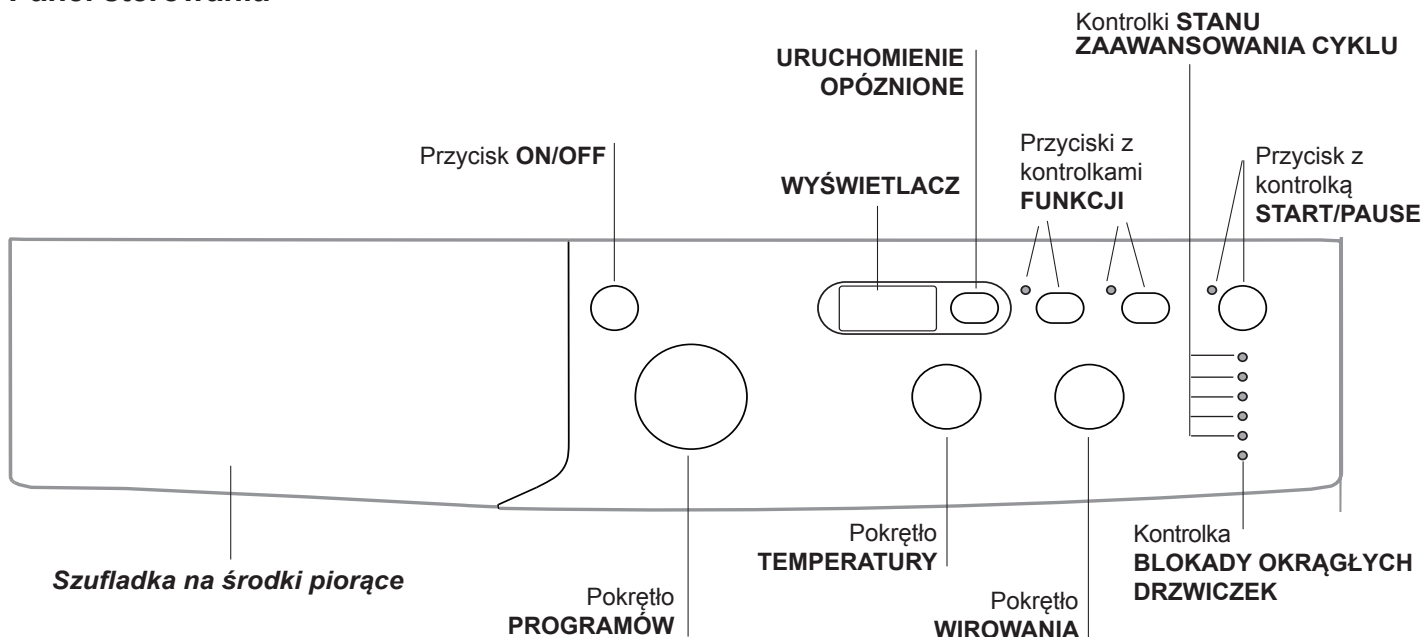
Utylizacja

- Utylizacja opakowania: stosować się do lokalnych przepisów, dzięki temu opakowanie będzie mogło zostać ponownie wykorzystane.
- Europejska Dyrektywa 2012/19/EU dotycząca Zużytych Elektrycznych i Elektronicznych Urządzeń zakłada zakaz pozbywania się starych urządzeń domowego użytku jako nieposortowanych śmieci komunalnych. Zużyte urządzenia muszą być osobno zbierane i sortowane w celu zoptymalizowania odzyskania oraz ponownego przetworzenia pewnych komponentów i materiałów. Pozwala to ograniczyć zanieczyszczenie środowiska i pozytywnie wpływa na ludzkie zdrowie.

Przekreślony symbol „kosza” umieszczony na produkcie przypomina klientowi o obowiązku specjalnego sortowania. Konsumenci powinni kontaktować się z władzami lokalnymi lub sprzedawcą w celu uzyskania informacji dotyczących postępowania z ich zużytymi urządzeniami gospodarstwa domowego.

Opis pralki i uruchamianie programu

Panel sterowania



Szufladka na środki piorące: do dozowania środków piorących i dodatków (patrz „Środki piorące i bielizna”).

Przycisk **ON/OFF**: do włączania i wyłączania pralki.


Pokrętko **PROGRAMÓW**: do ustawiania programów. W czasie trwania programu pokrętko pozostaje nieruchome.

Przyciski z kontrolkami **FUNKCJI**: do wyboru dostępnych funkcji. Kontrolka wybranej funkcji pozostaje zaświecona.

Pokrętko **WIROWANIA**: do nastawienia lub wyłączenia wirowania (patrz „Personalizacja”).

Pokrętko **TEMPERATURY**: do regulacji temperatury prania lub do nastawienia prania w zimnej wodzie (patrz „Personalizacja”).


WYŚWIETLACZ: aby wyświetlić czas trwania poszczególnych dostępnych programów i po starcie, czas, jaki pozostał do zakończenia programu; w przypadku, gdy została ustawiona funkcja **URUCHOMIENIE OPÓZNIONE**, wyświetlony zostanie pozostały czas od momentu startu wybranego programu.

Przycisk **URUCHOMIENIE OPÓZNIONE** : nacisnąć w celu ustawienia opóźnionego uruchomienia wybranego programu. Opóźnienie wyświetlone zostanie na ekranie.

Kontrolki **STANU ZAAWANSOWANIA CYKLU**: umożliwiają kontrolę stanu zaawansowania programu prania. Zapalona kontrolka wskazuje bieżącą fazę.

Kontrolka **BLOKADY OKRĄGLYCH DRZWICZEK**: pozwala sprawdzić czy możliwe jest otwarcie okrągłych drzwi (patrz strona obok).

Przycisk z kontrolką **START/PAUSE**: do uruchamiania programów lub ich chwilowego przerywania.

N.B.: aby przerwać wykonywane pranie, należy nacisnąć ten przycisk, jego kontrolka zacznie pulsować na pomarańczowo, natomiast kontrolka bieżącej fazy będzie świecić ciągłym światłem. Jeśli kontrolka **BLOKADY OKRĄGLYCH DRZWICZEK**  jest wyłączona, można otworzyć drzwi pralki (odczekać około 3 minuty). W celu ponownego uruchomienia prania od momentu, w którym zostało ono przerwane, należy ponownie nacisnąć ten przycisk.

Funkcja stand by






Pralka ta, w myśl nowych norm europejskich związanych z oszczędnością elektryczną, posiada system auto wyłączenia (stand by), który włącza się po 30 minutach nie użytkowania. Ponownie lekko wcisnąć przycisk **ON-OFF** i poczekać, aż pralka ponownie włączy się.

Kontrolki

Kontrolki dostarczają ważnych informacji. Oto co sygnalizują:

Kontrolki bieżącej fazy prania:

Po wybraniu i uruchomieniu żądanego cyklu prania kontrolki będą się kolejno zapalać, wskazując stan zaawansowania programu:

Pranie	
Płukanie	
Wirowanie	
Odprowadzanie wody	
Koniec prania	

Przyciski funkcyjne i ich kontrolki


Po dokonaniu wyboru funkcji jej kontrolka zaświeci się. W przypadku wyboru funkcji niezgodnej z ustawionym programem jej kontrolka zacznie pulsować i funkcja nie włączy się.

Jeśli wybrana funkcja nie jest zgodna z inną, ustawioną uprzednio, kontrolka odpowiadająca pierwszej funkcji będzie pulsowała i uruchomiona zostanie jedynie druga funkcja a kontrolka uruchomionej funkcji zaświeci się.

Kontrolka blokady okrągłych drzwiczek

Włączona kontrolka wskazuje, że drzwiczki zostały zablokowane w celu uniemożliwienia ich otwarcia; aby można było otworzyć drzwiczki, kontrolka musi być wyłączona; (odczekać około 3 minuty). Aby otworzyć drzwiczki w trakcie wykonywania cyklu należy nacisnąć przycisk START/PAUSE; jeśli kontrolka BLOKADY OKRĄGLYCH DRZWICZEK jest wyłączona, można otworzyć drzwiczki.

Uruchamianie programu

1. Włączyć pralkę, naciskając przycisk ON/OFF. Wszystkie kontrolki zapalą się na kilka sekund, następnie wyłączą się i zacznie pulsować kontrolka START/PAUSE.
2. Załadować bieliznę i zamknąć drzwiczki pralki.
3. Ustawić żądany program przy pomocy pokrętki PROGRAMÓW.
4. Ustawić temperaturę prania (*patrz „Personalizacja”*).
5. Ustawić szybkość wirowania (*patrz „Personalizacja”*).
6. Wsypać środek piorący i dodatki (*patrz „Środki piorące i bielizna”*).
7. Wybrać żądane funkcje.
8. Uruchomić program naciskając przycisk START/PAUSE, kontrolka programu będzie świecić ciągłym światłem w kolorze zielonym. Aby anulować ustawiony cykl, należy chwilowo zatrzymać urządzenie, naciskając przycisk START/PAUSE, i wybrać nowy cykl.
9. Po zakończeniu programu zapali się kontrolka END. Po zgaśnięciu kontrolki BLOKADY OKRĄGLYCH DRZWICZEK  można otworzyć drzwiczki (odczekać około 3 minuty). Wyjąć bieliznę i pozostawić drzwiczki pralki uchylone, aby bęben mógł wyschnąć. Wyłączyć pralkę, naciskając przycisk ON/OFF.

Programy

PL

Tabela programów

Programy	Opis programu	Temp. max (°C)	Prędkość max (obrotów na minutę)	Środki piorące			Ładunek max (kg)	Wilgotność resztkowa %	Zużycie energii kWh	Woda łącznie lt	Czas trwania cyklu
				Pranie Wstępne	Pranie	Wybielacz					
Codzienne											
1	Bawełna z praniem Wstępnym: bielizna biała silnie zabrudzona.	90°	1200	●	●	●	8	53	2,86	98	195'
2	Bawełna 60°C (1): tkaniny białe i kolorowe, wytrzymałe, mocno zabrudzone.	60° (Max. 90°)	1200	-	●	●	8	53	1,23	55,0	195'
3	Bawełna 40°C (2): tkaniny białe i kolorowe, delikatne, lekko zabrudzone.	40°	1200	-	●	●	8	53	1,01	84	180'
4	Białe syntetyki: tkaniny kolorowe, wytrzymałe, mocno zabrudzone.	60°	800	-	●	●	4,5	46	1,03	60	115'
4	Białe syntetyki (3): tkaniny kolorowe, wytrzymałe, lekko zabrudzone.	40°	800	-	●	●	4,5	46	0,56	60	100'
5	Kolorowa bawełna: tkaniny białe lekko zabrudzone i delikatne kolorowe.	40°	1200	-	●	●	8	53	0,83	63	100'
20° Zone											
6	Bawełna 20°C: tkaniny białe i kolorowe, delikatne, lekko zabrudzone.	20°	1200	-	●	●	8	-	-	-	175'
7	Mix Light	20°	800	-	●	●	8	-	-	-	120'
8	20' odświeżanie	20°	800	-	●	●	1,5	-	-	-	20'
Specjalne											
9	Jedwab/Firanki: do jedwabiu, wiskozy, bielizny.	30°	0	-	●	●	2	-	-	-	65'
10	Wełna: do wełny, kaszmiru, itp.	40°	800	-	●	●	2	-	-	-	85'
11	Jeans	40°	800	-	●	●	4	-	-	-	80'
Sportowe											
12	Sport Intensive	30°	600	-	●	●	4	-	-	-	85'
13	Sport Light	30°	600	-	●	●	4	-	-	-	60'
14	Specjalny Obuwie	30°	600	-	●	●	Maks. 2 pary.	-	-	-	60'
Programy częściowe											
	Płukanie	-	1200	-	-	●	8	-	-	-	36'
	Wirowanie + Odprowadzenie wody	-	1200	-	-	-	8	-	-	-	16'

Czas trwania cyklu wskazany na wyświetlaczu lub w instrukcji jest czasem oszacowanym dla standardowych warunków. Rzeczywisty czas trwania cyklu może się zmieniać w zależności od wielu czynników, takich jak temperatura i ciśnienie wody na wlocie, temperatura otoczenia, ilość detergentu, ilość i rodzaj pranej odzieży, wyważenie ładunku, wybrane opcje dodatkowe.

1) Program kontrolny zgodny z normą 1061/2010: ustawić program 2, wybierając temperaturę 60°C.

Ten cykl jest odpowiedni do prania średnio zabrudzonej odzieży bawełnianej i jest najbardziej wydajnym cyklem pod względem łącznego zużycia energii elektrycznej i wody; należy go używać do odzieży przeznaczonej do prania w 60°C. Rzeczywista temperatura prania może się różnić od podanej.

2) Program kontrolny zgodny z normą 1061/2010: ustawić program 3, wybierając temperaturę 40°C.

Ten cykl jest odpowiedni do prania średnio zabrudzonej odzieży bawełnianej i jest najbardziej wydajnym cyklem pod względem łącznego zużycia energii elektrycznej i wody; należy go używać do odzieży przeznaczonej do prania w 40°C. Rzeczywista temperatura prania może się różnić od podanej.

Dla wszystkich Instytucji homologacyjnych:

2) Program bawełna, długi: ustawić program 3, wybierając temperaturę 40°C.

3) Program SYNTETYCZNE, długi: ustawić program 4, wybierając temperaturę 40°C.

Sport Intensive (program 12): został opracowany do prania tkanin używanych do produkcji odzieży sportowej (dresów, krótkich spodenek itp.) o dużym stopniu zabrudzenia; dla uzyskania najlepszych rezultatów prania zaleca się nie przekraczać maksymalnego wsadu określonego w „Tabela programów”.

Sport Light (program 13): został opracowany do prania tkanin używanych do produkcji odzieży sportowej (dresów, krótkich spodenek itp.) o niewielkim stopniu zabrudzenia; dla uzyskania najlepszych rezultatów prania zaleca się nie przekraczać maksymalnego wsadu określonego w „Tabela programów”. Zaleca się stosowanie płynnych środków do prania, w ilości jak dla połowy wsadu.

Specjalny Obuwie (program 14): został opracowany do prania obuwia sportowego; dla uzyskania najlepszych rezultatów nie należy prac jednocześnie więcej niż 2 par obuwia.

Programy 20° (20° Zone) dają dobre rezultaty prania w niskich temperaturach, pozwalając na zmniejszenie zużycia energii elektrycznej, z korzyścią dla finansów domowych oraz środowiska. Programy 20° spełniają wszystkie wymagania:

Bawełna 20°C (program 6) idealny do zabrudzonej bielizny bawełnianej. Dobre wyniki prania w zimnej wodzie, porównywalne z praniem w 40°, są gwarantowane dzięki działaniu mechanicznemu, wykonywanemu ze zmienną prędkością, której maksymalne wartości powtarzają się w krótkich odstępach czasu.

Mix Light (program 7) idealny do normalnie zabrudzonej bielizny mieszanej (tkaniny bawełniane i syntetyczne). Dobre wyniki prania, również w zimnej wodzie, są gwarantowane dzięki działaniu mechanicznemu, wykonywanemu ze zmienną prędkością w dłuższych i określonych odstępach czasu.

20' odświeżanie (program 8) cykl idealny do odświeżania i prania lekko zabrudzonej odzieży w kilka minut. Trwa tylko 20 minut, dzięki czemu oszczędza się energię elektryczną i czas. Pozwala prac razem tkaniny różnego rodzaju (z wyjątkiem wełny i jedwabiu), przy maksymalnym ładunku 1,5 kg.

Ustawianie temperatury

Obracając pokrętkiem TEMPERATURA ustawia się temperaturę prania (patrz *Tabela programów*).

Temperaturę można zmniejszać, aż do prania w zimnej wodzie ❄.

Pralka automatycznie uniemożliwi ustawienie temperatury wyższej od maksymalnej temperatury przewidzianej dla danego programu.

! Wyjątek: wybierając program 2 temperaturę można podnieść aż do 90°.

Ustawianie wirowania

Obracając pokrętkiem WIROWANIE ustawia się prędkość wirowania dla wybranego programu.

Maksymalne prędkości przewidziane dla poszczególnych programów są następujące:

Programy	Prędkość maksymalna
Bawełna	1200 obrotów na minutę
Tkaniny syntetyczne	800 obrotów na minutę
Wełna	800 obrotów na minutę
Jedwab	tylko odprowadzenie wody

Prędkość wirowania może zostać zmniejszona, można też całkowicie wyłączyć wirowanie, wybierając symbol ⓪.

Pralka automatycznie uniemożliwi wykonanie wirowania z prędkością większą niż maksymalna prędkość wirowania przewidziana dla danego programu.

Funkcje

Różne funkcje, w jakie wyposażona jest pralka, pozwalają na uzyskanie oczekiwanej czystości i bieli prania.

Aby włączyć poszczególne funkcje, należy:

1. nacisnąć przycisk odpowiadający żądanej funkcji;
2. zapalenie się jego kontrolki sygnalizuje, że funkcja jest włączona.

Uwaga:

- W przypadku wyboru funkcji niezgodnej z ustawionym programem jej kontrolka zacznie pulsować i funkcja nie włączy się.
- Jeśli wybrana funkcja nie jest zgodna z inną, ustawioną uprzednio, kontrolka odpowiadająca pierwszej funkcji będzie pulsowała i uruchomiona zostanie jedynie druga funkcja a kontrolka uruchomionej funkcji zaświeci się.


Uruchomienie opóźnione

W celu ustawienia opóźnionego rozpoczęcia wybranego programu należy naciskać odpowiedni przycisk aż do osiągnięcia żądanego czasu opóźnienia. Kiedy opcja ta jest aktywna, na wyświetlaczu pojawia się symbol . W celu usunięcia opóźnionego uruchomienia należy naciskać przycisk aż do pojawienia się napisu "OFF".

EcoTime

W przypadku wyboru tej opcji ruchy bębna, temperatura i woda są dostosowywane do niedużego wsadu tkanin bawełnianych i syntetycznych, o niewielkim stopniu zabrudzenia (*patrz „Tabela programów”*). "EcoTime" możesz prac szybciej, oszczędzając wodę i energię. Zaleca się stosować płynny środek do prania, dostosowując jego ilość do ilości wsadu.

Energy Saver

Funkcja  umożliwia oszczędności pod względem zużywanej energii, nie podgrzewając wody używanej do prania, co niesie za sobą korzyści zarówno dla środowiska naturalnego, jak i dla rachunku za prąd. Wzmocniona siła działania i zoptymalizowane zużycie wody gwarantują doskonałe rezultaty przy długości cyklu takiej samej, jak w przypadku cyklu standard. Aby uzyskać jak najlepsze rezultaty, zalecamy korzystać z płynu do prania.

Środki piorące i bielizna

PL

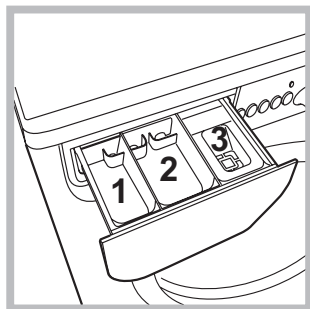
Szufladka na środki piorące

Dobry rezultat prania zależy również od prawidłowego dozowania środka piorącego: użycie jego nadmiernej ilości nie poprawia skuteczności prania, lecz przyczynia się do powstawania nalotów na wewnętrznych częściach pralki i do zanieczyszczania środowiska.

! Nie stosować środków do prania ręcznego, ponieważ tworzą one za dużo piany.

! Środki piorące w proszku należy stosować do tkanin z białej bawełny i do prania wstępnego oraz do prania w temperaturze przekraczającej 60°C.

! Należy stosować się do zaleceń podanych na opakowaniu środka piorącego.



Wysunąć szufladkę i umieścić w niej środek piorący lub dodatkowy w następujący sposób.

przegródka 1: Środek piorący do prania wstępnego (w proszku)

przegródka 2: Środek piorący do prania właściwego (w proszku lub w płynie)

Płynny środek do prania należy wlać dopiero przed samym uruchomieniem programu.

przegródka 3: Środki dodatkowe (zmiękczające, itp.)

Środek zmiękczający nie powinien wypływać poza kratkę.

Przygotowanie bielizny

- Podzielić bieliznę do prania według:
 - rodzaju tkaniny / symbolu na etykiecie.
 - kolorów: oddzielić tkaniny kolorowe od białych.
- Opróżnić kieszenie i sprawdzić guziki.
- Nie przekraczać wartości wskazanych w „Tabela programów” odnoszących się do ciężaru bielizny suchej.


Ile waży bielizna?

- 1 prześcieradło 400-500 gr.
- 1 poszewka 150-200 gr.
- 1 obrus 400-500 gr.
- 1 szlafrok 900-1.200 gr.
- 1 ręcznik 150-250 gr.

Tkaniny wymagające szczególnego traktowania

Jedwab: stosować odpowiedni program **9** do prania wszelkiego rodzaju wyrobów z jedwabiu. Zaleca się stosowanie specjalnego środka piorącego do tkanin delikatnych.

Firanki: włożyć je złożone do poszewki lub do siatkowatego worka. Stosować program **9**.

Wełna: za pomocą programu **10** można prać w pralce także odzież wełnianą, również tę opatrzoną etykietą „tylko pranie ręczne” . Aby uzyskać jak najlepsze rezultaty, należy stosować specjalny środek do prania i nie przekraczać wsadu 2 kg.

Jeans: przed praniem odwrócić odzież na lewą stronę, stosować płynny środek do prania. Używać programu **11**.

System równoważenia ładunku

Przed każdym wirowaniem, aby uniknąć nadmiernych drgań oraz jednorodnie rozłożyć wsad, bęben wykonuje obroty z prędkością nieco większą niż podczas prania. Jeśli pomimo kolejnych prób wsad nie zostanie równomiernie rozłożony, maszyna wykona wirowanie z prędkością mniejszą od przewidzianej. W przypadku nadmiernego nierównoważenia pralka wykona rozłożenie wsadu zamiast wirowania. Aby zapewnić lepsze rozłożenie wsadu oraz jego właściwe zrównoważenie, zaleca się wymieszanie dużych i małych sztuk bielizny.

Nieprawidłowości w działaniu i sposoby ich usuwania

Może się zdarzyć, że pralka nie działa. Przed wezwaniem Serwisu Technicznego (patrz „Serwis Techniczny”) należy sprawdzić, czy problemu nie da się łatwo rozwiązać przy pomocy poniższego wykazu.

Nieprawidłowości w działaniu: Możliwe przyczyny / Rozwiązania:

Pralka nie włącza się.

- Wtyczka nie jest włączona do gniazdka lub jest wsunięta za słabo, tak że nie ma styku.
- W domu nastąpiła przerwa w dostawie prądu.

Cykl prania nie rozpoczyna się.

- Drzwiczki pralki nie są dobrze zamknięte.
- Nie został wciśnięty przycisk ON/OFF.
- Nie został wciśnięty przycisk START/PAUSE.
- Kurek dopływu wody jest zamknięty.
- Zostało nastawione opóźnienie startu (patrz „Personalizacja”).

Pralka nie pobiera wody (Na wyświetlaczu pojawi się pulsujący napis „H2O”).

- Przewód doprowadzający wodę nie jest podłączony do kurka.
- Przewód jest zgięty.
- Kurek dopływu wody jest zamknięty.
- W domu nastąpiła przerwa w dostawie wody.
- Ciśnienie wody nie jest wystarczające.
- Nie został wciśnięty przycisk START/PAUSE.

Pralka cały czas pobiera i odprowadza wodę.

- Przewód odpływowy nie został zainstalowany na wysokości między 65 a 100 cm od podłogi (patrz „Instalacja”).
- Końcówka przewodu odpływowego jest zanurzona w wodzie (patrz „Instalacja”).
- Otwór odpływowy w ścianie nie posiada odpowietrznika.

Jeśli po sprawdzeniu tych możliwości problem nie zostanie rozwiązany, należy zamknąć kurek dopływu wody, wyłączyć pralkę i wezwać Serwis Techniczny. Jeśli mieszkanie znajduje się na najwyższych piętrach budynku, może wystąpić efekt syfonu, w wyniku którego pralka cały czas pobiera i odprowadza wodę. W celu wyeliminowania tej niedogodności należy zakupić specjalny zawór, zapobiegający powstawaniu efektu syfonu.

Pralka nie odprowadza wody i nie odwirowuje prania.

- Program nie przewiduje odprowadzania wody: w przypadku niektórych programów należy uruchomić je ręcznie.
- Przewód odpływowy jest zgięty (patrz „Instalacja”).
- Instalacja odpływowa jest zatkana.

Pralka mocno wibruje w fazie wirowania.

- Podczas instalacji pralki bęben nie został prawidłowo odblokowany (patrz „Instalacja”).
- Pralka nie jest właściwie wypoziomowana (patrz „Instalacja”).
- Pralka, zainstalowana pomiędzy meblami a ścianą, ma za mało miejsca (patrz „Instalacja”).

Z pralki wycieka woda.

- Przewód doprowadzający wodę nie jest dobrze przykręcony (patrz „Instalacja”).
- Szufladka na środki piorące jest zatkana (w celu jej oczyszczenia patrz „Utrzymanie i konserwacja”).
- Przewód odpływowy nie jest dobrze zamocowany (patrz „Instalacja”).

Kontrolki “Funkcje” i kontrolka “START/PAUSE” migają i jedna z kontrolek “faza w toku” jak i “BLOKADY OKRĄGLYCH DRZWICZEK” będą świeciły się w sposób ciągły.

- Wyłączyć maszynę i wyjąć wtyczkę z gniazdka, odczekać około 1 minuty, następnie włączyć ją ponownie. Jeśli problem nie ustępuje, należy wezwać Serwis Techniczny.

Tworzy się zbyt duża ilość piany.

- Środek piorący nie jest odpowiedni do pralek automatycznych (na opakowaniu musi być umieszczony napis: „do pralek”, „do prania ręcznego i w pralce” lub podobny).
- Użyto za dużo środka piorącego.

Serwis Techniczny

PL

Przed skontaktowaniem się z Serwisem Technicznym:

- Sprawdzić, czy problemu nie można rozwiązać samodzielnie (patrz „Nieprawidłowości w działaniu i sposoby ich usuwania”);
- Ponownie uruchomić program i sprawdzić, czy problem nie zniknął;
- Jeśli nie, zwrócić się do autoryzowanego Serwisu Technicznego, dzwoniąc pod numer podany w karcie gwarancyjnej.

! Nigdy nie wzywać nieautoryzowanych techników.

Należy podać:

- rodzaj nieprawidłowości;
- model maszyny (Mod.);
- numer seryjny (S/N).

Informacje te znajdują się na tabliczce umieszczonej w tylnej części pralki oraz widocznej z przodu po otwarciu drzwiczek.

ROZPORZĄDZENIE DELEGOWANE KOMISJI (UE) NR 1061/2010

Nazwa dostawcy	INDESIT
Nazwa modelu	IWD 81252 C ECO EU
Pojemność znamionowa w kg	8.0
Klasa efektywności energetycznej w skali od A+++ (niskie zużycie) do G (wysokie zużycie)	A++
Roczne zużycie energii w kWh rocznie ¹⁾	222.0
Zużycie energii w przypadku standardowego programu prania tkanin bawełnianych w 60 °C przy pełnym załadunku ²⁾	1.232
Zużycie energii w przypadku standardowego programu prania tkanin bawełnianych w 60 °C przy częściowym załadunku ²⁾	0.808
Zużycie energii w przypadku standardowego programu prania tkanin bawełnianych w 40 °C przy częściowym załadunku ²⁾	0.735
Zużycie energii w trybie wyłączenia	0.5
Zużycie energii w trybie czuwania	8.0
Roczne zużycie wody w litrach ³⁾	11374
Klasa efektywności wirowania w skali od A (najwyższa efektywność) do G (najniższa efektywność)	B
Maksymalna szybkość wirowania ⁴⁾	1200
Uzyskana wilgotność ⁵⁾	53%
Czas w min standardowego programu prania tkanin bawełnianych w 60 °C przy pełnym załadunku.	195
Czas w min standardowego programu prania tkanin bawełnianych w 60 °C przy częściowym załadunku.	165
Czas w min standardowego programu prania tkanin bawełnianych w 40 °C przy częściowym załadunku.	160
Czas trwania trybu czuwania	30
Poziom emitowanego hałasu podczas prania w dB(A) ⁶⁾	61
Poziom emitowanego hałasu podczas wirowania w dB(A) ⁶⁾	77
Model przeznaczony do zabudowy	

¹⁾ Standardowy program prania tkanin bawełnianych w 60 °C i „standardowy program prania tkanin bawełnianych w 40 °C” stanowią standardowe programy prania, do których odnoszą się informacje na etykiecie i w karcie, że są one odpowiednie do prania tkanin bawełnianych normalnie zabrudzonych oraz że są najbardziej efektywnymi programami pod względem łącznego zużycia energii i wody. Częściowy załadunek jest połową pełnego załadunku znamionowego.

²⁾ Na podstawie 220 standardowych cykli prania w przypadku programów prania tkanin bawełnianych w 60 °C i 40 °C przy pełnym i częściowym załadunku oraz zużyciu w trybach niskiego zużycia energii. Rzeczywiste zużycie energii zależy od sposobu użytkowania urządzenia.

³⁾ Na podstawie 220 standardowych cykli prania w przypadku programów prania tkanin bawełnianych w 60 °C i 40 °C przy pełnym i częściowym załadunku. Rzeczywiste zużycie wody zależy od sposobu użytkowania urządzenia.

⁴⁾ W przypadku standardowego programu prania tkanin bawełnianych w 60 °C przy pełnym załadunku oraz standardowego programu prania tkanin bawełnianych w 40 °C przy częściowym załadunku, w zależności od tego, która z tych wartości jest niższa.

⁵⁾ W przypadku standardowego programu prania tkanin bawełnianych w 60 °C przy pełnym załadunku lub standardowego programu prania tkanin bawełnianych w 40 °C przy częściowym załadunku, w zależności od tego, która z tych wartości jest wyższa.

⁶⁾ Na podstawie hałasu powstającego podczas faz prania i wirowania, w przypadku standardowego programu prania tkanin bawełnianych w 60 °C.

TR

Türkçe

IWD 81252

İçindekiler

Montaj, 38-39

Ambalajın çıkartılması ve seviye ayarı getirilmesi
Su ve elektrik bağlantıları
İlk yıkama
Teknik veriler

Bakım ve özen, 40

Su ve elektrik kesilmesi
Çamaşır makinesinin temizlenmesi
Deterjan haznesinin temizlenmesi
Kapak ve hazne bakımı
Pompanın temizlenmesi
Su besleme hortumunun kontrol edilmesi

Önlemler ve öneriler, 41

Genel güvenlik uyarıları
Atıkların tasfiye edilmesi

Çamaşır makinesinin tanımı ve programların çalıştırılması, 42-43

Kontrol paneli
Işıklı göstergeler
Bir programın başlatılması

Programlar, 44

Program tablosu

Kişisel ayarlar, 45

Sıcaklık ayarı
Sıkma hızı ayarı
Fonksiyonlar

Deterjan ve çamaşır, 46

Deterjan haznesi
Çamaşırın hazırlanması
Özel çamaşırlar
Yük dengeleme sistemi

Arızalar ve onarımlar, 47

Teknik Servis, 48

Montaj

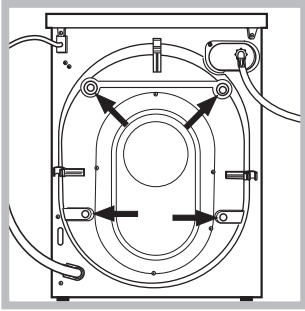
TR

! Bu kitapçığı gerektiği her an danışabilmeniz için özenle saklayınız. Çamaşır makinesinin satılması, devri veya nakli durumlarında da, yeni sahibinin faydalanabilmesi için bu kılavuz makineyle beraber saklanmalıdır.
! Talimatları dikkatlice okuyunuz; montaj, kullanım ve güvenliğe ilişkin önemli bilgiler içermektedir.

Ambalajın çıkartılması ve aynı seviyeye getirilmesi

Ambalajdan çıkartılması

1. Çamaşır makinesinin ambalajdan çıkartılması.
2. Çamaşır makinesinin taşıma esnasında hasar görmemiş olduğunu kontrol ediniz. Hasar görmüş ise monte etmeyiniz. Satıcıya başvurunuz.



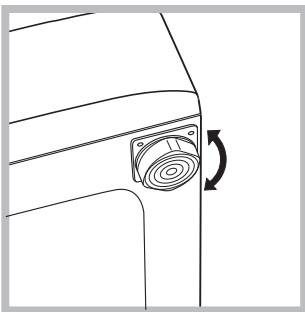
3. Taşıma sırasında arka tarafta bulunan 4 adet koruyucu vidayı ve ara parçasıyla birlikte buradaki lastiği de çıkartınız (bakınız şekil).

4. Delikleri ambalajda bulacağınız plastik kapaklarla kapayınız.
5. Tüm parçaları muhafaza ediniz: çamaşır makinesinin nakli gerektiği takdirde takılmaları gerekmektedir.

! Ambalajlar çocuk oyuncacı değildir.

Cihazın aynı seviyeye getirilmesi

1. çamaşır makinesini düz ve sert bir zemine yerleştiriniz, duvar veya mobilyalara dayamayınız.

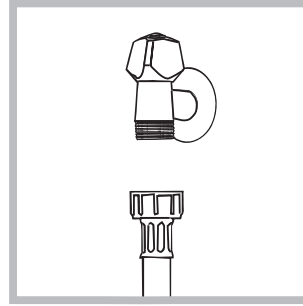


2. Yerleştirilecek zemin tam düz değilse çamaşır makinesinin vidalı ön ayaklarını sıkarak veya gevşeterek dengeyi sağlayınız (bkz. şekil); eğim açısı, makinenin üst tezgahına göre 2° den fazla olmamalıdır.

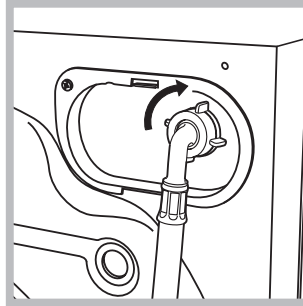
Sağlıklı bir dengeleme, çamaşır makinesine sağlam bir duruş kazandıracak gibi, çalışması esnasındaki sarsıntı, gürültü ve hareketlilikleri de önleyecektir. Zeminde moket veya halı olması halinde, ayarı makinenin altında havalandırma olabilecek şekilde yapınız .

Su ve elektrik bağlantıları

Su besleme hortumunun takılması



1. Tedarik borusunu 3/4 gaz vidalı bağlantı kullanarak bir soğuk su musluğuna bağlayın (bkz. şekil). Bağlantı öncesinde berrak su gelene kadar suyu akıtınız.



2. Besleme hortumunu arka kısımda üst sağ köşedeki su girişine vidalayarak çamaşır makinesine takınız (bkz. şekil).

3. Hortumda katlanma ve ezilme olmamasına dikkat ediniz.

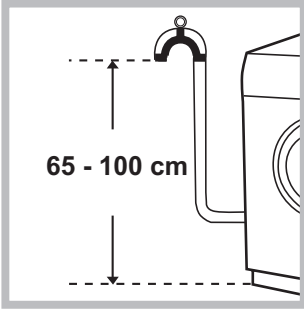
! Musluğun su basıncının Teknik Veriler tabelasında belirtildiği gibi olması gerekir (bkz. yan sayfa).

! Besleme hortumunun boyu yetersizse yetkili bir satıcı mağaza veya teknisyene başvurunuz.

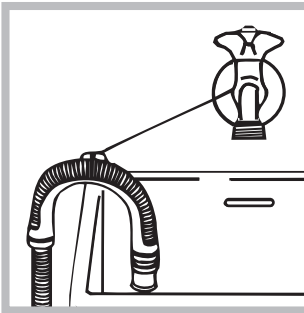
! Kesinlikle daha önceden kullanılmış hortum kullanmayınız.

! Makine ile birlikte verilen hortumları kullanınız.

Tahliye hortumunun takılması



Tahliye hortumunu, katlanmasını önleyerek, zemindeki veya yerden 65 ile 100 cm yükseklik arasındaki bir duvar tahliyesine takınız



veya mevcut olan kılavuzu çeşmeye bağlayarak lavabo ya da küvet kenarına yaslayınız (*bkz. şekil*). Tahliye hortumunun serbest ucunun suya girmemesi gerekir.

! Tahliye hortumu için ilave uzatma kullanılmaması tavsiye olunur; aksi mümkün değilse, uzatma hortumunun çapının da aynı olması ve 150 cm. den uzun olmaması gerekir.

Elektrik bağlantısı

Fişi prize takmadan evvel aşağıdaki hususlara dikkat ediniz:

- prizin topraklamasının yürürlükteki normlara uygun olmasına;
- prizin, makinenin Teknik Veriler tabelasında belirtilen, azami gücünü taşıyabilecek olmasına (*bkz. yan taraf*);
- şebeke geriliminin, Teknik Veriler tabelasında belirtilen değerlere uygun olmasına (*bkz. yan taraf*);
- prizin çamaşır makinesinin fişiyle uyumlu olmasına. Aksi takdirde fişi veya prizi değiştiriniz.

! Çamaşır makinesi, muhafazalı olsa bile açık alanda monte edilemez, çünkü rüzgara ve yağmura maruz kalması çok tehlikelidir.

! Monte edilen çamaşır makinesinin fişinin kolaylıkla erişilebilir olması gerekir.

! Uzatma kablosu ile çoklu prizler kullanmayınız.

! Kablonun ezilmemesi ve katlanmaması gerekir.

! Beslenme kablosunun yalnızca yetkili teknisyenler tarafından değiştirilmelidir.

Dikkat! Bu kurallara uyulmaması halinde firma hiç bir sorumluluk kabul etmemektedir.

İlk yıkama

Montajdan sonra, çamaşır koymaksızın deterjanla **2.** programı ayarlayarak yıkama yapınız.

Teknik bilgiler

Model	IWD 81252
Ölçüler	genişlik 59,5 cm yükseklik 85 cm derinlik 60 cm
Kapasite	1 - 8 kg
Elektrik bağlantıları	makine üstünde takılı olan teknik veriler plakasına bakınız.
Su bağlantıları	max. su basıncı 1 MPa (10 bar) min. su basıncı 0,05 MPa (0,5 bar) tambur kapasitesi 62 litre
Sıkma hızı	maksimum dakikada 1200 devire kadar
1061/2010 ve 1015/2010 sayılı direktiflere göre kontrol programları	Program 2: Pamuklu Standart 60°C. Program 3: Pamuklu Standart 40°C.



Bu makina aşağıda belirtilen AB normlarına uygundur:
- 2004/108/CE (Elektromanyetik Uyum)
- 2012/19/EU
- 2006/95/CE (Alçak gerilim)

Bakım ve özen

TR

Su ve elektrik kesilmesi

- Su musluğunu her yıkamadan sonra kapatınız. Böylece çamaşır makinesinin su tesisatının eskimesi engellenir, su kaçağı tehlikesi ortadan kalkar.
- Bakım ve temizlik işlemleri esnasında çamaşır makinesinin fişini çekiniz.

Çamaşır makinesinin temizlenmesi

Dış gövde ve plastik aksam ılık su ve sabunla ıslatılmış bir bez vasıtasıyla temizlenebilir. Çözücü ve aşındırıcı maddeler kullanmayınız.

Deterjan haznesinin temizlenmesi



Hazneyi kaldırarak, dışarıya doğru çekmek suretiyle çıkartınız (bkz. şekil). Akar su altında yıkayınız, bu çekmenin temizliği sık sık yapılmalıdır.

Kapak ve hazne bakımı

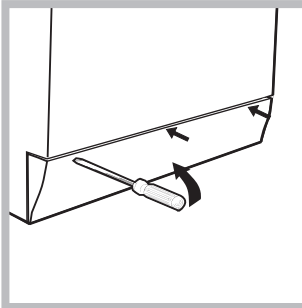
- Kötü kokuların oluşmasını engellemek için kapağı daima aralık bırakınız.

Pompanın temizlenmesi

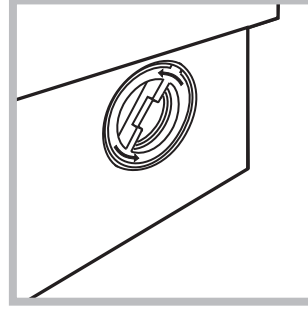
Çamaşır makinesinin pompası kendini temizleyen bir özelliğe sahip olup, ayrıca temizlik gerektirmez. Ancak, bazı küçük cisimler (madeni para, düğme) pompanın alt kısmındaki koruyucu bölmeye düşebilirler.

! Yıkama devresinin bitmiş olup olmadığını kontrol ediniz ve fişini çekiniz.

Pompa koruyucu bölgesine erişebilmek için:



1. çamaşır makinesinin ön kapama panelini, bir tornavida vasıtasıyla çıkartınız (bkz. şekil);



2. makine kapağını saatin ters yönünde çevirerek sökünüz (bkz. şekil). bir miktar su gelmesi normaldir;

3. içini dikkatlice temizleyiniz;
4. kapağı vidalayınız;
5. paneli takarken, tam yerleştirmeden evvel, kancaların yuvalara gelip gelmediğini kontrol ediniz.

Su besleme hortumunun kontrol edilmesi

Su besleme hortumunu, en azından senede bir defa kontrol ediniz. Yarık veya çatlaklar varsa değiştiriniz: yıkama esnasındaki yüksek basınçlar ani patlamalara yol açabilirler.

! Kesinlikle daha önceden kullanılmış hortum kullanmayınız.

! Çamaşır makinesi uluslararası güvenlik standartlarına uygun olarak projelendirilmiş ve üretilmiştir. Bu uyarılar güvenlik amaçlı olup dikkatlice okunmalıdır.

- Atık Elektrikli ve Elektronik Eşyaların (AEEE) Kontrolü Yönetmeliği.
- AEEE Yönetmeliğine uygundur.

TR

Genel güvenlik uyarıları

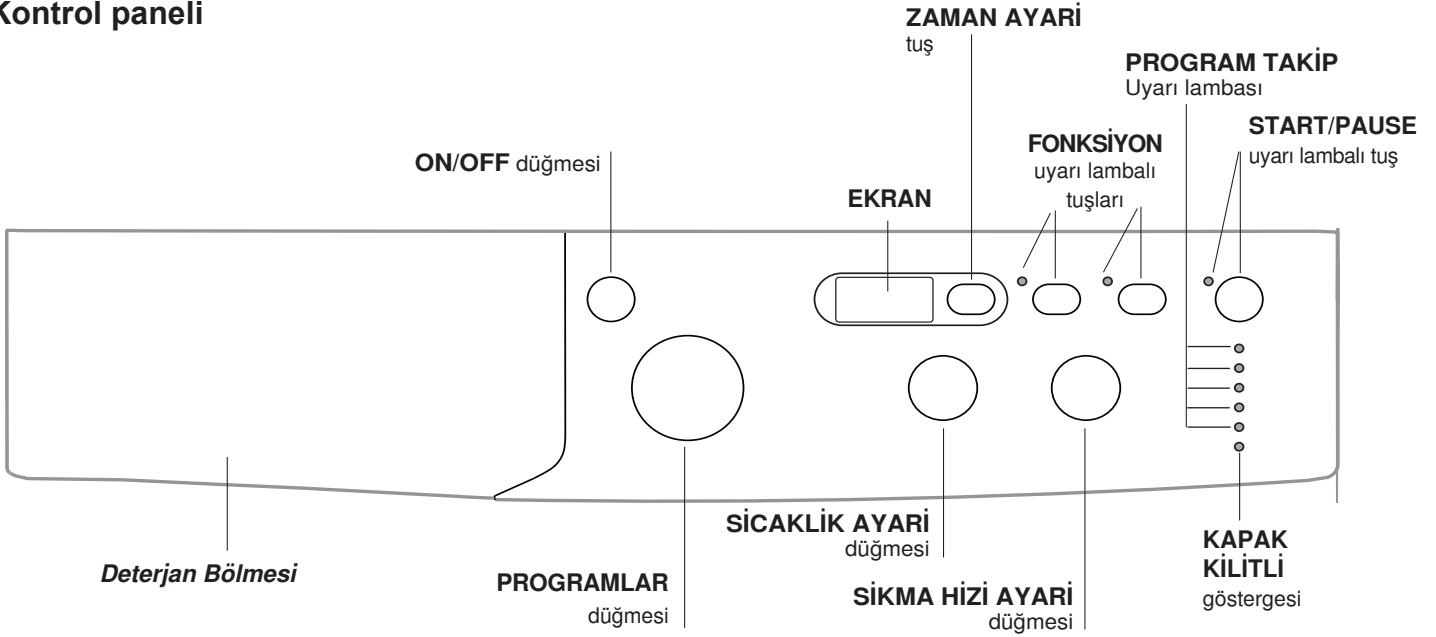
- Makine meskenlerde kullanılmak üzere tasarlanmış olup profesyonel kullanım amaçlı değildir.
- Bu cihaz, eğer gözetim altında bulunuyorlar ise veya güvenli şekilde ve ilişkin tehlikeler göz önünde bulundurularak, cihazın kullanımı hakkında uygun eğitim almışlar ise, 8 yaşından büyük çocuklar ve fiziksel, duyuşal veya mental kapasitelerden yoksun veya yetersiz tecrübe ve bilgiye sahip kişiler tarafından kullanılabilir. Çocuklar, cihaz ile oynamamalıdır. Bakım ve temizlik işlemleri, denetimsiz çocuklar tarafından gerçekleştirilmemelidir.
- Cihaza ayaklarınız çıplakken yada elleriniz veya ayaklarınız ıslak yada nemliyken dokunmayınız.
- Fişi prizden çekerken kablosundan değil fişin kendisinden tutarak çekiniz.
- Makine çalışırken deterjan haznesini açmayınız.
- Tahliye suyuna el sürmeyiniz, yüksek ısıda olabilir.
- Kapağı, hiçbir şekilde zorlamayınız: istenmedik açılmalara karşı olan güvenlik mekanizması arıza yapabilir.
- Arıza halinde onarmak amacıyla iç mekanizmaları kurcalamayınız.
- Çocukların çalışır vaziyetteki makineye yaklaşmalarına mani olunuz.
- Çalışma esnasında kapak ısınabilir.
- Taşınması gerektiğinde, bu işlemin, iki veya üç kişi tarafından, azami dikkatle yapılması gerekir. Kesinlikle tek başınıza yapmayınız, çünkü makine çok ağırdır.
- Çamaşırıkları yerleştirmeden evvel, sepetin boş olduğundan emin olunuz.

Atıkların tasfiye edilmesi

- Ambalaj malzemelerinin tasfiye edilmesi: yerel yasalara uyunuz, bu şekilde ambalajların geri dönüşümü mümkün olur.
- Elektrik ve elektronik cihazların atıklarını değerlendirme 2012/19/EU sayılı Avrupa Konseyi direktifinde; beyaz eşyaların kentsel katı atık genel yöntemi ile tasfiye edilmesinin öngörülmüştür. Kullanılmayan cihazların, madde geri kazanım ve geri dönüşüm oranını en yüksek seviyeye yükseltmek, çevre ve insan sağlığına olası zararları engellemek için ayrı ayrı toplanması gerekir. Tüm ürünlerin üzerinde; ayrı toplama hükümlerini hatırlatmak amacıyla üstünde çarpı işareti olan sepet sembolü verilmiştir. Cihazların tasfiye edilmesi konusunda daha geniş bilgi almak için cihaz sahiplerinin mevcut müşteri hizmetine veya satış noktalarına başvurulması gerekir.

Çamaşır makinesinin tanımı ve programların çalıştırılması

Kontrol paneli



Deterjan Bölmesi: ve diğer katkıları koyunuz ("Deterjanlar bölümüne" bakınız).

ON/OFF düğmesi: çamaşır makinesini çalıştırmak ve kapatmak için.


PROGRAMLAR uyarı lambalı tuşları: programları ayarlamak. Program esnasında düğme sabit kalır.

FONKSİYON düğmeleri: işlev seçimi için. Seçilen işlev düğmesinde ışıklı gösterge yanık kalır.

SIKMA HİZİ AYARI düğmesi: sıkma çalıştırmak veya durdurmak için (bkz. *Kişisel ayarlar bölümü*).

SICAKLIK AYARI düğmesi: istenen sıcaklığı veya soğuk suyla yıkamayı ayarlamak için (bkz. *Kişisel ayarlar bölümü*).


EKRAN: Mevcut programların süresini ve çalışan devrin kalan süresini görmek için; **ZAMAN AYARI** seçeneği ayarlanırsa, seçili programın başlangıcı için geri sayım görünecektir.

ZAMAN AYARI tuş : seçilen programı geciktirmeli çalıştırmak için basınız. Gecikme ekranda belirtilecektir

PROGRAM TAKİP uyarı lambası: yıkama programının aşamalarını görmek için. Uyarı lambası makinenin açık olduğunu gösterir.

KAPAK KİLİTLİ göstergesi: çamaşır makinesinin kapağının açılabilirliğini görmek için (bkz. *yan sayfa*).

START/PAUSE uyarı lambalı tuş: programları başlatmak yada geçici olarak durdurmak için.

Not: devrede olan bir programın beklemeye alınması için bu düğmeye basınız; turuncu renkli uyarı lambası yanıp sönecektir. **MAKİNE KAPAĞI KİLİTLİ**  uyarı lambası kapalı ise, kapak açılabilir (yaklaşık 3 dakika bekleyiniz). Yıkama programının kaldığı yerden devam etmesi için bu düğmeye tekrar basınız.

Bekleme modu





Yeni enerji tasarrufu düzenlemeleri ile uyumlu bu çamaşır makinesine herhangi bir faaliyet algılanmadığında 30 dakika içinde devreye sokulan otomatik bekleme sistemi yerleştirilmiştir ON/OFF düğmesine bir süre basın ve makinenin tekrar çalışmasını bekleyin.

Işıklı göstergeler

Işıklı göstergeler önemli bilgiler verir. İşte verdikleri bilgiler:

Program Takip uyarı lambası

İstenilen yıkama devresini seçtikten sonra çalışma esnasında ışıklı göstergeler sürekli yanarak yürütülmekte olan işlemi gösterecektir.

Yıkama	● 
Durulama	● 
Sıkma	● 
Su boşaltma	● 
Yıkama sonu	● END

FONKSİYON tuşları ve ilgili uyarı lambaları


Herhangi bir işlem seçildiğinde ilgili gösterge yanacaktır. Seçilen işlem yürütülen programla uyumlu olmadığı takdirde, ilgili gösterge yanıp sönecek ve işlem başlatılmayacaktır.

Seçilen fonksiyon ayarlanmış olan programla uyumlu olmadığı takdirde, ilk işlemlerle ilgili uyarı lambası yanıp sönecek ve etkinleştirilmiş işlem yanıp sönmeye sona erecektir.

KAPAK KİLİTLİ göstergesi

Gösterge ışığı açık olduğunda, yan kapak açılmaması için kilitletir; kapağı açmadan önce gösterge ışığının kapalı olduğundan emin olunuz (yaklaşık 3 dakika bekleyiniz). Devam eden yıkama devri sırasında kapağı açmak için, START/PAUSE düğmesine basınız; kapak KAPAK KİLİTLİ göstergesi ışığı söndüğünde açılabilir.

Bir programın başlatılması

1. ON/OFF tuşuna basarak çamaşır makinasını çalıştırınız. Tüm göstergeler bir an için yanacak sonra söneceklerdir.
2. Çamaşırı yerleştirip kapağı kapatınız.
3. PROGRAMLAR düğmesiyle istenen programı seçiniz.
4. Yıkama suyu sıcaklığını seçiniz (bkz. "Kişisel ayarlar").
5. Sıkma hız ayarını seçiniz (bkz. "Kişisel ayarlar").
6. Deterjan ve diğer katkıları koyunuz (Bkz. Deterjanlar ve çamaşırlar bölümü).
7. İstenilen işlevleri seçin.
8. START/PAUSE düğmesine basmak suretiyle programı çalıştırınız ve ilgili gösterge yeşil renkte yanık kalacaktır. Seçilen programı iptal etmek için makineyi beklemeye aldıktan sonra START/PAUSE tuşunu basılı tutarak yeni bir program seçiniz.
9. Program bitiminde END göstergesi yanmaya başlayacaktır. Kapak, KAPAK KİLİTLİ  göstergesi ışığı söndüğünde açılabilir (yaklaşık 3 dakika bekleyiniz). Çamaşırı çıkarınız ve içerisinde kuruması için kapağı hafif aralık bırakınız. ON/OFF tuşuna basarak çamaşır makinasını kapatınız.

Programlar

Program tablosu

Programlar	Program açıklaması	Maks. Isı derecesi (°C)	Maks Hız (Dakikada devir)	Deterjanlar			Maks yük (Kg)	Kalan nem %	Enerji tüketimi kWh	Toplam su lt	Devir süresi
				Önyıkama	Yıkama	Yumuşatıcı					
Günlük programlar (Daily)											
1	Ön yıkama pamuklular: aşırı kirli beyazlar.	90°	1200	●	●	●	8	53	2,86	98	195'
2	Pamuklu Standart 60°C (1): çok kirli dayanıklı beyaz ve renkliler.	60° (Max. 90°)	1200	-	●	●	8	53	1,23	55,0	195'
3	Pamuklu Standart 40°C (2): az kirli hassas renkli ve beyazlar.	40°	1200	-	●	●	8	53	1,01	84	180'
4	Sentetikler: çok kirli dayanıklı renkli çamaşırlar.	60°	800	-	●	●	4,5	46	1,03	60	115'
4	Sentetikler (3): az kirli dayanıklı renkli çamaşırlar.	40°	800	-	●	●	4,5	46	0,56	60	100'
5	Renkli pamuklular: az kirli beyazlar ve nazik renkliler.	40°	1200	-	●	●	8	53	0,83	63	100'
20° Zone											
6	Pamuklu Standart 20°C: az kirli hassas renkli ve beyazlar.	20°	1200	-	●	●	8	-	-	-	175'
7	Karma Hafif Kirli	20°	800	-	●	●	8	-	-	-	120'
8	20 dk. Havalandırma	20°	800	-	●	●	1,5	-	-	-	20'
Özel (Special)											
9	İpekliler/Perdeler: İpekli, viskoz ve iç çamaşırlar için kullanılır.	30°	0	-	●	●	2	-	-	-	65'
10	Yünlüler: yün ve kaşmir için kullanılır.	40°	800	-	●	●	2	-	-	-	85'
11	Blucin	40°	800	-	●	●	4	-	-	-	80'
Spor (Sport)											
12	Yoğun Spor Kıyafetler	30°	600	-	●	●	4	-	-	-	85'
13	Narin Spor Kıyafetler	30°	600	-	●	●	4	-	-	-	60'
14	Spor Ayakkabılar	30°	600	-	●	●	En fazla 2 çift	-	-	-	60'
Ek											
93	Durulama	-	1200	-	-	●	8	-	-	-	36'
94	Sıkma + Su boşaltma	-	1200	-	-	-	8	-	-	-	16'

Ekran veya kitapçık üzerinde gösterilen devre süresi, standart şartlara göre hesaplanmış tahmini bir süredir. Geçerli olan süre, girişteki sıcaklık derecesi ve suyun basıncı, ortam sıcaklığı, deterjan miktarı, yük miktarı ve tipi, yükün dengesi, seçilen ilave seçenekler gibi sayısız faktörlere göre değişiklik gösterebilmektedir.

1) 1061/2010 standartları uyarınca kontrol programları 60°C ve 2. programa ayarlayınız.

Bu devre, orta kirlilikteki pamuklu çamaşırları temizlemek için uygundur ve 60°C'de yıkanabilir çamaşırlar üzerinde kullanılacak, kombine enerji ve su tüketimi açısından en etkili devredir. Geçerli olan yıkama sıcaklık derecesi, belirtilen sıcaklık derecesinden farklı olabilir.

2) 1061/2010 standartları uyarınca kontrol programları 40°C ve 3. programa ayarlayınız.

Bu devre, orta kirlilikteki pamuklu çamaşırları temizlemek için uygundur ve 40°C'de yıkanabilir çamaşırlar üzerinde kullanılacak, kombine enerji ve su tüketimi açısından en etkili devredir. Geçerli olan yıkama sıcaklık derecesi, belirtilen sıcaklık derecesinden farklı olabilir.

Tüm Test Enstitüleri için:

2) Pamuklu uzun programı; 3 programda 40°C'ye ayarlayınız.

3) Sentetik programı boyunca: 40°C'lik bir sıcaklık ile 4 yıkama döngüsü ayarlamak

Yoğun Spor Kıyafetler (program 12) ağır lekeli spor kıyafetlerinin kumaşları (eşofman, şort, vb.) için kullanılır; en iyi sonuçlar için, "Program tablosu"nda gösterilen maksimum yükü geçmemeniz tavsiye edilir.

Narin Spor Kıyafetler (program 13): hafif lekeli spor kıyafetlerinin kumaşları (eşofman, şort, vb.) için kullanılır; en iyi sonuçlar için, "Program tablosu"nda gösterilen maksimum yükü geçmemeniz tavsiye edilir. Sıvı deterjan ve yarım yük doz kullanmanız tavsiye edilir.

Spor Ayakkabılar (program 14) spor ayakkabılarını yıkamak için kullanılır; en iyi sonuçlar için, aynı anda 2 çiftten fazla yıkamayınız.

20° programlar (20° Zone), çevre için bir avantaja ve ekonomik bir tasarrufa sahip daha az elektrik enerjisi kullanmayı sağlayarak, düşük sıcaklıklarda etkili yıkama performansları sunmaktadır.

20° programlar, tüm ihtiyaçlara cevap verir:

Pamuklu Standart 20°C (program 6) kirli pamuklu çamaşırlar için idealdir. 40°'de bir yıkama ile mukayese edilebilen, soğuk suda da etkili olan performanslar, yinelenen ve karşılaştırılan en yüksek hız varyasyonu ile çalışan mekanik bir hareket ile sağlanır.

20° Karma Hafif Kirli (program 7) orta kirlilikteki karışık çamaşırlar (pamuklu ve sentetikler) için idealdir. Soğuk suda da etkili yıkama performansları, orta ve belirli aralıklar üzerindeki hız varyasyonu ile çalışan mekanik bir hareket ile sağlanır.

20 dk. Havalandırma (program 8) kısa sürede hafif kirli çamaşırları yenilemek ve yıkamak için ideal olan devre.

Sadece 20 dakika sürer ve böylece zaman ve enerji tasarrufu sağlar. Farklı kumaş türünde çamaşırları bir arada yıkamak mümkündür (yünlüler ve ipekliler hariç) ve maksimum 1,5 kg çamaşır yüklenebilir.

Sıcaklık ayarı

Yıkama suyu ısısını SICAKLIK AYARI düğmesini çevirerek seçiniz (bkz. Program tablosu).

sıcaklık ayarı soğuk suyla yıkanacak seviyeye kadar düşürülebilir (❄️). Makine, seçilen program için öngörülenin üzerinde bir yıkama ısısını otomatik olarak uygulamayacaktır.

! İstisna: 2 programı seçildiğinde sıcaklık derecesi 90°C ye kadar yükseltilebilir.

Sıkma hızı ayarı

Seçilen programın SIKMA HIZI ayarı bu düğmenin çevrilmesiyle yapılır.

Programlar için öngörülen azami süratler şöyledir:

Programlar	Azami Sıkma hızı
Pamuklular	Dakikada 1200 devir
Sentetik kumaşlar	Dakikada 800 devir
Yünlüler	Dakikada 800 devir
İpekli	sadece boşaltma

Sıkma sürati azaltılabilir veya (⊘) işareti seçilerek devre dışı bırakılabilir.

Makine, her bir program için öngörülenin üzerinde bir sıkma hızını kabul etmez.

Fonksiyonlar

Çamaşır makinesince öngörülen muhtelif işlemler arzu edilen temizlik ve beyazlıktaki yıkamalara olanak sağlar.

İşlevleri çalıştırmak için:

1. istediğiniz işlev düğmesine basınız;
2. ilgili göstergenin yanması işlevin başladığını belirtir.

Not:

- Seçilen işlem yürütülen programla uyumlu olmadığı takdirde, ilgili gösterge yanıp sönecek ve işlev başlatılmayacaktır.
- Seçilen fonksiyon ayarlanmış olan programla uyumlu olmadığı takdirde, ilk işlemlerle ilgili uyarı lambası yanıp sönecek ve etkinleştirilmiş işlev yanıp sönmesi sona erecektir.

Zaman Ayarı

Seçilmiş olan programın gecikmeli başlamasını ayarlamak için istenilen gecikme süresi ayarlanıncaya kadar tuşa basınız. Bu opsiyon açık olduğunda ekranda (🕒) sembolü görüntülenecektir. Gecikmeli başlatmayı iptal etmek için ekranda OFF yazısı görüntüleninceye kadar tuşa basınız.

EcoTime

Bu seçeneği seçerek hafif lekeli pamuklu ve sentetik kumaşların ("Program tablosu"na bakınız) yükünü azaltmak için tambur yönünü, sıcaklık ve suyu uygun bir şekilde ayarlayabilirsiniz. "EcoTime" daha kısa sürede yıkamanızı ve dolayısıyla su ve elektrikten tasarruf etmenizi sağlar. Yük miktarına göre ölçülmüş sıvı deterjan kullanmanız tavsiye edilir.

Energy Saver

Energy Saver fonksiyonu, hem çevre hem de elektrikli giriş için bir avantaj olan - çamaşırıkları yıkamak için kullanılan suyu ısıtmadan enerji tasarrufuna katkıda bulunmaktadır. Aslına bakılırsa, güçlendirilmiş etki ve en iyi şekilde kullanılan su tüketimi ortalama standart bir devre süresinde mükemmel sonuçların elde edilmesini garanti etmektedir. Daha iyi yıkama sonuçları elde etmek için, sıvı deterjan kullanımı tavsiye edilmektedir.

Deterjanlar ve amařır

TR

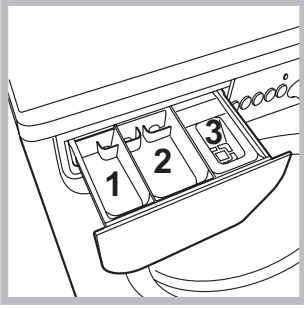
Deterjan haznesi

Yıkamanın iyi sonuç vermesi doğru dozda deterjan kullanılmasına da baęlıdır: aşırı deterjan kullanmak suretiyle daha temiz amařırlar elde edilemeyeceęi gibi makinenin aksamına zarar verilerek, evre kirlilięine sebebiyet verilir.

! Elde yıkama deterjanları kullanmayınız, ünkü aşırı köpük yaparlar.

! Beyaz pamuklu amařırlar, ön yıkama ve 60°C'den yüksek sıcaklık derecesi ile yıkamalar için toz deterjan kullanınız.

! Deterjan ambalajı üzerinde aktarılan bilgileri takip ediniz.



Deterjan haznesini açınız ve deterjan ile katkı maddelerini ařaęıdaki řekilde koyunuz.

hazne 1: Ön yıkama için deterjan (toz)

hazne 2: Yıkama için deterjan (toz veya likit)

Sıvı deterjan, yalnızca, makine alıřtırılmadan konulabilir.

hazne 3: Katkı maddeleri (yumuřatıcı, vs.)

Yumuřatıcı ızgara seviyesini ařmamalıdır

amařır hazırlanması

- amařırları ařaęıdaki gibi ayırınız:
 - kumař tipi / etiketteki iřaret.
 - renkler: renkli amařırları beyazlardan ayırınız.
- Ceplerini boşaltınız ve düęmeleri kontrol ediniz.
- Kurulama sırasında amařırın aęırlıęını gösteren "Programlar Tablosu"ndaki deęerleri ařmayın.


amařırların aęırlıęı nedir?

- 1 arřaf 400-500 gr.
- 1 yastık kılıfı 150-200 gr.
- 1 masa örtüsü 400-500 gr.
- 1 bornoz 900-1.200 gr.
- 1 havlu 150-250 gr.

Özel amařırlar

İpekliler: ipekli tüm dokumalar için tasarlanmış olan **9.** programın kullanılması tavsiye edilir. Hassas dokumalar için özel bir deterjan kullanılması önerilir.

Perdeler: katlayarak bir yastık kılıfı veya file içerisine yerleřtiriniz. **9.** programın kullanılması önerilir.

Yünlüler: tüm yünlü kıyafetler üzerinde "yalnızca elde yıkayın"  etiketi olsa bile program **10** kullanılarak yıkanabilir. En iyi sonuçlar için, özel deterjanlar kullanın ve 2 kg amařır geçmeyin.

Blucin: Yıkamadan önce kıyafetleri ters evirin ve sıvı deterjan kullanın. program **11**'i kullanın.

Yük dengeleme sistemi

Ařırı titremenin engellenmesi ve yükün düzenli daęılması için her sıkma devrinden önce iç sepet normal yıkama hızından biraz daha hızlı döner. Farklı řekillerde amařırları makineye doldurduktan sonra yük dengeli hale gelmediyse makine daha yavař bir sıkma devrini uygular. Yük ok dengelessiz ise amařır makinesi sıkma devrini gerekleřtirmeden amařırları daęıtır. Yükün daha iyi yerleřtirilmesi ve dengeli olması için küçük giysilerle büyük giysileri karıřtırınız.

Çamaşır makinesi çalışmıyor olabilir. Teknik Servise başvurmadan önce (*Teknik Servis bölümüne bakınız*) aşağıdaki liste yardımıyla kolay çözülebilecek bir problem olup olmadığını kontrol ediniz.

Arızalar:

Çamaşır makinesi çalışmıyor.

Olası nedenler / Çözümler:

- Fiş prize takılı değil veya tam temas etmiyor.
- Evde elektrik yok.

Yıkama işlemi başlamıyor.

- Makinanın kapağı tam kapanmamış.
- ON/OFF düğmesine basılmamış.
- START/PAUSE düğmesine basılmamış.
- Su musluğu açık değil.
- Gecikmeli başlatmada bir gecikme süresi ayarlanmış (*bkz. Kişisel ayarlar*).

Çamaşır makinesi su almıyor (ekranda "H2O" ibaresi yanıp söner).

- Su besleme hortumu musluğa takılı değil.
- Hortum bükülmüş.
- Su musluğu açık değil.
- Evde su kesik.
- Basınç yetersiz.
- START/PAUSE düğmesine basılmamış.

Çamaşır makinesi devamlı su alıp veriyor.

- Tahliye hortumu yerden 65 ile 100 cm arasında yerleştirilmemiş (*bkz. "Montaj"*).
- Tahliye hortumunun başı suya girmiş (*bkz. "Montaj"*).
- Duvardaki tahliyenin hava boşluğu yok.

Bu kontrollerden sonra olumlu sonuç alınamazsa, musluğu ve kapatıp, çamaşır makinesini durdurarak Servise haber veriniz. Daire, binanın üst katlarındaysa, sifon olayı meydana gelerek çamaşır makinesi devamlı su alıp, veriyor olabilir. Bu sorunun çözümü için piyasada sifon önleyici valfler satılmaktadır.

Çamaşır makinesi su boşaltmıyor veya santrifüj yapmıyor.

- Program su boşaltmayı öngörmüyor: bazı programlarda su boşaltma işlemini elle müdahale ederek başlatmak gerekir.
- Tahliye hortumu bükülmüş (*bkz. "Montaj"*).
- Tahliye kanalı tıkalı.

Çamaşır makinesi santrifüj esnasında aşırı sarsılıyor.

- Hazne, çamaşır makinesinin montajı esnasında düzgün çözülmemiş (*bkz. "Montaj"*).
- Çamaşır makinesinin bulunduğu zemin düz değil (*bkz. "Montaj"*).
- Çamaşır makinesi mobilyalarla duvar arasında sıkışmış (*bkz. "Montaj"*).

Çamaşır makinesi su kaçırıyor.

- Su giriş hortumu tam sıkılmamış (*bkz. "Montaj"*).
- Deterjan haznesi tıkanmış (temizlemek için *bkz. "Bakım ve özen"*).
- Tahliye hortumu düzgün takılmamış (*bkz. "Montaj"*).

"Safha işlemi sürüyor" göstergesi yanarken "Fonksiyonlar" göstergesi yanar ve "START/PAUSE" göstergesi yanıp söner ve "kapak kilitli" göstergesi sabit bir şekilde yanar.

- Makineyi kapatınız, prizden fişi çekiniz ve 1 dakika sonra tekrar açınız. Arıza çözülmüyorsa Teknik Servisine başvurunuz.

Aşırı köpük oluşuyor.

- Deterjan çamaşır makinesi için uygun değil ("çamaşır makinesi için", elde yıkama ve çamaşır makinesi için" veya benzer ibareler olmalıdır).
- Aşırı doz kullanıldı.

Teknik Servis

TR

Servise başvurmadan önce:

- Servise başvurmadan çözülebilecek bir arıza olup olmadığını kontrol ediniz ("Arızalar ve onarımlar" bölümüne bakınız);
- Programı tekrar başlatarak, sorunun çözümlü çözümediğini görünüz;
- Aksi takdirde, garanti belgesinde belirtilen telefon numaralarından teknik servisi arayınız.

! Kesinlikle, yetkili olmayan tamircilere müracaat etmeyiniz.

Şunları bildiriniz:

- arıza tipini;
- cihazın modeli (Mod.);
- seri numarası (S/N).

Bu bilgiler, çamaşır makinesinin arkasındaki plakada bulunurlar.

Cihazın ömrü 10 yıldır.

Tüm Türkiye'de; Yetkili Teknik Servis, Orijinal Yedek Parça, Bakım Ürünlerimiz ve Garanti ile ilgili bilgi için:

☎ 0 212 444 50 10

Ürün Verileri

Marka	INDESIT
Model	IWD 81252 C ECO EU
Kg cinsinden pamuklu kapasitesi	8.0
A+++ (düşük tüketim)'den G (yüksek tüketim)'e Enerji verimlilik sınıfı	A++
kWh cinsinden yıllık enerji tüketimi ¹⁾	222.0
Tam yükte standart 60 °C pamuklu programın kWh olarak enerji tüketimi ²⁾	1.232
Kısmi yükte standart 60 °C pamuklu programın kWh olarak enerji tüketimi ²⁾	0.808
Kısmi yükte standart 40 °C pamuklu programın kWh olarak enerji tüketimi ²⁾	0.735
W olarak off-mode'un güç tüketimi	0.5
W olarak left-on mode'un güç tüketimi	8.0
Litre olarak yıllık su tüketimi ³⁾	11374
G (minimum verimlilik)'den A (maksimum verimlilik)'ya santrifüjli kurutma verimliliği	B
Elde edilen maksimum devir hızı ⁴⁾	1200
Kalan nem içeriği ⁵⁾	53%
Tam yükte "standart 60 °C pamuklu programı"nın dakika olarak program süresi.	195
Kısmi yükte "standart 60 °C pamuklu programı"nın dakika olarak program süresi.	165
Kısmi yükte "standart 40 °C pamuklu programı"nın dakika olarak program süresi.	160
Dakika cinsinden left-on modunun süresi	30
Yıkamada dB(A) re 1 pW cinsinden gürültü ⁶⁾	61
Sıkma dB(A) re 1 pW cinsinden gürültü ⁶⁾	77
Ankastre model	

¹⁾ Tam yükte ve kısmi yükte "standart 60°C pamuklu" ve kısmi yükte "standart 40°C pamuklu" programları, etiketteki ve fişteki bilginin ilişkili olduğu yıkama programlarıdır. Standart 60°C pamuklu ve standart 40°C pamuklu programları, normal kirdaki pamuklu çamaşırları yıkamak için uygundur ve kombine enerji ve su tüketimi açısından en etkili programlardır. Kısmi yük, nominal yükün yarısıdır.

²⁾ 60°C ve 40°C'de tam yük ve kısmi yük ile pamuklu programlarda yapılmış 220 adet standart yıkamaya dayanarak kWh cinsinden yıllık enerji tüketimi, ve düşük-güç modlarının tüketimi. Gerçek enerji tüketimi cihazın nasıl kullanıldığına göre değişecektir.

³⁾ 60°C ve 40°C'de tam yük ve kısmi yük ile pamuklu programlarda yapılmış 220 adet standart yıkamaya dayanarak kWh cinsinden yıllık enerji tüketimi. Gerçek enerji tüketimi cihazın nasıl kullanıldığına göre değişecektir.

⁴⁾ Tam yük ve kısmi yükte standart 60 °C ya da kısmi yükte 40 °C için , hangisi daha düşükse.

⁵⁾ Tam yük ve kısmi yükte standart 60 °C ya da kısmi yükte 40 °C için elde edilen, hangisi daha yüksekse.

⁶⁾ Tam yükte 60 °C pamuklu program için yıkama ve sıkma evrelerine dayanarak.

İthalatçı Firma:

Indesit Company Beyaz Eşya PAZARLAMA A.Ş.
Balmumcu Cad. Karahasan Sok.
No: 11, 34349 – Balmumcu Beşiktaş – İstanbul
Tel: (0212) 355 53 00

Üretici Firma:

Indesit Company Spa
Viale Aristide Merloni, 47
60044 Fabriano Italy
Tel: +39 0732 66 11

GR

Ελληνικά

IWD 81252

Περιεχόμενα

Εγκατάσταση, 50-51

Αποσυσκευασία και οριζοντίωση
Υδραυλικές και ηλεκτρικές συνδέσεις
Πρώτος κύκλος πλυσίματος
Τεχνικά στοιχεία

Συντήρηση και φροντίδα, 52

Αποκλεισμός νερού και ηλεκτρικού ρεύματος
Καθαρισμός του πλυντηρίου
Καθαρισμός του συρταριού απορρυπαντικών
Φροντίδα της πόρτας και του κάδου
Καθαρισμός της αντλίας
Έλεγχος του σωλήνα τροφοδοσίας του νερού

Προφυλάξεις και συμβουλές, 53

Γενική ασφάλεια
Διάθεση

Περιγραφή του πλυντηρίου και εκκίνηση ενός προγράμματος, 54-55

Πίνακας ελέγχου
Ενδεικτικά φωτάκια
Εκκίνηση ενός προγράμματος

Προγράμματα, 56

Πίνακας των Προγραμμάτων

Εξατομικεύσεις, 57

Θέστε τη θερμοκρασία
Θέστε το στύψιμο
Λειτουργίες

Απορρυπαντικά και μπουγάδα, 58

Θήκη απορρυπαντικών
Προετοιμασία της μπουγάδας
Ειδικά ρούχα
Σύστημα ισοστάθμισης του φορτίου

Ανωμαλίες και λύσεις, 59

Υποστήριξη, 60

Εγκατάσταση

GR

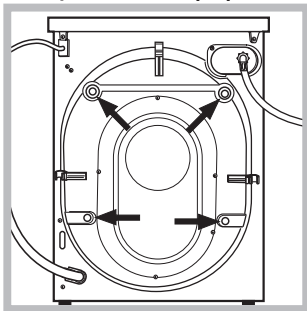
! Είναι σημαντικό να διατηρήσετε το εγχειρίδιο αυτό για να μπορείτε να το συμβουλευέστε οποιαδήποτε στιγμή. Σε περίπτωση πώλησης, παραχώρησης ή μετακόμισης, βεβαιωθείτε ότι παραμένει μαζί με το πλυντήριο για να πληροφορεί τον νέο ιδιοκτήτη για τη λειτουργία και τις σχετικές προειδοποιήσεις.

! Διαβάστε προσεκτικά τις οδηγίες: υπάρχουν σημαντικές πληροφορίες για την εγκατάσταση, τη χρήση και την ασφάλεια.

Αποσυσκευασία και οριζόντιωση

Αποσυσκευασία

1. Αποσυσκευάστε το πλυντήριο.
2. Ελέγξτε αν το πλυντήριο έχει υποστεί ζημιές κατά τη μεταφορά. Αν έχει υποστεί ζημιές μην το συνδέετε και επικοινωνήστε με τον μεταπωλητή.



3. Αφαιρέστε τις 4 βίδες προστασίας για τη μεταφορά και το λαστιχάκι με το σχετικό διαχωριστικό, που βρίσκονται στο πίσω μέρος (βλέπε εικόνα).

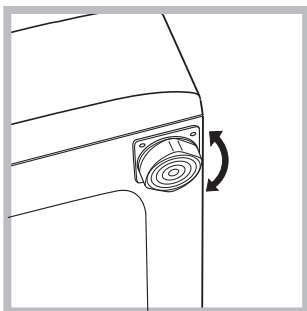
4. Κλείστε τις οπές με τα πλαστικά πώματα που σας παρέχονται.

5. Διατηρείστε και τα τρία τεμάχια: αν το πλυντήριο χρειαστεί να μεταφερθεί, θα πρέπει να ξαναμονταριστούν.

! Οι συσκευασίες δεν είναι παιχνίδια για μικρά παιδιά.

Ευθυγράμμιση

1. Εγκαταστήστε το πλυντήριο σε ένα δάπεδο επίπεδο και ανθεκτικό, χωρίς να το ακουμπήσετε σε τοίχους, έπιπλα ή άλλο.

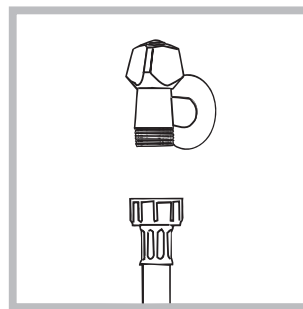


2. Αν το δάπεδο δεν είναι απόλυτα οριζοντιωμένο, αντισταθμίστε τις ανωμαλίες βιδώνοντας ή ξεβιδώνοντας τα πρόσθια ποδαράκια (βλέπε εικόνα). Η γωνία κλίσης, μετρημένη στην επιφάνεια εργασίας, δεν πρέπει να ξεπερνάει τις 2°.

Μια φροντισμένη οριζόντιωση προσδίδει σταθερότητα στη μηχανή και αποσοβεί δονήσεις, θορύβους και μετατοπίσεις κατά τη λειτουργία. Σε περίπτωση μοκέτας ή τάπητα, ρυθμίστε τα ποδαράκια έτσι ώστε να υφίσταται κάτω από το πλυντήριο αρκετός χώρος για τον αερισμό.

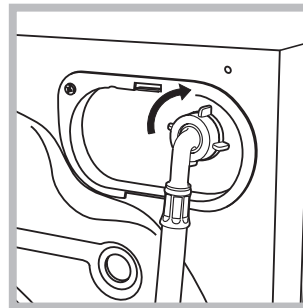
Υδραυλικές και ηλεκτρικές συνδέσεις

Σύνδεση του σωλήνα τροφοδοσίας του νερού



1. Συνδέστε το σωλήνα τροφοδοσίας βιδώνοντάς τον σε ένα κρουνοό κρύου νερού με στόμιο σπειρώματος 3/4 gas (βλέπε εικόνα). Πριν τη σύνδεση, αφήστε να τρέξει το νερό μέχρι να γίνει

διαυγές.



2. Συνδέστε το σωλήνα τροφοδοσίας στο πλυντήριο βιδώνοντάς τον στην αντίστοιχη είσοδο νερού, στο πίσω μέρος επάνω δεξιά (βλέπε εικόνα).

3. Προσέξτε ώστε στο σωλήνα να μην υπάρχουν ούτε πτυχώσεις, ούτε στενώσεις.

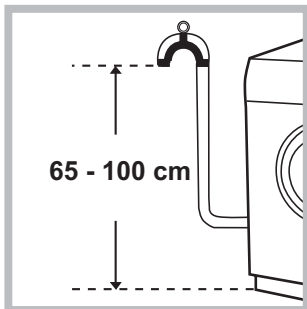
! Η πίεση νερού του κρουνοού πρέπει να κυμαίνεται μεταξύ των τιμών του πίνακα Τεχνικά στοιχεία (βλέπε σελίδα δίπλα).

! Αν το μήκος του σωλήνα τροφοδοσίας δεν επαρκεί, απευθυνθείτε σε ένα ειδικευμένο κατάστημα ή σε ένα εξουσιοδοτημένο τεχνικό.

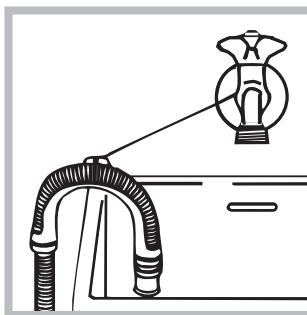
! Μη χρησιμοποιείτε ποτέ χρησιμοποιημένους σωλήνες.

! Χρησιμοποιείτε εκείνους που σας παρέχονται με τη μηχανή.

Σύνδεση του σωλήνα αδειάσματος



Συνδέστε αδειάσματος, χωρίς να τον διπλώσετε, σε έναν αγωγό εκκένωσης ή σε μια επιτοίχια αποχέτευση σε απόσταση από 65 έως 100 cm από το έδαφος.



Διαφορετικά αποθέστε τον στο χείλος ενός νιπτήρα ή μιας λεκάνης, δένοντας τον οδηγό που σας παρέχεται στον κρουνο (βλέπε εικόνα). Το ελεύθερο άκρο του σωλήνα αδειάσματος δεν πρέπει να παραμένει

βυθισμένο στο νερό.

! Δεν συνιστάται η χρήση προεκτάσεων σωλήνων. Αν απαιτείται, η προέκταση πρέπει να έχει την ίδια διάμετρο του αρχικού σωλήνα και να μην ξεπερνάει τα 150 cm.

Ηλεκτρική σύνδεση

Πριν εισάγετε το βύσμα στην ηλεκτρική πρίζα, βεβαιωθείτε ότι:

- η πρίζα διαθέτει γείωση και τηρεί τις εκ του νόμου προδιαγραφές.
- Η πρίζα να είναι σε θέση να υποφέρει το μέγιστο φορτίο ισχύος της μηχανής, που αναφέρεται στον πίνακα Τεχνικών στοιχείων (βλέπε δίπλα).
- Η τάση τροφοδοσίας να κυμαίνεται μεταξύ των τιμών που αναφέρονται στον πίνακα Τεχνικών στοιχείων (βλέπε δίπλα).
- Η πρίζα να είναι συμβατή με το βύσμα του πλυντηρίου. Σε αντίθετη περίπτωση, αντικαταστήστε την πρίζα ή το βύσμα.

! Το πλυντήριο δεν εγκαθίσταται σε ανοιχτό χώρο, ακόμη και αν ο χώρος είναι καλυμμένος, διότι είναι πολύ επικίνδυνο να το αφήνετε εκτεθειμένο σε βροχή και κακοκαιρία.

! Με την εγκατάσταση του πλυντηρίου, η πρίζα ρεύματος πρέπει να είναι εύκολα προσβάσιμη.

! Μη χρησιμοποιείτε προεκτάσεις και πολύπριζα.



! Το καλώδιο δεν πρέπει να φέρει πτυχές ή να είναι συμπιεσμένο.

! Το καλώδιο τροφοδοσίας πρέπει να αντικαθίσταται μόνο από εξουσιοδοτημένους τεχνικούς.

Προσοχή! Η επιχείρηση αποποιείται κάθε ευθύνης σε περίπτωση που δεν τηρούνται αυτοί οι κανόνες.

Πρώτος κύκλος πλυσίματος

Μετά την εγκατάσταση, πριν τη χρήση, διενεργήστε ένα κύκλο πλυσίματος με απορρυπαντικό και χωρίς ρούχα θέτοντας το πρόγραμμα 2.

Τεχνικά στοιχεία	
Μοντέλο	IWD 81252
Διαστάσεις	πλάτος cm 59,5 ύψος cm 85 βάθος cm 60
Χωρητικότητα	από 1 έως 8 kg
Ηλεκτρικές συνδέσεις	Βλέπε την πινακίδα χαρακτηριστικών επί της μηχανής
Συνδέσεις νερού	μέγιστη πίεση 1 MPa (10 bar) Ελάχιστη πίεση 0,05 MPa (0,5 bar) χωρητικότητα του κάδου 62 λίτρα
Ταχύτητα στυψίματος	μέχρι 1200 στροφές το λεπτό
Προγράμματα ελέγχου σύμφωνα με τις οδηγίες 1061/2010 και 1015/2010	πρόγραμμα 2; κανονικό πρόγραμμα για βαμβακερά στους 60°C. πρόγραμμα 3; κανονικό πρόγραμμα για βαμβακερά στους 40°C.
 	Η συσκευή αυτή είναι σύμφωνη με τις ακόλουθες Κοινοτικές Οδηγίες: - 2004/108/CE (Ηλεκτρομαγνητική Συμβατότητα) - 2012/19/EU - 2006/95/CE (Χαμηλή Τάση)

Συντήρηση και φροντίδα

GR

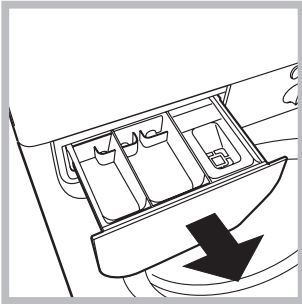
Αποκλεισμός νερού και ηλεκτρικού ρεύματος

- Κλείνετε τον κρουνο του νερού μετά από κάθε πλύσιμο. Έτσι περιορίζεται η φθορά της υδραυλικής εγκατάστασης του πλυντηρίου και αποσοβείται ο κίνδυνος απωλειών.
- Να βγάζετε το βύσμα από το ρεύμα όταν καθαρίζετε το μηχάνημα και κατά τις εργασίες συντήρησης.

Καθαρισμός του πλυντηρίου

Το εξωτερικό μέρος και τα λαστιχένια μέρη μπορούν να καθαρίζονται με ένα πανί βρεγμένο με χλιαρό νερό και σαπούνι. Μη χρησιμοποιείτε διαλύτες ή αποξυστικά.

Καθαρισμός του συρταριού απορρυπαντικών



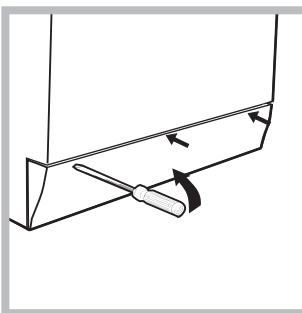
Τραβήξτε το συρτάρι ανασηκώνοντάς το και τραβώντας το προς τα έξω (βλέπε εικόνα). Πλένετέ το κάτω από τρεχούμενο νερό. Ο καθαρισμός αυτός διενεργείται συχνά.

Φροντίδα της πόρτας και του κάδου

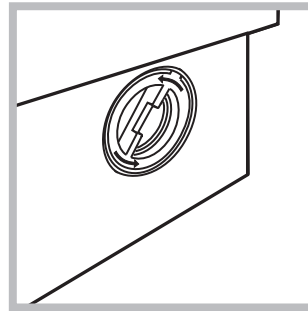
- Να αφήνετε πάντα μισόκλειστη την πόρτα για να μην παράγονται δυσοσμίες.

Καθαρισμός της αντλίας

Το πλυντήριο διαθέτει μια αντλία αυτοκαθαριζόμενη που δεν χρειάζεται συντήρηση. Μπορεί, όμως, να τύχει να πέσουν μικρά αντικείμενα (κέρματα, κουμπιά) στον προθάλαμο που προστατεύει την αντλία, που βρίσκεται στο κάτω μέρος αυτής.
! Βεβαιωθείτε ότι ο κύκλος πλυσίματος έχει τελειώσει και βγάλτε το βύσμα.



Για να έχετε πρόσβαση στον προθάλαμο:
1. αφαιρέστε το ταμπλό κάλυψης στο πρόσθιο πλευρό του πλυντηρίου με τη βοήθεια ενός κατσαβιδιού (βλέπε εικόνα).



2. Ξεβιδώστε το καπάκι στρέφοντάς το αριστερόστροφα (βλέπε εικόνα): είναι φυσικό να βγαίνει λίγο νερό.

3. καθαρίστε επιμελώς το εσωτερικό.
4. ξαναβιδώστε το καπάκι.
5. ξαναμοντάρετε το πάνελ όντας σίγουροι, πριν το σπρώξετε προς τη μηχανή, ότι έχετε εισάγει τα γαντζάκια στις αντίστοιχες εσοχές.

Έλεγχος του σωλήνα τροφοδοσίας του νερού

Ελέγχετε το σωλήνα τροφοδοσίας τουλάχιστον μια φορά ετησίως. Αν παρουσιάζει σκασίματα και σχισμές αντικαθίσταται: κατά τα πλυσίματα οι ισχυρές πιέσεις θα μπορούσαν να προκαλέσουν αναπάντεχα σπασίματα.

! Μη χρησιμοποιείτε ποτέ χρησιμοποιημένους σωλήνες.

! Το πλυντήριο σχεδιάστηκε και κατασκευάστηκε σύμφωνα με τους διεθνείς κανόνες ασφαλείας. Αυτές οι προειδοποιήσεις παρέχονται για λόγους ασφαλείας και πρέπει να διαβάζονται προσεκτικά.

Γενική ασφάλεια

- Η συσκευή αυτή σχεδιάστηκε αποκλειστικά για οικιακή χρήση.
- Η συσκευή αυτή μπορεί να χρησιμοποιηθεί από παιδιά άνω των 8 ετών και από άτομα με μειωμένες φυσικές, αισθητηριακές ή νοητικές ικανότητες ή με εμπειρία και γνώσεις ανεπαρκείς, αν επιτηρούνται ή αν έχουν δεχτεί κατάλληλη εκπαίδευση σχετικά με τη χρήση της συσκευής με τρόπο ασφαλή και κατανοώντας τους σχετικούς κινδύνους. Τα παιδιά δεν πρέπει να παίζουν με τη συσκευή. Συντήρηση και καθαρισμός δεν πρέπει να διενεργούνται από παιδιά χωρίς επιτήρηση.
- Μην αγγίζετε το μηχάνημα με γυμνά πόδια ή με τα χέρια ή τα πόδια βρεγμένα.
- Μην βγάζετε το βύσμα από την ηλεκτρική πρίζα τραβώντας το καλώδιο, αλλά να πιάνετε την πρίζα.
- Μην ανοίγετε το συρταράκι απορρυπαντικών ενώ το μηχάνημα είναι σε λειτουργία.
- Μην αγγίζετε το νερό αδειάσματος, αφού μπορεί να φτάσει σε υψηλές θερμοκρασίες.
- Μην ζορίζετε σε καμία περίπτωση την πόρτα: θα μπορούσε να χαλάσει ο μηχανισμός ασφαλείας που προστατεύει από τυχαία ανοίγματα.
- Σε περίπτωση βλάβης, σε καμία περίπτωση να μην επεμβαίνετε στους εσωτερικούς μηχανισμούς προσπαθώντας να την επισκευάσετε.
- Να ελέγχετε πάντα τα παιδιά να μην πλησιάζουν στο μηχάνημα σε λειτουργία.
- Κατά το πλύσιμο η πόρτα τείνει να θερμαίνεται.
- Αν πρέπει να μετατοπιστεί, συνεργαστείτε δύο ή τρία άτομα με τη μέγιστη προσοχή. Ποτέ μόνοι σας γιατί το μηχάνημα είναι πολύ βαρύ.
- Πριν εισάγετε τη μπουγάδα ελέγξτε αν ο κάδος είναι άδειος.

Διάθεση

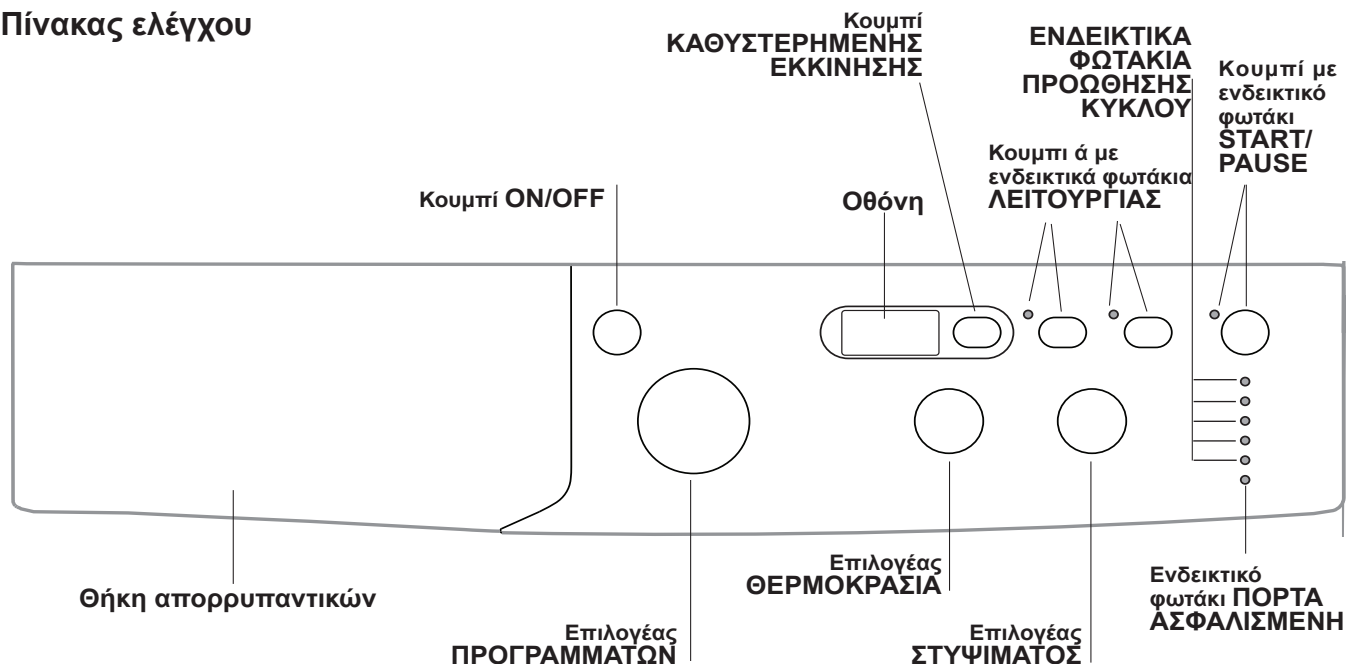
- Διάθεση του υλικού συσκευασίας: τηρείτε τους τοπικούς κανονισμούς, ώστε οι συσκευασίες να μπορούν να επαναχρησιμοποιηθούν.
- Η ευρωπαϊκή οδηγία 2012/19/EU για τα Απόβλητα Ηλεκτρικού και Ηλεκτρονικού Εξοπλισμού, απαιτεί ότι οι παλαιές οικιακές ηλεκτρικές συσκευές δεν πρέπει να αποβάλλονται μαζί με τα υπόλοιπα απόβλητα του δημοτικού δικτύου. Οι παλαιές συσκευές πρέπει να συλλεχθούν χωριστά προκειμένου να βελτιστοποιηθούν η αποκατάσταση και η ανακύκλωση των υλικών που περιέχουν και με σκοπό τη μείωση

των βλαβερών επιπτώσεων στην ανθρώπινη υγεία και το περιβάλλον. Το σύμβολο με το διεγγραμμένο “δοχείο αποβλήτων” στο προϊόν υπενθυμίζει σε σας την υποχρέωσή σας, πως όταν επιθυμείτε να πετάξετε τη συσκευή, πρέπει να συλλεχθεί χωριστά.

Οι καταναλωτές θα πρέπει να απευθύνονται στις τοπικές αρχές ή στα καταστήματα λιανικής για πληροφορίες που αφορούν τη σωστή διάθεση των παλαιών ηλεκτρικών συσκευών.

Περιγραφή του πλυντηρίου και εκκίνηση ενός προγράμματος

Πίνακας ελέγχου



Θήκη απορρυπαντικών: για την προσθήκη απορρυπαντικών και πρόσθετων (βλέπε «Απορρυπαντικά και μπουγάδα»).

Κουμπι ON/OFF: Για να ανάψετε ή να σβήσετε το πλυντήριο.


Επιλογέας ΠΡΟΓΡΑΜΜΑΤΩΝ: για να θέσετε τα προγράμματα. Κατά τη διάρκεια του προγράμματος ο επιλογέας παραμένει ακίνητος.

Κουμπι με ενδεικτικά φωτάκια ΛΕΙΤΟΥΡΓΙΑΣ: για να επιλέξετε τις διαθέσιμες λειτουργίες. Το σχετικό με την επιλεγείσα λειτουργία ενδεικτικό φωτάκι θα παραμείνει αναμμένο.

Επιλογέας ΣΤΥΨΙΜΑΤΟΣ: για να θέσετε το στύψιμο ή να το αποκλείσετε (βλέπε «Εξατομικεύσεις»).

Επιλογέας ΘΕΡΜΟΚΡΑΣΙΑ: για να θέσετε τη θερμοκρασία ή το πλύσιμο σε κρύο νερό (βλέπε «Εξατομικεύσεις»).


Οθόνη: για την απεικόνιση της διάρκειας των διαφόρων διαθέσιμων προγραμμάτων και αφού έχει εκκινηθεί ο κύκλος, του υπολειπόμενου χρόνου για το τέλος αυτού. Στην περίπτωση που έχει τεθεί μια **ΚΑΘΥΣΤΕΡΗΜΕΝΗ ΕΚΚΙΝΗΣΗ**, απεικονίζεται ο χρόνος που υπολείπεται στην εκκίνηση του επιλεγμένου προγράμματος.

Κουμπι ΚΑΘΥΣΤΕΡΗΜΕΝΗΣ ΕΚΚΙΝΗΣΗΣ : Πατήστε για να θέσετε μια εκκίνηση με υστέρηση του προεπιλεγμένου προγράμματος. Η υστέρηση εμφανίζεται στην οθόνη.

ΕΝΔΕΙΚΤΙΚΑ ΦΩΤΑΚΙΑ ΠΡΟΩΘΗΣΗΣ ΚΥΚΛΟΥ: για να ακολουθείτε την κατάσταση προόδου του προγράμματος πλυσίματος. Το αναμμένο ενδεικτικό φωτάκι δείχνει την σε εξέλιξη φάση.

Ενδεικτικό φωτάκι ΠΟΡΤΑ ΑΣΦΑΛΙΣΜΕΝΗ: για να καταλάβετε αν η πόρτα ανοίγει (βλέπε σελίδα δίπλα).

Κουμπι με ενδεικτικό φωτάκι START/PAUSE: για την εκκίνηση των προγραμμάτων ή την προσωρινή διακοπή τους.

ΣΗΜΕΙΩΣΗ: για να θέσετε σε παύση το σε εξέλιξη πλύσιμο, πιέστε το κουμπι αυτό, το σχετικό ενδεικτικό φωτάκι θα ανάψει με πορτοκαλί χρώμα ενώ εκείνο της σε εξέλιξης φάσης θα είναι συνεχώς αναμμένο. Αν το ενδεικτικό φωτάκι ΠΟΡΤΑ ΑΣΦΑΛΙΣΜΕΝΗ  σβήσει, μπορείτε να ανοίξετε την πόρτα (περιμένετε 3 λεπτά περίπου). Για να ξεκινήσει πάλι το πλύσιμο από το σημείο διακοπής, πατήστε εκ νέου το κουμπι αυτό.

Τρόπος stand by

Το πλυντήριο αυτό, σύμφωνα με τις νέες διατάξεις για την εξοικονόμηση ενέργειας, διαθέτει ένα σύστημα αυτόματου σβησίματος (stand by) που τίθεται σε λειτουργία εντός 30 λεπτών στην περίπτωση μη χρήσης. Πιέστε στιγμιαία το κουμπι ON/OFF και περιμένετε να ενεργοποιηθεί εκ νέου η μηχανή.





Ενδεικτικά φωτάκια

Τα ενδεικτικά φωτάκια παρέχουν σημαντικές πληροφορίες.

Να τι μας λένε:

Ενδεικτικά φωτάκι φάσης σε εξέλιξη

Κατά τον επιθυμητό κύκλο πλυσίματος, τα ενδεικτικά φωτάκια θα ανάψουν προοδευτικά για να δείξουν την κατάσταση προώθησης:

Πλύσιμο	● 
Ξέβγαλμα	● 
Στύψιμο	● 
Άδειασμα	● 
Τέλος Πλυσίματος	● END

Κουμπιά λειτουργίας και σχετικά ενδεικτικά φωτάκια
Επιλέγοντας μια λειτουργία το σχετικό ενδεικτικό φωτάκι θα φωτιστεί.


Αν η επιλεγμένη λειτουργία δεν είναι συμβατή με το τεθέν πρόγραμμα το σχετικό ενδεικτικό φωτάκι θα αναβοσβήνει και η λειτουργία δεν θα ενεργοποιηθεί.

Αν η επιλεγμένη λειτουργία δεν είναι συμβατή με μια άλλη που επελέγη προηγουμένως, το σχετικό φωτάκι της πρώτης επιλεγμένης λειτουργίας θα αναβοσβήνει και θα ενεργοποιηθεί μόνο η δεύτερη, το ενδεικτικό φωτάκι της ενεργοποιηθείσας λειτουργίας θα φωτιστεί.

Ενδεικτικό φωτάκι ασφαλισμένης πόρτας

Το αναμμένο ενδεικτικό φωτάκι δείχνει ότι η πόρτα είναι μπλοκαρισμένη για να αποφευχθεί το άνοιγμα. Για να ανοίξετε την πόρτα πρέπει το ενδεικτικό φωτάκι να είναι σβηστό (περιμένετε 3 λεπτά περίπου). Για να ανοίξετε την πόρτα ενώ είναι σε εξέλιξη ένας κύκλος πιάστε το κουμπί START/PAUSE. Αν το ενδεικτικό φωτάκι ΠΟΡΤΑ ΑΣΦΑΛΙΣΜΕΝΗ είναι σβηστό μπορείτε να ανοίξετε την πόρτα.

Εκκίνηση ενός προγράμματος

1. Ανάψτε το πλυντήριο πιέζοντας το κουμπί ON/OFF. Όλα τα ενδεικτικά φωτάκια θα ανάψουν μερικά δευτερόλεπτα, μετά θα σβήσουν και θα πάλλεται το ενδεικτικό φωτάκι START/PAUSE.
2. Φορτώστε τη μπουγάδα και κλείστε την πόρτα.
3. Θέστε με τον επιλογέα ΠΡΟΓΡΑΜΜΑΤΩΝ το επιθυμητό πρόγραμμα.
4. Θέστε τη θερμοκρασία πλυσίματος (βλέπε «Εξατομικεύσεις»).
5. Θέστε την ταχύτητα στύψιματος (βλέπε «Εξατομικεύσεις»).
6. Χύστε απορρυπαντικό και πρόσθετα (βλέπε «Απορρυπαντικά και μπουγάδα»).
7. Επιλέξτε τις διαθέσιμες λειτουργίες.
8. Εκκινήστε το πρόγραμμα πιέζοντας το κουμπί START/PAUSE και το σχετικό ενδεικτικό φωτάκι θα παραμείνει αναμμένο συνεχώς με πράσινο χρώμα. Για να ακυρώσετε τον τεθέντα κύκλο θέστε τη μηχανή σε παύση πιέζοντας το κουμπί START/PAUSE και επιλέξτε ένα νέο κύκλο.
9. Στο τέλος του προγράμματος θα φωτιστεί το ενδεικτικό φωτάκι END. Όταν η ενδεικτική λυχνία ΠΟΡΤΑ ΑΣΦΑΛΙΣΜΕΝΗ  σβήσει μπορείτε να ανοίξετε την πόρτα (περιμένετε 3 λεπτά περίπου). Βγάλτε τη μπουγάδα και αφήστε την πόρτα μισόκλειστη για να στεγνώσει ο κάδος. Σβήστε το πλυντήριο πιέζοντας το κουμπί ON/OFF.

Προγράμματα

Πίνακας των Προγραμμάτων

Προγράμματα	Περιγραφή του Προγράμματος	Μέγιστη θερμοκρασία (°C)	Μέγιστη ταχύτητα (στροφές ανά λεπτό)	Απορρυπαντικά			Μέγιστο Φορτίο (kg)	Υπολειπόμενη υγρασία %	Κατανάλωση ενέργειας kWh	Συνολικό νερό lt	Διάρκεια κύκλου
				Προπυλωση	Πλύσιμο	Μαλακτικό					
Καθημερινά (Daily)											
1	Βαμβακερά πρόπλυση: Λευκά εξαιρετικά λερωμένα.	90°	1200	●	●	●	8	53	2,86	98	195'
2	Κανονικό πρόγραμμα για βαμβακερά στους 60°C (1): Λευκά και χρωματιστά ανθεκτικά, πολύ λερωμένα.	60° (Max. 90°)	1200	-	●	●	8	53	1,23	55,0	195'
3	Κανονικό πρόγραμμα για βαμβακερά στους 40°C (2): Λευκά λίγο λερωμένα και ευαίσθητα χρώματα.	40°	1200	-	●	●	8	53	1,01	84	180'
4	Συνθετικά: Χρωματιστά ανθεκτικά, πολύ λερωμένα.	60°	800	-	●	●	4,5	46	1,03	60	115'
4	Συνθετικά (3): Χρωματιστά ανθεκτικά, λίγο λερωμένα.	40°	800	-	●	●	4,5	46	0,56	60	100'
5	Βαμβακερά χρωματιστά: Λευκά λίγο λερωμένα και ευαίσθητα χρώματα.	40°	1200	-	●	●	8	53	0,83	63	100'
20° Zone											
6	Κανονικό/Κανονικό πρόγραμμα για βαμβακερά στους 20°C: Λευκά λίγο λερωμένα και ευαίσθητα χρώματα.	20°	1200	-	●	●	8	-	-	-	175'
7	Mix Light	20°	800	-	●	●	8	-	-	-	120'
8	20' Refresh	20°	800	-	●	●	1,5	-	-	-	20'
Ειδικά (Special)											
9	Μεταξωτά/ Κουρτίνες: Για μεταξωτά ρούχα, βισκόζη, λινά.	30°	0	-	●	●	2	-	-	-	65'
10	Μάλλινα: Για μάλλινα, cachemire, κλπ.	40°	800	-	●	●	2	-	-	-	85'
11	Jeans	40°	800	-	●	●	4	-	-	-	80'
Sport											
12	Sport Intensive	30°	600	-	●	●	4	-	-	-	85'
13	Sport Light	30°	600	-	●	●	4	-	-	-	60'
14	Special Shoes	30°	600	-	●	●	(Max. 2 ζεύγη.)	-	-	-	60'
Επί μέρους προγράμματα											
93	Ξέβγαλμα	-	1200	-	-	●	8	-	-	-	36'
95	Στύψιμο + Άντληση	-	1200	-	-	-	8	-	-	-	16'

Η διάρκεια του κύκλου που φαίνεται στην οθόνη ή στο εγχειρίδιο αποτελεί μια εκτίμηση υπολογισμένη με βάση τις σπάνια συνθήκες. Ο πραγματικός χρόνος μπορεί να ποικίλει με βάση πολυάριθμους παράγοντες όπως θερμοκρασία και πίεση του εισερχόμενου νερού, θερμοκρασία περιβάλλοντος, ποσότητα απορρυπαντικού, ποσότητα και τύπος φορτίου, ισοστάθμιση του φορτίου, πρόσθετες επιλεγμένες δυνατότητες.

1) Πρόγραμμα ελέγχου σύμφωνα με την προδιαγραφή 1061/2010: θέστε το πρόγραμμα 2 σε μια θερμοκρασία 60°C.

Ο κύκλος αυτός είναι κατάλληλος για τον καθαρισμό φορτίου βαμβακερών με συνηθισμένη βρωμιά και είναι ο πλέον αποτελεσματικός σε όρους κατανάλωσης ενέργειας και νερού, προς χρήση σε ρούχα πλενόμενα στους 60°C. Η πραγματική θερμοκρασία πλυσίματος μπορεί να διαφέρει από την υποδεικνυόμενη.

2) Πρόγραμμα ελέγχου σύμφωνα με την προδιαγραφή 1061/2010: θέστε το πρόγραμμα 3 σε μια θερμοκρασία 40°C.

Ο κύκλος αυτός είναι κατάλληλος για τον καθαρισμό φορτίου βαμβακερών με συνηθισμένη βρωμιά και είναι ο πλέον αποτελεσματικός σε όρους κατανάλωσης ενέργειας και νερού, προς χρήση σε ρούχα πλενόμενα στους 40°C. Η πραγματική θερμοκρασία πλυσίματος μπορεί να διαφέρει από την υποδεικνυόμενη.

Για όλα τα Test Institutes:

2) Πρόγραμμα βαμβακερών μακρύ: θέστε το πρόγραμμα 3 σε μια θερμοκρασία 40°C.

3) Συνθετικά πρόγραμμα μαζί: θέστε το πρόγραμμα 4 σε μια θερμοκρασία 40°C.

Sport Intensive (πρόγραμμα 12) σχεδιάστηκε για το πλύσιμο υφασμάτων αθλητικής ένδυσης (φόρμες, παντελονάκια, κλπ.) λίγο λερωμένα. Για να πετύχετε τα καλύτερα αποτελέσματα συστήνεται να μην ξεπερνάτε το μέγιστο φορτίο του "Πίνακα των προγραμμάτων".

Sport Light (πρόγραμμα 13) σχεδιάστηκε για το πλύσιμο υφασμάτων αθλητικής ένδυσης (φόρμες, παντελονάκια, κλπ.) λίγο λερωμένα. Για να πετύχετε τα καλύτερα αποτελέσματα συστήνεται να μην ξεπερνάτε το μέγιστο φορτίο του "Πίνακα των προγραμμάτων". Συστήνεται η χρήση υγρού απορρυπαντικού, χρησιμοποιείτε μια δόση κατάλληλη για μισό φορτίο.

Special Shoes (πρόγραμμα 14) σχεδιάστηκε για το πλύσιμο αθλητικών υποδημάτων. Για να πετύχετε τα καλύτερα αποτελέσματα μην πλένετε περισσότερα από 2 ζεύγάρια.

Τα προγράμματα 20° (20° Zone) προσφέρουν καλές επιδόσεις πλυσίματος σε χαμηλές θερμοκρασίες, επιτρέποντας μειωμένη κατανάλωση ηλεκτρικής ενέργειας με εξοικονόμηση ενέργειας και ευεργετικά αποτελέσματα για το περιβάλλον.

Τα προγράμματα 20° ικανοποιούν όλες τις ανάγκες:

Κανονικό πρόγραμμα για βαμβακερά στους 20° (πρόγραμμα 6) ιδανικό για φορτία λερωμένων βαμβακερών. Οι καλές επιδόσεις και σε χαμηλή θερμοκρασία, συγκρίσιμες με ένα πλύσιμο στους 40°, εξασφαλίζονται από μια μηχανική δράση που λειτουργεί με μεταβολή ταχύτητας σε επαναλαμβανόμενες και κοντινές αυξομειώσεις.

Mix Light (πρόγραμμα 7) ιδανικό για ανάμικτα φορτία (βαμβακερά και συνθετικά) κανονικά λερωμένα. Οι καλές επιδόσεις πλυσίματος και σε χαμηλή θερμοκρασία εξασφαλίζονται από μια μηχανική δράση που λειτουργεί με μεταβολή ταχύτητας σε καθορισμένα και μεσαία διαστήματα.

20' Refresh (πρόγραμμα 8) κύκλος ιδανικός για το φρεσκάρισμα και πλύσιμο ενδυμάτων ελαφρά λερωμένων σε λίγα λεπτά.

Διαρκεί μόνο 20 λεπτά και εξοικονομεί χρόνο και ενέργεια. Μπορείς να πλένεις μαζί διαφορετικά υφάσματα (εκτός μάλλινων και μεταξωτών) με μέγιστο φορτίο 1,5 Kg.

Θέστε τη θερμοκρασία

Στρέφοντας τον επιλογέα ΘΕΡΜΟΚΡΑΣΙΑ τίθεται η θερμοκρασία πλυσίματος (βλέπε Πίνακα προγραμμάτων).

Η θερμοκρασία μπορεί να μειωθεί μέχρι το πλύσιμο σε κρύο νερό ❄.

Το μηχάνημα θα παρεμποδίσει αυτόματα τη θέση θερμοκρασίας μεγαλύτερης της μέγιστης προβλεπόμενης για κάθε πρόγραμμα.


! Εξαίρεση: επιλέγοντας το πρόγραμμα **2** η θερμοκρασία μπορεί να αυξηθεί μέχρι 90°.

Θέστε το στύψιμο

Στρέφοντας τον επιλογέα ΣΤΥΨΙΜΟ τίθεται η ταχύτητα στυψίματος του επιλεγμένου προγράμματος.

Οι μέγιστες προβλεπόμενες ταχύτητες για τα προγράμματα είναι:

Προγράμματα	Μέγιστη ταχύτητα
Βαμβακερά	1200 στροφές ανά λεπτό
Συνθετικά	800 στροφές ανά λεπτό
Μάλλινα	800 στροφές ανά λεπτό

Η ταχύτητα στυψίματος μπορεί να ελαττωθεί ή να αποκλειστεί επιλέγοντας το σύμβολο .

Το μηχάνημα θα παρεμποδίσει αυτόματα τη διενέργεια στυψίματος μεγαλύτερου του μέγιστου προβλεπόμενου για κάθε πρόγραμμα.

Λειτουργίες

Οι διάφορες λειτουργίες πλυσίματος που προβλέπονται από το πλυντήριο επιτρέπουν την επίτευξη του καθαρισμού και του λευκού που επιθυμείτε.


Για την ενεργοποίηση των λειτουργιών:


1. πιέστε το πλήκτρο το σχετικό με την επιλεγμένη λειτουργία.
2. Το άναμμα του ενδεικτικού φωτός επισημαίνει ότι η λειτουργία είναι ενεργή.

Παρατήρηση:

- Αν η επιλεγμένη λειτουργία δεν είναι συμβατή με το τεθέν πρόγραμμα το σχετικό ενδεικτικό φωτάκι θα αναβοσβήνει και η λειτουργία δεν θα ενεργοποιηθεί.
- Αν η επιλεγμένη λειτουργία δεν είναι συμβατή με μια άλλη που επελέγη προηγουμένως, το σχετικό φωτάκι της πρώτης επιλεγμένης λειτουργίας θα αναβοσβήνει και θα ενεργοποιηθεί μόνο η δεύτερη, το ενδεικτικό φωτάκι της ενεργοποιηθείσας λειτουργίας θα φωτιστεί.

Καθυστερημένη εκκίνηση


Για να θέσετε την εκκίνηση με υστέρηση του προεπιλεγμένου προγράμματος, πατήστε το σχετικό κουμπί μέχρι να επιτευχθεί ο χρόνος της επιθυμητής υστέρησης. Όταν η δυνατότητα αυτή είναι ενεργή, στην οθόνη φωτίζεται το σύμβολο .

 Για να απαλείψετε την εκκίνηση με υστέρηση πατήστε το κουμπί μέχρις ότου εμφανιστεί στην οθόνη η ένδειξη "OFF".

EcoTime

Επιλέγοντας τη δυνατότητα αυτή η μηχανική κίνηση, η θερμοκρασία και το νερό είναι βελτιστοποιημένο για μειωμένο φορτίο βαμβακερών και συνθετικών λίγο λερωμένων (βλέπε "Πίνακας των Προγραμμάτων"). Με το "EcoTime" μπορείτε να πλένετε σε μικρούς χρόνους, εξοικονομώντας νερό και ενέργεια. Συστήνεται η χρήση μιας δόσης υγρού απορρυπαντικού κατάλληλης για την ποσότητα του φορτίου.

Energy Saver

Η λειτουργία  συμβάλλει στην εξοικονόμηση ενέργειας μη θερμαίνοντας το νερό που χρησιμοποιείται στο πλύσιμο της μπουγάδας – ένα πλεονέκτημα τόσο για το περιβάλλον όσο και για τον λογαριασμό του ηλεκτρικού.

Πράγματι, η ενισχυμένη δράση και η βελτιστοποιημένη κατανάλωση εγγυώνται βέλτιστα αποτελέσματα στην ίδια μέση διάρκεια ενός σάνταρ κύκλου.

Για να πετύχετε τα βέλτιστα αποτελέσματα πλυσίματος, συστήνεται η χρήση ενός υγρού απορρυπαντικού.

Απορρυπαντικά και μπουγάδα

GR

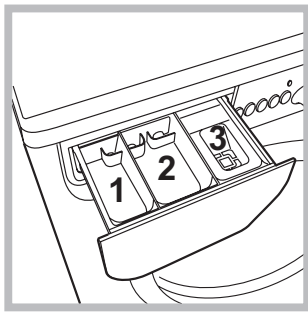
Θήκη απορρυπαντικών

Το καλό αποτέλεσμα του πλυσίματος εξαρτάται επίσης και από τη σωστή δοσολογία του απορρυπαντικού: υπερβάλλοντας δεν πλένουμε αποτελεσματικότερα και συντελούμε στη δημιουργία κρούστας στα εσωτερικά μέρη του πλυντηρίου και στη μόλυνση του περιβάλλοντος.

! Μην χρησιμοποιείτε απορρυπαντικά για πλύσιμο στο χέρι, διότι παράγουν πολύ αφρό.

! Να χρησιμοποιείτε απορρυπαντικά σε σκόνη για ρούχα λευκά βαμβακερά και για την πρόπλυση και για πλυσίματα σε θερμοκρασία μεγαλύτερη των 60°C.

! Ακολουθήστε τις υποδείξεις που αναγράφονται στη συσκευασία του απορρυπαντικού.



Βγάλτε τη θήκη απορρυπαντικών και εισάγετε το απορρυπαντικό ή το πρόσθετο ως εξής.

θήκη 1: Απορρυπαντικό για πρόπλυση (σε σκόνη)
θήκη 2: Απορρυπαντικό για πλύσιμο (σε σκόνη ή υγρό)

Το υγρό απορρυπαντικό χύνεται μόνο πριν την εκκίνηση.

θήκη 3: Πρόσθετα (μαλακτικό, κλπ.)

Το μαλακτικό δεν πρέπει να διαφεύγει από το πλέγμα.

Προετοιμασία της μπουγάδας

- Χωρίστε τη μπουγάδα ανάλογα:
 - με το είδος του υφάσματος/ το σύμβολο της ετικέτας.
 - τα χρώματα: χωρίστε τα χρωματιστά ρούχα από τα λευκά.
- Εκκενώστε τις τσέπες και ελέγξτε τα κουμπιά.
- Μην ξεπερνάτε τις υποδεικνυόμενες τιμές στον "Πίνακα των Προγραμμάτων" σε σχέση με το βάρος της στεγνής μπουγάδας.


Πόσο ζυγίζει η μπουγάδα;

- 1 σεντόνι 400-500 gr.
- 1 μαξιλαροθήκη 150-200 gr.
- 1 τραπεζομάντιλο 400-500 gr.
- 1 μπουρνούζι 900-1.200 gr.
- 1 πετσέτα 150-250 gr.

Ειδικά ρούχα

Μεταξωτά: χρησιμοποιήστε το αντίστοιχο πρόγραμμα 9 για να πλύνετε όλα τα μεταξωτά ρούχα. Συνιστάται η χρήση ενός ειδικού απορρυπαντικού για ευαίσθητα ρούχα.

Κουρτίνες: διπλώστε τις μέσα σε ένα μαξιλάρι ή σε ένα δικτυωτό σακούλι. Χρησιμοποιήστε το πρόγραμμα 9.

Μάλλινα: Με το πρόγραμμα 10 μπορείτε να πλένετε στο πλυντήριο όλα τα μάλλινα ρούχα ακόμη και εκείνα με την ετικέτα "μόνο πλύσιμο στο χέρι" . Για καλύτερα αποτελέσματα χρησιμοποιήστε ειδικό απορρυπαντικό και μην ξεπερνάτε το 2 kg μπουγάδας.

Jeans: γυρίστε από την ανάποδη τα ρούχα πριν το πλύσιμο και χρησιμοποιήστε υγρό απορρυπαντικό. Χρησιμοποιήστε το πρόγραμμα 11.

Σύστημα ισοστάθμισης του φορτίου

Πριν από κάθε στύψιμο, για να αποφύγετε δονήσεις υπερβολικές και για να κατανείμμε ομοιόμορφα το φορτίο, ο κάδος διενεργεί περιστροφές σε μια ταχύτητα ελαφρά ανώτερη εκείνης του πλυσίματος. Αν στο τέλος των διαδοχικών προσπαθειών το φορτίο δεν έχει ακόμη εξισορροπηθεί σωστά η μηχανή διενεργεί το στύψιμο σε μια ταχύτητα χαμηλότερη της προβλεπόμενης. Παρουσία υπερβολικής αστάθειας, το πλυντήριο διενεργεί την κατανομή αντί του στύψιματος. Για να ευνοηθεί καλύτερη κατανομή του φορτίου και της σωστής εξισορρόπησης συνιστάται η ανάμιξη ρούχων μεγάλων και μικρών διαστάσεων.

Μπορεί να συμβεί το πλυντήριο να μη λειτουργεί. Πριν τηλεφωνήσετε στην Υποστήριξη (βλέπε “Υποστήριξη”), ελέγξτε αν δεν πρόκειται για πρόβλημα που επιλύεται εύκολα με τη βοήθεια του ακόλουθου καταλόγου.

Ανωμαλίες:

Το πλυντήριο δεν ανάβει.

Δυνατά αίτια / Λύση:

- Το βύσμα δεν έχει εισαχθεί στην ηλεκτρική πρίζα ή τουλάχιστον όχι αρκετά για να κάνει επαφή.
- Στο σπίτι δεν υπάρχει ρεύμα.

Ο κύκλος πλυσίματος δεν ξεκινάει.

- Η πόρτα δεν κλείνει καλά.
- Το κουμπί ON/OFF δεν πατήθηκε.
- Το κουμπί START/PAUSE δεν πατήθηκε.
- Η βρύση του νερού δεν είναι ανοιχτή.
- Τέθηκε μια καθυστέρηση στον χρόνο εκκίνησης (βλέπε «Εξατομικεύσεις»).

Το πλυντήριο δεν φορτώνει νερό (Στην οθόνη απεικονίζεται η ένδειξη «H2O» να αναβοσβήνει).

- Ο σωλήνας τροφοδοσίας του νερού δεν είναι συνδεδεμένος στον κρουνό.
- Ο σωλήνας είναι διπλωμένος.
- Η βρύση του νερού δεν είναι ανοιχτή.
- Στο σπίτι λείπει το νερό.
- Δεν υπάρχει αρκετή πίεση.
- Το κουμπί START/PAUSE δεν πατήθηκε.

Το πλυντήριο φορτώνει και αδειάζει νερό συνεχώς.

- Ο σωλήνας αδειάσματος δεν έχει εγκατασταθεί μεταξύ 65 και 100 cm από το έδαφος (βλέπε «Εγκατάσταση»).
- Το άκρο του σωλήνα αδειάσματος είναι βυθισμένο στο νερό (βλέπε «Εγκατάσταση»).
- Το επιτοίχιο άδειασμα δεν έχει απαέρωση.

Αν μετά από αυτούς τους ελέγχους το πρόβλημα δεν λύνεται, κλείστε τη βρύση του νερού, σβήστε το πλυντήριο και καλέστε την υποστήριξη. Αν η κατοικία βρίσκεται στους τελευταίους ορόφους ενός κτιρίου, μπορεί να διαπιστωθούν φαινόμενα σιφωνισμού, οπότε το πλυντήριο φορτώνει και αδειάζει νερό συνεχώς. Για την αντιμετώπιση του προβλήματος διατίθενται στο εμπόριο κατάλληλες βαλβίδες αντι-σιφωνισμού.

Το πλυντήριο δεν φορτώνει ή δεν στύβει.

- Το πρόγραμμα δεν προβλέπει το άδειασμα: με ορισμένα προγράμματα πρέπει να το εκκινήσετε χειρονακτικά.
- Ο σωλήνας αδειάσματος είναι διπλωμένος (βλέπε «Εγκατάσταση»).
- Ο αγωγός εκκένωσης είναι βουλωμένος.

Το πλυντήριο δονείται πολύ κατά το στύψιμο.

- Ο κάδος, τη στιγμή της εγκατάστασης, δεν ξεμπλόκαρε σωστά (βλέπε «Εγκατάσταση»).
- Το πλυντήριο δεν είναι οριζοντιωμένο (βλέπε «Εγκατάσταση»).
- Το πλυντήριο είναι πολύ στενά μεταξύ τοίχου και επίπλων (βλέπε «Εγκατάσταση»).

Το πλυντήριο χάνει νερό.

- Ο σωλήνας τροφοδοσίας του νερού δεν είναι καλά βιδωμένος (βλέπε «Εγκατάσταση»).
- Η θήκη των απορρυπαντικών είναι βουλωμένη (για να την καθαρίσετε βλέπε «Συντήρηση και φροντίδα»).
- Ο σωλήνας αδειάσματος δεν έχει στερεωθεί καλά (βλέπε «Εγκατάσταση»).

Τα ενδεικτικά φωτάκια των “Λειτουργίες” και το ενδεικτικό φωτάκι “START/PAUSE” αναβοσβήνουν και ένα από τα φωτάκια της “φάσης σε εξέλιξη” και “ΠΟΡΤΑ ΑΣΦΑΛΙΣΜΕΝΗ” ανάβει σταθερά.

- Σβήστε τη μηχανή και βγάλτε το βύσμα από την πρίζα, περιμένετε περίπου 1 λεπτό μετά ξανανάψτε τη.
- Αν η ανωμαλία επιμένει, καλέστε την Υποστήριξη.

Σχηματίζεται πολύς αφρός.

- Το απορρυπαντικό δεν είναι ειδικό για πλυντήριο (πρέπει να υπάρχει η ένδειξη “για πλυντήριο”, “για πλύσιμο στο χέρι και στο πλυντήριο”, ή παρόμοια).
- Η δοσολογία υπήρξε υπερβολική.

Πριν επικοινωνήσετε με την Υποστήριξη:

- Ελέγξτε αν η ανωμαλία μπορείτε να την αντιμετωπίσετε μόνοι σας (βλέπε "Ανωμαλίες και λύσεις");
- Επανεκκινήστε το πρόγραμμα για να ελέγξετε αν το πρόβλημα αντιμετωπίστηκε;
- Σε αρνητική περίπτωση, επικοινωνήστε με την εξουσιοδοτημένη Τεχνική Υποστήριξη στον τηλεφωνικό αριθμό που υπάρχει στο πιστοποιητικό εγγύησης.

! Μην καταφεύγετε ποτέ σε μη εξουσιοδοτημένους τεχνικούς.

Γνωστοποιήστε:

- το είδος της ανωμαλίας;
- το μοντέλο του μηχανήματος (Mod.);
- τον αριθμό σειράς (S/N).

Οι πληροφορίες αυτές βρίσκονται στην ταμπελίτσα που υπάρχει στο πίσω μέρος του πλυντηρίου και στο πρόσθιο μέρος ανοίγοντας την πόρτα.

ΚΑΤ' ΕΞΟΥΣΙΟΔΟΤΗΣΗ ΚΑΝΟΝΙΣΜΟΣ (ΕΕ) αριθ. 1061/2010 ΤΗΣ ΕΠΙΤΡΟΠΗΣ

Εμπορικό σήμα	INDESIT
Μοντέλο	IWD 81252 C ECO EU
Όνομαστική χωρητικότητα βαμβακερών σε κιλά	8.0
Κλάση ενεργειακής απόδοσης σε κλίμακα από A+++ (χαμηλή κατανάλωση) έως G (υψηλή κατανάλωση)	A++
Κατανάλωση ενέργειας ετησίως σε kWh ¹⁾	222.0
Κατανάλωση ενέργειας του κανονικού προγράμματος βαμβακερών 60 °C με πλήρες φορτίο σε kWh ²⁾	1.232
Κατανάλωση ενέργειας του κανονικού προγράμματος βαμβακερών 60 °C με μερικό φορτίο σε kWh ²⁾	0.808
Ενεργειακή κατανάλωση του κανονικού προγράμματος βαμβακερών 40 °C με μερικό φορτίο σε kWh ²⁾	0.735
Κατανάλωση ισχύος της λειτουργίας απενεργοποίησης σε kWh	0.5
Κατανάλωση ισχύος της λειτουργίας αναμονής σε kWh	8.0
Κατανάλωση νερού ετησίως σε λίτρα ³⁾	11374
Κλάση απόδοσης περιστροφής-στεγνώματος σε κλίμακα από G (ελάχιστη απόδοση) έως A (μέγιστη απόδοση)	B
Μέγιστη ταχύτητα περιστροφής ⁴⁾	1200
Υπολειπόμενη περιεκτικότητα υγρασίας ⁵⁾	53%
Χρόνος προγράμματος του "κανονικού προγράμματος βαμβακερών 60 °C" με πλήρες φορτίο σε λεπτά.	195
Χρόνος προγράμματος του "κανονικού προγράμματος βαμβακερών 60 °C" με μερικό φορτίο σε λεπτά.	165
Χρόνος προγράμματος του "κανονικού προγράμματος βαμβακερών 40°C" με πλήρες φορτίο σε λεπτά.	160
Χρόνος προγράμματος του "κανονικού προγράμματος βαμβακερών 40°C" με μερικό φορτίο σε λεπτά.	30
Διάρκεια της λειτουργίας αναμονής σε λεπτά ⁶⁾	61
Εκπομπές αερόφερτου θορύβου dB(A) Re 1 pW ⁶⁾	77
Εντοιχισμένο μοντέλο	

¹⁾ βασίζεται σε 220 κανονικούς κύκλους πλυσίματος για προγράμματα βαμβακερών στους 60°C και 40°C με πλήρες και μερικό φορτίο, και την κατανάλωση των λειτουργικών χαμηλής ισχύος. Η πραγματική κατανάλωση ενέργειας θα εξαρτάται από τη χρήση της συσκευής.

²⁾ Αυτά είναι τα πρότυπα με τα οποία σχετίζονται όλες οι πληροφορίες της ετικέτας και του δελτίου, είναι κατάλληλα για το καθάρισμα φυσιολογικά λερωμένων βαμβακερών ρούχων και είναι τα αποδοτικότερα προγράμματα όσον αφορά το συνδυασμό κατανάλωσης ενέργειας και νερού. **Το μερικό φορτίο είναι το μισό της ονομαστικής χωρητικότητας."

³⁾ βασίζεται σε 220 κανονικούς κύκλους πλυσίματος για προγράμματα βαμβακερών στους 60°C και 40°C με πλήρες και μερικό φορτίο. Η πραγματική κατανάλωση νερού θα εξαρτάται από τη χρήση της συσκευής.

⁴⁾ Για τον κανονικό κύκλο στους 60 °C με πλήρες και μερικό φορτίο ή 40°C με μερικό φορτίο, όποιο είναι χαμηλότερο

⁵⁾ Επτιυχάνεται για το πρόγραμμα βαμβακερών στους 60 °C με πλήρες και μερικό φορτίο ή 40°C με μερικό φορτίο, όποιο είναι υψηλότερο

⁶⁾ Εάν το πλυντήριο του σπιτιού σας είναι εξοπλισμένο με σύστημα διαχείρισης ενέργειας.