


Instructions for use

WASHER-DRYER

 This symbol reminds you to read this instruction manual.

GB

GB

English, 1

ES

Español, 13

NL

Nederlands, 25

FR

Français, 37

DE

Deutsch, 49

GR

Ελληνικά, 61

SK

Slovensky, 73

IWDC 71680

Contents

Installation, 2-3

Unpacking and levelling
Connecting the electricity and water supplies
The first wash cycle
Technical data

Care and maintenance, 4

Cutting off the water or electricity supply
Cleaning the washer-dryer
Cleaning the detergent dispenser drawer
Caring for the door and drum of your appliance
Cleaning the pump
Checking the water inlet hose

Precautions and tips, 5

General safety
Disposal

Description of the washer-dryer and starting a wash cycle, 6-7

Control panel
Indicator lights
Starting a wash cycle

Wash cycles, 8

Table of wash cycles

Personalisation, 9

Setting the temperature
Setting the drying cycle
Functions

Detergents and laundry, 10

Detergent dispenser drawer
Preparing the laundry
Garments requiring special care
Load balancing system

Troubleshooting, 11

Service, 12

Installation

GB

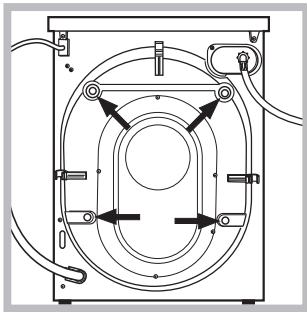
! This instruction manual should be kept in a safe place for future reference. If the washing machine is sold, transferred or moved, make sure that the instruction manual remains with the machine so that the new owner is able to familiarise himself/herself with its operation and features.

! Read these instructions carefully: they contain vital information relating to the safe installation and operation of the appliance.

Unpacking and levelling

Unpacking

1. Remove the washing machine from its packaging.
2. Make sure that the washing machine has not been damaged during the transportation process. If it has been damaged, contact the retailer and do not proceed any further with the installation process.



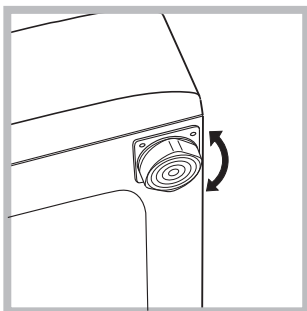
3. Remove the 4 protective screws (used during transportation) and the rubber washer with the corresponding spacer, located on the rear part of the appliance (see figure).

4. Close off the holes using the plastic plugs provided.
5. Keep all the parts in a safe place: you will need them again if the washing machine needs to be moved to another location.

! Packaging materials should not be used as toys for children.

Levelling

1. Install the washing machine on a flat sturdy floor, without resting it up against walls, furniture cabinets or anything else.

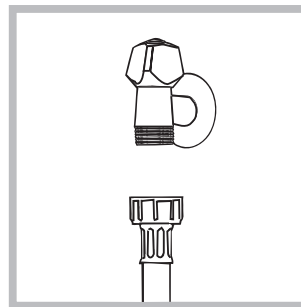


2. If the floor is not perfectly level, compensate for any unevenness by tightening or loosening the adjustable front feet (see figure); the angle of inclination, measured in relation to the worktop, must not exceed 2°.

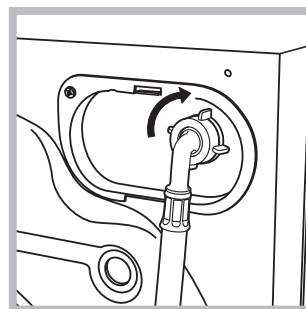
Levelling the machine correctly will provide it with stability, help to avoid vibrations and excessive noise and prevent it from shifting while it is operating. If it is placed on carpet or a rug, adjust the feet in such a way as to allow a sufficient ventilation space underneath the washing machine.

Connecting the electricity and water supplies

Connecting the water inlet hose



1. Connect the supply pipe by screwing it to a cold water tap using a 3/4 gas threaded connection (see figure). Before performing the connection, allow the water to run freely until it is perfectly clear.



2. Connect the inlet hose to the washing machine by screwing it onto the corresponding water inlet of the appliance, which is situated on the top right-hand side of the rear part of the appliance (see figure).

3. Make sure that the hose is not folded over or bent.

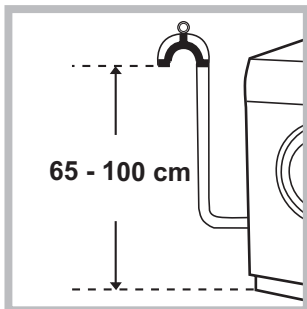
! The water pressure at the tap must fall within the values indicated in the Technical details table (see next page).

! If the inlet hose is not long enough, contact a specialised shop or an authorised technician.

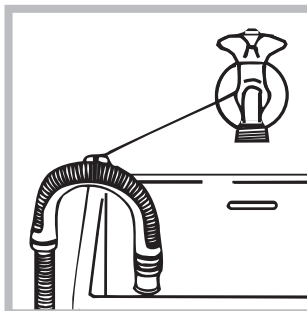
! Never use second-hand hoses.

! Use the ones supplied with the machine.

Connecting the drain hose



Connect the drain hose, without bending it, to a drainage duct or a wall drain located at a height between 65 and 100 cm from the floor;



alternatively, rest it on the side of a washbasin or bathtub, fastening the duct supplied to the tap (see figure). The free end of the hose should not be underwater.

! We advise against the use of hose extensions; if it is absolutely necessary, the extension must have the same diameter as the original hose and must not exceed 150 cm in length.

Electrical connections

Before plugging the appliance into the electricity socket, make sure that:

- the socket is earthed and complies with all applicable laws;
- the socket is able to withstand the maximum power load of the appliance as indicated in the Technical data table (see opposite);
- the power supply voltage falls within the values indicated in the Technical data table (see opposite);
- the socket is compatible with the plug of the washing machine. If this is not the case, replace the socket or the plug.

! The washing machine must not be installed outdoors, even in covered areas. It is extremely dangerous to leave the appliance exposed to rain, storms and other weather conditions.

! When the washing machine has been installed, the electricity socket must be within easy reach.

! Do not use extension cords or multiple sockets.





! The cable should not be bent or compressed.

! The power supply cable must only be replaced by authorised technicians.

Warning! The company shall not be held responsible in the event that these regulations are not respected.

The first wash cycle

Once the appliance has been installed, and before you use it for the first time, run a wash cycle with detergent and no laundry, using the wash cycle **2**.

Technical data	
Model	IWDC 71680
Dimensions	width 59,5 cm height 85 cm depth 53,5 cm
Capacity	from 1 to 7 kg for the wash programme; from 1 to 5 kg for the drying programme
Electrical connections	please refer to the technical data plate fixed to the machine
Water connection	maximum pressure 1 MPa (10 bar) minimum pressure 0.05 MPa (0.5 bar) drum capacity 52 litres
Spin speed	up to 1600 rotations per minute
Energy rated programmes according to regulation EN 50229	Wash: programme 2; temperature 60°C; run with a load of 7 kg. Drying: the smaller load must be dried by selecting the “  ” dryness level. The load must consist of 2 sheets, 1 pillowcase and 1 hand towel; the remainder of the load must be dried by selecting the “  ” dryness level.
 	This appliance conforms to the following EC Directives: - 2004/108/EC (Electromagnetic Compatibility) - 2002/96/EC - 2006/95/EC Low Voltage)

Care and maintenance

GB

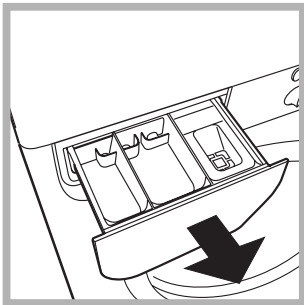
Cutting off the water and electricity supplies

- Turn off the water tap after every wash cycle. This will limit wear on the hydraulic system inside the washing machine and help to prevent leaks.
- Unplug the washing machine when cleaning it and during all maintenance work.

Cleaning the washing machine

The outer parts and rubber components of the appliance can be cleaned using a soft cloth soaked in lukewarm soapy water. Do not use solvents or abrasives.

Cleaning the detergent dispenser drawer



Remove the dispenser by raising it and pulling it out (see figure). Wash it under running water; this operation should be repeated frequently.

Caring for the door and drum of your appliance

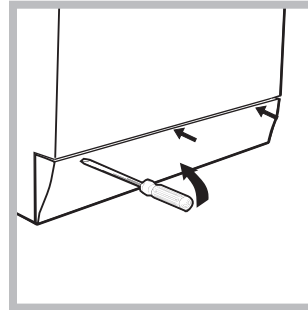
- Always leave the porthole door ajar in order to prevent unpleasant odours from forming.

Cleaning the pump

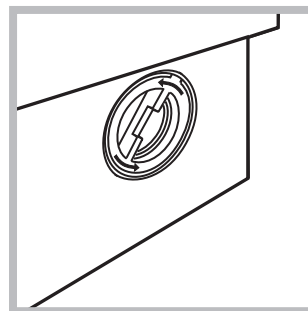
The washing machine is fitted with a self-cleaning pump which does not require any maintenance. Sometimes, small items (such as coins or buttons) may fall into the pre-chamber which protects the pump, situated in its bottom part.

- ! Make sure the wash cycle has finished and unplug the appliance.

To access the pre-chamber:



1. using a screwdriver, remove the cover panel on the lower front part of the washing machine (see figure);



2. unscrew the lid by rotating it anti-clockwise (see figure): a little water may trickle out. This is perfectly normal;

3. clean the inside thoroughly;
4. screw the lid back on;
5. reposition the panel, making sure the hooks are securely in place before you push it onto the appliance.

Checking the water inlet hose

Check the inlet hose at least once a year. If there are any cracks, it should be replaced immediately: during the wash cycles, water pressure is very strong and a cracked hose could easily split open.

- ! Never use second-hand hoses.

! This Washer-dryer was designed and constructed in accordance with international safety regulations. The following information is provided for safety reasons and must therefore be read carefully.

General safety

- This appliance is not intended for use by persons (including children) with reduced physical, sensory or mental capabilities, or lack of experience and knowledge, unless they have been given supervision or instruction concerning use of the appliance by a person responsible for their safety.
Children should be supervised to ensure that they do not play with the appliance.
 - Do not dry unwashed items in the tumble dryer.
 - Items that have been soiled with substances such as cooking oil, acetone, alcohol, petrol, kerosene, spot removers, turpentine, waxes and wax removers should be washed in hot water with an extra amount of detergent before being dried in the tumble dryer.
 - Items such as foam rubber (latex foam), shower caps, waterproof textiles, rubber backed articles and clothes or pillows fitted with foam rubber pads should not be dried in the tumble dryer.
 - Fabric softeners, or similar products, should be used as specified by the fabric softener instructions.
 - The final part of a tumble dryer cycle occurs without heat (cool down cycle) to ensure that the items are left at a temperature that ensures that the items will not be damaged.**WARNING:** Never stop a tumble dryer before the end of the drying cycle unless all items are quickly removed and spread out so that the heat is dissipated.
- This appliance was designed for domestic use only.
- Do not touch the machine when barefoot or with wet or damp hands or feet.
- Do not pull on the power supply cable when unplugging the appliance from the electricity socket. Hold the plug and pull.
- Do not touch the drained water as it may reach extremely high temperatures.
- Never force the porthole door. This could damage the safety lock mechanism designed to prevent accidental opening.
- If the appliance breaks down, do not under any circumstances access the internal mechanisms in an attempt to repair it yourself.
- Always keep children well away from the appliance while it is operating.
- If it must be moved, proceed with the help of two or three people and handle it with the utmost care. Never try to do this alone, because the appliance is very heavy.
- Before loading laundry into the washer dryer, make sure the drum is empty.
- During the drying phase, the door tends to get quite hot.
- Do not use the appliance to dry clothes that have been washed with flammable solvents (e.g. trichlorethylene).

- Do not use the appliance to dry foam rubber or similar elastomers.
- Make sure that the water tap is turned on during the drying cycles.

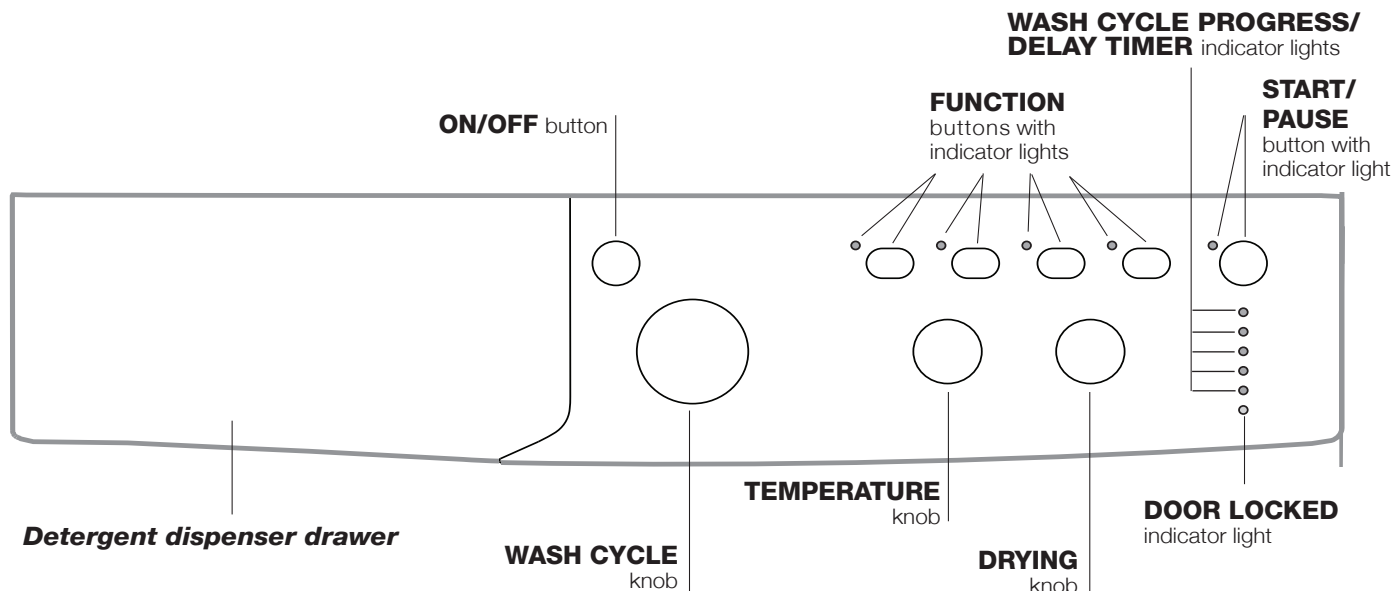
Disposal

- Disposing of the packaging materials: observe local regulations so that the packaging may be re-used.
- The European Directive 2002/96/EC on Waste Electrical and Electronic Equipment, requires that old household electrical appliances must not be disposed of in the normal unsorted municipal waste stream. Old appliances must be collected separately in order to optimise the recovery and recycling of the materials they contain and reduce the impact on human health and the environment. The crossed out “wheeled bin” symbol on the product reminds you of your obligation, that when you dispose of the appliance it must be separately collected.
Consumers should contact their local authority or retailer for information concerning the correct disposal of their old appliance.

Description of the washer-dryer and starting a wash cycle

Control panel

GB



Detergent dispenser drawer: used to dispense detergents and washing additives (see “Detergents and laundry”).

ON/OFF button: switches the washer-dryer on and off.

WASH CYCLE knob: programmes the wash cycles. During the wash cycle, the knob does not move.

FUNCTION buttons with indicator light: used to select the available functions. The indicator light corresponding to the selected function will remain lit.

TEMPERATURE knob: sets the temperature or the cold wash cycle (see “Personalisation”).


DRYING knob: used to set the desired drying programme (see “Personalisation”).

WASH CYCLE PROGRESS/DELAY TIMER indicator lights: used to monitor the progress of the wash cycle. The illuminated indicator light shows which phase is in progress.

If the Delay Timer function has been set, the time remaining until the wash cycle starts will be indicated (see next page).

DOOR LOCKED indicator light: indicates whether the door may be opened or not (see next page).

START/PAUSE button with indicator light: starts or temporarily interrupts the wash cycles.

N.B. To pause the wash cycle in progress, press this button; the corresponding indicator light will flash orange, while the indicator light for the current wash cycle phase will remain lit in a fixed manner. If the DOOR LOCKED  indicator light is switched off, the door may be opened.

To start the wash cycle from the point at which it was interrupted, press this button again.

Standby mode

This washing machine, in compliance with new energy saving regulations, is fitted with an automatic standby system which is enabled after about 30 minutes if no activity is detected. Press the ON-OFF button briefly and wait for the machine to start up again.

Consumption in off-mode: 0,5 W

Consumption in Left-on: 0,5 W

Indicator lights

The indicator lights provide important information. This is what they can tell you:

Delayed start

If the DELAY TIMER function has been activated (see “Personalisation”), after the wash cycle has been started the indicator light corresponding to the selected delay period will begin to flash:



As time passes, the remaining delay will be displayed and the corresponding indicator light will flash:




The set programme will start once the selected time delay has expired.

Starting a wash cycle





1. Switch the washer-dryer on by pressing the ON/OFF button. All indicator lights will switch on for a few seconds, then they will switch off and the START/PAUSE indicator light will pulse.
2. Load the laundry and close the door.
3. Set the WASH CYCLE knob to the desired programme.
4. Set the washing temperature (see “Personalisation”).
5. Set the drying cycle if necessary (see “Personalisation”).
6. Measure out the detergent and washing additives (see “Detergents and laundry”).
7. Select the desired functions.
8. Start the wash cycle by pressing the START/PAUSE button and the corresponding indicator light will remain lit in a fixed manner, in green.

To cancel the set wash cycle, pause the machine by pressing the START/PAUSE button and select a new cycle.

9. At the end of the wash cycle the **END** indicator light will switch on. The door can be opened once the DOOR LOCKED  indicator light turns off. Take out your laundry and leave the appliance door ajar to make sure the drum dries completely. Switch the washer-dryer off by pressing the ON/OFF button.

Wash cycle phase indicator lights

Once the desired wash cycle has been selected and has begun, the indicator lights switch on one by one to indicate which phase of the cycle is currently in progress.

Wash	● 
Rinse	● 
Spin/Drain	● 
Drying	● 
End of wash cycle	● END

Note: when the drying cycle has finished, the DRYING knob should be returned to the “0” position.

Function buttons and corresponding indicator lights

When a function is selected, the corresponding indicator light will illuminate.

If the selected function is not compatible with the programmed wash cycle, the corresponding indicator light will flash and the function will not be activated.

If the selected function is not compatible with another function which has been selected previously, the indicator light corresponding to the first function selected will flash and only the second function will be activated; the indicator light corresponding to the enabled option will remain lit.




Door locked indicator light

When the indicator light is on, the porthole door is locked to prevent it from being opened; make sure the indicator light is off before opening the door (wait approximately 3 minutes). To open the door during a running wash cycle, press the START/PAUSE button; the door may be opened once the DOOR LOCKED indicator light turns off.

Wash cycles

GB

Table of wash cycles

Wash cycles	Description of the wash cycle	Max. temp. (°C)	Max. speed (rpm)	Drying	Detergents			Max. load (kg)	Cycle duration
					Prewash	Main wash	Fabric softener		
Daily									
1	Cotton with prewash: extremely soiled whites.	90°	1600	●	●	●	●	7	170'
2	Cotton: extremely soiled whites.	90°	1600	●	-	●	●	7	155'
2	Cotton (1): heavily soiled whites and resistant colours.	60°	1600	●	-	●	●	7	155'
2	Cotton (2): lightly soiled whites and delicate colours.	40°	1600	●	-	●	●	7	145'
3	Cotton: heavily soiled whites and resistant colours.	60°	1600	●	-	●	●	7	130'
4	Coloured Cotton: lightly soiled whites and delicate colours.	40°	1600	●	-	●	●	7	90'
5	Synthetics: lightly soiled resistant colours.	60°	800	●	-	●	●	3	85'
Special									
6	Wool: for wool, cashmere, etc.	40°	800	-	-	●	●	1,5	55'
7	Silk/Curtains: for garments in silk and viscose, lingerie.	30°	0	-	-	●	●	1	55'
8	Jeans	40°	800	●	-	●	●	3	80'
9	Sport Light	30°	600	-	-	●	●	3	70'
10	Sport Shoes	30°	600	-	-	●	●	Max. 2 pairs	50'
Drying									
11	Cotton dry	-	-	●	-	-	-	5	-
12	Synthetics dry	-	-	●	-	-	-	3	-
13	Express Wash & Dry	30°	1600	●	-	●	●	0,5	35'
Partial wash cycles									
	Rinse	-	1600	●	-	-	●	7	36'
	Spin	-	1600	●	-	-	-	7	16'
	Drain	-	0	-	-	-	-	7	2'

The length of cycle shown on the display or in this booklet is an estimation only and is calculated assuming standard working conditions. The actual duration can vary according to factors such as water temperature and pressure, the amount of detergent used, the amount and type of load inserted, load balancing and any wash options selected.

For all Test Institutes:

- 1) Test wash cycle in compliance with regulation EN 50229: set wash cycle 2 with a temperature of 60°C.
- 2) Long wash cycle for cottons: set wash cycle 2 with a temperature of 40°C.

Specials wash cycles

Sport Light (wash cycle 9) is for washing lightly soiled sports clothing fabrics (tracksuits, shorts, etc.); for best results, we recommend not exceeding the maximum load indicated in the "Table of wash cycles". We recommend using a liquid detergent and dosage suitable for a half-load.

Sport Shoes (wash cycle 10) is for washing sports shoes; for best results, do not wash more than 2 pairs simultaneously.

Express Wash & Dry (wash cycle 13) was designed to wash and dry lightly soiled garments quickly. This cycle may be used to wash and dry a laundry load of up to 0.5 kg in just 35 minutes.

To achieve optimum results, use liquid detergent and pre-treat cuffs, collars and stains.

Setting the temperature

Turn the TEMPERATURE knob to set the wash temperature (see *Table of wash cycles*).

The temperature may be lowered, or even set to a cold wash ❄️. The washer-dryer will automatically prevent you from selecting a temperature which is higher than the maximum value set for each wash cycle.

Setting the drying cycle

Turn the DRYING knob to select the desired drying option. There are two options:

A - Based on time: From **40** minutes to **180**.

B - Based on the desired laundry dryness level:

Iron dry 🧺: suitable for clothes which will need ironing afterwards. the remaining dampness softens creases, making them easier to remove.

Hanger dry 🧺: ideal for clothes which do not need to be dried fully.

Cupboard dry 🧺: suitable for laundry which can be put back in a cupboard without being ironed.

Table of Drying times (guideline values)

Fabric type	Load type	Max. load (kg)	Cupboard dry 🧺	Hanger dry 🧺	Iron dry 🧺
Cotton	Clothing of different sizes, Terry towels	5	180	170	140
Synthetics	Sheets, Shirts, Pyjamas, socks, etc.	3	140	120	100

If your laundry load to be washed and dried is much greater than the maximum stated load (see adjacent table), perform the wash cycle, and when the cycle is complete, divide the garments into groups and put some of them back in the drum. At this point, follow the instructions provided for a **“Drying only”** cycle. Repeat this procedure for the remainder of the load.

Drying only

Use the cycle selector knob to select a drying cycle (**11-12**) in accordance with the type of fabric. The desired drying level or time may also be set using the DRYING knob.

Functions

The various wash functions available with this washer-dryer will help to achieve the desired results, every time.

To activate the functions:

1. Press the button corresponding to the desired function;
2. the function is enabled when the corresponding indicator light is illuminated.

Note: If the indicator light flashes rapidly, this signals that this particular function may not be selected in conjunction with the selected wash cycle.

EcoTime

Selecting this option enables you to suitably adjust drum rotation, temperature and water to a reduced load of lightly soiled cotton and synthetic fabrics (refer to the *“Table of wash cycles”*). **“EcoTime”** enables you to wash in less time thereby saving water and electricity. We suggest using a liquid detergent suitably measured out to the load quantity.

! This function may not be used in conjunction with cycles 1, 2, 6, 7, 8, 9, 10, 11, 12, 13, 🧺, 🧺, 🧺.

Energy Saver

The **Energy Saver** function saves energy by not heating the water used to wash your laundry - an advantage both to the environment and to your energy bill. Instead, intensified wash action and water optimisation ensure great wash results in the same average time of a standard cycle.

For the best washing results we recommend the usage of a liquid detergent.

! It cannot be used with the 1, 6, 7, 9, 10, 11, 12, 13, 🧺, 🧺, 🧺.

🧺 1600-800

Press this button to reduce the spin speed

! This function may not be used in conjunction with cycles 7, 11, 12, 13, 🧺.

🕒 Delay timer

This timer delays the start time of the wash cycle by up to 9 hours. Press the button repeatedly until the indicator light corresponding to the desired delay time switches on. The fifth time the button is pressed, the function will be disabled.

N.B. Once the START/PAUSE button has been pressed, the delay time can only be modified by decreasing it until launching the set programme.

! This option is enabled with all programmes.

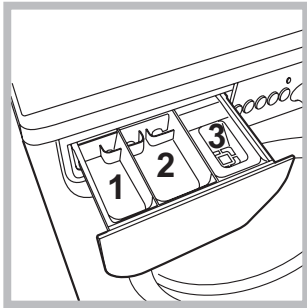
Detergents and laundry

GB

Detergent dispenser drawer

Good washing results also depend on the correct dose of detergent: adding too much detergent will not necessarily result in a more efficient wash, and may in fact cause build up on the inside of your appliance and contribute to environmental pollution.

! Do not use hand washing detergents because these create too much foam.



Open the detergent dispenser drawer and pour in the detergent or washing additive, as follows.

compartment 1: Pre-wash detergent (powder)
compartment 2: Detergent for the wash cycle (powder or liquid)

Liquid detergent should only be poured in immediately prior to the start of the wash cycle.

compartment 3: Additives (fabric softeners, etc.)

The fabric softener should not overflow the grid.


Preparing the laundry

- Divide the laundry according to:
 - the type of fabric/the symbol on the label
 - the colours: separate coloured garments from whites.
- Empty all garment pockets and check the buttons.
- Do not exceed the listed values, which refer to the weight of the laundry when dry: see "Table of wash cycles".

How much does your laundry weigh?

- 1 sheet 400-500 g
- 1 pillow case 150-200 g
- 1 tablecloth 400-500 g
- 1 bathrobe 900-1200 g
- 1 towel 150-250 g

Garments requiring special care

Wool: all wool garments can be washed using programme 6, even those carrying the "hand-wash only"  label. For best results, use special detergents and do not exceed 1,5 kg of laundry.

Silk: use special wash cycle 7 to wash all silk garments. We recommend the use of special detergent which has been designed to wash delicate clothes.

Curtains: fold curtains and place them in a pillow case or mesh bag. Use wash cycle 7.

Jeans: Turn garments inside-out before washing and use a liquid detergent. Use programme 8.

Load balancing system

Before every spin cycle, to avoid excessive vibrations and to distribute the load in a uniform manner, the drum rotates continuously at a speed which is slightly greater than the washing rotation speed. If, after several attempts, the load is not balanced correctly, the machine spins at a reduced spin speed. If the load is excessively unbalanced, the washer-dryer performs the distribution process instead of spinning. To encourage improved load distribution and balance, we recommend small and large garments are mixed in the load.

Your washer-dryer could fail to work. Before contacting the Technical Assistance Centre (see "Assistance"), make sure that the problem cannot be not solved easily using the following list.

Problem:

The Washer-dryer does not switch on.

The wash cycle does not start.

The Washer-dryer does not take in water (the indicator light for the first wash cycle stage flashes rapidly).

The Washer-dryer continuously takes in and drains water.

The Washer-dryer does not drain or spin.

The Washer-dryer vibrates a lot during the spin cycle.

The Washer-dryer leaks.

The "Functions" indicator lights and the "start/pause" indicator light flash, while one of the "phase in progress" indicator lights and the "door locked" indicator light will remain lit in a fixed manner.

There is too much foam.

The washer-dryer does not dry.

Possible causes / Solutions:

- The appliance is not plugged into the socket fully, or is not making contact.
 - There is no power in the house.
 - The Washer-dryer door is not closed properly.
 - The ON/OFF button has not been pressed.
 - The START/PAUSE button has not been pressed.
 - The water tap has not been opened.
 - A delayed start has been set.
 - The water inlet hose is not connected to the tap.
 - The hose is bent.
 - The water tap has not been opened.
 - There is no water supply in the house.
 - The pressure is too low.
 - The START/PAUSE button has not been pressed.
 - The drain hose is not fitted at a height between 65 and 100 cm from the floor (see "Installation").
 - The free end of the hose is under water (see "Installation").
 - The wall drainage system is not fitted with a breather pipe.
- If the problem persists even after these checks, turn off the water tap, switch the appliance off and contact the Assistance Service. If the dwelling is on one of the upper floors of a building, there may be problems relating to water drainage, causing the Washer-dryer to fill with water and drain continuously. Special anti-draining valves are available in shops and help to avoid this inconvenience.
- The wash cycle does not include draining; some wash cycles require the drain phase to be started manually.
 - The drain hose is bent (see "Installation").
 - The drainage duct is clogged.
 - The drum was not unlocked correctly during installation (see "Installation").
 - The Washer-dryer is not level (see "Installation").
 - The Washer-dryer is trapped between cabinets and walls (see "Installation").
 - The water inlet hose is not screwed on properly (see "Installation").
 - The detergent dispenser drawer is blocked (for cleaning instructions, see "Care and maintenance").
 - The drain hose is not fixed properly (see "Installation").
 - Switch off the machine and unplug it, wait for approximately 1 minute and then switch it back on again.
If the problem persists, contact the Technical Assistance Service.
 - The detergent is not suitable for machine washing (it should display the text "for Washer-dryers" or "hand and machine wash", or the like).
 - Too much detergent was used.
 - The appliance is not plugged into the socket, or not enough to make contact.
 - There has been a power failure.
 - The appliance door is not shut properly.
 - A delayed start has been set.
 - DRYING knob is in the 0 position.

Service

GB

Before calling for Assistance:

- Check whether you can solve the problem alone (see “*Troubleshooting*”);
- Restart the programme to check whether the problem has been solved;
- If this is not the case, contact an authorised Technical Assistance Centre using the telephone number provided on the guarantee certificate.

! Always request the assistance of authorised technicians.

Have the following information to hand:

- the type of problem;
- the appliance model (Mod.);
- the serial number (S/N).

This information can be found on the data plate applied to the rear of the washer-dryer, and can also be found on the front of the appliance by opening the door.

ES

Español

IWDC 71680

!  Este símbolo te recuerda que debes leer este manual de instrucciones.

ES

Sumario

Instalación, 14-15

Desembalaje y nivelación
Conexiones hidráulicas y eléctricas
Primer ciclo de lavado
Datos técnicos

Mantenimiento y cuidados, 16

Interrumpir el agua y la corriente eléctrica
Limpiar la lavasecadora
Limpiar el contenedor de detergentes
Cuidar la puerta y el cesto
Limpiar la bomba
Controlar el tubo de alimentación de agua

Precauciones y consejos, 17

Seguridad general
Eliminaciones

Descripción de la lavasecadora y comienzo de un programa, 18-19

Panel de control
Pilotos
Poner en marcha un programa

Programas, 20

Tabla de programas

Personalizaciones, 21

Seleccionar la temperatura
Selecione el secado
Funciones

Detergentes y ropa, 22

Contenedor de detergentes
Preparar la ropa
Prendas especiales
Sistema de equilibrado de la carga

Anomalías y soluciones, 23

Asistencia, 24

Instalación

ES

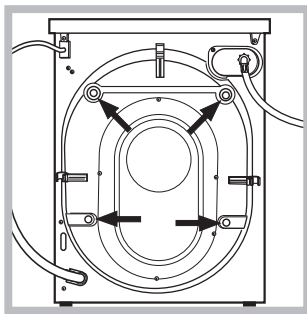
! Es importante conservar este manual para poder consultarlo en cualquier momento. En caso de venta, de cesión o de traslado, verifique que permanezca junto con la lavadora para informar al nuevo propietario sobre el funcionamiento y brindar las correspondientes advertencias.

! Lea atentamente las instrucciones: ellas contienen importante información sobre la instalación, el uso y la seguridad.

Desembalaje y nivelación

Desembalaje

1. Desembale la lavadora.
2. Controle que la lavadora no haya sufrido daños durante el transporte. Si estuviera dañada no la conecte y llame al revendedor.



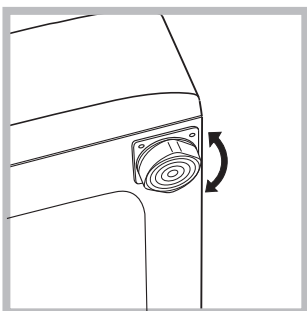
3. Quite los 4 tornillos de protección para el transporte y la arandela de goma con el correspondiente distanciador ubicados en la parte posterior (ver la figura).

4. Cubra los orificios con los tapones de plástico suministrados con el aparato.
5. Conserve todas las piezas: cuando la lavadora deba ser transportada nuevamente, deberán volver a colocarse.

! Los embalajes no son juguetes para los niños.

Nivelación

1. Instale la lavadora sobre un piso plano y rígido, sin apoyarla en las paredes, muebles ni en ningún otro aparato.

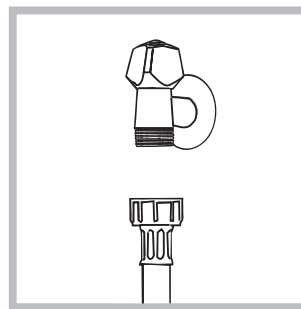


2. Si el piso no está perfectamente horizontal, compense las irregularidades desenroscando o enroscando las patas delanteras (ver la figura); el ángulo de inclinación medido sobre la superficie de trabajo, no debe superar los 2°.

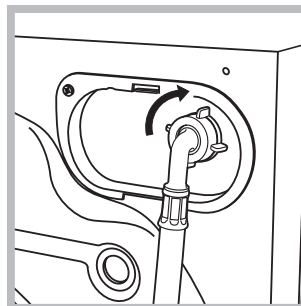
Una cuidadosa nivelación brinda estabilidad a la máquina y evita vibraciones, ruidos y desplazamientos durante el funcionamiento. Cuando se instala sobre moquetas o alfombras, regule los pies para conservar debajo de la lavadora un espacio suficiente para la ventilación.

Conexiones hidráulicas y eléctricas

Conexión del tubo de alimentación de agua



1. Conectar el tubo de tubo enroscándolo a un grifo de agua fría con la boca roscada de 3/4 gas (ver la figura). Antes de conectarlo, haga correr el agua hasta que esté limpia.



2. Conecte el tubo de alimentación a la lavadora enroscándolo en la toma de agua correspondiente ubicada en la parte posterior derecha (arriba) (ver la figura).

3. Controle que en el tubo no hayan pliegues ni estrangulaciones.

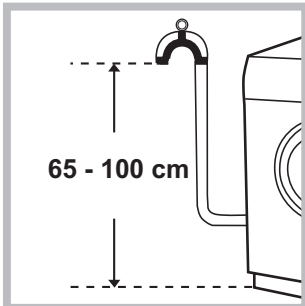
! La presión de agua del grifo debe estar comprendida dentro de los valores contenidos en la tabla de Datos técnicos (ver la página correspondiente).

! Si la longitud del tubo de alimentación no es la suficiente, diríjase a un negocio especializado o a un técnico autorizado.

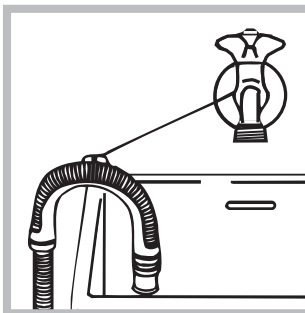
! No utilice nunca tubos ya usados.

! Utilice los suministrados con la máquina.

Conexión del tubo de descarga



Conecte el tubo de descarga, sin plegarlo, a una tubería de descarga o a una descarga de pared colocadas a una altura del piso entre 65 y 100 cm;



o apóyelo en el borde de un lavamanos o de una bañera, uniendo la guía suministrada con el aparato, al grifo (ver la figura). El extremo libre del tubo de descarga no debe permanecer sumergido en el agua.

! No se aconseja utilizar tubos de prolongación, si fuera indispensable hacerlo, la prolongación debe tener el mismo diámetro del tubo original y no superar los 150 cm.

Conexión eléctrica

Antes de enchufar el aparato, verifique que:

- la toma tenga la conexión a tierra y haya sido hecha según las normas legales;
- la toma sea capaz de soportar la carga máxima de potencia de la máquina indicada en la tabla de Datos técnicos (ver al costado);
- la tensión de alimentación esté comprendida dentro de los valores indicados en la tabla de Datos técnicos (ver al costado);
- la toma sea compatible con el enchufe de la lavadora. Si no es así, sustituya la toma o el enchufe.

! La lavadora no debe ser instalada al aire libre, ni siquiera si el lugar está reparado, ya que es muy peligroso dejarla expuesta a la lluvia o a las tormentas.

! Una vez instalada la lavadora, la toma de corriente debe ser fácilmente accesible.

! No utilice prolongaciones ni conexiones múltiples.

! El cable no debe estar plegado ni sufrir compresiones.

! El cable de alimentación debe ser sustituido sólo por técnicos autorizados.

¡Atención! La empresa fabricante declina toda responsabilidad en caso de que estas normas no sean respetadas.

Primer ciclo de lavado

Después de la instalación y antes del uso, realice un ciclo de lavado con detergente y sin ropa, seleccionando el programa 2.

Datos técnicos	
Modelo	IWDC 71680
Dimensiones	ancho 59,5 cm. altura 85 cm. profundidad 53,5 cm.
Capacidad	de 1 a 7 kg para el lavado de 1 a 5 kg para el secado.
Conexiones eléctricas	ver la placa de características técnicas aplicada en la máquina
Conexiones hídricas	presión máxima 1 MPa (10 bar) presión mínima 0,05 MPa (0,5 bar) capacidad del cesto 52 litros
Velocidad de centrifugado	máxima 1600 r.p.m.
Programas de control según la norma EN 50229	lavado: programa 2; temperatura 60°C; efectuado con 7 kg. de carga. secado: el secado de la carga menor debe realizarse seleccionando el nivel de secado Δ , la carga de ropa se debe componer de 2 sábanas, 1 fundas y 1 toalla; el secado de la carga que queda debe realizarse seleccionando el nivel de secado \square .
 	Esta máquina cumple con lo establecido por las siguientes Directivas de la Comunidad: - 2004/108/CE (Compatibilidad Electromagnética) - 2002/96/CE - 2006/95/CE (Baja Tensión)

Mantenimiento y cuidados

ES

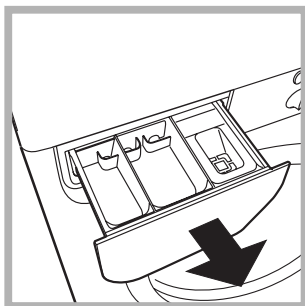
Interrumpir el agua y la corriente eléctrica

- Cierre el grifo de agua después de cada lavado. De este modo se limita el desgaste de la instalación hidráulica de la lavadora y se elimina el peligro de pérdidas.
- Desenchufe la máquina cuando la debe limpiar y durante los trabajos de mantenimiento.

Limpiar la lavadora

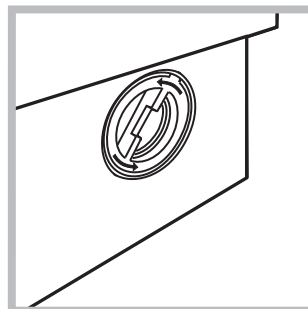
La parte externa y las partes de goma se pueden limpiar con un paño embebido en agua tibia y jabón. No use solventes ni productos abrasivos.

Limpiar el contenedor de detergentes



Extraiga el contenedor levantándolo y tirándolo hacia fuera (ver la figura).

Lávalo debajo del agua corriente, esta limpieza se debe realizar frecuentemente.



2. desenrosque la tapa girándola en sentido antihorario (ver la figura); es normal que se vuelque un poco de agua;

3. limpie con cuidado el interior;
4. vuelva a enroscar la tapa;
5. vuelva a montar el panel verificando, antes de empujarlo hacia la máquina, que los ganchos se hayan introducido en las correspondientes ranuras.

Controlar el tubo de alimentación de agua

Controle el tubo de alimentación al menos una vez al año. Si presenta grietas o rajaduras debe ser sustituido: durante los lavados, las fuertes presiones podrían provocar roturas imprevistas.

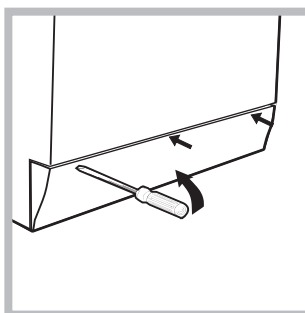
! No utilice nunca tubos ya usados.

Cuidar la puerta y el cesto

- Deje siempre semicerrada la puerta para evitar que se formen malos olores.

Limpiar la bomba

La lavadora posee una bomba autolimpiante que no necesita mantenimiento. Pero puede suceder que objetos pequeños (monedas, botones) caigan en la precámara que protege la bomba, situada en la parte inferior de la misma. ! Verifique que el ciclo de lavado haya terminado y desenchufe la máquina.



Para acceder a la precámara:

1. quite el panel que cubre la parte delantera de la lavadora con la ayuda de un destornillador (ver la figura);

! La lavasecadora fue proyectada y fabricada en conformidad con las normas internacionales de seguridad. Estas advertencias se suministran por razones de seguridad y deben ser leídas atentamente.

Seguridad general

- Este aparato ha sido fabricado para un uso de tipo doméstico exclusivamente.
- El aparato no debe ser empleado por personas (niños incluidos) con capacidades físicas, sensoriales o mentales reducidas y con experiencias y conocimientos insuficientes, a menos que dicho uso no se realice bajo la supervisión o las instrucciones de una persona responsable de su seguridad.
Los niños deben ser vigilados para asegurarse que no jueguen con el aparato.
 - No secar prendas no lavadas.
 - Las prendas sucias con sustancias como aceite de cocina acetona, alcohol, gasolina, kerosén, quitamanchas, trementina, cera o sustancias para quitarlas, deben lavarse con agua caliente con una cantidad mayor de detergente antes de secarlas en la secadora.
 - Objetos como la goma expandida (látex), las gorras de ducha, los materiales textiles impermeables, los artículos con un lado de goma y las prendas o cojines que tienen partes de látex no deben secarse en la secadora.
 - Suavizantes o productos similares deben emplearse de acuerdo con las instrucciones del fabricante.
 - La parte final de un ciclo de la secadora se realiza sin calor (ciclo de enfriamiento) para garantizar que los artículos no se dañen.**ATENCIÓN:** Nunca detener una secadora antes que finalice el programa de secado. En este caso, sacar con rapidez todas las prendas y colgarlas para enfriarlas con celeridad.
- No toque la máquina con los pies desnudos ni con las manos o los pies mojados o húmedos.
- No desenchufe la máquina tirando el cable, sino tomando el enchufe.
- No toque el agua de descarga porque puede alcanzar temperaturas elevadas.
- Nunca fuerce la puerta: podría dañarse el mecanismo de seguridad que la protege de aperturas accidentales.
- En caso de avería, no acceda nunca a los mecanismos internos para intentar una reparación.
- Controle siempre que los niños no se acerquen a la máquina cuando está en funcionamiento.
- Si debe ser trasladada, deberán intervenir dos o más personas, procediendo con el máximo cuidado. La máquina no debe ser desplazada nunca por una sola persona ya que es muy pesada.
- Antes de introducir la ropa controle que el cesto esté vacío.
- Durante el secado la puerta tiende a calentarse.
- No seque ropa lavada con solventes inflamables (por ej. tricloroetileno).

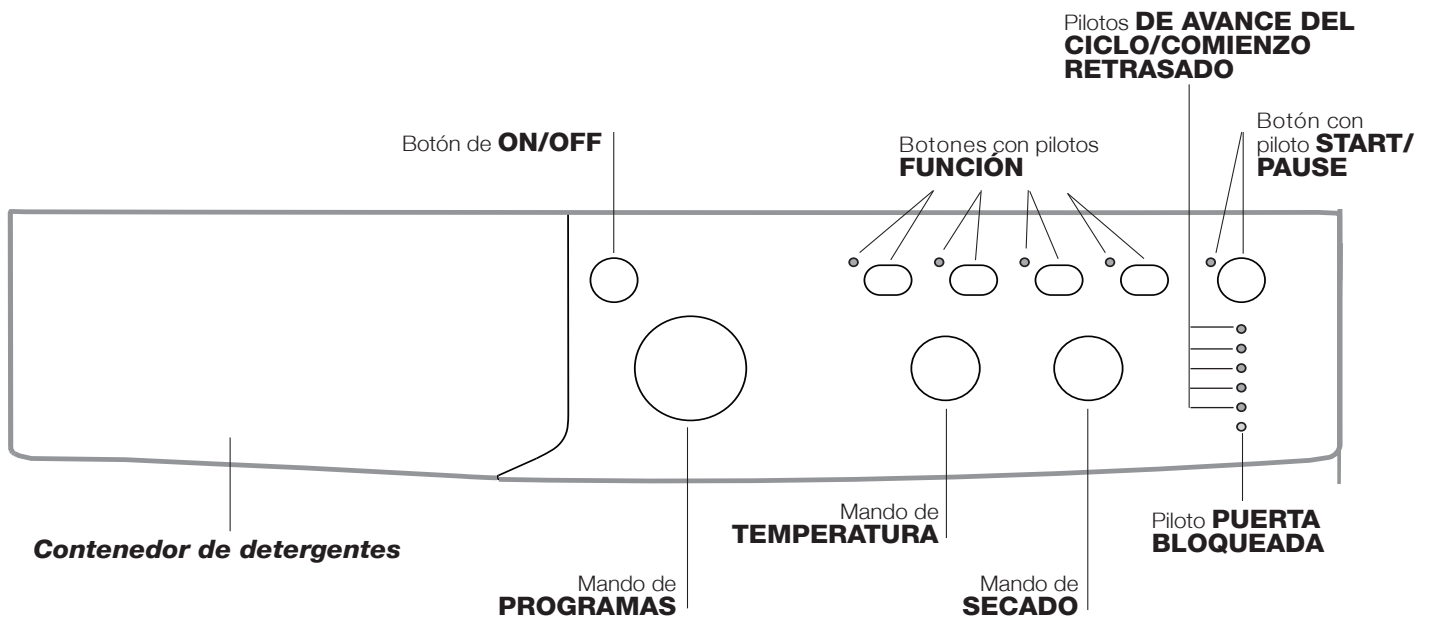
- No seque gomaespuma o elastómeros análogos.
- Verifique que, durante las fases de secado, el grifo de agua esté abierto.

Eliminaciones

- Eliminación del material de embalaje: respete las normas locales, de ese modo, los embalajes podrán volver a ser utilizados.
- En base a la Norma europea 2002/96/CE de Residuos de aparatos Eléctricos y Electrónicos, los electrodomésticos viejos no pueden ser arrojados en los contenedores municipales habituales; tienen que ser recogidos selectivamente para optimizar la recuperación y reciclado de los componentes y materiales que los constituyen, y reducir el impacto en la salud humana y el medioambiente. El símbolo del cubo de basura tachado se marca sobre todos los productos para recordar al consumidor la obligación de separarlos para la recogida selectiva. El consumidor debe contactar con la autoridad local o con el vendedor para informarse en relación a la correcta eliminación de su electrodoméstico viejo.

Descripción de la lavasecadora y comienzo de un programa

Panel de control



Contenedor de detergentes: para cargar detergentes y aditivos (ver “Detergentes y ropa”).

Botón de **ON/OFF:** para encender y apagar la lavasecadora.

Mando de **PROGRAMAS:** para elegir los programas. Durante el funcionamiento del programa el mando no se mueve.

Botones con pilotos de **FUNCIÓN:** para seleccionar las funciones disponibles. El piloto correspondiente a la función seleccionada permanecerá encendido.

Mando de **SECADO:** para seleccionar el secado deseado (ver “Personalizaciones”).

Mando de **TEMPERATURA:** para seleccionar la temperatura o el lavado en frío (ver “Personalizaciones”).


Pilotos **DE AVANCE DEL CICLO/COMIENZO RETRASADO:** para seguir el estado de avance del programa de lavado.

El piloto encendido indica la fase en curso.

Si se seleccionó la función “Comienzo retrasado”, indicarán el tiempo que falta para la puesta en marcha del programa (ver la página correspondiente).

Piloto **PUERTA BLOQUEADA:** para saber si la puerta se puede abrir (ver la página correspondiente).

Botón con piloto **START/PAUSE:** se utiliza para poner en marcha los programas o interrumpirlos momentáneamente.

Nota: Presione este botón para poner en pausa el lavado en curso, el piloto correspondiente centelleará con color anaranjado mientras que el de la fase en curso permanecerá encendido en forma fija. Si el piloto PUERTA BLOQUEADA  está apagado, se podrá abrir la puerta.

Para que el lavado se reanude a partir del momento en el cual fue interrumpido, presione nuevamente este botón.

Modalidad de stand by

Esta lavadora está en conformidad con las nuevas normativas vinculadas al ahorro energético. Está dotada de un sistema de auto-apagado (stand by) que, en caso de no funcionamiento, se activa pasados aproximadamente 30 minutos. Presionar brevemente el botón ON-OFF y esperar que la máquina se active.

Consumo en off-mode: 0,5 W

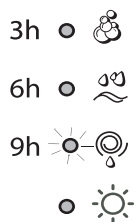
Consumo en Left-on: 0,5 W

Pilotos

Los pilotos suministran información importante. He aquí lo que nos dicen:

Comienzo retrasado

Si se ha activado la función “Comienzo retrasado” (ver “Personalizaciones”), después de haber puesto en marcha el programa, comenzará a centellear el piloto correspondiente al retraso seleccionado:








Con el transcurrir del tiempo se visualizará el retraso residual con el centelleo de la luz testigo correspondiente:



Una vez transcurrido el tiempo de retraso seleccionado, comenzará el programa.

Pilotos fase en curso

Una vez seleccionado y puesto en marcha el ciclo de lavado deseado, las luces testigo se encenderán progresivamente para indicar su estado de avance:

Lavado	
Aclarado	
Centrifugado/Descarga	
Secado	
Fin del Lavado	

Nota: al finalizar el ciclo de secado es necesario llevar el mando SECADO hasta la posición “0”.


Botones de función y pilotos correspondientes

Seleccionando una función, el piloto correspondiente se iluminará. Si la función seleccionada no es compatible con el programa elegido, el piloto correspondiente centelleará y la función no se activará. Si la función elegida no es compatible con otra seleccionada precedentemente, el piloto correspondiente a la primera función seleccionada centelleará y se activará sólo la segunda, el piloto de la función activada se iluminará.

Piloto puerta bloqueada

El piloto encendido indica que la puerta está bloqueada impidiendo su apertura; para poder abrir la puerta es necesario que dicho piloto esté apagado (espere 3 minutos aproximadamente). Para abrir la puerta mientras un ciclo está en curso, presione el botón START/PAUSE; si el piloto PUERTA BLOQUEADA está apagado, será posible abrir la puerta.




Poner en marcha un programa

1. Encienda la lavasecadora presionando el botón ON/OFF. Todos los pilotos se encenderán durante algunos segundos, luego se apagarán y se deberá pulsar el piloto START/PAUSE.
2. Cargue la ropa y cierre la puerta.
3. Seleccione el programa deseado con el mando de PROGRAMAS.
4. Fije la temperatura de lavado (ver “Personalizaciones”).
5. Seleccione el secado, si es necesario (ver “Personalizaciones”).
6. Vierta detergente y aditivos (ver “Detergentes y ropa”).
7. Seleccione las funciones deseadas.
8. Ponga en marcha el programa presionando el botón START/PAUSE y el piloto correspondiente permanecerá encendido, fijo y de color verde. Para anular el ciclo seleccionado ponga en pausa la máquina presionando el botón START/PAUSE y elija un nuevo ciclo.
9. Al final del programa se iluminará el piloto **END**. Cuando el piloto PUERTA BLOQUEADA  se apague, será posible abrir la puerta. Extraiga la ropa y deje la puerta semicerrada para permitir que el cesto se seque. Apague la lavasecadora presionando el botón ON/OFF.

Programas

ES

Tabla de programas

Programas	Descripción del Programa	Temp. max. (°C)	Velocidad máx. (r.p.m.)	Secado	Detergentes			Carga máx. (Kg.)	Duración del ciclo
					Prelavado	Lavado	Suavizante		
Diario (programas para todos los días)									
1	Prelavado Algodón: blancos sumamente sucios.	90°	1600	●	●	●	●	7	170'
2	Algodón: blancos sumamente sucios.	90°	1600	●	-	●	●	7	155'
2	Algodón (1): blancos y colores resistentes muy sucios.	60°	1600	●	-	●	●	7	155'
2	Algodón (2): blancos y colores delicados muy sucios.	40°	1600	●	-	●	●	7	145'
3	Algodón: blancos sumamente sucios.	60°	1600	●	-	●	●	7	130'
4	Algodón de color: blancos poco sucios y colores delicados.	40°	1600	●	-	●	●	7	90'
5	Sintético: colores resistentes muy sucios.	60°	800	●	-	●	●	3	85'
Programas Especiales									
6	Lana: para lana, cachemira, etc.	40°	800	-	-	●	●	1,5	55'
7	Seda/Cortinas: para prendas de seda, viscosa, lencería.	30°	0	-	-	●	●	1	55'
8	Jeans	40°	800	●	-	●	●	3	80'
9	Sport Light	30°	600	-	-	●	●	3	70'
10	Sport Shoes	30°	600	-	-	●	●	Max.2 pares	50'
Programas de Secado									
11	Algodón	-	-	●	-	-	-	5	-
12	Sintético	-	-	●	-	-	-	3	-
13	Express Wash & Dry	30°	1600	●	-	●	●	0,5	35'
Programas Parciales									
	Aclarado	-	1600	●	-	-	●	7	36'
	Centrifugado	-	1600	●	-	-	-	7	16'
	Descarga	-	0	-	-	-	-	7	2'

La duración del ciclo que se indica en el visor o en el manual es una estimación calculada en base a condiciones estándar. El tiempo efectivo puede variar en función de numerosos factores como la temperatura y la presión del agua de entrada, la temperatura ambiente, la cantidad de detergente, la cantidad y el tipo de carga, el equilibrado de la carga y las opciones adicionales seleccionadas.

Para todos los Test Institutes:

- 1) Programa de control según la norma EN 50229: seleccione el programa 2 con una temperatura de 60°C.
- 2) Programa algodón largo: seleccione el programa 2 con una temperatura de 40°C.

Programas particulares

Sport Light (programa 9) ha sido estudiado para lavar tejidos usados en prendas deportivas (chándales, pantalones cortos, etc.) poco sucios; para obtener los mejores resultados es aconsejable no superar la carga máxima indicada en la "Tabla de programas". Se recomienda utilizar detergente líquido y la dosis correspondiente a la media carga.

Sport Shoes (programa 10) ha sido estudiado para lavar calzado deportivo; para obtener los mejores resultados no lave más de 2 pares a la vez.

Express Wash & Dry (programa 13) ha sido estudiado para lavar y secar prendas ligeramente sucias y en poco tiempo: Seleccionando este ciclo se puede lavar y secar hasta 0,5 kg de ropa en sólo 35 minutos.

Para alcanzar los mejores resultados utilizar detergente líquido; pre-tratar puños, cuellos y manchas.

Seleccionar la temperatura

Girando el mando de la TEMPERATURA se selecciona la temperatura de lavado (ver la *Tabla de programas*).

La temperatura se puede disminuir hasta el lavado en frío (❄️).

La máquina impedirá automáticamente seleccionar una temperatura mayor que la máxima prevista para cada programa.

Seleccione el secado

Girando el mando de SECADO se selecciona el tipo de secado deseado. Se han previsto dos posibilidades:

A - En base al tiempo: de **40 a 180** minutos.

B - En base al nivel de humedad de las prendas secadas:

No Plancha (☞): prendas ligeramente húmedas, fáciles de planchar.

Para Colgar (👕): prendas secas listas para guardar.

Para Doblar (📄): prendas muy secas, aconsejado para toallas y batas.

Si excepcionalmente la carga de ropa para lavar y secar es superior al máximo previsto (ver la *Tabla de tiempos de Secado*), realice el lavado, y una vez finalizado el programa, divida la carga y coloque una parte en el cesto.

A partir de ese momento, siga las instrucciones para efectuar “**Sólo secado**”.

Repita las mismas operaciones para la carga restante.

Tabla de tiempos de Secado (Valores indicativos)

Tipo de tela	Tipo de carga	Carga máx. (kg)	Para Doblar (📄)	Para Colgar (👕)	No Plancha (☞)
Algodón	Ropa de distintas dimensiones, toallas	5	180	170	140
Sintéticos	Sábanas, Camisas, Pijamas, calcetines, etc.	3	140	120	100

Sólo secado

Gire el mando PROGRAMAS hasta una de las posiciones de secado (**11-12**) según el tipo de tejido, luego seleccione la duración del ciclo de secado deseado con el mando SECADO.

Funciones

Las distintas funciones de lavado previstas por la lavasecadora permiten obtener la limpieza y el blanco deseados.

Para activar las funciones:

1. presione el botón correspondiente a la función deseada;
2. el encendido del piloto correspondiente indica que la función está activa.

Nota: El centelleo rápido del piloto indica que la función correspondiente no se puede seleccionar para el programa elegido.

EcoTime

Seleccionando esta opción, se optimizan el movimiento mecánico, la temperatura y el agua para una carga reducida de prendas de algodón y sintéticas poco sucias (ver la “*Tabla de programas*”).

Con “EcoTime” se puede lavar en un tiempo menor, ahorrando agua y energía. Se aconseja utilizar una dosis de detergente líquido adecuada a la cantidad de carga.

! No se puede activar con los programas 1, 2, 6, 7, 8, 9, 10, 11, 12, 13, 🌀, 🕒, 🌊.

Energy Savér

La función Energy Savér contribuye al ahorro energético porque no calienta el agua utilizada para lavar la ropa, esto constituye una ventaja tanto para el ambiente como para la factura de electricidad. La mayor potencia y el consumo optimizado del agua, garantizan óptimos resultados para la misma duración promedio de un ciclo estándar. Para obtener los mejores resultados de lavado, se aconseja el uso de un detergente líquido.

! No se puede activar con los programas 1, 6, 7, 9, 10, 11, 12, 13, 🌀, 🕒, 🌊.

🕒 1600-800

Presionando este botón se disminuye la velocidad de centrifugado.

! No se puede activar con los programas 7, 11, 12, 13, 🌊.

🕒 Comienzo retrasado

Retrasa la puesta en marcha de la máquina hasta 9 horas.

Presione varias veces el botón hasta hacer encender la luz testigo correspondiente al retraso deseado. La quinta vez que se presione el botón, la función se desactivará.

Nota: Una vez presionado el botón START/PAUSE, se puede modificar el valor del retraso sólo disminuyéndolo hasta que se ponga en marcha el programa seleccionado.

! Se puede utilizar en todos los programas.

Detergentes y ropa

ES

Contenedor de detergentes

El buen resultado del lavado depende también de la correcta dosificación del detergente: si se excede la cantidad, no se lava de manera más eficaz, sino que se contribuye a encostrar las partes internas de la lavasecadora y a contaminar el medio ambiente.

! No use detergentes para el lavado a mano porque producen demasiada espuma.



Extraiga el contenedor de detergentes e introduzca el detergente o el aditivo de la siguiente manera:

cupeta 1: Detergente para prelavado (en polvo)

cupeta 2: Detergente para lavado (en polvo o líquido)

El detergente líquido se debe verter sólo antes de la puesta en marcha.

cupeta 3: Aditivos (suavizante, etc.)

El suavizante no se debe volcar fuera de la rejilla.

Preparar la ropa

- Subdivida la ropa según:
 - el tipo de tejido / el símbolo en la etiqueta.
 - los colores: separe las prendas de color y las blancas.
- Vacíe los bolsillos y controle los botones.
- No supere los valores indicados en la "Tabla de Programas" referidos al peso de la ropa seca.

¿Cuánto pesa la ropa?

- 1 sábana 400/500 g
- 1 funda 150/200 g
- 1 mantel 400/500 g
- 1 albornoz 900/1200 g
- 1 toalla 150/250 g

Prendas especiales

Lana: con el programa 6 es posible lavar en la lavasecadora todas las prendas de lana, aún las que contienen la etiqueta "sólo lavado a mano" Para obtener los mejores resultados utilice un detergente específico y no supere 1,5 Kg. de ropa.

Seda: utilice el programa correspondiente 7 para lavar todas las prendas de seda. Se aconseja el uso de un detergente específico para prendas delicadas.

Cortinas: pliéguelas y colóquelas dentro de una funda o de una bolsa de red. Utilice el programa 7.

Jeans: vuelva del revés las prendas antes del lavado y utilice un detergente líquido. Utilice el programa 8.

Sistema de equilibrado de la carga

Antes de cada centrifugado, para evitar vibraciones excesivas y para distribuir la carga de modo uniforme, el cesto realiza rotaciones a una velocidad ligeramente superior a la del lavado. Si después de varios intentos, la carga todavía no está correctamente equilibrada, la máquina realiza el centrifugado a una velocidad inferior a la prevista. Cuando existe un excesivo desequilibrio, la lavasecadora realiza la distribución antes que el centrifugado. Para obtener una mejor distribución de la carga y su correcto equilibrado, se aconseja mezclar prendas grandes y pequeñas.

Puede suceder que la lavasecadora no funcione. Antes de llamar al Servicio de Asistencia Técnica (ver "Asistencia"), controle que no se trate de un problema de fácil solución utilizando la siguiente lista.

Anomalías:

La lavasecadora no se enciende.

El ciclo de lavado no comienza.

La lavasecadora no carga agua (centellea rápidamente el piloto de la primera fase de lavado).

La lavasecadora carga y descarga agua continuamente.

La lavasecadora no descarga o no centrifuga.

La lavasecadora vibra mucho durante la centrifugación.

La lavasecadora pierde agua.

Los pilotos de las "Funciones" y el piloto de "START/PAUSE" parpadean y uno de los pilotos de la "fase en curso" y de "puerta bloqueada" quedan encendidos con la luz fija.

Se forma demasiada espuma.

La Lavasecadora no seca.

Posibles causas / Solución:

- El enchufe no está introducido en la toma de corriente, o no hace contacto.
 - En la casa no hay corriente.
 - La puerta no está correctamente cerrada.
 - El botón ON/OFF no ha sido presionado.
 - El botón START/PAUSE no ha sido presionado.
 - El grifo de agua no está abierto.
 - Se fijó un retraso de la hora de puesta en marcha.
 - El tubo de alimentación de agua no está conectado al grifo.
 - El tubo está plegado.
 - El grifo de agua no está abierto.
 - En la casa no hay agua.
 - No hay suficiente presión.
 - El botón START/PAUSE no ha sido presionado.
 - El tubo de descarga no está instalado entre los 65 y 100 cm. del suelo (ver "Instalación").
 - El extremo del tubo de descarga está sumergido en el agua (ver "Instalación").
 - La descarga de pared no posee un respiradero.
- Si después de estas verificaciones, el problema no se resuelve, cierre el grifo de agua, apague la lavasecadora y llame a la Asistencia. Si la vivienda se encuentra en uno de los últimos pisos de un edificio, es posible que se verifiquen fenómenos de sifonaje, por ello la lavasecadora carga y descarga agua de modo continuo. Para eliminar este inconveniente se encuentran disponibles en el comercio válvulas especiales que permiten evitar el sifonaje.
- El programa no prevé la descarga: con algunos programas es necesario ponerla en marcha manualmente.
 - El tubo de descarga está plegado (ver "Instalación").
 - El conducto de descarga está obstruido.
 - El cesto, en el momento de la instalación, no fue desbloqueado correctamente (ver "Instalación").
 - La máquina no está instalada en un lugar plano (ver "Instalación").
 - Existe muy poco espacio entre la máquina, los muebles y la pared (ver "Instalación").
 - El tubo de alimentación de agua no está bien enroscado (ver "Instalación").
 - El contenedor de detergentes está obstruido (para limpiarlo ver "Mantenimiento y cuidados").
 - El tubo de descarga no está bien fijado (ver "Instalación").
 - Apague la máquina y desenchúfela, espere aproximadamente 1 minuto y luego vuelva a encenderla.
Si la anomalía persiste, llame al Servicio de Asistencia Técnica.
 - El detergente no es específico para la lavasecadora (debe contener algunas de las frases "para lavasecadora", "a mano o en lavasecadora" o similares).
 - La dosificación fue excesiva.
 - El enchufe no está introducido en la toma de corriente, o no hace contacto.
 - En la casa no hay corriente.
 - La puerta no está bien cerrada.
 - Se fijó un retraso de la hora de puesta en funcionamiento.
 - El mando de SECADO está en la posición 0.

Asistencia

ES

Antes de llamar al Servicio de Asistencia Técnica:

- Verifique si la anomalía la puede resolver Ud. solo (ver "Anomalías y soluciones");
- Vuelva a poner en marcha el programa para controlar si el inconveniente fue resuelto;
- Si no es así, llame al Servicio de Asistencia técnica autorizado, al número de teléfono indicado en el certificado de garantía.

! No recurra nunca a técnicos no autorizados.

Comuníquese:

- el tipo de anomalía;
- el modelo de la máquina (Mod.);
- el número de serie (S/N).

Esta información se encuentra en la placa aplicada en la parte posterior de la lavasecadora y en la parte delantera abriendo la puerta.

La siguiente información es válida solo para España.

Para otros países de habla hispana consulte a su vendedor.

Ampliación de garantía

Llame al **902.363.539** y le informaremos sobre el fantástico plan de ampliación de garantía hasta 5 años.

Consiga una cobertura total adicional de

- Piezas y componentes
- Mano de obra de los técnicos
- Desplazamiento a su domicilio de los técnicos

Y NO PAGUE AVERIAS NUNCA MAS

Servicio de asistencia técnica (SAT)

Llame al **902.133.133** y nuestros técnicos intervendrán con rapidez y eficacia, devolviendo el electrodoméstico a sus condiciones óptimas de funcionamiento.


En el SAT encontrará recambios, accesorios y productos específicos para la limpieza y mantenimiento de su electrodoméstico a precios competitivos.

ESTAMOS A SU SERVICIO

NL

Nederlands

IWDC 71680

 Dit symbool herinnert u eraan om deze gebruikshandleiding te lezen.

Inhoud

Installatie, 26-27

Uitpakken en waterpas zetten
Hydraulische en elektrische aansluitingen
Eerste wascyclus
Technische gegevens

Onderhoud en verzorging, 28

Afsluiten van water en stroom
Reinigen van de wasdroogmachine
Reinigen van het wasmiddelbakje
Onderhoud van deur en trommel
Reinigen van de pomp
Controleren van de buis van de watertoevoer

Voorzorgsmaatregelen en advies, 29

Algemene veiligheid
Afvalverwijdering

Beschrijving van de wasdroogmachine en starten van een programma, 30-31

Bedieningspaneel
Controlelampjes
Een programma starten

Programma's, 32

Programmatabel

Persoonlijke instellingen, 33

Instellen van de temperatuur
Instellen van het drogen
Functies

Wasmiddelen en wasgoed, 34

Wasmiddelbakje
Vorbereiden van het wasgoed
Bijzondere kledingstukken
Balanceersysteem van de lading

Storingen en oplossingen, 35

Service, 36

Installatie

NL

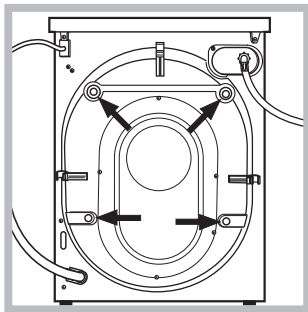
! Het is belangrijk deze handleiding te bewaren voor latere raadpleging. In het geval u het apparaat verkoopt, of u verhuist, moet het boekje bij de wasautomaat blijven zodat de nieuwe gebruiker de functies en betreffende raadgevingen kan doornemen.

! Lees de instructies aandachtig door: u vindt er belangrijke informatie betreffende installatie, gebruik en veiligheid.

Uitpakken en waterpas zetten

Uitpakken

1. De wasautomaat uitpakken.
2. Controleer of de wasautomaat geen schade heeft geleden gedurende het vervoer. Indien dit wel het geval is moet hij niet worden aangesloten en moet u contact opnemen met de handelaar.

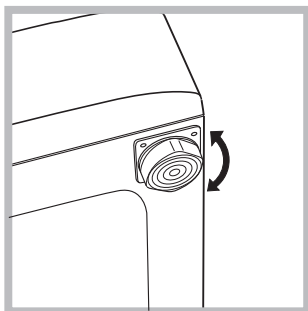


3. Verwijder de 4 schroeven die het apparaat beschermen tijdens het vervoer en de rubberen ring met bijbehorende afstandslider die zich aan de achterkant bevinden (zie afbeelding).

4. Sluit de openingen af met de bijgeleverde plastic doppen.
 5. Bewaar alle onderdelen: mocht de wasautomaat ooit worden vervoerd, dan moeten deze weer worden aangebracht.
- ! Het verpakkingsmateriaal is geen speelgoed voor kinderen.

Waterpas zetten

1. Installeer de wasautomaat op een rechte en stevige vloer en laat hem niet steunen tegen een muur, meubel of dergelijke.

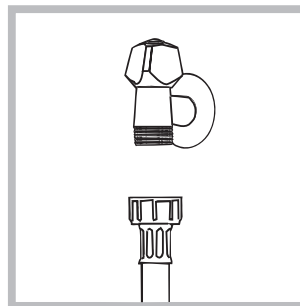


2. Als de vloer niet volledig horizontaal is kunt u de onregelmatigheid opheffen door de stelvoetjes aan de voorkant losser of vaster te schroeven (zie afbeelding); de

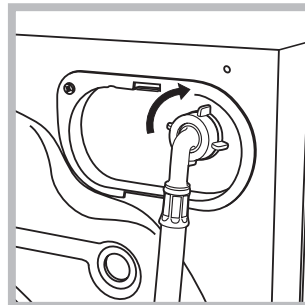
inclinatiehoek, gemeten ten opzichte van het werkvlak, mag de 2° niet overschrijden. Een correcte nivellering geeft de machine stabiliteit en voorkomt trillingen, lawaai en het zich verplaatsen van de automaat tijdens de werking. In het geval van vloerbedekking of een tapijt regelt u de stelvoetjes zodanig dat onder de wasmachine genoeg plaats is voor ventilatie.

Hydraulische en elektrische aansluitingen

Aansluiting van de watertoevoerbuis



1. Sluit de toevoerbuis aan op de koudwaterkraan met een mondstuk met schroefdraad van 3/4 gas (zie afbeelding). Voordat u de wasautomaat aansluit moet u het water laten lopen totdat het helder is.



2. Verbind de watertoevoerbuis aan de wasautomaat door hem op de betreffende watertoevoer te schroeven, rechtsboven aan de achterkant (zie afbeelding).

3. Let erop dat er geen knellingen of kronkels in de buis zijn.

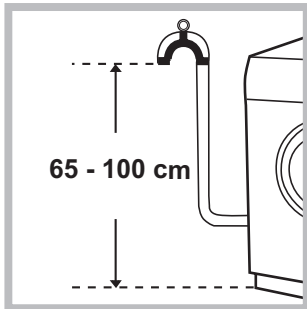
! De waterdruk van de kraan moet zich binnen de waarden van de tabel Technische Gegevens bevinden (zie bladzijde hiernaast).

! Als de toevoerbuis niet lang genoeg is moet u zich wenden tot een gespecialiseerde winkel of een bevoegde installateur.

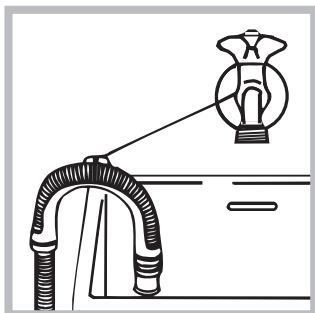
! Gebruik nooit tweedehands buizen.

! Gebruik de buizen die bij het apparaat worden geleverd.

Aansluiting van de afvoerbuīs



Verbind de buīs, zonder hem te buigen, aan een afvoerleiding of aan een afvoer in de muur tussen de 65 en 100 cm van de grond



af of hang hem aan de rand van een wasbak of badkuip, en bind de bijgeleverde steun aan de kraan (zie afbeelding). Het uiteinde van de afvoerslang mag niet onder water hangen.

! Gebruik nooit verlengstukken voor de buīs; indien dit niet te vermijden is moet het verlengstuk dezelfde doorsnede hebben als de oorspronkelijke buīs en mag hij niet langer zijn dan 150 cm.

Elektrische aansluiting

Voordat u de stekker in het stopcontact steekt moet u zich ervan verzekeren dat:

- het stopcontact geaard is en voldoet aan de geldende normen;
- het stopcontact het maximum vermogen van de wasautomaat kan dragen, zoals aangegeven in de tabel Technische Gegevens (zie hiernaast);
- de spanning zich bevindt tussen de waarden die zijn aangegeven in de tabel Technische Gegevens (zie hiernaast);
- de contactdoos geschikt is voor de stekker van de wasautomaat. Indien dit niet zo is moet de stekker of het stopcontact vervangen worden.

! De wasautomaat mag niet buitenshuis worden geïnstalleerd, ook niet op een beschutte plaats, aangezien het gevaarlijk is hem aan regen en onweer bloot te stellen.

! Als de wasautomaat is geïnstalleerd moet het stopcontact gemakkelijk te bereiken zijn.

! Gebruik geen verlengsnoeren of dubbelstekkers.

! Het snoer mag niet gebogen of samengedrukt worden.

! De voedingskabel mag alleen door een bevoegde installateur worden vervangen.

Belangrijk! De fabrikant kan niet aansprakelijk worden gesteld wanneer deze normen niet worden nageleefd.

Eerste wascyclus

Na de installatie en voor u de wasautomaat in gebruik neemt, dient u een wascyclus uit te voeren met wasmiddel maar zonder wasgoed, op het programma 2.

Technische gegevens

Model	IWDC 71680
Afmetingen	breedte cm 59,5 hoogte cm 85 diepte cm 53,5
Vermogen	van 1 tot 7 kg voor het wassen van 1 tot 5 kg voor het drogen
Elektrische aansluitingen	zie het typeplaatje met de technische eigenschappen dat op het apparaat is bevestigd
Aansluiting waterleiding	max. druk 1 MPa (10 bar) min. druk 0,05 MPa (0,5 bar) Inhoud trommel 52 liters
Snelheid centrifuge	tot 1600 toeren per minuut
Controleprogramma's volgens de norm EN 50229	Wassen: programma 2; temperatuur 60°C; uitgevoerd met 7 kg lading. Drogen: het drogen van de kleinste lading moet worden uitgevoerd door het selecteren van het droogniveau "☰". De lading moet bestaan uit 2 lakens, 1 kussensloop en 1 handdoek; het drogen van het overgebleven wasgoed moet worden uitgevoerd door het droogniveau "☰" te selecteren.
 	Deze apparatuur voldoet aan de volgende EEC voorschriften: - 2004/108/CE (Elektromagnetische compatibiliteit) - 2002/96/CE - 2006/95/CE (Laagspanning)

Onderhoud en verzorging

NL

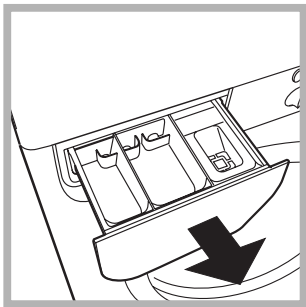
Afsluiten van water en stroom

- Sluit na iedere wasbeurt de kraan af. Hiermee beperkt u slijtage van de waterinstallatie van de wasmachine en voorkomt u lekkage.
- Sluit altijd eerst de stroom af voordat u de wasautomaat gaat schoonmaken en gedurende onderhoudswerkzaamheden.

Reinigen van de wasautomaat

De buitenkant en de rubberen onderdelen kunnen met een spons en een lauw sopje worden schoongemaakt. Gebruik nooit schuurmiddelen of oplosmiddelen.

Reinigen van het wasmiddelbakje



Verwijder het bakje door het op te lichten en naar voren te trekken (zie afbeelding). Was het onder stromend water. Dit moet u regelmatig doen.

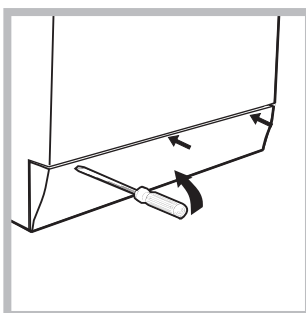
Onderhoud van deur en trommel

- Laat de deur altijd op een kier staan om nare luchtjes te vermijden.

Reinigen van de pomp

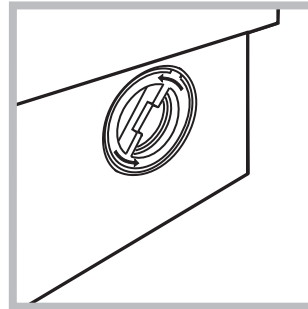
De wasautomaat is voorzien van een zelfreinigende pomp en hoeft dus niet te worden onderhouden. Het kan echter gebeuren dat kleine voorwerpen (muntjes, knopen) in het voorvakje dat de pomp beschermt en zich aan de onderkant ervan bevindt, terechtkomen.

! Verzeker u ervan dat de wascyclus klaar is en haal de stekker uit het stopcontact.



Toegang tot het voorvakje:

1. verwijder het afdekpaneel aan de voorkant van de wasautomaat met behulp van een schroevendraaier (zie afbeelding);



2. draai het deksel eraf, tegen de klok in (zie afbeelding); het is normaal dat er een beetje water uit komt;

3. maak de binnenkant goed schoon;
4. schroef het deksel er weer op;
5. monteer het paneel weer, met de haakjes goed bevestigd in de juiste openingen, voordat u het paneel tegen de machine aandrukt.

Controleren van de buis van de watertoevoer

Controleer minstens eenmaal per jaar de slang van de watertoevoer. Als er barstjes of scheuren in zitten moet hij vervangen worden: gedurende het wassen kan de hoge waterdruk onverwachts breuken veroorzaken.

! Gebruik nooit tweedehands buizen.

! De wasmachine is ontworpen en geproduceerd volgens de internationale veiligheidsnormen. Deze aanwijzingen zijn voor uw eigen veiligheid geschreven en moeten aandachtig worden doorgenomen.

Algemene veiligheid

- Dit apparaat is uitsluitend ontworpen voor huishoudelijk niet-professioneel gebruik.
 - Het apparaat mag niet worden gebruikt door personen (kinderen inbegrepen), met beperkte lichamelijke, sensorische of mentale vermogens of met onvoldoende ervaring en kennis, tenzij het gebruik plaatsvindt onder het toezicht of volgens de instructies van een persoon die verantwoordelijk is voor hun veiligheid. Kinderen moeten in de gaten worden gehouden om te verzekeren dat ze niet met het apparaat spelen.
 - Geen ongewassen kledingstukken drogen.
 - Kleding die bevuild is met stoffen zoals kookolie, aceton, alcohol, benzine, kerosine, vlekkenverwijderaars, terpentijn, was en stoffen om was te verwijderen moet met een grotere hoeveelheid wasmiddel in warm water gewassen worden alvorens de kleding in de wasdroger te drogen.
 - Voorwerpen zoals schuimrubber, douchemutsen, waterdichte stoffen, artikelen met een rubberen kant en kleding of kussens die onderdelen van schuimrubber bevatten mogen niet in de wasdroger gedroogd worden.
 - Wasverzachter en gelijksoortige producten moeten overeenkomstig de instructies van de fabrikant gebruikt worden.
 - Het laatste deel van een droogcyclus wordt uitgevoerd zonder warmte (koelcyclus) om te zorgen dat de artikelen niet beschadigd worden.
- LET OP: Stop de wasdroger nooit voordat het droogprogramma beëindigd is. In dit geval snel al het wasgoed uit de droger halen en het wasgoed ophangen om het snel te laten drogen.
- Raak de machine niet aan als u blootvoets bent of met natte of vochtige handen of voeten.
 - Trek de stekker nooit uit het stopcontact door aan het snoer te trekken, maar altijd door de stekker zelf beet te pakken.
 - Open het wasmiddelbakje niet terwijl de machine in werking is.
 - Raak het afvoerwater niet aan aangezien het zeer heet kan zijn.
 - Forceer de deur nooit: het veiligheidsmechanisme dat een ongewild openen van de deur voorkomt, kan beschadigd worden.
 - Probeer in geval van storingen nooit zelf de interne mechanismen van de wasdrogmachine te repareren.
 - Zorg ervoor dat kleine kinderen niet te dicht bij de machine komen als deze in werking is.
 - De deur kan tijdens het wassen zeer heet worden.
 - Als de machine verplaatst moet worden, doe dit dan met

twee of drie personen tegelijk en zeer voorzichtig. Doe dit nooit alleen, want het apparaat is erg zwaar.

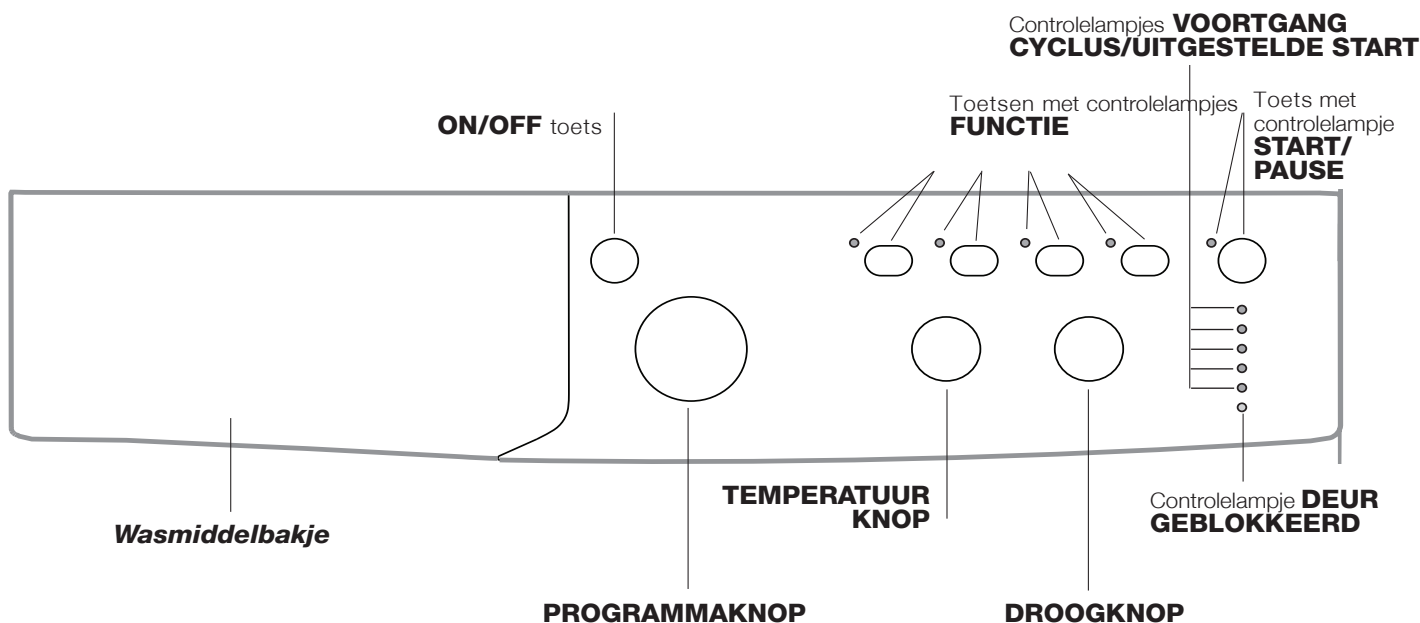
- Voordat u het wasgoed in de automaat laadt, moet u controleren of hij leeg is.
- De glazen ruit wordt warm gedurende het drogen.
- Droog geen wasgoed dat met ontvlambare oplosmiddelen is gewassen (b.v. trieline).
- Droog geen schuimrubber of elastomeren of kledingstukken met rubberen opschriften e.d.
- Controleer dat gedurende het drogen de waterkraan open is.

Afvalverwijdering

- Het verwijderen van het verpakkingsmateriaal: houdt u aan de plaatselijke normen zodat het materiaal hergebruikt kan worden.
- De Europese richtlijn 2002/96/CE, betreffende afgedankte elektrische en elektronische apparatuur, voorziet dat huishoudelijke apparatuur niet met het normale afval mag worden meegegeven. De afgedankte apparatuur moet apart worden opgehaald om het wedergebruik van materialen waarvan hij is gemaakt te optimaliseren en om potentiële schade aan de gezondheid en het milieu te voorkomen. Het symbool van de afvallemmer met een kruis staat op elk product, om aan te geven dat het apart moet worden weggegooid. Voor verdere informatie betreffende het correcte verwijderen van huishoudelijke apparatuur kunnen de gebruikers zich wenden tot de gemeentelijke reinigingsdienst of de verkoper.

Beschrijving van de wasdroogmachine en starten van een programma

Bedieningspaneel



Wasmiddelbakje: voor wasmiddelen en wasversterkers (zie "Wasmiddelen en wasgoed").

Toets **ON/OFF:** voor het in- en uitschakelen van de wasdroogmachine.

PROGRAMMAKNOP: voor het instellen van de programma's. Gedurende het programma blijft de knop stilstaan.

Toetsen met controlelampje **FUNCTIE:** voor het selecteren van de beschikbare functies. Het controlelampje van de gekozen functie zal aanblijven.

DROOGKNOP: voor het instellen van de gewenste droging (zie "Persoonlijke Instellingen").

TEMPERATUURKNOP: voor het instellen van de temperatuur of koud wassen (zie "Persoonlijke Instellingen").

Controlelampjes **VOORTGANG CYCLUS/UITGESTELDE START:** voor het volgen van het verloop van het wasprogramma.

Het controlelampje geeft de lopende fase weer. Als de functie "Uitgestelde start" is ingesteld, tonen de lampjes de tijd die resteert tot het starten van het programma (zie pagina hiernaast).

Controlelampje **DEUR GEBLOKKEERD:** om te zien of de deur kan worden geopend (zie pagina hiernaast).

Toets met controlelampje **START/PAUSE:** om programma's te starten of ze tijdelijk te onderbreken.

N.B.: om de lopende wascyclus te pauzeren drukt u op deze toets. Het oranje licht van het betreffende controlelampje zal gaan knipperen terwijl het lampje van de lopende fase vast aan zal blijven staan. Als het controlelampje DEUR GEBLOKKEERD uit is, kunt u het deurtje openen. Om het programma te hervatten drukt u opnieuw op deze toets.

Stand- by modus

Deze wasdroogmachine beschikt, in overeenkomst met de nieuwe normen betreffende de energiebesparing, over een systeem wat het apparaat automatisch na enkele minuten uitschakelt (stand-by) indien men het niet gebruikt. Druk kort op de ON-OFF toets en wacht tot de wasdroogmachine weer aangaat.

Gebruik in off-mode: 0,5 W

Gebruik in Left-on: 0,5 W

Controlelampjes

De controlelampjes geven belangrijke informatie. Ze geven informatie over:

Uitgestelde start

Als de functie "Uitgestelde Start" is geactiveerd (zie "Persoonlijke Instellingen") zal, nadat het programma is gestart, het controlelampje dat bij de uitgestelde start hoort gaan knipperen:

3h 

6h 

9h 



Naar gelang de tijd verloopt wordt de resterende wachttijd getoond, met het knipperen van het betreffende controlelampje:

3h 

6h 


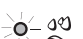



9h 



Als de geselecteerde vertraging is verlopen zal het ingestelde programma van start gaan.

Controlelampjes lopende fase

Als u de gewenste wascyclus heeft geselecteerd en gestart gaan de controlelampjes één voor één aan om te tonen op welk punt de cyclus is:

Hoofdwas	
Spoelen	
Centrifuge/Waterafvoer	
Drogen	
Einde hoofdwas	

N.B.: aan het einde van de droogcyclus dient u de DROOGKNOP weer terug te brengen op de stand "0".


Functietoetsen en betreffende controlelampjes

Als u een functie selecteert gaat het bijbehorende controlelampje aan. Als de gekozen functie niet geschikt is voor het ingestelde programma gaat het betreffende controlelampje knipperen en zal de functie niet worden geactiveerd. Als de geselecteerde functie niet compatibel is met een optie die daarvoor is ingesteld, zal het controlelampje van de eerder geselecteerde functie gaan knipperen en zal alleen de tweede functie worden geactiveerd; het controlelampje van de geactiveerde functie zal aangaan.

Controlelampje deur geblokkeerd:




Als het controlelampje aan is betekent het dat de deur is geblokkeerd om te verhinderen dat hij per ongeluk wordt geopend. Om het deurtje te openen moet u wachten tot het controlelampje uitgaat (wacht circa 3 minuten). Om de deur te openen tijdens de wascyclus drukt u op de knop START/PAUSE; als het controlelampje DEUR GEBLOKKEERD uit is, kunt u het deurtje openen.

Een programma starten

- Schakel de wasdroogmachine in met de ON/OFF toets. Alle controlelampjes gaan een paar seconden aan en gaan dan weer uit en het controlelampje START/PAUSE knippert.
- Laad het wasgoed in en sluit de deur.
- Stel het gewenste programma in met de PROGRAMMAKNOP.
- Stel de wastemperatuur in (zie "Persoonlijke instellingen").
- Stel indien nodig het drogen in (zie "Persoonlijke instellingen").
- Voeg wasmiddel en wasversterkers toe (zie "Wasmiddelen en wasgoed").
- Selecteer de gewenste functies.
- Start het programma door op de START/PAUSE toets te drukken. Het betreffende controlelampje zal een vast groen licht vertonen. Om de ingestelde cyclus te annuleren zet u de wasdroogmachine op pauze door op de START/PAUSE toets te drukken en een nieuwe cyclus te kiezen.
- Aan het einde van het programma gaat het controlelampje **END** aan. Als het controlelampje DEUR GEBLOKKEERD  uitgaat, kunt u het deurtje openen. Haal het wasgoed eruit en laat de deur op een kier staan zodat de trommel kan drogen. Schakel de wasdroogmachine uit in met de ON/OFF toets.

Programma's

Programmatabel

Programma's	Beschrijving van het Programma	Maximale Temp (°C)	Maximaal toerental (toeren per minuut)	Drogen	Wasmiddel			Maximale lading (kg)	Duur cyclus
					Voorwas	Was-sen	Wasver-zachter		
Dagelijkse was									
1	Katoen + Voorwas: Zeer vuile witte was.	90°	1600	●	●	●	●	7	170'
2	Katoen: Zeer vuile witte was.	90°	1600	●	-	●	●	7	155'
2	Katoen (1): Zeer vuil wit en kleurecht bont wasgoed.	60°	1600	●	-	●	●	7	155'
2	Katoen (2): Zeer vuile witte en bonte fijne was.	40°	1600	●	-	●	●	7	145'
3	Katoen: Zeer vuil wit en kleurecht bont wasgoed.	60°	1600	●	-	●	●	7	130'
4	Bont Katoen: Niet zo vuile witte en bonte was.	40°	1600	●	-	●	●	7	90'
5	Synthetisch: zeer vuile kleurvaste bonte was.	60°	800	●	-	●	●	3	85'
Speciale was									
6	Wol: voor wol, kasjmier, etc.	40°	800	-	-	●	●	1,5	55'
7	Zijde/Gordijnen: voor zijde, viscose, lingerie.	30°	0	-	-	●	●	1	55'
8	Jeans	40°	800	●	-	●	●	3	80'
9	Sport Light	30°	600	-	-	●	●	3	70'
10	Sport Shoes	30°	600	-	-	●	●	Max. 2 paar.	50'
Programma's Drogen									
11	Katoen	-	-	●	-	-	-	5	-
12	Synthetisch	-	-	●	-	-	-	3	-
13	Was & Droog	30°	1600	●	-	●	●	0,5	35'
Delprogramma's									
	Spoelen	-	1600	●	-	-	●	7	36'
	Centrifugeren	-	1600	●	-	-	-	7	16'
	Afpompen	-	0	-	-	-	-	7	2'

De duur van de cyclus die wordt aangegeven op het display of op de gebruiksaanwijzing is een geschatte waarde die wordt gecalculereerd bij standaard omstandigheden. De effectieve tijd kan variëren aan de hand van talloze factoren zoals temperatuur en druk van de watertoevoer, de kamertemperatuur, de hoeveelheid wasmiddel, de hoeveelheid en type lading, de balancering van de was en de geselecteerde aanvullende opties.

Voor alle Test Institutes:

- 1) Controleprogramma volgens de norm EN 50229: selecteer het programma 2 met een temperatuur van 60°C.
- 2) Programma katoen lang: selecteer het programma 2 met een temperatuur van 40°C.

Speciale programma's

Sport Light (programma 9) is ontwikkeld voor het wassen van niet zo vuile sportkleding (trainingspakken, sportbroeken, enz.). Om optimale resultaten te bereiken raden wij u aan nooit de maximaal aangegeven hoeveelheid te overschrijden die staat aangegeven in de "Programmatabel". We raden u aan een vloeibaar wasmiddel te gebruiken, met een hoeveelheid die voldoende is voor een halve lading.

Sport Shoes (programma 10) is ontwikkeld voor het wassen van sportschoenen. Voor optimale resultaten dient u nooit meer dan 2 paar tegelijk te wassen.

Was & Droog (programma 13) is bedoeld voor het snel wassen en drogen van niet zo vuil wasgoed. Als u deze cyclus selecteert kunt u tot aan 0,5 kg wasgoed wassen en drogen, in slechts 35 minuten. Gebruik voor de beste resultaten een vloeibaar wasmiddel. Behandel manchetten, kragen en vlekken eerst voor met een speciaal product.

Instellen van de temperatuur

Door aan de TEMPERATUURKNOP te draaien kunt u de wastemperatuur instellen (zie *Programmatabel*).

De temperatuur kan verlaagd worden tot aan koud wassen (❄️).

De machine voorkomt dat u een temperatuur instelt die hoger is dan het maximum voorzien voor dat programma.

Instellen van het drogen

Door aan de DROOGKNOP te draaien stelt u het gewenste soort drogen in. Er zijn twee mogelijkheden:

A - Op tijdsbasis: van **40** tot **180** minuten.

B - Op basis van de vochtigheidsgraad van het gedroogde wasgoed:

Strijkdroog ☄️: enigszins vochtig wasgoed, makkelijk te strijken.

Hanger 🧦: wasgoed dat droog genoeg is om te worden opgehangen.

Kastdroog 🧺: zeer droog wasgoed, aangeraden voor handdoeken en badjassen.

Als in een uitzonderlijk geval de lading wasgoed voor wassen en drogen meer is dan het toegestane maximum (zie *Tabel droogtijden*), dan voert u eerst het wassen uit. Aan het einde hiervan verdeelt u de lading en laadt u één gedeelte in de trommel. Volg nu de aanwijzingen voor het uitvoeren van **“Alleen drogen”**.

Doe hetzelfde met de rest van de lading. Aan het einde van de droogcyclus wordt altijd een afkoeltijd ingezet.

Alleen drogen

Draai de PROGRAMMAKNOP naar een van de droogstanden (**11-12**), aan de hand van het soort stof, en kies vervolgens de gewenste droogcyclus met de DROOGKNOP.

Funcities

De verschillende functies van de wasdroogmachine zorgen voor de door u gewenste schone en witte was.

Voor het activeren van de functies:

1. druk op de toets die bij de gewenste functie hoort;
2. het aangaan van het betreffende controlelampje geeft aan dat de functie actief is.

N.B.: Het snel knipperen van het lampje geeft aan dat de bijbehorende functie niet gekozen kan worden bij het ingestelde programma.

EcoTime

Als u deze optie selecteert zullen de mechanische beweging, de temperatuur en het water geoptimaliseerd worden voor een beperkte lading van niet zo vuil katoenen en synthetisch wasgoed (zie *“Programmatabel”*).

Met **“EcoTime”** kunt u wassen in een kortere tijd en kunt u water en energie besparen. We raden u aan een hoeveelheid vloeibaar wasmiddel te gebruiken die voldoet voor een halve lading.

! Deze optie kan niet worden geactiveerd bij de programma's 1, 2, 6, 7, 8, 9, 10, 11, 12, 13, 🧺, 🧦, 🧺.

Energy Saver

De functie **Energy Saver** draagt bij aan energiebesparing door het voor het wassen van het wasgoed niet te verwarmen: een voordeel voor zowel het milieu als de energierekening. De versterkte werking en het geoptimaliseerde waterverbruik garanderen uitstekende resultaten met een gelijke gemiddelde tijdsduur als een standaardcyclus.

Om betere wasresultaten te verkrijgen, wordt het gebruik van een vloeibaar wasmiddel aanbevolen.

! Deze optie kan niet worden geactiveerd bij de programma's 1, 6, 7, 9, 10, 11, 12, 13, 🧺, 🧦, 🧺.

🕒 1600-800

Door het drukken op deze toets vermindert de snelheid van de centrifuge.

! Deze optie kan niet worden geactiveerd bij de programma's 7, 11, 12, 13, 🧺.

🕒 Uitgestelde Start

Stelt de start van de wasdroogmachine tot aan 9 uur uit. Druk meerdere malen op de toets totdat het controlelampje dat bij de gewenste vertraging hoort aan gaat. Als u vier keer achter elkaar op de knop drukt zal de functie worden uitgeschakeld.

N.B.: Als de START/PAUSE knop eenmaal is ingedrukt kan de vertraging alleen vermindert worden voor u het ingestelde programma van start doet gaan.

! Deze optie is bij alle programma's mogelijk.

Tabel droogtijden (indicatieve waarden)

Soort stof	Soort lading	Max. lading (kg)	Kastdroog 🧺	Hanger 🧦	Strijkdroog ☄️
Katon	Wasgoed van versch. grootte, Handdoeken.	5	180	170	140
Synthetisch	Lakens, overhemden, Pyjama's, sokken enz.	3	140	120	100

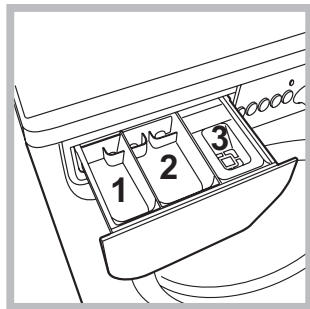
Wasmiddelen en wasgoed

NL

Wasmiddelbakje

Een goed wasresultaat hangt ook af van de juiste dosis wasmiddel: te veel wasmiddel maakt het wassen niet beter. Het wasmiddel blijft aan de binnenzijde van de wasdroogmachine zitten en zorgt voor het vervuilen van het milieu.

! Gebruik nooit wasmiddelen voor handwas aangezien die te veel schuim vormen.



Trek het laatje naar voren en giet het wasmiddel of de wasversterker er als volgt in:

bakje 1: Wasmiddel voor voorwas (poeder)

bakje 2: Wasmiddel voor hoofwas (poeder of vloeibaar)

Het vloeibare wasmiddel moet vlak voor de start in het bakje worden gegoten.

bakje 3: Wasversterkers (wasverzachter, enz.)

De wasverzachter mag niet boven het roostertje uitkomen.

Vorbereiden van het wasgoed

- Verdeel het wasgoed volgens:
 - het soort stof / het symbool op het etiket.
 - de kleuren: scheid de bonte was van de witte was.
- Leeg de zakken en controleer de knopen.
- Overschrijd het aangegeven gewicht, berekend voor droog wasgoed, nooit: zie "Programmatabel".

Hoeveel weegt wasgoed?

- 1 laken 400-500 g.
- 1 sloop 150-200 g.
- 1 tafelkleed 400-500 g.
- 1 badjas 900-1200 g.
- 1 handdoek 150-250 g.

Bijzondere kledingstukken

Wol: met het programma **6** is het mogelijk alle wollen kledingstukken in de wasdroogmachine te wassen, ook die met het etiket "alleen handwas" . Voor de beste resultaten dient u een specifiek wasmiddel te gebruiken en nooit de 1,5 kg wasgoed te overschrijden.

Zijde: gebruik het speciale programma **7** om alle zijden kledingstukken te wassen. We raden u aan een speciaal wasmiddel voor fijne was te gebruiken.

Gordijnen: vouw de gordijnen en doe ze in de bijgeleverde zak. Gebruik het programma **7**.

Jeans: draai de kledingstukken binnenstebuiten voor u ze wast en gebruik een vloeibaar wasmiddel. Gebruik het programma **8**.

Balanceersysteem van de lading

Om overmatige trillingen te vermijden verdeelt de automaat de lading voor het centrifugeren op een gelijkmatige manier. Dit gebeurt door de trommel te laten draaien op een snelheid die iets hoger ligt dan de wassnelheid. Als na herhaaldelijke pogingen de lading nog steeds niet goed is gebalanceerd, zal de wasdroogmachine de centrifuge op een lagere snelheid uitvoeren dan die voorzien was. Als de lading zeer uit balans is zal de wasdroogmachine een verdeling uitvoeren in plaats van een centrifuge. Teneinde een betere distributie van de waslading en een juiste balancering te bereiken raden wij u aan kleine en grote kledingstukken te mengen.

Het kan gebeuren dat de wasdroogmachine niet werkt. Voor u contact opneemt met de Servicedienst (zie "Service") moet u controleren of het niet een storing betreft die u zelf makkelijk kunt verhelpen met behulp van de volgende lijst.

Storingen:

De wasdroogmachine gaat niet aan.

De wascyclus start niet.

De wasdroogmachine heeft geen watertoevoer (het controlelampje van de eerste wasfase knippert snel).

De wasdroogmachine blijft water aan- en afvoeren.

De wasdroogmachine voert het water niet af of centrifugeert niet.

De machine trilt erg tijdens het centrifugeren.

De wasdroogmachine lekt.

De controlelampjes van de "Functies" en het controlelampje "START/PAUSE" gaan knipperen, en een van de controlelampjes van de "lopende fase" en van "deur geblokkeerd" blijven vast aanstaan.

Er ontstaat teveel schuim.

De wasdroogmachine droogt niet.

Mogelijke oorzaken / Oplossing:

- De stekker zit niet in het stopcontact of niet ver genoeg om contact te maken.
- Het hele huis zit zonder stroom.

- De deur zit niet goed dicht.
- De ON/OFF toets is niet ingedrukt.
- De START/PAUSE toets is niet ingedrukt.
- De waterkraan is niet open.
- De uitgestelde start is ingesteld.

- De watertoevoerbuis is niet aangesloten op de kraan.
- De buis is gebogen.
- De waterkraan is niet open.
- Het hele huis zit zonder water.
- Er is onvoldoende druk.
- De START/PAUSE toets is niet ingedrukt.

- De afvoerbuis is niet op 65 tot 100 cm afstand van de grond af geïnstalleerd (zie "Installatie").
- Het uiteinde van de afvoerbuis ligt onder water (zie "Installatie").
- De afvoer in de muur heeft geen ontluuchting.

Als na deze controles het probleem niet is opgelost, moet u de waterkraan dichtdraaien, de machine uitzetten en de Servicedienst inschakelen. Als u op een van de hoogste verdiepingen van een flatgebouw woont kan zich een hevelingsprobleem voordoen, waarbij de machine voortdurend water aan- en afvoert. Om deze storing te verhelpen zijn er in de handel speciale beluchters te koop.

- Het programma voorziet geen afvoer: bij enkele programma's moet dit met de hand worden gestart (zie "Starten en Programma's").
- De functie "Gemakkelijker strijken" is ingeschakeld: voor het beëindigen van het programma drukt u op de START/PAUSE toets ("Persoonlijke Instellingen").
- De afvoerbuis is gebogen (zie "Installatie").
- De afvoerleiding is verstopt.

- De trommel is bij het installeren niet op de juiste wijze gedeblokkeerd (zie "Installatie").
- De wasdroogmachine staat niet goed recht (zie "Installatie").
- De wasdroogmachine staat te krap tussen meubels en muur (zie "Installatie").

- De buis van de watertoevoer is niet goed aangeschroefd (zie "Installatie").
- Het wasmiddelbakje is verstopt (voor reiniging zie "Onderhoud en verzorging").
- De afvoerbuis is niet goed aangesloten (zie "Installatie").

- Doe de wasdroogmachine uit en haal de stekker uit het stopcontact. Wacht circa 1 minuut en doe hem daarna weer aan.
- Als de storing voortzet, dient u de Servicedienst in te schakelen.

- Het wasmiddel is niet bedoeld voor wasautomaten (er moet "voor wasdroogmachine", "handwas en machinewas", of dergelijke op staan).
- U heeft teveel wasmiddel gebruikt.

- De stekker is niet in het stopcontact of niet ver genoeg ingestoken om contact te maken.
- Er is geen stroom.
- De deur is niet goed dicht.
- De uitgestelde start is ingesteld.
- De "DROOGKNOP" staat op "0".

Service

NL

Voordat u de Servicedienst inschakelt:

- Controleer eerst of u het probleem zelf kunt oplossen (*zie "Storingen en oplossingen"*).
- Start het programma opnieuw om te controleren of de storing is verholpen;
- Als dit niet het geval is moet u contact opnemen met de erkende Technische Servicedienst via het telefoonnummer dat op het garantiebewijs staat.

! Wendt u nooit tot een niet erkende installateur.

Vermeld:

- het type storing;
- het model van de machine (Mod.);
- het serienummer (S/N);

Deze informatie vindt u op het typeplaatje aan de achterkant van de wasdroogmachine en aan de voorzijde als u het deurtje opendoet.

 Ce symbole vous rappelle de lire ce mode d'emploi.

FR

FR

Français

IWDC 71680

Sommaire

Installation, 38-39

Déballage et mise à niveau
Raccordements eau et électricité
Premier cycle de lavage
Caractéristiques techniques

Entretien et soin, 40

Coupure de l'arrivée d'eau et du courant
Nettoyage du lavante-séchante
Nettoyage du tiroir à produits lessiviels.
Entretien du hublot et du tambour
Nettoyage de la pompe
Contrôle du tuyau d'arrivée de l'eau

Précautions et conseils, 41

Sécurité générale
Mise au rebut

Description du lavante-séchante et démarrage d'un programme, 42-43

Bandeau de commandes
Voyants
Démarrage d'un programme

Programmes, 44

Tableau des programmes

Personnalisations, 45

Sélection de la température
Sélectionner le séchage
Fonctions

Produits lessiviels et linge, 46

Tiroir à produits lessiviels
Triage du linge
Linge ou vêtements particuliers
Système d'équilibrage de la charge

Anomalies et remèdes, 47

Assistance, 48

Installation

FR

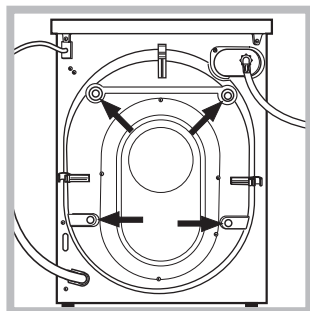
! Conserver ce mode d'emploi pour pouvoir le consulter à tout moment. En cas de vente, de cession ou de déménagement, veiller à ce qu'il suive toujours le lavante-séchante pour que son nouveau propriétaire soit informé sur son mode de fonctionnement et puisse profiter des conseils correspondants.

! Lire attentivement les instructions: elles fournissent des conseils importants sur l'installation, l'utilisation et la sécurité de l'appareil.

Déballage et mise à niveau

Déballage

1. Déballer le lavante-séchante.
2. Contrôler que le lavante-séchante n'a pas été endommagé pendant le transport. S'il est abîmé, ne pas le raccorder et contacter le vendeur.



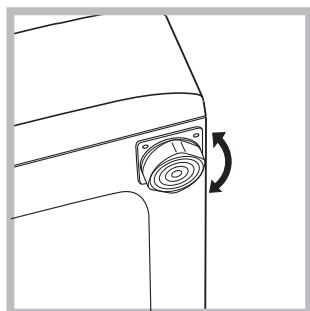
3. Enlever les 4 vis de protection servant au transport, le caoutchouc et la cale, placés dans la partie arrière (voir figure).

4. Boucher les trous à l'aide des bouchons plastique fournis.
5. Conserver toutes ces pièces: il faudra les remonter en cas de transport du lavante-séchante.

! Les pièces d'emballage ne sont pas des jouets pour enfants.

Mise à niveau

1. Installer le lavante-séchante sur un sol plat et rigide, sans l'appuyer contre des murs, des meubles ou autre.

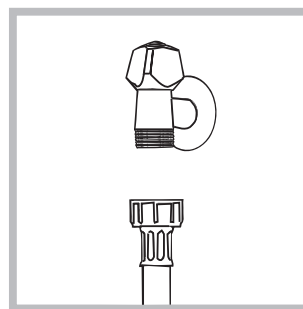


2. Si le sol n'est pas parfaitement horizontal, visser ou dévisser les pieds de réglage avant (voir figure) pour niveler l'appareil; son angle d'inclinaison, mesuré sur le plan de travail, ne doit pas dépasser 2°.

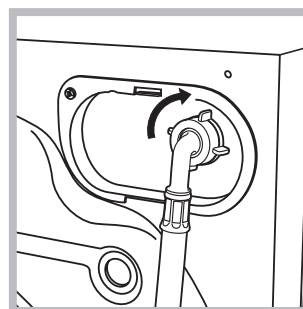
Une bonne mise à niveau garantit la stabilité de l'appareil et évite qu'il y ait des vibrations, du bruit et des déplacements en cours de fonctionnement. Si la machine est posée sur de la moquette ou un tapis, régler les pieds de manière à ce qu'il y ait suffisamment d'espace pour assurer une bonne ventilation.

Raccordements eau et électricité

Raccordement du tuyau d'arrivée de l'eau



1. Reliez le tuyau d'alimentation en le vissant à un robinet d'eau froide à embout fileté 3/4 gaz (voir figure). Faire couler l'eau jusqu'à ce qu'elle soit limpide et sans impuretés avant de raccorder.



2. Raccorder le tuyau d'arrivée de l'eau au lavante-séchante en le vissant à la prise d'eau prévue, dans la partie arrière en haut à droite (voir figure).

3. Attention à ce que le tuyau ne soit pas plié ou écrasé.

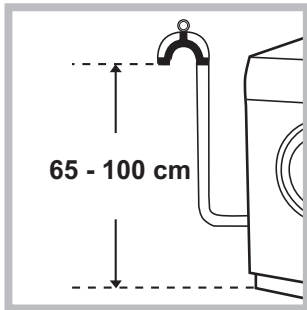
! La pression de l'eau doit être comprise entre les valeurs indiquées dans le tableau des Caractéristiques techniques (voir page ci-contre).

! Si la longueur du tuyau d'alimentation ne suffit pas, s'adresser à un magasin spécialisé ou à un technicien agréé.

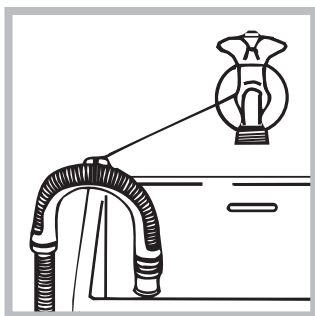
! N'utiliser que des tuyaux neufs.

! Utiliser ceux qui sont fournis avec l'appareil.

Raccordement du tuyau de vidange



Raccorder le tuyau d'évacuation, sans le plier, à un conduit d'évacuation ou à une évacuation murale placés à une distance du sol comprise entre 65 et 100 cm;



ou bien l'accrocher à un évier ou à une baignoire, dans ce cas, fixer le support en plastique fourni avec l'appareil au robinet (voir figure). L'extrémité libre du tuyau d'évacuation ne doit pas être plongée dans l'eau.

! L'utilisation d'un tuyau de rallonge est absolument déconseillée mais si on ne peut faire autrement, il faut absolument qu'il ait le même diamètre que le tuyau original et sa longueur ne doit pas dépasser 150 cm.

Branchement électrique

Avant de brancher la fiche dans la prise de courant, s'assurer que:

- la prise est bien reliée à la terre et est conforme aux réglementations en vigueur;
- la prise est bien apte à supporter la puissance maximale de l'appareil indiquée dans le tableau des Caractéristiques techniques (voir ci-contre);
- la tension d'alimentation est bien comprise entre les valeurs figurant dans le tableau des Caractéristiques techniques (voir ci-contre);
- la prise est bien compatible avec la fiche du lavante-séchante. Autrement, remplacer la prise ou la fiche.

! Le lavante-séchante ne doit pas être installé dehors, même à l'abri, car il est très dangereux de le laisser exposé à la pluie et aux orages.

! Après installation du lavante-séchante, la prise de courant doit être facilement accessible.

! N'utiliser ni rallonges ni prises multiples.

! Le câble ne doit être ni plié ni trop écrasé.


! Le câble d'alimentation ne doit être remplacé que par des techniciens agréés.

Attention! Nous déclinons toute responsabilité en cas de non-respect des normes énumérées ci-dessus.

Premier cycle de lavage

Avant la première mise en service de l'appareil, effectuer un cycle de lavage avec un produit lessiviel mais sans linge et sélectionner le programme 2.

Caractéristiques techniques

Modèle	IWDC 71680
Dimensions	largeur 59,5 cm hauteur 85 cm profondeur 53,5 cm
Capacité	de 1 à 7 kg pour le lavage de 1 à 5 kg pour le séchage
Raccorde-ments élec-triques	Voir la plaque signalétique appliquée sur la machine
Raccor-dements hydrauliques	pression maximale 1 MPa (10 bar) pression minimale 0,05 MPa (0,5 bar) capacité du tambour 52 litres
Vitesse d'essorage	jusqu'à 1600 tours minute
Programmes de contrôle selon la norme EN 50229	lavage: programme 2; température 60°C; effectué avec une charge de 7 kg. séchage: pour le séchage de la charge de linge réduite, sélectionner le niveau de séchage «A», le linge doit comprendre: 2 draps, 1 taie d'oreiller et 1 serviette de toilette; pour le séchage de la charge de linge restante, sélectionner le niveau de séchage «B».
 	Cet appareil est conforme aux Directives Communautaires suivantes: - 2004/108/CE (Compatibilité électromagnétique) - 2002/96/CE - 2006/95/CE (Basse Tension)

Entretien et soin

FR

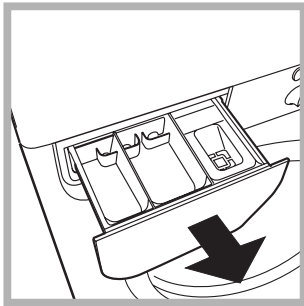
Coupure de l'arrivée d'eau et du courant

- Fermer le robinet de l'eau après chaque lavage. Cela réduit l'usure de l'installation hydraulique du lavante-séchante et évite tout danger de fuites.
- Débrancher la fiche de la prise de courant lors de tout nettoyage du lavante-séchante et pendant tous les travaux d'entretien.

Nettoyage du lavante-séchante

Pour nettoyer l'extérieur et les parties en caoutchouc, utiliser un chiffon imbibé d'eau tiède et de savon. N'utiliser ni solvants ni abrasifs.

Nettoyage du tiroir à produits lessiviels.



Soulever le tiroir et le tirer vers soi pour le sortir de son logement (voir figure). Le laver à l'eau courante; effectuer cette opération assez souvent.

Entretien du hublot et du tambour

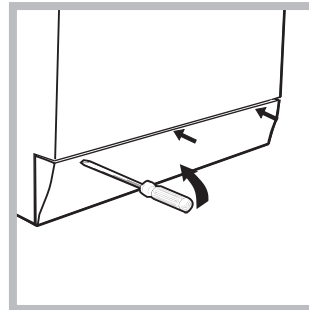
- Il faut toujours laisser le hublot entrouvert pour éviter la formation de mauvaises odeurs.

Nettoyage de la pompe

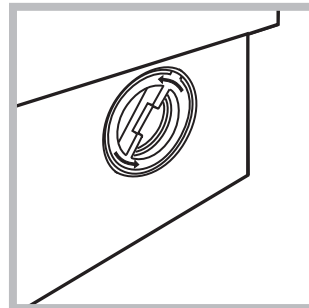
Le lavante-séchante est équipé d'une pompe autonettoyante qui n'exige aucune opération d'entretien. Il peut toutefois arriver que de menus objets (pièces de monnaie, boutons) tombent dans la préchambre qui protège la pompe, placée en bas de cette dernière.

! S'assurer que le cycle de lavage est bien terminé et débrancher la fiche.

Pour accéder à cette préchambre:



1. démonter le panneau situé à l'avant du lavante-séchante à l'aide d'un tournevis (voir figure);



2. dévisser le couvercle en le tournant dans le sens inverse des aiguilles d'une montre (voir figure); il est normal qu'un peu d'eau s'écoule;

3. nettoyer soigneusement l'intérieur;
4. revisser le couvercle;
5. remonter le panneau en veillant à bien enfiler les crochets dans les fentes prévues avant de le pousser contre l'appareil.

Contrôle du tuyau d'arrivée de l'eau

Contrôler le tuyau d'alimentation au moins une fois par an. Procéder à son remplacement en cas de craquements et de fissures: car les fortes pressions subies pendant le lavage pourraient provoquer des cassures.

! N'utiliser que des tuyaux neufs.

! Ce lavante-séchante a été conçu et fabriqué conformément aux normes internationales de sécurité. Ces consignes sont fournies pour des raisons de sécurité, il faut les lire attentivement.

Sécurité générale

- Cet appareil est conçu pour un usage domestique.
 - Cet appareil n'est pas destiné à être utilisé par des personnes (enfants compris) dont les capacités physiques, sensorielles ou mentales sont réduites ou qui ne disposent pas des connaissances ou de l'expérience nécessaires, à moins qu'elles n'aient été formées et encadrées pour l'utilisation de cet appareil par une personne responsable de leur sécurité. Surveiller les enfants pour s'assurer qu'ils ne jouent pas avec l'appareil.
 - Ne pas mettre sécher du linge non lavé.
 - Le linge contaminé avec des substances telles que de l'huile de cuisson, de l'acétone, de l'alcool, de l'essence, du kérosène, des détachants, de l'essence de térébenthine, de la cire et des substances pour l'enlever, doit être lavé à l'eau chaude avec une dose supplémentaire de lessive avant d'être introduit dans le sèche-linge.
 - Des objets en mousse expansée (mousse de latex), des bonnets de douche, des textiles imperméables, des articles doublés de caoutchouc et des vêtements ou des coussins ayant des parties en mousse de latex ne doivent pas être séchés en sèche-linge.
 - En cas d'utilisation d'assouplissants ou de tout autre produit similaire, se conformer aux instructions du fabricant.
 - La partie finale d'un cycle du sèche-linge se produit sans chaleur (cycle de refroidissement) pour éviter tout endommagement du linge.
- ATTENTION: Ne jamais arrêter le sèche-linge avant la fin du programme de séchage. Dans ce cas, sortir immédiatement tout le linge et l'étendre pour le faire refroidir rapidement.
- Ne jamais toucher l'appareil si l'on est pieds nus et si les mains sont mouillées ou humides.
 - Ne jamais tirer sur le câble pour débrancher la fiche de la prise de courant.
 - Ne pas ouvrir le tiroir à produits lessiviels si la machine est branchée.
 - Ne pas toucher à l'eau de vidange, elle peut atteindre des températures très élevées.
 - Ne pas forcer pour ouvrir le hublot: le verrouillage de sécurité qui protège contre les ouvertures accidentelles pourrait s'endommager.
 - En cas de panne, éviter à tout prix d'accéder aux mécanismes internes pour tenter une réparation.
 - Veiller à ce que les enfants ne s'approchent pas de l'appareil pendant son fonctionnement.
 - Pendant le lavage, le hublot a tendance à se réchauffer.

- Deux ou trois personnes sont nécessaires pour déplacer l'appareil avec toutes les précautions nécessaires. Ne jamais le déplacer tout seul car il est très lourd.
- Avant d'introduire le linge, s'assurer que le tambour est bien vide.
- Pendant le séchage, le hublot a tendance à chauffer.
- Ne mettez pas à sécher du linge lavé avec des solvants inflammables (trichloréthylène par ex.).
- Ne mettez pas à sécher du caoutchouc-mousse ou des élastomères du même genre.
- Vérifiez qu'au cours du séchage, le robinet de l'eau soit bien ouvert.

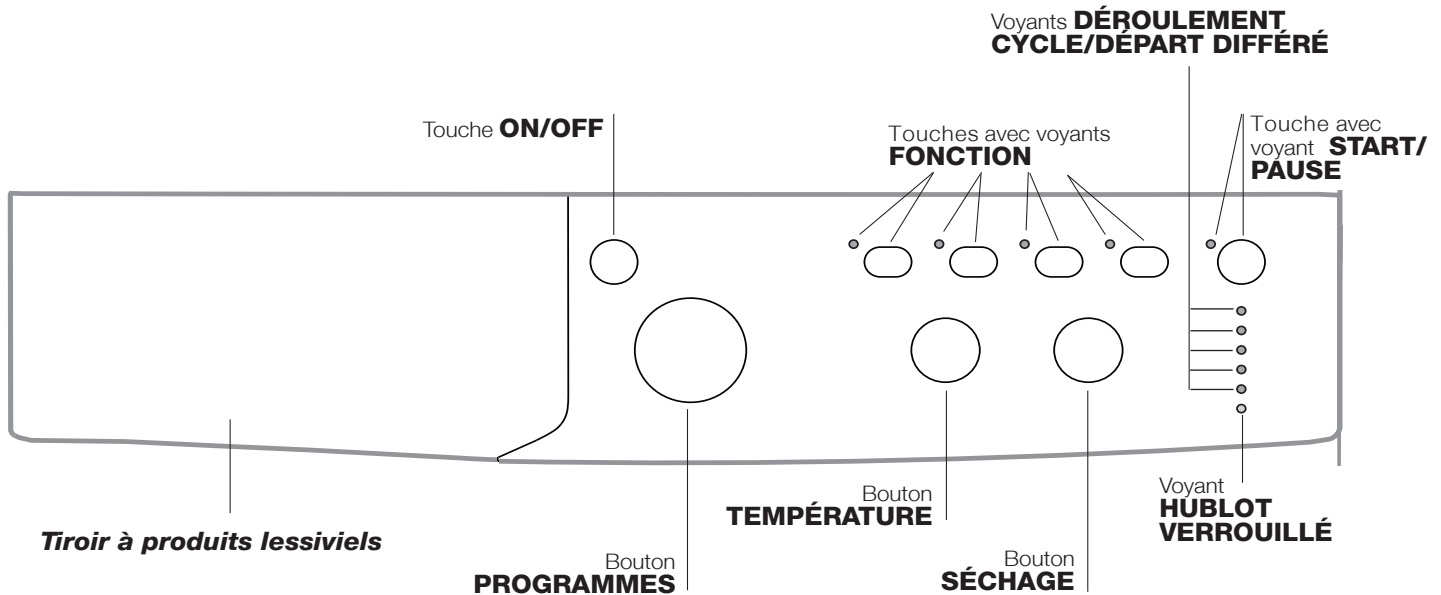
Mise au rebut

- Mise au rebut du matériel d'emballage: se conformer aux réglementations locales de manière à ce que les emballages puissent être recyclés.
- La Directive Européenne 2002/96/EC sur les Déchets des Equipements Electriques et Electroniques, exige que les appareils ménagers usagés ne soient pas jetés dans le flux normal des déchets municipaux. Les appareils usagés doivent être collectés séparément afin d'optimiser le taux de récupération et le recyclage des matériaux qui les composent et réduire l'impact sur la santé humaine et l'environnement. Le symbole de la "poubelle barrée" est apposée sur tous les produits pour rappeler les obligations de collecte séparée. Les consommateurs devront contacter les autorités locales ou leur revendeur concernant la démarche à suivre pour l'enlèvement de leur vieil appareil.

Description du lavante-séchante et démarrage d'un programme

FR

Bandeau de commandes



Tiroir à produits lessiviels: pour charger les produits lessiviels et les additifs (voir "Produits lessiviels et linge").

Touche **ON/OFF:** pour allumer ou éteindre le lavante-séchante.

Bouton **PROGRAMMES:** pour sélectionner les programmes. Pendant le programme, le bouton ne tournera pas.

Touches avec voyants **FONCTION:** pour sélectionner les fonctions disponibles. Le voyant correspondant à la fonction sélectionnée restera allumé.

Bouton **TEMPÉRATURE:** pour sélectionner la température ou un lavage à froid (voir "Personnalisations").


Bouton **SÉCHAGE:** pour sélectionner le séchage désiré (voir "Personnalisations").

Voyants **DÉROULEMENT CYCLE/DÉPART DIFFÉRÉ:** pour suivre le stade d'avancement du programme de lavage.

Le voyant allumé indique la phase de lavage en cours. Si la fonction "Départ différé" (départ différé) a été sélectionnée, ils indiquent le temps restant jusqu'au démarrage du programme (voir page ci-contre).

Voyant **HUBLOT VERROUILLÉ:** indique si la porte est verrouillée (voir page ci-contre).

Touche avec voyant **START/PAUSE:** pour démarrer les programmes ou les interrompre momentanément.

N.B.: pour effectuer une pause du lavage en cours, appuyer sur cette touche, le voyant correspondant se mettra à clignoter en orange tandis que celui de la phase en cours restera allumé fixe. Si le voyant HUBLOT VERROUILLÉ  est éteint, on peut ouvrir la porte.

Pour faire redémarrer le lavage exactement de l'endroit où il a été interrompu, appuyer une nouvelle fois sur la touche.

Stand-by

Ce lavante-séchante, conformément aux nouvelles normes en vigueur dans le domaine de l'économie d'énergie, est équipée d'un système d'extinction automatique (veille) activé après 30 minutes environ d'inutilisation. Appuyez brièvement sur la touche ON/OFF et attendre que la machine soit réactivée.

Consommation en off-mode : 0,5 W

Consommation en Left-on : 0,5 W

Voyants

Les voyants fournissent des informations importantes. Voilà ce qu'ils signalent:

Départ différé

Si la fonction "Départ différé" a été activée (voir "Personnalisations"), le voyant correspondant au temps sélectionné se mettra à clignoter, après avoir lancé le programme:

3h 

6h 

9h 



Au fur et à mesure que le temps passe, le temps restant est affiché avec clignotement du voyant correspondant.

3h 

6h 

9h 



Quand le retard sélectionné touche à sa fin le programme sélectionné démarre.

Voyants phase en cours

Une fois que le cycle de lavage sélectionné a démarré, les voyants s'allument progressivement pour indiquer son stade d'avancement:

Lavage 

Rinçage 

Essorage/Vidange 

Séchage 

Fin de Lavage 

Remarque: une fois le cycle de séchage terminé, il faut ramener le bouton SÉCHAGE sur "0".

Touches fonction et voyants correspondants

La sélection d'une fonction entraîne l'allumage du voyant correspondant.


Si la fonction sélectionnée est incompatible avec le programme sélectionné, le voyant correspondant se met à clignoter et la fonction n'est pas activée.

Si l'option sélectionnée est incompatible avec une autre fonction précédemment sélectionnée, le voyant correspondant à la première fonction se met à clignoter et seule la deuxième fonction est activée, le voyant de la touche s'allume au fixe.

Voyant hublot verrouillé

Le voyant allumé indique que le hublot est verrouillé pour en empêcher l'ouverture. Attendre que le voyant cesse de clignoter avant d'ouvrir la porte (3 minutes environ). Pour ouvrir le hublot tandis qu'un cycle est en cours, appuyer sur la touche START/PAUSE; si le voyant HUBLOT VERROUILLÉ est éteint, on peut ouvrir le hublot.




Démarrage d'un programme

1. Allumer le lave-linge en appuyant sur la touche ON/OFF. Tous les voyants s'allument pendant quelques secondes puis s'éteignent, seul le voyant START/PAUSE flashe.
2. Charger le linge et fermer le hublot.
3. Sélectionner à l'aide du bouton PROGRAMMES le programme désiré.
4. Sélectionner la température de lavage (voir "Personnalisations").
5. Sélectionner le séchage si nécessaire (voir "Personnalisations").
6. Verser les produits lessiviels et les additifs (voir "Produits lessiviels et linge").
7. Sélectionner les fonctions désirées.
8. Appuyer sur la touche START/PAUSE pour démarrer le programme, le voyant correspondant vert restera allumé en fixe. Pour annuler le cycle sélectionné, appuyer sur la touche START/PAUSE pour placer l'appareil en pause et choisir un nouveau cycle.
9. A la fin du programme, le voyant **END** s'allume. Quand le voyant HUBLOT VERROUILLÉ  s'éteint, on peut ouvrir le hublot. Sortir le linge et laisser le hublot entrouvert pour faire sécher le tambour. Eteindre le lave-linge en appuyant sur la touche ON/OFF.

Programmes

FR

Tableau des programmes

Programmes	Description du Programme	Temp. maxi. (°C)	Vitesse maxi (tours minute)	Séchage	Lessive			Charge maxi (Kg)	Durée cycle
					Pré-lavage	Lavage	Assouplissant		
Programmes Quotidiens									
1	Coton avec Prélavage: blancs extrêmement sales.	90°	1600	●	●	●	●	7	170'
2	Coton: blancs extrêmement sales.	90°	1600	●	-	●	●	7	155'
2	Coton (1): blancs et couleurs résistantes très sales.	60°	1600	●	-	●	●	7	155'
2	Coton (2): blancs et couleurs délicates très sales.	40°	1600	●	-	●	●	7	145'
3	Coton rapide: blancs et couleurs résistantes très sales.	60°	1600	●	-	●	●	7	130'
4	Coton couleurs: blancs peu sales et couleurs délicates.	40°	1600	●	-	●	●	7	90'
5	Synthétiques: couleurs résistantes très sales.	60°	800	●	-	●	●	3	85'
Spéciaux									
6	Laine: pour laine, cachemire, etc.	40°	800	-	-	●	●	1,5	55'
7	Soie et Voilage: pour linge en soie, viscose, lingerie.	30°	0	-	-	●	●	1	55'
8	Jeans	40°	800	●	-	●	●	3	80'
9	Sport Léger	30°	600	-	-	●	●	3	70'
10	Baskets	30°	600	-	-	●	●	Max. 2 paires	50'
Séchage									
11	Coton	-	-	●	-	-	-	5	-
12	Synthétiques	-	-	●	-	-	-	3	-
13	Lavage & Séchage Express	30°	1600	●	-	●	●	0,5	35'
Programmes partiels									
	Rinçage	-	1600	●	-	-	●	7	36'
	Essorage	-	1600	●	-	-	-	7	16'
	Vidange	-	0	-	-	-	-	7	2'

La durée du cycle indiquée sur l'écran ou dans la notice représente une estimation calculée dans des conditions standard. Le temps effectif peut varier en fonction de nombreux facteurs tels que : température et pression de l'eau en entrée, température ambiante, quantité de lessive, quantité et type de charge, équilibrage de la charge, options supplémentaires sélectionnées.

Pour tous les instituts qui effectuent ces tests :

- 1) Programme de contrôle selon la norme EN 50229: sélectionner le programme 2 et une température de 60°C.
- 2) Programme coton long: sélectionner le programme 2 et une température de 40°C.

Programmes spéciaux

Sport Léger(programme 9): est spécialement conçu pour laver des textiles vêtements de sport (survêtements, shorts, etc.) peu sales; pour obtenir d'excellents résultats nous recommandons de ne pas dépasser la charge maximale indiquée dans le "Tableau des programmes". Nous recommandons d'utiliser de la lessive liquide, avec une dose pour la demi-charge.

Baskets (programme 10): est spécialement conçu pour laver des chaussures de sport; pour obtenir d'excellents résultats nous recommandons de ne pas en laver plus de 2 paires à la fois.

Lavage & Séchage Express (programme 13): spécialement conçu pour laver et sécher du linge peu sale en un rien de temps. La sélection de ce cycle permet de laver et de sécher jusqu'à 0,5 kg de linge en à peine 35 minutes.

Pour obtenir de meilleurs résultats, utiliser une lessive liquide ; pré-traiter les cols, les poignets et les taches.

Sélection de la température

Tourner le bouton TEMPÉRATURE pour sélectionner la température de lavage (voir *Tableau des programmes*).

La température peut être abaissée jusqu'au lavage à froid (❄️).

La machine interdira automatiquement toute sélection d'une température supérieure à la température maximale prévue pour chaque programme.

Sélectionner le séchage

Tourner le bouton SÉCHAGE pour sélectionner le type de séchage souhaité. Deux possibilités sont offertes:

A - En fonction du temps: de **40 à 180** minutes.

B - En fonction du niveau de séchage:

Repassage : linge légèrement humide, facile à repasser.

Sur Ceintre : linge sec prêt à ranger.

Armoire : linge très sec, conseillé pour serviettes éponge et peignoirs.

Si, exceptionnellement, la charge de linge à laver et faire sécher dépasse la charge maximum prévue (voir *tableau temps de Séchage*), procéder au lavage et une fois le programme terminé, séparer votre linge et en réintroduire une partie dans le tambour. Suivre à présent les instructions pour procéder au **“Séchage seulement”**. Procéder de même pour le linge restant. Un cycle de refroidissement est toujours prévu quand le séchage est terminé.

Séchage seulement

Tourner le bouton PROGRAMMES jusqu'à la position de séchage (**11-12**) adaptée au type de textile puis sélectionner la durée du cycle de séchage souhaitée à l'aide du bouton SÉCHAGE.

Fonctions

Les différentes fonctions de lavage prévues par le lavante-séchante permettent d'obtenir la propreté et le blanc souhaités.

Pour activer les fonctions:

1. appuyer sur la touche correspondant à la fonction désirée;
2. l'allumage du voyant correspondant signale que la fonction est activée.

Remarque: Le clignotement rapide du voyant signale que la fonction correspondante n'est pas disponible pour le programme sélectionné.

EcoTime

La sélection de cette fonction permet d'optimiser les mouvements mécaniques, la température et l'eau en fonction d'une charge réduite de coton et synthétiques peu sales (voir *“Tableau des programmes”*). **“EcoTime”** permet de laver en faisant des économies considérables de temps et de consommations d'eau et d'énergie. Il est conseillé d'utiliser une dose de lessive liquide adaptée à la charge.

! Cette fonction n'est pas activable avec les programmes 1, 2, 6, 7, 8, 9, 10, 11, 12, 13, , , .

Energy Savér

La fonction permet d'économiser l'énergie puisque l'eau utilisée pour la lessive n'est pas réchauffée: un plus pour l'environnement et pour votre facture d'électricité. L'action renforcée et l'optimisation de la consommation de l'eau garantissent d'excellents résultats pour une durée moyenne identique à celle d'un cycle standard. Pour de meilleurs résultats en matière de lavage, utilisez une lessive liquide.

! Cette option n'est pas activable avec les programmes 1, 6, 7, 9, 10, 11, 12, 13, , , .

1600-800

En appuyant sur cette touche on réduit la vitesse de l'essorage.

! Cette option n'est pas activable avec les programmes 7, 11, 12, 13, .

Départ différé

Pour différer la mise en marche de la machine jusqu'à 9 heures. Appuyer plusieurs fois de suite sur la touche jusqu'à ce que le voyant correspondant au retard souhaité s'allume. A la quatrième pression sur la touche, la fonction se désactive.

N.B: Après avoir appuyé sur la touche START/PAUSE, le retard programmé ne peut être modifié que pour le diminuer jusqu'à lancer le programme sélectionné.

! Il est activé avec tous les programmes.

Tableau temps de Séchage (Valeurs indicatives)

Type de tissus	Type de charge	Charge Max. (kg)	Armoire	Sur Ceintre	Repassage
Coton	Linge de différentes dimensions, serviettes éponge	5	180	170	140
Synthétiques	Draps, chemises, pyjamas, chaussettes, etc.	3	140	120	100

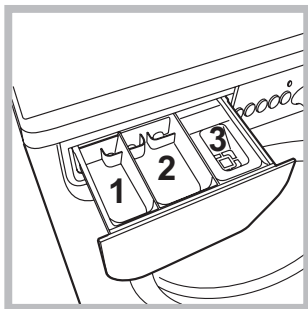
Produits lessiviels et linge

FR

Tiroir à produits lessiviels

Un bon résultat de lavage dépend aussi d'un bon dosage de produit lessiviel: un excès de lessive ne lave pas mieux, il incruste l'intérieur du lavante-séchante et pollue l'environnement.

! Ne pas utiliser de lessives pour lavage à la main, elles moussent trop.



Sortir le tiroir à produits lessiviels et verser la lessive ou l'additif comme suit.

bac 1: Lessive pré-lavage (en poudre)

bac 2: Lessive lavage (en poudre ou liquide)

Versez la lessive liquide juste avant la mise en marche.

bac 3: Additifs (adoucissant, etc.)

L'assouplissant ne doit pas déborder de la grille.

! N'utilisez pas de lessives pour lavage à la main, elles génèrent trop de mousse.


Triage du linge

- Trier correctement le linge d'après:
 - le type de textile / le symbole sur l'étiquette.
 - les couleurs: séparer le linge coloré du blanc.
- Vider les poches et contrôler les boutons.
- Ne pas dépasser les valeurs indiquées dans le "Tableau des programmes" correspondant au poids de linge sec.

Combien pèse le linge ?

- 1 drap 400-500 g
- 1 taie d'oreiller 150-200 g
- 1 nappe 400-500 g
- 1 peignoir 900-1200 g
- 1 serviette éponge 150-250 g

Linge ou vêtements particuliers

Laine: grâce au programme **6** vous pouvez laver à la machine tous vos vêtements en laine, y compris ceux qui portent l'étiquette " lavage à la main uniquement " .

Pour obtenir d'excellents résultats utilisez un produit lessiviel spécial et ne dépassez pas une charge de 1,5 kg.

Soie: sélectionner le programme de lavage spécial **7** pour vêtements en soie. Il est conseillé d'utiliser une lessive spéciale pour linge délicat.

Voilage: pliez-les bien et glissez-les dans une taie d'oreiller ou dans un sac genre filet. Sélectionner le programme **7**.

Jeans: mettez les jeans à l'envers avant de les laver et utilisez une lessive liquide. Sélectionnez le programme **8**.

Système d'équilibrage de la charge

Avant tout essorage, pour éviter toute vibration excessive et répartir le linge de façon uniforme, le lavante-séchante fait tourner le tambour à une vitesse légèrement supérieure à la vitesse de lavage. Si au bout de plusieurs tentatives, la charge n'est toujours pas correctement équilibrée, l'appareil procède à un essorage à une vitesse inférieure à la vitesse normalement prévue. En cas de déséquilibre excessif, le lavante-séchante préfère procéder à la répartition du linge plutôt qu'à son essorage. Pour une meilleure répartition de la charge et un bon équilibrage, nous conseillons de mélanger de grandes et petites pièces de linge.

Il peut arriver que le lavante-séchante ne fonctionne pas bien. Avant d'appeler le Service de dépannage (voir "Assistance"), contrôler s'il ne s'agit pas par hasard d'un problème facile à résoudre à l'aide de la liste suivante.

Anomalies:

Le lavante-séchante ne s'allume pas.

Le cycle de lavage ne démarre pas.

Il n'y a pas d'arrivée d'eau (le voyant de la première phase de lavage clignote rapidement).

Le lavante-séchante prend l'eau et vidange continuellement.

Le lavante-séchante ne vidange pas et n'essore pas.

Le lavante-séchante vibre beaucoup pendant l'essorage.

Le lavante-séchante a des fuites.

Les voyants des options et le voyant START/PAUSE clignotent. Le voyant du phase de lavage et le voyant hublot bloqué restent fixes.

Il y a un excès de mousse.

Le lavante-séchante ne sèche pas.

Causes / Solutions possibles:

- La fiche n'est pas branchée dans la prise de courant ou mal branchée.
- Il y a une panne de courant.
- Le hublot n'est pas bien fermé.
- La touche ON/OFF n'a pas été enfoncée.
- La touche START/PAUSE n'a pas été enfoncée.
- Le robinet de l'eau n'est pas ouvert.
- Un départ différé a été sélectionné (voir "Personnalisations").
- Le tuyau d'arrivée de l'eau n'est pas raccordé au robinet.
- Le tuyau est plié.
- Le robinet de l'eau n'est pas ouvert.
- Il y a une coupure d'eau.
- La pression n'est pas suffisante.
- La touche START/PAUSE n'a pas été enfoncée.
- Le tuyau de vidange n'est pas installé à une distance du sol comprise entre 65 et 100 cm (voir "Installation").
- L'extrémité du tuyau de vidange est plongée dans l'eau (voir "Installation").
- L'évacuation murale n'a pas d'évent.

Si après ces vérifications, le problème persiste, fermer le robinet de l'eau, éteindre la machine et appeler le service Assistance. Si l'appartement est situé en étage dans un immeuble, il peut y avoir des phénomènes de siphonnage qui font que le lavante-séchante prend et évacue l'eau continuellement. Pour supprimer cet inconvénient, on trouve dans le commerce des soupapes spéciales anti-siphonnage.

- Le programme ne prévoit pas de vidange: pour certains programmes, il faut la faire partir manuellement.
- Le tuyau de vidange est plié (voir "Installation").
- La conduite d'évacuation est bouchée.
- Le tambour n'a pas été débloqué comme il faut lors de l'installation du lavante-séchante (voir "Installation").
- Le lavante-séchante n'est pas posé à plat (voir "Installation").
- Le lavante-séchante est coincé entre des meubles et le mur (voir "Installation").
- Le tuyau d'arrivée de l'eau n'est pas bien vissé (voir "Installation").
- Le tiroir à produits lessiviels est bouché (pour le nettoyer voir "Entretien et soin").
- Le tuyau de vidange n'est pas bien fixé (voir "Installation").
- Eteindre l'appareil et débrancher la fiche de la prise de courant, attendre 1 minute environ avant de rallumer.
Si l'anomalie persiste, appeler le service d'assistance.
- Le produit de lavage utilisé n'est pas une lessive spéciale machine (il faut qu'il y ait l'inscription "pour lavante-séchante", "main et machine", ou autre semblable).
- La quantité utilisée est excessive.
- La fiche n'est pas branchée dans la prise de courant ou mal branchée.
- Il y a une panne de courant.
- Le hublot n'est pas bien fermé.
- Un départ différé a été sélectionné.
- le bouton SÉCHAGE est sur la position 0.

Assistance

FR

Avant d'appeler le service après-vente:


- Vérifier si on ne peut pas résoudre l'anomalie par ses propres moyens (voir "*Anomalies et Remèdes*");
- Remettre le programme en marche pour contrôler si l'inconvénient a disparu;
- Autrement, contacter le Centre d'Assistance technique agréé au numéro de téléphone indiqué sur le certificat de garantie.

! Ne jamais s'adresser à des techniciens non agréés.

Communiquer:

- le type de panne;
- le modèle de l'appareil (Mod.);
- son numéro de série (S/N).

Ces informations se trouvent sur la plaque signalétique apposée à l'arrière du lavante-séchante et à l'avant quand on ouvre la porte hublot.

!  Dieses Symbol erinnert Sie daran, das vorliegende Handbuch zu lesen.

DE

DE

Deutsch

IWDC 71680

INHALTSVERZEICHNIS

Installation, 50-51

Auspacken und Aufstellen
Wasser- und Elektroanschlüsse
Erster Waschgang
Technische Daten

Reinigung und Pflege, 52

Abstellen der Wasser- und Stromversorgung
Reinigung des Gerätes
Reinigung der Waschmittelschublade
Pflege der Gerätetür und Trommel
Reinigung der Pumpe
Kontrolle des Wasserzulaufschlauchs

Vorsichtsmaßnahmen und Hinweise, 53

Allgemeine Sicherheit
Entsorgung

Beschreibung des Waschtrockner und Starten eines Waschprogramms, 54-55

Bedienblende
Kontrollleuchten
Starten eines Waschprogramms

Waschprogramme, 56

Programmtabelle

Personalisierungen, 57

Temperatureinstellung
Trocknungsprogramm einstellen
Funktionen

Waschmittel und Wäsche, 58

Waschmittelschublade
Vorsortieren der Wäsche
Besondere Wäscheteile
Unwuchtkontrollsystem

Störungen und Abhilfe, 59

Kundendienst, 60

Installation

DE

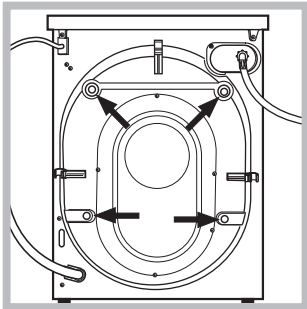
! Es ist äußerst wichtig, diese Bedienungsanleitung sorgfältig aufzubewahren, um sie jederzeit zu Rate ziehen zu können. Sorgen Sie dafür, dass sie im Falle eines Umzugs oder einer Übergabe an einen anderen Benutzer das Gerät stets begleitet, damit auch der neue Inhaber die Möglichkeit hat, diese zu Rate zu ziehen.

! Lesen Sie die Hinweise bitte aufmerksam durch, sie liefern wichtige Informationen hinsichtlich der Installation, des Gebrauchs und der Sicherheit.

Auspacken und Aufstellen

Auspacken

1. Gerät auspacken.
2. Sicherstellen, dass der Waschvollautomat keine Transportschäden erlitten hat. Im Falle einer Beschädigung Gerät bitte nicht anschließen, sondern den Kundendienst anfordern.

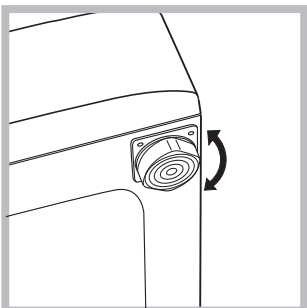


3. Die 4 Transportschutzschrauben herausschrauben und die an der Geräterückwand befindlichen Distanzstücke aus Gummi entfernen (siehe Abbildung).

4. Die Öffnungen mittels der mitgelieferten Abdeckungen verschliessen.
5. Sämtliche Teile aufbewahren: Sollte der Waschautomat erneut transportiert werden, müssen diese Teile wieder eingesetzt werden. ! Verpackungsmaterial ist kein Spielzeug für Kinder.

Nivellierung

1. Der Waschvollautomat muss auf einem ebenen, festen, schwingungsfreien Untergrund aufgestellt werden ohne diesen an Wände, Möbel etc. direkt anzulehnen.



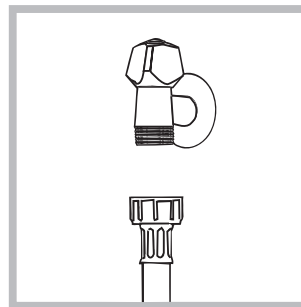
2. Sollte der Boden nicht perfekt eben sein, müssen die Unebenheiten durch An- bzw. Ausdrehen der vorderen Stellfüße ausgeglichen werden (siehe Abbildung), der auf der Arbeitsfläche zu ermittelnde Neigungsgrad darf 2°

nicht überschreiten.

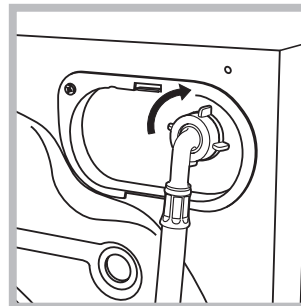
Eine präzise Nivellierung verleiht dem Gerät die erforderliche Stabilität, durch die Vibrationen, Betriebsgeräusche und ein Verrücken des Gerätes vermieden werden. Bei Teppichböden müssen die Stellfüße so reguliert werden, dass ein ausreichender Freiraum zur Belüftung unter dem Waschvollautomaten gewährleistet ist.

Wasser- und Elektroanschlüsse

Anschluss des Zulaufschlauches



1. Schrauben Sie den Wasserschlauch an einen Kaltwasserhahn mit $\frac{3}{4}$ -GAS-Gewindeanschluss an (siehe Abb.). Lassen Sie das Wasser vor dem Anschluss so lange auslaufen, bis klares Wasser austritt.



2. Das andere Ende des Schlauches an den oben rechts am Rückteil des Waschvollautomaten befindlichen Wasseranschluss anschließen (siehe Abbildung).

3. Der Schlauch darf hierbei nicht eingeklemmt oder abgeknickt werden.

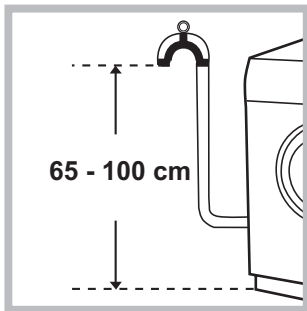
! Der Wasserdruck muss innerhalb der Werte liegen, die in der Tabelle der technischen Daten angegeben sind (siehe nebenstehende Seite).

! Sollte der Zulaufschlauch nicht lang genug sein, dann wenden Sie sich bitte an einen Fachhändler oder an einen autorisierten Fachmann.

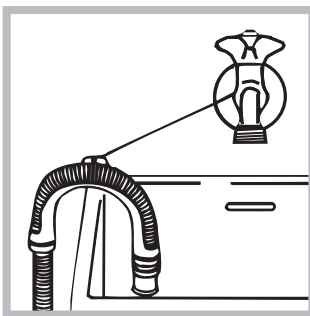
! Verwenden Sie niemals bereits gebrauchte Schläuche.

! Verwenden Sie die Schläuche, die mit dem Gerät geliefert wurden.

Anschluss des Ablaufschlauches



Schließen Sie den Ablaufschlauch ohne ihn dabei abzuknicken an einen geeigneten Abfluss an. Die Mindestablaufhöhe beträgt 65 - 100 cm (gemessen vom Boden), oder hängen Sie diesen mittels des Schlauchhalters gesichert in ein Becken oder Wanne ein;



Befestigen Sie diesen mittels des mitgelieferten Schlauchhalters z.B. an einen Wasserhahn (siehe Abbildung). Das freie Ablaufschlauchende darf nicht unter Wasser positioniert werden.

! Verlängerungsschläuche sollten nicht eingesetzt werden. Sollte dies unvermeidlich sein, muss die Verlängerung denselben Durchmesser des Originalschlauchs aufweisen und darf eine Länge von 150 cm nicht überschreiten.

Stromanschluss

Vor Einfügen des Netzsteckers in die Steckdose ist sicherzustellen, dass:

- die Steckdose über eine normgerechte Erdung verfügt;
- die Steckdose die in den Technischen Daten angegebenen Höchstlast des Gerätes trägt (siehe nebenstehende Tabelle);
- die Stromspannung den in den Technischen Daten angegebenen Werten entspricht (siehe nebenstehende Tabelle);
- die Steckdose mit dem Netzstecker des Waschvollautomaten kompatibel ist. Andernfalls muss der Netzstecker (oder die Steckdose) ersetzt werden.

! Der Waschvollautomat darf nicht im Freien installiert werden, auch nicht, wenn es sich um einen geschützten Platz handelt. Es ist gefährlich, das Gerät Gewittern und Unwettern auszusetzen.

! Die Steckdose sollte nach installiertem Gerät leicht zugänglich sein.

! Verwenden Sie bitte keine Verlängerungen oder Mehrfachstecker.

! Das Netzkabel darf nicht gebogen bzw. eingeklemmt werden.

! Das Versorgungskabel darf nur durch autorisierte Fachkräfte ausgetauscht werden.

Achtung! Der Hersteller übernimmt keinerlei Haftung, sollten diese Vorschriften nicht genau beachtet werden.

Erster Waschgang

Lassen Sie nach der Installation bzw. vor erstmaligem Gebrauch erst einen Waschgang (mit Waschmittel) ohne Wäsche durchlaufen. Stellen Sie hierzu das Waschprogramm **2** ein.

Technische Daten

Modell	IWDC 71680
Abmessungen	Breite 59,5 cm Höhe 85 cm Tiefe 53,5 cm
Fassungsvermögen	1 bis 7 kg für Waschzyklus 1 bis 5 kg für Trockenzyklus
Elektroanschlüsse	siehe das am Gerät befindliche Typenschild
Wasseranschlüsse	Höchstdruck 1 MPa (10 bar) Mindestdruck 0,05 MPa (0,5 bar) Trommelvolumen 52 Liter
Schleudertouren	bis zu 1600 U/min.

Prüfprogramme gemäß EN 50229

Waschen: Programm 2; Temperatur 60°C; bei einer Lademenge von 7 kg.
Trocknen: Die kleinere Ladung muss mit der Trockenstufe „A“ getrocknet werden und soll aus 2 Bettlaken, 1 Kissenbezug und 1 Handtuch bestehen; die Ladung mit der restlichen Wäsche muss mit der Trockenstufe „B“ getrocknet werden.



Dieses Gerät entspricht den folgenden EG-Richtlinien:

- 2004/108/CE (elektromagnetische Verträglichkeit)
- 2002/96/CE
- 2006/95/CE (Niederspannung)

Reinigung und Pflege

DE

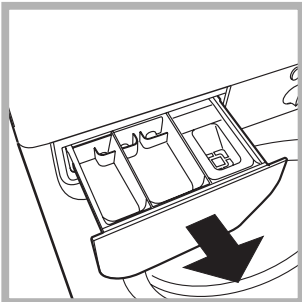
Abstellen der Wasser- und Stromversorgung

- Drehen Sie den Wasserhahn nach jedem Waschvorgang zu. Hierdurch wird der Verschleiß der Wasseranlage verringert und Wasserlecks vorgebeugt.
- Ziehen Sie den Netzstecker aus der Steckdose, bevor Sie Ihren Waschvollautomaten reinigen.

Reinigung des Gerätes

Die Gehäuseteile und die Teile aus Gummi können mit einem mit warmer Spülmittellauge angefeuchteten Tuch gereinigt werden. Vermeiden Sie Löse- und Scheuermittel

Reinigung der Waschmittelschublade



Heben Sie die Schublade leicht an und ziehen Sie sie nach vorne hin heraus (siehe Abbildung). Spülen Sie sie regelmäßig unter fließendem Wasser gründlich aus.

Pflege der Gerätetür und Trommel

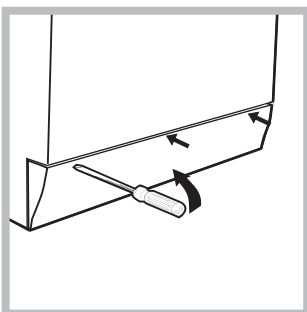
- Lassen Sie die Gerätetür stets leicht offen stehen, um die Bildung unangenehmer Gerüche zu vermeiden.

Reinigung der Pumpe

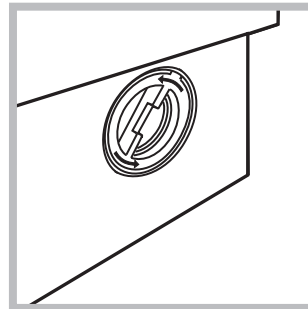
Ihr Gerät ist mit einer selbstreinigenden Pumpe ausgerüstet, eine Wartung ist demnach nicht erforderlich. Es könnte jedoch vorkommen, dass kleine Gegenstände (Münzen, Knöpfe) in die zum Schutz der Pumpe dienende Vorkammer (befindlich unter der Pumpe) fallen.

! Vergewissern Sie sich, dass der Waschgang abgeschlossen ist und ziehen Sie den Netzstecker heraus.

Zugang zur Vorkammer:



1. Nehmen Sie die Abdeckung (befindlich an der Gerätefront) mit Hilfe eines Schraubenziehers ab (siehe Abbildung);



2. Drehen Sie den Deckel gegen den Uhrzeigersinn ab (siehe Abbildung); es ist ganz normal, wenn etwas Wasser austritt;

3. Reinigen Sie das Innere gründlich;
4. Schrauben Sie den Deckel wieder auf;
5. Bringen Sie die Abdeckung wieder an. Stellen Sie hierbei sicher, dass die Haken in die Schlitze eingreifen, bevor Sie die Abdeckung fest andrücken.

Kontrolle des Wasserzulaufschlauchs

Kontrollieren Sie den Zulaufschlauch mindestens einmal im Jahr. Weist er Risse bzw. Brüche auf, muss er ausgetauscht werden. Der starke Druck während des Waschprogramms könnte zu plötzlichem Platzen führen.

! Verwenden Sie niemals bereits gebrauchte Schläuche.

! Der Waschvollautomat wurde nach den strengsten internationalen Sicherheitsvorschriften entworfen und gebaut. Nachstehende Hinweise werden aus Sicherheitsgründen geliefert und sollten aufmerksam gelesen werden.

Allgemeine Sicherheit

- Dieses Gerät ist nicht zur Verwendung durch Personen (einschließlich Kinder) mit eingeschränkten körperlichen, geistigen oder sensorialen Fähigkeiten oder ohne ausreichende Erfahrung und Kenntnis geeignet, es sei denn, sie werden durch eine für ihre Sicherheit verantwortliche Person beaufsichtigt und eingewiesen. Kinder müssen beaufsichtigt werden, um sicherzustellen, dass sie nicht mit dem Gerät spielen.
 - Trocken Sie keine nicht gewaschenen Wäschestücke.
 - Wäschestücke, die mit Substanzen wie Speiseöl, Nagellackentferner, Alkohol, Benzin, Kerosin, Fleckenentferner, Terpentin, Wachse und Stoffe zum Entfernen von Wachsen verschmutzt sind, müssen in warmem Wasser mit einer größeren Menge Waschmittel gewaschen werden, bevor Sie in den Trockner gegeben werden dürfen.
 - Gegenstände wie Schaumgummi (Latex), Duschhauben, wasserdichte Textilien, Artikel mit einer Gummiseite oder Kleidung oder Kissen mit Latexanteilen dürfen nicht in dem Wäschetrockner getrocknet werden.
 - Weichspüler oder ähnliche Produkte müssen gemäß der Anweisungen des Herstellers verwendet werden.
 - Die Endphase eines Trockenzyklus erfolgt ohne Hitze (Abkühlzyklus), damit die Wäsche nicht beschädigt wird.
- **ACHTUNG:** Halten Sie den Wäschetrockner nie vor Ablauf des Trockenprogramms an. Nehmen Sie in diesem Fall die Wäsche schnell aus dem Gerät heraus und hängen Sie sie sofort auf, damit sie abkühlen kann.
- Dieses Gerät wurde ausschließlich für den Einsatz im privaten Haushalt konzipiert.
- Berühren Sie das Gerät nicht, wenn Sie barfuß sind, und auch nicht mit nassen oder feuchten Händen oder Füßen.
- Ziehen Sie den Gerätestecker nicht am Kabel aus der Steckdose, sondern nur am Netzstecker selbst.
- Öffnen Sie die Waschmittelschublade nicht, wenn das Gerät in Betrieb ist.
- Berühren Sie nicht das Ablaufwasser, es könnte sehr heiß sein.
- Öffnen Sie die Gerätetür nicht mit Gewalt: Der Sicherheits-Schließmechanismus könnte hierdurch beschädigt werden.
- Bei etwaigen Störungen versuchen Sie bitte nicht, Innenteile selbst zu reparieren.
- Halten Sie Kinder stets von dem in Betrieb befindlichen Gerät fern.
- Während des Waschganges kann die Gerätetür sehr heiß werden.
- Muss das Gerät versetzt werden, sollten hierfür zwei oder drei Personen verfügbar sein. Versetzen Sie es niemals allein, das Gerät ist äußerst schwer.

- Bevor Sie die Wäsche einfüllen, stellen Sie bitte sicher, dass die Wäschetrommel leer ist.
- Während des Trocknens kann die Gerätetür heiß werden.
- Trocknen Sie keine Wäsche, die in brennbaren Lösemitteln (wie Trielin) gewaschen wurde.
- Trocknen Sie weder Schaumgummi noch ähnliche Elastomer bzw. Gummimaterialien.
- Vergewissern Sie sich, dass der Wasserhahn während des Trocknens auf ist.

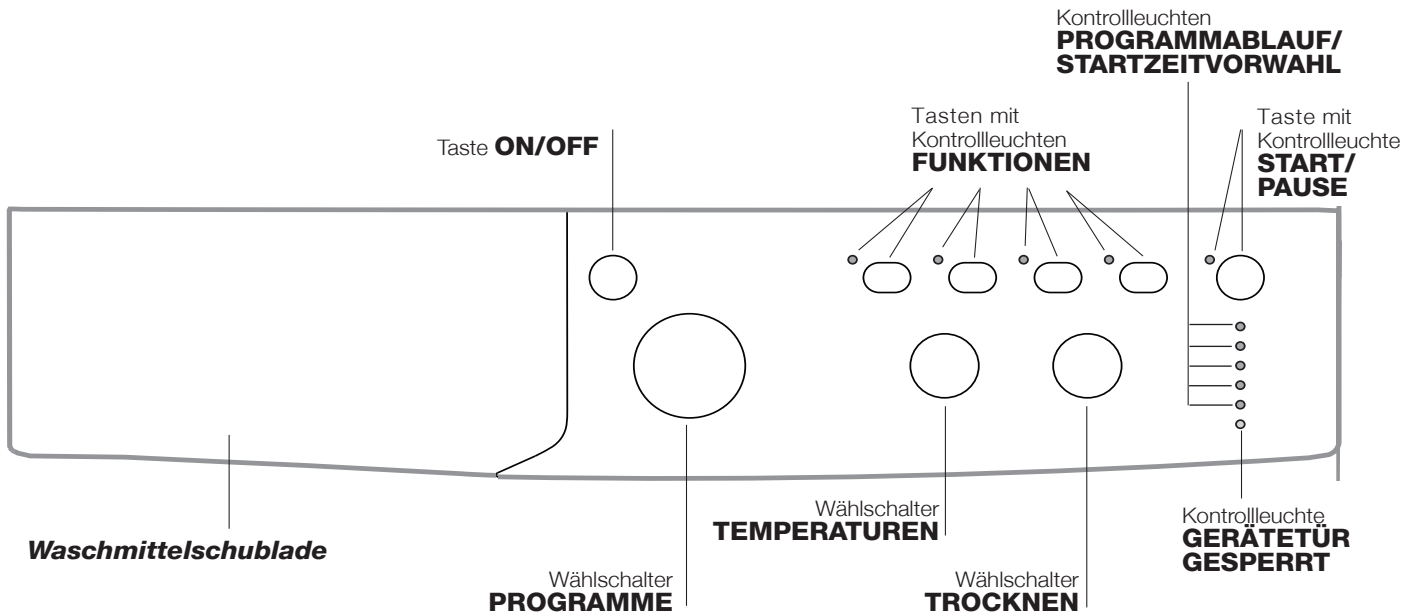
Entsorgung

- Entsorgung des Verpackungsmaterials: Befolgen Sie die lokalen Vorschriften, Verpackungsmaterial kann wiederverwertet werden.
- Gemäß der Europäischen Richtlinie 2002/96/EC über Elektro- und Elektronik-Altgeräte dürfen Elektrophaltungs-Altgeräte nicht über den herkömmlichen Haushaltsmüllkreislauf entsorgt werden. Altgeräte müssen separat gesammelt werden, um die Wiederverwertung und das Recycling der beinhaltenen Materialien zu optimieren und die Einflüsse auf die Umwelt und die Gesundheit zu reduzieren. Das Symbol „durchgestrichene Mülltonne“ auf jedem Produkt erinnert Sie an Ihre Verpflichtung, dass Elektrohaushaltsgeräte gesondert entsorgt werden müssen. Endverbraucher können sich an Abfallämter der Gemeinden wenden, um mehr Informationen über die korrekte Entsorgung ihrer Elektrohaushaltsgeräte zu erhalten.

Beschreibung des Waschtrockner und Starten eines Waschprogramms

DE

Bedienblende



Waschmittelschublade: für Waschmittel und Zusätze (siehe „Waschmittel und Wäsche“).

Taste ON/OFF: Zum Ein- und Ausschalten Ihres Waschtrockner.

Wählschalter PROGRAMME: Zur Wahl der Waschprogramme. Während des Programmablaufs bleibt der Schalter feststehend.

Tasten mit Kontrollleuchten FUNKTIONEN: Zur Einstellung der verfügbaren Funktionen. Die der gewählten Einstellung entsprechende Kontrollleuchte bleibt eingeschaltet.

Wählschalter TROCKNEN: Zur Einstellung des gewünschten Trocknungsgrades (siehe „Personalisierungen“).


Wählschalter TEMPERATUREN: Zur Einstellung der Waschtemperatur oder einer Kaltwäsche (siehe „Personalisierungen“).

Kontrollleuchten PROGRAMMABLAUF/STARTZEITVORWAHL: Zur Kontrolle des Waschprogrammablaufs. Die eingeschaltete Kontrollleuchte zeigt die laufende Programmphase an.

Wurde die Funktion „Startzeitvorwahl“ eingestellt, zeigen sie die bis zum Start noch verbleibende Zeit an (siehe Nebenseite).

Kontrollleuchte GERÄTETÜR GESPERRT: Diese Taste zeigt an, ob die Gerätetür geöffnet werden kann oder nicht (siehe Nebenseite).

Taste mit Kontrollleuchte START/PAUSE: Mittels dieser Taste werden die Waschprogramme gestartet oder kurz unterbrochen.

NB: Durch Drücken dieser Taste, kann das Waschprogramm zeitweilig unterbrochen werden (Pause). Die entsprechende Kontrollleuchte schaltet auf orangefarbenes Blinklicht, die Kontrollleuchte der bestehenden Programmphase dagegen schaltet auf Dauerlicht. Sobald die Kontrollleuchte GERÄTETÜR GESPERRT  erlischt, kann die Gerätetür geöffnet werden.

Um das Programm an der Stelle, an der es unterbrochen wurde, wieder in Gang zu setzen, drücken Sie diese Taste erneut.

Funktion Standby

Zur Erfüllung der neuen Richtlinien zum Energieverbrauch ist diese Waschmaschine mit einem automatischen Ausschaltensystem (Standby) ausgestattet, das nach 30 Minuten des Nichtgebrauchs in Funktion tritt. Drücken Sie kurz die Taste ON/OFF und warten Sie, bis sich die Maschine wieder einschaltet.

Verbrauch in Off-Betrieb: 0,5 W

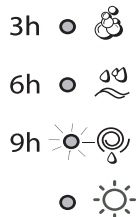
Verbrauch in Left-On: 0,5 W

Kontrollleuchten

Die Kontrollleuchten liefern wichtige Hinweise. Sie signalisieren:

Startzeitvorwahl

Wurde die Funktion „Startzeitvorwahl“ (siehe „Personalisierungen“) aktiviert, und das Programm in Gang gesetzt, schaltet die Kontrollleuchte, die der eingestellten Zeitverschiebung entspricht, auf Blinklicht:



Nach und nach wird die bis zum effektiven Start noch verbleibende Zeit eingeleuchtet, die entsprechende Kontrollleuchte blinkt:





Nach Ablauf der eingestellten Verzögerungszeit startet das ausgewählte Programm.

Laufende Programmphase

Wurde das Waschprogramm gewählt und gestartet, leuchten die Kontrollleuchten nach und nach auf, und zeigen so den jeweiligen Programmstand an.

Starten eines Waschprogramms

1. Schalten Sie den Waschtrockner durch Drücken der ON/OFF-Taste ein. Sämtliche Kontrollleuchten leuchten für einige Sekunden auf, und erlöschen wieder. Die Kontrollleuchte START/PAUSE schaltet auf Blinklicht.
2. Füllen Sie die Wäsche ein, und schließen Sie die Gerätetür.
3. Stellen Sie mittels des Wählschalters PROGRAMME das gewünschte Programm ein.
4. Stellen Sie die Waschtemperatur ein (siehe „Personalisierungen“).
5. Trocknungsprogramm falls erforderlich einstellen (siehe „Personalisierungen“).
6. Füllen Sie Waschmittel und Zusätze ein (siehe „Waschmittel und Wäsche“).
7. Wählen Sie die gewünschten Funktionen.
8. Setzen Sie das Programm in Gang. Drücken Sie hierzu die Taste START/PAUSE. Die entsprechende Kontrollleuchte bleibt eingeschaltet (grünes Dauerlicht). Um die Waschprogramm-Einstellung rückgängig zu machen, muss das Gerät auf Pause geschaltet werden. Drücken Sie hierzu die Taste START/PAUSE. Wählen Sie daraufhin das neue Programm.
9. Nach Ablauf des Waschprogramms leuchtet die Kontrollleuchte **END** auf. Sobald die Kontrollleuchte GERÄTETÜR GESPERRT  erlischt, kann das Bullauge geöffnet werden. Nehmen Sie die Wäsche aus der Maschine und lassen Sie die Gerätetür leicht offen stehen, damit die Trommel trocknen kann. Schalten Sie den Waschtrockner durch Drücken der ON/OFF-Taste aus.

Hauptwäsche	
Spülen	
Schleudern/Wasserablauf	
Trocknen	
Ende des Waschgangs	

NB: denken Sie daran, den Schalterknopf bei Programmende auf die Position TROCKNEN zu stellen **0**.

Funktionstasten und entsprechende Kontrollleuchten

Nach der Wahl einer Funktion leuchtet die entsprechende Taste auf. Ist die gewählte Funktion nicht vereinbar mit dem eingestellten Programm, schaltet die entsprechende Kontrollleuchte auf Blinklicht und die Funktion wird nicht aktiviert. Ist die gewählte Funktion mit einer anderen bereits eingestellten nicht kompatibel, schaltet die der ersten Funktion entsprechende Kontrollleuchte auf Blinklicht und nur die zweite Funktion wird aktiviert, die Kontrollleuchte der aktivierten Funktion schaltet auf Dauerlicht.




Kontrollleuchte Gerätetür gesperrt:

Ist diese Kontrollleuchte eingeschaltet, bedeutet dies, dass das Bullauge gesperrt ist; warten Sie, bis die Leuchte erlischt, um das Bullauge zu öffnen (etwa 3 Minuten). Um während eines laufenden Programms das Bullauge zu öffnen, drücken Sie die Taste START/PAUSE; ist die der GERÄTETÜR GESPERRT entsprechende Kontrollleuchte ausgeschaltet, kann das Bullauge geöffnet werden.

Waschprogramme

DE

Programmtabelle

Waschprogramm	Beschreibung des Programms	Max. Temperatur (°C)	Max. Schleudergeschwindigkeit (U/min)	Trockner	Waschmittel			Max. Beladungsmenge (kg)	Programmdauer
					Vorwäsche	Hauptwäsche	Weichspüler		
Tägliche Wäsche									
1	Baumwolle mit Vorwäsche: stark verschmutzte Kochwäsche.	90°	1600	●	●	●	●	7	170'
2	Weißer Baumwolle: stark verschmutzte Kochwäsche.	90°	1600	●	-	●	●	7	155'
2	Weißer Baumwolle (1): stark verschmutzte Weiß- und farbechte Buntwäsche.	60°	1600	●	-	●	●	7	155'
2	Weißer Baumwolle (2): leicht verschmutzte Weiß- und empfindliche Buntwäsche.	40°	1600	●	-	●	●	7	145'
3	Baumwolle: stark verschmutzte Weiß- und farbechte Buntwäsche.	60°	1600	●	-	●	●	7	130'
4	Buntwäsche: leicht verschmutzte Weißwäsche und empfindliche Buntwäsche.	40°	1600	●	-	●	●	7	90'
5	Synthetik: stark verschmutzte, farbechte Buntwäsche.	60°	800	●	-	●	●	3	85'
Spezialprogramme									
6	Wolle: Wolle, Kaschmir usw.	40°	800	-	-	●	●	1,5	55'
7	Seide/Gardinen: Kleidungsstücke aus Seide, Viskose und Feinwäsche.	30°	0	-	-	●	●	1	55'
8	Jeans	40°	800	●	-	●	●	3	80'
9	Sport Light	30°	600	-	-	●	●	3	70'
10	Spezial Schuhe	30°	600	-	-	●	●	Max. 2 paar	50'
Trocknerprogramme									
11	Baumwolle	-	-	●	-	-	-	5	-
12	Synthetik	-	-	●	-	-	-	3	-
13	Express	30°	1600	●	-	●	●	0,5	35'
Teilprogramme									
	Spülen	-	1600	●	-	-	●	7	36'
	Schleudern	-	1600	●	-	-	-	7	16'
	Abpumpen	-	0	-	-	-	-	7	2'

Die auf dem Display und in der Bedienungsanleitung genannte Zyklusdauer wird ausgehend von Standardbedingungen berechnet. Die effektiv benötigte Zeit kann aufgrund zahlreicher Faktoren wie Temperatur und Druck des Zulaufwassers, Raumtemperatur, Waschmittelmenge, Art, Menge und Verteilung der Waschladung sowie der gewählten Zusatzfunktionen variieren.

Für alle Testinstitute:

- 1) Prüfprogramm gemäß EN 50229: Programm 2 und eine Temperatur von 60°C einstellen.
- 2) Langes Baumwollprogramm: Programm 2 und eine Temperatur von 40°C einstellen.

Sonderprogramme

Sport Light (Programm 9) ist speziell für wenig verschmutzte Sportkleidung (Trainingsanzüge, Sporthosen; für beste Resultate empfehlen wir, die in der "Programmtabelle" angezeigte maximale Füllmenge nicht zu übersteigen. Verwenden Sie ein Flüssigwaschmittel und nur die Menge für eine halbe Gerätefüllung.

Spezial Schuhe (Programm 10) ist speziell für das Waschen von Sportschuhen; für beste Resultate waschen Sie nicht mehr als 2 Paar.

Express (programm 13) ist speziell für die schnelle Wäsche von wenig verschmutzten Wäschestücken. Mit diesem Programm können bis zu 0,5 kg in nur 35 Minuten gewaschen und getrocknet werden. Für ein optimales Resultat verwenden Sie Flüssigwaschmittel; behandeln Sie Bündchen, Kragen und Flecken vor.

Temperatureinstellung

Drehen Sie den Wählschalter „TEMPERATUREN“, um die Wascht temperatur einzustellen (siehe *Programmtabelle*). Die Temperatur kann bis auf Kaltwäsche herabgesetzt werden. Der Waschvollautomat verhindert automatisch die Einstellung einer höheren Schleuderstufe, sollte diese die für das jeweilige Programm vorgeschriebene Höchstgeschwindigkeit übersteigen.

Trocknungsprogramm einstellen

Durch Drehen des Wählschalters TROCKNEN kann der gewünschte Trocknungsgrad eingestellt werden. Es stehen zwei Möglichkeiten zur Verfügung:

A - Je nach der Zeit: Von **40** bis **180** Minuten.

B - Je nach Feuchtigkeitsgrad der getrockneten Wäsche:

Bügel : noch leicht feuchte, einfach zu bügelnde Wäsche.

Kleiderbügel : schrankfertige Wäsche.

Schrank : absolut trockene Wäsche, empfohlen für Frotteetücher, Badetücher und -mäntel.

Bei Überschreitung der max. Füllmenge der Wäscheladung

für waschen und trocknen in einem Programmablauf (siehe *Tabelle zur Dauer der Trockenprogramme*), aktivieren Sie zuerst das Waschprogramm. Nach Ablauf des Waschprogramms teilen Sie die Waschl adung so auf, dass nur die max. mögliche Füllmenge zum Trocknen in der Trommel verbleibt. Befolgen Sie daraufhin die Anleitungen des Abschnitts **„Nur Trocknen“**. Wiederholen Sie dasselbe nun mit der restlichen Wäschemenge.

Nur Trocknen

Drehen Sie den Wählschalter PROGRAMME auf eine der Trocknungszyklen (**11-12**), je nach Gewebe, und wählen Sie daraufhin mittels des Schalters TROCKNEN die Dauer des gewünschten Trocknungsanges.

Funktionen

Die verschiedenen Waschfunktionen, die Ihnen Ihr Waschvollautomat bietet, ermöglichen es Ihnen, hygienisch saubere und weiße Wäsche zu erhalten, die Ihren Wünschen entspricht.

Aktivierung der Funktionen:

1. Drücken Sie die Taste, die der gewünschten Funktion entspricht.
2. Das Aufleuchten der entsprechenden Kontrollleuchte zeigt an, dass die Funktion aktiviert wurde.

Anmerkung: Sollte die Kontrollleuchte jedoch auf rasches Blinklicht schalten, dann bedeutet dies, dass die Funktion zu dem eingestellten Programm nicht zugeschaltet werden kann.

EcoTime

Durch Auswahl dieser Option werden die mechanische Bewegung, die Temperatur und das Wasser für eine verminderte Füllmenge mit wenig verschmutzten Baumwoll- und Synthetikstoffen optimiert (siehe *„Programmtabelle“*).

Mit EcoTime werden die Waschzeiten verkürzt, was Wasser und Energie spart. Wir empfehlen, die für die Füllmenge geeignete Menge Flüssigwaschmittel zu verwenden.

! Diese Funktion kann zu den Programmen 1, 2, 6, 7, 8, 9, 10, 11, 12, 13, , , nicht zugeschaltet werden.

Energy Saver

Die Funktion trägt dazu bei, Energie zu sparen, indem das Wasser für die Wäsche nicht aufgeheizt wird - ein Vorteil sowohl für die Umwelt als auch für die Stromrechnung. Tatsächlich sichern die verstärkte Waschaktion und der optimierte Wasserverbrauch hervorragende Ergebnisse bei gleicher durchschnittlicher Dauer eines Standardzyklusses zu. Für maximale Waschergebnisse empfehlen wir den Einsatz eines Flüssigwaschmittels.

! Diese Funktion kann zu den Programmen 1, 6, 7, 9, 10, 11, 12, 13, , , nicht zugeschaltet werden.

1600-800

Mit dieser Taste wird die Schleudergeschwindigkeit reduziert.

! Diese Funktion kann zu den Programmen 7, 11, 12, 13, nicht zugeschaltet werden.

Startzeitvorwahl

Der Start des Waschprogramms kann bis zu 9 Stunden verschoben werden. Drücken Sie die Taste mehrmals, bis die der gewünschten Zeitverschiebung entsprechende Kontrollleuchte aufleuchtet. Ein fünfter Tastendruck deaktiviert die Funktion.

NB: Ist die Taste START/PAUSE einmal gedrückt, kann der gewählte Zeitverschiebungswert nur noch herabgesetzt werden bis zum Start des eingestellten Programms.

! Obiges gilt für alle Programme.

Tabelle zur Dauer der Trockenprogramme (Richtwerte)

Gewebeart	Art der Ladung	Max. ladmenge (kg)	Schrank	Kleiderbügel	Bügel
Baumwolle	Unterschiedlich große Wäscheteile, Frotteehandtücher	5	180	170	140
Synthetik	Bettwäsche, Oberhemden, Schalfanzüge, Socken usw.	3	140	120	100

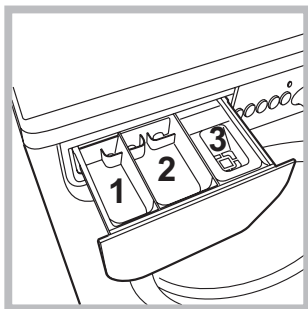
Waschmittel und Wäsche

DE

Waschmittel und Wäsche

Ein gutes Waschergebnis hängt auch von einer korrekten Waschmitteldosierung ab: Eine zu hohe Dosierung bedeutet nicht unbedingt reinere Wäsche, sie trägt nur dazu bei, die Maschineninnenteile zu verkrusten und die Umwelt zu belasten.

! Verwenden Sie keine Handwaschmittel, sie verursachen eine zu hohe Schaumbildung.



Schublade herausziehen und Waschmittel oder Zusätze wie folgt einfüllen:

In Kammer 1: Waschpulver für die Vorwäsche (Waschpulver)

In Kammer 2: Waschmittel für die Hauptwäsche (Waschpulver oder Flüssigwaschmittel)

Flüssigwaschmittel nur kurz vor dem Start einfüllen.

In Kammer 3: Zusätze (Weichspüler usw.)

Der Weichspüler darf das Gitter nicht übersteigen.


Vorsortieren der Wäsche

- Sortieren Sie die Wäsche nach:
 - Gewebeat / Waschetikettensymbol.
 - und Farben: Buntwäsche von Weißwäsche trennen.
- Entleeren Sie alle Taschen.
- Das in der „Programmtabelle“ angegebene Gewicht, beschreibt die maximale Ladung Trockenwäsche und darf nicht überschritten werden.

Wie schwer ist Wäsche?

- 1 Betttuch 400-500 gr
- 1 Kissenbezug 150-200 gr
- 1 Tischdecke 400-500 gr
- 1 Bademantel 900-1.200 gr
- 1 Handtuch 150-250 gr

Besondere Wäscheteile

Wolle: Mit dem Programm **6** können alle Woll Sachen gewaschen werden, auch wenn das Etikett „nur Handwäsche“  zeigt. Für beste Ergebnisse verwenden Sie ein spezifisches Waschmittel und waschen Sie maximal 1,5 kg Wäsche.

Seide: Wählen Sie das Spezialprogramm **7** zum Waschen aller Kleidungs- bzw. Wäschestücke aus Seide. Es empfiehlt sich der Einsatz von Feinwaschmittel.

Gardinen: Sie sollten zusammengelegt und in den mitgelieferten Beuteln gesteckt werden. Stellen Sie das Programm **7** ein.

Jeans: drehen Sie die Wäschestücke vor der Wäsche auf links und verwenden Sie ein Flüssigwaschmittel. Stellen Sie das Programm **8** ein.

Unwuchtkontrollsystem

Um starke Vibrationen oder eine Unwucht beim Schleudern zu vermeiden, verfügt das Gerät über ein Schleuderunwuchtsystem. Die Waschladung wird durch eine erhöhte Rotation der Trommel als die des WASchganges ausbalanciert. Sollte die Wäscheladung nach Ablauf mehrerer Versuche immer noch nicht korrekt verteilt sein, schleudert das Gerät die Wäsche bei einer niedrigeren Geschwindigkeit als die der vorgesehenen Schleudergeschwindigkeit. Sollte die Wäsche extrem ungleichmäßig verteilt sein, führt das Gerät anstelle des Schleudergangs einen Wäscheverteilungs-Zyklus durch. Um eine optimale Verteilung der Wäscheladung und somit eine korrekte Auswuchtung zu fördern, sollten große und kleine Wäscheteile gemischt eingefüllt werden.

Bei Funktionsstörung: Bevor Sie sich an den Technischen Kundendienst wenden (siehe „Kundendienst“), vergewissern Sie sich zuerst, ob es sich nicht um eine Kleinigkeit handelt, die Sie selbst beheben können. Ziehen Sie hierzu nachstehendes Verzeichnis zu Rate.

Störungen:

Der Waschvollautomat schaltet sich nicht ein.

Der Waschgang startet nicht.

Der Waschvollautomat lädt kein Wasser. Die Kontrollleuchte der ersten Waschphase blinkt (rasches Blinklicht).

Der Waschvollautomat lädt laufend Wasser und pumpt es laufend ab.

Der Waschvollautomat pumpt nicht ab und schleudert nicht.

Der Waschvollautomat vibriert zu stark während des Schleuderns.

Der Waschvollautomat ist undicht.

Die Kontrollleuchten „Funktionen“ und „Start/Pause“ blinken und eine der Kontrollleuchten der „laufenden Programmphase“ sowie die für „Gerätetür gesperrt“ bleiben eingeschaltet.

Es bildet sich zu viel Schaum.

Der Waschtrockner trocknet nicht.

Mögliche Ursachen / Lösungen:

- Der Stecker steckt nicht in der Steckdose, oder nicht so, dass der Kontakt hergestellt wird.
- Der Strom ist ausgefallen.
- Die Gerätetür wurde nicht vorschriftsmäßig geschlossen.
- Die ON/OFF-Taste wurde nicht gedrückt.
- Die Taste START/PAUSE wurde nicht gedrückt.
- Der Wasserhahn ist nicht aufgedreht.
- Es wurde ein verzögerter Start gewählt (siehe „Personalisierungen“).
- Der Zufuhrschlauch ist nicht am Wasserhahn angeschlossen.
- Der Schlauch ist geknickt.
- Der Wasserhahn ist nicht aufgedreht.
- Es ist kein Wasser da.
- Der Druck ist unzureichend.
- Die Taste START/PAUSE wurde nicht gedrückt.
- Der Ablaufschlauch befindet sich nicht auf der vorgeschriebenen Höhe, d.h. 65 – 100 cm vom Boden (siehe „Installation“).
- Das Schlauchende liegt unter Wasser (siehe „Installation“).
- Der Abfluss der Hausinstallation wurde nicht mit einer Entlüftungsöffnung versehen.
Konnte die Störung durch diese Kontrollen nicht behoben werden, dann drehen Sie den Wasserhahn zu, schalten das Gerät aus und fordern den Kundendienst an. Falls Sie in einer der obersten Etagen eines Gebäudes wohnen, kann es vorkommen, dass sich im Syphon ein Vakuum bildet, und der Waschvollautomat ständig Wasser ansaugt und wieder abpumpt. Zur Lösung dieser Probleme bietet der Handel spezielle Syphonventile.
- Das Programm siehe kein Abpumpen vor: Bei einigen Programmen muss es von Hand eingestellt werden (siehe „Starten eines Waschprogramms“).
- Der Ablaufschlauch ist geknickt (siehe „Installation“).
- Die Ablaufleitung ist verstopft.
- Die Trommel wurde bei der Installation nicht korrekt befreit (siehe „Installation“).
- Der Waschvollautomat steht nicht eben (siehe „Installation“).
- Der Waschvollautomat steht zu eng zwischen der Wand und einem Möbel (siehe „Installation“).
- Der Zulaufschlauch wurde nicht ordnungsgemäß aufgeschraubt (siehe „Installation“).
- Die Waschmittelschublade ist verstopft (zur Reinigung siehe „Wartung und Pflege“).
- Der Ablaufschlauch ist nicht korrekt befestigt (siehe „Installation“).
- Schalten Sie das Gerät aus und ziehen Sie den Netzstecker; warten Sie daraufhin ca. 1 Minute und schalten Sie es wieder ein.
Bleibt die Störung bestehen, kontaktieren Sie bitte den Kundendienst.
- Das Waschmittel ist für Waschmaschinen nicht geeignet (es muss mit der Aufschrift „Für Waschmaschinen“, „Für Handwäsche und Waschmaschinen“ usw. versehen sein).
- Es wurde zu hoch dosiert.
- Der Stecker steckt nicht in der Steckdose, oder nicht so, dass der Kontakt hergestellt wird.
- Der Strom ist ausgefallen.
- Das Füllfenster ist nicht richtig geschlossen.
- Es wurde ein verzögerter Start gewählt.
- Der Wählschalter TROCKNEN befindet sich auf Position 0.

Kundendienst

DE

Bevor Sie sich an den Kundendienst wenden:

- Sollten einige Kontrollen vorab selbst durchgeführt werden (*siehe „Störungen und Abhilfe“*);
- Starten Sie daraufhin das Programm erneut, um sicherzustellen, dass die Störung auch wirklich behoben wurde;
- Ist dies nicht der Fall, dann kontaktieren Sie den autorisierten Kundendienst unter der auf dem Garantieschein befindlichen Telefonnummer.

! Wenden Sie sich auf keinen Fall an nicht autorisierte Techniker.

Geben Sie bitte Folgendes an:

- die Art der Störung;
- das Maschinenmodell (Mod.);
- die Seriennummer (S/N).

Diese Daten entnehmen Sie bitte dem auf der Rückseite des Waschtrockner und auf der Vorderseite (Gerätetür öffnen) befindlichen Typenschild.

GR

Ελληνικά

IWDC 71680

 Το σύμβολο αυτό σου θυμίζει να διαβάξεις αυτό το εγχειρίδιο οδηγιών.

GR

Περιεχόμενα

Εγκατάσταση, 62-63

Αποσυσκευασία και οριζοντίωση
Υδραυλικές και ηλεκτρικές συνδέσεις
Πρώτος κύκλος πλυσίματος
Τεχνικά στοιχεία

Συντήρηση και φροντίδα, 64

Αποκλεισμός νερού και ηλεκτρικού ρεύματος
Καθαρισμός του πλυντηρίου
Καθαρισμός του συρταριού απορρυπαντικών
Φροντίδα της πόρτας και του κάδου
Καθαρισμός της αντλίας
Έλεγχος του σωλήνα τροφοδοσίας του νερού

Προφυλάξεις και συμβουλές, 65

Γενική ασφάλεια
Διάθεση

Περιγραφή του πλυντηρίου και εκκίνηση ενός προγράμματος, 65-67

Πίνακας ελέγχου
Ενδεικτικά φωτάκια
Εκκίνηση ενός προγράμματος

Προγράμματα, 68

Πίνακας των Προγραμμάτων

Εξατομικεύσεις, 69

Θέστε τη θερμοκρασία
Θέστε το στέγνωμα
Λειτουργίες

Απορρυπαντικά και μπουγάδα, 70

Θήκη απορρυπαντικών
Προετοιμασία της μπουγάδας
Ειδικά ρούχα
Σύστημα ισοστάθμισης του φορτίου

Ανωμαλίες και λύσεις, 71

Υποστήριξη, 72

Εγκατάσταση

GR

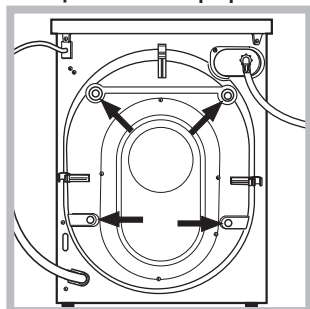
! Είναι σημαντικό να διατηρήσετε το εγχειρίδιο αυτό για να μπορείτε να το συμβουλευέστε οποιαδήποτε στιγμή. Σε περίπτωση πώλησης, παραχώρησης ή μετακόμισης, βεβαιωθείτε ότι παραμένει μαζί με το πλυντήριο για να πληροφορεί τον νέο ιδιοκτήτη για τη λειτουργία και τις σχετικές προειδοποιήσεις.

! Διαβάστε προσεκτικά τις οδηγίες: υπάρχουν σημαντικές πληροφορίες για την εγκατάσταση, τη χρήση και την ασφάλεια.

Αποσυσκευασία και οριζόντιωση

Αποσυσκευασία

1. Αποσυσκευάστε το πλυντήριο.
2. Ελέγξτε αν το πλυντήριο έχει υποστεί ζημιές κατά τη μεταφορά. Αν έχει υποστεί ζημιές μην το συνδέετε και επικοινωνήστε με τον μεταπωλητή.



3. Αφαιρέστε τις 4 βίδες προστασίας για τη μεταφορά και το λαστιχάκι με το σχετικό διαχωριστικό, που βρίσκονται στο πίσω μέρος (βλέπε εικόνα).

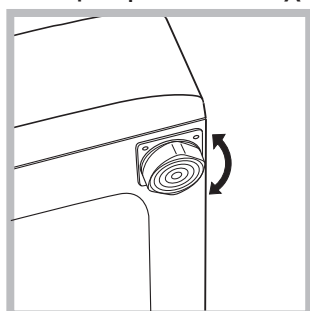
4. Κλείστε τις οπές με τα πλαστικά πώματα που σας παρέχονται.

5. Διατηρείστε και τα τρία τεμάχια: αν το πλυντήριο χρειαστεί να μεταφερθεί, θα πρέπει να ξαναμονταριστούν.

! Οι συσκευασίες δεν είναι παιχνίδια για μικρά παιδιά.

Ευθυγράμμιση

1. Εγκαταστήστε το πλυντήριο σε ένα δάπεδο επίπεδο και ανθεκτικό, χωρίς να το ακουμπήσετε σε τοίχους, έπιπλα ή άλλο.

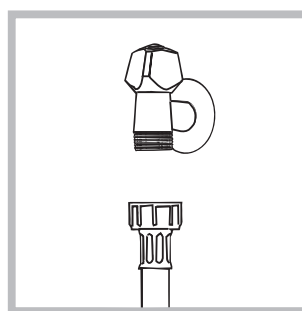


2. Αν το δάπεδο δεν είναι απόλυτα οριζοντιωμένο, αντισταθμίστε τις ανωμαλίες βιδώνοντας ή ξεβιδώνοντας τα πρόσθια ποδαράκια (βλέπε εικόνα). Η γωνία κλίσης, μετρημένη στην επιφάνεια εργασίας, δεν πρέπει να ξεπερνάει τις 2°.

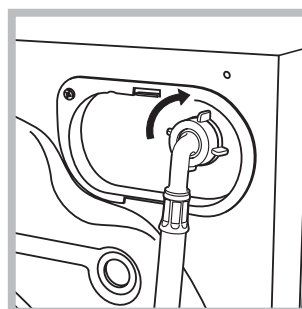
Μια φροντισμένη οριζόντιωση προσδίδει σταθερότητα στη μηχανή και αποσοβεί δονήσεις, θορύβους και μετατοπίσεις κατά τη λειτουργία. Σε περίπτωση μοκέτας ή τάπητα, ρυθμίστε τα ποδαράκια έτσι ώστε να υφίσταται κάτω από το πλυντήριο αρκετός χώρος για τον αερισμό.

Υδραυλικές και ηλεκτρικές συνδέσεις

Σύνδεση του σωλήνα τροφοδοσίας του νερού



1. Συνδέστε το σωλήνα τροφοδοσίας βιδώνοντάς τον σε ένα κρουνό κρύου νερού με στόμιο σπειρώματος 3/4 gas (βλέπε εικόνα). Πριν τη σύνδεση, αφήστε να τρέξει το νερό μέχρι να γίνει διαυγές.



2. Συνδέστε το σωλήνα τροφοδοσίας στο πλυντήριο βιδώνοντάς τον στην αντίστοιχη είσοδο νερού, στο πίσω μέρος επάνω δεξιά (βλέπε εικόνα).

3. Προσέξτε ώστε στο σωλήνα να μην υπάρχουν ούτε πτυχώσεις, ούτε στενώσεις.

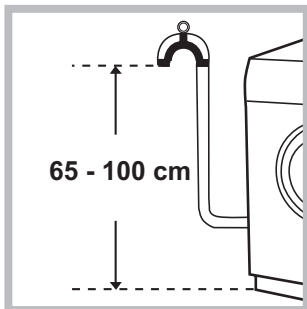
! Η πίεση νερού του κρουνού πρέπει να κυμαίνεται μεταξύ των τιμών του πίνακα Τεχνικά στοιχεία (βλέπε σελίδα δίπλα).

! Αν το μήκος του σωλήνα τροφοδοσίας δεν επαρκεί, απευθυνθείτε σε ένα ειδικευμένο κατάστημα ή σε ένα εξουσιοδοτημένο τεχνικό.

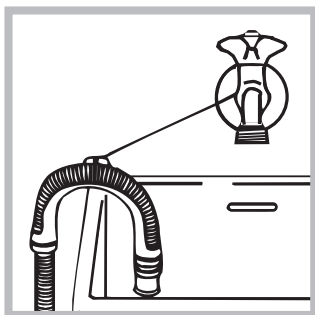
! Μη χρησιμοποιείτε ποτέ χρησιμοποιημένους σωλήνες.

! Χρησιμοποιείτε εκείνους που σας παρέχονται με τη μηχανή.

Σύνδεση του σωλήνα αδειάσματος



Σ υ ν δ έ σ τ ε αδειάσματος, χωρίς να τον διπλώσετε, σε έναν αγωγό εκκένωσης ή σε μια επιτοίχια αποχέτευση σε απόσταση από 65 έως 100 cm από το έδαφος.



Διαφορετικά αποθέστε τον στο χείλος ενός νιπτήρα ή μιας λεκάνης, δένοντας τον οδηγό που σας παρέχεται στον κρουνό (βλέπε εικόνα). Το ελεύθερο άκρο του σωλήνα αδειάσματος δεν πρέπει να παραμένει βυθισμένο στο νερό.

! Δεν συνιστάται η χρήση προεκτάσεων σωληνών. Αν απαιτείται, η προέκταση πρέπει να έχει την ίδια διάμετρο του αρχικού σωλήνα και να μην ξεπερνάει τα 150 cm.

Ηλεκτρική σύνδεση

Πριν εισάγετε το βύσμα στην ηλεκτρική πρίζα, βεβαιωθείτε ότι:

- η πρίζα διαθέτει γείωση και τηρεί τις εκ του νόμου προδιαγραφές.
- Η πρίζα να είναι σε θέση να υποφέρει το μέγιστο φορτίο ισχύος της μηχανής, που αναφέρεται στον πίνακα Τεχνικών στοιχείων (βλέπε δίπλα).
- Η τάση τροφοδοσίας να κυμαίνεται μεταξύ των τιμών που αναφέρονται στον πίνακα Τεχνικών στοιχείων (βλέπε δίπλα).
- Η πρίζα να είναι συμβατή με το βύσμα του πλυντηρίου. Σε αντίθετη περίπτωση, αντικαταστήστε την πρίζα ή το βύσμα.

! Το πλυντήριο δεν εγκαθίσταται σε ανοιχτό χώρο, ακόμη και αν ο χώρος είναι καλυμμένος, διότι είναι πολύ επικίνδυνο να το αφήνετε εκτεθειμένο σε βροχή και κακοκαιρία.

! Με την εγκατάσταση του πλυντηρίου, η πρίζα ρεύματος πρέπει να είναι εύκολα προσβάσιμη.

! Μη χρησιμοποιείτε προεκτάσεις και πολύπριζα.



! Το καλώδιο δεν πρέπει να φέρει πτυχές ή να είναι συμπιεσμένο.

! Το καλώδιο τροφοδοσίας πρέπει να αντικαθίσταται μόνο από εξουσιοδοτημένους τεχνικούς.

Προσοχή! Η επιχείρηση αποποιείται κάθε ευθύνης σε περίπτωση που δεν τηρούνται αυτοί οι κανόνες.

Πρώτος κύκλος πλυσίματος

Μετά την εγκατάσταση, πριν τη χρήση, διενεργήστε ένα κύκλο πλυσίματος με απορρυπαντικό και χωρίς ρούχα θέτοντας το πρόγραμμα 2.

Τεχνικά στοιχεία	
Μοντέλο	IWDC 71680
Διαστάσεις	πλάτος cm 59,5 ύψος cm 85 βάθος cm 53,5
Χωρητικότητα	από 1 έως 7 kg για το πλύσιμο και από 1 έως 5 kg για το στέγνωμα
Ηλεκτρικές συνδέσεις	Βλέπε την πινακίδα χαρακτηριστικών επί της μηχανής
Συνδέσεις νερού	μέγιστη πίεση 1 MPa (10 bar) ελάχιστη πίεση 0,05 MPa (0,5 bar) χωρητικότητα του κάδου 52 λίτρα
Ταχύτητα στυψίματος	μέχρι 1600 στροφές το λεπτό
Προγράμματα ελέγχου σύμφωνα με τον κανονισμό EN 50229	πλύσιμο: πρόγραμμα 2; θερμοκρασία 60°C; εκτελούμενο με 7 kg μπουγάδας. στέγνωμα: το στέγνωμα του μικρότερου φορτίου θα πρέπει να διενεργείται επιλέγοντας το επίπεδο στεγνώματος "Δ", το φορτίο της μπουγάδας θα πρέπει να αποτελείται από 2 σεντόνια, 1 μαξιλαροθήκες και 1 πετσέτες; Το στέγνωμα του υπόλοιπου φορτίου θα πρέπει να διενεργείται επιλέγοντας το επίπεδο στεγνώματος "Π".
 	Η συσκευή αυτή είναι σύμφωνη με τις ακόλουθες Κοινοτικές Οδηγίες: - 2004/108/CE (Ηλεκτρομαγνητική Συμβατότητα) - 2002/96/CE - 2006/95/CE (Χαμηλή Τάση)
θόρυβος (dB(A) re 1 pW)	Πλύσιμο: 58 Στύψιμο: 80

Συντήρηση και φροντίδα

GR

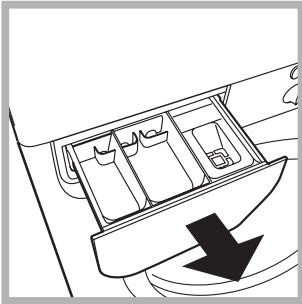
Αποκλεισμός νερού και ηλεκτρικού ρεύματος

- Κλείνετε τον κρουνό του νερού μετά από κάθε πλύσιμο. Έτσι περιορίζεται η φθορά της υδραυλικής εγκατάστασης του πλυντηρίου και αποσοβείται ο κίνδυνος απωλειών.
- Να βγάζετε το βύσμα από το ρεύμα όταν καθαρίζετε το μηχάνημα και κατά τις εργασίες συντήρησης.

Καθαρισμός του πλυντηρίου

Το εξωτερικό μέρος και τα λαστιχένια μέρη μπορούν να καθαρίζονται με ένα πανί βρεγμένο με χλιαρό νερό και σαπούνι. Μη χρησιμοποιείτε διαλύτες ή αποξυστικά.

Καθαρισμός του συρταριού απορρυπαντικών



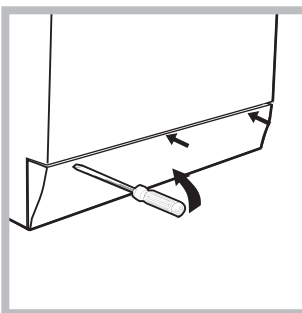
Τραβήξτε το συρτάρι ανασηκώνοντάς το και τραβώντας το προς τα έξω (βλέπε εικόνα). Πλένετέ το κάτω από τρεχούμενο νερό. Ο καθαρισμός αυτός διενεργείται συχνά.

Φροντίδα της πόρτας και του κάδου

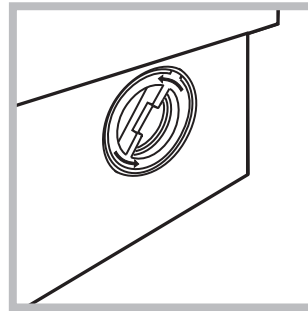
- Να αφήνετε πάντα μισόκλειστη την πόρτα για να μην παράγονται δυσοσμίες.

Καθαρισμός της αντλίας

Το πλυντήριο διαθέτει μια αντλία αυτοκαθαριζόμενη που δεν χρειάζεται συντήρηση. Μπορεί, όμως, να τύχει να πέσουν μικρά αντικείμενα (κέρματα, κουμπιά) στον προθάλαμο που προστατεύει την αντλία, που βρίσκεται στο κάτω μέρος αυτής. **!** Βεβαιωθείτε ότι ο κύκλος πλυσίματος έχει τελειώσει και βγάλτε το βύσμα.



Για να έχετε πρόσβαση στον προθάλαμο:
1. αφαιρέστε το ταμπλό κάλυψης στο πρόσθιο πλευρό του πλυντηρίου με τη βοήθεια ενός κατσαβιδιού (βλέπε εικόνα).



2. Ξεβιδώστε το καπάκι στρέφοντάς το αριστερόστροφα (βλέπε εικόνα): είναι φυσικό να βγαίνει λίγο νερό.

3. καθαρίστε επιμελώς το εσωτερικό.
4. ξαναβιδώστε το καπάκι.
5. ξαναμοντάρτε το πάνελ όντας σίγουροι, πριν το σπρώξετε προς τη μηχανή, ότι έχετε εισάγει τα γαντζάκια στις αντίστοιχες εσοχές.

Έλεγχος του σωλήνα τροφοδοσίας του νερού

Ελέγχετε το σωλήνα τροφοδοσίας τουλάχιστον μια φορά ετησίως. Αν παρουσιάζει σκασίματα και σχισμές αντικαθίσταται: κατά τα πλυσίματα οι ισχυρές πιέσεις θα μπορούσαν να προκαλέσουν αναπάντεχα σπασίματα.

! Μη χρησιμοποιείτε ποτέ χρησιμοποιημένους σωλήνες.

! Το πλυντήριο σχεδιάστηκε και κατασκευάστηκε σύμφωνα με τους διεθνείς κανόνες ασφαλείας. Αυτές οι προειδοποιήσεις παρέχονται για λόγους ασφαλείας και πρέπει να διαβάζονται προσεκτικά.

Γενική ασφάλεια

- Η συσκευή αυτή σχεδιάστηκε αποκλειστικά για οικιακή χρήση.
- Η συσκευή δεν πρέπει να χρησιμοποιείται από άτομα (συμπεριλαμβανομένων των παιδιών) με φυσικές, αισθητηριακές ή νοητικές ικανότητες και με εμπειρίες και γνώσεις ανεπαρκείς, εκτός κι αν η χρήση αυτή γίνεται υπό την επίβλεψη ή τις οδηγίες ενός ατόμου υπεύθυνου για την ασφάλειά τους. Τα παιδιά πρέπει να επιτηρούνται για να εξασφαλιστεί ότι δεν θα παίξουν με τη συσκευή.
 - Μη στεγνώνετε ρούχα μη πλυμένα.
 - Τα ρούχα λερωμένα με ουσίες όπως λάδι μαγειρέματος, ακετόνη, οινόπνευμα, βενζίνη, κηροζίνη, ξελεκιαστικά, τρεμεντίνη, κεριά και οι ουσίες για την απομάκρυνσή του πρέπει να πλένονται σε ζεστό νερό με μεγαλύτερη ποσότητα απορρυπαντικού πριν τα στεγνώσετε στο στεγνωτήριο.
 - Αντικείμενα όπως το διογκωμένο ελαστικό (αφρώδες ελαστικό), τα σκουφάκια μπάνιου, τα αδιάβροχα υφασμάτινα υλικά, τα είδη με ένα μέρος από ελαστικό και τα ενδύματα ή τα μαξιλάρια που έχουν μέρη από αφρώδες ελαστικό δεν πρέπει να στεγνώνονται στο στεγνωτήριο.
 - Μαλακτικά ή προϊόντα παρόμοια πρέπει να χρησιμοποιούνται σύμφωνα με τις οδηγίες του παραγωγού.
 - Το τελικό μέρος ενός κύκλου στεγνώματος γίνεται χωρίς θερμότητα (κύκλος ψύξης) για να εξασφαλιστεί ότι τα είδη δεν θα υποστούν ζημιά.
- ΠΡΟΣΟΧΗ: Μη σταματάτε ποτέ ένα στεγνωτήριο πριν το τέλος του προγράμματος στεγνώματος. Στην περίπτωση αυτή πάρτε γρήγορα όλα τα ασπρόρουχα και απλώστε τα για να κρυώσουν γρηγορότερα.
- Μην αγγίζετε το μηχάνημα με γυμνά πόδια ή με τα χέρια ή τα πόδια βρεγμένα.
- Μην βγάζετε το βύσμα από την ηλεκτρική πρίζα τραβώντας το καλώδιο, αλλά να πιάνετε την πρίζα.
- Μην ανοίγετε το συρτάκι απορρυπαντικών ενώ το μηχάνημα είναι σε λειτουργία.
- Μην αγγίζετε το νερό αδειάσματος, αφού μπορεί να φτάσει σε υψηλές θερμοκρασίες.
- Μην ζορίζετε σε καμία περίπτωση την πόρτα: θα μπορούσε να χαλάσει ο μηχανισμός ασφαλείας που προστατεύει από τυχαία ανοίγματα.
- Σε περίπτωση βλάβης, σε καμία περίπτωση να μην επεμβαίνετε στους εσωτερικούς μηχανισμούς προσπαθώντας να την επισκευάσετε.
- Να ελέγχετε πάντα τα παιδιά να μην πλησιάζουν στο μηχάνημα σε λειτουργία.
- Κατά το πλύσιμο η πόρτα τείνει να θερμαίνεται.
- Αν πρέπει να μετατοπιστεί, συνεργαστείτε δύο ή τρία άτομα με τη μέγιστη προσοχή. Ποτέ μόνοι σας γιατί το μηχάνημα είναι πολύ βαρύ.
- Πριν εισάγετε τη μπουγάδα ελέγξτε αν ο κάδος είναι άδειος.

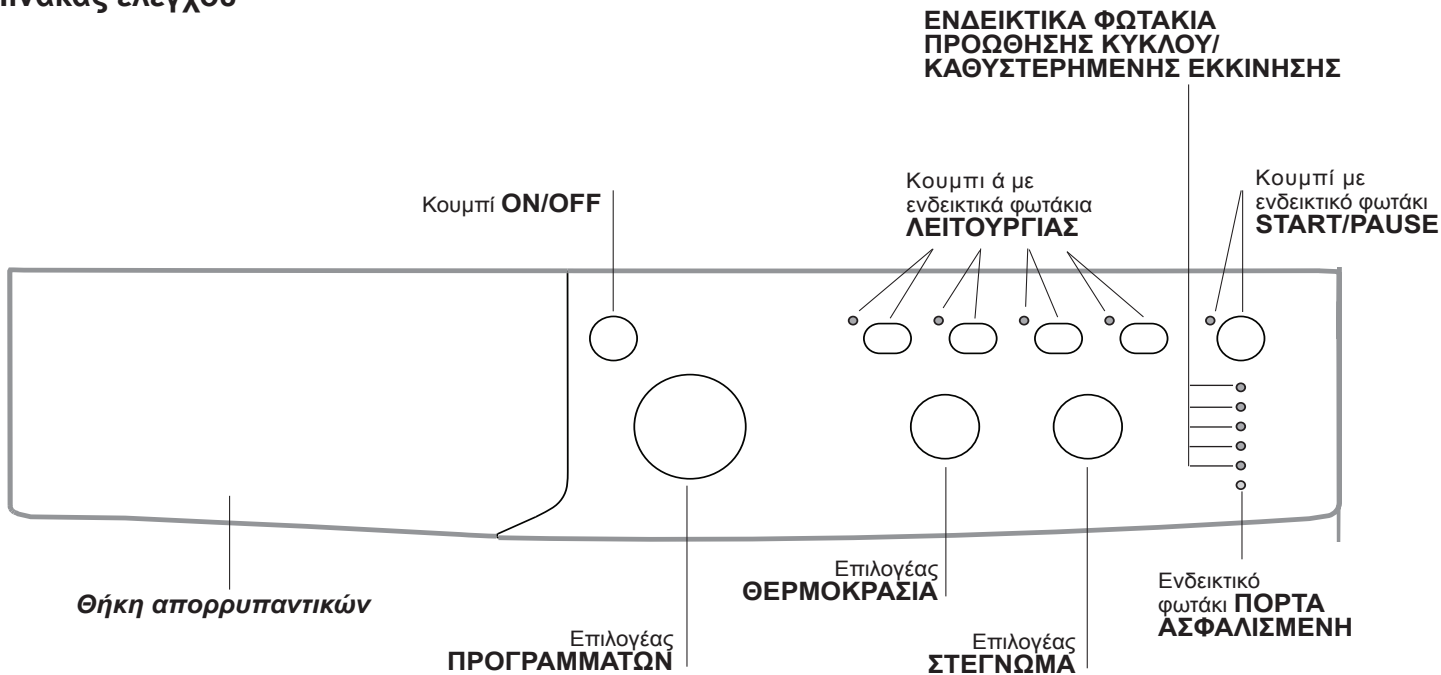
- Η πόρτα κατά το στέγνωμα τείνει να θερμαίνεται.
- Μη στεγνώνεις ρούχα πλυμένα με εύφλεκτους διαλύτες (π.χ. τριελίνη).
- Μη στεγνώνεις αφρώδη συνθετικά ή ανάλογα ελαστομερή.
- Βεβαιώσου ότι κατά τις φάσεις του στεγνώματος ο κρουσμός του νερού είναι ανοιχτός.

Διάθεση

- Διάθεση του υλικού συσκευασίας: τηρείτε τους τοπικούς κανονισμούς, ώστε οι συσκευασίες να μπορούν να επαναχρησιμοποιηθούν.
- Η ευρωπαϊκή οδηγία 2002/96/EK για τα Απόβλητα Ηλεκτρικού και Ηλεκτρονικού Εξοπλισμού, απαιτεί ότι οι παλαιές οικιακές ηλεκτρικές συσκευές δεν πρέπει να αποβάλλονται μαζί με τα υπόλοιπα απόβλητα του δημοτικού δικτύου. Οι παλαιές συσκευές πρέπει να συλλεχθούν χωριστά προκειμένου να βελτιστοποιηθούν η αποκατάσταση και η ανακύκλωση των υλικών που περιέχουν και με σκοπό τη μείωση των βλαβερών επιπτώσεων στην ανθρώπινη υγεία και το περιβάλλον. Το σύμβολο με το διεγγραμμένο “δοχείο αποβλήτων” στο προϊόν υπενθυμίζει σε σας την υποχρέωσή σας, πως όταν επιθυμείτε να πετάξετε τη συσκευή, πρέπει να συλλεχθεί χωριστά. Οι καταναλωτές θα πρέπει να απευθύνονται στις τοπικές αρχές ή στα καταστήματα λιανικής για πληροφορίες που αφορούν τη σωστή διάθεση των παλαιών ηλεκτρικών συσκευών.

Περιγραφή του πλυντηρίου και εκκίνηση ενός προγράμματος

Πίνακας ελέγχου



Θήκη απορρυπαντικών: για την προσθήκη απορρυπαντικών και πρόσθετων (βλέπε «Απορρυπαντικά και μπουγάδα»).

Κουμπι ON/OFF: Για να ανάψετε ή να σβήσετε το πλυντήριο.

Επιλογέας ΠΡΟΓΡΑΜΜΑΤΩΝ: για να θέσετε τα προγράμματα. Κατά τη διάρκεια του προγράμματος ο επιλογέας παραμένει ακίνητος.

Κουμπι ά με ενδεικτικά φωτάκια ΛΕΙΤΟΥΡΓΙΑΣ: για να επιλέξετε τις διαθέσιμες λειτουργίες. Το σχετικό με την επιλεγείσα λειτουργία ενδεικτικό φωτάκι θα παραμείνει αναμμένο.

Επιλογέας ΣΤΕΓΝΩΜΑ: για τη ρύθμιση του επιθυμητού στεγνώματος (βλέπε «Εξατομικεύσεις»).


Επιλογέας ΘΕΡΜΟΚΡΑΣΙΑ: για να θέσετε τη θερμοκρασία ή το πλύσιμο σε κρύο νερό (βλέπε «Εξατομικεύσεις»).

ΕΝΔΕΙΚΤΙΚΑ ΦΩΤΑΚΙΑ ΠΡΟΩΘΗΣΗΣ ΚΥΚΛΟΥ/ ΚΑΘΥΣΤΕΡΗΜΕΝΗΣ ΕΚΚΙΝΗΣΗΣ: για να ακολουθείτε την κατάσταση προόδου του προγράμματος πλυσίματος. Το αναμμένο ενδεικτικό φωτάκι δείχνει την σε εξέλιξη φάση.

Αν τέθηκε η λειτουργία “Καθυστερημένη εκκίνηση”, θα δείχνουν τον χρόνο που υπολείπεται για την έναρξη του προγράμματος (βλέπε σελίδα δίπλα).

Ενδεικτικό φωτάκι ΠΟΡΤΑ ΑΣΦΑΛΙΣΜΕΝΗ: για να καταλάβετε αν η πόρτα ανοίγει (βλέπε σελίδα δίπλα).

Κουμπι με ενδεικτικό φωτάκι START/PAUSE: για την εκκίνηση των προγραμμάτων ή την προσωρινή διακοπή τους.

ΣΗΜΕΙΩΣΗ: για να θέσετε σε παύση το σε εξέλιξη πλύσιμο, πιέστε το κουμπι αυτό, το σχετικό ενδεικτικό φωτάκι θα ανάψει με πορτοκαλί χρώμα ενώ εκείνο της σε εξέλιξης φάσης θα είναι συνεχώς αναμμένο. Αν το ενδεικτικό φωτάκι ΠΟΡΤΑ ΑΣΦΑΛΙΣΜΕΝΗ  σβήσει, μπορείτε να ανοίξετε την πόρτα. Για να ξεκινήσει πάλι το πλύσιμο από το σημείο διακοπής, πατήστε εκ νέου το κουμπι αυτό.

Τρόπος stand by

Το πλυντήριο αυτό, σύμφωνα με τις νέες διατάξεις για την εξοικονόμηση ενέργειας, διαθέτει ένα σύστημα αυτόματου σβησίματος (stand by) που τίθεται σε λειτουργία εντός 30 λεπτών στην περίπτωση μη χρήσης. Πιέστε στιγμιαία το κουμπι ON/OFF και περιμένετε να ενεργοποιηθεί εκ νέου η μηχανή.

Κατανάλωση σε off-mode: 0,5 W

Κατανάλωση σε Left-on: 0,5 W

Ενδεικτικά φωτάκια

Τα ενδεικτικά φωτάκια παρέχουν σημαντικές πληροφορίες.
Να τι μας λένε:

Καθυστερημένη εκκίνηση

Αν ενεργοποιήθηκε η λειτουργία “Καθυστερημένη εκκίνηση” (βλέπε “Εξατομικεύσεις”), αφού εκκινήσετε το πρόγραμμα, θα αρχίσει να αναβοσβήνει το ενδεικτικό φωτάκι το σχετικό με την επιλεγμένη καθυστέρηση:








Με το πέρασμα του χρόνου θα απεικονίζεται η υπολειπόμενη καθυστέρηση, με το σχετικό ενδεικτικό φωτάκι να αναβοσβήνει.



Αφού ολοκληρωθεί η προεπιλεγμένη χρονοκαθυστέρηση θα αρχίσει το επιλεγμένο πρόγραμμα.

Ενδεικτικά φωτάκι φάσης σε εξέλιξη

Κατά τον επιθυμητό κύκλο πλυσίματος, τα ενδεικτικά φωτάκια θα ανάψουν προοδευτικά για να δείξουν την κατάσταση προώθησης:

Πλύσιμο	
Ξέβγαλμα	
Στύψιμο/Αδειασμα	
Στέγνωμα	
Τέλος Πλυσίματος	

Σημείωση: στο τέλος του κύκλου στεγνώματος θα πρέπει να επαναφέρετε τον επιλογέα ΣΤΕΓΝΩΜΑ στη θέση “0”.

Κουμπιά λειτουργίας και σχετικά ενδεικτικά φωτάκια

Επιλέγοντας μια λειτουργία το σχετικό ενδεικτικό φωτάκι θα φωτιστεί.

Αν η επιλεγμένη λειτουργία δεν είναι συμβατή με το τεθέν πρόγραμμα το σχετικό ενδεικτικό φωτάκι θα αναβοσβήνει και η λειτουργία δεν θα ενεργοποιηθεί.


Αν η επιλεγμένη λειτουργία δεν είναι συμβατή με μια άλλη που επελέγη προηγουμένως, το σχετικό φωτάκι της πρώτης επιλεγμένης λειτουργίας θα αναβοσβήνει και θα ενεργοποιηθεί μόνο η δεύτερη, το ενδεικτικό φωτάκι της ενεργοποιηθείσας λειτουργίας θα φωτιστεί.

Ενδεικτικό φωτάκι ασφαλισμένης πόρτας

Το αναμμένο ενδεικτικό φωτάκι δείχνει ότι η πόρτα είναι μπλοκαρισμένη για να αποφευχθεί το άνοιγμα. Για να ανοίξετε την πόρτα πρέπει το ενδεικτικό φωτάκι να είναι σβηστό (περιμένετε 3 λεπτά περίπου). Για να ανοίξετε την πόρτα ενώ είναι σε εξέλιξη ένας κύκλος πιάστε το κουμπί START/PAUSE. Αν το ενδεικτικό φωτάκι ΠΟΡΤΑ ΑΣΦΑΛΙΣΜΕΝΗ είναι σβηστό μπορείτε να ανοίξετε την πόρτα.

! Όταν οι ενδεικτικές λυχνίες των “φάσεων πλυσίματος” και του ΠΟΡΤΑ ΑΣΦΑΛΙΣΜΕΝΗ αναβοσβήνουν γρήγορα, επισημαίνουν κάποιο πρόβλημα (βλέπε “Ανωμαλίες και λύσεις”).




Εκκίνηση ενός προγράμματος

1. Ανάψτε το πλυντήριο πιέζοντας το κουμπί ON/OFF. Όλα τα ενδεικτικά φωτάκια θα ανάψουν μερικά δευτερόλεπτα, μετά θα σβήσουν και θα πάλλεται το ενδεικτικό φωτάκι START/PAUSE.
2. Φορτώστε τη μπουγάδα και κλείστε την πόρτα.
3. Θέστε με τον επιλογέα ΠΡΟΓΡΑΜΜΑΤΩΝ το επιθυμητό πρόγραμμα.
4. Θέστε τη θερμοκρασία πλυσίματος (βλέπε «Εξατομικεύσεις»).
5. Θέστε το στέγνωμα αν χρειαστεί (βλέπε «Εξατομικεύσεις»).
6. Χύστε απορρυπαντικό και πρόσθετα (βλέπε «Απορρυπαντικά και μπουγάδα»).
7. Επιλέξτε τις διαθέσιμες λειτουργίες.
8. Εκκινήστε το πρόγραμμα πιέζοντας το κουμπί START/PAUSE και το σχετικό ενδεικτικό φωτάκι θα παραμείνει αναμμένο συνεχώς με πράσινο χρώμα. Για να ακυρώσετε τον τεθέντα κύκλο θέστε τη μηχανή σε παύση πιέζοντας το κουμπί ΕΚΚΙΝΗΣΗΣ/ΠΑΥΣΗΣ και επιλέξτε ένα νέο κύκλο.
9. Στο τέλος του προγράμματος θα φωτιστεί το ενδεικτικό φωτάκι END. Όταν η ενδεικτική λυχνία ΠΟΡΤΑ ΑΣΦΑΛΙΣΜΕΝΗ  σβήσει μπορείτε να ανοίξετε την πόρτα. Βγάλτε τη μπουγάδα και αφήστε την πόρτα μισόκλειστη για να στεγνώσει ο κάδος. Σβήστε το πλυντήριο πιέζοντας το κουμπί ON/OFF.

Προγράμματα

GR

Πίνακας των Προγραμμάτων

Προγράμματα	Περιγραφή του Προγράμματος	Μέγιστη θερμοκρ. (°C)	Μέγιστη ταχύτητα (στροφές ανά λεπτό)	Στέγνωμα	Απορρυπαντικά			Μέγιστο Φορτίο. (Kg)	Διάρκεια κύκλου
					Προπ-λυση	Πλύσι-μο	Μαλα-κτικό		
Προγράμματα για όλες τις μέρες									
1	ΒΑΜΒΑΚΕΡΆ ΠΡΟΠΛΥΣΗ: Λευκά εξαιρετικά λερωμένα.	90°	1600	●	●	●	●	7	170'
2	ΒΑΜΒΑΚΕΡΆ: Λευκά εξαιρετικά λερωμένα.	90°	1600	●	-	●	●	7	155'
2	ΒΑΜΒΑΚΕΡΆ (1): Λευκά και χρωματιστά ανθεκτικά, πολύ λερωμένα.	60°	1600	●	-	●	●	7	155'
2	ΒΑΜΒΑΚΕΡΆ (2): Λευκά και χρωματιστά ευαίσθητα, πολύ λερωμένα.	40°	1600	●	-	●	●	7	145'
3	ΒΑΜΒΑΚΕΡΆ: Λευκά και χρωματιστά ανθεκτικά, πολύ λερωμέν	60°	1600	●	-	●	●	7	130'
4	ΒΑΜΒΑΚΕΡΆ ΧΡΩΜΑΤΙΣΤΆ: Λευκά λίγο λερωμένα και ευαίσθητα χρώματα.	40°	1600	●	-	●	●	7	90'
5	ΣΥΝΘΕΤΙΚΑ: Χρωματιστά ανθεκτικά, πολύ λερωμένα.	60°	800	●	-	●	●	3	85'
Ειδικά Προγράμματα									
6	ΜΆΛΛΙΝΑ: Για μάλλινα, cachemire, κλπ.	40°	800	-	-	●	●	1,5	55'
7	ΜΕΤΑΞΩΤΆ/ ΚΟΥΡΤΪΝΕΣ: Για μεταξωτά ρούχα, βισκόζη, λινά.	30°	0	-	-	●	●	1	55'
8	JEANS	40°	800	●	-	●	●	3	80'
9	Sport Light	30°	600	-	-	●	●	3	70'
10	Sport Shoes	30°	600	-	-	●	●	(MAX. 2 ζεύγη.)	50'
Προγράμματα Στέγνωμα									
11	Στέγνωμα «Βαμβακερά»	-	-	●	-	-	-	5	-
12	Στέγνωμα «Συνθετικά»	-	-	●	-	-	-	3	-
13	Express Wash & Dry	30°	1600	●	-	●	●	0,5	35'
Επί μέρους προγράμματα									
	ΞΕΒΓΆΛΜΑ	-	1600	●	-	-	●	7	36'
	ΣΤΥΨΙΜΟ	-	1600	●	-	-	-	7	16'
	ΑΜΟΧΕΤΕΥΣΗ ΝΕΡΟΥ	-	0	-	-	-	-	7	2'

Η διάρκεια του κύκλου που φαίνεται στην οθόνη ή στο εγχειρίδιο αποτελεί μια εκτίμηση υπολογισμένη με βάση τις σπάντες συνθήκες. Ο πραγματικός χρόνος μπορεί να ποικίλει με βάση πολυάριθμους παράγοντες όπως θερμοκρασία και πίεση του εισερχόμενου νερού, θερμοκρασία περιβάλλοντος, ποσότητα απορρυπαντικού, ποσότητα και τύπος φορτίου, ισοστάθμιση του φορτίου, πρόσθετες επιλεγμένες δυνατότητες.

Για όλα τα Test Institutes:

- 1) Πρόγραμμα ελέγχου σύμφωνα με την προδιαγραφή EN 50229: θέστε το πρόγραμμα 2 σε μια θερμοκρασία 60°C.
- 2) Πρόγραμμα βαμβακερών μακρύ: θέστε το πρόγραμμα 2 σε μια θερμοκρασία 40°C.

Ειδικά προγράμματα

Sport Light (πρόγραμμα 9) σχεδιάστηκε για το πλύσιμο υφασμάτων αθλητικής ένδυσης (φόρμες, παντελονάκια, κλπ.) λίγο λερωμένα. Για να πετύχετε τα καλύτερα αποτελέσματα συστήνεται να μην ξεπερνάτε το μέγιστο φορτίο του "Πίνακα των προγραμμάτων". Συστήνεται η χρήση υγρού απορρυπαντικού, χρησιμοποιείτε μια δόση κατάλληλη για μισό φορτίο.

Sport Shoes (πρόγραμμα 10) σχεδιάστηκε για το πλύσιμο αθλητικών υποδημάτων. Για να πετύχετε τα καλύτερα αποτελέσματα μην πλένετε περισσότερα από 2 ζευγάρια.

Express Wash & Dry (πρόγραμμα 13) μελετήθηκε για πλύσιμο και στέγνωμα ρούχων ελαφρά λερωμένων σε λίγο χρόνο. Επιλέγοντας τον κύκλο αυτόν μπορείτε να πλύνετε και να στεγνώσετε μέχρι 0,5 kg μπουγάδας σε μόνο 35 λεπτά. Για να πετύχετε τα βέλτιστα αποτελέσματα χρησιμοποιείτε υγρό απορρυπαντικό. Προπλύνετε μανικέτια, λαιμούς και λεκέδες.

Θέστε τη θερμοκρασία

Στρέφοντας τον επιλογέα ΘΕΡΜΟΚΡΑΣΙΑ τίθεται η θερμοκρασία πλυσίματος (βλέπε *Πίνακα προγραμμάτων*). Η θερμοκρασία μπορεί να μειωθεί μέχρι το πλύσιμο σε κρύο νερό ❄️. Το μηχάνημα θα παρεμποδίσει αυτόματα τη θέση θερμοκρασίας μεγαλύτερης της μέγιστης προβλεπόμενης για κάθε πρόγραμμα.

Θέστε το στέγνωμα

Στρέφοντας τον επιλογέα ΣΤΕΓΝΩΜΑ τίθεται ο επιθυμητός τύπος στεγνώματος. Προβλέπονται δύο δυνατότητες:

A - Με βάση το χρόνο: Από **40** έως **180** λεπτά.

B - Με βάση το βαθμό υγρασίας των στεγνωμένων ρούχων:

Σιδέρωμα : ενδείκνυται για ρούχα που πρέπει μετά να σιδερωθούν. Το επίπεδο υπολειπόμενης υγρασίας μαλακώνει τις πτυχές και διευκολύνει την εξαφάνισή τους.

Κρεμάστρα : ιδανικό για τα ρούχα εκείνα που δεν απαιτούν πλήρες στέγνωμα.

Ντουλάπα : κατάλληλο για την μπουγάδα που θα βάλετε στην ντουλάπα χωρίς σιδέρωμα.

Πίνακας χρόνων Στεγνώματος (τιμές ενδεικτικές)

Τύπος υφάσματος	Τύπος μπουγάδας	Max φορτίο (kg)	Ντουλάπα	Κρεμάστρα	Σιδέρωμα
Βαμβακερά	Ασπρόρουχα διαφόρων διαστάσεων, Πετσέτες "πετοετέ"	5	180	170	140
Συνθετικά	Σεντόνια, Πουκάμισα, Πυζάμες, κάλτσες, κλπ.	3	140	120	100

Αν, εξαιρετικά, το φορτίο ρούχων για πλύσιμο και στέγνωμα είναι μεγαλύτερο του προβλεπόμενου (βλέπε *Πίνακας χρόνων Στεγνώματος*), διενεργήστε το πλύσιμο, και με το πέρας του προγράμματος, χωρίστε το φορτίο και ξαναβάλτε ένα μέρος στον κάδο. Στο σημείο αυτό ακολουθήστε τις οδηγίες για να εκτελέσετε «**Μόνο στέγνωμα**». Επανάλαβε τις ίδιες ενέργειες για το υπόλοιπο φορτίο.

Μόνο στέγνωμα

Επιλέξτε με τον επιλογέα των προγραμμάτων ένα στέγνωμα (11-12) με βάση τον τύπο υφάσματος. Μπορείτε να θέσετε και το επίπεδο ή τον επιθυμητό χρόνο στεγνώματος με το κουμπί ΣΤΕΓΝΩΜΑ.

Λειτουργίες

Οι διάφορες λειτουργίες πλυσίματος που προβλέπονται από το πλυντήριο επιτρέπουν την επίτευξη του καθαρισμού και του λευκού που επιθυμείτε. Για την ενεργοποίηση των λειτουργιών:

- πιέστε το πλήκτρο το σχετικό με την επιλεγμένη λειτουργία.
- Το άναμμα του ενδεικτικού φωτός επισημαίνει ότι η λειτουργία είναι ενεργή.

Παρατήρηση: Το γρήγορο αναβοσβήσιμο του ενδεικτικού φωτός δείχνει ότι η σχετική λειτουργία δεν μπορεί να επιλεγεί για το τεθέν πρόγραμμα.

EcoTime

Επιλέγοντας τη δυνατότητα αυτή η μηχανική κίνηση, η θερμοκρασία και το νερό είναι βελτιστοποιημένο για μειωμένο φορτίο βαμβακερών και συνθετικών λίγο λερωμένων (βλέπε *"Πίνακας των Προγραμμάτων"*). Με το "EcoTime" μπορείτε να πλένετε σε μικρούς χρόνους, εξοικονομώντας νερό και ενέργεια. Συστήνεται η χρήση μιας δόσης υγρού απορρυπαντικού κατάλληλης για την ποσότητα του φορτίου.

! Δεν είναι διαθέσιμη στα προγράμματα 1, 2, 6, 7, 8, 9, 10, 11, 12, 13, , , .

Energy Saver

Η λειτουργία συμβάλλει στην εξοικονόμηση ενέργειας μη θερμαίνοντας το νερό που χρησιμοποιείται στο πλύσιμο της μπουγάδας – ένα πλεονέκτημα τόσο για το περιβάλλον όσο και για τον λογαριασμό του ηλεκτρικού. Πράγματι, η ενισχυμένη δράση και η βελτιστοποιημένη κατανάλωση εγγυώνται βέλτητα αποτελέσματα στην ίδια μέση διάρκεια ενός σπάντα κύκλου. Για να πετύχετε τα βέλτητα αποτελέσματα πλυσίματος, συστήνεται η χρήση ενός υγρού απορρυπαντικού.

! Δεν είναι ενεργό στα προγράμματα 1, 6, 7, 9, 10, 11, 12, 13, , , .

© 1600-800

Πιέζοντας το κουμπί αυτό μειώνεται η ταχύτητα στύψιματος.

! Δεν είναι ενεργό στα προγράμματα 7, 11, 12, 13, .

Καθυστερημένη εκκίνηση

Καθυστερεί την εκκίνηση του μηχανήματος μέχρι 9 ώρες.

Πιέστε πολλές φορές το πλήκτρο μέχρι να ανάψει το ενδεικτικό φωτάκι το σχετικό με την επιθυμητή καθυστέρηση. Στην πέμπτη φορά που θα πιέσετε το κουμπί η λειτουργία θα απενεργοποιηθεί.

ΣΗΜΕΙΩΣΗ: Αφού πατηθεί το πλήκτρο START/PAUSE, μπορείτε να αλλάξετε την τιμή καθυστέρησης μόνο μειώνοντάς την μέχρι την εκκίνηση του τεθέντος προγράμματος.

! Είναι ενεργό με όλα τα προγράμματα.

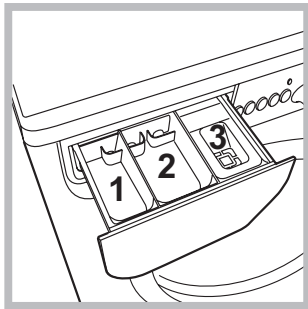
Απορρυπαντικά και μπουγάδα

GR

Θήκη απορρυπαντικών

Το καλό αποτέλεσμα του πλυσίματος εξαρτάται επίσης και από τη σωστή δοσολογία του απορρυπαντικού: υπερβάλλοντας δεν πλένουμε αποτελεσματικότερα και συντελούμε στη δημιουργία κρούστας στα εσωτερικά μέρη του πλυντηρίου και στη μόλυνση του περιβάλλοντος.

! Μη χρησιμοποιείτε απορρυπαντικά για πλύσιμο στο χέρι, διότι παράγουν πολύ αφρό.



Βγάλτε τη θήκη απορρυπαντικών και εισάγετε το απορρυπαντικό ή το πρόσθετο ως εξής.

θήκη 1: Απορρυπαντικό για πρόπλυση (σε σκόνη)

θήκη 2: Απορρυπαντικό για πλύσιμο (σε σκόνη ή υγρό)

Το υγρό απορρυπαντικό χύνεται μόνο πριν την εκκίνηση.

θήκη 3: Πρόσθετα (μαλακτικό, κλπ.)

Το μαλακτικό δεν πρέπει να διαφεύγει από το πλέγμα.


Προετοιμασία της μπουγάδας

- Χωρίστε τη μπουγάδα ανάλογα:
 - με το είδος του υφάσματος/ το σύμβολο της ετικέτας.
 - τα χρώματα: χωρίστε τα χρωματιστά ρούχα από τα λευκά.
- Εκκενώστε τις τσέπες και ελέγξτε τα κουμπιά.
- Μην ξεπερνάτε τις υποδεικνυόμενες τιμές στον “Πίνακας των Προγραμμάτων” σε σχέση με το βάρος της στεγνής μπουγάδας.

Πόσο ζυγίζει η μπουγάδα;

- 1 σεντόνι 400-500 gr.
- 1 μαξιλαροθήκη 150-200 gr.
- 1 τραπεζομάντιλο 400-500 gr.
- 1 μπουρνούζι 900-1.200 gr.
- 1 πετσέτα 150-250 gr.

Ειδικά ρούχα

Μάλλινα: Με το πρόγραμμα **6** μπορείτε να πλένετε στο πλυντήριο όλα τα μάλλινα ρούχα ακόμη και εκείνα με την ετικέτα “μόνο πλύσιμο στο χέρι” . Για καλύτερα αποτελέσματα χρησιμοποιήστε ειδικό απορρυπαντικό και μην ξεπερνάτε το 1,5 kg μπουγάδας.

Μεταξωτά: χρησιμοποιήστε το αντίστοιχο πρόγραμμα **7** για να πλένετε όλα τα μεταξωτά ρούχα. Συνιστάται η χρήση ενός ειδικού απορρυπαντικού για ευαίσθητα ρούχα.

Κουτίνες: διπλώστε τις μέσα σε ένα μαξιλάρι ή σε ένα δικτυωτό σακούλι. Χρησιμοποιήστε το πρόγραμμα **7**.

Jeans: γυρίστε από την ανάποδη τα ρούχα πριν το πλύσιμο και χρησιμοποιήστε υγρό απορρυπαντικό. Χρησιμοποιήστε το πρόγραμμα **8**.

Σύστημα ισοστάθμισης του φορτίου

Πριν από κάθε στύψιμο, για να αποφύγετε δονήσεις υπερβολικές και για να κατανείμμε ομοιόμορφα το φορτίο, ο κάδος διενεργεί περιστροφές σε μια ταχύτητα ελαφρά ανώτερη εκείνης του πλυσίματος. Αν στο τέλος των διαδοχικών προσπαθειών το φορτίο δεν έχει ακόμη εξισορροπηθεί σωστά η μηχανή διενεργεί το στύψιμο σε μια ταχύτητα χαμηλότερη της προβλεπόμενης. Παρούσα υπερβολικής αστάθειας, το πλυντήριο διενεργεί την κατανομή αντί του στυψίματος. Για να ευνοηθεί καλύτερη κατανομή του φορτίου και της σωστής εξισορρόπησης συνιστάται η ανάμιξη ρούχων μεγάλων και μικρών διαστάσεων.

Μπορεί να συμβεί το πλυντήριο να μη λειτουργεί. Πριν τηλεφωνήσετε στην Υποστήριξη (βλέπε “Υποστήριξη”), ελέγξτε αν δεν πρόκειται για πρόβλημα που επιλύεται εύκολα με τη βοήθεια του ακόλουθου καταλόγου.

Ανωμαλίες:

Δυνατά αίτια / Λύση:

Το πλυντήριο δεν ανάβει.

- Το βύσμα δεν έχει εισαχθεί στην ηλεκτρική πρίζα ή τουλάχιστον όχι αρκετά για να κάνει επαφή.
- Στο σπίτι δεν υπάρχει ρεύμα.

Ο κύκλος πλυσίματος δεν ξεκινάει.

- Η πόρτα δεν κλείνει καλά.
- Το κουμπί ON/OFF δεν πατήθηκε.
- Το κουμπί START/PAUSE δεν πατήθηκε.
- Η βρύση του νερού δεν είναι ανοιχτή.
- Τέθηκε μια καθυστέρηση στον χρόνο εκκίνησης (βλέπε «Εξατομικεύσεις»).

Το πλυντήριο δεν φορτώνει νερό (αναβοσβήνει γρήγορα το ενδεικτικό φωτάκι της πρώτης φάσης πλύσης).

- Ο σωλήνας τροφοδοσίας του νερού δεν είναι συνδεδεμένος στον κρουνό.
- Ο σωλήνας είναι διπλωμένος.
- Η βρύση του νερού δεν είναι ανοιχτή.
- Στο σπίτι λείπει το νερό.
- Δεν υπάρχει αρκετή πίεση.
- Το κουμπί START/PAUSE δεν πατήθηκε.

Το πλυντήριο φορτώνει και αδειάζει νερό συνεχώς.

- Ο σωλήνας αδειάσματος δεν έχει εγκατασταθεί μεταξύ 65 και 100 cm από το έδαφος (βλέπε «Εγκατάσταση»).
- Το άκρο του σωλήνα αδειάσματος είναι βυθισμένο στο νερό (βλέπε “Εγκατάσταση”).
- Το επιτοίχιο άδειασμα δεν έχει απαέρωση.

Αν μετά από αυτούς τους ελέγχους το πρόβλημα δεν λύνεται, κλείστε τη βρύση του νερού, σβήστε το πλυντήριο και καλέστε την υποστήριξη. Αν η κατοικία βρίσκεται στους τελευταίους ορόφους ενός κτιρίου, μπορεί να διαπιστωθούν φαινόμενα σιφωνισμού, οπότε το πλυντήριο φορτώνει και αδειάζει νερό συνεχώς. Για την αντιμετώπιση του προβλήματος διατίθενται στο εμπόριο κατάλληλες βαλβίδες αντι-σιφωνισμού.

Το πλυντήριο δεν φορτώνει ή δεν στύβει.

- Το πρόγραμμα δεν προβλέπει το άδειασμα: με ορισμένα προγράμματα πρέπει να το εκκινήσετε χειρονακτικά.
- Είναι ενεργή η λειτουργία “Εύκολο σιδέρωμα”: για την ολοκλήρωση του προγράμματος πιέστε το κουμπί START/PAUSE («Εξατομικεύσεις»).
- Ο σωλήνας αδειάσματος είναι διπλωμένος (βλέπε «Εγκατάσταση»).
- Ο αγωγός εκκένωσης είναι βουλωμένος.

Το πλυντήριο δονείται πολύ κατά το στύψιμο.

- Ο κάδος, τη στιγμή της εγκατάστασης, δεν ξεμπλόκαρε σωστά (βλέπε “Εγκατάσταση”).
- Το πλυντήριο δεν είναι οριζοντιωμένο (βλέπε “Εγκατάσταση”).
- Το πλυντήριο είναι πολύ στενά μεταξύ τοίχου και επίπλων (βλέπε “Εγκατάσταση”).

Το πλυντήριο χάνει νερό.

- Ο σωλήνας τροφοδοσίας του νερού δεν είναι καλά βιδωμένος (βλέπε “Εγκατάσταση”).
- Η θήκη των απορρυπαντικών είναι βουλωμένη (για να την καθαρίσετε βλέπε “Συντήρηση και φροντίδα”).
- Ο σωλήνας αδειάσματος δεν έχει στερεωθεί καλά (βλέπε «Εγκατάσταση»).

Τα ενδεικτικά φωτάκια των “δυνατοτήτων” και το ενδεικτικό φωτάκι “START/PAUSE” αναβοσβήνουν και ένα από τα φωτάκια της “φάσης σε εξέλιξη” και “ΠΟΡΤΑ ΑΣΦΑΛΙΣΜΕΝΗ” ανάβει σταθερά.

- Σβήστε τη μηχανή και βγάλτε το βύσμα από την πρίζα, περιμένετε περίπου 1 λεπτό μετά ξαναάψτε τη.
- Αν η ανωμαλία επιμένει, καλέστε την Υποστήριξη.

Σχηματίζεται πολύς αφρός.

- Το απορρυπαντικό δεν είναι ειδικό για πλυντήριο (πρέπει να υπάρχει η ένδειξη “για πλυντήριο”, “για πλύσιμο στο χέρι και στο πλυντήριο”, ή παρόμοια).
- Η δοσολογία υπήρξε υπερβολική.

Το Πλυντήριο με Στεγνώτήριο δεν στεγνώνει.

- Το βύσμα δεν έχει εισαχθεί στην ηλεκτρική πρίζα, ή τουλάχιστον όχι αρκετά για να κάνει επαφή.
- Στο σπίτι δεν υπάρχει ρεύμα.
- Η πόρτα δεν είναι καλά κλειστή.
- Τέθηκε μια καθυστέρηση στον χρόνο εκκίνησης.
- ο επιλογέας ΣΤΕΓΝΩΜΑ είναι στη θέση 0.

Υποστήριξη

GR

Πριν επικοινωνήσετε με την Υποστήριξη:

- Ελέγξτε αν η ανωμαλία μπορεί να την αντιμετωπίσετε μόνοι σας (βλέπε “Ανωμαλίες και λύσεις”);
- Επανεκκινήστε το πρόγραμμα για να ελέγξετε αν το πρόβλημα αντιμετωπίστηκε;
- Σε αρνητική περίπτωση, επικοινωνήστε με την εξουσιοδοτημένη Τεχνική Υποστήριξη στον τηλεφωνικό αριθμό που υπάρχει στο πιστοποιητικό εγγύησης.

! Μην καταφεύγετε ποτέ σε μη εξουσιοδοτημένους τεχνικούς.

Γνωστοποιήστε:

- το είδος της ανωμαλίας;
- το μοντέλο του μηχανήματος (Mod.);
- τον αριθμό σειράς (S/N).

Οι πληροφορίες αυτές βρίσκονται στην ταμπελίτσα που υπάρχει στο πίσω μέρος του πλυντηρίου και στο πρόσθιο μέρος ανοίγοντας την πόρτα.

SK

Slovensky

IWDC 71680



Tento symbol upozorňuje na to, že je potrebné prečítať si návod na použitie.

SK

Obsah

Inštalácia, 74-75

Rozbalenie a vyrovnanie do vodorovnej polohy
Pripojenie k elektrickej a k vodovodnej sieti
Prvý prací cyklus
Technické údaje

Údržba a starostlivosť, 76

Uzavretie prívodu vody a vypnutie elektrického napájania
Čistenie práčky
Čistenie dávkovača pracích prostriedkov
Starostlivosť o dvierka a bubon
Čistenie čerpadla
Skontrolujte prítokovú hadicu vodu

Opatrenia a rady, 77

Základné bezpečnostné pokyny
Likvidácia

Popis práčky a zahájenie pracieho programu, 78-79

Ovládací panel
Kontrolky
Zahájenie pracieho programu

Pracie programy, 80

Tabuľka pracích programov

Užívateľské nastavenia, 81

Nastavenie teploty
Nastavte druh sušenia
Funkcie

Pracie prostriedky a prádlo, 82

Dávkovač pracích prostriedkov
Príprava prádla
Prádlo vyžadujúce osobitnú starostlivosť
Systém automatického vyváženia náplne

Poruchy a spôsob ich odstránenia, 83

Servisná služba, 84

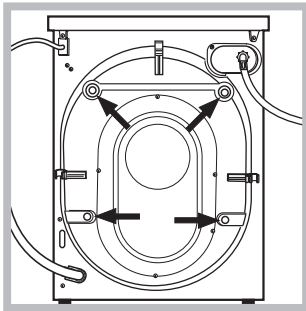
! Je veľmi dôležité uschovať tento návod kvôli prípadnému ďalšiemu použitiu. V prípade predaja, darovania alebo presťahovania práčky sa uistite, že zostane uložený v jej blízkosti, aby mohol poslúžiť novému majiteľovi pri oboznámení sa s činnosťou a s príslušnými upozoreniami.

! Pozorne si prečítajte uvedené pokyny: obsahujú dôležité informácie, týkajúce sa inštalácie, použitia a bezpečnosti pri práci.

Rozbalenie a vyrovnanie do vodorovnej polohy

Rozbalenie

1. Rozbaľte práčku.
2. Skontrolujte, či počas prepravy nedošlo k jej poškodeniu. V prípade, že je poškodená, nezapájajte ju a obráťte sa na predajcu.



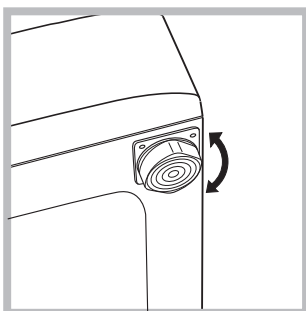
3. Odstráňte 4 skrutky slúžiace na ochranu počas prepravy a gumovú podložku s príslušným dištančným členom, ktoré sa nachádzajú v zadnej časti (vid' obrázok).

4. Uzatvorte otvory po skrutkách plastovými krytkami z príslušenstva.
5. Uschovajte všetky diely: v prípade opätovnej prepravy práčky ich bude potrebné opätovne namontovať.

! Obaly nie sú hračky pre deti!

Vyrovnanie do vodorovnej polohy

1. Práčku je potrebné umiestniť na rovnú a pevnú podlahu tak, aby nebola opretá o stenu, nábytok alebo o niečo iné.

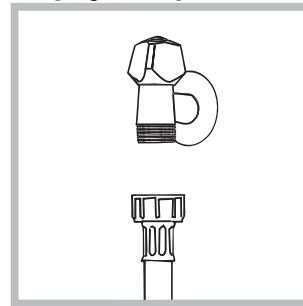


2. V prípade, že podlaha nie je dokonale vodorovná, môžu byť prípadné rozdiely vykompenzované skrútkovaním predných nožičiek (vid' obrázok); Uhol sklonu, nameraný na pracovnej ploche, nesmie presiahnuť 2°.

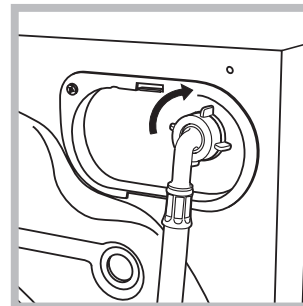
Dokonalé vyrovnanie do vodorovnej polohy zabezpečí stabilitu zariadenia a zamedzí vzniku vibrácií a hluku počas činnosti. V prípade inštalácie na podlahovú krytinu alebo na koberec, nastavte nožičky tak, aby pod práčkou zostal dostatočný voľný priestor na ventiláciu.

Prípojenie k elektrickej a k vodovodnej sieti

Prípojenie prítokovej hadice vody



1. Prípojte prívodnú hadicu jej zaskrutkovaním ku kohútiku so studenou vodou s hrdlom so závitom 3/4" (vid' obrázok). Pred pripojením hadice nechajte vodu odtiecť, až kým nebude číra.



2. Prípojte prítokovú hadicu k práčke, jej zaskrutkovaním k príslušnej prípojke na vodu, umiestnenej vpravo hore (vid' obrázok).

3. Zabezpečte, aby hadica nebola príliš ohnutá alebo stlačená.

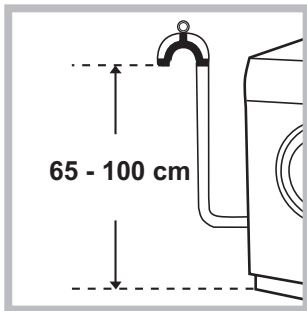
! Tlak v rozvode vody sa musí pohybovať v rozmedzí hodnôt uvedených v tabuľke s technickými údajmi (vid' vedľajšia strana).

! V prípade, že dĺžka prítokovej hadice nebude dostatočná, obráťte sa na špecializovanú predajňu alebo na autorizovaný technický personál.

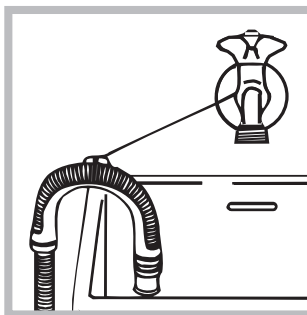
! Nikdy nepoužívajte už použité hadice.

! Používajte hadice z príslušenstva zariadenia.

Pripojenie vypúšťacej hadice



Pripojte vypúšťaciu hadicu, bez toho aby ste ju ohli, k odpadovému potrubiu alebo k odpadu v stene, ktorý sa nachádza od 65 do 100 cm nad zemou;



alebo ju uchýťte k okraju umývadla či vane, a pripievajte vodiaci držiak z príslušenstva ku kohútu (vid' obrázok). Voľný koniec vypúšťacej hadice nesmie zostať ponořený do vody.

! Použitie predlžovacích hadíc sa neodporúča; ak je však nevyhnutné, predlžovacia hadica musí mať rovnaký priemer ako originálna hadica a jej dĺžka nesmie presiahnuť 150 cm.

Pripojenie k elektrickej sieti

Pred zasunutím zástrčky do zásuvky sa uistite, že:

- zásuvka je uzemnená a že vyhovuje normám;
- zásuvka je schopná uniesť maximálnu záťaž odpovedajúcu menovitému príkonu zariadenia, uvedenému v tabuľke s technickými údajmi (vid' vedľa);
- hodnota napájacieho napätia odpovedá údajom uvedeným v tabuľke s technickými údajmi (vid' vedľa);
- zásuvka je kompatibilná so zástrčkou práčky. V opačnom prípade je potrebné vymeniť zásuvku alebo zástrčku.

! Práčka nesmie byť umiestnená vonku – pod holým nebom, a to ani v prípade, keby sa jednalo o miesto chránené pred nepriazňou počasia, pretože je veľmi nebezpečné vystaviť ju dažďu a búrkam.

! Po ukončení inštalácie musí zásuvka zostať ľahko prístupná.

! Nepoužívajte predlžovacie káble a rozvodky.



! Kábel nesmie byť ohnutý alebo pritlačený.

! Výmena kábla musí byť zverená výhradne autorizovanému technickému personálu.

Upozornenie! Výrobca neponesie žiadnu zodpovednosť za následky spôsobené nerešpektovaním týchto pokynov.

Prvý prací cyklus

Po inštalácii zariadenia je potrebné ešte pred jeho použitím vykonať jeden skúšobný cyklus s prácim prostriedkom a bez náplne prádla, nastavením pracieho programu 2.

Technické údaje	
Model	IWDC 71680
Rozmery	šírka 59,5 cm výška 85 cm hĺbka 53,5 cm
Kapacita	od 1 do 7 kg pre pranie od 1 do 5 kg pre sušenie
Elektrické zapojenie	vid' štítok s technickými údajmi, aplikovaný na zariadení
Pripojenie k rozvodu vody	maximálny tlak 1 MPa (10 bar) maximálny tlak 0,05 MPa (0.5 bar) kapacita bubna 52 litrov
Rýchlosť odstreďovania	až do 1600 otáčok za minútu
Kontrolný program podľa normy EN 50229	pranie: program 2; teplota 60°C; náplň 7 kg prádla. Sušenie: menšia náplň sa musí sušiť pri úrovni sušenia A; a táto náplň musí obsahovať 2 plachty, 1 obliečky a 1 uteráky; zvyšná náplň sa musí sušiť pri úrovni sušenia B.
 	Toto zariadenie zodpovedá nasledujúcim normám Európskej Unie: - 2004/108/CE (Elektromagnetická kompatibilita) - 2002/96/CE - 2006/95/CE (Nízke napätie)
Hlučnosť (dB(A) re 1 pW)	Pranie: 58 Odstreďovanie: 80

Údržba a starostlivosť

SK

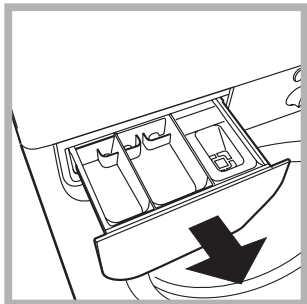
Uzavretie prívodu vody a vypnutie elektrického napájania

- Po každom praní uzatvorte prívod vody. Týmto spôsobom sa znižuje opotrebenie rozvodu vody zariadenia a znižuje sa nebezpečenstvo úniku vody.
- Pred zahájením čistenia práčky a počas údržby je potrebné vytiahnuť zástrčku prívodného kábla zo zásuvky.

Čistenie práčky

Vonkajšie časti a časti z gumy môžu byť čistené utierkou navlhčenou vo vlažnej vode a saponáte. Nepoužívajte rozpúšťadlá alebo abrazívne prostriedky.

Čistenie dávkovača pracích prostriedkov



Vytiahnite dávkovač jeho nadvihnutím a vytiahnutím smerom von (vid' obrázok). Dávkovač umyte pod prúdom vody; toto čistenie je potrebné vykonávať pravidelne.

Starostlivosť o dvierka a bubon

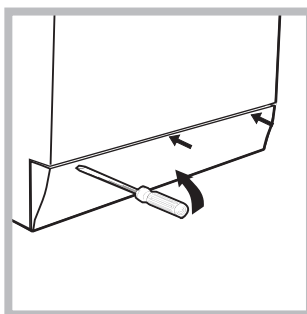
- Dvierka ponechajte zakaždým pootvorené, aby sa zabránilo tvorbe nepríjemných zápachov.

Čistenie čerpadla

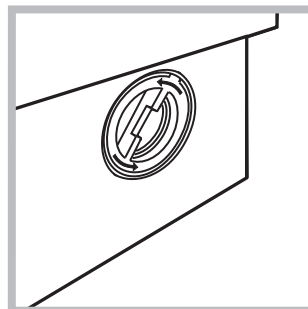
Súčasťou práčky je samočistiace čerpadlo, ktoré nevyžaduje údržbu. Môže sa však stať, že sa v jeho vstupnej ochrannej časti, nachádzajúcej sa na spodku, zachytia drobné predmety (mince, gombíky).

! Uistite sa, že prací cyklus bol ukončený a vytiahnite zástrčku zo zásuvky.

Prístup k vstupnej časti čerpadla:



1. pomocou skrutkovača odstráňte krycí panel, nachádzajúci sa v prednej časti práčky (vid' obrázok);



2. odskrutkujte veko otáčaním proti smeru hodinových ručičiek (vid' obrázok): vytečenie malého množstva vody je úplne bežným javom;

3. dokonale vyčistite vnútro;
4. nasadte naspäť veko;
5. namontujte naspäť krycí panel, pričom sa pred jeho prisunutím k práčke uistite, že došlo k správnej zachyteniu háčikov do príslušných otvorov.

Skontrolujte prítokovú hadicu vodu

Stav prítokovej hadice je potrebné skontrolovať aspoň raz ročne. Ak sú na nej viditeľné praskliny alebo trhliny, je potrebné ju vymeniť: silný tlak v hadici počas pracieho cyklu by mohol spôsobiť jej náhle roztrhnutie.

! Nikdy nepoužívajte už použité hadice.

! Práčka bola navrhnutá a vyrobená v súlade s platnými medzinárodnými bezpečnostnými predpismi. Tieto upozornenia sú uvádzané z bezpečnostných dôvodov a je potrebné si ich pozorne prečítať.

Základné bezpečnostné pokyny

- Toto zariadenie bolo navrhnuté výhradne na použitie ako spotrebič.
- Zariadenie nesmú používať osoby (vrátane detí) so zníženými fyzickými, senzorickými alebo mentálnymi schopnosťami a s nedostatočnými skúsenosťami a znalosťami, s výnimkou prípadu, keď je zariadenie používané pod dozorom alebo na základe pokynov osoby, zodpovednej za ich bezpečnosť. Deti musia byť pod dozorom, aby bolo zabezpečené, že sa so zariadením nehrajú.
 - Nesušte neoprané oblečenie.
 - Prádlo znečistené látkami ako je olej z varenia, acetón, lieh, benzín, kerozín, odstraňovače škvŕn, terpentín, vosk a látky na jeho odstránenie, musí byť pred sušením v sušičke prádla vyprané v teplej vode s väčším množstvom pracieho prostriedku.
 - Predmety ako penová guma (latexová pena), sprchové čiapky, nepremokavé textilné látky, výrobky z jednej strany pogumované a šaty alebo hlavnice, ktoré majú časti z latexovej gumeny, nesmú byť sušené v sušičke prádla.
 - Aviváž alebo podobné prostriedky musia byť používané v súlade s pokynmi výrobcu.
 - V poslednej fáze sušenia už nie je v sušičke prádla zvýšená teplota (chladiaci cyklus), aby sa sušené prádlo nepoškodilo.
- UPOZORNENIE: Nikdy nezastavujte sušičku prádla pred ukončením programu. Ak k tomu dôjde, rýchlo vyberte všetko prádlo zo sušičky a zaveste ho, aby sa rýchlo ochladilo.
- Nedotýkajte sa zariadenia bosí, alebo v prípade, keď máte mokré ruky alebo nohy.
- Nevyťahujte zástrčku zo zásuvky ťahaním za kábel, ale uchopením za zástrčku.
- Neotvárajte dávkovač pracích prostriedkov počas činnosti zariadenia.
- Nedotýkajte sa odčerpávanej vody, pretože môže mať veľmi vysokú teplotu.
- V žiadnom prípade sa nepokúšajte o násilné otvorenie dvierok: mohlo by dôjsť k poškodeniu bezpečnostného uzáveru, ktorý zabraňuje náhodnému otvoreniu.
- Pri výskyte poruchy sa v žiadnom prípade nepokúšajte o opravu vnútorných častí zariadenia.
- Vždy majte pod kontrolou deti a zabráňte tomu, aby sa približovali k zariadeniu počas pracieho cyklu.
- Počas pracieho cyklu majú dvierka tendenciu zohrievať sa.
- Ak je potrebné ju presunúť, je dobré poveriť dve alebo tri osoby a vykonať to s maximálnou pozornosťou. Nikdy sa nepokúšajte zariadenie premiestňovať sami, pretože je veľmi ťažké.

- Pred zahájením vkladania prádla skontrolujte, či je bubon prázdny.
- Dvierka sa počas sušenia zohrievajú.
- V sušičke nesušte prádlo umývané v zápalných rozpúšťadlách (napr. trichlóretylén).
- V sušičke nesušte materiály typu molitan alebo podobné.
- Ubezpeč sa, že počas sušenia bude prívod vody otvorený.

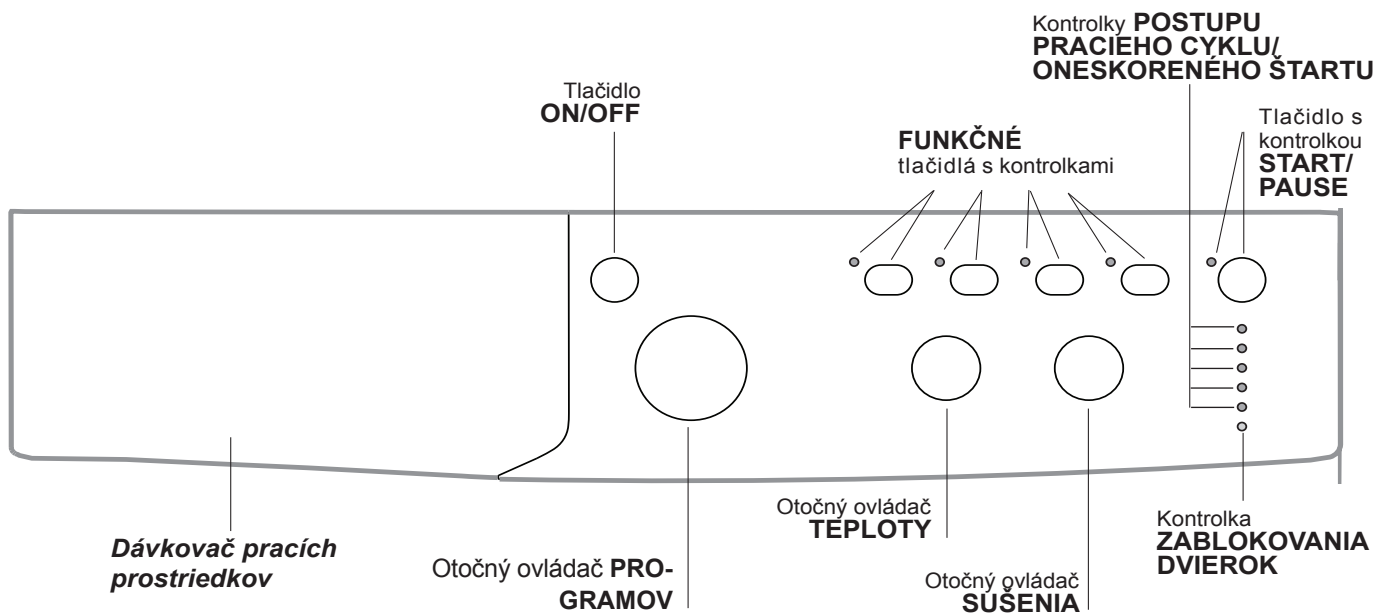
Likvidácia

- Likvidácia obalových materiálov: pri ich odstránení postupujte v súlade s miestnymi predpismi a dbajte na možnú recykláciu.
- Európska smernica 2002/96/EC o odpadových elektrických a elektronických zariadeniach stanovuje, že staré domáce elektrické spotrebiče nesmú byť odkladané do bežného neriešeného domového odpadu. Staré spotrebiče musia byť odovzdané do oddeleného zberu a to za účelom recyklácie a optimálneho využitia materiálov, ktoré obsahujú, z dôvodu prevencie negatívneho dopadu na ľudské zdravie a životné prostredie. Symbol "prečiarknutej popolnice" na výrobku Vás upozorňuje na povinnosť odovzdať zariadenie po skončení jeho životnosti do oddeleného zberu.
Spotrebiteľia majú povinnosť kontaktovať ich lokálny úrad alebo maloobchod kvôli informáciám týkajúcich sa správneho odovzdaniu a likvidácie ich starých spotrebičov.

Popis práčky a zahájenie pracieho programu

SK

Ovládací panel



Dávkovač pracích prostriedkov: slúži na dávkovanie pracích prostriedkov a prídavných prostriedkov (vid' „Pracie prostriedky a prádlo“).

Tlačidlo **ON/OFF:** slúži na zapnutie a vypnutie práčky.

Otočný ovládač **PROGRAMOV:** pre nastavenie pracích programov. Počas pracieho programu zostane v rovnakej polohe.

FUNKČNÉ tlačidlá s kontrolkami: Slúžia na voľbu jednotlivých dostupných funkcií. Kontrolka zvolenej funkcie zostane rozsvietená.

Otočný ovládač **SUŠENIA:** slúži na nastavenie požadovaného druhu sušenia (vid' „Užívateľské nastavenia“).


Otočný ovládač **TEPLoty:** slúži na nastavenie teploty alebo prania alebo prania v studenej vode (vid' „Užívateľské nastavenia“).

Kontrolky **POSTUPU PRACIEHO CYKLU/ONESKORENÉHO ŠTARTU:** slúžia na kontrolu postupu pracieho programu.

Rozsvietená kontrolka poukazuje na prebiehajúcu fázu. Ak je nastavená funkcia „Oneskoreného štartu“, budú zobrazovať čas zostávajúci do zahájenia programu (vid' vedľajšia strana).

Kontrolka **ZABLOKOVANIA DVIEROK:** informuje o tom, či je možné otvoriť dverka (vid' vedľajšia strana).

Tlačidlo s kontrolkou **START/PAUSE:** slúži na zahájenie alebo na dočasné prerušenie programov.

POZN.: Stlačenie tohoto tlačidla slúži na prerušenie prebiehajúceho prania; príslušná kontrolka bude blikať oranžovým svetlom, zatiaľ čo kontrolka prebiehajúcej fázy zostane rozsvietená stálym svetlom. Keď bude kontrolka ZABLOKOVANIA DVIEROK  zhasnutá, bude možné otvoriť dverka.

Pre opätovné zahájenie prania z bodu, v ktorom bolo prerušené, opätovne stlačte toto tlačidlo.

Pohotovostný režim

Po skončení cyklu alebo v case, keď nie je spustený žiaden cyklus, po 30 minútach dôjde k vypnutiu zariadenia kvôli energetickej úspore. Na obnovenie činnosti zariadenia, nachádzajúceho sa v pohotovostnom režime, stačí stlačiť tlačidlo ON/OFF.

Spotreba v off-mode: 0,5 W

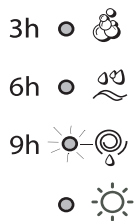
Spotreba v Left-on: 0,5 W

Kontrolky

Kontrolky sú zdrojom dôležitých informácií. Informujú o nasledujúcich skutočnostiach:

Oneskorený štart

Keď bola aktivovaná funkcia „Oneskoreného štartu“ (vid' „Užívateľské nastavenia“), po zahájení pracieho programu začne blikať príslušná kontrolka zvoleného oneskorenia:



Priebežne bude zobrazovaný čas zostávajúci do štartu, a zobrazovanie bude sprevádzané blikaním príslušnej kontrolky:




Po uplynutí zvolenej doby oneskorenia dôjde k zahájeniu nastaveného programu.

Kontrolky prebiehajúcej fázy

Po zvolení a zahájení požadovaného pracieho cyklu dôjde k postupnému rozsvetovaniu kontroliek informujúcich o jeho postupe.

Zahájenie pracieho programu

1. Zapnite práčku stlačením tlačidla ON/OFF. Všetky kontrolky sa rozsvetia na niekoľko sekúnd, potom zhasnú a bude blikať kontrolka START/PAUSE.
2. Naplňte práčku a zatvorte dvierka.
3. Otočným ovládačom PROGRAMOV zvolte požadovaný prací program.
4. Nastavte teplotu prania (vid' „Užívateľské nastavenia“).
5. Podľa potreby nastavte druh sušenia (vid' „Užívateľské nastavenia“).
6. slúži na dávkovanie pracieho prostriedku a prídavných prostriedkov (vid' „Pracie prostriedky a prádlo“).
7. Zvolte požadované funkcie.
8. Zahájte prací program stlačením tlačidla START/PAUSE a príslušná kontrolka zostane rozsvietená stálym svetlom zelenej farby. Zrušenie nastaveného pracieho cyklu sa vykonáva prerušením činnosti zariadenia stlačením tlačidla START/PAUSE a voľbou nového cyklu.
9. Po ukončení pracieho programu sa rozsvieti kontrolka END. Po zhasnutí kontrolky ZABLOKOVANIA DVIEROK  bude možné dvierka otvoriť. Vytiahnite prádlo a nechajte dvierka pootvorené, aby bolo umožnené vysušenie bubna. Zapnite práčku stlačením tlačidla ON/OFF.

Pranie



Plákanie



Odstredovanie/Odčerpanie vody



Sušenia



Ukončenie prania



Poznámka: Na konci cyklu sušenia je potrebné vrátiť otočný ovládač SUŠENIA do polohy „0“.

Funkčné tlačidlá a príslušné kontrolky

Po zvolení konkrétnej funkcie dôjde k rozsvieteniu príslušnej kontrolky.

Keď zvolenú funkciu nie je možné zaradiť do nastaveného programu, príslušná kontrolka bude blikať, budete počuť akustický signál a funkcia nebude aktivovaná. V prípade, že zvolená funkcia nie je kompatibilná s inou predtým zvolenou funkciou, kontrolka prvej voliteľnej funkcie bude blikať a bude aktivovaná len druhá, pričom kontrolka zvolenej funkcie sa rozsvieti stálym svetlom.

Kontrolka zablokovania dvierok



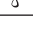
Rozsvietenie tejto kontrolky signalizuje, že dvierka sú zaistené kvôli zamedzeniu ich náhodnému otvoreniu; aby sa dvierka nepoškodili, pred ich otvorením je potrebné vyčkať, kým uvedená kontrolka nezhasne; (vyčkajte približne 3 minúty). Na otvorenie dvierok v priebehu pracieho cyklu stlačte tlačidlo START/PAUSE; keď bude kontrolka ZAISTENÉ DVIERKA zhasnutá, bude možné dvierka otvoriť.

! Rýchle blikanie kontroliek „fáz prania“ a kontrolky ZABLOKOVANIA DVIEROK signalizuje poruchu (viz „Poruchy a spôsob ich odstránenia“).

Pracie programy

SK

Tabuľka pracích programov

Pracie programy	Popis programu	Max. Teplota (°C)	Max. rýchlosť (otáčky za minútu)	Sušenia	Pracie prostriedky			Max. náplň (kg)	Doba trvania cyklu
					Pred-pranie	Pra-nie	Avivaž		
Programy pre každodenné pranie									
1	BAVLNA + PREDPRANIE: Mimoriadne špinavé biele prádlo.	90°	1600	●	●	●	●	7	170'
2	BAVLNA: Mimoriadne špinavé biele prádlo.	90°	1600	●	-	●	●	7	155'
2	BAVLNA (1): Značne špinavé biele a farebné prádlo z odolných tkanín.	60°	1600	●	-	●	●	7	155'
2	BAVLNA (2): Značne špinavé biele a farebné prádlo z chĺlostivých tkanín.	40°	1600	●	-	●	●	7	145'
3	BAVLNA: Značne špinavé biele a farebné prádlo z odolných tkanín.	60°	1600	●	-	●	●	7	130'
4	FAREBNÁ BAVLNA: Málo špinavé biele chĺlostivé prádlo.	40°	1600	●	-	●	●	7	90'
5	SYNTETIKA: Veľmi špinavé farebné prádlo z odolných tkanín.	60°	800	●	-	●	●	3	85'
Špeciálne programy									
6	VLNA: Pre vlnu, kašmír, atd.	40°	800	-	-	●	●	1,5	55'
7	HODVÁB/ZÁCLONY: Pre prádlo z hodvábu, viskózy, spodné prádlo.	30°	0	-	-	●	●	1	55'
8	JEANS	40°	800	●	-	●	●	3	80'
9	Sport Light	30°	600	-	-	●	●	3	70'
10	Sport Shoes	30°	600	-	-	●	●	(Max. 2 páry.)	50'
Programy Sušenie									
11	Sušenie "Bavlna"	-	-	●	-	-	-	5	-
12	Sušenie "Syntetika"	-	-	●	-	-	-	3	-
13	Express Wash & Dry	30°	1600	●	-	●	●	0,5	35'
Dielčie programy									
	Plákanie	-	1600	●	-	-	●	7	36'
	Odstred'ovanie	-	1600	●	-	-	-	7	16'
	Odcerpanie vody	-	0	-	-	-	-	7	2'

Doba trvania cyklu, uvedená na displeji alebo v návode, je stanovená na základe štandardných podmienok. Skutočná doba sa môže meniť v závislosti na mnohých faktoroch, ako sú napr. teplota a tlak vody na vstupe, teplota prostredia, množstvo pracieho prostriedku, množstvo a druh náplne, vyváženie náplne a zvolené funkcie.

Pre všetky Test Institutes:

- 1) Kontrolný program podľa normy EN 50229: nastavte program 2 s teplotou 60°C.
- 2) Dlhý program na pranie bavlny: nastavte program 2 s teplotou 40°C.

Špeciálne programy

Sport Light (program 9) bol navrhnutý pre pranie málo znečistených látok športového oblečenia (teplákové súpravy, šortky apod.); pre dosiahnutie optimálnych výsledkov sa odporúča neprekračovať maximálnu náplň uvedenú v "Tabuľka pracích programov". Odporúča sa použiť tekutý prací prostriedok a použiť dávku vhodnú pre polovičnú náplň.

Sport Shoes (program 10) bol navrhnutý pre pranie športovej obuvi; pre dosiahnutie optimálnych výsledkov neperte viac ako 2 páry naraz.

Express Wash & Dry (program 13) bol navrhnutý pre pranie mierne znečisteného oblečenia počas krátkej doby: Pri voľbe tohto cyklu je možné oprat' a vysušiť až do 0,5 kg prádla iba za 35 minút.

Pre dosiahnutie optimálnych výsledkov použite tekutý prací prostriedok; predbežne predperte manžety, golieri a škvrnky.

Nastavenie teploty

Otáčaním otočného ovládača TEPLOTY sa nastavuje teplota prania (viď *Tabuľka programov*).

Teplota môže byť postupne znižovaná až po pranie v studenej vode (☼).

Zariadenie automaticky zabráni nastaveniu vyššej teploty ako je maximálna teplota pre každý prací program.

Nastavenie sušenia

Otáčaním otočného gombíka pre voľbu druhu SUŠENIA je možné nastaviť požadovaný druh sušenia. K dispozícii sú dve možnosti:

A - Na základe zadaného časového intervalu: Od **40** do **180** minút.

B - Na základe stupňa vlhkosti sušeného prádla:

Žehlenie : Určené pre prádlo, ktoré musí byť následne žehlené. Úroveň zvyšovanej vlhkosti zjemní záhyby a uľahčí ich odstránenie.

Zavesenie : Ideálne pre prádlo, ktoré nevyžaduje úplné vysušenie.

Skriňa : Vhodné pre prádlo určené na odloženie do skrine bez potreby jeho vyžehlenia.

Keď je vo výnimočných prípadoch množstvo prádla vyššie ako maximálne povolená náplň (viď *vedľa uvedená tabuľka*), vykonajte prací cyklus a po jeho ukončení prádlo rozdeľte a jednu z dvoch častí vložte naspäť do bubna. Ďalej sa riadte pokynmi pre **samotné sušenie**. Zopakujte rovnaký postup aj pri sušení zostávajúcej časti prádla.

Samotné sušenie

Otočným ovládačom zvolte sušenie (**11-12**) podľa druhu tkaniny. Je možné nastaviť aj požadovanú úroveň alebo dobu sušenia tlačidlom SUŠENIA.

Funkcie

Jednotlivé funkcie, ktorými práčka disponuje, umožňujú dosiahnuť požadovaný stupeň čistoty a belosti praného prádla.

Spôsob aktivácie jednotlivých funkcií:

1. stlačte príslušné tlačidlo požadovanej funkcie;
2. rozsvietenie príslušnej kontrolky signalizuje, že došlo k aktivácii zvolenej funkcie.

Poznámka: Rýchle blikanie kontrolky signalizuje, že príslušná funkcia je nepoužiteľná počas nastaveného pracieho programu.

EcoTime

Voľbou tejto funkcie budú mechanický pohon, teplota a voda nastavené pre zníženú náplň málo znečistenej bavlny a syntetických materiálov (viď „Tabuľka programov“). Pri použití programu „EcoTime“ môžete pracovať s kratšími dobami a ušetriť vodu a energiu. Odporúča sa používať dávku tekutého pracieho prostriedku, vhodnú pre naplnené množstvo.

! Táto funkcia nie je použiteľná pri programoch 1, 2, 6, 7, 8, 9, 10, 11, 12, 13, , , .

Energy Savér

Funkcia prispieva k energetickej úspore, tým že neohrieva vodu použitú na pranie prádla – šetrí sa tým nie len životné prostredie, ale aj náklady za elektrickú energiu. Posilnený účinok a optimalizovaná spotreba vody skutočne zabezpečia optimálny výsledok za rovnakú priemernú dobu odpovedajúcu štandardnému cyklu.

Na dosiahnutie lepších výsledkov prania sa odporúča použiť tekutý prací prostriedok.

! Táto funkcia nie je použiteľná pri programoch 1, 6, 7, 9, 10, 11, 12, 13, , , .

1600-800

Stlačením tohoto tlačidla dôjde k zníženiu rýchlosti odstreďovania

! Táto funkcia nie je použiteľná pri programoch 7, 11, 12, 13, .

Oneskorený štart

Slúži na odloženie zahájenia pracieho cyklu až o 9 hodín.

Opakovane stláčajte tlačidlo, až kým sa nerozsvieti kontrolka označujúca požadovanú dobu oneskorenia.

Po piatom stlačení tlačidla dôjde k zrušeniu uvedenej funkcie.

POZN.: Po stlačení tlačidla START/PAUSE je možné zmeniť čas oneskorenia len jeho znížením a to až do zahájenia nastaveného programu.

! Je aktívny pri všetkých pracích programoch.

Tabuľka doby Sušenia (Orientačné hodnoty)

Druh tkaniny	Druh náplne	Max. náplň (kg)	Skriňa	Zavesenie	Žehlenie
Bavlna	Prádlo rôznych rozmerov, Froté uteráky	5	180	170	140
Syntetika	Prestieradlá, košele	3	140	120	100

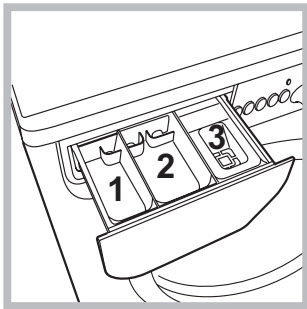
Pracie prostriedky a prádlo

SK

Dávkovač pracích prostriedkov

Dobrý výsledok prania závisí aj od správneho dávkovania pracieho prostriedku: použitie nadmerného množstva znižuje efektívnosť prania a napomáha tvorbe vodného kameňa na vnútorných častiach práčky a zvyšuje znečistenie životného prostredia.

! Nepoužívajte pracie prostriedky určené na pranie v rukách, pretože spôsobujú tvorbu nadmerného množstva peny.



Pri vyťahovaní dávkovača pracích prostriedkov a pri jeho plnení pracími alebo prídavnými prostriedkami postupujte nasledovne.

priehradka 1: Prací prostriedok na predpieranie (práškový)

priehradka 2: Prací prostriedok na pranie (práškový alebo tekutý)

Tekutý prací prostriedok sa nalieva len tesne pred zahájením pracieho cyklu.

priehradka 3: Prídavné prostriedky (aviváž, atď.)

Aviváž nesmie vytekať z mriežky.


Príprava prádla

- Roztriedte prádlo podľa:
 - druhu tkaniny / symbolu na visačke.
 - farby: oddel'te farebné prádlo od bieleho.
- Vyprázdnite vrecká a skontrolujte gombíky.
- Neprekračujte hodnoty povolenej náplne uvedenej v "Tabuľka pracích programov", vzťahujúce sa na hmotnosť suchého prádla.

Koľko váži prádlo?

- 1 plachta 400-500 g
- 1 obliečka 150-200 g
- 1 obrus 400-500 g
- 1 župan 900-1.200 g
- 1 uterák 150-250 g

Prádlo vyžadujúce osobitnú starostlivosť

Vlna: S programom 6 je možné prať v práčke všetky druhy vlneného prádla, aj tie, ktoré sú označené visačkou „prať len v rukách“ . Pre dosiahnutie optimálnych výsledkov používajte špecifický prací prostriedok a neprekračujte náplň 1,5 kg.

Hodváb: použite príslušný program 7 na pranie všetkého prádla z hodvábu. Odporúča sa použitie pracieho prostriedku pre chůlostivé prádlo.

Záclony: odporúča sa ich poskladať a vložiť do sáčku dodaného v rámci príslušenstva. Použite program 7.

Jeans: Prevráťte prádlo naruby a použite tekutý prací prostriedok. Použite program 8.

System automatického vyváženia náplne

Pred každým odstredovaním bubon vykoná otáčanie rýchlosťou o málo prevyšujúcou rýchlosť prania, aby sa tak odstránili vibrácie a aby sa náplň rovnomerne rozložila. V prípade, že po niekoľko násobných pokusoch o vyváženie prádlo ešte nebude správne vyvážené, zariadenie vykoná odstredovanie nižšou rýchlosťou, ako je prednastavená rýchlosť. Ak je práčka nadmerne nevyvážená, vykoná namiesto odstredovania vyváženie. Za účelom dosiahnutia rovnomernejšieho rozloženia náplne a jej správneho vyváženia, odporúča sa pomiešať veľké a malé kusy prádla.

Môže sa stať, že práčka nebude fungovať. Skôr, ako zatelefonujete na Servisnú službu *vid' „Servisná služba“*) skontrolujte, či sa nejedná o problém ľahko odstrániteľný pomocou nasledujúceho zoznamu.

Poruchy:

Pračku nie je možné zapnúť.

Nedochádza k zahájeniu pracovného cyklu.

Pračka nenapúšťa vodu (rýchle bliká kontrolka prvej fázy prania).

Pračka nepretržite napúšťa a odčerpáva vodu.

Pračka neodčerpáva vodu alebo neodstreďuje.

Pračka vo fáze odstredovania veľmi vibruje.

Z práčky uniká voda.

Kontrolky „voliteľné funkcie“ a kontrolka „START/PAUSE“ blikajú a jedna z kontroliek „prebiehajúca fáza“ a „ZABLOKOVANIA DVIEROK“ sa rozsvieti stálym svetlom.

Dochádza k tvorbe nadmerného množstva peny.

Pračka so sušičkou nesuší.

Možné príčiny / Spôsob ich odstránenia:

- Zástrčka nie je zasunutá v elektrickej zásuvke, alebo nie je zasunutá dostatočne, aby došlo k spojeniu kontaktov.
- V celom dome je vypnutý prúd.
- Nie sú riadne zatvorené dvierka.
- Nebolo stlačené tlačidlo ON/OFF.
- Nebolo stlačené tlačidlo START/PAUSE.
- Nebol otvorený kohútik prívodu vody.
- Bol nastavený oneskorený štart (*vid' „Užívateľské nastavenia“*).
- Prítoková hadica nie je pripojená k vodovodnému kohútiku.
- Hadica je príliš ohnutá.
- Nebol otvorený kohútik prívodu vody.
- V celom dome je uzatvorený prívod vody.
- V rozvode vody nie je dostatočný tlak.
- Nebolo stlačené tlačidlo START/PAUSE.
- Vypúšťacia hadica sa nachádza mimo určeného rozmedzia od 65 do 100 cm nad zemou (*vid' „Inštalácia“*).
- Koncová časť vypúšťacej hadice je ponorená vo vode (*vid' „Inštalácia“*).
- Odpadové potrubie v stene nie je vybavené odvzdušňovacím otvorom. Ak po týchto kontrolách nedôjde k odstráneniu problému, zatvorte vodovodný kohútik, vypnite práčku a zavolajte Servisnú službu. V prípade, že sa byt nachádza na jednom z najvyšších poschodí je možné, že dochádza k sifónovému efektu, následkom ktorého práčka nepretržite napúšťa a odčerpáva vodu. Na odstránenie uvedeného efektu sú v predaji bežne dostupné špeciálne „protisifónové“ ventily.
- Odčerpanie vody netvorí súčasť nastaveného programu: pri niektorých programoch je potrebné aktivovať ho manuálne.
- Je aktívna funkcia JEDNODUCHÉ ŽEHLENIE: na dokončení programu stlačte tlačidlo START/PAUSE (*„Užívateľské nastavenia“*).
- Vypúšťacia hadica je ohnutá (*vid' „Inštalácia“*).
- Odpadové potrubie je upchaté.
- Počas inštalácie nebol bubon odistený predpísaným spôsobom (*vid' „Inštalácia“*).
- Pračka nie je dokonale vyrovnaná do vodorovnej polohy (*vid' „Inštalácia“*).
- Zariadenie je stlačené medzi nábytkom a stenou (*vid' „Inštalácia“*).
- Prítoková hadica nie je správne zaskrutkovaná (*vid' „Inštalácia“*).
- Dávkovač pracích prostriedkov je upchatý (spôsob jeho vyčistenia je uvedený v časti *„Údržba a starostlivosť“*).
- Vypúšťacia hadica nie je dobre pripevnená (*vid' „Inštalácia“*).
- Vypnite zariadenie a vyťahnite zástrčku zo zásuvky, vyčkajte 1 minútu a opätovne ho zapnite. Ak porucha pretrváva, obráťte sa na Servisnú službu.
- Použitý prací prostriedok nie je vhodný na použitie v automatickej práčke (musí obsahovať označenie „pre pranie v práčke“, „pre pranie v rukách alebo v práčke“ alebo podobné označenie).
- Bolo použité jeho nadmerné množstvo.
- Zástrčka nie je zasunutá v zásuvke, alebo nie dostatočne na to, aby došlo k spojeniu kontaktov.
- V celom dome je vypnutý prúd.
- Dvierka nie sú správne zatvorené.
- Bol nastavený oneskorený štart.
- Volič SUŠENIA sa nachádza v polohe 0.

SK

Pred obrátením sa na Servisnú službu:

- Skontrolujte, či nie ste schopní poruchu odstrániť sami (vid' „*Poruchy a spôsob ich odstránenia*“);
- Opätovne uveďte do chodu prací program, s cieľom overiť, či bola porucha odstránená;
- V opačnom prípade sa obráťte na Centrum servisnej služby, na telefónnom čísle uvedenom na záručnom liste.

! Nikdy sa neobracajte so žiadosťou o pomoc na technikov, ktorí nie sú na vykonávanie tejto činnosti oprávnení.

Pri hlásení poruchy uveďte:

- druh poruchy;
- model zariadenia (Mod.);
- výrobné číslo (S/N).

Tieto informácie sú uvedené na štítku aplikovanom na zadnej časti práčky a v jej prednej časti, dostupnej po otvorení dvierok.