

Use & Care Guide
Manual de uso y cuidado
Guide d'utilisation et d'entretien

English / Español / Français

Table of Contents...2 / Índice...27 / Table des matières...53

Models/Modelos/Modèles: 110.44422610

Kenmore®

Compact Washer

Lavadora compacta

Laveuse compacte

P/N W10832407B

Sears Brands Management Corporation
Hoffman Estates, IL 60179 U.S.A.
www.kenmore.com

Sears Canada Inc.
Toronto, Ontario, Canada M5B 2C3
www.sears.ca



Designed to use only HE High Efficiency detergents.
Diseñada para utilizar solamente detergentes de alto rendimiento (HE).
Conçue pour utiliser un détergent haute efficacité seulement.

TABLE OF CONTENTS

WASHER SAFETY	2	WASHER MAINTENANCE	19
INSTALLATION REQUIREMENTS.....	4	TROUBLESHOOTING.....	21
PERMANENT INSTALLATION INSTRUCTIONS.....	7	PROTECTION AGREEMENTS	26
PORTABLE INSTALLATION INSTRUCTIONS.....	11	WARRANTY	26
CONTROL PANEL AND FEATURES	14	ASSISTANCE OR SERVICE.....	Back Cover
USING YOUR WASHER	16		

WASHER SAFETY

Your safety and the safety of others are very important.

We have provided many important safety messages in this manual and on your appliance. Always read and obey all safety messages.



This is the safety alert symbol.

This symbol alerts you to potential hazards that can kill or hurt you and others.

All safety messages will follow the safety alert symbol and either the word "DANGER" or "WARNING." These words mean:

 **DANGER**

You can be killed or seriously injured if you don't immediately follow instructions.

 **WARNING**

You can be killed or seriously injured if you don't follow instructions.

All safety messages will tell you what the potential hazard is, tell you how to reduce the chance of injury, and tell you what can happen if the instructions are not followed.

IMPORTANT SAFETY INSTRUCTIONS

WARNING: To reduce the risk of fire, electric shock, or injury to persons when using the washer, follow basic precautions, including the following:

- Read all instructions before using the washer.
- Do not wash articles that have been previously cleaned in, washed in, soaked in, or spotted with gasoline, dry-cleaning solvents, other flammable, or explosive substances as they give off vapors that could ignite or explode.
- Do not add gasoline, dry-cleaning solvents, or other flammable, or explosive substances to the wash water. These substances give off vapors that could ignite or explode.
- Under certain conditions, hydrogen gas may be produced in a hot water system that has not been used for 2 weeks or more. **HYDROGEN GAS IS EXPLOSIVE.** If the hot water system has not been used for such a period, before using the washing machine, turn on all hot water faucets and let the water flow from each for several minutes. This will release any accumulated hydrogen gas. As the gas is flammable, do not smoke or use an open flame during this time.
- Do not allow children to play on or in the washer. Close supervision of children is necessary when the washer is used near children.
- Before the washer is removed from service or discarded, remove the door or lid.
- Do not reach into the washer if the drum, tub or agitator is moving.
- Do not install or store the washer where it will be exposed to the weather.
- Do not tamper with controls.
- Do not repair or replace any part of the washer or attempt any servicing unless specifically recommended in this manual or in published user-repair instructions that you understand and have the skills to carry out.
- See “Electrical Requirements” located in the installation instructions for grounding instructions.

SAVE THESE INSTRUCTIONS

State of California Proposition 65 Warnings:

WARNING: This product contains one or more chemicals known to the State of California to cause cancer.

WARNING: This product contains one or more chemicals known to the State of California to cause birth defects or other reproductive harm.

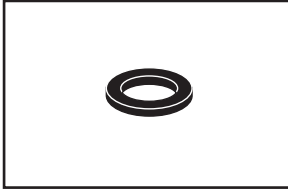
INSTALLATION REQUIREMENTS

Tools and Parts

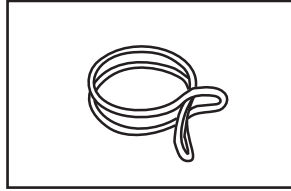
Gather the required tools and parts before starting installation. The parts supplied are in the washer basket.

Portable Installation

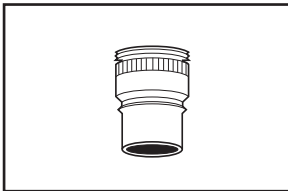
Parts supplied:



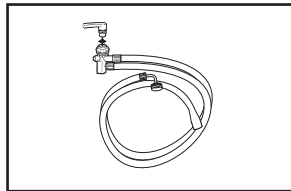
Flat washers for faucet adapter and fill hoses



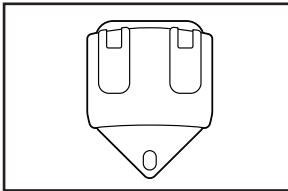
Silver, double-wire hose clamp (for bottom of drain hose)



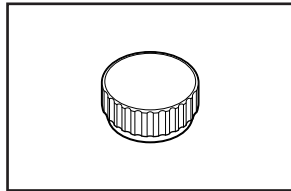
Faucet adapter



Fill-and-drain hose

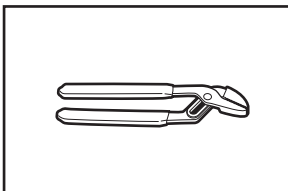


Hose bracket

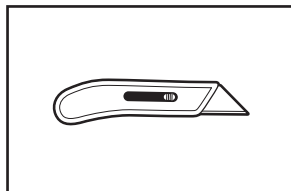


Valve cap

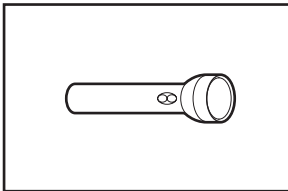
Tools needed for installation:



Pliers that open to 1 5/16" (3.95 cm)



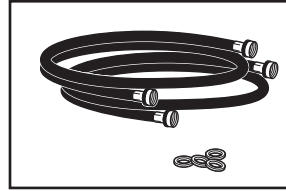
Utility knife



Flashlight (optional)

Permanent Installation

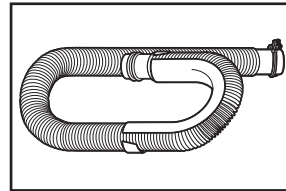
Parts needed (not provided with washer):



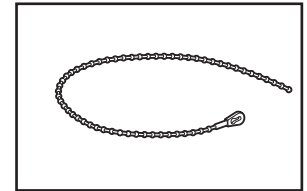
Inlet hoses with flat washers

NOTE: Replace inlet hoses after 5 years of use to reduce the risk of hose failure. Record hose installation or replacement dates for future reference.

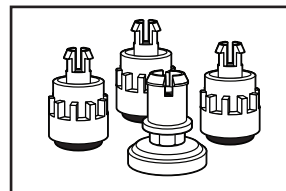
Parts supplied:



Drain hose with clamp

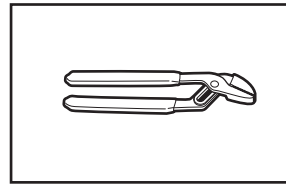


Cable tie

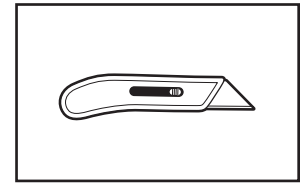


Leveling feet

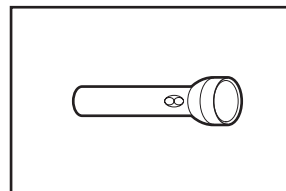
Tools needed for installation



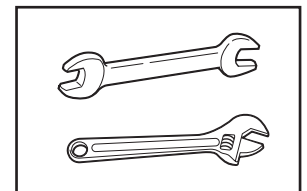
Pliers that open to 1 5/16" (3.95 cm)



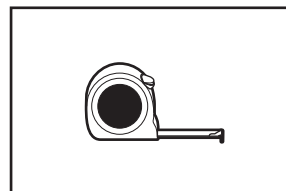
Utility knife



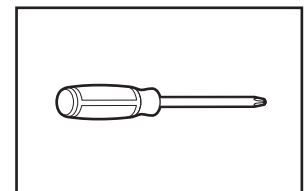
Flashlight (optional)



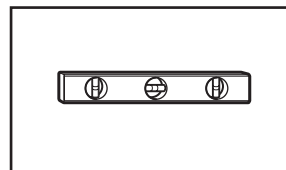
Adjustable or open-end wrench 5/16" (14 mm)



Measuring tape



Phillips screwdriver



Level

Alternate Parts

Your installation may require additional parts. For information on ordering, please refer to the back cover of this manual.

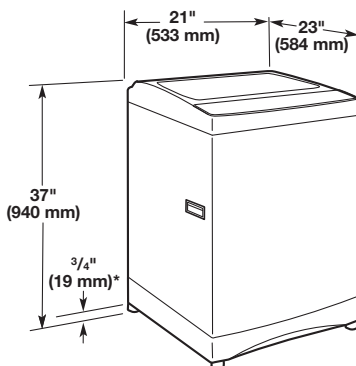
If You Have:	You Will Need to Buy:
Laundry tub or standpipe taller than 72" (183 cm)	Sump pump system (if not already available)
1" (2.5 cm) diameter standpipe	2" (5 cm) diameter to 1" (2.5 cm) diameter standpipe adapter, Part Number 3363920
Overhead sewer	Standard 20 gal. (76 L) 39" (990 mm) tall drain tub or utility sink, sump pump, and connectors (available from local plumbing suppliers)
Floor drain	Siphon break, Part Number 285320; additional drain hose, Part Number 3357090 and connector kit, Part Number 285442
Water faucets beyond reach of fill hoses	2 longer water fill hoses: 6 ft (1.8 m) Part Number 76314 10 ft (3.0 m) Part Number 350008
Drain hose too short	Drain hose, Part Number 388423 and hose kit, Part Number 285442
Drain hose that is too long	Hose kit, Part Number 285442
Lint clogged drain	Drain protector, Part Number 367031

Location Requirements

Selecting the proper location for your washer improves performance and minimizes noise and possible washer "walk."

Your washer can be installed in a basement, laundry room, closet, or recessed area. See "Drain System."

Washer Dimensions



*Minimum measurement with leveling feet installed.

IMPORTANT: Do not install or store the washer where it will be exposed to the weather.

Proper installation is your responsibility.

You will need:

- A water heater set to deliver 120°F (49°C) water to the washer.
- A grounded electrical outlet located within 5 ft (1.5 m) of where the power cord is attached to the back of the washer. See "Electrical Requirements."
- Hot and cold water faucets located within 3½ ft (1.1 m) of the hot and cold water fill valves, and water pressure of 5–100 psi (34.5–690 kPa).
- A level floor with a maximum slope of ¾" (1.9 cm) under entire washer. Installing the washer on carpeting is not recommended.
- A sturdy floor to support the washer weight (washer, water, and load) of 225 lbs (102 kg).

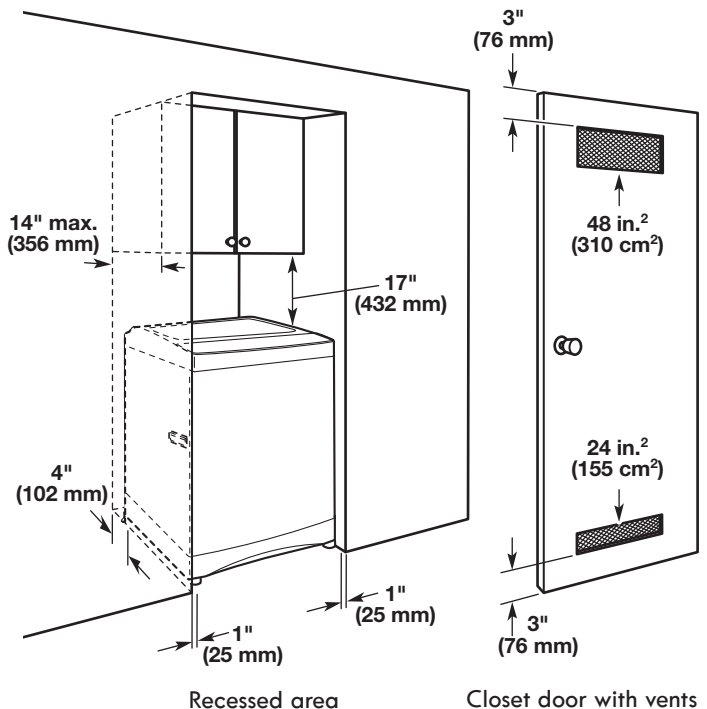
Do not store or operate your washer in temperatures at or below 32°F (0°C). Some water can remain in the washer and can cause damage in low temperatures. See "Washer Care" for winterizing information.

Recessed area or closet installation

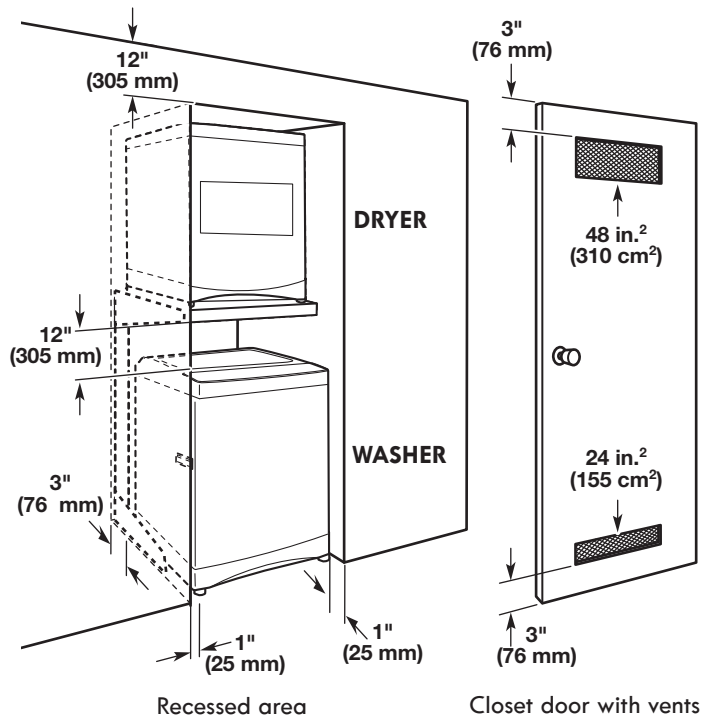
The dimensions shown are for the recommended spacing allowed, except the closet door ventilation openings. The dimensions shown for the closet door ventilation openings are the minimum required.

- Additional spacing should be considered for ease of installation and servicing.
- Additional clearances may be required for wall, door, and floor moldings.
- Additional spacing of 1" (2.5 cm) on all sides of the washer is recommended to reduce noise transfer.
- If a closet door is installed, the minimum air openings in the top and bottom of the door are required. Louvered doors with air openings in the top and bottom are acceptable.
- Companion appliance spacing should also be considered.

Washer Only



Stacked



- Check with a qualified electrician if you are not sure the washer is properly grounded.
- Do not have a fuse in the neutral or ground circuit.

GROUNDING INSTRUCTIONS

For a grounded, cord-connected washer:

This washer must be grounded. In the event of a malfunction or breakdown, grounding will reduce the risk of electrical shock by providing a path of least resistance for electric current. This washer is equipped with a cord having an equipment-grounding conductor and a grounding plug. The plug must be plugged into an appropriate outlet that is properly installed and grounded in accordance with all local codes and ordinances.

WARNING: Improper connection of the equipment-grounding conductor can result in a risk of electric shock. Check with a qualified electrician or serviceman if you are in doubt as to whether the appliance is properly grounded.

Do not modify the plug provided with the appliance – if it will not fit the outlet, have a proper outlet installed by a qualified electrician.

For a permanently connected washer:

This washer must be connected to a grounded metal, permanent wiring system, or an equipment grounding conductor must be run with the circuit conductors and connected to the equipment-grounding terminal or lead on the appliance.

Electrical Requirements

⚠ WARNING



Electrical Shock Hazard

Plug into a grounded 3 prong outlet.

Do not remove ground prong.

Do not use an adapter.

Do not use an extension cord.

Failure to follow these instructions can result in death, fire, or electrical shock.

- A 120-volt, 60 Hz., AC-only, 15- or 20-amp, fused electrical supply is required. A time-delay fuse or circuit breaker is recommended. It is recommended that a separate circuit serving only this appliance be provided.
- This washer is equipped with a power supply cord having a 3 prong grounding plug.
- To minimize possible shock hazard, the cord must be plugged into a mating, 3 prong, grounding-type outlet, grounded in accordance with local codes and ordinances. If a mating outlet is not available, it is the personal responsibility and obligation of the customer to have the properly grounded outlet installed by a qualified electrician.
- If codes permit and a separate ground wire is used, it is recommended that a qualified electrician determine that the ground path is adequate.
- Do not ground to a gas pipe.

Remove Shipping Material

Before you install your washer, remove all shipping material.

⚠ WARNING

Excessive Weight Hazard

Use two or more people to move and install washer.

Failure to do so can result in back or other injury.

To avoid damaging floor, use a large flat piece of cardboard from the washer carton. Place cardboard under entire back of the washer.

Firmly grasp the body of the washer and gently lay it on the corner posts.

Remove plastic foam packaging from underneath the washer. Stand the washer up.

Remove tape from washer lid. Open washer lid and remove foam shipping piece, parts bag, and hoses from washer basket. Close the lid.

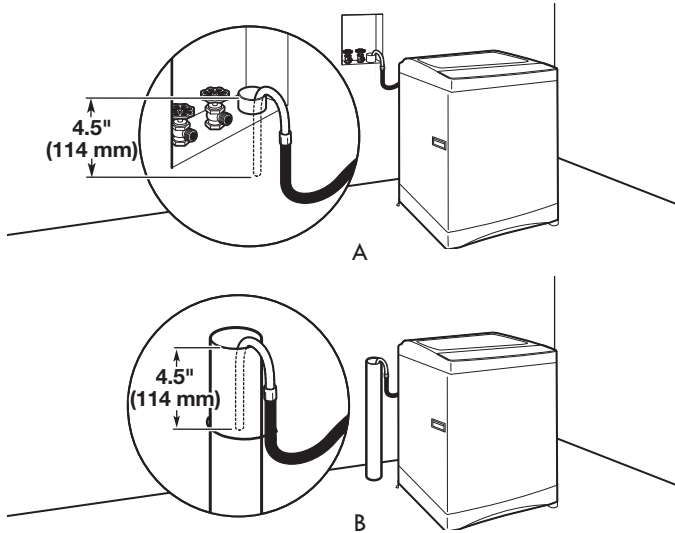
Drain System

The washer can be installed using the standpipe drain system (floor or wall), the laundry tub drain system, or the floor drain system. Select the drain hose installation method you need. See "Tools and Parts."

Standpipe drain system – wall or floor (views A & B)

The standpipe drain requires a minimum diameter standpipe of 2" (50 mm). The minimum carry-away capacity (for permanent installations) can be no less than 17 gal. (64.5 L) per minute.

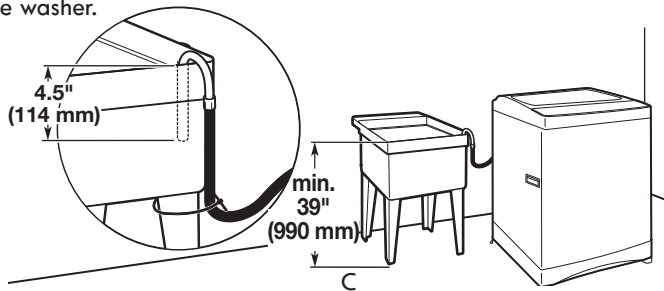
The top of the standpipe must be at least 39" (990 mm) high and no higher than 72" (183 cm) from the bottom of the washer.



Laundry tub drain system (view C)

The laundry tub requires a minimum carry-away capacity of 17 gal. (64.5 L) per minute (for permanent installations).

The top of the laundry tub must be at least 39" (990 mm) above the floor and no higher than 72" (183 cm) from the bottom of the washer.



PERMANENT INSTALLATION INSTRUCTIONS

⚠ WARNING

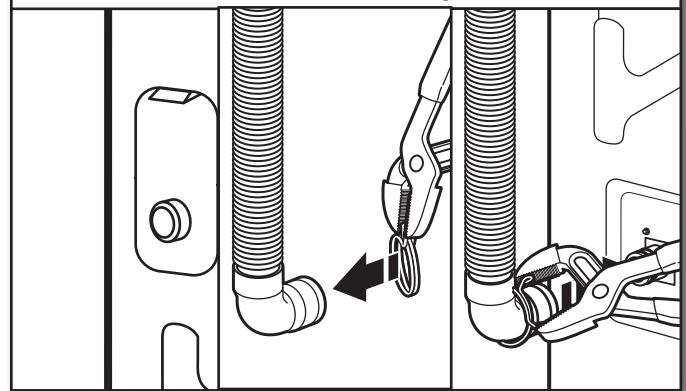
Excessive Weight Hazard

**Use two or more people to move and install washer.
Failure to do so can result in back or other injury.**

- To avoid damage to the floor, set the washer onto cardboard before moving across floor.
- Move the washer to within approximately 3 ft (900 mm) of the final location.

Connect Drain Hose

1. Attach drain hose to drain port



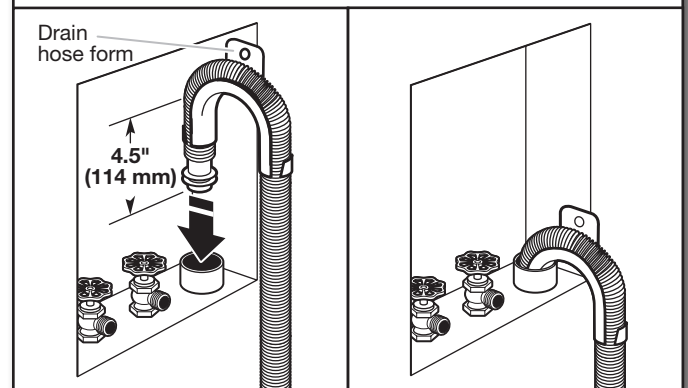
If clamp is not already in place on elbow end of drain hose, slide it over end as shown. Squeeze clamp with pliers and slide black elbow end of drain hose onto black drain port and secure with clamp.

For a laundry tub or standpipe drain, go to step 2.

For a floor drain, remove the preinstalled drain hose form as shown in Step 3.

Install Drain Hose

2. Place drain hose in standpipe



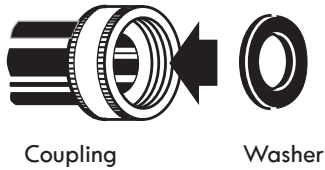
Place hose into standpipe (shown in picture) or over side of laundry tub.

IMPORTANT: 4.5" (114 mm) of drain hose should be inside standpipe; do not force excess hose into standpipe or lay on bottom of laundry tub. Drain hose form must be used.

Connect Inlet Hoses

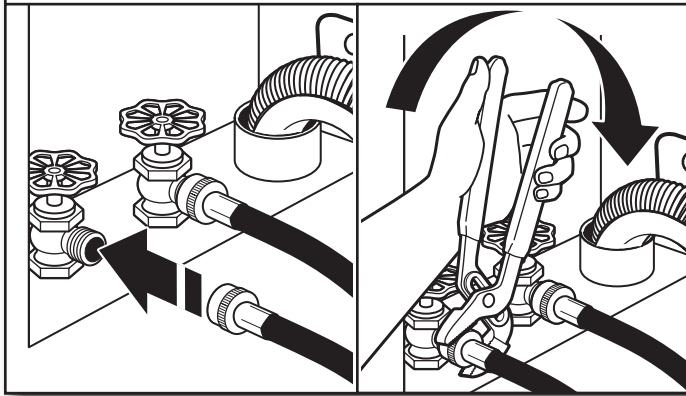
The washer must be connected to the water faucets using new inlet hoses (not provided). Do not use old hoses.

3. Insert new flat washers into inlet hoses



Insert new flat washers (not provided) into each end of the inlet hoses. Firmly seat the washers in the couplings.

4. Connect inlet hoses to water faucets

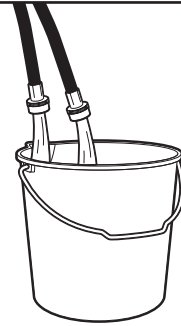


Check that the washer basket is empty.

Attach hose to hot water faucet. Screw on coupling by hand until it is seated on washer. Use pliers to tighten couplings an additional 2/3 turn. Repeat this step with second hose for cold water faucet.

IMPORTANT: Do not overtighten or use tape or sealants on valve when attaching to faucets or washer. Damage can result.

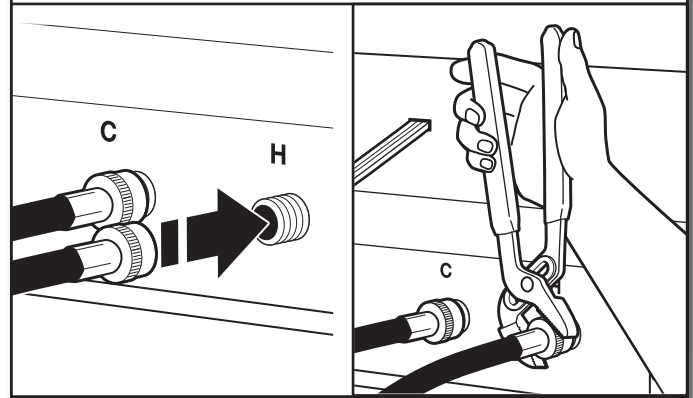
5. Clear water lines



Run water for a few seconds through hoses into a laundry tub, drainpipe, or bucket to avoid clogs. Water should run until clear.

Make note of which hose is connected to hot water to help in attaching hoses to washer correctly.

6. Connect inlet hoses to washer

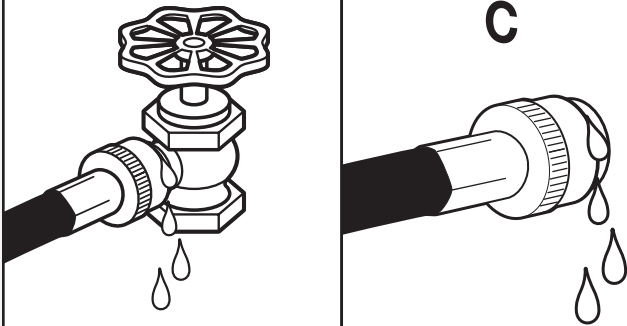


Remove inlet cap and attach hot water hose to hot water (right) inlet valve. Screw coupling by hand until it is snug. Use pliers to tighten couplings an additional 2/3 turn. Repeat with cold water (left) inlet valve.

IMPORTANT: To reduce risk of hose failure, replace the hoses every 5 years. Record hose installation or replacement dates for future reference.

- Periodically inspect and replace hoses if bulges, kinks, cuts, wear, or leaks are found.

7. Check for leaks

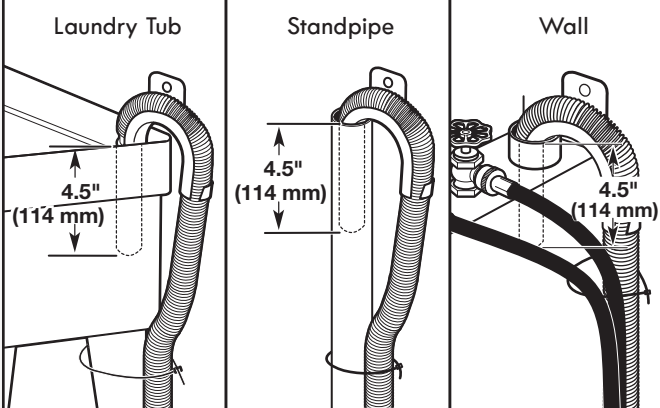


Turn on water faucets to check for leaks. A small amount of water may enter washer. It will drain later.

- If you connect only one water hose, you must cap (supplied) off the remaining water inlet port.

Secure Drain Hose

8. Secure drain hose to laundry tub, standpipe or wall



Secure drain hose to laundry tub leg, drain standpipe, or inlet hoses for wall standpipe with cable tie (provided).

- Do not force excess drain hose back into the rear of the washer.
- To avoid siphoning, do not seal or put more than 4½" (114 mm) of the drain hose into drainpipe or standpipe.

Install Leveling Feet – Optional (for permanent installation only)

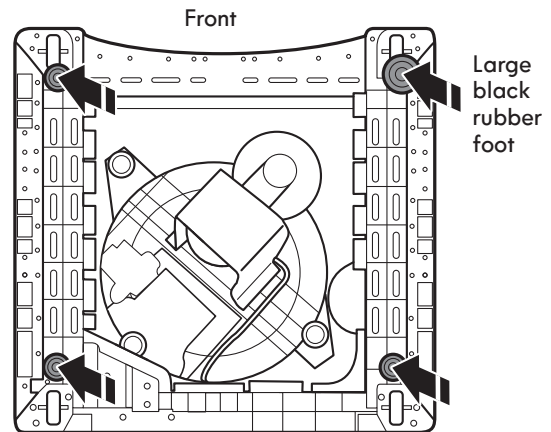
IMPORTANT: Installation of the leveling feet is permanent. Once the leveling feet are installed into the base of the washer, they cannot be removed and the washer wheels will no longer be able to roll.

⚠ WARNING

Excessive Weight Hazard

Use two or more people to move and install washer.
Failure to do so can result in back or other injury.

9. Install leveling feet



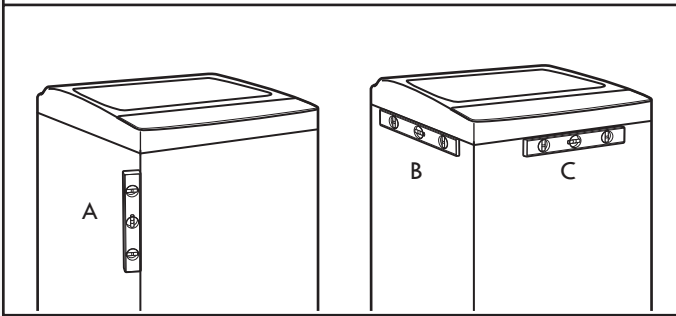
Lay washer on its back. Push in to snap the large black rubber foot into the right front corner of the washer base. Repeat to install the remaining leveling feet on the other 3 corners.

Level the Washer

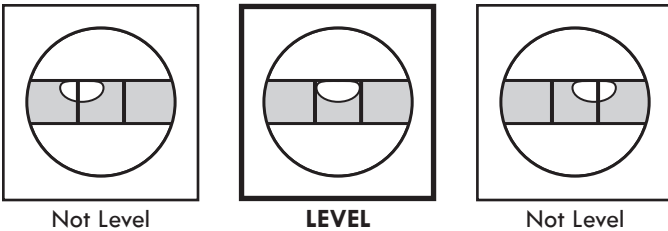
IMPORTANT: Level washer properly to reduce excess noise and vibration.

For Permanent Installations:

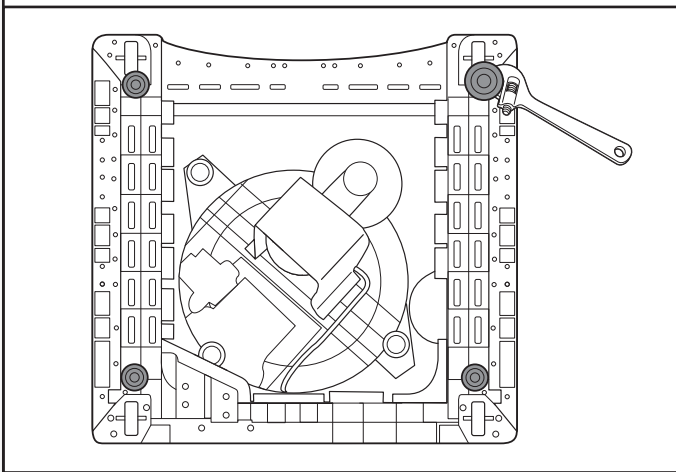
10. Check levelness of washer



Move the washer to its final location. Place a level even with top edges of washer (B). Use side seam as a guide to check levelness of sides (A). Check levelness of front using lid, as shown (C). Rock washer back and forth to make sure all 4 feet make solid contact with floor.



11. Adjust leveling foot



If the washer is not level, lay washer on its back to adjust the large black rubber leveling foot. If the washer is against a wall, move the washer out slightly before laying on its back.

Use a crescent wrench to adjust the large black rubber leveling foot up or down as necessary.

NOTE: The 3 smaller leveling feet are not adjustable.

For Portable Installations:

Check the levelness of the floor. If floor is not level, move washer to a level floor area.

! WARNING



Electrical Shock Hazard

Plug into a grounded 3 prong outlet.

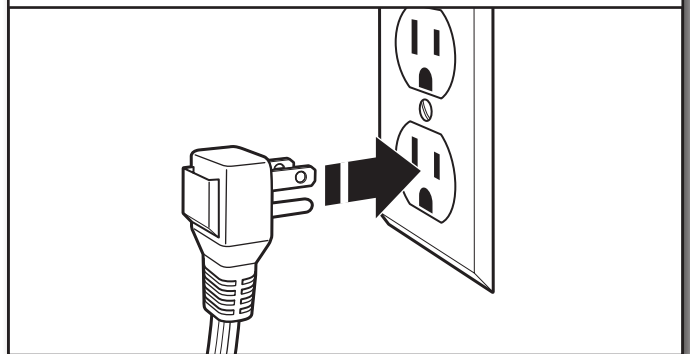
Do not remove ground prong.

Do not use an adapter.

Do not use an extension cord.

Failure to follow these instructions can result in death, fire, or electrical shock.

12. Plug into a grounded 3 prong outlet



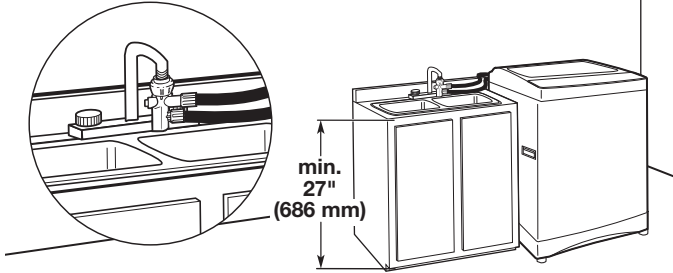
Complete Installation Checklist

- Check electrical requirements. Be sure you have correct electrical supply and recommended grounding method.
- Check that all parts are now installed. If there is an extra part, go back through steps to see what was skipped.
- Check that you have all of your tools.
- Check that shipping materials were completely removed from washer.
- Check that water faucets are on.
- Check for leaks around faucets and inlet hoses.
- Remove protective film from console and any tape remaining on washer.
- Check that washer is plugged into a grounded 3 prong outlet.
- Dispose of/recycle all packaging materials.
- Read "Washer Maintenance."
- To test and clean your washer, measure $\frac{1}{2}$ of normal recommended amount of powdered or liquid detergent and pour it into washer basket or detergent dispenser (on some models). Close lid. Select any cycle. Start washer and allow to complete full cycle.

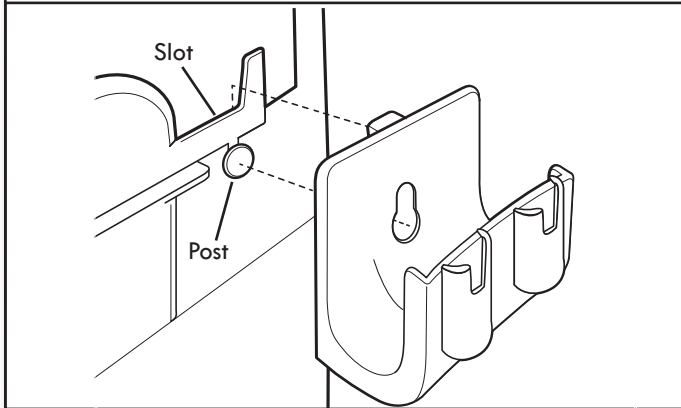
PORTABLE INSTALLATION INSTRUCTIONS

Drain System

The washer must drain into a sink or laundry tub with a carry-away capacity of 17 gal. (64.5 L) per minute (for portable installations). The top of the tub must be at least 27" (686 mm) above floor and no higher than 48" (121.9 cm) from the bottom of the washer.



1. Attach hose bracket

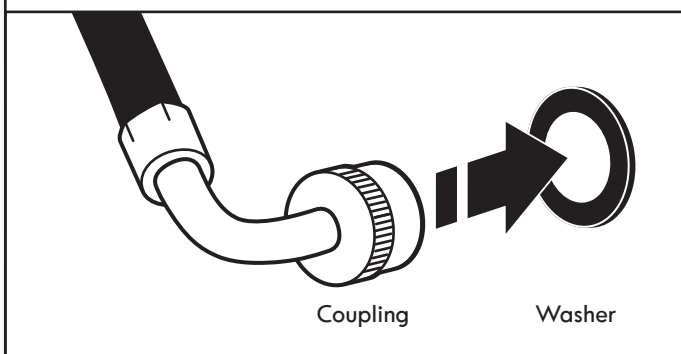


Place the hose bracket over the post on the back of the washer and position the the tab so it will insert into the slot. Push down to lock into place.

Connect Fill-And-Drain Hose

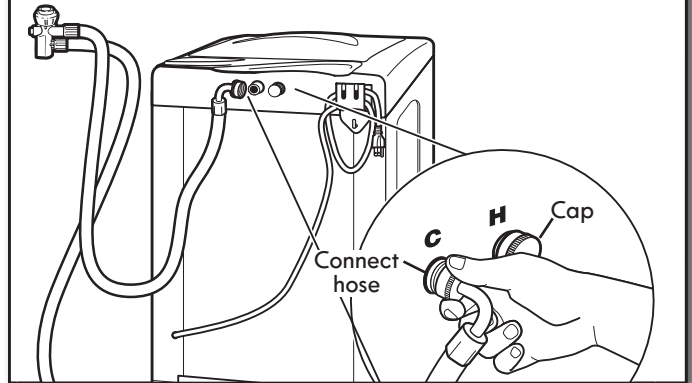
Proper connection of the fill-and-drain hose will protect your floors from damage due to water leakage.

2. Insert new flat washer into inlet hose



Insert new flat washer (supplied) into the end of the inlet hose. Firmly seat the washer in the coupling.

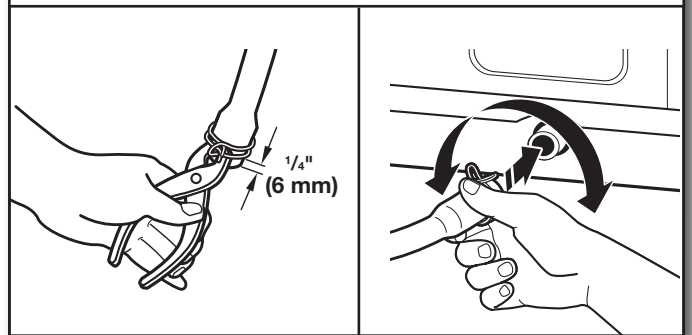
3. Connect fill hose



Attach the fill hose to the cold water (left) inlet valve. Tighten coupling by hand. Use pliers to make an additional 2/3 turn.

NOTE: Do not overtighten. Damage to the valves can result. Hot water (right) inlet valve is capped. Leave this valve capped.

4. Connect drain hose



To keep the fill-and-drain hose from leaking, it must be installed according to the following instructions.

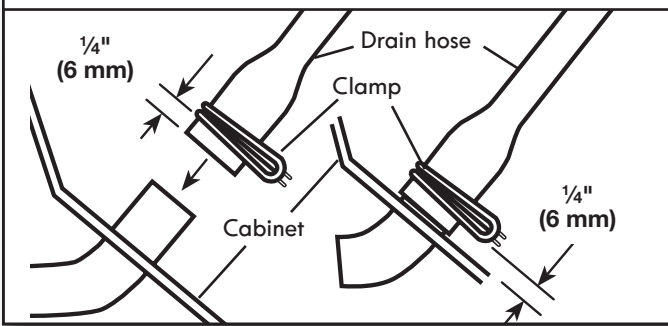
IMPORTANT: To ensure proper installation, this procedure must be followed exactly.

Remove permanent installation drain hose. Wet inside end of the drain hose with tap water.

IMPORTANT: Do not use any lubricant other than water.

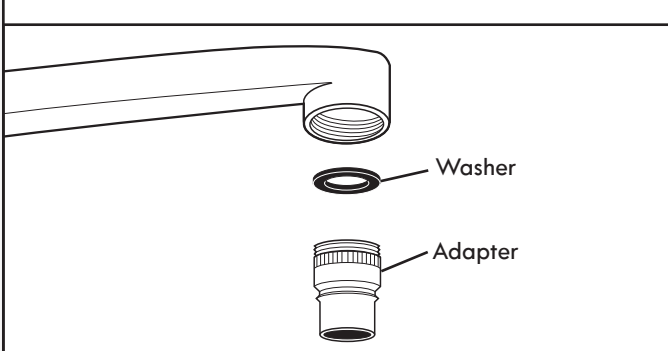
Squeeze ears of double-wire clamp with pliers to open. Place clamp over the straight end of the drain hose 1/4" (6 mm) from the end. Twist hose back and forth while pushing down onto drain connector at the bottom of the washer. Continue until hose contacts the cabinet.

5. Secure drain hose



Place clamp over area marked "CLAMP." Release clamp.

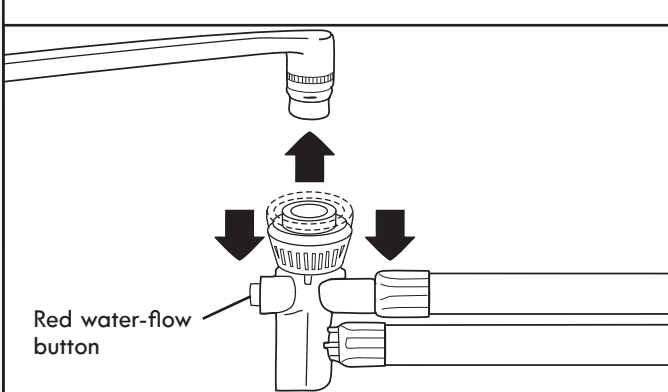
6. Attach faucet kit adapter to faucet



Proper connection of your faucet adapter kit will allow hot and cold water to enter your washer properly. It also helps avoid water damage due to leaks.

Attach the faucet adapter kit from the parts bag to your faucet. A standard faucet adapter and washer are supplied. Customized adapters are available from traditional plumbing supply sources.

7. Attach fill-and-drain hose connector to faucet



Roll washer to sink area. It rolls and operates on wheels. The wheels do not roll from side to side. Be sure your washer is on a level floor to help avoid movement during spin.

Attach fill-and-drain hose connector to a single-spout hot/cold water faucet. Move the locking collar down while lifting the connector until it snaps into place.

8. Set WASH TEMP to Cold

- Hot
- Warm
- Cold

CONTROL LOCK
●

Wash Temp

CONTROL LOCK
HOLD 3 SEC

Set the temperature setting on your washer to Cold. Set the water temperature for the Wash cycle by adjusting the Hot and Cold water faucets. The Hot and Warm settings are inactive with Portable Installation.

To test the water, press the red water-flow button on the hose connector. Water will be released when the button is pressed, allowing you to sample the temperature.

NOTE: If desired, you can change the water temperature for the Rinse cycle by adjusting the Hot and Cold water faucets. Keep the temperature setting on your washer set at Cold.

⚠ WARNING



Electrical Shock Hazard

Plug into a grounded 3 prong outlet.

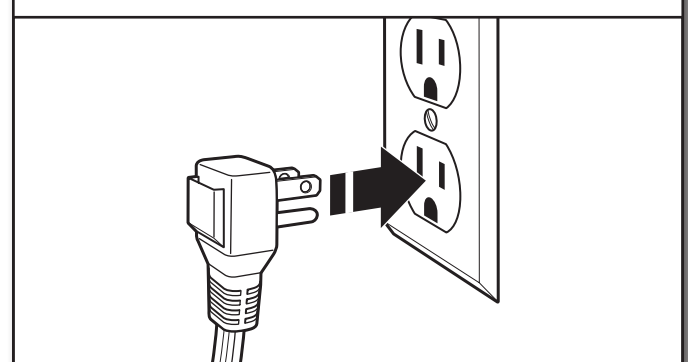
Do not remove ground prong.

Do not use an adapter.

Do not use an extension cord.

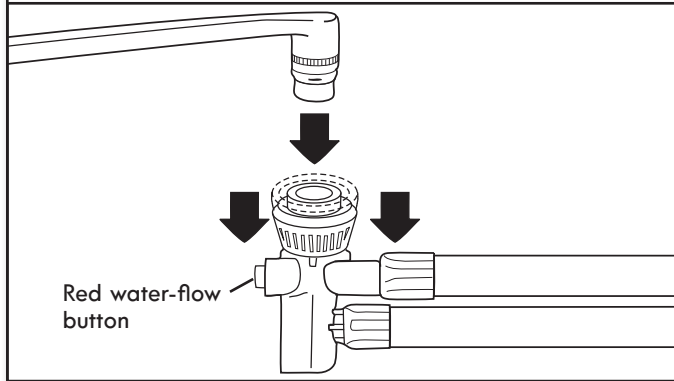
Failure to follow these instructions can result in death, fire, or electrical shock.

9. Plug into a grounded 3 prong outlet



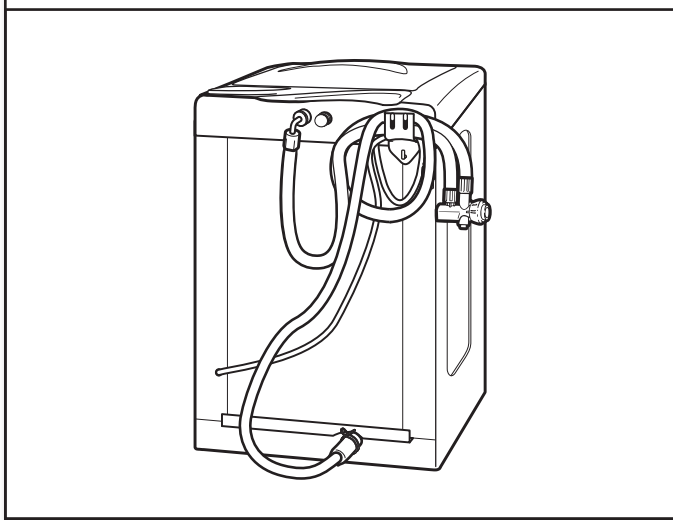
Disconnect Washer

1. Remove fill-and-drain hose connector from faucet



Turn off water faucets and unplug the power cord. Press the red water-flow button to release water pressure in the hose. Pull the locking collar down to remove the connector from the faucet.

2. Replace fill-and-drain hose on storage bracket



Pour water out of the fill-and-drain hose connector. Place fill-and-drain hose on the plastic holder in the back of the washer.

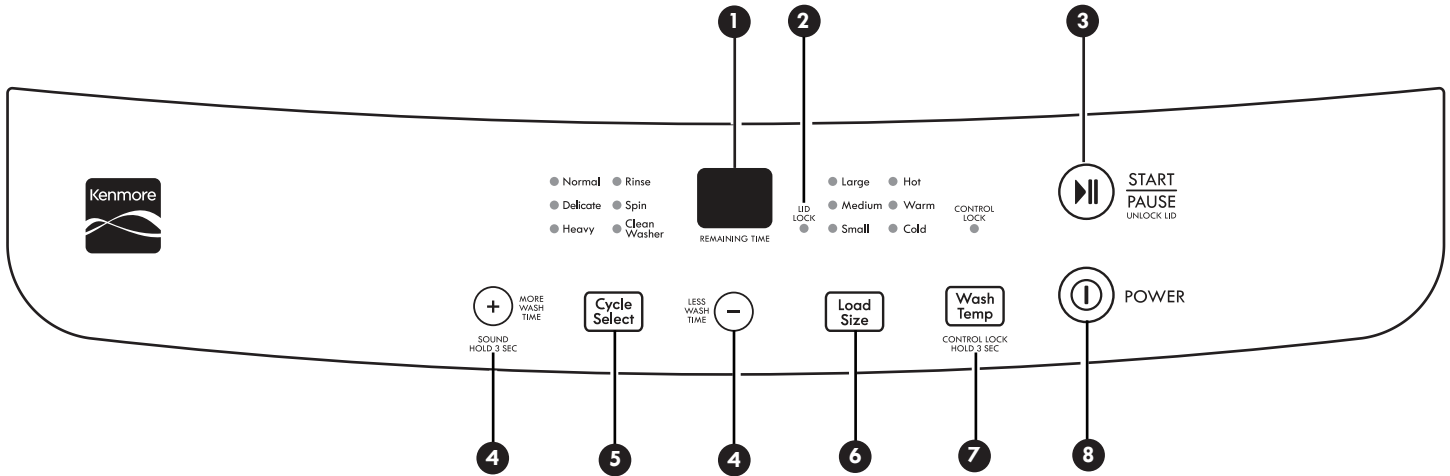
Complete Installation Checklist

- Check electrical requirements. Be sure you have correct electrical supply and recommended grounding method.
- Check that all parts are now installed. If there is an extra part, go back through steps to see what was skipped.
- Check that you have all of your tools.
- Check that shipping materials were completely removed from washer.
- Check that water faucets are on.
- Check for leaks around faucets and inlet hoses.

NOTE: If the washer is attached to a faucet equipped with a spray hose, the constant water pressure may cause the spray hose to leak. To avoid possible failure, the spray hose should be disconnected or replaced with a high-pressure hose.

- Remove protective film from console and any tape remaining on washer.
- Check that washer is plugged into a grounded 3 prong outlet.
- Dispose of/recycle all packaging materials.
- Read "Washer Maintenance."
- To test and clean your washer, measure $\frac{1}{2}$ of normal recommended amount of powdered or liquid detergent and pour it into washer basket or detergent dispenser (on some models). Close lid. Select any cycle. Start washer and allow to complete full cycle.

CONTROL PANEL AND FEATURES



1 LED TIME/STATUS DISPLAY

The Estimated Time Remaining display shows the time required for the cycle to complete. Factors such as load size and water pressure may affect the time shown in the display. Tightly packed loads, unbalanced loads, or excessive suds may cause the washer to adjust the cycle time as well.

2 LID LOCK LIGHT

The Lid Lock indicator lights up when the lid is locked and cannot be opened. If you need to open the lid, touch and hold START/PAUSE. The lid will unlock once the washer movement has stopped. This may take several minutes if the load was spinning at high speed. Press START/PAUSE again to restart the cycle.

3 START/PAUSE

After selecting a wash cycle, press START/PAUSE to start the cycle. Press once to pause a cycle. The flashing lights indicate the selected cycle and the current process.

4 CYCLE TIME (+ or -)

- Press “+” or “-” to adjust the duration of a wash cycle.
- Press “+” or “-” to adjust the duration of a spin cycle.
- LED display will show the time remaining for the cycle to complete.
- If an out-of-range adjustment is made, a buzzer will sound.

End-of-Cycle Signal

Press and hold the plus (+) button for 3 seconds to enable or disable the end-of-cycle signal.

5 CYCLE SELECT

Press CYCLE SELECT to select a wash cycle. Choose from Normal, Delicate, Heavy, Rinse, Spin, or Clean Washer.

NOTE: The washer will remember the last cycle used, with a default load size of Medium.

6 LOAD SIZE

Press to select the water level based on the amount of garments to wash.

When the Medium water level is selected with the Normal or Heavy cycle, the machine will sense the size of the load and adjust if required.

7 WASH TEMP

Select a wash temperature based on the type of fabric and soils being washed. For best results and following the garment label instructions, use the warmest wash water safe for your fabric.

For Portable Installations: If desired, you can change the water temperature for the Rinse cycle by adjusting the Hot and Cold water faucets. Keep the temperature setting on your washer set at Cold.

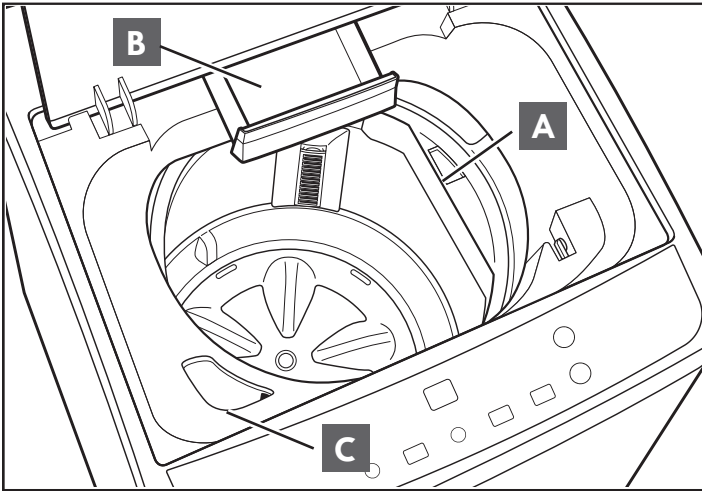
CONTROL LOCK

Press and hold WASH TEMP for 4 seconds to lock the controls. Press and hold for 4 seconds to unlock. You may still press POWER to turn the washer off.

8 POWER

Press POWER to turn the washer on or off. Press once while a cycle is running to stop the washer.

Dispensers



A Liquid fabric softener dispenser

Pour measured liquid fabric softener into the liquid fabric softener dispenser if desired. It will dispense automatically at the optimum time.

- Use only liquid fabric softener in this dispenser.

NOTE: The fabric softener dispenser rotates around the wash basket and may not be in the same spot each time.

B High Efficiency (HE) powdered detergent dispenser

Add only powdered HE detergent product to this dispenser for your main wash cycle.



Use only High Efficiency (HE) detergent.

NOTES:

- Follow the manufacturer's instructions to determine the amount of detergent to use.
- Add liquid HE detergent or single-dose packets to the basket prior to adding laundry.

C Liquid chlorine bleach dispenser

This dispenser holds up to $\frac{3}{4}$ cup (180 mL) liquid chlorine bleach. The bleach will be automatically diluted and dispensed at the optimum time during the Wash cycle. This dispenser cannot dilute powdered bleach.

NOTE: Fill dispenser with only liquid bleach.

Choosing the Right Detergent

Use only High Efficiency detergents. The package will be marked "HE" or "High Efficiency." Low-water washing creates excessive sudsing with a non-HE detergent. Using non-HE detergent will likely result in longer cycle times and reduced rinsing performance. It may also result in component failure and, over time, buildup of mold or mildew. HE detergents should be low-sudsing and quick-dispersing to produce the right amount of suds for the best performance. They should hold soil in suspension so it is not re-deposited onto clean clothes. Not all detergents labeled as High Efficiency are identical in formulation and their ability to reduce suds. For example, natural, organic, or homemade HE detergents may generate a high level of suds. Follow the manufacturer's instructions to determine the amount of detergent to use.

Cycle Guide

- Normal
- Rinse
- Delicate
- Spin
- Heavy
- Clean Washer

Cycle Select

This section describes the available wash cycles and will help you make the best cycle selections for your wash loads. Each cycle is designed for different types of fabric and soil levels. Always read and follow fabric care labels instructions to avoid damage to your items.

Normal

Use this cycle for normally soiled cottons and linens. Wash combines medium-speed agitation and high-speed spin to shorten drying time.

Delicate

Use this cycle for lingerie and loosely knit items. Wash combines low-speed agitation for gentle soil removal and high-speed spin to shorten drying time.

Heavy

Use this cycle for sturdy or heavily soiled loads. Wash combines high-speed agitation and high-speed spin for maximum soil removal.

Rinse

Use this cycle for additional rinsing of the washer load or hand-washed items.

Spin

Use this cycle to remove excess water from the washer load or hand-washed items.

Clean Washer

Use this cycle every 30 washes to keep the inside of your washer fresh and clean. This cycle uses a higher water level. Use with washer cleaner tablet or liquid chlorine bleach to thoroughly clean the inside of your washer. This cycle should not be interrupted.

IMPORTANT: Do not place garments or other items in the washer during the Clean Washer cycle. Use this cycle with an empty washtub.

End-of-Cycle Signal

The End-of-Cycle signal may be turned on and off by pressing and holding the Cycle "+" button for 3 seconds.



USING YOUR WASHER

⚠ WARNING



Fire Hazard

Never place items in the washer that are dampened with gasoline or other flammable fluids.

No washer can completely remove oil.

Do not dry anything that has ever had any type of oil on it (including cooking oils).

Doing so can result in death, explosion, or fire.

⚠ WARNING



Electrical Shock Hazard

Plug into a grounded 3 prong outlet.

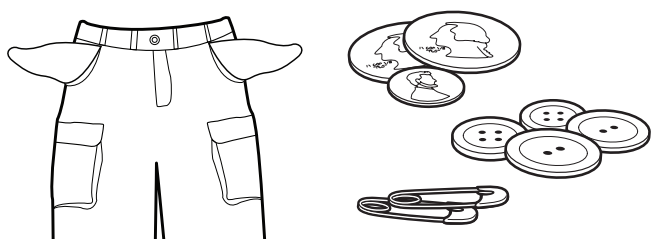
Do not remove ground prong.

Do not use an adapter.

Do not use an extension cord.

Failure to follow these instructions can result in death, fire, or electrical shock.

1. Sort and prepare your laundry



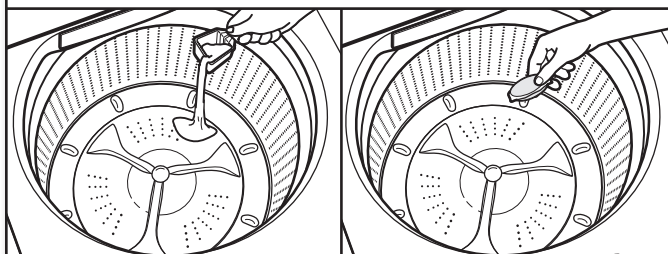
- Empty pockets. Loose change, buttons, or any small object can pass under the washplate and become trapped, causing unexpected sounds.
- Sort items by recommended cycle, water temperature, and colorfastness.
- Separate heavily soiled items from lightly soiled.
- Separate delicate items from sturdy fabrics.
- Do not dry items if stains remain after washing; heat can set stains into fabric.
- Treat stains promptly.
- Close zippers, fasten hooks, tie strings, and sashes. Remove non-washable trim and ornaments.
- Mend rips and tears to avoid further damage to items during washing.

Helpful Tips:

- For best performance, use HE liquid detergent when washing bulky items.
- Use mesh bags to help avoid tangling when washing delicate or small items.
- Turn knits inside out to avoid pilling. Separate lint-takers from lint-givers. Synthetics, knits, and corduroy fabrics will pick up lint from towels, rugs, and chenille fabrics.

NOTE: Always read and follow fabric care labels instructions to avoid damage to your items.

2. Add laundry products

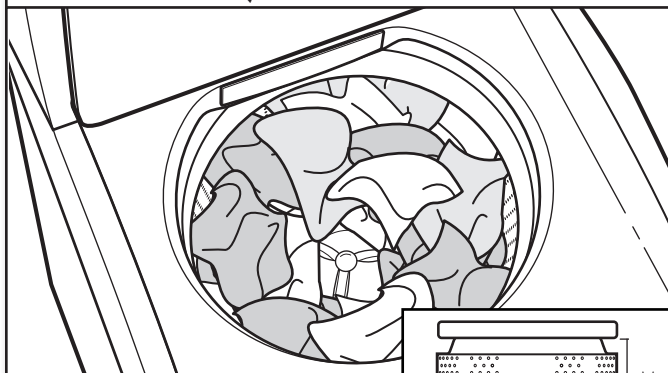


IMPORTANT: If you are using the Compact Dryer Stack Stand (Part Number 49971), pull the washer forward before lifting the washer lid. Do not permanently install the washer in the Compact Dryer Stack Stand – doing so will prevent you from raising the washer lid.

If you are using liquid laundry detergent, single-dose laundry packets, color-safe bleach, Oxi-type boosters, or fabric softener crystals, add to the wash basket prior to adding laundry.

NOTE: Always follow manufacturer's instructions.

3. Load laundry into washer



For best performance, load items in loose heaps evenly around the washplate. Try mixing different-sized items to reduce tangling.

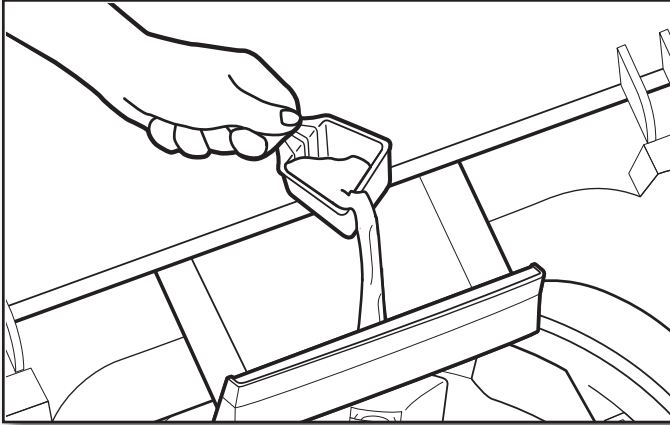
IMPORTANT: Items need to move freely for best cleaning and to reduce wrinkling and tangling.

NOTE: The maximum volume is about 1.52 cubic ft. (4.4 lb max. load size per cubic ft.).

Using Laundry Product Dispensers

NOTE: Do not add liquid laundry detergent, single-dose laundry packets, color-safe bleach, Oxi-type boosters, or fabric softener crystals to dispensers. They will not dispense correctly. Add to the basket prior to adding laundry.

4. Add powdered HE detergent

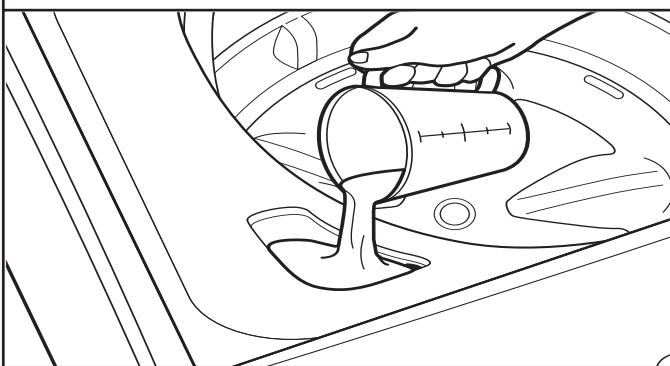


IMPORTANT: Use only High Efficiency detergents. The package will be marked “HE” or “High Efficiency.” Low-water washing creates excessive sudsing with a non-HE detergent. Using non-HE detergent will likely result in longer cycle times and reduced rinsing performance. It may also result in component failure and, over time, buildup of mold or mildew. HE detergents should be low-sudsing and quick-dispersing to produce the right amount of suds for the best performance. They should hold soil in suspension so it is not re-deposited onto clean clothes. Not all detergents labeled as High Efficiency are identical in formulation and their ability to reduce suds. For example, natural, organic, or homemade HE detergents may generate a high level of suds. Follow the manufacturer’s instructions to determine the amount of detergent to use.

NOTES:

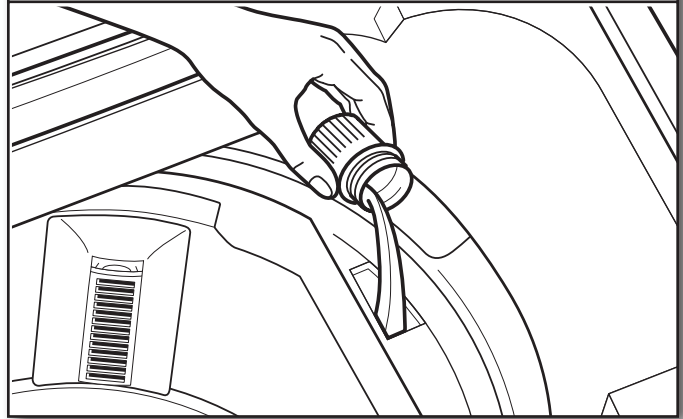
- Use only powdered HE detergent in the detergent dispenser. Add liquid HE detergent or single-dose packets to the basket prior to adding laundry.
- See “Washer Maintenance” for information on recommended method of cleaning washer dispensers.

5. Add liquid chlorine bleach to dispenser



Bleach will be dispensed automatically during the wash part of the cycle. Do not overfill, dilute, or use more than 1 cup (250 mL). Do not use color-safe bleach or Oxi products in the same cycle with liquid chlorine bleach.

6. Add liquid fabric softener



Pour a measured amount of liquid fabric softener into dispenser; always follow manufacturer’s directions for correct amount of fabric softener based on your load size. Fabric softener is added during rinse.

IMPORTANT: Do not overfill or dilute. Overfilling dispenser will cause fabric softener to immediately dispense into washer. It is normal for a small amount of water to remain in the dispenser at the end of a cycle.

NOTE: The fabric softener dispenser rotates around the wash basket and may not be in the same spot each time.

7. Touch POWER to turn on washer



Close the washer lid. Washer will not fill, agitate, or spin with the lid open. Make sure the dispenser drawer is closed completely, then touch POWER to turn on the washer.

8. Select load size

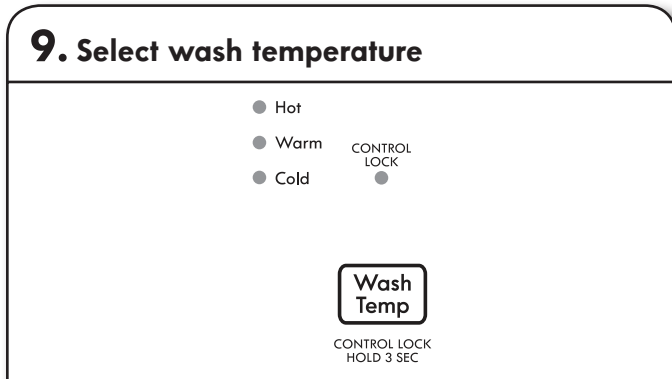
- Large
- Medium
- Small



Press the Load Size button to select the correct setting for your wash load and the type of fabric being washed. Choose a water level that allows the load to move freely for best fabric care.

When Medium is selected with the Normal or Heavy cycles, the washer will sense the size of the load and adjust the amount of water required.

You may change the load size setting while the washer is filling. If you change from Large to Medium but the water has filled past Medium, you will get Medium with the next fill.



Set the water temperature for the type of fabric and soils being washed. Use the warmest wash water safe for fabric. Follow garment label instructions.

For Portable Installations

Open the faucets connected to the water supply hoses. Wash and Rinse water temperatures are set at your faucet. The Temperature control does not set the temperature. Adjust the Hot and Cold water faucets to desired wash temperature. Keep the temperature control set at Cold.

NOTE: The Cold setting allows water from the faucet to enter the washer, but does not control the incoming water temperature.

For a rinse temperature that is different from the wash temperature, you must adjust the water temperature at the faucet after the washer has completed its initial fill.

To test the water temperature, press the red water-flow button on the hose connector. Water will be released when the button is pressed, allowing you to sample the temperature.

For Permanent Installations

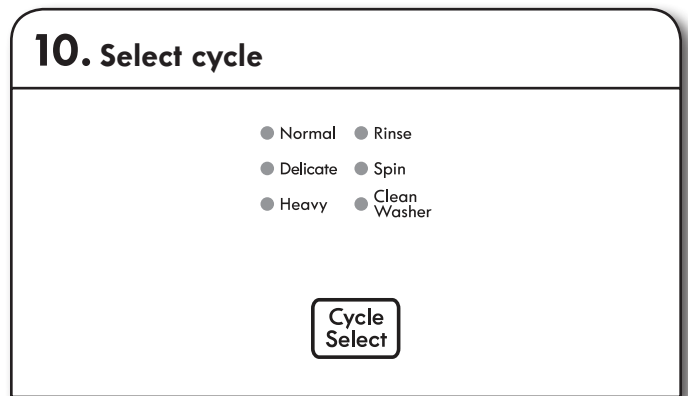
The Rinse and Spin cycles default to a cold rinse, all other cycles default to a warm rinse. Press the Wash Temp button to choose a different wash temperature.

Selecting Water Temperatures

NOTE: Always read and follow fabric care label instructions to avoid damage to your items.

Water Temperature	Suggested Fabrics
Hot	Whites and pastels Durable items Heavy soils
Warm	Bright colors Moderate to light soils
Cold	Colors that bleed or fade Light soils

NOTE: In wash water temperatures colder than 60°F (15.6°C), detergents do not dissolve well. Soils can be difficult to remove. Some fabrics can retain wear wrinkles and have increased pilling (the formation of small lint-like balls on the surface of garments).



Press the Cycle Select button to select your wash cycle. See “Cycle Guide” for details on cycle features.



Press START/PAUSE to start the wash cycle. When the cycle has finished, the end-of-cycle signal will sound (if set). Promptly remove items when cycle is done to avoid odor, reduce wrinkling, and avoid rusting of metal hooks, zippers, and snaps.

Unlocking the lid to add items

If you need to open the lid to add 1 or 2 missed items:

Press START/PAUSE to pause washer; the lid will unlock once the washer movement has stopped. This may take several minutes if the load was spinning at a high speed. Then close lid and press START/PAUSE again to restart the cycle.

To stop or restart your washer:

- To stop the washer at any time, press START/PAUSE and the cycle will pause.
- To restart the washer, press START/PAUSE and the cycle will resume.

WASHER MAINTENANCE

Water inlet hoses

Replace inlet hoses after 5 years of use to reduce the risk of hose failure. Periodically inspect and replace inlet hoses if bulges, kinks, cuts, wear, or leaks are found.

When replacing your inlet hoses, mark the date of replacement on the label with a permanent marker.

Washer care

Recommendations to Help Keep Your Washer Clean and Performing at Its Best

1. Always use High Efficiency (HE) detergents and follow the HE detergent manufacturer's instructions regarding the amount of HE detergent to use. Never use more than the recommended amount because that may increase the rate at which detergent and soil residue accumulate inside your washer which, in turn, may result in undesirable odor.
2. Use warm and hot wash water settings sometimes (not exclusively cold water washes) because they do a better job of controlling the rate at which soils and detergent accumulate.
3. Always leave the washer lid open between uses to help dry out the washer and prevent the buildup of odor-causing residue.

Cleaning Your Top Loading Washer

Read these instructions completely before beginning the routine cleaning processes recommended below. This Clean Washer cycle should be performed, at a minimum, once per month or every 30 wash cycles, whichever occurs sooner, to control the rate at which soils and detergent may otherwise accumulate in your washer.

Cleaning the Inside of the Washer

To keep your washer odor-free, follow the usage instructions provided above and use this recommended monthly cleaning procedure:

Clean Washer Cycle

This washer has a special cycle that uses higher water volumes in combination with a Washer Cleaner or liquid chlorine bleach to clean the inside of the washer.

Begin procedure

1. Washer Cleaner Cycle Procedure (Recommended for Best Performance):

- a. Open the washer lid and remove any clothing or items.
- b. Place a Washer Cleaner tablet in the bottom of the washer basket.
- c. Do not place a Washer Cleaner tablet in the detergent dispenser.
- d. Do not add any detergent or other chemical to the washer when following this procedure.
- e. Close the washer lid.
- f. Select the Clean Washer cycle.
- g. Press START/PAUSE to begin the cycle. The Clean Washer Cycle Operation is described below.

NOTE: For best results, do not interrupt cycle. If cycle must be interrupted, press POWER. (For models with no Power/Cancel button, press and hold START/PAUSE for 3 seconds). After the Clean Washer cycle has stopped, run a Rinse cycle to rinse cleaner from washer.

Washer care (cont.)

2. Chlorine Bleach Procedure (Alternative):

- a. Open the washer lid and remove any clothing or items.
- b. Add 1 cup (236 mL) of liquid chlorine bleach to the bleach compartment.

NOTE: Use of more liquid chlorine bleach than is recommended above could cause washer damage over time.

- c. Close the washer lid.
- d. Do not add any detergent or other chemical to the washer when following this procedure.
- e. Select the Clean Washer cycle.
- f. Press START/PAUSE to begin the cycle. The Clean Washer Cycle Operation is described below.

NOTE: For best results, do not interrupt cycle. If cycle must be interrupted, press POWER. (For models with no Power button, press and hold START/PAUSE for 3 seconds). After the Clean Washer cycle has stopped, run a Rinse cycle to rinse cleaner from washer.

Description of Clean Washer Cycle Operation:

1. This cycle will fill to a water level higher than in normal wash cycles to provide rinsing at a level above the water line for normal wash cycle.
2. During this cycle, there will be some agitation and spinning to increase the removal of soils.

After this cycle is complete, leave the lid open to allow for better ventilation and drying of the washer interior.

Cleaning the Dispensers

After a period of using your washer, you may find some residue buildup in the washer's dispensers. To remove residue from the dispensers, wipe them with a damp cloth and towel dry. Do not attempt to remove the dispensers or trim for cleaning. The dispensers and trim are not removable. If your model has a dispenser drawer, however, remove the drawer and clean it before or after you run the Clean Washer cycle. Use an all-purpose surface cleaner, if needed.

Cleaning the Outside of the Washer

Use a soft, damp cloth or sponge to wipe away any spills. Use only mild soaps or cleaners when cleaning external washer surfaces.

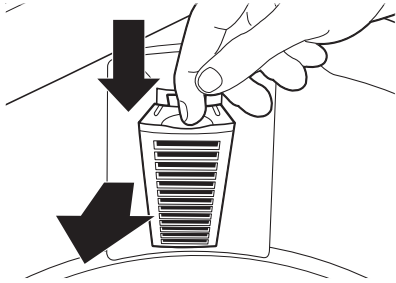
IMPORTANT: To avoid damaging the washer's finish, do not use abrasive products.

Washer care (cont.)

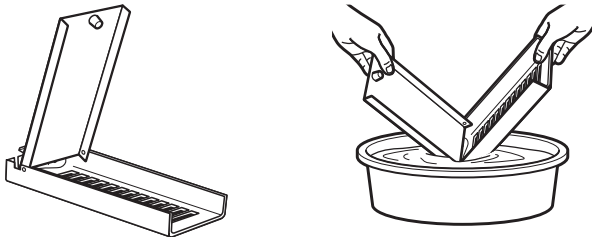
Cleaning The Lint Filter

Clean filter after every load.

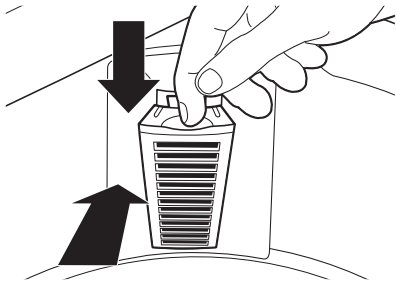
1. Press down, then out to remove the lint filter.



2. Open the lint filter and clean with water.



3. Insert the lint filter bottom first, then press down and in to replace the filter.



Transporting your washer

1. Shut off both water faucets. Disconnect and drain water inlet hoses.
2. If washer will be moved during freezing weather, follow WINTER STORAGE CARE directions before moving.
3. Disconnect drain hose from drain system and from back of washer.
4. Unplug power cord.
5. Place inlet hoses and drain hose inside washer drum.
6. Bundle power cord with a rubber band or cable tie to keep it from hanging onto the ground.

Non-use and vacation care

Operate your washer only when you are home. If moving, or not using your washer for a period of time, follow these steps:

1. Unplug or disconnect power to washer.
2. Turn off water supply to washer to avoid flooding due to water pressure surges.
3. Clean the dispensers. See "Cleaning the Dispensers."

Winter storage care

IMPORTANT: To avoid damage, install and store washer where it will not freeze. Because some water may stay in hoses, freezing can damage washer. If storing or moving during freezing weather, winterize your washer.

To winterize washer:

1. Shut off both water faucets; disconnect and drain water inlet hoses.
2. Put 1 qt. (1 L) of R.V.-type antifreeze in washer drum and run washer on Normal cycle for about 2 minutes to mix antifreeze and remaining water.
3. Unplug washer or disconnect power.

⚠ WARNING



Electrical Shock Hazard

Plug into a grounded 3 prong outlet.

Do not remove ground prong.

Do not use an adapter.

Do not use an extension cord.

Failure to follow these instructions can result in death, fire, or electrical shock.

Reinstalling/using washer again

To reinstall washer after non-use, vacation, winter storage, or moving:

1. Refer to Installation Instructions to locate, level, and connect washer.
2. Before using again, run washer through the following recommended procedure:

To use washer again:

1. Flush water pipes and hoses. Reconnect water inlet hoses. Turn on both water faucets.
2. Plug in washer or reconnect power.
3. Run washer through Heavy cycle to clean washer and remove antifreeze, if used. Use only HE detergent. Use half the manufacturer's recommended amount for a medium-size load.

TROUBLESHOOTING

First try the solutions suggested here for assistance and to possibly avoid a service call.


If you experience	Possible Causes	Solution
Vibration or Off-Balance		
Vibration, rocking, or "walking"	Feet may not be in contact with the floor and locked.	Front and rear feet or wheels must be in firm contact with floor and washer must be level to operate properly.
	Washer may not be level.	Check floor for flexing or sagging. If flooring is uneven, a 3/4" (19 mm) piece of plywood under your washer will reduce sound. See "Level the Washer" in the Installation Instructions.
Vibration during spinning or washer stopped	Load could be unbalanced.	Load items in loose heaps evenly around the washplate. Adding wet items to washer or adding more water to basket could unbalance washer.
		Avoid washing single items. Balance a single item such as a rug or jeans jacket with a few extra items. Redistribute the load, close the lid, and press START/PAUSE.
		Item or load not suitable for selected cycle. See "Cycle Guide" and "Using Your Washer."
Noises		
Clicking or metallic noises	Objects may be caught in washer drain system.	Empty pockets before washing. Loose items such as coins could fall between basket and tub or may block pump. It may be necessary to call for service to remove items.
		It is normal to hear metal items on clothing such as metal snaps, buckles, or zippers touch against the stainless steel basket.
Gurgling or humming	Washer may be draining water.	It is normal to hear the pump making a continuous humming sound with periodic gurgling or surging as final amounts of water are removed during the spin/drain cycles.
Humming	Load sensing may be occurring.	You may hear the hum of the sensing spins after you have started the washer. This is normal.
Whirring	Basket may be slowing down.	You may hear the whirring sound of the basket slowing down. This is normal.
Water Leaks		
Check the following for proper installation:	Washer not level.	Water may splash off basket if washer is not level.
	Fill hoses not attached tightly.	Tighten fill-hose connection.
	Fill hose washers.	Make sure fill hose flat washers are properly seated.
	Drain hose connection.	Properly secure drain hose to drainpipe or laundry tub.
		Do not place tape over drain opening.
	Check household plumbing for leaks or clogged sink or drain.	Water can back up out of a clogged sink or drainpipe. Check all household plumbing for leaks (laundry tubs, drain pipe, water pipes, and faucets).
Washer not loaded as recommended.	An unbalanced load can cause basket to be out of alignment and cause water to splash off tub. See "Using Your Washer" for loading instructions.	
Washer not performing as expected		
Not enough water in washer	Load not completely covered in water.	This is normal operation for an HE low-water washer. The load will not be completely underwater. The washer senses load sizes and adds correct amount of water for optimal cleaning. IMPORTANT: Do not add more water to washer. Adding water lifts the items off the washplate, resulting in less effective cleaning.
		Run Clean Washer cycle to optimize the water level and wash performance.

TROUBLESHOOTING

First try the solutions suggested here for assistance and to possibly avoid a service call.

If you experience	Possible Causes	Solution
Washer not performing as expected (cont.)		
Washer won't run or fill; washer stops working	Check for proper water supply.	Hose(s) must be attached and have water flowing to inlet valve.
		Water faucet(s) must be turned on.
		Check that inlet valve screens have not become clogged.
		Check for any kinks in inlet hoses, which can restrict water flow.

⚠ **WARNING**



Electrical Shock Hazard

- Plug into a grounded 3 prong outlet.**
- Do not remove ground prong.**
- Do not use an adapter.**
- Do not use an extension cord.**

Failure to follow these instructions can result in death, fire, or electrical shock.

Washer won't run or fill, washer stops working (cont.)	Check for proper electrical supply.	Plug power cord into a grounded 3 prong outlet.
		Do not use an extension cord.
		Ensure there is power to outlet.
		Reset a tripped circuit breaker. Replace any blown fuses. NOTE: If problems continue, contact an electrician.
	Normal washer operation.	Lid must be closed for washer to run.
		Washer will pause during certain phases of cycle. Do not interrupt cycle.
		Washer may be stopped to reduce suds.
	Washer may be tightly packed.	Remove several items; rearrange load evenly around the washplate. Close lid; press START/PAUSE.
		Add only 1 or 2 additional items after washer has started.
		Do not add more water to the washer.
	Not using HE detergent or using too much HE detergent.	Only use HE detergent. Suds from regular detergents can slow or stop the washer. Always measure detergent and follow detergent directions based on your load requirements.
		To remove suds, cancel cycle. Select RINSE, then SPIN. Do not add more detergent.
Washer not draining/spinning, loads are still wet	Small items may have been caught in pump or between basket and tub, which can slow draining.	Empty pockets and use garment bags for small items.
	Using cycles with a lower spin speed.	Cycles with lower spin speeds remove less water than cycles with high spin speeds. Use the recommended cycle/speed spin for your item.
	Washer may be tightly packed or unbalanced.	Tightly packed loads may not allow the washer to spin correctly, leaving the load wetter than normal. Evenly arrange the wet load for balanced spinning. Select SPIN to remove excess water. See "Using Your Washer" for loading recommendations.

TROUBLESHOOTING

First try the solutions suggested here for assistance and to possibly avoid a service call.

If you experience	Possible Causes	Solution
Washer not performing as expected (cont.)		
Washer not draining/ spinning, loads are still wet (cont.)	Load off-balanced.	See “Vibration or Off-Balance” in “Troubleshooting” section for more information.
	Check plumbing for correct drain hose installation. Drain hose extends into standpipe farther than 4.5" (114 mm).	Check drain hose for proper installation. Use drain hose form and securely attach to drainpipe or tub. Do not tape over drain opening. Lower drain hose if the end is higher than 72" (183 cm) above the floor. Remove any clogs from drain hose.
	Not using HE detergent or using too much HE detergent.	Suds from regular detergent or using too much detergent can slow or stop draining or spinning. Use only HE detergent. Always measure and follow detergent directions for your load. To remove extra suds, select RINSE. Do not add detergent.
Incorrect or wrong wash or rinse temperatures	Check for proper water supply.	For permanent installations, make sure that hot and cold inlet hoses are not reversed. For portable installations, adjust water temperature at faucet.
		For permanent installations, both hoses must be attached to both washer and faucet and have both hot and cold water flowing to inlet valve.
		Check that inlet valve screens are not clogged.
		Remove any kinks in hoses.
Load not rinsed	Check for proper water supply.	For permanent installations, make sure hot and cold inlet hoses are not reversed.
		Hoses must be attached and have water flowing to the inlet valves or faucet.
		For permanent installations, both hot and cold water faucets must be on. For portable installations, sink faucet must be on.
		Inlet valve screens on washer may be clogged.
		Remove any kinks in the inlet hose.
	Not using HE detergent or using too much HE detergent.	The suds from regular detergent can cause the washer to operate incorrectly.
		Use only HE detergent. Be sure to measure correctly.
		Always measure detergent and follow detergent directions based on load size and soil level.
	Washer may be tightly packed.	The washer is less efficient at rinsing when load is tightly packed.
		Load items in loose heaps evenly around the washplate.
Use cycle designed for the fabrics being washed.		
Add only 1 or 2 additional items after washer has started.		
Sand, pet hair, lint, etc., on load after washing	Heavy sand, pet hair, lint, and detergent or bleach residues may require additional rinsing.	Run an additional Rinse cycle.
Load is tangling	Washer not loaded as recommended.	Load items in loose heaps evenly around the washplate.
		Reduce tangling by mixing types of load items. Use the recommended cycle for the type of items being washed.
Not cleaning or removing stains	Wash load not completely covered in water.	Washer senses load size and adds correct amount of water. This is normal and necessary for clothes to move.
	Added more water to washer.	Do not add more water to washer. Adding water lifts the items off the washplate, resulting in less effective cleaning.
	Washer not loaded as recommended.	Load items in loose heaps evenly around the washplate.
Add only 1 or 2 additional items after washer has started.		

TROUBLESHOOTING

First try the solutions suggested here for assistance and to possibly avoid a service call.

If you experience	Possible Causes	Solution
Washer not performing as expected (cont.)		
Not cleaning or removing stains (cont.)	Not using HE detergent or using too much HE detergent.	The suds from regular detergent can keep washer from operating correctly.
		Use only HE detergent. Be sure to measure correctly.
		Always measure detergent and follow detergent directions based on load size and soil level.
	Not using correct cycle for fabric type.	Use a higher soil level cycle option and warmer wash temperature to improve cleaning.
		Use Heavy cycle for tough cleaning.
		See the "Cycle Guide" to match your load with the best cycle.
	Not using dispensers.	Use dispensers to avoid chlorine bleach and fabric softener staining.
		Load dispensers before starting a cycle.
		Avoid overfilling.
		Do not add products directly onto load.
Not washing like colors together.	Wash like colors together and remove promptly after the cycle is complete to avoid dye transfer.	
Odors	Monthly maintenance not done as recommended.	Run the Clean Washer cycle after every 30 washes. See "Washer Care."
		Unload washer as soon as cycle is complete.
	Not using HE detergent or using too much HE detergent.	Use only HE detergent. Be sure to measure correctly.
		Always follow the detergent directions.
		See "Washer Care" section.
Fabric damage	Sharp items were in pockets during wash cycle.	Empty pockets, zip zippers, and snap or hook fasteners before washing to avoid snags and tears.
	Strings and straps could have tangled.	Tie all strings and straps before starting wash load.
	Items may have been damaged before washing.	Mend rips and broken threads in seams before washing.
	Fabric damage can occur if the load is tightly packed.	Load items in loose heaps evenly around washplate.
		Load items should move freely during wash to avoid damage.
		Use cycle designed for the fabrics being washed.
		Add only 1 or 2 additional items after washer has started.
	Garment care instructions may not have been followed.	Always read and follow garment manufacturer's care label instructions. See the "Cycle Guide" to match your load with the best cycle.
	Liquid chlorine bleach may have been added incorrectly.	Do not pour liquid chlorine bleach directly onto load. Wipe up bleach spills.
		Undiluted bleach will damage fabrics. Do not use more than recommended by manufacturer.
		Do not place load items on top of bleach dispenser when loading and unloading washer.

TROUBLESHOOTING

First try the solutions suggested here for assistance and to possibly avoid a service call.

If you experience	Possible Causes	Solution
Washer not performing as expected (cont.)		
Incorrect dispenser operation	Clogged dispensers or laundry products dispensing too soon.	Do not overfill dispenser. Overfilling causes immediate dispensing.
		Load dispensers before starting a cycle.
		It is normal for small amounts of water to remain in dispenser at the end of the cycle.
		Fabric softener thickens as it gets older. If there is an increase of fabric softener in the dispenser after a cycle, check the age of the fabric softener and replace if needed.
		Homes with low water pressure may result in residual powder in the dispenser. To avoid, select a warmer wash temperature if possible, depending on your load. Do not use single-dose laundry packets in the dispenser. They may not dissolve properly and clog the dispenser.
	Liquid chlorine bleach not used in dispenser.	Use only liquid chlorine bleach in the bleach dispenser.
Powdered detergent not dissolving completely in load	Using too much HE detergent.	Follow the manufacturer's instructions to determine the amount of detergent to use.
	Water temperature is very cold.	Select a warmer wash temperature.
		Try adding the detergent to the basket prior to adding laundry, rather than using the detergent dispenser.
Single-dose laundry packet not dissolving	Adding laundry packet incorrectly.	Be sure laundry packet is added to washer basket before adding clothes. Follow the manufacturer's instructions to avoid damage to your items.
Error Code Appears in Display		
E1 – Water inlet alarm	Water level not reached after 20 minutes.	Check that the water faucets are not closed.
		Check that the water pressure in the house is over 3 psi (20kPa).
		Clean the inlet hose filter screens.
		Check that the drain hose is not below 39" (990 mm) from the floor.
E2 – Draining alarm	Washer is still detecting water after draining for 8 minutes.	Check that the drain hose is not more than 72" (183 cm) from the floor.
		Remove any clogs from the drain hose.
E3 – Unbalanced alarm	Washer may be tightly packed or clothes are not evenly distributed.	Remove several items, rearrange load evenly around the washplate, and restart the spin cycle.
E4 – Open lid alarm	Opening the lid during the Spin cycle.	Close the lid.
EA or EC – Other errors	Other	Call for technical assistance. (See the back cover.)

PROTECTION AGREEMENTS

Master Protection Agreements

Congratulations on making a smart purchase. Your new Kenmore® product is designed and manufactured for years of dependable operation.

But like all products, it may require preventive maintenance or repair from time to time. That's when having a Master Protection Agreement can save you money and aggravation.

The Master Protection Agreement also helps extend the life of your new product. Here's what the Agreement* includes:

Parts and labor needed to help keep products operating properly **under normal use**, not just defects. Our coverage goes **well beyond the product warranty**. No deductibles, no functional failure excluded from coverage—**real protection**.

Expert service by a force of more than 10,000 **authorized Sears service technicians**, which means someone you can trust will be working on your product.

Unlimited service calls and nationwide service, as often as you want us, whenever you want us.

Replacement of your covered product if four or more product failures occur within twelve months.

Product replacement if your covered product can't be fixed.

Annual Preventive Maintenance Check at your request — no extra charge.

Fast help by phone — we call it **Rapid Resolution** — phone support from a Sears representative on all products. Think of us as a "talking owner's manual."

Power surge protection against electrical damage due to power fluctuations.

Rental reimbursement if repair of your covered product takes longer than promised.

25% discount off the regular price of any non-covered repair service and related installed parts.

Once you purchase the Agreement, a simple phone call is all that it takes for you to schedule service. You can call anytime day or night, or schedule a service appointment online.

The Master Protection Agreement is a risk free purchase. If you cancel for any reason during the product warranty period, we will provide a full refund. Or, a prorated refund anytime after the product warranty period expires. Purchase your Master Protection Agreement today! **Some limitations and exclusions apply. For prices and additional information in the U.S.A., call 1-800-827-6655. *Coverage in Canada varies on some items. For full details, call Sears Canada at 1-800-361-6665.**

Sears Installation Service

For Sears professional installation of home appliances, garage door openers, water heaters, and other major home items, in the U.S.A. call **1-844-553-6667** or in Canada call **1-800-469-4663**.

KENMORE APPLIANCE WARRANTY

KENMORE LIMITED WARRANTY

FOR ONE YEAR from the date of sale this appliance is warranted against defects in material or workmanship when it is correctly installed, operated, and maintained according to all supplied instructions.

WITH PROOF OF SALE, a defective appliance will receive free repair or replacement at option of seller.

For warranty coverage details to obtain free repair or replacement, visit the web page: www.kenmore.com/warranty.

This warranty applies for only 90 DAYS from the sale date in the United States, and is void in Canada, if this appliance is ever used for other than private household purposes.

This warranty covers ONLY defects in material and workmanship, and will NOT pay for:

1. Expendable items that can wear out from normal use, including but not limited to filters, belts, bags, or screw-in base light bulbs.
2. A service technician to clean or maintain this appliance, or to instruct the user in correct appliance installation, operation, and maintenance.
3. Service calls to correct appliance installation not performed by Sears authorized service agents, or to repair problems with house fuses, circuit breakers, house wiring, and plumbing or gas supply systems resulting from such installation.
4. Damage to or failure of this appliance resulting from installation not performed by Sears authorized service agents, including installation that was not in accord with electrical, gas, or plumbing codes.
5. Damage to or failure of this appliance, including discoloration or surface rust, if it is not correctly operated and maintained according to all supplied instructions.
6. Damage to or failure of this appliance, including discoloration or surface rust, resulting from accident, alteration, abuse, misuse or use for other than its intended purpose.

7. Damage to or failure of this appliance, including discoloration or surface rust, caused by the use of detergents, cleaners, chemicals, or utensils other than those recommended in all instructions supplied with the product.

8. Damage to or failure of parts or systems resulting from unauthorized modifications made to this appliance.

9. Service to an appliance if the model and serial plate is missing, altered, or cannot easily be determined to have the appropriate certification logo.

DISCLAIMER OF IMPLIED WARRANTIES; LIMITATION OF REMEDIES

Customer's sole and exclusive remedy under this limited warranty shall be product repair or replacement as provided herein. Implied warranties, including warranties of merchantability or fitness for a particular purpose, are limited to one year or the shortest period allowed by law. Seller shall not be liable for incidental or consequential damages. Some states and provinces do not allow the exclusion or limitation of incidental or consequential damages, or limitation on the duration of implied warranties of merchantability or fitness, so these exclusions or limitations may not apply to you.

This warranty applies only while this appliance is used in the United States or Canada*.

This warranty gives you specific legal rights, and you may also have other rights which vary from state to state.

* In-home repair service is not available in all Canadian geographical areas, nor will this warranty cover user or servicer travel and transportation expenses if this product is located in a remote area (as defined by Sears Canada Inc.) where an authorized servicer is not available.

**Sears Brands Management Corporation
Hoffman Estates, IL 60179**

**Sears Canada Inc.
Toronto, Ontario, Canada M5B 2C3**

Índice

SEGURIDAD DE LA LAVADORA.....	27	CUIDADO DE LA LAVADORA.....	44
REQUISITOS DE INSTALACIÓN.....	29	SOLUCIÓN DE PROBLEMAS.....	47
INSTRUCCIONES DE INSTALACIÓN PERMANENTE.....	32	CONTRATOS DE PROTECCIÓN.....	52
INSTRUCCIONES PARA LA INSTALACIÓN PORTÁTIL.....	36	GARANTÍA.....	52
PANEL DE CONTROL Y CARACTERÍSTICAS.....	39	AYUDA O SERVICIO TÉCNICO.....	Contraportada
USO DE LA LAVADORA.....	41		

SEGURIDAD DE LA LAVADORA

Su seguridad y la seguridad de los demás es muy importante.

Hemos incluido muchos mensajes importantes de seguridad en este manual y en su electrodoméstico. Lea y obedezca siempre todos los mensajes de seguridad.



Este es el símbolo de advertencia de seguridad.

Este símbolo le llama la atención sobre peligros potenciales que pueden ocasionar la muerte o una lesión a usted y a los demás.

Todos los mensajes de seguridad irán a continuación del símbolo de advertencia de seguridad y de la palabra "PELIGRO" o "ADVERTENCIA". Estas palabras significan:

 **PELIGRO**

Si no sigue las instrucciones de inmediato, usted puede morir o sufrir una lesión grave.

 **ADVERTENCIA**

Si no sigue las instrucciones, usted puede morir o sufrir una lesión grave.

Todos los mensajes de seguridad le dirán el peligro potencial, le dirán cómo reducir las posibilidades de sufrir una lesión y lo que puede suceder si no se siguen las instrucciones.

INSTRUCCIONES IMPORTANTES DE SEGURIDAD

ADVERTENCIA: Para reducir el riesgo de incendio, choque eléctrico o lesiones a personas al usar su lavadora, siga las precauciones básicas, incluyendo las siguientes:

- Lea todas las instrucciones antes de usar la lavadora.
- No lave artículos que hayan sido previamente limpiados, lavados, remojados o humedecidos con gasolina, solventes para lavar en seco, u otras sustancias inflamables o explosivas ya que éstas emanan vapores que podrían encenderse o causar una explosión.
- No agregue gasolina, solventes para lavar en seco, u otras sustancias inflamables o explosivas al agua de lavado. Estas sustancias emanan vapores que podrían encenderse o causar una explosión.
- En ciertas condiciones, puede generarse gas hidrógeno en un sistema de agua caliente que no se haya usado por dos semanas o un período mayor. **EL GAS HIDRÓGENO ES EXPLOSIVO.** Si no se ha usado el agua caliente durante dicho período, antes de usar la lavadora, abra todos los grifos de agua caliente y deje que corra el agua por varios minutos. Esto liberará todo el gas hidrógeno que se haya acumulado. Debido a la inflamabilidad de dicho gas, no fume ni use una llama abierta durante este lapso.
- No permita que los niños jueguen encima o dentro de la lavadora. Es necesario una supervisión cuidadosa de los niños toda vez que se use la lavadora cerca de ellos.
- Antes de poner la lavadora fuera de servicio o desecharla, quítele la puerta o la tapa.
- No introduzca las manos en la lavadora si el tambor, la tina, o el agitador están funcionando.
- No instale ni almacene esta lavadora donde pudiese estar sometida a la intemperie.
- No trate de forzar los controles.
- No repare ni cambie pieza alguna de la lavadora ni intente realizar tarea alguna de servicio técnico, excepto cuando así se le indique específicamente en este manual o en instrucciones de reparación para el usuario publicadas, que usted entienda y para cuya ejecución cuente con la habilidad necesaria.
- Para obtener información respecto a las instrucciones de conexión a tierra, consulte "Requisitos eléctricos" en las instrucciones de instalación.

GUARDE ESTAS INSTRUCCIONES

Advertencias de la Proposición 65 del estado de California:

ADVERTENCIA: Este producto contiene una o más sustancias químicas identificadas por el estado de California como causantes de cáncer.

ADVERTENCIA: Este producto contiene una o más sustancias químicas identificadas por el estado de California como causantes de defectos congénitos o algún otro tipo de daños en la función reproductora.

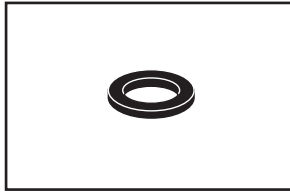
REQUISITOS DE INSTALACIÓN

Herramientas y piezas

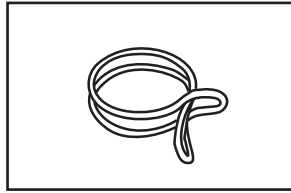
Reúna las herramientas y las piezas necesarias antes de comenzar la instalación. Las piezas que se suministran están en la canasta de la lavadora.

Instalación portátil

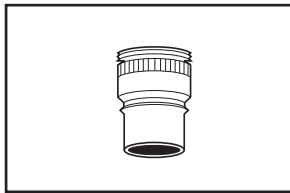
Piezas suministradas:



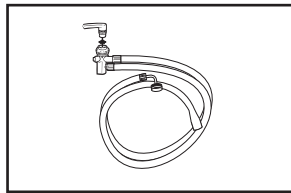
Arandelas planas para adaptador de grifo y mangueras de llenado



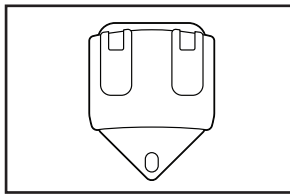
Abrazadera de manguera plateada, de doble alambre (para la parte inferior de la manguera de desagüe)



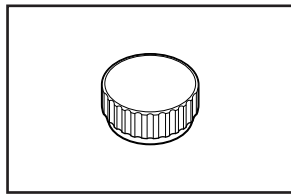
Adaptador de grifo



Manguera de llenado y desagüe

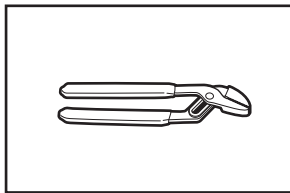


Soporte de manguera

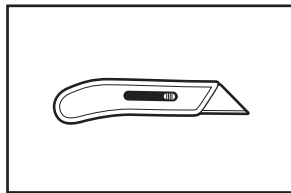


Tapa de válvula

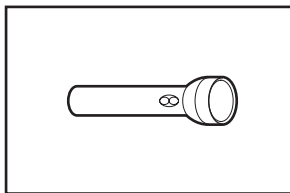
Herramientas necesarias para la instalación:



Pinza con una apertura de 1 1/8" (3,95 cm)



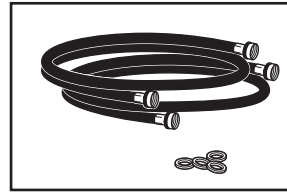
Cuchillo para uso general



Linterna (opcional)

Instalación permanente

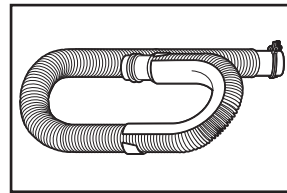
Piezas necesarias (no se suministran con la lavadora):



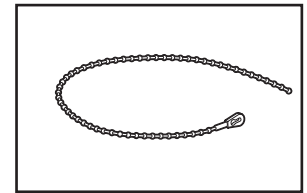
Mangueras de entrada con arandelas planas

NOTA: Reemplace las mangueras de entrada después de 5 años de uso para reducir el riesgo de que fallen. Para consultas futuras, anote en las mangueras la fecha de instalación o la fecha de reposición.

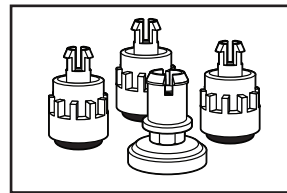
Piezas suministradas:



Manguera de desagüe con abrazadera

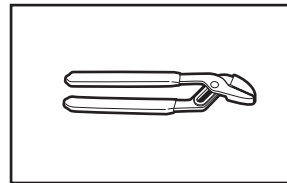


Atadura para cables

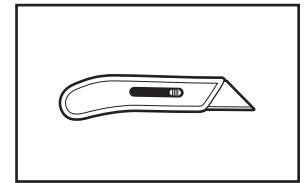


Patas niveladoras

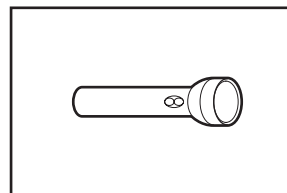
Herramientas necesarias para la instalación:



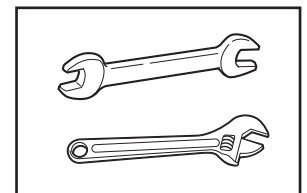
Pinza con una apertura de 1 1/8" (3,95 cm)



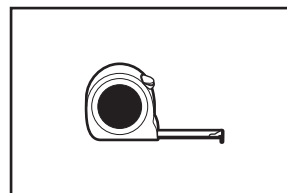
Cuchillo para uso general



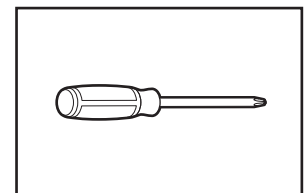
Linterna (opcional)



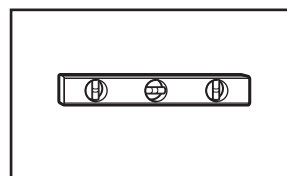
Llave ajustable o de extremo abierto de 1/2" (14 mm)



Cinta métrica



Destornillador Phillips



Nivel

Piezas adicionales

Su instalación puede requerir piezas adicionales. Para obtener información sobre los pedidos, consulte la contraportada de este manual.

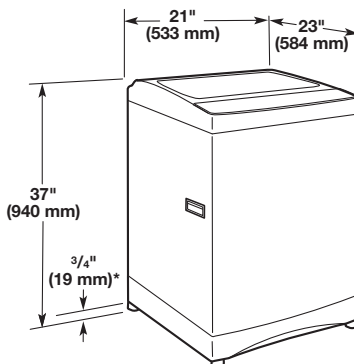
Sí tiene:	Debe comprar:
Tina de lavadero o tubo vertical de más de 72" (183 cm) de altura	Sistema de bomba de sumidero (a menos que ya esté disponible)
Tubo vertical de 1" (2,5 cm) de diámetro	Adaptador de tubo vertical de 2" (5 cm) a 1" (2,5 cm) de diámetro, pieza número 3363920
Alcantarilla suspendida	Tina de desagüe o fregadero utilitario estándar de 20 gal (76 L) y de 39" (990 mm) de altura, bomba de sumidero y conectores (disponibles en tiendas locales de artículos de plomería)
Desagüe de piso	Interruptor de efecto de sifón, pieza número 285320; manguera de desagüe adicional, pieza número 3357090 y juego de conectores, pieza número 285442
Grifos del agua fuera del alcance de las mangueras de llenado	2 mangueras de llenado de agua más largas: 6 pies (1,8 m) pieza número 76314 10 pies (3,0 m) pieza número 350008
Manguera de desagüe demasiado corta	Manguera de desagüe, pieza número 388423 y juego de manguera, pieza número 285442
Manguera de desagüe demasiado larga	Juego de manguera, pieza número 285442
Desagüe obstruido por pelusa	Protector del desagüe, pieza número 367031

Requisitos de ubicación

La selección de una ubicación apropiada para la lavadora mejora el rendimiento y reduce al mínimo el ruido y posibles "desplazamientos" de la lavadora.

La lavadora se puede instalar en un sótano, un cuarto para lavar, o un lugar empotrada. Vea "Sistema de desagüe".

Dimensiones de la lavadora



*Medida mínima con patas niveladoras instaladas.

IMPORTANTE: no instale o almacene esta lavadora donde estará expuesta a la intemperie.

La instalación correcta es su responsabilidad.

Necesitará:

- Un calentador de agua fijado para suministrar a la lavadora agua a 120 °F (49 °C).
- Un tomacorriente eléctrico con conexión a tierra ubicado a una distancia máxima de 5 pies (1,5 m) del lugar donde el cable eléctrico está fijado a la parte trasera de la lavadora. Vea "Requisitos eléctricos".
- Grifos de agua caliente y fría ubicados a una distancia máxima de 3½ pies (1,1 m) de las válvulas de llenado del agua caliente y fría y una presión de agua de 5 a 100 psi (34,5 a 690 kPa).
- Un piso nivelado con una pendiente máxima de ¾" (1,9 cm) debajo de toda la lavadora. No se recomienda instalar la lavadora sobre pisos alfombrados.
- Un piso resistente que sostenga el peso de la lavadora (la máquina más el agua y la carga) de 225 lb (102 kg).

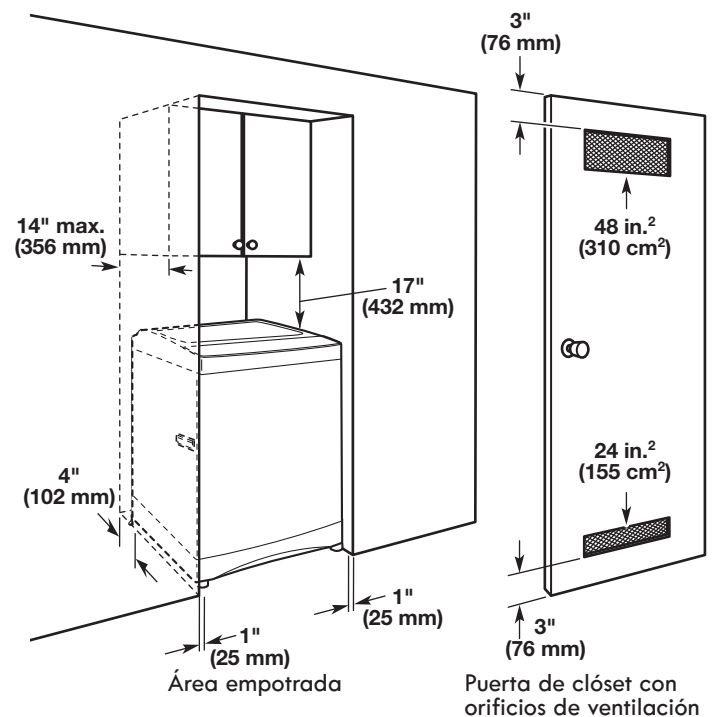
No guarde ni haga funcionar la lavadora a temperaturas iguales o inferiores a 32°F (0°C). El agua que quede en la lavadora puede ocasionar daños a bajas temperaturas. Vea la sección "Cuidado de la lavadora" para saber cómo acondicionarla para el invierno.

Instalación en área empotrada o en clóset

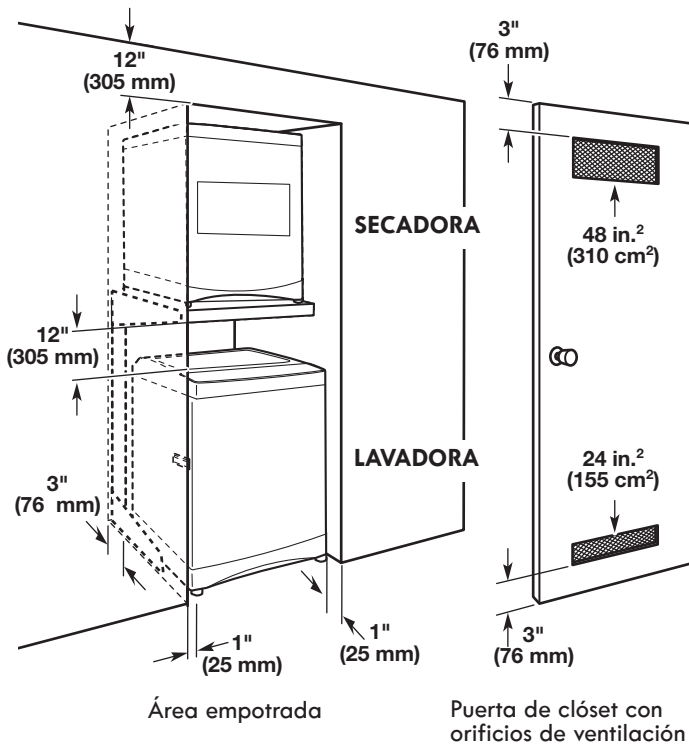
Las dimensiones que se ilustran son para los espacios recomendados permitidos, excepto las aberturas de ventilación de puertas de clóset. Las dimensiones que se muestran para las aberturas de ventilación de puertas de clóset son las mínimas requeridas.

- Debe considerarse espacio adicional para facilitar la instalación y el servicio técnico.
- Se pueden necesitar espacios libres adicionales para las molduras de la pared, puerta y piso.
- Se recomienda un espacio adicional de 1" (2,5 cm) en todos los lados de la lavadora para reducir la transferencia de ruido.
- Si se instala una puerta de clóset, se requieren aberturas de aire mínimas en la parte superior e inferior de la puerta. Son aceptables las puertas con persianas que tengan aberturas de aire en la parte superior e inferior.
- También se debe considerar espacio adicional para otro electrodoméstico que le acompañe.

Lavadora solamente



Apilada



Requisitos eléctricos

⚠ ADVERTENCIA



Peligro de Choque Eléctrico

Conecte a un contacto de pared de conexión a tierra de 3 terminales.

No quite la terminal de conexión a tierra.

No use un adaptador.

No use un cable eléctrico de extensión.

No seguir estas instrucciones puede ocasionar la muerte, incendio o choque eléctrico.

- Se necesita un suministro eléctrico de 120 voltios, 60 hertzios, CA solamente, de 15 o 20 amperios y protegido con fusibles. Se recomienda un fusible retardador o un disyuntor. Asimismo se recomienda el uso de un circuito independiente que preste servicio únicamente a este aparato.
- Esta lavadora viene equipada con un cable eléctrico que tiene un enchufe de 3 patas con conexión a tierra.
- Para reducir al mínimo el peligro de posibles choques eléctricos, el cable debe estar enchufado en un tomacorriente de 3 terminales, conectado a tierra de acuerdo con los códigos y las ordenanzas locales. Si no hay disponible un tomacorriente equivalente, es responsabilidad y obligación personal del cliente hacer instalar uno debidamente conectado a tierra por un electricista calificado.
- Si los códigos lo permiten y se emplea un cable de conexión a tierra separado, se recomienda que un electricista competente determine si la trayectoria de descarga a tierra es adecuada.

- No conecte la descarga a tierra a un tubo de gas.
- Si no está seguro de que la conexión a tierra de la lavadora sea la adecuada, verifique con un electricista competente.
- No coloque un fusible en el circuito neutro o de descarga a tierra.

INSTRUCCIONES PARA LA CONEXIÓN A TIERRA

Para una lavadora conectada a tierra con cable eléctrico:

Esta lavadora debe conectarse a tierra. En caso de funcionamiento defectuoso o avería, la conexión a tierra reducirá el riesgo de choque eléctrico al proporcionar una vía de menor resistencia para la corriente eléctrica. Esta lavadora viene equipada con un cable eléctrico que tiene un conductor de conexión a tierra del equipo y un enchufe con conexión a tierra. El enchufe debe conectarse en un contacto de pared apropiado que haya sido debidamente instalado y conectado a tierra de conformidad con todos los códigos y ordenanzas locales.

ADVERTENCIA: La conexión incorrecta de la terminal de conexión a tierra del equipo puede ocasionar un riesgo de choque eléctrico. Consulte con un electricista o técnico en reparaciones calificado si tiene duda alguna en cuanto a la conexión a tierra correcta del electrodoméstico.

No modifique el enchufe provisto con el electrodoméstico. Si éste no encaja en el contacto de pared, pida a un electricista calificado que le instale un contacto de pared apropiado.

Para una lavadora con contacto eléctrico permanente:

Esta lavadora debe estar conectada a un sistema de cableado de metal permanente, conectado a tierra, o se debe tender un conducto para la conexión a tierra del equipo con los conductores de circuito y conectado a la terminal de tierra del equipo o al conductor de suministro del electrodoméstico.

Retire el material de envío

Antes de instalar la lavadora, quite todo el material de envío.

⚠ ADVERTENCIA

Peligro de Peso Excesivo

Use dos o más personas para mover e instalar la lavadora.

No seguir esta instrucción puede ocasionar una lesión en la espalda u otro tipo de lesiones.

Para evitar daños en el piso, use un pedazo de cartón grande y plano de la caja de la lavadora. Coloque el cartón debajo de toda la parte trasera de la lavadora.

Tome con firmeza el cuerpo de la lavadora y apóyelo con cuidado sobre los esquineros.

Retire el embalaje de espuma plástica de debajo de la lavadora.

Ponga la lavadora de pie.

Retire la cinta de la tapa de la lavadora. Abra la tapa de la lavadora y quite la pieza de embalaje de espuma, la bolsa con piezas y las mangueras de la canasta de la lavadora. Cierre la tapa.

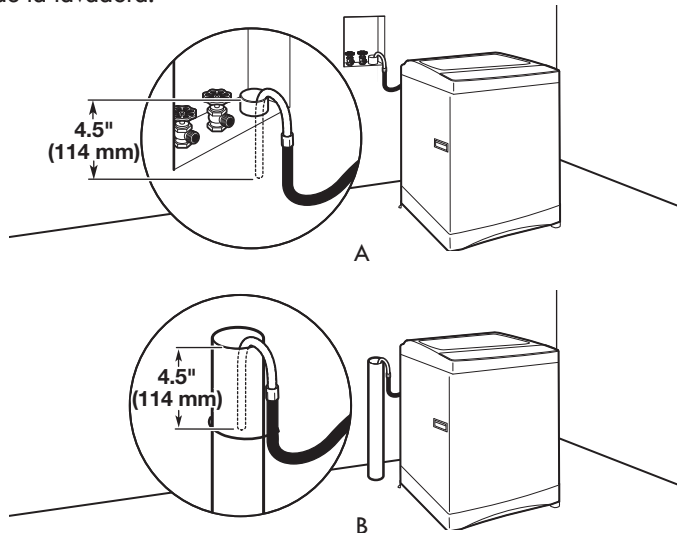
Sistema de desagüe

Se puede instalar la lavadora utilizando el sistema de desagüe por tubo vertical (en el piso o en la pared), el sistema de desagüe por la tina de lavadero, o el sistema de desagüe por el piso. Seleccione el método de instalación de la manguera de desagüe que necesite. Vea "Herramientas y piezas".

Sistema de desagüe por tubo vertical – en la pared o en el piso (vistas A y B)

El desagüe por tubo vertical necesita un tubo vertical con un diámetro mínimo de 2" (5 cm). La capacidad mínima de desagüe (para las instalaciones permanentes) no puede ser menor de 17 gal (64,5 L) por minuto.

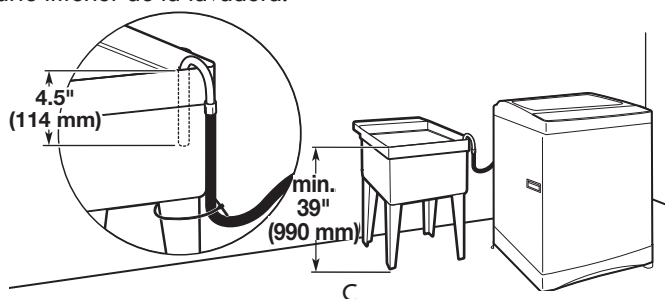
La parte superior del tubo vertical debe estar como mínimo a 39" (990 mm) y como máximo a 72" (183 cm) de la parte inferior de la lavadora.



Sistema de desagüe por la tina de lavadero (vista C)

La tina de lavadero debe tener una capacidad mínima de desagüe de 17 gal. (64,5 L) por minuto (para las instalaciones permanentes).

La parte superior de la tina del lavadero debe estar como mínimo a 39" (990 mm) del piso y como máximo a 72" (183 cm) de la parte inferior de la lavadora.



INSTRUCCIONES DE INSTALACIÓN PERMANENTE

⚠ ADVERTENCIA

Peligro de Peso Excesivo

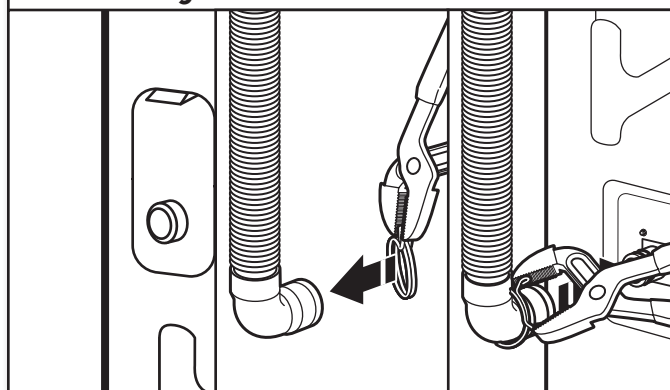
Use dos o más personas para mover e instalar la lavadora.

No seguir esta instrucción puede ocasionar una lesión en la espalda u otro tipo de lesiones.

- Para evitar daños en el piso, apoye la lavadora sobre un cartón antes de moverla por el piso.
- Mueva la lavadora a aproximadamente 3 pies (900 mm) como mínimo de distancia de su ubicación final.

Conexión de la manguera de desagüe

1. Sujete la manguera de desagüe al puerto de desagüe



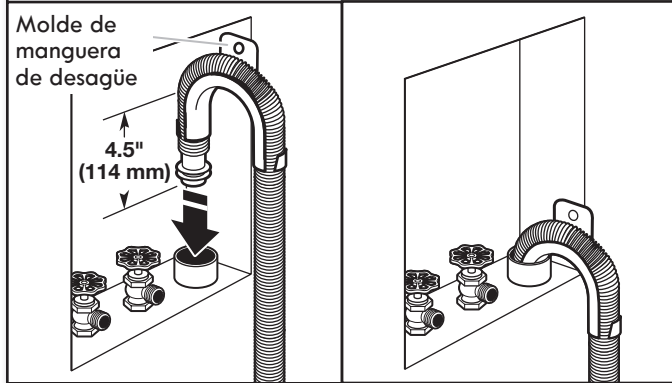
Si la abrazadera no está en su lugar, sobre el extremo del codo de la manguera de desagüe, deslízela sobre el extremo como se muestra. Apriete la abrazadera con unas pinzas y deslice el extremo de la manguera de desagüe con el codo negro sobre el puerto de desagüe negro. Asegúrelo con la abrazadera.

Para una tina de lavandería o una tubería vertical, vaya al paso 2.

Para un desagüe por el piso, quite el molde de la manguera de desagüe instalado previamente, como se muestra en el paso 3.

Instalación de la manguera de desagüe

2. Coloque la manguera de desagüe en el tubo vertical



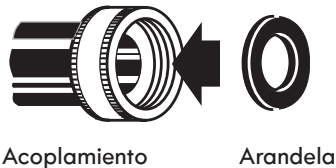
Coloque la manguera dentro del tubo vertical (se muestra en la ilustración) o sobre el lado de la tina de lavadero.

IMPORTANTE: debe haber 4,5" (114 mm) de manguera de desagüe dentro del tubo vertical; no fuerce el exceso de manguera dentro del tubo vertical, ni lo coloque en el fondo de la tina de lavadero. Se debe usar el molde de la manguera de desagüe.

Conexión de las mangueras de entrada

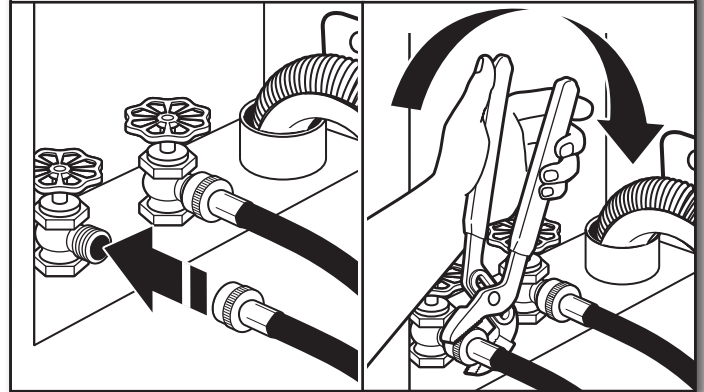
La lavadora debe conectarse a los grifos de agua con mangueras de entrada nuevas (no se suministran). No use mangueras viejas.

3. Inserte nuevas arandelas planas en las mangueras de entrada



Inserte nuevas arandelas planas (no se suministran) en cada extremo de las mangueras de entrada. Asiente firmemente las arandelas en los acoplamientos.

4. Conecte las mangueras de entrada a los grifos de agua

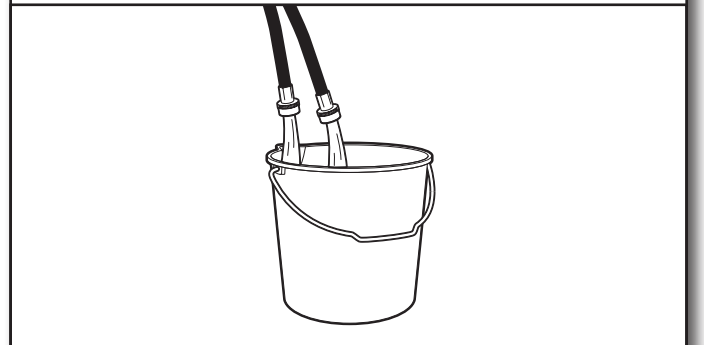


Verifique que la canasta de la lavadora esté vacía.

Instale la manguera en el grifo de agua caliente. Enrosque el acoplamiento con la mano hasta que quede asentado en la arandela. Use pinzas para apretar los acoplamientos dos tercios de vuelta adicionales. Repita este paso con la segunda manguera para el grifo de agua fría.

IMPORTANT: no apriete en exceso ni use cinta o selladores en la válvula cuando la instale en los grifos o en la lavadora. Se pueden producir daños.

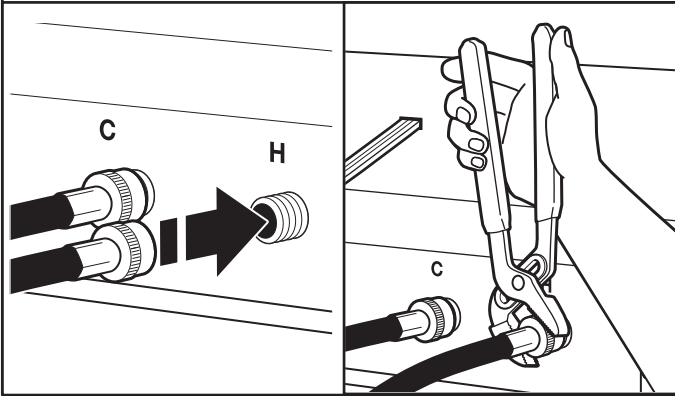
5. Vacíe las líneas de agua



Deje correr agua durante algunos segundos por las mangueras a una tina de lavadero, un tubo de desagüe o una cubeta para evitar obstrucciones. El agua debe correr hasta que salga limpia.

Para ayudar a conectar las mangueras a la lavadora correctamente, tome nota de cuál de las mangueras está conectada al agua caliente.

6. Conecte las mangueras de entrada a la lavadora

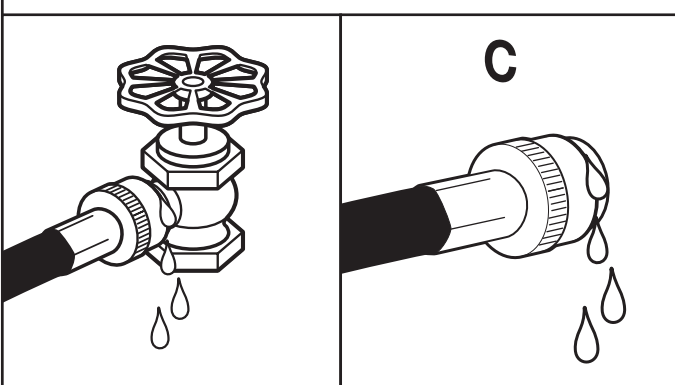


Retire la tapa de la entrada e instale la manguera de agua caliente en la válvula de entrada de agua caliente (derecha). Enrosque el acoplamiento a mano hasta que quede firme sin apretar. Use una pinza para apretar los acoplamientos dos tercios de vuelta adicionales. Repita con la válvula de entrada del agua fría (izquierda).

IMPORTANTE: para reducir el riesgo de que las mangueras fallen, reemplácelas cada 5 años. Para consultas futuras, anote en las mangueras la fecha de instalación o la fecha de reposición.

- Inspeccione periódicamente y reemplace las mangueras si aparecen bultos, torceduras, cortaduras, desgaste o filtraciones de agua.

7. Revise si hay fugas

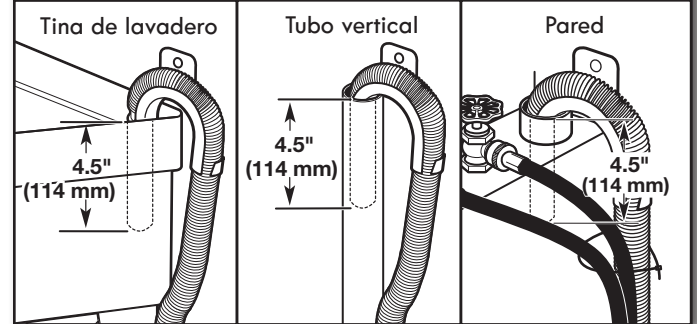


Abra los grifos del agua para revisar si hay fugas de agua. Es posible que entre a la lavadora una pequeña cantidad de agua que se desaguará más tarde.

- Si conecta una sola manguera de agua, deberá colocar una tapa (se suministra) para anular el otro puerto de entrada de agua.

Asegure la manguera de desagüe

8. Asegure la manguera de desagüe a la tina del lavadero, al tubo vertical o a la pared



Asegure la manguera de desagüe a la pata de la tina del lavadero, al tubo vertical de desagüe o a las mangueras de entrada para el tubo vertical de pared mediante la atadura para cables (se suministra).

- No fuerce el exceso de manguera de desagüe dentro de la parte trasera de la lavadora.
- Para evitar el efecto sifón, no selle ni ponga más de 4½" (114 mm) de manguera de desagüe en el tubo de desagüe o en el tubo vertical.

Cómo instalar patas niveladoras – Opcional (solo para la instalación permanente)

IMPORTANTE: La instalación de las patas niveladoras es permanente. En cuanto las patas niveladoras están instaladas en la base de la lavadora no se pueden quitar y las ruedas de la lavadora ya no podrán girar.

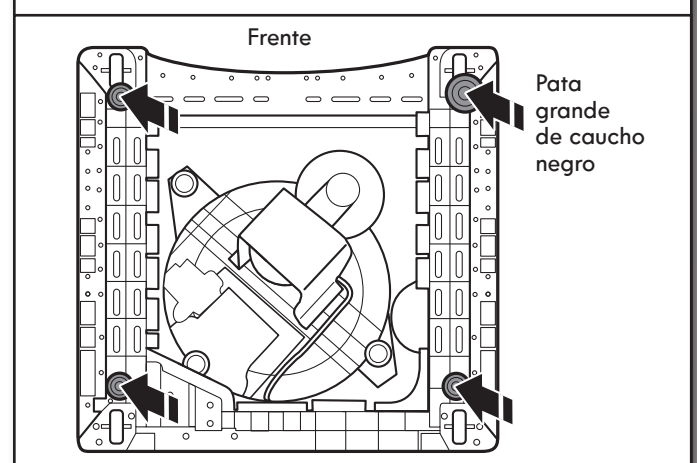
⚠ ADVERTENCIA

Peligro de Peso Excesivo

Use dos o más personas para mover e instalar la lavadora.

No seguir esta instrucción puede ocasionar una lesión en la espalda u otro tipo de lesiones.

9. Cómo instalar patas niveladoras



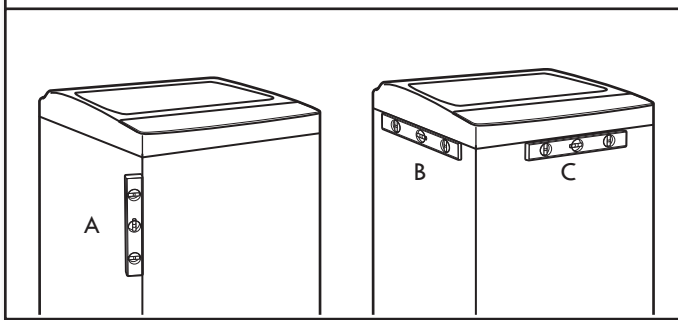
Apiye la lavadora sobre la parte posterior. Empújela para insertar la pata de goma negra grande en la esquina frontal derecha de la base de la lavadora. Repita este paso para instalar las patas de nivelación restantes en las otras 3 esquinas.

Nivelación de la lavadora

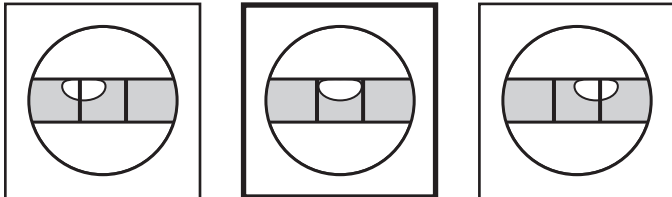
IMPORTANTE: nivele la lavadora correctamente para reducir el exceso de ruido y vibración.

Para instalaciones permanentes:

10. Revise la nivelación de la lavadora



Mueva la lavadora a su ubicación final. Coloque un nivel parejo con los bordes superiores de la lavadora (B). Use la hendidura lateral como una guía para revisar la nivelación de los lados (A). Revise la nivelación del frente usando la tapa, como se muestra (C). Balancee la lavadora hacia adelante y hacia atrás para asegurarse de que los 4 pies hagan contacto firme con el piso.

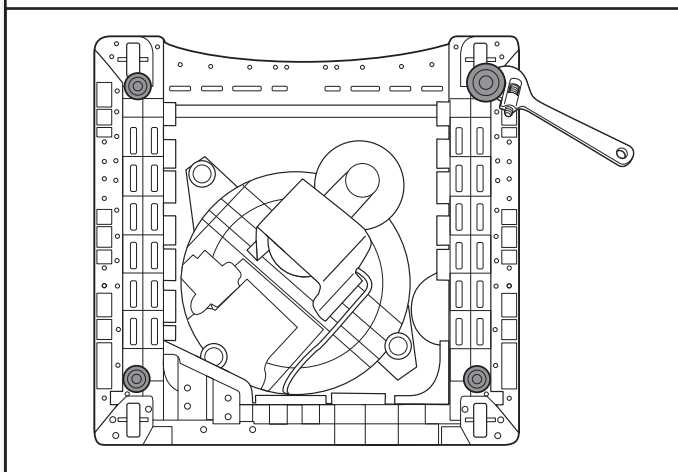


No nivelada

NIVELADA

No nivelada

11. Ajuste de la pata niveladora



Si la lavadora no está nivelada, recueste la lavadora sobre su parte posterior para ajustar la pata niveladora de goma negra grande. Si la lavadora está contra la pared, muévala ligeramente hacia afuera antes de recostarla en su parte posterior.

Use una llave inglesa para ajustar la pata niveladora de goma negra grande hacia arriba o abajo según sea necesario.

NOTA: Las 3 patas niveladoras pequeñas no son ajustables.

Para instalaciones portátiles:

Revise la nivelación del piso. Si el piso no está nivelado, traslade la lavadora a un área con piso nivelado.

⚠ ADVERTENCIA



Peligro de Choque Eléctrico

Conecte a un contacto de pared de conexión a tierra de 3 terminales.

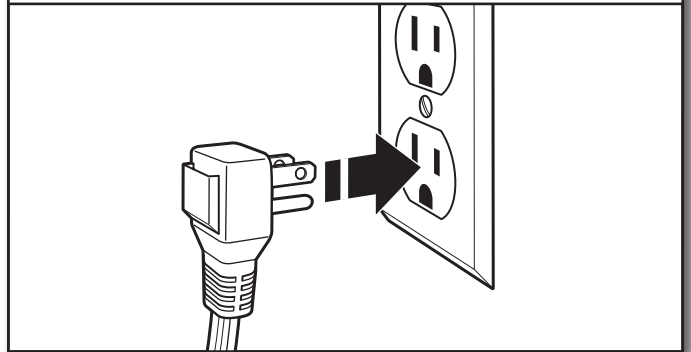
No quite la terminal de conexión a tierra.

No use un adaptador.

No use un cable eléctrico de extensión.

No seguir estas instrucciones puede ocasionar la muerte, incendio o choque eléctrico.

12. Enchufe en un tomacorriente de 3 terminales con conexión a tierra



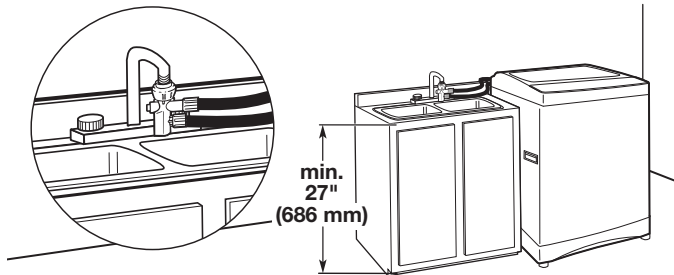
Lista de control de la instalación terminada

- Revise los requisitos eléctricos. Asegúrese de contar con la fuente de electricidad correcta y el método recomendado de conexión a tierra.
- Verifique que todas las piezas estén ahora instaladas. Si hay alguna pieza adicional, vuelva a repasar todos los pasos para ver qué se omitió.
- Verifique que tenga todas las herramientas.
- Verifique que los materiales de envío se hayan quitado por completo de la lavadora.
- Verifique que los grifos de agua estén abiertos.
- Verifique si hay fugas alrededor de los grifos y de las mangueras de entrada.
- Retire la película protectora de la consola y toda la cinta que quede en la lavadora.
- Verifique que la lavadora esté enchufada en un tomacorriente de 3 terminales con conexión a tierra.
- Deseche o recicle todos los materiales de embalaje.
- Lea "Cuidado de la lavadora".
- Para probar y limpiar la lavadora, mida la mitad de la cantidad normal recomendada de detergente en polvo o líquido y viértalo en la canasta de la lavadora o en el depósito de detergente (en algunos modelos). Cierre la tapa. Seleccione cualquier ciclo. Ponga en marcha la lavadora y deje que termine un ciclo completo.

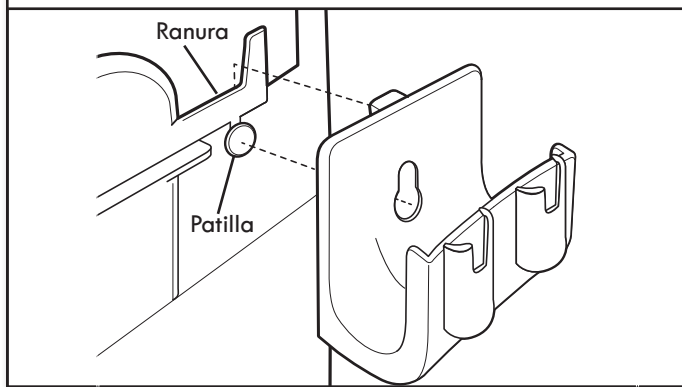
INSTRUCCIONES PARA LA INSTALACIÓN PORTÁTIL

Sistema de desagüe

La lavadora deberá desagüarse en un fregadero o una tina de lavadero con una capacidad de arrastre de 17 gal (64,5 L) por minuto (para las instalaciones portátiles). La parte superior de la tina deberá estar por lo menos a 27" (68,6 cm) por encima del piso y a no más de 48" (121,9 cm) de la parte inferior de la lavadora.



1. Fije los soportes de manguera

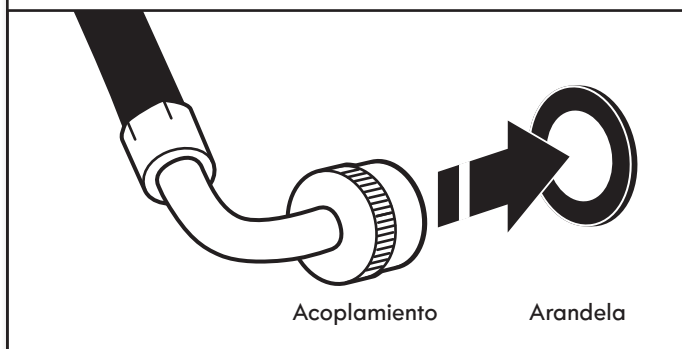


Coloque el soporte de manguera sobre la patilla en la parte trasera de la lavadora y ubique la pestaña de manera que se inserte en la ranura. Empuje hacia abajo para trabar en su lugar.

Conexión de la manguera de llenado y desagüe

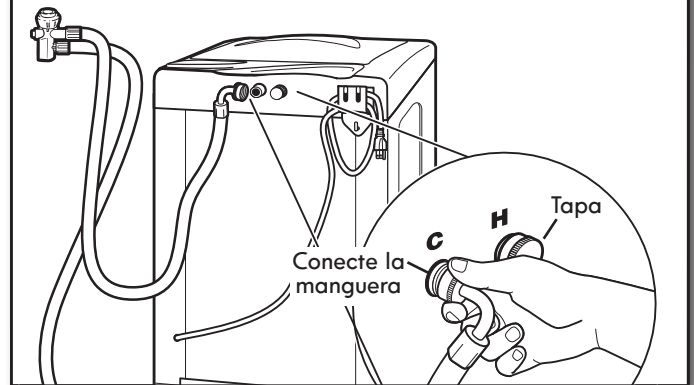
Para proteger los pisos de daños causados por fugas de agua, conecte correctamente la manguera de llenado y desagüe.

2. Inserte una nueva arandela plana en la manguera de entrada



Inserte una nueva arandela plana (se suministra) en el extremo de la manguera de entrada. Asiente con firmeza la arandela en el acoplamiento.

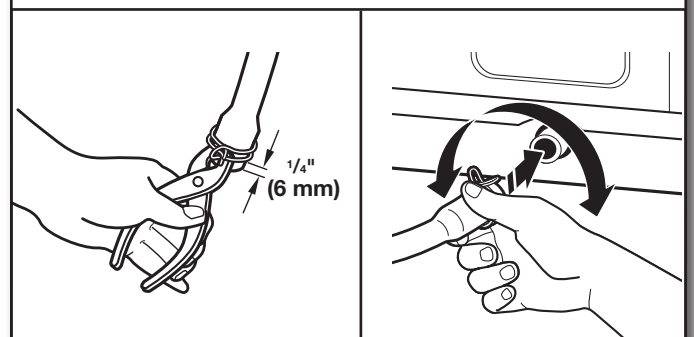
3. Conecte la manguera de llenado



Instale la manguera de llenado en la válvula de entrada de agua fría (izquierda). Apriete el acoplamiento con la mano. Use una pinza para apretar otros dos tercios de vuelta.

NOTA: no apriete demasiado. Se pueden dañar las válvulas. La válvula de entrada de agua caliente (derecha) está tapada. Deje esa válvula tapada.

4. Conecte la manguera de desagüe



Para evitar que la manguera de llenado y desagüe tenga fugas, se debe instalar de acuerdo con las instrucciones siguientes.

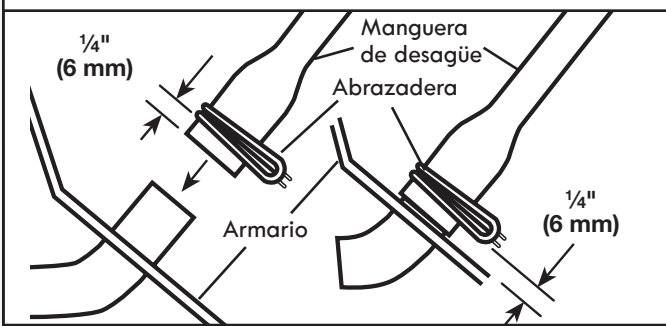
IMPORTANTE: para asegurar una instalación adecuada, se debe seguir este procedimiento con exactitud.

Retire la manguera de desagüe para instalación permanente. Moje el interior del extremo de la manguera de desagüe con agua del grifo.

IMPORTANTE: no use ningún otro lubricante aparte de agua.

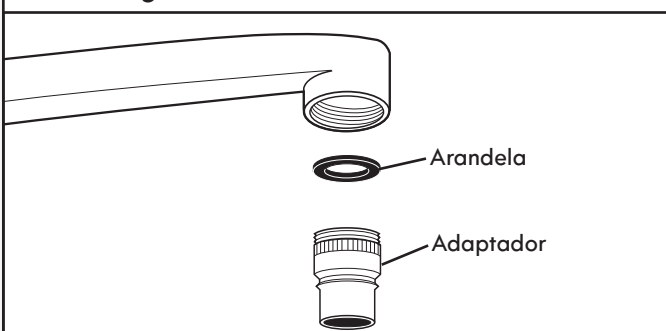
Apriete con una pinza las aletas de la abrazadera de doble alambre para abrirla. Coloque la abrazadera sobre el extremo recto de la manguera de desagüe a 1/4" (6 mm) del extremo. Retuerza la manguera hacia atrás y hacia adelante mientras empuja sobre el conector de desagüe en el fondo de la lavadora. Continúe hasta que la manguera toque el gabinete.

5. Asegure la manguera de desagüe



Coloque la abrazadera sobre el área que tiene la marca "CLAMP" (Abrazadera). Suelte la abrazadera.

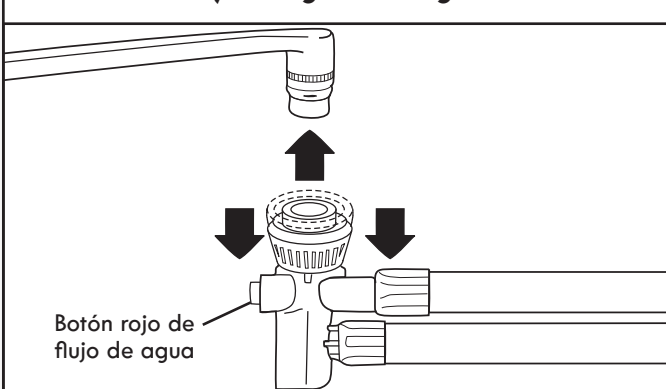
6. Instale el adaptador del kit de mangueras en el grifo



La conexión adecuada del juego de adaptador del grifo permitirá que el agua fría y el agua caliente entren a la lavadora de un modo adecuado. También ayudará a evitar que haya daños causados por agua debido a fugas.

Instale el kit de adaptador del grifo de la bolsa de partes en el grifo. Se suministran un adaptador de grifo estándar y una arandela. Hay adaptadores a la medida disponibles en las tiendas de artículos de plomería tradicionales.

7. Instale el conector de la manguera de llenado y desagüe en el grifo



Haga rodar la lavadora hacia el área del fregadero. Rueda y funciona sobre ruedas que no giran en sentido lateral. Asegúrese de que la lavadora esté sobre un piso nivelado para ayudar a evitar el movimiento durante el centrifugado. Instale el conector de la manguera de llenado y desagüe en un grifo de agua caliente/fría de un solo pico. Mueva el anillo de sujeción hacia abajo mientras levanta el conector hasta que encaje en su lugar.

8. Ajuste la WASH TEMP (temperatura de lavado) en Cold (Fría)

- Hot
- Warm
- Cold

Wash Temp

CONTROL LOCK
HOLD 3 SEC

Mantenga el ajuste de temperatura de la lavadora en Cold (Fría). Para fijar la temperatura del agua para el ciclo de lavado, ajuste los grifos de agua caliente y fría. Los ajustes Hot (Caliente) y Warm (Tibio) están inactivos con la instalación portátil.

Para probar el agua, presione el botón rojo del flujo de agua que está sobre el conector de la manguera. Se liberará agua cuando se presione el botón, lo cual permite tener una muestra de la temperatura.

NOTA: si lo desea, puede ajustar los grifos de agua caliente y fría para cambiar la temperatura del agua para el ciclo de enjuague. Mantenga el ajuste de temperatura de la lavadora en Cold (Fría).

⚠ ADVERTENCIA



Peligro de Choque Eléctrico

Conecte a un contacto de pared de conexión a tierra de 3 terminales.

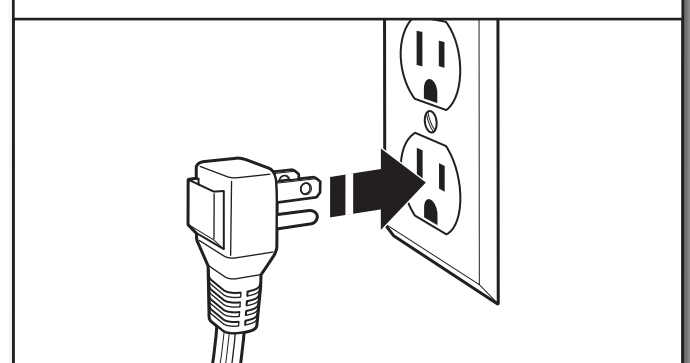
No quite la terminal de conexión a tierra.

No use un adaptador.

No use un cable eléctrico de extensión.

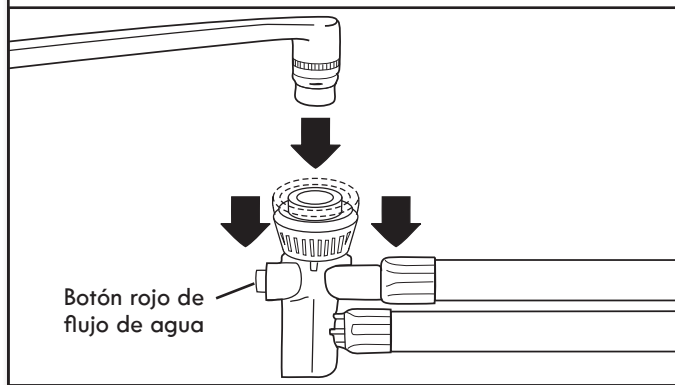
No seguir estas instrucciones puede ocasionar la muerte, incendio o choque eléctrico.

9. Enchufe en un tomacorriente de 3 terminales con conexión a tierra



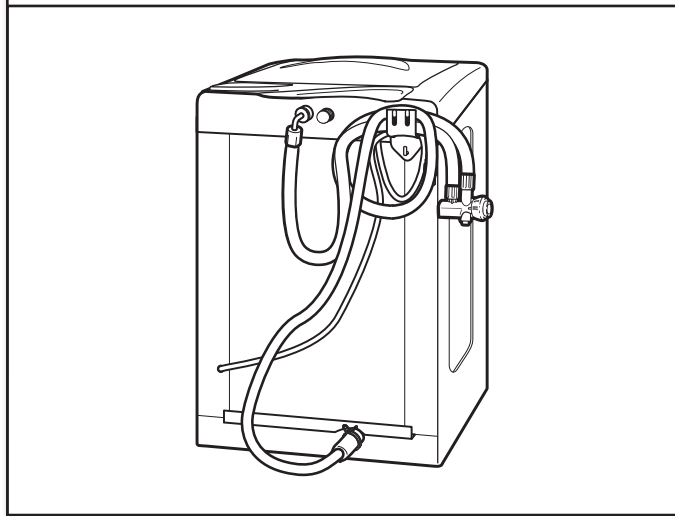
Desconecte la lavadora

1. Retire el conector de la manguera de llenado y desagüe del grifo



Cierre los grifos de agua y desenchufe el cable de suministro de energía. Presione el botón rojo de flujo de agua para liberar la presión en la manguera. Tire hacia abajo el anillo de sujeción para sacar el conector del grifo.

2. Vuelva a colocar la manguera de llenado y desagüe en el soporte de almacenamiento



Vierta el agua fuera del conector de la manguera de llenado y desagüe. Coloque la manguera de llenado y desagüe en el soporte plástico que está en la parte trasera de la lavadora.

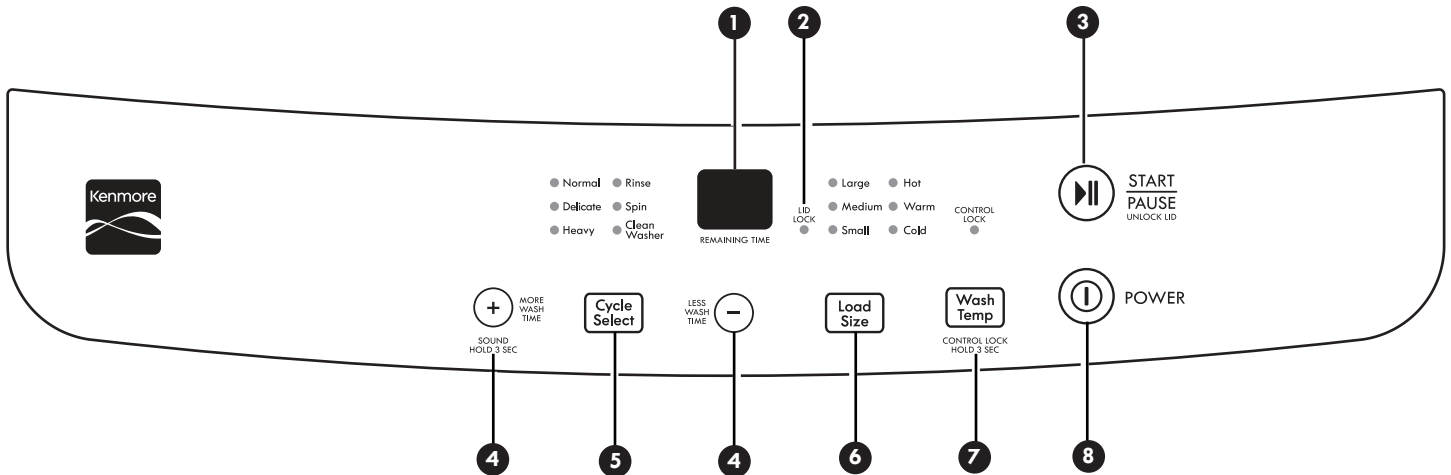
Lista de control de la instalación terminada

- Revise los requisitos eléctricos. Asegúrese de contar con la fuente de electricidad correcta y el método recomendado de conexión a tierra.
- Verifique que todas las piezas estén ahora instaladas. Si hay alguna pieza adicional, vuelva a repasar todos los pasos para ver qué se omitió.
- Verifique que tenga todas las herramientas.
- Verifique que los materiales de envío se hayan quitado por completo de la lavadora.
- Verifique que los grifos de agua estén abiertos.
- Verifique si hay fugas alrededor de los grifos y de las mangueras de entrada.

NOTA: si la lavadora está instalada en un grifo equipado con una manguera de rociado, la presión de agua constante puede causar fugas en la manguera de rociado. Para evitar posibles fallas, la manguera de rociado debe desconectarse o reemplazarse con una manguera de alta presión.

- Retire la película protectora de la consola y toda la cinta que quede en la lavadora.
- Verifique que la lavadora esté enchufada en un tomacorriente de 3 terminales con conexión a tierra.
- Deseche o recicle todos los materiales de embalaje.
- Lea "Cuidado de la lavadora".
- Para probar y limpiar la lavadora, mida la mitad de la cantidad normal recomendada de detergente en polvo o líquido y viértalo en la canasta de la lavadora o en el depósito de detergente (en algunos modelos). Cierre la tapa. Seleccione cualquier ciclo. Ponga en marcha la lavadora y deje que termine un ciclo completo.

PANEL DE CONTROL Y CARACTERÍSTICAS



1 PANTALLA LED DE TIEMPO/ESTADO

La pantalla de Tiempo estimado restante (Estimated Time Remaining) muestra el tiempo necesario para que se complete el ciclo. Factores como el tamaño de la carga y la presión del agua pueden afectar el tiempo que se muestra en la pantalla. Las cargas apretadas, las cargas desequilibradas o el exceso de espuma también pueden hacer que la lavadora regule el tiempo del ciclo.

2 LUZ LID LOCK (Bloqueo de tapa)

El indicador Lid Lock (Bloqueo de tapa) se enciende cuando la tapa está bloqueada y no se puede abrir. Si necesita abrir la tapa, mantenga presionado START/PAUSE (Inicio/Pausa). La tapa se desbloqueará una vez que se haya detenido el movimiento de la lavadora. Esto puede tomar varios minutos si la carga estaba centrifugándose a alta velocidad. Oprima START/PAUSE (Inicio/Pausa) nuevamente para volver a comenzar el ciclo.

3 START/PAUSE (Inicio/Pausa)

Después de seleccionar un ciclo de lavado, oprima START/PAUSE (Inicio/Pausa) para poner en marcha el ciclo. Presione una vez para hacer una pausa en el ciclo. Las luces que destellan indican el ciclo seleccionado y el proceso actual.

4 TIEMPO DEL CICLO (+ o -)

- Presione "+" o "-" para ajustar la duración de un ciclo de lavado.
- Presione "+" o "-" para ajustar la duración de un ciclo de centrifugado.
- La pantalla LED mostrará el tiempo restante para que se complete el ciclo.
- Si se hace un ajuste fuera de rango, sonará una timbre.

Señal de fin de ciclo

Mantenga presionado el botón con el signo más (+) durante 3 segundos para activar o desactivar la señal de fin de ciclo.

5 CYCLE SELECT (Selección de ciclos)

Presione CYCLE (Ciclo) para seleccionar un ciclo de lavado. Seleccione entre Normal (Normal), Delicate (Ropa delicada), Heavy (Intenso), Rinse (Enjuague), Spin (Centrifugado) o Clean Washer (Limpiar la lavadora).

NOTA: La lavadora recordará el último ciclo usado, con un tamaño de carga predeterminado en Medium (Medio).

6 LOAD SIZE (Tamaño de la carga)

Presione para seleccionar el nivel de agua con base en la cantidad de prendas que se deben lavar.

Cuando se selecciona el nivel de agua Medium (Medio) con los ciclos Normal o Heavy (Intenso), la máquina detecta el tamaño de la carga y hace ajustes si se requieren.

7 WASH TEMP (Temperatura de lavado)

Seleccione una temperatura de lavado según el tipo de tela que esté lavando y el nivel de suciedad. Para obtener resultados óptimos y según las instrucciones de las etiquetas de las prendas, use el agua de lavado más caliente que las telas puedan resistir.

Para instalaciones portátiles: si lo desea, puede ajustar los grifos de agua caliente y fría para cambiar la temperatura del agua para el ciclo de enjuague. Mantenga el ajuste de temperatura de la lavadora en Cold (Fría).

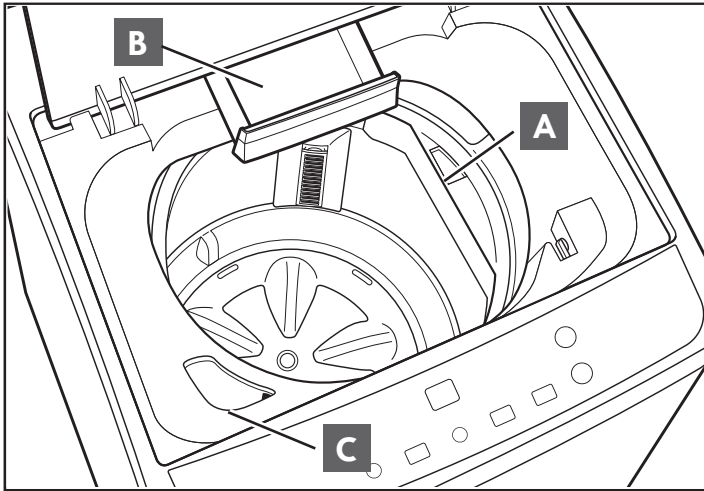
CONTROL LOCK (Bloqueo de control)

Mantenga presionado WASH TEMP (Temperatura de lavado) durante 4 segundos para bloquear los controles. Mantenga presionado durante 4 segundos para desbloquear. Igualmente puede presionar Power (Encendido) para apagar la lavadora.

8 POWER (Encendido)

Oprima POWER (Encendido) para encender o apagar la lavadora. Presione una vez mientras está funcionando un ciclo para detener la lavadora.

Depósitos



A Depósito de suavizante de telas líquido

Si lo desea, vierta una cantidad medida de suavizante de telas líquido en el depósito del suavizante de telas líquido. Se dispensará automáticamente en el momento óptimo.

- Use solamente suavizante de telas líquido en este depósito.

NOTA: el depósito de suavizante de telas rota alrededor de la canasta de lavado y es posible que no esté en el mismo lugar todo el tiempo.

B Depósito de detergente de alto rendimiento (HE) en polvo

Agregue solo detergente de alto rendimiento (HE) en polvo en este depósito para el ciclo de lavado principal.



Use solo un detergente de alto rendimiento (HE).

NOTAS:

- Siga las instrucciones del fabricante para determinar la cantidad de detergente que debe usar.
- Agregue detergente líquido HE o paquetes de dosis única a la canasta antes de introducir la ropa.

C Depósito de blanqueador líquido con cloro

Este depósito tiene una capacidad máxima de $\frac{3}{4}$ taza (180 ml) de blanqueador líquido con cloro. El blanqueador se diluirá y se distribuirá automáticamente en el momento óptimo durante el ciclo de lavado. Este depósito no puede diluir blanqueador en polvo.

NOTA: llene el depósito solo con blanqueador líquido.

Selección del detergente adecuado

Usar solamente detergentes de alto rendimiento. El paquete tendrá la indicación "HE" o "High Efficiency" (Alto rendimiento). El lavado con poca agua crea espuma en exceso con un detergente común que no sea HE. El uso de un detergente común probablemente derive en tiempos de ciclo más prolongados y menor rendimiento de enjuague. También puede provocar fallas en los componentes y, con el pasar del tiempo, la acumulación de moho. Los detergentes de alto rendimiento (HE) deben producir poca espuma y dispersarse rápidamente para producir la cantidad adecuada de espuma a fin de lograr un rendimiento óptimo. Mantienen la suciedad en suspenso para que no vuelva a depositarse sobre las prendas limpias. No todos los detergentes etiquetados como de alto rendimiento son idénticos en su fórmula y su capacidad de para reducir espuma. Por ejemplo, detergentes de alto rendimiento naturales, orgánicos o domésticos pueden

generar un alto nivel de espuma. Siga las instrucciones del fabricante para determinar la cantidad de detergente que debe usar.

Guía de ciclos

- Normal
- Rinse
- Delicate
- Spin
- Heavy
- Clean Washer

Cycle Select

Esta sección describe los ciclos de lavado disponibles y le ayudará a hacer las mejores selecciones para sus cargas de lavado. Cada ciclo fue diseñado para distintos tipos de tela y niveles de suciedad. Siempre lea y siga las instrucciones de las etiquetas de cuidado de las telas para evitar daños a sus prendas.

Normal (Normal)

Use este ciclo para artículos de algodón y lino con suciedad normal. El lavado combina una agitación a velocidad media y centrifugado a alta velocidad para acortar el tiempo de secado.

Delicate (Ropa delicada)

Use este ciclo para artículos de lencería y tejidos flojos. El lavado combina una agitación a baja velocidad para la remoción delicada de la suciedad y un centrifugado a alta velocidad para acortar el tiempo de secado.

Heavy (Intenso)

Use este ciclo para cargas de artículos resistentes o muy sucios. El lavado combina una agitación a alta velocidad y un centrifugado a alta velocidad para una remoción máxima de la suciedad.

Rinse (Enjuague)

Use este ciclo para un enjuague adicional de la carga de la lavadora o para artículos lavados a mano.

Spin (Centrifugado)

Use este ciclo para eliminar el exceso de agua de la carga de la lavadora o de artículos lavados a mano.

Clean Washer (Limpiar la lavadora)

Use este ciclo cada 30 lavados para mantener el interior de la lavadora fresco y limpio. Este ciclo usa un nivel de agua más alto. Úselo con la tableta de limpiador para lavadoras o con blanqueador líquido con cloro para limpiar a fondo el interior de la lavadora. Este ciclo no debe interrumpirse.

IMPORTANTE: No coloque prendas ni otros artículos en la lavadora durante el ciclo Clean Washer (Limpiar la lavadora). Use este ciclo con el tambor de lavado vacío.

End-of-Cycle Signal (Señal de fin de ciclo)

Para activar o desactivar la señal de fin de ciclo, mantenga presionado el botón Cycle (Ciclo) "+" durante 3 segundos.



Cycle Select



SOUND HOLD 3 SEC

LESS WASH TIME

USO DE LA LAVADORA

⚠️ ADVERTENCIA



Peligro de Incendio

Nunca coloque en la lavadora artículos que estén humedecidos con gasolina o cualquier otro líquido inflamable.

Ninguna lavadora puede eliminar completamente el aceite.

No seque ningún artículo que haya tenido alguna vez cualquier tipo de aceite (incluyendo aceites de cocina).

No seguir estas instrucciones puede ocasionar la muerte, explosión o incendio.

⚠️ ADVERTENCIA



Peligro de Choque Eléctrico

Conecte a un contacto de pared de conexión a tierra de 3 terminales.

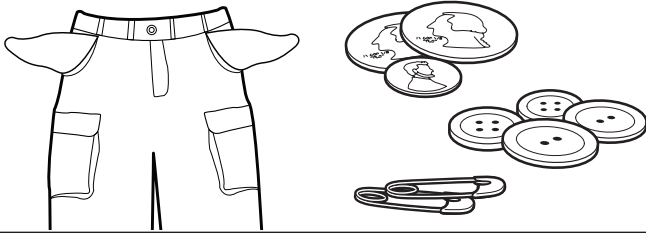
No quite la terminal de conexión a tierra.

No use un adaptador.

No use un cable eléctrico de extensión.

No seguir estas instrucciones puede ocasionar la muerte, incendio o choque eléctrico.

1. Separe y prepare la ropa



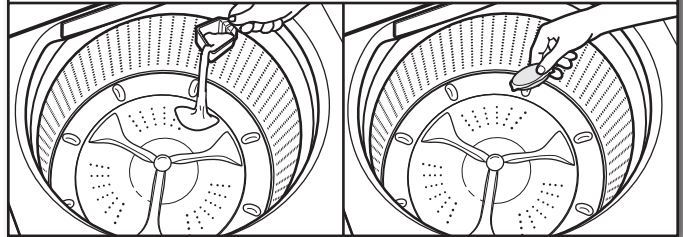
- Vacíe los bolsillos. Las monedas, los botones o cualquier objeto pequeño suelto pueden pasar debajo de la placa de lavado y atorarse, provocando sonidos no esperados.
- Separe los artículos según el ciclo recomendado, la temperatura del agua y la resistencia de los colores.
- Separe los artículos con mucha suciedad de los que tienen poca suciedad.
- Separe los artículos delicados de las telas resistentes.
- No seque los artículos si aún hay manchas después del lavado; el calor puede hacer las manchas permanentes.
- Trate las manchas inmediatamente.
- Cierre las cremalleras, sujete los ganchos, amarre los cordones y las fajas. Quite todo adorno y ornamento que no sea lavable.
- Remiende lo que esté roto y desgarrado para evitar más daños a los artículos durante el lavado.

Consejos útiles:

- Para un rendimiento óptimo, use detergente líquido de alto rendimiento para lavar artículos voluminosos.
- Use bolsas de malla para ayudar a evitar enredos cuando lave artículos delicados o pequeños.
- Vuelva al revés las prendas de tejido para evitar que se formen motitas. Separe las prendas que atraen las pelusas de las que las sueltan. A las prendas de telas sintéticas, los tejidos y la pana se les pegará la pelusa de las toallas, los tapetes y la felpilla.

NOTA: siempre lea y siga las instrucciones de las etiquetas de cuidado de las telas para evitar daños a sus prendas.

2. Agregue los productos de lavandería

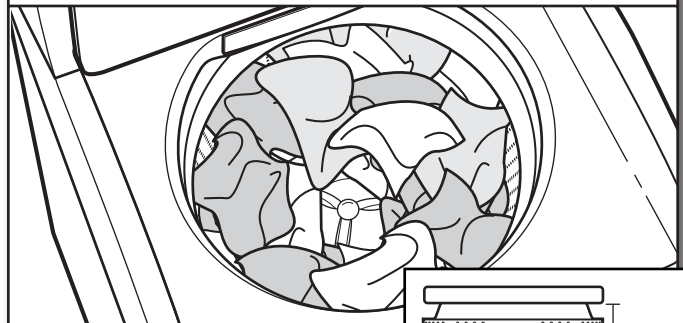


IMPORTANTE: Si usa el soporte para apilar la secadora compacta (número de pieza 49971), tire de la lavadora hacia adelante antes de levantar la tapa de la lavadora. No realice la instalación permanente de la lavadora en el soporte para apilar la secadora compacta: si lo hace, no podrá elevar la tapa de la lavadora.

El detergente líquido para ropa, el paquete de detergente de lavandería de dosis única, el blanqueador apto para ropa de color, los productos para realzar el lavado tipo Oxi o los cristales de suavizante de telas deben agregarse en la canasta antes de agregar la ropa.

NOTA: siga siempre las instrucciones del fabricante.

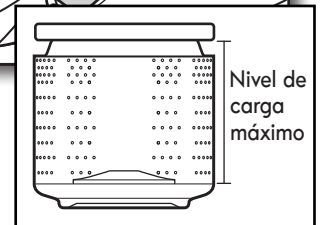
3. Cargue las prendas en la lavadora



Para un rendimiento óptimo, coloque las prendas en montones flojos y de modo parejo alrededor de la placa de lavado. Pruebe mezclar artículos de distintos tamaños para reducir los enredos.

IMPORTANTE: los artículos deben moverse libremente para una mejor limpieza y para reducir la formación de arrugas y enredos.

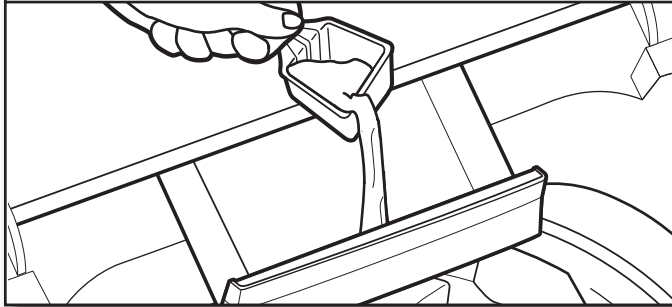
NOTA: El volumen máximo es de aproximadamente 1,52 pies cúbicos (carga máx.: 4,4 lb por pie cúbico).



Cómo usar los depósitos para productos de lavandería

NOTA: no agregue paquetes de detergente de lavandería de dosis única, blanqueador apto para ropa de color, productos Oxi para realzar el lavado ni cristales de suavizante de telas en los depósitos. No se distribuirán correctamente. Agregue a la canasta antes de colocar la ropa.

4. Agregue detergente en polvo HE

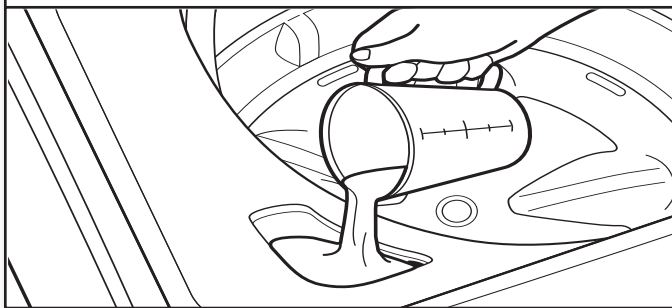


IMPORTANTE: Usar solamente detergentes de alto rendimiento. El paquete tendrá la indicación "HE" o "High Efficiency" (Alto rendimiento). El lavado con poca agua crea espuma en exceso con un detergente común que no sea HE. El uso de un detergente común probablemente derive en tiempos de ciclo más prolongados y menor rendimiento de enjuague. También puede provocar fallas en los componentes y, con el pasar del tiempo, la acumulación de moho. Los detergentes de alto rendimiento (HE) deben producir poca espuma y dispersarse rápidamente para producir la cantidad adecuada de espuma a fin de lograr un rendimiento óptimo. Mantienen la suciedad en suspenso para que no vuelva a depositarse sobre las prendas limpias. No todos los detergentes etiquetados como de alto rendimiento son idénticos en su fórmula y su capacidad de para reducir espuma. Por ejemplo, detergentes de alto rendimiento naturales, orgánicos o domésticos pueden generar un alto nivel de espuma. Siga las instrucciones del fabricante para determinar la cantidad de detergente que debe usar.

NOTAS:

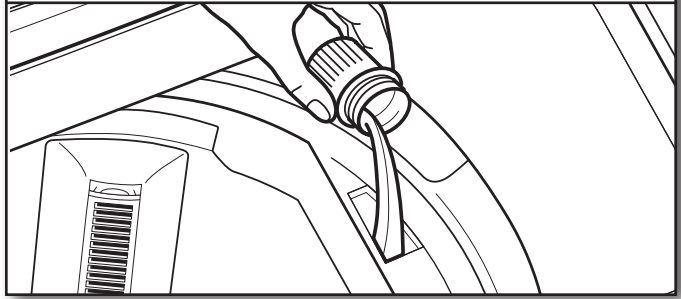
- Use solo detergente de alto rendimiento en polvo en el depósito para detergente. Agregue detergente líquido HE o paquetes de dosis única a la canasta antes de introducir la ropa.
- Vea "Mantenimiento de la lavadora" para obtener información acerca del método recomendado de limpieza de los depósitos de la lavadora.

5. Agregue blanqueador líquido con cloro al depósito



El blanqueador se distribuirá automáticamente durante la porción de lavado del ciclo. No sobrellene, diluya ni utilice más de 1 taza (250 mL). No utilice blanqueador ni decolorante ni productos Oxi en el mismo ciclo con blanqueador líquido con cloro.

6. Agregue suavizante de telas líquido



Vierta una cantidad medida de suavizante de telas líquido en el depósito; siempre siga las instrucciones del fabricante para usar la cantidad correcta de suavizante de telas según el tamaño de la carga. El suavizante de telas se agrega durante el último enjuague.

IMPORTANTE: No sobrellene ni diluya. Sobrellenar el depósito hará que el suavizante de telas se distribuya inmediatamente en la lavadora.

Es normal que quede un poco de agua en el depósito al final del ciclo.

NOTA: El depósito de suavizante de telas rota alrededor de la canasta de lavado y es posible que no esté en el mismo lugar todo el tiempo.

7. Toque POWER (Encendido) para encender la lavadora



Cierre la tapa de la lavadora. La lavadora no se llenará, no agitará ni centrifugará con la tapa abierta. Cerciérese de que el cajón del depósito esté cerrado por completo, luego presione POWER (Encendido) para encender la lavadora.

8. Seleccione el tamaño de la carga

- Large
- Medium
- Small

Load Size

Presione el botón Load Size (Tamaño de la carga) para seleccionar el ajuste apropiado para la carga y el tipo de tela que se va a lavar. Seleccione un nivel de agua que permita que la carga se mueva libremente para el mejor cuidado de las telas.

Cuando se seleccione Medium (Medio) con los ciclos Normal o Heavy (Pesado,) la lavadora detectará el tamaño de la carga y regulará la cantidad de agua requerida.

Se puede cambiar el ajuste del nivel de agua mientras la lavadora se está llenando. Si cambia de Large (Grande) a Medium (Medio) pero se ha llenado de agua más del Medium (Medio), el próximo llenado se llenará hasta la mitad.

9. Seleccione la temperatura de lavado

- Hot
 - Warm
 - Cold
- CONTROL LOCK

Wash Temp

CONTROL LOCK
HOLD 3 SEC

Fije la temperatura del agua para el tipo de tejido y la suciedad que va a lavar. Use el agua de lavado más caliente que la tela pueda resistir. Siga las instrucciones de la etiqueta de las prendas.

Para instalaciones portátiles

Abra los grifos conectados a las mangueras de suministro de agua.

Las temperaturas de lavado y enjuague se fijan en el grifo. El control de la temperatura no regula la temperatura.

Regule los grifos de agua caliente y fría a la temperatura de lavado deseada. Mantenga el control de la temperatura ajustado en Cold (Fría).

NOTA: El ajuste frío permite que el agua del grifo entre en la lavadora, pero no controla la temperatura del agua que entra.

Para usar una temperatura de enjuague que sea diferente de la temperatura de lavado, deberá regular la temperatura del agua en el grifo después de que la lavadora haya terminado el llenado inicial.

Para probar la temperatura del agua, presione el botón rojo del flujo de agua que está sobre el conector de la manguera. Se liberará agua cuando se presione el botón, lo cual permite tener una muestra de la temperatura.

Para instalaciones permanentes

Los ciclos de enjuague y centrifugado usan de manera predeterminada un enjuague con agua fría; todos los otros ciclos usan de manera predeterminada un enjuague con agua tibia. Presione el botón Wash Temp (Temperatura de lavado) para elegir una temperatura de lavado distinta.

Cómo seleccionar la temperatura del agua

NOTA: siempre lea y siga las instrucciones de las etiquetas de cuidado de las telas para evitar daños a sus prendas.

Temperatura del agua	Telas sugeridas
Hot (Caliente)	Ropa blanca y de color pastel Artículos durables Suciedad profunda
Warm (Tibia)	Colores vivos Suciedad entre moderada y ligera
Cold (Fría)	Colores que destiñen o se opacan Suciedad ligera

NOTA: En temperaturas de agua de lavado inferiores a 60°F (15,6°C), los detergentes no se disuelven bien. Además puede ser difícil quitar la suciedad. Algunas telas pueden retener las arrugas del uso y aumentar la formación de motitas (la formación de bolitas como pelusa en la superficie de las prendas).

10. Seleccione un CYCLE (Ciclo)

- Normal
- Delicate
- Heavy
- Rinse
- Spin
- Clean Washer

Cycle Select

Presione el botón Cycle Select (Selección de ciclos) para seleccionar el ciclo de lavado. Consulte la “Guía de ciclos” para obtener más detalles sobre las características de los ciclos.

11. Presione START/PAUSE (Inicio/Pausa) para iniciar el ciclo de lavado



Presione START/PAUSE (Inicio/Pausa) para comenzar el ciclo de lavado. Cuando haya terminado el ciclo, sonará la señal de fin de ciclo (si se ha fijado). Saque las prendas de inmediato cuando se haya terminado el ciclo para evitar olores, reducir la formación de arrugas y evitar que se herrumbren los ganchos de metal, las cremalleras y los broches a presión.

Cómo desbloquear la tapa para agregar prendas

Si necesita abrir la tapa para agregar 1 o 2 prendas que se le hayan olvidado:

Presione START/PAUSE (Inicio/Pausa) para que la lavadora haga una pausa; la tapa se desbloqueará una vez que la lavadora haya dejado de moverse. Esto puede tardar varios minutos si la carga estaba centrifugándose a alta velocidad. Luego cierre la tapa y presione nuevamente START/PAUSE (Inicio/Pausa) para volver a comenzar el ciclo.

Para detener o reanudar la marcha de la lavadora

- Para detener la lavadora en cualquier momento, presione START/PAUSE (Inicio/Pausa) y el ciclo hará una pausa.
- Para volver a iniciar la lavadora, presione START/PAUSE (Inicio/Pausa) y el ciclo se reanudará.

CUIDADO DE LA LAVADORA

Mangueras de entrada de agua

Reemplace las mangueras de entrada después de 5 años de uso para reducir el riesgo de que fallen. Inspeccione periódicamente y cambie las mangueras si encuentra protuberancias, torceduras, cortes, desgaste o pérdidas de agua.

Cuando reemplace las mangueras de entrada de agua, anote la fecha de reposición en la etiqueta con un marcador permanente.

Cuidado de la lavadora

Recomendaciones para ayudar a mantener la lavadora limpia y con óptimo rendimiento

1. Use siempre detergentes de alto rendimiento y siga las instrucciones del fabricante del detergente de alto rendimiento acerca de la cantidad de detergente de alto rendimiento que debe usar. Nunca use más de la cantidad recomendada, ya que puede acelerar la acumulación de residuos de detergente y suciedad en la lavadora, lo que puede causar un olor no deseado.
2. A veces, use lavados con agua tibia y caliente (no solamente lavados con agua fría), ya que pueden controlar mejor el ritmo en el cual se acumulan la suciedad y el detergente.
3. Deje siempre la tapa de la lavadora abierta entre un uso y otro, para ayudar a que la máquina se termine de secar y evitar la acumulación de residuos causantes de olores.

Limpieza de la lavadora de carga superior

Lea estas instrucciones completamente antes de comenzar el proceso de limpieza de rutina que se recomienda a continuación. El ciclo de Limpiar la lavadora deberá efectuarse una vez al mes o cada 30 ciclos de lavado como mínimo, lo primero que ocurra, para controlar el ritmo en el cual puedan acumularse la suciedad y el detergente en la lavadora.

Cómo limpiar el interior de la lavadora

Para mantener la lavadora libre de olores, siga las instrucciones de uso detalladas arriba y utilice este procedimiento mensual de limpieza que recomendamos a continuación:

Ciclo Clean Washer (Limpiar la lavadora)

Esta lavadora tiene un ciclo especial que utiliza mayores volúmenes de agua junto con limpiador para lavadora o con blanqueador líquido con cloro para limpiar el interior de la lavadora.

Comience el procedimiento

1. **Procedimiento del ciclo con limpiador para lavadora (se recomienda para un rendimiento óptimo):**
 - a. Abra la puerta de la lavadora y saque la ropa o los artículos que hubiera.
 - b. Agregue una tableta de limpiador para lavadora al tambor de la lavadora.
 - c. No agregue la tableta de limpiador para lavadora al cajón del depósito de detergente.
 - d. No agregue detergente ni ningún otro producto químico a la lavadora cuando siga este procedimiento.
 - e. Cierre la puerta de la lavadora.
 - f. Seleccione el ciclo Clean Washer (Limpiar la lavadora).
 - g. Presione START/PAUSE (Inicio/Pausa) para comenzar el ciclo. A continuación se describe cómo funciona el ciclo Clean Washer (Limpiar la lavadora).

Cuidado de la lavadora (cont.)

NOTA: para obtener resultados óptimos, no interrumpa el ciclo. Si debe interrumpir el ciclo, presione POWER (Encendido). (Para los modelos sin el botón Power/Cancel [Encendido/Cancelar], mantenga presionado START/PAUSE [Inicio/Pausa] durante tres segundos.) Después de que se detenga el ciclo Clean Washer (Limpiar la lavadora), ponga en marcha un ciclo RINSE (Enjuague) para enjuagar el limpiador de la lavadora.

2. Procedimiento con blanqueador con cloro (alternativo):

- a. Abra la puerta de la lavadora y saque la ropa o los artículos que hubiera.
- b. Agregue 1 taza (236 mL) de blanqueador líquido con cloro al depósito del blanqueador.

NOTA: El uso de más blanqueador líquido con cloro de lo recomendado anteriormente puede ocasionar daños en la lavadora con el paso del tiempo.

- c. Cierre la tapa de la lavadora.
- d. No agregue detergente ni ningún otro producto químico a la lavadora cuando siga este procedimiento.
- e. Seleccione el ciclo Clean Washer (Limpiar la lavadora).
- f. Presione START/PAUSE (Inicio/Pausa) para comenzar el ciclo. A continuación se describe cómo funciona el ciclo Clean Washer (Limpiar la lavadora).

NOTA: para obtener resultados óptimos, no interrumpa el ciclo. Si debe interrumpir el ciclo, presione POWER (Encendido). (Para los modelos sin el botón Power/Cancel [Encendido/Cancelar], mantenga presionado START/PAUSE [Inicio/Pausa] durante 3 segundos.) Después de que se detenga el ciclo Clean Washer (Limpiar la lavadora), ponga en marcha un ciclo Rinse (Enjuague) para enjuagar el limpiador de la lavadora.

Descripción del funcionamiento del ciclo Clean Washer (Limpiar la lavadora):

1. Este ciclo llenará la lavadora de agua hasta un nivel de agua más alto que los ciclos normales de lavado para enjuagar a un nivel por encima de la línea de agua de un ciclo normal.
2. Durante este ciclo, habrá algo de agitación y centrifugado para eliminar mejor la suciedad.

Una vez que haya finalizado el ciclo, deje la tapa abierta para que haya una mejor ventilación y secado del interior de la lavadora.

Limpieza de los depósitos

Después de usar la lavadora durante cierto tiempo, es posible que encuentre acumulación de residuos en los depósitos. Para quitar los restos de los depósitos, límpielos con un paño húmedo y seque con una toalla. No intente sacar los depósitos ni el borde para la limpieza. Los depósitos y el borde no se pueden sacar. Si su modelo tiene un cajón de depósito, sin embargo, saque el cajón y límpielo antes o después de poner en marcha el ciclo Clean Washer (Limpiar la lavadora). Use un limpiador multiuso para superficies, si es necesario.

Cómo limpiar el exterior de la lavadora

Use un paño suave y húmedo o una esponja para limpiar cualquier derrame. Utilice sólo limpiadores o jabones suaves para limpiar las superficies externas de la lavadora.

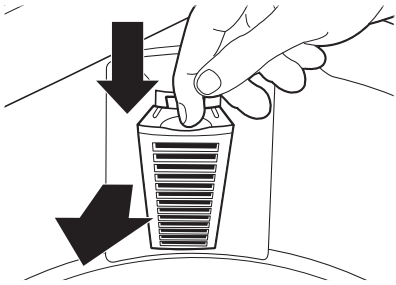
IMPORTANTE: Para evitar dañar el acabado de la lavadora, no use productos abrasivos.

Cuidado de la lavadora (cont.)

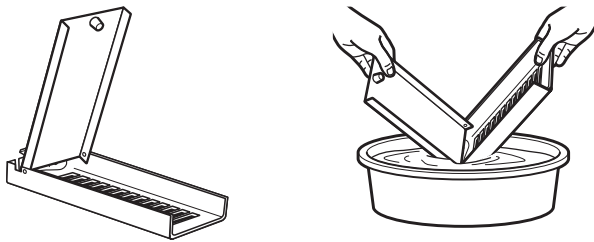
Limpieza del filtro de pelusa

Limpie el filtro después de cada carga.

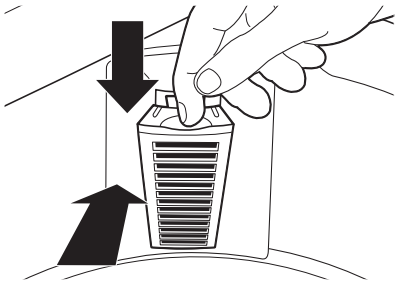
1. Presione el botón hacia abajo y luego hacia afuera para extraer el filtro de pelusa.



2. Abra el filtro de pelusa y limpie con agua.



3. Inserte primero la base del filtro de pelusa, luego presione hacia abajo y hacia adentro para volver a colocar el filtro.



Transporte de la lavadora

1. Cierre ambos grifos de agua. Desconecte y elimine el agua de las mangueras de entrada de agua.
2. Si se va a trasladar la lavadora durante una temporada de invierno riguroso, siga las instrucciones descritas en CUIDADO PARA EL ALMACENAMIENTO DURANTE EL INVIERNO antes de la mudanza.
3. Desconecte la manguera de desagüe del sistema de desagüe y de la parte posterior de la lavadora.
4. Desenchufe el cable eléctrico.
5. Ponga las mangueras de entrada y la manguera de desagüe en el interior del tambor de la lavadora.
6. Ate el cable eléctrico con una goma elástica o una atadura para cable para evitar que cuelgue sobre el piso.

Cuidado durante períodos sin uso y en las vacaciones

Ponga a funcionar la lavadora únicamente cuando esté en casa. Si va a mudarse o no va a usar la lavadora durante cierto tiempo, siga esos pasos:

1. Desenchufe o desconecte el suministro de energía a la lavadora.
2. Cierre el suministro de agua a la lavadora para evitar inundaciones debidas a aumentos en la presión del agua.
3. Limpie los depósitos. Vea "Limpieza de los depósitos."

Cuidado para el almacenamiento durante el invierno

IMPORTANTE: Para evitar daños, instale y guarde la lavadora en un lugar donde no se vaya a congelar. Debido a que puede quedar un poco de agua en las mangueras, el congelamiento puede dañar la lavadora. Si va a almacenar o mover la lavadora durante una temporada de temperaturas de congelamiento, acondiciónela para el invierno.

Para acondicionar la lavadora para el invierno:

1. Cierre ambos grifos de agua, desconecte y escurra el agua de las mangueras de llenado.
2. Vierta un 1 cuarto (1 L) de anticongelante tipo R.V. en el tambor de la lavadora y ponga a funcionar la lavadora en un ciclo Normal durante unos 2 minutos para mezclar el anticongelante con el agua restante.
3. Desenchufe la lavadora o desconecte el suministro de energía.

⚠ ADVERTENCIA



Peligro de Choque Eléctrico

Conecte a un contacto de pared de conexión a tierra de 3 terminales.

No quite la terminal de conexión a tierra.

No use un adaptador.

No use un cable eléctrico de extensión.

No seguir estas instrucciones puede ocasionar la muerte, incendio o choque eléctrico.

Cómo reinstalar o usar la lavadora nuevamente

Para reinstalar la lavadora después de falta de uso, vacaciones, almacenamiento durante el invierno o mudanza:

1. Consulte las Instrucciones de instalación para ubicar, nivelar y conectar la lavadora.
2. Antes de usar la lavadora nuevamente, póngala a funcionar siguiendo el procedimiento recomendado a continuación:

Para volver a usar la lavadora:

1. Deje correr el agua por los tubos y las mangueras. Vuelva a conectar las mangueras de entrada de agua. Abra ambos grifos de agua.
2. Enchufe la lavadora o reconecte el suministro de energía.
3. Ponga a funcionar la lavadora en el ciclo Heavy (Intenso) para limpiarla y para extraer el anticongelante, de haberlo usado. Use solamente un detergente de alto rendimiento (HE). Use la mitad de la cantidad recomendada por el fabricante para una carga de tamaño mediano.

SOLUCIÓN DE PROBLEMAS

Pruebe primero las soluciones sugeridas aquí para obtener asistencia y si es posible evitar una visita de servicio.

Si experimenta lo siguiente	Causas posibles	Solución
Vibración o desequilibrio		
Vibración, balanceo o "desplazamiento"	Es posible que los pies no estén haciendo contacto con el piso y no estén bloqueados.	Los pies o las ruedas delanteras y traseras deben hacer contacto firme con el piso y la lavadora debe estar nivelada para funcionar adecuadamente.
	Es posible que la lavadora no esté nivelada.	Revise si el piso está irregular o hundido. Si el piso no está parejo, una pieza de madera contrachapada de 3/4" (19 mm) debajo de la lavadora reducirá el sonido. Vea "Nivelación de la lavadora" en las Instrucciones de instalación.
Vibración durante el centrifugado o la lavadora se detuvo	La carga podría estar desequilibrada.	Cargue las prendas de modo parejo en montones flojos alrededor de la placa de lavado. El agregado de artículos mojados o de más agua a la canasta podría causar un desequilibrio en la lavadora.
		Evite lavar un solo artículo. Para lograr equilibrio, cargue un artículo como una alfombra o chaqueta de mezclilla con unos pocos artículos adicionales. Redistribuya la carga, cierre la tapa y presione START/PAUSE (Inicio/Pausa).
		El artículo o la carga no es adecuado para el ciclo seleccionado. Consulte la "Guía de ciclos" y "Uso de la lavadora".
Ruidos		
Ruidos de chasquidos o metálicos	Puede haber objetos atrapados en el sistema de desagüe de la lavadora.	Vacíe los bolsillos antes del lavado. Los artículos sueltos, tales como monedas, podrían caer entre la canasta y el tambor o bloquear la bomba. Tal vez sea necesario solicitar servicio técnico para quitar los artículos.
		Es normal escuchar el ruido de los artículos de metal en las prendas, como broches a presión de metal, hebillas o cremalleras cuando tocan la canasta de acero inoxidable.
Gorgoteo o zumbido	La lavadora puede estar desaguándose.	Es normal oír que la bomba produzca un sonido continuo de zumbido, con gorgoteos periódicos o repentinos a medida que salen los últimos restos de agua durante los ciclos de centrifugado/desagüe.
Zumbido	Es posible que esté en marcha una detección de la carga.	Puede ser que escuche el zumbido de los giros de detección después de haber puesto en marcha la lavadora. Eso es normal.
Runruneos	Es posible que se esté reduciendo la velocidad de la canasta.	Puede que oiga el sonido de runruneo cuando la canasta reduce la velocidad. Eso es normal.
Fugas de agua		
Verifique lo siguiente para una instalación correcta:	La lavadora no está nivelada.	Es posible que se salpique agua de la canasta si la lavadora no está nivelada.
	Las mangueras de llenado no están bien apretadas.	Apriete la conexión de la manguera de llenado.
	Arandelas de la manguera de llenado.	Cerciórese de que las arandelas planas de las mangueras de llenado estén debidamente asentadas.
	Conexión de la manguera de desagüe.	Asegure de modo apropiado la manguera de desagüe al tubo vertical o la tina de lavadero.
		No coloque cinta adhesiva sobre la abertura del desagüe.
	Revise la plomería de la casa para ver si hay fugas o si el fregadero o el desagüe están obstruidos.	Es posible que el agua se salga de un lavadero o tubo vertical bloqueado. Revise toda la plomería de la casa y fíjese si hay fugas de agua (tinajas de lavadero, tubo de desagüe, tubos de agua y grifos).
No se ha cargado la lavadora según lo recomendado.	Una carga desequilibrada puede hacer que la canasta quede desalineada y que salpique agua fuera de la tina. Vea "Uso de la lavadora" para obtener instrucciones sobre cómo cargar.	
La lavadora no funciona como se esperaba		
No hay suficiente agua en la lavadora	La carga no está completamente cubierta de agua.	Ese es el funcionamiento normal para una lavadora de alto rendimiento (HE) con bajo nivel de agua. La carga no estará sumergida por completo en el agua. La lavadora detecta el tamaño de las cargas y agrega la cantidad correcta de agua para la limpieza óptima. IMPORTANTE: no agregue más agua a la lavadora. El agua que se agregue levantará las prendas y las separará de la placa de lavado, lo que ocasionará una acción de limpieza menos eficaz.
		Haga funcionar el ciclo Clean Washer (Limpiar la lavadora) para optimizar el nivel de agua y el rendimiento del lavado.

SOLUCIÓN DE PROBLEMAS

Pruebe primero las soluciones sugeridas aquí para obtener asistencia y si es posible evitar una visita de servicio.

Si experimenta lo siguiente	Causas posibles	Solución
La lavadora no funciona como se esperaba (cont.)		
La lavadora no funciona o no se llena, la lavadora se detiene	Verifique que haya el suministro adecuado de agua.	Las mangueras deben estar instaladas y tener flujo de agua hacia la válvula de entrada.
		Los grifos de agua deben estar abiertos.
		Revise que los filtros de la válvula de entrada no se hayan obstruido.
		Revise si hay torceduras en las mangueras de entrada, las cuales pueden restringir el flujo de agua.

⚠ ADVERTENCIA



Peligro de Choque Eléctrico

Conecte a un contacto de pared de conexión a tierra de 3 terminales.

No quite la terminal de conexión a tierra.

No use un adaptador.

No use un cable eléctrico de extensión.

No seguir estas instrucciones puede ocasionar la muerte, incendio o choque eléctrico.

La lavadora no funciona o no se llena, la lavadora se detiene (cont.)	Verifique que el suministro eléctrico sea el adecuado.	Enchufe el cable eléctrico a un tomacorriente de 3 terminales con conexión a tierra.
		No use un cable eléctrico de extensión.
		Cerciórese de que haya suministro eléctrico en el tomacorriente.
		Reposicione el disyuntor si se ha disparado. Reemplace los fusibles que se hayan quemado. NOTA: si los problemas continúan, contacte a un electricista.
	Funcionamiento normal de la lavadora.	La tapa deberá estar cerrada para que funcione la lavadora.
		La lavadora hará una pausa durante ciertas fases del ciclo. No interrumpa el ciclo.
		Es posible que la lavadora se haya detenido para reducir la espuma.
	Puede ser que la lavadora se haya cargado de manera apretada.	Saque varios artículos y vuelva a arreglar la carga uniformemente alrededor de la placa de lavado. Cierre la tapa y presione START/PAUSE (Inicio/Pausa).
Agregue solamente 1 o 2 artículos adicionales después de que haya comenzado el ciclo.		
No agregue más agua a la lavadora.		
No se está usando detergente de alto rendimiento (HE) o se está usando demasiado del mismo.	Use solamente un detergente de alto rendimiento (HE). La espuma que producen los detergentes comunes puede reducir la velocidad de la lavadora o detenerla. Mida siempre el detergente y siga las indicaciones del producto según los requisitos de la carga.	
	Para quitar la espuma, anule el ciclo. Seleccione RINSE (Enjuague) y después SPIN (Centrifugado). No agregue más detergente.	
La lavadora no desagua/centrifuga, las cargas todavía están húmedas	Es posible que artículos pequeños hayan quedado atrapados en la bomba o entre la canasta y la tina, lo que puede hacer más lento el desagüe.	Vacíe los bolsillos y use bolsas para prendas para los artículos pequeños.
	Está usando ciclos con una velocidad de centrifugado más baja.	Los ciclos con velocidades de centrifugado más bajas quitan menos agua que los ciclos con velocidades de centrifugado más altas. Use el ciclo/la velocidad de centrifugado recomendados para la prenda.
	La lavadora puede estar cargada de manera apretada o desequilibrada.	Las cargas muy apretadas posiblemente no permitan que la lavadora centrifugue correctamente y dejen las cargas más mojadas de lo normal. Distribuya la carga mojada de modo uniforme para que pueda girar en equilibrio. Seleccione SPIN (Centrifugado) para eliminar el exceso de agua. Vea "Uso de la lavadora" para obtener recomendaciones sobre cómo cargar.

SOLUCIÓN DE PROBLEMAS

Pruebe primero las soluciones sugeridas aquí para obtener asistencia y si es posible evitar una visita de servicio.

Si experimenta lo siguiente	Causas posibles	Solución	
La lavadora no funciona como se esperaba (cont.)			
La lavadora no desagua/centrifuga, las cargas todavía están húmedas (cont.)	Carga desequilibrada.	Consulte "Vibración o desequilibrio" en la sección de "Solución de problemas" para obtener más información.	
	Revise la plomería para ver si está instalada correctamente la manguera de desagüe. La manguera de desagüe se extiende dentro del tubo vertical más de 4,5" (114 mm).	Revise que la manguera de desagüe esté instalada correctamente. Use el molde de la manguera de desagüe y sujételo bien al tubo vertical o a la tina. No ponga cinta adhesiva sobre la abertura del desagüe. Baje la manguera de desagüe si el extremo está a más de 72" (183 cm) por encima del piso. Quite lo que esté obstruyendo la manguera de desagüe.	
	No se está usando detergente de alto rendimiento (HE) o se está usando demasiado del mismo.	La espuma producida por el detergente común o el uso de demasiado detergente puede reducir la velocidad o detener el desagüe o el centrifugado. Use solamente un detergente de alto rendimiento (HE). Mida siempre el detergente y siga las instrucciones del mismo para su carga. Para quitar el exceso de espuma, seleccione RINSE (Enjuague). No agregue detergente.	
Temperaturas incorrectas o equivocadas de lavado o enjuague	Verifique que haya el suministro adecuado de agua.	Para instalaciones permanentes, cerciórese de que las mangueras de entrada de agua caliente y fría no estén invertidas. Para instalaciones portátiles, ajuste la temperatura del agua en el grifo.	
		Para instalaciones permanentes, ambas mangueras deben estar instaladas en la lavadora y en el grifo y deben tener flujo de agua caliente y fría hacia la válvula de entrada.	
		Revise que los filtros de la válvula de entrada no estén obstruidos.	
		Enderece las torceduras que pueda haber en las mangueras.	
La carga no está enjuagada	Verifique que haya el suministro adecuado de agua.	Para instalaciones permanentes, cerciórese de que las mangueras de entrada de agua caliente y fría no estén invertidas.	
		Las mangueras deben estar instaladas y tener flujo de agua hacia las válvulas de entrada o el grifo.	
		Para instalaciones permanentes, ambos grifos de agua fría y caliente deben estar abiertos. Para instalaciones portátiles, el grifo del fregadero debe estar abierto.	
		Es posible que estén obstruidos los filtros de la válvula de entrada en la lavadora.	
		Enderece las torceduras que pueda haber en la manguera de entrada.	
	No se está usando detergente de alto rendimiento (HE) o se está usando demasiado del mismo.	La espuma ocasionada por un detergente común puede ocasionar que la lavadora funcione incorrectamente.	
		Use solamente un detergente de alto rendimiento (HE). Cerciórese de medirlo correctamente.	
		Mida siempre el detergente y siga las indicaciones del producto según el tamaño de la carga y el nivel de suciedad.	
		Puede ser que la lavadora se haya cargado de manera apretada.	La lavadora es menos eficaz en el enjuague cuando la carga está apretada.
			Cargue las prendas de modo parejo en montones flojos alrededor de la placa de lavado.
Use el ciclo diseñado para las telas que se van a lavar.			
Agregue solamente 1 o 2 artículos adicionales después de que haya comenzado el ciclo.			
Hay arena, pelo de mascotas, pelusa, etc. en la carga después del lavado	La arena, el pelo de mascotas, la pelusa o los restos de detergente o blanqueador pueden requerir enjuague adicional.	Ponga a funcionar un ciclo de enjuague adicional.	
La carga está enredada	No se ha cargado la lavadora según lo recomendado.	Cargue las prendas de modo parejo en montones flojos alrededor de la placa de lavado.	
		Reduzca los enredos mezclando diferentes tipos de artículos en la carga. Use el ciclo recomendado para el tipo de prendas que se van a lavar.	
	Acción de lavado y/o velocidad de centrifugado demasiado rápidas para la carga.	Seleccione un ciclo con una acción de lavado y una velocidad de centrifugado más lentas. Tenga en cuenta que los artículos estarán más mojados que cuando se usa una velocidad más alta de centrifugado.	
No limpia ni quita las manchas	La carga de lavado no está completamente cubierta de agua.	La lavadora detecta el tamaño de la carga y agrega la cantidad correcta de agua. Esto es normal y es necesario para que la ropa se mueva.	
	Se ha agregado más agua a la lavadora.	No agregue más agua a la lavadora. El agua que se agregue levantará las prendas y las separará de la placa de lavado, lo que ocasionará una acción de limpieza menos eficaz.	
	No se ha cargado la lavadora según lo recomendado.	Cargue las prendas de modo parejo en montones flojos alrededor de la placa de lavado. Agregue solamente 1 o 2 artículos adicionales después de que haya comenzado el ciclo.	

SOLUCIÓN DE PROBLEMAS

Pruebe primero las soluciones sugeridas aquí para obtener asistencia y si es posible evitar una visita de servicio.

Si experimenta lo siguiente	Causas posibles	Solución
La lavadora no funciona como se esperaba (cont.)		
No limpia ni quita las manchas (cont.)	No se está usando detergente de alto rendimiento (HE) o se está usando demasiado.	Es posible que la espuma ocasionada por un detergente común impida que la lavadora funcione correctamente.
		Use solamente un detergente de alto rendimiento (HE). Cerciórese de medirlo correctamente.
		Mida siempre el detergente y siga las indicaciones del producto según el tamaño de la carga y el nivel de suciedad.
	No está usando el ciclo correcto para el tipo de tela.	Use una opción de ciclo para nivel de suciedad más alto y una temperatura de lavado más caliente para mejorar la limpieza.
		Para una limpieza profunda, use el ciclo Heavy (Intenso).
		Consulte la "Guía de ciclos" para elegir el mejor ciclo para su carga.
	No está usando los depósitos.	Use los depósitos para evitar que el blanqueador con cloro y el suavizante de telas manchen la ropa.
		Cargue los depósitos antes de comenzar un ciclo.
		Evite llenar en exceso.
	No está lavando los colores similares juntos.	No agregue los productos directamente sobre la carga.
		Lave los colores similares juntos y quite la carga inmediatamente después de que se termine el ciclo, para evitar la transferencia de tinte.
	Olores	No se ha hecho el mantenimiento mensual según lo recomendado.
Descargue la lavadora en cuanto termine el ciclo.		
No se está usando detergente de alto rendimiento (HE) o se está usando demasiado.		Use solamente un detergente de alto rendimiento (HE). Cerciórese de medirlo correctamente.
		Siga siempre las instrucciones del detergente.
		Vea la sección "Cuidado de la lavadora".
Daños en las telas	Había objetos filosos en los bolsillos durante el ciclo de lavado.	Vacíe los bolsillos, cierre las cremalleras, los broches de presión y los corchetes antes del lavado para evitar enganches y rasgaduras.
	Es posible que se hayan enredado los cordones y las fajas.	Ate todos los cordones y las fajas antes de comenzar a lavar la carga.
	Los artículos pueden haber estado dañados antes del lavado.	Remiende lo que esté roto y descosido antes del lavado.
	Las telas pueden dañarse si la carga está demasiado apretada.	Cargue las prendas de modo parejo en montones flojos alrededor de la placa de lavado.
		Los artículos de la carga deben moverse libremente durante el lavado para evitar daños.
		Use el ciclo diseñado para las telas que se van a lavar.
		Agregue solamente 1 o 2 artículos adicionales después de que haya comenzado el ciclo.
	Tal vez no se hayan seguido las instrucciones de cuidado de las prendas.	Lea y siga siempre las instrucciones de la etiqueta de cuidado proporcionadas por el fabricante de la prenda. Consulte la "Guía de ciclos" para elegir el mejor ciclo para su carga.
	El blanqueador líquido con cloro puede haberse agregado incorrectamente.	No vierta el blanqueador líquido con cloro directamente en la carga. Limpie los derrames del blanqueador.
		El blanqueador no diluido dañará las telas. No use más de lo recomendado por el fabricante.
No coloque artículos de la carga sobre el depósito del blanqueador cuando carga o descarga la ropa de la lavadora.		

SOLUCIÓN DE PROBLEMAS

Pruebe primero las soluciones sugeridas aquí para obtener asistencia y si es posible evitar una visita de servicio.

Si experimenta lo siguiente	Causas posibles	Solución
La lavadora no funciona como se esperaba (cont.)		
Funcionamiento incorrecto de depósitos	Los depósitos están obstruidos o los productos de lavandería se están distribuyendo demasiado pronto.	No sobrellene el depósito. El llenado en exceso ocasiona que los productos se distribuyan de inmediato.
		Cargue los depósitos antes de comenzar un ciclo.
		Es normal que quede un poco de agua en el depósito al final del ciclo.
		El suavizante de telas se espesa cuando envejece. Si aparece un aumento de suavizante de telas en el depósito después de un ciclo, revise la antigüedad del suavizante y reemplácelo si es necesario.
		En las casas con baja presión de agua, es posible que queden residuos de polvo en el depósito. Para evitar esto, seleccione si es posible una temperatura de lavado más elevada, dependiendo de la carga. No use paquetes de detergente de una sola dosis en el depósito; es posible que no se disuelvan correctamente y obstruyan el depósito.
	No se ha usado blanqueador líquido con cloro en el depósito.	Use solamente blanqueador líquido con cloro en el depósito del blanqueador.
El detergente en polvo no se disuelve por completo en la carga	Se está usando demasiado detergente HE.	Siga las instrucciones del fabricante para determinar la cantidad de detergente que debe usar.
	La temperatura del agua está muy fría.	Seleccione una temperatura de lavado más caliente.
		Pruebe con el agregado de detergente a la canasta antes de agregar la ropa, en lugar de usar el depósito de detergente.
No se disuelve el paquete de detergente de lavandería de una dosis única	Se está agregando el paquete de detergente de lavandería de modo incorrecto.	Cerciórese de que el paquete de detergente de lavandería se agregue a la canasta de la lavadora antes de agregar las prendas. Siga las instrucciones del fabricante para evitar que se dañen las prendas.
Aparece un código de error en la pantalla		
E1 – Alarma de entrada de agua	El nivel de agua no se alcanza después de 20 minutos.	Verifique que los grifos de agua no estén cerrados.
		Verifique que la presión de agua de la casa sea superior a 3 psi (20 kPa).
		Limpie las mallas de los filtros de las mangueras de entrada.
		Verifique que la manguera de desagüe no esté a menos de 39" (990 cm) del piso.
E2 – Alarma de desagüe	La lavadora sigue detectando agua después de desaguar durante 8 minutos.	Verifique que la manguera de desagüe no esté a más de 72" (183 cm) del piso.
		Quite cualquier obstrucción de la manguera de desagüe.
E3 – Alarma de desequilibrio	La lavadora puede estar cargada de manera apretada o la distribución de la ropa está desequilibrada.	Retire varios artículos, vuelva a organizar la carga de manera pareja alrededor de la placa de lavado y reinicie el ciclo de centrifugado.
E4 – Alarma de tapa abierta	La tapa se abre durante el ciclo de centrifugado.	Cierre la tapa.
EA o EC – Otros errores	Otro	Llame para pedir asistencia técnica. (Consulte la contraportada.)

CONTRATOS DE PROTECCIÓN

Contratos maestros de protección

¡Felicitaciones por su inteligente adquisición! Su nuevo producto Kenmore® está diseñado y fabricado para proporcionarle años de funcionamiento confiable.

Pero al igual que todos los productos, puede necesitar mantenimiento preventivo o reparación de vez en cuando. Es allí donde el Contrato maestro de protección puede ahorrarle dinero e inconvenientes.

El Contrato maestro de protección también ayuda a prolongar la vida de su nuevo producto. He aquí lo que se incluye en el Contrato*:

Piezas y mano de obra necesarias para ayudar a mantener los productos funcionando correctamente **bajo uso normal**, no sólo en caso de defectos. Nuestra cobertura va **mucho más allá de la garantía del producto**. No existen deducibles ni fallas de funcionamiento que estén excluidas de la cobertura – **protección verdadera**.

Servicio experto a cargo de un personal de más de 10.000 **técnicos de servicio autorizados por Sears**, lo que significa que su producto será reparado por alguien en quien usted puede confiar.

Llamadas de servicio ilimitado y servicio en todo el país, con la frecuencia que usted desee, cuando usted desee.

Reemplazo de su producto protegido si ocurren cuatro fallas o más del producto en el transcurso de doce meses.

Reemplazo del producto si su producto protegido no puede ser reparado.

Revisión anual de mantenimiento preventivo a solicitud suya – sin costo adicional.

Ayuda rápida por teléfono – lo que nosotros llamamos **Solución rápida** – apoyo por teléfono a cargo de un representante de Sears para todos los productos. Piense en nosotros como si fuéramos un “manual parlante para el propietario”.

Protección por sobrevoltaje contra daños eléctricos debido a fluctuaciones de electricidad.

Reembolso de la renta si la reparación de su producto protegido tarda más de lo prometido.

Descuento del 25% sobre el precio común por el servicio de reparación que no esté cubierto, así como también las piezas relacionadas con el mismo que se hayan instalado.

Una vez adquirido el Contrato, tan sólo tiene que llamar para fijar la visita de servicio técnico. Usted puede llamar a cualquier hora, de día o de noche, o fijar una visita técnica en Internet.

El Contrato maestro de protección es una compra sin riesgo. Si por algún motivo usted lo cancela durante el período de la garantía del producto, le proveeremos un reembolso total. O un reembolso proporcional en cualquier momento posterior a la expiración del período de la garantía. ¡Adquiera hoy su Contrato maestro de protección! **Se aplican algunas limitaciones y exclusiones. Para informarse sobre los precios y obtener información adicional, en los EE.UU. llame al 1-800-827-6655. *La cobertura en Canadá varía para algunos artículos. Para obtener los detalles completos, llame a Sears Canada al 1-800-361-6665.**

Servicio de instalación de Sears

Para la instalación profesional de Sears de aparatos electrodomésticos, abridores de puertas de garaje, calentadores de agua y otros artículos principales del hogar, en los EE.UU. llame a **1-844-553-6667** o en Canadá llame a **1-800-469-4663**.

GARANTÍA DE LOS ELECTRODOMÉSTICOS DE KENMORE

GARANTÍA LIMITADA DE KENMORE

DURANTE UN AÑO a partir de la fecha de venta de este electrodoméstico, el aparato posee garantía contra defectos en los materiales o en la mano de obra cuando se instale, opere y mantenga correctamente de acuerdo con todas las instrucciones provistas.

CON EL COMPROBANTE DE VENTA, un electrodoméstico defectuoso recibirá la reparación o sustitución gratuita, a discreción del vendedor.

Para obtener detalles de la cobertura de la garantía sobre reparaciones y repuestos sin cargo, visite la página web: www.kenmore.com/warranty.

Esta garantía es válida solamente durante 90 DÍAS a partir de la fecha de venta en los Estados Unidos, y no tiene validez en Canadá, si este electrodoméstico se utiliza en algún momento para fines que no sean domésticos.

Esta garantía cubre SOLAMENTE los defectos de material y mano de obra, y NO pagará por:

1. Los artículos no reutilizables que puedan gastarse con el uso normal, incluyendo, pero sin limitación, filtros, correas, bolsas y bombillas de luz con rosca en la base.
2. Un técnico de servicio para limpiar o mantener este electrodoméstico o para enseñarle al usuario la correcta instalación, uso y mantenimiento de este.
3. Visitas del servicio técnico para corregir la instalación del electrodoméstico la cual no fue realizada por agentes autorizados del servicio técnico de Sears, o para reparar problemas con fusibles domésticos, cortacircuitos, cableado de la casa y plomería o sistemas de suministro de gas que resulten de tal instalación.
4. Daños o fallas en el electrodoméstico que resulten de la instalación la cual no fue realizada por agentes autorizados de servicio técnico de Sears, lo que incluye instalaciones que no se realizaron de acuerdo con los códigos eléctricos, de gas o de plomería.
5. Daños o fallas en el electrodoméstico, lo que incluye decoloración u óxido en la superficie, si no se hizo un uso y mantenimiento correcto de acuerdo con todas las instrucciones provistas.
6. Daños o fallas en el electrodoméstico, lo que incluye decoloración u óxido en la superficie como consecuencia de un accidente, alteración, abuso, uso indebido o un uso diferente de aquél para el cual fue diseñado.

7. Daños o fallas en el electrodoméstico lo que incluye decoloración u óxido en la superficie causados por el uso de detergentes, limpiadores, productos químicos o utensilios diferentes de los recomendados en todas las instrucciones provistas con el producto.

8. Daños o fallas en piezas o sistemas como resultado de modificaciones no autorizadas que se hayan efectuado en este electrodoméstico.

9. Servicio técnico a un electrodoméstico si la placa de modelo y número de serie falta, está alterada o no puede determinarse con facilidad el logotipo de certificación correspondiente.

EXCLUSIÓN DE GARANTÍAS IMPLÍCITAS; LIMITACIÓN DE RECURSOS

El único y exclusivo recurso del cliente según los términos de esta garantía limitada será el de reparar o sustituir el producto según se estipula en la presente. Las garantías implícitas, incluyendo las garantías de comerciabilidad o de capacidad para un propósito particular, serán limitadas a un año o al período más corto permitido por ley. El vendedor no se hará responsable por daños incidentales o consecuentes. Algunos estados y provincias no permiten la exclusión o limitación de daños incidentales o consecuentes, la limitación acerca de cuánto debe durar una garantía implícita de comerciabilidad o capacidad, de modo que las limitaciones o exclusiones arriba mencionadas pueden no aplicarse en su caso.

Esta garantía se aplica sólo mientras este electrodoméstico se usa en los Estados Unidos o Canadá*.

Esta garantía le otorga derechos legales específicos, y es posible que usted tenga también otros derechos, los cuales varían de un estado a otro.

* El servicio de reparación a domicilio no está disponible para todas las áreas de Canadá y esta garantía no cubrirá los gastos de transporte o traslado del usuario o técnico de servicio si el producto se encuentra ubicado en un lugar remoto (de acuerdo con la definición de Sears Canada Inc.) donde no haya un técnico de servicio autorizado.

Sears Brands Management Corporation
Hoffman Estates, IL 60179 U.S.A.

Sears Canada Inc.
Toronto, Ontario, Canada M5B 2C3

TABLE DES MATIÈRES

SÉCURITÉ DE LA LAVEUSE	53	ENTRETIEN DE LA LAVEUSE.....	72
EXIGENCES D'INSTALLATION.....	55	DÉPANNAGE.....	75
INSTRUCTIONS D'INSTALLATION PERMANENTE.....	59	CONTRATS DE PROTECTION	81
INSTRUCTIONS POUR L'INSTALLATION PORTATIVE	63	GARANTIE	81
TABLEAU DE COMMANDE ET CARACTÉRISTIQUES	67	ASSISTANCE OU SERVICE	COUVERTURE ARRIÈRE
UTILISATION DE LA LAVEUSE	69		

SÉCURITÉ DE LA LAVEUSE

Votre sécurité et celle des autres est très importante.

Nous donnons de nombreux messages de sécurité importants dans ce manuel et sur votre appareil ménager. Assurez-vous de toujours lire tous les messages de sécurité et de vous y conformer.



Voici le symbole d'alerte de sécurité.

Ce symbole d'alerte de sécurité vous signale les dangers potentiels de décès et de blessures graves à vous et à d'autres.

Tous les messages de sécurité suivront le symbole d'alerte de sécurité et le mot "DANGER" ou "AVERTISSEMENT". Ces mots signifient :

 **DANGER**

Risque possible de décès ou de blessure grave si vous ne suivez pas immédiatement les instructions.

 **AVERTISSEMENT**

Risque possible de décès ou de blessure grave si vous ne suivez pas les instructions.

Tous les messages de sécurité vous diront quel est le danger potentiel et vous disent comment réduire le risque de blessure et ce qui peut se produire en cas de non-respect des instructions.

IMPORTANTES INSTRUCTIONS DE SÉCURITÉ

AVERTISSEMENT : Pour réduire les risques d'incendie, de choc électrique ou de blessures lors de l'utilisation de la laveuse, suivre les précautions fondamentales dont les suivantes :

- Lire toutes les instructions avant d'utiliser la laveuse.
- Ne pas laver des articles qui ont été nettoyés ou lavés avec de l'essence ou imbibés d'essence, solvants de nettoyage à sec, ou autres substances inflammables ou explosives; ces substances peuvent émettre des vapeurs susceptibles de s'enflammer ou d'exploser.
- Ne pas ajouter d'essence, solvant de nettoyage à sec ou autre produit inflammable ou explosif dans l'eau de lavage. Ces substances peuvent émettre des vapeurs susceptibles de s'enflammer ou d'exploser.
- Dans certaines conditions, de l'hydrogène gazeux peut se former dans un circuit d'eau chaude qui n'a pas été utilisé pendant 2 semaines ou plus. LE GAZ HYDROGÈNE EST EXPLOSIBLE. Si le circuit d'eau chaude n'a pas été utilisé pendant une telle période, avant d'utiliser la laveuse, ouvrir tous les robinets d'eau chaude et laisser l'eau s'écouler pendant plusieurs minutes par chaque robinet. Ceci permettra l'évacuation de l'hydrogène gazeux accumulé. Comme ce gaz est inflammable, ne pas fumer ou utiliser une flamme nue au cours de cette période.
- Ne pas laisser des enfants jouer sur ou à l'intérieur de la laveuse. Bien surveiller les enfants lorsque la laveuse est utilisée à proximité d'enfants.
- Avant de mettre la laveuse au rebut ou hors de service, enlever la porte ou le couvercle.
- Ne pas tenter d'atteindre un article à l'intérieur de la cuve de la laveuse lorsque le tambour, la cuve ou l'agitateur est en mouvement.
- Ne pas installer ou remiser cette laveuse à un endroit où elle serait exposée aux intempéries.
- Ne pas modifier les organes de commande.
- Ne pas réparer ou remplacer un composant quelconque de la laveuse, ni entreprendre une opération de service, si ce n'est spécifiquement recommandé dans ce manuel ou dans un manuel d'instructions de réparations destiné à l'utilisateur; il est alors essentiel que la personne concernée comprenne ces instructions et soit compétente pour les exécuter.
- Pour les instructions de liaison à la terre, voir "Spécifications électriques" dans les instructions d'installation.

CONSERVEZ CES INSTRUCTIONS

Avertissements de la proposition 65 de l'État de Californie :

AVERTISSEMENT : Ce produit contient au moins un produit chimique connu par l'État de Californie pour être à l'origine de cancers.

AVERTISSEMENT : Ce produit contient au moins un produit chimique connu par l'État de Californie pour être à l'origine de malformations et autres déficiences de naissance.

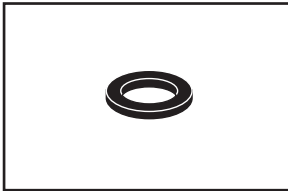
EXIGENCES D'INSTALLATION

Outils et pièces

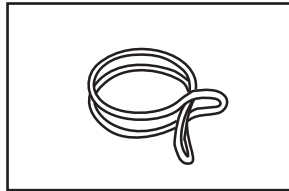
Rassembler les outils et pièces nécessaires avant d'entreprendre l'installation. Les pièces fournies se trouvent dans le panier de la laveuse.

Installation portative

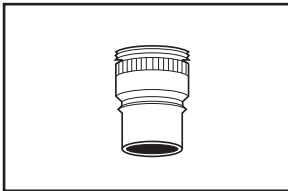
Pièces fournies :



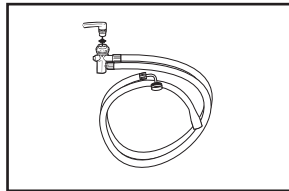
Rondelles plates pour l'adaptateur du robinet et tuyaux de remplissage



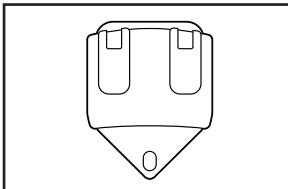
Bride de tuyau argentée à double fil pour tuyau (pour le bas du tuyau d'évacuation)



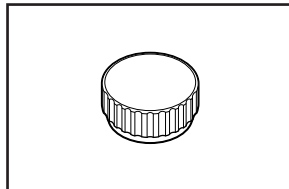
Adaptateur pour robinet



Tuyau de remplissage et vidange

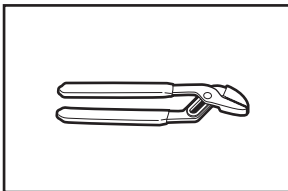


Tringle de tuyau

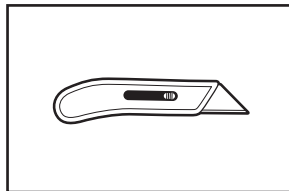


Capuchon de valve

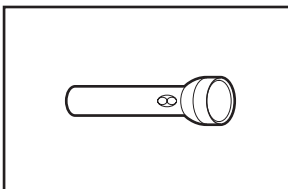
Outils nécessaires à l'installation :



Pince avec ouverture jusqu'à 1 1/16" (3,95 cm)



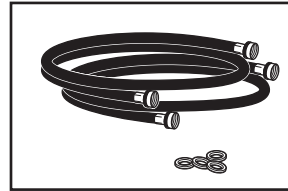
Couteau utilitaire



Lampe de poche (facultative)

Installation définitive

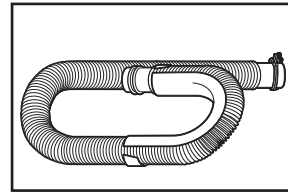
Pièces nécessaires (non fournies avec la laveuse) :



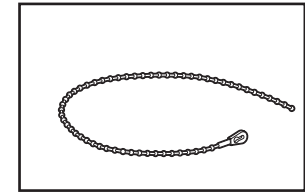
Tuyaux d'arrivée d'eau avec rondelles plates

REMARQUE : Remplacer les tuyaux d'arrivée d'eau après 5 ans d'utilisation pour réduire le risque de défaillance intempestive. Inscrive la date d'installation ou de remplacement des tuyaux pour référence ultérieure.

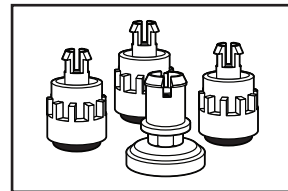
Pièces fournies :



Tuyau d'évacuation avec bride

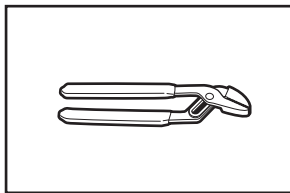


Attache-câble

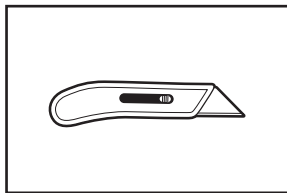


Pieds de nivellement

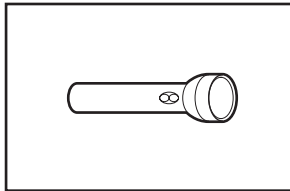
Outils nécessaires à l'installation



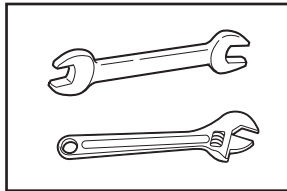
Pince avec ouverture jusqu'à 1 $\frac{1}{8}$ " (3,95 cm)



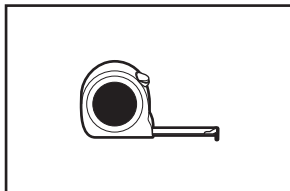
Couteau utilitaire



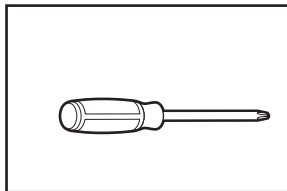
Lampe de poche (facultative)



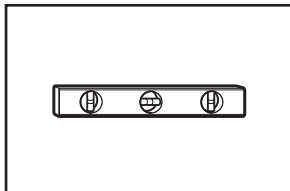
Clé plate ou clé à molette de $\frac{1}{2}$ " (14 mm)



Mètre ruban



Tournevis Phillips



Niveau

Pièces supplémentaires

Il se peut que l'installation nécessite des pièces supplémentaires. Pour connaître le processus de commande, consulter la couverture arrière de ce manuel.

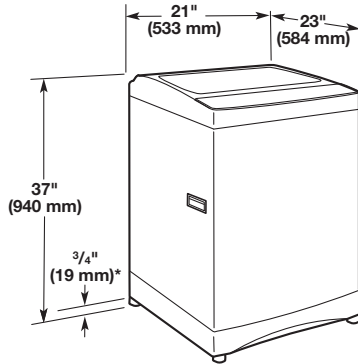
Si vous avez :	Vous devrez acheter :
Évier de buanderie ou tuyau de rejet à l'égout plus haut que 72" (183 cm)	Système de pompe de puisard (si non déjà disponible)
Tuyau de rejet à l'égout de 1" (2,5 cm) de diamètre	Un adaptateur de 2" (5 cm) à 1" (2,5 cm) de diamètre pour le tuyau de rejet à l'égout, no de pièce 3363920.
Égout surélevé	Tuyau de vidange standard de 20 gal (76 L) de 39" (990 mm) de haut ou évier de décharge, pompe de puisard et connecteurs (disponibles chez les vendeurs de matériel de plomberie locaux)
Égout au sol	Brise-siphon, no de pièce 285320, tuyau de vidange supplémentaire, no de pièce 3357090 et kit de connexion, no de pièce 285442
Robinets d'eau hors d'atteinte des tuyaux d'alimentation	2 tuyaux d'admission d'eau plus longs : 6 pi (1,8 m) – no de pièce 76314 10 pi (3,0 m) – no de pièce 350008
Tuyau de vidange trop court	Tuyau de vidange, no de pièce 388423 et kit de tuyaux, no de pièce 285442
Tuyau de vidange trop long	Kit de tuyaux, no de pièce 285442
Le système d'évacuation obstrué par de la charpie	Protecteur de canalisation, no de pièce 367031

Exigences d'emplacement

Le choix d'un emplacement approprié pour la laveuse en améliore le rendement et réduit au minimum le bruit et le "déplacement" de la laveuse.

La laveuse peut être installée dans un sous-sol, une salle de buanderie, un placard ou un encastrement. Voir "Système de vidange".

Dimensions de la laveuse



*Mesure minimum avec pieds de nivellement

IMPORTANT : Ne pas installer ou remiser la laveuse dans un endroit où elle sera exposée aux intempéries.

C'est à l'utilisateur qu'incombe la responsabilité de réaliser une installation correcte.

Il vous faudra :

- Un chauffe-eau pour fournir de l'eau à 120°F (49°C) à la laveuse.
- Une prise électrique reliée à la terre située à moins de 5 pi (1,5 m) de la prise du cordon électrique se trouvant à l'arrière de la laveuse. Voir "Spécifications électriques".
- Des robinets d'eau chaude et d'eau froide situés à 3½ pi (1,1 m) des valves de remplissage d'eau chaude et d'eau froide et une pression d'eau de 5–100 psi (34,5–690 kPa).
- Un plancher de niveau ayant une pente maximale de ¾" (1,9 cm) sous l'ensemble de la laveuse. L'installation de la laveuse sur du tapis n'est pas recommandée.
- Un plancher robuste pour supporter la laveuse avec un poids total (laveuse, eau et charge) de 225 lb (102 kg).

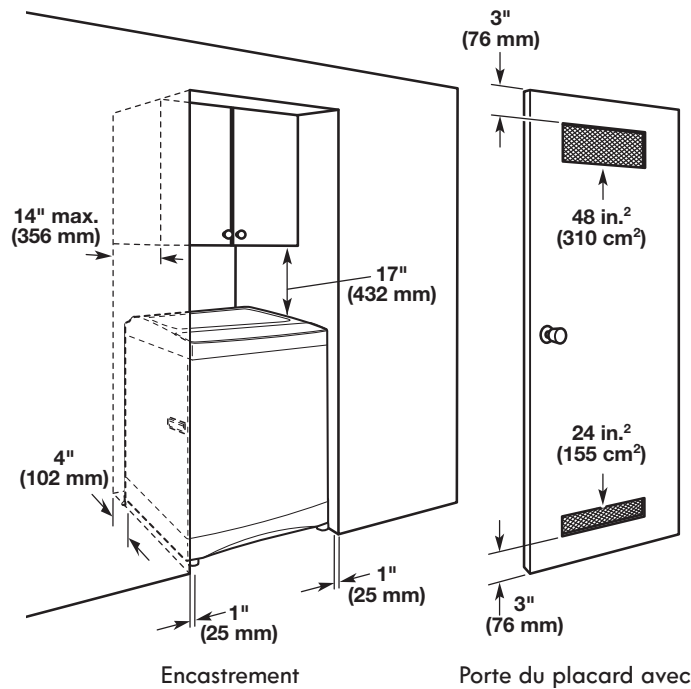
Ne pas remiser ou faire fonctionner la laveuse à des températures inférieures à 32°F (0°C). Une quantité d'eau peut demeurer dans la laveuse et causer des dommages à des températures basses. Voir "Entretien de la laveuse" pour des renseignements sur la préparation de la laveuse pour l'hiver.

Installation dans un encastrement ou placard

Les dimensions sont indiquées pour l'espacement recommandé autorisé, sauf les passages d'air pour une porte de placard. Les dimensions indiquées pour les passages d'air d'une porte de placard sont les espacements minimaux requis.

- Prévoir davantage d'espace pour faciliter l'installation et l'entretien.
- Un espace supplémentaire peut être requis pour les moulures de porte et de plancher et pour les plinthes.
- Un espace supplémentaire de 1" (25 mm) de tous les côtés de la laveuse est recommandé pour réduire le transfert du bruit.
- Si l'on installe une porte de placard, des ouvertures d'aération minimales sont nécessaires en haut et en bas de la porte. Les portes à claire-voie offrant des ouvertures équivalentes (supérieures et inférieures) sont acceptables.
- Il faut aussi prendre en compte l'espace requis entre les appareils voisins.

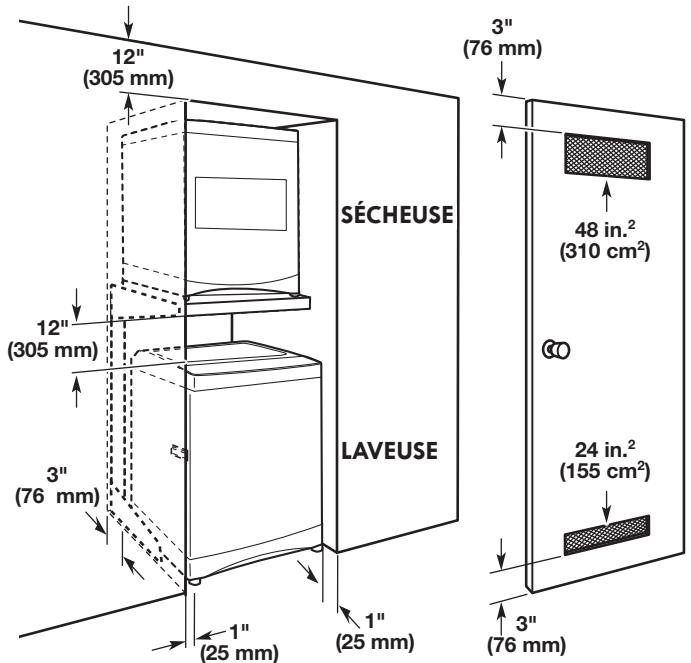
Laveuse uniquement



Encastrement

Porte du placard avec grilles d'aération

Superposé



Encastrement

Porte du placard avec grilles d'aération

Spécifications électriques

AVERTISSEMENT



Risque de choc électrique

Brancher sur une prise à 3 alvéoles reliée à la terre.

Ne pas enlever la broche de liaison à la terre.

Ne pas utiliser un adaptateur.

Ne pas utiliser un câble de rallonge.

Le non-respect de ces instructions peut causer un décès, un incendie ou un choc électrique.

- Une alimentation de 120 V, 60 Hz, CA seulement, de 15 ou 20 ampères, protégée par un fusible est requise. On recommande d'utiliser un fusible ou un disjoncteur temporisé. Il est recommandé de raccorder l'appareil sur un circuit distinct exclusif à cet appareil.
- Cette laveuse comporte un cordon d'alimentation électrique à trois broches pour liaison à la terre.
- Pour minimiser les risques de choc électrique, on doit brancher le cordon sur une prise de courant de configuration correspondante, à 3 alvéoles, reliée à la terre et installée conformément aux codes et règlements locaux. Si une prise de courant de configuration correspondante n'est pas disponible, le client a la responsabilité et l'obligation de faire installer par un électricien qualifié une prise de courant correctement reliée à la terre.
- Si les codes le permettent et si l'on utilise un conducteur distinct de liaison à la terre, il est recommandé qu'un électricien qualifié vérifie la qualité de la liaison à la terre.
- Ne pas utiliser une tuyauterie de gaz pour le raccordement à la terre.
- En cas de doute quant à la qualité de la liaison à la terre de la laveuse, consulter un électricien qualifié.
- Ne pas installer un fusible dans le conducteur neutre ou le circuit de liaison à la terre.

INSTRUCTIONS DE LIAISON À LA TERRE

Pour une laveuse reliée à la terre et connectée par un cordon :

Cette laveuse doit être reliée à la terre. En cas d'anomalie de fonctionnement ou de panne, la liaison à la terre réduira le risque de choc électrique en offrant au courant électrique un itinéraire d'évacuation de moindre résistance. Cette laveuse est alimentée par un cordon électrique comportant un conducteur relié à la terre et une fiche de branchement munie d'une broche de liaison à la terre. La fiche doit être branchée sur une prise de courant appropriée qui est bien installée et reliée à la terre conformément à tous les codes et règlements locaux.

AVERTISSEMENT : Le raccordement incorrect de cet appareil au conducteur de liaison à la terre peut susciter un risque de choc électrique. En cas de doute quant à la qualité de la liaison à la terre de l'appareil, consulter un électricien ou technicien d'entretien qualifié.

Ne pas modifier la fiche de branchement fournie avec l'appareil – si la fiche ne correspond pas à la configuration de la prise de courant, demander à un électricien qualifié d'installer une prise de courant convenable.

Pour une laveuse raccordée en permanence :

Cette laveuse doit être raccordée à un système de câblage permanent en métal relié à la terre ou un conducteur relié à la terre doit être en fonction avec les conducteurs de circuit et raccordés à la borne de liaison à la terre ou la borne sur l'appareil ménager.

Élimination du matériel d'expédition

Avant d'installer votre laveuse, éliminer tout le matériel d'expédition.

AVERTISSEMENT

Risque du poids excessif

Utiliser deux ou plus de personnes pour déplacer et installer la laveuse.

Le non-respect de cette instruction peut causer une blessure au dos ou d'autre blessure.

Pour éviter d'endommager le plancher, utiliser un grand morceau de carton plat à partir de l'emballage de la laveuse. Placer le carton sous l'arrière de la laveuse.

Saisir fermement la caisse de la laveuse et la poser délicatement sur les cornières.

Retirer l'emballage en mousse de plastique de sous la laveuse.

Redresser la laveuse.

Retirer le ruban du couvercle de la laveuse. Ouvrir le couvercle de la laveuse et retirer la mousse, le sachet de pièces et les tuyaux du panier de la laveuse. Rabattre le couvercle.

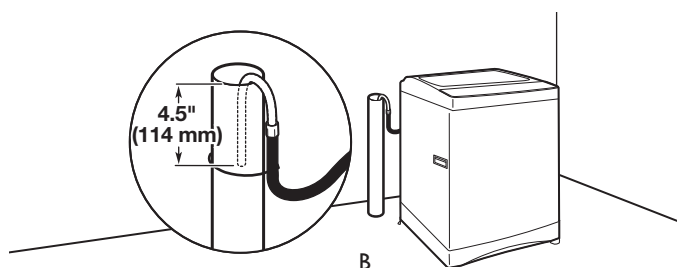
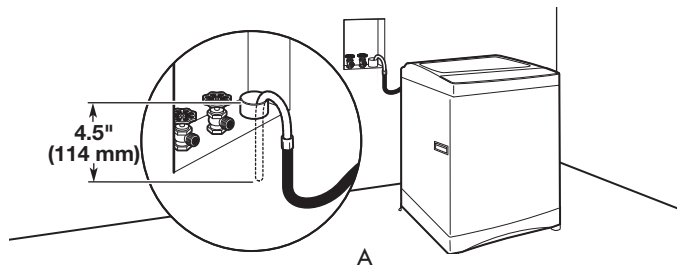
Système de vidange

La laveuse peut être installée en utilisant le système de rejet à l'égout (au sol ou mural), le système de vidange de l'évier de buanderie ou l'avaloir de sol. Sélectionner la méthode d'installation du tuyau de vidange selon les besoins. Voir "Outils et pièces".

Système de vidange avec tuyau de rejet à l'égout – mural ou au plancher (vues A et B)

Le système de rejet à l'égout nécessite un tuyau de diamètre minimum de 2" (5 cm). La capacité minimale d'acheminement (pour les installations définitives) ne doit pas être inférieure à 17 gal. (64,5 L) par minute.

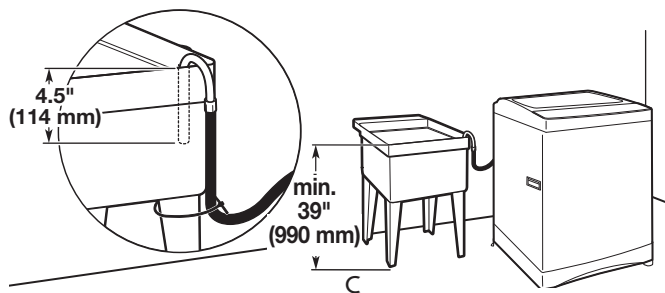
Le sommet du tuyau de rejet à l'égout doit être au moins à 39" (990 mm) de hauteur et au maximum à 72" (183 cm) de la base de la laveuse.



Système de vidange avec évier de buanderie (vue C)

L'évier de buanderie doit avoir une capacité minimale d'acheminement de 17 gal (64,5 L) par minute (pour les installations définitives).

Le sommet de l'évier doit être au moins à 39" (990 mm) au-dessus du sol et au maximum à 72" (183 cm) de la base de la laveuse.



INSTRUCTIONS D'INSTALLATION PERMANENTE

⚠ AVERTISSEMENT

Risque du poids excessif

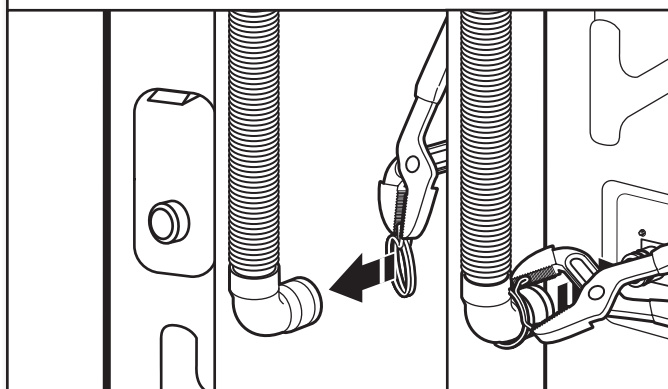
Utiliser deux ou plus de personnes pour déplacer et installer la laveuse.

Le non-respect de cette instruction peut causer une blessure au dos ou d'autre blessure.

- Pour éviter d'endommager le plancher, installer la laveuse sur un carton avant de la déplacer sur le sol.
- Approcher la laveuse jusqu'à environ 3 pi (900 mm) de l'emplacement d'installation final.

Raccordement du tuyau de vidange

1. Fixation du tuyau de vidange à l'orifice de vidange



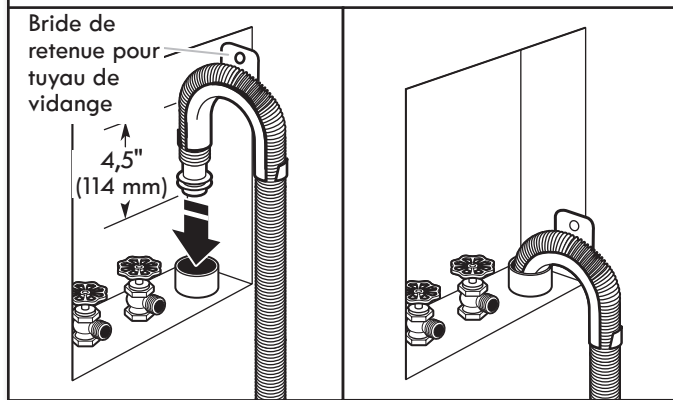
Si la bride n'est pas déjà installée sur l'extrémité coudée du tuyau de vidange, la faire glisser sur l'extrémité tel qu'indiqué. Serrer la bride avec une pince et faire glisser à nouveau l'extrémité coudée noire du tuyau de vidange sur l'orifice de vidange noir, puis fixer avec la bride.

Pour un évier de buanderie ou un tuyau de rejet à l'égout rigide, passer à l'étape 2.

Pour une vidange au plancher, retirer la bride de retenue pour tuyau de vidange préinstallée tel qu'indiqué à l'étape 3.

Installation du tuyau d'évacuation

2. Placer le tuyau de vidange dans le tuyau de rejet à l'égout



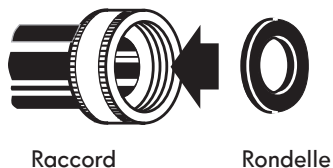
Placer le tuyau dans le tuyau de rejet à l'égout (voir image) ou par-dessus le côté de l'évier de buanderie.

IMPORTANT : 4,5" (114 mm) de tuyau de vidange doit se trouver à l'intérieur du tuyau de rejet à l'égout; ne pas forcer l'excédent de tuyau dans le tuyau de rejet à l'égout ni le placer dans l'évier de buanderie. On doit utiliser la bride de retenue pour tuyau de vidange.

Raccordement des tuyaux d'alimentation

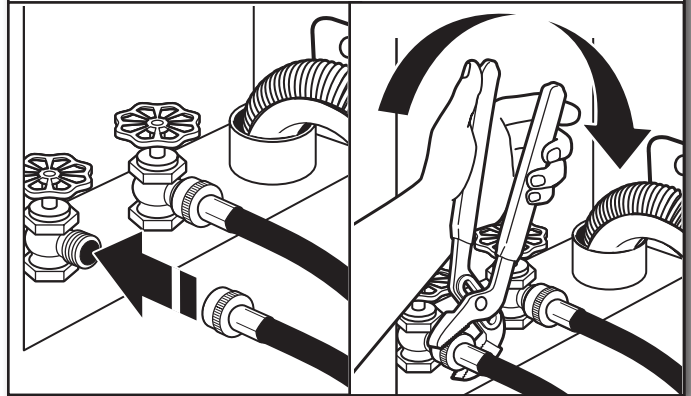
La laveuse doit être connectée aux robinets d'eau à l'aide des nouveaux tuyaux d'arrivée d'eau (non fournis). Ne pas utiliser de tuyaux usagés.

3. Insérer les rondelles plates neuves dans les tuyaux d'arrivée d'eau



Insérer les rondelles plates neuves (non fournies) dans chaque extrémité des tuyaux d'arrivée d'eau. Insérer fermement les rondelles dans les raccords.

4. Connecter les tuyaux d'arrivée d'eau aux robinets

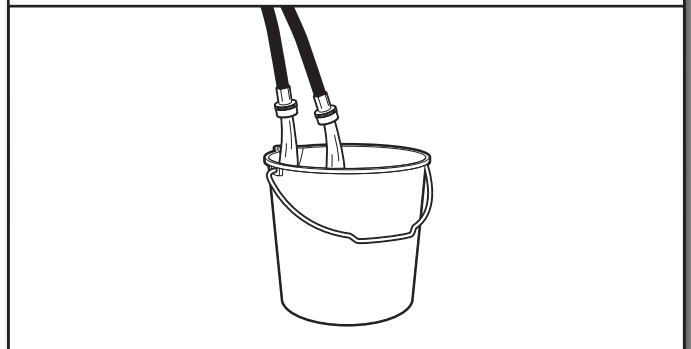


Vérifier que le panier de la laveuse est vide.

Fixer le tuyau au robinet d'eau chaude. Visser le raccord à la main pour qu'il repose sur la rondelle. Serrer les raccords de deux tiers de tour supplémentaires à l'aide d'une pince. Répéter cette étape avec le deuxième tuyau pour le robinet d'eau froide.

IMPORTANT : Ne pas serrer excessivement ni utiliser de ruban adhésif ou de dispositifs d'étanchéité lors de la fixation des robinets ou de la machine. Cela pourrait entraîner des dommages.

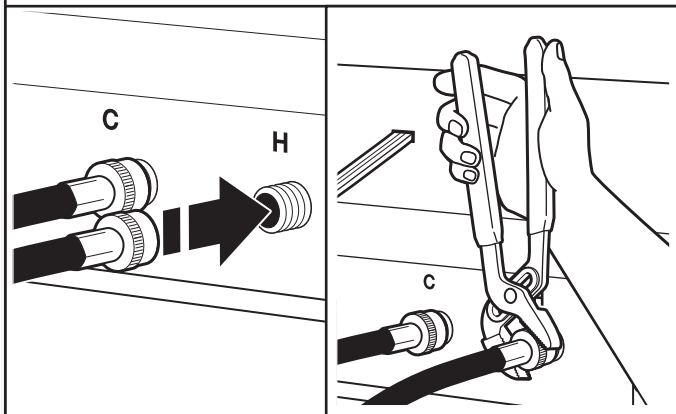
5. Purger les canalisations d'eau



Faire couler de l'eau dans les tuyaux de l'évier de buanderie, le tuyau rigide de rejet à l'égout ou le seau pendant quelques secondes pour éviter toute obstruction. On doit laisser couler l'eau jusqu'à ce qu'elle soit limpide.

Repérer quel tuyau est raccordé à l'eau chaude pour permettre une fixation correcte des tuyaux à la machine.

6. Connecter les tuyaux d'arrivée d'eau à la laveuse

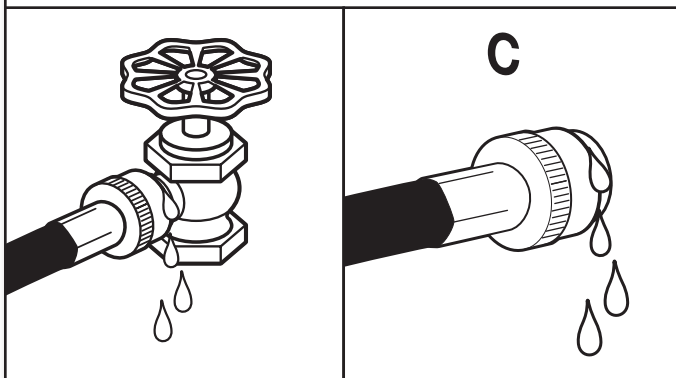


Retirer le capuchon de protection et fixer le tuyau d'eau chaude à la valve d'arrivée d'eau chaude (à droite). Visser le raccord à la main jusqu'à ce qu'il soit bien serré. Serrer les raccords de deux tiers de tour supplémentaires à l'aide d'une pince. Répéter pour la valve d'arrivée d'eau froide (à gauche).

IMPORTANT : Pour réduire le risque de défaillance des tuyaux, remplacer les tuyaux tous les 5 ans. Inscrive la date d'installation ou de remplacement des tuyaux pour référence ultérieure.

- Inspecter périodiquement les tuyaux et les remplacer en cas de renflement, de déformation, de coupure, d'usure ou de fuite.

7. Recherche de fuites

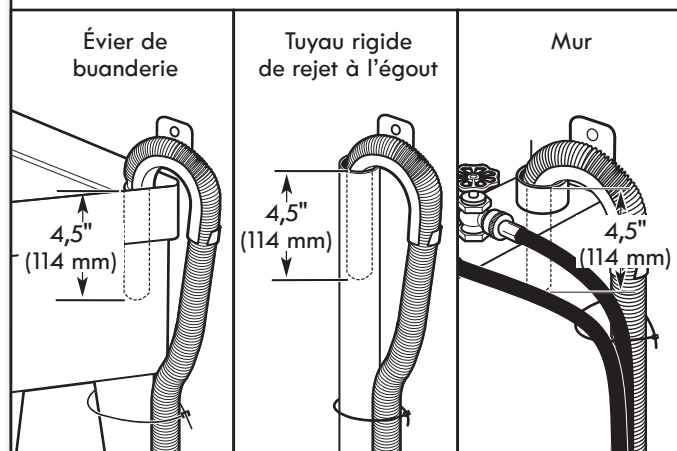


Ouvrir les robinets d'eau pour vérifier qu'il n'y a pas de fuites. Une petite quantité d'eau peut entrer dans la laveuse. Elle s'évacuera plus tard.

- En cas de raccordement d'un seul tuyau d'eau, il est nécessaire de boucher (pièce fournie) l'orifice d'entrée d'eau restant.

Immobiliser le tuyau de vidange

8. Fixer le tuyau d'évacuation solidement à la cuve de lessivage, au tuyau de rejet à l'égout ou au mur



Fixer le tuyau d'évacuation à l'aide du serre-câble (fourni) au pied de l'évier de buanderie, au tuyau rigide de rejet à l'égout ou aux tuyaux d'arrivée d'eau pour le tuyau de rejet à l'égout mural rigide.

- Ne pas forcer l'excédent de tuyau de vidange dans l'arrière de la laveuse.
- Pour éviter un effet de siphon, ne pas sceller ou placer plus de 4 1/2" (114 mm) du tuyau d'évacuation dans le tuyau de rejet à l'égout.

Installation des pieds de nivellement – Optionel (pour une installation permanente seulement)

IMPORTANT : L'installation des pieds de nivellement est permanente. Les pieds de nivellement ne peuvent pas être enlevés une fois fixés à la base de la laveuse et les roulettes de la laveuse ne pourront plus rouler.

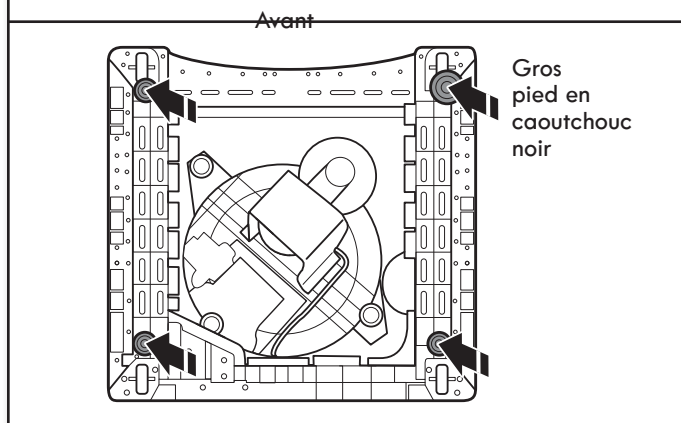
⚠ AVERTISSEMENT

Risque du poids excessif

Utiliser deux ou plus de personnes pour déplacer et installer la laveuse.

Le non-respect de cette instruction peut causer une blessure au dos ou d'autre blessure.

9. Installation des pieds de nivellement



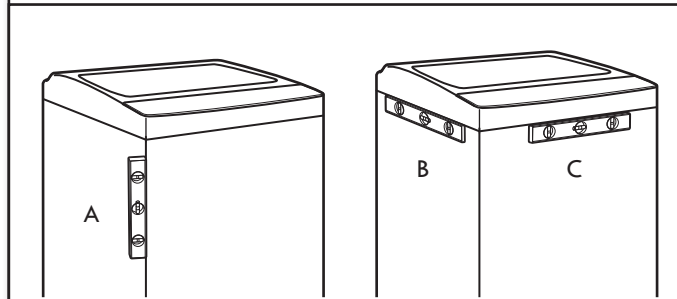
Coucher la laveuse sur le dos. Pousser pour faire passer le gros pied en caoutchouc dans le coin avant droit de la base de la laveuse. Faire de même dans les 3 autres coins avec les pieds de nivellement restants.

Réglage de l'aplomb de la laveuse

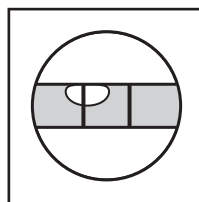
IMPORTANT : Mettre la laveuse à niveau pour réduire le niveau sonore et les vibrations excessifs.

Pour les installations définitives :

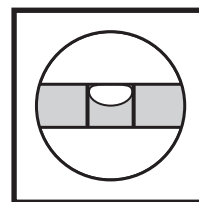
10. Vérifier le bon aplomb de la laveuse



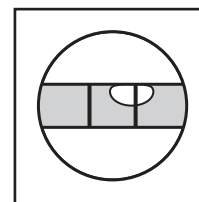
Déplacer la laveuse à son emplacement final. Placer un niveau en affleurement avec les bords supérieurs de la laveuse (B). Utiliser une rive latérale comme guide pour déterminer l'aplomb des côtés (A). Vérifier l'aplomb de l'avant à l'aide du couvercle, tel qu'indiqué (C). Faire bouger la machine d'avant en arrière pour s'assurer que les quatre pieds sont bien en contact avec le plancher.



Pas d'aplomb

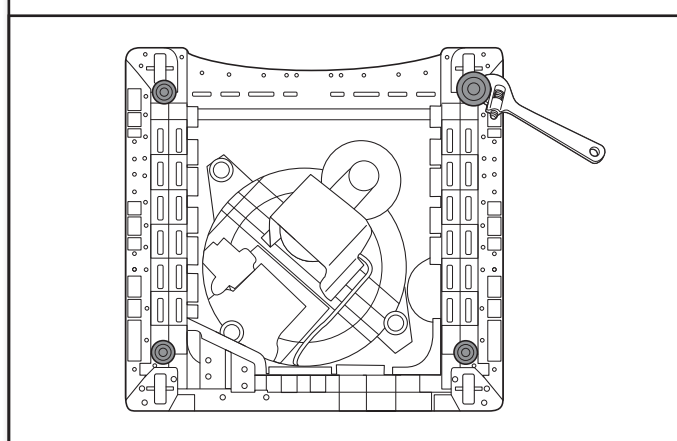


D'APLOMB



Pas d'aplomb

11. Ajuster le pied de nivellement



Si la laveuse n'est pas de niveau, la coucher sur le dos pour modifier la hauteur du gros pied de nivellement en caoutchouc. Si la laveuse est placée contre un mur, l'écarter légèrement du mur avant de la coucher sur le dos.

Utiliser une clé anglaise pour modifier la hauteur du gros pied de nivellement en caoutchouc.

REMARQUE : Les 3 plus petits pieds de nivellement ont une hauteur fixe.

Pour les installations portatives :

Contrôler l'aplomb du plancher. Si le plancher n'est pas de niveau, déplacer la laveuse sur sa surface jusqu'à ce qu'elle soit d'aplomb.

⚠ AVERTISSEMENT



Risque de choc électrique

Brancher sur une prise à 3 alvéoles reliée à la terre.

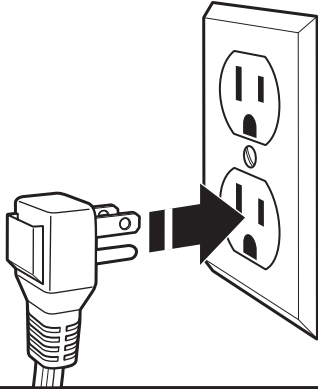
Ne pas enlever la broche de liaison à la terre.

Ne pas utiliser un adaptateur.

Ne pas utiliser un câble de rallonge.

Le non-respect de ces instructions peut causer un décès, un incendie ou un choc électrique.

12. Brancher l'appareil sur une prise à 3 alvéoles reliée à la terre



Liste de vérification après installation

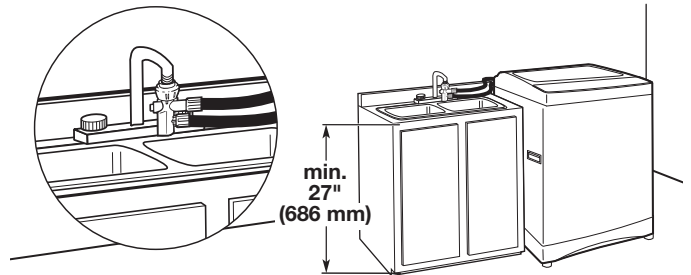
- Consulter les spécifications électriques. S'assurer de disposer d'une source d'électricité appropriée, et d'une liaison à la terre conforme à la méthode recommandée.
- Vérifier que toutes les pièces sont maintenant installées. S'il reste une pièce, passer en revue les différentes étapes pour découvrir laquelle aurait été oubliée.
- Vérifier la présence de tous les outils.
- Vérifier que tout le matériel d'expédition a été retiré de la laveuse.
- Vérifier que les robinets d'eau sont ouverts.
- Vérifier qu'il n'y a pas de fuite autour des robinets et des tuyaux d'arrivée d'eau.
- Ôter la pellicule protectrice de la console et tout ruban adhésif resté sur la laveuse.
- Vérifier que la laveuse est branchée sur une prise de courant à 3 alvéoles reliée à la terre.

- Éliminer/recycler tous les matériaux d'emballage.
- Lire la section "Entretien de la laveuse".
- Pour tester et nettoyer la laveuse, mesurer la moitié de la quantité normale recommandée de détergent en poudre ou liquide et la verser dans le panier de la laveuse ou le distributeur de détergent (sur certains modèles). Fermer le couvercle. Sélectionner n'importe quel programme. Mettre la laveuse en marche et la laisser exécuter un programme complet.

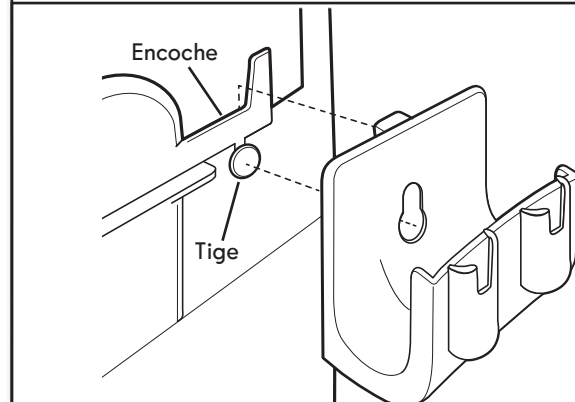
INSTRUCTIONS POUR L'INSTALLATION PORTATIVE

Système de vidange

La laveuse doit se vider dans un évier ou une cuve de lessivage avec une capacité d'évacuation de 17 gal (64,5 L) par minute (pour les installations portatives). Le dessus de la cuve doit être au moins à 27" (686 mm) au-dessus du sol et pas à plus de 48" (121,9 cm) du bas de la laveuse.



1. Installation de la tringle de tuyau

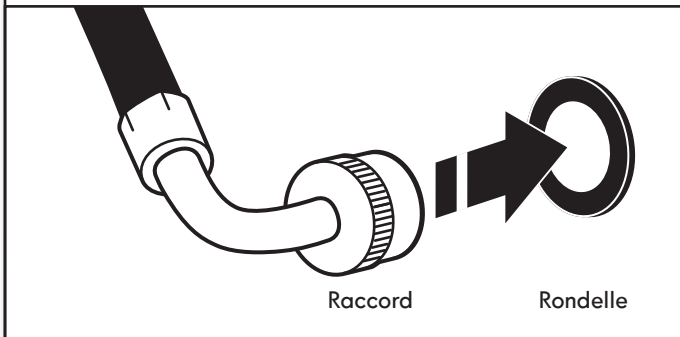


Placer la tringle de tuyau sur la tige à l'arrière de la laveuse et positionner l'onglet pour qu'il s'insère dans la fente. Enfoncer pour le verrouiller.

Connexion du tuyau de remplissage et vidange

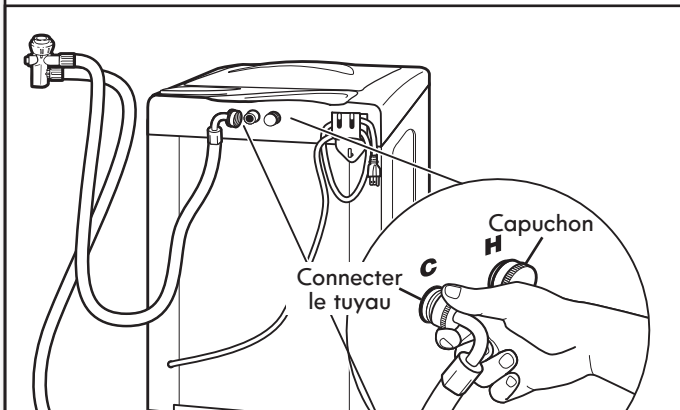
Une bonne connexion du tuyau de remplissage et de vidange évitera les dommages causés par des fuites d'eau.

2. Insérer la rondelle plate neuve dans le tuyau d'arrivée d'eau



Installer un joint plat neuf (fourni) dans chaque extrémité des tuyaux d'arrivée d'eau. Insérer fermement la rondelle dans le raccorder.

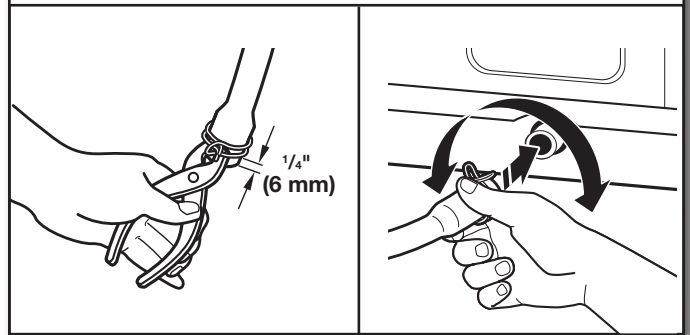
3. Connexion du tuyau de remplissage



Fixer le tuyau de remplissage à la valve d'arrivée d'eau froide (à gauche). Serrer le raccorder à la main. Utiliser une pince et tourner de deux tiers de tour en plus.

REMARQUE : Ne pas serrer excessivement. Les valves risquent d'être endommagées. La valve d'arrivée d'eau chaude (droite) est fermée. Laisser cette valve fermée.

4. Raccordement du tuyau de vidange



Pour éviter les fuites du tuyau de remplissage et de vidange, l'installation doit être effectuée selon les instructions.

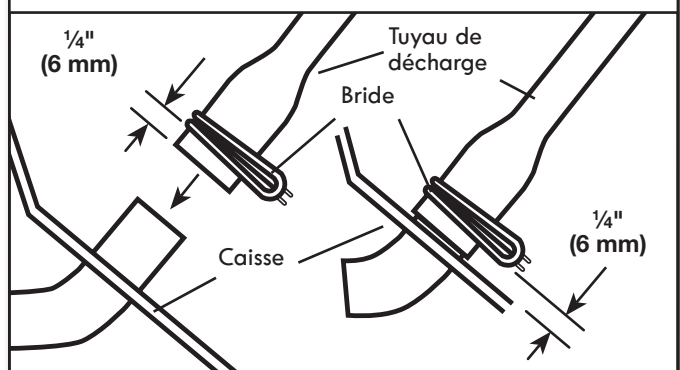
IMPORTANT : Pour réaliser une installation adéquate, on doit suivre scrupuleusement la procédure décrite ci-dessous.

Retirer le tuyau d'évacuation d'installation définitive. Mouiller l'extrémité interne du tuyau de vidange à l'eau du robinet.

IMPORTANT : N'utiliser aucun autre lubrifiant que l'eau.

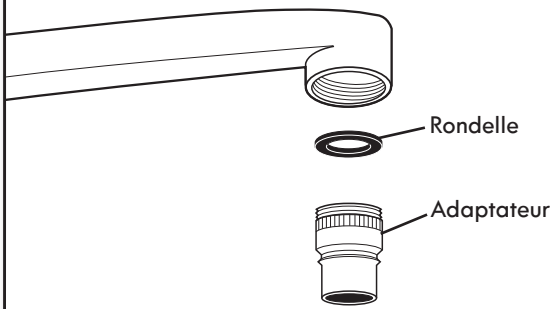
Presser les pattes de la bride de fixation à deux fils à l'aide d'une pince pour l'ouvrir. Placer la bride sur l'extrémité droite du tuyau de vidange à 1/4" (6 mm) du bout. Faire tourner le tuyau tout en poussant sur le connecteur au bas de la laveuse. Continuer jusqu'à ce que le tuyau soit au contact de la caisse.

5. Immobiliser le tuyau de vidange



Placer la bride sur la zone portant l'indication "CLAMP". Dégager la bride de fixation.

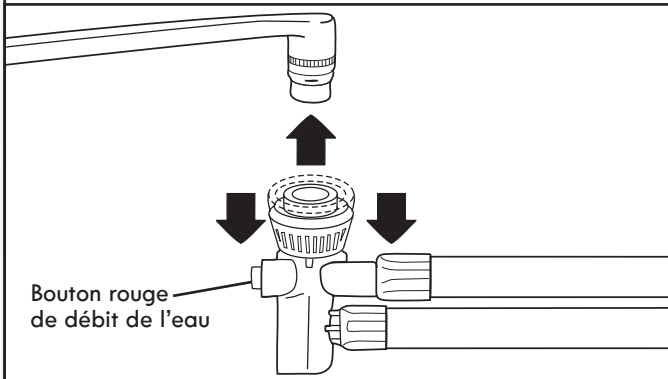
6. Fixer l'ensemble de l'adaptateur au robinet



Une bonne connexion de la trousse d'adaptateur de robinet permettra à l'eau chaude et froide de bien entrer dans la laveuse. Ceci aide également à éviter les dommages causés par des fuites d'eau.

Fixer la trousse d'adaptateur de robinet du sachet de pièces au robinet. Un adaptateur de robinet standard et une rondelle sont fournis. Des adaptateurs personnalisés sont disponibles dans les lieux d'approvisionnement en matériel de plomberie traditionnels.

7. Fixer le connecteur du tuyau de remplissage et de vidange au robinet



Faire rouler la laveuse près de l'évier. Elle roule et fonctionne sur roulettes. Les roulettes ne roulent pas d'un côté à l'autre. S'assurer que la laveuse est sur un sol d'aplomb pour éviter les mouvements lors de l'essorage.

Fixer le connecteur du tuyau de remplissage et de vidange à un robinet d'eau chaude/froide à un seul jet. Baisser l'anneau de verrouillage tout en soulevant le connecteur jusqu'à ce qu'il s'enclenche.

8. Régler la WASH TEMP (température de lavage) à Cold (froid)



Wash Temp

CONTROL LOCK
HOLD 3 SEC

Régler la température de la laveuse à Cold (froid). Régler la température de l'eau pour le programme de lavage en ajustant les robinets d'eau chaude et d'eau froide. Les réglages Hot (chaud) et Warm (tiède) sont inactifs en cas d'installation portable.

Pour tester la température de l'eau, appuyer sur le bouton rouge de débit de l'eau sur le connecteur de tuyau. L'eau sort dès que le bouton est enfoncé, ce qui permet d'échantillonner la température.

REMARQUE : Si désiré, il est possible de changer la température de l'eau pour le programme de rinçage en ajustant les robinets d'eau chaude et d'eau froide. Laisser le réglage de la température de la laveuse sur Cold (froid).

⚠ AVERTISSEMENT



Risque de choc électrique

Brancher sur une prise à 3 alvéoles reliée à la terre.

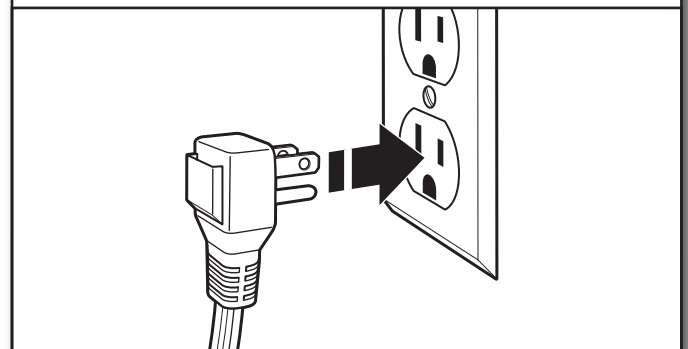
Ne pas enlever la broche de liaison à la terre.

Ne pas utiliser un adaptateur.

Ne pas utiliser un câble de rallonge.

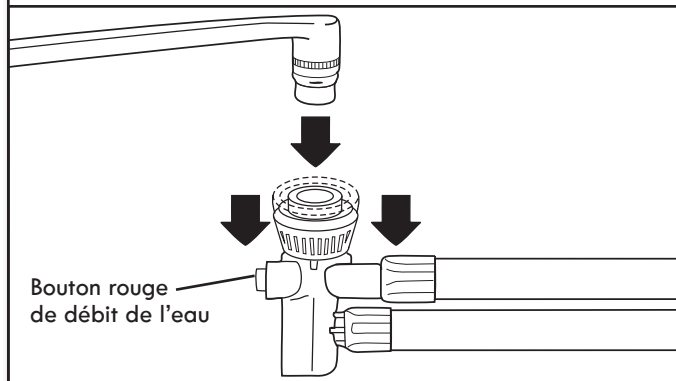
Le non-respect de ces instructions peut causer un décès, un incendie ou un choc électrique.

9. Brancher l'appareil sur une prise à 3 alvéoles reliée à la terre



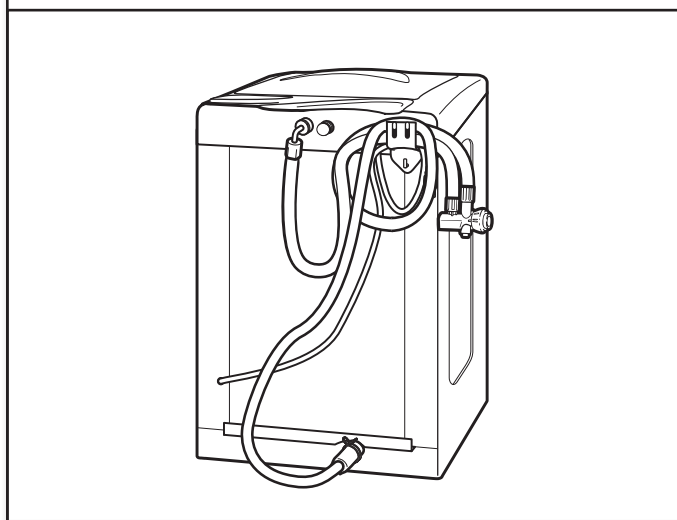
Déconnexion de la laveuse

1. Retirer le connecteur du tuyau de remplissage et de vidange du robinet



Fermer les robinets d'eau et débrancher le cordon d'alimentation. Appuyer sur le bouton rouge de débit de l'eau pour libérer la pression de l'eau dans le tuyau. Tirer l'anneau de verrouillage vers le bas pour retirer le connecteur du robinet.

2. Replacer le tuyau de remplissage et de vidange sur le support de rangement



Vider l'eau du connecteur du tuyau de remplissage et de vidange. Placer le tuyau de remplissage et de vidange sur le support en plastique à l'arrière de la laveuse.

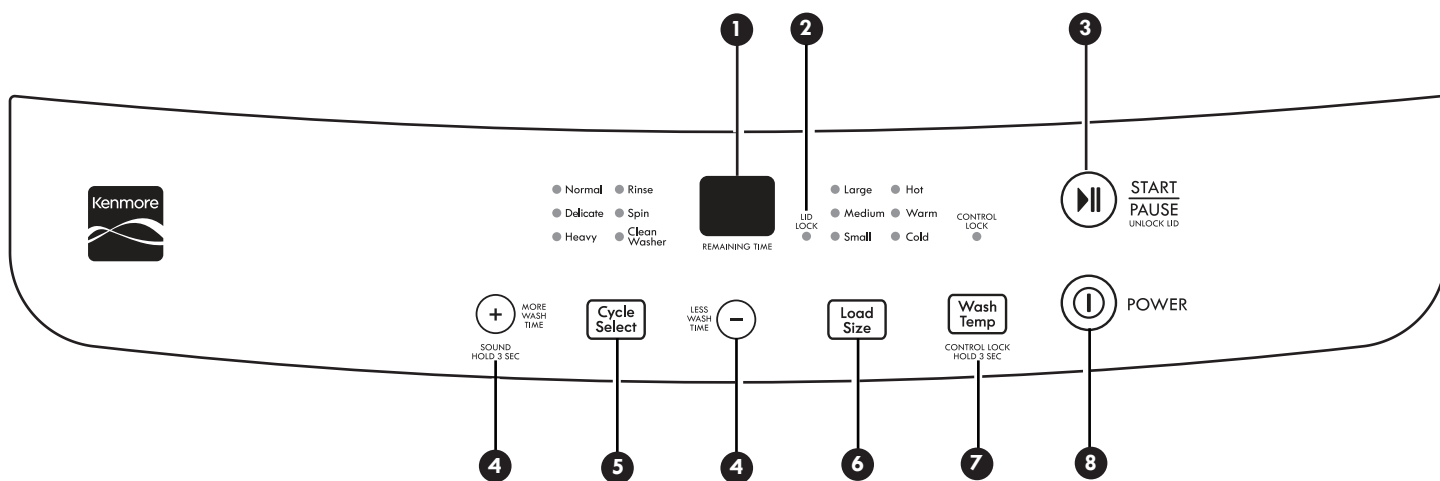
Liste de vérification après installation

- Consulter les spécifications électriques. S'assurer de disposer d'une source d'électricité appropriée avec liaison à la terre conforme.
- Vérifier que toutes les pièces sont maintenant installées. S'il reste une pièce, passer en revue les différentes étapes pour découvrir laquelle aurait été oubliée.
- Vérifier la présence de tous les outils.
- Vérifier que tout le matériel d'expédition a été retiré de la laveuse.
- Vérifier que les robinets d'eau sont ouverts.
- Vérifier qu'il n'y a pas de fuite autour des robinets et des tuyaux d'arrivée d'eau.

REMARQUE : Si la laveuse est reliée à un robinet équipé d'un tuyau d'arrosage, la pression constante de l'eau peut entraîner des fuites du tuyau d'arrosage. Pour éviter une panne éventuelle, le tuyau d'arrosage doit être déconnecté ou remplacé par un tuyau flexible à haute pression.

- Ôter la pellicule protectrice de la console et tout ruban adhésif resté sur la laveuse.
- Vérifier que la laveuse est branchée sur une prise de courant à 3 alvéoles reliée à la terre.
- Éliminer/recycler tous les matériaux d'emballage.
- Lire la section "Entretien de la laveuse".
- Pour tester et nettoyer la laveuse, mesurer la moitié de la quantité normale recommandée de détergent en poudre ou liquide et la verser dans le panier de la laveuse ou le distributeur de détergent (sur certains modèles). Fermer le couvercle. Sélectionner n'importe quel programme. Mettre la laveuse en marche et la laisser exécuter un programme complet.

TABLEAU DE COMMANDE ET CARACTÉRISTIQUES



1 AFFICHAGE DEL DE DURÉE/ÉTAT

L'affichage de durée résiduelle estimée indique le temps nécessaire à l'achèvement du programme. Des facteurs tels que la taille de la charge et la pression de l'eau peuvent affecter la durée affichée. La laveuse peut également ajuster la durée du programme si le linge est tassé dans la charge, la charge est déséquilibrée ou si la mousse produite est excessive.

2 TÉMOIN LUMINEUX DU VERROU DU COUVERCLE

Le témoin lumineux Lid Lock (couvercle verrouillé) s'allume lorsque le couvercle est verrouillé et ne peut être ouvert. Si l'on doit ouvrir le couvercle, appuyer sans relâcher sur START/PAUSE (mise en marche/pause). Le couvercle se déverrouille une fois que le mouvement de la laveuse a cessé. Il se peut que cela prenne plusieurs minutes si la laveuse essore la charge à grande vitesse. Appuyer sur START/PAUSE (mise en marche/pause) pour redémarrer le programme.

3 START/PAUSE (mise en marche/pause)

Après avoir sélectionné le programme de lavage, appuyer sur START/PAUSE (mise en marche/pause) pour démarrer le programme. Appuyer une fois pour mettre le programme en pause. Le témoin lumineux clignotant indique le programme sélectionné et le traitement actuel.

4 DURÉE DU PROGRAMME (+ ou -)

- Appuyer sur "+" ou "-" pour modifier la durée du programme de lavage.
- Appuyer sur "+" ou "-" pour modifier la durée du programme d'essorage.
- L'affichage DEL indique la durée résiduelle du programme. Si un autre réglage est effectué, un son est émis.

Signal de fin de programme

Appuyer sur le bouton (+) pendant 3 secondes pour activer ou désactiver la fin du signal de programme.

5 CYCLE SELECT (sélectionner programme)

Appuyer sur le bouton CYCLE SELECT (sélectionner programme) pour sélectionner un programme de lavage. Choisir l'un des programmes suivants : Normal, Delicate (articles délicats), Heavy (service intense), Rinse (rinçage), Spin (essorage) ou Clean Washer (nettoyer la laveuse).

REMARQUE : La laveuse garde en mémoire le dernier programme utilisé, avec taille de charge moyenne par défaut.

6 LOAD SIZE (volume de la charge)

Appuyer pour sélectionner le niveau d'eau basé sur la quantité d'articles à laver.

Lorsque le niveau d'eau Medium (moyen) ou Heavy (service intense) est sélectionné, la laveuse détecte la taille de la charge et effectue une modification si nécessaire.

7 WASH TEMP (température de lavage)

Sélectionner une température de lavage en fonction du type de tissu et de saleté à laver. Pour des résultats optimaux, suivre les instructions sur l'étiquette du vêtement et utiliser la température d'eau de lavage la plus chaude possible sans danger pour le tissu.

Pour les installations portatives : Si désiré, il est possible de changer la température de l'eau pour le programme de rinçage en ajustant les robinets d'eau chaude et d'eau froide. Laisser le réglage de la température de la laveuse sur Cold (froid).

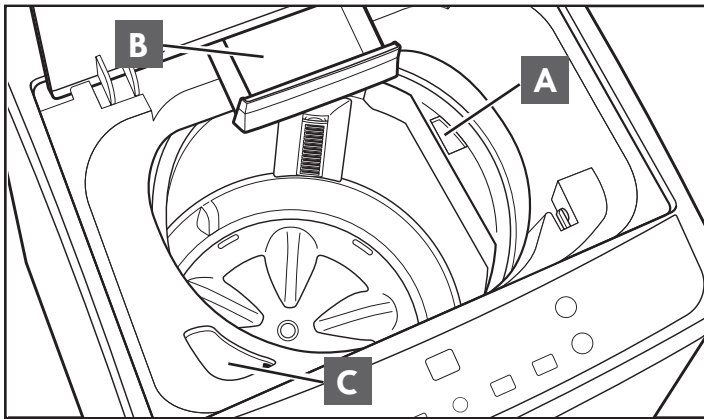
CONTROL LOCK (verrouillage des commandes)

Appuyer sur WASH TEMP (température de lavage) pendant 4 secondes pour verrouiller les commandes. Appuyer pendant 4 secondes pour déverrouiller. L'on peut tout de même appuyer sur POWER (Alimentation) pour éteindre la laveuse.

8 POWER (alimentation)

Appuyer sur POWER (Alimentation) pour allumer ou éteindre la laveuse. Appuyer une fois tandis qu'un programme est en cours pour arrêter la laveuse.

Distributeurs



A Distributeur d'assouplissant de tissu liquide

Si désiré, verser la mesure d'assouplissant pour tissu liquide dans le distributeur d'assouplissant pour tissu liquide. Celui-ci distribuera automatiquement le produit au moment opportun.

- Utiliser uniquement de l'assouplissant de tissu liquide dans ce distributeur.

REMARQUE : Le distributeur d'assouplissant pour tissu tourne autour du panier de lavage et peut ne pas toujours être au même endroit.

B Distributeur de détergent haute efficacité (HE) en poudre

Verser le détergent HE en poudre dans ce distributeur pour le programme de lavage principal.



Utiliser uniquement un détergent haute efficacité (HE).

REMARQUES :

- Suivre les instructions du fabricant pour déterminer la quantité de détergent à utiliser.
- Ajouter le détergent HE liquide ou un sachet à dose unique dans le panier avant d'ajouter le linge.

C Distributeur d'eau de Javel

Ce distributeur peut contenir jusqu'à $\frac{3}{4}$ de tasse (180 mL) d'agent de blanchiment liquide. L'agent de blanchiment sera automatiquement dilué et distribué au moment opportun au cours du programme de lavage. Ce distributeur ne peut pas diluer de l'agent de blanchiment en poudre.

REMARQUE : Remplir le distributeur uniquement avec de l'eau de Javel.

Choix du détergent approprié

Utiliser uniquement des détergents haute efficacité. L'emballage portera la mention "HE" ou "High Efficiency" (haute efficacité). Un lavage avec faible consommation d'eau produit un excès de mousse avec un détergent non HE ordinaire. Il est probable que l'utilisation d'un détergent ordinaire prolongera la durée des programmes et réduira la performance de rinçage. Ceci peut aussi entraîner des défaillances de composants et, avec le temps, une accumulation de moisissure. Les détergents HE devraient produire peu de mousse et se dissoudre rapidement pour produire une quantité de mousse idéale pour une performance optimale. Ils devraient retenir les particules de saleté en suspension afin qu'elles ne se redéposent pas sur les vêtements propres. Les détergents identifiés HE ne comportent pas tous une formule identique et ne produisent pas tous la même quantité de mousse. Par exemple, les détergents HE naturels, organiques et faits maison peuvent produire une plus grande quantité de mousse. Toujours suivre les recommandations du fabricant de détergent pour déterminer la quantité de détergent à utiliser.

Guide de programme

- Normal
- Rinse
- Delicate
- Spin
- Heavy
- Clean Washer

Cycle Select

Cette section décrit les programmes de lavage disponibles et vous aidera à faire la meilleure sélection de programme pour vos charges de lavage. Chaque programme est conçu pour différents types de tissus et niveaux de saleté. Toujours lire et suivre les instructions des étiquettes de soin des tissus pour éviter d'endommager les articles.

Normal (normal)

Utiliser ce programme pour les articles en coton et en lin normalement sales. Le lavage combine une vitesse d'agitation moyenne et une vitesse d'essorage rapide pour réduire la durée de séchage.

Delicate (articles délicats)

Utiliser ce programme pour la lingerie et les articles légers. Le lavage combine une vitesse d'agitation lente pour une élimination des taches en douceur et une vitesse d'essorage rapide pour réduire la durée de séchage.

Heavy (saleté importante)

Utiliser ce programme pour des charges de vêtements épais ou très sales. Le lavage combine une agitation à vitesse élevée et un essorage à vitesse élevée pour une élimination maximale des taches.

Rinse (rinçage)

Utiliser ce programme pour un rinçage supplémentaire de la brassée ou des articles lavés à la main.

Spin (Essorage)

Utiliser ce programme pour éliminer l'eau de la brassée ou des articles lavés à la main.

Clean Washer (nettoyage de la laveuse)

Utiliser ce programme à l'issue de chaque série de 30 lavages pour que l'intérieur de la laveuse reste frais et propre. Ce programme utilise un niveau d'eau plus élevé. Utiliser une tablette de nettoyant pour laveuse ou de l'eau de Javel pour nettoyer soigneusement l'intérieur de la laveuse. Ce programme ne doit pas être interrompu.

IMPORTANT : Ne pas placer de vêtements ou autres articles dans la laveuse pendant le programme Clean Washer. Utiliser ce programme avec une cuve de lavage vide.

Signal de fin de programme

Le signal de fin de programme peut être activé et désactivé en appuyant sur Cycle "+" (programme "+") pendant 3 secondes.



Cycle Select



SOUND HOLD 3 SEC

UTILISATION DE LA LAVEUSE

⚠ AVERTISSEMENT



Risque d'incendie

Ne jamais mettre des articles humectés d'essence ou d'autres fluides inflammables dans la laveuse.

Aucune laveuse ne peut complètement enlever l'huile.

Ne pas faire sécher des articles qui ont été salis par tout genre d'huile (y compris les huiles de cuisson).

Le non-respect de ces instructions peut causer un décès, une explosion ou un incendie.

⚠ AVERTISSEMENT



Risque de choc électrique

Brancher sur une prise à 3 alvéoles reliée à la terre.

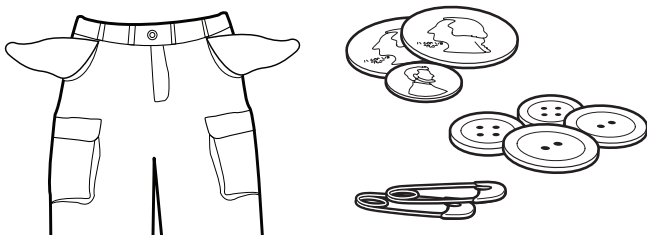
Ne pas enlever la broche de liaison à la terre.

Ne pas utiliser un adaptateur.

Ne pas utiliser un câble de rallonge.

Le non-respect de ces instructions peut causer un décès, un incendie ou un choc électrique.

1. Trier et préparer le linge



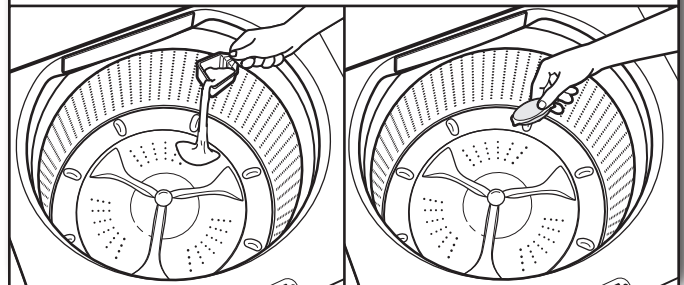
- Vider les poches. Des pièces de monnaie, des boutons ou objets de petite taille sont susceptibles de glisser sous le plateau de lavage et de s'y coincer, ce qui peut entraîner des bruits inattendus.
- Trier les articles en fonction du programme et de la température d'eau recommandés, ainsi que la solidité des teintures.
- Séparer les articles très sales des articles peu sales.
- Séparer les articles délicats des tissus résistants.
- Ne pas sécher les vêtements si les taches sont toujours présentes après le lavage, la chaleur pourrait fixer les taches sur le tissu.
- Traiter les taches sans délai.
- Fermer les fermetures à glissière, attacher les crochets, cordons et ceintures en tissu. Ôter les garnitures et les ornements non lavables.
- Réparer les déchirures pour éviter que les articles ne s'endommagent encore davantage lors du nettoyage.

Conseils utiles :

- Pour une meilleure performance, utiliser un détergent haute efficacité (HE) pour le lavage des articles volumineux.
- Utiliser des sacs en filet pour aider à empêcher l'emmêlement lors du lavage d'articles délicats ou de petits articles.
- Retourner les tricotés pour éviter le boulochage. Séparer les articles qui retiennent la charpie des articles qui la produisent. Les articles synthétiques, tricotés et articles en velours retiennent la charpie provenant des serviettes, des tapis et des tissus chenille.

REMARQUE : Toujours lire et suivre les instructions des étiquettes de soin des tissus pour éviter d'endommager les articles.

2. Ajouter les produits de lessive

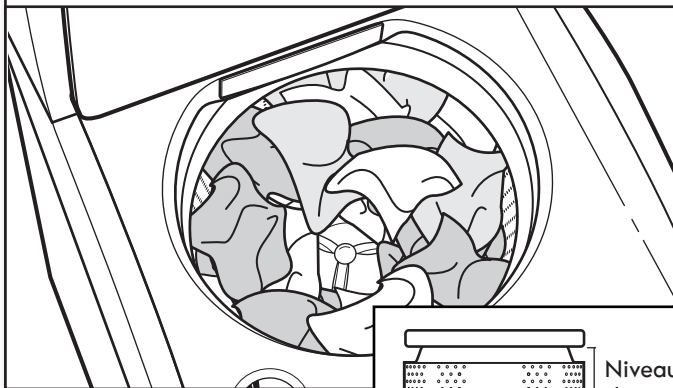


IMPORTANT : Si un support pour sècheuse compacte (no de pièce 49971) est utilisé, tirer la laveuse vers l'avant avant d'en soulever le couvercle. Ne pas installer en permanence la laveuse dans le support pour sècheuse compacte, cela empêcherait de soulever le couvercle de la laveuse.

Si du détergent de lessive liquide, des sachets de lessive à dose unique, de l'agent de blanchiment sans danger pour les couleurs, de l'activateur de lessive de type Oxi ou de l'assouplissant pour tissu sous forme de cristaux est utilisé, l'ajouter au panier avant d'y déposer le linge.

REMARQUE : Toujours suivre les instructions du fabricant.

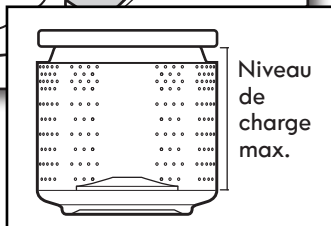
3. Charger les vêtements dans la laveuse



Pour un meilleur rendement, déposer les vêtements en vrac et de façon uniforme le long du plateau de lavage. Essayer de mélanger différents types d'articles pour réduire l'emmêlement.

IMPORTANT : Les articles doivent pouvoir se déplacer librement pour un nettoyage optimal et pour réduire le froissement et l'emmêlement.

REMARQUE : Le volume maximum est d'environ 1,52 pi³ (charge maximum de 4,4 lb par pi³).

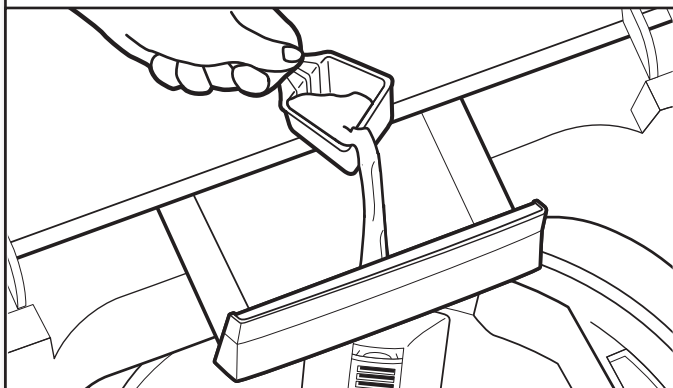


Niveau de charge max.

Utilisation des distributeurs de produits de lessive

REMARQUE : Ne pas ajouter de détergent de lessive liquide, de sachets de lessive à dose unique, d'agent de blanchiment sans danger pour les couleurs, d'activateurs de lessive de type Oxi ou d'assouplissant pour tissu sous forme de cristaux dans les distributeurs. Ces produits ne se dissoudront pas correctement. Ajouter dans le panier avant d'ajouter la lessive.

4. Verser le détergent en poudre HE



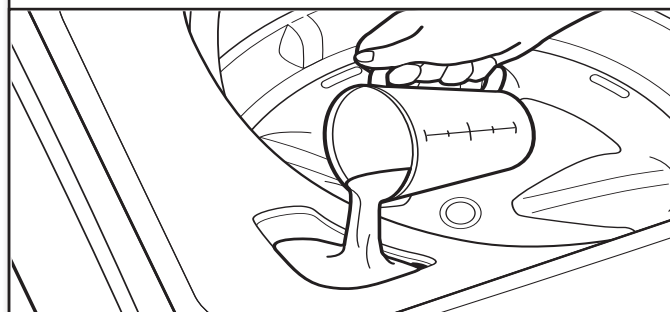
IMPORTANT : Utiliser uniquement des détergents haute efficacité. L'emballage portera la mention "HE" ou "High Efficiency" (haute efficacité). Un lavage avec faible consommation d'eau produit un excès de mousse avec un détergent non HE ordinaire. Il est probable que l'utilisation d'un détergent ordinaire prolongera la durée des programmes et réduira la performance de rinçage. Ceci peut aussi entraîner des défaillances de composants et, avec le temps, une accumulation de moisissure. Les détergents HE devraient produire peu de mousse et se dissoudre rapidement pour produire une quantité de mousse idéale pour une performance optimale. Ils devraient retenir les particules de saleté en suspension afin qu'elles ne se redéposent pas sur les vêtements propres. Les détergents identifiés HE ne comportent pas tous une formule identique et

ne produisent pas tous la même quantité de mousse. Par exemple, les détergents HE naturels, organiques et faits maison peuvent produire une plus grande quantité de mousse. Toujours suivre les recommandations du fabricant de détergent pour déterminer la quantité de détergent à utiliser.

REMARQUES :

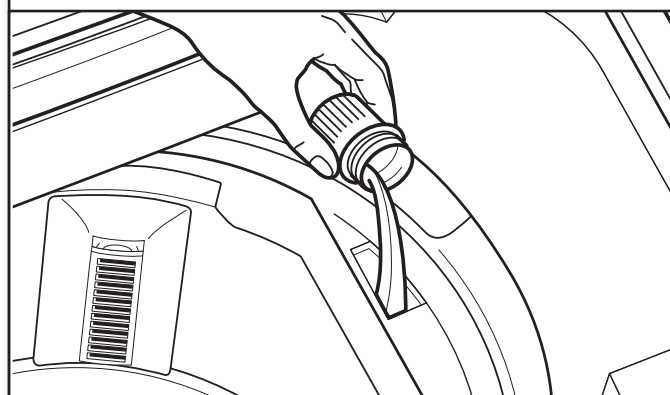
- Utiliser uniquement du détergent HE en poudre dans le distributeur de détergent. Ajouter le détergent HE liquide ou un sachet à dose unique dans le panier avant d'ajouter le linge.
- Voir "Entretien de la laveuse" pour plus d'information sur la méthode recommandée pour le nettoyage des distributeurs de la laveuse.

5. Ajouter de l'agent de blanchiment liquide au chlore dans le distributeur



L'eau de Javel sera distribuée automatiquement lors de la partie lavage du programme. Ne pas remplir excessivement le distributeur, diluer le produit ou utiliser plus d'une (1) tasse (250 mL). Ne pas utiliser d'agent de blanchiment sans danger pour les couleurs ni de produit Oxi avec un programme utilisant de l'eau de Javel.

6. Ajouter d'assouplissant de tissu liquide



Verser une mesure d'assouplissant pour tissu liquide dans le distributeur – toujours suivre les instructions du fabricant concernant la dose d'assouplissant pour tissu à utiliser en fonction de la taille de la charge. L'assouplissant pour tissu est ajouté au cours du rinçage.

IMPORTANT : Ne pas remplir le distributeur excessivement ni diluer le produit. Si l'on remplit excessivement le distributeur, l'assouplissant pour tissu sera distribué dans la laveuse immédiatement.

Il est normal qu'il reste une petite quantité d'eau dans le distributeur une fois le programme terminé.

REMARQUE : Le distributeur d'assouplissant pour tissu tourne autour du panier de lavage et peut ne pas toujours être dans le même endroit.

7. Appuyer sur POWER (mise en marche) pour mettre en marche la laveuse



Rabattre le couvercle de la laveuse. Il n'y aura pas de remplissage, d'agitation ni d'essorage si le couvercle est ouvert. S'assurer que le tiroir distributeur est complètement fermé, puis appuyer sur POWER (mise sous tension) pour mettre la laveuse en marche.

8. Sélectionner la taille de la charge

- Large
- Medium
- Small



Appuyer sur le bouton Load Size (taille de la charge) pour sélectionner le bon réglage pour votre charge de lavage et le type de tissu à laver. Choisir un niveau d'eau qui permet que la charge se déplace librement pour le meilleur soin des tissus. Si une taille de charge n'est pas sélectionnée, le niveau d'eau sera réglé par la détection de la charge.

Lorsque Medium (moyen) est sélectionné pour un cycle normal ou intense, la laveuse détecte la taille de la charge et ajuste la quantité d'eau nécessaire.

Vous pouvez changer la taille de charge pendant que la laveuse se remplit. Si vous passez de la taille Large (grande) au niveau Medium (moyen), mais que l'eau a dépassé le niveau Medium (moyen), le nouveau réglage sera pris en compte au remplissage suivant.

9. Sélectionner WASH TEMP (Température de lavage)

- Hot
- Warm
- Cold

CONTROL LOCK



CONTROL LOCK
HOLD 3 SEC

Régler la température de l'eau pour le type de tissu et de saleté à laver. Utiliser l'eau de lavage la plus chaude sans danger pour le tissu. Suivre les instructions figurant sur l'étiquette des vêtements.

Pour les installations portatives

Ouvrir les robinets raccordés aux tuyaux d'alimentation en eau.

Les températures de lavage et de rinçage sont réglées au robinet. La commande de température ne règle pas la température.

Ajuster les robinets d'eau froide et d'eau chaude à la température de lavage désirée. Laisser la commande de température à Cold (froid).

REMARQUE : Le réglage Cold (froid) permet à l'eau du robinet d'entrer dans la laveuse, mais ne contrôle pas la température d'arrivée de l'eau.

Pour obtenir une température de rinçage différente de celle du lavage, vous devez ajuster la température de l'eau au robinet une fois que la laveuse a terminé son remplissage initial.

Pour tester la température de l'eau, appuyer sur le bouton rouge de débit de l'eau sur le connecteur de tuyau. L'eau sort dès que le bouton est enfoncé, ce qui permet d'échantillonner la température.

Pour les installations définitives

Les programmes de rinçage et d'essorage utilisent par défaut de l'eau froide, tous les autres programmes utilisent un rinçage à l'eau chaude. Appuyer sur le bouton Wash Temp (température de lavage) pour sélectionner une température de lavage différente.

Sélection des températures de l'eau

REMARQUE : Toujours lire et suivre les instructions des étiquettes de soin des tissus pour éviter d'endommager les articles.

Température de l'eau	Tissus suggérés
Chaude	Blancs et couleurs claires Articles durables Saleté intense
Tiède	Couleurs vives Saleté modérée à légère
Froid	Couleurs qui déteignent ou s'atténuent Saleté légère

REMARQUE : Les détergents ne se dissolvent pas bien dans les températures d'eau de lavage inférieures à 60°F (15,6°C). Les saletés peuvent être difficiles à enlever. Certains tissus peuvent retenir les faux plis et produire un boulochage accru (formation de petites boules de charpie à la surface des vêtements).

ENTRETIEN DE LA LAVEUSE

10. Sélectionner le PROGRAMME

- Normal ● Rinse
- Delicate ● Spin
- Heavy ● Clean Washer

Cycle
Select

Appuyer sur le bouton Cycle Select (sélectionner programme) pour sélectionner un programme de lavage. Voir "Guide de programmes" pour plus de détails concernant les caractéristiques de programmes.

11. Appuyer sur START/PAUSE (mise en marche/pause) pour démarrer le programme de lavage



Appuyer sur START/PAUSE (démarrage/pause) pour démarrer le programme de lavage. Lorsque le programme est terminé, le signal de fin de programme retentit (si activé). Retirer rapidement les articles une fois le programme terminé pour empêcher la formation d'odeurs, réduire le froissement et empêcher les crochets métalliques, fermetures à glissière et boutons-pression de rouiller.

Déverrouiller le couvercle pour ajouter des articles

Si l'on doit ouvrir le couvercle pour ajouter 1 ou 2 articles oubliés :

Appuyer sur START/PAUSE (démarrage/pause) pour interrompre la laveuse; le couvercle se déverrouille une fois que le mouvement de la laveuse a cessé. Il se peut que cela prenne plusieurs minutes si la laveuse essorait la charge à grande vitesse. Fermer ensuite le couvercle et appuyer de nouveau sur START/PAUSE (démarrage/pause) pour redémarrer le programme.

Pour arrêter et remettre la laveuse en marche

- Pour arrêter la laveuse à tout moment, appuyer sur START/PAUSE (démarrage/pause), le programme fera une pause.
- Pour remettre la laveuse en marche, appuyer sur START/PAUSE (démarrage/pause) et le programme reprendra.

Tuyaux d'arrivée d'eau

Remplacer les tuyaux d'arrivée d'eau après 5 ans d'utilisation pour réduire le risque de défaillance intempestive. Inspecter périodiquement les tuyaux; les remplacer en cas de renflement, de déformation, de coupure et d'usure ou de fuite.

Lorsque vous remplacez les tuyaux d'arrivée d'eau, noter la date de remplacement au marqueur indélébile sur l'étiquette.

Entretien de la laveuse

Recommandations pour une laveuse propre et pour un niveau de performance optimal

1. Utiliser toujours un détergent HE (Haute efficacité) et employer la quantité de détergent recommandée par le fabricant du détergent HE. Ne jamais utiliser plus que la quantité recommandée de détergent, car ceci peut augmenter le taux d'accumulation de résidus de détergent et de souillures à l'intérieur de la laveuse, ce qui pourrait entraîner la formation d'odeurs indésirables.
2. Exécuter périodiquement des lavages avec de l'eau tiède ou chaude (et non pas exclusivement des lavages à l'eau froide), car l'eau chaude permet de contrôler plus efficacement la vitesse à laquelle les saletés et les résidus de détergent s'accumulent.
3. Veiller à toujours laisser le couvercle de la laveuse ouvert entre deux utilisations pour qu'elle puisse sécher et pour éviter l'accumulation de résidus générateurs d'odeurs.

Nettoyage de la laveuse à chargement par le dessus

Lire complètement ces instructions avant d'entreprendre les opérations de nettoyage de routine recommandées ci-dessous. Le programme de nettoyage de la laveuse doit être exécuté au moins une fois par mois ou à intervalles de 30 lavages (selon la période la plus courte des deux); ceci permettra de contrôler la vitesse à laquelle les résidus de détergent et les souillures s'accumulent dans la laveuse.

Nettoyage de l'intérieur de la laveuse

Pour que l'intérieur de la laveuse reste libre de toute odeur, suivre les instructions d'utilisation indiquées ci-dessus et effectuer la procédure de nettoyage mensuelle recommandée suivante :

Programme Clean Washer (nettoyage de la laveuse)

Cette laveuse comporte un programme spécial qui utilise un volume d'eau plus important en conjonction avec le nettoyant pour laveuse ou un agent de blanchiment liquide au chlore pour nettoyer l'intérieur de la laveuse.

Début de la procédure

1. Procédure de nettoyage avec le nettoyant pour laveuse (recommandé pour une performance optimale) :
 - a. Ouvrir le couvercle de la laveuse et retirer tout vêtement ou article.
 - b. Placer une pastille de nettoyant pour laveuse dans le fond du panier de la laveuse.
 - c. Ne pas placer de pastille de nettoyant pour laveuse dans le distributeur à détergent.

Entretien de la laveuse (suite)

- d. Ne pas ajouter de détergent ou autre composé chimique dans la laveuse lors de l'exécution de cette procédure.
- e. Rabattre le couvercle de la laveuse.
- f. Sélectionner le programme Clean Washer (nettoyage de la laveuse).
- g. Appuyer sur START/PAUSE (mise en marche/pause) pour démarrer le programme. Le processus du programme de nettoyage de la laveuse est décrit ci-dessous.

REMARQUE : Pour de meilleurs résultats, ne pas interrompre le programme. Si l'on doit interrompre le programme, appuyer sur POWER (mise sous tension). (Pour les modèles dépourvus du bouton Power (mise sous tension), appuyer sur START/PAUSE (mise en marche/pause) pendant trois secondes). Une fois le programme de nettoyage de la laveuse terminé, effectuer un programme Rinse (rinçage) pour rincer le nettoyant de la laveuse.

2. Méthode avec agent de blanchiment au chlore (autre option) :

- a. Ouvrir le couvercle de la laveuse et retirer tous les vêtements ou articles présents dans la laveuse.
- b. Verser 1 tasse (236 mL) d'agent de blanchiment liquide au chlore dans le distributeur d'agent de blanchiment.

REMARQUE : L'emploi d'une quantité d'agent de blanchiment liquide au chlore supérieure à ce qui est recommandé ci-dessus pourrait endommager la laveuse avec le temps.

- c. Rabattre le couvercle de la laveuse.
- d. Ne pas ajouter de détergent ou autre composé chimique dans la laveuse lors de l'exécution de cette procédure.
- e. Sélectionner le programme Clean Washer (nettoyage de la laveuse).
- f. Appuyer sur START/PAUSE pour démarrer le programme. Le processus du programme Clean Washer (nettoyage de la laveuse) est décrit ci-dessous.

REMARQUE : Pour de meilleurs résultats, ne pas interrompre le programme. Si l'on doit interrompre le programme, appuyer sur POWER (mise sous tension). (Pour les modèles dépourvus du bouton POWER [mise sous tension], appuyer sur START/PAUSE (mise en marche/pause) pendant 3 secondes). Une fois le programme de nettoyage de la laveuse terminé, effectuer un programme Rinse (rinçage) pour rincer le nettoyant de la laveuse.

Description de l'utilisation du programme de nettoyage de la laveuse :

1. Ce programme remplit la laveuse à un niveau supérieur à celui des programmes de lavage ordinaires afin que le niveau de l'eau de rinçage soit supérieur à celui d'un programme de lavage ordinaire.
2. Ce programme comporte une agitation et un essorage pour améliorer l'élimination des souillures.

Une fois ce programme terminé, laisser le couvercle ouvert pour permettre une meilleure ventilation et pour que l'intérieur de la laveuse puisse sécher.

Entretien de la laveuse (suite)

Nettoyage des distributeurs

Après avoir utilisé la laveuse pendant longtemps, on peut parfois constater une accumulation de résidus dans les distributeurs de la laveuse. Pour éliminer les résidus des distributeurs, les essuyer avec un chiffon humide et les sécher avec une serviette. Ne pas tenter de retirer les distributeurs ou la garniture pour le nettoyage. Les distributeurs et la garniture ne peuvent pas être retirés. Cependant, si votre modèle comporte un tiroir distributeur, retirer le tiroir et le nettoyer avant ou après avoir effectué le programme de nettoyage de la laveuse. Si nécessaire, utiliser un nettoyant tout-usage.

Nettoyage de l'extérieur de la laveuse

Utiliser une éponge ou un chiffon doux et humide pour essuyer les renversements éventuels. Utiliser uniquement des savons ou nettoyants doux pour nettoyer la surface externe de la laveuse.

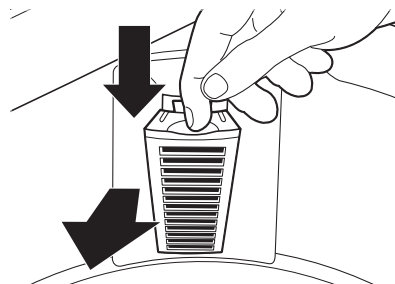
IMPORTANT : Afin d'éviter d'endommager le revêtement de la laveuse, ne pas utiliser de produits abrasifs.

Entretien de la laveuse (suite)

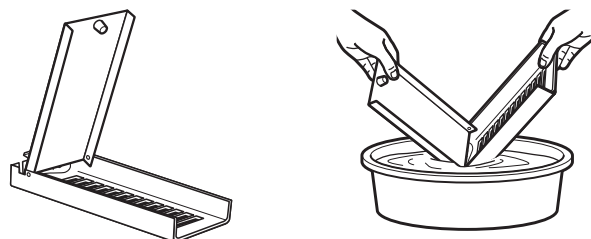
Nettoyage du filtre à charpie

Nettoyer le filtre après chaque charge.

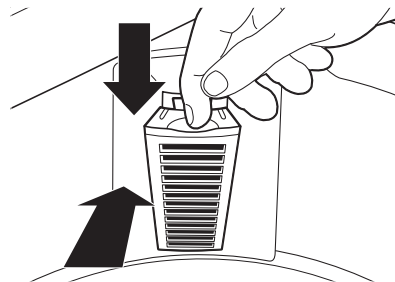
1. Appuyer sur le filtre vers le bas ensuite tirer vers l'arrière pour ôter le filtre à charpie.



2. Ouvrir le filtre à charpie et nettoyer avec de l'eau.



3. Installer le filtre à charpie en insérant d'abord la partie inférieure du filtre, puis appuyer sur le filtre vers le bas et vers l'avant pour le fixer.



Transport de la laveuse

1. Fermer les deux robinets d'eau. Débrancher et vidanger les tuyaux d'arrivée d'eau.
2. Si l'on déplace la laveuse pendant une période de gel, suivre les instructions de la section ENTRETIEN POUR ENTREPOSAGE HIVERNAL avant de la déplacer.
3. Déconnecter le tuyau d'évacuation du système d'évacuation et de l'arrière de la laveuse.
4. Débrancher le cordon d'alimentation.
5. Placer les tuyaux d'arrivée d'eau et le tuyau d'évacuation dans le tambour de la laveuse.
6. Enrouler le cordon d'alimentation et l'attacher avec un élastique ou avec un attache-câble pour l'empêcher de traîner sur le plancher.

Non utilisation et entretien en période de vacances

Faire fonctionner la laveuse seulement lorsqu'on est présent. En cas de déménagement ou si l'on n'utilise pas la laveuse pendant longtemps, suivre les étapes suivantes :

1. Débrancher la laveuse ou déconnecter la source de courant électrique.
2. Fermer l'alimentation en eau à la laveuse pour éviter toute inondation due à une surpression.
3. Nettoyer les distributeurs. Voir "Nettoyage des distributeurs".

Entretien pour entreposage hivernal

IMPORTANT : Pour éviter tout dommage, installer et remiser la laveuse à l'abri du gel. L'eau qui peut rester dans les tuyaux risque d'abîmer la laveuse en temps de gel. Si la laveuse doit faire l'objet d'un déménagement ou d'entreposage au cours d'une période de gel, hivériser la laveuse.

Hivérisation de la laveuse :

1. Fermer les deux robinets d'eau; déconnecter et vidanger les tuyaux d'arrivée d'eau.
2. Placer 1 pte (1 L) d'antigel pour véhicule récréatif dans le tambour de la laveuse et faire fonctionner la laveuse sur un programme Normal pendant environ 2 minutes pour mélanger l'antigel et l'eau restante.
3. Débrancher la laveuse ou déconnecter la source de courant électrique.

⚠ AVERTISSEMENT



Risque de choc électrique

Brancher sur une prise à 3 alvéoles reliée à la terre.

Ne pas enlever la broche de liaison à la terre.

Ne pas utiliser un adaptateur.

Ne pas utiliser un câble de rallonge.

Le non-respect de ces instructions peut causer un décès, un incendie ou un choc électrique.

Réinstallation/réutilisation de la laveuse

Pour réinstaller la laveuse après une période de non-utilisation, de vacances, de remisage pour l'hiver ou après un déménagement :

1. Consulter les instructions d'installation pour choisir l'emplacement, régler l'aplomb de la laveuse et la raccorder.
2. Avant de réutiliser la laveuse, exécuter la procédure recommandée suivante :

Remise en marche de la laveuse :

1. Vidanger les canalisations d'eau et les tuyaux. Reconnecter les tuyaux d'arrivée d'eau. Ouvrir les deux robinets d'eau.
2. Brancher la laveuse ou reconnecter la source de courant électrique.
3. Faire exécuter à la laveuse le programme Heavy (service intense) pour nettoyer la laveuse et éliminer l'antigel, le cas échéant. Utiliser uniquement un détergent HE. Utiliser la moitié de la quantité recommandée par le fabricant pour une charge de taille moyenne.

DÉPANNAGE

Essayer d'abord les solutions suggérées ici pour obtenir de l'aide et pour éviter une intervention de réparation.

Si vous rencontrez les problèmes suivants	Causes possibles	Solution
Vibrations ou déséquilibre		
Vibrations, balancement ou effet de "marche" de la machine	Les pieds ne sont peut-être pas en contact avec le plancher ou verrouillés.	Les pieds ou roulettes avant et arrière doivent être en contact ferme avec le plancher et la laveuse doit être d'aplomb pour fonctionner correctement.
	La laveuse n'est peut-être pas d'aplomb.	Vérifier que le plancher n'est pas incurvé ou qu'il ne s'affaisse pas. Si le plancher est irrégulier, un morceau de contreplaqué de 3/4" (19 mm) placé sous la laveuse permettra de réduire le bruit.
		Voir "Réglage de l'aplomb de la laveuse" dans les Instructions d'installation.
Vibration durant l'essorage ou laveuse arrêtée	La charge est peut-être déséquilibrée.	Charger les articles sans les tasser et de façon uniforme autour du plateau de lavage. Le fait d'ajouter des articles mouillés ou de rajouter de l'eau dans le panier pourrait déséquilibrer la laveuse.
		Éviter de laver un article seul. Compenser le poids d'un article seul tel qu'un tapis ou une veste en jeans par quelques articles supplémentaires pour équilibrer le tout. Redistribuer la charge, fermer le couvercle et appuyer sur START/PAUSE (mise en marche/pause).
		L'article ou la charge ne convient pas au programme sélectionné. Voir "Guide de programmes" et "Utilisation de la laveuse".
Bruits		
Cliquetis ou bruits métalliques	Des objets peuvent être coincés dans le système de vidange de la laveuse.	Vider les poches avant le nettoyage. Les articles mobiles tels des pièces de monnaie sont susceptibles de tomber entre le panier et la cuve; ils peuvent aussi obstruer la pompe. Un appel pour intervention de dépannage s'avéra peut-être nécessaire pour retirer ces objets.
		Il est normal d'entendre des articles métalliques faisant partie des articles comme les boutons-pression métalliques, boucles ou fermetures à glissière toucher le panier en acier inoxydable.
Gargouillement ou bourdonnement	La laveuse est peut-être en train d'évacuer de l'eau.	Il est normal d'entendre la pompe produire un bourdonnement continu accompagné de gargouillements ou de bruits de pompage périodiques lorsque les quantités d'eau restantes sont éliminées au cours des programmes d'essorage/de vidange.
Ronronnement	Le processus de détection de la charge est peut-être en cours.	Les essorages de détection peuvent émettre un bourdonnement après le démarrage de la laveuse. Ceci est normal.
Frottement rythmique	Le panier peut ralentir.	Il se peut que le panier qui ralentit émette un bruit de frottement rythmique. Ceci est normal.
Fuites d'eau		
Vérifier ce qui suit pour que l'installation soit correcte :	La laveuse n'est pas d'aplomb.	Il est possible que de l'eau éclabousse en dehors du panier si la laveuse n'est pas d'aplomb.
	Les tuyaux de remplissage ne sont pas solidement fixés.	Serrer le raccord du tuyau de remplissage.
	Rondelles d'étanchéité des tuyaux de remplissage.	S'assurer que les rondelles d'étanchéité plates des tuyaux de remplissage sont correctement installées.
	Raccord du tuyau de vidange.	Fixer solidement le tuyau d'évacuation au tuyau de rejet à l'égout ou à l'évier de buanderie.
		Ne pas placer de ruban adhésif sur l'ouverture du système de vidange.
Inspecter le circuit de plomberie du domicile pour vérifier qu'il n'y a pas de fuites ou que l'évier ou le tuyau de vidange n'est pas obstrué.	De l'eau pourrait refouler de l'évier ou du tuyau de rejet à l'égout obstrué. Inspecter tout le circuit de plomberie du domicile (évier de buanderie, tuyau de vidange, conduites d'eau et robinets) pour vérifier qu'il n'y a aucune fuite.	

DÉPANNAGE

Essayer d'abord les solutions suggérées ici pour obtenir de l'aide et pour éviter une intervention de réparation.

Si vous rencontrez les problèmes suivants	Causes possibles	Solution
Fuites d'eau (suite)		
Vérifier ce qui suit pour que l'installation soit correcte : (suite)	La laveuse n'a pas été chargée comme recommandé.	Une charge déséquilibrée peut entraîner une déviation du panier; de l'eau pourrait alors éclabousser en dehors de la cuve. Voir "Utilisation de la laveuse" pour des instructions sur le chargement.
La laveuse ne fonctionne pas comme prévu		
Quantité d'eau insuffisante dans la laveuse	La charge n'est pas complètement submergée dans l'eau.	Ceci correspond à un fonctionnement normal pour une laveuse HE à faible consommation d'eau. La charge ne sera pas complètement submergée. La laveuse détecte la taille de la charge et ajoute la bonne quantité d'eau pour un nettoyage optimal. IMPORTANT : Ne pas ajouter d'eau dans la laveuse. De l'eau supplémentaire éloignerait les articles du plateau de lavage en le soulevant, ce qui affaiblirait la performance de nettoyage.
		Lancer le programme Clean Washer (nettoyage de la laveuse) afin d'optimiser le niveau d'eau et la performance de lavage.
La laveuse ne fonctionne pas ou ne se remplit pas; elle cesse de fonctionner	Vérifier que l'alimentation en eau est adéquate.	Les tuyaux doivent être fixés et l'eau doit pénétrer dans la valve d'arrivée.
		Les robinets d'eau doivent être ouverts.
		Vérifier que les tamis des valves d'arrivée ne sont pas obstrués.
		Vérifier que les tuyaux d'arrivée d'eau ne sont pas déformés; ceci peut réduire le débit.

⚠ AVERTISSEMENT



Risque de choc électrique

Brancher sur une prise à 3 alvéoles reliée à la terre.

Ne pas enlever la broche de liaison à la terre.

Ne pas utiliser un adaptateur.

Ne pas utiliser un câble de rallonge.

Le non-respect de ces instructions peut causer un décès, un incendie ou un choc électrique.

La laveuse ne fonctionne pas ou ne se remplit pas; elle cesse de fonctionner (suite)	Vérifier que l'alimentation électrique à la machine est correcte.	Brancher le cordon d'alimentation dans une prise à 3 alvéoles reliée à la terre. Ne pas utiliser de rallonge. Vérifier que la prise est alimentée. Réarmer le disjoncteur déclenché. Remplacer tout fusible grillé. REMARQUE : Si le problème persiste, appeler un électricien.
	Fonctionnement normal de la laveuse.	Le couvercle doit être fermé pour que la laveuse puisse fonctionner.

DÉPANNAGE

Essayer d'abord les solutions suggérées ici pour obtenir de l'aide et pour éviter une intervention de réparation.

Si vous rencontrez les problèmes suivants	Causes possibles	Solution
La laveuse ne fonctionne pas comme prévu (suite)		
La laveuse ne fonctionne pas ou ne se remplit pas; elle cesse de fonctionner (suite)	Fonctionnement normal de la laveuse. (suite)	La laveuse fait des pauses durant certaines phases du programme. Ne pas interrompre le programme. On peut arrêter la laveuse pour réduire la production de mousse.
	La charge de la laveuse est peut-être trop tassée.	Retirer plusieurs articles et ré-agencer la charge de façon uniforme le long du plateau de lavage. Fermer le couvercle, appuyer sur START/PAUSE (mise en marche/pause).
		Si l'on souhaite ajouter des articles une fois que la laveuse a démarré, n'en rajouter qu'un ou deux.
		Ne pas ajouter d'eau dans la laveuse.
	Détergent HE non utilisé ou utilisation excessive de détergent HE.	Utiliser uniquement un détergent HE. La mousse produite par des détergents ordinaires peut ralentir ou arrêter la laveuse. Toujours mesurer la quantité de détergent et suivre les instructions du détergent en fonction des modalités de nettoyage de la charge.
Pour éliminer la mousse, annuler le programme. Sélectionner RINSE (rinçage), puis SPIN (essorage). Ne pas ajouter de détergent.		
La laveuse ne se vidange/n'essore pas; les charges restent mouillées	Des petits articles sont peut-être coincés dans la pompe ou entre le panier et la cuve, ce qui peut ralentir la vidange.	Vider les poches et utiliser des sacs à linge pour les petits articles.
	Utiliser des programmes comportant une vitesse d'essorage inférieure.	Les programmes avec vitesses d'essorage réduites éliminent moins d'eau que les programmes qui comportent des vitesses d'essorage supérieures. Utiliser le programme/la vitesse d'essorage recommandé correspondant aux articles.
	La charge de la laveuse est peut-être tassée ou déséquilibrée.	Des charges trop tassées peuvent empêcher la laveuse d'essorer correctement : les charges ressortent donc plus mouillées qu'elles ne devraient l'être. Répartir uniformément la charge mouillée pour que l'essorage soit équilibré. Sélectionner SPIN (essorage) pour éliminer l'eau restée dans la machine. Voir "Utilisation de la laveuse" pour des recommandations sur la façon de charger la machine.
	Charge de linge déséquilibrée.	Voir "Vibration or Off-Balance" (vibrations ou déséquilibre) dans la section "Dépannage" pour plus d'informations.
	Inspecter le circuit de plomberie pour vérifier que le tuyau de vidange est correctement installé. Le tuyau de vidange se prolonge dans le tuyau rigide de rejet à l'égout au-delà de 4,5" (114 mm).	Vérifier que le tuyau de vidange est correctement installé. Utiliser la bride de retenue pour tuyau de vidange et la fixer solidement au tuyau rigide de rejet à l'égout ou à la cuve. Ne pas placer de ruban adhésif sur l'ouverture du système de vidange. Abaisser le tuyau de vidange si l'extrémité se trouve à plus de 72" (183 cm) au-dessus du plancher. Retirer toute obstruction du tuyau de vidange.
	Détergent HE non utilisé ou utilisation excessive de détergent HE.	Un excès de mousse causé par l'utilisation d'un détergent ordinaire ou d'un surplus de détergent peut ralentir ou arrêter la vidange ou l'essorage. Utiliser uniquement un détergent HE. Toujours mesurer les quantités et suivre les instructions du détergent en fonction de la charge. Pour éliminer tout excès de mousse, sélectionner RINSE (rinçage). Ne pas ajouter de détergent.
	Températures de lavage ou de rinçage incorrectes	Vérifier que l'alimentation en eau est adéquate.
Pour les installations définitives, les deux tuyaux doivent être raccordés à la fois à la laveuse et au robinet, la valve d'arrivée doit recevoir à la fois de l'eau chaude et de l'eau froide.		

DÉPANNAGE

Essayer d'abord les solutions suggérées ici pour obtenir de l'aide et pour éviter une intervention de réparation.

Si vous rencontrez les problèmes suivants	Causes possibles	Solution
La laveuse ne fonctionne pas comme prévu (suite)		
Températures de lavage ou de rinçage incorrectes (suite)	Vérifier que l'alimentation en eau est adéquate. (suite)	Vérifier que les tamis des valves d'arrivée ne sont pas obstrués.
		Éliminer toute déformation des tuyaux.
Charge non rincée	Vérifier que l'alimentation en eau est adéquate.	Pour les installations définitives, vérifier que les tuyaux d'arrivée d'eau chaude et d'eau froide ne sont pas inversés.
		Les deux tuyaux doivent être fixés et l'eau doit s'écouler dans les valves d'arrivée ou du robinet.
		Pour les installations définitives, les robinets d'eau chaude et d'eau froide doivent être ouverts tous les deux. Pour les installations portatives, le robinet d'évier doit être ouvert.
		Les tamis des valves d'arrivée d'eau de la laveuse sont peut-être obstrués.
		Éliminer toute déformation du tuyau d'arrivée.
	Détergent HE non utilisé ou utilisation excessive de détergent HE.	La mousse produite par un détergent ordinaire peut empêcher la laveuse de fonctionner correctement.
		Utiliser uniquement un détergent HE. Veiller à mesurer correctement.
		Toujours mesurer la quantité de détergent et suivre les instructions du détergent en fonction de la taille et du niveau de saleté de la charge.
	La charge de la laveuse est peut-être trop tassée.	La laveuse effectuera un rinçage moins performant si l'on tasse les articles à l'intérieur.
		Charger les articles sans les tasser et de façon uniforme autour du plateau de lavage.
Utiliser le programme conçu pour les tissus à laver.		
Si l'on souhaite ajouter des articles une fois que la laveuse a démarré, n'en rajouter qu'un ou deux.		
Sable, poils d'animaux, charpie, etc. sur la charge après le nettoyage	Des résidus lourds de sable, de poils d'animaux, de charpie et de détergent ou d'agent de blanchiment peuvent nécessiter un rinçage supplémentaire.	Faire exécuter un programme de rinçage supplémentaire.
La charge est emmêlée	La laveuse n'a pas été chargée comme recommandé.	Charger les articles sans les tasser et de façon uniforme autour du plateau de lavage.
		Réduire l'emmêlement en mêlant plusieurs types d'articles dans la charge. Utiliser le programme recommandé correspondant aux types d'articles à laver.
	Action de lavage ou vitesse d'essorage trop rapide pour la charge.	Sélectionner un programme comportant un lavage plus lent et une vitesse d'essorage inférieure. Notons que les articles seront plus mouillés que si l'on utilise une vitesse d'essorage supérieure.
Ne nettoie ou ne détache pas	La charge de lavage n'est pas complètement submergée dans l'eau.	La laveuse détecte la taille de la charge et ajoute la quantité d'eau adéquate. Ceci est normal et nécessaire au mouvement des vêtements.
	Davantage d'eau a été ajoutée à la laveuse.	Ne pas ajouter d'eau dans la laveuse. De l'eau supplémentaire éloignerait les articles du plateau de lavage en le soulevant, ce qui affaiblirait la performance de nettoyage.
	La laveuse n'a pas été chargée comme recommandé.	Charger les articles sans les tasser et de façon uniforme autour du plateau de lavage.
Si l'on souhaite ajouter des articles une fois que la laveuse a démarré, n'en rajouter qu'un ou deux.		

DÉPANNAGE

Essayer d'abord les solutions suggérées ici pour obtenir de l'aide et pour éviter une intervention de réparation.

Si vous rencontrez les problèmes suivants	Causes possibles	Solution
La laveuse ne fonctionne pas comme prévu (suite)		
Ne nettoie ou ne détache pas (suite)	Détergent HE non utilisé ou utilisation excessive de détergent HE.	La mousse produite par un détergent ordinaire peut empêcher la laveuse de fonctionner correctement.
		Utiliser uniquement un détergent HE. Veiller à mesurer correctement.
		Toujours mesurer la quantité de détergent et suivre les instructions du détergent en fonction de la taille et du niveau de saleté de la charge.
	Programme utilisé incorrect par rapport au type de tissu.	Utiliser une option de programme de niveau de saleté plus élevée et une température de lavage plus chaude pour améliorer le nettoyage.
		Utiliser le programme Heavy (service intense) pour un nettoyage puissant.
		Voir le "Guide de programmes" pour utiliser le programme qui correspond le mieux à la charge utilisée.
	Les distributeurs ne sont pas utilisés.	Utiliser les distributeurs pour éviter que l'agent de blanchiment au chlore ou l'assouplissant pour tissu ne tachent les vêtements.
		Remplir les distributeurs avant de démarrer un programme.
		Éviter de les remplir excessivement.
		Ne pas verser de produits directement sur la charge.
Les couleurs similaires ne sont pas lavées ensemble.	Laver ensemble les couleurs semblables et les retirer rapidement une fois le programme terminé pour éviter tout transfert de teinture.	
Odeurs	L'entretien mensuel n'est pas effectué tel que recommandé.	Faire fonctionner le programme Clean Washer (nettoyage de la laveuse) après chaque série de 30 lavages. Voir "Entretien de la laveuse".
		Décharger la laveuse dès que le programme est terminé.
	Détergent HE non utilisé ou utilisation excessive de détergent HE.	Utiliser uniquement un détergent HE. Veiller à mesurer correctement.
		Toujours suivre les instructions du détergent.
		Voir la section "Entretien de laveuse".
Dommages aux tissus	Des objets pointus se trouvaient dans les poches au moment du programme de lavage.	Vider les poches, fermer les fermetures à glissière, les boutons pression et les agrafes avant le lavage pour éviter d'accrocher et de déchirer le linge.
	Les cordons et les ceintures se sont peut-être emmêlés.	Attacher tous les cordons et les ceintures avant de démarrer le nettoyage de la charge.
	Les articles étaient peut-être endommagés avant le lavage.	Raccorder les déchirures et reprendre les fils cassés des coutures avant le lavage.
	Les tissus peuvent subir des dommages si l'on tasse le linge dans la laveuse.	Charger les articles sans les tasser et de façon uniforme autour du plateau de lavage.
		Les articles de la charge devraient se déplacer librement pendant le lavage pour éviter des dommages.
		Utiliser le programme conçu pour les tissus à laver.
		Si l'on souhaite ajouter des articles une fois que la laveuse a démarré, n'en rajouter qu'un ou deux.
	Les instructions de soin des vêtements n'ont peut-être pas été respectées.	Toujours lire et suivre les instructions d'entretien du fabricant indiquées sur l'étiquette du vêtement. Voir le "Guide de programmes" pour utiliser le programme qui correspond le mieux à la charge utilisée.

DÉPANNAGE

Essayer d'abord les solutions suggérées ici pour obtenir de l'aide et pour éviter une intervention de réparation.

Si vous rencontrez les problèmes suivants	Causes possibles	Solution
La laveuse ne fonctionne pas comme prévu (suite)		
Dommages aux tissus (suite)	Vous n'avez peut-être pas ajouté l'eau de Javel correctement.	Ne pas verser d'eau de Javel directement sur la charge. Essuyer tous les renversements d'agent de blanchiment.
		Un agent de blanchiment non dilué endommagera les tissus. Ne pas utiliser plus que la quantité recommandée par le fabricant.
		Ne pas placer d'articles sur le dessus du distributeur d'agent de blanchiment lorsqu'on charge et décharge la laveuse.
Fonctionnement incorrect du distributeur	Distributeurs obstrués ou produits de lessive distribués trop tôt.	Ne pas remplir excessivement le distributeur. Un remplissage excessif peut entraîner une distribution immédiate.
		Remplir les distributeurs avant de démarrer un programme.
		Il est normal qu'il reste de petites quantités d'eau dans le distributeur une fois le programme terminé.
		L'assouplissant pour tissu s'épaissit après une longue durée d'utilisation. S'il y a une augmentation d'assouplissant pour tissu dans le distributeur après un programme, alors vérifier l'ancienneté de l'assouplissant pour tissu et remplacer si nécessaire.
		Pour les domiciles présentant une basse pression d'eau, il est possible qu'il reste de la poudre dans le distributeur. Pour éviter cela, sélectionner une température de lavage plus chaude (si possible – en fonction de la charge). Ne pas placer de sachets de lessive à dose unique dans le distributeur. Il pourrait ne pas se dissoudre correctement et obstruer le distributeur.
	L'eau de Javel n'a pas été versée dans le distributeur.	Utiliser uniquement un agent de blanchiment liquide dans le distributeur d'agent de blanchiment.
Le détergent en poudre ne se dissout pas complètement dans une brassée	Quantité de détergent HE utilisée excessive.	Suivre les instructions du fabricant pour déterminer la quantité de détergent à utiliser.
	La température d'eau est trop froide.	Sélectionner une température de lavage plus chaude. Essayer d'ajouter le détergent au panier avant d'ajouter le linge, plutôt que d'utiliser le distributeur de détergent.
Le sachet de lessive à dose unique ne se dissout pas	Sachet de lessive mal utilisé.	Veiller à ajouter le sachet de lessive dans le panier de la laveuse avant d'ajouter les vêtements. Suivre les instructions du fabricant pour éviter d'endommager les articles.
Un code d'erreur apparaît sur l'affichage		
E1 – Alarme d'arrivée d'eau	Le niveau d'eau n'est pas atteint après 20 minutes.	Vérifier que les robinets d'eau ne sont pas fermés.
		Vérifier que la pression d'eau du domicile est supérieure à 3 psi (20 kPa).
		Nettoyer les tamis de filtration des tuyaux d'arrivée d'eau.
		Vérifier que le tuyau d'évacuation n'est pas inférieur à 39" (990 cm) du plancher.
E2 – Alarme d'évacuation	La laveuse détecte toujours de l'eau pendant 8 minutes après l'évacuation d'eau.	Vérifier que le tuyau d'évacuation n'est pas plus de 72" (183 cm) du plancher.
		Retirer toute obstruction du tuyau de vidange.
E3 – Alarme de charge déséquilibrée	La charge de la laveuse est peut être trop tassée ou les vêtements ne sont pas distribués uniformément.	Retirer plusieurs articles et ré-agencer la charge de façon uniforme le long du plateau de lavage et redémarrer le programme d'essorage.
E4 – Alarme de couvercle ouvert	Ouverture du couvercle lors du programme d'essorage.	Rabattre le couvercle.
EA ou EC – Autres erreurs	Autre	Appeler pour obtenir de l'assistance technique. (Voir la couverture arrière.)

CONTRATS DE PROTECTION

Contrats principaux de protection

Nous vous félicitons d'avoir fait un achat judicieux. Votre nouvel appareil Kenmore® est conçu et fabriqué pour vous procurer des années de fonctionnement fiable.

Mais comme pour tous les produits, il pourra à l'occasion nécessiter un entretien préventif ou une réparation. Le cas échéant, un Contrat principal de protection peut vous épargner de l'argent et des soucis.

Le Contrat principal de protection contribue aussi à prolonger la vie utile de votre nouvel appareil ménager. Le Contrat* inclut :

Pièces et main d'œuvre nécessaires pour conserver les appareils en état de fonctionnement correct **pendant une utilisation normale**, pas uniquement pour remédier aux défaillances. Notre couverture **s'étend bien au-delà de la garantie du produit**. Aucune franchise, aucune anomalie de fonctionnement ne sont exclues de ce contrat – **protection réelle**.

Un service d'expert proposé par plus de 10 000 techniciens **d'entretien Sears autorisés**, ce qui signifie que quelqu'un de confiance prendra soin de votre produit.

Appels de service illimités et service national, aussi souvent que vous en avez besoin et quand vous en avez besoin.

Remplacement de votre produit couvert si au moins quatre panes se produisent en deçà de douze mois.

Remplacement du produit si votre produit couvert ne peut être réparé.

Vérification annuelle d'entretien préventif sur demande – sans frais supplémentaires.

Aide rapide par téléphone – nous appelons cela **Résolution rapide** – support téléphonique d'un agent de Sears sur tous les produits. Considérez-nous comme un "manuel d'utilisateur parlant".

Protection contre les sautes de puissance pour prévenir les dommages électriques attribuables aux fluctuations de courant.

Remboursement de location si la réparation du produit couvert prend plus de temps que promis.

25 % de réduction sur le prix courant de toute intervention de réparation non-couverte et pièces de rechange.

Dès que vous achetez le Contrat, il suffit d'un appel téléphonique pour obtenir un rendez-vous pour une intervention de dépannage ou d'entretien. Vous pouvez appeler à n'importe quelle heure du jour ou de la nuit ou prendre un rendez-vous de dépannage en ligne.

Le Contrat principal de protection constitue un investissement sans risque. Si vous annulez pour une quelconque raison pendant la période de garantie du produit, nous vous rembourserons intégralement. Ou nous vous verserons un remboursement au prorata après l'expiration de la période de garantie. Achetez votre Contrat principal de protection aujourd'hui même!

Certaines limitations et exclusions s'appliquent. Pour des prix et renseignements supplémentaires aux États-Unis, composer le 1-800-827-6655. *Au Canada, la couverture varie en fonction des articles. Pour des informations détaillées, appeler Sears Canada au 1-800-361-6665.

Service d'installation Sears

Pour l'installation professionnelle garantie par Sears d'appareils ménagers et d'articles tels que les ouvre-portes de garage, chauffe-eau, et autres gros appareils ménagers, aux É.-U. composer le **1-844-553-6667** ou au Canada composer le **1-800-469-4663**.

GARANTIE DES APPAREILS MÉNAGERS KENMORE

GARANTIE LIMITÉE KENMORE

PENDANT UN AN à compter de la date d'achat, cet appareil est garanti contre tout défaut de matériau ou de fabrication en cas d'installation, d'utilisation et d'entretien conformément aux instructions fournies.

SUR PREUVE DE VENTE, un appareil défectueux sera réparé ou remplacé gratuitement à la discrétion du vendeur.

Pour connaître les détails sur la couverture de la garantie afin d'obtenir un dépannage gratuit ou un remplacement, visiter la page Web suivante : www.kenmore.com/warranty

Si cet appareil ménager est utilisé à d'autres fins que pour un usage privé et domestique, la présente garantie ne s'applique que pendant 90 JOURS à partir de la date d'achat aux États-Unis, et est nulle au Canada.

La présente garantie couvre UNIQUEMENT les vices de matériaux et de fabrication et NE prendra PAS en charge :

1. Les pièces courantes pouvant s'user suite à une utilisation normale, notamment les filtres, courroies, sacs et les ampoules d'éclairage à culot à vis.
2. L'intervention d'un technicien de réparation pour nettoyer ou entretenir cet appareil, ou pour montrer à l'utilisateur comment installer, utiliser et entretenir correctement cet appareil.
3. Les interventions de dépannage pour rectifier l'installation de l'appareil non réalisée par des agents d'entretien autorisés de Sears, ou pour intervenir sur des problèmes concernant les fusibles du domicile, les disjoncteurs, et les systèmes de plomberie ou d'alimentation de gaz résultant de l'installation.
4. L'endommagement ou l'état défectueux de cet appareil imputable à l'installation non réalisée par des agents d'entretien autorisés de Sears, y compris une installation non conforme aux codes d'électricité, de gaz et de plomberie.
5. L'endommagement ou l'état défectueux de cet appareil, notamment une décoloration ou l'apparition de rouille sur la surface, dans le cas où l'utilisation ou l'entretien ne sont pas conformes à toutes les instructions fournies.
6. L'endommagement ou l'état défectueux de cet appareil, notamment une décoloration ou l'apparition de rouille sur la surface, résultant d'un accident, d'un usage impropre ou abusif ou d'une utilisation autre que celle à laquelle il est destiné.

7. L'endommagement ou l'état défectueux de cet appareil, notamment une décoloration ou l'apparition de rouille sur la surface, causé par l'utilisation de détergents, nettoyants, produits chimiques ou ustensiles autres que ceux recommandés dans toutes les instructions fournies avec le produit.

8. L'endommagement ou l'état défectueux de pièces ou systèmes résultant d'une modification non autorisée faite à cet appareil.

9. L'intervention sur l'appareil si la plaque signalétique indiquant le numéro de modèle et de série est manquante, a subi une modification, ou s'il est difficile de déterminer si l'appareil porte le logo de certification approprié.

CLAUDE D'EXONÉRATION DE RESPONSABILITÉ AU TITRE DES GARANTIES IMPLICITES; LIMITATION DES RECOURS

Le seul et exclusif recours du client dans le cadre de la présente garantie limitée consiste en la réparation ou le remplacement prévus ci-dessus. Les garanties implicites, y compris les garanties applicables de qualité marchande ou d'aptitude à un usage particulier, sont limitées à un an ou à la plus courte période autorisée par la loi. Le vendeur n'assume aucune responsabilité pour les dommages fortuits ou indirects. Certains États ou certaines provinces ne permettent pas l'exclusion ou la limitation des dommages fortuits ou indirects, ou la limitation de la durée des garanties implicites de qualité marchande ou d'aptitude à un usage particulier, de sorte que cette exclusion ou limitation peut ne pas être applicable dans votre cas.

Cette garantie s'applique seulement lorsque cet appareil ménager est utilisé aux États-Unis ou le Canada*.

Cette garantie vous confère des droits juridiques spécifiques et vous pouvez également jouir d'autres droits qui peuvent varier d'un État à l'autre.

* Le service de réparation à domicile n'est pas disponible dans toutes les régions du Canada; cette garantie ne couvrira pas non plus les frais de déplacement et de transport de l'utilisateur ou du dépanneur si ce produit se trouve dans une région éloignée (tel que défini par Sears Canada Inc.) où aucun dépanneur autorisé n'est disponible.

**Sears Brands Management Corporation
Hoffman Estates, IL 60179**

**Sears Canada, Inc.
Toronto, Ontario, Canada M5B 2C3**

NOTES

NOTES

Kenmore®

For Sears Home Services in-home repair
of all Kenmore major appliances.

For the replacement parts, accessories and
Use & Care Guides that you need to do-it-yourself.

For professional installation of major home appliances
and items like air conditioners and water heaters.

1-844-553-6667

www.kenmore.com

In Canada 1-800-469-4663

www.sears.ca

Call anytime for the location of your nearest
Sears Parts & Repair Service Center

1-800-488-1222 (U.S.A.)

1-800-469-4663 (Canada)

To purchase a protection agreement on a serviceable product:

1-800-827-6655 (U.S.A.)

1-800-361-6665 (Canada)

Para pedir servicio de reparación
a domicilio, y ordenar piezas:

1-888-SU-HOGAR®

(1-888-784-6427)

www.kenmore.com

Au Canada pour service en français:

1-800-LE-FOYER^{MC}

(1-800-533-6937)

www.sears.ca

