

**KitchenAid®**

---

**DUAL FUEL RANGE**  
**ARCHITECT® SERIES II**  
Use & Care Guide

For questions about features, operation/performance, parts, accessories or service, call: **1-800-422-1230**  
or visit our website at [www.kitchenaid.com](http://www.kitchenaid.com)  
In Canada, call for assistance, installation and service, call: **1-800-807-6777**  
or visit our website at [www.kitchenaid.ca](http://www.kitchenaid.ca)

---

**CUISINIÈRE À BI-COMBUSTIBLE**  
**ARCHITECT® SÉRIE II**  
Guide d'utilisation et d'entretien

Au Canada, pour assistance, installation ou service composez le **1-800-807-6777**  
ou visitez notre site web à [www.kitchenaid.ca](http://www.kitchenaid.ca)

---

Table of Contents/Table des matières..... 2



# TABLE OF CONTENTS

<b>RANGE SAFETY</b> .....	<b>3</b>
The Anti-Tip Bracket .....	4
<b>PARTS AND FEATURES</b> .....	<b>6</b>
<b>COOKTOP USE</b> .....	<b>7</b>
Cooktop Controls .....	7
TripleTier® Flame Burner with InstaWok™ Grate.....	9
Sealed Surface Burners .....	9
Cookware .....	10
Home Canning .....	10
<b>GLASS TOUCH-ACTIVATED ELECTRONIC OVEN CONTROL</b> .....	<b>11</b>
Electronic Control Pads .....	11
Oven Displays .....	11
Start .....	11
Control Lock.....	11
Off.....	11
Clock/Timer Display .....	11
Timer.....	11
<b>OPTIONS</b> .....	<b>12</b>
Options Selection Pad .....	12
Fahrenheit and Celsius - Option 1 .....	12
Tones - Options 2, 3, 4 .....	12
Dehydrate - Option 5 .....	12
Oven Temperature Calibration - Option 6 .....	12
Sabbath Mode - Option 7 .....	13
<b>OVEN USE</b> .....	<b>14</b>
Aluminum Foil.....	14
Bakeware.....	14
Meat Thermometer.....	14
Temperature Probe .....	14
Oven Vent.....	15
Positioning Racks and Bakeware .....	15
Bake.....	15
Broil .....	16
Convection Cooking.....	16
EasyConvect™ Conversion.....	17
Convection Bake.....	17
Convection Roast.....	17
Convection Broil.....	18
Proofing Bread .....	19
Timed/Delay Cooking.....	19
Warming Drawer .....	19
<b>RANGE CARE</b> .....	<b>20</b>
Self-Cleaning Cycle.....	20
General Cleaning.....	21
Oven Light(s) .....	22
Oven Door .....	22
Warming Drawer .....	23
<b>TROUBLESHOOTING</b> .....	<b>23</b>
<b>ASSISTANCE OR SERVICE</b> .....	<b>25</b>
In the U.S.A. ....	25
Accessories .....	25
In Canada .....	26
<b>WARRANTY</b> .....	<b>26</b>

# TABLE DES MATIÈRES

<b>SÉCURITÉ DE LA CUISINIÈRE</b> .....	<b>28</b>
La bride antibasculement.....	29
<b>PIÈCES ET CARACTÉRISTIQUES</b> .....	<b>31</b>
<b>UTILISATION DE LA TABLE DE CUISSON</b> .....	<b>32</b>
Commandes de la table de cuisson .....	32
Brûleur TripleTier® avec grille InstaWok™ .....	35
Brûleurs de surface scellés .....	35
Ustensiles de cuisson .....	36
Préparation de conserves à la maison.....	37
<b>COMMANDE ÉLECTRONIQUE TACTILE EN VERRE DU FOUR</b> .....	<b>37</b>
Touches de commande électroniques .....	37
Afficheurs du four .....	38
Start (mise en marche) .....	38
Control Lock (verrouillage des commandes).....	38
Off (arrêt).....	38
Affichage horloge/minuterie .....	38
Minuterie.....	38
<b>OPTIONS</b> .....	<b>38</b>
Touche de sélection des options.....	38
Fahrenheit et Celsius - Option 1 .....	38
Signaux sonores - Options 2, 3, 4 .....	39
Déshydrater - Option 5.....	39
Calibrage de la température du four - Option 6 .....	39
Mode Sabbath - Option 7 .....	40
<b>UTILISATION DU FOUR</b> .....	<b>41</b>
Papier d'aluminium.....	41
Ustensiles de cuisson au four .....	41
Thermomètre à viande .....	41
Sonde thermométrique .....	41
Évent du four .....	42
Positionnement des grilles et des ustensiles de cuisson .....	42
Cuisson au four .....	43
Cuisson au gril.....	43
Cuisson par convection .....	44
Conversion EasyConvect™ .....	44
Cuisson au four par convection .....	45
Rôtissage par convection .....	45
Cuisson au gril par convection.....	46
Levée du pain .....	47
Cuisson minutée/différée .....	47
Tiroir-réchaud .....	47
<b>ENTRETIEN DE LA CUISINIÈRE</b> .....	<b>48</b>
Programme d'autonettoyage .....	48
Nettoyage général .....	50
Lampe(s) du four .....	51
Porte du four.....	51
Tiroir-réchaud .....	51
<b>DÉPANNAGE</b> .....	<b>52</b>
<b>ASSISTANCE OU SERVICE</b> .....	<b>54</b>
Au Canada .....	54
<b>GARANTIE</b> .....	<b>55</b>

# RANGE SAFETY

## Your safety and the safety of others are very important.

We have provided many important safety messages in this manual and on your appliance. Always read and obey all safety messages.



This is the safety alert symbol.

This symbol alerts you to potential hazards that can kill or hurt you and others.

All safety messages will follow the safety alert symbol and either the word "DANGER" or "WARNING." These words mean:

**⚠ DANGER**

You can be killed or seriously injured if you don't immediately follow instructions.

**⚠ WARNING**

You can be killed or seriously injured if you don't follow instructions.

All safety messages will tell you what the potential hazard is, tell you how to reduce the chance of injury, and tell you what can happen if the instructions are not followed.

**WARNING: If the information in this manual is not followed exactly, a fire or explosion may result causing property damage, personal injury or death.**

- Do not store or use gasoline or other flammable vapors and liquids in the vicinity of this or any other appliance.
- **WHAT TO DO IF YOU SMELL GAS:**
  - Do not try to light any appliance.
  - Do not touch any electrical switch.
  - Do not use any phone in your building.
  - Immediately call your gas supplier from a neighbor's phone. Follow the gas supplier's instructions.
  - If you cannot reach your gas supplier, call the fire department.
- Installation and service must be performed by a qualified installer, service agency or the gas supplier.

**WARNING:** Gas leaks cannot always be detected by smell.

Gas suppliers recommend that you use a gas detector approved by UL or CSA.

For more information, contact your gas supplier.

If a gas leak is detected, follow the "What to do if you smell gas" instructions.

State of California Proposition 65 Warnings:

WARNING: This product contains one or more chemicals known to the State of California to cause cancer.

WARNING: This product contains one or more chemicals known to the State of California to cause birth defects or other reproductive harm.

## The Anti-Tip Bracket

The range will not tip during normal use. However, the range can tip if you apply too much force or weight to the open door without the anti-tip bracket fastened down properly.



### **⚠ WARNING**

#### Tip Over Hazard

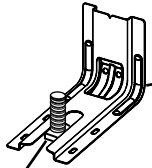
**A child or adult can tip the range and be killed.**

**Verify the anti-tip bracket has been properly installed and engaged per installation instructions.**

**Re-engage anti-tip bracket if range is moved.**

**Do not operate range without anti-tip bracket installed and engaged.**

**Failure to follow these instructions can result in death or serious burns to children and adults.**



Anti-Tip  
Bracket

Range Foot

**To verify the anti-tip bracket is installed and engaged:**

- Slide range forward.
- Look for the anti-tip bracket securely attached to floor or wall.
- Slide range back so rear range foot is under anti-tip bracket.
- See installation instructions for details.

# IMPORTANT SAFETY INSTRUCTIONS

**WARNING:** To reduce the risk of fire, electrical shock, injury to persons, or damage when using the range, follow basic precautions, including the following:

- **WARNING: TO REDUCE THE RISK OF TIPPING OF THE RANGE, THE RANGE MUST BE SECURED BY PROPERLY INSTALLED ANTI-TIP DEVICES. TO CHECK IF THE DEVICES ARE INSTALLED PROPERLY, SLIDE RANGE FORWARD, LOOK FOR ANTI-TIP BRACKET SECURELY ATTACHED TO FLOOR OR WALL, AND SLIDE RANGE BACK SO REAR RANGE FOOT IS UNDER ANTI-TIP BRACKET.**
- **WARNING:** NEVER use this appliance as a space heater to heat or warm the room. Doing so may result in carbon monoxide poisoning and overheating of the oven.
- **WARNING:** NEVER cover any slots, holes or passages in the oven bottom or cover an entire rack with materials such as aluminum foil. Doing so blocks air flow through the oven and may cause carbon monoxide poisoning. Aluminum foil linings may also trap heat, causing a fire hazard.
- **CAUTION:** Do not store items of interest to children in cabinets above a range or on the backguard of a range – children climbing on the range to reach items could be seriously injured.
- Do Not Leave Children Alone – Children should not be left alone or unattended in area where the range is in use. They should never be allowed to sit or stand on any part of the range.
- Wear Proper Apparel – Loose-fitting or hanging garments should never be worn while using the range.
- User Servicing – Do not repair or replace any part of the range unless specifically recommended in the manual. All other servicing should be referred to a qualified technician.
- Storage in or on the Range – Flammable materials should not be stored in an oven or near surface units.
- Do Not Use Water on Grease Fires – Smother fire or flame or use dry chemical or foam-type extinguisher.
- Use Only Dry Potholders – Moist or damp potholders on hot surfaces may result in burns from steam. Do not let potholder touch hot heating elements. Do not use a towel or other bulky cloth.
- DO NOT TOUCH SURFACE UNITS OR AREAS NEAR UNITS – Surface units may be hot even though they are dark in color. Areas near surface units may become hot enough to cause burns. During and after use, do not touch, or let clothing or other flammable materials contact surface units or areas near units until they have had sufficient time to cool. Among those areas are the cooktop and surfaces facing the cooktop.
- Never Leave Surface Units Unattended at High Heat Settings – Boilover causes smoking and greasy spillovers that may ignite.
- Glazed Cooking Utensils – Only certain types of glass, glass/ceramic, ceramic, earthenware, or other glazed utensils are suitable for range-top service without breaking due to the sudden change in temperature.
- Utensil Handles Should Be Turned Inward and Not Extend Over Adjacent Surface Units – To reduce the risk of burns, ignition of flammable materials, and spillage due to unintentional contact with the utensil, the handle of a utensil should be positioned so that it is turned inward, and does not extend over adjacent surface units.
- Clean Cooktop With Caution – If a wet sponge or cloth is used to wipe spills on a hot cooking area, be careful to avoid steam burn. Some cleaners can produce noxious fumes if applied to a hot surface.
- Use Care When Opening Door – Let hot air or steam escape before removing or replacing food.
- Do Not Heat Unopened Food Containers – Build-up of pressure may cause container to burst and result in injury.
- Keep Oven Vent Ducts Unobstructed.
- Placement of Oven Racks – Always place oven racks in desired location while oven is cool. If rack must be moved while oven is hot, do not let potholder contact hot heating element in oven.
- DO NOT TOUCH HEATING ELEMENTS OR INTERIOR SURFACES OF OVEN – Heating elements may be hot even though they are dark in color. Interior surfaces of an oven become hot enough to cause burns. During and after use, do not touch, or let clothing or other flammable materials contact heating elements or interior surfaces of oven until they have had sufficient time to cool. Other surfaces of the appliance may become hot enough to cause burns – among these surfaces are oven vent openings and surfaces near these openings, oven doors, and windows of oven doors.
- Proper Installation – The range, when installed, must be electrically grounded in accordance with local codes or, in the absence of local codes, with the *National Electrical Code, ANSI/NFPA 70*. In Canada, the range must be electrically grounded in accordance with Canadian Electrical Code. Be sure the range is properly installed and grounded by a qualified technician.
- Disconnect the electrical supply before servicing the appliance.
- Injuries may result from the misuse of appliance doors or drawers such as stepping, leaning, or sitting on the doors or drawers.
- Maintenance – Keep range area clear and free from combustible materials, gasoline, and other flammable vapors and liquids.
- Top burner flame size should be adjusted so it does not extend beyond the edge of the cooking utensil.

## For self-cleaning ranges –

- Do Not Clean Door Gasket – The door gasket is essential for a good seal. Care should be taken not to rub, damage, or move the gasket.
- Do Not Use Oven Cleaners – No commercial oven cleaner or oven liner protective coating of any kind should be used in or around any part of the oven.
- Clean Only Parts Listed in Manual.
- Before Self-Cleaning the Oven – Remove broiler pan and other utensils. Wipe off all excessive spillage before initiating the cleaning cycle.

## For units with ventilating hood –

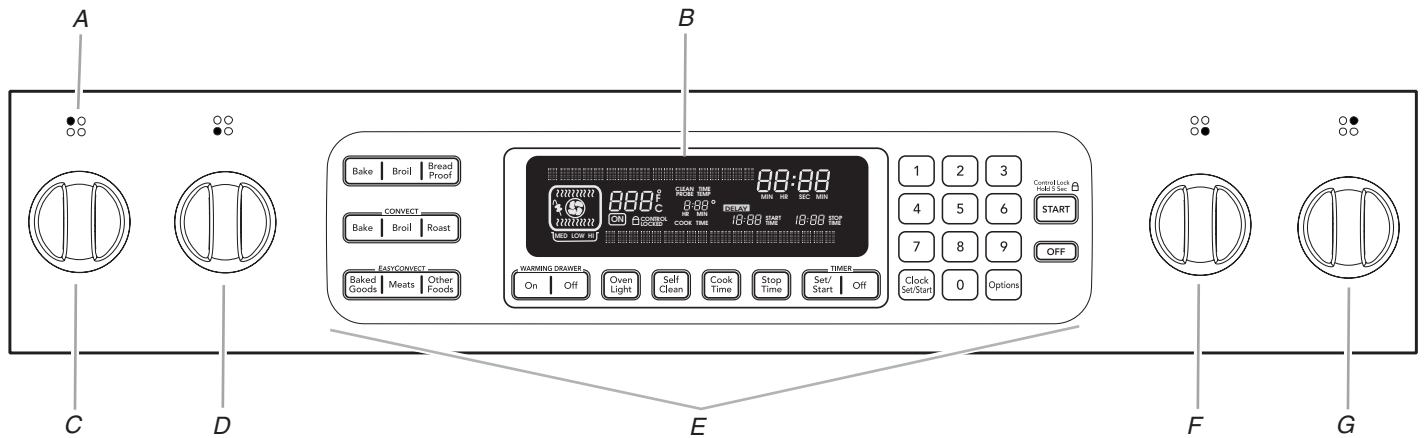
- Clean Ventilating Hoods Frequently – Grease should not be allowed to accumulate on hood or filter.
- When flambéing foods under the hood, turn the fan on.

**SAVE THESE INSTRUCTIONS**

# PARTS AND FEATURES

This manual covers several different models. The range you have purchased may have some or all of the items listed. The locations and appearances of the features shown here may not match those of your model.

## Control Panel

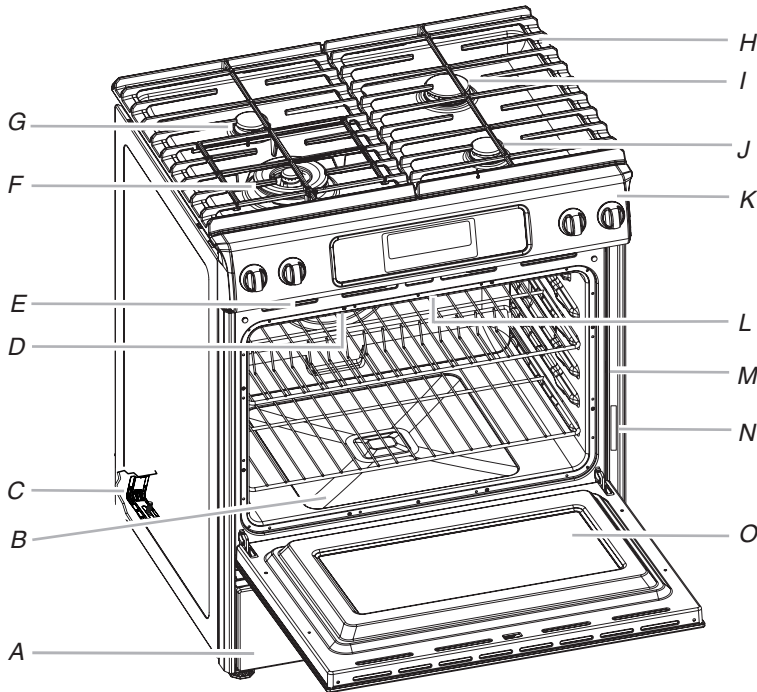


- A. Surface burner locator
- B. Oven display
- C. Left rear control knob (6000 Btu/h)

- D. Left front dual valve TripleTier® flame burner knob (15,000 Btu/h)
- E. Electronic oven control

- F. Right front control knob (6000 Btu/h)
- G. Right rear control knob (12,500 Btu/h)

## Range

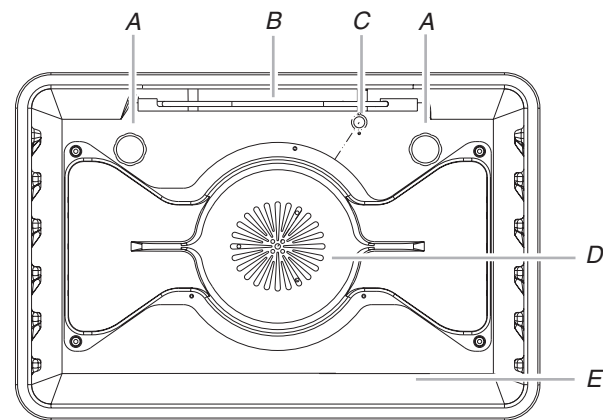


- A. Warming drawer
- B. CleanBake™ Element
- C. Anti-tip bracket
- D. Broil element (not shown)
- E. Oven vent
- F. Left front surface burner (dual valve TripleTier® flame burner with InstaWok™ Grate on some models)
- G. Left rear surface burner
- H. Standard grate
- I. Right rear surface burner

- J. Right front surface burner
- K. Control panel
- L. Automatic oven light switch/ self-clean latch
- M. Door gasket
- N. Model and serial number plate
- O. Oven door window

**Parts and Features not shown**  
 Broiler pan and grid  
 Temperature probe

## Oven Interior



- A. Oven lights
- B. Full and center broil elements
- C. Oven cavity sensor
- D. T.H.E.™ convection fan and element (not visible)
- E. CleanBake™ element (not visible)

# COOKTOP USE

## Cooktop Controls

### **! WARNING**



#### Fire Hazard

**Do not let the burner flame extend beyond the edge of the pan.**

**Turn off all controls when not cooking.**

**Failure to follow these instructions can result in death or fire.**

**IMPORTANT:** Your cooktop is factory-set for use with Natural gas. If you wish to use LP Gas, an LP Gas Conversion Kit is included with your new range. Models with the TripleTier® Flame Burner will include a TripleTier® Burner LP Gas Conversion Kit and a kit for standard ranges. See the Installation Instructions for details on making this conversion.

Electric igniters automatically light the surface burners when control knobs are turned to LITE.

Before setting a control knob, place filled cookware on the grate. Do not operate a burner while using empty cookware or without any cookware on the grate.

**NOTE:** Visually check that the burner has lit. If the burner does not ignite, listen for the clicking sound. If you do not hear the igniter click, turn the burner off. Check for a tripped circuit breaker or blown fuse.

Check that the control knob is pressed completely down on the valve shaft. If the spark igniter still does not operate, call a trained repair specialist.

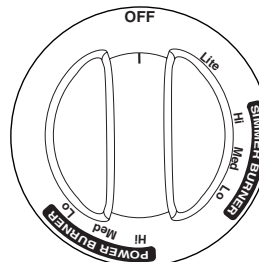
Proper grounding and polarity are necessary for correct operation of the electric ignition system. If the wall receptacle does not provide correct polarity, the igniters will become grounded and occasionally click, even after the burner has ignited. Contact a trained repair specialist to check the wall receptacle to see whether it is wired with the correct polarity.

**REMEMBER:** When range is in use or (on some models) during the Self-Cleaning cycle, the entire cooktop area may become hot.

#### Power failure

In case of prolonged power failure, the surface burners can be lit manually. Hold a lit match near a burner and turn knob counterclockwise to LITE. After burner lights, turn knob to setting.

### TripleTier® Burner with High Power Settings and Low Simmer Settings



**NOTE:** Settings are marked on the control knob.

The TripleTier® Flame Burner (15,000 Btu/h [British Thermal Units]) can provide the highest heat setting and 3 levels of simmer control. It is ideal for cooking large quantities of food or liquid and using large pots and pans.

#### High Power Settings

##### To Set:

1. Push in and turn knob counterclockwise to LITE.  
All surface burners will click. Only the simmer burner with the control knob turned to Lite will produce a flame.
2. Push in and turn knob counterclockwise to POWER BURNER HI. All 3 burner rings will produce a flame.
3. Turn knob to anywhere between POWER BURNER HI and POWER BURNER LO.

Use the following chart as a guide when setting Power Burner heat levels.

HIGH POWER SETTING	RECOMMENDED USE
HI	<ul style="list-style-type: none"><li>■ Start food cooking.</li><li>■ Bring liquid to a boil.</li><li>■ Wok cooking.</li></ul>
MED (Medium)	<ul style="list-style-type: none"><li>■ Maintain a slow boil.</li><li>■ Fry poultry or meat.</li><li>■ Cook pudding, sauce, icing or gravy.</li></ul>
LO	<ul style="list-style-type: none"><li>■ Fry or sauté foods.</li><li>■ Hold a slow boil.</li></ul>

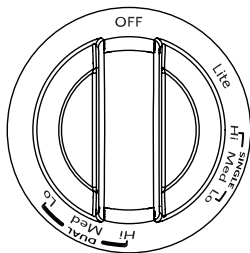
#### Simmer Settings

1. Push in and turn knob counterclockwise to LITE.  
All surface burners will click. Only the simmer burner with the control knob turned to Lite will produce a flame.
2. Push in and turn knob counterclockwise to anywhere between SIMMER BURNER HI and SIMMER BURNER LO.

Use the following chart as a guide when setting Simmer Burner heat levels.

SIMMER SETTINGS	RECOMMENDED USE
<b>LITE</b>	<ul style="list-style-type: none"> <li>Light the burner.</li> </ul>
<b>HI</b>	<ul style="list-style-type: none"> <li>Cooking thicker foods such as tomato sauce, chili.</li> <li>Stew or steam foods.</li> </ul>
<b>MED (Medium)</b>	<ul style="list-style-type: none"> <li>Cooking medium-density foods such as cream soups, sauces and gravy.</li> </ul>
<b>LO</b>	<ul style="list-style-type: none"> <li>Keep food warm.</li> <li>Simmer.</li> </ul>

**TripleTier® Burner with Dual Settings and Single Settings (Model KDSS907XSP)**



**NOTE:** Settings are marked on the control knob.

The TripleTier® Flame Burner (15,000 Btu/h [British Thermal Units]) can provide the highest heat setting and 3 levels of simmer control. It is ideal for cooking large quantities of food or liquid and using large pots and pans.

**High Power Settings**

**To Set:**

1. Push in and turn knob counterclockwise to LITE.  
All surface burners will click. Only the simmer burner with the control knob turned to Lite will produce a flame.
2. Push in and turn knob counterclockwise to DUAL HI. All 3 burner rings will produce a flame.
3. Turn knob to anywhere between DUAL HI and DUAL LO.

Use the following chart as a guide when setting Power Burner heat levels.

HIGH POWER SETTING	RECOMMENDED USE
<b>HI</b>	<ul style="list-style-type: none"> <li>Start food cooking.</li> <li>Bring liquid to a boil.</li> <li>Wok cooking.</li> </ul>
<b>MED (Medium)</b>	<ul style="list-style-type: none"> <li>Maintain a slow boil.</li> <li>Fry poultry or meat.</li> <li>Cook pudding, sauce, icing or gravy.</li> </ul>
<b>LO</b>	<ul style="list-style-type: none"> <li>Fry or sauté foods.</li> <li>Hold a slow boil.</li> </ul>

**Simmer Settings**

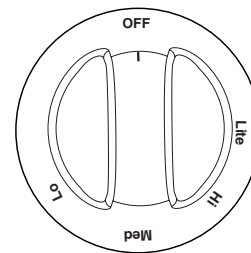
1. Push in and turn knob counterclockwise to LITE.  
All surface burners will click. Only the simmer burner with the control knob turned to Lite will produce a flame.

2. Push in and turn knob counterclockwise to anywhere between SINGLE HI and SINGLE LO.

Use the following chart as a guide when setting Simmer Burner heat levels.

SIMMER SETTINGS	RECOMMENDED USE
<b>LITE</b>	<ul style="list-style-type: none"> <li>Light the burner.</li> </ul>
<b>HI</b>	<ul style="list-style-type: none"> <li>Cooking thicker foods such as tomato sauce, chili.</li> <li>Stew or steam foods.</li> </ul>
<b>MED (Medium)</b>	<ul style="list-style-type: none"> <li>Cooking medium-density foods such as cream soups, sauces and gravy.</li> </ul>
<b>LO</b>	<ul style="list-style-type: none"> <li>Keep food warm.</li> <li>Simmer.</li> </ul>

**Medium and Small Burner Control**



**NOTE:** Settings are marked on the control knob.

All of the burner controls provide a range of cooking settings from HI to LO.

The medium burner (12,500 Btu/h) provides the high heat setting, and is ideal for cooking medium-sized quantities of food or liquid and using medium-sized pots and pans.

The small burners (6,000 Btu/h) are ideal for small quantities of food or liquid and using small pots and pans. The lower power allows more accurate simmer control at the lowest setting.

**To Set:**

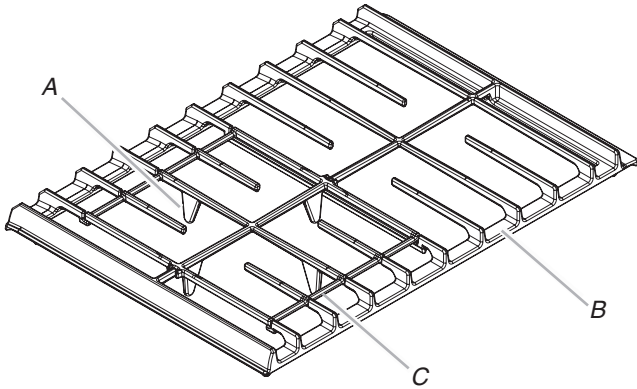
1. Push in and turn knob counterclockwise to LITE.  
All surface burners will click. Only the burner with the control knob turned to Lite will produce a flame.
2. Turn knob anywhere between HI and LO.

Use the following chart as a guide when setting heat levels.

SETTING	RECOMMENDED USE
<b>HI</b>	<ul style="list-style-type: none"> <li>Start food cooking.</li> <li>Bring liquid to a boil.</li> </ul>
<b>Medium High between MED and HI</b>	<ul style="list-style-type: none"> <li>Hold a rapid boil.</li> <li>Quickly brown or sear food.</li> </ul>
<b>MED (Medium)</b>	<ul style="list-style-type: none"> <li>Hold a slow boil.</li> <li>Fry poultry or meat.</li> </ul>
<b>Medium Low between MED and LO</b>	<ul style="list-style-type: none"> <li>Stew or steam food.</li> <li>Cook pudding, sauce, icing or gravy.</li> </ul>
<b>LO</b>	<ul style="list-style-type: none"> <li>Keep food warm.</li> <li>Simmer.</li> </ul>



## TripleTier® Flame Burner with InstaWok™ Grate



- A. Wok supports pointing down (for use with flat-bottomed cookware)
- B. Cooktop grate with InstaWok™ Grate insert (left side of range only)
- C. Reversible InstaWok™ Grate insert

The TripleTier® Flame Burner with InstaWok™ Grate is a multifunction burner that produces everything from a rapid boil down to a low simmer.

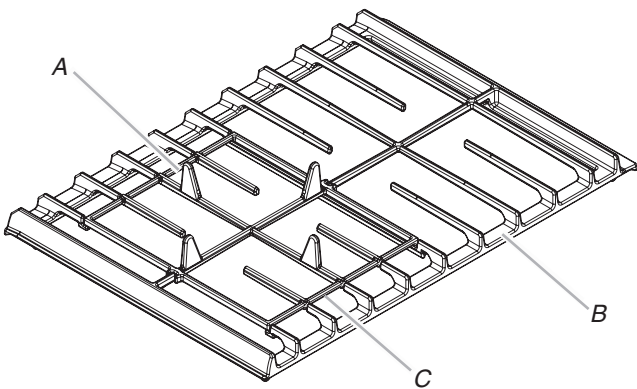
The TripleTier® Flame Burner with InstaWok™ Grate is functioned by a dual valve control knob, which controls 2 separate burners. See “TripleTier® Burner with High Power Settings and Low Simmer Settings” in the “Cooktop Controls” section.

The InstaWok™ Grate supports 12" to 14" (30.5 cm to 35.6 cm) Wok pans and can be flipped over to become a flat grate for use with flat-bottomed cookware.

**IMPORTANT:** The InstaWok™ Grate must be in place when you are using the TripleTier® Flame Burner.

### To Use the InstaWok™ Grate:

1. Check that the control knob is in the OFF position and the grate is completely cool before handling.
2. Remove grate from cooktop and flip the grate over so that the wok supports are pointing up.



- A. Wok supports pointing up
- B. Cooktop grate with InstaWok™ Grate Insert (left side of range only)
- C. Reversible InstaWok™ Grate insert

3. Place the wok grate within the supports.

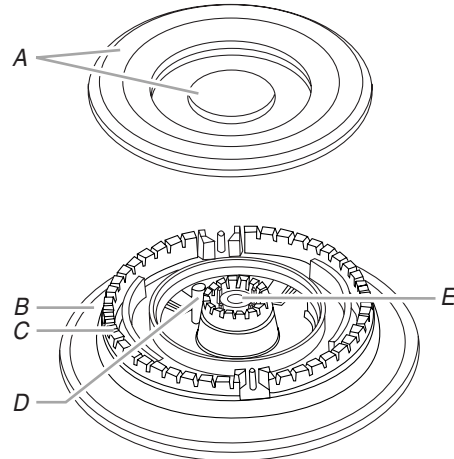
## Sealed Surface Burners

**IMPORTANT:** Do not obstruct the flow of combustion and ventilation air around the burner grate edges.

### Burner Cap Alignment

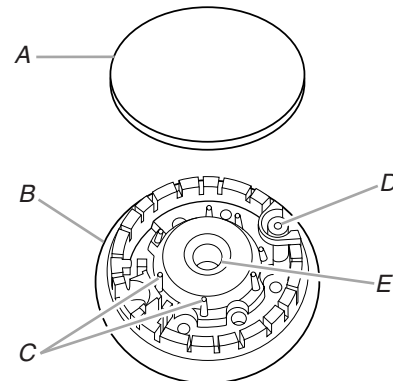
Always keep the burner cap properly fitted in place when using a surface burner. A clean burner cap will help avoid poor ignition and uneven flames. Always clean the burner cap after a spillover and routinely remove and clean the caps according to the “General Cleaning” section.

### TripleTier® Flame Burner



- A. TripleTier® flame burner caps
- B. Burner base
- C. Alignment pins
- D. Igniter
- E. Gas tube opening

### Standard Burner



- A. Burner cap
- B. Burner base
- C. Alignment pins
- D. Igniter
- E. Gas tube opening

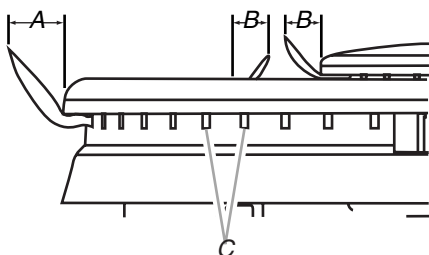
### Gas tube opening

Gas must flow freely throughout the gas tube opening for the burner to light properly. Keep this area free of soil and do not allow spills, food, cleaning agents or any other material to enter the gas tube opening. Avoid spillovers by always using a burner cap.

## Burner ports

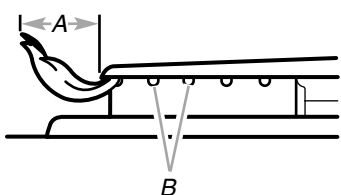
Check burner flames occasionally for proper size and shape as shown below. A good flame is blue in color, not yellow. Keep this area free of soil and do not allow spills, food, cleaning agents or any other material to enter the burner ports.

### TripleTier® Flame Burner



- A.  $\frac{3}{4}$ " (19.1 mm)
- B.  $\frac{3}{8}$ " (9.53 mm)
- C. Burner ports

### Standard Burner

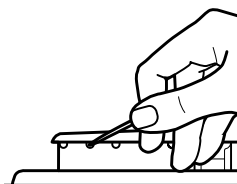


- A. 1-1½" (25-38 mm)
- B. Burner ports

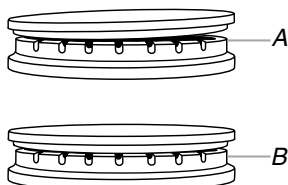
### To Clean:

**IMPORTANT:** Before cleaning, make sure all controls are off and the oven and cooktop are cool. Do not use oven cleaners, bleach or rust removers.

1. Remove the burner cap from the burner base and clean according to "General Cleaning" section.
2. Clean the gas tube opening with a damp cloth.
3. Clean clogged burner ports with a straight pin as shown. Do not enlarge or distort the port. Do not use a wooden toothpick. If the burner needs to be adjusted, contact a trained repair specialist.



4. Replace the burner cap, making sure the alignment pins on the cap are properly aligned with the burner base.



- A. Incorrect
- B. Correct

5. Turn on the burner. If the burner does not light, check cap alignment. If the burner still does not light, do not service the sealed burner yourself. Contact a trained repair specialist.

## Cookware

**IMPORTANT:** Do not leave empty cookware on a hot surface cooking area, element or surface burner.

Ideal cookware should have a flat bottom, straight sides and a well-fitting lid, and the material should be of medium-to-heavy thickness.

Rough finishes may scratch the cooktop or grates. Aluminum and copper may be used as a core or base in cookware. However, when used as a base they can leave permanent marks on the cooktop or grates.

Cookware material is a factor in how quickly and evenly heat is transferred, which affects cooking results. A nonstick finish has the same characteristics as its base material. For example, aluminum cookware with a nonstick finish will take on the properties of aluminum.

Cookware with nonstick surfaces should not be used under the broiler.

Use the following chart as a guide for cookware material characteristics.

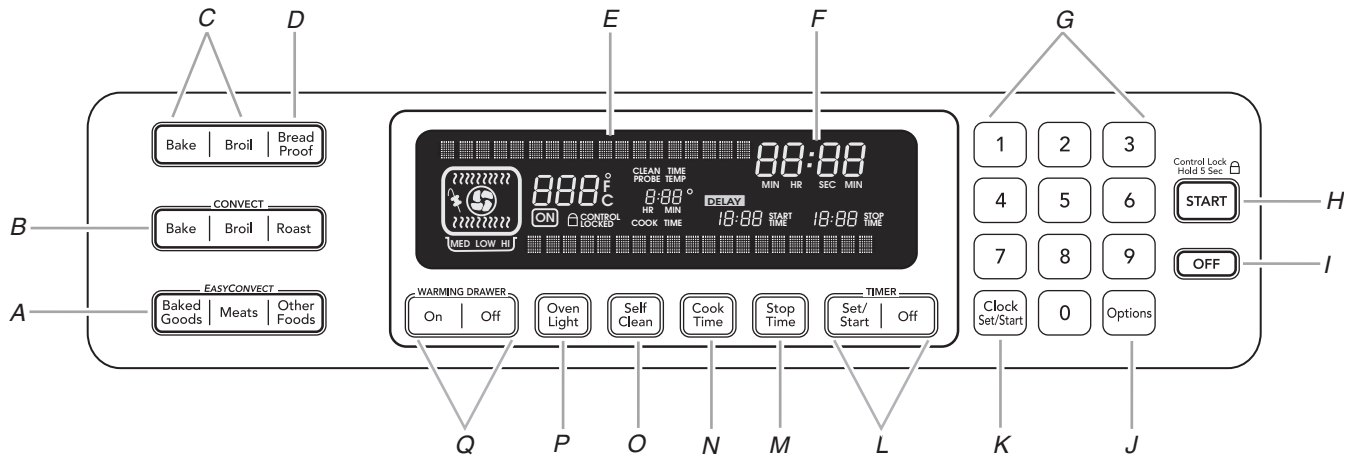
COOKWARE	CHARACTERISTICS
<b>Aluminum</b>	<ul style="list-style-type: none"> <li>■ Heats quickly and evenly.</li> <li>■ Suitable for all types of cooking.</li> <li>■ Medium or heavy thickness is best for most cooking tasks.</li> </ul>
<b>Cast iron</b>	<ul style="list-style-type: none"> <li>■ Heats slowly and evenly.</li> <li>■ Good for browning and frying.</li> <li>■ Maintains heat for slow cooking.</li> </ul>
<b>Ceramic or Ceramic glass</b>	<ul style="list-style-type: none"> <li>■ Follow manufacturer's instructions.</li> <li>■ Heats slowly, but unevenly.</li> <li>■ Ideal results on low to medium heat settings.</li> </ul>
<b>Copper</b>	<ul style="list-style-type: none"> <li>■ Heats very quickly and evenly.</li> </ul>
<b>Earthenware</b>	<ul style="list-style-type: none"> <li>■ Follow manufacturer's instructions.</li> <li>■ Use on low heat settings.</li> </ul>
<b>Porcelain enamel-on-steel or cast iron</b>	<ul style="list-style-type: none"> <li>■ See stainless steel or cast iron.</li> </ul>
<b>Stainless steel</b>	<ul style="list-style-type: none"> <li>■ Heats quickly, but unevenly.</li> <li>■ A core or base of aluminum or copper on stainless steel provides even heating.</li> </ul>

## Home Canning

When canning for long periods, alternate the use of surface burners between batches. This allows time for the most recently used areas to cool.

- Center the canner on the grate above the burner.
- Do not place canner on 2 surface burners at the same time.
- For more information, contact your local agricultural department. Companies that manufacture home canning products can also offer assistance.

# GLASS TOUCH-ACTIVATED ELECTRONIC OVEN CONTROL



A. EasyConvect™ conversion  
 B. Convection oven settings  
 C. Oven settings  
 D. Proof bread setting  
 E. Oven display  
 F. Clock/time of day display

G. Number pads  
 H. Start (control lock)  
 I. Off  
 J. Options selection pad  
 K. Clock set/start  
 L. Timer

M. Stop time  
 N. Cook time (length of cooking time)  
 O. Self-clean  
 P. Oven light (on/off)  
 Q. Warming drawer controls

## Electronic Control Pads

When pressing any control pad function on the Electronic Oven Control, use the pad of your finger to press the desired function. Hold down the pad a few seconds, or until the desired function appears in the display.

When entering multiple functions within one setting, pause briefly between each control pad command. If a command pad is pressed several times repeatedly, the pad may briefly stop working. Wait a few seconds, and the pad should function again as normal.

## Oven Displays

When the oven is in use, this display shows the oven temperature, heat source(s) and start time. During Timed Cooking, this display also shows a timed countdown and the stop time (if entered).

If “Err” appears on the display, an invalid pad was pressed. Press OFF and retry your entry. When the oven is not in use, this display is blank.

## Start

The START pad begins any oven function except the Timer, Control Lock and Sabbath Mode. If not pressed within 5 seconds after pressing a pad, “START?” will appear on the oven display as a reminder. If not pressed within 5 minutes after pressing a pad, the oven display will return to inactive mode (blank) and the programmed function will be canceled.

If a function has been started and a different function is selected, “START?” will appear in the display after 5 seconds. If the START pad is not pressed within 5 seconds, the oven display will return to the active/already started function.

## Control Lock

The Control Lock feature shuts down the control panel pads to avoid unintended use of the oven.

The Control Lock feature may be used either when the range is in use or turned off (for example, during cleaning).

The Control Lock is preset unlocked, but can be locked.

When the control is locked, only the TIMER SET/START, TIMER OFF and OVEN LIGHT pads will function.

**To Lock/Unlock Control:** Before locking, make sure the oven, the Timer and Timed Cooking are off. Press and hold the START pad for 5 seconds until “CONTROL LOCK” appears on the display. Repeat to unlock and remove “CONTROL LOCK” from the display.

## Off

The OFF pad stops any oven function except for the Warming Drawer, Clock, Timer and Control Lock.

## Clock/Timer Display

This is a 12-hour clock.

1. Press CLOCK SET/START.
2. Press number pads to set time of day.
3. Press CLOCK SET/START

## Timer

The Timer can be set in minutes and seconds or hours and minutes and counts down the set time.

**NOTE:** The Timer does not start or stop the oven.

1. Press TIMER SET/START.  
Press again to switch from MIN/SEC and HR/MIN.
2. Press the number pads to set length of time.

- Press **TIMER SET/START** to start the timer.  
When the set time ends, timer completion tones will sound, then reminder tones will sound approximately every 10 seconds.

- Press **TIMER OFF** anytime to cancel the Timer and/or stop reminder tones.  
If **OFF** is pressed, the oven will turn off.

The time can be reset during the countdown by repeating the above steps.

## OPTIONS

### Options Selection Pad

The **OPTIONS** selection pad allows you to access special functions within the Electronic Oven Control that allow you to customize the product to your needs. These special functions allow you to change the oven temperature between Fahrenheit and Celsius, turn the audible signals and prompts on and off, and adjust the oven calibration. The Dehydrate and Sabbath Mode are also set using the **OPTIONS** selection pad.

#### To Use:

Press **OPTIONS**. The oven display will scroll through the various options, starting at 1 and ending in 7. You can also press the **OPTIONS** selection pad and number pad to quickly enter the desired hidden function.

OPTIONS	SPECIAL FUNCTION
1	Fahrenheit and Celsius conversion
2	Tones On/Off
3	Tones High/Low
4	Cooking Time Completion Tones On/Off
5*	Dehydrate
6	Oven temperature calibration
7	Sabbath Mode

\*Available only on convection models.

### Fahrenheit and Celsius - Option 1

Fahrenheit is the default setting, but setting may be changed to Celsius.

**To Change:** Press **OPTIONS**, then 1 on the keypad for Celsius. To convert back to Fahrenheit, press **OPTIONS**, then 1 again on the keypad.

### Tones - Options 2, 3, 4

Tones are audible signals, indicating the following:

#### One beep

- Function has been entered

#### Three beeps

- Invalid pad press

#### Preheat Completion Tone

One chime indicates a preheat cycle has been completed.

#### Timer Completion Tones

Three chimes sound when the timer reaches zero. This can occur when using the timer for functions other than cooking.

#### Cooking Time Completion Tones

Three beeps indicate the end of a cooking cycle.

#### All Tones ON/OFF

All tones are preset to ON, but can be turned OFF.

**To change:** Press **OPTIONS**, then 2 to turn tones OFF. To turn tones ON, press **OPTIONS** again, and then 2.

#### Tone Volume High/Low

The volume is preset to HIGH, but can be changed to LOW.

**To change:** Press **OPTIONS**, then 3 for LOW. Press **OPTIONS**, then 3 again for HIGH.

#### Cooking Time Completion Tones ON/OFF

All tones are preset to ON, but can be turned OFF.

**To change:** Press **OPTIONS**, then 4 to turn tones OFF. To turn tones ON, press **OPTIONS** again, and then 4.

### Dehydrate - Option 5

(on convection models, closed door)

Dehydration is a method used to preserve food. Various factors, such as the quality of the fresh food, pretreatment techniques, the size and thickness of the food, and the climate may affect the finished product.

During dehydration, heat is used to force out moisture and air circulation is used to carry the moisture away.

Refer to a reliable book or source for complete information about dehydrating and preserving foods.

#### To Dehydrate:

Position the racks according to the following chart. See "Positioning Racks and Bakeware" section for diagram.

NUMBER OF RACKS	RACK POSITION(S)
1	3
2	2 and 4
3	1, 3 and 5

- Close the oven door.
- Press **OPTIONS** then 5.  
Press the number pads to enter a temperature other than 140°F (60°C). The dehydrating range can be set between 100°F and 200°F (38°C and 93°C).
- Press **START**.
- Press **OFF** when finished dehydrating.

**NOTE:** The oven will automatically turn off after 12 hours. However, some foods may take more than 12 hours to dehydrate. If this is the case, the oven will need to be restarted.

### Oven Temperature Calibration - Option 6

**IMPORTANT:** Do not use a thermometer to measure oven temperature because opening the oven door during cycling may give incorrect readings.

The oven provides accurate temperatures; however, it may cook faster or slower than your previous oven, so the temperature calibration can be adjusted. It can be changed in Fahrenheit or Celsius.

A minus sign means the oven will be cooler by the displayed amount. The absence of a minus sign means the oven will be warmer by the displayed amount.

Use the following chart as a guide.

ADJUSTMENT °F (AUTOMATIC °C CHANGE)	COOKS FOOD
10°F (5°C)	...a little more
20°F (10°C)	...moderately more
30°F (15°C)	...much more
-10°F (-5°C)	...a little less
-20°F (-10°C)	...moderately less
-30°F (-15°C)	...much less

#### To Adjust Oven Temperature Calibration:

1. Press OPTIONS, and then 6 to set the calibration.
2. Press 3 to increase the temperature, or press 6 to decrease the temperature.
3. Press START to end calibration.

### Sabbath Mode - Option 7

The Sabbath Mode sets the oven to remain on in a bake setting until turned off. A timed Sabbath Mode can also be set to keep the oven on for only part of the Sabbath.

When the Sabbath Mode is set, only the number and start pads will function, no tones will sound, and the displays will not show messages or temperature changes. The heat sources icons will appear lit on the oven display throughout the Sabbath Mode.

When the oven door is opened or closed, the oven light will not turn on or off and the heating elements will not turn on or off immediately.

If a power failure occurs when the Sabbath Mode is set, the oven will remain Sabbath Mode compliant but will no longer be actively cooking. The "ON" indicator will no longer be illuminated. Press OFF to return to normal operating mode (non-Sabbath Mode compliant, not cooking).

#### To Activate:

**IMPORTANT:** Before the Sabbath Mode can be regularly set, the oven must first be enabled with a one time only setup.

1. Open the oven door.
2. Press OFF.
3. Press the number pads 7, 8, 9, 6, in this order.
4. Press START to activate.  
"SABBATH ENABLED" will appear on the display.
5. Press OFF pad to clear the display.

#### To Deactivate:

The oven can be disabled of the ability to set the Sabbath Mode by repeating the steps in the previous "To Activate" section. When disabled, the Sabbath Mode cannot be regularly set until re-enabled.

#### To Regularly Set, Untimed:

1. Press BAKE.  
Press the number pads to enter a temperature other than 325°F (163°C). The bake range can be set between 170°F and 500°F (77°C and 260°C).
2. Press START. The oven will begin a bake cycle.
3. Press OPTIONS, and then press number pad 7.
4. "SABBATH MODE" will appear on the oven display.

#### To Regularly Set, Timed:

## WARNING

### Food Poisoning Hazard

**Do not let food sit in oven more than one hour before or after cooking.**

**Doing so can result in food poisoning or sickness.**

1. Press BAKE.  
Press the number pads to enter a temperature other than 325°F (163°C). The bake range can be set between 170°F and 500°F (77°C and 260°C).
2. Press COOK TIME.
3. Press the number pads to enter the length of Sabbath Mode time, up to 11 hours 59 minutes.
4. Press START. The oven will begin a timed bake cycle.  
The start time and stop time will appear on the display.
5. Press OPTIONS, and then press number pad 7. "SABBATH MODE" will appear on the display.
6. When the stop time is reached, the oven will automatically turn off. The oven control will remain Sabbath Mode compliant until the OFF button is pressed.

#### Temperature Change

The oven temperature can be changed when the oven(s) are in the Sabbath Mode. No tones will sound, and the display will not change. The heating elements will not turn on or off for a random time, anywhere from 16 to 24 seconds. It may take up to ½ hour for the oven to change temperature.

Number pads 1 through 0 represent temperatures. Use the following chart as a guide.

NUMBER PAD	OVEN TEMPERATURE
1	170°F (77°C)
2	200°F (95°C)
3	225°F (107°C)
4	250°F (120°C)
5	300°F (149°C)
6	325°F (163°C)
7	350°F (177°C)
8	375°F (191°C)
9	400°F (204°C)
0	450°F (232°C)

#### To Change Temperature:

1. Press the number pad from the chart.
2. Press START.

#### Warming Drawer Operation During Sabbath Mode

The warming drawer may be set for use during Sabbath Mode. This is accomplished by pressing the WARMING DRAWER ON key (continue pressing until desired temperature level is displayed) before the oven is placed into its Sabbath Mode compliant state. See "To Regularly Set, Untimed" in this section for instructions on placing the oven into its Sabbath Mode compliant state. Once the oven is in its Sabbath Mode compliant state, the warming drawer cannot be turned on or off and its temperature cannot be changed until the oven is returned to its normal operating state (non-Sabbath Mode compliant state, not cooking) by pressing the OFF key.

# OVEN USE

Odors and smoke are normal when the oven is used the first few times, or when it is heavily soiled.

**IMPORTANT:** The health of some birds is extremely sensitive to the fumes given off. Exposure to the fumes may result in death to certain birds. Always move birds to another closed and well-ventilated room.

**NOTE:** This oven automatically adjusts for 208V operation without affecting cooking performance. Preheat times may be longer.

## Aluminum Foil

**IMPORTANT:** To avoid permanent damage to the oven bottom finish, do not line the oven bottom with any type of foil or liner.

- For best cooking results, do not cover entire rack with foil because air must be able to move freely.
- To catch spills, place foil on rack below dish. Make sure foil is at least ½" (1.3 cm) larger than the dish and that it is turned up at the edges.

## Bakeware

The bakeware material affects cooking results. Follow manufacturer's recommendations and use the bakeware size recommended in the recipe. Use the following chart as a guide.

BAKEWARE/ RESULTS	RECOMMENDATIONS
<b>Light colored aluminum</b> <ul style="list-style-type: none"> <li>■ Light golden crusts</li> <li>■ Even browning</li> </ul>	<ul style="list-style-type: none"> <li>■ Use temperature and time recommended in recipe.</li> </ul>
<b>Dark aluminum and other bakeware with dark, dull and/or nonstick finish</b> <ul style="list-style-type: none"> <li>■ Brown, crisp crusts</li> </ul>	<ul style="list-style-type: none"> <li>■ May need to reduce baking temperatures slightly.</li> <li>■ Use suggested baking time.</li> <li>■ For pies, breads and casseroles, use temperature recommended in recipe.</li> <li>■ Place rack in center of oven.</li> </ul>
<b>Insulated cookie sheets or baking pans</b> <ul style="list-style-type: none"> <li>■ Little or no bottom browning</li> </ul>	<ul style="list-style-type: none"> <li>■ Place in the bottom third of oven.</li> <li>■ May need to increase baking time.</li> </ul>
<b>Stainless steel</b> <ul style="list-style-type: none"> <li>■ Light, golden crusts</li> <li>■ Uneven browning</li> </ul>	<ul style="list-style-type: none"> <li>■ May need to increase baking time.</li> </ul>
<b>Stoneware/Baking stone</b> <ul style="list-style-type: none"> <li>■ Crisp crusts</li> </ul>	<ul style="list-style-type: none"> <li>■ Follow manufacturer's instructions.</li> </ul>
<b>Ovenproof glassware, ceramic glass or ceramic</b> <ul style="list-style-type: none"> <li>■ Brown, crisp crusts</li> </ul>	<ul style="list-style-type: none"> <li>■ May need to reduce baking temperatures slightly.</li> </ul>

## Meat Thermometer

On models without a temperature probe, use a meat thermometer to determine whether meat, poultry and fish, are cooked to the desired degree of doneness. The internal temperature, not appearance, should be used to determine doneness. A meat thermometer is not supplied with this appliance. Follow manufacturer's directions for using a meat thermometer.

## Temperature Probe (on convection models)

### ⚠ WARNING



#### Burn Hazard

**Use an oven mitt to remove temperature probe.**

**Do not touch broil element.**

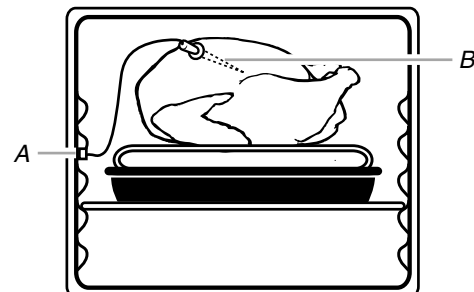
**Failure to follow these instructions can result in burns.**

The temperature probe accurately measures the internal temperature of meat, poultry and casseroles with liquid and should be used in determining the doneness of meat and poultry. It should not be used during full and center broiling, convection broiling, dehydrating or proofing bread.

Always unplug and remove the temperature probe from the oven when removing food.

#### To Use:

Before using, insert the probe into the center of the thickest portion of meat or into the inner thigh or breast of poultry, away from fat or bone at an angle as shown in following diagram. Place food in oven and connect the temperature probe to the jack. Keep probe as far away from heat source as possible. Close oven door.



A. Temperature probe jack  
B. Temperature probe

1. Press the number pads to enter a probe temperature. The probe temperature can be set between 130°F and 190°F (54°C and 88°C).
2. Press **BAKE**, **CONVECT BAKE** or **CONVECT ROAST**. Press number pads to enter a temperature other than the one displayed.



3. Press START.

The set oven temperature will appear on the oven display throughout cooking.

“Lo” will appear as the probe temperature until the internal temperature of the food reaches 130°F (54°C) or if the probe is unplugged. Then the display will show the temperature increasing in 1°F increments.

When the set probe temperature is reached, the oven will shut off automatically and “Cooking Complete” will appear on the oven display.

If enabled, end-of-cycle tones will sound.

4. Press OFF or open the oven door to clear the display.

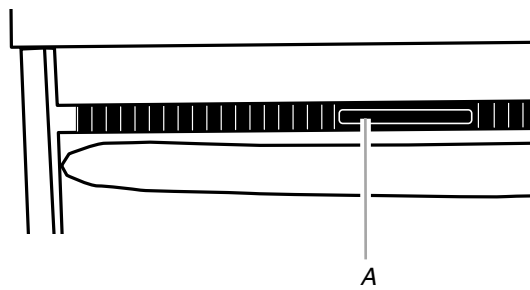
**To Change Probe Temperature, Oven Setting:**

Press OFF, then repeat previous steps.

After cooking, unplug the probe and remove food from oven. The probe symbol will remain lit until the probe is unplugged from the probe jack.

See “General Cleaning” section to clean probe.

**Oven Vent**



A. Oven vent

The oven vent should not be blocked or covered since it allows the release of hot air and moisture from the oven. Blocking or covering the vent will cause poor air circulation, affecting cooking and cleaning results. Do not set plastics, paper or other items that could melt or burn near the oven vent.

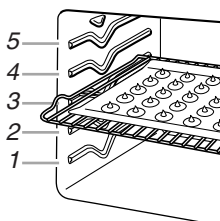
**Positioning Racks and Bakeware**

**IMPORTANT:** To avoid permanent damage to the porcelain finish, do not place food or bakeware directly on the oven door or bottom.

**RACKS**

- Position racks before turning on the oven.
- Do not position racks with bakeware on them.
- Make sure racks are level.

To move a rack, pull it out to the stop position, raise the front edge, then lift out. Use the following illustration and charts as a guide.



**Traditional Cooking**

FOOD	RACK POSITION*
Large roasts, turkeys, angel food, bundt cakes, quick breads, pies	1 or 2
Yeast breads, casseroles, meat and poultry	2
Cookies, biscuits, muffins, cakes	2 or 3

\*On models with the CleanBake™ feature, foods may be placed on a lower rack position.

**Convection Cooking**

OVEN SETTING	NUMBER OF RACKS USED	RACK POSITION(S)
Convection Bake	1	1, 2 or 3
Convection Bake	2	1 or 2 and 4
Convection Bake	3	1, 3 and 5
Convection Roast	1	1, 2 or 3
Convection Broil	1	3 or 4

**BAKEWARE**

To cook food evenly, hot air must be able to circulate. For traditional cooking, allow 2" (5 cm) of space around bakeware and oven walls. For convection cooking, allow 1" (2.5 cm) of space around bakeware and oven walls. Use the following chart as a guide.

NUMBER OF PAN(S)	POSITION ON RACK
1	Center of rack.
2	Side by side or slightly staggered.
3 or 4	Placement that gives best result. Make sure that no bakeware piece is directly over another.

**Bake**

The BAKE function is ideal for baking, roasting or heating foods. During baking or roasting, the bake and broil elements will cycle on and off in intervals to maintain oven temperature.

If the oven door is opened during baking or roasting, the broil element will turn off immediately and the bake element will turn off in 30 seconds to 2 minutes. They will come back on once the door is closed.

**To Bake or Roast:**

Before baking and roasting, position racks according to the “Positioning Racks and Bakeware” section.

For baking, allow the range to preheat before placing food in the oven. When roasting, it is not necessary to wait for the oven to preheat before putting food in, unless recommended in the recipe.

1. Press BAKE once for 350°F (177°C), or press the number pads to enter the desired temperature.
2. Press START.  
“Preheating” will show in the display until the set temperature is reached.  
“Lo” will also appear in the display if the actual oven temperature is under 170°F (77°C).

When the actual oven temperature reaches 170°F (77°C), the oven display will show the oven temperature increasing in 1-degree increments.

When the set temperature is reached, if on, 1 tone will sound.

3. Press OFF when finished cooking.

## Broil

Broiling uses direct radiant heat to cook food. There are 2 broiling choices, Full Broil and Center Broil. Full Broil uses both top elements for maximum browning coverage of foods. Center Broil uses the inner element for browning coverage of a smaller area.

- For best results, use a broiler pan and grid. It is designed to drain juices and help avoid spatter and smoke.  
If you would like to purchase a broiler pan, one may be ordered. See "Assistance or Service" section to order.
- For proper draining, do not cover the grid with foil. The bottom of the pan may be lined with aluminum foil for easier cleaning.
- Trim excess fat to reduce spattering. Slit the remaining fat on the edges to avoid curling.
- Pull out oven rack to stop position before turning or removing food. Use tongs to turn food to avoid the loss of juices. Very thin cuts of fish, poultry or meat may not need to be turned.
- After broiling, remove the pan from the oven when removing the food. Drippings will bake on the pan if left in the heated oven, making cleaning more difficult.
- If the oven door is opened during broiling, the broil element will turn off immediately and come back on once the door is closed.

Before broiling, position rack according to the Broiling Chart. It is not necessary to preheat the oven before putting food in unless recommended in the recipe. Position food on grid in the broiler pan, then place it in the center of the oven rack.

Close the door to ensure proper broiling operation.

### To Broil:

1. Press BROIL once for FULL BROIL or twice for CENTER BROIL.  
Choose Full Broil when broiling larger amounts of food with both broil elements. Choose Center Broil when broiling smaller amounts of food with only the inner broil element.
2. Press START.
3. Press OFF when finished.

### Variable Temperature Broiling

Changing the temperature when Variable Temperature Broiling allows more precise control when cooking. The lower the temperature, the slower the cooking. Thicker cuts and unevenly shaped pieces of meat, fish and poultry may cook better at lower broiling temperatures.

### To Use:

1. Close oven door.
2. Press BROIL once for FULL BROIL or twice for CENTER BROIL.
3. Press the number pads to set a temperature between 300°F and 500°F (149°C to 260°C).
4. Press START.  
The temperature can be changed after this step. Press the number pads to reset the temperature, then press START.
5. Press OFF when finished.

## BROILING CHART

For best results, place food 3" (7 cm) or more from the broil element. Times are guidelines only and may need to be adjusted for individual tastes. Recommended rack positions are numbered from the bottom (1) to the top (4). For diagram, see the "Positioning Racks and Bakeware" section.

FOOD	RACK POSITION	TEMP.	TOTAL TIME MIN.
<b>Steak</b>			
1" (2.5 cm) thick			
medium rare	4	500°F	14
medium	4	(260°C)	16
well-done	4		18
<b>Steak</b>			
1½" (3.8 cm) thick			
rare	4	500°F	23
medium	4	(260°C)	28
<b>Ground meat patties*</b>			
1" (2.5 cm) thick		500°F	
well-done	4	(260°C)	16-18
<b>Pork chops</b>			
1" (2.5 cm) thick	4	450°F	25-28
		(232°C)	
<b>Ham slice [precooked]</b>			
½" (1.25 cm) thick	4	500°F	10-12
1" (2.5 cm) thick	4	(260°C)	20-22
<b>Frankfurters</b>			
	4	500°F	8
		(260°C)	
<b>Lamb chops</b>			
1" (2.5 cm) thick	4	400°F	18-20
		(204°C)	
<b>Chicken</b>			
bone-in pieces	3	500°F	32
		(260°C)	
<b>Fish</b>			
½" (1.25 cm) thick	3	350°F	20
1" (2.5 cm) thick	3	(177°C)	20-22

\*Place up to 9 patties, equally spaced, on broiler grid.

## Convection Cooking (on some models)

In a convection oven, the fan-circulated hot air continually distributes heat more evenly than the natural movement of air in a standard thermal oven. This movement of hot air helps maintain a consistent temperature throughout the oven, cooking foods more evenly, crisping surfaces while sealing in moisture and yielding crustier breads.


Most foods can be cooked by lowering cooking temperatures 25°F to 50°F (14°C to 28°C), and cooking time can be shortened by as much as 30 percent, especially for large turkeys and roasts.

- It is important not to cover foods with lids or aluminum foil so that surface areas remain exposed to the circulating air, allowing browning and crisping.
- Keep heat loss to a minimum by opening the oven door only when necessary.
- Choose cookie sheets without sides and roasting pans with lower sides to allow air to move freely around the food.



- Test baked goods for doneness a few minutes before the minimum cooking time with a method such as using a toothpick.

**⚠ WARNING**



**Burn Hazard**

**Use an oven mitt to remove temperature probe.**

**Do not touch broil element.**

**Failure to follow these instructions can result in burns.**

- Use a meat thermometer or the temperature probe (on some models) to determine the doneness of meats and poultry.

## EasyConvect™ Conversion (on some models)

Convection cooking temperatures and times can differ from those of standard cooking. Depending upon the selected category, EasyConvect™ conversion automatically may reduce the standard recipe temperature and/or time you input for convection cooking.

Foods are grouped into 3 general categories. Choose the category most appropriate for the food to be cooked. To ensure optimal cooking results, the oven will prompt a food check at the end of a non-delayed cook time. Use the following chart as a guide.

SETTING	FOODS
<b>MEATS</b>	<b>Baked potatoes, Chicken:</b> whole and pieces <b>Meat loaf, Roasts:</b> pork, beef and ham (Turkey and large poultry are not included because their cook time varies.)
<b>BAKED GOODS</b>	<b>Biscuits, Breads:</b> quick and yeast <b>Cakes and Cookies</b> <b>Casseroles:</b> including frozen entrées and soufflés <b>Fish</b>
<b>OTHER FOODS</b>	<b>Convenience foods:</b> french fries, nuggets, fish sticks, pizza <b>Pies:</b> fruit and custard

### To Use:

When using convection temperature conversion for BAKED GOODS and OTHER FOODS, allow the oven to preheat before placing food in the oven.

1. Press MEATS, BAKED GOODS or OTHER FOODS.
2. Press number pads to enter standard cook temperature.
3. Press number pads to enter standard cook time.
4. Press START.  
“CHECK FOOD AT” and the stop time will appear on the oven display, after preheating is complete.  
When the stop time is reached, end-of-cycle tones will sound if enabled. Open the door and check food.
5. Press OFF when finished cooking.

## Convection Bake

(on some models)

Convection Bake can be used to bake and cook foods on single or multiple racks. It is helpful to stagger items on the racks to allow a more even flow of heat. If the oven is full, extra cooking time may be needed.

When cooking an oven meal with several different types of foods, be sure to select recipes that require similar temperatures. Cookware should sit in the oven with at least 1" (2.5 cm) of space between the cookware and the sides of the oven.

Allow the range to preheat before placing food in the oven.

During convection baking preheat, the broil elements and the bake element all heat the oven cavity. After preheat, the convection element will cycle on and off in intervals to maintain oven temperature, while the fan constantly circulates the hot air.

If the oven door is opened during convection baking or preheating, the convection element and fan will turn off immediately. They will come back on once the door is closed.

- Reduce recipe temperature 25°F (14°C). The cook time may need to be reduced also.

### To Convection Bake:

Before convection baking, position racks according to the “Positioning Racks and Bakeware” section.

1. Press CONVECT BAKE.  
Press the number pads to enter a temperature other than 325°F (163°C). The convection bake range can be set between 170°F and 500°F (77°C and 260°C).
2. Press START.  
“Preheating” will show in the display until the set temperature is reached.  
“Lo” will also appear in the display if the actual oven temperature is under 170°F (77°C).  
When the actual oven temperature reaches 170°F (77°C), the oven display will show the oven temperature increasing in 1-degree increments.  
When the set temperature is reached, if on, 1 tone will sound.
3. Press OFF when finished cooking.

## Convection Roast

(on some models)

Convection Roast can be used to roast meat and poultry, and bake foods, such as yeast breads, pies, loaf, bundt and tube cakes on a single rack. During convection roasting, the bake and broil elements will cycle on and off in intervals to maintain oven temperature, while the fan constantly circulates the hot air.

If the oven door is opened during convection roasting, the broil element and convection fan will turn off immediately and the bake element will turn off within 2 minutes. They will come back on once the door is closed.

- Reduce recipe temperature 25°F (14°C). The cook time may need to be reduced also.

### To Convection Roast:

Before convection roasting, position racks according to the “Positioning Racks and Bakeware” section. It is not necessary to wait for the oven to preheat before putting food in, unless recommended in the recipe.

Use the roasting rack on top of the broiler pan and grid. This holds the food above the grid and allows air to circulate completely around all surfaces.

If you would like to purchase a Broiler Pan Kit, one may be ordered. See “Assistance or Service” section to order.

**1. Press CONVECT ROAST.**

Press the number pads to enter a temperature other than 325°F (162°C). The convection roast range can be set between 170°F and 500°F (77°C and 260°C).

**2. Press START.**

“Preheating” will show in the display until the set temperature is reached.

“Lo” will also appear in the display if the actual oven temperature is under 170°F (77°C).

When the actual oven temperature reaches 170°F (77°C), the oven display will show the oven temperature increasing in 1-degree increments.

When the set temperature is reached, if on, 1 tone will sound.

**3. Press OFF when finished cooking.**

**CONVECTION ROASTING CHART**

FOOD/RACK POSITION	COOK TIME (min. per 1 lb [454 g])	OVEN TEMP.	INTERNAL FOOD TEMP.
<b>Beef, Rack Position 2</b>			
<b>Rib Roast</b>			
rare	20-25	300°F (149°C)	140°F (60°C)
medium	25-30		160°F (71°C)
well-done	30-35		170°F (77°C)
<b>Rib Roast (boneless)</b>			
rare	22-25	300°F (149°C)	140°F (60°C)
medium	27-30		160°F (71°C)
well-done	32-35		170°F (77°C)
<b>Rump, Sirloin Tip Roast</b>			
rare	20-25	300°F (149°C)	140°F (60°C)
medium	25-30		160°F (71°C)
well-done	30-35		170°F (77°C)
<b>Meat Loaf</b>	20-25	325°F (163°C)	165°F (74°C)
<b>Veal, Rack Position 2</b>			
<b>Loin, Rib, Rump Roast</b>			
medium	25-35	325°F (163°C)	160°F (71°C)
well-done	30-40		170°F (77°C)
<b>Pork, Rack Position 2</b>			
<b>Loin Roast (boneless)</b>	30-40	325°F (163°C)	160°F-170°F (71°C-77°C)
<b>Shoulder Roast</b>	35-40		160°F-170°F (71°C-77°C)
<b>Ham, Rack Position 2</b>			
<b>Fresh (uncooked)</b>	25-35	300°F (149°C)	160°F (71°C)
<b>Fully Cooked</b>	15-20		160°F (71°C)

FOOD/RACK POSITION	COOK TIME (min. per 1 lb [454 g])	OVEN TEMP.	INTERNAL FOOD TEMP.
<b>Lamb, Rack Position 2</b>			
<b>Leg, Shoulder Roast</b>			
medium	25-30	300°F (149°C)	160°F (71°C)
well-done	30-35		170°F (77°C)
<b>Chicken*, Rack Position 2</b>			
<b>Whole</b>			
3-5 lbs (1.5-2.2 kg)	20-25	325°F (163°C)	180°F (82°C)
5-7 lbs (2.2-3.1 kg)	15-20		180°F (82°C)
<b>Turkey*, Rack Positions 1 or 2</b>			
13 lbs and under (5.85 kg)	10-15	300°F (149°C)	180°F (82°C)
Over 13 lbs (5.85 kg)	10-12		180°F (82°C)
<b>Cornish Game Hens*, Rack Position 2 or 3</b>			
1-1.5 lbs (0.5-0.7 kg)	50-60	325°F (163°C)	180°F (82°C)

\*Do not stuff poultry when convection roasting.

**Convection Broil**  
(on some models)

Convection Broil is ideal for cooking foods such as thinner cuts of meat; filets of fish; boneless, skinless chicken; vegetables and garlic bread.

During convection broiling, the broil elements will cycle on and off in intervals to maintain oven temperature, while the fan constantly circulates the hot air. The circulating air creates a seal on all sides of the food so that turning of foods is often not necessary.

The temperature is preset at 450°F (232°C), but can be changed to a different temperature. Cooking times will vary depending on the rack position and temperature and may need to be adjusted.

If the oven door is opened during convection broiling, the broil elements and fan will turn off after 30 seconds. They will come back on once the door is closed.

**To Convection Broil:**

Before convection broiling, see “Broil” section for general broiling guidelines. Position rack.

Allow the oven to preheat for 5 minutes. Position food on the unheated grid on the broiler pan, then place it in the center of the oven rack with the longest side parallel to the door.

Close the door.

**1. Press CONVECT BROIL.**

Press the number pads to enter a temperature other than 500°F (260°C). The convection broil range can be set between 300°F and 500°F (149°C and 260°C).

**2. Press START.**

The set oven temperature will appear on the oven display until oven is turned off.

**3. Press OFF when finished cooking.**

## Proofing Bread

(on some models)

Proofing bread prepares the dough for baking by activating the yeast. Follow the recipe directions as a guide.

### To Proof:

Before first proofing, place the dough in a lightly greased bowl and cover loosely with wax paper, coated with shortening. Place on rack guide 2 and close the oven door.

1. Press BREAD PROOF. The display will show 100°F (38°C).
2. Press START.

Let the dough rise until nearly doubled in size, checking after 20-25 minutes. Proofing time may vary depending on dough type and quantity.

3. Press OFF when finished proofing.

Before second proofing, shape the dough, place it in baking pan(s) and cover loosely with plastic wrap, coated with cooking spray. Follow the same placement and control steps above.

Before baking, remove the plastic wrap.

## Timed/Delay Cooking

### WARNING

#### Food Poisoning Hazard

**Do not let food sit in oven more than one hour before or after cooking.**

**Doing so can result in food poisoning or sickness.**

Timed Cooking allows the oven(s) to cook for a set length of time. Delay Cooking allows the oven(s) to be set to turn on at a certain time of day. Delay start should not be used for food such as breads and cakes because they may not bake properly.

Timed Cooking is available on most cycles including: Bake, Convection Bake, Convection Roast, EasyConvection™ Conversion, Bread Proof, and Keep Warm.

Delay Cooking is available on the Bake, Convection Bake, and Convection Roast cycles.

### To Set a Cook Time:

1. Press BAKE, CONVECT BAKE, CONVECT ROAST, BROIL, CONVECT BROIL, or BREAD PROOF.

Press the number pads to enter a temperature other than the one displayed.

2. Press COOK TIME.
3. Press number pads to enter the length of time to cook.
4. Press START.

On some models, the start time, stop time and cook time countdown will appear on the oven display.

When the stop time is reached, the oven will shut off automatically, and end-of-cycle tones will sound.

### To Set a Delay Cooking Time:

Before setting, make sure the clock is set to the correct time of day. See "Clock/Timer Display" section.

1. Press BAKE, CONVECT BAKE or CONVECT ROAST.  
Press the number pads to enter a temperature other than the one displayed.
2. Press COOK TIME.
3. Press number pads to enter the length of time to cook.
4. Press STOP TIME.
5. Press the number pads to enter time of day to stop.
6. Press START.

The start time is automatically calculated and displayed.

"DELAY" and the stop time will also appear on the oven display.

When the start time is reached, the oven will automatically turn on. The cook time countdown will appear on the oven display.

On some models, the set temperature and minute time countdown will appear on the oven display.

When the stop time is reached, the oven will shut off automatically, and end-of-cycle tones will sound.

## Warming Drawer

(on some models)

### WARNING

#### Food Poisoning Hazard

**Do not let food sit for more than one hour before or after cooking.**

**Doing so can result in food poisoning or sickness.**

The Warming Drawer is ideal for keeping hot cooked foods at serving temperature. It may also be used for warming breads and pastries.

Different types of food may be placed in the warming drawer at the same time. For smaller quantities of foods, or foods containing eggs, do not hold longer than 30 minutes.

Food must be at serving temperature before being placed in the warming drawer. Breads, pastries, and fruit pies may be heated from room temperature on the HI setting.

Remove food from plastic bags and place in oven-safe container. Cover foods with a lid or aluminum foil.

Do not cover with plastic wrap.

Empty serving dishes and ovenproof dishes can be heated while the warming drawer is preheating.

Do not place food to be warmed directly on warming drawer surface.

### To Use:

1. Place cooked food(s) in warming drawer.
2. Press WARMING DRAWER ON button.  
"WARM-LOW" will appear on the display.

To change the temperature setting, press WARMING DRAWER ON again. Each press of the WARMING DRAWER ON button will increase the temperature setting. Setting may be changed at any time.

"WARM DRAWER ON" will appear on the display after 5 seconds.

3. Press WARM DRAWER OFF when finished.

### Warming Drawer Settings:

The warming drawer is preset for a “low” temperature, but can be changed by pressing WARMING DRAWER ON additional times. Use the following chart as a guide when selecting a different temperature other than “Low.”

SETTINGS	TEMPERATURES
LOW	100°F (38°C)
MED LOW (Medium Low)	140°F (60°C)
MED (Medium)	160°F (71°C)
MED HI (Medium High)	180°F (88°C)
HI (High)	195°F (91°C)

### Warming Drawer Temperature Chart

Different foods require different settings in order to maintain the ideal serving temperature. Use the following chart as a guide.


FOOD	SETTING
<b>Appetizers</b>	HI
<b>Biscuits</b>	LOW
<b>Chicken</b>	
Boneless, Breaded Nuggets	HI HI
<b>Coffee Cake</b>	LOW
<b>Dinner Plate (1)</b>	
Salisbury Steak, Mashed Potatoes, Corn	HI

FOOD	SETTING
<b>Fish Pieces</b>	
Breaded Battered	HI HI
<b>French Fries</b>	HI
<b>Gravy</b>	MED HI
<b>Ham, Boneless</b>	MED
<b>Hard Rolls</b>	LOW
<b>Lasagna</b>	MED HI
<b>Pastries</b>	
Prepackaged, baked Prepackaged, frozen	MED HI LOW
<b>Pie</b>	
Single Crust Double Crust	LOW LOW
<b>Pizza</b>	MED HI
<b>Potatoes, Baked</b>	MED HI
<b>Quiche</b>	MED
<b>Roast, Boneless</b>	MED HI
<b>Roasted Chicken</b>	MED HI
<b>Soft Rolls</b>	LOW

## RANGE CARE

### Self-Cleaning Cycle

**⚠ WARNING**



**Burn Hazard**

**Do not touch the oven during the Self-Cleaning cycle.**

**Keep children away from oven during Self-Cleaning cycle.**

**Failure to follow these instructions can result in burns.**

**IMPORTANT:** The health of some birds is extremely sensitive to the fumes given off during the Self-Cleaning cycle. Exposure to the fumes may result in death to certain birds. Always move birds to another closed and well-ventilated room.

Self-clean the oven before it becomes heavily soiled. Heavy soil results in longer cleaning and more smoke.

Keep the kitchen well-ventilated during the Self-Cleaning cycle to help get rid of heat, odors, and smoke.

Do not block the oven vent(s) during the Self-Cleaning cycle. Air must be able to move freely. Depending on your model, see “Oven Vent” or “Oven Vents” section.

Do not clean, rub, damage or move the oven door gasket. The door gasket is essential for a good seal.

#### Prepare Oven:

- Remove the broiler pan, grid, cookware and bakeware from the oven.
- Remove any foil from the oven because it may burn or melt, damaging the oven.
- Remove oven racks to keep them shiny and easy to slide. See “General Cleaning” section for more information.
- Hand clean inside door edge and the 1½" (3.8 cm) area around the inside oven cavity frame, being certain not to move or bend the gasket. This area does not get hot enough during self-cleaning to remove soil. Do not let water, cleaner, etc., enter slots on door frame. Use a damp cloth to clean this area.
- Wipe out any loose soil to reduce smoke and avoid damage. At high temperatures, foods react with porcelain. Staining, etching, pitting or faint white spots can result. This will not affect cooking performance.

#### Prepare Cooktop and Storage Drawer (on some models):

- Remove plastic items from the cooktop because they may melt.
- Remove all items from the storage drawer.

## How the Cycle Works

**IMPORTANT:** The heating and cooling of porcelain on steel in the oven may result in discoloring, loss of gloss, hairline cracks and popping sounds.

The Self-Cleaning cycle uses very high temperatures, burning soil to a powdery ash.

The oven is preset for a 2 hour 30 minute clean cycle; however, the time can be changed. There are 5 levels of clean. Suggested clean times are 2 hours 30 minutes for light soil and between 3 hours 30 minutes to 4 hours 30 minutes for average to heavy soil. Use the following chart as a guide to determine the desired cleaning level.

CLEANING LEVEL	TOTAL CLEANING TIME (includes a 30 minute cool down time)
1 (Quick)	2 hours 30 minutes
2	3 hours
3 (Regular)	3 hours 30 minutes
4	4 hours
5 (Maxi)	4 hours 30 minutes

Once the oven has completely cooled, remove ash with a damp cloth. To avoid breaking the glass, do not apply a cool damp cloth to the inner door glass before it has completely cooled.

The oven light will not work during the Self-Cleaning cycle.

### To Self-Clean:

Before self-cleaning, make sure the door is closed completely or it will not lock and the cycle will not begin.

1. Press SELF CLEAN. To set a clean time other than 3 hours 30 minutes, press SELF CLEAN until the desired time is reached. The clean time can be set between 2 hours 30 minutes and 4 hours 30 minutes.
2. Press START.

“LOCKING DOOR” will appear on the display as will the clean time, start time and stop time. When the door locks, self-clean will start and “OVEN IS CLEANING” then, “DOOR LOCKED” will appear in the display.

The door will not unlock until the oven cools.

When the cycle is complete and the oven cools, “SELF CLEAN COMPLETE” will appear in the oven display.

3. Press any pad or open the oven door to clear the oven display.

### To Delay Start Self-Clean:

Before delay starting Self-Clean, make sure the clock is set to the correct time of day. See “Clock/Timer Display” section. Also, make sure the door is closed completely or it will not lock and the cycle will not begin.

1. Press SELF CLEAN. To set a clean time other than 3 hours 30 minutes, press SELF CLEAN until the desired time is reached. The clean time can be set between 2 hours 30 minutes and 4 hours 30 minutes.
2. Press STOP TIME.
3. Press the number pads to enter the time of day to stop.
4. Press START.

The start time is automatically calculated and displayed along with the clean time and stop time. “DELAY” will also appear on the display.

When the start time is reached, “LOCKING DOOR” will appear in the display. When the door locks, self-clean will start and “OVEN IS CLEANING” then, “DOOR LOCKED” will appear in the display.

The door will not unlock until the oven cools.

When the cycle is complete and the oven cools, “SELF CLEAN COMPLETE” will appear on the oven display.

5. Press OFF to clear the oven display.

### To Stop Self-Clean anytime:

Press OFF. If the oven temperature is too high, the door will remain locked. It will not unlock until the oven cools.

If the oven temperature is too high after self-cleaning, then “LOCKED” will appear on the display until the oven completely cools.

## General Cleaning

**IMPORTANT:** Before cleaning, make sure all controls are off and the oven and cooktop are cool. Always follow label instructions on cleaning products. Soap, water and a soft cloth or sponge are suggested first unless otherwise noted.

### EXTERIOR PORCELAIN ENAMEL SURFACES (on some models)

Food spills containing acids, such as vinegar and tomato, should be cleaned as soon as the entire range is cool. These spills may affect the finish.

#### Cleaning Method:

- Glass cleaner, mild liquid cleaner or nonabrasive scrubbing pad:

Gently clean around the model and serial number plate because scrubbing may remove numbers.

### STAINLESS STEEL (on some models)

**NOTE:** To avoid damage to stainless steel surfaces, do not use soap-filled scouring pads, abrasive cleaners, Cooktop Cleaner, steel-wool pads, gritty washcloths or abrasive paper towels. Damage may occur to stainless steel surfaces, even with one-time or limited use.

#### Cleaning Method:

##### Rub in direction of grain to avoid damaging.

- KitchenAid® Stainless Steel Cleaner and Polish (sample included):  
See “Assistance or Service” section to order.
- Liquid detergent or all-purpose cleaner: Rinse with clean water and dry with soft, lint-free cloth.

### PORCELAIN-COATED GRATES AND CAPS

Food spills containing acids, such as vinegar and tomato, should be cleaned as soon as the cooktop, grates and caps are cool. These spills may affect the finish.

To avoid chipping, do not bang grates and caps against each other or hard surfaces such as cast iron cookware.

Do not reassemble caps on burners while wet.

Do not clean in the Self-Cleaning cycle.

Do not clean in dishwasher.

#### Cleaning Method:

- Nonabrasive plastic scrubbing pad and mildly abrasive cleanser:

Clean as soon as cooktop, grates and caps are cool.

---

## SURFACE BURNERS

---

### Sealed Burner models

- See “Sealed Surface Burners” section.

---

## COOKTOP CONTROLS

---

To avoid damage to the cooktop controls, do not use steel wool, abrasive cleansers or oven cleaner.

To avoid damage, do not soak knobs.

When replacing knobs, make sure knobs are in the Off position.

### Cleaning Method:

- Warm, soapy water:  
Pull knobs straight away from control panel to remove.

---

## OVEN DOOR EXTERIOR

---

### Cleaning Method:

- Glass cleaner and paper towels or nonabrasive plastic scrubbing pad:  
Apply glass cleaner to soft cloth or sponge, not directly on panel.

---

## CONTROL PANEL

---

To avoid damage to the control panel, do not use abrasive cleaners, steel-wool pads, gritty washcloths or abrasive paper towels.

### Cleaning Method:

- Glass cleaner and soft cloth or sponge:  
Apply glass cleaner to soft cloth or sponge, not directly on panel.

---

## OVEN CAVITY

---

Do not use oven cleaners.

Food spills should be cleaned when oven cools. At high temperatures, foods react with porcelain and staining, etching, pitting or faint white spots can result.

### Cleaning Method:

- Self-Cleaning cycle:  
See “Self-Cleaning Cycle” first.

---

## OVEN RACKS

---

### Cleaning Method:

- Self-Cleaning cycle:  
See “Self-Cleaning Cycle” first. Remove racks or they will discolor and become harder to slide. If this happens, a light coating of vegetable oil applied to the rack guides will help them slide.
- Steel-wool pad

---

## STORAGE DRAWER (on some models)

---

Make sure drawer is cool and empty before cleaning.

For more information, see “Storage Drawer” section.

### Cleaning Method:

- Mild detergent

---

## WARMING DRAWER (on some models)

---

Make sure drawer is cool and empty before cleaning.

### Cleaning Method:

- Mild detergent (for both)
- KitchenAid® Stainless Steel Cleaner and Polish (sample included):  
See “Assistance or Service” section to order.

---

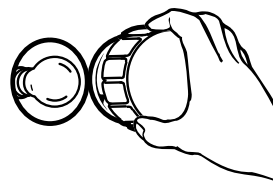
## Oven Light(s)

The oven light is a standard 15-watt appliance bulb. It will come on when the oven door is opened. The light will not work during the Self-Cleaning cycle (on some models). On some models, when the oven door is closed, press OVEN LIGHT to turn the light on or off.

### To Replace:

Before replacing bulb, make sure the oven and cooktop are cool and the control knobs are off.

1. Unplug range or disconnect power.
2. Turn the glass bulb cover in the back of the oven counterclockwise to remove.



3. Turn bulb counterclockwise to remove from socket.
4. Replace bulb and bulb cover by turning clockwise.
5. Plug in range or reconnect power.

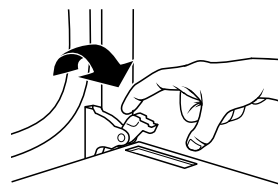
---

## Oven Door

For normal range use, it is not suggested to remove the oven door. However, if removal is necessary, make sure the oven is off and cool. Then, follow these instructions. The oven door is heavy.

### To Remove:

1. Open oven door all the way.
2. Flip up the hinge latch on each side.



3. Close the oven door as far as it will shut.
4. Lift the oven door while holding both sides.  
Continue to push the oven door closed and pull it away from the oven door frame.





### To Replace:

1. Insert both hanger arms into the door.



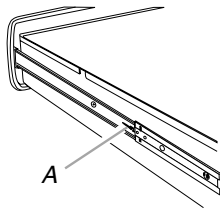
2. Open the oven door.  
You should hear a “click” as the door is set into place.
3. Move the hinge levers back to the locked position. Check that the door is free to open and close. If it is not, repeat the removal and installation procedures.

### Warming Drawer (on some models)

Remove all items from inside the warming drawer, and allow the warming drawer to cool completely before attempting to remove the drawer.

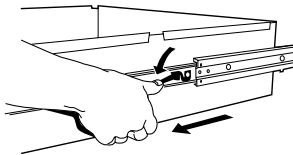
### To Remove:

1. Open drawer to its fully open position.
2. Locate the black loops on both sides of the drawer.



A. Loop

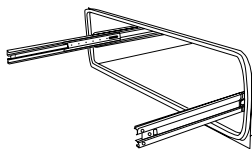
3. Pull both loops forward at the same time, then pull drawer out another inch.



4. Holding the drawer by its sides, not its front, gently pull it all the way out.

### To Replace:

1. Align the drawer glides with the receiving guides.



2. Push drawer in all the way.
3. Gently open and close the drawer to ensure it is seated properly on the slides.

## TROUBLESHOOTING

Try the solutions suggested here first in order to avoid the cost of an unnecessary service call.

### Nothing will operate

## ⚠ WARNING



### Electrical Shock Hazard

Plug into a grounded 3 prong outlet.

Do not remove ground prong.

Do not use an adapter.

Do not use an extension cord.

Failure to follow these instructions can result in death, fire, or electrical shock.

- **Is the power supply cord unplugged?**  
Plug into a grounded outlet.
- **Has a household fuse blown, or has a circuit breaker tripped?**  
Replace the fuse or reset the circuit breaker. If the problem continues, call an electrician.
- **Is the range properly connected to the gas supply?**  
Contact a trained repair specialist or see Installation Instructions.

### Surface burners will not operate

- **Is this the first time the surface burners have been used?**  
Turn on any one of the surface burner knobs to release air from the gas lines.
- **Is the control knob set correctly?**  
Push in knob before turning to a setting.
- **Are the burner ports clogged?**  
See “Sealed Surface Burners” section.

### Surface burner flames are uneven, yellow and/or noisy

- **Are the burner ports clogged?**  
See “Sealed Surface Burners” section.
- **On models with caps, are the burner caps positioned properly?**  
See “Sealed Surface Burners” section.
- **Is propane gas being used?**  
The range may have been converted improperly. Contact a trained repair specialist.

### Surface burner makes popping noises

- **Is the burner wet?**  
Let it dry.

---

## Gas range noises during Bake and Broil operations

---

Noises that may be heard during the Bake and Broil operations:

Whooshing, Poof, Clicking, Snaps, Pop

These sounds are normal operational noises that can be heard each time the Bake or Broil burners ignite during the cycle.

- A pop can be heard when the gas valve is opening or cycling on and will make a single pop when it snaps open from the solenoid. It sounds similar to a suction cup being pulled off of a piece of glass.
- The igniters will click several times until the flame is detected. These are short clicking sounds like tapping a nail onto a piece of glass.
- A whooshing or poof sound is heard when the Bake or Broil burner ignites.
- On some models, a clicking sound can be heard when the convection fan relay cycles on and off.

---

## Burner sparks but does not light

---

- **Is there continuous sparking, but the burner does not light?**  
Discontinue use of the surface burner and contact a service technician.

---

## Excessive heat around cookware on cooktop

---

- **Is the cookware the proper size?**  
Use cookware about the same size as the surface cooking area, element or surface burner. Cookware should not extend more than ½" (1.3 cm) outside the cooking area.

---

## Cooktop cooking results not what expected

---

- **Is the proper cookware being used?**  
See "Cookware" section.
- **Is the control knob set to the proper heat level?**  
See "Cooktop Controls" section.
- **Is the range level?**  
Level the range. See the Installation Instructions.

---

## Oven will not operate

---

- **Is this the first time the oven has been used?**  
Turn any one of the surface burner knobs on to release air from the gas lines.
- **Is the electronic oven control set correctly?**  
See "Glass Touch-Activated Electronic Oven Control" section.
- **Has a delay start been set?**  
See "Timed/Delay Cooking" section.
- **On some models, is the Control Lock set?**  
See "Control Lock" section.
- **On some models, is the Sabbath Mode set?**  
See "Sabbath Mode - Option 7" Section.

---

## Oven burner flames are yellow or noisy

---

- **Is propane gas being used?**  
The range might have been converted improperly. Contact a trained repair specialist.

---

## Cooling fan runs during baking, broiling or cleaning

---

- It is normal for the fan to automatically run while the oven is in use or for some time after the oven is shut off to cool the electronic control.

---

## Oven temperature too high or too low

---

- **Does the oven temperature calibration need adjustment?**  
See "Oven Temperature Calibration - Option 6" section.

---

## Display shows messages

---

- **Is the display showing "SET CLOCK"?** There has been a power failure. Clear the display. See "Oven Displays" section. On some models, reset the clock, if needed. See "Clock/Timer Display" section.
- **Is the display showing a letter followed by a number?**  
Press OFF to clear the display. See "Oven Displays" section. If it reappears, call for service. See "Assistance or Service" section.

---

## On some models, convection fan does not operate

---

- **Does display show the fan turning, but the fan does not operate?**  
There will be a brief delay of the fan operation after the start of a convection function.
- **Is the convection broil function being used?**  
The fan will cycle on and off throughout convection broil operation.
- **Is the oven door open?**  
Opening the oven door during a convection function will stop the fan.

---

## Self-Cleaning Cycle will not operate

---

- **Is the oven door open?**  
Close the oven door all the way.
- **Has the function been entered?**  
See "Self-Cleaning Cycle" section.
- **On some models, has a delay start Self-Clean cycle been set?**  
See "Self-Cleaning Cycle" section.
- **Has a delay start been set?**  
See "Timed/Delay Cooking" section.



---

## Oven cooking results not what expected

---

- **Is the range level?**  
Level the range. See the Installation Instructions.
- **Is the proper temperature set?**  
Double-check the recipe in a reliable cookbook.
- **Is the proper oven temperature calibration set?**  
See "Oven Temperature Calibration - Option 6" section.
- **Was the oven preheated?**  
See "Bake," "Broil," "EasyConvect™ Conversion," "Convection Bake," or "Convection Roast" section.
- **Is the proper bakeware being used?**  
See "Bakeware" section.
- **Are the racks positioned properly?**  
See "Positioning Racks and Bakeware" section.
- **Is there proper air circulation around bakeware?**  
See "Positioning Racks and Bakeware" section.
- **Is the batter evenly distributed in the pan?**  
Check that batter is level in the pan.
- **Is the proper length of time being used?**  
Adjust cooking time.
- **Has the oven door been opened while cooking?**  
Oven peeking releases oven heat and can result in longer cooking times.
- **Are baked items too brown on the bottom?**  
Decrease oven temperature 15°F to 25°F (5°C to 15°C) or move rack to higher position in the oven.
- **Are pie crust edges browning early?**  
Use aluminum foil to cover the edge of the crust and/or reduce baking temperature.

---

# ASSISTANCE OR SERVICE

---

Before calling for assistance or service, please check "Troubleshooting." It may save you the cost of a service call. If you still need help, follow the instructions below.

When calling, please know the purchase date and the complete model and serial number of your appliance. This information will help us to better respond to your request.

### If you need replacement parts

If you need to order replacement parts, we recommend that you use only factory specified parts. These factory specified parts will fit right and work right because they are made with the same precision used to build every new KITCHENAID® appliance.

To locate factory specified parts in your area, call us or your nearest KitchenAid designated service center.

---

## In the U.S.A.

Call the KitchenAid Customer eXperience Center toll free: **1-800-422-1230**.

### Our consultants provide assistance with:

- Features and specifications on our full line of appliances.
- Installation information.
- Use and maintenance procedures.
- Accessory and repair parts sales.
- Specialized customer assistance (Spanish speaking, hearing impaired, limited vision, etc.).
- Referrals to local dealers, repair parts distributors and service companies. KitchenAid designated service technicians are trained to fulfill the product warranty and provide after-warranty service, anywhere in the United States.

To locate the KitchenAid designated service company in your area, you can also look in your telephone directory Yellow Pages.

### For further assistance

If you need further assistance, you can write to KitchenAid with any questions or concerns at:

KitchenAid Brand Home Appliances  
Customer eXperience Center  
553 Benson Road  
Benton Harbor, MI 49022-2692

Please include a daytime phone number in your correspondence.

---

## Accessories

### Accessories U.S.A.

To order accessories, call the KitchenAid Customer eXperience Center toll free at **1-800-442-9991** and follow the menu prompts.

Or visit our website at [www.kitchenaid.com/cookingaccessories](http://www.kitchenaid.com/cookingaccessories). Portable appliances, bakeware, cookware, gadgets and textiles are also available.

### KitchenAid® Stainless Steel Cleaner and Polish

(stainless steel models)

Order Part Number 4396920

### KitchenAid® Stainless Steel Wipes

(stainless steel models)

Order Part Number 8212510

### Cooktop Cleaner

(porcelain or glass cooktop surfaces)

Order Part Number 31464

### Cooktop Protectant

(porcelain or glass cooktop surfaces)

Order Part Number 31463

### Gas Grate/Drip Pan Cleaner

Order Part Number 31617

### Brick Pizza Stone

Order Part Number 4378577

### Broiler Pan and Roasting Rack

Order Part Number W10123240

[www.kitchenaid.com/broilerpan](http://www.kitchenaid.com/broilerpan)

### Rear Filler Strip Assembly

Order Part Number W10113902A Black

Order Part Number W10113903A White

Order Part Number W10113904A Biscuit

---

## In Canada

Call the KitchenAid Canada Customer eXperience Centre toll free: **1-800-807-6777**.

### Our consultants provide assistance with:

- Features and specifications on our full line of appliances.
- Use and maintenance procedures.
- Accessory and repair parts sales.
- Referrals to local dealers, repair parts distributors and service companies. KitchenAid Canada designated service technicians are trained to fulfill the product warranty and provide after-warranty service, anywhere in Canada.

### For further assistance

If you need further assistance, you can write to KitchenAid Canada with any questions or concerns at:

Customer eXperience Centre  
KitchenAid Canada  
200 - 6750 Century Ave.  
Mississauga, Ontario L5N 0B7

Please include a daytime phone number in your correspondence.

---

### Accessories

To order accessories, visit our website at [www.kitchenaid.com/cookingaccessories](http://www.kitchenaid.com/cookingaccessories). Portable appliances, bakeware, cookware, gadgets and textiles are also available.

### KitchenAid® Stainless Steel Cleaner and Polish

(stainless steel models)

Order Part Number 4396920

### KitchenAid® Stainless Steel Wipes

(stainless steel models)

Order Part Number 8212510

### Cooktop Cleaner

(porcelain or glass cooktop surfaces)

Order Part Number 31464B

### Cooktop Protectant

(porcelain or glass cooktop surfaces)

Order Part Number 31463B

### Gas Grate/Drip Pan Cleaner

Order Part Number 31617B

### Brick Pizza Stone

Order Part Number 4378577

### Broiler Pan and Roasting Rack

Order Part Number W10123240

[www.kitchenaid.com/broilerpan](http://www.kitchenaid.com/broilerpan)

### Rear Filler Strip Assembly

Order Part Number W10113902A Black

Order Part Number W10113903A White

Order Part Number W10113904A Biscuit

---

# KITCHENAID® DUAL FUEL RANGE WARRANTY

---

## LIMITED WARRANTY

For one year from the date of purchase, when this major appliance is operated and maintained according to instructions attached to or furnished with the product, KitchenAid brand of Whirlpool Corporation or Whirlpool Canada LP (hereafter "KitchenAid") will pay for Factory Specified Parts and repair labor to correct defects in materials or workmanship. Service must be provided by a KitchenAid designated service company. This limited warranty is valid only in the United States or Canada and applies only when the major appliance is used in the country in which it was purchased. Outside the 50 United States and Canada, this limited warranty does not apply. Proof of original purchase date is required to obtain service under this limited warranty.

---

## SECOND THROUGH FIFTH YEAR LIMITED WARRANTY ON CERTAIN COMPONENT PARTS

In the second through fifth years from the date of purchase, when this appliance is operated and maintained according to instructions attached to or furnished with the product, KitchenAid will pay for Factory Specified Parts for the following components if defective in materials or workmanship:

- Electric element
- Solid state touch control system parts
- Gas burners

---

## SECOND THROUGH TENTH YEAR LIMITED WARRANTY ON STEAM-ASSIST OVEN CAVITY AND DOORS

In the second through tenth years from date of purchase, when this major appliance is operated and maintained according to instructions attached to or furnished with the product, KitchenAid will pay for Factory Specified Parts for the porcelain oven cavity/inner door if the part rusts through due to defects in materials or workmanship.

---

## ITEMS EXCLUDED FROM WARRANTY

### This limited warranty does not cover:

1. Service calls to correct the installation of your major appliance, to instruct you on how to use your major appliance, to replace or repair house fuses, or to correct house wiring or plumbing.
2. Service calls to repair or replace appliance light bulbs, air filters or water filters. Consumable parts are excluded from warranty coverage.
3. Repairs when your major appliance is used for other than normal, single-family household use or when it is used in a manner that is contrary to published user or operator instructions and/or installation instructions.
4. Damage resulting from accident, alteration, misuse, abuse, fire, flood, acts of God, improper installation, installation not in accordance with electrical or plumbing codes, or use of consumables or cleaning products not approved by KitchenAid.
5. Cosmetic damage, including scratches, dents, chips or other damage to the finish of your major appliance, unless such damage results from defects in materials or workmanship and is reported to KitchenAid within 30 days from the date of purchase.
6. Costs associated with the removal from your home of your major appliance for repairs. This major appliance is designed to be repaired in the home and only in-home service is covered by this warranty.
7. Repairs to parts or systems resulting from unauthorized modifications made to the appliance.
8. Expenses for travel and transportation for product service if your major appliance is located in a remote area where service by an authorized KitchenAid servicer is not available.
9. The removal and reinstallation of your major appliance if it is installed in an inaccessible location or is not installed in accordance with published installation instructions.
10. Major appliances with original model/serial numbers that have been removed, altered or cannot be easily determined. This warranty is void if the factory applied serial number has been altered or removed from your major appliance.

The cost of repair or replacement under these excluded circumstances shall be borne by the customer.

---

### DISCLAIMER OF IMPLIED WARRANTIES; LIMITATION OF REMEDIES

CUSTOMER'S SOLE AND EXCLUSIVE REMEDY UNDER THIS LIMITED WARRANTY SHALL BE PRODUCT REPAIR AS PROVIDED HEREIN. IMPLIED WARRANTIES, INCLUDING WARRANTIES OF MERCHANTABILITY OR FITNESS FOR A PARTICULAR PURPOSE, ARE LIMITED TO ONE YEAR OR THE SHORTEST PERIOD ALLOWED BY LAW. KITCHENAID SHALL NOT BE LIABLE FOR INCIDENTAL OR CONSEQUENTIAL DAMAGES. SOME STATES AND PROVINCES DO NOT ALLOW THE EXCLUSION OR LIMITATION OF INCIDENTAL OR CONSEQUENTIAL DAMAGES, OR LIMITATIONS ON THE DURATION OF IMPLIED WARRANTIES OF MERCHANTABILITY OR FITNESS, SO THESE EXCLUSIONS OR LIMITATIONS MAY NOT APPLY TO YOU. THIS WARRANTY GIVES YOU SPECIFIC LEGAL RIGHTS, AND YOU MAY ALSO HAVE OTHER RIGHTS WHICH VARY FROM STATE TO STATE OR PROVINCE TO PROVINCE.

---

If outside the 50 United States and Canada, contact your authorized KitchenAid dealer to determine if another warranty applies.

If you need service, first see the "Troubleshooting" section of the Use & Care Guide. After checking "Troubleshooting," you may find additional help by checking the "Assistance or Service" section or by calling KitchenAid. In the U.S.A., call **1-800-422-1230**. In Canada, call **1-800-807-6777**.

9/07

---

### Keep this book and your sales slip together for future reference. You must provide proof of purchase or installation date for in-warranty service.

Write down the following information about your major appliance to better help you obtain assistance or service if you ever need it. You will need to know your complete model number and serial number. You can find this information on the model and serial number label located on the product.

Dealer name \_\_\_\_\_

Address \_\_\_\_\_

Phone number \_\_\_\_\_

Model number \_\_\_\_\_

Serial number \_\_\_\_\_

Purchase date \_\_\_\_\_

# SÉCURITÉ DE LA CUISINIÈRE

## Votre sécurité et celle des autres est très importante.

Nous donnons de nombreux messages de sécurité importants dans ce manuel et sur votre appareil ménager. Assurez-vous de toujours lire tous les messages de sécurité et de vous y conformer.



Voici le symbole d'alerte de sécurité.

Ce symbole d'alerte de sécurité vous signale les dangers potentiels de décès et de blessures graves à vous et à d'autres.

Tous les messages de sécurité suivront le symbole d'alerte de sécurité et le mot "DANGER" ou "AVERTISSEMENT". Ces mots signifient :

**⚠ DANGER**

Risque possible de décès ou de blessure grave si vous ne suivez pas immédiatement les instructions.

**⚠ AVERTISSEMENT**

Risque possible de décès ou de blessure grave si vous ne suivez pas les instructions.

Tous les messages de sécurité vous diront quel est le danger potentiel et vous disent comment réduire le risque de blessure et ce qui peut se produire en cas de non-respect des instructions.

**AVERTISSEMENT : Si les renseignements dans ce manuel ne sont pas exactement observés, un incendie ou une explosion peut survenir, causant des dommages au produit, des blessures ou un décès.**

- Ne pas entreposer ni utiliser de l'essence ou d'autres vapeurs ou liquides inflammables à proximité de cet appareil ou de tout autre appareil électroménager.
- QUE FAIRE DANS LE CAS D'UNE ODEUR DE GAZ :
  - Ne pas tenter d'allumer un appareil.
  - Ne pas toucher à un commutateur électrique.
  - Ne pas utiliser le téléphone se trouvant sur les lieux.
  - Appeler immédiatement le fournisseur de gaz à partir du téléphone d'un voisin. Suivre ses instructions.
  - À défaut de joindre votre fournisseur de gaz, appeler les pompiers.
- L'installation et l'entretien doivent être effectués par un installateur qualifié, une agence de service ou le fournisseur de gaz.

**AVERTISSEMENT :** L'odorat ne permet pas toujours la détection d'une fuite de gaz.

Les distributeurs de gaz recommandent l'emploi d'un détecteur de gaz (homologation UL ou CSA).

Pour d'autre information, contacter le fournisseur de gaz local.

En cas de détection d'une fuite de gaz, exécuter les instructions "Que faire dans le cas d'une odeur de gaz".

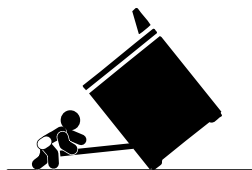
Avertissements de la proposition 65 de l'État de Californie :

**AVERTISSEMENT :** Ce produit contient au moins un produit chimique connu par l'État de Californie pour être à l'origine de cancers.

**AVERTISSEMENT :** Ce produit contient au moins un produit chimique connu par l'État de Californie pour être à l'origine de malformations et autres déficiences de naissance.

## La bride antibasculement

Dans les conditions de service normales, la cuisinière ne bascule pas. Elle peut cependant basculer si une force ou un poids excessif est appliqué sur la porte ouverte alors que la bride antibasculement n'est pas convenablement fixée.



### **⚠ AVERTISSEMENT**

#### Risque de basculement

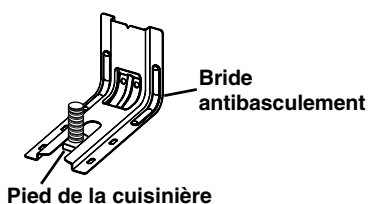
**Un enfant ou une personne adulte peut faire basculer la cuisinière, ce qui peut causer un décès.**

**Vérifier que la bride antibasculement est bien installée et engagée, conformément aux instructions d'installation.**

**Réengager la bride antibasculement si la cuisinière a été déplacée.**

**Ne pas faire fonctionner la cuisinière si la bride antibasculement n'est pas installée et engagée.**

**Le non-respect de ces instructions peut causer un décès ou des brûlures graves aux enfants et aux adultes.**



**Pour vérifier que la bride antibasculement est bien installée et engagée :**

- Faire glisser la cuisinière vers l'avant.
- Vérifier que la bride antibasculement est bien fixée au plancher ou au mur.
- Faire de nouveau glisser la cuisinière vers l'arrière de sorte que le pied de la cuisinière se trouve sous la bride antibasculement.
- Voir les instructions d'installation pour plus de détails.

# IMPORTANTES INSTRUCTIONS DE SÉCURITÉ

**AVERTISSEMENT :** Pour réduire le risque d'incendie, de choc électrique, de blessures ou de dommages lors de l'utilisation de la cuisinière, il convient d'observer certaines précautions élémentaires dont les suivantes :

■ **AVERTISSEMENT :** POUR MINIMISER LE RISQUE DE BASCULEMENT DE LA CUISINIÈRE, ELLE DOIT ÊTRE BIEN IMMOBILISÉE PAR DES DISPOSITIFS ANTIBASCULEMENT CORRECTEMENT INSTALLÉS. POUR VÉRIFIER SI LES DISPOSITIFS SONT CORRECTEMENT INSTALLÉS, GLISSER LA CUISINIÈRE VERS L'AVANT ET VÉRIFIER SI LA BRIDE ANTIBASCULEMENT EST BIEN FIXÉE AU PLANCHER OU AU MUR, ET GLISSER LA CUISINIÈRE VERS L'ARRIÈRE POUR QUE LE PIED ARRIÈRE DE LA CUISINIÈRE SOIT SOUS LA BRIDE ANTIBASCULEMENT.

■ **AVERTISSEMENT :** NE JAMAIS utiliser cet appareil comme dispositif de chauffage de la pièce. Le non-respect de cette instruction peut entraîner une intoxication au monoxyde de carbone et une surchauffe du four.

■ **AVERTISSEMENT :** NE JAMAIS couvrir les fentes, trous ou passages d'air au fond du four ou couvrir entièrement une grille avec des matériaux tels que du papier d'aluminium. Le non-respect de cette instruction empêche la circulation de l'air dans le four et peut entraîner une intoxication au monoxyde de carbone. Les feuilles de papier d'aluminium peuvent également retenir la chaleur et créer un risque d'incendie.

■ **MISE EN GARDE :** Ne pas remiser dans des armoires au-dessus de la cuisinière ou sur le dossier d'une cuisinière, des objets que des enfants pourraient vouloir atteindre. Les enfants pourraient se brûler ou se blesser en grimant sur la cuisinière.

■ Ne pas laisser les enfants seuls – Les enfants ne doivent pas être laissés seuls ou sans surveillance dans la pièce où la cuisinière est en service. Ne jamais laisser les enfants s'asseoir ou se tenir sur une partie quelconque de la cuisinière.

■ Porter des vêtements appropriés – Des vêtements amples ou détachés ne doivent jamais être portés pendant l'utilisation de la cuisinière.

■ Entretien par l'utilisateur – Ne pas réparer ni remplacer toute pièce de la cuisinière si ce n'est pas spécifiquement recommandé dans le manuel. Toute autre opération d'entretien ou de réparation doit être confiée à un technicien qualifié.

■ Remisage dans ou sur la cuisinière – Des matériaux inflammables ne doivent pas être remisés dans un four ou près des éléments de surface.

■ Ne pas utiliser d'eau pour éteindre un feu de graisse – Éteindre le feu ou les flammes ou utiliser un extincteur à produits chimiques secs, ou un extincteur à mousse.

■ N'utiliser que des mitaines de four sèches – Des mitaines de four mouillées ou humides sur des surfaces chaudes peuvent provoquer des brûlures provenant de la vapeur. Ne pas laisser les mitaines de four toucher les éléments chauffants. Ne pas utiliser une serviette ou un tissu épais.

■ NE PAS TOUCHER LES ÉLÉMENTS DE SURFACE OU L'ESPACE PRÈS DES ÉLÉMENTS – Les éléments de surface peuvent être chauds même lorsqu'ils ont une teinte foncée. Les endroits près des éléments de surface peuvent devenir assez chauds pour causer des brûlures. Pendant et après l'utilisation, ne pas toucher les éléments chauffants et ne pas laisser les vêtements ou autres matériaux inflammables entrer en contact avec ces éléments de surface ou les endroits près des éléments, avant qu'ils aient suffisamment refroidi. Ces endroits comprennent la table de cuisson et les surfaces près de la table de la cuisson.

■ Ne jamais laisser les éléments de la table de cuisson sans surveillance alors qu'ils chauffent à la puissance maximale. Il pourrait en résulter une ébullition qui cause de la fumée et des renversements de corps gras qui peuvent s'enflammer.

■ Ustensiles de cuisson vitrifiés – Seulement certains types d'ustensiles de verre, vitrocéramique, céramique, faïence ou autres surfaces vitrifiées conviennent pour le service sur une table de cuisson, sans bris attribuables aux changements soudains de température.

■ Les poignées des ustensiles doivent être tournées vers l'intérieur et non vers le dessus des éléments adjacents – Pour réduire le risque de brûlures, d'inflammation de produits inflammables et de renversements dus à l'entrechoquement non intentionnel des ustensiles, la poignée d'un ustensile doit être positionnée de sorte qu'elle soit tournée vers l'intérieur et non au-dessus des éléments de surface adjacents.

■ Nettoyer la table de cuisson avec prudence – Si une éponge ou un chiffon mouillé est utilisé pour essuyer les renversements sur une surface de cuisson chaude, éviter les brûlures causées par la vapeur chaude. Certains nettoyants peuvent produire des émanations nocives lorsqu'ils sont utilisés sur une surface chaude.

■ Exercer une grande prudence lors de l'ouverture de la porte – Laisser l'air chaud ou la vapeur s'échapper avant d'enlever ou de replacer un plat.

■ Ne pas faire chauffer des contenants fermés – L'accumulation de pression peut causer une explosion du contenant et des blessures.

## CONSERVEZ CES INSTRUCTIONS

# IMPORTANTES INSTRUCTIONS DE SÉCURITÉ

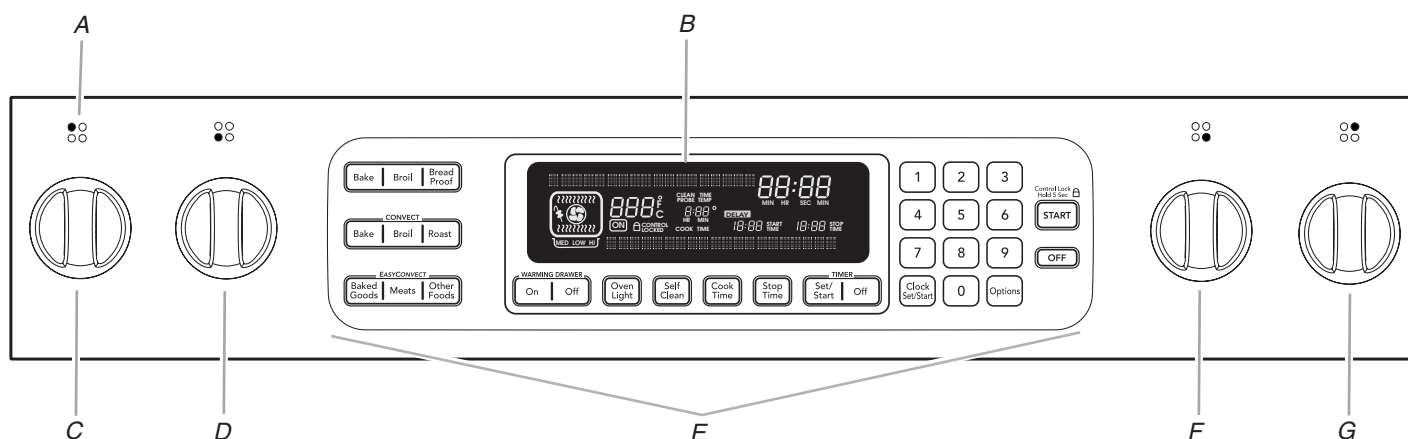
- Ne jamais obstruer les ouvertures des événements.
  - Positionnement des grilles du four – Toujours placer les grilles du four à la position désirée pendant que le four est froid. Si la grille doit être déplacée pendant que le four est chaud, ne pas laisser les mitaines de four toucher l'élément chaud du four.
  - NE PAS TOUCHER LES ÉLÉMENTS CHAUFFANTS OU LES SURFACES INTÉRIEURES DU FOUR – Les éléments chauffants peuvent être chauds même s'ils ont une teinte foncée. Les surfaces intérieures d'un four deviennent assez chaudes pour causer des brûlures. Pendant et après l'utilisation, ne pas toucher ou laisser des vêtements ou autres matériaux inflammables venir en contact avec les éléments chauds ou les surfaces intérieures chaudes du four avant qu'ils aient eu assez de temps pour refroidir. D'autres surfaces de l'appareil peuvent devenir assez chaudes pour causer des brûlures. Ces surfaces comprennent les ouvertures de l'événement du four et les surfaces près de ces ouvertures, les portes du four, et les hublots des portes du four.
  - Installation correcte – Une fois installée, la cuisinière doit être reliée à la terre conformément aux codes locaux, ou en l'absence de codes locaux, au *National Electrical Code ANSI/NFPA 70*. Au Canada, la cuisinière doit être reliée à la terre conformément au Code canadien des installations électriques. Veiller à ce que l'installation et la mise à la terre de la cuisinière soient correctement réalisées par un électricien qualifié.
  - Déconnecter la source de courant électrique avant d'intervenir sur l'appareil.
  - Des blessures peuvent résulter d'un mauvais usage des portes ou tiroirs de l'appareil – par exemple marcher, s'appuyer ou s'asseoir sur les portes ou tiroirs.
  - Entretien – Maintenir la zone de la cuisinière à l'abri des matériaux combustibles, essence ou autres vapeurs ou liquides inflammables.
  - La taille de la flamme du brûleur supérieur doit être ajustée de façon à ne pas dépasser du bord de l'ustensile de cuisson.
- Pour les cuisinières avec programme d'autonettoyage –**
- Ne pas nettoyer le joint de la porte – Le joint de la porte est essentiel pour l'étanchéité. Veiller à ne pas frotter, endommager ou déplacer le joint.
  - Ne pas utiliser des produits commerciaux de nettoyage du four – On ne doit pas utiliser un produit commercial de nettoyage de four ou un enduit de protection des surfaces internes du four quel qu'en soit le type, sur les surfaces du four ou les surfaces voisines.
  - Nettoyer uniquement les pièces indiquées dans le manuel.
  - Avant d'exécuter le programme d'autonettoyage du four – Ôter la lèchefrite et les autres ustensiles. Essuyer tout excès de renversement avant de commencer un programme de nettoyage.
- Pour les appareils avec hotte de ventilation –**
- Nettoyer les hottes de ventilation fréquemment – La graisse ne doit pas s'accumuler sur la hotte ou le filtre.
  - Lorsque vous flambez des aliments sous la hotte, mettre le ventilateur en marche.

## CONSERVEZ CES INSTRUCTIONS

## PIÈCES ET CARACTÉRISTIQUES

Ce manuel couvre plusieurs modèles différents. La cuisinière que vous avez achetée peut comporter l'ensemble des articles énumérés ou seulement certains d'entre eux. L'emplacement et l'apparence des caractéristiques illustrées ci-dessous peuvent ne pas correspondre à ceux de votre modèle.

### Tableau de commande



A. Repère de brûleur de surface

B. Afficheur du four

C. Bouton de commande arrière gauche  
(6 000 Btu/h)

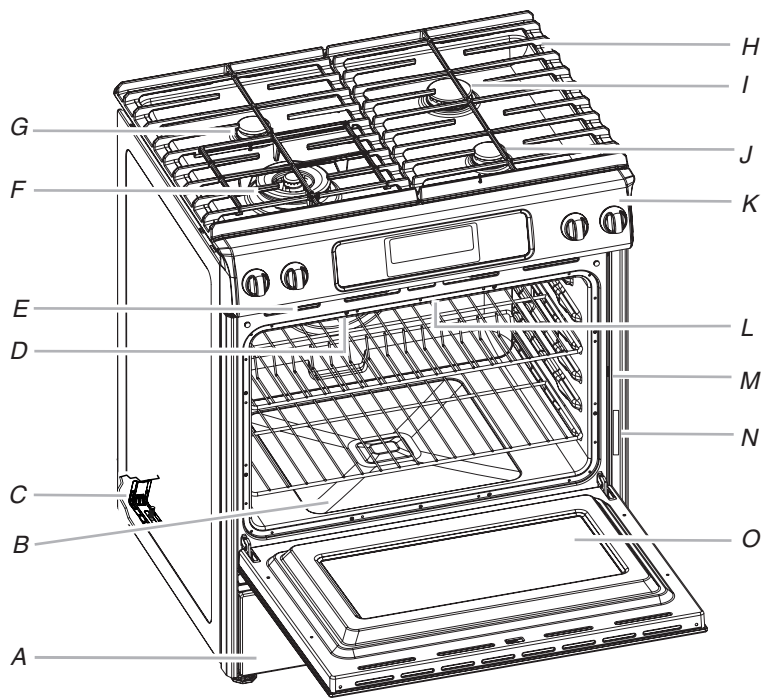
D. Bouton de commande du brûleur TripleTier®  
avant gauche à double valve (15 000 Btu/h)

E. Commande électronique du four

F. Bouton de commande avant droit  
(6 000 Btu/h)

G. Bouton de commande arrière droit  
(12 500 Btu/h)

## Cuisinière

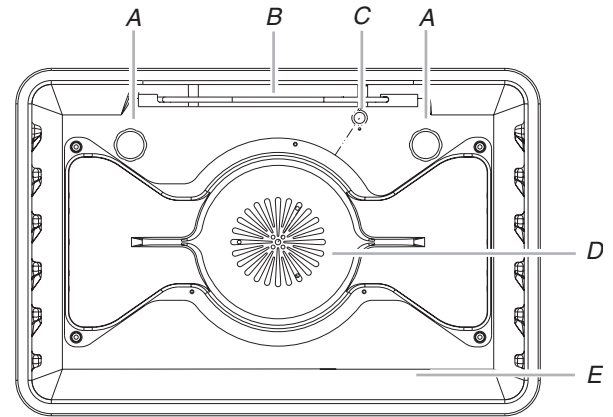


- A. Tiroir-réchaud
- B. Élément CleanBake™
- C. Bride antibasculement
- D. Élément de cuisson au grill (non illustré)
- E. Événement du four
- F. Brûleur de surface avant gauche (brûleur TripleTier® à double valve avec grille InstaWok™ sur certains modèles)
- G. Brûleur de surface arrière gauche
- H. Grille standard
- I. Brûleur de surface arrière droit
- J. Brûleur de surface avant droit

- K. Tableau de commande
- L. Commutateur de la lampe du four automatique/loquet d'autonettoyage
- M. Joint d'étanchéité de la porte
- N. Plaque signalétique
- O. Hublot de la porte du four

**Pièces et caractéristiques non illustrées**  
Lèche-frite et grille  
Sonde thermométrique

## Intérieur du four



- A. Lampes du four
- B. Éléments de grill central et complet
- C. Capteur de la cavité du four
- D. Ventilateur et élément de convection T.H.E.™ (non visibles)
- E. Élément CleanBake™ (non visible)

# UTILISATION DE LA TABLE DE CUISSON

## Commandes de la table de cuisson

### **⚠ AVERTISSEMENT**



#### Risque d'incendie

**La flamme d'un brûleur ne devrait pas dépasser le bord du récipient de cuisson.**

**Fermer tous les réglages lorsque la cuisson est terminée.**

**Le non-respect de ces instructions peut causer un décès ou un incendie.**

Les modèles avec brûleur TripleTier® comprennent une trousse de conversion au gaz propane pour le brûleur TripleTier® ainsi qu'une trousse pour les cuisinières standard. Voir les "Instructions d'installation" pour des détails sur la conversion.

Des allumeurs électriques allument automatiquement les brûleurs de surface lorsque les boutons de commande sont tournés à LITE.

Avant de régler un bouton de commande, placer l'ustensile de cuisson rempli sur la grille. Ne pas faire fonctionner un brûleur avec un ustensile de cuisson vide ou sans ustensile de cuisson sur la grille.

**REMARQUE :** Vérifier visuellement que le brûleur est allumé. Si le brûleur ne s'allume pas, guetter un déclic. Si aucun déclic ne se fait entendre, éteindre le brûleur. Vérifier si le disjoncteur ne s'est pas déclenché ou si un fusible n'est pas grillé.

Vérifier que le bouton de commande est complètement enfoncé sur la tige de la soupape. Si l'allumeur ne fonctionne toujours pas, appeler un technicien de réparation qualifié.

**IMPORTANT :** Cette table de cuisson a été configurée à l'usine pour l'alimentation au gaz naturel. Si vous souhaitez utiliser du gaz propane, une trousse de conversion au gaz propane est fournie avec la cuisinière.



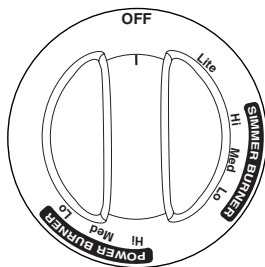
La liaison à la terre et la polarité appropriées sont nécessaires pour le bon fonctionnement du système d'allumage électrique. Si la prise de courant murale ne fournit pas la polarité correcte, les allumeurs deviendront reliés à la terre et pourront occasionnellement émettre un déclic, même après l'allumage du brûleur. Faire vérifier la prise murale par un technicien de réparation qualifié pour voir si la polarité du câblage est correcte.

**N'OUBLIEZ PAS :** Quand l'appareil est utilisé ou (sur certains modèles) durant le programme d'autonettoyage, toute la surface de la table de cuisson peut devenir chaude.

### Panne de courant

Lors d'une panne de courant prolongée, on peut allumer manuellement les brûleurs de surface. Tenir une allumette allumée près d'un brûleur et tourner le bouton dans le sens antihoraire à LITE. Une fois le brûleur allumé, tourner le bouton au réglage.

### Brûleur TripleTier® avec réglages à haute puissance et réglages de mijotage à basse puissance



**REMARQUE :** Les réglages sont indiqués sur le bouton de commande.

Le brûleur TripleTier® (15 000 Btu/h [unités thermales britanniques]) peut fournir le réglage de chaleur le plus élevé et 3 niveaux de commande de mijotage. Il est idéal pour la cuisson de grandes quantités d'aliments ou de liquides ou lors de l'utilisation de grandes marmites et casseroles.

### Réglages à haute puissance

#### Réglage :

1. Pousser et tourner le bouton dans le sens antihoraire à LITE. Tous les brûleurs de surface émettront un déclic. Seul le brûleur de mijotage dont le bouton de commande est tourné à LITE produira une flamme.
2. Pousser et tourner le bouton dans le sens antihoraire à POWER BURNER HI. Les 3 anneaux produiront une flamme.
3. Tourner le bouton n'importe où entre POWER BURNER HI et POWER BURNER LO.

Utiliser le tableau suivant comme guide lors du réglage des niveaux de chaleur du brûleur haute puissance.

RÉGLAGE À HAUTE PUISSANCE	UTILISATION RECOMMANDÉE
<b>HI (élevé)</b>	<ul style="list-style-type: none"> <li>■ Pour commencer la cuisson des aliments.</li> <li>■ Pour porter un liquide à ébullition.</li> <li>■ Cuisson au wok.</li> </ul>
<b>MED (moyen)</b>	<ul style="list-style-type: none"> <li>■ Pour maintenir une ébullition lente.</li> <li>■ Pour faire frire la volaille ou la viande.</li> <li>■ Pour faire cuire pudding, sauces, glaçage.</li> </ul>
<b>LO (bas)</b>	<ul style="list-style-type: none"> <li>■ Pour faire frire ou sauter les aliments.</li> <li>■ Pour maintenir une ébullition lente.</li> </ul>

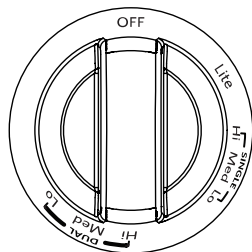
### Réglages de mijotage

1. Pousser et tourner le bouton dans le sens antihoraire à LITE. Tous les brûleurs de surface émettront un déclic. Seul le brûleur de mijotage dont le bouton de commande est tourné à LITE produira une flamme.
2. Pousser et tourner le bouton dans le sens antihoraire n'importe où entre SIMMER BURNER HI et SIMMER BURNER LO.

Utiliser le tableau suivant comme guide lors du réglage des niveaux de chaleur du brûleur de mijotage.

RÉGLAGES DE MIJOTAGE	UTILISATION RECOMMANDÉE
<b>LITE</b>	<ul style="list-style-type: none"> <li>■ Pour allumer le brûleur.</li> </ul>
<b>HI (élevé)</b>	<ul style="list-style-type: none"> <li>■ Cuisson d'aliments plus épais tels que sauce tomate, chili.</li> <li>■ Pour mijoter ou étuver les aliments.</li> </ul>
<b>MED (moyen)</b>	<ul style="list-style-type: none"> <li>■ Cuisson d'aliments à moyenne densité tels que veloutés et sauces.</li> </ul>
<b>LO (bas)</b>	<ul style="list-style-type: none"> <li>■ Pour garder les aliments au chaud.</li> <li>■ Pour faire mijoter lentement.</li> </ul>

## Brûleur TripleTier® avec réglages doubles et réglages simples (Modèle KDSS907XSP)



**REMARQUE :** Les réglages sont indiqués sur le bouton de commande.

Le brûleur TripleTier® (15 000 Btu/h [unités thermales britanniques]) peut fournir le réglage de chaleur le plus élevé et 3 niveaux de commande de mijotage. Il est idéal pour la cuisson de grandes quantités d'aliments ou de liquides ou lors de l'utilisation de grandes marmites et casseroles.

### Réglages à haute puissance

#### Réglage :

1. Pousser et tourner le bouton dans le sens antihoraire à LITE. Tous les brûleurs de surface émettront un déclic. Seul le brûleur de mijotage dont le bouton de commande est tourné à LITE produira une flamme.
2. Pousser et tourner le bouton dans le sens antihoraire à DUAL HI. Les 3 anneaux de brûleur produiront une flamme.
3. Tourner le bouton n'importe où entre DUAL HI et DUAL LO.

Utiliser le tableau suivant comme guide lors du réglage des niveaux de chaleur du brûleur haute puissance.

RÉGLAGE À HAUTE PUISSANCE	UTILISATION RECOMMANDÉE
<b>HI (élevé)</b>	<ul style="list-style-type: none"> <li>■ Pour commencer la cuisson des aliments.</li> <li>■ Pour porter un liquide à ébullition.</li> <li>■ Cuisson au wok.</li> </ul>
<b>MED (moyen)</b>	<ul style="list-style-type: none"> <li>■ Pour maintenir une ébullition lente.</li> <li>■ Pour faire frire la volaille ou la viande.</li> <li>■ Pour faire cuire pudding, sauces, glaçage.</li> </ul>
<b>LO (bas)</b>	<ul style="list-style-type: none"> <li>■ Pour faire frire ou sauter les aliments.</li> <li>■ Pour maintenir une ébullition lente.</li> </ul>

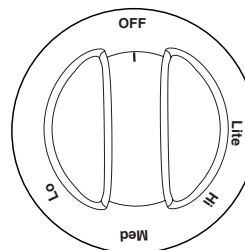
### Réglages de mijotage

1. Pousser et tourner le bouton dans le sens antihoraire à LITE. Tous les brûleurs de surface émettront un déclic. Seul le brûleur de mijotage dont le bouton de commande est tourné à LITE produira une flamme.
2. Pousser et tourner le bouton dans le sens antihoraire n'importe où entre SINGLE HI et SINGLE LO.

Utiliser le tableau suivant comme guide lors du réglage des niveaux de chaleur du brûleur de mijotage.

RÉGLAGES DE MIJOTAGE	UTILISATION RECOMMANDÉE
<b>LITE (allumage)</b>	<ul style="list-style-type: none"> <li>■ Pour allumer le brûleur.</li> </ul>
<b>HI (élevé)</b>	<ul style="list-style-type: none"> <li>■ Cuisson d'aliments plus épais tels que sauce tomate, chili.</li> <li>■ Pour mijoter ou étuver les aliments.</li> </ul>
<b>MED (moyen)</b>	<ul style="list-style-type: none"> <li>■ Cuisson d'aliments à moyenne densité tels que veloutés et sauces.</li> </ul>
<b>LO (bas)</b>	<ul style="list-style-type: none"> <li>■ Pour garder les aliments au chaud.</li> <li>■ Pour faire mijoter lentement.</li> </ul>

### Commande des brûleurs (moyen et petit)



**REMARQUE :** Les réglages sont indiqués sur le bouton de commande.

Toutes les commandes de brûleur permettent des réglages de cuisson entre HI et LO.

Le brûleur moyen (12 500 Btu/h) fournit un réglage de chaleur élevé et est idéal pour faire cuire des quantités moyennes d'aliments ou de liquides dans des marmites et casseroles de taille moyenne.

Les petits brûleurs (6 000 Btu/h) sont parfaits pour les petites quantités d'aliments ou de liquides et l'utilisation de petites marmites et casseroles. Le niveau de puissance plus faible permet une commande de mijotage plus précise au réglage le plus bas.

#### Réglage :

1. Pousser et tourner le bouton dans le sens antihoraire à LITE. Tous les brûleurs de surface émettront un déclic. Seul le brûleur dont le bouton de commande est tourné à LITE produira une flamme.

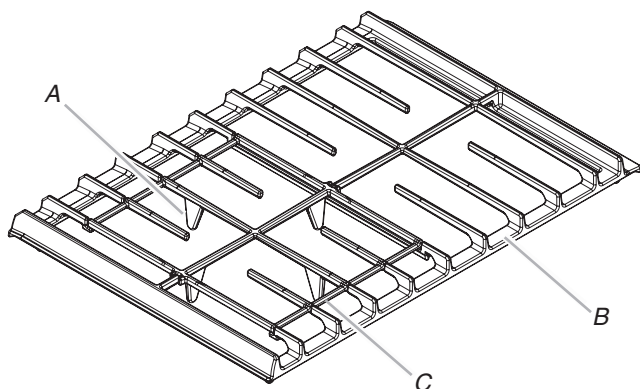
2. Tourner le bouton n'importe où entre HI et LO.

Utiliser le tableau suivant comme guide lors du réglage des niveaux de chaleur.

RÉGLAGE	UTILISATION RECOMMANDÉE
<b>HI (élevé)</b>	<ul style="list-style-type: none"> <li>■ Pour commencer la cuisson des aliments.</li> <li>■ Pour porter un liquide à ébullition.</li> </ul>
<b>Moyen-élevé entre MED et HI</b>	<ul style="list-style-type: none"> <li>■ Pour maintenir une ébullition rapide.</li> <li>■ Pour brunir ou saisir rapidement les aliments.</li> </ul>

RÉGLAGE	UTILISATION RECOMMANDÉE
<b>MED (moyen)</b>	<ul style="list-style-type: none"> <li>■ Pour maintenir une ébullition lente.</li> <li>■ Pour faire frire la volaille ou la viande.</li> </ul>
<b>Moyen-bas entre MED et LO</b>	<ul style="list-style-type: none"> <li>■ Pour faire mijoter ou étuver les aliments.</li> <li>■ Pour faire cuire pudding, sauces, glaçage.</li> </ul>
<b>LO (bas)</b>	<ul style="list-style-type: none"> <li>■ Pour garder les aliments au chaud.</li> <li>■ Pour faire mijoter lentement.</li> </ul>

## Brûleur TripleTier® avec grille InstaWok™



- A. Supports de wok orientés vers le bas (pour utilisation avec un ustensile de cuisson à fond plat)
- B. Table de cuisson avec section pour grille InstaWok™ (côté gauche de la cuisinière seulement)
- C. Section pour grille InstaWok™ réversible

Le brûleur TripleTier® avec grille InstaWok™ est un brûleur multifonctions permettant d'exécuter différentes fonctions de l'ébullition rapide au mijotage à faible puissance.

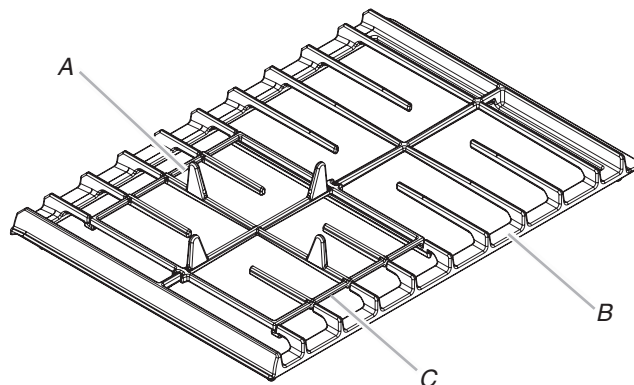
Le brûleur TripleTier® avec grille InstaWok™ fonctionne avec un bouton de commande à double valve qui commande 2 brûleurs séparés. Voir "Brûleur TripleTier® avec brûleur haute puissance et réglages de mijotage à faible puissance" dans la section "Commandes de la table de cuisson".

La grille InstaWok™ supporte des woks de 12" à 14" (30,5 cm à 35,6 cm) et peut être retournée pour servir de grille plate à utiliser pour des ustensiles de cuisson à fond plat.

**IMPORTANT :** La grille InstaWok™ doit être en place lorsqu'on utilise le brûleur TripleTier®.

## Utilisation de la grille InstaWok™ :

1. Vérifier que le bouton de commande est à la position OFF (arrêt) et que la grille a complètement refroidi avant de la manipuler.
2. Retirer la grille de la table de cuisson et retourner la grille de façon à ce que les supports de wok soient orientés vers le haut.



- A. Supports de wok orientés vers le haut
- B. Table de cuisson avec section pour grille InstaWok™ (côté gauche de la cuisinière seulement)
- C. Section pour grille InstaWok™ réversible

3. Placer la grille de wok à l'intérieur des supports.

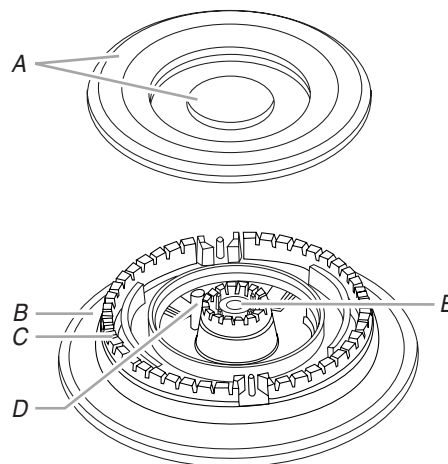
## Brûleurs de surface scellés

**IMPORTANT :** Ne pas entraver l'évacuation de l'air de combustion et de ventilation autour des bords des grilles de brûleur.

## Alignement des chapeaux de brûleur

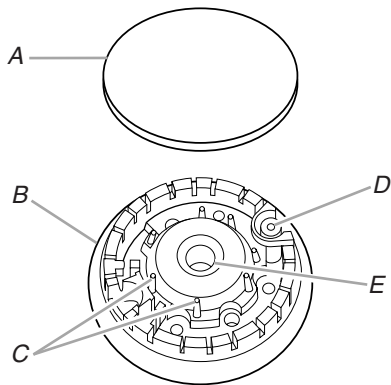
Toujours garder le chapeau de brûleur correctement installé lors de l'utilisation d'un brûleur de surface. Un chapeau de brûleur propre aide à empêcher le mauvais allumage et des flammes inégales. Toujours nettoyer le chapeau du brûleur après un renversement de produits et enlever et nettoyer régulièrement les chapeaux tel qu'indiqué à la section "Nettoyage général".

## Brûleur TripleTier®



- A. Chapeaux de brûleur TripleTier®
- B. Base du brûleur
- C. Tiges d'alignement
- D. Allumeur
- E. Ouverture du tube d'arrivée de gaz

## Brûleur standard



- A. Chapeau de brûleur
- B. Base du brûleur
- C. Tiges d'alignement
- D. Allumeur
- E. Ouverture du tube d'arrivée de gaz

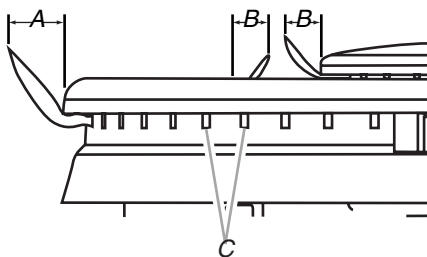
## Ouverture du tube d'arrivée de gaz

Pour que le brûleur s'allume convenablement, il faut que le gaz puisse passer librement à travers l'orifice. Garder cette zone propre et ne pas laisser les produits renversés, les aliments, les agents de nettoyage ou tout autre produit pénétrer dans l'ouverture du tube d'arrivée de gaz. La protéger contre les renversements en utilisant toujours un chapeau de brûleur.

## Orifices de brûleur

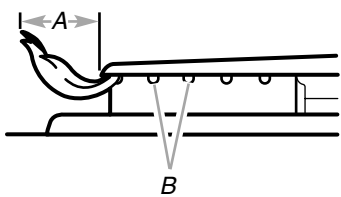
Examiner occasionnellement les flammes des brûleurs pour en vérifier la taille et la forme tel qu'indiqué ci-dessus. Une bonne flamme est bleue plutôt que jaune. Garder cette zone exempte de souillures et ne pas laisser les produits renversés, les aliments, les agents de nettoyage ou tout autre produit pénétrer dans les orifices de brûleur.

## Brûleur TripleTier®



- A.  $\frac{3}{4}$ " (19,1 mm)
- B.  $\frac{3}{8}$ " (9,53 mm)
- C. Orifices de brûleur

## Brûleur standard

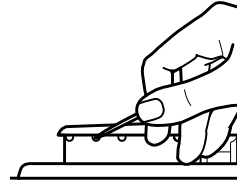


- A.  $1-1\frac{1}{2}$ " (25-38 mm)
- B. Orifices de brûleur

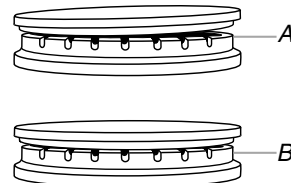
## Nettoyage :

**IMPORTANT :** Avant le nettoyage, s'assurer que toutes les commandes sont éteintes et que le four et la table de cuisson sont froids. Ne pas utiliser de nettoyeurs à four, d'agent de blanchiment ou de décapants à rouille.

1. Enlever le chapeau de brûleur de la base du brûleur et nettoyer tel qu'indiqué à la section "Nettoyage général".
2. Nettoyer l'ouverture de tube d'arrivée de gaz avec un chiffon humide.
3. Nettoyer les orifices de brûleur obstrués avec une épingle droite tel qu'indiqué. Ne pas agrandir ni déformer l'orifice. Ne pas utiliser un cure-dents en bois. Si le brûleur a besoin d'être ajusté, contacter un technicien de réparation qualifié.



4. Réinstaller le chapeau du brûleur et s'assurer que les tiges d'alignement sur le chapeau sont bien alignées avec la base du brûleur.



- A. Incorrect
- B. Correct

5. Allumer le brûleur. Si le brûleur ne s'allume pas, vérifier l'alignement du chapeau. Si le brûleur ne s'allume toujours pas, ne pas réparer vous-même le brûleur scellé. Contacter un technicien de réparation qualifié.

## Ustensiles de cuisson

**IMPORTANT :** Ne pas laisser un ustensile de cuisson vide sur la surface d'une table de cuisson, d'un élément ou d'un brûleur de surface chauds.

Les ustensiles de cuisson idéaux doivent avoir un fond plat, des parois droites, un couvercle qui ferme bien et le matériau doit être d'épaisseur moyenne à forte.

Les surfaces rêches peuvent érafler la table de cuisson ou les grilles. L'aluminium et le cuivre peuvent être employés comme fond ou base dans un ustensile de cuisson. Cependant, utilisés comme base, ils peuvent laisser des marques permanentes sur la table de cuisson ou les grilles.

Le matériau d'un ustensile de cuisson affecte la rapidité et l'uniformité de la transmission de la chaleur, ce qui affecte les résultats de cuisson. Un fini antiadhésif a les mêmes caractéristiques que son matériau de base. Par exemple, un ustensile de cuisson en aluminium avec un fini antiadhésif aura les propriétés de l'aluminium.

Les ustensiles de cuisson avec surface antiadhésive ne doivent pas être utilisés sous l'élément de cuisson au grill.

Utiliser le tableau suivant comme guide pour les caractéristiques du matériau de l'ustensile de cuisson.

USTENSILE	CARACTÉRISTIQUES
<b>Aluminium</b>	<ul style="list-style-type: none"> <li>■ Chauffe rapidement et uniformément.</li> <li>■ Convient à tous les genres de cuisson.</li> <li>■ L'épaisseur moyenne ou forte convient le mieux pour la plupart des tâches de cuisson.</li> </ul>
<b>Fonte</b>	<ul style="list-style-type: none"> <li>■ Chauffe lentement et uniformément.</li> <li>■ Convient pour le brunissage et la friture.</li> <li>■ Maintient la chaleur pour une cuisson lente.</li> </ul>
<b>Céramique ou vitrocéramique</b>	<ul style="list-style-type: none"> <li>■ Suivre les instructions du fabricant.</li> <li>■ Chauffe lentement mais inégalement.</li> <li>■ Les meilleurs résultats sont obtenus sur les réglages de chaleur basse à moyenne.</li> </ul>
<b>Cuivre</b>	<ul style="list-style-type: none"> <li>■ Chauffe très rapidement et de façon uniforme.</li> </ul>

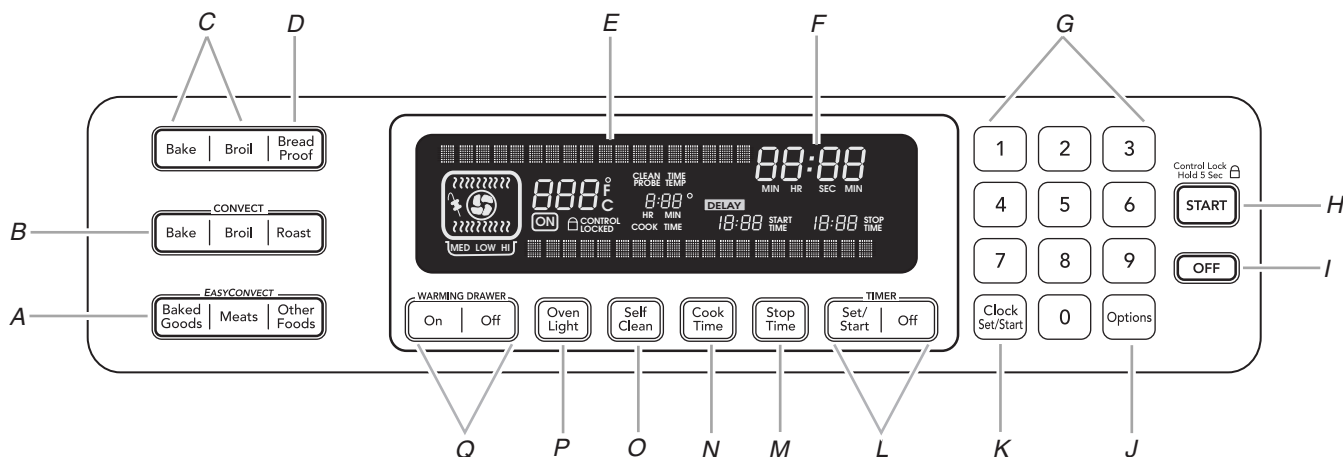
USTENSILE	CARACTÉRISTIQUES
<b>Terre cuite</b>	<ul style="list-style-type: none"> <li>■ Suivre les instructions du fabricant.</li> <li>■ Utiliser des réglages de température basse.</li> </ul>
<b>Acier émaillé (porcelaine) ou fonte émaillée</b>	<ul style="list-style-type: none"> <li>■ Voir acier inoxydable ou fonte.</li> </ul>
<b>Acier inoxydable</b>	<ul style="list-style-type: none"> <li>■ Chauffe rapidement, mais inégalement.</li> <li>■ Un fond ou une base d'aluminium ou de cuivre sur l'acier inoxydable procure un chauffage uniforme.</li> </ul>

### Préparation de conserves à la maison

Lors de la préparation de conserves pendant de longues périodes, alterner l'utilisation des brûleurs de surface entre les quantités préparées. Cette alternance permet aux dernières surfaces utilisées de refroidir.

- Centrer l'autoclave sur la grille au-dessus du brûleur.
- Ne pas placer l'autoclave sur deux brûleurs de surface à la fois.
- Pour plus de renseignements, communiquez avec votre service local d'agriculture. Les compagnies qui fabriquent des produits pour la préparation de conserves peuvent aussi offrir de l'aide.

## COMMANDE ÉLECTRONIQUE TACTILE EN VERRE DU FOUR



A. Conversion EasyConvect™  
 B. Réglages du four à convection  
 C. Réglages du four  
 D. Réglage de la levée du pain  
 E. Afficheur du four  
 F. Afficheur horloge/heure

G. Touches numériques  
 H. Mise en marche (verrouillage des commandes)  
 I. Arrêt  
 J. Touche de sélection des options  
 K. Réglage/mise en marche de l'horloge  
 L. Minuterie

M. Heure d'arrêt  
 N. Durée de cuisson  
 O. Autonettoyage  
 P. Lampe du four (marche/arrêt)  
 Q. Commandes du tiroir-réchaud

### Touches de commande électroniques

Lorsqu'on appuie sur une touche de commande de fonction sur la commande électronique du four, appuyer sur la fonction désirée du bout du doigt. Appuyer sur la touche pendant quelques secondes, ou jusqu'à ce que la fonction désirée apparaisse sur l'afficheur.

Lorsqu'on entre de multiples fonctions dans un réglage, faire une brève pause entre chaque commande. Si l'on appuie sur une touche de commande plusieurs fois de façon répétée, il se peut que la touche cesse de fonctionner pendant un court moment. Attendre quelques secondes, et la touche devrait fonctionner à nouveau normalement.

---

## Afficheurs du four

Lorsqu'on utilise le four, l'afficheur indique la température du four, les sources de chaleur et l'heure de mise en marche. Lors de la cuisson minutée, cet afficheur présente également un compte à rebours minuté et l'heure d'arrêt (si entrée).

Si "Err" apparaît sur l'afficheur, c'est qu'on a appuyé sur la mauvaise touche. Appuyer sur OFF (arrêt) puis recommencer. Lorsque le four n'est pas utilisé, cet affichage est vierge.

---

### Start (mise en marche)

La touche START démarre toutes les fonctions du four à l'exception de la minuterie, du verrouillage des commandes et du mode Sabbath. Si l'on n'appuie pas sur cette touche dans les 5 secondes après avoir appuyé sur une touche, "START?" apparaît sur l'afficheur du four à titre de rappel. Si l'on n'appuie pas sur cette touche dans les 5 minutes après avoir appuyé sur une touche, l'afficheur du four retourne au mode inactif (vierge) et la fonction programmée est annulée.

Si une fonction est en cours et qu'une fonction différente est sélectionnée, "START?" apparaît sur l'afficheur après 5 secondes. Si l'on n'appuie pas sur la touche START dans les 5 secondes, l'afficheur du four retourne à la fonction active/déjà en cours.

---

### Control Lock (verrouillage des commandes)

La caractéristique de verrouillage des commandes désactive les touches du tableau de commande pour éviter l'utilisation involontaire du four.

La caractéristique de verrouillage des commandes peut être utilisée lorsque la cuisinière est en cours d'utilisation ou éteinte (par exemple, durant le nettoyage).

Le verrouillage des commandes est pré-réglé désactivé, mais peut être activé.

Lorsque le tableau de commande est verrouillé, seules les touches TIMER SET/START (réglage/mise en marche de la minuterie), TIMER OFF (arrêt de la minuterie) et OVEN LIGHT (lampe du four) fonctionnent.

**Pour verrouiller/déverrouiller les commandes :** Avant de verrouiller, s'assurer que le four, la minuterie et la cuisson minutée sont désactivés. Appuyer sur la touche START (mise en marche) pendant 5 secondes, jusqu'à ce que "CONTROL LOCK" (verrouillage des commandes) apparaisse sur l'afficheur. Répéter pour déverrouiller et effacer "CONTROL LOCK" de l'afficheur.

---

### Off (arrêt)

La touche OFF arrête toutes les fonctions du four à l'exception du tiroir-réchaud, de l'horloge, de la minuterie et du verrouillage des commandes.

---

### Affichage horloge/minuterie

Il s'agit d'une horloge de 12 heures.

1. Appuyer sur CLOCK SET/START (réglage/mise en marche de l'horloge).
  2. Appuyer sur les touches numériques pour régler l'heure.
  3. Appuyer sur CLOCK SET/START.
- 

---

## Minuterie

La minuterie peut être réglée en minutes et secondes ou en heures et minutes et procède à un compte à rebours de la durée réglée.

**REMARQUE :** La minuterie ne met pas en marche le four et ne l'éteint pas.

1. Appuyer sur TIMER SET/START (réglage/mise en marche de la minuterie).  
Appuyer à nouveau pour passer des MIN/SEC aux HR/MIN.
2. Appuyer sur les touches numériques pour régler la durée.
3. Appuyer sur TIMER SET/START (réglage/mise en marche de la minuterie) pour mettre la minuterie en marche.  
À la fin de la durée réglée, les signaux sonores de fin de la minuterie sont émis, suivis des signaux de rappel environ toutes les 10 secondes.
4. Appuyer sur TIMER OFF (arrêt de la minuterie) à tout moment pour annuler la minuterie et/ou arrêter les signaux de rappel.  
Si on appuie sur OFF (arrêt), le four s'éteint.

La durée peut être réglée de nouveau durant le compte à rebours en répétant les étapes ci-dessus.

---

## OPTIONS

### Touche de sélection des options

La touche de sélection des OPTIONS vous permet d'accéder à des fonctions spéciales dans la commande électronique du four, ce qui vous permet de personnaliser votre appareil selon vos besoins. Ces fonctions spéciales permettent de changer la température du four de Fahrenheit à Celsius, de mettre en marche ou d'éteindre les signaux sonores et les messages/guides et d'ajuster le calibrage du four. Les modes Sabbath (Sabbat) et Dehydrate (déshydratation) peuvent également être programmés en utilisant la touche de sélection des OPTIONS.

#### Utilisation :

Appuyer sur OPTIONS. L'afficheur du four fait défiler les différentes options, en commençant par 1 et en finissant par 7. On peut aussi appuyer sur la touche de sélection des OPTIONS et sur une touche numérique pour accéder rapidement à la fonction cachée désirée.

OPTIONS	FONCTION SPÉCIALE
1	Conversion Fahrenheit et Celsius
2	Signaux sonores On/Off (marche/arrêt)
3	Signaux sonores High/Low (élevé/bas)
4	Signaux sonores de fin de cuisson On/Off (marche/arrêt)
5*	Dehydrate (déshydrater)
6	Calibrage de la température du four
7	Mode Sabbath

---

\*Seulement disponible sur les modèles à convection.

---

### Fahrenheit et Celsius - Option 1

Le réglage de température par défaut est en Fahrenheit, mais on peut le convertir en Celsius.

**Modification :** Appuyer sur OPTIONS, puis sur 1 sur le clavier pour les degrés Celsius. Pour revenir en degrés Fahrenheit, appuyer sur OPTIONS, puis à nouveau sur 1 sur le clavier.

## Signaux sonores - Options 2, 3, 4

Les signaux sonores indiquent ce qui suit :

### Un bip

- Fonction entrée

### Trois bips

- Appui sur une touche non valide

### Signal de fin de préchauffage

Une sonnerie indique qu'un programme de préchauffage a été effectué.

### Signaux de fin de minuterie

Trois sonneries retentissent lorsque la minuterie atteint zéro. Ceci peut se produire lorsqu'on utilise la minuterie pour des fonctions autres que la cuisson.

### Signaux sonores de fin de cuisson

Trois bips indiquent la fin d'un programme de cuisson.

### Tous les signaux sonores ON/OFF (marche/arrêt)

Tous les signaux sonores sont pré-réglés sur ON (marche), mais peuvent être désactivés (OFF).

**Modification :** Appuyer sur OPTIONS, puis sur 2 pour désactiver les signaux sonores. Pour activer les signaux sonores, appuyer à nouveau sur OPTIONS, puis sur 2.

### Volume du signal sonore HIGH/LOW (élevé/bas)

Le volume est pré-réglé au niveau HIGH (élevé) mais il peut être changé pour un niveau LOW (bas).

**Modification :** Appuyer sur OPTIONS, puis sur 3 pour LOW (bas). Appuyer sur OPTIONS, puis sur 3 pour HIGH (élevé).

### Signaux sonores de fin de cuisson ON/OFF (marche/arrêt)

Tous les signaux sonores sont pré-réglés à ON (marche), mais peuvent être désactivés (OFF).

**Modification :** Appuyer sur OPTIONS, puis sur 4 pour désactiver les signaux sonores. Pour activer les signaux sonores, appuyer à nouveau sur OPTIONS, puis sur 4.

## Déshydrater - Option 5

(sur les modèles à convection, porte fermée)

La déshydratation est une méthode utilisée pour conserver la nourriture. De nombreux facteurs, tels que la qualité de la nourriture fraîche, les techniques de prétraitement, la taille et l'épaisseur des aliments, ainsi que le climat, peuvent affecter le produit fini.

Pendant la déshydratation, la chaleur est utilisée pour expulser l'humidité et la circulation d'air est utilisée pour déplacer l'humidité.

Consulter un manuel ou une source fiable pour obtenir des renseignements complets concernant la déshydratation et la conservation de la nourriture.

## Déshydratation :

Positionner les grilles selon le tableau suivant. Voir la section "Positionnement des grilles et ustensiles de cuisson" pour le schéma.

NOMBRE DE GRILLES	POSITION(S) DE LA GRILLE
1	3
2	2 et 4
3	1, 3 et 5

1. Fermer la porte du four.
2. Appuyer sur OPTIONS puis sur 5.  
Appuyer sur les touches numériques pour entrer une température autre que 140°F (60°C). La température de déshydratation peut être réglée entre 100°F et 200°F (38°C et 93°C).
3. Appuyer sur START (mise en marche).
4. Appuyer sur OFF (arrêt) après avoir terminé la déshydratation.

**REMARQUE :** Le four s'éteint automatiquement après 12 heures. Cependant, certains aliments peuvent nécessiter plus de 12 heures de déshydratation. Dans ce cas, le four devra être remis en marche.

## Calibrage de la température du four - Option 6

**IMPORTANT :** Ne pas utiliser de thermomètre pour mesurer la température du four car l'ouverture de la porte du four pendant un programme peut provoquer des lectures incorrectes.

Le four fournit des températures précises; toutefois, il peut cuire plus rapidement ou plus lentement que votre ancien four, de sorte que le calibrage de la température peut être ajusté. Il peut être changé en degrés Fahrenheit ou en Celsius.

Un signe moins signifie que le four sera plus froid du nombre de degrés affiché. L'absence signifie que le four sera plus chaud du nombre de degrés affiché. Utiliser le tableau suivant comme guide.

AJUSTEMENT EN °F (CHANGEMENT AUTOMATIQUE EN °C)	CUIT LES ALIMENTS
10°F (5°C)	...un peu plus
20°F (10°C)	...modérément plus
30°F (15°C)	...beaucoup plus
-10°F (-5°C)	...un peu moins
-20°F (-10°C)	...modérément moins
-30°F (-15°C)	...beaucoup moins

### Ajustement du calibrage de la température du four :

1. Appuyer sur OPTIONS, puis sur 6 pour régler le calibrage.
2. Appuyer sur 3 pour augmenter la température ou appuyer sur 6 pour la réduire.
3. Appuyer sur START (mise en marche) pour arrêter le calibrage.



## Mode Sabbat - Option 7

Le mode Sabbat permet au four de demeurer sur un réglage de cuisson au four jusqu'à ce qu'on l'éteigne. Un mode Sabbat minuté peut également être programmé pour garder le four allumé seulement pendant une partie du mode Sabbat.

Lorsque le mode Sabbat est programmé, seules les touches numériques et de mise en marche fonctionnent; aucun signal sonore ne retentira et les afficheurs n'indiqueront aucun message ou changement de température. Les icônes de source de chaleur s'allumeront sur l'afficheur du four pendant toute la durée du mode Sabbat.

Lorsque la porte du four est ouverte ou fermée, la lampe du four ne s'allume ou ne s'éteint pas et les éléments de chauffage ne s'allument ou ne s'éteignent pas immédiatement.

Si une panne de courant survient lorsque le mode Sabbat est réglé, le four conserve le mode Sabbat activé mais ne cuit plus. Le témoin lumineux "ON" (marche) ne sera plus allumé. Appuyer sur OFF (arrêt) pour revenir à un mode de fonctionnement normal (pas de mode Sabbat actif, pas de cuisson).

### Activation :

**IMPORTANT :** Avant de pouvoir régler régulièrement le mode Sabbat, le four doit être activé une seule et unique fois.

1. Ouvrir la porte du four.
2. Appuyer sur OFF (arrêt).
3. Appuyer sur les touches numériques 7, 8, 9, 6, dans cet ordre.
4. Appuyer sur START (mise en marche) pour activer la fonction. "SABBATH ENABLED" (Sabbat activé) apparaît sur l'afficheur.
5. Appuyer sur OFF (arrêt) pour effacer l'affichage.

### Désactivation :

Le four peut être désactivé de la capacité à régler le mode Sabbat en répétant les étapes indiquées à la section "Activation" qui précède. Lorsqu'il est désactivé, le mode Sabbat ne peut être réglé normalement jusqu'à ce qu'il soit réactivé.

#### Pour un réglage normal, non minuté :

1. Appuyer sur BAKE (cuisson au four). Appuyer sur les touches numériques pour entrer une température autre que 325°F (163°C). La température de cuisson au four peut être réglée entre 170°C et 500°F (77°C et 260°C).
2. Appuyer sur START (mise en marche). Le four commence un programme de cuisson.
3. Appuyer sur OPTIONS puis appuyer sur la touche numérique 7.
4. "SABBATH MODE" (mode Sabbat) apparaît sur l'afficheur du four.

#### Pour un réglage normal, minuté :

## AVERTISSEMENT

### Risque d'empoisonnement alimentaire

**Ne pas laisser des aliments dans un four plus d'une heure avant ou après la cuisson.**

**Le non-respect de cette instruction peut causer un empoisonnement alimentaire ou une maladie.**

1. Appuyer sur BAKE (cuisson au four). Appuyer sur les touches numériques pour entrer une température autre que 325°F (163°C). La température de cuisson au four peut être réglée entre 170°C et 500°F (77°C et 260°C).

2. Appuyer sur COOK TIME (durée de cuisson).
3. Appuyer sur les touches numériques pour entrer la durée du mode Sabbat, jusqu'à 11 heures 59 minutes.
4. Appuyer sur START (mise en marche). Le four commence un programme de cuisson minuté. L'heure de mise en marche et d'arrêt apparaissent sur l'afficheur.
5. Appuyer sur OPTIONS, puis sur la touche numérique 7. "SABBATH MODE" apparaît sur l'afficheur.
6. Lorsque l'heure d'arrêt est atteinte, le four s'éteint automatiquement. La commande du four reste en mode Sabbat actif jusqu'à ce qu'on appuie sur le bouton OFF.

### Changement de température

La température du four peut être modifiée lorsque le(s) four(s) est/ sont au mode Sabbat. Aucun signal sonore ne retentira et l'affichage ne changera pas. Les éléments chauffants ne s'allumeront ou ne s'éteindront pas pendant un certain temps, entre 16 et 24 secondes. Le changement de température du four peut prendre jusqu'à une demi-heure.

Les touches numériques de 1 à 0 représentent diverses températures. Utiliser le tableau suivant comme guide.

TOUCHE NUMÉRIQUE	TEMPÉRATURE DU FOUR
1	170°F (77°C)
2	200°F (95°C)
3	225°F (107°C)
4	250°F (120°C)
5	300°F (149°C)
6	325°F (163°C)
7	350°F (177°C)
8	375°F (191°C)
9	400°F (204°C)
0	450°F (232°C)

### Pour changer la température :

1. Appuyer sur la touche numérique indiquée dans le tableau.
2. Appuyer sur START (mise en marche).

### Fonctionnement du tiroir-réchaud pendant le mode Sabbat

Le tiroir-réchaud peut être utilisé pendant le mode Sabbat. Ceci peut s'effectuer en appuyant sur la touche WARMING DRAWER ON (tiroir-réchaud activé) (appui continu jusqu'à ce que la température désirée s'affiche) avant que le four soit réglé au mode Sabbat. Voir la section "Pour un réglage normal, non minuté" pour des instructions sur le réglage du four en mode Sabbat. Une fois que le four est en mode Sabbat, le tiroir-réchaud ne peut être allumé ou éteint et sa température ne peut être modifiée tant que le four n'est pas revenu en fonctionnement normal (pas de mode Sabbat actif, pas de cuisson) en appuyant sur la touche OFF (arrêt).



# UTILISATION DU FOUR

Les odeurs et la fumée sont normales lorsque le four est utilisé pour les premières fois ou lorsqu'il est très sale.

**IMPORTANT :** La santé de certains oiseaux est extrêmement sensible aux émanations. L'exposition à ces émanations peut causer la mort de certains oiseaux. Toujours déplacer les oiseaux dans une autre pièce fermée et bien aérée.

**REMARQUE :** Ce four s'ajuste automatiquement pour un fonctionnement à 208 V sans affecter le rendement de cuisson. Les temps de préchauffage peuvent être plus longs.

## Papier d'aluminium

**IMPORTANT :** Pour éviter des dommages permanents au fini du fond du four, ne pas recouvrir le fond du four avec du papier d'aluminium ou un revêtement quelconque.

- Pour assurer une bonne circulation de l'air et des résultats de cuisson optimaux, ne pas recouvrir la grille entière de papier d'aluminium.
- Pour récupérer les renversements, placer une feuille de papier d'aluminium sur la grille sur laquelle le plat est placé. Veiller à ce que la feuille d'aluminium dépasse d'au moins ½" (1,3 cm) tout autour du plat et à ce que les bords soient relevés.

## Ustensiles de cuisson au four

Le matériau des ustensiles de cuisson au four affecte les résultats de cuisson. Suivre les recommandations du fabricant et utiliser le format d'ustensiles recommandé dans la recette. Se servir du tableau suivant comme guide.

USTENSILES DE CUISSON AU FOUR/ RÉSULTATS	RECOMMANDATIONS
<b>Aluminium légèrement coloré</b> <ul style="list-style-type: none"><li>■ Croûtes dorées, légères</li><li>■ Brunissage uniforme</li></ul>	<ul style="list-style-type: none"><li>■ Utiliser la température et la durée recommandées dans la recette.</li></ul>
<b>Aluminium foncé et autres ustensiles de cuisson au four avec fini foncé, terne et/ou antiadhésif</b> <ul style="list-style-type: none"><li>■ Croûtes brunes, croustillantes</li></ul>	<ul style="list-style-type: none"><li>■ Peut nécessiter de réduire légèrement les températures de cuisson.</li><li>■ Utiliser la durée de cuisson suggérée.</li><li>■ Pour les tartes, pains et mets en sauce, utiliser la température recommandée dans la recette.</li><li>■ Placer la grille au centre du four.</li></ul>
<b>Tôles à biscuits ou moules à cuisson à isolation thermique</b> <ul style="list-style-type: none"><li>■ Brunissage faible ou non existant à la base</li></ul>	<ul style="list-style-type: none"><li>■ Placer à la troisième position au bas du four.</li><li>■ Peut nécessiter d'augmenter le temps de cuisson.</li></ul>
<b>Acier inoxydable</b> <ul style="list-style-type: none"><li>■ Croûtes dorées, légères</li><li>■ Brunissage inégal</li></ul>	<ul style="list-style-type: none"><li>■ Peut nécessiter d'augmenter le temps de cuisson.</li></ul>

## USTENSILES DE CUISSON AU FOUR/ RÉSULTATS

## RECOMMANDATIONS

### Plats en grès/Pierre de cuisson

- Croûtes croustillantes

- Suivre les instructions du fabricant.

### Plats en verre, vitrocéramique ou céramique allant au four

- Croûtes brunes, croustillantes

- Peut nécessiter de réduire légèrement la température de cuisson.

## Thermomètre à viande

Sur les modèles sans sonde thermométrique, se servir d'un thermomètre à viande pour vérifier si la viande, la volaille et le poisson ont atteint le degré de cuisson désiré. C'est la température interne qui indique le degré de cuisson et non l'apparence. Il n'y a pas de thermomètre à viande fourni avec cet appareil. Suivre les instructions du fabricant pour l'emploi d'un thermomètre à viande.

## Sonde thermométrique (sur les modèles à convection)

### ⚠ AVERTISSEMENT



#### Risque de brûlures

Utiliser des mitaines de four pour retirer la sonde thermométrique.

Ne pas toucher l'élément du grill.

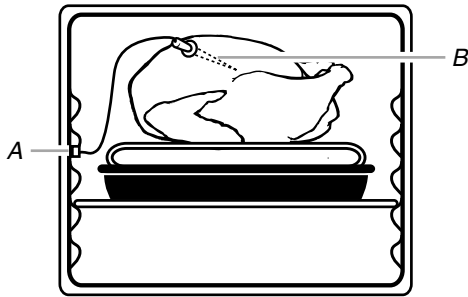
Le non-respect de ces instructions peut causer des brûlures.

La sonde thermométrique mesure précisément la température interne de la viande, de la volaille et des mets en sauce liquides et doit être utilisée pour déterminer le degré de cuisson de la viande et de la volaille. Elle ne doit pas être utilisée en même temps que le grill central et complet, le grill par convection, la déshydratation ou lorsqu'on fait lever du pain.

Toujours débrancher et retirer la sonde thermométrique du four lorsqu'on retire la nourriture.

## Utilisation :

Avant l'utilisation, insérer la sonde au centre de la partie la plus épaisse de la viande ou à l'intérieur de la cuisse ou poitrine de poulet, loin de la graisse et des os à un angle tel qu'illustré sur le schéma suivant. Placer les aliments dans le four et connecter la sonde thermométrique à la prise. Garder autant que possible la sonde loin d'une source de chaleur. Fermer la porte du four.



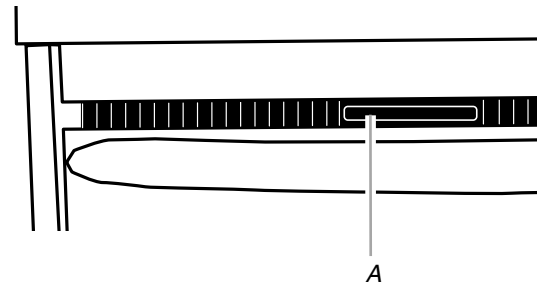
A. Connecteur de la sonde thermométrique  
B. Sonde thermométrique

1. Appuyer sur les touches numériques pour régler la température de la sonde. La température de la sonde peut être réglée entre 130°F et 190°F (54°C et 88°C).
2. Appuyer sur BAKE (cuisson au four), CONVECT BAKE (cuisson au four par convection) ou CONVECT ROAST (rôtissage par convection).  
Appuyer sur les touches numériques pour entrer une température autre que celle qui est affichée.
3. Appuyer sur START (mise en marche).  
La température de four réglée apparaîtra sur l'afficheur du four pendant la cuisson.  
"Lo" apparaîtra comme la température de la sonde jusqu'à ce que la température interne des aliments atteigne 130°F (54°C) ou que la sonde soit débranchée. L'afficheur montrera ensuite l'augmentation de la température par intervalles de 1°F.  
Lorsque la température réglée pour la sonde est atteinte, le four s'arrête automatiquement et "Cooking complete" (Cuisson terminée) apparaît sur l'afficheur du four.  
Si activés, les signaux sonores de fin de programme se font entendre.
4. Appuyer sur OFF (arrêt) ou ouvrir la porte du four pour effacer l'affichage.

## Pour modifier la température de la sonde, le réglage du four :

Appuyer sur OFF (arrêt), puis répéter les étapes précédentes.  
Après la cuisson, débrancher la sonde et retirer les aliments du four. Le symbole de la sonde restera allumé jusqu'à ce que la sonde soit débranchée.  
Voir la section "Nettoyage général" pour nettoyer la sonde.

## Évent du four



A. Évent du four

Ne pas obstruer ni couvrir l'évent du four car il permet à l'air chaud et à l'humidité de s'échapper du four. Son obstruction nuirait à la circulation adéquate de l'air et affecterait les résultats de cuisson et de nettoyage. Ne pas placer près de l'évent du four des produits en plastique, en papier ou autres articles qui pourraient fondre ou brûler.

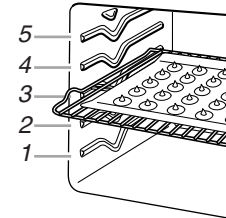
## Positionnement des grilles et des ustensiles de cuisson

**IMPORTANT :** Pour éviter des dommages permanents au fini en porcelaine, ne pas placer d'aliments ou d'ustensiles de cuisson directement sur la porte ou le fond du four.

### GRILLES

- Placer les grilles avant d'allumer le four.
- Ne pas installer les grilles lorsque des ustensiles de cuisson se trouvent dessus.
- S'assurer que les grilles sont d'aplomb.

Pour déplacer une grille, la tirer jusqu'à la butée d'arrêt, soulever le rebord avant et la tirer pour la sortir du four. Se servir de l'illustration et du tableau suivants comme guide.



## Cuisson traditionnelle

ALIMENT	POSITION DE LA GRILLE*
Gros rôtis, dindes, gâteaux des anges et gâteaux Bundt, pains éclairs, tartes	1 ou 2
Pains à la levure, mets en sauce, viande et volaille	2
Biscuits, muffins et gâteaux	2 ou 3

\*Sur les modèles dotés de la caractéristique CleanBake™, les aliments peuvent être placés sur une grille placée plus bas.

## Cuisson par convection

RÉGLAGE DU FOUR	NOMBRE DE GRILLES UTILISÉES	POSITION(S) DE LA GRILLE
Cuisson au four par convection	1	1, 2 ou 3
Cuisson au four par convection	2	1 ou 2 et 4
Cuisson au four par convection	3	1, 3 et 5
Rôtissage par convection	1	1, 2 ou 3
Cuisson au gril par convection	1	3 ou 4

## USTENSILES DE CUISSON

L'air chaud doit pouvoir circuler autour de l'aliment pour le cuire uniformément. Pour une cuisson traditionnelle, laissez 2" (5 cm) entre les ustensiles de cuisson et les parois du four. Pour une cuisson par convection, laissez 1" (2,5 cm) entre les ustensiles de cuisson et les parois du four. Utilisez le tableau suivant comme guide.

NOMBRE D'USTENSILES	POSITION SUR LA GRILLE
1	Centre de la grille.
2	Côte à côte ou légèrement décalés.
3 ou 4	Emplacements procurant les meilleurs résultats. S'assurer qu'aucun ustensile de cuisson ne se trouve directement au-dessus d'un autre.

## Cuisson au four

La fonction BAKE est idéale pour la cuisson au four, le rôtissage ou pour faire chauffer des aliments.

Durant la cuisson au four ou le rôtissage, les éléments de cuisson au four et de gril s'allument et s'éteignent par intermittence afin de maintenir la température du four.

Si la porte du four est ouverte durant la cuisson au four ou le rôtissage, l'élément du gril s'éteint immédiatement et l'élément de cuisson au four s'éteint au bout de 30 secondes à 2 minutes. Ils se rallumeront une fois la porte fermée.

### Cuisson au four ou rôtissage :

Avant la cuisson au four et le rôtissage, placez les grilles tel qu'indiqué à la section "Positionnement des grilles et des ustensiles de cuisson".

Pour la cuisson au four, laissez la cuisinière préchauffer avant de placer des aliments dans le four. Lors du rôtissage, il n'est pas nécessaire de préchauffer le four avant d'y placer l'aliment, sauf si la recette le recommande.

1. Appuyer une fois sur BAKE (cuisson au four) pour chauffer à 350°F (177°C), ou appuyer sur les touches numériques pour entrer la température désirée.
2. Appuyer sur START (mise en marche).

L'afficheur indique "Preheating" (préchauffage) jusqu'à ce que la température réglée soit atteinte.

"Lo" apparaît aussi sur l'afficheur si la température réelle du four est inférieure à 170°F (77°C).

Lorsque la température réelle du four atteint 170°F (77°C), l'afficheur du four indique les augmentations de température par tranches de 1°.

Lorsque la température réglée est atteinte, un signal sonore se fait entendre (si activé).

3. Appuyer sur OFF (arrêt) lorsque la cuisson est terminée.

## Cuisson au gril

La cuisson au gril utilise la chaleur radiante directe pour cuire les aliments. Il y a deux choix de gril, Full Broil (gril complet) et Center Broil (gril central). Le gril complet utilise les deux éléments supérieurs pour un brunissement maximal des aliments. Le gril central utilise l'élément interne pour le brunissage d'une plus petite zone.

- Pour obtenir les meilleurs résultats, utiliser une lèchefrite et une grille. Elles sont conçues pour laisser s'écouler les jus et aider à éviter les éclaboussures et la fumée.  
  
Il est possible de commander un ensemble de lèchefrite. Voir la section "Assistance ou service" pour commander.
- Pour un écoulement approprié, ne pas couvrir la grille de papier d'aluminium. Le fond de la lèchefrite peut être garni de papier d'aluminium pour en faciliter le nettoyage.
- Enlever l'excès de gras pour réduire les éclaboussures. Entailler le gras résiduel sur les côtés pour éviter le cintrage de la viande.
- Sortir la grille jusqu'à la butée d'arrêt avant de tourner ou d'enlever les aliments. Utiliser des pinces pour tourner les aliments afin d'éviter la perte de jus. Il est possible qu'il ne soit pas nécessaire de tourner les coupes très minces de poisson, de volaille ou de viande.
- Après la cuisson au gril, sortir la lèchefrite du four en même temps que l'aliment. Ce qui reste au fond de la lèchefrite cuira si on la laisse dans le four encore chaud, rendant le nettoyage plus difficile.
- Si la porte du four est ouverte durant la cuisson au gril, l'élément du gril s'éteint automatiquement et revient en fonction une fois la porte fermée.

Avant la cuisson au gril, placer la grille tel qu'indiqué dans le tableau de cuisson au gril. Il n'est pas nécessaire de préchauffer le four avant d'y placer l'aliment, sauf si la recette le recommande. Placer l'aliment sur la grille de la lèchefrite, puis placer celle-ci au centre de la grille du four.

Fermer la porte pour un fonctionnement correct du gril.

### Cuisson au gril :

1. Appuyer une fois sur BROIL (cuisson au gril) pour FULL BROIL (gril complet) ou deux fois pour CENTER BROIL (gril central).  
  
Choisir Full Broil (gril complet) pour faire griller de grandes quantités d'aliments avec les deux éléments de gril. Choisir Center Broil (gril central) pour faire griller de plus petites quantités d'aliments avec uniquement l'élément de gril interne.
2. Appuyer sur START (mise en marche).
3. Appuyer sur OFF (arrêt) après avoir terminé.

### Cuisson au gril à température variable

Le changement de température lors de la cuisson au gril à température variable permet un contrôle plus précis de la cuisson. Plus la température est basse, plus la cuisson est lente. Des coupes plus épaisses et des morceaux de viande, de poisson et de volaille de forme inégale cuisent mieux à des températures de cuisson au gril plus basses.

## Utilisation :

1. Fermer la porte du four.
2. Appuyer une fois sur BROIL (cuisson au gril) pour FULL BROIL (gril complet) ou deux fois pour CENTER BROIL (gril central).
3. Appuyer sur les touches numériques pour régler une température entre 300°F et 500°F (149°C à 260°C).
4. Appuyer sur START (mise en marche).  
La température peut être changée après cette étape.  
Appuyer sur les touches numériques pour réinitialiser la température, puis appuyer sur START (mise en marche).
5. Appuyer sur OFF (arrêt) après avoir terminé.

## TABLEAU DE CUISSON AU GRIL

Pour obtenir les meilleurs résultats, placer l'aliment à au moins 3" (7 cm) de l'élément du gril. Les durées de cuisson sont citées à titre indicatif seulement; on peut les régler en fonction des goûts personnels. Les positions recommandées de la grille sont indiquées de la base (1) jusqu'en haut (4). Pour le schéma, voir la section "Positionnement des grilles et ustensiles de cuisson".

ALIMENT	POSITION DE LA GRILLE	TEMP.	TOTAL DURÉE MIN.
<b>Steak</b> 1" (2,5 cm) d'épaisseur saignant à point	4		14
à point	4	500°F (260°C)	16
bien cuit	4		18
<b>Steak</b> 1 ½" (3,8 cm) d'épaisseur saignant	4	500°F (260°C)	23
à point	4		28
<b>Galettes de viande hachée*</b> 1" (2,5 cm) d'épaisseur bien cuites	4	500°F (260°C)	16-18
<b>Côtelettes de porc</b> 1" (2,5 cm) d'épaisseur	4	450°F (232°C)	25-28
<b>Tranche de jambon</b> [précuit] ½" (1,25 cm) d'épaisseur	4	500°F (260°C)	10-12
1" (2,5 cm) d'épaisseur	4		20-22
<b>Saucisses de Francfort</b>	4	500°F (260°C)	8
<b>Côtelettes d'agneau</b> 1" (2,5 cm) d'épaisseur	4	400°F (204°C)	18-20
<b>Poulet</b> morceaux avec os	3	500°F (260°C)	32
<b>Poisson</b> ½" (1,25 cm) d'épaisseur	3	350°F (177°C)	20
1" (2,5 cm) d'épaisseur	3		20-22

\*Placer jusqu'à 9 galettes, à distance égale, sur la grille de la lèchefrite.

## Cuisson par convection

(sur certains modèles)

Dans un four à convection, l'air chaud que fait circuler le ventilateur distribue la chaleur de façon continue et plus uniformément que le mouvement naturel de l'air dans un four thermique standard. Ce déplacement de l'air chaud aide à maintenir une température constante dans tout le four, permettant de cuire les aliments plus uniformément, en plus de donner des surfaces et du pain croustillants tout en conservant l'humidité.

La plupart des aliments peuvent être cuits en réduisant les températures de cuisson de 25°F à 50°F (14°C à 28°C) et la durée de cuisson peut être réduite jusqu'à 30 pour cent, surtout pour les gros rôtis et dindes.

- Il est important de ne pas couvrir les aliments avec des couvercles ou du papier d'aluminium de telle sorte que la surface reste exposée au déplacement de l'air, permettant ainsi le brunissage et le croustillant.
- Éviter au maximum la perte de chaleur en ouvrant la porte du four seulement lorsque c'est nécessaire.
- Choisir des tôles à biscuits sans bord et des plats de rôtissage à côtés plus bas pour permettre à l'air de circuler librement autour de l'aliment.
- Vérifier le degré de cuisson des aliments quelques minutes avant le temps de cuisson minimum, en utilisant un cure-dents par exemple.

## ⚠ AVERTISSEMENT



### Risque de brûlures

Utiliser des mitaines de four pour retirer la sonde thermométrique.

Ne pas toucher l'élément du gril.

Le non-respect de ces instructions peut causer des brûlures.

- Utiliser un thermomètre à viande ou la sonde thermométrique (sur certains modèles) pour déterminer le degré de cuisson des viandes et de la volaille.

## Conversion EasyConvect™

(sur certains modèles)

Les températures et durées de cuisson par convection peuvent différer de celles d'une cuisson standard. Selon la catégorie sélectionnée, la conversion EasyConvect™ peut réduire automatiquement les températures et/ou durées de cuisson des recettes standard pour la cuisson par convection.

Les aliments sont regroupés en 3 grandes catégories. Choisir la catégorie qui correspond le mieux à l'aliment qui doit être cuit. Afin d'assurer des résultats de cuisson optimaux, le four vous incitera à vérifier la cuisson des aliments à la fin de la période de cuisson non différée.

Utiliser le tableau suivant comme guide.

RÉGLAGE	ALIMENTS
<b>VIANDE</b>	<b>Pommes de terre au four, poulet</b> : entier et en morceaux <b>Pain de viande, rôtis</b> : porc, bœuf et jambon (Les dindes et les grosses volailles ne sont pas mentionnées car leur durée de cuisson est variable.)
<b>PRODUITS DE BOULANGERIE</b>	<b>Biscuits, pains</b> : à cuisson rapide, à levure <b>Gâteaux et biscuits</b> <b>Plats en sauce</b> : y compris les plats surgelés et les soufflés <b>Poisson</b>
<b>AUTRES ALIMENTS</b>	<b>Plats cuisinés</b> : frites, pépites, bâtonnets de poisson, pizza <b>Tartes</b> : fruits et flan

#### Utilisation :

Lors de l'utilisation de la conversion de température de cuisson par convection pour BAKED GOODS (produits de boulangerie) et OTHER FOODS (autres aliments), laisser le four préchauffer avant de placer les aliments dans le four.

1. Appuyer sur MEATS (viandes), BAKED GOODS (produits de boulangerie) ou OTHER FOODS (autres aliments).
2. Appuyer sur les touches numériques pour entrer la température de cuisson standard.
3. Appuyer sur les touches numériques pour entrer la durée de cuisson standard.
4. Appuyer sur START (mise en marche).  
"CHECK FOOD AT" (vérifier les aliments à) et l'heure d'arrêt apparaissent sur l'afficheur, après la fin du préchauffage.  
Lorsque l'heure d'arrêt est atteinte, des signaux de fin de programme sont émis, si activés. Ouvrir la porte et vérifier la cuisson des aliments.
5. Appuyer sur OFF (arrêt) lorsque la cuisson est terminée.

## Cuisson au four par convection

(sur certains modèles)

La cuisson par convection peut être utilisée pour cuire des aliments sur une ou plusieurs grilles. Il est utile de décaler les articles sur les grilles pour permettre une circulation plus uniforme de la chaleur. Si le four est plein, il faudra peut-être allonger la durée de cuisson.

Lors de la cuisson au four d'un repas comportant plusieurs types différents d'aliments, veiller à choisir des recettes nécessitant des températures semblables. Prévoir un espace d'au moins 1" (2,5 cm) entre l'ustensile de cuisson et les parois du four.

Laisser la cuisinière pour préchauffer avant de placer des aliments dans le four.

Lors du préchauffage pour la cuisson au four par convection, les éléments du gril ainsi que l'élément de cuisson au four chauffent la cavité du four. Après le préchauffage, l'élément de convection s'allume et s'éteint par intermittence pour maintenir la température du four, tandis que le ventilateur fait circuler l'air chaud de façon continue.

Si la porte du four est ouverte durant la cuisson au four par convection ou le préchauffage, l'élément de convection et le ventilateur s'éteignent immédiatement. Ils se rallumeront une fois la porte fermée.

- Réduire la température de la recette de 25°F (14°C). Il peut aussi être nécessaire de réduire la durée de cuisson.

## Cuisson au four par convection :

Avant la cuisson au four par convection, placer les grilles tel qu'indiqué à la section "Positionnement des grilles et des ustensiles de cuisson".

1. Appuyer sur CONVECT BAKE (cuisson au four par convection).  
Appuyer sur les touches numériques pour entrer une température autre que 325°F (163°C). La température de cuisson au four par convection peut être réglée entre 170°F et 500°F (77°C et 260°C).
2. Appuyer sur START (mise en marche).  
L'afficheur indique "Preheating" jusqu'à ce que la température réglée soit atteinte.  
"Lo" apparaît aussi sur l'afficheur si la température réelle du four est inférieure à 170°F (77°C).  
Lorsque la température réelle du four atteint 170°F (77°C), l'afficheur du four indique les augmentations de température par tranches de 1°.  
Lorsque la température réglée est atteinte, un signal sonore se fait entendre (si activé).
3. Appuyer sur OFF (arrêt) lorsque la cuisson est terminée.

## Rôtissage par convection

(sur certains modèles)

Le rôtissage par convection peut être utilisé pour rôtir la viande et la volaille, faire cuire des aliments, tels pains à la levure, tartes, gâteaux Bundt sur une seule grille. Durant le rôtissage par convection, les éléments de cuisson au four et de gril s'allument et s'éteignent par intermittence pour maintenir la température du four, tandis que le ventilateur fait circuler l'air chaud de façon continue.

Si la porte du four est ouverte durant le rôtissage par convection, l'élément du gril et le ventilateur par convection s'éteignent immédiatement et l'élément de cuisson au four s'éteint en 2 minutes. Ils se rallumeront une fois la porte fermée.

- Réduire la température de la recette de 25°F (14°C). Il peut aussi être nécessaire de réduire la durée de cuisson.

## Rôtissage par convection :

Avant le rôtissage par convection, placer les grilles tel qu'indiqué à la section "Positionnement des grilles et des ustensiles de cuisson". Il n'est pas nécessaire de préchauffer le four avant d'y placer l'aliment, sauf si la recette le recommande.

Utiliser la grille de rôtissage au-dessus de la lèchefrite et de sa grille. Ce positionnement garde l'aliment au-dessus de la grille et permet la libre circulation de l'air autour de toutes les surfaces.

Il est possible de commander un ensemble poêle à croustiller/grille de rôtissage. Voir la section "Assistance ou service" pour commander.

1. Appuyer sur CONVECT ROAST (rôtissage par convection).  
Appuyer sur les touches numériques pour entrer une température autre que 325°F (162°C). La température de rôtissage par convection peut être réglée entre 170°F et 500°F (77°C et 260°C).
2. Appuyer sur START (mise en marche).  
L'afficheur indique "Preheating" jusqu'à ce que la température réglée soit atteinte.  
"Lo" apparaît aussi sur l'afficheur si la température réelle du four est inférieure à 170°F (77°C).  
Lorsque la température réelle du four atteint 170°F (77°C), l'afficheur du four indique les augmentations de température par tranches de 1°.  
Lorsque la température réglée est atteinte, un signal sonore se fait entendre (si activé).
3. Appuyer sur OFF (arrêt) lorsque la cuisson est terminée.

**TABLEAU DE RÔTISSAGE PAR CONVECTION**

ALIMENTS/ POSITION DE LA GRILLE	DURÉE DE CUISSON (en min par lb [454 g])	TEMP. DU FOUR	TEMP. INTERNE DES ALIMENTS
<b>Bœuf, position de grille 2</b>			
<b>Rôti de côte</b>			
saignant	20-25	300°F (149°C)	140°F (60°C)
à point	25-30		160°F (71°C)
bien cuit	30-35		170°F (77°C)
<b>Rôti de côte (désossé)</b>			
saignant	22-25	300°F (149°C)	140°F (60°C)
à point	27-30		160°F (71°C)
bien cuit	32-35		170°F (77°C)
<b>Rôti de croupe ou d'ailoyau</b>			
saignant	20-25	300°F (149°C)	140°F (60°C)
à point	25-30		160°F (71°C)
bien cuit	30-35		170°F (77°C)
<b>Pain de viande</b>			
	20-25	325°F (163°C)	165°F (74°C)
<b>Veau, position de grille 2</b>			
<b>Rôti de longe, de côte, de croupe</b>			
à point	25-35	325°F (163°C)	160°F (71°C)
bien cuit	30-40		170°F (77°C)
<b>Porc, position de grille 2</b>			
<b>Rôti de longe (désossé)</b>			
	30-40	325°F (163°C)	160°F-170°F (71°C-77°C)
<b>Rôti d'épaule</b>			
	35-40	325°F (163°C)	160°F-170°F (71°C-77°C)
<b>Jambon, position de grille 2</b>			
<b>Frais (non cuit)</b>			
	25-35	300°F (149°C)	160°F (71°C)
<b>Entièrement cuit</b>			
	15-20	300°F (149°C)	160°F (71°C)
<b>Agneau, position de grille 2</b>			
<b>Gigot, rôti d'épaule</b>			
à point	25-30	300°F (149°C)	160°F (71°C)
bien cuit	30-35		170°F (77°C)
<b>Poulet*, position de grille 2</b>			
<b>Entier</b>			
3 à 5 lb (1,5 à 2,2 kg)	20-25	325°F (163°C)	180°F (82°C)
5 à 7 lb (2,2 à 3,1 kg)	15-20		325°F (163°C)

ALIMENTS/ POSITION DE LA GRILLE	DURÉE DE CUISSON (en min par lb [454 g])	TEMP. DU FOUR	TEMP. INTERNE DES ALIMENTS
<b>Dinde*, position de grille 1 ou 2</b>			
13 lb et moins (5,85 kg)	10-15	300°F (149°C)	180°F (82°C)
Plus de 13 lb (5,85 kg)	10-12		180°F (82°C)
<b>Poulet de Cornouailles*, position de grille 2 ou 3</b>			
1 à 1,5 lb (0,5 à 0,7 kg)	50-60	325°F (163°C)	180°F (82°C)

\*Ne pas farcir la volaille lors du rôtissage par convection.

## Cuisson au gril par convection (sur certains modèles)

La cuisson au gril par convection est idéale pour cuire des aliments tels que fines tranches de viande, filets de poisson, poulet sans peau et désossé, légumes et pain à l'ail.

Durant la cuisson au gril par convection, les éléments de cuisson au gril s'allument et s'éteignent par intermittence pour maintenir la température du four et le ventilateur fait circuler constamment l'air chaud. L'air en mouvement scelle l'aliment sur tous les côtés de telle sorte que souvent, il n'est pas nécessaire de le tourner.

La température est pré-réglée à 450°F (232°C), mais elle peut être modifiée. Les durées de cuisson varient en fonction de la position de la grille et de la température et il peut être nécessaire de les ajuster.

Si la porte du four est ouverte durant la cuisson au gril, les éléments du gril et le ventilateur s'arrêtent après 30 secondes. Ils se rallumeront une fois la porte fermée.

### Cuisson au gril par convection :

Avant la cuisson au gril par convection, voir la section "Cuisson au gril" pour des renseignements généraux sur la cuisson au gril. Positionner la grille.

Laisser le four préchauffer pendant 5 minutes. Placer l'aliment sur la grille non chauffée de la lèchefrite, puis placer celle-ci au centre de la grille du four, avec le côté le plus long de la lèchefrite parallèle à la porte du four.

Fermer la porte.

1. Appuyer sur CONVECT BROIL (cuisson au gril par convection).

Appuyer sur les touches numériques pour entrer une température autre que 500°F (260°C). La température de cuisson au gril par convection peut être réglée entre 300°F et 500°F (149°C et 260°C).

2. Appuyer sur START (mise en marche).

La température réglée du four apparaît sur l'afficheur du four jusqu'à ce que le four soit éteint.

3. Appuyer sur OFF (arrêt) lorsque la cuisson est terminée.

## Levée du pain (sur certains modèles)

La levée du pain prépare la pâte pour la cuisson en activant la levure. Suivre les instructions de la recette comme guide.

### Pour faire lever la pâte :

Avant la première levée de pain, placer la pâte dans un saladier légèrement graissé et couvrir sans serrer avec du papier ciré recouvert de graisse alimentaire. Placer sur la glissière de grille 2 et fermer la porte du four.

1. Appuyer sur BREAD PROOF (levée du pain). L'afficheur indiquera 100°F (38°C).
2. Appuyer sur START (mise en marche).  
Laisser la pâte lever jusqu'à ce qu'elle ait presque doublé de volume, en vérifiant au bout de 20 à 25 minutes. La durée de levée du pain peut varier en fonction du type de pâte et de la quantité.
3. Appuyer sur OFF (arrêt) après avoir terminé la levée.

Avant d'effectuer une seconde levée de pain, mettre la pâte en forme, la placer dans un/des ustensile(s) de cuisson au four et couvrir sans serrer avec une pellicule plastique, enduite d'aérosol de cuisson antiadhésif. Reprendre le même positionnement et vérifier que les étapes ci-dessus ont bien été suivies. Avant la cuisson au four, retirer la pellicule plastique.

## Cuisson minutée/différée

### **AVERTISSEMENT**

#### Risque d'empoisonnement alimentaire

**Ne pas laisser des aliments dans un four plus d'une heure avant ou après la cuisson.**

**Le non-respect de cette instruction peut causer un empoisonnement alimentaire ou une maladie.**

La cuisson minutée permet au(x) four(s) de réaliser une cuisson pendant une durée pré-réglée. La cuisson différée permet au(x) four(s) de se mettre en marche à une certaine heure de la journée; la cuisson différée ne doit pas être utilisée pour des aliments tels que le pain ou les gâteaux car ceux-ci pourraient ne pas cuire correctement.

La cuisson minutée peut être utilisée avec la plupart des programmes, y compris : Bake (cuisson au four), Convection Bake (cuisson au four par convection), Convection Roast (rôtissage par convection), EasyConvection™ Conversion (conversion EasyConvection™), Bread Proof (levée du pain), et Keep Warm (maintien au chaud).

La cuisson différée peut être utilisée avec les programmes Bake (cuisson au four), Convection Bake (cuisson au four par convection) et Convection Roast (rôtissage par convection).

### Réglage d'une durée de cuisson :

1. Appuyer sur BAKE (cuisson au four), CONVECT BAKE (cuisson au four par convection), CONVECT ROAST (rôtissage par convection), BROIL (cuisson au gril), CONVECT BROIL (cuisson au gril par convection), ou BREAD PROOF (levée du pain).  
Appuyer sur les touches numériques pour entrer une température autre que celle qui est affichée.
2. Appuyer sur COOK TIME (durée de cuisson).
3. Appuyer sur les touches numériques pour entrer la durée de cuisson.

4. Appuyer sur START (mise en marche).

Sur certains modèles, l'heure de mise en marche, l'heure d'arrêt, le compte à rebours de la durée de cuisson apparaîtront sur l'affichage du four.

Lorsque l'heure d'arrêt est atteinte, le four s'arrête automatiquement et les signaux de fin de programme se font entendre.

### Réglage d'une durée de cuisson différée :

Avant le réglage, s'assurer que l'horloge est réglée à l'heure exacte. Voir la section "Affichage de l'horloge/minuterie".

1. Appuyer sur BAKE (cuisson au four), CONVECT BAKE (cuisson au four par convection) ou CONVECT ROAST (rôtissage par convection).  
Appuyer sur les touches numériques pour entrer une température autre que celle qui est affichée.
2. Appuyer sur COOK TIME (durée de cuisson).
3. Appuyer sur les touches numériques pour entrer la durée de cuisson.
4. Appuyer sur STOP TIME (heure d'arrêt).
5. Appuyer sur les touches numériques pour entrer l'heure d'arrêt.
6. Appuyer sur START (mise en marche).

L'heure de mise en marche est calculée et affichée automatiquement.

"DELAY" (différer) et l'heure d'arrêt apparaissent aussi sur l'affichage du four.

Lorsque l'heure de mise en marche est atteinte, le four s'allume automatiquement. Le compte à rebours de la durée de cuisson apparaîtra sur l'afficheur.

Sur certains modèles, la température et le compte à rebours en minutes réglés apparaîtront sur l'affichage.

Lorsque l'heure d'arrêt est atteinte, le four s'arrête automatiquement et les signaux de fin de programme se font entendre.

## Tiroir-réchaud (sur certains modèles)

### **AVERTISSEMENT**

#### Risque d'empoisonnement alimentaire

**Ne pas laisser des aliments reposer plus d'une heure avant ou après la cuisson.**

**Le non-respect de cette instruction peut causer un empoisonnement alimentaire ou une maladie.**

Le tiroir-réchaud est idéal pour garder des aliments cuits chauds, à la température de service. Il peut aussi servir pour réchauffer des pains et pâtisseries.

Différents types d'aliments peuvent être placés dans le tiroir-réchaud en même temps. Pour de plus petites quantités d'aliments, ou les aliments contenant des œufs, ne pas garder plus de 30 minutes.

Les aliments doivent être à la température de service avant d'être placés dans le tiroir-réchaud. Les pains, pâtisseries et tartes aux fruits peuvent être chauffés de la température de la pièce au réglage HI (élevé).

Sortir les aliments des sacs de plastique et les placer dans un contenant qui va au four. Couvrir les aliments avec un couvercle ou du papier d'aluminium.



Ne pas les couvrir de pellicule plastique.

Les plats de service et les assiettes qui vont au four vides peuvent être réchauffés pendant que le tiroir-réchaud préchauffe.

Ne pas mettre des aliments à chauffer directement sur la surface du tiroir-réchaud.

#### Utilisation :

1. Placer les aliments cuits dans le tiroir-réchaud.
2. Appuyer sur le bouton WARMING DRAWER ON (mise en marche du tiroir-réchaud).

“WARM-LOW” apparaît sur l'afficheur.

Pour changer le réglage de température, appuyer à nouveau sur WARMING DRAWER ON. Chaque pression sur le bouton WARMING DRAWER ON augmentera le réglage de température. Le réglage peut être changé à tout moment.

“WARM DRAWER ON” (mise en marche du tiroir-réchaud) apparaît sur l'afficheur au bout de 5 secondes.

3. Appuyer sur WARM DRAWER OFF (arrêt du tiroir-réchaud) après avoir terminé.

#### Réglages du tiroir-réchaud :

Le tiroir-réchaud est préréglé à une température basse, mais peut être modifié en appuyant sur WARMING DRAWER ON plusieurs fois. Utiliser le tableau suivant comme guide lors de la sélection d'une température autre que “Low” (basse).

RÉGLAGES	TEMPÉRATURES
LOW (basse)	100°F (38°C)
MED LOW (moyenne/basse)	140°F (60°C)
MED (moyenne)	160°F (71°C)
MED HI (moyenne/élevée)	180°F (88°C)
HI (élevée)	195°F (91°C)

#### Tableau des températures du tiroir-réchaud

Différents aliments nécessitent différents réglages pour maintenir la température de service idéale. Utiliser le tableau suivant comme guide.

ALIMENT	RÉGLAGE
<b>Hors-d'oeuvre</b>	HI (élevé)
<b>Biscuits</b>	LOW (bas)
<b>Poulet</b>	
Désossé, pané	HI (élevé)
Croquettes	HI (élevé)
<b>Brioches</b>	LOW (bas)
<b>Assiettée (1)</b>	
Bifteck à la Salisbury, pommes de terre en purée, maïs	HI (élevé)
<b>Morceaux de poisson</b>	
Panés	HI (élevé)
Enrobés de pâte	HI (élevé)
<b>Frites</b>	HI (élevé)
<b>Sauce</b>	MED HI (moyen élevé)
<b>Jambon, désossé</b>	MED (moyen)
<b>Petits pains durs</b>	LOW (bas)
<b>Lasagnes</b>	MED HI (moyen élevé)

ALIMENT	RÉGLAGE
<b>Pâtisseries</b>	
Pré-emballées, cuites	MED HI (moyen élevé)
Pré-emballées, congelées	LOW (bas)
<b>Tarte</b>	
Croûte unique	LOW (bas)
Croûte double	LOW (bas)
<b>Pizza</b>	MED HI (moyen élevé)
<b>Pommes de terre, au four</b>	MED HI (moyen élevé)
<b>Quiche</b>	MED (moyen)
<b>Rôti, désossé</b>	MED HI (moyen élevé)
<b>Poulet rôti</b>	MED HI (moyen élevé)
<b>Petits pains mous</b>	LOW (bas)

## ENTRETIEN DE LA CUISINIÈRE

### Programme d'autonettoyage

#### ⚠ AVERTISSEMENT



#### Risque de brûlures

**Ne pas toucher le four au cours du programme d'autonettoyage.**

**Garder les enfants loin du four au cours du programme d'autonettoyage.**

**Le non-respect de ces instructions peut causer des brûlures.**

**IMPORTANT :** La santé de certains oiseaux est très sensible aux émanations qui surviennent durant le programme d'autonettoyage. L'exposition aux émanations peut entraîner la mort de certains oiseaux. Toujours déplacer les oiseaux dans une autre pièce fermée et bien aérée.

Procéder à l'autonettoyage du four avant qu'il ne devienne très sale. Les saletés intenses nécessitent un nettoyage plus long et dégagent plus de fumée.

Veiller à ce que la cuisine soit bien aérée pendant le programme d'autonettoyage afin d'aider à éliminer la chaleur, les odeurs et la fumée.

Ne pas obstruer le ou les événements du four durant le programme d'autonettoyage. L'air doit pouvoir circuler librement. Selon votre modèle, voir la section “Évent du four” ou “Événements du four”.

Ne pas nettoyer, frotter, endommager ou déplacer le joint d'étanchéité de la porte du four. Le joint de la porte est essentiel pour une bonne étanchéité.

## Préparation du four :

- Retirer la lèchefrite, la grille et les ustensiles de cuisine et de cuisson du four.
- Enlever tout papier d'aluminium du four; celui-ci risquerait de brûler ou de fondre et d'endommager le four.
- Sortir les grilles du four pour les garder brillantes et pour qu'elles glissent facilement. Voir la section "Nettoyage général" pour plus de renseignements.
- Nettoyer manuellement l'intérieur de la porte et une zone de 1½" (3,8 cm) sur le pourtour du cadre de la cavité du four, en prenant soin de ne pas déplacer ni plier le joint d'étanchéité. Cette section ne devient pas assez chaude au cours du programme d'autonettoyage pour pouvoir éliminer la saleté. Ne pas laisser de l'eau, un nettoyant, etc. pénétrer dans les fentes du cadre de la porte. Nettoyer avec un chiffon humide.
- Essuyer toute saleté décollée afin de réduire la fumée et d'éviter les dommages. À des températures élevées, les aliments réagissent avec la porcelaine. Cette réaction peut causer des taches, des attaques, des piqûres ou de légères taches blanches. Ceci n'affectera pas la performance de cuisson.

## Préparation de la table de cuisson et du tiroir de remisage (sur certains modèles) :

- Enlever les articles de plastique de la table de cuisson car ils peuvent fondre.
- Enlever tous les articles du tiroir de remisage.

## Comment fonctionne le programme

**IMPORTANT :** Le chauffage et le refroidissement de la porcelaine sur l'acier dans le four peuvent causer une décoloration, une perte de fini luisant, des fissures minuscules et des craquements.

Le programme d'autonettoyage utilise des températures très élevées, brûlant les saletés pour les réduire en cendre.

Le four est pré-réglé pour un programme d'autonettoyage de 2 h 30, mais la durée peut être modifiée. Il existe cinq niveaux de nettoyage. Les durées de nettoyage suggérées sont de 2 h 30 pour des saletés légères et de 3 h 30 à 4 h 30 pour des saletés moyennes à abondantes. Utiliser le tableau ci-dessous comme guide pour déterminer le niveau de nettoyage désiré.

NIVEAU DE NETTOYAGE	DURÉE DE NETTOYAGE TOTALE (inclut 30 minutes de temps de refroidissement)
1 (rapide)	2 h 30
2	3 h
3 (normal)	3 h 30
4	4 h
5 (maxi)	4 h 30

Lorsque le four a complètement refroidi, retirer la cendre avec un chiffon humide. Ne pas essuyer les surfaces internes avant que le four n'ait complètement refroidi. L'application d'un chiffon froid humide sur le hublot de la porte interne avant qu'il n'ait complètement refroidi risque de faire casser le verre.

La lampe du four ne fonctionne pas durant le programme d'autonettoyage.

## Autonettoyage :

Avant l'autonettoyage, s'assurer que la porte est complètement fermée sinon elle ne se verrouillera pas et le programme ne commencera pas.

1. Appuyer sur SELF CLEAN (autonettoyage). Pour régler une durée de nettoyage autre que 3 h 30, appuyer sur SELF CLEAN jusqu'à ce que la durée désirée s'affiche. La durée de nettoyage peut être réglée entre 2 h 30 et 4 h 30.

2. Appuyer sur START (mise en marche).

"LOCKING DOOR" (verrouillage de la porte) apparaîtra sur l'afficheur en même temps que la durée de nettoyage, l'heure de début et de fin. Lorsque la porte se verrouille, l'autonettoyage commence et "OVEN IS CLEANING" (le four s'autonettoie), puis "DOOR LOCKED" (porte verrouillée) apparaissent sur l'afficheur.

La porte ne se déverrouille pas tant que le four n'a pas refroidi.

Lorsque le programme est terminé et que le four refroidit, "SELF CLEAN COMPLETE" (autonettoyage terminé) apparaît sur l'afficheur du four.

3. Appuyer sur n'importe quelle touche ou ouvrir la porte du four pour effacer l'affichage du four.

## Pour différer l'autonettoyage :

Avant de différer la mise en marche de l'autonettoyage, s'assurer que l'horloge est réglée à l'heure exacte. Voir la section "Affichage de l'horloge/minuterie". S'assurer également que la porte est complètement fermée sinon elle ne se verrouillera pas et le programme ne commencera pas.

1. Appuyer sur SELF CLEAN. Pour régler une durée de nettoyage autre que 3 h 30, appuyer sur SELF CLEAN jusqu'à ce que la durée désirée s'affiche. La durée de nettoyage peut être réglée entre 2 h 30 et 4 h 30.

2. Appuyer sur STOP TIME (heure d'arrêt).

3. Appuyer sur les touches numériques pour entrer l'heure d'arrêt.

4. Appuyer sur START (mise en marche).

L'heure de début est automatiquement calculée et affichée avec la durée de nettoyage et l'heure de fin. "DELAY" (différé) apparaîtra également sur l'afficheur.

Lorsque le début de l'autonettoyage commence, "LOCKING DOOR" (verrouillage la porte) apparaît sur l'afficheur. Lorsque la porte se verrouille, l'autonettoyage commence et "OVEN IS CLEANING" (le four s'autonettoie), puis "DOOR LOCKED" (porte verrouillée) apparaissent sur l'afficheur.

La porte ne se déverrouille pas tant que le four n'a pas refroidi.

Lorsque le programme est terminé et que le four refroidit, "SELF CLEAN COMPLETE" (autonettoyage terminé) apparaît sur l'afficheur du four.

5. Appuyer sur OFF (arrêt) pour effacer l'affichage du four.

## Pour arrêter le programme d'autonettoyage à tout moment :

Appuyer sur OFF (arrêt). Si la température du four est trop élevée, la porte demeure verrouillée. Elle ne se déverrouille pas tant que le four n'a pas refroidi.

Si la température du four est trop élevée après le programme d'autonettoyage, "LOCKED" (verrouillée) apparaîtra sur l'affichage jusqu'à ce que le four ait complètement refroidi.

---

## Nettoyage général

**IMPORTANT :** Avant le nettoyage, s'assurer que toutes les commandes sont éteintes et que le four et la table de cuisson sont froids. Toujours suivre les instructions sur les étiquettes des produits de nettoyage. Du savon, de l'eau et un chiffon doux ou une éponge sont recommandés à moins d'indication contraire.

---

### SURFACES EXTERNES EN ÉMAIL VITRIFIÉ (sur certains modèles)

Les renversements d'aliments contenant des produits acides, tels que vinaigre et tomates, doivent être nettoyés dès que l'appareil a refroidi. Ces renversements peuvent affecter la fini.

#### Méthode de nettoyage :

- Nettoyant à vitre, nettoyant doux liquide ou tampon à récurer non abrasif :

Nettoyer doucement autour de la plaque signalétique des numéros de modèle et de série car le frottement pourrait en effacer les chiffres.

---

### ACIER INOXYDABLE (sur certains modèles)

**REMARQUE :** Ne pas utiliser de tampons à récurer savonneux, de nettoyants abrasifs, de crème à polir pour table de cuisson, de tampons en laine d'acier, de chiffons de lavage rudes ou certains essuie-tout. Des dommages peuvent survenir, même en cas d'utilisation limitée ou non renouvelée.

#### Méthode de nettoyage :

**Frotter dans la direction du grain pour éviter les dommages.**

- Nettoyant et poli pour acier inoxydable KitchenAid® (échantillon inclus) :  
Voir la section "Assistance ou service" pour placer une commande.
- Détergent liquide ou nettoyant tout-usage : Rincer à l'eau propre et sécher avec un chiffon doux sans charpie.

---

### GRILLES ET CHAPEAUX ÉMAILLÉS

Les renversements d'aliments contenant des produits acides, tels que vinaigre et tomates, doivent être nettoyés dès que la table de cuisson, les grilles et les chapeaux ont refroidi. Ces renversements peuvent affecter la fini.

Pour éviter l'écaillage, ne pas entrechoquer les grilles et les chapeaux ni les frapper contre des surfaces dures telles que les ustensiles en fonte.

Ne pas réinstaller les chapeaux sur les brûleurs quand ils sont mouillés.

Ne pas les nettoyer au moyen du programme d'autonettoyage.

Ne pas nettoyer au lave-vaisselle.

#### Méthode de nettoyage :

- Tampon à récurer en plastique non abrasif et un nettoyant légèrement abrasif :  
Nettoyer dès que la table de cuisson, les grilles et les chapeaux ont refroidi.

---

### BRÛLEURS DE SURFACE

#### Modèles à brûleurs scellés

- Voir la section "Brûleurs de surface scellés".

---

### COMMANDES DE LA TABLE DE CUISSON

Ne pas utiliser de laine d'acier, de produits de nettoyage abrasifs ou de nettoyant pour four.

Ne pas immerger les boutons de commande.

Lors de la réinstallation des boutons, s'assurer que chaque bouton est à la position Off (arrêt).

#### Méthode de nettoyage :

- Eau tiède savonneuse :  
Tirer les boutons directement hors du tableau de commande pour les enlever.

---

### EXTÉRIEUR DE LA PORTE DU FOUR

#### Méthode de nettoyage :

- Nettoyant à vitre et essuie-tout ou tampon à récurer en plastique non abrasif :  
Appliquer le nettoyant à vitre sur un chiffon doux ou une éponge, et non pas directement sur le tableau.

---

### TABLEAU DE COMMANDE

Ne pas utiliser de produits de nettoyage abrasifs, tampons en laine d'acier, chiffons de lavage rudes ou certains essuie-tout en papier. Des dommages peuvent survenir.

#### Méthode de nettoyage :

- Nettoyant à vitre et chiffon doux ou éponge :  
Appliquer le nettoyant à vitre sur un chiffon doux ou une éponge, et non pas directement sur le tableau.

---

### CAVITÉ DU FOUR

Ne pas utiliser de nettoyants à four.

Les renversements d'aliments doivent être nettoyés lorsque le four a refroidi. À des températures élevées, les aliments réagissent avec la porcelaine et cette réaction peut causer de légères taches blanches, des taches intenses ou des piqûres.

#### Méthode de nettoyage :

- Programme d'autonettoyage :  
Voir d'abord "Programme d'autonettoyage".

---

### GRILLES DE FOUR

#### Méthode de nettoyage :

- Programme d'autonettoyage :  
Voir d'abord "Programme d'autonettoyage". Sortir les grilles sinon elles se décolorent et glisseront plus difficilement. Le cas échéant, un léger revêtement d'huile végétale appliqué sur les glissières facilitera le glissement des grilles.
- Tampon en laine d'acier

---

### TIROIR DE REMISAGE (sur certains modèles)

S'assurer que le tiroir est froid et vide avant le nettoyage.

Pour plus de renseignements, voir la section "Tiroir de remisage".

#### Méthode de nettoyage :

- Détergent doux

---

## TIROIR-RÉCHAUD (sur certains modèles)

---

S'assurer que le tiroir est froid et vide avant le nettoyage.

### Méthode de nettoyage :

- Détergent doux (pour les deux)
  - Nettoyant et poli pour acier inoxydable KitchenAid® (échantillon inclus) :  
Voir la section "Assistance ou service" pour placer une commande.
- 

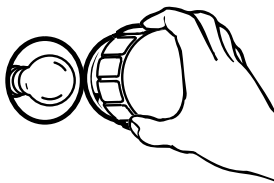
## Lampe(s) du four

La lampe du four est une ampoule standard de 15 watts pour appareil ménager. Elle s'allume à l'ouverture de la porte. La lampe ne fonctionnera pas durant le programme d'autonettoyage (sur certains modèles). Sur certains modèles, lorsque la porte du four est fermée, appuyer sur OVEN LIGHT (lampe du four) pour allumer ou éteindre la lampe.

### Pour le remplacement :

Avant le remplacement, s'assurer que le four et la table de cuisson sont refroidis et que les boutons de commande sont éteints.

1. Débrancher la cuisinière ou déconnecter la source de courant électrique.
2. Tourner le couvercle en verre de l'ampoule à l'arrière du four dans le sens antihoraire et l'enlever.



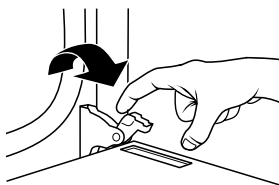
3. Tourner l'ampoule dans le sens antihoraire et l'enlever de la douille.
  4. Remplacer l'ampoule et replacer le couvercle de l'ampoule en le tournant dans le sens horaire.
  5. Brancher la cuisinière ou reconnecter la source de courant électrique.
- 

## Porte du four

Il n'est pas recommandé d'enlever la porte du four pour une utilisation normale. Toutefois, si la dépose est nécessaire, s'assurer que le four est éteint et froid. Puis, suivre ces instructions. La porte du four est lourde.

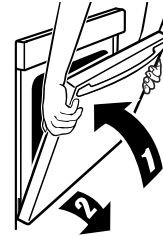
### Dépose :

1. Ouvrir la porte du four complètement.
2. Relever le loquet de charnière de chaque côté.



3. Fermer la porte du four aussi loin qu'elle peut aller.

4. Soulever la porte du four en la retenant de chaque côté.  
Continuer de maintenir la porte du four fermée et la dégager du châssis de la porte du four.



### Réinstallation :

1. Insérer les deux bras de suspension dans la porte.



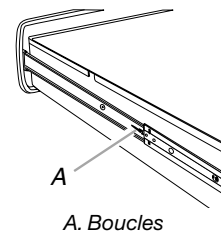
2. Ouvrir la porte du four.  
Vous devriez entendre un déclic lors de la mise en place de la porte.
  3. Remettre les leviers des charnières à la position verrouillée. Effectuer quelques manœuvres d'ouverture/fermeture de la porte du four pour vérifier le bon fonctionnement. En cas d'impossibilité d'ouverture ou de fermeture parfaite de la porte, répéter le processus de dépose et d'installation de la porte.
- 

## Tiroir-réchaud (sur certains modèles)

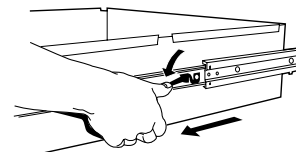
Retirer tous les articles de l'intérieur du tiroir-réchaud et laisser l'appareil refroidir complètement avant d'essayer d'enlever le tiroir.

### Pour enlever :

1. Ouvrir le tiroir complètement.
2. Localiser les boucles noires des deux côtés du tiroir.



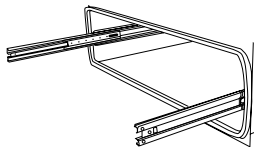
3. Tirer sur les 2 boucles vers l'avant en même temps, puis tirer le tiroir sur une longueur d'un pouce.



4. En tenant le tiroir par les côtés, et non par l'avant, le retirer complètement avec précaution.

## Pour réinstaller :

1. Aligner les glissières du tiroir avec les guides.



2. Pousser le tiroir complètement.
3. Ouvrir et fermer délicatement le tiroir pour s'assurer qu'il est bien installé sur les glissières.

# DÉPANNAGE

Essayer les solutions suggérées ici d'abord afin d'éviter le coût d'une visite de service non nécessaire.

## Rien ne fonctionne

### **⚠ AVERTISSEMENT**



#### Risque de choc électrique

**Brancher sur une prise à 3 alvéoles reliée à la terre.**

**Ne pas enlever la broche de liaison à la terre.**

**Ne pas utiliser un adaptateur.**

**Ne pas utiliser un câble de rallonge.**

**Le non-respect de ces instructions peut causer un décès, un incendie ou un choc électrique.**

- **Est-ce que le cordon d'alimentation est débranché?**  
Brancher sur une prise reliée à la terre.
- **Un fusible est-il grillé ou le disjoncteur s'est-il ouvert?**  
Remplacer le fusible ou réenclencher le disjoncteur. Si le problème persiste, appeler un électricien.
- **La cuisinière est-elle bien raccordée à la canalisation de gaz?**  
Contacter un réparateur qualifié ou voir les instructions d'installation.

## Les brûleurs de surface ne fonctionnent pas

- **Est-ce la première fois que les brûleurs de surface sont utilisés?**  
Tourner n'importe quel bouton de commande de brûleur de surface pour libérer l'air des canalisations de gaz.
- **Le bouton de commande est-il réglé correctement?**  
Pousser sur le bouton avant de le tourner à un réglage.
- **Les orifices des brûleurs sont-ils obstrués?**  
Voir la section "Brûleurs de surface scellés".

## Les flammes des brûleurs de surface ne sont pas uniformes, sont de teinte jaune et/ou émettent un bruit

- **Les orifices des brûleurs sont-ils obstrués?**  
Voir la section "Brûleurs de surface scellés".
- **Sur les modèles à chapeau, les chapeaux des brûleurs sont-ils bien installés?**  
Voir la section "Brûleurs de surface scellés".
- **Utilise-t-on du gaz propane?**  
L'appareil a peut-être été converti incorrectement. Contacter un réparateur qualifié.

## Le brûleur de surface fait de petits bruits

- **Le brûleur est-il mouillé?**  
Le laisser sécher.

## Bruits émis par la cuisinière à gaz lors des opérations de cuisson au four et de cuisson au gril

Il est possible que l'on entende les bruits suivants lors des opérations de cuisson au four et de cuisson au gril :

Bruits de chuintement, d'affaissement, d'éclatement, cliquetis, claquements

Ces bruits sont des bruits de fonctionnement normaux qui peuvent survenir chaque fois que les brûleurs de cuisson au four ou de cuisson au gril s'allument au cours du programme.

- Il est possible que l'on entende un bruit d'éclatement lorsque le robinet de gaz s'ouvre ou se met en marche; un seul bruit d'éclatement retentira lorsqu'il se libère du solénoïde. Le bruit est similaire au bruit de succion qu'émettrait une ventouse que l'on retire d'une surface de verre.
- Les allumeurs émettront plusieurs déclics jusqu'à ce que la flamme soit détectée. Il s'agit de bruits de claquements courts, similaires au bruit d'un ongle tapotant sur une surface de verre.
- Un bruit de chuintement ou d'affaissement peut se faire entendre lorsque le brûleur de cuisson au four ou de cuisson au gril s'allume.
- Sur certains modèles, un cliquetis peut se faire entendre lorsque le relais du ventilateur de cuisson par convection s'allume et s'éteint par intermittence.

## Le brûleur émet des étincelles, mais ne s'allume pas

- **Y a-t-il une production continue d'étincelles sans que le brûleur ne s'allume?**  
Discontinuer l'utilisation du brûleur de surface et contacter un technicien de service.

## Chaleur excessive autour des ustensiles de cuisson sur la table de cuisson

- **L'ustensile de cuisson est-il de dimension appropriée?**  
Utiliser un ustensile de cuisson à peu près de la même dimension que la surface de cuisson, l'élément de cuisson ou le brûleur de surface. L'ustensile de cuisson ne doit pas dépasser de plus de 1/2" (1,3 cm) de la surface de cuisson.

---

## Les résultats de cuisson sur la table de cuisson ne sont pas les résultats prévus

---

- **Utilise-t-on un ustensile de cuisson approprié?**  
Voir la section "Ustensiles de cuisson".
- **Le bouton de commande est-il réglé au niveau approprié de chaleur?**  
Voir la section "Commandes de la table de cuisson".
- **La cuisinière est-elle d'aplomb?**  
Régler l'aplomb de la cuisinière. Voir les instructions d'installation.

---

## Le four ne fonctionne pas

---

- **Le four est-il utilisé pour la première fois?**  
Tourner n'importe quel bouton de commande de brûleur de surface pour libérer l'air des canalisations de gaz.
- **La commande électronique du four est-elle bien réglée?**  
Voir la section "Commande électronique tactile du four".
- **Une mise en marche différée a-t-elle été réglée?**  
Voir la section "Cuisson minutée".
- **Sur certains modèles, le verrouillage des commandes est-il réglé?**  
Voir la section "Control Lock (verrouillage des commandes)".
- **Sur certains modèles, le mode Sabbath est-il réglé?**  
Voir la section "Mode Sabbath".

---

## Les flammes du brûleur dans le four sont jaunes ou émettent un bruit

---

- **Utilise-t-on du gaz propane?**  
La cuisinière a peut-être été mal convertie. Contacter un réparateur qualifié.

---

## Le ventilateur fonctionne durant la cuisson au four ou au grill ou pendant le nettoyage

---

- Il est normal que le ventilateur se mette automatiquement en marche pendant le fonctionnement du four ou pendant un certain temps après que le four est éteint, ceci dans le but de refroidir la commande électronique.

---

## La température du four est trop élevée ou trop basse

---

- **Le calibrage de la température du four a-t-il besoin d'être ajusté?**  
Voir la section "Calibrage de la température du four - Option 6".

---

## L'affichage indique des messages

---

- **L'affichage indique-t-il "SET CLOCK" (réglage horloge)?**  
Une panne de courant est survenue. Effacer l'affichage. Voir la section "Afficheurs du four". Sur certains modèles, régler de nouveau l'horloge si nécessaire. Voir la section "Affichage horloge/minuterie".
- **L'affichage indique-t-il une lettre suivie par un chiffre?**  
Appuyer sur OFF (arrêt) pour effacer l'affichage. Voir la section "Afficheurs du four". Si le message réapparaît, faire un appel de service. Voir la section "Assistance ou service".

---

## Sur certains modèles, le ventilateur de convection ne fonctionne pas

---

- **Le ventilateur apparaît sur l'affichage mais ne fonctionne pas?**  
Il y aura un bref délai du fonctionnement du ventilateur après la mise en marche d'une fonction de convection.
- **La fonction de cuisson au grill par convection est-elle utilisée?**  
Le ventilateur fonctionne par intermittence tout au long du fonctionnement de cuisson au grill par convection.
- **La porte du four est-elle ouverte?**  
L'ouverture de la porte du four durant le fonctionnement de la cuisson par convection désactive le ventilateur.

---

## Le programme d'autonettoyage ne fonctionne pas

---

- **La porte du four est-elle ouverte?**  
Fermer la porte du four complètement.
- **Une fonction a-t-elle été entrée?**  
Voir la section "Programme d'autonettoyage".
- **Sur certains modèles, un programme d'autonettoyage à mise en marche différée a-t-il été réglé?**  
Voir la section "Programme d'autonettoyage".
- **Une mise en marche différée a-t-elle été réglée?**  
Voir la section "Cuisson minutée".

---

## Les résultats de cuisson au four ne sont pas ceux prévus

---

- **La cuisinière est-elle d'aplomb?**  
Régler l'aplomb de la cuisinière. Voir les instructions d'installation.
- **La température correcte est-elle réglée?**  
Revérifier la recette dans un livre de recettes fiable.
- **Le calibrage de la température du four est-il correct?**  
Voir la section "Calibrage de la température du four - Option 6".
- **Le four a-t-il été préchauffé?**  
Voir les sections "Cuisson au four", "Cuisson au grill", "Conversion EasyConvect", "Cuisson au four par convection" ou "Rôtissage par convection".
- **Utilise-t-on un ustensile de cuisson au four approprié?**  
Voir la section "Ustensiles de cuisson".
- **Les grilles sont-elles en bonne position?**  
Voir la section "Positionnement des grilles et des ustensiles de cuisson".
- **Existe-t-il une circulation d'air appropriée autour des ustensiles de cuisson?**  
Voir la section "Positionnement des grilles et des ustensiles de cuisson".
- **La pâte est-elle distribuée également dans le plat?**  
S'assurer que la pâte est répartie uniformément dans le plat.
- **Utilise-t-on une durée de cuisson appropriée?**  
Ajuster la durée de cuisson.
- **La porte a-t-elle été ouverte pendant la cuisson?**  
L'ouverture de la porte pour vérifier la cuisson laisse la chaleur du four s'échapper et peut nécessiter des durées de cuisson plus longues.
- **Les articles cuits au four ont-ils trop bruni à la base?**  
Baisser la température du four de 15°F à 25°F (5°C à 15°C) ou déplacer la grille à une position plus élevée dans le four.
- **Les bords des croûtes de tarte ont-ils bruni trop tôt?**  
Utiliser du papier d'aluminium pour couvrir le bord de la croûte et/ou réduire la température de cuisson.

---

# ASSISTANCE OU SERVICE

---

Avant de faire un appel pour assistance ou service, veuillez vérifier la section "Dépannage". Cette vérification peut vous faire économiser le coût d'une visite de service. Si vous avez encore besoin d'aide, suivez les instructions ci-dessous.

Lors d'un appel, veuillez connaître la date d'achat, le numéro de modèle et le numéro de série au complet de l'appareil. Ces renseignements nous aideront à mieux répondre à votre demande.

## Si vous avez besoin de pièces de rechange

Si vous avez besoin de commander des pièces de rechange, nous vous recommandons d'employer uniquement des pièces spécifiées par l'usine. Les pièces spécifiées par l'usine fonctionneront bien parce qu'elles sont fabriquées avec la même précision que celle utilisée dans la fabrication de chaque nouvel appareil KITCHENAID®.

Pour localiser des pièces spécifiées par l'usine dans votre région, nous appeler ou contacter le centre de service désigné KitchenAid le plus proche.

---

## Au Canada

Veuillez appeler sans frais le Centre pour l'eXpérience de la clientèle de KitchenAid Canada au : **1-800-807-6777**.

### Nos consultants vous renseigneront sur les sujets suivants :

- Caractéristiques et spécifications sur toute notre gamme d'appareils électroménagers.
- Consignes d'utilisation et d'entretien.
- Vente d'accessoires et de pièces de rechange.
- Références aux marchands locaux, aux distributeurs de pièces de rechange et aux compagnies de service. Les techniciens de service désignés par KitchenAid Canada sont formés pour remplir la garantie des produits et fournir un service après la garantie, partout au Canada.

### Pour plus d'assistance

Si vous avez besoin de plus d'assistance, vous pouvez soumettre par écrit toute question ou préoccupation à KitchenAid Canada à l'adresse suivante :

Centre pour l'eXpérience de la clientèle  
KitchenAid Canada  
200 - 6750 Century Ave.  
Mississauga, Ontario L5N 0B7

Veuillez inclure dans votre correspondance un numéro de téléphone où l'on peut vous joindre dans la journée.

---

## Accessoires

---

Pour les accessoires, consulter notre site Web [www.kitchenaid.com/cookingaccessories](http://www.kitchenaid.com/cookingaccessories). Des appareils ménagers portatifs, ustensiles de cuisson au four, ustensiles de cuisson, gadgets et textiles sont aussi disponibles.

### Nettoyant et poli pour acier inoxydable KitchenAid®

(modèles en acier inoxydable)

Commander la pièce n° 4396920

### Chiffons pour acier inoxydable KitchenAid®

(modèles en acier inoxydable)

Commander la pièce n° 8212510

### Nettoyant pour table de cuisson

(surfaces en porcelaine ou en verre)

Commander la pièce n° 31464B

### Protecteur de table de cuisson

(surfaces en porcelaine ou en verre)

Commander la pièce n° 31463B

### Nettoyant pour la grille et cuvette à gaz

Commander la pièce n° 31617B

### Pierre à pizza

Commander la pièce n° 4378577

### Lèchefrite et grille de rôtissage

Commander la pièce n° W10123240

[www.kitchenaid.com/broilerpan](http://www.kitchenaid.com/broilerpan)

### Ensemble de planchette remplissage arrière

Commander la pièce numéro W10113902A Noir

Commander la pièce numéro W10113903A Blanc

Commander la pièce numéro W10113904A Biscuit



---

# GARANTIE DE LA CUISINIÈRE À BI-COMBUSTIBLE KITCHENAID®

---

## GARANTIE LIMITÉE

Pendant un an à compter de la date d'achat, lorsque ce gros appareil ménager est utilisé et entretenu conformément aux instructions jointes à ou fournies avec le produit, la marque KitchenAid de Whirlpool Corporation ou Whirlpool Canada LP (ci-après désignées "KitchenAid") paiera pour les pièces spécifiées par l'usine et la main-d'œuvre pour corriger les vices de matériaux ou de fabrication. Le service doit être fourni par une compagnie de service désignée par KitchenAid. Cette garantie limitée est valide uniquement aux États-Unis ou au Canada et s'applique exclusivement lorsque l'appareil est utilisé dans le pays où il a été acheté. À l'extérieur du Canada et des 50 États des États-Unis, cette garantie limitée ne s'applique pas. Une preuve de la date d'achat original est exigée pour obtenir un service dans le cadre de la présente garantie limitée.

---

## GARANTIE LIMITÉE DE LA DEUXIÈME À LA CINQUIÈME ANNÉE INCLUSIVEMENT SUR CERTAINS COMPOSANTS

De la deuxième à la cinquième année inclusivement à compter de la date d'achat, lorsque cet appareil ménager est utilisé et entretenu conformément aux instructions jointes à ou fournies avec le produit, KitchenAid ou KitchenAid Canada paiera pour les pièces spécifiées par l'usine pour les composants suivants, en cas de vices de matériaux ou de fabrication :

- Éléments électriques
- Pièces du système de commande à semi-conducteurs
- Brûleurs à gaz

---

## GARANTIE LIMITÉE DE LA DEUXIÈME À LA DIXIÈME ANNÉE INCLUSIVEMENT SUR LA CAVITÉ ET LES PORTES DU FOUR À INJECTION DE VAPEUR

De la deuxième à la dixième année inclusivement à compter de la date d'achat, lorsque ce gros appareil est utilisé et entretenu conformément aux instructions jointes à ou fournies avec le produit, KitchenAid paiera pour les pièces spécifiées par l'usine pour la cavité du four en porcelaine et la porte intérieure si la pièce rouille de part en part du fait de vices de matériaux ou de fabrication.

---

## ARTICLES EXCLUS DE LA GARANTIE

La présente garantie limitée ne couvre pas :

1. Les visites de service pour rectifier l'installation du gros appareil ménager, montrer à l'utilisateur comment utiliser l'appareil, remplacer ou réparer des fusibles ou rectifier le câblage ou la plomberie du domicile.
2. Les visites de service pour réparer ou remplacer les ampoules électriques de l'appareil, les filtres à air ou les filtres à eau. Les pièces consommables ne sont pas couvertes par la garantie.
3. Les réparations lorsque le gros appareil ménager est utilisé à des fins autres que l'usage unifamilial normal ou lorsque les instructions d'installation et/ou les instructions de l'opérateur ou de l'utilisateur fournies ne sont pas respectées.
4. Les dommages imputables à : accident, modification, usage impropre ou abusif, incendie, inondation, actes de Dieu, installation fautive ou installation non conforme aux codes d'électricité ou de plomberie, ou l'utilisation de pièces consommables ou de produits nettoyants non approuvés par KitchenAid.
5. Les défauts apparents, notamment les éraflures, les bosses, fissures ou tout autre dommage au fini du gros appareil ménager, à moins que ces dommages soient dus à des vices de matériaux ou de fabrication et soient signalés à KitchenAid dans les 30 jours suivant la date d'achat.
6. Les coûts associés au transport du gros appareil ménager du domicile pour réparation. Ce gros appareil ménager est conçu pour être réparé à domicile et seul le service à domicile est couvert par la présente garantie.
7. Les réparations aux pièces ou systèmes résultant d'une modification non autorisée faite à l'appareil.
8. Les frais de transport pour le service d'un produit si votre gros appareil est situé dans une région éloignée où un service d'entretien KitchenAid autorisé n'est pas disponible.
9. La dépose et la réinstallation de votre gros appareil si celui-ci est installé dans un endroit inaccessible ou n'est pas installé conformément aux instructions d'installation fournies.
10. Les gros appareils ménagers dont les numéros de série et de modèle originaux ont été enlevés, modifiés ou qui ne peuvent pas être facilement identifiés. La présente garantie est nulle si le numéro de série d'usine a été modifié ou enlevé du gros appareil ménager.

Le coût d'une réparation ou d'un remplacement dans le cadre de ces circonstances exclues est à la charge du client.

---

## CLAUSE D'EXONÉRATION DE RESPONSABILITÉ AU TITRE DES GARANTIES IMPLICITES; LIMITATION DES RECOURS

LE SEUL ET EXCLUSIF RECOURS DU CLIENT DANS LE CADRE DE LA PRÉSENTE GARANTIE LIMITÉE CONSISTE EN LA RÉPARATION PRÉVUE CI-DESSUS. LES GARANTIES IMPLICITES, Y COMPRIS LES GARANTIES APPLICABLES DE QUALITÉ MARCHANDE ET D'APTITUDE À UN USAGE PARTICULIER, SONT LIMITÉES À UN AN OU À LA PLUS COURTE PÉRIODE AUTORISÉE PAR LA LOI. KITCHENAID N'ASSUME AUCUNE RESPONSABILITÉ POUR LES DOMMAGES FORTUITS OU INDIRECTS. CERTAINES JURIDICTIONS NE PERMETTENT PAS L'EXCLUSION OU LA LIMITATION DES DOMMAGES FORTUITS OU INDIRECTS, OU LES LIMITATIONS DE LA DURÉE DES GARANTIES IMPLICITES DE QUALITÉ MARCHANDE OU D'APTITUDE À UN USAGE PARTICULIER, DE SORTE QUE CES EXCLUSIONS OU LIMITATIONS PEUVENT NE PAS S'APPLIQUER DANS VOTRE CAS. CETTE GARANTIE VOUS CONFÈRE DES DROITS JURIDIQUES SPÉCIFIQUES ET VOUS POUVEZ ÉGALEMENT JOUIR D'AUTRES DROITS QUI PEUVENT VARIER D'UNE JURIDICTION À UNE AUTRE.

---

Si vous résidez à l'extérieur du Canada et des 50 États des États-Unis, contactez votre marchand KitchenAid autorisé pour déterminer si une autre garantie s'applique.

Si vous avez besoin de service, voir d'abord la section "Dépannage" du Guide d'utilisation et d'entretien. Après avoir vérifié la section "Dépannage", de l'aide supplémentaire peut être trouvée en vérifiant la section "Assistance ou service" ou en appelant KitchenAid. Aux É.-U., composer le **1-800-422-1230**. Au Canada, composer le **1-800-807-6777**.

2/09

---

**Conservez ce manuel et votre reçu de vente ensemble pour référence ultérieure. Pour le service sous garantie, vous devez présenter un document prouvant la date d'achat ou d'installation.**

Inscrivez les renseignements suivants au sujet de votre gros appareil ménager pour mieux vous aider à obtenir assistance ou service en cas de besoin. Vous devrez connaître le numéro de modèle et le numéro de série au complet. Vous trouverez ces renseignements sur la plaque signalétique située sur le produit.

Nom du marchand \_\_\_\_\_

Adresse \_\_\_\_\_

Numéro de téléphone \_\_\_\_\_

Numéro de modèle \_\_\_\_\_

Numéro de série \_\_\_\_\_

Date d'achat \_\_\_\_\_