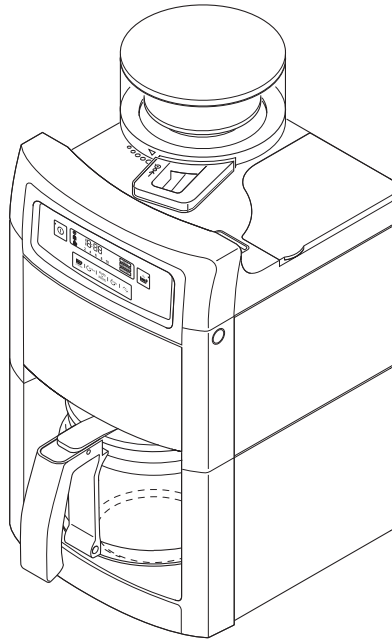
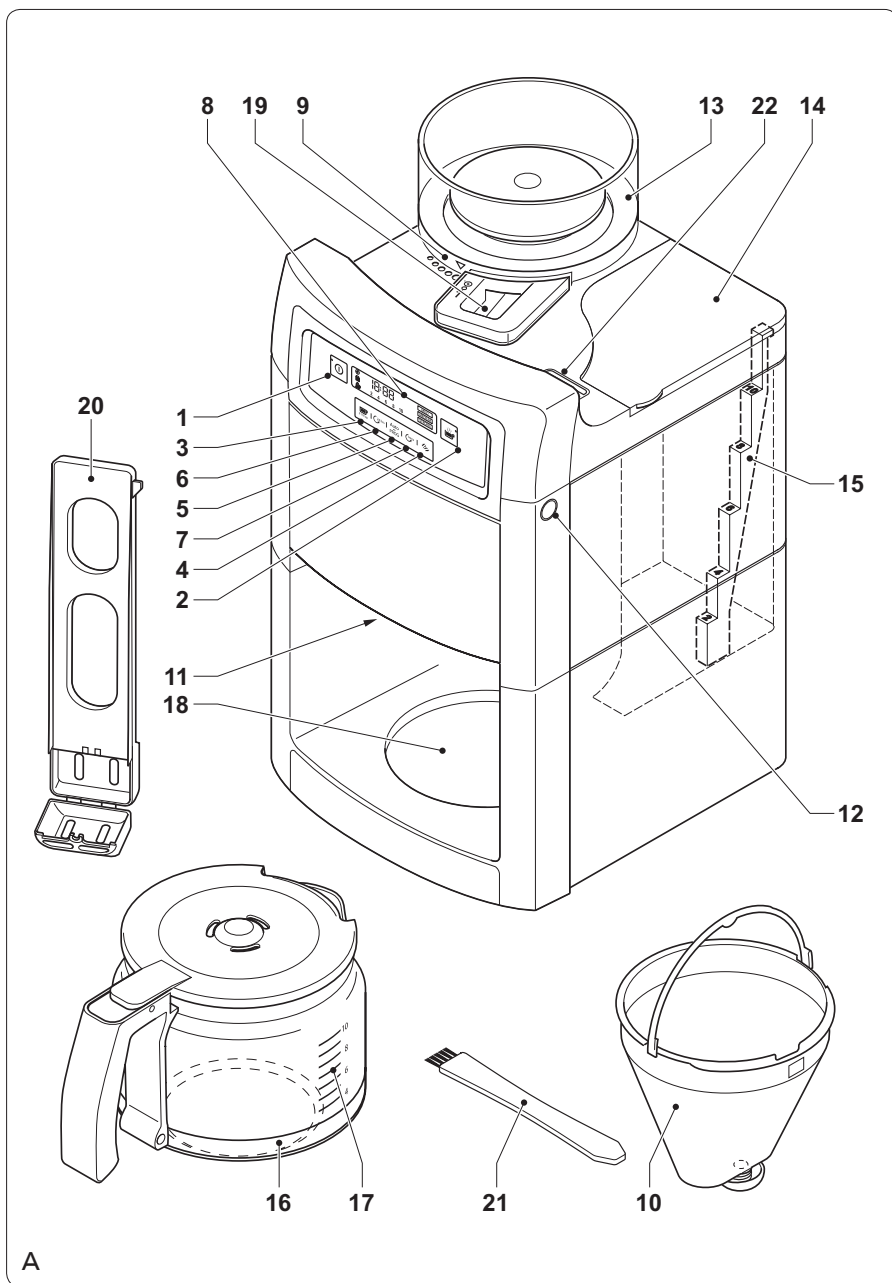
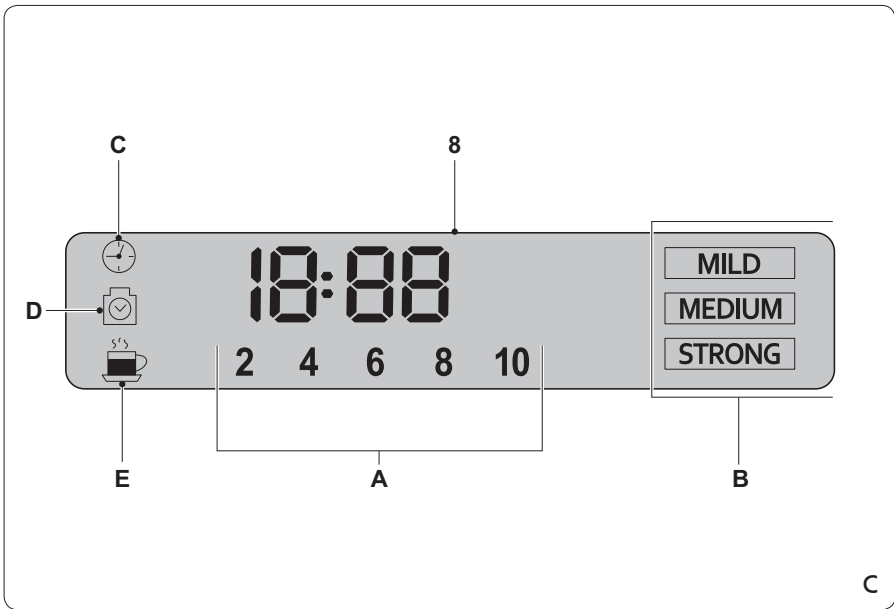
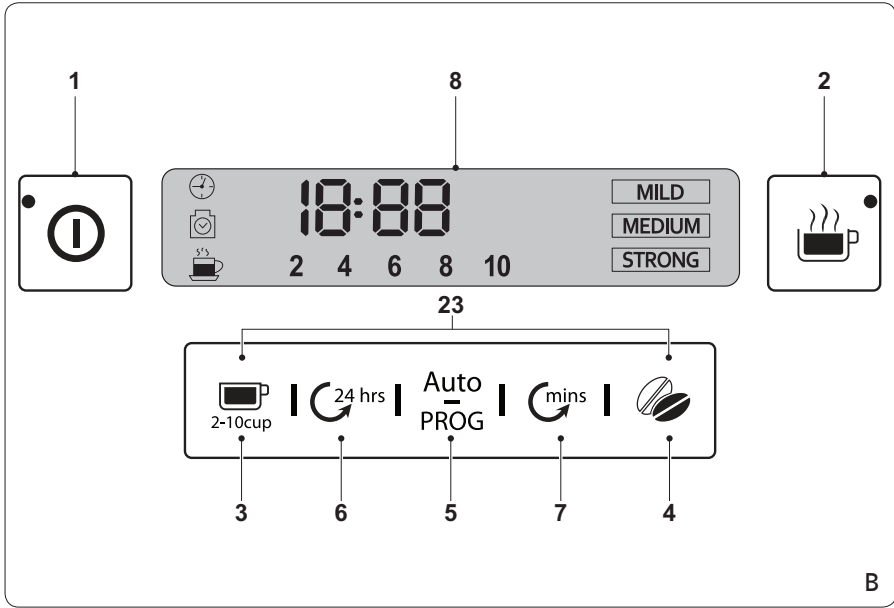

PETRA

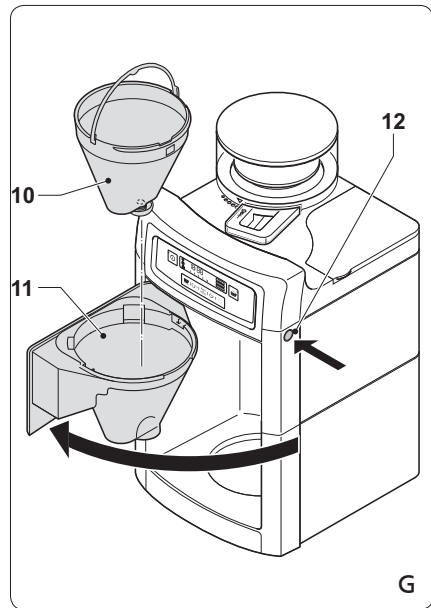
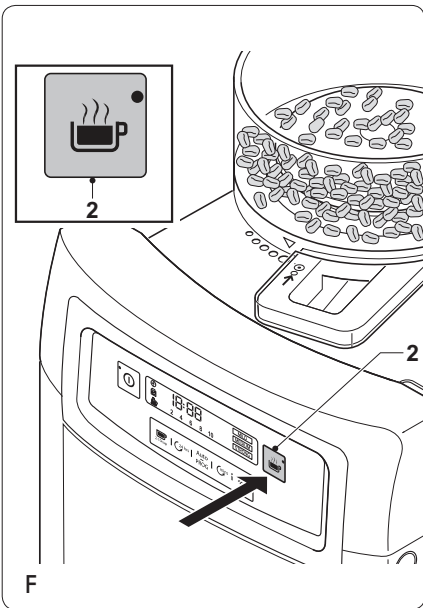
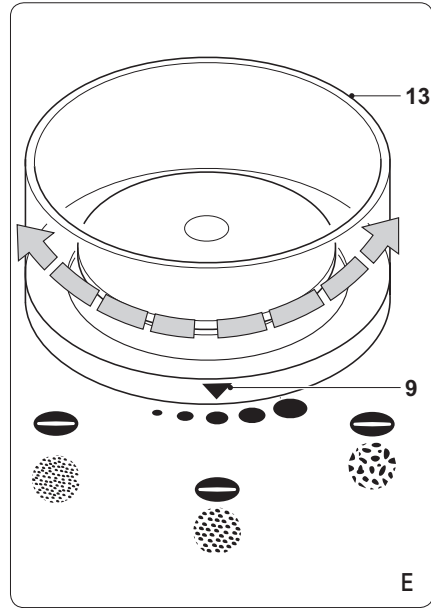
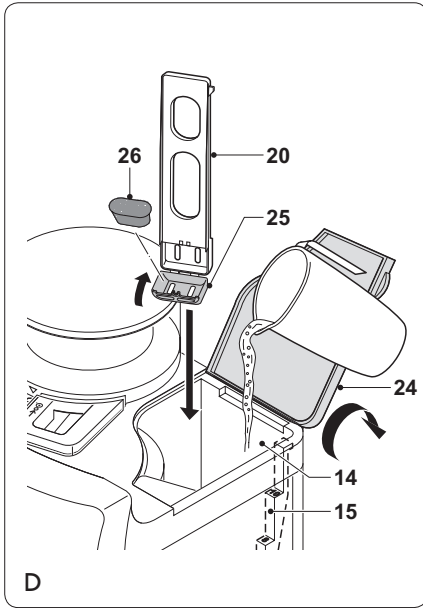
English	6
Français	13
Deutsch	20
Italiano	27

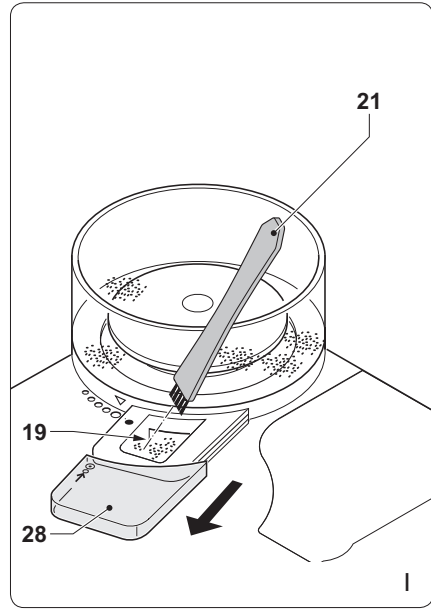
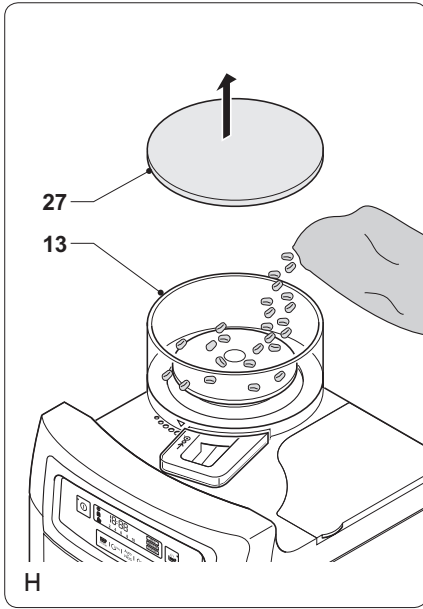




PETRA







Congratulations!

You have purchased a Petra product. Our aim is to provide quality products with a tasteful design and at an affordable price. We hope that you will enjoy this product for many years.

Description (fig. A - C)

Your 249403 Petra coffee maker has been designed for making coffee with coffee beans or ground coffee. The appliance is suitable for indoor use only. The appliance is suitable for domestic use only.

1. On/off button
2. Grinding button
3. Coffee quantity selector
4. Coffee strength selector
5. Timer button
6. Hour button
7. Minute button
8. Display
9. Ground coffee fineness selector
10. Coffee filter holder
11. Filter holder assembly
12. Release button (filter holder assembly)
13. Coffee bean compartment
14. Water reservoir
15. Water level indicator
16. Coffee pot
17. Coffee level indicator
18. Heating plate
19. Grinding compartment
20. Carbon filter holder
21. Brush / screwdriver
22. Steam hole
23. Descale button
 - A. Coffee quantity indicator
 - B. Coffee strength indicator
 - C. Timer indicator
 - D. Descaling indicator
 - E. Keep-warm indicator

Initial use

Preparation

- Clean the appliance. Refer to the section "Cleaning and maintenance".

- Clean the accessories. Refer to the section "Cleaning and maintenance".

Setting the clock (fig. B & C)

If the mains plug is inserted into the wall socket, the display (8) will light to indicate that the clock can be set. The clock can be adjusted at any time later on.

- Repeatedly press the hour button (6) to set the hours.
- Repeatedly press the minute button (7) to set the minutes. The time is shown on the display (8).

Use

The appliance can be used for making coffee with coffee beans or ground coffee. Before first use, the appliance is set to make coffee with coffee beans. After each use, the appliance will memorise the last used setting for the next use: making coffee with coffee beans or making coffee with ground coffee.

The appliance can only be used when the display is activated. If the display is not activated, press any button to activate the display. The appliance is ready for use.

Before you proceed, we need you to pay attention to the following notes:

- Keep your hands, face and other body parts away from the steam hole. The steam from the appliance becomes very hot during use.
- Do not cover the steam hole.

Filling the water reservoir (fig. D)

Before you proceed, we need you to pay attention to the following notes:

- Before filling the water reservoir, switch off the appliance and remove the mains plug from the wall socket.
- Do not fill the water reservoir with more water than required for making the coffee. Only use the amount of water required for making the coffee. The appliance automatically stops when the water reservoir is empty.

Before you proceed, we would like you to focus your attention on the following notes:

- Do not use the appliance without water in the water reservoir.
 - Do not exceed the maximum mark (10 cups) when you fill the water reservoir. Make sure that the water level is always above the minimum mark (2 cups) during use.
 - Only use cold water to fill the water reservoir.
 - Do not use carbonated water or other liquids to fill the water reservoir.
 - Do not pour water in the coffee bean compartment.
- Open the cover (24).
 - Fill the water reservoir (14) with water up to the required mark on the water level indicator (15).
 - Do not fill the water reservoir with more water than required for making the coffee. Only use the amount of water required for making the coffee. The appliance automatically stops when the water reservoir is empty.
 - Close the cover (24).

Setting the coffee quantity (fig. B & C)

The coffee quantity selector (3) is used for setting the required coffee quantity. The coffee quantity selector (3) can be set to 2, 4, 6, 8 or 10 cups.

Note: The appliance can only be used when the display is activated. If the display is not activated, press any button to activate the display. The appliance is ready for use.

- Repeatedly press the coffee quantity selector (3) to set the coffee quantity. The number of cups (A) is shown on the display (8).

Setting the coffee strength (fig. B & C)

The coffee strength selector (4) is used for setting the required coffee strength. The coffee strength selector (4) can be set to mild coffee (MILD), medium coffee (MEDIUM) and strong coffee (STRONG).

Note: The appliance can only be used when the display is activated. If the display is not activated, press any button to activate the display. The appliance is ready for use.

- Repeatedly press the coffee strength selector (4) to set the coffee strength. The coffee strength (B) is shown on the display (8).

Setting the ground coffee fineness (fig. E)

The ground coffee fineness selector (9) is used for setting the required fineness of the ground coffee when using coffee beans. The ground coffee fineness selector (9) can be set to different positions from fine coffee grounds to coarse coffee grounds.

- Turn the ground coffee fineness selector (9) to the required position to set the fineness of the ground coffee.

Making coffee with coffee beans (fig. A - H)

Before you proceed, we would like you to focus your attention on the following notes:

- Only use coffee beans that are suitable for the appliance.
- Only use paper coffee filters (1x4) that are suitable for the appliance.
- If the grinding function is not activated, press the grinding button (2) to activate the grinding function. The coffee quantity and the coffee strength are shown on the display.
- Fill the water reservoir (14) with the required amount of water.
- Do not fill the water reservoir with more water than required for making the coffee. Only use the amount of water required for making the coffee. The appliance automatically stops when the water reservoir is empty.
- Open the cover (27).
- Fill the coffee bean compartment (13) completely with coffee beans.
- Close the cover (27).
- Set the ground coffee fineness. Refer to the section "Setting the ground coffee fineness".

- Press the release button (12) to open the filter holder assembly (11).
- Place a suitable coffee filter in the coffee filter holder (10).
- Close the filter holder assembly (11) until the release button (12) clicks into place.

Note: The appliance can only be used when the display is activated. If the display is not activated, press any button to activate the display. The appliance is ready for use.

- Set the coffee quantity. Refer to the section "Setting the coffee quantity".
- Set the coffee strength. Refer to the section "Setting the coffee strength".
- Place the coffee pot (16) on the heating plate (18).
- Switch on the appliance by pressing the on/off button (1). The cup-of-coffee symbol (E) appears. After a few seconds, the appliance starts grinding the coffee beans and making the coffee.
- To interrupt the process, press the on/off button (1).
- If the process is completed, the appliance will beep and switch to keep-warm mode. The cup-of-coffee symbol (E) starts flashing. The appliance can be switched off by pressing the on/off button (1) or the appliance switches off automatically after 2 hours.
- Allow the appliance to cool down completely.

Making coffee with ground coffee (fig. A, B, C, D, F & G)

Before you proceed, we would like you to focus your attention on the following notes:

- Only use ground coffee that is suitable for the appliance.
- Only use paper coffee filters (1x4) that are suitable for the appliance.
- If the grinding function is activated, press the grinding button (2) to deactivate the grinding function. The coffee quantity and the coffee strength are not shown on the display.
- Fill the water reservoir (14) with the required amount of water.

- Do not fill the water reservoir with more water than required for making the coffee. Only use the amount of water required for making the coffee. The appliance automatically stops when the water reservoir is empty.
- Press the release button (12) to open the filter holder assembly (11).
- Place a suitable coffee filter in the coffee filter holder (10).
- Put the required amount of coffee in the coffee filter.
- Close the filter holder assembly (11) until the release button (12) clicks into place.
- Place the coffee pot (16) on the heating plate (18).

Note: The appliance can only be used when the display is activated. If the display is not activated, press any button to activate the display. The appliance is ready for use.

- Switch on the appliance by pressing the on/off button (1). The cup-of-coffee symbol (E) appears. The appliance starts making the coffee.
- To interrupt the process, press the on/off button (1).
- If the process is completed, the appliance will beep and switch to keep-warm mode. The cup-of-coffee symbol (E) starts flashing. The appliance can be switched off by pressing the on/off button (1) or the appliance switches off automatically after 2 hours.
- Allow the appliance to cool down completely.

Delay start function (fig. B & C)

The appliance has a delay start function which makes it possible to program the time for starting the coffee-making process.

Note: The appliance can only be used when the display is activated. If the display is not activated, press any button to activate the display. The appliance is ready for use.

- Set the clock. Check whether the clock has already been set. If the clock has not been set, refer to the section "Setting the clock".
- Keep the timer button (5) pressed until the clock on the display flashes.

- Repeatedly press the hour button (6) to set the hours.
- Repeatedly press the minute button (7) to set the minutes.
- Set the coffee quantity. Refer to the section "Setting the coffee quantity".
- Set the coffee strength. Refer to the section "Setting the coffee strength".
- If you want to make coffee with ground coffee, switch off the grinding function before using the delay start function.
- Press the timer button (5) to save the settings. The timer indicator (C) lights continuously.
- To interrupt the process, press the timer button (5) again. The timer indicator (C) goes off.

Cleaning and maintenance

Before you proceed, we need you to pay attention to the following notes:

- Before cleaning or maintenance, always switch off the appliance, remove the mains plug from the wall socket and wait until the appliance has cooled down.
- Do not immerse the appliance in water or any other liquids.

Before you proceed, we would like you to focus your attention on the following notes:

- Do not use aggressive or abrasive cleaning agents to clean the appliance.
- Do not use sharp objects to clean the appliance.
- Regularly check the appliance for possible damage.
- Clean the accessories:
 - Clean the coffee pot in soapy water.
 - Clean the coffee filter holder in soapy water.
 - Clean the lid of the coffee bean compartment in soapy water.
 - Thoroughly dry the accessories.
- Clean the outside of the appliance with a damp cloth. Dry the outside of the appliance with a clean, dry cloth.
- Put the appliance and the accessories in the original packaging.

- Store the appliance in a dry and frost-free place, out of the reach of children.

Cleaning the grinding compartment (fig. C & I)

When grinding coffee beans, coffee powder can clog the grinding mechanism. The grinding compartment (19) can be cleaned every 2 weeks to prevent the grinding mechanism from being clogged.

Before you proceed, we would like you to focus your attention on the following notes:

- Before cleaning the grinding compartment, take the following actions:
 - Switch off the appliance.
 - Remove the mains plug from the wall socket.
 - Remove the coffee pot from the heating plate.
 - Empty the coffee filter holder. Place a suitable coffee filter. Close the filter holder assembly.
- Remove the cover (28).
- Clean the grinding compartment (19) using the brush (21).
- Mount the cover (28).

Descaling the appliance (fig. A - D)

The appliance must be descaled after each 70 brewing cycles. If you leave the mains plug in the wall socket, the appliance will keep track of the number of brewing cycles. The indicator (D) will flash on the display to indicate that the appliance must be descaled. If the appliance must be descaled, use a suitable descaling agent. Special descaling agents are available from our service station.

Before descaling the appliance, the old carbon filter must be removed from the water reservoir. The carbon filter removes chlorine and other contaminants from the water for a pure coffee taste. After descaling the appliance, a new carbon filter must be placed in the water reservoir. New carbon filters are available from our service station.

Note: Petra will not be responsible for any damage caused by descaling agents. Damage caused by not regularly descaling the appliance is not covered by the guarantee.

Before you proceed, we need you to pay attention to the following notes:

- Before descaling the appliance, remove the mains plug from the wall socket and wait until the appliance has cooled down.
- Do not immerse the appliance in water or any other liquids.
- Make sure that the grinding function is not activated when descaling the appliance.

- Open the cover (24).
- If necessary, empty the water reservoir (14).
- Remove the carbon filter holder (20) from the water reservoir (14).
- Open the cover (25).
- Remove the old carbon filter (26).
- Place the new carbon filter (26).
- Close the cover (25).

Note: The carbon filter holder must not be placed in the water reservoir before the appliance has been descaled.

- Fill the water reservoir (14) with a suitable descaling agent.
- Place the coffee pot (16) on the heating plate (18).
- Insert the mains plug into the wall socket.
- Switch on the appliance by pressing the on/off button (1).
- Let the appliance run until 1/3 of the descaling agent is in the coffee pot (16).
- Switch off the appliance by pressing the on/off button (1).
- Let the descaling agent work for approximately 30 minutes.
- Switch on the appliance by pressing the on/off button (1).
- Let the appliance run until the remaining descaling agent is in the coffee pot (16). The appliance stops automatically when the water reservoir (14) is empty.
- Rinse the appliance twice according to the below procedure:
 - Fill the water reservoir (14) with clean water up to the maximum mark on the water level indicator (15).

- Place the empty coffee pot (16) on the heating plate (18).
- Switch on the appliance by pressing the on/off button (1).
- Let all water run through the appliance. The appliance stops automatically when the water reservoir (14) is empty.
- Place the carbon filter holder (20) in the water reservoir (14).
- Close the cover (24).
- Switch off the appliance by pressing the on/off button (1).
- Keep the coffee quantity selector (3) and the coffee strength selector (4) pressed until the indicator (D) disappears from the display (8) (fig. C).
- Clean the outside of the appliance with a damp cloth. Dry the outside of the appliance with a clean, dry cloth. The appliance is ready for use.

Safety instructions

General safety

- Read the manual carefully before use. Keep the manual for future reference.
- Only use the appliance and the accessories for their intended purposes. Do not use the appliance and the accessories for other purposes than described in the manual.
- Do not use the appliance if any part or any accessory is damaged or defective. If a part or an accessory is damaged or defective, it must be replaced by the manufacturer or an authorised repair agent.
- Children should be supervised to ensure that they do not play with the appliance.
- The use of this appliance by children or persons with a physical, sensory, mental or motorial disability, or lack of experience and knowledge can give cause to hazards. Persons responsible for their safety should give explicit instructions or supervise the use of the appliance.
- Do not use the appliance near bathtubs, showers, basins or other vessels containing water.
- Do not immerse the appliance in water or other liquids.

If the appliance is immersed in water or other liquids, do not remove the appliance with your hands. Immediately remove the mains plug from the wall socket. If the appliance is immersed in water or other liquids, do not use the appliance again.

- This appliance is intended to be used in domestic and similar applications such as staff kitchen areas in shops, offices and other working environments; farm houses; by clients in hotels, motels and other residential type environments; bed-and-breakfast type environments.

Electrical safety

- Before use, always check that the mains voltage is the same as the voltage on the rating plate of the appliance.
- The appliance is not intended to be operated by means of an external timer or separate remote-control system.
- Connect the appliance to an earthed wall socket. If necessary, use an earthed extension cable of a suitable diameter (at least 3 x 1 mm²).
- Make sure that water cannot enter the contact plugs of the mains cable and the extension cable.
- Always fully unwind the mains cable and the extension cable.
- Make sure that the mains cable does not hang over the edge of a worktop and cannot be caught accidentally or tripped over.
- Keep the mains cable away from heat, oil and sharp edges.
- Do not use the appliance if the mains cable or the mains plug is damaged or defective. If the mains cable or the mains plug is damaged or defective, it must be replaced by the manufacturer or an authorised repair agent.
- Do not pull the mains cable to disconnect the mains plug from the mains.
- Disconnect the mains plug from the mains when the appliance is not in use, before assembly or disassembly and before cleaning and maintenance.

Safety instructions for coffee makers

- Do not use the appliance outdoors.
- Do not use the appliance in damp environments.
- Only use the appliance in frost-free environments if the appliance is filled with water.
- Place the appliance on a stable and flat surface.
- Place the appliance on a heat-resistant and splash-proof surface.
- Do not place the appliance on a hob.
- Do not place the appliance on hot surfaces or near open flames.
- Make sure that the appliance does not come into contact with flammable material.
- Keep the appliance away from heat sources.
- Be careful with hot water and steam to avoid burns.
- Store the appliance in a dry place when not in use. Make sure that children do not have access to stored appliances.

U.K. Wiring instructions

The wires in the mains lead are coloured in accordance with the following code:

BLUE	NEUTRAL
BROWN	LIVE
GREEN/YELLOW	EARTH

As the colours of the wire in the mains lead of this appliance may not correspond with the colour markings identifying the terminals on your plug, proceed as follows:

The wire which is coloured BLUE must be connected to the terminal which is marked with the letter N or coloured black.

The wire which is coloured BROWN must be connected to the terminal which is marked with the letter L or coloured red.

The wire which is coloured GREEN/YELLOW must be connected to the terminal which is marked with the letter E or (earth symbol) and is coloured GREEN or GREEN/YELLOW.

If a 13Amp (BS1363) plug is used, a 13Amp (BS1362) fuse must be fitted, or if any other type of plug is used, a 13Amp fuse must be fitted, either in the plug or adaptor, or on the distribution board.

Warning! This appliance must be earthed.

Disclaimer

Subject to change; specifications can be changed without further notice.

Félicitations!

Vous avez acheté un produit Petra. Nous souhaitons vous proposer des produits de qualité associant un design raffiné et des prix accessibles. Nous espérons que vous profiterez longtemps de ce produit.

Description (fig. A - C)

Votre cafetière 249403 Petra a été conçue pour préparer du café avec des grains ou du café moulu. L'appareil est réservé à un usage à l'intérieur. L'appareil est réservé à un usage domestique.

1. Bouton marche/arrêt
2. Bouton de moulin
3. Sélecteur de quantité de café
4. Sélecteur de puissance du café
5. Bouton du minuteur
6. Bouton des heures
7. Bouton des minutes
8. Écran
9. Sélecteur de finesse du café moulu
10. Porte-filtre à café
11. Ensemble de porte-filtre
12. Bouton de déblocage (ensemble de porte-filtre)
13. Compartiment de grains de café
14. Réservoir d'eau
15. Indicateur de niveau d'eau
16. Pot de café
17. Indicateur de niveau de café
18. Plaque chauffante
19. Compartiment du moulin
20. Porte-filtre carbone
21. Brosse / tournevis
22. Orifice de vapeur
23. Bouton détartrage
 - A. Indicateur de quantité de café
 - B. Indicateur de puissance du café
 - C. Témoin du minuteur
 - D. Indicateur de détartrage
 - E. Indicateur de maintien de température

Utilisation initiale

Préparation

- Nettoyez l'appareil. Consultez la section

"Nettoyage et entretien".

- Nettoyez les accessoires. Consultez la section "Nettoyage et entretien".

Réglage de l'horloge (fig. B & C)

Si la fiche secteur est insérée dans la prise murale, l'écran (8) s'allume pour indiquer que l'horloge peut être réglée. Par la suite, l'horloge peut être ajustée à tout moment.

- Appuyez de manière répétée sur le bouton des heures (6) pour régler les heures.
- Appuyez de manière répétée sur le bouton des minutes (7) pour régler les minutes. L'heure est affichée à l'écran (8).

Utilisation

L'appareil peut servir à faire du café avec du café en grains ou moulu. Avant la première utilisation, l'appareil est réglé pour préparer du café en grains. Après chaque utilisation, l'appareil mémorise le dernier réglage d'utilisation : préparer du café avec du café en grains ou avec du café moulu.

L'appareil peut être utilisé uniquement si l'écran est actif. Si l'écran est inactif, appuyez sur un bouton quelconque pour l'activer. L'appareil est prêt à être utilisé.

Avant de procéder, vous devez faire attention aux remarques suivantes :

- Maintenez vos mains, votre visage et les autres parties de votre corps éloignés de l'orifice de vapeur. La vapeur de l'appareil devient très chaude pendant l'utilisation.
- Ne couvrez pas l'orifice de vapeur.

Remplissage du réservoir d'eau (fig. D)

Avant de procéder, vous devez faire attention aux remarques suivantes :

- Avant de remplir le réservoir d'eau, arrêtez l'appareil et débranchez la fiche secteur de la prise murale.
- Ne remplissez pas le réservoir avec plus d'eau qu'il n'est nécessaire pour faire le café. Utilisez uniquement la quantité d'eau nécessaire pour faire le café. L'appareil s'arrête automatiquement dès que le réservoir d'eau est rempli.

Avant de procéder, nous souhaiterions que vous preniez connaissance des remarques suivantes :

- N'utilisez pas l'appareil si le réservoir d'eau est vide.
 - Ne dépassez pas le repère maximum (10 tasses) lorsque vous remplissez le réservoir d'eau. Assurez-vous que le niveau de l'eau est toujours supérieur au repère minimum (2 tasses) durant l'utilisation.
 - Utilisez uniquement de l'eau froide pour remplir le réservoir d'eau.
 - N'utilisez pas de l'eau gazeuse ou autres liquides pour remplir le réservoir.
 - Ne versez pas d'eau dans le compartiment de grains de café.
- Ouvrez le couvercle (24).
 - Remplissez le réservoir (14) avec de l'eau jusqu'au repère sur l'indicateur de niveau d'eau (15).
 - Ne remplissez pas le réservoir avec plus d'eau qu'il n'est nécessaire pour faire le café. Utilisez uniquement la quantité d'eau nécessaire pour faire le café. L'appareil s'arrête automatiquement dès que le réservoir d'eau est rempli.
 - Fermez le couvercle (24).

Réglage de la quantité de café (fig. B & C)

Le sélecteur de quantité de café (3) sert à régler la quantité de café voulue.

Le sélecteur de quantité de café (3) peut être réglé sur 2, 4, 6, 8 ou 10 tasses.

Remarque : L'appareil peut être utilisé uniquement si l'écran est actif. Si l'écran est inactif, appuyez sur un bouton quelconque pour l'activer. L'appareil est prêt à être utilisé.

- Appuyez de manière répétée sur le sélecteur de quantité de café (3) pour régler la quantité de café. Le nombre de tasse (A) est affiché à l'écran (8).

Réglage de la puissance du café (fig. B & C)

Le sélecteur de puissance du café (4) sert à régler la puissance de café voulue.

Le sélecteur de puissance du café (4) peut être réglé sur un café doux (MILD), moyen (MEDIUM) ou fort (STRONG).

Remarque : L'appareil peut être utilisé uniquement si l'écran est actif. Si l'écran est inactif, appuyez sur un bouton quelconque pour l'activer. L'appareil est prêt à être utilisé.

- Appuyez de manière répétée sur le sélecteur de puissance du café (4) pour régler la puissance du café. La puissance du café (B) est affichée à l'écran (8).

Réglage de la finesse du café moulu (fig. E)

Le sélecteur de finesse du café moulu (9) sert à régler la finesse voulue pour le café moulu lorsque vous utilisez des grains de café. Le sélecteur de finesse du café moulu (9) peut adopter diverses positions de réglage, pour obtenir des grains moulus grossièrement ou finement.

- Positionnez le sélecteur de finesse du café moulu (9) selon vos désirs pour obtenir la finesse de café moulu voulue.

Préparer du café avec des grains de café (fig. A - H)

Avant de procéder, nous souhaiterions que vous preniez connaissance des remarques suivantes :

- Utilisez uniquement des grains de café adaptés à l'appareil.
 - Utilisez uniquement des filtres à café en papier (1x4) adaptés à l'appareil.
- Si la fonction de moulin est inactive, appuyez sur le bouton du moulin (2) pour l'activer. La quantité de café et la puissance du café sont affichées à l'écran.
 - Remplissez le réservoir d'eau (14) avec la quantité d'eau requise.
 - Ne remplissez pas le réservoir avec plus d'eau qu'il n'est nécessaire pour faire le café. Utilisez uniquement la quantité d'eau nécessaire pour faire le café. L'appareil s'arrête automatiquement dès que le réservoir d'eau est rempli.
 - Ouvrez le couvercle (27).

- Remplissez complètement le compartiment de grains de café (13).
- Fermez le couvercle (27).
- Réglez la finesse du café moulu. Consultez la section "Réglage de la finesse du café moulu".
- Appuyez sur le bouton de déblocage (12) pour ouvrir l'ensemble de porte-filtre (11).
- Placez un filtre à café adapté dans le porte-filtre à café (10).
- Fermez l'ensemble de porte-filtre (11) pour enclencher le bouton de déblocage (12).

Remarque : L'appareil peut être utilisé uniquement si l'écran est actif. Si l'écran est inactif, appuyez sur un bouton quelconque pour l'activer. L'appareil est prêt à être utilisé.

- Réglez la quantité de café. Consultez la section "Réglage de la quantité de café".
- Réglez la puissance du café. Consultez la section "Réglage de la puissance du café".
- Placez le pot de café (16) sur la plaque chauffante (18).
- Mettez l'appareil en marche en appuyant sur le bouton marche/arrêt (1). Le symbole de tasse de café (E) s'affiche. Après quelques secondes, l'appareil commence à moudre les grains de café et à préparer le café.
- Pour interrompre le processus, appuyez sur le bouton marche/arrêt (1).
- Si le processus est terminé, l'appareil émet un bip et passe en mode de maintien de température. Le symbole de tasse de café (E) clignote. L'appareil peut être mis hors tension en appuyant sur le bouton marche/arrêt (1). Sinon, il s'arrête automatiquement au bout de 2 heures.
- Laissez l'appareil refroidir complètement.

Préparation du café avec du café moulu (fig. A, B, C, D, F & G)

Avant de procéder, nous souhaiterions que vous preniez connaissance des remarques suivantes :

- Utilisez uniquement du café moulu adapté à l'appareil.
- Utilisez uniquement des filtres à café en papier (1x4) adaptés à l'appareil.

- Si la fonction de moulin est active, appuyez sur le bouton du moulin (2) pour la désactiver. La quantité de café et la puissance du café ne sont pas affichées à l'écran.
- Remplissez le réservoir d'eau (14) avec la quantité d'eau requise.
- Ne remplissez pas le réservoir avec plus d'eau qu'il n'est nécessaire pour faire le café. Utilisez uniquement la quantité d'eau nécessaire pour faire le café. L'appareil s'arrête automatiquement dès que le réservoir d'eau est rempli.
- Appuyez sur le bouton de déblocage (12) pour ouvrir l'ensemble de porte-filtre (11).
- Placez un filtre à café adapté dans le porte-filtre à café (10).
- Versez la quantité de café requise dans le filtre à café.
- Fermez l'ensemble de porte-filtre (11) pour enclencher le bouton de déblocage (12).
- Placez le pot de café (16) sur la plaque chauffante (18).

Remarque : L'appareil peut être utilisé uniquement si l'écran est actif. Si l'écran est inactif, appuyez sur un bouton quelconque pour l'activer. L'appareil est prêt à être utilisé.

- Mettez l'appareil en marche en appuyant sur le bouton marche/arrêt (1). Le symbole de tasse de café (E) s'affiche. L'appareil commence à préparer le café.
- Pour interrompre le processus, appuyez sur le bouton marche/arrêt (1).
- Si le processus est terminé, l'appareil émet un bip et passe en mode de maintien de température. Le symbole de tasse de café (E) clignote. L'appareil peut être mis hors tension en appuyant sur le bouton marche/arrêt (1). Sinon, il s'arrête automatiquement au bout de 2 heures.
- Laissez l'appareil refroidir complètement.

Fonction de retardateur (fig. B & C)

L'appareil bénéficie d'une fonction de retardateur afin de programmer l'heure de début du processus de préparation du café.

Remarque : L'appareil peut être utilisé uniquement si l'écran est actif. Si l'écran est inactif, appuyez sur un bouton quelconque pour l'activer. L'appareil est prêt à être utilisé.

- Réglez l'horloge. Vérifiez si l'horloge a déjà été réglée. Si l'horloge n'a pas été réglée, voir la section "Réglage de l'horloge".
- Maintenez le bouton du minuteur (5) appuyé pour que l'horloge de l'affichage clignote.
- Appuyez de manière répétée sur le bouton des heures (6) pour régler les heures.
- Appuyez de manière répétée sur le bouton des minutes (7) pour régler les minutes.
- Réglez la quantité de café. Consultez la section "Réglage de la quantité de café".
- Réglez la puissance du café. Consultez la section "Réglage de la puissance du café".
- Si vous préparez du café avec du café moulu, arrêtez la fonction de moulin avant d'utiliser la fonction de retardateur.
- Appuyez sur le bouton du minuteur (5) pour enregistrer les réglages. Le témoin du minuteur (C) est allumé en continu.
- Pour interrompre le processus, appuyez à nouveau sur le bouton du minuteur (5). Le témoin du minuteur (C) s'éteint.

Nettoyage et entretien

Avant de procéder, vous devez faire attention aux remarques suivantes :

- Avant le nettoyage ou l'entretien, arrêtez toujours l'appareil, débranchez la fiche secteur de la prise murale et attendez que l'appareil refroidisse.
- Ne plongez pas l'appareil dans l'eau ou autres liquides.

Avant de procéder, nous souhaiterions que vous preniez connaissance des remarques suivantes :

- N'utilisez pas de produits de nettoyage agressifs ou abrasifs pour nettoyer l'appareil.
- Ne nettoyez pas l'appareil avec des objets coupants.
- Contrôlez régulièrement les éventuels dommages sur l'appareil.

- Nettoyez les accessoires :
 - Nettoyez le pot de café à l'eau savonneuse.
 - Nettoyez le porte-filtre à café à l'eau savonneuse.
 - Nettoyez le couvercle du compartiment de grains de café à l'eau savonneuse.
 - Séchez soigneusement les accessoires.
- Nettoyez l'extérieur de l'appareil avec un chiffon humide. Séchez l'extérieur de l'appareil avec un chiffon propre et sec.
- Rangez l'appareil et les accessoires dans l'emballage d'origine.
- Rangez l'appareil dans un endroit sec, hors de portée des enfants et à l'abri du gel.

Nettoyage du compartiment du moulin (fig. C & I)

Lorsque vous moulez des grains de café, la poudre de café peut boucher le mécanisme du moulin. Le compartiment du moulin (19) peut être nettoyé toutes les 2 semaines pour éviter que le mécanisme du moulin ne se bouche.

Avant de procéder, nous souhaiterions que vous preniez connaissance des remarques suivantes :

- Avant de nettoyer le compartiment du moulin, procédez comme suit :
 - Éteignez l'appareil.
 - Débranchez la fiche secteur de la prise murale.
 - Retirez le pot de café de la plaque chauffante.
 - Videz le porte-filtre à café. Placez un filtre à café adapté. Fermez l'ensemble de porte-filtre.
- Retirez le couvercle (28).
- Nettoyez le compartiment du moulin (19) avec la brosse (21).
- Montez le couvercle (28).

Détartrage de l'appareil (fig. A - D)

L'appareil doit être détartré tous les 70 cycles de préparation. Si vous laissez la fiche secteur dans la prise murale, l'appareil conserve en mémoire le nombre de cycles de préparation. Le témoin (D) clignote à l'écran (8). pour indiquer que l'appareil doit être détartré.

Si l'appareil doit être détartré, utilisez un détartrant adapté. Des agents détartrants spéciaux sont disponibles auprès de notre station d'entretien.

Avant de détartrer l'appareil, l'ancien filtre carbone doit être retiré du réservoir d'eau. Le filtre carbone élimine le chlore et autres agents contaminants de l'eau pour purifier le goût du café. Après le détartrage de l'appareil, le nouveau filtre carbone doit être placé dans le réservoir d'eau. Des filtres carbone neufs sont proposés par notre station d'entretien.

Remarque : Petra décline toute responsabilité pour tout dommage occasionné par les agents détartrants. Les dommages causés par l'absence de détartrage régulier de l'appareil ne sont pas couverts par la garantie.

Avant de procéder, vous devez faire attention aux remarques suivantes :

- Avant son détartrage, arrêtez toujours l'appareil, débranchez la fiche secteur de la prise murale et attendez que l'appareil refroidisse.
- Ne plongez pas l'appareil dans l'eau ou autres liquides.
- Assurez-vous que la fonction du moulin est inactive lors du détartrage de l'appareil.

- Ouvrez le couvercle (24).
- Si nécessaire, videz le réservoir d'eau (14).
- Retirez le porte-filtre carbone (20) du réservoir d'eau (14).
- Ouvrez le couvercle (25).
- Retirez l'ancien filtre carbone (26).
- Placez le nouveau filtre carbone (26).
- Fermez le couvercle (25).

Remarque : Le porte-filtre carbone ne doit pas être placé dans le réservoir d'eau avant le détartrage de l'appareil.

- Remplissez le réservoir d'eau (14) avec un agent détartrant adapté.
- Placez le pot de café (16) sur la plaque chauffante (18).
- Insérez la fiche secteur dans la prise murale.
- Mettez l'appareil en marche en appuyant sur le bouton marche/arrêt (1).

- Laissez l'appareil en marche pour que le pot de café (16) contienne 1/3 de l'agent détartrant.
- Mettez l'appareil hors tension en appuyant sur le bouton marche/arrêt (1).
- Laissez l'agent détartrant agir environ 30 minutes.
- Mettez l'appareil en marche en appuyant sur le bouton marche/arrêt (1).
- Laissez l'appareil en marche pour que le pot de café (16) contienne le reste de l'agent détartrant. L'appareil s'arrête automatiquement dès que le réservoir d'eau (14) est vide.
- Rincez l'appareil deux fois selon la procédure suivante :
 - Remplissez le réservoir (14) avec de l'eau propre jusqu'au repère maximum sur l'indicateur de niveau d'eau (15).
 - Placez le pot de café vide (16) sur la plaque chauffante (18).
 - Mettez l'appareil en marche en appuyant sur le bouton marche/arrêt (1).
 - Laissez toute l'eau circuler dans l'appareil. L'appareil s'arrête automatiquement dès que le réservoir d'eau (14) est vide.
- Placez le porte-filtre carbone (20) dans le réservoir d'eau (14).
- Fermez le couvercle (24).
- Mettez l'appareil hors tension en appuyant sur le bouton marche/arrêt (1).
- Maintenez le sélecteur de quantité de café (3) et celui de puissance du café (4) enfoncés jusqu'à ce que le témoin (D) disparaisse de l'écran (8) (fig. C).
- Nettoyez l'extérieur de l'appareil avec un chiffon humide. Séchez l'extérieur de l'appareil avec un chiffon propre et sec. L'appareil est prêt à être utilisé.

Instructions de sécurité

Sécurité générale

- Lisez avec soin le manuel avant utilisation. Conservez le manuel pour référence future.
- Utilisez l'appareil et ses accessoires uniquement pour leurs fins prévues. N'utilisez pas l'appareil et ses accessoires pour tout autre objet que celui exposé dans le manuel.

- N'utilisez pas l'appareil si une pièce ou un accessoire quelconque est endommagé ou défectueux.
Si une pièce ou un accessoire quelconque est endommagé ou défectueux, il doit être remplacé par le fabricant ou par un réparateur agréé.
- Les enfants doivent toujours être surveillés pour s'assurer qu'ils ne jouent pas avec l'appareil.
- L'emploi de cet appareil par des enfants ou des personnes présentant un handicap physique, sensoriel, mental ou moteur voire ne disposant pas des connaissances et de l'expérience nécessaires est potentiellement dangereux. Les personnes responsables de leur sécurité doivent leur fournir des instructions explicites voire les surveiller pour utiliser l'appareil.
- N'utilisez pas l'appareil à proximité d'une baignoire, d'une douche, d'un lavabo ou d'autres récipients contenant de l'eau.
- Ne plongez pas l'appareil dans l'eau ou autres liquides. Si l'appareil est plongé dans l'eau ou d'autres liquides, ne retirez pas l'appareil avec vos mains. Débranchez immédiatement la fiche secteur de la prise murale. Si l'appareil est plongé dans l'eau ou autre liquide, ne l'utilisez pas à nouveau.
- Cet appareil est destiné à un usage domestique et pour des applications similaires comme les zones de cuisine dans une boutique, un bureau ou autre environnement ; les fermes ; la clientèle des hôtels, motels et autres environnements résidentiels ; et les Bed & Breakfast.
- Assurez-vous que l'eau ne peut pas s'infiltrer dans les contacts de prise du cordon d'alimentation et de la rallonge.
- Déroulez toujours complètement le cordon d'alimentation et la rallonge.
- Assurez-vous que le cordon d'alimentation ne pend pas sur le bord d'un plan de travail et ne peut pas être happé ou faire trébucher quelqu'un accidentellement.
- Maintenez le cordon d'alimentation à l'écart de la chaleur, de l'huile et des bords tranchants.
- N'utilisez pas l'appareil si le cordon d'alimentation ou la fiche secteur est endommagé ou défectueux. Si le cordon d'alimentation ou la fiche secteur est endommagé ou défectueux, il doit être remplacé par le fabricant ou par un réparateur agréé.
- Ne tirez pas sur le cordon d'alimentation pour débrancher la fiche secteur du secteur.
- Débranchez la fiche secteur du secteur lorsque l'appareil n'est pas utilisé, avant le montage ou le démontage de même qu'avant le nettoyage ou l'entretien.

Instructions de sécurité pour les cafetières

Sécurité électrique

- Avant toute utilisation, vérifiez que la tension du secteur correspond à celle indiquée sur la plaque signalétique de l'appareil.
- L'appareil n'est pas conçu pour être utilisé avec une minuterie externe ou un système de télécommande séparé.
- Connectez l'appareil à une prise murale mise à la terre. Si nécessaire, vous pouvez utiliser une rallonge d'un diamètre adapté (au moins 3 x 1 mm²).
- N'utilisez pas l'appareil à l'extérieur.
- N'utilisez pas l'appareil dans un environnement humide.
- Si l'appareil est rempli d'eau, utilisez-le uniquement dans un environnement protégé contre le gel.
- Placez l'appareil sur une surface stable et plane.
- Placez l'appareil sur une surface résistante à la chaleur et aux projections.
- Ne placez pas l'appareil sur une plaque de cuisson.
- Ne placez pas l'appareil sur une surface chaude ou à proximité de flammes nues.
- Assurez-vous que l'appareil n'entre en contact avec aucune matière inflammable.
- Maintenez l'appareil à l'écart des sources de chaleur.

-
- Attention à l'eau chaude et à la vapeur afin d'éviter les brûlures.
 - Rangez l'appareil dans un endroit sec lorsqu'il n'est pas utilisé. Assurez-vous que les enfants ne puissent pas accéder aux appareils rangés.

Clause de non responsabilité

Sous réserve de modifications ; les spécifications peuvent être modifiées sans préavis.

Herzlichen Glückwunsch!

Sie haben ein Petra Produkt erworben. Unser Ziel ist es, Qualitätsprodukte mit einem geschmackvollen Design zu einem erschwinglichen Preis anzubieten. Wir hoffen, dass Sie viele Jahre Gefallen an diesem Produkt finden.

Beschreibung (Abb. A - C)

Ihre 249403 Petra Kaffeemaschine wurde zur Zubereitung von Kaffee in Form von Kaffeebohnen oder gemahlenem Kaffee konzipiert. Das Gerät ist nur für den Gebrauch in geschlossenen Räumen geeignet. Das Gerät ist nur für den Hausgebrauch geeignet.

1. Ein-/Aus-Taste
2. Mahltaste
3. Kaffeemengenwähler
4. Kaffeestärkenwähler
5. Timer-Taste
6. Stunden-Taste
7. Minuten-Taste
8. Anzeige
9. Feinheitswähler für gemahlene Kaffee
10. Kaffeefilterhalter
11. Filterhalter-Baugruppe
12. Freigabetaste (Filterhalter-Baugruppe)
13. Kaffeebohnenfach
14. Wasserbehälter
15. Wasserstandanzeige
16. Kaffeekanne
17. Kaffeestandanzeige
18. Heizplatte
19. Mahlfach
20. Kohlefilterhalter
21. Bürste / Schraubendreher
22. Dampfloch
23. Entkalkungsknopf
- A. Kaffeemengenanzeige
- B. Kaffeestärkenanzeige
- C. Timer-Anzeige
- D. Entkalkungsanzeige
- E. Warmhalteanzeige

Erster Gebrauch

Vorbereitung

- Reinigen Sie das Gerät. Siehe Abschnitt "Reinigung und Wartung".
- Reinigen Sie das Zubehör. Siehe Abschnitt "Reinigung und Wartung".

Einstellen der Uhr (Abb. B & C)

Wird der Netzstecker in die Wandsteckdose gesteckt, leuchtet die Anzeige (8) auf, um anzuzeigen, dass die Uhr eingestellt werden kann. Die Uhr kann aber auch zu jedem späteren Zeitpunkt eingestellt werden.

- Drücken Sie wiederholt auf die Stunden-Taste (6), um die Stunden einzustellen.
- Drücken Sie wiederholt auf die Minuten-Taste (7), um die Minuten einzustellen. Die Zeit wird auf der Anzeige (8) sichtbar.

Gebrauch

Das Gerät kann zur Zubereitung von Kaffee mit Kaffeebohnen oder gemahlenem Kaffee verwendet werden. Vor dem Erstgebrauch ist das Gerät auf die Zubereitung von Kaffee mit Kaffeebohnen eingestellt. Nach jedem Gebrauch erinnert sich das Gerät an die letzte Einstellung für den nächsten Gebrauch: Zubereitung von Kaffee mit Kaffeebohnen oder Zubereitung von Kaffee mit gemahlenem Kaffee.

Das Gerät kann nur verwendet werden, wenn die Anzeige aktiviert ist. Ist die Anzeige nicht aktiviert, drücken Sie auf eine beliebige Taste, um die Anzeige zu aktivieren. Das Gerät ist gebrauchsbereit.

Bevor Sie fortfahren, beachten Sie bitte unbedingt die folgenden Hinweise:

- Halten Sie Ihre Hände, das Gesicht und andere Körperteile vom Dampfloch fern. Der Dampf aus dem Gerät wird beim Gebrauch sehr heiß.
- Decken Sie nicht das Dampfloch ab.

Füllen des Wasserbehälters (Abb. D)

Bevor Sie fortfahren, beachten Sie bitte unbedingt die folgenden Hinweise:

- Schalten Sie das Gerät aus und ziehen Sie den Netzstecker aus der Wandsteckdose, bevor Sie den Wasserbehälter füllen.
- Füllen Sie den Wasserbehälter nicht mit mehr Wasser, als es zur Zubereitung des Kaffees erforderlich ist. Verwenden Sie nur die zur Zubereitung des Kaffees erforderliche Wassermenge. Das Gerät stoppt automatisch, sobald der Wasserbehälter leer ist.

Bevor Sie fortfahren, richten Sie bitte Ihre Aufmerksamkeit auf folgende Hinweise:

- Verwenden Sie das Gerät nicht ohne Wasser im Wasserbehälter.
- Überschreiten Sie beim Füllen des Wasserbehälters nicht die Maximalmarke (10 Tassen). Vergewissern Sie sich, dass der Wasserstand beim Gebrauch stets oberhalb der Mindestmarke (2 Tassen) liegt.
- Verwenden Sie ausschließlich kaltes Wasser, um den Wasserbehälter zu füllen.
- Verwenden Sie kein kohlesäurehaltiges Wasser oder andere Flüssigkeiten, um den Wasserbehälter zu füllen.
- Gießen Sie kein Wasser in das Kaffeebohnenfach.
- Öffnen Sie den Deckel (24).
- Füllen Sie den Wasserbehälter (14) bis zur erforderlichen Marke auf der Wasserstandsanzeige (15) mit Wasser.
- Füllen Sie den Wasserbehälter nicht mit mehr Wasser, als es zur Zubereitung des Kaffees erforderlich ist. Verwenden Sie nur die zur Zubereitung des Kaffees erforderliche Wassermenge. Das Gerät stoppt automatisch, sobald der Wasserbehälter leer ist.
- Schließen Sie den Deckel (24).

Einstellen der Kaffeemenge (Abb. B & C)

Der Kaffeemengenwähler (3) wird zur Einstellung der erforderlichen Kaffeemenge verwendet. Der Kaffeemengenwähler (3) kann auf 2, 4, 6, 8 oder 10 Tassen eingestellt werden.

Hinweis: Das Gerät kann nur verwendet werden, wenn die Anzeige aktiviert ist. Ist die Anzeige nicht aktiviert, drücken Sie auf eine beliebige Taste, um die Anzeige zu aktivieren. Das Gerät ist gebrauchsbereit.

- Drücken Sie wiederholt auf den Kaffeemengenwähler (3), um die Kaffeemenge einzustellen. Die Anzahl der Tassen (A) wird auf der Anzeige (8) sichtbar.

Einstellen der Kaffeestärke (Abb. B & C)

Der Kaffeestärkenwähler (4) wird zur Einstellung der erforderlichen Kaffeestärke verwendet. Der Kaffeestärkenwähler (4) kann auf milden Kaffee (MILD), mittelstarken Kaffee (MEDIUM) und starken Kaffee (STRONG) eingestellt werden.

Hinweis: Das Gerät kann nur verwendet werden, wenn die Anzeige aktiviert ist. Ist die Anzeige nicht aktiviert, drücken Sie auf eine beliebige Taste, um die Anzeige zu aktivieren. Das Gerät ist gebrauchsbereit.

- Drücken Sie wiederholt auf den Kaffeestärkenwähler (4), um die Kaffeestärke einzustellen. Die Kaffeestärke (B) wird auf der Anzeige (8) sichtbar.

Einstellen der Feinheit von gemahlenem Kaffee (Abb. E)

Der Feinheitswähler für gemahlene Kaffee (9) wird zur Einstellung der erforderlichen Feinheit von gemahlenem Kaffee bei der Verwendung von Kaffeebohnen verwendet. Der Feinheitswähler für gemahlene Kaffee (9) kann auf verschiedene Positionen von feinkörnig bis grobkörnig eingestellt werden.

- Drehen Sie den Feinheitswähler für gemahlene Kaffee (9) auf die erforderliche Position, um die Feinheit des gemahlene Kaffees einzustellen.

Kaffee kochen mit Kaffeebohnen (Abb. A - H)

Bevor Sie fortfahren, richten Sie bitte Ihre Aufmerksamkeit auf folgende Hinweise:

- Verwenden Sie nur Kaffeebohnen, die für das Gerät geeignet sind.

- Verwenden Sie nur Papier-Kaffeefilter (1x4), die für das Gerät geeignet sind.
 - Ist die Mahlfunktion nicht aktiviert, drücken Sie auf die Mahltaste (2), um die Mahlfunktion zu aktivieren. Die Kaffeemenge und die Kaffeestärke werden auf der Anzeige sichtbar.
 - Füllen Sie den Wasserbehälter (14) mit der erforderlichen Wassermenge.
 - Füllen Sie den Wasserbehälter nicht mit mehr Wasser, als es zur Zubereitung des Kaffees erforderlich ist. Verwenden Sie nur die zur Zubereitung des Kaffees erforderliche Wassermenge. Das Gerät stoppt automatisch, sobald der Wasserbehälter leer ist.
 - Öffnen Sie den Deckel (27).
 - Füllen Sie das Kaffeebohnenfach (13) vollständig mit Kaffeebohnen auf.
 - Schließen Sie den Deckel (27).
 - Stellen Sie die Feinheit des gemahlene Kaffees ein. Siehe Abschnitt "Einstellen der Feinheit von gemahlenem Kaffee".
 - Drücken Sie auf die Freigabetaste (12), um die Filterhalter-Baugruppe (11) zu öffnen.
 - Legen Sie einen geeigneten Kaffeefilter in den Kaffeefilterhalter (10) ein.
 - Schließen Sie die Filterhalter-Baugruppe (11), bis die Freigabetaste (12) einrastet.
- Hinweis:** Das Gerät kann nur verwendet werden, wenn die Anzeige aktiviert ist. Ist die Anzeige nicht aktiviert, drücken Sie auf eine beliebige Taste, um die Anzeige zu aktivieren. Das Gerät ist gebrauchsbereit.
- Stellen Sie die Kaffeemenge ein. Siehe Abschnitt "Einstellen der Kaffeemenge".
 - Stellen Sie die Kaffeestärke ein. Siehe Abschnitt "Einstellen der Kaffeestärke".
 - Stellen Sie die Kaffeekanne (16) auf die Heizplatte (18).
 - Schalten Sie das Gerät durch Druck auf die Ein-/Aus-Taste (1) ein. Das Kaffeetassensymbol (E) erscheint. Nach einigen Sekunden beginnt das Gerät, Kaffeebohnen zu mahlen und Kaffee zuzubereiten.
 - Um den Vorgang zu unterbrechen, drücken Sie auf die Ein-/Aus-Taste (1).
 - Ist der Vorgang abgeschlossen, gibt das Gerät ein Signal von sich und schaltet in den Warmhaltemodus. Das Kaffeetassensymbol (E) beginnt zu blinken. Das Gerät kann durch Druck auf die Ein-/Aus-Taste (1) abgeschaltet werden; andernfalls schaltet es sich nach 2 Stunden automatisch ab.
 - Lassen Sie das Gerät vollständig abkühlen.

Kaffee kochen mit gemahlenem Kaffee (Abb. A, B, C, D, F & G)

Bevor Sie fortfahren, richten Sie bitte Ihre Aufmerksamkeit auf folgende Hinweise:

- Verwenden Sie nur gemahlene Kaffee, der für das Gerät geeignet sind.
 - Verwenden Sie nur Papier-Kaffeefilter (1x4), die für das Gerät geeignet sind.
 - Ist die Mahlfunktion aktiviert, drücken Sie auf die Mahltaste (2), um die Mahlfunktion zu deaktivieren. Die Kaffeemenge und die Kaffeestärke werden nicht auf der Anzeige sichtbar.
 - Füllen Sie den Wasserbehälter (14) mit der erforderlichen Wassermenge.
 - Füllen Sie den Wasserbehälter nicht mit mehr Wasser, als es zur Zubereitung des Kaffees erforderlich ist. Verwenden Sie nur die zur Zubereitung des Kaffees erforderliche Wassermenge. Das Gerät stoppt automatisch, sobald der Wasserbehälter leer ist.
 - Drücken Sie auf die Freigabetaste (12), um die Filterhalter-Baugruppe (11) zu öffnen.
 - Legen Sie einen geeigneten Kaffeefilter in den Kaffeefilterhalter (10) ein.
 - Geben Sie die erforderliche Kaffeemenge in den Kaffeefilter.
 - Schließen Sie die Filterhalter-Baugruppe (11), bis die Freigabetaste (12) einrastet.
 - Stellen Sie die Kaffeekanne (16) auf die Heizplatte (18).
- Hinweis:** Das Gerät kann nur verwendet werden, wenn die Anzeige aktiviert ist. Ist die Anzeige nicht aktiviert, drücken Sie auf eine beliebige Taste, um die Anzeige zu aktivieren. Das Gerät ist gebrauchsbereit.
- Schalten Sie das Gerät durch Druck auf die Ein-/Aus-Taste (1) ein.

Das Kaffeetassensymbol (E) erscheint. Das Gerät beginnt mit der Zubereitung des Kaffees.

- Um den Vorgang zu unterbrechen, drücken Sie auf die Ein-/Aus-Taste (1).
- Ist der Vorgang abgeschlossen, gibt das Gerät ein Signal von sich und schaltet in den Warmhaltemodus. Das Kaffeetassensymbol (E) beginnt zu blinken. Das Gerät kann durch Druck auf die Ein-/Aus-Taste (1) abgeschaltet werden; andernfalls schaltet es sich nach 2 Stunden automatisch ab.
- Lassen Sie das Gerät vollständig abkühlen.

Startverzögerungsfunktion (Abb. B & C)

Das Gerät hat eine Startverzögerung, die eine Programmierung der Startzeit der Kaffeezubereitung ermöglicht.

Hinweis: Das Gerät kann nur verwendet werden, wenn die Anzeige aktiviert ist. Ist die Anzeige nicht aktiviert, drücken Sie auf eine beliebige Taste, um die Anzeige zu aktivieren. Das Gerät ist gebrauchsbereit.

- Stellen Sie die Uhr ein. Prüfen Sie, ob die Uhr bereits gestellt wurde. Wurde die Uhr nicht gestellt, schlagen Sie im Abschnitt "Einstellen der Uhr" nach.
- Halten Sie die Timer-Taste (5) gedrückt, bis die Uhr auf der Anzeige blinkt.
- Drücken Sie wiederholt auf die Stunden-Taste (6), um die Stunden einzustellen.
- Drücken Sie wiederholt auf die Minuten-Taste (7), um die Minuten einzustellen.
- Stellen Sie die Kaffeemenge ein. Siehe Abschnitt "Einstellen der Kaffeemenge".
- Stellen Sie die Kaffeestärke ein. Siehe Abschnitt "Einstellen der Kaffeestärke".
- Falls Sie Kaffee mit bereits gemahlene Bohnen zubereiten möchten, schalten Sie die Mahlfunktion ab, bevor Sie die Startverzögerungsfunktion verwenden.
- Drücken Sie auf die Timer-Taste (5), um die Einstellungen zu speichern. Die Timer-Anzeige (C) leuchtet kontinuierlich.
- Um den Vorgang zu unterbrechen, drücken Sie erneut auf die Timer-Taste (5). Die Timer-Anzeige (C) erlischt.

Reinigung und Wartung

Bevor Sie fortfahren, beachten Sie bitte unbedingt die folgenden Hinweise:

- Schalten Sie das Gerät vor der Reinigung und Wartung stets aus, ziehen Sie den Netzstecker aus der Wandsteckdose und warten Sie, bis das Gerät abgekühlt ist.
- Tauchen Sie das Gerät niemals in Wasser oder andere Flüssigkeiten ein.

Bevor Sie fortfahren, richten Sie bitte Ihre Aufmerksamkeit auf folgende Hinweise:

- Verwenden Sie keine aggressiven oder scheuernden Mittel, um das Gerät zu reinigen.
- Verwenden Sie keine scharfen Gegenstände, um das Gerät zu reinigen.
- Kontrollieren Sie das Gerät regelmäßig auf mögliche Schäden.
- Reinigen Sie das Zubehör:
 - Reinigen Sie die Kaffeekanne in Seifenwasser.
 - Reinigen Sie den Kaffeefilterhalter in Seifenwasser.
 - Reinigen Sie den Deckel des Kaffeebohnenfachs in Seifenwasser.
 - Trocknen Sie das Zubehör gründlich ab.
- Reinigen Sie das Äußere des Geräts mit einem feuchten Lappen. Trocknen Sie das Äußere des Geräts mit einem sauberen trockenen Lappen ab.
- Verstauen Sie das Gerät und das Zubehör in der Originalverpackung.
- Bewahren Sie das Gerät an einem trockenen, frostfreien und für Kinder unerreichen Ort auf.

Reinigung des Mahlfachs (Abb. C & I)

Beim Mahlen von Kaffeebohnen kann Kaffeepulver den Mahlmechanismus verstopfen. Das Mahlfach (19) kann alle 2 Wochen gereinigt werden, um zu verhindern, dass der Mahlmechanismus verstopft wird.

Bevor Sie fortfahren, richten Sie bitte Ihre Aufmerksamkeit auf folgende Hinweise:

- Treffen Sie vor der Reinigung des Mahlfachs folgende Maßnahmen:

- Schalten Sie das Gerät aus.
- Ziehen Sie den Netzstecker aus der Wandsteckdose.
- Nehmen Sie die Kaffeekanne von der Heizplatte.
- Leeren Sie den Kaffeefilterhalter. Legen Sie einen geeigneten Kaffeefilter ein. Schließen Sie die Filterhalter-Baugruppe.

- Entfernen Sie den Deckel (28).
- Reinigen Sie das Mahlfach (19) mit der Bürste (21).
- Bringen Sie den Deckel (28) an.

Entkalken des Geräts (Abb. A - D)

Das Gerät muss alle 70 Brühzyklen entkalkt werden. Wenn Sie den Netzstecker in der Wandsteckdose lassen, protokolliert das Gerät die Anzahl an Brühzyklen. Die Anzeige (D) blinkt, um darauf hinzuweisen, dass das Gerät entkalkt werden muss. Muss das Gerät entkalkt werden, verwenden Sie einen geeigneten Entkalker. Spezielle Entkalker sind bei unserem Kundendienst erhältlich.

Vor dem Entkalken des Geräts muss der alte Kohlefilter aus dem Wasserbehälter entfernt werden. Für einen reinen Kaffeegeschmack entfernt der Kohlefilter Chlor und andere Verunreinigungen aus dem Wasser. Nach dem Entkalken des Geräts muss ein neuer Kohlefilter in den Wasserbehälter eingesetzt werden. Neue Kohlefilter stehen bei unserer Servicestation zur Verfügung.

Hinweis: Petra haftet nicht für durch Entkalker entstandene Schäden. Schäden, die durch ein nicht regelmäßiges Entkalken des Geräts entstanden sind, sind nicht von der Garantie abgedeckt.

Bevor Sie fortfahren, beachten Sie bitte unbedingt die folgenden Hinweise:

- Ziehen Sie vor dem Entkalken des Geräts den Netzstecker aus der Wandsteckdose und warten Sie, bis das Gerät abgekühlt ist.
- Tauchen Sie das Gerät niemals in Wasser oder andere Flüssigkeiten ein.
- Vergewissern Sie sich, dass die Mahlfunktion nicht aktiviert ist, wenn das Gerät entkalkt wird.

- Öffnen Sie den Deckel (24).
- Leeren Sie den Wasserbehälter (14) ggf.
- Entfernen Sie den Kohlefilterhalter (20) aus dem Wasserbehälter (14).
- Öffnen Sie den Deckel (25).
- Entfernen Sie den alten Kohlefilter (26).
- Setzen Sie den neuen Kohlefilter (26) ein.
- Schließen Sie den Deckel (25).

Hinweis: Der Kohlefilterhalter darf erst in den Wasserbehälter eingesetzt werden, nachdem das Gerät entkalkt worden ist.

- Füllen Sie den leeren Wasserbehälter (14) mit einem geeigneten Entkalker.
- Stellen Sie die Kaffeekanne (16) auf die Heizplatte (18).
- Stecken Sie den Netzstecker in die Wandsteckdose.
- Schalten Sie das Gerät durch Druck auf die Ein-/Aus-Taste (1) ein.
- Lassen Sie das Gerät laufen, bis sich 1/3 des Entkalkers in der Kaffeekanne (16) befindet.
- Schalten Sie das Gerät durch Druck auf die Ein-/Aus-Taste (1) aus.
- Lassen Sie den Entkalker ca. 30 Minuten lang einwirken.
- Schalten Sie das Gerät durch Druck auf die Ein-/Aus-Taste (1) ein.
- Lassen Sie das Gerät laufen, bis sich der restliche Entkalker in der Kaffeekanne (16) befindet. Das Gerät stoppt automatisch, sobald der Wasserbehälter (14) leer ist.
- Spülen Sie das Gerät entsprechend den unten aufgeführten Anweisungen zwei Mal durch:
 - Füllen Sie den Wasserbehälter (14) bis zur Maximalmarke auf der Wasserstandsanzeige (15) mit sauberem Wasser.
 - Stellen Sie die leere Kaffeekanne (16) auf die Heizplatte (18).
 - Schalten Sie das Gerät durch Druck auf die Ein-/Aus-Taste (1) ein.
 - Lassen Sie das gesamte Wasser durch das Gerät laufen. Das Gerät stoppt automatisch, sobald der Wasserbehälter (14) leer ist.
- Setzen Sie den Kohlefilterhalter (20) in den Wasserbehälter (14) ein.
- Schließen Sie den Deckel (24).

- Schalten Sie das Gerät durch Druck auf die Ein-/Aus-Taste (1) aus.
- Halten Sie den Kaffeemengenwähler (3) und den Kaffeestärkenwähler (4) gedrückt, bis die Anzeige (D) auf der Anzeige (8) verschwindet (Abb. C).
- Reinigen Sie das Äußere des Geräts mit einem feuchten Lappen. Trocknen Sie das Äußere des Geräts mit einem sauberen trockenen Lappen ab. Das Gerät ist gebrauchsbereit.

Sicherheitsanweisungen

Allgemeine Sicherheit

- Lesen Sie das Handbuch vor dem Gebrauch genau durch. Bewahren Sie das Handbuch zur künftigen Bezugnahme auf.
- Verwenden Sie das Gerät und sein Zubehör nur für den Zweck, für den es konstruiert wurde. Verwenden Sie das Gerät und sein Zubehör nicht für Zwecke, die nicht in diesem Handbuch beschrieben sind.
- Verwenden Sie das Gerät nicht, wenn ein Teil oder Zubehör beschädigt oder defekt ist. Ist ein Teil oder Zubehör beschädigt oder defekt, muss es vom Hersteller oder einem autorisierten Reparaturbetrieb ausgetauscht werden.
- Kinder müssen stets beaufsichtigt werden, um sicherzustellen, dass sie nicht mit dem Gerät spielen.
- Die Benutzung des Geräts durch Kinder oder durch Personen mit eingeschränkten körperlichen, sensorischen, geistigen oder motorischen Fähigkeiten oder ohne das erforderliche Wissen und die nötige Erfahrung kann gefährlich sein! Die für die Sicherheit verantwortlichen Personen müssen klare Anweisungen geben oder den Gebrauch des Geräts beaufsichtigen.
- Verwenden Sie das Gerät nicht in der Nähe von Badewannen, Duschen, Bassins oder anderen Wasserbehältern.
- Tauchen Sie das Gerät niemals in Wasser oder andere Flüssigkeiten ein. Falls das Gerät in Wasser oder andere Flüssigkeiten eingetaucht wurde, nehmen Sie es nicht mit Ihren Händen heraus.

Ziehen Sie sofort den Netzstecker aus der Wandsteckdose. Falls das Gerät in Wasser oder andere Flüssigkeiten eingetaucht wird, darf es nicht mehr verwendet werden.

- Dieses Gerät darf nur für den Hausgebrauch und ähnliche Anwendungen wie in Personalküchenbereichen von Geschäften, Büros und anderen Arbeitsumgebungen, in Gutshäusern und von Kunden in Hotels, Motels und anderen Wohnbereichen zum Schlafen und Frühstücken verwendet werden.

Elektrische Sicherheit

- Vergewissern Sie sich vor dem Gebrauch stets, dass die Netzspannung mit der Spannung auf dem Typenschild des Geräts übereinstimmt.
- Das Gerät ist nicht dafür ausgelegt, von einer externen Zeitschaltuhr oder einem Fernsteuersystem betrieben zu werden.
- Schließen Sie das Gerät an eine geerdete Wandsteckdose an. Verwenden Sie nötigenfalls ein geerdetes Verlängerungskabel mit einem geeigneten Durchmesser (mindestens 3 x 1 mm²).
- Stellen Sie sicher, dass kein Wasser in die Steckkontakte des Netzkabels und in das Verlängerungskabel eindringen kann.
- Wickeln Sie das Netzkabel und das Verlängerungskabel stets vollständig ab.
- Vergewissern Sie sich, dass das Netzkabel nicht an der Kante einer Arbeitsplatte hängen bleibt und nicht versehentlich daran gezogen oder darüber gestolpert wird.
- Halten Sie das Netzkabel von Hitzequellen, Öl und scharfen Kanten fern.
- Verwenden Sie das Gerät nicht, wenn das Netzkabel oder der Netzstecker beschädigt oder defekt ist. Ist das Netzkabel oder der Netzstecker beschädigt oder defekt, muss das Teil vom Hersteller oder einem autorisierten Reparaturbetrieb ausgetauscht werden.
- Ziehen Sie niemals am Netzkabel, um den Netzstecker aus der Wandsteckdose zu ziehen.

-
- Ziehen Sie den Netzstecker aus der Wandsteckdose, wenn das Gerät nicht gebraucht wird, sowie vor der Zerlegung bzw. dem Zusammenbau und vor der Reinigung und Wartung.

Sicherheitsanweisungen für Kaffeemaschinen

- Verwenden Sie das Gerät nicht im Freien.
- Verwenden Sie das Gerät nicht in feuchten Umgebungen.
- Verwenden Sie das Gerät nur in frostfreien Umgebungen, wenn das Gerät mit Wasser gefüllt ist.
- Stellen Sie das Gerät auf eine stabile, flache Oberfläche.
- Stellen Sie das Gerät auf eine hitzebeständige und spritzgeschützte Oberfläche.
- Stellen Sie das Gerät nicht auf ein Kochfeld.
- Stellen Sie das Gerät nicht auf heiße Oberflächen oder in die Nähe von offenen Flammen.
- Stellen Sie sicher, dass das Gerät nicht mit entzündlichem Material in Berührung kommt.
- Halten Sie das Gerät von Wärmequellen fern.
- Gehen Sie vorsichtig mit heißem Wasser und Dampf um, um Verbrennungen zu vermeiden.
- Bewahren Sie das Gerät bei Nichtgebrauch an einem trockenen Ort auf. Vergewissern Sie sich, dass Kinder keinen Zugang zu den aufbewahrten Geräten haben.

Haftungsausschluss

Änderungen vorbehalten; die Daten können ohne Vorankündigung geändert werden.

Congratulazioni!

Avete acquistato un prodotto Petra. Il nostro scopo è quello di fornire prodotti di qualità con un design gradevole, ad un prezzo interessante. Ci auguriamo che possiate usufruire di questo prodotto per molti anni a venire.

Descrizione (fig. A - C)

La macchina per caffè 249403 Petra è stata progettata per preparare caffè utilizzando caffè in grani o macinato. L'apparecchio è adatto esclusivamente per l'uso al coperto. L'apparecchio è adatto esclusivamente per uso domestico.

1. Pulsante di accensione/spengimento
2. Pulsante di macinatura
3. Selettore della quantità di caffè
4. Selettore della concentrazione di caffè
5. Pulsante del timer
6. Pulsante delle ore
7. Pulsante dei minuti
8. Display
9. Selettore del grado di macinatura del caffè
10. Portafiltro
11. Gruppo del portafiltro
12. Pulsante di sgancio (gruppo del portafiltro)
13. Contenitore per il caffè in grani
14. Serbatoio dell'acqua
15. Indicatore del livello dell'acqua
16. Caraffa per caffè
17. Indicatore del livello del caffè
18. Piastra riscaldante
19. Macinacaffè
20. Supporto del filtro al carbone
21. Spazzola / cacciavite
22. Ugello del vapore
23. Pulsante di decalcificazione
 - A. Indicatore della quantità di caffè
 - B. Indicatore della concentrazione di caffè
 - C. Spia del timer
 - D. Indicatore di decalcificazione
 - E. Spia di mantenimento del calore

Primo utilizzo

Preparazione

- Pulire l'apparecchio. Consultare la sezione "Pulizia e manutenzione".

- Pulire gli accessori. Consultare la sezione "Pulizia e manutenzione".

Impostazione dell'orologio (fig. B & C)

Quando la spina viene inserita in una presa elettrica a parete, il display (8) si illumina indicando che è possibile impostare l'orologio. L'orologio può essere impostato anche successivamente in qualunque momento.

- Premere ripetutamente il pulsante delle ore (6) per impostare le ore.
- Premere ripetutamente il pulsante dei minuti (7) per impostare i minuti. Viene visualizzato l'orario sul display (8).

Uso

L'apparecchio può essere utilizzato per preparare caffè utilizzando caffè in grani o macinato. Prima del primo utilizzo, l'apparecchio è preimpostato per utilizzare caffè in grani. Dopo ciascun utilizzo, l'apparecchio memorizza l'ultima impostazione utilizzata per l'uso successivo: preparare caffè utilizzando caffè in grani oppure caffè macinato.

L'apparecchio è utilizzabile solo quando il display è attivo. Se il display non è attivo, premere un qualsiasi pulsante per attivarlo. L'apparecchio è pronto all'uso.

Prima di procedere, è necessario porre attenzione alle seguenti note:

- Mantenere mani, volto e altre parti del corpo a distanza dall'ugello del vapore. Il vapore prodotto dall'apparecchio diventa molto caldo durante l'uso.
- Non coprire l'ugello del vapore.

Riempimento del serbatoio dell'acqua (fig. D)

Prima di procedere, è necessario porre attenzione alle seguenti note:

- Prima di riempire il serbatoio dell'acqua, spegnere l'apparecchio e staccare la spina di alimentazione dalla presa elettrica a parete.

- Non riempire il serbatoio dell'acqua con una quantità d'acqua superiore a quella necessaria per fare il caffè.
Utilizzare esclusivamente la quantità d'acqua necessaria per fare il caffè.
L'apparecchio si arresta automaticamente quando il serbatoio dell'acqua è vuoto.

Prima di procedere, si prega di porre attenzione alle seguenti note:

- Non utilizzare l'apparecchio senza acqua nel serbatoio dell'acqua.
- Riempiendo il serbatoio dell'acqua non superare il segno indicatore del massimo livello (10 tazze). Verificare che il livello dell'acqua sia sempre sopra l'indicatore di minimo livello (2 tazze) durante l'uso.
- Utilizzare esclusivamente acqua fredda per riempire il serbatoio dell'acqua.
- Non utilizzare acqua gassata o altri liquidi per riempire il serbatoio dell'acqua.
- Non versare acqua nel contenitore per il caffè in grani.
- Aprire il coperchio (24).
- Riempire il serbatoio dell'acqua (14) fino al contrassegno richiesto sull'indicatore del livello dell'acqua (15).
- Non riempire il serbatoio dell'acqua con una quantità d'acqua superiore a quella necessaria per fare il caffè. Utilizzare esclusivamente la quantità d'acqua necessaria per fare il caffè. L'apparecchio si arresta automaticamente quando il serbatoio dell'acqua è vuoto.
- Chiudere il coperchio (24).

Impostazione della quantità di caffè (fig. B & C)

Il selettore della quantità di caffè (3) viene utilizzato per impostare la quantità di caffè richiesta. Il selettore della quantità di caffè (3) può essere impostato su 2, 4, 6, 8 o 10 tazze.

Nota: L'apparecchio è utilizzabile solo quando il display è attivo. Se il display non è attivo, premere un qualsiasi pulsante per attivarlo. L'apparecchio è pronto all'uso.

- Premere ripetutamente il selettore della quantità di caffè (3) per impostare la quantità di caffè. Il numero di tazze (A) viene visualizzato sul display (8).

Impostazione della concentrazione di caffè (fig. B & C)

Il selettore della concentrazione di caffè (4) viene utilizzato per impostare la concentrazione di caffè richiesta. Il selettore della concentrazione di caffè (4) può essere impostato su caffè leggero (MILD), caffè medio (MEDIUM) e caffè forte (STRONG).

Nota: L'apparecchio è utilizzabile solo quando il display è attivo. Se il display non è attivo, premere un qualsiasi pulsante per attivarlo. L'apparecchio è pronto all'uso.

- Premere ripetutamente il selettore della concentrazione di caffè (4) per impostare la concentrazione di caffè. La concentrazione del caffè (B) viene visualizzata sul display (8).

Impostazione del grado di macinatura del caffè (fig. E)

Il selettore del grado di macinatura del caffè (9) viene utilizzato per impostare la finezza richiesta del caffè macinato quando si utilizza il caffè in grani. Il selettore del grado di macinatura del caffè (9) può essere impostato in varie posizioni da fine a grosso.

- Ruotare il selettore del grado di macinatura del caffè (9) nella posizione richiesta per impostare il grado di macinatura del caffè.

Preparazione del caffè con il caffè in grani (fig. A - H)

Prima di procedere, si prega di porre attenzione alle seguenti note:

- Utilizzare solo caffè in grani adatto per l'apparecchio.
- Utilizzare solo filtri da caffè in carta (1x4) adatti per l'apparecchio.
- Se la funzione di macinatura non è attiva, premere il pulsante di macinatura (2) per attivarla. La quantità di caffè e la concentrazione del caffè vengono visualizzati sul display.
- Riempire il serbatoio dell'acqua (14) con la quantità d'acqua richiesta.
- Non riempire il serbatoio dell'acqua con una quantità d'acqua superiore a quella necessaria per fare il caffè.

Utilizzare esclusivamente la quantità d'acqua necessaria per fare il caffè. L'apparecchio si arresta automaticamente quando il serbatoio dell'acqua è vuoto.

- Aprire il coperchio (27).
- Riempire completamente il contenitore per il caffè in grani (13) con i chicchi di caffè.
- Chiudere il coperchio (27).
- Impostare il grado di macinatura del caffè. Consultare la sezione "Impostazione del grado di macinatura del caffè".
- Premere il pulsante di sgancio (12) per aprire il gruppo del portafiltro (11).
- Collocare un filtro da caffè adatto nel portafiltro (10).
- Chiudere il gruppo del portafiltro (11) premendolo finché il pulsante di sgancio (12) non scatta in posizione.

Nota: L'apparecchio è utilizzabile solo quando il display è attivo. Se il display non è attivo, premere un qualsiasi pulsante per attivarlo. L'apparecchio è pronto all'uso.

- Impostare la quantità di caffè. Consultare la sezione "Impostazione della quantità di caffè".
- Impostare la concentrazione di caffè. Consultare la sezione "Impostazione della concentrazione di caffè".
- Collocare la caraffa per caffè (16) sulla piastra riscaldante (18).
- Accendere l'apparecchio premendo il pulsante di accensione/spengimento (1). Compare l'icona della tazza di caffè (E). Dopo qualche secondo, l'apparecchio inizia a macinare i chicchi di caffè e a preparare il caffè.
- Per interrompere il processo, premere il pulsante di accensione/spengimento (1).
- Se il processo è completo, l'apparecchio emette un segnale acustico e passa in modalità di mantenimento del calore. L'icona della tazza di caffè (E) inizia a lampeggiare. L'apparecchio può essere spento tramite il pulsante di accensione/spengimento (1), oppure si spegne automaticamente dopo 2 ore.
- Far raffreddare completamente l'apparecchio.

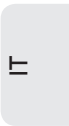
Preparazione del caffè con caffè macinato (fig. A, B, C, D, F & G)

Prima di procedere, si prega di porre attenzione alle seguenti note:

- Utilizzare solo caffè macinato adatto per l'apparecchio.
- Utilizzare solo filtri da caffè in carta (1x4) adatti per l'apparecchio.
- Se la funzione di macinatura è attiva, premere il pulsante di macinatura (2) per disattivarla. La quantità di caffè e la concentrazione del caffè non vengono visualizzati sul display.
- Riempire il serbatoio dell'acqua (14) con la quantità d'acqua richiesta.
- Non riempire il serbatoio dell'acqua con una quantità d'acqua superiore a quella necessaria per fare il caffè. Utilizzare esclusivamente la quantità d'acqua necessaria per fare il caffè. L'apparecchio si arresta automaticamente quando il serbatoio dell'acqua è vuoto.
- Premere il pulsante di sgancio (12) per aprire il gruppo del portafiltro (11).
- Collocare un filtro da caffè adatto nel portafiltro (10).
- Inserire la quantità richiesta di caffè nel portafiltro.
- Chiudere il gruppo del portafiltro (11) premendolo finché il pulsante di sgancio (12) non scatta in posizione.
- Collocare la caraffa per caffè (16) sulla piastra riscaldante (18).

Nota: L'apparecchio è utilizzabile solo quando il display è attivo. Se il display non è attivo, premere un qualsiasi pulsante per attivarlo. L'apparecchio è pronto all'uso.

- Accendere l'apparecchio premendo il pulsante di accensione/spengimento (1). Compare l'icona della tazza di caffè (E). L'apparecchio inizia a preparare il caffè.
- Per interrompere il processo, premere il pulsante di accensione/spengimento (1).
- Se il processo è completo, l'apparecchio emette un segnale acustico e passa in modalità di mantenimento del calore. L'icona della tazza di caffè (E) inizia a lampeggiare.



L'apparecchio può essere spento tramite il pulsante di accensione/spengimento (1), oppure si spegne automaticamente dopo 2 ore.

- Far raffreddare completamente l'apparecchio.

Funzione di avvio posticipato (fig. B & C)

L'apparecchio è dotato di una funzione di avvio posticipato che rende possibile programmare l'avvio del processo di preparazione del caffè.

Nota: L'apparecchio è utilizzabile solo quando il display è attivo. Se il display non è attivo, premere un qualsiasi pulsante per attivarlo. L'apparecchio è pronto all'uso.

- Impostare l'orologio. Verificare se l'orologio è già stato regolato. Nel caso non sia stato regolato, consultare la sezione "Impostazione dell'orologio".
- Mantenere premuto il pulsante del timer (5) finché l'orologio sul display non lampeggia.
- Premere ripetutamente il pulsante delle ore (6) per impostare le ore.
- Premere ripetutamente il pulsante dei minuti (7) per impostare i minuti.
- Impostare la quantità di caffè. Consultare la sezione "Impostazione della quantità di caffè".
- Impostare la concentrazione di caffè. Consultare la sezione "Impostazione della concentrazione di caffè".
- Per preparare il caffè con caffè macinato, disattivare la funzione macinacaffè prima di utilizzare la funzione di avvio posticipato.
- Premere il pulsante del timer (5) per salvare le impostazioni. La spia del timer (C) si accende in modo continuo.
- Per interrompere il processo, premere nuovamente il pulsante del timer (5). La spia del timer (C) si spegne.

Pulizia e manutenzione

Prima di procedere, è necessario porre attenzione alle seguenti note:

- Prima di qualsiasi operazione di pulizia o manutenzione, spegnere sempre l'apparecchio, scollegare la spina di alimentazione dalla presa elettrica a parete e attendere che l'apparecchio si raffreddi.
- Non immergere l'apparecchio in acqua o in altri liquidi.

Prima di procedere, si prega di porre attenzione alle seguenti note:

- Non utilizzare detergenti aggressivi o abrasivi per pulire l'apparecchio.
- Non utilizzare oggetti affilati per pulire l'apparecchio.
- Controllare l'apparecchio a intervalli regolari, verificando che non sia danneggiato.
- Pulizia degli accessori:
 - Lavare la caraffa per caffè in acqua e sapone.
 - Lavare il portafiltro in acqua e sapone.
 - Lavare il coperchio del contenitore per il caffè in grani in acqua e sapone.
 - Asciugare a fondo gli accessori.
- Pulire l'esterno dell'apparecchio con un panno umido. Asciugare l'esterno dell'apparecchio con un panno pulito e asciutto.
- Collocare l'apparecchio e gli accessori nell'imballaggio originale.
- Riporre l'apparecchio in un luogo asciutto, al riparo dal gelo e fuori dalla portata dei bambini.

Pulizia del macinacaffè (fig. C & I)

Durante la macinatura del caffè in grani, la polvere di caffè può bloccare il meccanismo di macinatura. Si consiglia di pulire il macinacaffè (19) ogni 2 settimane per evitare il blocco del meccanismo di macinatura.

Prima di procedere, si prega di porre attenzione alle seguenti note:

- Prima di pulire il macinacaffè, procedere come descritto di seguito.
 - Spegnere l'apparecchio.
 - Disinserire la spina di alimentazione dalla presa a parete.
 - Rimuovere la caraffa per caffè dalla piastra riscaldante.

- Svuotare il portafiltro. Inserire un filtro per caffè adatto. Chiudere il gruppo del portafiltro.
- Rimuovere il coperchio (28).
- Pulire il macinacaffè (19) con la spazzola (21).
- Montare il coperchio (28).

Decalcificazione dell'apparecchio (fig. A - D)

L'apparecchio deve essere decalcificato ogni 70 cicli di utilizzo. Se viene lasciata la spina di alimentazione nella presa a parete, l'apparecchio terrà traccia del numero di cicli di preparazione. La spia (D) lampeggerà sul display per indicare che l'apparecchio deve essere decalcificato. Se è necessario decalcificare l'apparecchio, utilizzare un agente decalcificante adatto. Speciali agenti decalcificanti sono disponibili presso il centro assistenza.

Prima di decalcificare l'apparecchio, è necessario rimuovere il filtro al carbone dal serbatoio dell'acqua. Il filtro al carbone consente di rimuovere il cloro e altri contaminanti dall'acqua, per ottenere un caffè dal gusto perfetto. Dopo aver decalcificato l'apparecchio, è necessario inserire un nuovo filtro al carbone nel serbatoio dell'acqua. Filtri al carbone di ricambio sono disponibili presso il nostro centro di assistenza.

Nota: Petra declina ogni responsabilità per eventuali danni causati dagli agenti decalcificanti. I danni causati dalla mancata decalcificazione dell'apparecchio non sono coperti dalla garanzia.

Prima di procedere, è necessario porre attenzione alle seguenti note:

- Prima di decalcificare l'apparecchio, staccare la spina di alimentazione dalla presa elettrica a parete e attendere che l'apparecchio si raffreddi.
- Non immergere l'apparecchio in acqua o in altri liquidi.

- Assicurarsi che la funzione di macinatura non sia attivata quando si decalcifica l'apparecchio.
- Aprire il coperchio (24).
- Se necessario vuotare il serbatoio dell'acqua (14).
- Rimuovere il supporto del filtro al carbone (20) dal serbatoio dell'acqua (14).
- Aprire il coperchio (25).
- Rimuovere il vecchio filtro al carbone (26).
- Inserire un nuovo filtro al carbone (26).
- Chiudere il coperchio (25).

Nota: Il supporto del filtro al carbone non deve essere posto nel serbatoio dell'acqua prima di decalcificare l'apparecchio.

- Riempire il serbatoio dell'acqua (14) con un agente decalcificante adatto.
- Collocare la caraffa per caffè (16) sulla piastra riscaldante (18).
- Inserire la spina di alimentazione nella presa a parete.
- Accendere l'apparecchio premendo il pulsante di accensione/spengimento (1).
- Lasciare l'apparecchio in funzione finché la caraffa per caffè (16) non contiene 1/3 dell'agente decalcificante.
- Spegner l'apparecchio premendo il pulsante di accensione/spengimento (1).
- Lasciare agire l'agente decalcificante per circa 30 minuti.
- Accendere l'apparecchio premendo il pulsante di accensione/spengimento (1).
- Lasciare l'apparecchio in funzione finché la caraffa per caffè (16) non contiene anche il resto dell'agente decalcificante. L'apparecchio si spegne automaticamente quando il serbatoio dell'acqua (14) è vuoto.
- Sciacquare due volte l'apparecchio in base alla procedura descritta di seguito:
 - Riempire il serbatoio dell'acqua (14) con acqua pulita fino al contrassegno di massimo sull'indicatore del livello dell'acqua (15).
 - Collocare la caraffa per caffè vuota (16) sulla piastra riscaldante (18).
 - Accendere l'apparecchio premendo il pulsante di accensione/spengimento (1).



- Lasciare uscire tutta l'acqua dall'apparecchio. L'apparecchio si spegne automaticamente quando il serbatoio dell'acqua (14) è vuoto.
- Collocare il supporto del filtro al carbone (20) nel serbatoio dell'acqua (14).
- Chiudere il coperchio (24).
- Spegnerne l'apparecchio premendo il pulsante di accensione/spegnimento (1).
- Mantenere premuti il selettore della quantità di caffè (3) e il selettore della concentrazione di caffè (4) finché l'indicatore di decalcificazione (D) non scompare dal display (8) (fig. C).
- Pulire l'esterno dell'apparecchio con un panno umido. Asciugare l'esterno dell'apparecchio con un panno pulito e asciutto. L'apparecchio è pronto all'uso.
- Non immergere l'apparecchio in acqua o in altri liquidi. Se l'apparecchio viene immerso in acqua o in altri liquidi, non rimuovere l'apparecchio con le mani. Rimuovere immediatamente la spina di alimentazione dalla presa a parete. Se l'apparecchio viene immerso in acqua o altri liquidi, non riutilizzare l'apparecchio.
- L'apparecchio è progettato esclusivamente per uso domestico e per applicazioni simili, quali stanze adibite a cucine per il personale nei negozi, uffici e altri ambienti di lavoro; fattorie; per clienti di hotel, motel e altri ambienti di tipo residenziale; bed and breakfast.

Sicurezza elettrica

Istruzioni per la sicurezza

Sicurezza generale

- Leggere attentamente il manuale prima dell'uso. Conservare il manuale per future consultazioni.
- Utilizzare l'apparecchio e gli accessori esclusivamente per gli scopi previsti. Non utilizzare l'apparecchio e gli accessori per scopi diversi da quelli descritti nel manuale.
- Non usare l'apparecchio se presenta parti o accessori danneggiati o difettosi. Se una parte o un accessorio sono danneggiati o difettosi, devono essere sostituiti dal fabbricante o da un centro di assistenza autorizzato.
- Controllare sempre che i bambini non giochino con l'apparecchio.
- L'uso dell'apparecchio da parte di bambini o persone con ridotte capacità fisiche, sensoriali, mentali o motorie oppure senza la necessaria pratica ed esperienza può causare rischi. Le persone responsabili per la loro sicurezza devono offrire istruzioni precise oppure supervisionare l'uso dell'apparecchio.
- Non usare l'apparecchio in prossimità di vasche da bagno, docce, bacinelle o altri recipienti contenenti acqua.
- Prima dell'uso, verificare sempre che la tensione di rete corrisponda alla tensione riportata sulla targhetta nominale dell'apparecchio.
- L'apparecchio non è previsto per essere azionato mediante timer esterno o telecomando.
- Collegare l'apparecchio a una presa a parete dotata di messa a terra. Se necessario, utilizzare un cavo di prolunga dotato di conduttore di messa a terra di diametro adeguato (almeno 3 x 1 mm²).
- Verificare che l'acqua non penetri negli spinotti del cavo di alimentazione e del cavo di prolunga.
- Srotolare sempre completamente il cavo di alimentazione e il cavo di prolunga.
- Verificare che il cavo di alimentazione non rimanga impigliato nel bordo di sporgenze o ripiani e non possa costituire fonte di rischio di incidenti o cadute.
- Tenere il cavo di alimentazione lontano da fonti di calore, olio e spigoli taglienti.
- Non usare l'apparecchio se il cavo di alimentazione o la spina sono danneggiati o difettosi. Se il cavo di alimentazione o la spina sono danneggiati o difettosi, devono essere sostituiti dal fabbricante o da un centro di assistenza autorizzato.
- Per scollegare la spina di alimentazione elettrica, non tirare mai il cavo di alimentazione.

-
- Se l'apparecchio non viene utilizzato, prima di eseguire operazioni di montaggio o smontaggio e prima di effettuare interventi di pulizia e manutenzione, scollegare sempre la spina dalla rete di alimentazione elettrica.

Istruzioni di sicurezza per macchine da caffè

- Non usare l'apparecchio in ambienti esterni.
- Non utilizzate l'apparecchio in ambienti umidi.
- Se l'apparecchio è riempito con acqua utilizzatelo in ambienti non particolarmente freddi.
- Collocare l'apparecchio su una superficie uniforme e stabile.
- Collocare l'apparecchio su una superficie resistente al calore e agli schizzi.
- Non collocare l'apparecchio su un piano di cottura.
- Non collocare l'apparecchio su superfici calde o vicino a fiamme libere.
- Verificare che l'apparecchio non entri in contatto con materiale infiammabile.
- Tenere l'apparecchio a distanza da fonti di calore.
- Porre attenzione con acqua calda e vapore per evitare ustioni.
- Riporre l'apparecchio in un luogo asciutto quando non viene utilizzato. Assicurarsi che i bambini non abbiano accesso agli apparecchi riposti.

Clausola di esclusione della responsabilità

Soggetto a modifica; le specifiche possono subire variazioni senza preavviso.



PETRA Deutschland GmbH
Eberhardstraße
73312 Geislingen
Deutschland
www.petra-electric.de