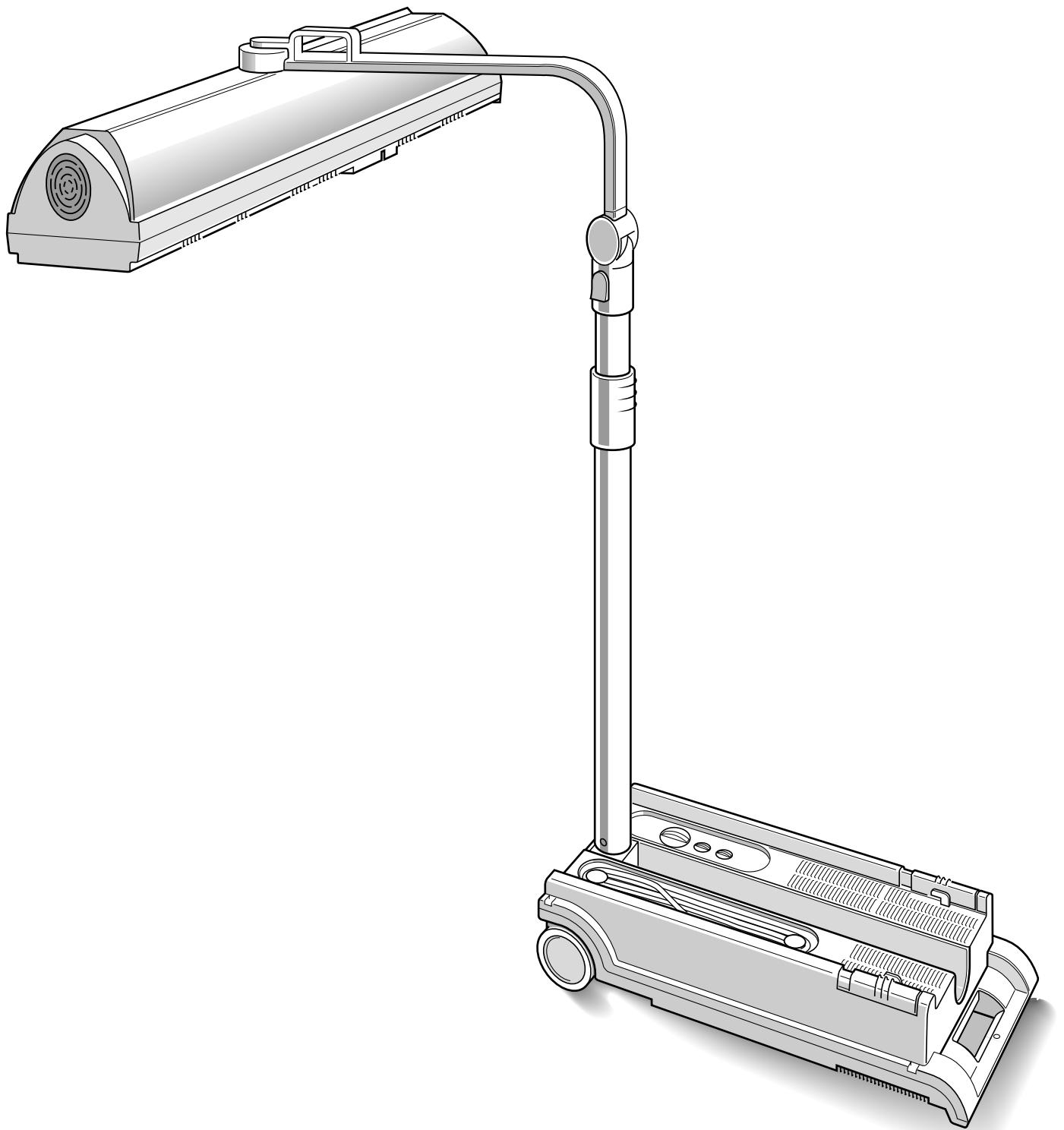


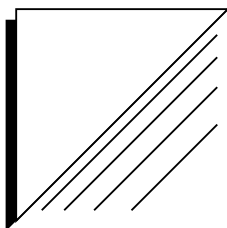
PHILIPS

HB 814/HB 824

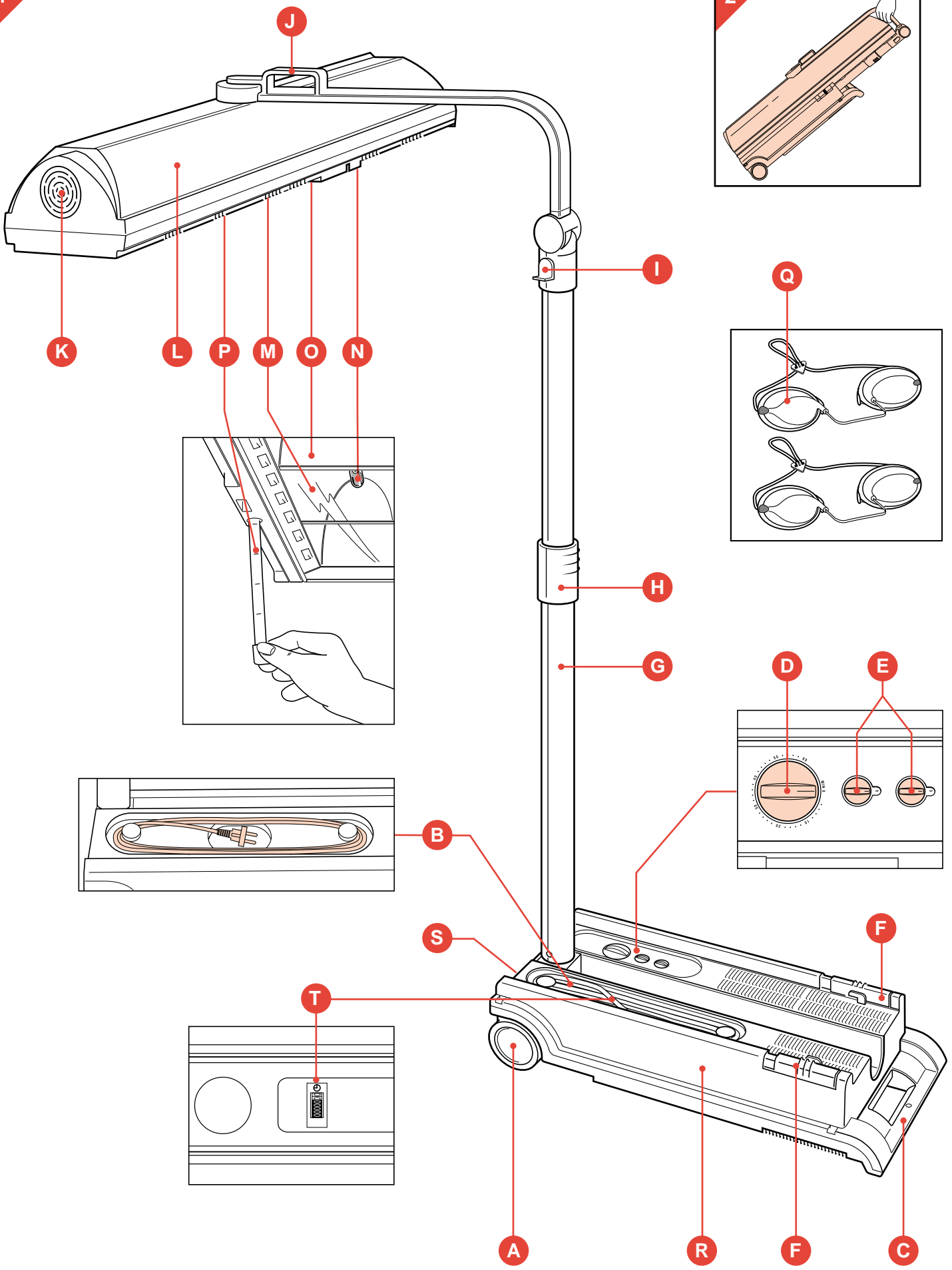
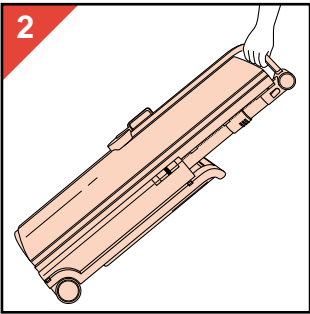


PHILIPS

- English** **Page 4**
• Keep page 3 open when reading these operating instructions.
- Français** **Page 10**
• Pour le mode d'emploi: dépliez la page 3.
- Deutsch** **Seite 16**
• Schlagen Sie beim Lesen der Gebrauchsanweisung Seite 3 auf.
- Nederlands** **Pagina 22**
• Sla bij het lezen van de gebruiksaanwijzing pagina 3 op.
- Italiano** **Pagina 28**
• Prima di usare l'apparecchio, aprite la pagina 3 e leggete attentamente le istruzioni per l'uso.
- Español** **Página 34**
• Desplegar la página 3 al leer las instrucciones de manejo.
- Dansk** **Side 40**
• Hold side 3 opslået mens De læser brugsanvisningen.
- Norsk** **Side 46**
• Slå opp på side 3 før De leser videre.
- Svenska** **Sid 52**
• Ha sidan 3 utvikt när ni läser bruksanvisningen.



1

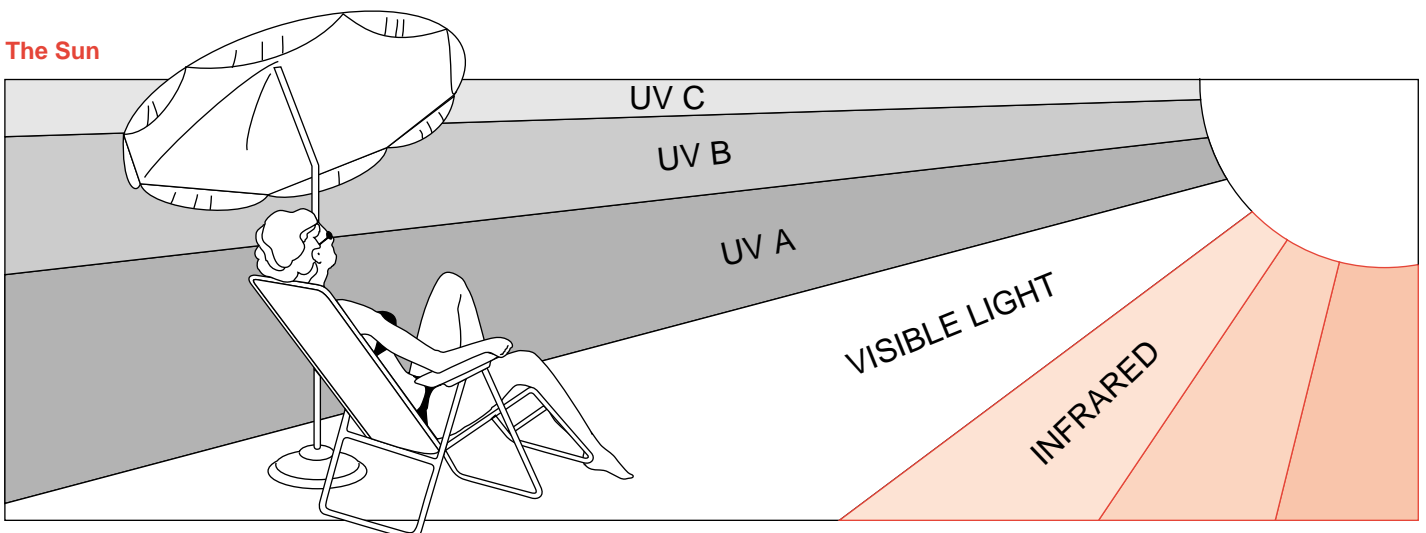


Important

- Before connecting the appliance to the mains socket, check if the voltage indicated on the rating plate corresponds with the mains voltage in your home.
- Water and electricity are a dangerous combination! Therefore, do not use the appliance in wet surroundings (e.g. in the bathroom or shower, or near a swimming pool).
- If you have just been swimming or have just taken a shower, dry yourself thoroughly before using the appliance.
- Take care that children cannot play with the solarium. As a precaution remove the plug from the wall socket after use.
- Let the solarium cool down first (± 15 min.) before closing and storing it away.
- Move the solarium only when folded in (fig. 2).
- Keep the ventilation openings in the upper casing and in the lower casing clear of obstruction when using the solarium.
- This solarium is fitted with an automatic thermal safety device. In case of insufficient cooling (e.g. when the ventilation apertures are blocked) the safety device will automatically switch off the solarium. Once the cause of the overheating has been removed and the solarium has cooled down sufficiently, the appliance will switch on again automatically.
- Do not exceed the advised session times or the maximum amount of "tanning hours". (See section "UV sessions: How often? And how long?")
- Do not select a shorter operational distance than the advised 65 cm (approx. 26").

- Do not treat each part or side of the body more often than once a day. Avoid intensive skin exposure to natural sunlight on the same day as a UV session.
- If you have any symptoms of illness, if you take any medicines and/or apply cosmetics which increase skin sensitivity, you should not have a UV-session. Special care is also necessary in cases of pronounced individual sensitivity to ultraviolet. When in doubt, please consult your doctor.
- A solarium is not to be used by people who get sunburnt without tanning when exposed to the sun, by persons suffering from sunburn, by children, or by persons who suffer (or have previously suffered) from skin cancer or who are predisposed to skin cancer.
- Consult your doctor if ulcers, moles or persistent lumps develop on the skin.
- Always wear the protective eye goggles while tanning to protect your eyes against excessive doses of ultraviolet, visible light and infrared. (Also refer to section "UV and your health".)
- Remove creams, lipstick and other cosmetics well in advance of a UV session.
- Do not use sunscreen lotions or creams.
- Do not use suntan lotions or creams.
- If your skin should feel taut after the sun tanning session, you may apply a moisturizing cream.
- Never use the solarium if the UV filter is damaged, broken or removed, or if the timer has become faulty.
- The UV filter will become rather warm during the sun tanning session. Avoid touching it.
- Colours may fade under the influence of the sun. The same effect may occur when using the appliance.
- Do not expect the appliance to yield better results than the natural sun.

The Sun



The sun is the source of energy on which all life on earth depends. There are various kinds of solar energy: the sunlight enables us to see, we feel the warmth of the sunshine on our skin, and under the influence of the sun our skin is tanned. These three effects are due to three specific components of the sun's radiance spectrum; each of the components having their own wave lengths.

The sun radiates electro-magnetic vibrations with different wave lengths. The wave lengths of heat rays or "infrared" (IR) are longer than the wave lengths for visible light.

And the wave lengths of "ultraviolet" (UV), which tans our skin, are shorter than these. Science has managed to reproduce these three kinds of solar radiation: heat (e.g. Infraphil), light (lamps) and UV (solariums, sun couches etc.)

UV-A, UV-B and UV-C

Ultraviolet (UV) is subdivided into UV-A (longest wave lengths), UV-B and UV-C (shortest wave lengths). UV-C seldom reaches the earth as it is filtered out by the atmosphere. UV-A and UV-B cause the tanning effect of the skin.

In fact there are two processes which produce tanning, and they are simultaneously effective:

- **"Indirect tanning"**. Primarily UV-B stimulates the production of a substance called "melanin", which is necessary for tanning. The effect does not show until a couple of days after the sunbath.
- **"Direct tanning"**. The UV-A and also a part of the visible light cause quicker browning without reddening or "getting sunburnt".

The solarium

This solarium emits predominantly UV-A, and also a very small amount of UV-B.

It possesses some important features which make tanning at home comfortable and convenient.

The unique type of sun lamp used in this solarium emits **light, warmth and ultraviolet**, just like the natural sun.

You can position this solarium so that using it really resembles lying in the sun: your whole body is tanned evenly, from head to toe.

For your convenience, but also to prevent unintended prolonged exposure (e.g. after falling asleep), a timer-controlled automatic switch-off operates after 60 minutes tanning.

As it is with the natural sun, it's wise not to have too much of a good thing! (See section "UV and your health".)

UV and your health

After an excessive exposure to ultraviolet (from the natural sun or from your solarium), the skin may develop sunburn. Beside numerous other factors, such as excessive exposure to the natural sun, improper and excessive use of your solarium will increase the risk of skin and eye disease.

The nature, intensity and duration of the radiation on one hand, and the sensitivity of the individual on the other, are decisive on the degree in which these affects can occur. The more the skin and eyes are exposed to UV, the more risk increases of diseases such as inflammation of the cornea and/or conjunctiva, damaging of the retina, cataract, premature aging of the skin and skin tumours.

Certain medicines and cosmetics increase the sensitivity to UV.

Therefore, it is of great importance

- that you follow the instructions in sections "Important" and "UV sessions: how often? And how long?";
- that you observe the advised operational distance of 65 cm (approx. 26");
- that you do not exceed the maximum amount of tanning hours per year (i.e. 21 hours or 1260 minutes);
- that you always wear the provided goggles while tanning.

UV sessions: how often? And how long?

You may have **one UV session per day**, over a period of **five to ten days**. Allow at least 48 hours between the first two sessions.

After such a course, you may rest the skin **for a while**.

Approximately **one month** after a course your skin will have lost much of the tan. You might then decide to start a new course.

On the other hand, it is also possible to have **one or two UV sessions per week** after a course has elapsed in order to **keep up the tan**.

Whatever you may prefer, make sure that you **do not exceed the maximum amount of tanning hours**. For this solarium the maximum is **21 hours (= 1260 minutes)** per year.

Example:

Imagine that you take a **10 day** UV course, with a **8 minute** session on the **first day** and **20 minutes'** sessions on the **nine following days**.

The entire course then includes (1 x 8 minutes) + (9 x 20 minutes) = **188 minutes**.

Over a year you may have **six of these courses**. (As 6 x 188 minutes = 1128 minutes.)

Of course, this maximum amount of tanning hours is valid **for each treated part or side of the body separately**.

(E.g. for the front side of your body and for the back side.)

From the table it will be seen that **the first session of a course should have a duration of 8 minutes**. This is not dependent upon individual skin sensitivity.

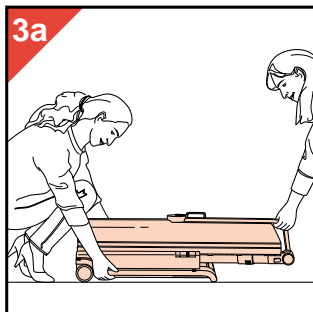
Duration of the UV session (for each separately treated part of the body) in minutes:	1st session	2nd session	3rd session	4th session	5th session	6th session	7th session	8th session	9th session	10th session
-for persons with very sensitive skin :	8	10	10	10	10	10	10	10	10	10
-for persons with normally sensitive skin :	8	20-25	20-25	20-25	20-25	20-25	20-25	20-25	20-25	20-25
-for persons with less sensitive skin :	8	30*)	30*)	30*)	30*)	30*)	30*)	30*)	30*)	30*)
*) or longer, dependent upon skin sensitivity										

• If you think that the sessions are too long for you (e.g. if the skin gets taut and tender after the session), we advise you to reduce the sessions by say 5 minutes per side of the body.

• To get a beautiful all-over tan it is suggested that you turn slightly during the session so that the sides of your body are better exposed to the tanning rays.

General description (fig. 1, page 3)

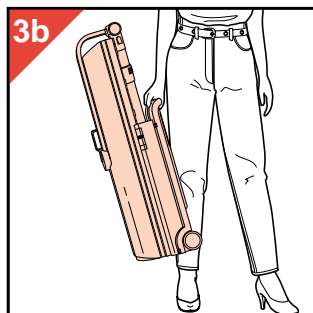
- A** Wheels
- B** Mains cord in storage compartment
- C** Handgrip
- D** Timer
- E** Memos (for two persons)
- F** Slides
- G** Stand
- H** Locking for height adjustment
(to unlock: slide collar downwards)
- I** Locking for upper casing
(to unlock: press the two lips downwards)
- J** Handgrip
- K** Fan (cooling)
- L** Upper casing
- M** UV filter glass
- N** Sun lamps (type Philips HPA flexpower 400 - 600)
- O** Reflector
- P** Tape measure
- Q** Protective goggles (2x)
(Type n°. HB 072 / service n°. 4822 690 80147 - *illustrated* - or
type n° HB 071 / service n°. 4822 690 80123 - *not illustrated* -)
- R** Lower casing
- S** Rating plate
- T** Hours counter



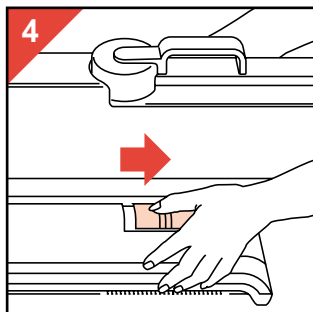
Making the solarium ready for use

In the "transport position" your solarium is on wheels so that you can easily move and store it.

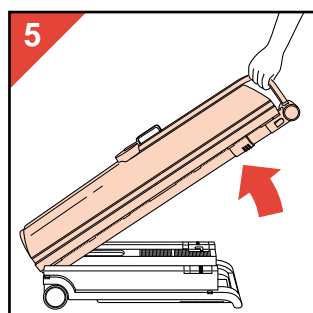
- Lifting is easier with two people (fig. 3a).



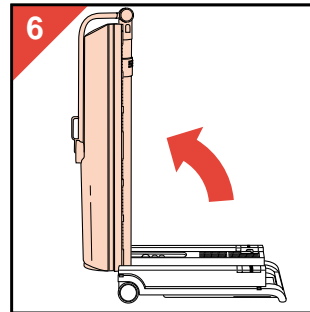
If you must lift the solarium by yourself, it is advisable to use the handgrip (C) (fig. 3b). Please note: the appliance weighs more than 28 kg.



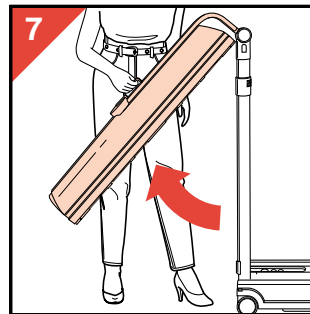
- Unlock the upper casing (L) from the lower casing (R) by pushing the slides (F) in the direction of the arrow (fig. 4).



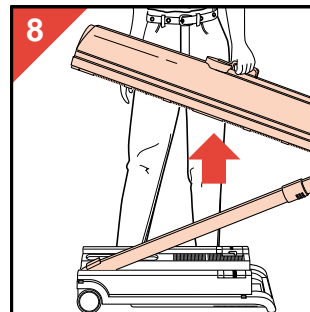
- Pull the stand (G) and the upper casing (L) upwards (fig. 5).



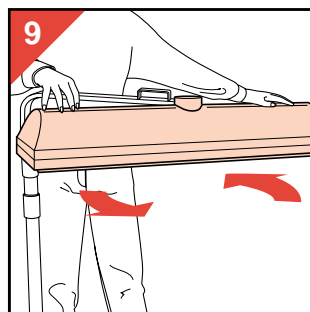
- Put the solarium into the position shown in fig. 6.



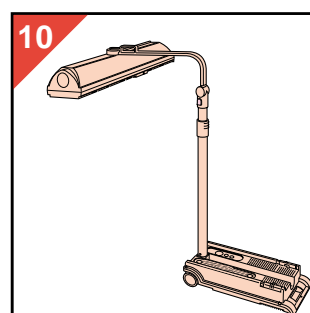
- Position the upper casing (L) horizontally. Use the handgrip (J) (fig. 7). You will hear clicks when passing the various fixed positions.



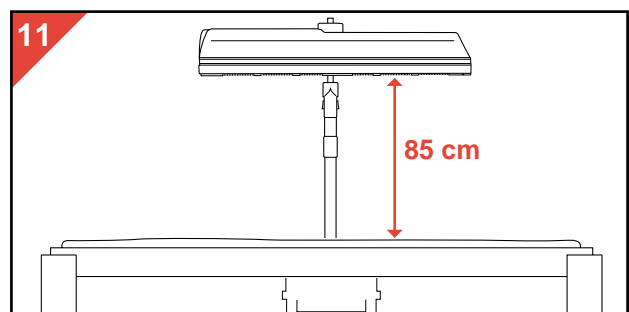
- *Instead of the step-by-step method described here, you may use a combined movement. Hold the handgrip (J) (fig. 8).*

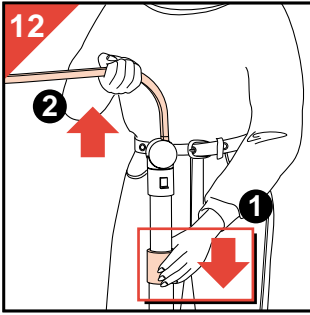


- Rotate the upper casing a quarter turn (fig. 9 and 10).



- Position the solarium next to the bed as shown in fig. 11.

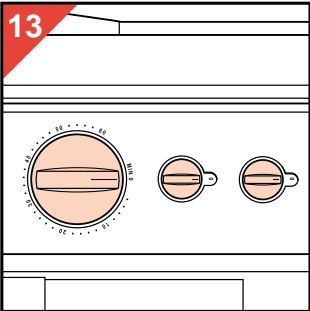




- Unlock the locking handle for height adjustment (H) by sliding the collar downwards. Simultaneously slide the stand (G) out till approx. 85 cm (33") above the bed (fig. 12). Use the tape measure (P).
- Release the collar.

Setting the timer

- Insert the mains plug into a wall socket.



- Use the table in these instructions for use and your personal notes.
- Put on the supplied protective goggles.
- Set the timer to the session time required (fig. 13).
- Position yourself under the solarium.
- Once the set time has elapsed, the timer will switch off the solarium automatically.

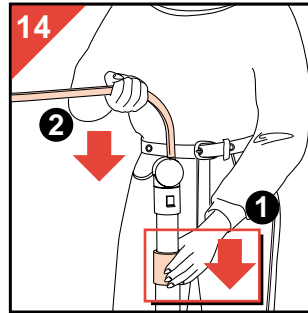
Note: the timer can be set up to a maximum of 60 minutes. If you wish to treat both sides of your body directly after each other it is advised to reset the timer just before the set time has elapsed. Doing so, you avoid a waiting period of at least three minutes (which would otherwise be necessary before the lamps can be started again).

After the UV tanning session

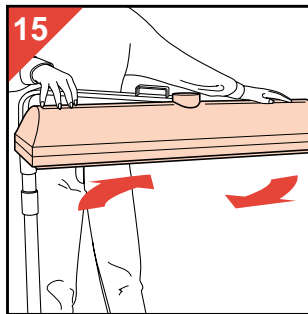
- On one of the session memos you can note down how many sessions you have had. There are two such memos, for two users.
- Let the solarium cool down for 15 minutes before folding it up and storing it away.

Make your solarium transportable:

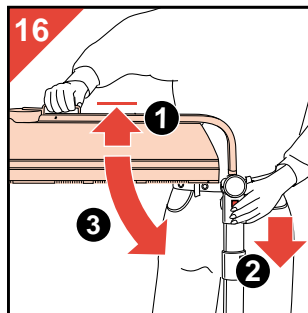
- Wind the mains cord and store it in the storage compartment (B). Be careful that it does not get stuck when the upper casing is folded downwards.



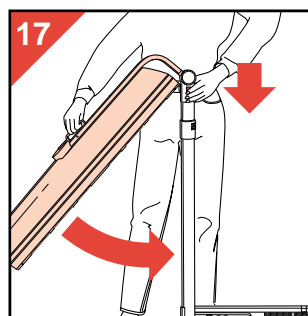
- Release the height adjustment lock (H) by sliding the collar downwards. Simultaneously slide in the stand (fig. 14). Then release the collar.



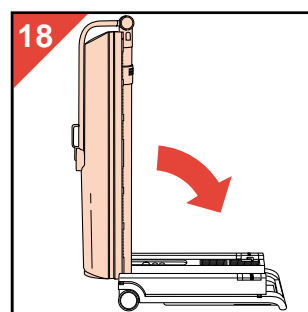
- Rotate the upper casing a quarter turn (fig. 15).



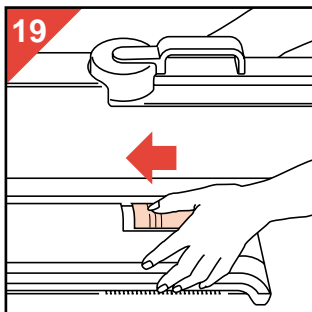
- While lifting the upper casing a little with one hand, unlock the upper casing with the other hand. To unlock, slide the two lips (L) downwards (fig. 16).



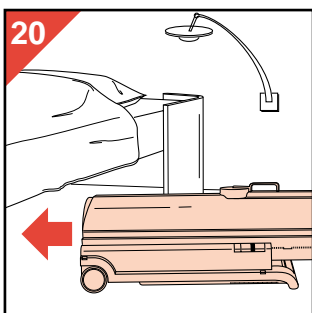
- Carefully, let the upper casing come into a vertical position (fig. 17).
- Release the two lips (L).



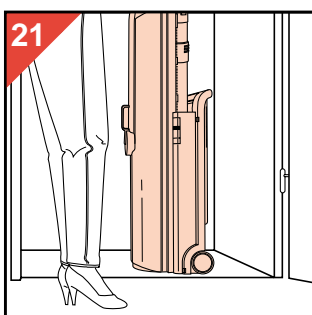
- Lower the stand with the upper casing carefully onto the lower casing (R) (fig. 18).



- Lock the upper casing onto the lower casing by pushing the slides (F) in the direction of the arrow (fig. 19).



- After use, you can e.g. slide the solarium under a bed (fig. 20)



or put it upright in a cupboard (fig. 21).

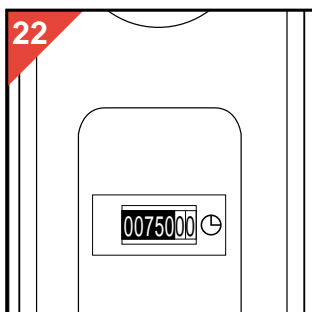
Cleaning

Always unplug the solarium and let it cool down before cleaning.

- You can clean the outside of the solarium with a damp cloth. Make sure that no water runs into the appliance. Do not use abrasives or scourers, or liquids such as petrol or acetone.
- You may clean the UV filter glass with white spirit sprinkled on a soft cloth.

Replacing the sun lamps and/or UV filter

In the course of time (in normal family use after some years) the efficiency of the sun lamps will gradually decrease. If this happens, you may increase the tanning session time or have the sun-lamps replaced.



The hours counter **ⓘ** indicates the total amount of operation hours. In general, it is advisable to replace the lamps after 750 hours (fig. 22).

The UV filter protects against undesired radiation. It is therefore important to have a damaged or broken filter replaced right away.

Have the sun lamps and UV filter replaced only by authorized service personnel: only these have the required skill and dispose of the original replacement parts.



The lamps of solariums contain substances which may pollute the environment. When discarding lamps, please ensure that they are separated from the normal household refuse and that they are disposed of at an officially assigned place.

This product is manufactured to comply with the radio interference requirements of the Council Directives 87/308 and 87/310/EEC.

For U.K. only:

Fitting a different plug

This appliance is fitted with a BS 1363 13 Amp. plug. Should you need to replace the plug, connect the wires as follows:

Green/yellow wire to the **Earth** terminal (\perp) of the new plug.
Brown wire to the **Live (L)** terminal of the new plug.
Blue wire to the **Neutral (N)** terminal of the new plug.

Always fit the same value of fuse as that originally supplied with your appliance.

Only use BS 1362 approved fuses.

As a guide only: Appliances under 700 W can have a 3 Amp. fuse (red) and all others should have a 13 Amp. fuse (brown).

When disposing of an old plug (particularly the moulded type which has been cut from the mains cord) always remove the fuse as the plug could be dangerous if ever inserted in a live socket.

Information & service

If you need information or if you have a problem, please visit the Philips Web site at www.philips.com or contact the Philips Customer Care Centre in your country (you will find its phone number in the worldwide guarantee leaflet). If there is no Customer Care Centre in your country, turn to your local Philips dealer or contact the Service Department of Philips Domestic Appliances and Personal Care BV.

Solarium does not operate as required?

If the solarium should not operate as required, this may be due to a defect. In this case do not hesitate to apply to your dealer or to a Philips Service Centre.

However, it is also possible that the appliance has not been installed according to the instructions or is used incorrectly. If this is the case, you will be able to solve the problem immediately.

You may check the following section before contacting your dealer or Philips Service Centre.

Problem

- Solarium does not switch on.
- The power fuse switches the mains power off when switching on or while using the solarium.
- The browning is not according to your expectations.

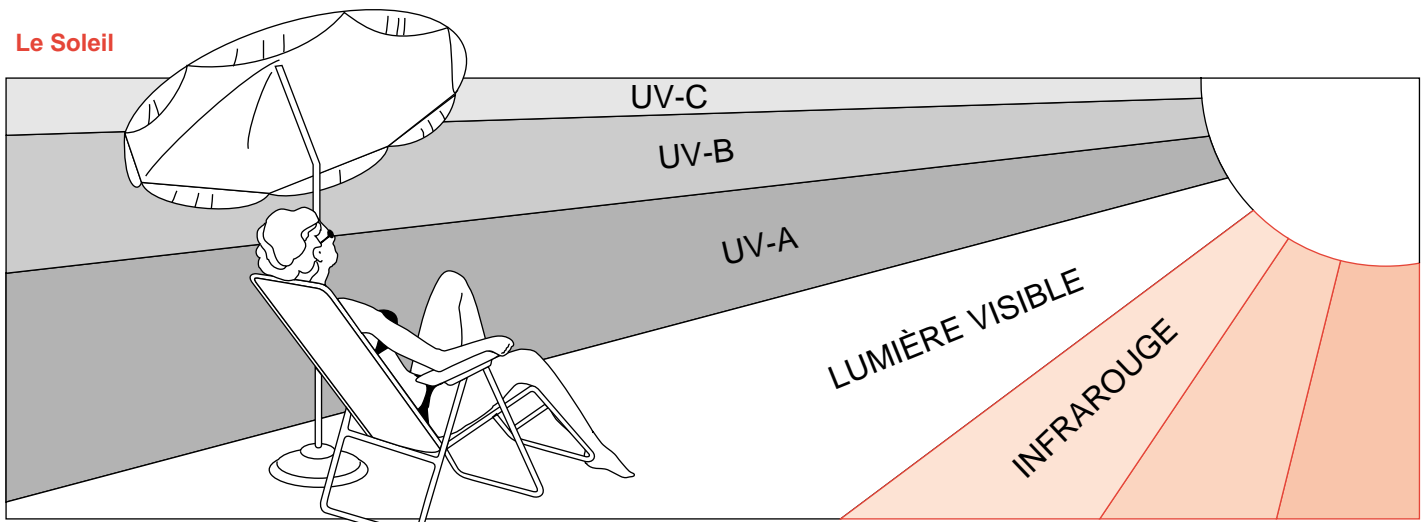
Possible cause

- Appliance is not positioned correctly for use.
- Mains plug is not in wall socket.
- No mains power. (Please check with other appliance.)
- The lamps are still too warm to restart. (Allow the lamps to cool down for approx. 3 minutes.)
- Ventilation was insufficient and the automatic thermal safety device has switched the appliance off. Remove the cause of overheating (e.g. take towel away from ventilation opening) and wait for 10 minutes before switching on again.
- Check the fuse to which the solarium has been connected. The proper type for your solarium is a 13 A or 16 A normal fuse or a slow reacting automatic fuse.
- You followed a course which is not the most appropriate for your skin type.
- The operational distance is larger than indicated.
- After using for a long time the UV production of the lamps decreases. (With normal use this will not be noticeable for years.) You may compensate for this effect by selecting longer treatment times or have the sun lamps replaced.
- You use an extension cord which is too long and/or does not allow the required power levels. In general, we advise **not** to use an extension cord. Please apply to your dealer.

Important

- Avant de brancher votre appareil dans la prise de courant, vérifiez si la tension indiquée sur la plaquette d'identification correspond à la tension d'alimentation de votre domicile.
 - L'eau et l'électricité ne font pas bon ménage ! N'utilisez donc pas l'appareil dans un environnement humide (dans la salle de bain, la douche ou près d'une piscine, par exemple).
 - Si vous venez de nager ou de prendre une douche, séchez-vous bien avant d'utiliser l'appareil.
 - Veillez à ce que le solarium soit hors de portée des enfants. Par précaution, retirez la fiche de la prise de courant après utilisation.
 - Laissez refroidir le solarium (± 15 min.) avant de le fermer et de le ranger.
 - Ne déplacez le solarium que lorsqu'il est replié (fig. 2).
 - Les ouvertures de ventilation des éléments supérieur et inférieur du boîtier doivent rester dégagées lorsque vous utilisez le solarium.
 - Ce solarium est équipé d'un dispositif de sécurité thermique automatique. En cas de refroidissement insuffisant (si les ouvertures de ventilation sont bloquées, par exemple), le dispositif de sécurité mettra automatiquement le solarium hors service. Lorsque la cause de surchauffe aura été éliminée et que l'appareil aura refroidi suffisamment, l'appareil se remettra automatiquement en marche.
 - Ne dépassez pas les durées de séances recommandées ou la quantité maximale d'"heures de bronzage". (Voir section "Séances d'UV : A quelle fréquence ? Combien de temps ?")
 - Ne choisissez pas une distance de fonctionnement inférieure aux 65 cm recommandés (environ 26").
 - Ne traitez pas chaque partie ou face du corps plus d'une fois par jour. Évitez d'exposer votre peau de manière intensive à la lumière naturelle du soleil le même jour qu'une séance d'UV.
- Vous ne devez pas faire de séance d'UV si vous présentez des symptômes de maladie, si vous prenez des médicaments et/ou utilisez des cosmétiques qui renforcent la sensibilité de la peau. Il faut également être très prudent en cas de sensibilité prononcée aux ultraviolets. En cas de doute, veuillez consulter votre médecin.
 - Les personnes qui ont des coups de soleil sans bronzer lorsqu'elles s'exposent au soleil, les personnes qui souffrent de coups de soleil, les enfants ou les personnes qui souffrent (ou ont déjà souffert) d'un cancer de la peau ou qui sont prédisposées au cancer de la peau ne doivent pas utiliser le solarium.
 - Consultez votre médecin si des ulcères, des grains de beauté ou des grosseurs persistantes apparaissent sur la peau.
 - Portez toujours les lunettes de protection pendant le bronzage pour protéger vos yeux des doses excessives d'ultraviolets, de lumière visible et d'infrarouges (Lisez aussi la section "Les UV et votre santé").
 - Otez crèmes, rouge à lèvres et autres cosmétiques longtemps avant une séance d'UV.
 - N'utilisez pas de lotions, ni de crèmes écrans solaires.
 - N'utilisez pas de lotions, ni de crèmes solaires.
 - Si votre peau tiraille après une séance de bronzage, vous pouvez appliquer une crème hydratante.
 - N'utilisez jamais le solarium si le filtre UV est endommagé, cassé ou retiré, ou si la minuterie est défectueuse.
 - Le filtre UV chauffe assez fort pendant une séance de bronzage. Évitez de le toucher.
 - Les couleurs peuvent pâlir sous l'influence du soleil. L'appareil peut produire le même effet.
 - Ne vous attendez pas à ce que l'appareil produise de meilleurs résultats que le soleil naturel.

Le Soleil



Le soleil est la source d'énergie dont dépend toute vie sur terre. Il existe plusieurs types d'énergie solaire : la lumière du soleil nous permet de voir, nous sentons la chaleur du soleil sur notre peau et notre peau bronze sous l'effet du soleil. Ces trois effets sont dus aux trois composants spécifiques du spectre des rayons solaires : chaque composant a sa propre longueur d'ondes.

Le soleil émet des vibrations électromagnétiques de différentes longueurs d'ondes.

Les longueurs d'ondes des rayons de chaleur ou "infrarouges" (IR) sont plus longues que les longueurs d'ondes de la lumière visible.

Et les longueurs d'ondes des "ultraviolets" (UV), qui font bronzer notre peau, sont plus courtes que ces dernières. La science a réussi à reproduire ces trois types de rayons solaires : la chaleur (Infraphil, p. ex.), la lumière (lampes) et les UV (solariums, bancs solaires, etc.).

UV-A, UV-B et UV-C

Les ultraviolets (UV) se subdivisent en UV-A (longueurs d'ondes les plus longues), UV-B et UV-C (longueurs d'ondes les plus courtes). Les UV-C atteignent rarement la terre, car ils sont filtrés par l'atmosphère.

Ce sont les UV-A et les UV-B qui font bronzer la peau.

En fait, il y a deux processus qui entraînent le bronzage, et ils agissent simultanément :

- le "bronzage indirect". Les UV-B stimulent principalement la production d'une substance appelée "mélanine", qui est nécessaire au bronzage. Son effet n'est visible que quelques jours après le bain de soleil.
- le "bronzage direct". Les UV-A, ainsi qu'une partie de la lumière visible, entraînent un bronzage plus rapide sans rougir ou avoir des coups de soleil.

Le solarium

Ce solarium émet principalement des UV-A, ainsi qu'une très petite quantité d'UV-B.

Il présente plusieurs caractéristiques qui rendent le bronzage à domicile confortable et pratique.

Le type unique de lampe solaire utilisé dans ce solarium émet **de la lumière, de la chaleur et des ultraviolets**, tout comme le soleil naturel.

Vous pouvez positionner ce solarium de manière à ce que son utilisation ressemble à un vrai bain de soleil : tout votre corps est bronzé uniformément, de la tête aux pieds.

Pour votre commodité, mais aussi pour éviter les expositions prolongées imprévues (après s'être endormi, p. ex.), une minuterie mettra automatiquement l'appareil hors service après 60 minutes de bronzage.

De même qu'avec le soleil naturel, il est conseillé de ne pas abuser des bonnes choses ! (Voir section "Les UV et votre santé").

Les UV et votre santé

Après une exposition excessive aux ultra-violets (du soleil naturel ou de votre solarium), la peau peut présenter des coups de soleil.

Outre de nombreux autres facteurs, tels qu'une exposition excessive au soleil naturel, une utilisation impropre et excessive de votre solarium accroîtra les risques de maladies des yeux et de la peau.

La nature, l'intensité et la durée des radiations, d'une part, et la sensibilité de l'individu de l'autre, sont déterminantes des risques de contracter ces affections.

Plus la peau et les yeux sont exposés aux UV, plus le risque augmente de contracter des maladies telles qu'inflammation de la cornée et/ou conjonctivite, lésion de la rétine, cataracte, vieillissement précoce de la peau et tumeurs de la peau.

Certains médicaments et cosmétiques accroissent la sensibilité aux UV.

C'est pourquoi il est capital :

- que vous respectiez les instructions des sections "Important" et "Séances d'UV : A quelle fréquence ? Combien de temps ?";
- que vous respectiez la distance de fonctionnement conseillée de 65 cm (env. 26");
- que vous ne dépassiez pas la quantité maximale d'heures de bronzage par an (càd 21 heures ou 1260 minutes);
- que vous portiez toujours les lunettes de protection pour bronzer.

Séances d'UV : A quelle fréquence? Combien de temps?

Vous pouvez faire **une séance d'UV par jour**, pendant une période de **cinq à dix jours**. Attendez au moins 48 heures entre les deux premières séances.

Après cette série de séances, laissez reposer votre peau **quelques temps**.

Environ **un mois** après une série de séances, votre peau aura perdu une grande partie de son bronzage. Vous pouvez alors décider d'entamer une nouvelle série de séances.

Par ailleurs, il est aussi possible d'avoir **une ou deux séances d'UV par semaine** après une série de séances, afin d'**entretenir le bronzage**.

Quelle que soit la solution que vous préférerez, veillez à **ne pas dépasser la quantité maximale d'heures de bronzage**.

Pour ce solarium, le maximum est de **21 heures (= 1260 minutes)** par an.

Exemple :

Imaginer que vous prévoyiez une série de séances d'UV de **10 jours**, avec une séance de **8 minutes le premier jour** et des séances de **20 minutes les neuf jours suivants**.

La série totalisera alors (1 x 8 minutes) + (9 x 20 minutes) = **188 minutes**.

Vous pouvez donc avoir **six séries de cette durée** en un an. (Vu que 6 x 188 minutes : 1128 minutes).

Bien sûr, cette quantité maximale d'heures de bronzage est valable **pour chaque partie ou chaque face du corps traitée séparément**.

(P. ex. : pour l'avant de votre corps et pour le dos).

Le tableau ci-dessous montre que **la première séance d'une série devrait durer 8 minutes**. Cela ne dépend pas de la sensibilité individuelle de votre peau.

Durée des séances UV (pour chaque face du corps séparément) en minutes	1er jour	pauses minimale de 48h.	2ème jour	3ème jour	4ème jour	5ème jour	6ème jour	7ème jour	8ème jour	9ème jour	10ème jour	
- personnes à peau très sensible:	8		10	10	10	10	10	10	10	10	10	10
- personnes à peau de sensibilité normale:	8		20-25	20-25	20-25	20-25	20-25	20-25	20-25	20-25	20-25	20-25
- personnes à peau peu sensible:	8		30*)	30*)	30*)	30*)	30*)	30*)	30*)	30*)	30*)	30*)

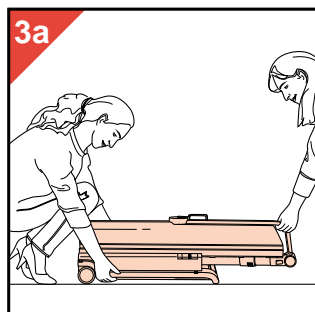
*) ou plus selon la sensibilité de la peau.

- Si vous estimez que les séances sont trop longues pour vous (si votre peau tiraille et devient sensible après la séance, p. ex.), nous vous conseillons de réduire les séances de 5 minutes environ par face du corps.

- Pour obtenir un beau bronzage uniforme, nous vous suggérons de vous tourner légèrement pendant la séance afin que les faces de votre corps soient mieux exposées aux rayons bronzants.

Description générale (fig. 1, page 3)

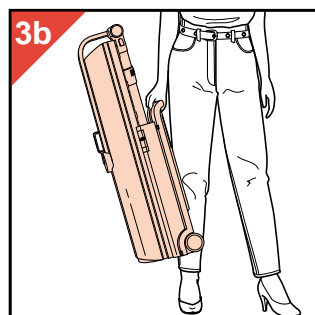
- A** Roues
- B** Cordon d'alimentation dans le compartiment de rangement
- C** Poignée
- D** Minuterie
- E** Notes (pour deux personnes)
- F** Glissières
- G** Pied
- H** Verrouillage du réglage de hauteur
(pour déverrouiller, faites glisser le collier vers le bas)
- I** Verrouillage de l'élément supérieur
(pour déverrouiller, pressez les deux lèvres vers le bas)
- J** Poignée
- K** Ventilateur (refroidissement)
- L** Élément supérieur
- M** Verre filtrant UV
- N** Lampes solaires (type Philips HPA flexpower 400 - 600)
- O** Réflecteur
- P** Mètre ruban
- Q** Lunettes de protection (2x)
(Type n°. HB 072/ Service n°. 4822 090 80147 - illustré -
ou type n°. HB 071 / service n°. 4822 690 80123 - non
illustré -)
- R** Élément inférieur
- S** Plaquette d'identification
- T** Compteur horaire



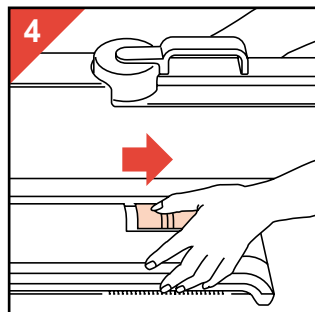
Préparation du solarium

En "position de transport", votre solarium est monté sur roues pour vous permettre de le déplacer et de le ranger facilement.

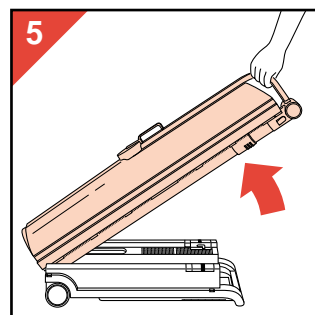
- Deux personnes peuvent le soulever facilement (fig. 3a).



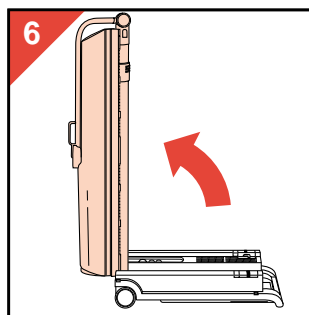
Si vous devez soulever le solarium seul(e), il est conseillé d'utiliser la poignée (C) (fig. 3b).
Note : l'appareil pèse plus de 28 kg.



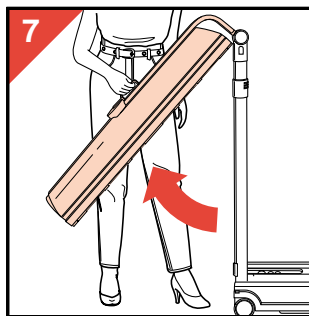
- Détachez l'élément supérieur (L) de l'élément inférieur (R) en poussant les glissières (F) dans le sens de la flèche (fig. 4).



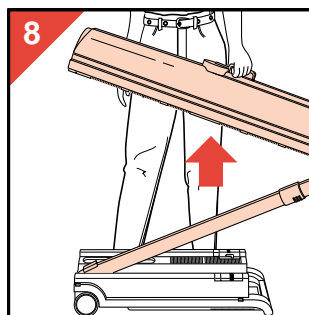
- Tirez le pied (G) et l'élément supérieur (L) vers le haut (fig. 5).



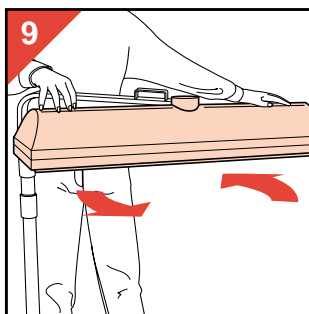
- Placez le solarium dans la position illustrée à la fig. 6.



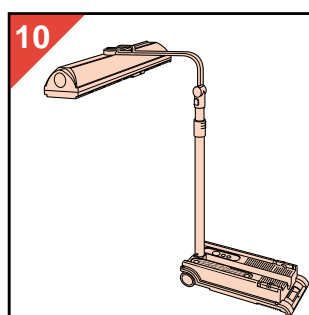
- Placez l'élément supérieur (L) horizontalement. Utilisez la poignée (J) (fig. 7). Vous entendrez des déclics en passant les différentes positions fixes.



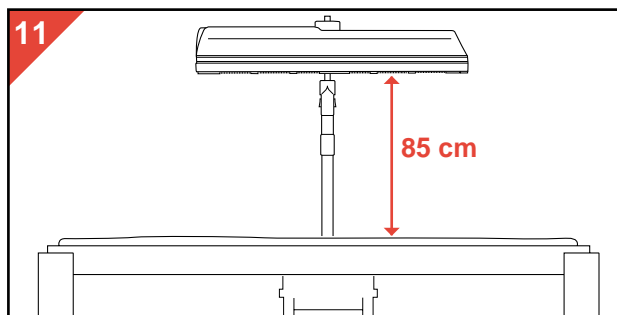
- Au lieu de la méthode pas à pas décrite ici, vous pouvez utiliser un mouvement combiné. Tenez la poignée (J) (fig. 8).

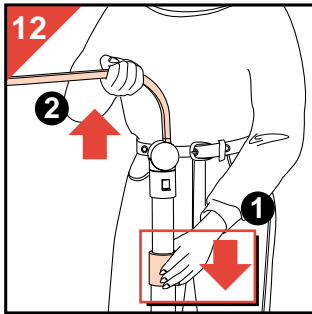


- Faites pivoter l'élément supérieur d'un quart de tour (fig. 9 et 10).



- Placez le solarium près du lit comme illustré à la fig. 11.

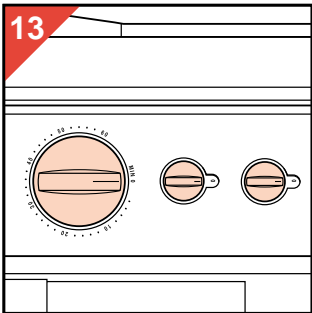




- Déverrouillez le dispositif de verrouillage pour le réglage de hauteur (H) en faisant glisser le collier vers le bas. Simultanément, sortez le pied (G) jusqu'à 85 cm (33") environ au-dessus du lit (fig. 12).

Utilisez le mètre ruban (P).
- Lâchez le collier.

Réglage de la minuterie



- Branchez le cordon d'alimentation dans une prise murale.
- Utilisez le tableau des présentes instructions concernant l'utilisation et pour vos notes personnelles.
- Mettez les lunettes de protection fournies.
- Réglez la minuterie sur la durée de séance voulue (fig. 13)

- Installez-vous sous le solarium.
- Lorsque la durée réglée est écoulée, la minuterie arrêtera le solarium automatiquement.

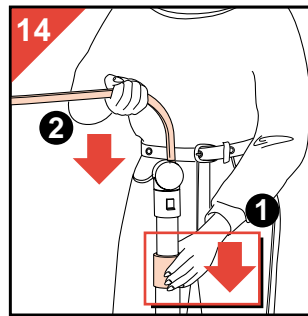
Note : la minuterie peut être réglée sur un maximum de 60 minutes. Si vous souhaitez traiter les deux faces de votre corps immédiatement l'une après l'autre, il est conseillé de régler à nouveau la minuterie juste avant que la durée réglée ne soit écoulée. Vous éviterez ainsi une période d'attente d'au moins trois minutes (qui serait sinon nécessaire avant que les lampes ne se rallument).

Après la séance de bronzage UV

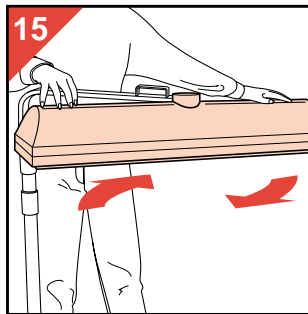
- Sur l'une des notes de séance, vous pouvez indiquer combien de séances vous avez déjà eues. Il y a deux séries de notes, pour deux utilisateurs.
- Laissez le solarium refroidir pendant 15 minutes avant de le replier et de le ranger.

Pliez votre solarium en position de transport :

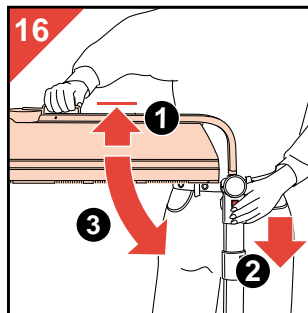
- Enroulez le cordon d'alimentation et rangez-le dans son compartiment (B). Veillez à ce qu'il ne soit pas coincé lorsque l'élément supérieur est plié vers le bas.



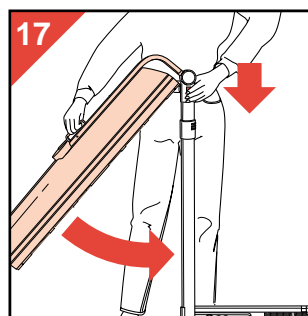
- Déverrouillez le réglage de hauteur (H) en faisant glisser le collier vers le bas. Simultanément, rentrez le pied (fig. 14). Lâchez ensuite le collier.



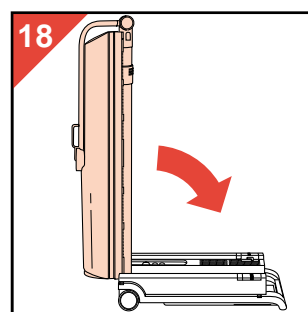
- Faites pivoter l'élément supérieur d'un quart de tour (fig. 15).



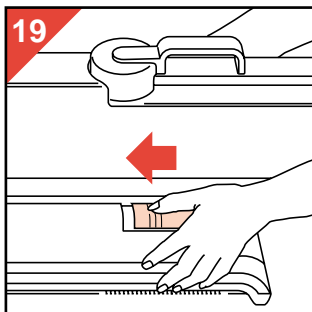
- En soulevant légèrement l'élément supérieur à une main, déverrouillez l'élément supérieur de l'autre main. Pour déverrouiller, faites glisser les deux lèvres (I) vers le bas (fig. 16).



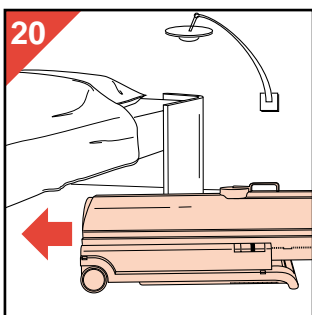
- Amenez prudemment l'élément supérieur en position verticale (fig. 17).
- Libérez les deux lèvres (I).



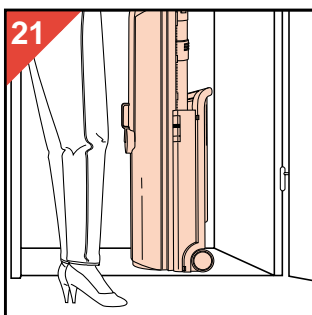
- Abaissez le pied en plaçant prudemment l'élément supérieur sur l'élément inférieur (R) (fig. 18).



- Fixez l'élément supérieur sur l'élément inférieur en poussant les glissières (F) dans le sens de la flèche (fig. 19).



- Après utilisation, vous pouvez glisser le solarium sous un lit, par exemple (fig. 20).



- ou le ranger verticalement dans une armoire (fig. 21).

Ne faites remplacer les lampes solaires et le filtre UV que par du personnel agréé : ils sont les seuls à disposer des compétences requises et des pièces de rechange d'origine.



Les lampes de solariums contiennent des substances pouvant polluer l'environnement. Lorsque vous jetez les lampes, veillez à les séparer des déchets ménagers ordinaires et à les éliminer par la filière officielle prévue à cet effet.

Informations et service

Pour plus d'informations, visitez notre Philips Web site : www.philips.com ou veuillez contacter le Service Consommateurs Philips de votre pays (vous trouverez le numéro de téléphone dans le dépliant sur la garantie internationale). S'il n'y a aucun Service Consommateurs Philips dans votre pays, contactez votre distributeur ou le Service Department of Philips Domestic Appliances and Personal Care BV.

Nettoyage

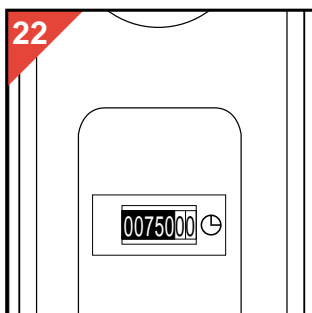
Débranchez toujours le solarium et laissez-le refroidir avant de le nettoyer.

- Vous pouvez nettoyer l'extérieur du solarium à l'aide d'un chiffon humide. Veillez à ce que de l'eau ne pénètre pas dans l'appareil. N'utilisez pas d'abrasifs, ni de poudre à récurer, ni de liquides tels que de l'essence ou de l'acétone.
- Vous pouvez nettoyer le verre filtrant UV à l'aide d'un chiffon doux imbibé de white spirit.

Remplacement des lampes solaires et/ou du filtre UV

Au fil du temps (c'est-à-dire après plusieurs années d'un usage familial normal), l'efficacité des lampes solaires diminuera progressivement.

Si c'est le cas, vous pouvez augmenter la durée de la séance de bronzage ou faire remplacer les lampes solaires.



Le compteur horaire (T) indique le nombre total d'heures de fonctionnement. Il est conseillé de remplacer les lampes après 750 heures d'utilisation (fig. 22).

Le filtre UV vous protège des rayons nocifs. Pour cette raison, si un filtre est défectueux ou détérioré, faites-le remplacer immédiatement.

Le solarium ne fonctionne pas comme il le devrait ?

Si le solarium ne fonctionnait pas comme il le devrait, cela peut être dû à une défectuosité. Dans ce cas, n'hésitez pas à vous adresser à votre revendeur ou à un Centre de Service après-vente Philips.

Il est toutefois possible que l'appareil n'ait pas été installé conformément aux instructions ou qu'il ne soit pas utilisé correctement. Si c'est le cas, vous pourrez résoudre le problème immédiatement.

Vérifiez les points suivants avant de vous adresser à votre revendeur ou au Centre de Service après-vente Philips.

Problème

- Le solarium ne se met pas en marche
- Le coupe-circuit coupe le courant d'alimentation lorsque le solarium est mis en marche ou pendant son utilisation.
- Le bronzage ne répond pas à vos attentes.

Cause possible

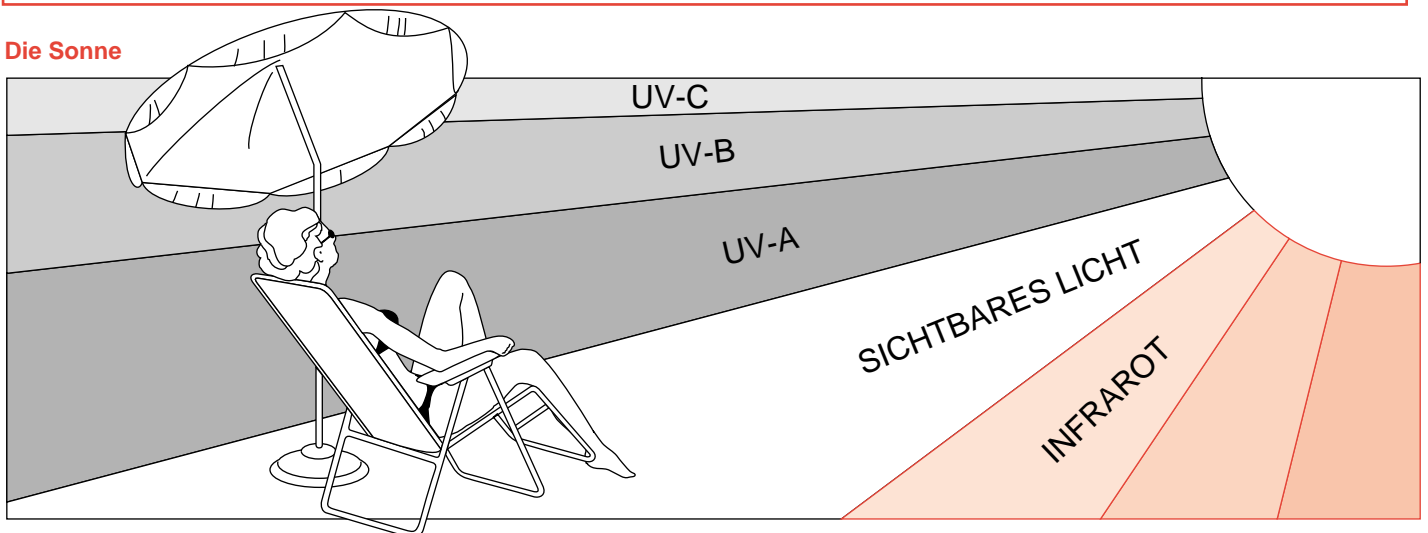
- L'appareil n'est pas positionné en vue de fonctionner correctement.
- Le cordon d'alimentation n'est pas branché dans la prise murale.
- Pas de courant d'alimentation (vérifiez à l'aide d'autres appareils électriques).
- Les lampes sont encore trop chaudes pour redémarrer (Laissez refroidir les lampes pendant 3 minutes environ).
- La ventilation était insuffisante et le dispositif de sécurité thermique automatique a mis l'appareil hors service. Éliminez la cause de surchauffe (ex. : retirez une serviette bouchant l'ouverture de ventilation) et attendez 10 minutes avant de rallumer l'appareil.
- Vérifiez le fusible auquel le solarium est connecté. Le type convenant pour votre solarium est un fusible normal de 13 A ou de 16 A ou un fusible automatique à réaction lente.
- Vous avez suivi un schéma de séances qui n'est pas le plus approprié à votre type de peau.
- La distance d'utilisation est plus élevée que celle prescrite.
- Après une utilisation de longue durée, la production UV des lampes diminue. (En cas d'usage normal, cela ne se produit pas avant plusieurs années). Vous pouvez compenser cet effet en sélectionnant des durées de traitement plus longues ou en faisant remplacer les lampes solaires.
- Vous utilisez une allonge trop longue et/ou qui ne supporte pas la puissance requise par l'appareil. En général, nous conseillons de **ne pas utiliser de rallonge**. Veuillez vous adresser à votre revendeur.

Wichtig

- Prüfen Sie, bevor Sie das Gerät anschließen, ob die Spannungsangabe auf dem Typenschild des Geräts (S) mit der örtlichen Netzspannung übereinstimmt.
- Wasser und Elektrizität sind eine gefährliche Kombination. Benutzen Sie darum das Gerät niemals in feuchter Umgebung, z.B. in Dusch- oder Baderäumen sowie in der Nähe von Schwimmbecken.
- Trocknen Sie sich gründlich ab, wenn Sie das Gerät nach dem Duschen oder Baden benutzen wollen.
- Achten Sie darauf, daß Kinder nicht mit dem Gerät hantieren. Ziehen Sie nach jedem Gebrauch vorsorglich den Stecker aus der Steckdose.
- Lassen Sie das Gerät ca. 15 Minuten abkühlen, bevor Sie es zusammenklappen und wegräumen.
- Bewegen Sie das Gerät nur zusammengeklappt und verriegelt (Abb. 2).
- Achten Sie darauf, daß die Lüftungsschlitze am Lampengehäuse und am Grundgehäuse während des Gebrauchs nicht zugedeckt werden.
- Das Gerät ist mit einem automatischen Überhitzungsschutz ausgerüstet. Bei ungenügender Kühlung, wenn z.B. die Lüftungsschlitze zugedeckt sind, wird das Gerät automatisch ausgeschaltet. Sobald die Ursache der Überhitzung beseitigt und das Gerät ausreichend abgekühlt ist, schaltet es sich automatisch wieder ein.
- Überschreiten Sie nicht die empfohlene Bräunungszeit - weder für eine einzelne Bestrahlung, noch für die Gesamtzeit der Bräunungsstunden. Vgl. den Abschnitt "Das UV-Sonnenbad: Wie oft? Wie lange?".
- Halten Sie einen Abstand von mindestens 65 cm ein.

- Bräunen Sie keine Körperpartie öfter als einmal täglich. Nehmen Sie an den Tagen, an denen Sie das Gerät verwenden, kein intensives Bad in natürlichem Sonnenlicht.
- Wenn Sie sich nicht wohlfühlen, Medikamente einnehmen, und/oder Kosmetika anwenden, welche die Hautempfindlichkeit steigern, sollten Sie das Gerät nicht verwenden. - Fragen Sie zuvor Ihren Arzt!
- Das Gerät darf nicht von Personen verwendet werden, die einen Sonnenbrand bekommen, ohne braun zu werden. Es darf auch nicht von Kindern oder von Personen verwendet werden, die einen Sonnenbrand haben und von Menschen mit einer Disposition zu Hautkrebs.
- Konsultieren Sie unbedingt Ihren Arzt, wenn Sie Hautveränderungen, Pigmentflecke oder dauerhafte Schwellungen bekommen.
- Tragen Sie während des UV-Sonnenbadens stets die mitgelieferte Schutzbrille, um Ihre Augen gegen das infrarote, ultraviolette, aber auch das helle sichtbare Licht zu schützen. Vgl. Abschnitt "UV-Strahlung und Ihre Gesundheit".
- Entfernen Sie Creme, Lippenstift und andere Kosmetika bereits einige Zeit vor dem UV-Sonnenbad.
- Verwenden Sie keine Sonnenschutzmittel.
- Wenn sich Ihre Haut nach dem UV-Sonnenbad etwas gespannt anfühlt, so können Sie eine Feuchtigkeitscreme auftragen.
- Verwenden Sie das Gerät niemals bei beschädigter UV-Filterscheibe oder defektem Zeitschalter.
- Die UV-Filterscheibe wird während des UV-Sonnenbads heiß; vermeiden Sie darum in dieser Zeit jede Berührung mit ihr.
- Bestimmte Materialien, die sich im natürlichen Sonnenlicht verfärben, können sich auch im Licht der UV-Lampen verfärben.
- Erwarten Sie von ihrem Gerät keine besseren Resultate als von natürlichem Sonnenlicht.

Die Sonne



Die Sonne ist die Energiequelle, von der alles Leben auf unserer Erde abhängt. Es gibt verschiedene Wirkungen der Sonnenenergie: Das Sonnenlicht befähigt uns zu sehen, wir fühlen die Wärme der Sonnenstrahlung auf unserer Haut, und unsere Haut wird unter ihrem Einfluß gebräunt. Diese drei Wirkungen kommen durch drei verschiedene Abschnitte des Sonnenspektrums zustande, die jeweils Strahlen von unterschiedlicher Wellenlänge enthalten.

Die Sonne strahlt elektromagnetische Schwingungen von sehr verschiedener Wellenlänge aus. Die Wellen der Wärmestrahlung, der "infraroten" (IR-)Strahlen sind länger als die des sichtbaren Lichtes.

Die Wellen der "ultravioletten" (UV-)Strahlen, die unsere Haut bräunen, sind dagegen kürzer. Die Wissenschaft ermöglicht es, diese drei Arten von Sonnenstrahlen künstlich zu erzeugen: Wärme z.B. durch Infrarot, Licht durch Lampen und UV durch Solarien, Sonnenbänke usw.

Die ultravioletten Strahlen

Ultraviolett (UV) wird wiederum unterteilt in UV-A von hoher Wellenlänge, UV-B von mittlerer und UV-C von kürzester Wellenlänge. UV-C erreicht die Erdoberfläche kaum, weil es durch die Atmosphäre herausgefiltert wird.

UV-A und UV-B haben die bräunende Wirkung auf unsere Haut. Sie beruht auf zwei gleichzeitig wirksamen Vorgängen:

- **"Indirekte Bräunung"**. Vor allem UV-B verursacht, daß sich Melanin, eine für die Bräunung notwendige Substanz, bildet. Diese Wirkung zeigt sich erst einige Tage nach dem UV-Sonnenbad.
- **"Direkte Bräunung"**. Die UV-A-Strahlen und ein Teil des sichtbaren Lichtes bewirken eine schnellere Bräunung ohne Rötung und ohne Sonnenbrand.

Der Ganzkörperbräuner HB 814

Dieses Gerät strahlt vor allem UV-A mit einem sehr geringen Anteil UV-B aus.

Weitere Eigenschaften machen die Bräunung zuhause bequem und angenehm.

Der einzigartige Typ von UV-Lampen in diesem Gerät strahlt **Licht-, Wärme- und UV-Strahlen** aus, genau so wie die natürliche Sonne.

Sie können das Gerät so aufstellen, daß der ganze Körper, wie beim Bad in der natürlichen Sonne, von Kopf bis Fuß gleichmäßig braun wird.

Um die Anwendung zu erleichtern und eine zu starke Bestrahlung - wenn Sie etwa einschlafen - zu verhindern, schaltet ein automatischer Zeitschalter das Gerät nach spätestens 60 Minuten aus.

Wie bei der natürlichen Sonne ist es auch hier ratsam, des Guten nicht zu viel zu tun! Vgl. Abschnitt "UV und Ihre Gesundheit".

UV und Ihre Gesundheit

Wer sich zu lange dem ultravioletten Licht aussetzt, gleich ob natürlichem Sonnenlicht oder dem Licht eines Bräunungsgeräts, kann ein Erythem, d.h. einen Sonnenbrand bekommen.

Neben zahlreichen anderen Faktoren bringt ein unsachgemäß oder all zu intensiver Gebrauch des Geräts, wie beim natürlichen Sonnenlicht, die Gefahr einer Haut- oder Augenschädigung mit sich. Art, Intensität und Dauer der Bestrahlung, aber auch die individuelle Empfindlichkeit der Haut entscheiden über das Auftreten der verschiedenen Wirkungen.

Das Risiko z.B. für Horn- und Bindehautentzündungen, Netzhautschäden, Katarakt (Grauer Star), vorzeitige Alterung der Haut, bis hin zu Hauttumoren, ist um so größer, je stärker Haut und Augen UV-Strahlen ausgesetzt werden. Bestimmte Medikamente und Kosmetika können die Empfindlichkeit gegen UV-Strahlen erhöhen.

Achten Sie darum sorgfältig darauf, daß Sie ...

- die Anweisungen unter "Wichtig" und unter "Das UV-UV-Sonnenbad: Wie oft? Wie lange?" sorgfältig befolgen;
- den empfohlenen Abstand von 65 cm nicht unterschreiten;
- die jährliche Höchstbestrahlungsdauer von 21 Stunden bzw. 1260 Minuten nicht überschreiten;
- immer eine Schutzbrille tragen.

Das UV-Sonnenbad: Wie oft? Wie lange?

Sie können **täglich ein Sonnenbad** nehmen, und zwar **5 bis 10 Tage lang**. Zwischen den ersten beiden Sonnenbädern sollte allerdings eine Pause von 48 Stunden eingehalten werden.

Nach einer solchen Bräunungskur können Sie eine **Ruhepause** einlegen. Nach etwa **einem Monat** wird Ihre Haut so viel von der Bräune verloren haben, daß Sie eine neue Bräunungskur beginnen können.

Sie können aber auch anschließend an die Bräunungskur **wöchentlich ein oder zwei Bräunungsbäder** nehmen, **um die Bräunung aufrecht zu erhalten**.

Gleichgültig wie Sie vorgehen: Achten Sie darauf, daß Sie die **maximale Anzahl an Bräunungsstunden nicht überschreiten**. Bei diesem Gerät gilt eine maximale Bräunungszeit von jährlich **21 Stunden = 1260 Minuten**.

Beispiel für normale Haut:

Angenommen, Sie führen eine zehntägige Bräunungskur durch: Am ersten Tag "sonnen" Sie sich 8 Minuten, an den neun folgenden Tagen je 20 Minuten.

Die gesamte Kur umfaßt dann **(1 x 8 Minuten)+(9 x 20 Minuten) = 188 Minuten**. Im Laufe eines Jahres können Sie sechs solcher Kuren durchführen; das macht dann (6 x 188 =) 1128 Minuten.

Das Maximum gilt für jede Körperpartie gesondert, also z.B. jeweils für Vorder- und Rückseite des Körpers. Aus der folgenden Tabelle ist ersichtlich, daß **jede neue Bräunungskur** mit einer Dauer von **8 Minuten** beginnen sollte - unabhängig von der persönlichen Empfindlichkeit der Haut.

Dauer der UV-Bräunung für jede bestrahlte Körperpartie gesondert, in Minuten	1.Tag	Mindestens 48 Stunden aussetzen!	2.Tag	3.Tag	4.Tag	5.Tag	6.Tag	7.Tag	8.Tag	9. Tag	10.Tag
			Bei sehr empfindlicher Haut	8	10	10	10	10	10	10	10
Bei normal empfindlicher Haut	8	20-25	20-25	20-25	20-25	20-25	20-25	20-25	20-25	20-25	20-25
Bei wenig empfindlicher Haut	8	30*)	30*)	30*)	30*)	30*)	30*)	30*)	30*)	30*)	30*)

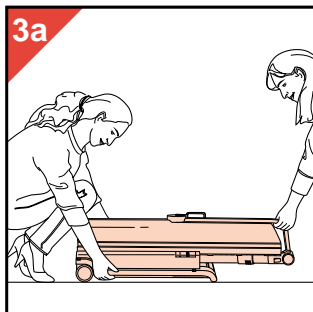
*) oder länger, je nach Empfindlichkeit der Haut.

- Wenn Sie den Eindruck haben, daß die eingestellte Bräunungszeit zu lang ist, z.B. weil Ihre Haut spannt oder stark gerötet ist, dann verkürzen Sie die Bräunungszeit um ca. 5 Minuten pro Körperpartie.

- Um gleichmäßig braun zu werden, sollten Sie Ihre Körperlage während des UV-Sonnenbades öfter ändern.

Allgemeine Beschreibung (Abb. 1, Seite 3)

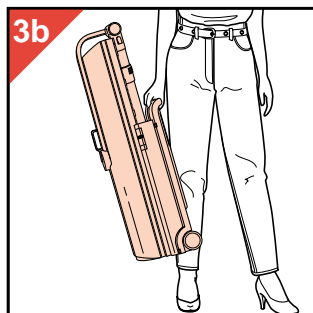
- A** Räder
- B** Netzkabel im Kabelfach
- C** Griff am Grundgehäuse
- D** Fernbedienung mit Zeitschalter
- E** Memo für zwei Personen
- F** Transportverriegelung
- G** Stativ
- H** Höhenverriegelung
zur Entriegelung den Schieber herunterdrücken
- I** Verriegelung am Lampengehäuse
zur Entriegelung beide Hebel herunterdrücken
- J** Griff am Lampengehäuse
- K** Ventilator zur Kühlung
- L** Lampengehäuse
- M** UV-Filter
- N** UV-Lampen, Type Philips HPA flexpower 400 - 600
- O** Reflektor
- P** Abstandsmesser
- Q** Schutzbrille, 2 Stück
Type HB 072, Service-Nr. 4822 690 80147, abgebildet;
bzw. Type HB 071, Service-Nr. 4822 690 80123, nicht
abgebildet.
- R** Grundgehäuse
- S** Typenschild
- T** Stundenzähler



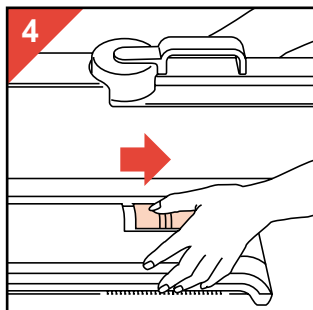
Vor dem Gebrauch

Das Gerät läßt sich im "Transportzustand" bequem rollen.

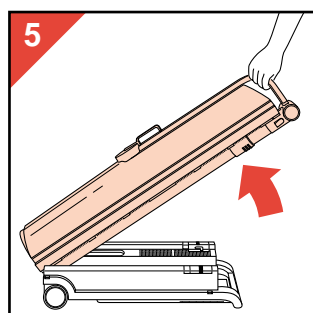
- Aufstellen läßt es sich am leichtesten zu zweit (Abb. 3a).



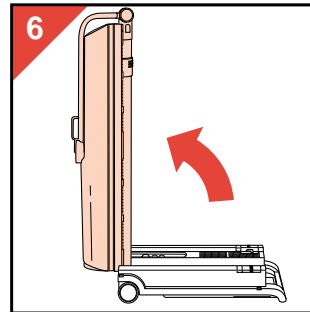
Wer es allein aufstellen will, faßt es (Abb. 3b) am besten am Griff (C) an. Vorsicht: Das Gerät wiegt mehr als 28 kg.



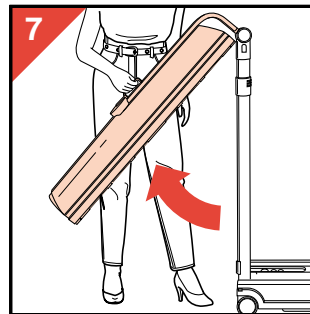
- Lösen Sie das Lampengehäuse (L) vom Grundgehäuse (R), indem Sie die Transportverriegelung (F) in Pfeilrichtung schieben (Abb. 4).



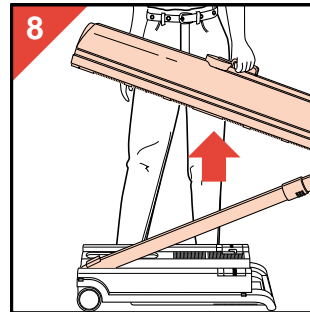
- Ziehen Sie das Stativ (G) und das Lampengehäuse (L) hoch (Abb. 5).



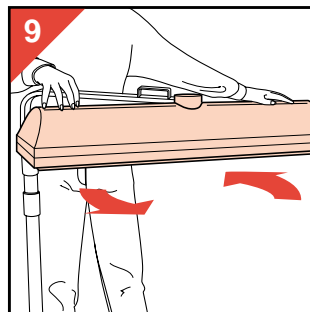
- Richten Sie das Lampengehäuse auf, wie in Abb. 6 gezeigt.



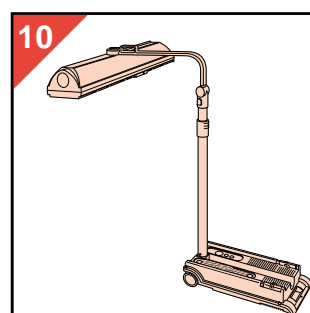
- Fassen Sie das Gerät am Griff (J), und ziehen Sie das Lampengehäuse (L) in die Waagerechte, bis es hörbar einrastet (Abb. 7).



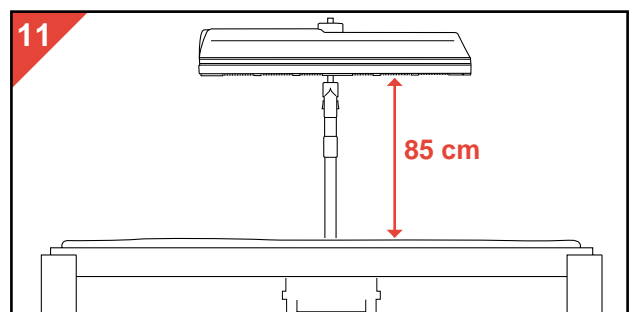
- Sie können das Gerät auch in einem Zug aufrichten, indem sie es sofort am Griff (J) hochziehen (Abb. 8).

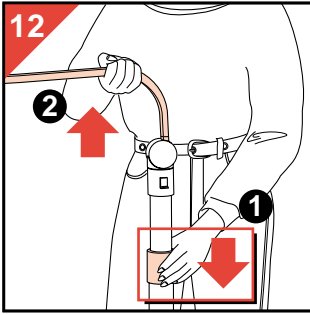


- Schwenken Sie das Lampengehäuse um eine Vierteldrehung (Abb. 9 und 10).



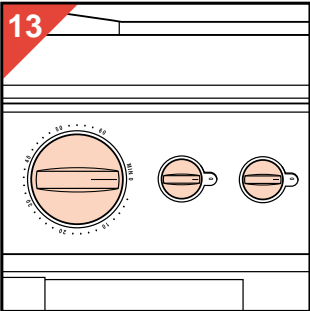
- Richten Sie das Gerät so zur Liege aus, wie es in Abb. 11 gezeigt wird.





- Lösen Sie die Höhenverriegelung (H), indem Sie den Schieber herunterdrücken. Ziehen Sie gleichzeitig das Stativ (G) bis zu einem Abstand von 85 cm zur Liege heraus (Abb. 12). Verwenden Sie hierzu den Abstandsmesser (P).
- Lassen Sie den Schieber der Höhenverriegelung wieder los.

Einstellen der Bräunungszeit



- Stecken Sie den Stecker in die Steckdose (220-240 V).
- Suchen Sie aus der Tabelle in dieser Gebrauchsanweisung und Ihren persönlichen Notizen die angemessene Bräunungszeit.
- Setzen Sie die Schutzbrille auf.
- Stellen Sie auf der Fernbedienung die gewünschte Bräunungszeit ein (Abb. 13).
- Legen Sie sich auf Ihre Liege.

- Wenn die eingestellte Zeit abgelaufen ist, schaltet sich das Gerät automatisch aus.

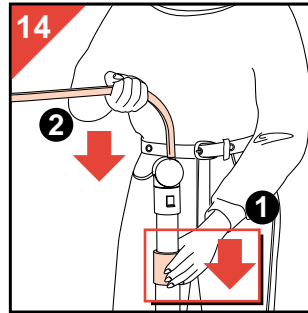
Hinweis: Auf der Fernbedienung kann eine Bräunungszeit von maximal 60 Minuten eingestellt werden. Wollen Sie zwei Körperseiten unmittelbar nacheinander bräunen, so stellen Sie die Zeit kurz vor Ablauf der ersten Bräunung neu ein. Dann brauchen Sie nicht zu warten, bis die UV-Lampen abgekühlt sind und wieder eingeschaltet werden können.

Nach dem UV-Sonnenbad

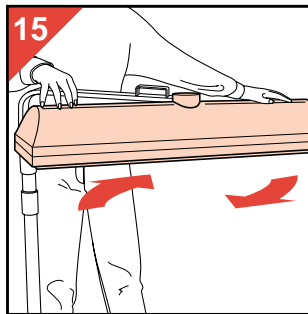
- Halten Sie mit einem der beiden Memos fest, wie viele Bräunungsbäder jede der beiden Personen genommen hat.
- Lassen Sie das Gerät ca. 15 Minuten abkühlen, bevor Sie es zusammenklappen und wieder fortstellen.

So können Sie Ihr Gerät transportieren:

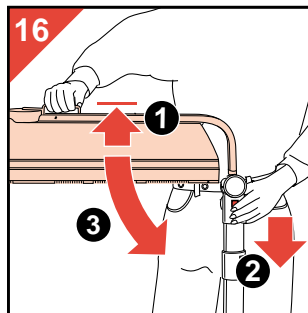
- Verstecken Sie das Netzkabel im Kabelfach (B). Achten Sie darauf, daß das Kabel beim Schließen des Geräts nicht eingeklemmt wird.



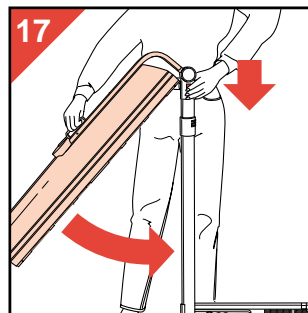
- Lösen Sie die Höhenverriegelung (H), indem Sie den Schieber herunterdrücken, und schieben Sie gleichzeitig das Stativ (G) herunter (Abb. 14). Lassen Sie dann den Schieber wieder los.



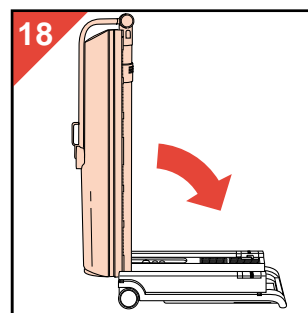
- Schwenken Sie das Lampengehäuse (L) um eine Vierteldrehung (Abb. 15).



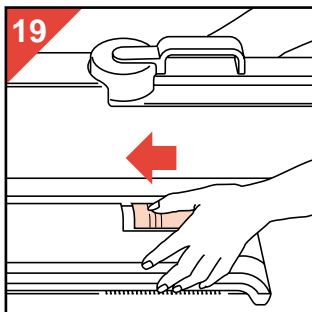
- Heben Sie das Lampengehäuse mit einer Hand etwas an, und lösen Sie seine Verriegelung, indem Sie mit der anderen Hand beide Hebel (I) herunterdrücken (Abb. 16).



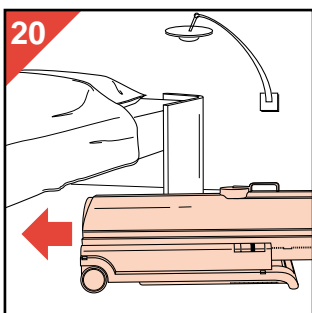
- Lassen Sie das Lampengehäuse vorsichtig in senkrechte Position herab (Abb. 17).
- Lassen Sie die beiden Hebel (I) los.



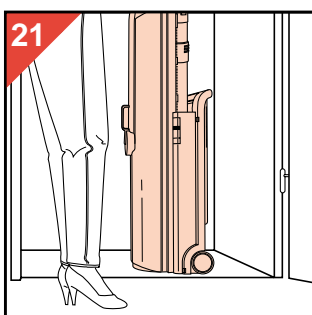
- Lassen Sie das Stativ mit dem Lampengehäuse vorsichtig auf das Grundgehäuse (R) herab (Abb. 18).



- Befestigen Sie das Lampengehäuse am Grundgehäuse, indem Sie die Transportverriegelung (F) in Pfeilrichtung schieben (Abb. 19).



- Danach können Sie das Gerät waagrecht (z.B. unter das Bett) schieben (Abb. 20) ...



oder senkrecht in einem Schrank unterbringen (Abb. 21).

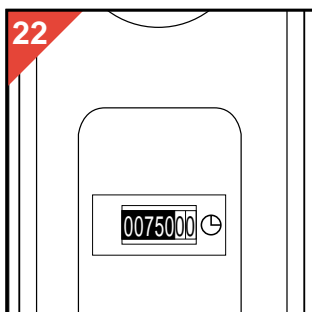
Reinigung

Ziehen Sie immer den Netzstecker aus der Steckdose, und lassen Sie das Gerät abkühlen, bevor Sie es reinigen.

- Wischen Sie das Gerät außen mit einem feuchten Tuch ab. Achten Sie darauf, daß kein Wasser in das Gerät gelangt. Verwenden Sie keine Scheuermittel und keine Lösungsmittel wie Benzin oder Azeton.
- Reinigen Sie die Filterscheibe mit etwas Spiritus auf einem weichen Tuch.

Auswechseln der UV-Lampen und/oder UV-Filter

Im Laufe der Zeit (bei normalem Gebrauch nach Ablauf von einigen Jahren) lassen die UV-Lampen in ihrer Strahlungsintensität allmählich nach. Sie können dann die Bräunungszeit verlängern oder die UV-Lampen auswechseln lassen.



Der Stundenzähler (T) zeigt die Gesamtbetriebsdauer des Geräts an. Es empfiehlt sich, die Lampen nach einer Betriebsdauer von 750 Stunden zu erneuern (Abb. 22).

Die Filterscheiben schützen vor den schädlichen UV-Strahlen. Darum muß eine defekte oder beschädigte Filterscheibe sofort erneuert werden.

Lassen Sie die UV-Lampen und den UV-Filter nur durch autorisiertes Service-Personal auswechseln. Nur diese Personen verfügen über die erforderlichen Kenntnisse, Werkzeuge und Original-Ersatzteile.



Die UV-Lampen enthalten Substanzen, welche die Umwelt gefährden können. Bitte, sorgen Sie dafür, daß sie nach Ablauf ihrer Nutzungsdauer nicht in den normalen Hausmüll gelangen. Geben Sie sie bei den offiziellen Sammelstellen ab.

Technische Daten

Netzspannung	: 220-230V, 50 Hz
Netzsicherung	: 16A Sicherungsautomat 16A Schmelzsicherung
Leistung	: ca. 1350 W
UV-Lampen	: Typ: HPA 400 - 500
Anzahl	: 3
Länge des Netzkabels	: 3 m
Gewicht	: 28 kg
Bestrahlungsfeld	: 1,80 m x 0,75 m

Information und Service

Informationen zu Ihren Fragen, Wünschen und Problemen erhalten Sie auf unserer Homepage www.philips.com oder beim Philips Info Center in Ihrem Lande. Sollte sich in Ihrem Lande kein solches Center befinden, so wenden Sie sich bitte an das Service Department von Philips Domestic Appliances and Personal Care BV. Die Telefonnummern entnehmen Sie bitte der beigelegten Garantieschrift.

Wenn das Solarium nicht so arbeitet, wie gewünscht

Sollte das Solarium nicht wie gewünscht funktionieren, kann dies an einem Defekt liegen. Bitte, zögern Sie nicht, sich dann an Ihren Händler oder den Philips Kundendienst zu wenden.

Das Gerät ist aber vielleicht nicht ganz sachgemäß installiert, und Sie können die Störung selbst beheben. Prüfen Sie es anhand der folgenden Liste, bevor Sie sich an Ihren Händler oder den Philips Kundendienst wenden.

Problem

- Das Gerät schaltet sich nicht ein.
- Beim Einschalten des Geräts schaltet die Sicherung aus.
- Die Bräunung entspricht nicht der Erwartung

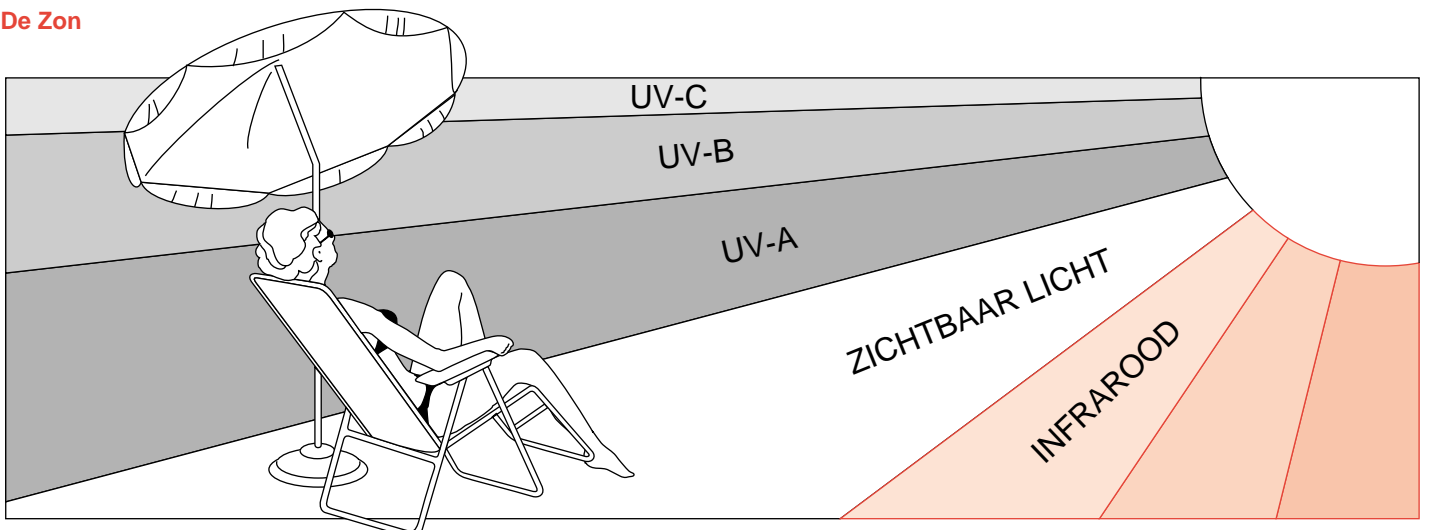
Mögliche Ursache

- Das Gerät ist nicht in gebrauchsfertigem Zustand.
- Stecker nicht in der Steckdose.
- Kein Strom (prüfen Sie mit einem anderen Gerät.)
- Die Lampen sind noch zu heiß und müssen erst ca. 3 Minuten abkühlen.
- Der Überhitzungsschutz hat das Gerät abgeschaltet, weil die Ventilation nicht genügt. Beseitigen Sie die Ursache (z.B. ein Handtuch) und warten Sie ca. 10 Minuten bis zum Wiedereinschalten.
- Prüfen Sie die Sicherung im Stromkreis, an den das Solarium angeschlossen ist.
Es wird ein **16 A Sicherungsautomat** benötigt.
- Die Bräunungskur entspricht nicht Ihrem Hauttyp.
- Die Entfernung ist zu groß.
- Nach langem Gebrauch nimmt die Leistung der UV-Lampen an UV-Strahlen ab.
(Bei normalem Gebrauch erst nach Jahren spürbar.)
Sie können die Bräunungszeit verlängern oder die Lampen austauschen.
- Sie verwenden ein Verlängerungskabel, das zu lang, nicht völlig abgewickelt oder für die auftretende Stromstärke nicht geeignet ist. Sie sollten nach Möglichkeit auf Verlängerungskabel **ganz** verzichten.

Belangrijk

- Controleer, voordat u het apparaat aansluit, of de netspanning in uw woning overeenkomt met de aanduiding op het typeplaatje.
- Water en elektriciteit vormen een gevaarlijke combinatie. Gebruik het solarium daarom niet in vochtige ruimten (douche) of in de nabijheid van een zwembad.
- Als u juist hebt gezwommen of een douche hebt genomen, droogt u zich dan goed af voordat u het apparaat gebruikt.
- Voorkom dat kinderen met het solarium spelen. Neem uit voorzorg na gebruik de stekker uit het stopcontact.
- Laat het solarium na gebruik afkoelen (± 15 minuten), voordat u het weer in de transportstand brengt en wegzet.
- Verplaats het solarium alleen in de transportstand (fig. 2).
- Houd de ventilatie-openingen in de kap en in het voetstuk tijdens het gebruik van het solarium open.
- Het solarium is uitgerust met automatische beveiligingen tegen oververhitting. Als de koeling onvoldoende is (bijvoorbeeld doordat de ventilatie-openingen zijn afgedekt), wordt hierdoor het solarium automatisch uitgeschakeld. Nadat de oorzaak van de oververhitting is weggenomen en het solarium voldoende is afgekoeld, schakelt het apparaat zichzelf automatisch weer in.
- Neem de aangegeven behandeltijden en het maximale aantal "zonne-uren" in acht. (Zie "UV zonnebaden: Hoe vaak? En hoe lang?")
- Kies geen kortere behandelaafstand dan 65 cm.
- Behandel elk gedeelte van het lichaam niet vaker dan één keer per dag. Vermijd diezelfde dag een overmatige blootstelling aan natuurlijk zonlicht.
- Neem geen UV zonnebad als u ziekteverschijnselen hebt en/of medicijnen of cosmetica gebruikt die de huidgevoeligheid verhogen. In gevallen van individuele hoge gevoeligheid voor ultraviolet is extra voorzichtigheid vereist. Raadpleeg bij twijfel uw arts.
- Wend u tot uw arts wanneer er zich op uw huid zweren, pigmentvlekken of hardnekkige knobbels ontwikkelen.
- Een solarium dient niet te worden gebruikt door personen waarvan de huid bij blootstelling aan de zon verbrandt zonder te bruinen, door personen die last hebben van zonnebrand, door kinderen, door personen die lijden aan huidkanker, daaraan vroeger hebben geleden of daarvoor vatbaar zijn.
- Gebruik altijd de bijgeleverde beschermbril. U beschermt zo uw ogen tegen te grote doses ultraviolet, zichtbaar licht en infrarood. (Zie ook "UV en uw gezondheid".)
- Ontdoe uw huid van crèmes, lippenstift en andere cosmetische middelen, geruime tijd voordat u een UV zonnebad neemt.
- Gebruik geen lotions of crèmes die bedoeld zijn ter bescherming tegen zonnebrand.
- Gebruik geen lotions of crèmes die bedoeld zijn om de bruining van de huid te bevorderen.
- Indien uw huid na het zonnebad enigszins strak aanvoelt, kunt u een vochtinbrengende crème gebruiken.
- Gebruik het solarium nooit als het filterglas is beschadigd, gebroken of verwijderd, of als de tijdschakelaar defect is.
- Het UV filter wordt tijdens het UV zonnebad tamelijk warm. Raak het daarom niet aan.
- Evenals door de zon bepaalde materialen verkleuren, kan dit ook door gebruik van het solarium gebeuren.
- Verwacht van het solarium geen betere resultaten dan van de zon.

De Zon



De zon is de bron van energie waar alle leven op aarde van afhankelijk is. Er zijn verschillende soorten zonne-energie: het zonlicht stelt ons in staat om te zien, we koesteren ons in de warmte van de zon en de zonnestralen geven onze huid een bruine tint. Deze drie effecten worden veroorzaakt door drie verschillende componenten van het zonnespectrum, elk met zijn eigen golflengte.

De zon zendt elektromagnetische trillingen uit met veel verschillende golflengten. De golflengten van warmtestralen oftewel "infrarood" (IR) zijn groter dan die van het zichtbare licht. En de golflengten van "ultraviolet" (UV), dat onze huid bruin maakt, zijn kleiner. De techniek is erin geslaagd deze drie soorten zonne-energie te reproduceren: warmtestraling (bijvoorbeeld Infraphil), licht (lampen) en UV (solariums, zonnebanken e.d.).

UV-A, UV-B en UV-C

Ultraviolet (UV) wordt onderverdeeld in UV-A (grootste golflengten), UV-B en UV-C (kleinste golflengten).

UV-C bereikt de aarde vrijwel niet, omdat het door de dampkring wordt weggefilterd.

UV-A en UV-B zorgen voor de bruining van de huid.

In feite zijn er twee processen die gelijktijdig voor de bruining zorgen:

- **Indirecte bruining**". Vooral UV-B zorgt voor een toename van de productie van een voor de bruining noodzakelijke stof, die "melanine" wordt genoemd. Pas enkele dagen na het zonnebad wordt het effect ervan zichtbaar.
- **"Directe bruining"**. Het UV-A, en ook een deel van het zichtbare licht, zorgt voor snelle bruining zonder rood kleuren of "verbranden".

Het solarium

Dit solarium straalt voornamelijk UV-A uit, en daarnaast een heel kleine hoeveelheid UV-B.

Verder heeft het een aantal belangrijke eigenschappen, die het zonnen in huis werkelijk comfortabel maken.

Dankzij het unieke type zonnelamp, dat -net als de zon- **licht, warmte en ultraviolet** uitstraalt, kunt u dit solarium zo opstellen dat het is alsof u echt in de zon ligt. Uw hele lichaam wordt van top tot teen gelijkmatig gebruid.

Om het u gemakkelijk te maken, maar ook om te voorkomen dat een behandeling onbedoeld te lang wordt voortgezet (bijvoorbeeld als u in slaap zou zijn gevallen), schakelt het

apparaat zichzelf na maximaal 60 minuten automatisch uit. Want, net als bij de echte zon: het is maar beter om ervoor te zorgen dat u niet te veel van het goede krijgt! (Zie het gedeelte: "UV en uw gezondheid".)

UV en uw gezondheid

Bij overdadig gebruik van het solarium kan huidverbranding (zonnebrand) optreden.

Naast tal van andere factoren, zoals overmatige blootstelling aan de zon, kan onoordeelkundig en overmatig gebruik van uw solarium het risico van huid- en oogaandoeningen verhogen. De aard, intensiteit en duur van de bestraling enerzijds, en de gevoeligheid van de persoon in kwestie anderzijds, zijn bepalend voor de mate waarin deze effecten kunnen optreden. Naarmate huid en ogen meer worden blootgesteld aan UV, treden hogere risico's op ten aanzien van aandoeningen als ontsteking van het hoornvlies en/of bindvlies, beschadiging van het netvlies, staarvorming, versnelde veroudering van de huid en huidtumoren.

Sommige medicijnen en cosmetica verhogen de gevoeligheid.

Het is daarom van groot belang,

- dat u de aanwijzingen in de gedeelten "Belangrijk" en "UV zonnebaden: Hoe vaak? En: hoe lang?" opvolgt;
- dat u de geadviseerde behandelaafstand (= 65 cm) aanhoudt;
- dat u het maximale aantal zonne-uren per jaar (= 21 uren of 1260 minuten) niet overschrijdt;
- en dat u altijd tijdens het gebruik de bijgeleverde beschermbril draagt.

UV zonnebaden: Hoe vaak? En hoe lang?

U kunt **per dag één UV zonnebad** nemen. Dit doet u gedurende **5 tot 10 dagen**. Tussen de eerste twee zonnebaden neemt u een pauze van minstens 48 uur.

Na zo'n kuur kunt u een **rustpauze** nemen.

Een maand na de vorige kuur zal uw huid haar bruine tint voor een belangrijk deel weer zijn kwijtgeraakt. U kunt dan een nieuwe kuur beginnen.

Het is echter ook mogelijk om na de kuur nog **één of twee UV zonnebaden per week** te nemen, om de bruine tint te behouden.

Welke van deze beide mogelijkheden u ook kiest, zorg ervoor dat u **het maximale aantal zonne-uren niet overschrijdt**.

Voor dit solarium is dat **21 uren (= 1260 minuten)** per jaar.

Voorbeeld:

Stel dat u een UV kuur van **10 dagen** volgt, met op de **eerste dag** een UV zonnebad van **8 minuten** en op de **negen daaropvolgende dagen** UV zonnebaden van **20 minuten**.

De totale kuur omvat dan (1 x 8 minuten) + (9 x 20 minuten =) **188 minuten**.

Per jaar mag u dan **6 van deze kuren** volgen.

(Immers: 6 x 188 minuten = 1128 minuten.)

Uiteraard geldt het maximale aantal zonne-uren **voor elke apart behandelde zijde of deel van het lichaam**. (Bijvoorbeeld voor de buikzijde en voor de rugzijde.)

Zoals uit de tabel blijkt, geldt voor het **eerste UV zonnebad van een kuur** altijd een tijdsduur van **8 minuten**. Dit is niet afhankelijk van de huidgevoeligheid.

Duur van het UV-zonnebad (voor elk apart te behandelen gedeelte van het lichaam) in minuten:	1e keer	2e keer	3e keer	4e keer	5e keer	6e keer	7e keer	8e keer	9e keer	10e keer
-voor personen met een bijzonder gevoelige huid:	8	10	10	10	10	10	10	10	10	10
-voor personen met een normaal gevoelige huid:	8	20-25	20-25	20-25	20-25	20-25	20-25	20-25	20-25	20-25
-voor personen met een minder gevoelige huid:	8	30*)	30*)	30*)	30*)	30*)	30*)	30*)	30*)	30*)

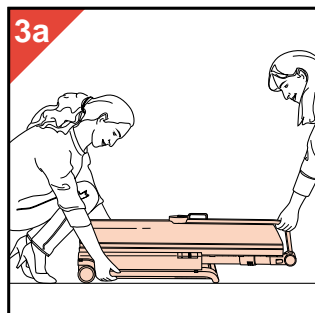
*) of langer, afhankelijk van de huidgevoeligheid.

- Wanneer u vindt dat het zonnebad voor u te lang duurt (bijv. door een trekkerig gevoel van uw huid), dan bekort u elk zonnebad met bijvoorbeeld 5 minuten per zijde van het lichaam.

- Om ook de zijkanten van uw lichaam mooi egaal bruin te krijgen, adviseren wij het lichaam tijdens het UV zonnebad wat te draaien.

Algemene beschrijving (fig. 1, bldz. 3)

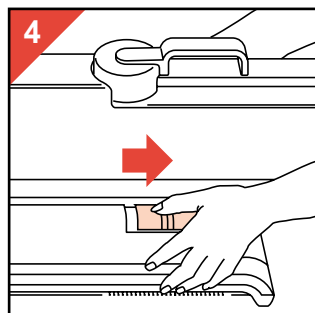
- A** Wielen
- B** Snoer in opbergruimte
- C** Handgreep
- D** Tijdschakelaar
- E** Memo's (voor twee personen)
- F** Schuifsluitingen
- G** Statief
- H** Hoogtevergrendeling
(ontgrendelen: kraag omlaag schuiven)
- I** Kapvergrendeling
(ontgrendelen: beide lippen omlaag drukken)
- J** Handgreep
- K** Ventilator (koeling)
- L** Kap
- M** UV filter
- N** Zonnelampen (type Philips HPA 400 - 500)
- O** Zonnespiegel
- P** Meetlint
- Q** Beschermbrillen (2x)
(Typenr. HB 072 / servicenr. 4822 690 80147 - afgebeeld - of typenr.HB 071 / servicenr. 4822 690 80123 - niet afgebeeld -)
- R** Voetstuk
- S** Typeplaatje
- T** Urenteller



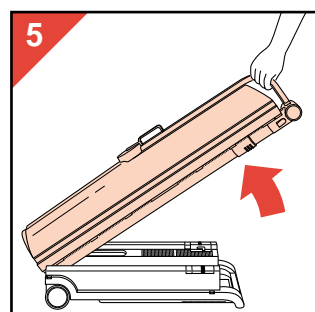
Klaarmaken voor gebruik
In de "transportstand" kunt u uw solarium gemakkelijk verplaatsen (fig. 3a).



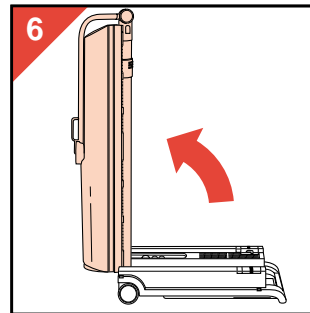
- Als het solarium door één persoon moet worden getild, kan het best handgreep (C) worden gebruikt (fig. 3b).
N.B.: Het apparaat weegt meer dan 28 kg.



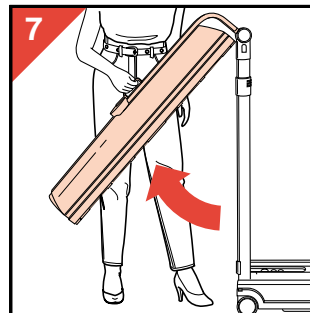
- Door de schuiven van de sluitingen (F) in de richting van de pijl te bewegen, maakt u de kap (L) los van het voetstuk (R) (fig. 4).



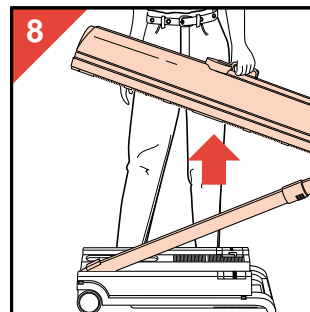
- Trek het statief (G) en de kap (L) omhoog (fig. 5).



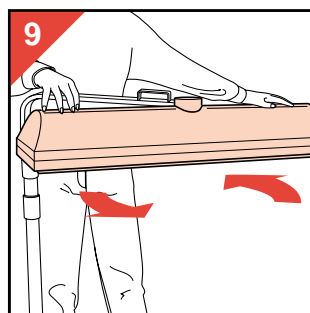
- Zet het solarium in de stand die in fig. 6 is aangegeven.



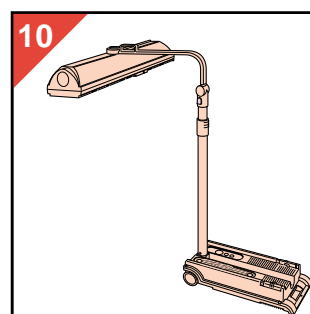
- Breng nu de kap (L) in horizontale stand. Gebruik hierbij de handgreep (J) (fig. 7).
Bij het passeren van de vaste standen hoort u klikken.



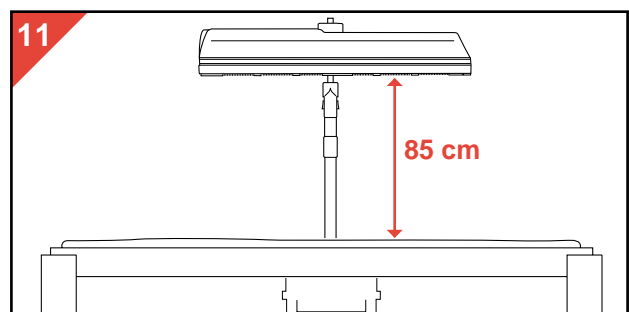
- In plaats van de zojuist beschreven stap-voor-stap methode, kunt u ook gebruik maken van een gecombineerde beweging. Houd de handgreep vast (J) (fig. 8).

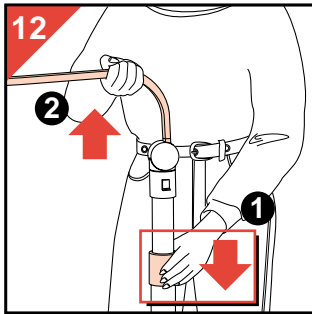


- Draai de kap een kwartslag (fig. 9 en 10).



- Plaats het solarium bij het bed zoals aangegeven in fig. 11.





- Maak de hoogtevergrendeling (H) los door de kraag naar beneden te schuiven. Schuif tegelijkertijd het statief (G) uit tot 85 cm boven het bed (fig. 12). Gebruik hierbij het meetlint (P).
- Laat vervolgens de kraag weer los.

Na het zonnebad

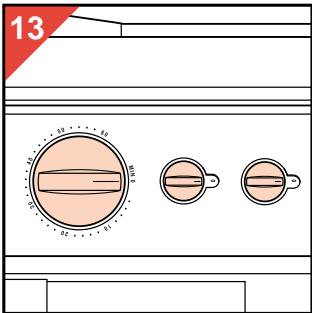
- Houd op één van de memo's bij hoeveel beurten u heeft gehad. Er zijn twee memo's, voor twee gebruikers.
- Laat het solarium minstens 15 minuten afkoelen voordat u het in de transportstand terugbrengt en wegzet.

Breng het solarium in de transportstand:

- Rol het netsnoer op en berg het op in de opbergruimte (B). Doe dit zorgvuldig, zodat het niet klem komt bij het sluiten van de kap.

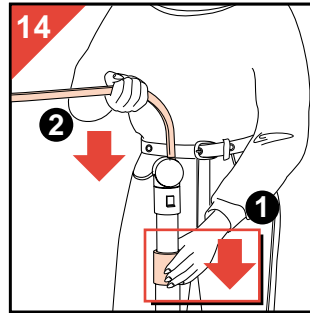
Tijdschakelaar instellen

- Steek de stekker in het stopcontact (220-230 V).
- Raadpleeg de tabel in deze gebruiksaanwijzing en uw eigen aantekeningen.
- Zet de beschermbril op.
- Stel de tijdschakelaar in op de behandelingsduur (fig. 13).
- Neem plaats onder het solarium.
- Nadat de ingestelde tijd is verstreken, schakelt de tijdschakelaar het apparaat automatisch uit.

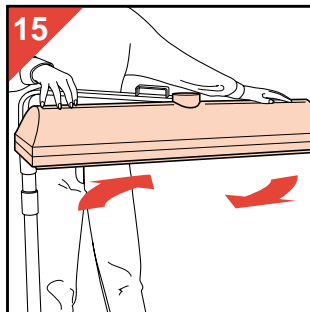


N.B. De tijdschakelaar is instelbaar tot maximaal 60 minuten.

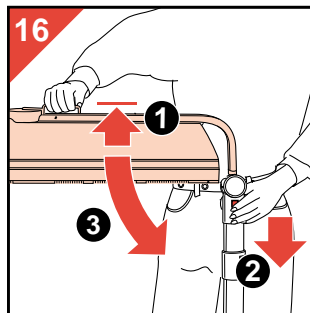
Als u beide zijden van het lichaam direct na elkaar wilt behandelen, is het aan te raden de tijdschakelaar opnieuw in te stellen vlak voordat de ingestelde tijd is verstreken. Daarmee vermijdt u een wachttijd van minstens drie minuten. (Na het uitschakelen moeten de zonnelampen minstens drie minuten afkoelen voordat zij weer kunnen gaan branden.)



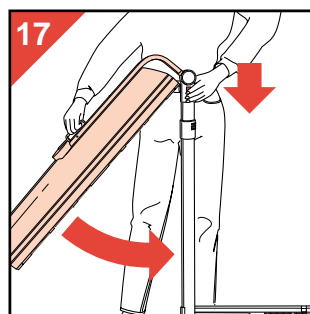
- Maak de hoogtevergrendeling (H) los door de kraag naar beneden te schuiven. Schuif tegelijkertijd het statief in (fig. 14). Laat vervolgens de kraag weer los.



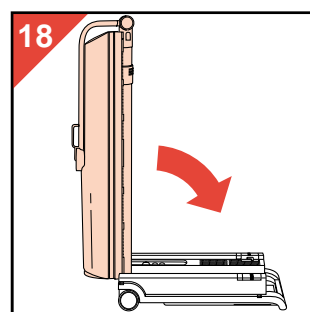
- Draai de kap een kwartslag (fig. 15).



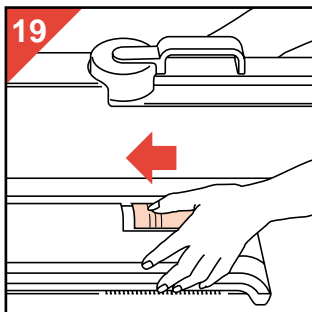
- Til met één hand de kap iets omhoog en ontgrendel de kap door met de andere hand de beide lippen (l) omlaag te schuiven (fig. 16).



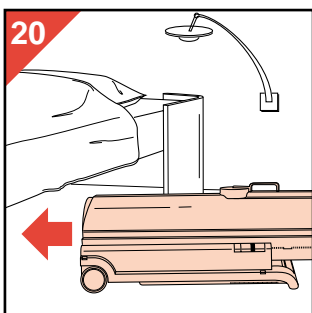
- Laat de kap voorzichtig in verticale stand komen (fig. 17).



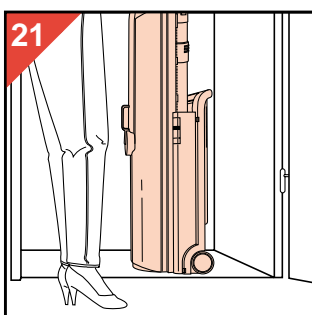
- Laat de beide lippen (l) los.
- Laat het statief met de kap voorzichtig dalen naar de voet van het apparaat (fig. 18).



- Vergrendel de kap met het voetstuk door de schuiven (F) in de richting van de pijl te bewegen (fig. 19).



- Na gebruik kunt u het solarium bijvoorbeeld onder een bed schuiven (fig. 20)



of rechtop in een kast zetten (fig. 21).

Het UV filter beschermt u tegen ongewenste straling. Laat daarom een beschadigd of defect filterglas meteen vervangen.

Laat de zonnelampen en het UV filter uitsluitend door een bevoegde service instantie vervangen: alleen daar beschikt men over de benodigde deskundigheid en originele vervangingsonderdelen.

De lampen van solaria bevatten stoffen die schadelijk kunnen zijn voor het milieu. Als u lampen afdankt, zorgt u er dan voor dat deze niet in het normale huisvuil terecht komen, maar ingeleverd worden op een door de overheid daartoe aangewezen plaats.



Dit produkt is gefabriceerd in overeenstemming met de radiostoringsvoorschriften van de geldende EEG-Richtlijn.

Informatie & service

Als u informatie nodig heeft of als u een probleem heeft, bezoek dan onze Website (www.philips.com), of neem contact op met het Philips Customer Care Centre in uw land (u vindt het telefoonnummer in het 'worldwide guarantee' vouwblad). Als er geen Customer Care Centre in uw land is, ga dan naar uw Philips dealer of neem contact op met de afdeling Service van Philips Domestic Appliances and Personal Care BV.

Schoonmaken

Haal altijd de stekker uit het stopcontact en laat het solarium afkoelen voordat u het schoonmaakt.

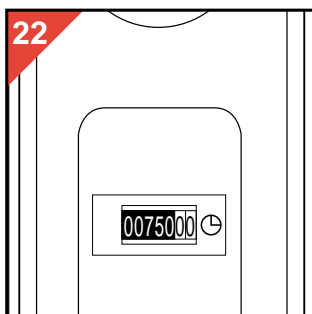
- U kunt de buitenkant van het solarium schoonmaken met een vochtige doek. Zorg ervoor dat er geen water in het apparaat loopt. Gebruik geen schuurmiddelen of schuurdoekjes, benzine of aceton voor het schoonmaken.
- Het UV-A filter kunt u schoonmaken met een zachte doek, besprenkeld met wat spiritus.


Zonnelampen en/of UV filter vervangen

Na verloop van tijd (bij normaal gebruik na enkele jaren) gaan de zonnelampen minder fel stralen.

U merkt dit aan een teruglopend bruiningsresultaat.

Ondervang dit door voor de UV zonnebaden een iets langere tijdsduur in te stellen, of door de zonnelampen te laten vervangen.



De urenteller  geeft het totale aantal branduren van de lampen aan. In het algemeen is het aan te bevelen de lampen na 750 uren te vervangen (fig. 22).

Solarium werkt niet naar wens?

Als het solarium niet naar wens functioneert, kan dit het gevolg zijn van een defect. Waarschuw dan uw leverancier of een Service Centrum.

Het is echter ook mogelijk, dat het apparaat niet volgens de aanwijzingen is geïnstalleerd, of onjuist wordt gebruikt. In dat geval bent u zelf in staat het probleem direct te verhelpen.

U kunt daartoe gebruik maken van het volgende gedeelte. Neem het even door, voordat u contact opneemt met uw leverancier of Service Centrum.

Probleem

- Solarium start niet.
- De netzekering schakelt de netstroom uit wanneer u het solarium inschakelt of tijdens het gebruik.
- De bruining laat te wensen over.

Mogelijke oorzaken

- Apparaat staat niet in de juiste stand voor gebruik.
- Stekker is niet in het stopcontact.
- Er is geen netspanning. (Controleer dit met behulp van een ander apparaat.)
- De lampen zijn nog te warm om te kunnen starten. (Laat de lampen ca. 3 minuten afkoelen.)
- De koeling was onvoldoende en de automatische beveiliging heeft het apparaat uitgeschakeld. Neem de oorzaak van de oververhitting weg (bijvoorbeeld: verwijder handdoek van ventilatie-opening), wacht 10 minuten en schakel het solarium opnieuw in.
- Controleer de zekering waarop uw solarium is aangesloten. Het juiste type is een 16 A smeltzekering of een trage automatische zekering.
- U past niet de voor u optimale bruiningskuur toe.
- De behandelafstand is groter dan voorgeschreven.
- Na langdurig gebruik vermindert de UV-productie van de lampen. (Bij normaal gebruik wordt dit effect pas na jaren merkbaar.) U kunt dit ondervangen door een iets langere tijdsduur in te stellen, of door de zonnelampen te laten vervangen.
- U gebruikt een verlengsnoer dat te lang is en/of niet geschikt is voor het vereiste vermogen. In het algemeen raden wij aan **geen** verlengsnoer te gebruiken. Raadpleeg uw leverancier.

IMPORTANTE

- Prima di collegare l'apparecchio alla presa di alimentazione, controllate che la tensione indicata sulla targhetta dell'apparecchio corrisponda a quella della rete locale.
- Acqua ed elettricità rappresentano una combinazione pericolosa!
Perciò non usate l'apparecchio in ambienti in cui potete venire a contatto con l'acqua (es. in bagno, vicino alla doccia, oppure ai bordi di una piscina).
- Al termine di una nuotata o dopo aver fatto la doccia, asciugatevi con cura prima di usare l'apparecchio.
- Fate in modo che i bambini non giochino con il solarium.
Per maggior precauzione, togliete sempre la spina dalla presa dopo aver usato l'apparecchio.
- Lasciate raffreddare il solarium (per circa 15 minuti) dopo l'utilizzo prima di chiuderlo e riporlo.
- Spostate il solarium soltanto quando è chiuso (fig. 2).
- Quando usate il solarium, fate in modo che le prese di aspirazione nella parte superiore e sul supporto non siano ostruite.
- Questo solarium è dotato di un dispositivo automatico di sicurezza anti-surriscaldamento. Nel caso di raffreddamento insufficiente (ad es. quando le prese di ventilazione sono ostruite), questo dispositivo spegnerà automaticamente l'apparecchio. Una volta eliminata la causa del surriscaldamento e quando l'apparecchio si sarà raffreddato in modo adeguato, il solarium si riaccenderà automaticamente.
- Non superate il numero di sedute o il numero massimo di "ore di abbronzatura" consigliati (Vedere la sezione "Sedute UV: Quante volte? Per quanto tempo?")
- Mantenete il solarium ad una distanza minima di 65 cm.
- Non esponete ogni parte del corpo più di una volta al giorno. Evitate di esporvi in modo eccessivo ai raggi diretti del sole nello stesso giorno in cui vi sottoponete ad una seduta di raggi UV.
- Se siete ammalati e/o se state prendendo dei medicinali o usate cosmetici che aumentano la sensibilità della pelle, evitate di sottoporvi ad una seduta UV. Prestate particolarmente attenzione nel caso di particolare sensibilità individuale ai raggi ultravioletti.
In caso di dubbi, rivolgetevi al medico.
- Il solarium non deve essere usato da persone che di norma si scottano senza abbronzarsi se esposti al sole, da chi è reduce da scottature, dai bambini o da persone affette da tumore alla pelle o predisposte ad esso.
- Rivolgetevi al medico nel caso appaiano ulcerazioni, nei o noduli persistenti sulla pelle.
- Indossate sempre gli speciali occhialini di protezione durante le sedute per proteggere gli occhi da una dose eccessiva di raggi ultravioletti, infrarossi e dalla luce visibile (vedere anche la sezione: "I raggi UV e la vostra salute").
- Prima di esporvi ai raggi UV, togliete qualsiasi traccia di crema, rossetto e altri cosmetici.
- Non usate creme o lozioni solari.
- Nel caso la pelle risultasse troppo secca dopo una seduta, applicate una crema idratante.
- Non usate mai il solarium nel caso il filtro UV fosse rotto o danneggiato o qualora il timer non funzionasse a dovere.
- Il filtro UV diventerà molto caldo durante l'uso. Evitate di toccarlo.
- I colori possono sbiadire se esposti al sole. E' possibile che si verifichi la stessa cosa utilizzando un solarium.
- Non aspettatevi con un solarium risultati migliori di quelli ottenibili con i raggi del sole.

Il Sole

Il sole è la fonte di energia da cui dipende la vita sul nostro pianeta.

Esistono diversi tipi di energia solare: i raggi del sole ci permettono di vedere, ci riscaldano e consentono alla pelle di abbronzarsi.

Questi tre effetti sono dovuti a tre specifici componenti dello spettro solare, ognuno con una lunghezza d'onda diversa. Il sole irradia onde elettromagnetiche con lunghezza diversa. La lunghezza d'onda dei raggi "infrarossi" (IR) è maggiore rispetto a quella della "luce visibile". I raggi infrarossi, una volta assorbiti dalla materia, sono convertiti in calore. La lunghezza d'onda dei raggi "ultravioletti" (UV), responsabili dell'abbronzatura della pelle, è invece minore.

La scienza è riuscita a riprodurre i tre tipi di radiazione solare: il calore (con lampade a raggi infrarossi), la luce (con le comuni lampadine) e i raggi ultravioletti (con le lampade solari).

UV-A, UV-B e UV-C

I raggi ultravioletti (UV) si dividono in raggi UV-A (con la lunghezza d'onda maggiore), UV-B e UV-C (con la lunghezza d'onda minore).

I raggi UV-C raggiungono raramente la terra in quanto vengono filtrati dall'atmosfera.

I raggi UV-A e UV-B determinano invece l'abbronzatura della pelle.

In realtà sono due i processi che provocano l'abbronzatura, operando in modo simultaneo:

- **"Abbronzatura indiretta"**. Innanzitutto i raggi UV-B stimolano la produzione di una sostanza chiamata "melanina" (il pigmento della pelle che ne determina il colore), necessaria per l'abbronzatura. L'effetto risulta visibile soltanto un paio di giorni dopo l'esposizione.
- **"Abbronzatura diretta"**. I raggi UV-A e anche parte della luce visibili determinano un'abbronzatura più rapida senza scottature o arrossamenti.

IL SOLARIUM

Questo solarium emette prevalentemente raggi UV-A ed in minima parte anche raggi UV-B. Le sue caratteristiche permettono di ottenere una splendida abbronzatura nella comodità della vostra casa.

La lampada usata in questo solarium emette **luce, calore e raggi ultravioletti**, proprio come il sole.

Potrete posizionare il solarium in modo da sdraiarsi proprio come sotto il sole e abbronzare l'intero corpo, dalla testa ai piedi, in modo uniforme.

Per una maggior praticità, ma anche per evitare esposizioni troppo prolungate (es. nel caso in cui ci si addormenti), l'interruttore con timer incorporato spegne automaticamente l'apparecchio 60 minuti dopo l'accensione.

Proprio come per il sole, è sempre meglio non esagerare! (Vedere sezione "I raggi UV e la vostra salute").

I RAGGI UV E LA VOSTRA SALUTE

Dopo un'esposizione troppo prolungata ai raggi ultravioletti (siano essi provenienti dal sole o dal solarium), la pelle può scottarsi.

Insieme a numerosi altri fattori, fra cui un'eccessiva esposizione ai raggi del sole, l'uso improprio o eccessivo del solarium può aumentare il rischio di problemi alla pelle o agli occhi.

Da una parte la natura, l'intensità e la durata delle radiazioni e dall'altra la sensibilità individuale sono fattori decisivi per stabilire il grado con cui questi problemi si possono verificare. Più gli occhi e la pelle sono esposti ai raggi UV e maggiore è il rischio di disturbi quali infiammazione della cornea e/o congiuntivite, lesione della retina, cataratta, invecchiamento precoce e tumori della pelle.

Ricordate inoltre che alcuni farmaci e cosmetici possono aumentare la sensibilità ai raggi UV.

E' pertanto della massima importanza:

- attenersi alle istruzioni riportate nelle sezioni "Importante" e "Sedute UV. Quante volte? Per quanto tempo?";
- rispettare la distanza consigliata di almeno 65 cm.;
- non superare il numero annuo consigliato di ore di abbronzatura (cioè 21 ore oppure 1260 minuti);
- indossare sempre gli speciali occhialini di protezione durante le sedute.

SEDUTE UV: QUANTE VOLTE? PER QUANTO TEMPO?

Potete sottoporvi ad **una seduta di raggi UV al giorno** per un periodo di **5-10 giorni**. Fra la prima e la seconda seduta, osservate un intervallo di almeno 48 ore.

Trascorso tale periodo, fate riposare la pelle per un po'.

Circa **un mese** dopo il ciclo di sedute, la pelle avrà perso gran parte dell'abbronzatura. A questo punto potrete decidere di iniziare un nuovo ciclo.

D'altra parte, è anche possibile sottoporsi a **una o due sedute di raggi UV alla settimana** fra un ciclo e l'altro per **mantenere l'abbronzatura**.

Qualunque sia la frequenza stabilita, **non superate il limite massimo di numero di ore consigliate**.

Con questo tipo di solarium, il limite è stato stabilito in **21 ore (= 1260 minuti) all'anno**.

Esempio:

Immaginiamo che vi sottoponiate ad un ciclo di raggi UV di **10 giorni**, con una seduta di **8 minuti il primo giorno** e di **20 minuti nei nove giorni successivi**.

L'intero ciclo sarà così composto da (1 x 8 minuti) + (9 x 20 minuti) = **188 minuti**.

Nel corso di un anno potrete quindi sottoporvi a **6 di questi cicli** (6 x 188 minuti = 1128 minuti).

Ovviamente questo limite massimo si riferisce ad **ogni singola parte del corpo trattata separatamente** (ad es. per la parte anteriore e per quella posteriore del corpo).

Dalla tabella allegata risulta che **la prima seduta di un ciclo dovrà avere una durata di 8 minuti**. E questo indipendentemente dalla sensibilità della pelle di ogni persona.

Durata del trattamento UV (per ciascuna parte del corpo) espressa in minuti	1 ^a volta	intervallo di almeno 48 ore	2 ^a volta	3 ^a volta	4 ^a volta	5 ^a volta	6 ^a volta	7 ^a volta	8 ^a volta	9 ^a volta	10 ^a volta
- per persone con pelle molto sensibile	8		10	10	10	10	10	10	10	10	10
- per persone con pelle normale	8		20-25	20-25	20-25	20-25	20-25	20-25	20-25	20-25	20-25
- per persone con pelle poco sensibile	8		30*)	30*)	30*)	30*)	30*)	30*)	30*)	30*)	30*)

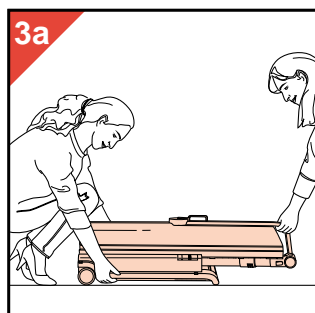
*) o più a lungo, a seconda della sensibilità della vostra pelle

- **Se pensate che le sedute siano troppo lunghe per la vostra pelle (ad. es. nel caso in cui la pelle risulti tirata o eccessivamente sensibile al termine della seduta), vi consigliamo di ridurre la durata della stessa (provate con 5 minuti in meno per ogni parte del corpo).**

- **Per ottenere una splendida abbronzatura, perfettamente uniforme, giratevi leggermente durante la seduta in modo da assicurare una migliore esposizione ai raggi abbronzanti di tutte le parti del corpo.**

DESCRIZIONE GENERALE (fig. 1, pagina 3)

- A** Ruote
- B** Cavo di alimentazione nell'alloggiacavo
- C** Maniglia
- D** Timer
- E** Memorizzazione n° sedute (per due persone)
- F** Guide
- G** Supporto
- H** Blocco per la regolazione dell'altezza (per sbloccarlo: far scivolare l'anello verso il basso)
- I** Blocco per la regolazione della parte superiore (per sbloccarlo: premete le due linguette verso il basso)
- J** Maniglia
- K** Ventola (per il raffreddamento)
- L** Parte superiore
- M** Vetro filtrante UV
- N** Lampade solari (modello Philips HPA 400 - 500)
- O** Riflettore
- P** Metro a nastro (misuratore della distanza)
- Q** Occhialini di protezione (2 paia)
(HB 072/ mod. n° 4822 690 80147 - illustrato o
HB 071/ mod. 4822 690 80123 - non illustrato)
- R** Parte inferiore
- S** Targhetta prodotto
- T** Conta-ore



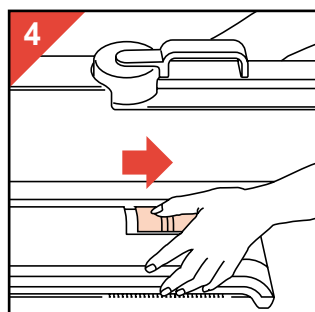
COME PREPARARE IL SOLARIUM PRIMA DELL'USO

Nella "posizione di trasporto" il solarium è su ruote per facilitarne lo spostamento.

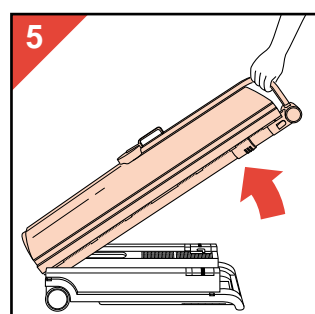
- Sollevarlo è più facile se vi fate aiutare da un'altra persona (fig. 3a)



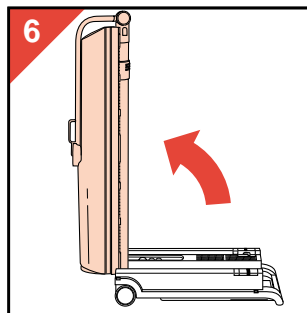
Se dovete sollevare il solarium da soli, vi consigliamo di usare l'apposita maniglia (C) (fig. 3b).
Nota: l'apparecchio pesa poco più di 28 kg.



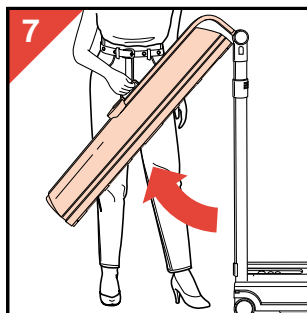
- Sbloccate la parte superiore (L) da quella inferiore (R) premendo le guide (F) nella direzione della freccia (fig. 4).



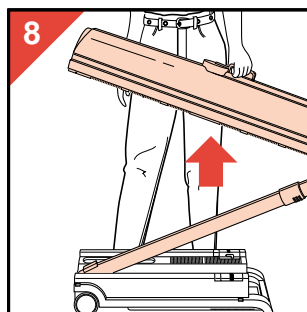
- Alzate il supporto (G) e la parte superiore (L) (fig. 5).



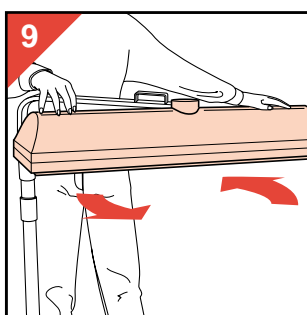
- Mettete il solarium nella posizione indicata nella fig. 6



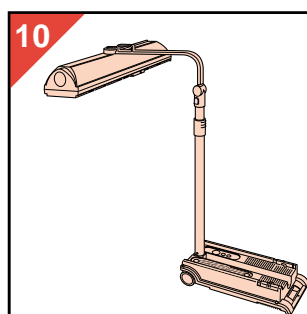
- Posizionate la parte superiore (L) in orizzontale, usando l'apposita maniglia (J) (fig. 7).
Passando dalle diverse posizioni prefissate, sentirete altrettanti "click".



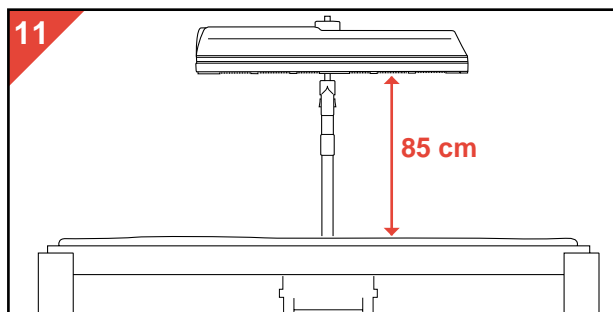
- Potete, in alternativa ai passaggi sopra descritti, eseguire un movimento combinato.
- Afferrate la maniglia (J) (fig. 8)

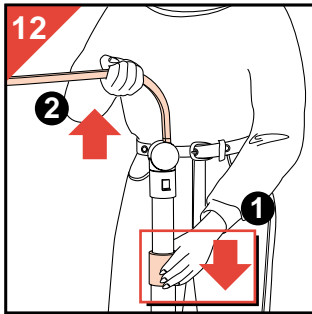


- Fate ruotare la parte superiore di un quarto di giro (fig. 9 e 10).



- Posizionate il solarium accanto al letto, come indicato nella fig. 11.

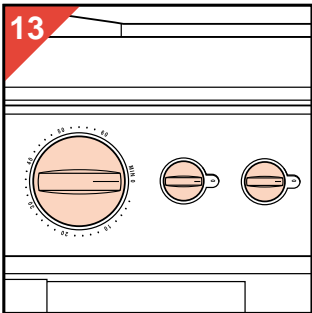




- Sbloccate la maniglia per la regolazione dell'altezza (H) facendo scivolare l'anello verso il basso. Contemporaneamente, fate scivolare il supporto (G) fino a circa 85 cm. sopra il letto (fig. 12).

Usate l'apposito misuratore della distanza di esposizione (P).

- Lasciate andare l'anello.



- Inserite la spina nella presa di corrente (220-240 V).
- Fate riferimento alla tabella fornita con queste istruzioni e ai vostri appunti personali.
- Indossate gli appositi occhialini di protezione.
- Impostate la durata dell'esposizione (fig. 13).
- Sdraiatevi sotto il solarium.
- Trascorso il tempo impostato, il solarium si spegnerà automaticamente.

NOTA: Il timer può essere impostato per un tempo massimo di 60 minuti. Se volete abbronzare i due lati del corpo uno dopo l'altro, vi consigliamo di impostare nuovamente il timer poco prima che sia trascorso il tempo fissato.

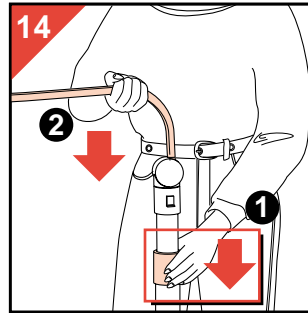
In questo modo, eviterete di dover aspettare i 3 minuti che altrimenti sarebbero necessari per permettere alle lampade di riaccendersi nuovamente.

AL TERMINE DELL'ESPOSIZIONE UV

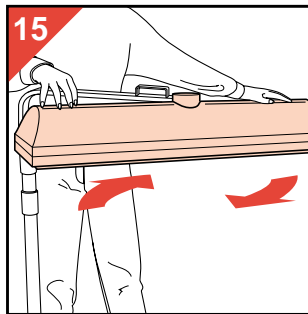
- Sullo speciale memorizzatore, potrete segnare il numero di sedute cui vi siete già sottoposti. I memorizzatori sono due e possono quindi essere utilizzati da due persone diverse.
- Lasciate raffreddare il solarium per 15 minuti prima di piegarlo e riporlo.

COME TRASPORTARE IL SOLARIUM

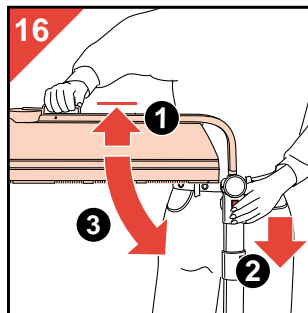
- Avvolgete il cavo di alimentazione e riponetelo nell'apposito scomparto (B). Attenzione che il cavo non rimanga bloccato quando piegate la parte superiore verso il basso.



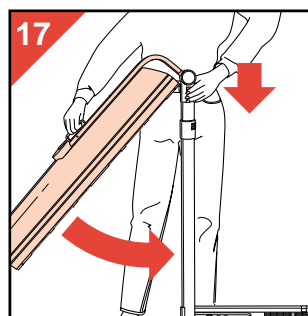
- Sbloccate il dispositivo per la regolazione dell'altezza (H) facendo scivolare l'anello verso il basso. Contemporaneamente, fate scivolare il supporto (fig. 14). Poi lasciate andare l'anello.



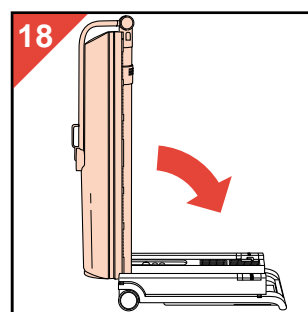
- Ruotate la parte superiore di un quarto di giro (fig. 15).



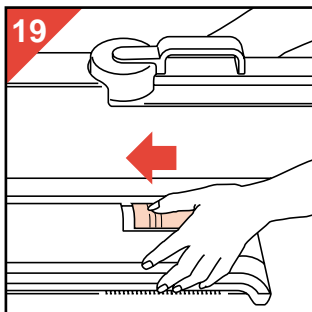
- Tenendola leggermente sollevata con una mano, sbloccate la parte superiore usando la mano libera. Per sbloccarla, fate scivolare le due linguette (I) verso il basso (fig. 16).



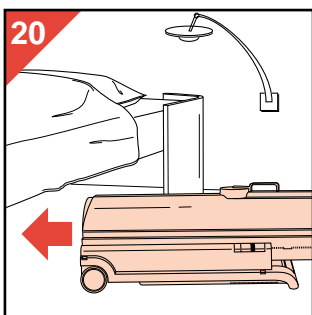
- Posizionate la parte superiore in verticale, prestando la massima attenzione (fig. 17).
- Lasciate andare le due linguette (I).



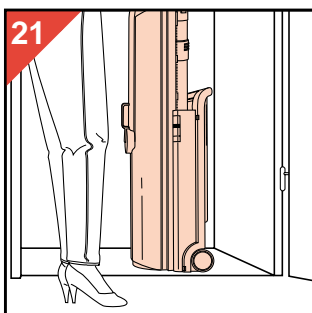
- Abbassate il supporto con la parte superiore bene appoggiata su quella inferiore (R) (fig. 18).



- Fissate la parte superiore su quella inferiore premendo le guide (F) nella direzione della freccia (fig. 19).



- Dopo averlo utilizzato, potete riporre il solarium per es. sotto il letto (fig. 20)



- oppure verticalmente in un armadio (fig. 21).

Pulizia

Staccate sempre la spina dalla presa di corrente e lasciate raffreddare il solarium prima di procedere alla pulizia.

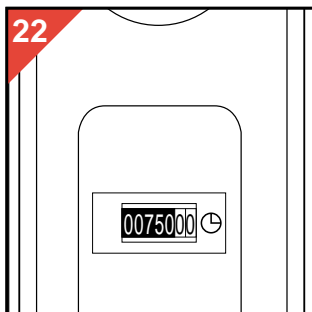
- La parte esterna del solarium può essere pulita con uno straccio umido. Fate in modo che non entri acqua all'interno dell'apparecchio. Non usate sostanze abrasive, spugnette ruvide o liquidi quali benzina o acetone.
- Il vetro filtrante UV può essere pulito con un panno morbido leggermente imbevuto di alcool.

Come sostituire le lampade e/o il vetro filtrante UV

Dopo un certo periodo di utilizzo dell'apparecchio (con un uso normale in genere dopo alcuni anni), l'efficienza delle lampade inizia a diminuire gradualmente.

In questo caso sarà necessario aumentare la durata delle sedute oppure sostituire le lampade.

Il conta-ore indica il numero totale di ore di funzionamento. In linea di massima, si consiglia di sostituire le lampade dopo 750 ore (fig. 22).



I filtri UV proteggono contro le radiazioni indesiderate: ecco perché è di fondamentale importanza sostituire immediatamente un filtro rotto o danneggiato.

Le lampade solari e i filtri UV dovranno essere sostituiti esclusivamente da personale autorizzato, in quanto in possesso dell'abilità necessaria e dei pezzi di ricambio originali.



Le lampade del solarium contengono sostanze che possono inquinare l'ambiente. Quando le gettate, assicuratevi che vengano separate dai normali rifiuti domestici e che vengano raccolte in un luogo preposto a tale scopo.

Garanzia e Assistenza

Se avete bisogno di assistenza o di ulteriori informazioni, vi preghiamo di visitare il nostro sito web: www.Philips.com oppure di contattare il Centro Assistenza Clienti Philips del vostro paese (per conoscere il numero di telefono, vedere l'opuscolo della garanzia). Qualora nel vostro paese non ci fosse un Centro Assistenza Clienti, rivolgetevi al rivenditore autorizzato Philips oppure contattate il Service Department of Philips Domestic Appliances and Personal Care BV.

IL SOLARIUM NON FUNZIONA COME DOVREBBE?

Nel caso in cui il solarium non dovesse funzionare come da voi richiesto, non esitate a contattare il vostro rivenditore o un Centro di Assistenza Philips autorizzato.

Tuttavia, è anche possibile che l'apparecchio non sia stato installato secondo le istruzioni o venga usato in modo improprio. In questo caso, potrete risolvere il problema da soli e rapidamente.

Controllate i seguenti punti prima di contattare il vostro rivenditore o il Centro di Assistenza Philips autorizzato.

Problema

- Il solarium non si accende
- Il fusibile spegne l'interruttore quando accendete il solarium o durante l'uso
- L'abbronzatura non è esattamente quella che vi aspettavate

Possibile causa

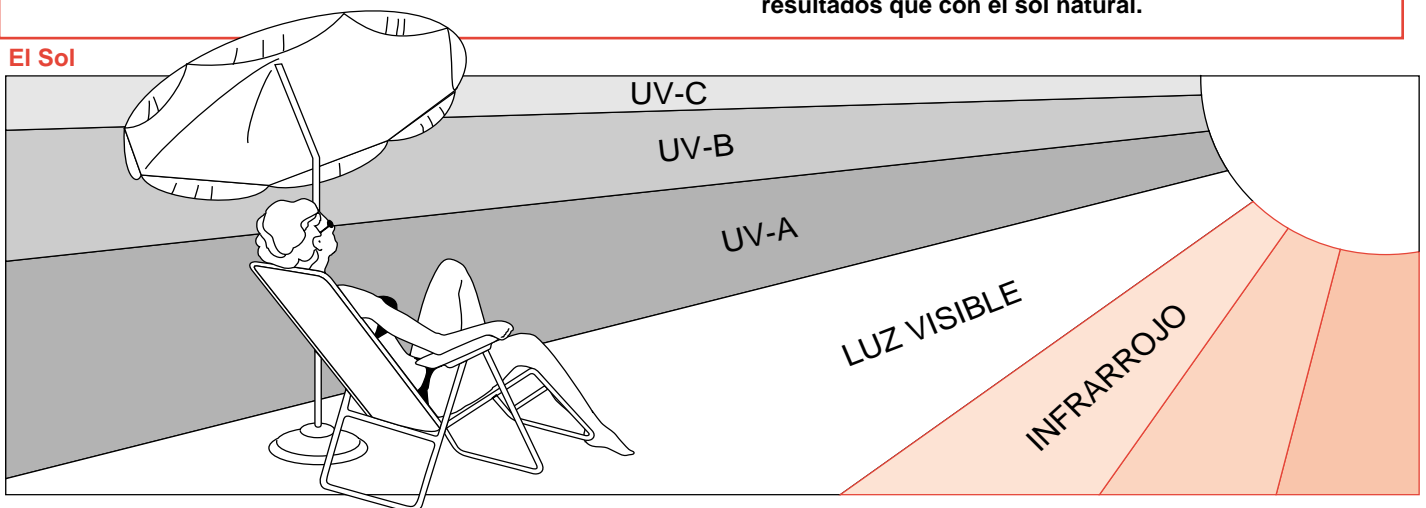
- L'apparecchio non è stato posizionato in modo corretto
- Non avete inserito la spina nella presa di corrente
- Non c'è elettricità (Controllate gli altri apparecchi elettrici)
- Le lampade sono ancora troppo calde perché si riaccendano (lasciatele raffreddare per almeno 3 minuti)
- La ventilazione era insufficiente e il dispositivo automatico di regolazione termica ha spento l'apparecchio. Eliminate la causa del surriscaldamento (ad es. l'asciugamano blocca le aperture di ventilazione) e attendete 10 minuti prima di riaccendere nuovamente l'apparecchio.
- Controllate che il fusibile sia del tipo adatto per il vostro solarium, cioè un normale fusibile 13A o 16A oppure un fusibile automatico a reazione ritardata.
- Il ciclo prescelto non è adatto al vostro tipo di pelle.
- La distanza fra la pelle e il solarium è maggiore di quella consigliata.
- Dopo un uso prolungato, le lampade producono un minor numero di raggi UV (con un uso normale dell'apparecchio questo si verificherà dopo qualche anno). Potete compensare questo effetto prolungando la durata delle sedute oppure sostituendo le lampade.
- Usate una prolunga troppo lunga e/o che non permette il regolare passaggio di corrente. Rivolgetevi al vostro rivenditore di fiducia.

Importante

- Antes de enchufar el aparato a la red, comprueben si la tensión indicada en la placa de características se corresponde con la existente en su hogar.
- ¡ El agua y la electricidad son una combinación peligrosa !
No utilicen, pues, el aparato en ambientes húmedos (cuartos de baño, duchas o junto a una piscina).
- Si han estado nadando o acaban de darse una ducha, séquense a fondo antes de usar este aparato.
- Cuiden de que los niños no puedan jugar con el Solarium. Como precaución, desenchufen el aparato de la red después del uso.
- Dejen que el Solarium primero se enfríe (+/- 15 minutos) antes de cerrarlo y almacenarlo.
- Muevan el Solarium solo cuando esté plegado (fig. 2).
- Cuando usen el Solarium, mantengan libres de toda obstrucción las aberturas de ventilación de la parte superior y de la parte inferior.
- Este Solarium está provisto de un dispositivo automático de seguridad térmica. En caso de insuficiente enfriamiento (por ejemplo, cuando estén bloqueadas las aberturas de ventilación), el dispositivo de seguridad desconectará automáticamente el Solarium.
Una vez haya sido eliminada la causa del sobrecalentamiento y el Solarium se haya enfriado suficientemente, se pondrá automáticamente en marcha.
- No sobrepasen los tiempos recomendados para cada sesión ni la cantidad máxima de "horas de bronceado" (Ver la sección " Sesiones de UV : ¿ Cuantas y de qué duración ? ").
- No seleccionen una distancia operacional menor que la aconsejada de 65 cm.

- No traten cada parte o lado del cuerpo más de una vez al día. Eviten la exposición intensiva de la piel a la luz solar natural el mismo día en que hayan tomado una sesión de UV.
- Si presentan cualesquiera síntomas de enfermedad, si están tomando alguna medicación y / o aplicándose cosméticos que incrementen la sensibilidad de la piel, no deben seguir ningún tratamiento de UV.
Un cuidado especial también es necesario en los casos de una pronunciada sensibilidad individual a los ultravioletas.
En caso de duda, consulten a su médico.
- Un Solarium no debe ser usado por personas que se queman sin broncearse al exponerse al sol, por personas que sufren quemaduras solares, por los niños o por personas que sufren (o que han sufrido anteriormente) cáncer de piel o que están predispuestas al cáncer de piel.
- Consulten a su médico en el caso de que les aparezcan úlceras, lunares o bultos persistentes en la piel.
- Cuando se bronceen, usen siempre las gafas protectoras para evitar exponer los ojos a dosis excesivas de ultravioletas, luz visible o infrarrojos (Consulten también la sección : "Los UVA y su salud ").
- Antes de una sesión de UV, quítense las cremas, barra de labios y cualesquiera otros cosméticos.
- No usen lociones y / o cremas protectoras.
- No usen lociones y / o cremas bronceadoras .
- Si notan que tienen la piel reseca después de una sesión de bronceado, pueden aplicarse una crema hidratante.
- No usen nunca el solarium si el filtro de los UV está roto o quitado o si el temporizador está estropeado.
- El filtro de los UV se calienta mucho durante las sesiones de bronceado. Eviten tocarlo.
- Los colores se atenúan bajo la influencia del sol y lo mismo puede ocurrir al usar este aparato.
- Con el Solarium, no esperen conseguir mejores resultados que con el sol natural.

El Sol



El sol es la fuente de energía de la cual depende la vida terrestre.

Hay varias clases de energía solar : La luz solar nos permite ver, sentimos el calor de la luz solar en nuestra piel y, bajo la influencia del sol, nuestra piel se broncea. Estos tres efectos se deben a otros tantos componentes específicos del espectro de radiación del sol, cada uno de los cuales tiene sus propias longitudes de onda.

El sol irradia vibraciones electromagnéticas con diferentes longitudes de onda. Las longitudes de onda correspondientes a los rayos caloríficos o infrarrojos (IR) son más largas que las de la luz visible.

Y las de los ultravioleta (UV), que nos broncean la piel, son más cortas.

La ciencia ha conseguido reproducir estas tres clases de radiaciones solares : Calor (por ejemplo, Infraphil), luz (lámparas) y UV (solariums, camas solares, etc.).

UV-A, UV-B y UV-C

Los ultravioleta (UV) se subdividen en UV-A (los de mayor longitud de onda), UV-B y UV-C (los de menor longitud de onda). Los UV-C raramente llegan a la superficie de la tierra ya que son filtrados por la atmósfera. Los UV-A y los UV-B son los causantes del efecto de bronceado en la piel.

De hecho, son dos los procesos que, actuando conjuntamente, producen el bronceado :

- **Bronceado indirecto** . Los UV-B estimulan primordialmente la producción de una substancia llamada Melanina, necesaria para el bronceado. El efecto no aparece hasta un par de días después del baño de sol.
- **Bronceado directo** . Los UV-A, y también una parte de la luz visible, ocasionan un moreno más rápido, sin enrojecimientos ni quemaduras.

El Solarium

Este Solarium emite, predominantemente, UV-A y también una muy pequeña cantidad de UV-B.

Tiene varias importantes características que hacen que el bronceado en casa resulte confortable y cómodo.

El tipo único de lámpara solar usada en este Solarium emite **luz, calor y ultravioleta**, al igual que el sol natural.

Podrán colocarlo de forma que el usarlo sea, en realidad, como estar tumbado al sol, con lo que todo su cuerpo se bronceará, de modo uniforme, de la cabeza a los pies. Para su comodidad, a la vez que para impedir indeseables exposiciones prolongadas (por ejemplo, por quedarse dormido) se ha incorporado un disyuntor automático, controlado por un temporizador, que desconecta el aparato después de 60 minutos de bronceado.

¡ Al igual que sucede con el sol natural, es una sabia medida no tomar mucho de lo bueno ! (Ver la sección "Los UV y su salud").

Los UV y su salud

Después de una exposición excesiva a los ultravioleta (ya sean del sol natural o de su Solarium), en la piel pueden producirse quemaduras solares.

Además de otros muchos factores, tales como una exposición excesiva al sol natural, el uso impropio y excesivo de su Solarium aumentará el riesgo de enfermedades cutáneas y oculares.

La naturaleza, intensidad y duración de la radiación, por un lado, y la sensibilidad de cada uno, por otro, son decisivas en el grado en que pueden darse esos efectos.

Cuanto más la piel y los ojos estén expuestos a los UV, más se incrementa el riesgo de enfermedades tales como inflamación de la córnea y / o conjuntivitis, daños en la retina, cataratas, envejecimiento prematuro de la piel y tumores cutáneos.

Ciertas medicinas y cosméticos aumentan la sensibilidad a los UV.

Por ello, es de la mayor importancia :

- Que sigan las instrucciones dadas en las secciones "Importante" y "Sesiones de UV : ¿ Cuántas y de qué duración".
- Que observen la mínima distancia operacional recomendada de 65 cm.
- Que no excedan la cantidad máxima admisible de horas de bronceado anuales (Es decir, 21 horas o 1.560 minutos).
- Que, al broncearse, se usen siempre las gafas protectoras que se suministran.

Sesiones de UV : ¿ Cuántas y de qué duración ?

Pueden tomar **una sesión de UV al día**, durante un período de **cinco a diez días**. Dejen, al menos, 48 horas entre las dos primeras sesiones.

Después de uno de esos tratamientos, conviene dejar que la piel descanse una temporada.

Aproximadamente **un mes** después de un tratamiento, su piel habrá perdido mucho del bronceado, pudiendo entonces decidirse a empezar un nuevo tratamiento.

Por otra parte, y a fin de **mantener el bronceado**, también pueden tomarse **una o dos sesiones semanales de UV** después de haber seguido un tratamiento.

Sea lo que sea lo que prefieran, asegúrense de que **no exceden la cantidad máxima de horas de bronceado**.

Con este Solarium, el máximo es de **21 horas (= 1.560 minutos)** anuales.

Ejemplo :

Supongamos que siguen un tratamiento de UV de **10 días**, con una sesión de **8 minutos el primer día** y sesiones de **20 minutos en los nueve días siguientes**.

Todo el tratamiento constará pues de (1 x 8 minutos) + (9 x 20 minutos) = **188 minutos**.

Durante el año, pueden tomar **seis de esos tratamientos** (Ya que 6 x 188 minutos = 1.410 minutos).

Lógicamente, esta cantidad máxima de 21 horas (= 1.560 minutos) de bronceado es válida para **cada parte del cuerpo tratada separadamente** (Por ejemplo, la parte delantera de su cuerpo o la espalda).

En la tabla puede verse que **la primera sesión de un tratamiento debe tener una duración de 8 minutos**, independientemente de la sensibilidad de la piel.

Duración del tratamiento UV (para cada lado del cuerpo tratado por separado) en minutos.	día 1º	reposo de 48 horas, como mínimo	día 2º	día 3º	día 4º	día 5º	día 6º	día 7º	día 8º	día 9º	día 10º	
- para personas de piel muy sensible:	8		10	10	10	10	10	10	10	10	10	10
- para personas de piel normal:	8		20-25	20-25	20-25	20-25	20-25	20-25	20-25	20-25	20-25	20-25
- para personas de piel poco sensible:	8		30*)	30*)	30*)	30*)	30*)	30*)	30*)	30*)	30*)	30*)

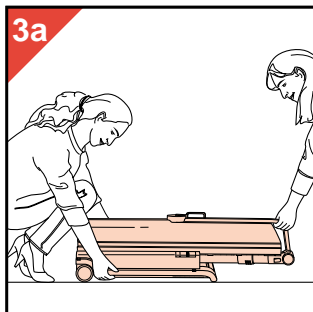
*) o más largas, según la sensibilidad de la piel.

- Si creen que las sesiones son demasiado largas para ustedes (por ejemplo, si notan que la piel les queda tirante y tierna después de la sesión) les recomendamos que reduzcan, por ejemplo en 5 minutos, la duración de las sesiones, por cada lado del cuerpo.

- Para conseguir un bronceado bonito y uniforme, les sugerimos que vayan girando ligeramente durante la sesión, de modo que las partes de su cuerpo queden mejor expuestas a los rayos bronceadores.

Descripción general (fig. 1, pág. 3)

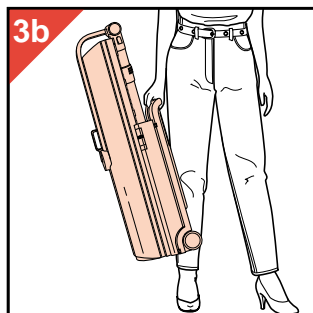
- A** Ruedas
- B** Cable de red en el compartimiento de almacenamiento
- C** Empuñadura
- D** Temporizador
- E** Memorizadores (para 2 personas)
- F** Cierres deslizantes
- G** Pedestal
- H** Fijación del ajuste de altura (para desenclavar, deslicen el aro hacia abajo)
- I** Fijación de la parte superior (para desenclavar, presionen los dos salientes hacia abajo)
- J** Empuñadura
- K** Ventilador (enfriamiento)
- L** Parte superior
- M** Filtro de cristal de los UV
- N** Lámparas solares (tipo Philips HPA 400 - 500)
- O** Reflector
- P** Cinta de medida
- Q** Gafas protectoras (2)
(Tipo HB 072 / N^o de Servicio : 4822 690 80147 (representadas) o tipo HB 071 / N^o de Servicio : 4822 690 80123 (no representadas))
- R** Parte inferior
- S** Placa de características
- T** Contador horario



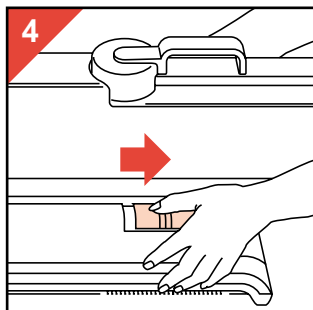
Para dejar el Solarium listo para su uso

En la "posición de transporte", su Solarium está sobre las ruedas, con lo cual pueden moverlo fácilmente y guardarlo.

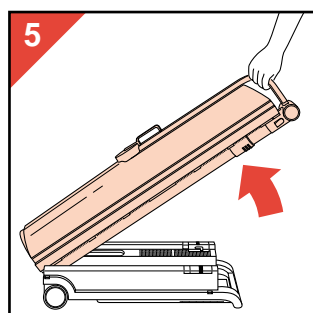
- Es fácil levantarlo entre dos personas (fig. 3a).



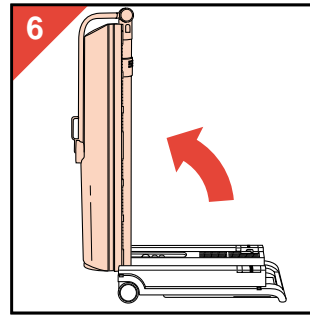
Si deben levantar el Solarium por si mismos, es aconsejable usar la empuñadura (C)(fig. 3b).
Nota : El aparato pesa más de 28 kg.



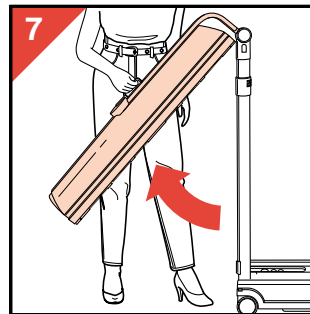
- Presionando los cierres deslizantes (F) en la dirección de la flecha (fig. 4), separen la parte superior (L) de la parte inferior (R).



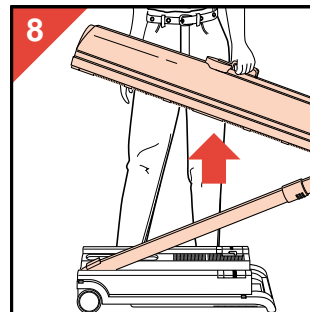
- Estiren, hacia arriba, del pedestal (G) y de la parte superior (L) (fig. 5).



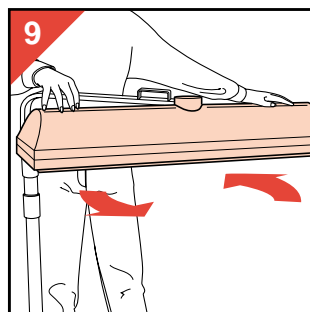
- Pongan el Solarium en la posición mostrada en la fig. 6.



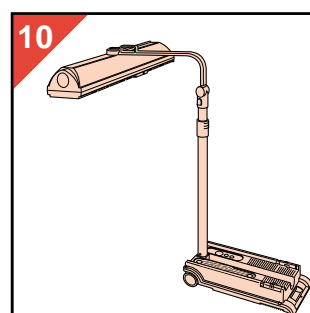
- Usando la empuñadura (J), coloquen horizontalmente la parte superior (L) (fig. 7). Oirán "clicks" al pasar por las distintas posiciones de fijación.



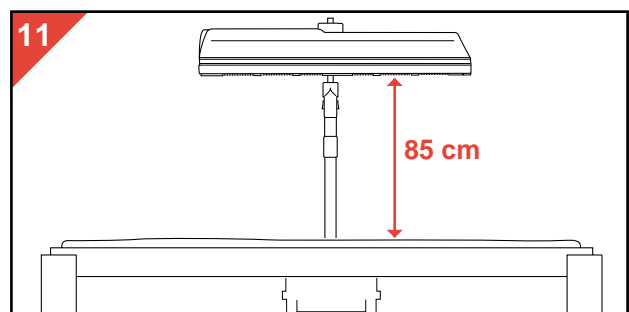
- En lugar del método paso a paso descrito hasta aquí, pueden usar un movimiento combinado. Mantengan cogida la empuñadura (J) (fig. 8).

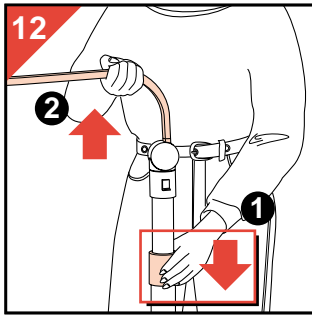


- Hagan girar un cuarto de vuelta la parte superior (figs. 9 y 10).



- Coloquen el Solarium junto a la cama tal como se muestra en la fig. 11.

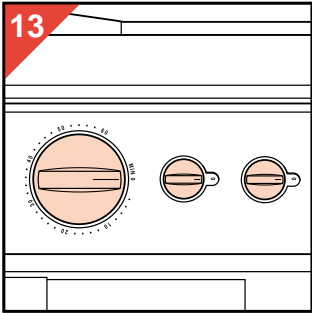




- Desenclaven la fijación del ajuste de altura (H), haciendo deslizar el aro hacia abajo. Simultáneamente, deslicen el pedestal (G) hasta que hayan, aproximadamente, 85 cm sobre la cama. Usen la cinta de medida (P).
- Suelten el aro.

Ajuste del temporizador

- Enchufen el aparato a la red (220 - 240 V).
 - Usen la tabla de este modo de empleo y sus notas personales
 - Colóquense las gafas protectoras suministradas.
 - Ajusten el temporizador al tiempo de sesión requerido (fig. 13).
 - Colóquense bajo el Solarium.
 - Una vez haya transcurrido el tiempo ajustado, el Solarium se desconectará automáticamente.



Nota : El temporizador puede ser ajustado a un máximo de 60 minutos.

Si desean tratar ambos lados de su cuerpo, directamente uno después de otro, es aconsejable reajustar el temporizador justo antes de que haya transcurrido el tiempo ajustado.

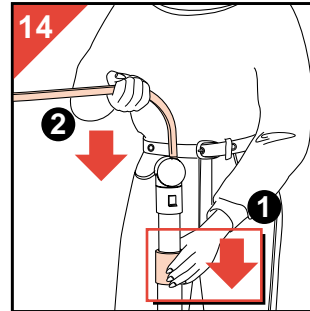
Haciéndolo así, evitara un período de espera, de al menos, 3 minutos (que de otro modo sería necesario) antes de que las lámparas se enciendan de nuevo.

Después de la sesión de bronceado UV

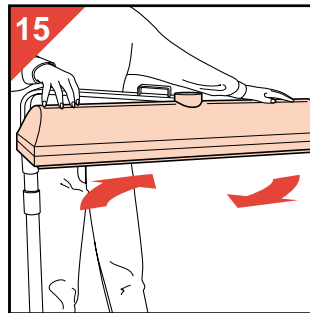
- En uno de los memorizadores de sesiones pueden anotar cuantos sesiones han tomado. Hay dos de esos memorizadores, para dos usuarios.
- Dejen que el Solarium se enfríe durante 15 minutos antes de plegarlo y almacenarlo.

Como hacer transportable su Solarium

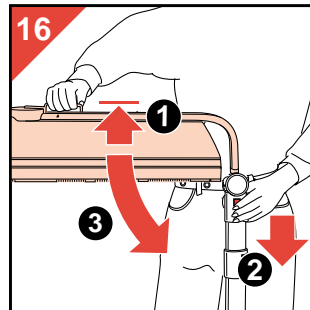
- Enrollen el cable de red y guárdenlo en el compartimiento de almacenaje (B). Tengan el cuidado de asegurarse de que no queda atrapado cuando la parte superior es doblada hacia abajo.



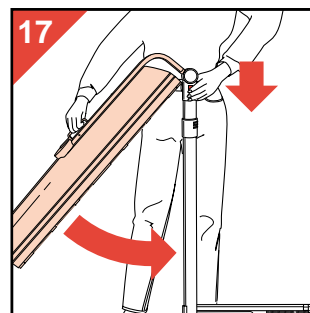
- Liberen el fijador del ajuste de la altura (H) deslizando el aro hacia abajo. Simultáneamente, deslicenlo en el pedestal. (fig. 14). Liberen entonces el aro.



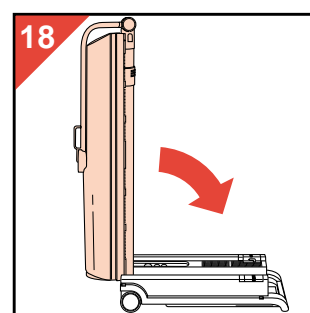
- Giren un cuarto de vuelta la parte superior (fig. 15).



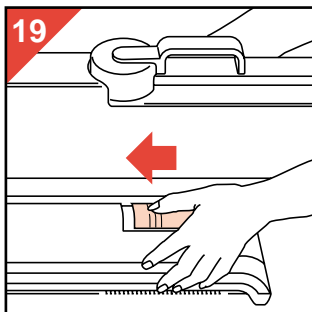
- Mientras con una mano alzan un poco la parte superior, desenclávenla con la otra mano. Para desenclavarla, hagan deslizar los dos salientes (I) hacia abajo (fig. 16).



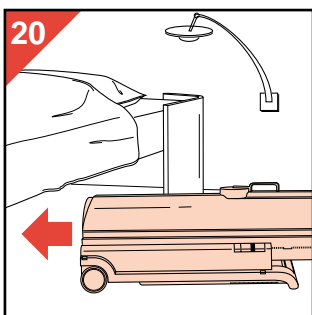
- Con cuidado, dejen que la parte superior se coloque en posición vertical (fig. 17).
- Suelten los dos rebordes (I).



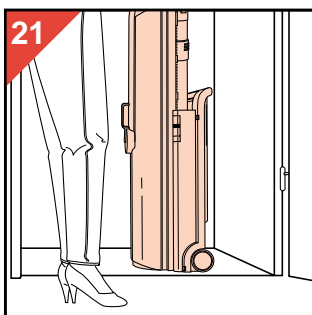
- Abatan con cuidado el pedestal con la parte superior sobre la parte inferior (R)(fig. 18).



- Fijen la parte superior sobre la inferior, empujando los cierres deslizantes (F) en la dirección de la flecha (fig. 19).



- Después del uso, pueden, por ejemplo, deslizar el Solarium debajo de una cama (fig. 20)



o colocarlo en posición vertical dentro de un armario (fig. 21).

Hagan sustituir las lámparas infrarrojas cuando dejen de funcionar. Los filtros UV les protegen contra las radiaciones no deseadas. Por ello es importante que un filtro defectuoso o deteriorado sea cambiado inmediatamente.

Hagan que la sustitución de las lámparas y de los filtros UV solo la lleve a cabo personal de servicio autorizado, ya que solo ellos disponen de la habilidad y de las herramientas necesarias para ejecutar esa tarea y disponen de piezas de recambio originales.



Las lámparas de los Solariums contienen sustancias que pueden polucionar el Medio Ambiente. Cuando desechen las lámparas, asegúrense de que estén separadas de la basura normal del hogar y de que son depositadas en un lugar oficialmente designado para ello.

Información y Servicio

Si necesitan servicio o información, o si tienen algún problema, visiten la página Web de Philips en www.philips.com, o contacten con el Servicio Philips de Atención al Cliente de su país (encontrarán el número de teléfono en el folleto de Garantía Mundial). Si en su país no hay Servicio Philips de Atención al Cliente, consulten a su distribuidor local Philips o contacten con el Service Department of Philips Domestic Appliances and Personal Care BV.

Limpieza

Desenchufen siempre el Solarium de la red y dejen que se enfríe antes de limpiarlo.

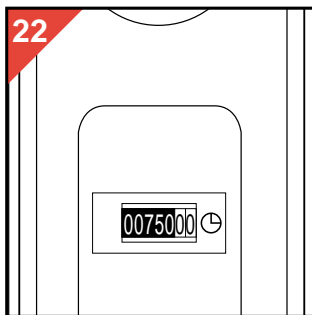
- Pueden limpiar el exterior del Solarium con un paño húmedo. Asegúrense de que no entra agua en el aparato.
- No usen abrasivos, desengrasadores o líquidos tales como petróleo o acetona.
- Pueden limpiar el filtro de cristal de los UV con aguarrás rociado en un paño suave.

Sustitución de las lámparas solares y / o el filtro UV

Con el paso del tiempo (al cabo de varios años con un uso familiar normal) la eficiencia de las lámparas decrecerá gradualmente.

Si eso sucede, pueden aumentar la duración de las sesiones de bronceado o sustituir las lámparas.

El contador horario (T) les indicará el tiempo total de funcionamiento.



En general, es aconsejable sustituir las lámparas después de 750 horas (fig. 22).

¿ El Solarium no funciona como es requerido ?

Si el Solarium no funciona como es requerido, puede ser debido a un defecto. En ese caso no dude en acudir a su vendedor o al Centro de Servicio Philips.

No obstante, también es posible que el aparato no haya sido instalado de acuerdo a las instrucciones o que no sea usado correctamente.

En este caso, podrán solucionar el problema inmediatamente.

Pueden consultar la siguiente sección antes de contactar con su vendedor o con el Centro de Servicio Philips.

Problema

- El solarium no se activa.
- El fusible de red interrumpe la corriente al encender o estando en marcha el aparato.
- El bronceado no responde a sus esperanzas.

Causa posible

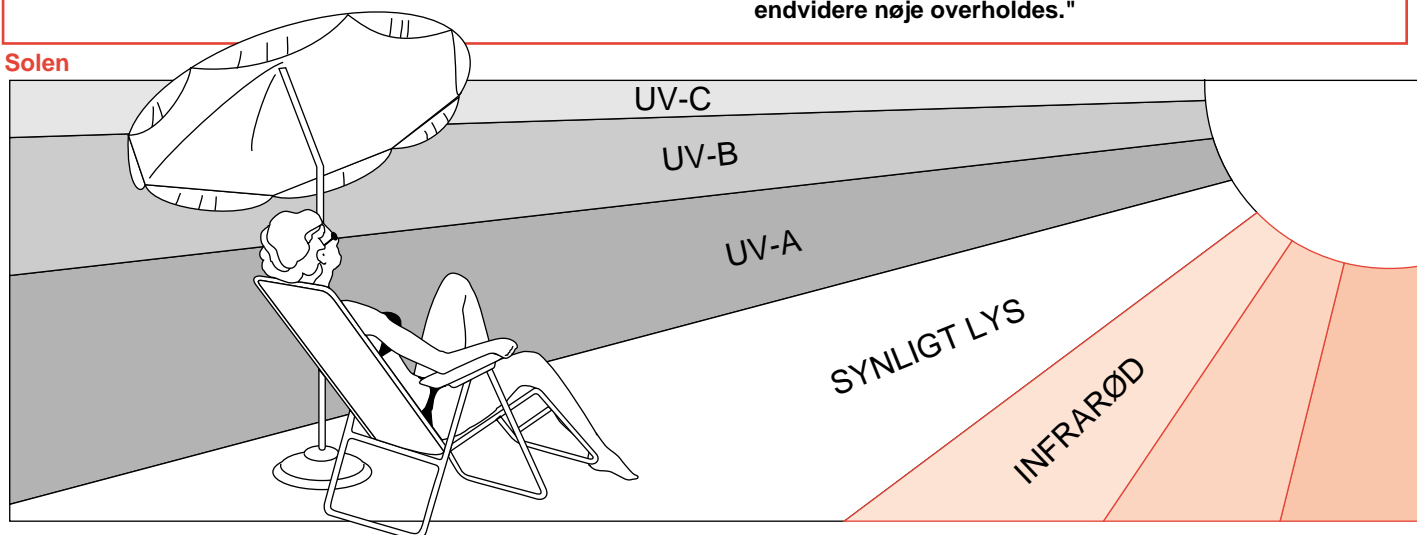
- El aparato no está correctamente instalado para su empleo.
- La clavija no está enchufada en la toma de corriente.
- No hay corriente (compruébenlo con otro aparato).
- Las lámparas tienen que enfriarse aún para poder volver a encenderse. (Dejen que se enfríen durante unos 3 minutos.)
- La ventilación era insuficiente y ha saltado el disyuntor térmico. Supriman la causa del sobrecalentamiento (miren si hay algo que obstruya los orificios de ventilación) y esperen unos 10 minutos antes de volver a ponerlo en marcha.
- Comprueben el fusible de la sección a que se ha enchufado.
El tipo correcto es de 13 a 16 A, normal o de fusión lenta, automático.
- Han seguido un tratamiento que no es el adecuado para el tipo de su piel.
- La distancia operativa es mayor que la indicada.
- Después de haberse usado mucho tiempo, la producción de UV de las lámparas disminuye. (Con un uso normal, esto no será apreciable durante varios años.)
Este efecto podrán compensarlo eligiendo tiempos de tratamiento más largos o sustituyendo las lámparas.
- Están usando un cordón de prolongación que es demasiado largo o no permite los niveles de potencia necesarios.
En general, les aconsejamos **no usar un cable prolongador**.
Consulten al distribuidor.

Vigtigt.

- Før der slutes strøm til apparatet kontrolleres det, at spændingsangivelsen på typeskiltet svarer til den lokale netspænding.
- Vand og elektricitet er en farlig kombination! - Brug derfor aldrig apparatet på fugtige steder (f.eks. på badeværelset, i en brusekabine eller i umiddelbar nærhed af en swimmingpool).
- Efter en svømmetur eller et brusebad skal man tørre sig grundigt, før man bruger solarieret.
- Sørg for, at børn ikke kan komme til at lege med solarieret. Tag for en sikkerheds skyld altid stikket ud af stikkontakten, når apparatet ikke anvendes.
- Solarieret skal afkøles (ca. 15 min.), før det lukkes sammen og stilles til side.
- Solarieret må kun transporteres i sammenklappet tilstand (fig. 2).
- Når solarieret anvendes, skal der være fri luftpassage til ventilationshullerne i solarierets overdel og nederste del.
- Solarieret er udstyret med en automatisk, termisk sikkerhedsafbryder. Hvis afkølingen er utilstrækkelig (f.eks. hvis ventilationshullerne er blokerede), vil sikkerhedsafbryderen automatisk slukke solarieret. Når årsagen til overophedningen er fjernet, og solarieret er tilstrækkeligt afkølet, tænder solarieret automatisk igen.
- De anbefalede behandlingstider og det maksimale antal "solbruningstimer" må aldrig overskrides. (Se afsnittet "UV- behandlinger: Hvor ofte og hvor længe?").
- Sørg for at overholde den anbefalede behandlingsafstand på 65 cm.
- Hver side eller del af kroppen må kun bestråles én gang om dagen. Huden må ikke udsættes for kraftig påvirkning af naturligt sollys samme dag, som UV-behandling har fundet sted.

- Hvis man har sygdomssymptomer af nogen art, er i medicinsk behandling og/eller bruger kosmetiske midler, som øger hudens følsomhed, bør man ikke modtage UV-behandling. Man skal også passe ekstra på, hvis man er overfølsom for sol (ultraviolette stråler). I tvivlstilfælde bør man konsultere sin læge.
 - Solarieret må aldrig benyttes af personer, der bliver forbrændt af solen uden at blive brune, af personer der let bliver solskoldede, af børn, eller af personer der lider - eller har lidt - af hudkræft, eller som er disponerede for hudkræft.
 - Konsultér Deres læge, hvis der opstår sårddannelser, pletter eller vedvarende hævelser på huden.
 - Benyt altid de medfølgende beskyttelsesbriller under behandlingen for at beskytte øjnene mod for store doser ultra-violet og synligt lys samt infrarøde stråler (se nærmere i afsnittet "UV og din sundhed").
 - Fjern creme, læbestift og andre kosmetiske midler før UV-behandling.
 - Undlad at bruge sololie eller solcreme.
 - Hvis huden føles tør efter behandlingen, anbefales det at benytte en fugtighedscreme.
 - Brug aldrig solarieret hvis UV filterglasset er beskadiget eller fjernet, eller hvis tidsuret er defekt.
 - UV filterglasset bliver meget varmt under solbehandlingen, så undgå berøring.
 - Farver kan bleges ved den naturlige sols påvirkning, hvilket også kan ske ved anvendelse af solarieret.
 - Man skal ikke forvente at opnå bedre resultater ved brug af solarieret end ved naturlig solbadning.
- OBS! I henhold til "Vejledende retningslinier for markedsføring af UV-bestrålingsapparater (UV-sole og UV-solarier)", udstedt af Forbrugerombudsmanden, skal vi orientere om følgende: "Der har i en lang årrække været foretaget videnskabelige studier af lyset fra solen. Herigennem er påvist en vis sammenhæng mellem langvarig bestråling med UV-stråler og forekomsten af alvorlige hudskader. Ligeledes er en ændring af hudens elasticitet konstateret. Der må derfor advares mod overdreven udsættelse for UV-stråling. Den i vejledningen angivne brugsafstand, bestrålingshyppighed og maksimale bestrålingstid bør endvidere nøje overholdes."

Solen



Alt liv på jorden afhænger af solen som energikilde. Der findes forskellige former for solenergi: Sollyset som gør det muligt for os at se, varmen fra sollyset som føles på huden og endelig bliver huden brun, når den påvirkes af sollyset. Disse tre virkninger skyldes tre specifikke bestanddele i solstrålespektret, og hver af disse bestanddele har sit eget frekvensområde.

Solen udsender elektromagnetiske svingninger med forskellige bølgelængder. Bølgelængden for varmestråler eller "infrarøde" stråler (IR) er længere end bølgelængden for det synlige lys. Bølgelængden for det "ultraviolette" lys (UV), som bruner huden, er kortere end disse. Ad videnskabelig vej er det lykkedes at reproducere disse tre former for solstråling: Varme (f.eks. infraphil), lys (lamper) og UV-stråler (solarier, solbænke o.lign.).

UV-A, UV-B og UV-C.

Ultraviolette stråler er opdelt i UV-A (længste bølgelængde), UV-B og UV-C (korteste bølgelængde). UV-C strålerne når sjældent frem til jorden, da de standses af jordens atmosfære. Det er UV-A og UV-B strålerne, som bruner huden.

Der er i virkeligheden to processer, som bruner huden, og de er effektive samtidig:

- **"Indirekte bruning"**. UV-B stråler stimulerer først og fremmest hudens produktion af stoffet "Melanin", som er nødvendigt for, at huden bliver brun. Virkningen ses først et par dage efter solbadet.
- **"Direkte bruning"**. UV-A stråler såvel som en del af det synlige lys giver en hurtigere bruning, uden at huden bliver rød eller "forbrændt".

Solariet.

Dette solarie udsender hovedsageligt UV-A stråler samt en lille mængde UV-B stråler, hvilket betyder, at man hjemme opnår en brun hud på en nem og behagelig måde.

Den unikke type sollampe, som anvendes i dette solarie, udsender **lys, varme og ultra-violette stråler** lige som den naturlige sol. Man kan placere solariet, så det svarer til, at man ligger ude i solen, idet hele kroppen brunes jævnt fra top til tå.

For at gøre det så bekvemt som muligt og samtidig undgå at man ved en fejltagelse bliver udsat for bestråling for længe (f.eks. hvis man falder i søvn), er der indbygget et tidsur, som automatisk slukker solariet efter 60 minutter.

På samme måde som med naturligt solskin er det ikke sundt med for lang tids bestråling (se afsnittet "UV og din sundhed").

UV og din sundhed.

Efter overdreven udsættelse for ultraviolet bestråling (fra den naturlige sol eller ved brug af solarie) kan huden blive forbrændt.

Flere faktorer, bl.a. overdreven soldyrkelse samt forkert eller overdreven brug af solarier vil forøge risikoen for hud- og øjensygdomme.

Hvor store skadelige virkninger, der kan opstå, afhænger dels af bestrålingens karakter, styrke og varighed og dels af den pågældende persons følsomhed.

Jo længere tid hud og øjne udsættes for UV-bestråling, desto større risiko er der for sygdomme som hornhinde- og/eller bindehindebetændelse, beskadigelse af nethinden, grå stær, rynket hud og hudkræft.

Visse former for medicin og kosmetik øger følsomheden overfor UV bestråling.

Der er derfor særdeles vigtigt

- at man følger anvisningerne i afsnittene "Vigtigt" og "UV-behandling: Hvor ofte og hvor længe?";
- at man overholder den anbefalede strålingsafstand på min. 65 cm;
- at man ikke overskrider det maksimale antal årlige behandlingstimer (d.v.s. 21 timer = 1260 minutter);
- at man altid bruger de medfølgende beskyttelsesbriller, når solariet anvendes.

UV-behandlinger: Hvor ofte og hvor længe ?

Man kan tage **én UV-behandling om dagen** i en periode på **fem til 10 dage**. Lad der gå mindst 48 timer mellem 1. og 2. behandling.

Derefter skal huden have en pause.

Ca. **1 måned** efter en serie behandlinger har huden mistet meget af sin solbrunhed, og man kan påbegynde en ny serie behandlinger.

Man kan imidlertid også vælge at tage **én eller to UV-behandlinger om ugen** i umiddelbar fortsættelse af en serie for at **holde farven** ved lige.

Men uanset hvad man foretrækker, skal man **undgå at overkride det maksimalt anbefalede antal årlige solbruningstimer**. For dette solarium er det maksimum **21 timer** (= 1260 minutter) om året.

Eksempel:

De tager en 10-dages UV-serie med **8 minutters behandling den første dag og 20 minutter de følgende 9 dage**.

Hele serien omfatter således **188 minutter** (1 x 8 plus 9 x 20 minutter).

De kan således i løbet af et år tage **6 af disse serier** (6 x 188 minutter = 1128 minutter).

Det maksimale antal solbrunings-minutter gælder naturligvis for **hver enkelt del eller side af kroppen** (f.eks. for- eller bagside af kroppen).

Som det fremgår af tabellen, må den **første behandling i en serie ikke vare længere end 8 minutter** uanset hudens følsomhed.

UV-behandlingens varighed (for hver enkelt behandlet del af kroppen) i minutter	1. behandling	pause på mindst 48 timer		2. behandling	3. behandling	4. behandling	5. behandling	6. behandling	7. behandling	8. behandling	9. behandling	10. behandling
- for personer med meget følsom hud:	8			10	10	10	10	10	10	10	10	10
- for personer med normal følsom hud:	8			20-25	20-25	20-25	20-25	20-25	20-25	20-25	20-25	20-25
- for personer med mindre følsom hud:	8			30*)	30*)	30*)	30*)	30*)	30*)	30*)	30*)	30*)

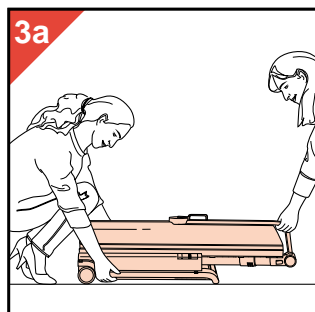
*) eller længere, afhængigt af hudens følsomhed.

- Hvis man synes, at behandlingerne er for lange (f.eks. hvis huden bliver stram og øm efter behandlingen), tilrådes det at afkorte behandlingerne med 5 minutter for hver side af kroppen.

- For at blive smukt brun over det hele, anbefales det, at man vender sig lidt under behandlingen, så alle sider af kroppen bliver jævnt bestrålet.

Generel beskrivelse (fig. 1, side 3).

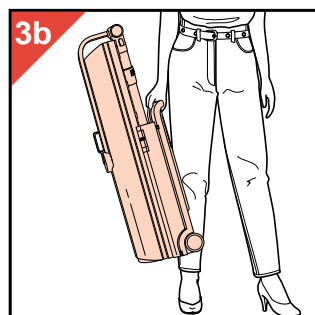
- A** Hjul
- B** Netledning i opbevaringsrum
- C** Håndtag
- D** Tidsur
- E** Hukommelsesknapper (til to personer)
- F** Skydepaler
- G** Stativ
- H** Lås til højdeindstilling
(låses op ved at skyde stopringen nedad)
- I** Lås til overdel
(låses op ved at trykke de to tappe nedad)
- J** Håndtag
- K** Ventilator (til afkøling)
- L** Overdel
- M** UV filterglas
- N** Lamper (Philips HPA 400 - 500)
- O** Reflektor
- P** Afstandsmåler
- Q** Beskyttelsesbriller (2 x)
(typenr. HB 072/servicentr. 4822 690 80147 (vist) eller typenr. HB 071/servicentr. 4822 690 80123 (ikke vist))
- R** Underdel
- S** Typeskilt
- T** Timetæller



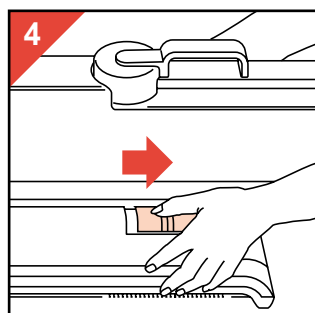
Sådan gøres solariet klar til brug.

I "transport-stilling" har solariet hjul, så det er meget nemt at flytte og opbevare.

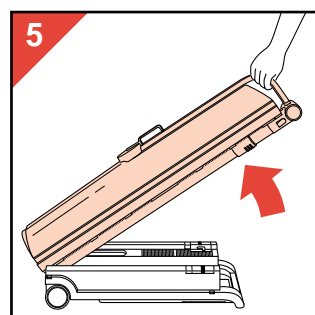
- Det er nemmere at løfte solariet, hvis man er to om det (fig. 3a).



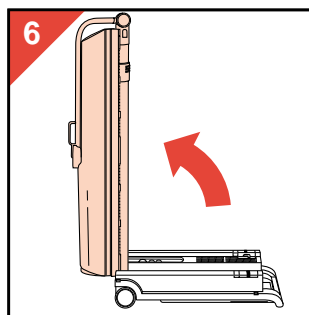
Hvis solariet løftes af en enkelt person, bør håndtaget (C) benyttes (fig. 3b)
Bemærk: Solariet vejer over 28 kg.



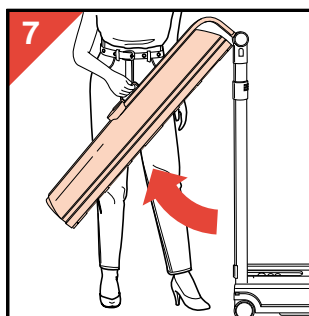
- Overdelen (L) låses op og frigøres fra underdelen (R) ved at skubbe skydepalerne (F) i pilens retning (fig. 4).



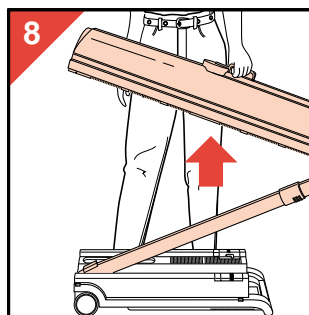
- Træk stativet (G) og overdelen (L) opad (fig. 5).



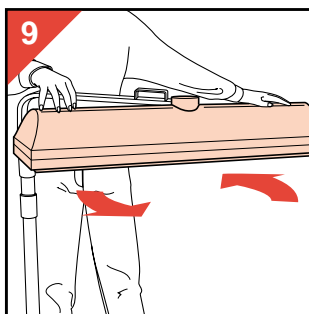
- Stil solariet i den stilling, der er vist i fig. 6.



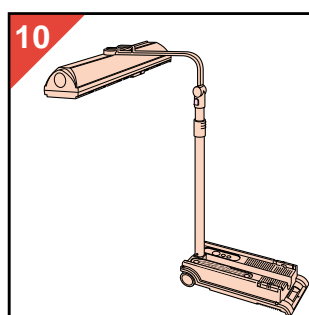
- Overdelen (L) stilles vandret. Brug håndtaget (J) (fig. 7). Der høres "klik", hver gang en af de faste positioner passerer.



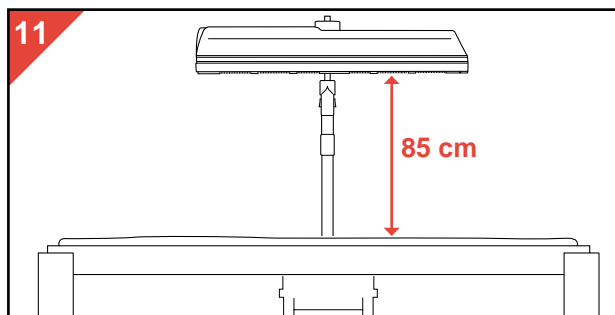
- I stedet for den her beskrevne trinvis metode kan man bruge en kombineret bevægelse. Hold fast i håndtaget (J) (fig. 8).

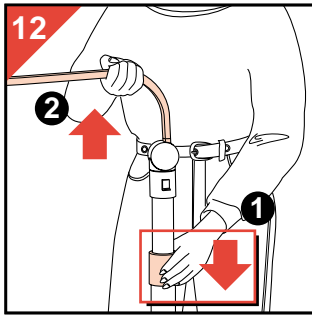


- Drej overdelen en kvart omgang (fig. 9 og 10).



- Solariet stilles ved siden af sengen som vist i fig. 11.

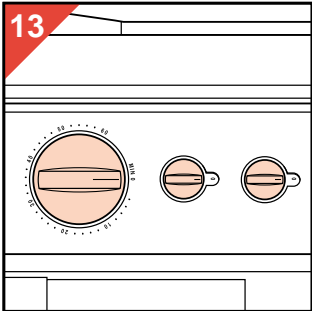




Brug afstandsmåleren (P).
- Stopringen slippes.

- Låsehåndtaget til indstilling af højden (H) åbnes ved at skyde stopringen nedad. Samtidigt trækkes stativet (G) op til en afstand af ca. 85 cm over sengen (fig. 12).

Indstilling af tidsuret.



- Sæt netstikket i en stikkontakt (220-240V) som tændes.
- Benyt tabellen i denne brugsanvisning samt eventuelle egne notater.
- Tag beskyttelsesbrillerne på.
- Indstil tidsuret til den ønskede behandlingstid (fig. 13).
- Læg Dem til rette under solariet.
- Når den valgte tid er udløbet, slukker solariet automatisk.

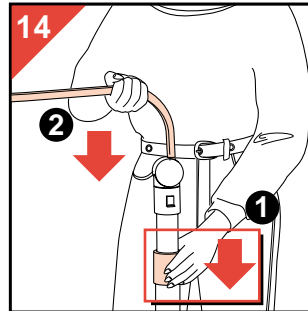
Bemærk: Tidsuret kan maksimalt indstilles til 60 minutter. Ønsker De at behandle begge sider af kroppen lige efter hinanden, tilrådes det at genindstille uret, lige før den indstillede tid er udløbet. På den måde undgår De en ventetid på mindst tre minutter (den tid det tager, før lamperne igen kan tændes).

Efter UV-behandlingen.

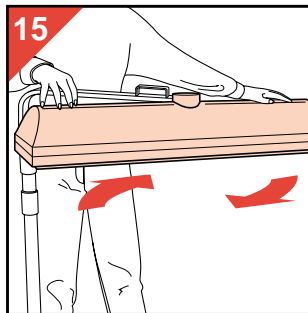
- "Hukommelsesknapperne" (E) (til 2 personer) bruges til at holde regnskab med, hvor mange behandlinger man har taget.
- Solariet skal afkøle i 15 minutter, før det lukkes sammen og stilles væk.

Sådan gøres solariet transportabelt:

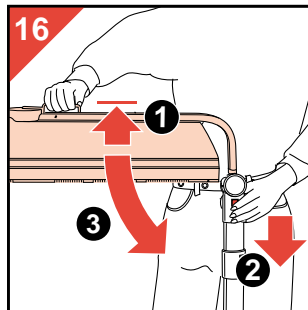
- Ledningen rulles sammen og anbringes i opbevaringsrummet (B). Sørg for at den ikke kommer i klemme, når overdelen lukkes.



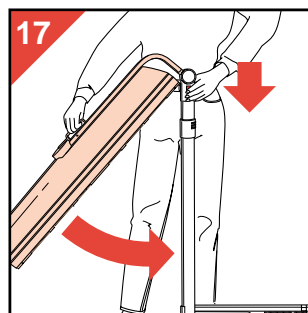
- Låsen til højdeindstillingen (H) udløses ved at skyde stopringen nedad. Samtidig skubbes stativet sammen (fig. 14). Stopringen slippes.



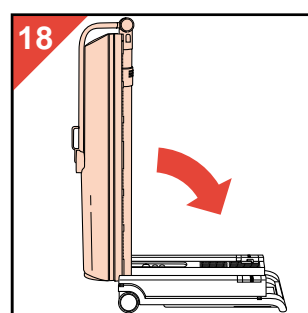
- Drej overdelen en kvart omgang (fig. 15).



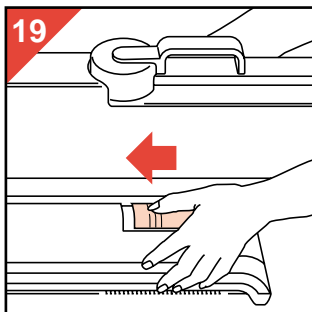
- Medens overdelen løftes lidt opad med den ene hånd, låses overdelen samtidigt op med den anden hånd ved at skyde de to låsetappe (I) nedad (fig. 16).



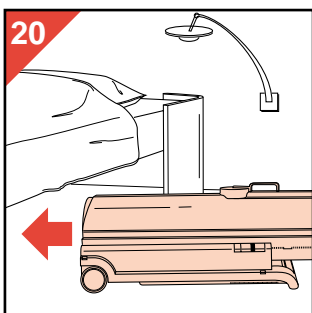
- Drej forsigtigt overdelen i lodret stilling (fig. 17).
- Låsetappene (I) slippes.



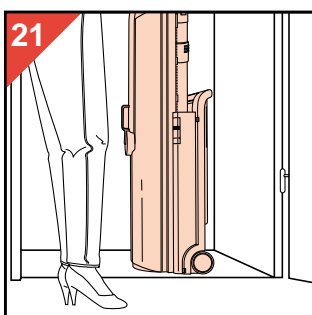
- Stativet med overdelen sænkes forsigtigt ned på underdelen (R) (fig. 18).



- Overdelen fastlåses til underdelen ved at skubbe de to skydepaler (F) i pilens retning (fig. 19).



- Efter brug kan solariet f.eks. skubbes ind under en seng (fig. 20)...



- ...eller stilles lodret i et skab (fig. 21).



Lamperne indeholder forurenende stoffer, som kan skade miljøet. Derfor skal man, når de kasseres, holde dem adskilt fra det normale husholdningsaffald og aflevere dem på et af myndighederne anvist sted.

Information & Service

For alle yderligere oplysninger eller ved eventuelle problemer med apparatet henvises venligst til Philips hjemmeside på adressen www.philips.com eller det lokale Philips Kundecenter (telefonnumre findes i vedlagte "World-Wide Guarantee" folder). Hvis der ikke findes et kundecenter i Deres land, bedes De venligst kontakte Deres lokale Philips forhandler eller Serviceafdelingen i Philips Domestic Appliances and Personal Care BV. Dette apparat overholder de gældende EU-direktiver vedrørende sikkerhed og radiostøj.

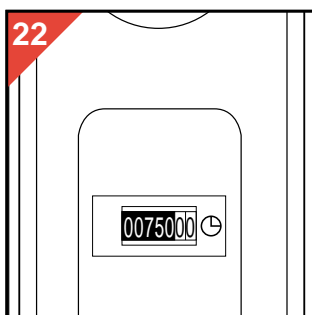
Rengøring.

Før rengøring skal stikket altid først tages ud af stikkontakten, og solariet skal være afkølet.

- Solariets yderside kan tørres af med en fugtig klud. Der må ikke komme vand ind i solariet. Der må ikke anvendes slibe- eller skuremidler eller væsker som f.eks. benzin og acetone.
- UV filterglasset kan rengøres med en blød klud fugtet med husholdningssprit.

Udskiftning af lamper og/eller UV filterglas.

Med tiden (efter et par år, hvis solariet anvendes af flere personer) ned-sættes lampernes effektivitet gradvist. Man kan kompensere for dette ved at forlænge behandlingstiden eller få lamperne udskiftet.



Timetælleren (T) viser det totale antal forbrugte timer. Generelt tilrådes det at udskifte lamperne efter 750 timer (fig 22).

UV-filterglassene beskytter mod skadelig stråling. Derfor skal et beskadiget filterglas straks udskiftes.

Udskiftning af lamper og/eller UV filterglas må kun foretages af autoriserede servicefolk, som har den fornødne ekspertise, det rigtige værktøj og de originale udskiftningsdele til rådighed.

Hvis solariet ikke fungerer, som det skal:

Hvis solariet ikke fungerer som det skal, kan det skyldes en fejl. I så fald bør De straks rette henvendelse til Deres forhandler eller til Philips.

Apparatet kan imidlertid være installeret eller anvendt forkert, så problemet kan måske løses ved egen hjælp. Derfor anbefales det først at kontrollere følgende:

Problem:

- Solariet tænder ikke.
- Sikringen springer, når solariet tændes - eller under brug.
- Bruningen svarer ikke til Deres forventninger.

Mulig årsag:

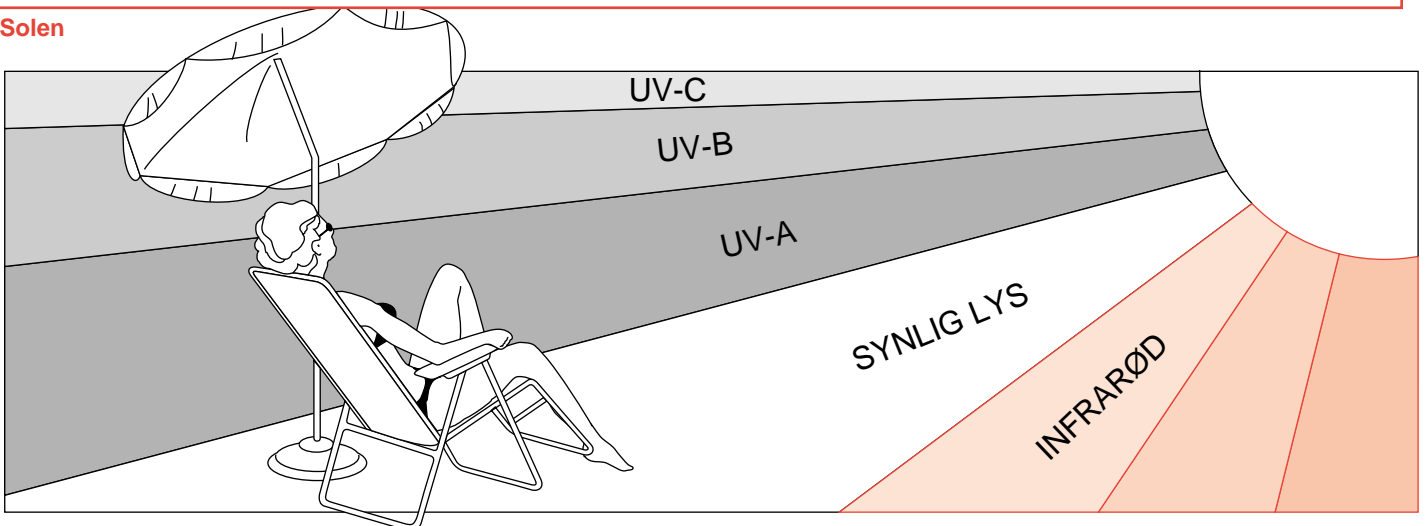
- Apparatet er ikke korrekt opstillet.
- Stikket er ikke sat i stikkontakten og/eller der er ikke tændt for stikkontakten.
- Der er strømafbrudelse (prøv med et andet apparat).
- Lamperne er stadig for varme til at tænde igen. (Lad dem afkøle i ca. 3 min.).
- Der er utilstrækkelig ventilation, og den automatiske sikkerhedsafbryder har slukket for solariet. Årsagen til overophedningen fjernes (der ligger måske et håndklæde over ventilationshullerne). (Vent 10 minutter før apparatet tændes igen.
- Kontrollér, om der er andre strømforbrugende apparater tilsluttet. Det skal være en normal sikring på 13A eller 16A eller en træg automatisk sikring.
- De har fulgt en behandling, som ikke passer til Deres hudtype.
- Behandlingsafstanden er større end den anbefalede.
- Efter lang tids brug nedsættes lampernes UV produktion (ved normal brug sker dette først efter nogle år). De kan kompensere for dette ved at forlænge behandlingstiden eller udskifte lamperne.
- De bruger en forlængerledning, som er for lang og/eller som ikke er beregnet til det høje strømforbrug. Henvend Dem til Deres forhandler. Det anbefales, så vidt muligt, at undgå brug af forlængerledning.

Viktig

- Før apparatet kobles til strømmettet, må det kontrolleres at spenningen som står på typeskiltet er den samme som i Deres hjem.
- Vann og strøm er en farlig kombinasjon! Bruk derfor aldri apparatet i fuktige omgivelser (f.eks. i dusj, badrom eller nær svømmebasseng).
- Dersom De nylig har svømt eller dusjet, er det viktig at De tørker Dem omhyggelig før apparatet benyttes.
- Pass på at barn ikke kan leke med solariet. Som forholdsregel bør støpselet alltid trekkes ut etter bruk.
- La solariet avkjøles (ca. 15 min.), før det slås sammen og settes bort.
- Flytt solariet bare når det er slått sammen (fig.2).
- Sørg for at ventilasjonsåpningene i lampekassetene og i stativet ikke tettes igjen når solariet er i bruk.
- Solariet er utstyrt med en automatisk varmesikring. I tilfelle av utilstrekkelig kjøling (f.eks. hvis ventilasjonsåpningene er blokkert), vil sikringen sørge for at solariet blir slått av automatisk. Når årsaken til overopphetingen er fjernet og solariet er tilstrekkelig nedkjølt, vil apparatet slå seg på igjen automatisk.
- Ikke overskrid anbefalt behandlingstid, eller maksimum "soltimer" (Se avsnitt "UV behandling: Hvor ofte? Hvor lenge?").
- Velg ikke kortere solavstand enn de anbefalte 65 cm.
- Hver side av kroppen skal ikke bestråles mer enn maks. en gang pr. dag. Unngå sterk bestråling av naturlig sollys samme dag som UV-behandlingen.
- Hvis De skulle få symptomer på sykdom, eller hvis De tar medisiner og/eller bruker kosmetikk som øker hudens ømfintlighet, bør De ikke ta UV-behandling. Spesiell forsiktighet bør også vises i de tilfelle der det er påvist spesielt sensitiv hud. Er De i tvil, konferer med lege.
- Solarium skal ikke brukes av personer som blir solbrent uten soling når De blir utsatt for solstråler, av personer som er solbrente, av barn eller av personer som lider (eller har lidd av) hudkreft eller har anlegg for hudkreft.
- Konferer under enhver omstendighet med lege hvis det oppstår sår, føflekker eller vedvarende klumper i huden.
- Bruk alltid beskyttelsesbrillene under soling for å beskytte øynene mot for store doser med ultrafiolette stråler, synlig lys og infrarødt. (Se også avsnittet: "UV og helsen").
- Kremer, lebestift og annen kosmetikk fjernes før behandlingen.
- Bruk ikke solkrem/-olje med solfaktor.
- Bruk heller ikke solkrem/-olje.
- Føles huden tørr etter bestrålingen, kan det med fordel benyttes fuktighetskrem.
- Bruk aldri solariet hvis UV filteret er ødelagt eller fjernet, eller hvis timeren er i uorden.
- UV filterne blir ganske varme under bestrålingen. Da må de ikke berøres.
- Farger vil blekes i sollyset. Det samme kan skje ved bruk av solarium.
- Ikke forvent at solariet vil gi bedre resultater enn naturlig sollys.

INFORMASJON FRA HELSERÅDET: se side 50

Solen



Solen er den energikilden som alt liv på jorden er avhengig av. Det er forskjellige slags solenergi: sollyset setter oss i stand til å se. Vi føler varme av solskinnen, og huden brunes.

Disse tre virkningene skyldes tre spesielle komponenter i solens strålespekter. Hver av disse komponentene har sin egen bølgelengde.

Solen sender ut elektromagnetiske bølger med varierende bølgelengde. For varmestråler eller "infrarødt" (IR), er bølgelengden lenger enn for synlig lys.

Bølgelengden for ultrafiolett (UV) - som gjør oss brune - er kortere enn disse.

Vitenskapen har greid å gjenskape disse tre slags solstråler: Varme (f.eks. infraphil), Lys (f.eks. lamper) og UV (solarium, solsenger etc).

UV-A, UV-B og UV-C

Ultrafiolett (UV) er inndelt i UV-A (lav frekvens), UV-B og UV-C (høyere frekvens).

UV-C når sjelden ned til jorden siden den blir filtrert ut i atmosfæren.

UV-A og UV-B gjør at huden blir brun.

I virkeligheten er det to prosesser som skaper brunfargen, og de virker begge samtidig:

- "**Forsinket bruning**". I første rekke stimulerer UV-B produksjonen av noe som kalles "melamin" som er nødvendig for å bli brun. Virkningen viser seg ikke før et par dager etter solbadet.
- "**Direkte bruning**". UV-A pluss deler av det synlige lyset, gir raskere bruning uten å gå veien om å bli rød eller "solbrent".

Solariet

Dette solariets stråler er hovedsakelig av UV-A typen, pluss en meget liten andel UV-B.

Det har noen spesielle egenskaper som gjør solbad hjemme behagelig og enkelt.

Den nye typen sollampe som er benyttet, utstråler **lys, varme og ultrafiolett** - akkurat som den naturlige solen.

De kan tilpasse dette solariet slik at det virkelig føles som å ligge i den virkelige solen: Hele kroppen blir jevnt bestrålt - fra topp til tå.

Av praktiske hensyn, men også for å forhindre for lang bestråling (f.eks. ved at man faller i søvn), vil timeren automatisk slå solen av etter 60 minutter.

Som med den virkelige solen, kan det bli for mye av det gode! (Se avsnittet "UV og helsen").

UV og helsen

Etter overdreven utsettelse av ultrafiolette stråler (fra solen eller fra solarium) kan huden bli solbrent. Ved siden av mange andre faktorer, slik som overdreven soling i naturlig sollys, feil eller overdreven soling med solarium, vil øke risikoen for hud eller øyensykdom.

Bestrålingens måte, styrke og tid sammen med hudens grad av ømfintlighet, avgjør i hvilken utstrekning slike skader kan oppstå.

Etter som huden og øynene utsettes for økt UV-bestråling, øker risikoen for betennelse på hornhinnen og/eller dens forbindelse, ødeleggelse av netthinnen, grå stær, for tidlig aldring av huden og hudskader (svulster).

Visse medisiner og kosmetikk kan øke ømfintligheten ved UV-bestråling.

Derfor er det meget viktig at:

- Bruksanvisningens avsnitt: "Viktig" og "UV-behandling: Hvor ofte? Hvor lenge?" blir fulgt.
- Legg merke til at anbefalt bruningsavstand er 65 cm (ca. 26").
- Maks. antall soltimer pr. år ikke overskrides (dvs. 21 timer eller 1260 min.)
- Beskyttelsesbriller alltid blir brukt under behandlingen.

UV-behandling: Hvor ofte? Hvor lenge?

De kan ta **en UV behandling pr. dag** gjennom en periode på **fem til ti dager**. La det være minst 48 timer mellom de to første behandlingene. Etter en slik serie, bør det være et opphold.

Etter **en måneds tid** vil huden ha mistet mye av brunfargen. Da kan det være på tide med en ny behandlingsrunde.

På den annen side er det også mulig å ta **en, eller to behandlinger pr. uke** etterpå for å **beholde fargen**.

Hva De enn måtte foretrekke, vær sikker på at De **ikke overskrider det maksimale antall soltimer** som for dette solariet er **21 timer (= 1260 minutter)** pr. år.

F.eks.: Tenk Dem at De tar en **10 dagers** behandling med **8 minutters behandling den første dagen** og **20 minutter de 9 følgende dagene**.

Hele behandlingstiden blir da $(1 \times 8 \text{ min.}) + (9 \times 20 \text{ min.}) =$ **188 minutter**.

I løpet av et år kan De ta **6 slike behandlinger** $(6 \times 188 \text{ min.} =$ 1128 min.)

Denne maksimumstiden gjelder naturligvis for **hver side av kroppen** som bestråles (altså for forsiden av kroppen og for baksiden).

Det fremgår av tabellen at **den første behandlingen i en serie alltid skal være på 8 minutter**. Dette er ikke avhengig av den enkeltes hudømfintlighet.

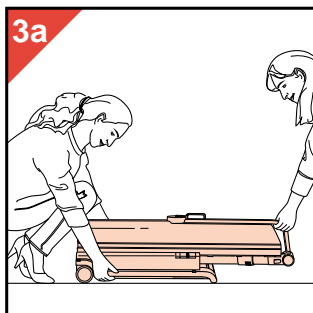
Behandlingstid for UV-behandling (for hver del av kroppen som bestråles) i min.	1. dag	pause på minst 48 timer	2. dag	3. dag	4. dag	5. dag	6. dag	7. dag	8. dag	9. dag	10. dag	
- for personer med meget ømfintlig hud:	8		10	10	10	10	10	10	10	10	10	10
- for personer med normal hud:	8		20-25	20-25	20-25	20-25	20-25	20-25	20-25	20-25	20-25	20-25
- for personer med lite ømfintlig hud:	8		30*)	30*)	30*)	30*)	30*)	30*)	30*)	30*)	30*)	30*)
*) eller lengre, avhengig av hvor ømfintlig huden er												

- Hvis De tror at behandlingstiden er for lang for Dem (f.eks. at huden blir stram og øm etter en behandling) anbefales det at behandlingstiden blir redusert med 5 min. for hver side av kroppen.

- For å få jevn farge over det hele, anbefales det at De dreier litt på Dem av og til.

Generell beskrivelse (fig.1, side 3)

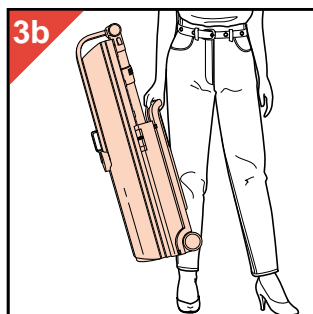
- A** Hjul
- B** Ledning i oppbevaringsrom
- C** Håndtak
- D** Timer
- E** "Huskeknapper" (for 2 personer)
- F** Sluttstykke (for å låse overdelen fast)
- G** Stativ
- H** Låseknapp for høyderegulering (utløser: skyv hylsen nedover)
- I** Låseknapp for øvre seksjon (utløser: trykk de to tappene nedover)
- J** Håndtak
- K** Vifte (kjøling)
- L** Øvre del
- M** UV-filtre
- N** Sollamper (type Philips HPA 400 - 500)
- O** Reflektor
- P** Avstandsmåler
- Q** Beskyttelsesbriller (2)
(HB 071/servicentr. 4822 690 80123 - ikke vist på figuren)
eller (HB 072/servicentr. 4822 690 80147 - vist på figuren)
- R** Nedre seksjon
- S** Typeskilt
- T** Timeteller



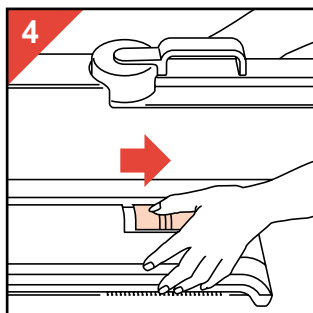
Klargjøring for bruk

I "transportstilling" er solariet på hjul slik at det lett kan flyttes og lagres.

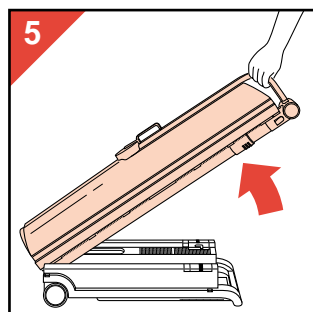
- Løfting er lettest med to personer (fig. 3A).



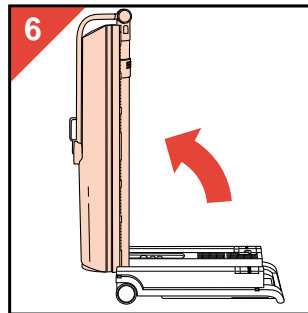
Hvis solariet må løftes, er det tilrådelig å bruke håndtaket (C) (fig. 3B). NB! Apparatet veier over 28 kg.



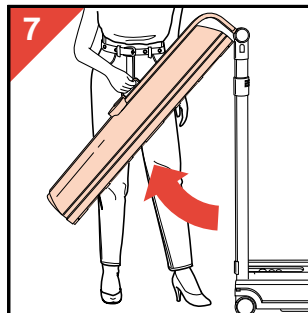
- Løs øvre seksjon (L) fra nedre seksjon (R) ved å trykke sluttstykkene (F) i pilens retning (fig. 4).



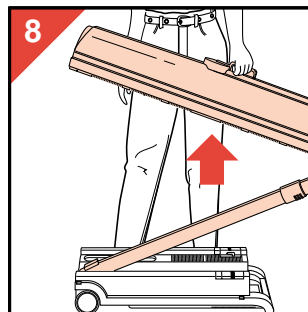
- Trekk stativet (G) og den øvre seksjonen (L) oppover (fig. 5).



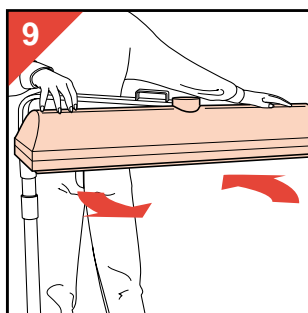
- Sett solariet i stillingen som vist i fig. 6.



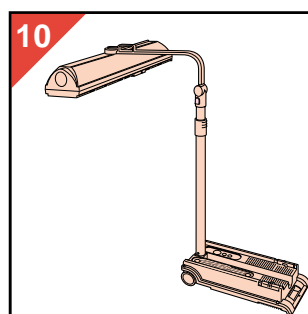
- Sett øvre seksjon (L) horisontalt. Bruk håndtaket (J) (fig. 7). De vil høre et klikk ved passering av de forskjellige faste stillingene.



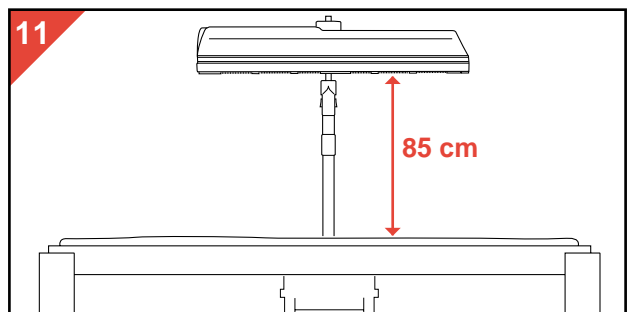
- I stedet for trinn for trinn metoden som beskrevet her, kan De benytte en kombinert bevegelse. Hold i håndtaket (J) (fig. 8).

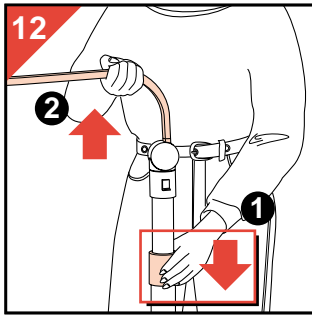


- Snu øvre seksjon en kvart omdreining (fig. 9 og 10).



- Plasser solariet inntil sengen som vist i fig. 11.

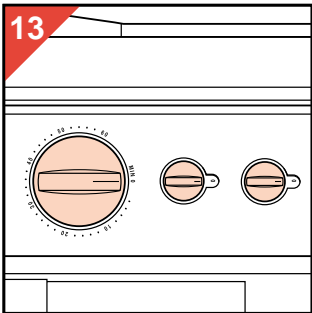




- Utløs låsekneppen for høydejustering (H) ved å skyve hylsen nedover samtidig som De trekker stativet (G) ut til ca. 85 cm (33") over sengen (fig. 12). Bruk avstandsmåleren (P).
- Frigjør hylsen.

Innstilling av timer

- Sett støpselet i stikkkontakten (220-240 V).



- Bruk tabellen i denne bruksanvisningen og Deres egne notater.
- Ha på de medfølgende beskyttelsesbrillene.
- Still inn ønsket tid ved hjelp av timeren (fig. 13).
- Legg Dem under solariet.
- Når tiden er utgått, vil timeren automatisk slå av solariet.

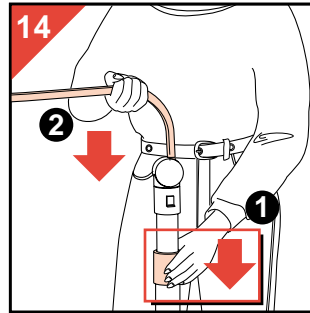
NB! Timeren kan settes til maksimum 60 min. Hvis De ønsker å behandle begge sidene av kroppen rett etter hverandre, anbefales det å justere timeren rett før innstilt tid har utløpt. Ved å gjøre dette unngår De en venteperiode på 3 min. (som ellers ville ha vært nødvendig for å kunne starte lampene igjen).

Etter bestrålingen

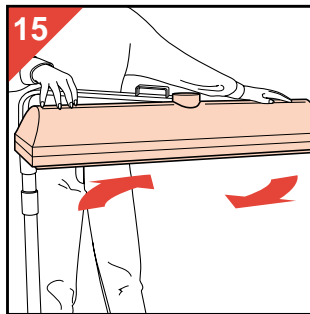
- På en av "huskelistene" kan De merke av hvor mange behandlinger De har hatt. Det er 2 slike lister for 2 brukere.
- La solariet avkjøles 15 minutter før det slås sammen og settes bort.

Hvordan gjøre solariet transportabelt

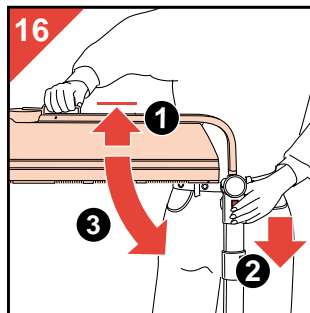
- Vikle nettleidingen og lagre den i lagringsrommet (B). Påse at den ikke kommer i klem når øvre seksjon senkes nedover.



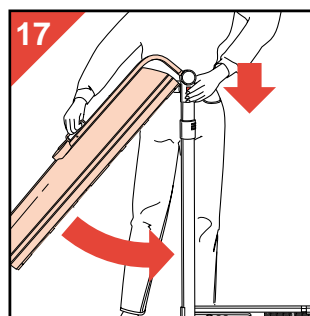
- Utløs høydejusteringslåsen (H) ved å skyve hylsen nedover. Skyv samtidig inn stativet (fig. 14) og frigjør deretter hylsen.



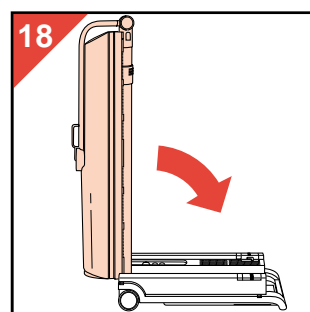
- Vri øvre seksjon en kvart omdreining (fig. 15).



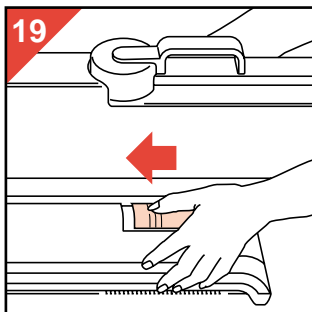
- Mens øvre seksjon løftes litt oppover med en hånd, frigjøres øvre seksjon med den andre hånden. For frigjøring - skyv de to knappene (I) nedover (fig. 16).



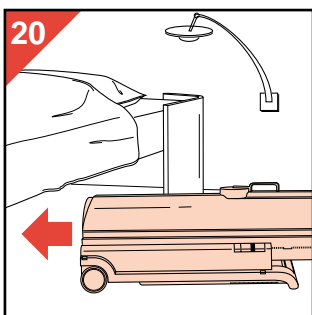
- Sett forsiktig øvre seksjon i vertikal stilling (fig. 17).
- Frigjør de to knappene (I).



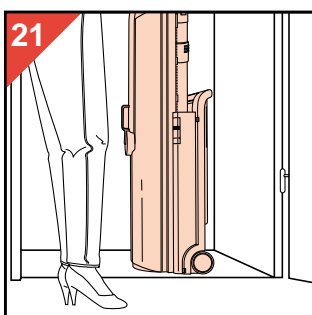
- Senk stativet med den øvre seksjonen forsiktig ned på nedre seksjon (R) (fig. 18).



- Lås den øvre delen fast til den nedre delen ved å skyve sluttstykkene (F) i pilens retning (fig. 19).



- Etter bruk kan De f.eks. skyve solariet under en seng (fig. 20)



eller ha det oppreist i et skap (fig. 21).

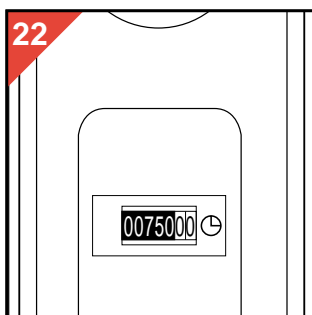
Rengjøring

Trekk alltid støpselet ut av stikkontakten og la solariet avkjøles før rengjøring.

- Utsiden kan rengjøres med en fuktig klut. Pass på at det ikke renner vann inn i apparatet. Bruk ikke pusse- eller slipemidler, eller væsker som bensin eller aceton.
- UV filterene kan rengjøres med whitesprit fuktet på en myk klut.

Skifting av sollamper og/eller UV filtre

I tidens løp (ved vanlig familiebruk etter flere år), vil effekten av sollampene gradvis avta.



Hvis det hender, kan bestrålingstiden økes eller lampene skiftes. Timetelleren (T) viser den totale brukstid i timer. Generelt anbefales det å skifte sollamper etter 750 timer (fig. 22).

UV-filterene beskytter mot uønsket stråling. Det er derfor viktig å skifte ut et skadet eller ødelagt filter med en gang.

Lamper og filtre bør bare byttes av autorisert service personell, siden bare disse har nødvendig produktkjennskap og verktøy og har tilgjengelig originale reservedeler.



Solarielampene inneholder stoffer som kan forurense miljøet. Når lampene kastes påse at de er adskilt fra annet husholdningsavfall og at de kastes på et offentlig anvist sted.

Tekniske Data

Lyskilde	: 3 x HPA 400 Cleo
Spenning	: 220-230 V 50 Hz
Effekt	: 1200 W
Sikring	: 10A
Bestrålingsfelt	: 75 x 180 cm
Mål	: 109 x 35 x 34,5 cm
Vekt	: 28 kg

INFORMASJON FRA HELSERÅDET

Bestråling av huden ved naturlig soling, eller med solarier, høyfjellssoler kan medføre helseskade. Overdreven bestråling kan gi akutt forbrenning og over lengre tid føre til at huden "eldes" raskere. Ultrafiolett stråling kan føre til hudkreft. Ultrafiolett bestråling av øynene kan gi såkalt "sveiseblink" eller "snøblindhet". Ved ultrafiolett bestråling over lengre tid kan fargesynet svekkes.

Enkelte mennesker, f.eks. albinos, er særlig følsomme for ultrafiolett stråling og bør utvise ekstra forsiktighet ved naturlig eller kunstig soling.

Noen legemidler og kosmetika kan føre til at huden blir mer følsom for ultrafiolett stråling, og dermed øke risikoen for helseskade. Personer som benytter legemidler i medisinsk behandling, bør konsultere sin lege om dette.

Verneregler:

1. Bruk alltid beskyttelsesbriller ved soling.
2. Følg anbefalte solingstider og bruksavstander.
3. Unngå kosmetikk sammen med soling.
4. Søk lege dersom De merker hudforandringer eller skader som ikke går tilbake. Dette gjelder spesielt føflekker som vokser eller klør.

Informasjon & service

Hvis De trenger service eller informasjon, kan De se Philips' Web-område på www.philips.com eller kontakte Philips Kundetjeneste (se telefonnummer i garantiheftet). Hvis det ikke er noen slik Kundetjeneste i landet hvor De befinner Dem, kan De kontakte Deres lokale Philips-forhandler eller serviceavdelingen ved Philips Domestic Appliances and Personal Care BV.

Solariet virker ikke som ønsket?

Hvis solariet ikke skulle virke som ønsket, kan dette skyldes en feil. I slike tilfeller bør De ikke nøle med å kontakte Deres forhandler eller Philips Service senter.

Imidlertid er det også mulig at apparatet ikke har blitt installert i henhold til instruksene eller brukt korrekt. Hvis dette er tilfelle, kan De være i stand til å løse problemet straks. Kontroller følgende avsnitt før De kontakter Deres forhandler eller Philips Service senter.

Problem

- Solariet slår seg ikke på:
- Nettsikringen går når solariet slås på eller er i bruk.
- Bruningen er ikke i overensstemmelse med Deres forventninger

Mulig årsak

- Apparatet er ikke oppsatt korrekt før bruk.
- Nettpluggen er ikke satt i stikk-kontakten.
- Ingen strøm (kontroller m/andre apparater.)
- Lampene er fremdeles for varme for å slås på igjen (la lampene avkjøles ca. 3 min.).
- Ventilasjonen var utilstrekkelig og den automatiske termosikringen har slått apparatet av.
Fjern årsaken til overoppheting (f.eks. ta vekk lo fra ventilasjonsåpningen) og vent 10 min. før apparatet slås på igjen.
- Kontroller sikringskursen som solariet er tilkoblet.
Sikringstype for Deres solarium er 16A normal eller 16A treg automatsikring.
- De følger et program som ikke er det beste for Deres hud.
- Solavstanden er større enn beskrevet.
- Etter lengre tids bruk vil UV-strålene fra lampene avta.
(Ved normal bruk vil dette først bli merkbart etter flere år). De kan kompensere for dette ved å bruke lengre tid eller bytte lampene.
- De bruker en forlengelsesledning som er for lang og/eller benytter ikke det anbefalte energinivået.
Generelt anbefales **ikke** bruk av forlengelsesledning.
Vennligst kontakt Deres forhandler.

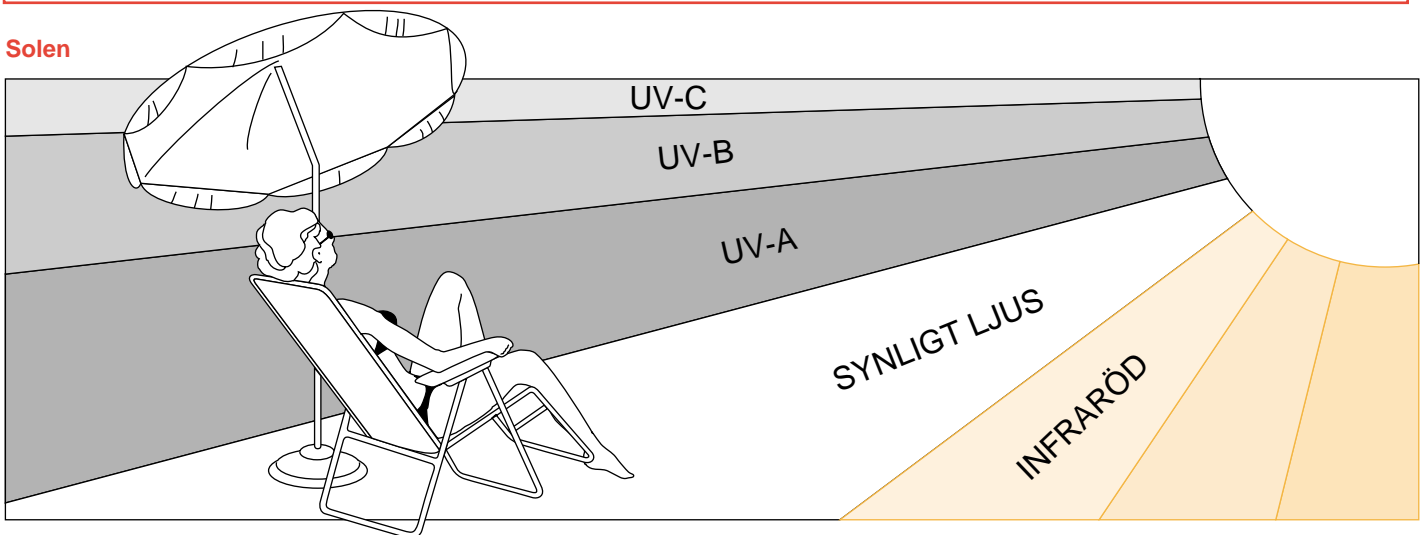
Läs först hela bruksanvisningen! Spara den! Spara köpehandlingarna d v s kvitto och försäkringsbevis!

Viktigt

- Kontrollera att nätspänningen i bostaden motsvarar den angivna på typskylten innan apparaten ansluts. Uppvisar typskylten annan märkning, vänd dig då till inköpsstället.
- Vatten och elektricitet utgör en farlig kombination. Använd därför inte solarieret i fuktiga utrymmen (t. ex. badrum, duschrum eller i närheten av en swimmingpool).
- När du kommer våt ur badet eller från duschen bör du torka dig väl innan du använder solarieret.
- Se till att barn inte leker med solarieret. Drag alltid ut stickproppen ur vägguttaget när det inte används.
- Låt solarieret kallna ca 15 minuter innan du fäller ihop det och ställer undan det.
- Flytta bara på solarieret när det är i hopfällt läge, fig 2.
- Ventilationsöppningarna upptill på lamphuset och på stativfoten får inte täckas över.
- Solarieret är försett med ett överhettningsskydd. Om inte kylningen är tillräcklig, t ex beroende på att ventilationsöppningarna är övertäckta, stängs solarieret av automatiskt. När orsaken till överhettningen eliminerats och solarieret har kallnat startar det åter automatiskt.
- Överskrid aldrig maximum antal solningstimmar per 12-månadersperiod. Följ de rekommendationer, som ges i avsnittet "Solning: Hur länge och hur ofta?"
- Observera att minimum solningsavstånd är 65 cm.
- Utsätt aldrig någon del av kroppen för bestrålning mer än en gång per dag och solbada inte samma dag.

- Sola aldrig i solarieret eller solen om du känner dig sjuk och/eller använder läkemedel eller skönhetsmedel som öka hudens känslighet för UV-strålning. Vid tveksamhet rådfråga läkare eller apotekare.
- Ett solarium bör inte användas av personer som i naturligt solljus får sveda men inte blir solbrända, av personer som har besvär med sol, av barn, eller personer som lider av hudcancer, har lidit därav eller kan vara mottagliga av hudcancer.
- Sök läkare om bestående knölar, sår eller pigmentförändringar uppstår på huden.
- Använd alltid de medföljande skyddsglasögonen för att skydda ögonen mot för mycket strålning av ultraviolett, starkt synligt och infrarött ljus. Se avsnittet "Ultraviolett strålning och hälsan".
- Avlägsna cremer, läppstift eller annan kosmetika i god tid före exponeringen.
- Använd ej solskyddsmedel.
- Om huden känns torr efter solning kan någon fuktighetsbevarande kräm användas.
- Använd aldrig solarieret om något av UV-filterglasen framför/under lamporna är trasigt eller om timern är defekt. Vänd dig i så fall till Philips eller till deras serviceombud.
- Filterglasen under lamporna blir mycket heta när lamporna är tända. Rör dem därför inte, du kan bränna dig på dem.
- Vissa material kan liksom vid vanligt solljus bli missfärgade om de utsätts för UV-strålning från solarium under längre tid.
- Du kan inte förvänta dig ett bättre resultat av solarieret än du får när du solar utomhus i solen.

Solen



Solenergin, som allt liv på jorden är beroende av, är en elektromagnetisk vågrörelse, som beroende på våglängdsområde ger olika välkända effekter, exempelvis ljuset som vi ser och värmen som vi känner. Vi vet också att det ultravioletta ljuset gör oss solbrun. Värmen brukar kallas för infraröd strålning (R) och har längre våglängd än det synliga ljuset. Det ultravioletta ljuset (UV) har kortare våglängd än det synliga och är i verkligheten osynligt, varför det kanske inte borde kallas ljus. Med teknikens hjälp har man lyckats alstra dessa tre slags

solenergi: värmestrålning (t. ex. infraröd), ljus (lampor) och ultraviolett (UV) för solarier och liknande.

De tre våglängdsområdena UVA, UVB och UVC.

Det ultravioletta ljuset (UV) delas in i tre våglängdsområden, UVA, UVB och UVC. UVA med längsta våglängden, UVB och UVC med den kortaste våglängden. UVC är mycket kortvågig strålning som knappast når jordytan, beroende på att den filtreras bort i atmosfären runt jorden. UVA och UVB finns i solljuset och gör huden solbrun.

Solbrunhet uppstår på två sätt:

1. "Fördröjd effekt".

UVB stimulerar bildandet av ett ämne i huden, som kallas "melanin", vilket måste finnas för att du skall kunna bli brun. Effekten av UVB visar sig först efter något dygn.

2. "Direkt effekt".

UVA och även en del av det synliga ljuset gör dig brun snabbare utan att du blir röd eller "solbränd".

Solariet

Detta solarium avger huvudsakligen UVA men också en liten del UVB.

Dessutom har det ett antal viktiga egenskaper som verkligen gör solbadandet hemma extra bekvämt.

Tack vare en ny typ av lampor som precis som solen utstrålar **värme, ljus och ultraviolettera strålar** kan man ställa upp solariet så att man faktiskt får känslan av att solbada i solen. Hela kroppen från topp till tå blir jämnt solbränd.

För att det är praktiskt, men framför allt av säkerhetsskäl (t.ex. genom att man somnar) är solariet försett med ett tidur, som automatiskt stänger av efter viss inställd tid - högst 60 minuter.

Liksom när du solar i solen är det olämpligt att sola för lång tid. Läs mer om detta i avsnittet "Ultraviolett strålning och hälsan".

Ultraviolett strålning och hälsan

Överdrivet solbadande under solariet kan precis som ute i solskenet ge solsveda.

Ultraviolett strålning från solen eller solarium kan ge skador på hud och ögon. Dessa biologiska effekter beror på kvalitet och mängd av strålning såväl som på individuell känslighet hos hud.

Huden kan bli solskadad efter en överdriven exponering. Överdrivet upprepade exponeringar av UV-strålning från solen eller solarium kan leda till att huden åldras i förtid och också till ökad risk för hudtumörer. Ett oskyddat öga kan få ytliga inflammationer (konjunktivitis) och i vissa fall kan skador uppstå på näthinnan eller inflammation av hornhinna och/eller bindhinna efter överdriven exponering av UV-strålning. Grå starr kan utvecklas efter många upprepade exponeringar. Speciell försiktighet är nödvändig vid uttalad individuell känslighet för UV-strålning och då viss medicin eller kosmetisk produkt används.

Det är därför viktigt att du iakttar följande.

- Följ anvisningarna under rubriken "Viktigt" och "Solning: Hur länge och hur ofta?"
- Sola med rätt avstånd, som skall vara 65 cm.
- Överskrid inte maximala antalet solningstimmar 21 (=1260 minuter) under en 12 månaders period
- Använd alltid medföljande skyddsglasögon när du solar.

Solning: Hur länge och hur ofta?

Du kan sola **en gång per dagen** under en period på upp **5 till 10 dagar**. Mellan de båda första dagarna tar du en paus på minst 48 timmar.

När du genomfört en sådan omgång är det lämpligt att göra ett uppehåll. Efter **en månad** har så gott som all solbrunhet gått bort och du kan då sola en omgång till.

Det är också möjligt att **underhålla solbrunheten** genom att sola **ett par gånger i veckan**.

Vad du än föredrar skall du **aldrig överskrida maximum antal timmar** per 12-månadersperiod.

För detta solarium gäller maximum **21 timmar = 1260 min**.

Exempel:

Låt oss anta att du solar **10 dagar** med **8 minuter första dagen** och därefter **20 min per dag**.

Detta ger $1 \times 8 \text{ min} + 9 \times 20 \text{ min} = 188 \text{ minuter}$.

På en 12-månadersperiod kan du då genomföra **6 sådana omgångar**, $6 \times 188 = 1128 \text{ minuter}$.

Givetvis gäller maximumtiden för varje kroppsdel var för sig. Du kan alltså under en 12-månadersperiod genomföra 6 sådana omgångar för framsidan och 6 för t.ex ryggsidan.

Av tabellen framgår att **solningstiden första dagen i en solningsomgång skall alltid vara 8 minuter**, oavsett vilken hudtyp du har.

Solningstid i minuter för varje kroppsdel	dag 1	en paus på minst 48 timmar	dag 2	dag 3	dag 4	dag 5	dag 6	dag 7	dag 8	dag 9	dag 10
- för personer med en mycket känslig hud:	8		10	10	10	10	10	10	10	10	10
- för personer med en normal hud:	8		20-25	20-25	20-25	20-25	20-25	20-25	20-25	20-25	20-25
- för personer med en tålig hud:	8		30*)	30*)	30*)	30*)	30*)	30*)	30*)	30*)	30*)

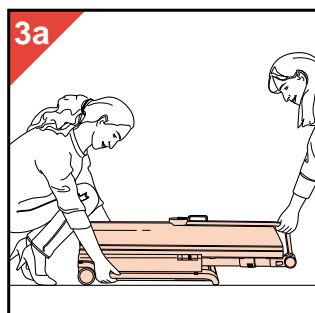
*) eller längre beroende på hudens tålighet.

- Om du tycker att solningstiden är för lång t.ex. om huden känns öm eller stram, bör du korta av den med förslagsvis 5 minuter för varje kroppsdel.

- För att få en jämn brun färg bör du röra på dig litet medan du solar så att även sidorna blir solade.

Allmän beskrivning, se fig 1, sid 3.

- A Hjul.
- B Nätsladd i förvaringsutrymme.
- C Handtag.
- D Ratt för inställning av solningstid.
- E Minnesknappar för två personer.
- F Lås.
- G Stativ.
- H Låsring för höjdställningen.
För att låsa upp: skjut låsringen nedåt.
- I Spärr för övre stativdel.
För att låsa upp: tryck de två spärrarna nedåt.
- J Handtag.
- K Kylfläkt.
- L Lamphus.
- M UV-filterglas.
- N Sollampor (Philips HPA 400 - 500).
- O Reflektor.
- P Måttband för mätning av solningsavstånd.
- Q Skyddsglasögon, 2 st.
Typ nr. HB 072 / service nr. 4822 690 80147 - avbildad -
eller typ nr. HB 071 / service nr. 4822 690 80123 -
ej avbildad.
- R Stativfot.
- S Typskylt.
- T Tidmätare.



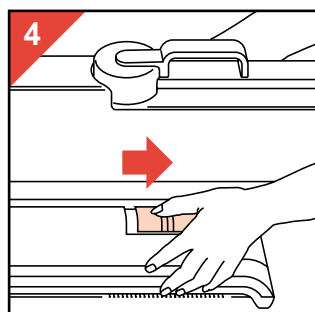
Uppställning av solariet för solning

Hopfällt i "transport läge" kan solariet rullas på sina hjul och lätt ställas på önskad plats.

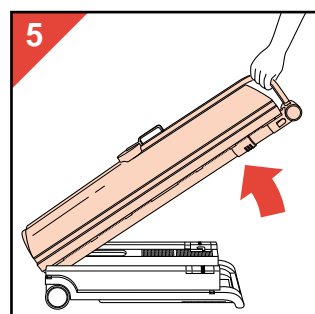
- Om solariet behöver lyftas går det bäst med två personer, fig 3a.



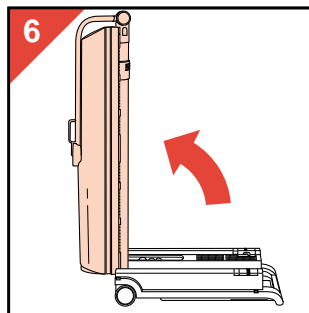
Skall solariet lyftas av en person bör denne lyfta i handtaget (C), fig 3b. Observera att solariet väger drygt 28 kg.



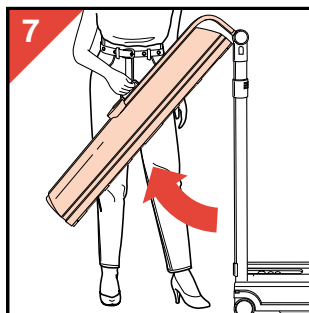
- Lösgör lamphuset (L) från stativfoten (R) genom att skjuta låsen (F) i pilens riktning, fig 4.



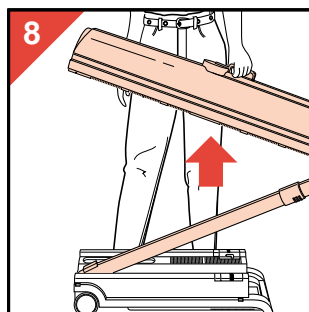
- Sväng upp stativet (G) med lamphuset (L) som fig 5 visar.



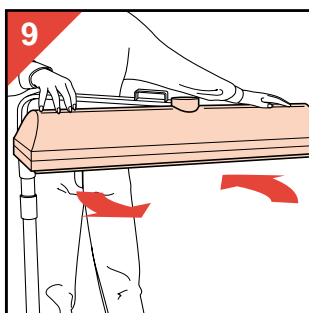
- Res upp stativet i vertikalt läge, fig 6, där det låses med ett "klick".



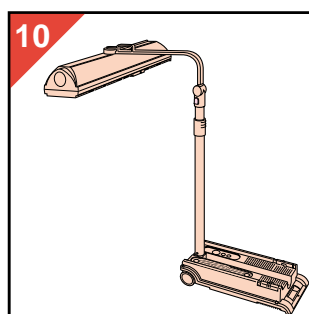
- Sväng upp lamphuset (L) i horisontellt läge. Lyft i handtaget (J), fig 7. Du hör en spärr klicka medan du svänger upp lamphuset.



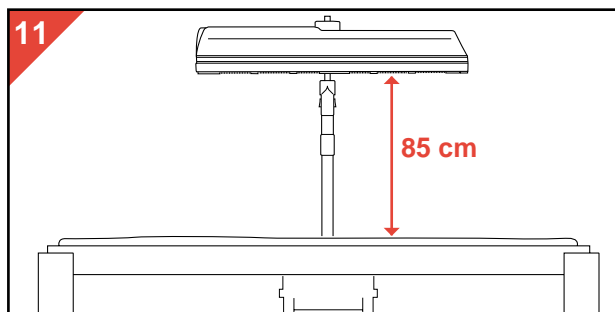
- Du kan också lyfta i handtaget (J) och resa upp solariet i ett enda moment som fig 8 visar om du tycker att det går smidigare.

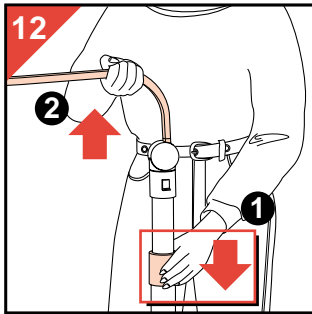


- Vrid lamphuset ett kvarts varv, fig 9 och 10.



- Ställ solariet vid sängen, fig 11.

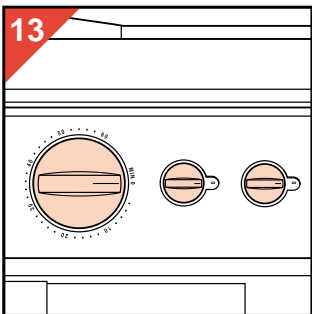




- Tryck låsringen (H) för höjdställningen neråt. Drag samtidigt stativet (G) uppåt tills lamphuset kommer ca 85 cm över sängen och släpp låsringen, så att stativet låses i detta läge. Kontrollera höjden med måttbandet (P).

Tänk på att avståndet mellan liggytan och UVA-filterglaset under lamphuset skall vara ca 85 cm när du solar. För kroppen kan du räkna med genomsnittligt 20 cm vilket gör ett solavstånd mellan kroppsdel - UVA-filter på 65 cm.

Inställning av solningstiden



- Sätt stickproppen i vägguttaget (220 - 240 V).
- Tag reda på lämplig solningstid enligt avsnittet "Solning: Hur länge och hur ofta?".
- Sätt på dig medföljande skyddsglasögon.
- Vrid ratten för inställning av solningstid och ställ den på den solningstid du ska använda, fig 13.
- Lagg dig under lamphuset.
- När den inställda tiden gått ut stängs solariet av automatiskt och lamporna slocknar.

Observera: Den längsta tiden du kan ställa in är 60 minuter.

Om du vill sola först den ena sidan och omedelbart därefter den andra är det därför lämpligt att ställa in ny tid för den andra sidan omedelbart innan tiden för den första gått ut. Då hinner inte lamporna slockna och du slipper väntetiden enligt nedan.

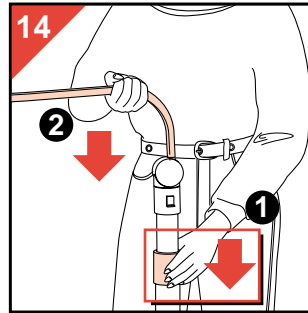
När lamporna slocknat måste de kallna minst tre minuter innan det går att tända dem igen.

När du solat färdigt

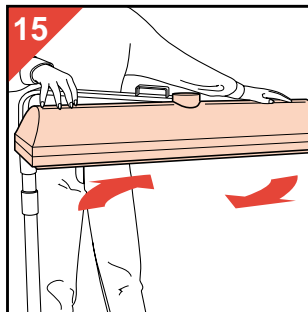
- Du kan använda en av minnesknapparna för att markera hur många gånger du solat. Det finns två sådana minnesknappar så att två personer kan använda varsin.
- Låt solariet stå och kallna 15 minuter innan du faller ihop det.

Så här faller du ihop solariet

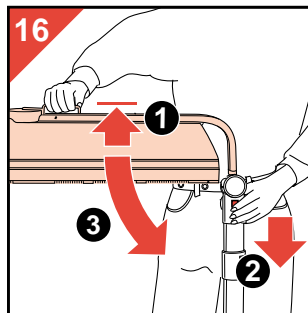
- Linda upp nätsladden i förvaringsutrymmet (B). Se upp så att sladden ligger så att den inte kommer i kläm när du faller ihop solariet.



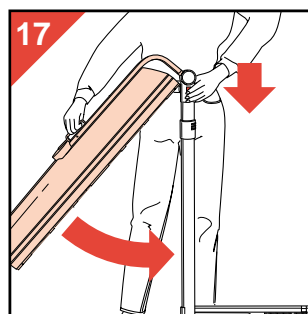
- Ta tag i stativet (G) som fig 14 visar, tryck låsringen (H) neråt och skjut ihop stativet till nedersta läget. Släpp därefter låsringen.



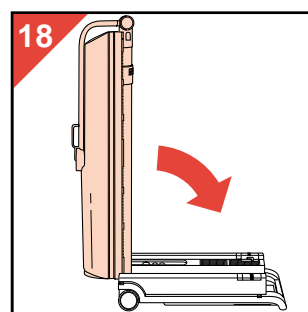
- Vrid lamphuset ett kvarts varv, fig 15, så att det kommer längs med övre stativdelen.



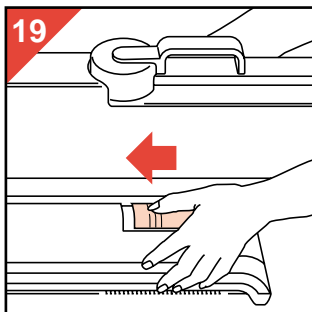
- Lyft lamphuset i handtaget som fig 16 visar och tryck samtidigt spärren (I) för den övre stativdelen neråt så att den släpper.



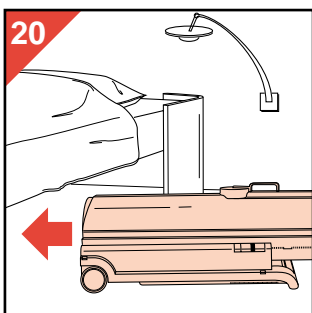
- Fäll försiktigt ner lamphuset, fig 17.
- Släpp upp spärren (I).



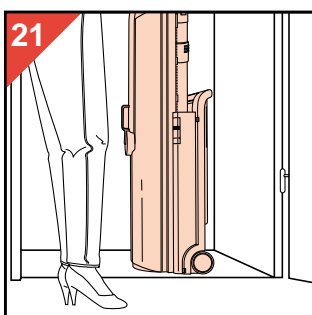
- Fäll försiktigt ner stativet med lamphuset mot stativfoten (R), fig 18.



- Lås fast lamphuset vid stativfoten med låsen (F). Skjut dem i pilens riktning som fig 19 visar.



- Hopfällt kan solariet t ex skjutas in under en säng, fig,20



eller ställas upprätt i ett skåp, fig 21.

UV-filtren utgör ett viktigt skydd mot farlig strålning. Därför måste ett defekt filter ovillkorligen bytas ut omedelbart.

Lampor och filter skall bytas av rekommenderad serviceverkstad. En av Philips rekommenderad serviceverkstad har tillgång till originaldelar och har anvisningar om hur bytet skall utföras.



Lamporna i detta solarium innehåller ämnen som kan ha negativ inverkan på vår miljö. När lampor kasseras skall de därför deponeras på av kommunen anvisad plats. Lamporna får inte ingå i eller förvaras tillsammans med hushållsavfall.

Tekniska data

Behandlingsavstånd: 65 cm
Tidsinställning: 0 - 60 min.
Nätspänning: 220 - 230V 50Hz
Strömstyrka: ca. 10A
Effektförbrukning: 1350W
Sollampor: 3 HPA 400 - 500

Information och service

Om du behöver service eller information eller om du har ett problem ska du söka upp Philips webbsida på adressen www.philips.com eller kontakta Philips kundtjänst i ditt land (rätt telefonnummer finner du i världsgarantibroschyren). Om det inte finns någon kundtjänst i ditt land ska du vända dig till din lokala återförsäljare eller kontakta serviceavdelningen på Philips Domestic Appliances and Personal Care BV.

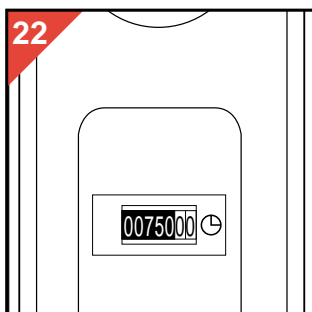
Rengöring

Drag alltid först ut stickproppen ur vägguttaget och låt solariet kallna innan du påbörjar rengöringen.

- Solariets utsida kan torkas av med en fuktig väl urvriden trasa. Se till att inget vatten tränger in i solariet. Använd inte aggressiva rengöringsmedel såsom skurpulver, lacknafta eller acetone.
- UV-filterglasen kan torkas rena med en mjuk trasa fuktad med sprit, t ex T-röd.

Byte av lampor och filter.

Först efter några års normal användning avtar lampornas effektivitet. Detta kan kompenseras genom att solningstiden ökas. Så småningom kan det dock bli nödvändigt att byta lamporna.



Solariets tidmätare T anger den totala drifttiden av solariet i timmar. I allmänhet är rådet att byta ut lamporna efter ca 750 timmar, fig 22.

Om solariet inte fungerar

Om solariet inte fungerar som förväntat kan det vara fel på det. Tag då gärna kontakt med Philips eller någon av de serviceverkstäder Philips rekommenderar.

Att solariet inte fungerar kan också bero på någon omständighet, som du själv kan påverka. För att du skall slippa extra besvär är det därför bäst att du utför nedanstående kontroller innan du tar kontakt med en serviceverkstad.

Symtom

- Solariet startar inte.
- Säkring löser ut - "Proppen går" - när du startar solariet eller under användning.
- Du blir inte så brun som du förväntat dig.

Möjlig orsak

- Solariet är inte uppställt enligt bruksanvisningen.
- Du har glömt att sätta i stickproppen i vägguttaget.
- Finns det spänning i vägguttaget? Prova t ex med en bordslampa.
- Lamporna är fortfarande för varma efter att de varit tända. Lamporna måste kallna minst 3 minuter.
- Solariet har blivit för varmt p g a att kylningen inte varit tillräcklig. Kontrollera att ventilationsöppningarna på lamphuset och på stativfoten inte är övertäckta. Vänta 10 minuter och prova igen.
- Kontrollera att du har rätt propp, måste vara lägst 10 A trög (röd). Släck lampor resp stäng av apparater, som kan vara anslutna till samma propp.
- Du följer ett solningsprogram, som inte är optimalt för dig.
- Du solar med större solningsavstånd än det föreskrivna.
- Lampornas intensitet har avtagit, vilket märks först efter några år med normal användning. Du kan då behöva sola längre tid per gång än vad som rekommenderas. Så småningom måste lamporna bytas.
- Du använder en extra förlängningssladd och denna är för lång eller för klen. Då får solariet för låg spänning. Vi rekommenderar inte användning av förlängningssladd. Rådfråga en elektriker.



Information från statens strålskyddsinstitut

Fördelningen av den ultravioletta strålningen från en godkänd sollampa överensstämmer väl med solstrålningen. Strålningen från en sollampa får dock vara cirka 4 gånger mer intensiv än solens ultravioletta strålning.

Risk för skador på ögon och hud

De skadliga effekterna efter överexponering av ultraviolet strålning från solen eller sollampor är väl kända. Strålningen kan ge skador på ögon ("snöblindhet") och hud (hudrodnad, erytem). Hur allvarligt skadorna yttrar sig beror i hög grad på individuell känslighet och den dos man utsätts för. Större dos ger kraftigare och därmed mer plågsam reaktion. Hud som inte är solbrun är mer känslig än redan solbrun hud.

Långvägig ultraviolet strålning (UVA) kan orsaka förändringar i ögats lins om stora doser tillåts träffa ögat. I värsta fall kan dessa leda till synnedsättningar.

Överkänslighet

Den individuella känsligheten kan mycket starkt påverkas av ämnen som förekommer i kosmetika och vissa läkemedel. Reaktionen kan bli mycket kraftig och i värsta fall efterlämna ärr.

Hudcancer

Långvarig exponering för ultraviolet strålning kan leda till hudförändringar som inte är övergående. Huden åldras i förtid, blir skrynklig och skrovlig och dessa förändringar kan vara förstadium till hudcancer. Ett samband mellan exponering för ultraviolet strålning från solen och hudcancer är klart påvisat.

Reservdelar

Vid byte av lampor, lysrör eller filter är det viktigt att ersättningsdelarna är likvärdiga med originaldelarna. Olämpliga ersättningsdelar kan medföra stora doser av kortvägig ultraviolet strålning (UVC och UVB). I sådana fall är risken för allvarliga brännskador stor.

SKYDDSREGLER

1. Använd alltid skyddsglasögon vid bestrålning.
2. Rengör huden från kosmetika före bestrålning.
3. Bestråla dig aldrig i samband med medicinering utan att ha rådfrågat läkare eller apotekare.
4. Respektera rekommenderade doseringsregler. Utsätt dig aldrig för mer än en bestrålning per dag.
5. Sök upp läkare, helst hudspecialist, om du märker skador eller hudförändringar som inte läks. Vänta inte med detta om det gäller förändringar som ser ut som födelsemärken eller leverfläckar och som växer.
6. Se till att du får ersättningsdelar som är likvärdiga med original-

delarna när delar behöver bytas.

Särtryck ur statens strålskyddsinstituts författningssamling 1982:1



100% recycled paper
100% papier recyclé

www.philips.com

4222 000 66025