

PROLINE

PM20W/S

MICROWAVE OVEN

MICRO-ONDES

MAGNETRONOVEN

MIKROVINNA

MICROONDE



Contents

Precautions To Avoid Possible Exposure To Excessive Microwave Energy.....	2
Important Safety Instructions.....	3
Cooking Utensils.....	4
Other Helpful Instructions.....	5
Cleaning and Care.....	5
Setting up Your Oven.....	6
Turntable Installation.....	7
Installation.....	7
Operation Instructions.....	8
Questions and Answers.....	9
Trouble Shooting.....	10
Technical Specifications.....	11
Important Disposal Instructions.....	12

PRECAUTIONS TO AVOID POSSIBLE EXPOSURE TO EXCESSIVE MICROWAVE ENERGY

The oven cannot be operated with the door open due to the safety interlocks built in the door mechanism which switch off cooking functions when the door is opened. Operating the oven with the door open could result in harmful exposure to microwave energy. It is important not to tamper with the door mechanism.

Do not place any object between the oven front face and the door or allow soil or cleaner residue to accumulate on sealing surfaces.

Do not operate the oven if it is damaged. It is particularly important that the oven door closes properly and that there is no damage to the (1) door (bent), (2) hinges and latches (broken or loosened), (3) door seals and sealing surfaces.

The oven should not be adjusted or repaired by anyone except qualified personnel.

1. The oven should be cleaned regularly and any food deposits should be removed.
2. Do not use the oven cavity for storage purposes. Do not store items, such as bread, cookies, etc. inside the oven.
3. Do not store or use this appliance outdoors.
4. Do not use this oven near water, in a wet basement or near a swimming pool.
5. Children should be supervised to ensure that they do not play with the appliance.
6. Appliances are not intended to be operated by means of an external timer or separate remote-control system.
7. The door or the outer surface may get hot when the appliance is operating.

NOTE: This appliance is intended for domestic use only, any other use may invalidate the warranty and might be dangerous.

IMPORTANT SAFETY INSTRUCTIONS

Read carefully and keep for future reference

- ◆ Only use utensils that are suitable for use in microwave ovens.
- ◆ The contents of feeding bottles and baby food jars shall be stirred or shaken and the temperature checked before consumption, in order to avoid burns.
- ◆ Do not cook food wrapped in paper towels, unless your cookbook contains instructions for the food you are cooking.
- ◆ Do not use the oven for drying kitchen towels or paper products. They may burn.
- ◆ Do not use wooden containers. They may heat up and char.
- ◆ Do not use recycled paper products since they may contain impurities which may cause sparks and / or fires when used in cooking.
- ◆ Allow the turntable to cool before cleaning.
- ◆ Small amounts of food require shorter cooking or heating time. If normal times are allowed they may overheat and burn.
- ◆ Before cooking, pierce the skin of fruit and vegetables.
- ◆ Do not cook eggs in their shell. Pressure will build up inside the egg which will burst.
- ◆ Do not attempt deep fat frying in your oven.
- ◆ Remove plastic wrapping from food before cooking or defrosting. Note though that in some cases food should be covered with plastic film, for heating or cooking, as detailed in microwave cook books.
- ◆ If smoke is observed, switch off or disconnect the oven from the power supply and keep the door closed in order to stifle any flames.
- ◆ When heating food in plastic or paper containers, keep an eye on the oven due to the possibility of ignition;
- ◆ This product is intended to be used free standing.

WARNING : Liquids or other foods must not be heated in sealed containers since they are liable to explode.

WARNING : Never allow young children to use the oven without supervision.

WARNING : If the door or door seals are damaged, the oven must not be operated until it has been repaired by a competent person.

WARNING : Microwave heating of beverages can result in delayed eruptive boiling, therefore care must be taken when handling the container.

WARNING : Do not attempt to tamper with, or make any adjustments or repairs to the door, control panel, safety interlock switches or any other part of the oven. It is hazardous for anyone to carry out any service or repair operation which involves the removal of any cover which gives protection against exposure to microwave energy. Repairs should only be undertaken by a qualified service technician.

This appliance is not intended for use by persons (including children) with reduced physical, sensory or mental capabilities, or lack of experience and knowledge, unless they have been given supervision or instructions concerning use of the appliance by a person responsible for their safety.

If the supply cord is damaged, it must be replaced by the manufacturer, its service agent or similarly qualified persons in order to avoid a hazard.

WARNING : It is hazardous for anyone other than a competent person to carry out any service or repair operation that involves the removal of a cover which gives protection against exposure to microwave energy.

WARNING : Only allow children to use the oven without supervision when adequate instructions have been given so that the child is able to use the oven in a safe way and understands the hazards of improper use.

Eggs in their shell and whole hard-boiled eggs should not be heated in microwave ovens since they may explode, even after microwave heating has ended.

Failure to maintain the oven in a clean condition could lead to deterioration of the surface that could adversely affect the life of the appliance and possibly result in a hazardous situation.

COOKING UTENSILS

Utensils should be checked to ensure that they are suitable for use in the microwave oven. The following chart summarises the proper use of cooking utensils in your oven.

Cooking utensils

Microwave

Heat resistant glass, glass ceramic	Yes
Ceramic, china	Yes
Microwave plastic	Yes
Plastic wrap	Yes
Paper (cup, plates, towels)	Yes
Metal cookware	No
Non resistance glass	No
Straw, wicker and wood	No

Microwave

1. Most glass, glass ceramic, and heat resistant glassware utensils are excellent. Those with metal trim should not be used in a microwave oven.

2. Paper napkins, towels, plates, cups, cartons and cardboard can be used in the microwave oven. Do not use recycled paper products since they may contain impurities which may cause sparks and / or fires when used in cooking. (consult a microwave cookbook for correct use of these products).

3. Plastic dishes, cups, freezer bags, and plastic wraps may be used in the microwave oven. Follow the manufacturers instructions or the information given in a microwave cookbook when using plastics in the microwave oven.

4. Metal utensils and utensils with metallic trim should not be used in the microwave oven.

If the use of aluminium foil, skewers, or utensils containing metal in the oven is specified in the recipe, allow at least 2.5 cm clearance between the metal object and the interior oven wall. If arcing (sparks) occurs, remove immediately.

Notes:

- Care should be taken when removing utensils or the glass turntable, as they may become hot during cooking
- Only use a thermometer that is designed for use in the microwave oven.
- Ensure the turntable is in place when you operate the oven.

OTHER HELPFUL INSTRUCTIONS

For best results and more enjoyable cooking, please read these comments thoroughly.

For Best Results:

1. When determining the time for a particular food, begin by using minimum time and checking condition occasionally. It is easy to overcook food because microwaves cook very quickly.
2. Small quantities of food, or foods with low water content may dry out and become hard if cooked too long.

Defrosting Frozen Food:

1. Foods that have been frozen can be placed directly in the oven for thawing. (Be certain to remove any metallic ties or wraps).
2. Defrost according to the Defrosting Tips found in this manual.
3. For areas of the food thawing faster than others, cover with small pieces of aluminium foil. This helps slow down or stop the defrosting process.
4. Some foods should not be completely thawed before cooking. For example, fish cooks so quickly that it is sometimes better to begin cooking while still slightly frozen.
5. It may be necessary to increase or decrease the cooking time in some recipes, depending on the starting temperature of the food.

NOTE:

Air from the vent may become warm during cooking.

Browning:

There are a few foods which are not cooked long enough in the microwave oven to brown and may need additional colour.

Coatings such as paprika, and browning agents such as Worcestershire sauce may be used on chops, meat patties or chicken pieces.

Roasts, poultry or ham, cooked for 10-15 minutes or longer, will brown without extra additives.

CLEANING AND CARE

Disconnect the electrical supply to the oven before cleaning

Interior walls

Remove any crumbs and food remains between the door and oven using a damp cloth. This area has to be particularly well cleaned to ensure the door will close properly. Remove any grease splashes with a soapy cloth then rinse and dry. Do not use abrasive cleaners which may damage the surface of the oven.

Only warm soapy water must be used to clean stainless steel surfaces

Roller rest

The roller rest should be removed and cleaned in hot soapy water at least once a week to prevent grease restricting the rotation of the wheels.

Door

The door and door seals should be kept clean at all times. Use only warm soapy water rinse then dry thoroughly.

DO NOT USE ABRASIVE MATERIALS, SUCH AS CLEANING POWDERS OR STEEL AND PLASTIC PADS.

Metal parts will be easier to maintain if wiped frequently with a damp cloth.

Exterior

Clean with mild soap and warm water, rinse and dry with a soft cloth. Do not use abrasive materials. Do not spill water in the vents. If the power lead becomes soiled wipe it with a damp cloth.

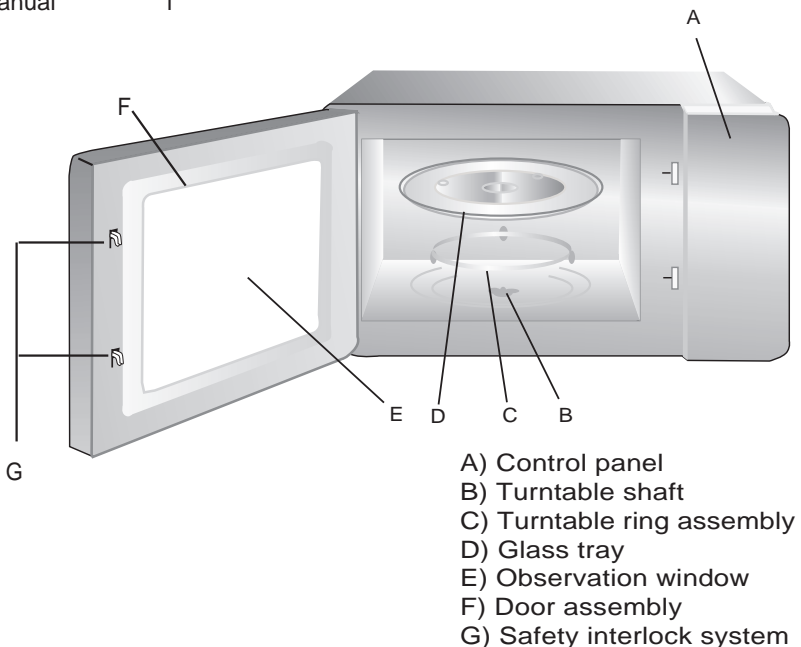
Only warm soapy water must be used to clean stainless steel surfaces

SETTING UP YOUR OVEN**Names of Oven Parts and Accessories**

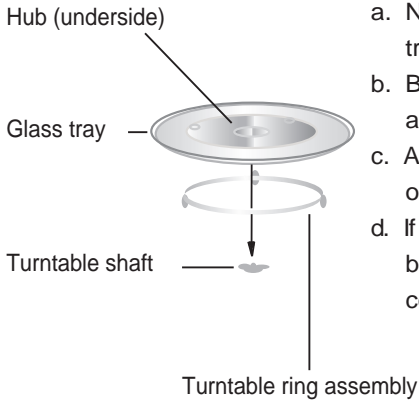
Remove the oven and all materials from the carton and oven cavity.

Your oven comes with the following accessories:

Glass tray	1
Turntable ring assembly	1
Instruction Manual	1



Turntable Installation



- Never place the glass tray upside down. The glass tray should never be restricted.
- Both glass tray and turntable ring assembly must always be used during cooking.
- All food and containers of food are always placed on the glass tray for cooking.
- If glass tray or turntable ring assembly cracks or breaks, contact your nearest authorized service center.

Countertop Installation

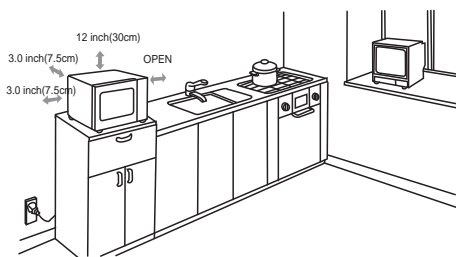
Remove all packing material and accessories. Examine the oven for any damage such as dents or broken door. Do not install if oven is damaged.

Cabinet: Remove any protective film found on the microwave oven cabinet surface.

Do not remove the light brown Mica cover that is attached to the oven cavity to protect the magnetron.

Installation

- Select a level surface that provide enough open space for the intake and/or outlet vents.



A minimum clearance of 3.0 inches (7.5cm) is required between the oven and any adjacent walls. One side must be open.

- Leave a minimum clearance of 12 inches (30cm) above the oven.
- Do not remove the legs from the bottom of the oven.

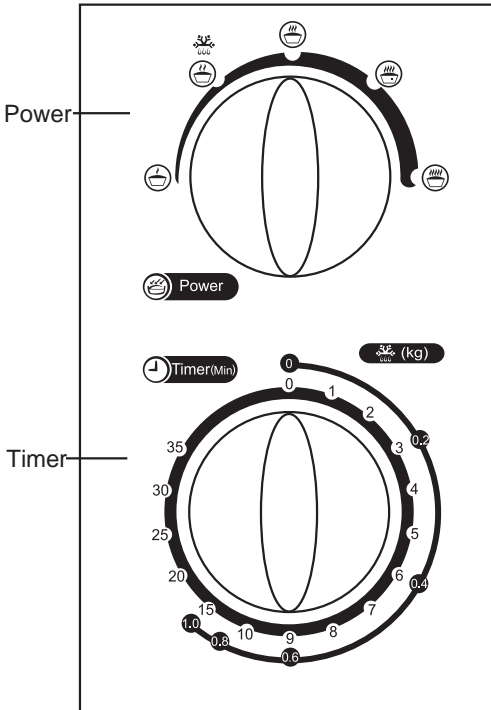
- Blocking the intake and/or outlet openings can damage the oven.
- Place the oven as far away from radios and TV as possible. Operation of microwave oven may cause interference to your radio or TV reception.
- Plug your oven into a standard household outlet. Be sure the voltage and the frequency is the same as the voltage and the frequency on the rating label.

WARNING: Do not install oven over a range cooktop or other heat-producing appliance. If installed near or over a heat source, the oven could be damaged and the warranty would be void.






OPERATION

Control Panel and Features

Operation Instructions



1. To set cooking power by turning the power knob to desired level.
2. To set the time of cooking by turning the timer knob to desired time per your food cooking guide.
3. The microwave oven will automatically start cooking after power level and time are set.
4. After the cooking time is up, the unit will "Dong" to stop.
5. If the unit is not in use, always set time to "0".

Function/Power	Output	Application
Low 	17% micro.	Soften ice cream
Med. Low (Defrost) 	33% micro.	Soup stew, soften butter or defrost
Med. 	55% micro.	Stew, fish
Med. High 	77% micro.	Rice, fish, chicken, ground meat
High 	100% micro.	Reheat, milk, boil water, vegetables, beverage

Notice: When removing food from the oven, please ensure that the oven power is switched off by turning the timer switch to 0 (zero). Failure to do so, and operating the microwave oven without food in it, can result in overheating and damage to the magnetron.

QUESTIONS AND ANSWERS

Q. What is wrong when the oven light will not glow?

A. *Light bulb has blown.

* Door not closed.

Q. Why is steam coming out of the air exhaust vent and / or why is water dripping from the bottom of the door?

A. Steam is normally produced during cooking operations. This microwave oven has been made to vent this steam out of the side and top vents, occasionally this steam condenses on the door and water then drips out at the bottom of the door. This is quite normal and safe.

Q. Does microwave energy pass through the viewing screen in the door?

A. No. The metal screen reflects the energy to the oven cavity. The holes, or ports are made to allow light to pass, they do not let microwave energy through.

Q. Will the microwave oven be damaged if it operates while empty?

A. Yes. Never run it empty.

Q. Why do eggs sometimes pop?

A. When baking or poaching eggs, the yolk may pop due to steam build-up inside the yolk membrane. To prevent this, simply pierce the yolk with a toothpick before cooking. Never cook eggs without piercing their shells.

Q. Why is standing time recommended after the cooking operation has been completed?

A. Standing time is very important.

With microwave cooking, the heat is in the food, not in the oven. Many foods build up enough internal heat to allow the cooking process to continue, even after the food is removed from the oven. Standing time for joints of meat, large vegetables and cakes is to allow the inside to cook completely, without overcooking the outside.

Q. Why does my oven not always cook fast as the microwave cooking guide says?

A. Check your cooking guide again, to make sure you've followed directions exactly and to see what might cause variations in cooking times. Cooking guide times and heat settings are suggestions, to help prevent over cooking the most common problem in getting used to a microwave oven. Variations in the size, shape and weights and dimensions could require longer cooking time. Use your own judgement along with the cooking guide suggestions to check whether the food has been properly cooked just as you would do with a conventional cooker.

Q. Why do sparks and crackling (arcing) occur in the oven?

A. There may be several reasons why sparks and crackling (arcing) within the cavity happens.

* You have left a fork or other metal utensils in the oven.

* You are using dishes with metal parts or trim (silver or gold).

* You are using a large amount of metal foil.

* You are using a metal twist tie.

Trouble shooting

Normal	
Microwave oven interfering TV reception	Radio and TV reception may be interfered when microwave oven operating. It is similar to the interference of small electrical appliances, like mixer, vacuum cleaner, and electric fan. It is normal.
Dim oven light	In low power microwave cooking, oven light may become dim. It is normal.
Steam accumulating on door, hot air out of vents	In cooking, steam may come out of food. Most will get out from vents. But some may accumulate on cool place like oven door. It is normal.
Oven started accidentally with no food in.	It is forbidden to run the unit without any food inside. It is very dangerous.

Trouble	Possible Cause	Remedy
Oven can not be started.	(1) Power cord not plugged in tightly.	Unplug. Then plug again after 10 seconds.
	(2) Fuse blowing or circuit breaker works.	Replace fuse or reset circuit breaker (repaired by professional personnel of our company)
	(3) Trouble with outlet.	Test outlet with other electrical appliances.
Oven does not heat.	(4) Door not closed well.	Close door well.
Glass turntable makes noise when microwave oven operates	(5) Dirty roller rest and oven bottom.	Refer to "Maintenance of Microwave" to clean dirty parts.

Before You Call For Service

Refer to the following short checklist. You may find that the problem you are experiencing has nothing to do with the microwave oven itself. A couple of quick checks may save you an unnecessary service call.

Problem

The oven doesn't work at all.

Check the following

- The mains plug is securely plugged into the power socket.
- The door is firmly closed.
- The cooking time is set on the timer selector control.
- The fuse in the mains plug has not blown.
- The mains circuit breaker in the home has not tripped.

Problem

"Arcing" or sparking in the oven interior.

Check the following

- Any dishes, trays etc which are made of metal or have metal trims must not be used in the microwave oven.
- Metal skewers should be covered with food and make sure they don't touch the sides of the oven interior when rotating. If "arcing" occurs again, remove skewers until food is cooked.
- Remove any other metal cookware for the oven.

TECHNICAL SPECIFICATION

Input Power:	230V~50Hz, 1270W
Output Power:	800W
Microwave Frequency:	2450MHz
Outside Dimensions:	258mm(H)x433mm(W)x345mm(D)
Oven Cavity Dimensions:	209mm(H)x306mm(W)x292mm(D)
Oven Capacity:	20Liters
Net Weight:	Approx.10kg

IMPORTANT DISPOSAL INSTRUCTIONS



As a responsible retailer we care about the environment.

As such we urge you to follow the correct disposal procedure for your product and packaging materials. This will help conserve natural resources and ensure that it is recycled in a manner that protects health and the environment.

You must dispose of this product and its packaging according to local laws and regulations.

Because this product contains electronic components, the product and its accessories must be disposed of separately from household waste when the product reaches its end of life.

Contact your local authority to learn about disposal and recycling.

The product should be taken to your local collection point for recycling. Some collection points accept products free of charge.

If something doesn't seem to work

If there is something about your appliance which you do not understand and you live in the UK you can phone our help line during normal office hours on: 0844 8009595.

Calls are charged at standard rates.

We apologise for any inconvenience caused by minor inconsistencies in these instructions, which may occur as a result of product improvement and development.

Kesa Electricals © UK, HU1 3AU 22/ 09 / 2011

Table des matières

Précautions à prendre pour éviter une exposition possible à l'énergie excessive des micro-ondes	2
Instructions importantes de sécurité	3
Ustensiles de cuisine.....	4
Autres instructions utiles.....	5
Nettoyage et entretien.....	5
Mise en place de votre four.....	6
Installation du plateau tournant.....	7
Installation.....	7
Instructions de fonctionnement.....	8
Questions et réponses.....	9
Guide de dépannage.....	10
Spécifications techniques.....	11
Importante instructions de mise au rebut.....	12

PRECAUTIONS A PRENDRE POUR EVITER UNE EXPOSITION POSSIBLE A L'ENERGIE EXCESSIVE DES MICRO-ONDES

Le four ne peut pas fonctionner avec la porte ouverte grâce au mécanisme de verrouillage de sécurité intégré à la porte qui empêche les fonctions de du four lorsque la porte est ouverte. Faire fonctionner le four avec la porte ouverte pourrait causer une dangereuse exposition à l'énergie des micro-ondes. Il est important de ne pas forcer le mécanisme de la porte.

Ne placez aucun objet entre la face avant du four et la porte et ne laissez aucun résidu de saleté ou de nettoyant s'accumulant sur les surfaces scellées.

N'utilisez pas le four s'il est endommagé. Il est particulièrement important que la porte du four ferme correctement et qu'il n'y ait aucun dommage sur la porte (1), sur les charnières et sur les loquets (2) et sur les joints et surfaces scellées (3).

Le four ne doit pas être réglé ou réparé par quiconque sauf par un personnel qualifié.

AVERTISSEMENT

Lorsque vous faites chauffer des liquides, comme des soupes, des sauces et des boissons dans votre four à micro-ondes, une ébullition éruptive retardée peut se produire sans le signe évident de bouillonnement. Cela peut causer un débordement soudain du liquide chaud. Pour empêcher cette possibilité, les étapes suivantes doivent être suivies.

1. Evitez d'utiliser des contenants à bord droits avec un goulot étroit.
2. Ne surchauffez pas.
3. Remuez le liquide avant de placer le contenant dans le four puis remuez-le une nouvelle fois à la moitié du procédé de chauffage.
4. Le contenu des biberons et des pots d'aliments pour bébé doit être remué ou agité et la température doit en être vérifiée avant consommation, de façon à éviter les brûlures.
5. Il est recommandé de nettoyer le four régulièrement et d'enlever tout dépôt alimentaire.
6. Ne pas utiliser la cavité du four comme espace de stockage. Ne pas stocker des éléments, comme un pain, des cookies, etc. dans le four.
7. Ne pas stocker ou utiliser cet appareil à l'extérieur.
8. Ne pas utiliser le four près de l'eau, dans un sous-sol humide ou encore près d'une piscine.
9. Ne pas laisser le cordon pendre de la table ou du comptoir.
10. Il convient de surveiller les enfants pour s'assurer qu'ils ne jouent pas avec l'appareil.
11. Le four à micro-ondes ne doit pas être placé dans un meuble.
12. Cet appareil n'est pas destiné à être mis en fonctionnement au moyen d'une minuterie extérieure ou par un système de commande à distance séparé.

REMARQUE : Cet appareil est conçu pour un usage domestique uniquement, tout autre utilisation pourrait annuler la garantie et pourrait être dangereux.

INSTRUCTIONS DE SECURITES IMPORTANTES LIRE AVEC ATTENTION ET GARDER POUR DE FUTURES UTILISATIONS

- Ne faites pas fonctionner le four lorsqu'il est vide. Il est mieux de laisser un verre d'eau dans le four lorsqu'il n'est pas utilisé. L'eau absorbera en toute sécurité toute l'énergie des micro-ondes si le four était accidentellement mis en route.
- Ne séchez pas de vêtements dans le four. Ils pourraient devenir carbonisés ou brûlés s'ils étaient chauffés trop longtemps.
- Ne faites pas chauffer d'aliments emballés dans des serviettes en papier, sauf si votre livre de cuisine contient des instructions spécifiques pour cuisiner ces aliments.

- N'utilisez pas le four pour sécher des serviettes en papier ou d'autres produits en papier. Ils pourraient brûler.
- N'utilisez pas de contenants en bois. Ils pourraient chauffer et carboniser.
- N'utilisez pas de produits en papier recyclé car ils peuvent contenir des impuretés qui pourraient causer des étincelles et/ou un incendie.
- Laissez le plateau tournant refroidir avant de le nettoyer.
- Des petites quantités d'aliments nécessitent un temps plus court de cuisson ou de chauffage. Si une durée normale est sélectionnée, ces aliments pourront surchauffer et brûler.
- Avant de les mettre au four, percez la peau des fruits et des légumes.
- Il n'est pas recommandé de chauffer les oeufs dans leur coquille et les oeufs durs entiers dans un four micro-ondes car ils risquent d'exploser, même après la fin de cuisson.
- Ne tentez pas de faire frire des aliments dans le four.
- Enlevez les emballages en plastique des aliments avant de les cuire ou de les décongeler. Notez tout de même que dans certains cas, les aliments doivent être couverts d'un film plastique, pour réchauffer ou cuire, comme indiqué dans les livres de cuisine pour micro-ondes.
- Si de la fumée apparaît, arrêter ou débrancher le four et garder la porte fermée pour étouffer les flammes éventuelles.
- Si de la fumée **émet**, arrêter ou débrancher le four et garder la porte fermée pour étouffer les flammes éventuelles.
- Pendant le chauffage de denrées alimentaires dans des contenants en plastique ou en papier, garder un oeil sur le four en raison de la raison de la possibilité d'inflammation.

MISE EN GARDE: Les liquides et autres aliments ne doivent pas être chauffés dans des contenants fermés hermétiquement car ils risquent d'exploser.

MISE EN GARDE: N'autorisez les enfants à utiliser le four sans surveillance que si des instructions appropriées leur ont été données, permettant à l'enfant d'utiliser le four de façon sûre et de comprendre les dangers d'une utilisation incorrecte

Cet appareil peut être utilisé par des enfants âgés de 8 ans et plus, et par des personnes dont les capacités physiques, sensorielles ou mentales sont réduites ou des personnes dénuées d'expérience ou de connaissance, si elles ont pu bénéficier d'une surveillance ou d'instructions préalables concernant l'utilisation de l'appareil en toute sécurité et avoir compris les dangers impliqués. Les enfants ne doivent pas jouer avec l'appareil. Le nettoyage et la maintenance ne doivent pas être réalisés par les enfants sauf s'ils sont âgés de 8 ans et plus et s'ils sont supervisés.

MISE EN GARDE: Si la porte ou le joint de porte est endommagé, le four ne doit pas être mis en fonctionnement avant d'avoir été réparé par une personne compétente.

MISE EN GARDE: Il est dangereux pour quiconque autre qu'une personne compétente d'effectuer des opérations de maintenance ou de réparation entraînant le retrait d'un couvercle qui protège de l'exposition à l'énergie micro-ondes.

*** Appareil de groupe 2 Classe B**

Cet appareil est un appareil de Groupe 2 car il produit intentionnellement de l'énergie à fréquence radioélectrique pour le traitement de la matière et il est destiné à être utilisé dans un local domestique ou un établissement raccordé directement au réseau de distribution d'électricité à basse tension alimentant des bâtiments à usage domestique (Classe B).

Cet appareil n'est pas prévu pour être utilisé par des personnes (y compris les enfants) dont les capacités physiques, sensorielles ou mentales sont réduites ou des personnes dénuées d'expérience ou de connaissance, sauf si elles ont pu bénéficier, par l'intermédiaire d'une personne responsable de leur sécurité, d'une surveillance ou d'instructions préalables concernant l'utilisation de l'appareil.

Si le câble d'alimentation est endommagé, il doit être remplacé par le fabricant, son service après-vente ou des personnes de qualification similaire afin d'éviter un danger. N'utiliser que des ustensiles appropriés à l'usage dans les fours micro-ondes.

Le chauffage des boissons par micro-ondes peut provoquer un jaillissement brusque et différé de liquide en ébullition, aussi des précautions doivent elles être prises lors de la manipulation du récipient.

Si l'appareil n'est pas maintenu dans un bon état de propreté, sa surface pourrait se dégrader et affecter de façon inexorable la durée de vie de l'appareil et conduire à une situation dangereuse.

USTENSILES DE CUISINE

Les ustensiles doivent être examinés pour vous assurer qu'ils conviennent à une utilisation dans le four à micro-ondes. Le tableau suivant donne une liste résumée des ustensiles de cuisine convenant à une utilisation dans le four à micro-ondes.

Ustensiles de cuisine

Micro-ondes

Verre résistant à la chaleur, céramique de verre	Oui
Céramique, porcelaine	Oui
Plastique pour micro-ondes	Oui
Film plastique	Oui
Papier (gobelet, assiettes, serviettes)	Oui
Articles en métal	Non
Verre non résistant	Non
Paille, osier et bois	Non

Micro-ondes

1. La plupart des ustensiles en verre, en céramique de verre et en verre résistant à la chaleur sont excellents. Les articles comportant des bords en métal ne doivent pas être utilisés dans le four à micro-ondes.
2. Les mouchoirs en papier, les serviettes, les assiettes, les gobelets en papier et les cartons peuvent être utilisés dans le four à micro-ondes. N'utilisez pas de produits en papier recyclé car ils peuvent contenir des impuretés qui pourraient causer des étincelles et/ou un incendie s'ils sont utilisés pour cuisiner.
3. Les plats et les verres en plastique, les sacs de congélation et les emballages en plastique peuvent être utilisés dans le four à micro-ondes. Suivez les instructions des fabricants ou les informations données dans le livre de cuisine pour four à micro-ondes si vous désirez utiliser des matières plastiques dans le four.
4. Les ustensiles en métal et les articles comportant des pièces en métal ne doivent pas être utilisés dans le four à micro-ondes.

Si l'utilisation d'une feuille d'aluminium, de brochettes ou d'ustensiles contenant du métal est spécifiée dans la recette, laissez alors au moins 2,5cm d'espace entre l'objet métallique et les parois intérieures du four. Si un jaillissement en arc (étincelles) se produit, enlevez l'article immédiatement.

Remarques :

- Des précautions doivent être prises lorsque vous enlevez les ustensiles ou le plateau tournant du four, car ils peuvent devenir chauds durant la cuisson.
- Utilisez seulement un thermomètre conçu ou recommandé pour une utilisation dans le four.
- Assurez-vous que le plateau tournant est en place lorsque vous utilisez le four.

AUTRES INSTRUCTIONS UTILES

Pour de meilleurs résultats et une cuisine plus plaisante, veuillez lire entièrement ces commentaires.

Pour de meilleurs résultats :

1. Lorsque vous devez déterminer la durée de cuisson pour un aliment particulier, commencez par utiliser un minimum de temps et vérifiez régulièrement la condition. Il est facile de trop cuire les aliments car les fours à micro-ondes cuisent très rapidement.
2. Des petites quantités d'aliments, ou des aliments contenant un faible taux d'humidité peuvent sécher et devenir durs s'ils sont cuits trop longtemps.

Décongeler des aliments congelés :

1. Les aliments ayant été congelés peuvent être placés directement dans le four pour les décongeler (assurez-vous d'enlever toute attache ou emballage métallique).
2. Décongelez en suivant les conseils de décongélation donnés dans ce manuel.
3. Pour les parties de l'aliment se dégelant plus rapidement que d'autres, couvrez-les avec des petites pièces d'aluminium. Cela aidera à ralentir ou arrêter le processus de décongélation.
4. Certains aliments ne doivent pas être complètement décongelés avant la cuisson. Par exemple, le poisson se cuit si vite qu'il est parfois mieux de démarrer la cuisson alors qu'il est encore légèrement congelé.
5. Il peut être nécessaire d'augmenter ou de diminuer la durée de cuisson de certaines recettes, selon la température de l'aliment au début.

REMARQUE :

L'air sortant des fentes d'aération peut devenir chaud durant la cuisson.

Brunissement :

Certains aliments qui ne sont pas cuits suffisamment longtemps pour brunir dans le four à micro-ondes peuvent avoir besoin de couleur supplémentaire.

Une couche de paprika ou d'un agent de brunissement comme la sauce de Worcester (sauce épicée au soja et au vinaigre) peut être ajoutée sur les morceaux de viande, les steaks hachés ou les pièces de poulet.

Les rôtis, la volaille ou le porc, cuits durant 10 à 15 minutes ou plus longuement bruniront sans additifs s'ils sont cuits en mode combiné.

NETTOYAGE ET ENTRETIEN

Déconnectez le four de la source électrique avant de procéder au nettoyage.

Parois intérieures

Enlevez toutes les miettes et résidus d'aliments laissés entre la porte et le four en utilisant un chiffon humidifié. Cette partie doit être surtout nettoyée pour assurer la bonne fermeture de la porte. Enlevez toute éclaboussure de graisse avec un chiffon savonneux puis rincez et séchez. N'utilisez pas de nettoyants abrasifs pouvant endommager la surface du four.

Uniquement de l'eau chaude savonneuse doit être utilisée pour nettoyer les surfaces en inox.

Support de roulement

Le support de roulement doit être enlevé et nettoyé dans de l'eau savonneuse au moins une fois par semaine pour empêcher la graisse de restreindre la rotation des roues.

Porte

La porte et les scellés de la porte doivent toujours être gardés propres. Utilisez seulement de l'eau chaude savonneuse, rincez et séchez entièrement.

N'UTILISEZ PAS DE MATERIAUX ABRASIFS, COMME DES POUDRES DE NETTOYAGE OU DES TAMPONS NETTOYANTS EN ACIER OU EN PLASTIQUE.

Les parties en métal seront plus faciles à entretenir si elles sont essuyées fréquemment avec un chiffon humidifié.

Extérieur

Nettoyez avec un savon doux et de l'eau chaude, rincez et séchez avec un chiffon doux. N'utilisez pas de matériaux abrasifs. Ne laissez pas d'eau s'infiltrer dans les fentes d'aération. Si le câble d'alimentation devient sale, essuyez-le avec un chiffon humidifié.

Uniquement de l'eau chaude savonneuse doit être utilisée pour nettoyer les surfaces en inox.

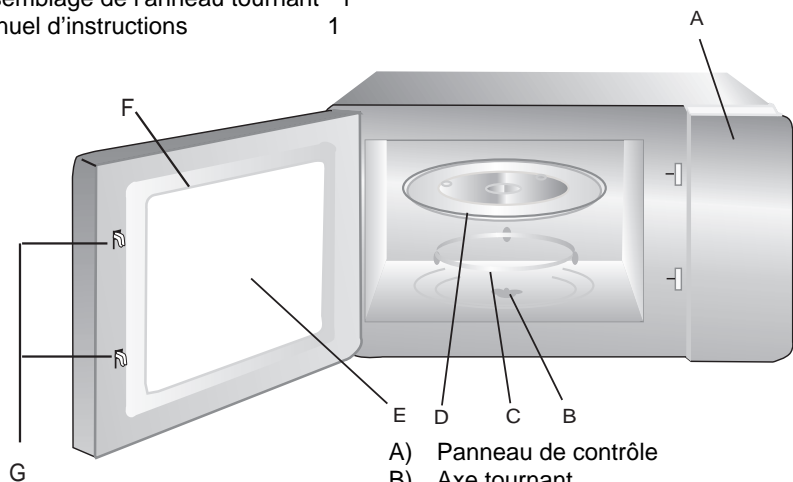
MISE EN PLACE DE VOTRE FOUR

Noms des pièces et accessoires du four

Enlevez le four et les autres pièces du carton d'emballage.

Votre four est fourni avec les accessoires suivants :

Plateau tournant	1
Assemblage de l'anneau tournant	1
Manuel d'instructions	1



- A) Panneau de contrôle
- B) Axe tournant
- C) Assemblage de l'anneau tournant
- D) Plateau tournant
- E) Fenêtre d'observation
- F) Assemblage de la porte
- G) Système de verrouillage de sécurité

Installation du plateau tournant

Moyeu (en dessous)

Plateau en verre

Axe tournant

Assemblage de l'anneau tournant

- Ne placez jamais le plateau en verre à l'envers. Le plateau en verre ne doit jamais être bloqué.
- Le plateau en verre et l'assemblage de l'anneau tournant doivent toujours être utilisés pour la cuisson.
- Tous les aliments et contenants des aliments doivent toujours être placés sur le plateau en verre pour la cuisson.
- Si le plateau en verre ou l'assemblage de l'anneau tournant est fissuré ou cassé, contactez votre centre autorisé de réparations.

Installation du four sur un plan de travail

Enlevez tous les matériaux d'emballage et les accessoires. Examinez le four et vérifiez qu'il ne comporte pas de dommages, comme des bosses ou la porte cassée. Ne procédez pas à l'installation si le four est endommagé.

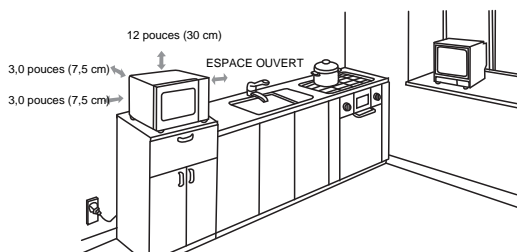
Intérieur du four : Enlevez tout film protecteur situé sur les surfaces intérieures du four à micro-ondes.

N'enlevez pas la couverture de mica de couleur marron clair qui est fixée à l'intérieur du four pour protéger le magnétron.

Installation

1. Sélectionnez une surface plate fournissant suffisamment d'espace pour les conduits d'entrée et de sortie.

Un espace minimum de 3,0 pouces (7,5 cm) est nécessaire entre le four et tout mur adjacent. Un côté doit être ouvert.

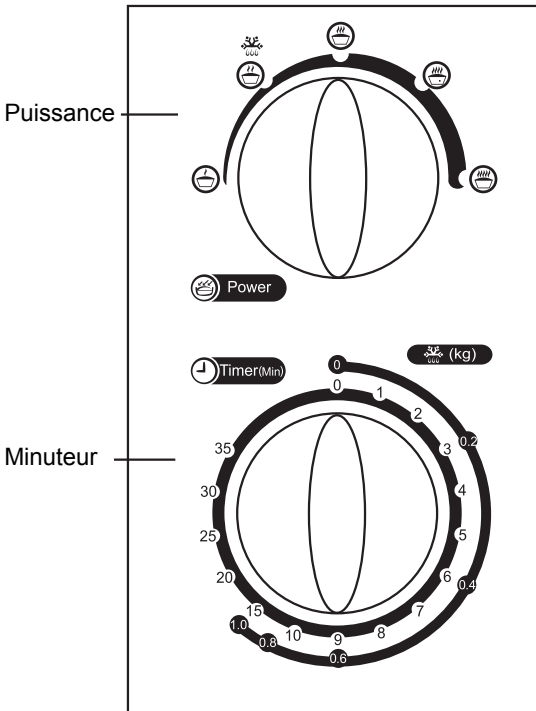


- Laissez un espace minimum de 12 pouces (30 cm) au-dessus du four.
 - N'enlevez pas les pieds situés en bas du four.
 - Bloquer les ouvertures d'entrée et de sortie peut endommager le four.
 - Placez le four aussi loin que possible des appareils radio et TV. Le fonctionnement du four à micro-ondes peut causer des interférences sur la réception de la radio ou du téléviseur.
- Branchez votre four à une prise électrique domestique. Assurez-vous que la tension et la fréquence soient les mêmes que celles indiquées sur la fiche signalétique.

AVERTISSEMENT : N'installez pas le four au-dessus d'une plaque de cuisson ou au-dessus de tout appareil produisant de la chaleur. S'il est installé près ou sur une source de chaleur, le four pourrait être endommagé et annulerait la garantie.

FONCTIONNEMENT

Panneau de contrôle et fonctions Instructions de fonctionnement



1. Pour régler la puissance de cuisson en tournant le bouton de puissance au niveau désiré.
2. Pour régler la puissance de cuisson en tournant le bouton du minuteur à la durée désirée selon votre guide de cuisson des aliments.
3. Le four à micro-ondes commencera la cuisson automatiquement une fois que le niveau de puissance et la durée ont été réglés.
4. Une fois que le temps de cuisson est terminé, l'appareil fera entendre un « Dong » sonore en s'arrêtant.
5. Si l'appareil n'est pas utilisé, réglez toujours le minuteur sur « 0 ».

Fonction/Puissance	Sortie	Application
Faible ☹	17% de puissance	Ramollir de la glace
Moyennement faible (décongélation) ☹☹	33% de puissance	Faire mijoter une soupe, ramollir du beurre ou décongeler
Moyenne ☹☹	55% de puissance	Ragoût, poisson
Moyennement forte ☹☹☹	77% de puissance	Riz, poisson, poulet, viande
Forte ☹☹☹☹	100% de puissance	Réchauffer, lait, faire bouillir de l'eau, légumes, boisson

Remarque : Lorsque vous enlevez les aliments du four, veuillez vous assurer que l'alimentation est éteinte en tournant l'interrupteur du minuteur à 0 (zéro). Ne pas le faire et faire fonctionner le four à micro-ondes sans aliments placés à l'intérieur, peut causer une surchauffe et endommager le magnétron.

QUESTIONS ET REPONSES

Q : Pourquoi la lumière du four ne s'allume pas ?

A : *L'ampoule de la lumière est grillée.

* La porte n'est pas fermée.

Q : Pourquoi de la vapeur s'échappe de la bouche d'échappement et / ou pourquoi des gouttes d'eau s'écoulent du bas de la porte ?

A : La vapeur est normalement produite durant le processus de cuisson. Ce four à micro-ondes est conçu pour évacuer cette vapeur d'eau par les bouches d'aération sur le côté et en haut du four, parfois cette vapeur se condense sur la porte et de l'eau s'écoule par le bas de la porte. Cela est normal et ne présente aucun danger.

Q : Est-ce que l'énergie des micro-ondes passe à travers la fenêtre d'observation de la porte ?

A : Non. L'écran en métal réfléchit l'énergie vers l'intérieur du four, les trous, ou les ports sont destinés à laisser passer la lumière mais ne laissent pas passer l'énergie des micro-ondes.

Q : Est-ce que le four à micro-ondes serait endommagé s'il fonctionnait à vide ?

A : Oui. Ne le faites jamais fonctionner lorsqu'il est vide.

Q : Pourquoi les oeufs éclatent parfois ?

A : Lorsque vous faites cuire ou pocher des oeufs, le jaune d'oeuf peut éclater à cause de la vapeur créée à l'intérieur de la membrane du jaune. Pour empêcher ceci, percez simplement le jaune avec un cure-dent avant de le cuire. Ne faites jamais cuire des oeufs sans percer leur coquille.

Q : Pourquoi est-il recommandé d'attendre un moment après que le processus de cuisson soit terminé ?

A : Attendre un moment avant d'ouvrir le four est très important.

Lorsque vous cuisinez avec des micro-ondes, la chaleur est dans les aliments et non dans le four. De nombreux aliments accumulent suffisamment de chaleur interne pour permettre au processus de cuisson de continuer, même une fois que les aliments sont retirés du four. Attendre un moment permet à l'intérieur des morceaux de viande, des gros légumes et des gâteaux de cuire complètement, sans trop cuire l'extérieur.

Q : Pourquoi mon four ne cuit pas toujours aussi rapidement que le guide de cuisine pour four à micro-ondes l'indique ?

A : Regardez de nouveau dans votre guide de cuisine pour four à micro-ondes afin de vérifier si vous avez suivi exactement les instructions et pour définir ce qui cause des variations des durées de cuisson. Les durées de cuisson et les réglages de chaleur indiqués dans le guide sont des suggestions, afin d'empêcher une trop forte cuisson qui est le problème majeur et le plus commun lors de l'apprentissage de l'utilisation du four à micro-ondes. Les variations de taille, de forme, de poids et de dimensions peuvent nécessiter une durée de cuisson plus longue. Jugez par vous-même en vous inspirant des suggestions du guide et vérifiez si vos aliments sont cuits correctement comme vous le feriez avec un four traditionnel.

Q : Pourquoi des étincelles et des crépitements (jaillissements en arc) se produisent dans le four ?

A : Il peut y avoir plusieurs raisons si des étincelles et des crépitements (jaillissements en arc) se produisent à l'intérieur du four.

* Vous avez laissé une fourchette ou un autre ustensile en métal dans le four.

* Vous utilisez des plats comportant des parties ou des bords en métal (argent ou or).

* Vous utilisez une grande quantité d'aluminium.

* Vous utilisez une attache en métal.

Guide de dépannage

Normal	
Le four à micro-ondes interfère avec la réception TV	La réception radio et TV peut interférer avec le fonctionnement du micro-ondes. Ces interférences sont similaires avec des petits appareils électriques, comme un mixeur, un aspirateur ou un ventilateur. Cela est normal.
La lumière du four est faible	Lors d'une cuisson à faible puissance, la lumière du four peut devenir faible. Cela est normal.
De la vapeur s'accumule sur la porte et de l'air chaud sort des conduits	Lors de la cuisson, de la vapeur peut s'extraire des aliments. La plus grande quantité sortira par les conduits. Mais un peu de vapeur pourra s'accumuler sur une surface froide comme la porte du four. Cela est normal.
Le four a été mis en marche accidentellement sans aliments	Il est interdit de faire fonctionner le four sans aliments à l'intérieur. C'est très dangereux.

Problème	Cause possible	Solution
Le four ne démarre pas.	(1) Le câble d'alimentation n'est pas correctement branché.	Débranchez. Puis branchez le câble de nouveau après 10 secondes.
	(2) Le fusible a sauté ou le disjoncteur est activé.	Remplacez le fusible ou réinitialisez le disjoncteur (réparé par un agent d'entretien qualifié de notre compagnie).
	(3) Il y a un problème avec la prise d'alimentation..	Testez la prise avec un autre appareil électrique.
Le four ne chauffe pas.	(4) La porte n'est pas fermée correctement.	Vérifiez que la porte soit correctement fermée.
La plaque tournante en verre fait du bruit lorsque le micro-ondes fonctionne.	(5) L'anneau ou le bas du four est sale.	Référez-vous au paragraphe « Entretien du micro-ondes » pour nettoyer les parties sales.

Avant d'appeler pour une réparation

Référez-vous à la courte liste de vérification suivante. Vous pourrez découvrir que le problème que vous expérimentez n'a aucun lien avec le four à micro-ondes lui-même. Quelques rapides vérifications peuvent vous épargner un appel pour une réparation non nécessaire.

Problème

Le four ne fonctionne pas du tout.

Vérifiez ce qui suit

La prise d'alimentation est correctement branchée dans la prise murale électrique.

La porte est solidement fermée.

La durée de cuisson est réglée sur le contrôle de sélection du minuteur.

Le fusible de la prise électrique n'a pas explosé.

Le disjoncteur électrique domestique n'a pas sauté.

Problème

Des « jaillissement en arc » ou des étincelles se produisent à l'intérieur du four.

Vérifiez ce qui suit

Tout plat, plateau etc. fabriqué en métal ou comportant des parties en métal ne doit pas être utilisé dans le four à micro-ondes.

Les brochettes en métal doivent être couvertes d'aliments et assurez-vous qu'elles ne touchent pas les parois de l'intérieur du four lorsque le plateau tourne. Si des « jaillissements en arc » se produisent encore, enlevez les brochettes jusqu'à ce que les aliments soient cuits. Enlevez tout autre article en métal du four.

SPECIFICATIONS TECHNIQUES

Puissance de consommation :	230V-50Hz, 1270W
Puissance de sortie:	800W
Fréquence de micro-ondes :	2450MHz
Dimensions extérieures :	258mm (Hauteur) x 433mm (Largeur) x 345mm (Diamètre)
Dimensions de l'intérieur du four :	209mm (Hauteur) x 306mm (Largeur) x 292mm (Diamètre)
Capacité du four :	20 Litres
Poids net :	Approximativement 10 kg

IMPORTANTES INSTRUCTIONS DE MISE AU REBUT



En tant que revendeur, nous nous préoccupons de l'environnement.

Aidez-nous en observant toutes les instructions et réglementations de mise au rebut de vos appareils, piles et emballages. Nous devons tous œuvrer pour la protection des ressources naturelles et la conservation de notre environnement.

Déposez vos appareils électroniques et vos emballages auprès des installations de recyclage prévues. Ce produit contient des composants électroniques et des piles, aussi ne doit-il pas être jeté, ni l'appareil ni ses accessoires, avec vos ordures ménagères.

Contactez vos autorités locales pour les instructions de mise au rebut et de recyclage.

Déposez votre appareil et sa pile auprès des installations de recyclage prévues. Ce dépôt est souvent gratuit.

Mauvais fonctionnement

Si votre appareil ne semble pas fonctionner correctement sans que vous en trouviez la cause ou si vous n'avez pas compris certains points et que vous habitez le Royaume-Uni, appelez notre service d'assistance pendant les heures normales de travail, au numéro : 0844 8009595.

Les appels sont facturés comme des appels normaux.

Nous nous excusons d'avance pour les désagréments causés par les quelques erreurs mineures que vous pourriez rencontrer, généralement dues à un décalage entre la mise à jour du manuel et les constantes améliorations que nous apportons à nos produits.

Kesa Electricals © UK, HU1 3AU 22/ 09 / 2011

Inhoudsopgave

Vorzorgsmaatregelen om teveel blootstelling aan microgolfsstralen te voorkomen	2
Belangrijke veiligheidsvoorzorgen	3
Kookgerei	4
Andere nuttige wenken.....	5
Schoonmaken en onderhoud van uw apparaat	5
Opstellen van uw oven	6
Installatie van de draaitafel	7
Installatie	7
Gebruiksaanwijzing	8
Vragen en antwoorden	9
Problemen oplossen	10
Technische gegevens	11
Belangrijke instructies betreffende het wegwerpen van dit apparaat	12

VOORZORGSMAATREGELEN OM TEVEEL BLOOTSTELLING AAN MICROGOLFSTRALEN TE VOORKOMEN

Dankzij de ingebouwde veiligheidsvergrendeling in de deur kan deze oven kan niet worden gebruikt terwijl de deur openstaat, omdat alle kookfuncties dan uitgeschakeld zijn. Wanneer men de oven zou gebruiken terwijl de deur openstaat, zou dit gevaarlijke blootstelling aan microgolffenergie kunnen teweegbrengen. Het is belangrijk dat er niet met het deurmechanisme wordt geknoeid.

Zet geen voorwerpen tussen de voorzijde van de oven en de deur en verwijder zorgvuldig alle resten van vuil en schoonmaakproducten op de verzegelende oppervlakken.

Gebruik de oven niet wanneer hij beschadigd is. Het is bijzonder belangrijk dat de ovendeur goed sluit en dat (1) de deur (gebogen), (2) de scharnieren en sluitklemmen (stuk of loszitten) en (3) de deurverzegeling en de verzegelende oppervlakken niet beschadigd zijn.

De oven mag door niemand anders worden ingesteld of gerepareerd dan gekwalificeerde technici.

WAARSCHUWING

Bij het opwarmen van vloeistof zoals soep, saus en drank in de magnetronoven kan vertraagd eruptief koken voorkomen zonder dat dit vooraf door geborrel wordt aangekondigd. Hierdoor kan de hete vloeistof plots gaan overkoken. Om dit te voorkomen dient u de onderstaande stappen te volgen:

1. Vermijd containers met rechte zijkanen en een dunne hals.
2. Oververwarm niet
3. Roer de vloeistof alvorens U de container in de oven plaatst en nogmaals halfweg tijdens de opwarmtijd.
4. Laat de container een tijdje in de oven staan na opwarming. Roer of schud de inhoud (vooral zuigflessen en kindervoedsel) en controleer zorgvuldig de temperatuur vóór gebruik.
5. De oven moet regelmatig worden schoongemaakt en voedselrestanten moeten worden verwijderd.
6. Berg niets op in de ruimte van de oven. Berg geen items op, zoals brood, koekjes, enz, in de oven.
7. Dit apparaat mag niet buiten gebruikt worden of opgeborgen.
8. Gebruik de oven niet in de buurt van water, in een vochtige kelder of vlakbij een zwembad.
9. Laat het snoer niet over een rand, tafel of balie hangen.
10. Op kinderen moet toezicht worden gehouden om te voorkomen dat ze met het apparaat spelen.
11. De microwave oven mag niet op een rek worden gebruikt tenzij het op het rek is getest.
12. De apparaten mogen niet worden gebruikt met behulp van een externe timer of apart afstandsbedieningssysteem.

OPMERKING: dit apparaat is uitsluitend bestemd voor huishoudelijk gebruik. Iedere andere vorm van gebruik kan de garantie teniet doen en gevaarlijk zijn.

BELANGRIJKE VEILIGHEIDSVORZORZEN

Lees aandachtig en bewaar voor toekomstig gebruik

- Gebruik de oven niet in lege toestand. Het is beter een glas water in de oven te laten staan wanneer hij niet wordt gebruikt. Dat water absorbeert veilig alle microgolff energie wanneer de oven per ongeluk wordt ingeschakeld.
- Droog geen kledij in de oven. Stoffen kunnen verkolen wanneer zij te lang worden verhit.
- Warm geen etenswaren op die in keukenpapier of papieren servetten zijn ingepakt, tenzij dit in uw kookboek zo wordt aangegeven.
- Gebruik deze oven niet om keukenhanddoeken of papierwaren te drogen. Zij kunnen verbranden.
- Gebruik geen houten houders. Zij kunnen verhitten en verkolen.
- Gebruik geen producten uit gerecycleerd papier in de oven omdat zij onzuiverheden kunnen bevatten die tijdens een bereiding vonken en/of brand kunnen veroorzaken.
- Laat de draaitafel afkoelen voordat u hem schoonmaakt.
- Kleine hoeveelheden eetwaren behoeven een kortere bereidingstijd dan grote hoeveelheden eetwaren. Als de bereidingstijd te lang is kunnen kleine hoeveelheden oververhitten en aanbranden.
- Doorprik de schil van fruit en groenten voordat u ze in de oven bereidt.
- Warm eieren niet op in de schaal. Binnenin zou druk worden opgebouwd waardoor het ei zou gaan barsten.
- Probeer in geen geval in uw oven te frituren.
- Verwijder plastic verpakking van eetwaren voordat u ze gaat bereiden of ontdoien. Let echter wel dat volgens kookboeken soms voorschrijven dat u eetwaren voor het bereiden of ontdoien afdekt met plasticfolie.
- Wanneer u rook ziet of ruikt moet u de oven meteen uitschakelen, de stekker uit het stopcontact trekken en de ovendeur dichthouden om eventuele vlammen te verstikken.
- Wanneer eetwaren worden opgewarmd of bereid in wegwerpverpakking van plastic, papier of andere ontvlambare materialen moet u de oven regelmatig nakijken vanwege een gevaar van brand.

WAARSCHUWING: vloeistof en andere eetwaren mogen niet in verzegelde houders worden opgewarmd vanwege een ontploffingsgevaar.

WAARSCHUWING: sta niet toe dat jonge kinderen deze oven gebruiken zonder toezicht van een volwassene.

WAARSCHUWING: de oven mag niet worden gebruikt wanneer de ovendeur en/of de deurverzegeling beschadigd is. Laat eerst repareren door een gekwalificeerde reparateur.

WAARSCHUWING: probeer niet te knoeien aan of instellingen te wijzigen van de deur, het bedieningspaneel, de veiligheidsschakelaars of andere onderdelen van de oven. Zelf reparaties of onderhoud uitvoeren is gevaarlijk als daarvoor een deel van de behuizing dat bescherming biedt tegen schadelijke microgolffstralen moet worden verwijderd. Laat alle reparaties uitvoeren door gekwalificeerde reparateurs.

KOOKGEREI

Kookgerei moet gecontroleerd op geschiktheid voor gebruik in de magnetronoven. De onderstaande lijst vat het correcte gebruik van kookgerei in uw oven samen:

Kookgerei

Hittebestendig glas, glaskeramiek
 Keramiek, porselein
 Microgolfplastic
 Plasticfolie
 Papierwaren (kop, bord, servet)
 Metalen kookgerei
 Niet-hittebestendig glas
 Riet, vlechtwerk en hout

Magnetron

Ja
 Ja
 Ja
 Ja
 Ja
 Neen
 Neen
 Neen

Magnetron

1. Kookgerei van glas, glaskeramiek en hittebestendig glas is gewoonlijk uitstekend geschikt voor gebruik in de magnetronoven. Voorwerpen met een metalen afwerking of rand mogen niet in de magnetronoven worden gebruikt.
2. Papieren servetten, doeken, borden, koppen, karton en kartonnen dozen mogen in de magnetronoven worden gebruikt. Gebruik echter geen producten die vervaardigd zijn uit gerecycleerd papier, omdat deze onzuiverheden kunnen bevatten die tijdens het opwarmen vonken en/of brand kunnen veroorzaken. (Raadpleeg een microgolfkookboek voor het correcte gebruik van dergelijke producten).
3. Plastic schotels, koppen, diepvrieszakken en plasticfolie mogen in de magnetronoven worden gebruikt. Volg de instructies van de fabrikant of de informatie die in uw kookboek wordt gegeven wanneer u plastic in de magnetron gebruikt.
4. Metalen kookgerei en kookgerei met metaalafwerking mag niet in de magnetron worden gebruikt.

Wanneer het gebruik van aluminiumfolie, spiezen of kookgerei die metaal bevatten in een recept wordt aanbevolen, moet u minstens 2,5 cm tussen het metalen voorwerp en de binnenwand van de oven vrijlaten. Wanneer vonkoverslag (vonken) voorkomt moet u deze voorwerpen onmiddellijk uit de oven verwijderen.

Opmerkingen:

- Wees voorzichtig tijdens het verwijderen van kookgerei of de glazen draaitafel, omdat deze tijdens de werking zeer heet kunnen worden.
- Gebruik alleen een thermometer die geschikt is voor gebruik in de magnetron.
- Let erop dat de draaitafel altijd goed ingezet is voordat u de oven inschakelt.

ANDERE NUTTIGE WENKEN

Voor de beste resultaten en meer kookplezier verzoeken wij deze opmerkingen aandachtig te lezen.

Voor de beste resultaten:

1. Om de bereidingsduur voor een bepaald eetwaar te bepalen kunt u beginnen met een minimumduur en de toestand regelmatig controleren. Omdat magnetrons eetwaren zeer snel bereiden kunnen gerechten gemakkelijk aanbranden.
2. Kleine hoeveelheden eetwaren of eetwaren met een laag vochtgehalte kunnen uitdrogen en hard worden na een te lange bereidingstijd.

Ontdooien van bevroren eetwaren:

1. Eetwaren die bevroren zijn kunnen rechtstreeks in de magnetron worden gezet om te ontdooien. (Zorg ervoor dat alle metalen sluitingen of verpakkingen verwijderd worden).
2. Ontdooi eetwaren volgens de tips voor het ontdooien die u in deze gebruiksaanwijzing vindt.
3. Eetwaren waarvan sommige plaatsen sneller ontdooien dan andere kunt u afdekken met kleine stukjes aluminiumfolie. Dit helpt om het ontdooiproces te vertragen of stoppen.
4. Sommige eetwaren hoeven niet volledig ontdooit te worden voor het bereiden. Vis wordt bijvoorbeeld zo snel gaar dat het soms beter is de bereiding te starten terwijl hij nog wat bevroren is.
5. Misschien is het nodig de bereidingstijd van sommige recepten wat langer of korter te maken, naargelang de begintemperatuur van de eetwaren.

OPMERKING:

De lucht uit de luchtuitlaat kan heet worden tijdens de werking.

Bruineren:

Sommige eetwaren behoeven in de magnetron een te korte bereidingstijd om te kunnen bruineren, zodat een bijkomende kleuring nodig is.

Bestrooien met paprika of bruineermiddelen zoals worcestershiresauce zijn goed voor ribbetjes, vleespasteien of stukjes kip.

Bereid geroosterd vlees, gevogelte of ham gedurende 10-15 minuten of langer: deze bruineren zonder extra toevoegingen.

SCHOONMAKEN EN ONDERHOUD VAN UW APPARAAT

Ontkoppel de elektrische voeding naar de oven voordat u de oven gaat schoonmaken.

De binnenwanden

Verwijder alle kruimels en voedselresten die zich tussen de deur en de oven hebben opgestapeld met een vochtige doek. Let erop dat deze plaats heel goed wordt schoongemaakt zodat de deur goed sluit. Verwijder alle vetvlekken met een doek en sopje, spoel en droog daarna. Gebruik geen schuurproducten omdat deze de behuizing van de oven kunnen beschadigen.

Gebruik alleen een warm sopje om de onderdelen van roestvrij staal schoon te vegen.

Rolrust

De rolrust moet minstens één keer per week worden verwijderd om hem schoon te maken in een heet sopje en te voorkomen het draaien van de wielen wordt verhinderd door vet.

Deur

De deur en de verzegeling moeten te allen tijde schoon worden gehouden. Gebruik alleen een warm sopje om schoon te vegen en droog daarna zorgvuldig. **GEBRUIK GEEN SCHUURPRODUCTEN ZOALS SCHOONMAAKPOEDERS, STAALWOL OF SYNTHETISCHE SPONSEN.**

De metalen onderdelen zijn gemakkelijker te onderhouden wanneer u ze regelmatig schoonveegt met een vochtige doek.

Buitenkant

Maak schoon met een mild, warm sopje. Spoel en droog daarna met een zachte doek. Gebruik geen schuurproducten en mors geen water in de openingen. U veegt een vuil netsnoer schoon met een vaatdoek.

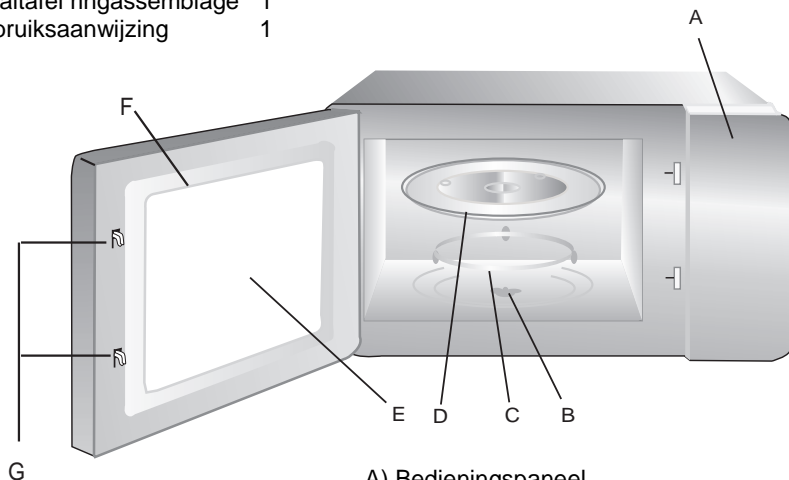
Gebruik alleen een warm sopje om de roestvrij stalen oppervlakken schoon te maken.

OPSTELLEN VAN UW OVEN**Benaming van de onderdelen en accessoires**

Neem de oven en alle zaken uit de doos en de ovenholte.

Uw oven wordt geleverd met de volgende accessoires:

Glazen schaal	1
Draaitafel ringassemblage	1
Gebruiksaanwijzing	1



- A) Bedieningspaneel
- B) Draaitafel schacht
- C) Draaitafel ringassemblage
- D) Glazen schaal
- E) Observatievenster
- F) Deurassemblage
- G) Systeem van de veiligheidsvergrendeling

Installatie van de draaitafel



- Zet de glazen schaal nooit ondersteboven in de oven. De glazen schaal moet te allen tijde vrij kunnen ronddraaien.
- Zowel de glazen schaal als de ringassemblage van de draaitafel moeten altijd in de oven ingezet zijn voordat u hem inschakelt.
- Alle eetwaren en houders worden op de glazen schaal neergezet voor het bereiden of opwarmen.
- Wanneer de glazen schaal of ringassemblage van de draaitafel gebarsten of stuk is moet u contact opnemen met de dichtstbijzijnde erkende serviceafdeling voor vervanging of reparatie.

Installatie op het aanrecht

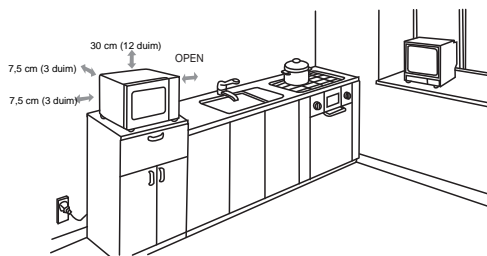
Verwijder alle verpakkingsmateriaal en accessoires. Controleer de oven op beschadiging zoals deuken of een kapotte deur. Installeer de oven niet wanneer hij beschadigd is.

Behuizing: verwijder alle beschermende folie van de buitenzijde van de magnetron. **Verwijder echter de lichtbruine mica-afdekking niet die binnenin de ovenholte is bevestigd om de magnetron te beschermen.**

Installatie

- Kies een vlakke ondergrond met voldoende vrije ruimte voor de in- en uitlaten van de magnetron.

Een minimum vrije ruimte van 7,5 cm (3 duim) tussen de oven en aangrenzende wanden is vereist. Eén zijde moet volledig open zijn.



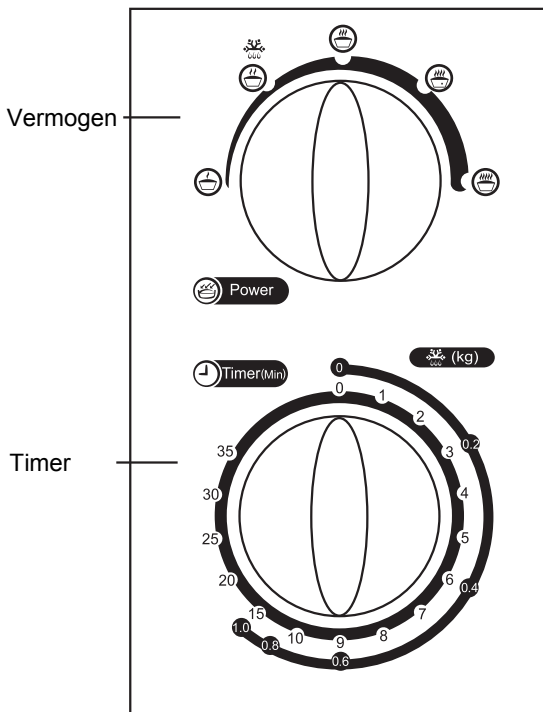
- Laat minimum 30 cm (12 duim) vrije ruimte boven de oven.
 - Verwijder in geen geval de voetjes van de onderzijde van de oven.
 - Als de openingen van de in/uitlaat geblokkeerd zijn kan de oven beschadigd worden.
 - Zet de oven zo ver mogelijk van radio's en tv's. De werking van de magnetron kan storingen in de ontvangst van radio of tv teweegbrengen.
- Stop de stekker van uw oven in een standaard huishoudelijk stopcontact. Controleer vooraf of het voltage en de frequentie van uw netvoeding overeenstemt met die op het informatieplaatje van het apparaat.

WAARSCHUWING: installeer de oven niet boven een fornuis of ander warmtegenererend apparaat. Wanneer u de oven installeert boven of vlakbij een warmtebron kan hij beschadigd worden. Dergelijke schade wordt niet door de garantie gedekt.

DE BEDIENING

Bedieningspaneel en kenmerken

Gebruiksaanwijzing



1. Stel het vermogen in op het gewenste niveau met behulp van de stroomknop.
2. Stel de gewenste of vereiste bereidingstijd in voor uw gerecht door de timerknop te draaien.
3. De magnetron start automatisch de bereiding nadat het vermogen en de timer zijn ingesteld.
4. U hoort een "dong" wanneer de bereidingstijd is verstreken en daarna stopt het apparaat.
5. Schakel de tijd altijd naar de stand "0" wanneer u het apparaat niet gebruikt.

Functie/vermogen	Uitgangsvermogen	Toepassing
Laag ☹	17% micro.	Roomijs zacht maken
Med. laag ☹☹ (ontdooien) ☹	33% micro.	Soep bereiden, boter zacht maken of ontdooien
Med. ☹☹	55% micro.	Stoven, vis bereiden
Med. hoog ☹☹☹	77% micro.	Rijst, vis, kip, gehakt vlees
Hoog ☹☹☹☹	100% micro.	Heropwarmen, melk, water koken, groenten, dranken

Opmerking: bij het verwijderen van eetwaren uit de oven moet men controleren of de oven is uitgeschakeld en de timerschakelaar naar de stand 0 (nul) is gedraaid. Indien men dit niet doet en de oven per ongeluk inschakelt in lege toestand kan de magnetron ernstig oververhitten en beschadigd worden.

VRAGEN EN ANTWOORDEN

V. Wat is er mis als het ovenlampje niet brandt?

- A.** * De lamp is gesprongen.
* De deur is niet dicht.

V. Waarom komt er stoom uit de luchtuitlaat en/of waarom druppelt er water uit de onderkant van de deur?

A. Het is volkomen normaal dat tijdens een bereidingsproces stoom vrijkomt. Hoewel deze magnetron zo is vervaardigd dat de stoom via de openingen aan de zij- en bovenkant kan ontsnappen, kan het toch af en toe gebeuren dat stoom op de ovendeur condenseert, zodat water uit de onderzijde van de deur gaat druppelen. Dit is volkomen normaal en veilig.

V. Gaat microgolffenergie doorheen het kijkvenster in de deur?

A. Neen. Het metalen scherm kaatst de energie terug naar de ovenholte. De openingen of poorten zijn er om licht binnen te laten, zij laten geen microgolffenergie door.

V. Gaat de magnetron stuk wanneer hij in lege toestand inschakelt?

A. Ja. Schakel hem nooit in lege toestand in.

V. Waarom ontploffen eieren soms?

A. Tijdens het bakken of pochieren van eieren is het mogelijk dat de dooier springt door stoomophoping binnenin het dooiervlies. Om dit te voorkomen doorprik u eenvoudig de eierschaal met een tandenstoker voordat u hem in de oven verwarmt. Bereid nooit eieren zonder dat u de schaal heeft doorprik.

V. Waarom moet een gerecht nadat de bereidingstijd is verstreken nog even in de oven blijven staan?

A. De wachttijd is zeer belangrijk.

Bij het koken in de magnetron zit de hitte in de eetwaren en niet in de oven. Veel eetwaren bouwen voldoende interne hitte op om het bereidingsproces verder te zetten, ook nadat zij uit de oven zijn verwijderd. De wachttijd voor grote stukken vlees, grote groenten en cakes dient om volledig te garen zonder dat de buitenkant gaat aanbranden.

V. Waarom bereid mijn oven gerechten niet altijd even snel als een recept voorschrijft?

A. Kijk uw recept opnieuw na en controleer of u de richtlijnen precies heeft gevolgd en wat variaties in de bereidingstijd kan hebben veroorzaakt. De hierin aangegeven bereidingstijden en warmte-instellingen zijn louter suggesties om aanbranden te voorkomen, omdat dit bij magnetrons het vaakst voorkomende probleem is. Variaties in grootte, vorm, gewicht en afmetingen kunnen een langere of kortere bereidingstijd vergen. Gebruik uw eigen oordeel samen met de suggesties in recepten en controleer regelmatig of uw gerecht gaar is, net zoals u dit zou doen met een gewone oven.

V. Waarom komen vonken en gekraak (vonkoverslag) in de oven voor?

A. Er kunnen verschillende oorzaken van vonken en gekraak (vonkoverslag) in de ovenholte zijn.

- U heeft een vork of ander metalen kookgerei in de oven achtergelaten.
- U gebruikt schotels of schalen met metalen onderdelen of afwerking (zilver of goud).
- U gebruikt teveel metaalfolie.
- U gebruikt een metalen sluiting.

Problemen oplossen

Algemeen	
De magnetronoven stoort de tv-ontvangst	De ontvangst van radio en tv kan verstoord worden door een werkende magnetronoven. Dit is hetzelfde principe als kleine elektrische apparatuur zoals een mixer, stofzuiger, elektrische ventilator en dergelijk en is volkomen normaal.
Zwak ovenlampje	In een bereiding op laag microgolfvermogen is het mogelijk dat het ovenlampje minder helder brandt. Dit is volkomen normaal.
Stoom slaat op de deur neer en er komt hete lucht uit de openingen	Tijdens bereidingen is het mogelijk dat stoom uit het voedsel vrijkomt. De meeste stoom verlaat het apparaat via de openingen in de behuizing. Een deel van de stoom kan zich echter op een koudere plaats zoals de ovendeur neerzetten. Dit is volkomen normaal.
De oven schakelde per ongeluk in zonder dat eetwaren waren ingezet	Het is verboden de oven in te schakelen in lege toestand. Dit is zeer gevaarlijk.

Probleem	Mogelijke oorzaak	Oplossing
De oven start niet op.	(1) Het netsnoer is niet stevig op een stopcontact aangesloten.	Trek uit en stop 10 seconden later weer in het stopcontact.
	(2) De zekering is gesprongen of de circuitonderbreking is in werking getreden.	Vervang de zekering of stel de circuitonderbreking terug (dit kan worden gedaan door professionelen van ons bedrijf).
	(3) Probleem met het stopcontact.	Probeer het stopcontact met andere elektrische apparaten.
De oven warmt niet op.	(4) De deur is niet goed gesloten.	Sluit de deur goed.
De glazen draaitafel maakt lawaai wanneer de oven is ingeschakeld.	(5) Vuile rolrust en ovenbodem.	Verwijd naar "Onderhoud van de magnetron" voor het schoonmaken van vuile onderdelen.

Voordat u contact opneemt met een reparatieservice

Bekijk de onderstaande korte checklijst. Misschien heeft het probleem dat u ondervindt niets met de magnetron zelf te maken. Door enkele zaken te controleren kunt u zich misschien de moeite besparen van een reparatieservice te zoeken.

Probleem

De oven werkt helemaal niet.

Kijk het volgende na:

- of de stekker stevig in het stopcontact is gestopt.
- of de oven deur goed gesloten is.
- of een bereidingstijd is ingesteld via de timer.
- of de zekering in de stekker niet gesprongen is.
- of de circuitonderbreking in uw woning niet is gesprongen.

Probleem

"Vonkoverslag" of vonken binnenin de ovenholte.

Kijk het volgende na:

Borden, schalen, schotels enz. die gemaakt zijn uit metaal of een metalen afwerking hebben mogen niet in de magnetron worden gebruikt.

Metalen spiezen moeten afgedekt zijn met eetwaren en mogen tijdens het ronddraaien niet in aanraking komen met de ovenwand. Wanneer "vonkoverslag" opnieuw voorkomt moet u de spiezen verwijderen tot het gerecht klaar is. Verwijder alle metalen keukengerei uit de oven.

TECHNISCHE GEGEVENS

Ingangvermogen:	230 V ~ 50 Hz, 1270 W
Uitgangvermogen:	800 W
Microgolffrequentie:	2450 MHz
Buitenafmetingen:	258 mm (H) x 433 mm (B) x 345 mm (D)
Afmetingen ovenholte:	209 mm (H) x 306 mm (B) x 292 mm (D)
Oveninhoud:	20 liter
Netto gewicht:	Ong. 10 kg

BELANGRIJKE INSTRUCTIES BETREFFENDE HET WEGWERPEN VAN DIT APPARAAT



Als een verantwoordelijke verkoper geven wij om het milieu.

Daarom sporen wij onze klanten aan de juiste procedure te volgen voor het wegwerpen van uw apparaat en de verpakkingsmaterialen. Dit helpt natuurlijke grondstoffen te besparen en ervoor te zorgen dat uw apparaat wordt gerecycleerd op een manier die de gezondheid en het milieu beschermt.

U moet dit product en de verpakking ervan wegwerpen in overeenstemming met de plaatselijke wetgeving en reglementering.

Omdat dit product elektronische onderdelen bevat mogen het product en de accessoires ervan aan het einde van de gebruiksduur niet als huisvuil worden behandeld.

Neem contact op met uw plaatselijke overheid om meer te weten over het wegwerpen en de recyclage van bruin- en witgoed.

Dit product dient te worden teruggebracht naar een plaatselijk inzamelpunt vanwaar het kan worden gerecycleerd. Sommige inzamelpunten nemen apparatuur gratis terug.

Wanneer iets niet lijkt te werken

Wanneer er iets met uw apparaat is dat u niet begrijpt en u woont in het Verenigd Koninkrijk, dan kunt u tijdens de gewone kantooruren bellen naar: 0844 8009595.

Standaardtarieven gelden voor deze oproepen.

Wij verontschuldigen ons voor eventuele ongemakken als gevolg van kleine onnauwkeurigheden die in deze gebruiksaanwijzing kunnen voorkomen omdat wij onze producten voortdurend verder ontwikkelen en verbeteren.

Kesa Electricals © UK, HU1 3AU 22/ 09 / 2011