

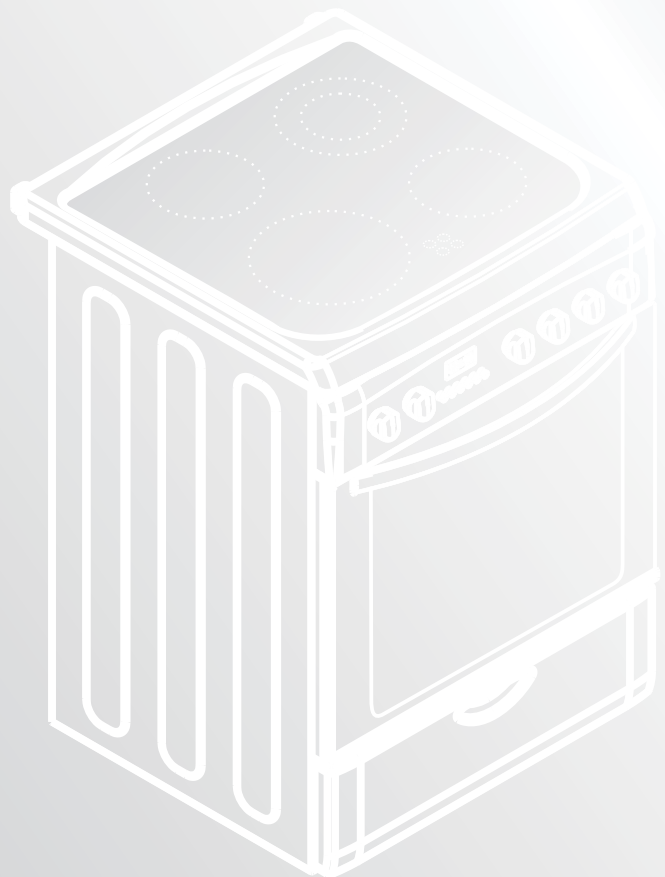
ROSIÈRES

USER INSTRUCTIONS
COOKERS

GB

NOTICE D'EMPLOI ET D'INSTALLATION
CUISINIÈRES

FR



Safety Instructions	03
1. General Warnings	04
1.1. Symbols Used In This User Manual	04
1.2. Declaration Of Compliance	04
1.3. Safety Hints	04
1.4. Useful Tips	04
1.5. Technical Data	04
2. Installation	05
2.1. Positioning	05
2.2. Feet Adjustment	05
2.3. Dimensions Of The Appliance	05
2.4. General Appearance And Definition Of The Appliance	05
2.5. Cookers Without Energy Cable	06
2.6. Electrical Connection	06
3. Vitroceramic Cooktop	07
3.1. Description Of Cooking Zones	07
3.2. Cooktop Cookware Advice	07
3.3. The Choice Of Cookware	07
3.4. Control Knobs Of The Vitroceramic Cooktop	07
4. Use Of The Oven	08
4.1. Grilling	08
4.2. Suggestions For Cooking	08
4.3. Cooking Cake	08
4.4. Cooking Pizza	08
4.5. Cooking Fish	08
4.6. Cooking Meats	08
4.7. Cooking Turn Spit	08
4.8. Using The End Of Cooking Timer	09
4.9. Using The Minute Timer	09
4.10. Use Of The Electronic Programmer	09
4.11. Electric Oven	09
4.12. Cooking Tables	10
5. Cleaning And Maintenance	11
5.1. Catalytic Self - Cleaning Oven	11
6. Service Centre & Troubleshooting	12
7. Protection Of The Environment	12

Conseils De Sécurité	13
1. Recommandations Générales	14
1.1. Symboles Utilisés Dans Ce Mode D'emploi	14
1.2. Déclaration De Conformité	14
1.2. Déclaration De Conformité	14
1.3. Conseils De Sécurité	14
1.4. Quelques Conseils Utiles	14
1.5. Données Techniques	14
2. Installation	15
2.1. Placement	15
2.2. Ajustement Des Pieds	15
2.3. Dimensions De L'appareil	15
2.4. Apparence Générale Et Définition De L'appareil	15
2.5. Cuisinières Sans Câble Électrique	16
2.6. Connexion Électrique	16
3. Surface De Chauffe Vitrocéramique	17
3.1. Description Des Zones De Cuisson	17
3.2. Conseils Relatifs À La Batterie De Cuisine Et Au Plan De Cuisson	17
3.3. Le Choix De La Batterie De Cuisine	17
3.4. Bouton De Contrôle Du Plan De Cuisson Vitrocéramique	17
4. Utilisation Du Four	18
4.1. Gril	18
4.2. Suggestions De Cuisson	18
4.3. Cuire Des Gâteaux	18
4.4. Cuisson Pizza	18
4.5. Cuire Les Poissons	18
4.6. Cuire Les Viandes	18
4.7. Cuisson Au Tournebroche	18
4.8. Utilisation De La Minuterie De Fin De Cuisson	19
4.9. Utilisation De La Minuterie	19
4.10. Utilisation Du Programmeur Électronique	19
4.11. Four Électrique	19
4.12. Tables De Cuisson	20
5. Nettoyage Et Entretien	21
5.1. Four Catalytique Autonettoyant	21
6. Centre De Maintenance Et Résolution De Problèmes	22
7. Protection De L'environnement	22

SAFETY INSTRUCTIONS

WARNING: The appliance and its accessible parts become hot during use. Care should be taken to avoid touching heating elements.

- Children under 8 Year of age must be kept away from the appliance unless they are continuously supervised.
- This appliance can be used by children aged from 8 years and above and persons with reduced physical, sensory or mental capabilities or lack of experience and knowledge if they have been given supervision or instruction concerning use of the appliance in a safe way and understand the hazards involved.
- Children must not play with the appliance.
- Cleaning and user maintenance shall not be made by children without supervision.
- **WARNING:** Unattended cooking on a hob with fat or oil can be dangerous and may result in fire.
- **NEVER** try to extinguish a fire with water, but switch off the appliance and then cover flame e.g. with a lid or a fire blanket.
- **WARNING:** Danger of fire: do not store items on the cooking surfaces.
- **WARNING:** If the surface is cracked, switch off the appliance to avoid the possibility of electric shock.
- During use the appliance becomes hot. Care should be taken to avoid touching heating elements inside the oven.
- **WARNING:** Accessible parts may become hot during use. Young children must be kept away.
- Do not use harsh abrasive cleaners or sharp metal scrapers to clean the oven door glass since they can scratch the surface, which may result in shattering of the glass.
- The internal bottom surface of the drawer can get hot.
- The oven must be switched off before removing the guard, after cleaning, the guard must be replaced in accordance with the instructions.
- Only use the temperature probe recommended for this oven.
- Do not use a steam cleaner for cleaning operations
- Any spillage should be removed from the lid before opening.
- The hob surface must be allowed to cool down before closing the lid.
- If present, do not stare into halogen lamp hob elements.
- **WARNING:** Avoid possibility of electric shock - ensure the appliance is switched off before replacing the lamp
- If the range is placed on a base, measures must be taken to prevent the appliance slipping off the base.
- A mean for disconnection from the supply mains having a contact separation in all poles that provide full disconnection under overvoltage category III conditions, must be incorporated in the fixing wiring in accordance with the wiring rules.
- The instructions state the type of cord to be used, taking into account the temperature of the rear surface of the appliance.
- If the supply cord is damaged, it must be replaced by a special cord or assembly available from the manufacturer or its service agent.
- **CAUTION:** In order to avoid a hazard due to inadvertent resetting of the thermal cutout, this appliance must not be supplied through an external switching device, such as a timer, or connected to a circuit that is regularly switched on and off by the utility.
- "CAUTION: Accessible parts may be hot when the grill is in use. Young children must be kept away".
- **WARNING:** In order to prevent tipping of the appliance, stabilizing means must be installed. Please refer to the instructions on page 23 of this manual

1. GENERAL WARNINGS

Thank you for choosing one of our products. To get the most out of your cooker we recommend that you:

- Read the notes in this manual carefully: they contain important instructions on how to install, use and service this cooker in safety. Keep this booklet in a safe place for easy, future reference.
- In the case of the sale or transfer of the appliance, this manual should be given together with the appliance in order to guarantee the proper transfer of the information on installation/usage of the appliance and the relative warnings.
- Take care to not touch these elements. When the cooker is first switched on it may give off acrid smelling fumes-this smoke is harmless we suggest to operate the cookers for 2 hours while empty.

1.1. SYMBOLS USED IN THIS USER MANUAL

For easier comprehension, the symbols below are used in this user manual.



Safety Information



Information for Environment Protection



This appliance complies with the EU E.E.C directives.



Caution, possibility of tilting



Anti-tip restraints

1.2. DECLARATION OF COMPLIANCE

All parts of this appliance that may come into contact with foodstuffs comply with the provisions of EEC Directive 89/109. The appliance complies with European Directives 2006/95/EC and 2004/108/EC, and subsequent amendments. The appliance also complies with 93/68 General Directives and subsequent amendments.

1.3. SAFETY HINTS

- The cooker must be used only for the purpose for which it was designed: it must only be used for cooking food. Any other use, e.g. as a form of heating, is improper use of the cooker and is therefore dangerous.
- The manufacturers cannot be held responsible for any damage caused by improper, incorrect or unreasonable use.
- When using any electrical appliance you must follow a few basic rules. If the appliance breaks down or develops a fault switch it off, disconnect it from mains, do not touch it, call the authorised Service.
- Always use gloves to remove food from the oven.
- Always keep your appliance clean, for safety and health reasons. Fat and food residues may cause fire.
- Do not insert your hand between oven hinges. Keep children away.
- Make sure that all the knobs are in the OFF position when the appliance is not in use.
- The oven drawer is to store empty trays or to keep food warm.
- Do not put flammable, explosive or cleaning materials like nylon bags, paper, cloths, etc, into the drawer.
- Use only heat resistant pots and pans. Do not use flammable materials.
- It is dangerous to modify or to attempt to modify the properties of the appliance.
- Particular attention is necessary when you are frying: do not leave the appliance unattended.
- The appliance is heavy. Take care when moving.
- The emission of hot air is normal while the appliance is working. Do not close the vents on the oven.
- Some spillage on the appliance may occur, when placing food on or into the appliance or when removing food with excess fat or water. Clean such residues immediately after cooking, in order to prevent unpleasant smells and possible fires.
- When using any electrical appliance you must follow a few basic rules:
 - *It is not generally a good idea to use adapters, multiple sockets for several plugs and cable extension.
 - *Do not pull the power cable to remove the plug from the socket.

- *Do not touch the oven with wet or damp hands or feet.
- *If the main cable is damaged it must be replaced promptly:
- *When replacing the cable, follow the instructions given

below:

*Cable replacement must be carried out by qualified technicians. Use only an approved service centre for repairs and ensure that only original parts are used.

- *When necessary, remove the power cable and replace it with one of the H05RRR-F, H05VVF, and H05V2V2-F type. The cable have the capacity for the electrical current required by the product.
- *Do not leave the appliance unattended before it has cooled down.



If the above instructions are not adhered to, the manufacturer cannot guarantee the safety of the cooker.

1.4. USEFUL TIPS

- Do not use deformed or unbalanced pans.
- Clean the grill and the fat collecting tray carefully before initial usage.
- When using cleaning sprays, do not spray on heaters or on the thermostat.
- Make sure that oven shelves are correctly placed.
- Do not cover oven parts with aluminium foil.

1.5. TECHNICAL DATA

FEATURES	TOTAL ELECTRIC POWER
60 x 60 4 Hilight Heater and Electrical Oven	8.4 kW
50 x 60 4 Hilight Heater and Electrical Oven	7.6-7.8 kW

Rating plate (located at the rear of the cooker)

2. INSTALLATION

Installation have to be made by qualified personnel. The manufacturer have no obligation to carry this out. If the assistance of the manufacturer is required to rectify faults arising from incorrect installation, this assistance is not covered by the guarantee.

The installation instructions for professionally qualified personnel must be followed. Incorrect installation may cause harm or injury to people, animals or belongings. The manufacturer cannot be held responsible for such harm or injury.

WARNING! Care must be taken regarding where the appliance is placed! It can only be installed in a continuously ventilated room.

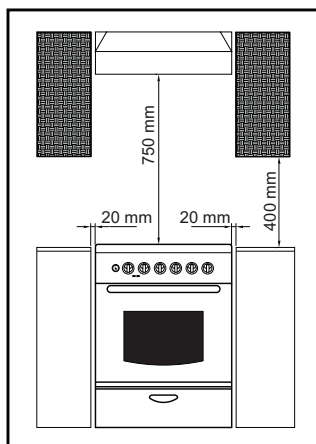
Electrical connections must always be disconnected before any repair, installation or modification.

•Before positioning your appliance, check the properties of the energy supply and make sure that your appliance is regulated accordingly.

•The appliance must not be installed near flammable materials (e.g. furniture, curtains, etc.)

•If the range is placed on a base, measures must be taken to prevent the appliance slipping off the base.

2.1. POSITIONING

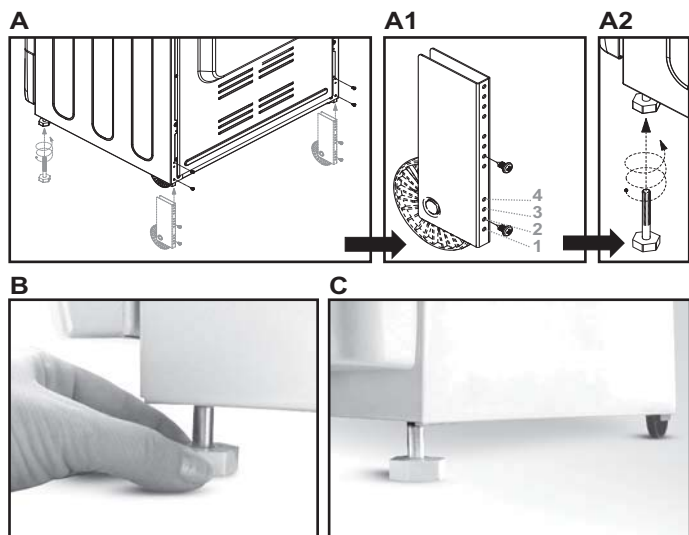


2.2. FEET ADJUSTMENT

Your appliance has adjustable feet at the lower corners of its chassis.

•The feet can be adjusted individually with the aid of a wrench to guarantee that the oven is perfectly balanced and levelled, so that any liquids in the pans is horizontal.

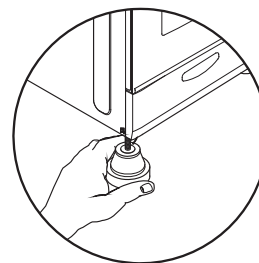
Adjustable feet and wheels.



•The maximum height of cooker will be 868mm by fixing the adjustable front feet and rear wheels to the 4th hole.

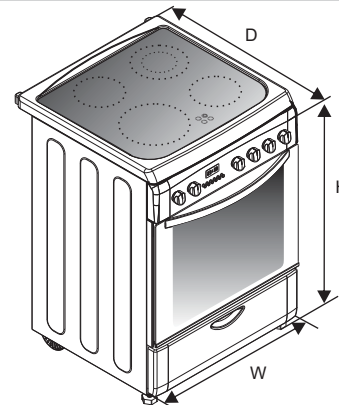
•Rear wheels should be fixed to the 2nd hole (picture A1), standard height. Thus, standard height will be 850 mm.

Adjustable feet.



2.3. DIMENSIONS OF THE APPLIANCE

	60 x 60	50 x 60
Height (mm)	850	850
Width (mm)	598	510
Depth (mm)	600	600

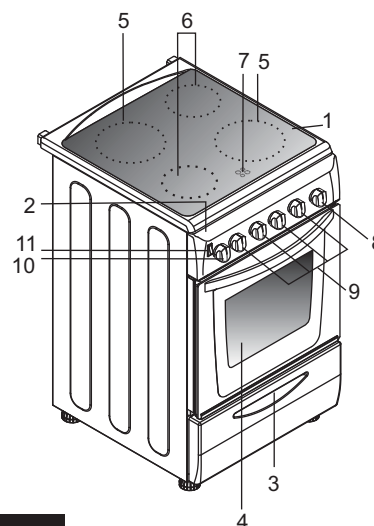
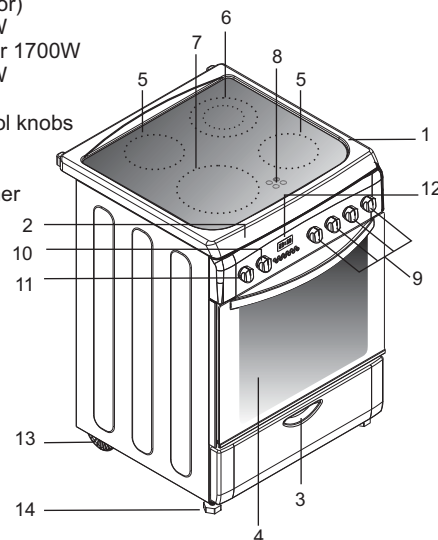


2.4. GENERAL APPEARANCE AND DEFINITION OF THE APPLIANCE

This User Manual has been drawn up as a guide for several models. Some of the properties mentioned in this manual may not exist in your appliance.

60 x 60 COOKER

- 1- Cook top
- 2- Control panel
- 3- Drawer
- 4- Oven door (Front door)
- 5- Hilight Heater 1200W
- 6- Double Hilight Heater 1700W
- 7- Hilight Heater 2300W
- 8- Warning Lamps
- 9- Hilight heaters control knobs
- 10- Oven knob
- 11- Thermostat knob
- 12- Electronic programmer
- 13- Moving Foot
- 14- Bolt Foot

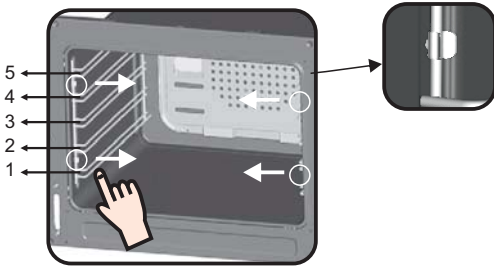


50 x 60 COOKER

- 1- Cook top
- 2- Control panel
- 3- Drawer
- 4- Oven door (Front door)
- 5- Hilight Heater 1800W
- 6- Hilight Heater 1200W
- 7- Warning Lamp
- 8- Timer knob
- 9- Hilight heaters control knobs
- 10- Oven knob
- 11- Fan knob

REMOVING AND CLEANING WIRE RACKS

- 1- Remove the wire racks by pulling them in the direction of the arrows (see below)
- 2- To clean the wire racks either put them in the dishwasher or use a wet sponge, ensuring that they are dried afterwards.
- 3- After the cleaning process install the wire racks in reverse order.



2.5. COOKERS WITHOUT ENERGY CABLE

Cable box connection types

1- Monophase connection



2- Three-phase connection



Attention: A poor clamping can draw away risks dangerous heating at the level of the cable feeding



	Monophase 220-240 V~	Three-phase 380-415V3N~
Cable - Section	3 G 4 mm ²	5 G 1.5 mm ²
Cable - Type	H05VV-F ou H05RR-F	H05VV-F ou H05RR-F
	<p>L1 : Phase shunt 1-2 and shunt 2-3 N : Neutral shunt 4-5 T Earth</p>	<p>1 Phase 2 Phase 3 Phase 5 Neatural shunt 4-5 T Earth</p>

2.6. ELECTRICAL CONNECTION

Cookers can be presented with or without energy cable. Cable connection should be done by Autorited service according to following instructions.

The electrical connection must be made according to the standards and regulations in force. Before making the electrical connection, check the following:

- Is the capacity of the electrical connections and safety fuses in the building sufficient to cope with the load of the appliance? (Check with the adhesive info label)
- Does the electricity supply line have an earth connection conforming with the standards in force? A proper earth connection must exist in your home. If there is not a proper earth connection at your home, please apply to an authorized technician to deal with this problem.
- Is the socket or the multi-pole switch at a easily reachable point after the installation of the appliance?
- A plug conforming to standards should be connected to the mains cable and the cable should be inserted into a safe socket.
- A multi-pole switch must be used between the appliance and the electricity line if a direct electrical connection to the appliance is required. (It must comply with standards and be appropriate for the load)

The green-yellow ground cable must not be interrupted by a switch. The brown phase cable (from the "L" coded connector of the oven) must always be connected to the phase line of the mains.

•The power line must be positioned so that it is not exposed to temperatures higher than 50° C.

•When the power cable must be changed, a cable with a cross section appropriate to the indicated power must be used. The green-yellow ground cable should be approximately 2 cm longer than phase and neutral cables.

•Check the heaters by switching them on for 3 minutes, after having completed the connection.

•The manufacturer will not accept responsibility for damages arising due to non-compliance with the safety standards.

If an appliance is not fitted with a supply cord and a plug, or with other means for disconnection from the supply mains having a contact separation in all poles that provide full disconnection under overvoltage category III conditions, the instructions shall state that means for disconnection must be incorporated in the fixed wiring in accordance with the wiring rules.

3. VITROCERAMIC COOKTOP

3.1. DESCRIPTION OF COOKING ZONES

Highlight zone

A metallic conductor strip is spread uniformly over the whole surface unit. It is effective within 3 seconds and is suitable for steady, even and also lengthy cooking.

The glass-ceramic cook top benefits from greater heat output which is generated by the highlight cooking zones thereby accelerating the cooking process. Modifications to the design of the hob have not affected the capacity of the glass to withstand high temperatures, but they have improved controllability.

With the "Sprinter" facility, reduced cooking times of up to 15% can be achieved, depending on the method of cooking and the type of saucepans used.

•Multi-circuit heating elements offer the advantage that several cooking zone sizes can be used with one heating element.

3.2. COOKTOP COOKWARE ADVICE

Efficient cooking

The extra large highlight zone, will depending on the dimensions of the cook ware and/or the quantity of food being cooked, provide even higher performance levels.

Using good quality cookware is critical for obtaining the best performance from your hob.



Use pans with a large enough diameter to completely cover the surface unit the size of the pan should be no smaller than the heated area. If it is slightly wider the energy will be used at maximum efficiency.

3.3. THE CHOICE OF COOKWARE

The following information will help you to choose cookware which will give good performance.

Stainless Steel

Highly recommended. Especially good with a sandwich clad base. The sandwich base combines the benefits of stainless steel (appearance, durability and stability) with the advantages of aluminium or copper (heat conduction, even heat distribution).

Aluminium

Heavy weight recommended. Good conductivity. Aluminium residues sometimes appear as scratches on the cook top but can be removed if cleaned immediately. Because of its low melting point, thin aluminium should not be used.

Cast Iron

Usable, but not recommended. Poor performance. May scratch the surface.

Copper Bottom / stoneware

Heavy weight recommended. Good performance, but copper may leave residues which can appear as scratches. The residues can be removed, as long as the hob is cleaned immediately. However, do not let these pots boil dry. Overheated metal can bond to glass hobs. An over heated copper pot will leave a residue that will permanently stain the cook top.

Ensure that the base of the pot or pan is dry

when filling pans with liquid or using one that has been stored in the refrigerator, ensure that the base of the pan is completely dry before placing it on the hob. This will help to avoid staining the cook top.

Always use good quality cookware with perfectly flat and thick bases

Using this type of cookware will prevent hot spots that cause food to stick. Thick metal pots and pans will provide even distribution of heat.

Porcelain/enamel

Good performance only if the base is thin, smooth and flat.

Glass-ceramic

Not recommended. Poor performance. May scratch the surface.

Suitability of Cooking Pans

Keep in mind that larger pans have larger heating surfaces.

This will help them to cook the food faster than pans with smaller heating surfaces.

Always use pan sizes proportionate to the amount of the food to be cooked. In order to prevent splashing, do not use very small pans, especially for foods with excess liquid. If you use excessively large pans for quick cooked foods, sausages and liquids will stick and residues will remain attached to the pan after being emptied.

Closed pans and baking trays or moulds are suggested for cooking sweets. Splashed sugar and juices from an open pan may stick to the cooker surface and will be difficult to remove. This is especially important for pans used for roasting or pressurized cooking at high temperature.

Do not leave burners unattended without a pan or with an empty pan on top.

Check the suitability of cooking pans with respect to the following criteria;

They should be heavy.

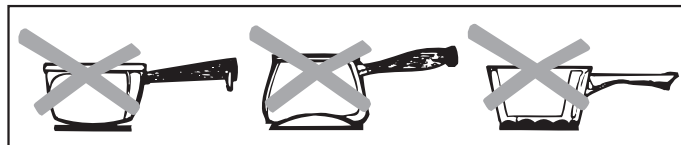
They should completely cover the burner surface; they may be a little bigger but no smaller.

Base surfaces should be completely flat and fit well on the cooking surface.

•Some parts of the food may be heated while others remain cold due to the uneven distribution of heat under the pan. Therefore, continuous stirring of the food being cooked is necessary in the case of thin-bottomed pans. Heat is more effectively and evenly distributed with thick-based pans.

•Use of very small pans is not recommended. Wider, low-sided pans are more suitable for more effective and quicker cooking than small, deep pans.

•You cannot shorten cooking time by using a small pan over a large burner. You will only waste gas in this way. However, a pan with a lid will save energy.



3.4. CONTROL KNOBS OF THE VITROCERAMIC COOKTOP

HOW TO OPERATE THE COOKTOP

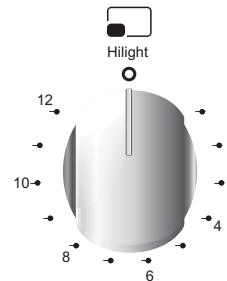
Locate the sign corresponding to the cooking zone that you need.

Turn the control knob to the required cooking setting.

Initially we recommend that the heat zone be set at the highest position until the contents of the saucepan have reached the required temperature; the heat can then be reduced to the required cooking setting.

The residual heat indicator light will come on when the cook top surface temperature reaches 60 degrees or above.

It will remain on even if the cook top is switched off and will only go out when the cook top surface has cooled down.



Position	Some Tips
1 1-2 Very Low	To keep a dish hot, melt butter and chocolate...
2 3-4 Low	Slow cooking, sauces, stews, rice pudding poached eggs...
3 5-6 Moderate	Beans, frozen foods, fruit, boiling water...
4 7-8 Medium	Steamed apples, fresh vegetables, pasta, crepes, fish...
5 9-10 High	More intense cooking, omelettes, steaks...
6 11-12 Very High	Steaks, chops, frying...


To switch off the cook top, turn the knob to "O".

- The oval heating zone consists of two heating areas: a circular area and an oval shaped section. Turn the control knob from 1 to 12 to regulate the circular area. To operate the oval section, simply turn the control knob to position 12 and then select a position from 1 to 12.
- The heating area consists of two concentric zones. The inner circle is activated when the knob is turned to any of the positions from 1 to 12. The outer ring will only be activated when the control is turned beyond 12 up to a maximum power.

4. USE OF THE OVEN

4.1. GRILLING

- Grilling gives food a rich brown colour quickly. Depending on the quantity of the food, you can switch the grill on to different positions. Almost all food can be cooked under the grill except for very lean game and meat rolls.
- Meat and fish that is going to be grilled should first be lightly doused with oil.
- Place a fat collecting tray beneath during grilling. Put some water into the tray to prevent unpleasant smells and to prevent the fat catching fire.
- Grilling is usually preferred for cooking pieces of meat, for example steaks, which are not too thick, different sized meat parts, cleaved hunted birds, fish, some vegetables (e.g. courgettes, aubergines, tomatoes, etc.) together with meat and fish products on spits.
- Oil the fish lightly before putting it directly under the grill.
- Add salt on meat after cooking, salt fish into the cleavage before cooking.
- The distance from the grill will depend on the thickness of the meat or fish. If the distance is correctly judged, the outer parts will not be burnt and the inside will not remain raw.
- Prevent unpleasant odours and smoke caused by dripping fats and sauces by pouring 1-2 glass of water into the fat-collecting tray.
- You can also use the grill for toasting, toasted bread or sandwiches, for example, and also to cook certain fruits (bananas, grapefruit or pineapple slices, apples etc.). However, fruit must not come into contact with the heating elements.



Never cover oven inner walls or the bottom with aluminium foil. Accumulated heat can damage the oven enamel and your meal.

4.2. SUGGESTIONS FOR COOKING

Traditional Cooking

Heat is generated from the upper and lower heaters. Generally, the middle shelf position is preferable for cooking. However, if the top or bottom surface of the food must be cooked more, place it on the upper or lower shelf.

Convection Cooking (with Fan)

- The food is cooked by evenly distributed preheated air blown into the oven by the help of the fan located on the inside back wall of the oven.
- It is possible to cook several dishes simultaneously on different shelves thanks to the evenly distributed heat inside the oven.
- This type of oven is also very useful for defrosting frozen food. It can also be used for sterilizing canned food, preparing fruit syrups, and dehydrating fruits and mushrooms.

4.3. COOKING CAKES

•Unless otherwise suggested, preheat the oven for at least 10 minutes before use. Do not open the oven door when cooking cakes otherwise they will not rise (cakes or dishes with yeast and soufflés). The blast of cold air which will enter the oven will prevent rising. You can check whether cakes are properly cooked by inserting a rod into the dough. If the rod comes out dry when you pull it out, it means that the cake is properly cooked. Do not check in this way until at least three quarters of the cooking time has elapsed.

Please keep in mind the following tips

- If the surface of the food is cooked well but it is still raw or partly raw inside, it must be cooked longer at a lower temperature.
- On the other hand, if the surface of the food is too dry, it should be cooked at a higher temperature for a shorter time.

4.4. COOKING PIZZA

- Thermostat setting at maximum
- Preheating time 15 min (20 min if possible)
- Position of the tray in either one of the two lowest position
- Cooking time 20 min.

4.5. COOKING FISH

Small fish can be cooked at the maximum temperature from start to finish. Medium sized fish must be cooked at the maximum temperature at the beginning and then the temperature must be slowly reduced. Larger fish must be cooked at lower temperatures from start to finish. Check the cut at the bottom of fish to understand whether it is cooked properly. In order to understand whether the fish properly grilled or not, check the cleavage at the bottom of the fish. The colour (for grilled fish) should be an even matt white. This is not the case for salmon and trout.

4.6. COOKING MEATS

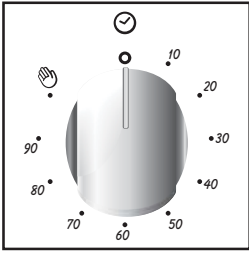
- The minimum quantity of meat to be cooked in the oven is 1 kg. Otherwise, the meat will be too dry.
- If you require well done meat, use less fat. If meat has a little fat, there is no need to use oil. If one side of the meat is fatty, place this side up. The melted fat will sufficiently grease the part below. Red meats should be taken out of the fridge at least 1 hour before the cooking.
- Otherwise the meat may become tough due to the temperature difference. Do not use salt before cooking, especially when grilling meat. Salt will draw the blood and juices out of the meat which will consequently prevent the roasting of the upper surface of the meat.
- Add salt to roast meat only after half of the cooking time has elapsed.
- Place the meat to be roasted in a wide, shallow pan.
- Deep sided containers / pans act as a shield against the heat. Meat can be placed in the oven in a heat resistant pan or directly onto the grill. Insert a fat / gravy collecting tray beneath the grill. Sauces must be added at the beginning if the food is cooked for a short time, while it would be better to add sauces in the last half hour if the food is cooked for a longer time.

4.7. COOKING TURN SPIT

- The cooker is equipped with a metal turnspit, two forks and a hook used to support the spit.
- Instruction for use:
 - Remove all accessories from the oven;
 - Put the deep pan on the bottom of the oven or on the lowest bench;
 - Stick the turnspit through the meat, centered between the two forks;
 - Fix the turnspit into the drive hole located in the bottom wall, then hang the support hook in the drive located at the top front of the oven cavity and around the edge of the turnspit.
 - Preheating is not necessary with the turnspit.
 - Cooking Time Recommended In Turnspit Position;

Cooking time (min)	Electric Oven
Beef (1kg)	20/30
Lamb, sheep (1kg)	30/40
Veal, Poultry (1kg)	60/70
Pork (1 kg)	65/75

4.8. USING THE END OF COOKING TIMER



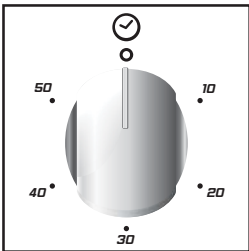
This control enables to set the desired cooking time (max. 90 min.) the oven will automatically switch off at the end of the set time.

The timer will count down from the set time return to the **O** position and switch off automatically.

For normal use of oven set the timer to the **O** position.

To set the oven ensure the timer is not on the **O** position.

4.9. USING THE MINUTE TIMER



To set the cooking time, turn dial one complete revolution and then position the index to the required time. When the times has lapsed, the signal will ring for a few seconds.

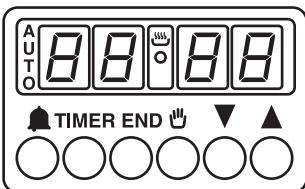
4.11. ELECTRIC OVEN

Position	Oven Function
F	Function
°C	Temperature
	Cooking time
O	Not in function
	Turn spit and grill heater
	Lamp
	Grill heater
	Grill heater and fan
	Fan
	Upper heating element and fan
	Lower heating element and fan
	Upper heating element, lower heating element and fan
	Lower and upper heating element
	Upper heating element
	Lower heating element
	Manual
	Pizza

4.10. USE OF THE ELECTRONIC PROGRAMMER

FUNCTION	HOW TO ACTIVA	HOW TO SWITCH IT OFF	WHAT IT DOES	WHAT IT IS FOR
MINUTE MINDER	<ul style="list-style-type: none"> •Press and hold the button •Press the buttons or to set the required time •Release all the buttons 	<ul style="list-style-type: none"> •When the set time as elapsed an audible alarm is activated (this alarm will stop on its own, however it can be stopped immediately by pressing the button) 	<ul style="list-style-type: none"> • Sounds an alarm at the end of the set time. • To check how long is left to run press the button 	<ul style="list-style-type: none"> •Allows to use the oven as alarm clock (could be activated either with operating the oven or with out operating the oven)
MANUAL FUNCTION	<ul style="list-style-type: none"> •Press the button •Set the cooking function with the oven function selector 	<ul style="list-style-type: none"> •Turn the oven function selector to position "O" 	<ul style="list-style-type: none"> •Enables you to operate the oven. 	<ul style="list-style-type: none"> •For cooking the desired recipes
COOKING TIME	<ul style="list-style-type: none"> •Press and hold the TIMER button •Press the buttons or to set the lenght of cooking required •Release all buttons •Set the cooking function with the oven function selector 	<ul style="list-style-type: none"> •When the time is elapsed the oven will switch off automatically. Should you wish to stop cooking earlier either turn the function selector to 0, or set time to 0:00(TIMER and / buttons) 	<ul style="list-style-type: none"> •It allows to preset the cooking time required for the recipe chosen. •To check how long is left to run press the TIMER button. •To alter/change the preset time press TIMER and / buttons 	<ul style="list-style-type: none"> •At the end of the cooking set time, the oven will switch off automatically and an audible alarm will ring.
END OF COOKING	<ul style="list-style-type: none"> •Press and hold the END button •Press the buttons / to set the time at which you wish the oven to switch off •Release the buttons •Set the cooking function with the oven function selector 	<ul style="list-style-type: none"> •At the time set, the oven will switch off. To switch off manually, turn the oven function selector to position "O". 	<ul style="list-style-type: none"> •Enables you to set the end of cooking time •To check the preset time press the END button •To modify the preset time press buttons END+ / 	<ul style="list-style-type: none"> •This function is typically used with "cooking time" function. For example if the dish has to be cooked for 45 minutes and needs to be ready by 12:30, simply select the required function, set the cooking time to 45 minutes and the end of cooking time to 12:30. •Cooking will start automatically at 11:45 (12:30 minus 45 mins) and will continue until the preset end of cooking time, when the oven will switch itself off automatically WARNING! If the END of cooking is Selected without setting the length of cooking time, the oven will start cooking immediately and it will Stop at the END of cooking time set.

Setting the correct time:

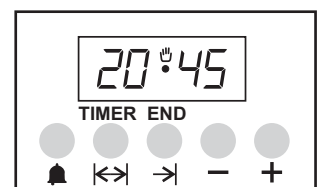


WARNING : the first operation to carry out after the oven has been installed or following the interruption of power supply (this is recognizable the display pulsating and showing 0:00) is setting the correct time. This is achieved as follows

- Press and hold the TIMER and END buttons (and)
- Set time with / buttons
- Release all buttons

ATTENTION the oven only operates if set on manual function or preset time. N.B.: on some models the symbols / are replaced by and .

In the programming of a timer with 5 buttons, for manual function, press "TIMER" and "END" buttons simultaneously

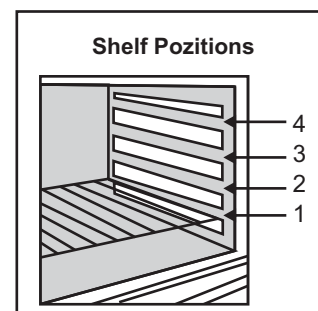


4.12. COOKING TABLES

Traditional and Hot Air Circulation Cooking Methods; Weights (Gr)

TYPE OF THE FOOD Traditional Cooking Method

Weight (Gr)	TYPE OF THE FOOD	Traditional Cooking Method		Hot Air Circulation Method		Cooking times (Minutes)	NOTES
		Shelf Position	Temperature(°C)	Shelf Position	Temperature(°C)		
	CAKES AND DESSERTS						
	Dough with stirred egg	2	180	2 (1 and 3)	160	45 - 60	
	Dough	1	180	2 (1 and 3)	160	20 - 35	
	Small Cakes	2	180	2 (1 and 3)	160	20 - 30	
	Cheese Cake	1	175	2	150	60 - 80	
	Apple Pie	1	180	2 (1 and 3)	160	40 - 60	
	Strudel	2	175	2 (1 and 3)	150	60 - 80	
	Jam tart	2	180	2 (1 and 3)	160	45 - 60	
	Small cakes	2	180	2 (1 and 3)	160	15 - 25	
	Biscuits	2	180	2 (1 and 3)	160	10 - 20	
	Cream cakes	2	100	2 (1 and 3)	100	90 - 120	
	BREAD						
1000	White Bread	1	200	2	175	45 ~ 60	Inside the closed oven on dishes 8 pieces on a tray Under the grill
500	Rye Bread	1	200	2	175	30 ~ 45	
500	Sandwich	2	200	2 (1 and 3)	175	20 ~ 35	
	PASTRY						
	Macaroni	2	200	2 (1 and 3)	175	40 ~ 50	
	With vegetable	2	200	2 (1 and 3)	175	45 ~ 60	
	Small pastries	2	200	2 (1 and 3)	175	35 ~ 45	
	Lasagne	2	200	2	175	45 ~ 60	
	MEATS						
1000	Roast beef	2	200	2	175	50 ~ 70	Cook on grill
1200	Roast pork	2	200	2	175	100 ~ 130	Cook on grill
1000	Roast veal	2	200	2	175	90 ~ 120	Cook on grill
1500	British style roast beef	2	220	2	200	50 ~ 70	Cook on grill
1200	Lamb	2	200	2	175	110 ~ 130	Leg
1000	Chicken	2	200	2	175	60 ~ 80	Full size
4000	Turkey	2	200	2	175	210 ~ 240	Full size
1500	Duck	2	175	2	160	120 ~ 150	Full size
3000	Goose	2	175	2	160	150 ~ 200	Full size
1200	Rabbit	2	200	2	175	60 ~ 80	In parts
	FISH						
1000	Whole fish	2	200	2 (1 and 3)	175	40 ~ 60	2 Fishes
800	Fillet	2	200	2 (1 and 3)	175	30 ~ 40	4 Fillets



- NOTE :**
- 1) Cooking times do not include pre heating. Preheating the oven for about 10 minutes is advisable especially for cakes, pizzas and breads.
 - 2) Indicates tray positions for cooking several dishes simultaneously.
 - 3) All cooking operations must be carried out with oven door closed.

FOOD TYPES	QUANTITY		COOKING ON GRILL		COOKING TIMES (Minutes)	
	N. OF PARTS	WEIGHT	SHELF POSITION	TEMPERATURE (°C)	UPPER SECTION	LOWER SECTION
Beefsteak	4	800	4	max	10	8
Grilled cutlet	4	600	4	max	12	8
Sausage	8	500	4	max	10	6
Chicken parts	6	800	3	max	30	20
Mixed grill	4	700	4	max	12	10
Milky desserts	4	400	4	max	13	10
Tomato slices	8	500	4	max	12	--
Fish fillets	4	400	4	max	8	6
Scallops	6	---	4	max	12	--
Toast	4	---	4	max	8	--
Bread slices	4	---	4	max	2-3	1

5. CLEANING AND MAINTENANCE

Before all cleaning and maintenance :

- Disconnect mains voltage.
- If the oven is hot, wait till it has cooled down.
- Clean enamelled surfaces with warm, soapy water or with suitable brand products. On no account use abrasive powders that may damage surfaces and ruin the appearance of the cooker.
- It is very important to clean the oven each time it is used.
- Use detergents and abrasive metal pads for the stainless steel grills.
- The glass surfaces such as the top, the oven door and the warming compartment door must be cleaned when they are cold.
- Damage caused by failure to respect this rule is not covered by the guarantee.
- Do not use abrasive products, metal cleaning pads, sharp objects, rough cloths, or chemical products and detergents that can permanently damage the catalytic lining.
- It is a good idea to use deep roasting trays for fatty foods such as joints of meat etc. and to put a tray underneath the grill to catch surplus fat.
- Cleaning and user maintenance shall not be made by children without supervision.
- Do not use a steam cleaner for cleaning operations

Cleaning of Oven Door

For thorough cleaning of the oven door, it is advisable to remove the same, as shown in below.

Open the door completely, turn the two feet on the hinge arms 180°. Close the door partly by a 30°. Remove the door by slightly lifting the it at this position.

For replacing the door, follow the steps above in the reverse order. Before carrying out any maintenance work on the hob, allow it to cool down.

Only products, (creams and scrapers) specifically designed for glass ceramic surfaces should be used. They are obtainable from hardware stores.

Avoid spillages, as anything which falls on to the hob surface will quickly burn and will make cleaning more difficult.

It is advisable to keep away from the hob all substances which are liable to melt, such as plastic items, sugar, or sugar-based products. Do not use harsh abrasive cleaners or sharp metal scrapers to clean the oven door glass since they can scratch the surface, which may result in shattering of the glass.

MAINTENANCE

- Place a few drops of the specialised cleaning product on the hob surface.
- Rub any stubborn stains with a soft cloth or with slightly damp kitchen paper.
- Wipe with a soft cloth or dry kitchen paper until the surface is clean.

If there are still some stubborn stains

- Place a few more drops of specialised cleaning fluid on the surface.
- Scrape with a scraper, holding it at an angle of 30 to the hob, until the stains disappear.
- Wipe with a soft cloth or dry kitchen paper until the surface is clean.
- Repeat the operation if necessary.

A FEW HINTS

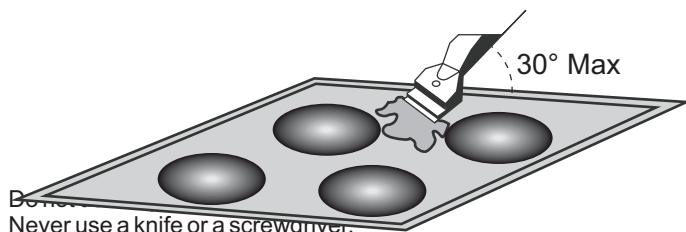
Frequent cleaning leaves a protective layer which is essential to prevent scratches and wear. Make sure that the surface is clean before using the hob again. To remove marks left by water, use a few drops of white vinegar or lemon juice.

Then wipe with absorbent paper and a few drops of specialised cleaning fluid.

The control knobs can be removed for a complete cleaning.

However, you must care not to let any liquid go into the open zones, and then to push the knobs fully on fitting back.

The glass ceramic surface will withstand scraping from flatbottomed cooking vessels, however, it is always better to lift them when moving them from one zone to another



Never use a knife or a screwdriver.

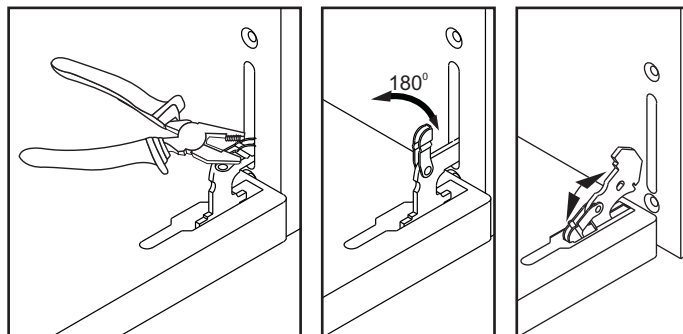
A scraper with a razor blade will not damage the surface, as long as it is kept at an angle of 30°.

Never leave a scraper with a razor blade within the reach of children.

Never use abrasive products or scouring powders.

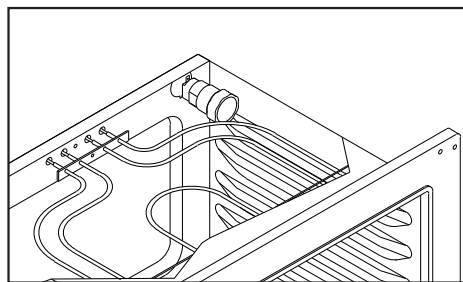
The metal surround

To safely clean the metal surround wash with soap and water, rinse, then dry with a soft cloth.



To Replace the inside light

- Switch off the mains power supply and unscrew bulb.
- Replace with an identical bulb that can withstand very high temperatures.
- Never use steam or a vaporizer for cleaning.
- WARNING: Avoid possibility of electric shock - ensure the appliance is switched off before replacing the lamp.



5.1. CATALYTIC SELF - CLEANING OVEN

•Special self-cleaning panels covered in a micro-porous coating are available on some of our models. If they are fitted, the oven no longer needs to be cleaned by hand.

•The lining must be porous for self-cleaning to be effective.

•Excessive splattering of fat may block the pores and therefore hinder self-cleaning. This self-cleaning capacity may be restored by switching on the empty oven to maximum for about 10-20 minutes.

•If the walls of the oven are so thickly coated in grease that the catalytic lining is no longer effective, remove surplus grease with a soft cloth or sponge soaked in hot water. All catalytic linings currently on the market have a working life about 300 hours. They should therefore be replaced after about 300 hours.

6. SERVICE CENTRE & TROUBLESHOOTING

- If the oven is not working, before calling the service centre we recommended that :
- You should check that the oven is properly plugged into the power supply.

The oven does not heat up

Are the oven control knobs at the correct position ?

The cooking time is too long

Has the correct temperature been selected ?

Smoke comes from the oven

It is advisable to clean the oven after each use. If fat which splashes during the cooking of meat is not cleaned, it will cause an unpleasant smell and smoke the next time you use the oven. (See the Cleaning and Maintenance chapter)

The oven light does not come on

- The light might be faulty. To change the bulb, please see the relative page.
- If you have checked the above and the oven still does not work properly, contact the nearest authorized service for assistance
- Model and Production Number (PNC or ENR).

The cooking zones do not simmer or only fry gently

Only use flat-bottomed pans. If light is visible between the pan and the hob, the zone is not transmitting heat correctly. The pan bottom should fully cover the diameter of the selected zone.

The cooking is too slow

Unsuitable pans are being used. Only use flat bottomed utensils, that are heavy and have a diameter at least the same as the cooking zone.

Small scratches or abrasions on the hob's glass surface

Incorrect cleaning or rough-bottomed pans are used; particles like grains of sand or salt get between the hob and the bottom of the pan. Refer to the "CLEANING" section; make sure that pan bottoms are clean before use and only use smooth bottomed pans. Scratches can be lessened only the cleaning is done correctly.

Metal marks

Do not slide aluminium pans on the hob. Refer to the cleaning recommendations.

You use the correct materials, but the stains persist.

Use a razor blade and follow the "CLEANING" section.

Dark stains

Use a razor blade and follow the "CLEANING" section.

Light surfaces on the hob

Marks from an aluminium or copper pan, but also mineral, water or food deposits; they can be removed using the cream cleaner.

Caramelisation or melted plastic on the hob.

Refer to the "CLEANING" section.

The hob does not operate or certain zones don't work

The shunts are not positioned correctly on the terminal board.

Have a check made that the connection is done in compliance with the recommendations.

The control panel is locked.

Unlock the hob.

Frequency of on/off operations for cooking zones

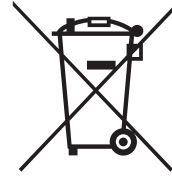
The on-off cycles vary according to the required heat level:

- low level: short operating time,
- high level: long operating time.

"H" display, residual heat indicator, blinking

The electronic temperature is too high. A technician should verify the fitting in compliance with the recommendations.

7. PROTECTION OF THE ENVIRONMENT



This appliance is marked according to the European directive 2012/19/EU on Waste Electrical and Electronic Equipment (WEEE). WEEE contains both polluting substances (which can cause negative consequences for the environment) and basic components (which can be re-used). It is important to have WEEE subjected to specific treatments, in order to remove and dispose properly all pollutants, and recover and recycle all materials. Individuals can play an important role in ensuring that WEEE does not become an environmental issue; it is essential to follow some basic rules:

- WEEE shall not be treated as household waste.
- WEEE shall be handed over to the relevant collection points managed by the municipality or by registered companies. In many countries, for large WEEE, home collection could be present.
- When you buy a new appliance, the old one may be returned to the retailer who has to collect it free of charge on a one-to-one basis, as long as the equipment is of equivalent type and has the same functions as the supplied equipment.

CONSEILS DE SÉCURITÉ

- **AVERTISSEMENT:** L'appareil et les parties accessibles deviennent chauds pendant l'utilisation. Des précautions doivent être prises pour éviter de toucher les éléments chauffants
- Les enfants de moins de 8 ans doivent être tenus à l'écart à moins d'être surveillés continuellement.
- Cet appareil n'est pas destiné à être utilisé par des personnes (y compris les enfants) dont les capacités physiques, sensorielles ou mentales sont réduites, ou ayant un manque d'expérience et de connaissances, à moins qu'elles n'aient été formées à l'utilisation de l'appareil, par une personne responsable de leur sécurité
- Les enfants ne doivent jouer avec l'appareil.
- Le nettoyage et l'entretien par l'utilisateur ne doit pas être fait par des enfants sans surveillance
- **ATTENTION:** La cuisson sans surveillance sur une plaque de cuisson avec de la graisse ou d'huile peut être dangereuse et peut entraîner un incendie.
- Ne jamais tenter d'éteindre un incendie avec de l'eau, mais éteindre l'appareil, puis couvrir la flamme par exemple avec un couvercle ou une couverture anti-feu.
- **AVERTISSEMENT:** Danger d'incendie: ne pas stocker des éléments sur les surfaces de cuisson.
- **ATTENTION:** Si la surface est fêlée, éteindre l'appareil pour éviter les risques de choc électrique.
- En cours d'utilisation l'appareil devient chaud. Des précautions doivent être prises pour éviter de toucher les éléments chauds à l'intérieur du four.
- **AVERTISSEMENT:** Les parties accessibles peuvent devenir chaudes pendant l'utilisation. Les jeunes enfants doivent être tenus à l'écart.
- Ne pas utiliser de nettoyeurs abrasifs ou de racloirs métalliques tranchants pour nettoyer la vitre de la porte du four car ils peuvent rayer la surface, entraînant des risques d'explosion.
- L'intérieur du tiroir inférieur peut devenir chaud.
- Le four doit être éteint avant d'enlever la protection et après le nettoyage, la protection doit être replacé en respectant les instructions.
- Utiliser seulement la sonde de température recommandée pour ce four.
- Ne pas utiliser de nettoyeurs vapeur pour le nettoyage.
- Tout liquide doivent être enlevé du couvercle avant ouverture.
- Il est recommandé de laisser refroidir la table de cuisson avant de refermer le couvercle.
- Ne pas regarder fixement le foyer halogène pendant la cuisson si la table en possède un.
- **AVERTISSEMENT:** Assurez-vous que l'appareil est éteint avant de remplacer la lampe afin d'éviter les risques d'électrocution.
- Si le produit est placé sur un socle, des mesures doivent être prises pour éviter que le produit glisse de son socle.
- Un moyen de déconnexion de l'alimentation secteur avec séparation de contact dans tous les pôles assurant une déconnexion totale conformément aux conditions de surtension de catégorie III, doit être intégré dans le câblage de fixation, selon les règles de câblage.
- Les instructions indiquent le type de cordon à utiliser, en tenant compte de la température de la surface arrière de l'appareil.
- Si le cordon d'alimentation est endommagé, il doit être remplacé par un cordon spécial disponible auprès du fabricant ou de stations de dépannage agréées.
- **ATTENTION:** Pour éviter tout danger dû à une réinitialisation accidentelle, cet appareil ne doit pas être alimenté par un dispositif de commutation externe, comme une minuterie, ou connecté à un circuit qui est régulièrement allumé et éteint par l'utilitaire.
- **ATTENTION:** Les parties accessibles peuvent être chaudes lorsque le barbecue est en cours d'utilisation. Les jeunes enfants doivent être tenus à l'écart.
- **AVERTISSEMENT :** Installer un dispositif de stabilisation pour éviter un éventuel renversement de l'appareil. Consulter les consignes figurant à la page 23 du présent manuel.

1. RECOMMANDATIONS GÉNÉRALES

Merci d'avoir choisi l'un de nos produits. Pour obtenir les meilleurs résultats de votre cuisinière, nous vous recommandons ce qui suit: •Lisez soigneusement les notes de ce manuel. Elles contiennent des instructions importantes sur la manière d'installer, d'utiliser et d'entretenir cette cuisinière en toute sécurité.

•Conservez ce mode d'emploi dans un endroit sûr pour pouvoir vous y référer plus tard.

•En cas de vente ou de cession de l'appareil, il convient de donner également ce manuel avec l'appareil, de manière à assurer la transmission des informations d'installation et d'utilisation de l'appareil, ainsi que les recommandations à son sujet.

•Veillez à ne pas toucher ces éléments. La première mise en route de l'appareil peut produire des fumées âcres; elles ne présentent aucun danger. Nous recommandons de faire fonctionner la cuisinière à vide pendant deux heures lors de sa première mise en route.

1.1. SYMBOLES UTILISÉS DANS CE MODE D'EMPLOI

Les symboles ci-dessous sont utilisés dans ce manuel en vue de le rendre bien clair.



Information relative à la sécurité



Information relative à la protection de l'environnement



Cet appareil est conforme aux directives EU E.E.C.



Attention, possibilité de basculement



Restrictions anti-basculement

1.2. DÉCLARATION DE CONFORMITÉ

Toutes les parties de cet appareil susceptibles d'être en contact avec des aliments sont conformes aux stipulations de la directive CEE 89/109. Cet appareil est conforme aux directives CE 2006/95 et CE 2004/108 et leurs amendements subséquents. Cet appareil est également conforme aux directives générales 93/68 et leurs amendements subséquents.

1.3. CONSEILS DE SÉCURITÉ

•La cuisinière ne peut être utilisée que ce pour quoi elle a été conçue : elle ne peut servir qu'à cuire des aliments. Toute autre usage, par exemple en guise de chauffage, est incorrect et donc dangereux.

•Le fabricant ne pourra en aucune façon être tenu responsable d'aucun dommage résultant d'une utilisation impropre, incorrecte ou déraisonnable.

•L'usage de tout appareil électrique implique quelques règles de base. Si l'appareil tombe en panne ou présente un défaut, déconnectez-le de la prise de courant, n'y touchez pas et appelez le service agréé.

•Utilisez toujours des gants pour retirer des aliments du four.

•Assurez toujours la propreté de l'appareil, pour des raisons de sécurité et de santé. Les graisses et les résidus de nourriture peuvent provoquer des incendies.

•Ne placez pas vos doigts entre les charnières de la porte du four. Écartez les enfants.

•Assurez-vous que tous les boutons sont en position OFF lorsque vous n'employez pas l'appareil.

•Le tiroir du four est destiné à ranger des plateaux vides ou à garder des aliments au chaud.

•Ne placez pas dans le tiroir des matières inflammables, explosives ou des produits de nettoyage, comme des sachets plastiques, du papier ou des vêtements.

•N'employez que des casseroles résistant à la chaleur. N'employez pas de matériaux inflammables.

•Il est dangereux de modifier ou d'essayer de modifier les caractéristiques de l'appareil.

•Une attention particulière s'impose lorsque vous faites frire des aliments : ne laissez pas l'appareil sans surveillance.

•L'appareil est lourd. Prenez garde lorsque vous le déplacez.

•L'émission d'air chaud est normale lorsque l'appareil est en fonctionnement. N'obtenez pas les orifices du four.

•Lorsque vous placez de la nourriture sur ou dans l'appareil, ou que vous retirez de la nourriture contenant beaucoup de graisse ou d'eau, il peut se produire des éclaboussures sur l'appareil. Nettoyez immédiatement ces éclaboussures dès que vous avez terminé de cuire, en vue d'éviter des odeurs déplaisantes ou des incendies possibles.

•L'usage de tout appareil électrique implique quelques règles de base:

-Il n'est pas conseillé d'utiliser des adaptateurs, des prises multiples pour plusieurs fiches, ni des rallonges électriques.

-Pour enlever la fiche électrique de la prise, ne tirez pas sur le fil électrique.

-Ne touchez pas le four avec des mains ou des pieds mouillés ou humides.

-Si le câble principal est endommagé, il convient de le remplacer au plus tôt.

-Lorsque vous voulez faire replacer un nouveau câble, suivez les instructions ci-dessous :

-Le remplacement du câble ne peut être effectué que par des techniciens qualifiés. Pour des réparations, faites appel uniquement à un service de réparation agréé et assurez-vous que seules des pièces d'origine sont utilisées.

-En cas de nécessité, enlevez le câble d'alimentation et remplacez-le par un autre câble de type H05RR-F, H05VV-F, ou H05V2V2-F. Ces types de câbles sont adéquats pour la puissance électrique exigée par l'appareil.

•Ne laissez pas l'appareil sans surveillance avant qu'il n'ait refroidi.



Sans respect des instructions ci-dessus, le fabricant ne peut garantir la sécurité de la cuisinière.

1.4. QUELQUES CONSEILS UTILES

•N'employez pas de casseroles déformées ou déséquilibrées.

•Avant emploi, nettoyez le grill et le plateau recueillant les graisses.

•Si vous employez des aérosols pour le nettoyage, n'en projetez pas sur les plaques chauffantes ni sur le thermostat.

•Assurez-vous que les étagères du four sont correctement placées.

•Ne couvrez aucune partie du four avec de la feuille d'aluminium.

1.5. DONNÉES TECHNIQUES

CARACTÉRISTIQUES	PUISSANCE ÉLECTRIQUE TOTALE
60x60 4 zones de cuisson vitroceramique et four électrique	8.4 kW
50x60 4 zones de cuisson vitroceramique et four électrique	7.6-7.8 kW

Plaque signalétique (située à l'arrière de la cuisinière)

2. INSTALLATION

L'installation doit être effectuée par du personnel qualifié. Le fabricant n'a aucune obligation d'effectuer l'installation. Dans le cas où l'assistance du fabricant serait requise pour remédier à des défauts résultant d'une installation incorrecte, cette assistance ne sera pas couverte par la garantie.

Il convient de respecter les instructions d'installation destinées à du personnel qualifié. Une installation incorrecte peut provoquer des dommages ou infliger des blessures aux personnes, aux animaux, ou à des objets. Le fabricant ne pourra en aucun cas être tenu responsable de tels dommages ou blessures.

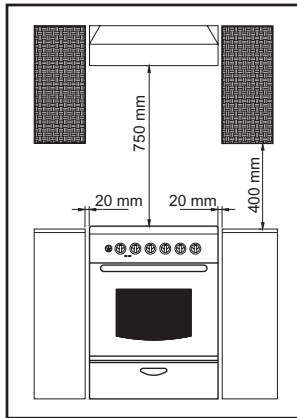
AVERTISSEMENT ! Il convient de faire attention à l'endroit où l'appareil sera placé. Il ne peut être installé que dans une pièce ventilée en permanence. Les connexions électriques doivent toujours être débranchées avant toute réparation, installation ou modification.

• Avant de placer votre appareil, vérifiez les caractéristiques de votre système électrique et assurez-vous que l'appareil y est conforme.

• L'appareil ne peut pas être placé à proximité de matériaux inflammables (par exemple des meubles, des rideaux etc.).

Si le produit est placé sur un socle, des mesures doivent être prises pour éviter que le produit glisse de son socle.

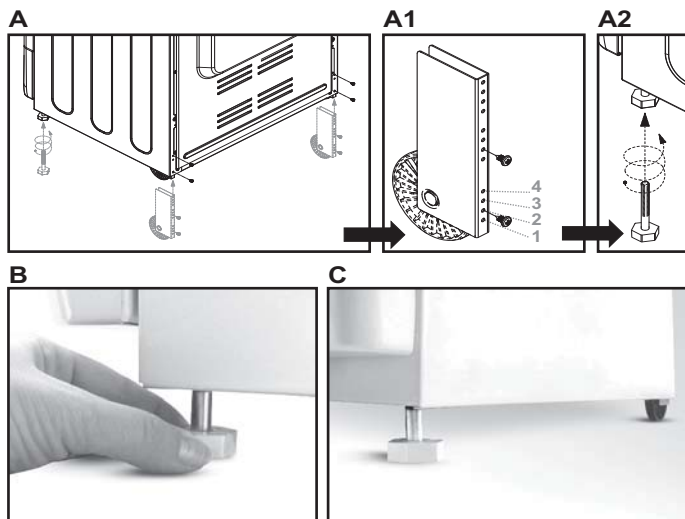
2.1. PLACEMENT



2.2. AJUSTEMENT DES PIEDS

La cuisinière est dotée de pieds réglables aux 4 angles du châssis. Les pieds doivent être réglés l'un après l'autre à l'aide d'une clef pour que l'appareil soit positionné de telle manière à ce qu'il soit parfaitement stable et que les plats posés sur les plaques soient parfaitement équilibrés.

Roues ajustables et roues



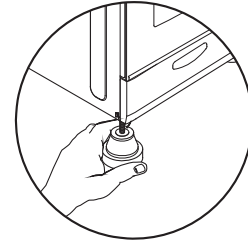
• La cuisinière est dotée de 2 pieds et de 2 roulettes réglables aux angles du châssis.

• La hauteur maximale du four est de 868 mm en fixant les pieds réglables à l'avant et les roues à l'arrière au 4ème trou.

• Les pieds doivent être réglés l'un après l'autre à l'aide d'une clef pour que l'appareil soit positionné de telle manière à ce qu'il soit parfaitement stable et que les plats posés sur les plaques soient parfaitement équilibrés.

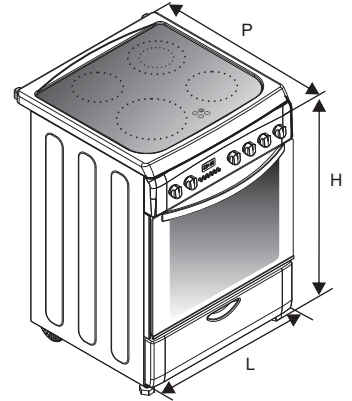
• Les roues arrière doivent être fixées au 2ème trou (photo A1) pour atteindre la taille standard de 850 mm.

Roues ajustables



2.3. DIMENSIONS DE L'APPAREIL

	60 x 60	60 x 60
Hauteur (mm)	850	850
Largeur (mm)	598	510
Profondeur (mm)	600	600

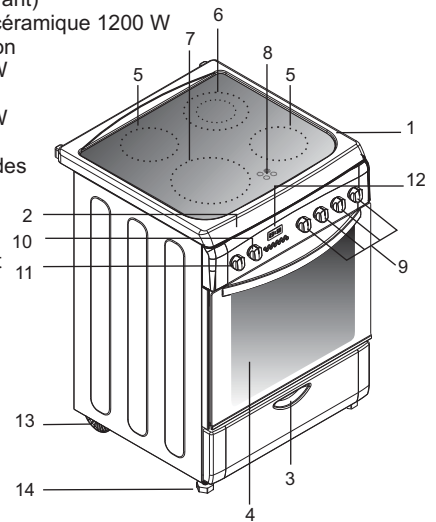


2.4. APPARENCE GÉNÉRALE ET DÉFINITION DE L'APPAREIL

Ce mode d'emploi a été rédigé pour s'appliquer à différents modèles. Certaines des caractéristiques mentionnées dans ce mode d'emploi, peuvent donc ne pas être d'application pour votre appareil.

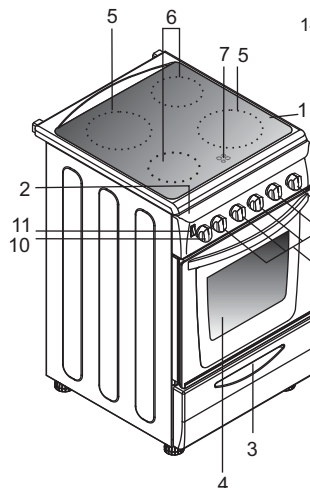
CUISINIÈRE 60 X 60

- 1- Zone de cuisson supérieure
- 2- Panneau de contrôle
- 3- Tiroir de rangement
- 4- Porte du four (porte avant)
- 5- Zone de cuisson vitrocéramique 1200 W
- 6- Double zone de cuisson vitrocéramique 1700 W
- 7- Zone de cuisson vitrocéramique 2300 W
- 8- Témoins lumineux
- 9- Manettes de contrôle des zones de cuisson vitrocéramique
- 10- Manette du four
- 11- Manette du thermostat
- 12- Programmateur électronique
- 13- Roulettes
- 14- Pieds réglables



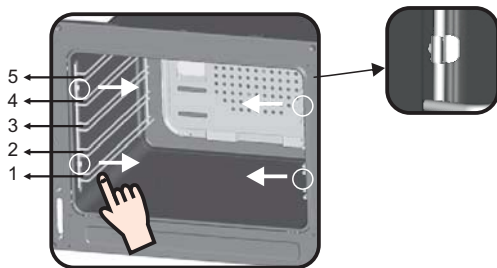
CUISINIÈRE 50 X 60

- 1- Zone de cuisson supérieure
- 2- Panneau de contrôle
- 3- Tiroir de rangement
- 4- Porte du four (porte avant)
- 5- Zone de cuisson vitrocéramique 1800 W
- 6- Zone de cuisson vitrocéramique 1200 W
- 7- Témoins lumineux
- 8- Manette du timer
- 9- Manettes de contrôle des zones de cuisson vitrocéramique
- 10- Manette du four
- 11- Bouton de mise en marche de la ventilation



RETRAIT ET NETTOYAGE DES GRILLES

- 1- Retirez les grilles en les tirant vers l'intérieur du four (voir schéma)
- 2- Mettez les grilles directement au lave-vaisselle ou lavez-les simplement avec une éponge humide et veillez à bien les essuyer.
- 3- Une fois les grilles nettoyées, reclipser-les dans le four (voir schéma)



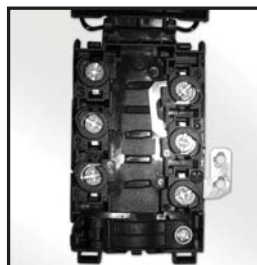
2.5. CUISINIÈRES SANS CÂBLE ÉLECTRIQUE

Types de connexions de la boîte électrique

1- Connexion monophasée



2- Connexion triphasée



Attention : Un serrage insuffisant peut entraîner des risques de surchauffe dangereuse au niveau de l'insertion du câble.



	Monophasé 220-240 V~	Triphasé 380-415V3N~
Câble - Section	3 G 4 mm ²	5 G 1.5 mm ²
Câble - Type	H05VV-F H05RR-F	H05VV-F H05RR-F
	<p>L1 : Shunt phase 1-2 et shunt 2-3 N : Shunt Neutre 4-5 PE Terre</p>	<p>1 Phase 2 Phase 3 Phase 5 Shunt Neutre 4-5 PE Terre</p>

2.6. CONNEXION ÉLECTRIQUE

Les cuisinières peuvent être présentées avec ou sans câble d'alimentation électrique. La connexion du câble doit être effectuée par un service agréé conformément aux instructions suivantes.

La connexion électrique doit être effectuée conformément aux normes et règlements en vigueur. Avant d'effectuer la connexion électrique, vérifiez ce qui suit:

- La puissance de l'alimentation électrique et des fusibles dans l'immeuble est-elle suffisante pour supporter la puissance de l'appareil? (vérifiez sur l'étiquette d'information adhésive)
- Le circuit électrique d'alimentation dispose-t-il d'une mise à la terre conforme aux normes en vigueur? Vous devez avoir dans votre habitation une mise à la terre convenable. S'il n'y a pas de mise à la terre convenable dans votre habitation, veuillez faire appel à un technicien agréé pour résoudre ce problème.
- La prise de courant ou le disjoncteur multipolaire sont-ils placés à un endroit qui sera aisément accessible après l'installation de l'appareil?
- Une fiche électrique conforme aux normes doit être connectée au réseau électrique, et le câble doit être inséré dans une fiche sécurisée.
- Un disjoncteur multipolaire doit être placé entre l'appareil et le réseau électrique dans le cas où il y a une connexion électrique directe avec l'appareil. (Il doit être conforme aux normes et être approprié à la puissance).
- Le fil vert-jaune de terre ne doit pas être interrompu par un interrupteur. Le fil de phase brun (du connecteur marqué « L » du four) doit toujours être connecté au fil de phase du réseau.
- La ligne électrique doit être placée de façon à ne jamais être soumise à une température supérieure à 50°C.
- Lorsqu'il faut remplacer le câble électrique, il faut utiliser un câble de diamètre approprié à la puissance mentionnée. Le fil de terre vert-jaune doit avoir environ 2 cm de plus en longueur que les fils de phase et le neutre.
- Après avoir achevé la connexion, vérifiez les zones de cuisson en les allumant pendant 3 minutes.
- **Le fabricant n'acceptera aucune responsabilité pour des dommages dus à un manque de respect des normes de sécurité.**

3. SURFACE DE CHAUFFE VITROCÉRAMIQUE

3.1. DESCRIPTION DES ZONES DE CUISSON

Zone de cuisson highlight

Une surface métallique conductrice recouvre l'ensemble du plan de cuisson. Elle réagit en 3 secondes et convient à une cuisson régulière, uniforme, et même très longue.

La surface de vitrocéramique a une très grande puissance de chauffe générée par les zones de cuisson highlight, ce qui accélère le processus de cuisson. Les modifications à la conception du plan de cuisson n'ont pas affecté la capacité du verre de supporter des températures élevées, mais ont amélioré le contrôle.

Avec la fonctionnalité « coup de feu le », on peut obtenir une réduction du temps de cuisson allant jusque 15%, selon la méthode de cuisson et le type de casserole employé.

Zone à halo-highlight

Il s'agit d'une zone combinant l'halogène (1/3) et highlight (2/3). La température de cette zone s'élève à une vitesse extrêmement rapide. Elle convient pour sauter de la viande, faire bouillir rapidement et cuire de façon intensive lorsqu'une température élevée est nécessaire pendant une période très courte.

Zone radiante

Température égale et grande stabilité pour maintenir la température requise. Cette zone est extrêmement précise et offre une très bonne diffusion de la chaleur.

3.2. CONSEILS RELATIFS À LA BATTERIE DE CUISINE ET AU PLAN DE CUISSON

Pour une cuisson efficace

Selon les dimensions des casseroles employées et/ou de la quantité de nourriture que l'on cuit, la zone de cuisson vitrocéramique extra-large fournira des niveaux de performance encore plus élevés. Il est essentiel d'utiliser des casseroles de bonne qualité pour obtenir les meilleurs résultats de votre plan de cuisson.

Utilisez des casseroles suffisamment larges pour recouvrir entièrement la surface de la zone de cuisson.

La taille de la casserole ne devrait pas être inférieure à la taille de la zone de chauffe. Si elle est légèrement supérieure, alors l'énergie sera utilisée avec un maximum d'efficacité.



3.3. LE CHOIX DE LA BATTERIE DE CUISINE

Voici quelques informations qui vous permettront de choisir les casseroles qui vous donneront les meilleurs résultats.

Acier inoxydable

Très recommandé. Spécialement efficace si sa base est munie d'un revêtement sandwich. La base sandwich combine les avantages de l'acier inoxydable (apparence, durabilité et stabilité) avec ceux de l'aluminium ou du cuivre (conduction électrique, égalité de la répartition de la chaleur).

Aluminium

Nous recommandons d'utiliser de l'aluminium épais. Bonne conductivité.

Des résidus d'aluminium peuvent apparaître comme des éraflures sur la surface de cuisson, mais peuvent être enlevés si on les nettoie immédiatement. Du fait de sa basse température de fusion, de l'aluminium fin ne devrait jamais être utilisé.

Fonte

Elle peut être utilisée, mais elle n'est pas recommandée. Ses performances sont médiocres. Elle peut griffer la surface de cuisson.

Fonds de cuivre / pots en grès

Nous recommandons d'utiliser des instruments lourds. Bonnes performances, mais le cuivre peut laisser des résidus qui peuvent paraître être des éraflures. Ces résidus peuvent être enlevés si on nettoie immédiatement la surface de cuisson. Ne faites cependant pas bouillir ces pots à sec. Du métal surchauffé peut se souder à une surface de cuisson en verre. Du cuivre surchauffé laissera un résidu qui tachera la surface de cuisson de manière permanente.

Assurez-vous que la base de la casserole est bien sèche.

Lorsque vous remplissez des casseroles avec du liquide ou que vous en utilisez une qui a séjourné dans le réfrigérateur, assurez-vous que la base de la casserole est bien sèche avant de la placer sur la surface de cuisson. Cela évitera de tacher le plan de cuisson.

N'utilisez que des casseroles de bonne qualité ayant une base parfaitement plate et épaisse.

Utiliser ce genre d'instruments permettra d'éviter des zones de surchauffe auxquelles les aliments vont coller. Des casseroles en

métal épais assurent une distribution égale de la chaleur.

Porcelaine/émail

Bonnes performances uniquement si leur base est fine, douce et plate.

Vitrocéramique

Pas recommandée. Performances médiocres. Elle peut griffer la surface de cuisson.

Pertinence des casseroles de cuisson.

Rappelez-vous que des casseroles plus larges ont des surfaces de chauffe plus grandes.

Ceci permettra de cuire des aliments plus vite qu'avec des casseroles ayant des surfaces de chauffe plus réduites.

Utilisez toujours des casseroles ayant une taille appropriée à la quantité d'aliments à cuire. Pour éviter des éclaboussures, n'utilisez pas de petits poêlons, surtout avec des aliments contenant beaucoup de liquide. Si vous employez des casseroles trop grandes pour des aliments qui cuisent rapidement, les saucisses et les liquides vont coller et des résidus resteront collés à la casserole après que vous l'avez vidée.

Pour les desserts, il est recommandé d'employer des casseroles avec couvercle, et des plateaux ou moules de cuisson. Si du sucre ou des jus cuits dans une casserole ouverte éclaboussent la surface de cuisson, ils peuvent coller et ils seront difficiles à enlever. Ceci est spécialement important pour des casseroles utilisées pour rôti ou pour des casseroles à pression qui cuisent à haute température.

Ne laissez pas sans surveillance les zones de cuisson s'il n'y a pas de casserole dessus, ou une casserole vide.

Vérifiez que les casseroles répondent bien aux critères suivants :

Elles doivent être lourdes.

Elles doivent couvrir entièrement la surface chauffante ; elles peuvent être un plus large, mais pas plus petites.

Leur surface de base doit être absolument plate et bien s'adapter à la surface de cuisson.

• Si la distribution de chaleur n'est pas égale en dessous de la casserole, alors certaines parties des aliments pourraient être chauffées alors que d'autres restent froides. Dans le cas de casseroles ayant une base fine, il est donc nécessaire de remuer continuellement ce que l'on cuit dans la casserole. La chaleur est mieux répartie, avec une meilleure efficacité, dans les casseroles à fond épais.

• Nous ne recommandons d'utiliser des casseroles très petites. Des casseroles plus larges et peu profondes sont plus efficaces et plus rapides pour la cuisson que des casseroles petites et profondes.

• Vous ne raccourcirez pas le temps de cuisson en utilisant une petite casserole sur une zone de cuisson large. Cela vous fera uniquement gaspiller de l'énergie. Cependant, une casserole avec couvercle économise l'énergie.



3.4. BOUTON DE CONTRÔLE DU PLAN DE CUISSON VITROCÉRAMIQUE

COMMENT UTILISER LE PLAN DE CUISSON

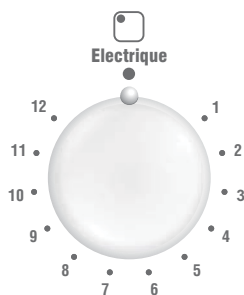
Localisez le symbole correspondant à la zone de cuisson dont vous avez besoin.

Tournez le bouton de contrôle jusqu'à la position de cuisson requise.

Nous recommandons de positionner au début le bouton à son maximum jusqu'à ce que le contenu de la casserole ait atteint la température requise ; la température peut alors être réduite jusqu'à la position de cuisson requise.

L'ampoule témoin de chaleur résiduelle s'allume lorsque la température du plan de cuisson atteint ou dépasse 60°C.

Elle restera allumée même si les zones de cuissons sont éteintes, et elle ne s'éteindra que lorsque le plan de cuisson se sera refroidi.



Positions	Quelques conseils
1 1-2 Très basse	Pour conserver un plat au chaud, faire fondre du beurre ou du chocolat
2 3-4 Basse	Cuisson lente, sauces, ragoûts, riz au lait, œufs pochés ...
3 5-6 Modérée	Haricots, aliments congelés, fruits, eau bouillante ...
4 7-8 Moyenne	Pommes au four, légumes frais, pâtes, crêpes, poisson ...
5 9-10 Élevée	Cuisson élevée, omelettes, steaks ...
6 11-12 Très élevée	Steaks, côtelettes, friture ...

4. UTILISATION DU FOUR

4.1. GRIL

•Griller donne rapidement aux aliments une belle couleur brune. Le gril dispose de plusieurs positions, que vous utiliserez selon la quantité d'aliments à griller. Quasiment tous les aliments peuvent être grillés, à l'exception du gibier très maigre et des roulades de viande.

•Les viandes et poissons à griller doivent d'abord être légèrement huilés.

•Lorsque vous utilisez le gril, placez en-dessous un plateau pour recueillir la graisse. Mettez un peu d'eau dans ce plateau pour éviter des odeurs déplaisantes et empêcher que la graisse ne prenne feu.

•Le gril se prête particulièrement à la cuisson de pièces de viande qui ne sont pas trop épaisses, comme des steaks, des morceaux de viande de taille différente, des oiseaux fendus en deux, du poisson, certains légumes (par exemple des courgettes, des aubergines, des tomates) ainsi que de la viande et du poisson sur broche.

•Huilez légèrement le poisson avant de le mettre directement sous le gril.

•Salez la viande après cuisson, et salez le poisson sur sa face interne avant cuisson.

•La distance par rapport au gril dépendra de l'épaisseur de la viande ou du poisson. Une bonne estimation de la distance entre les mets à griller et le gril permettra de bien cuire le cœur de la pièce sans toutefois en brûler les bords.

•Pour éviter les odeurs déplaisantes et la fumée dégagées par les graisses et les sauces qui dégoulinent, versez 1 à 2 verres d'eau dans le plateau de recueil des graisses.

Vous pouvez également utiliser le gril pour rôtir du pain ou des sandwiches, par exemple, ou pour cuire certains fruits (bananes, tranches de pamplemousse ou d'ananas, pommes etc.). Les fruits ne peuvent cependant entrer en contact avec les éléments chauffants.



Ne couvrez jamais les parois internes du four avec de la feuille d'aluminium. Une accumulation de chaleur peut endommager l'émail du four et les aliments que vous cuisez

4.2. SUGGESTIONS DE CUISSON

Cuisson traditionnelle

La chaleur est générée par les éléments de chauffe inférieurs et supérieurs. En général il est préférable de placer le plateau dans sa position médiane. Cependant, dans le cas où la surface inférieure ou supérieure de l'aliment doit être plus cuite, placez-le sur un des plateaux plus bas ou plus haut.

Cuisson par convection (avec ventilateur)

•Les aliments sont cuits par de l'air préchauffé qui est diffusé de façon égale par un ventilateur situé dans la face interne arrière du four.

Il est possible de cuire différents aliments à la fois sur différents plateaux, du fait que la chaleur est diffusée partout dans le four de façon égale.

•Ce type de four est également très utile pour décongeler des aliments congelés. Il peut en outre être employé pour stériliser des aliments en bocaux, préparer des sirops de fruits et déshydrater des fruits et des champignons.

4.3. CUIRE DES GÂTEAUX

•À moins d'autre suggestion, préchauffez le four pendant au moins 10 minutes avant de l'utiliser. N'ouvrez pas la porte du four lorsque vous cuisez des gâteaux, ils ne monteraient pas (gâteaux ou plats avec levure, et soufflés). L'irruption d'air froid dans le four empêcherait la préparation de monter. Vous pouvez vérifier si le gâteau est bien cuit en le piquant avec une tige. Lorsque vous retirez la tige, si elle est bien sèche cela signifie que le gâteau est bien cuit. Ne pratiquez pas cette vérification avant qu'au moins trois quarts du temps de cuisson prévu ne se soient écoulés.

Rappelez-vous des astuces suivantes:

•Si la surface des aliments est bien cuite comme il faut mais que le centre ne l'est pas suffisamment, cela signifie qu'il faut cuire plus longtemps et à plus basse température.

•D'autre part, si la surface des aliments est trop sèche, il faudrait cuire pendant moins de temps et à plus haute température.

4.4. CUISSON PIZZA

- Réglage du thermostat au maximum
- Temps de préchauffage 15 min (20 min si possible)
- La position du tiroir dans l'une des deux la position la plus basse
- Temps de cuisson 20 min.

4.5. CUIRE LES POISSONS

Les petits poissons peuvent être cuits à température maximum du début à la fin. Des poissons de taille moyenne doivent être cuits à température maximum au début, puis il faut réduire progressivement la température. Les poissons plus grands doivent être cuits à une température plus basse du début à la fin. Vérifiez si le poisson est bien cuit en regardant la face inférieure. Pour voir si le poisson est correctement grillé, vérifiez la couleur de sa face inférieure. Pour les poissons grillés, la couleur doit être blanc mat uniforme. Ceci n'est cependant pas le cas pour le saumon et la truite.

4.6. CUIRE LES VIANDES

•La quantité minimum de viande à cuire dans le four est de 1 kg. Autrement la viande serait trop sèche.

Si vous aimez la viande bien cuite, employez moins de graisse. Si la viande est un peu grasse il n'est pas nécessaire de l'huiler. Si une face du morceau de viande est grasse, placez cette face vers le haut. La graisse fondante graissera suffisamment les parties qui se trouvent en-dessous. Les viandes rouges doivent être retirées du frigidaire au moins 1 heure avant la cuisson.

•Sans cela, la différence de température pourrait rendre la viande plus dure. Ne mettez pas de sel avant la cuisson, spécialement lorsque vous grillez de la viande. Le sel extraierait le sang et les sucs de la viande, ce qui empêcherait la surface supérieure de la viande de rôtir.

•Ne salez votre viande rôtie qu'après que se soit écoulée la moitié du temps de cuisson.

•Placez la viande à rôtir dans un récipient large et peu profond.

•Des récipients profonds empêchent la chaleur d'agir.

Les viandes peuvent être placées dans le four dans un récipient résistant à la chaleur, ou directement sur une grille. Placez un plateau en-dessous de la grille pour recueillir les graisses et les sauces.

Si les aliments sont cuits pendant une période courte, il vaut mieux ajouter les sauces dès le début ; mais si les aliments cuisent pendant longtemps, il est préférable de n'ajouter les sauces que pendant la dernière demi-heure de cuisson.

4.7. CUISSON AU TOURNEBROCHE

•Il est équipé d'une broche, de deux fourchettes et d'un crochet servant de support de broche.

•Conseils d'utilisation :

-retirer tous les accessoires du four ;

-poser le plat profond sur la sole du four ou sur le niveau de gradin le plus bas ;

-embrocher la pièce à cuire, bien centrée entre les deux fourchettes ;

-enclencher la broche dans le carré d'entraînement situé au fond de la cavité du four puis placer le crochet dans l'encoche située à l'avant - en haut du four ainsi qu'au tour de la partie avant de la broche

•Le préchauffage n'est pas utile avec le tournebroche.

•Temps de cuisson recommandés en position Tournebroche

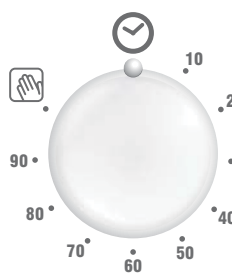
Type d'aliments	Temps de cuisson(min)
Bœuf (1kg)	20/30
Agneau, mouton (1kg)	30/40
Veau, volaille (1kg)	60/70
Porc (1kg)	65/75

Pour éteindre le plan de cuisson, tournez le bouton jusque "0"

•La zone de chauffe ovale consiste en deux zones de chauffe : une zone circulaire et une zone ovale. Tournez le bouton de contrôle de 1 à 12 pour régler la zone circulaire. Pour contrôler la zone ovale, tournez simplement le bouton de contrôle jusqu'à la position 12, puis sélectionnez une position de 1 à 12.

•La zone de chauffe consiste en deux zones concentriques. Le cercle interne est activé en tournant le bouton de contrôle jusqu'à une des positions de 1 à 12. Le cercle extérieur ne sera activé que lorsque le bouton de contrôle sera tourné jusqu'à une puissance supérieure au-delà de 12.

4.8. UTILISATION DE LA MINUTERIE DE FIN DE CUISSON



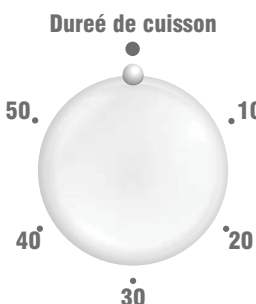
Il est possible de programmer la durée de la cuisson et l'extinction automatique du four (max. 90 minutes).

À l'expiration du temps désigné, la manette sera en position O, une sonnerie retentira et le four s'arrêtera automatiquement.

Si l'on souhaite utiliser le four sans programmer d'arrêt automatique, positionner la manette en position .

Le four peut être allumé seulement en sélectionnant un temps de cuisson ou en tournant le bouton en position .

4.9. UTILISATION DE LA MINUTERIE



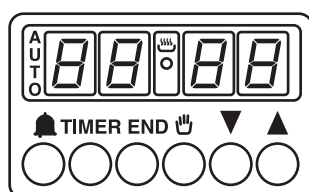
Pour sélectionner le temps de cuisson tournez le bouton sur le temps désiré.

Dès que le temps de cuisson est écoulé une sonnerie retentit. Il ne vous reste plus qu'à couper manuellement le four.

4.10. UTILISATION DU PROGRAMMEUR ÉLECTRONIQUE

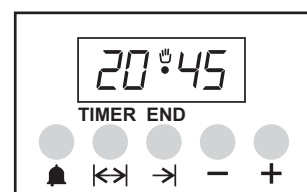
FONCTION	COMMENT L'ACTIVER	COMMENT L'ÉTEINDRE	CE QU'ELLE FAIT	À QUOI ELLE SERT
MINUTERIE	<ul style="list-style-type: none"> •Presser et maintenir le bouton •Presser les boutons ou pour définir la durée requise •Relâcher tous les boutons 	<ul style="list-style-type: none"> •Lorsque la durée prévue s'est écoulée, un signal sonore le signale (cette alarme s'arrêtera toute seule, mais elle peut aussi être arrêtée en pressant le bouton) 	<ul style="list-style-type: none"> •Déclenche une alarme à la fin de la durée prévue •Pour vérifier combien de temps il reste, pressez le bouton 	<ul style="list-style-type: none"> •Permet d'utiliser le four comme minuterie simple (la minuterie peut être activée en utilisant le four ou sans utiliser le four)
FONCTION MANUELLE	<ul style="list-style-type: none"> •Presser le bouton •Choisir la fonction de cuisson désirée avec le sélecteur de fonction du four 	<ul style="list-style-type: none"> •Tournez le sélecteur de fonction du four jusqu'à la position O 	<ul style="list-style-type: none"> •Permet d'utiliser le four 	<ul style="list-style-type: none"> •Pour cuire vos recettes préférées
TEMPS DE CUISSON	<ul style="list-style-type: none"> •Presser et maintenir le bouton TIMER •Presser les boutons ou pour sélectionner la durée de cuisson souhaitée •Relâcher tous les boutons •Définir la fonction de cuisson avec le sélecteur de fonction du four 	<ul style="list-style-type: none"> •Lorsque la durée prévue sera écoulée, le four s'éteindra automatiquement Pour arrêter la cuisson plus tôt, mettre le sélecteur de fonction sur 0, ou bien le temps à 0:00 (TIMER et boutons) 	<ul style="list-style-type: none"> •Elle permet de définir la durée de cuisson requise pour la recette choisie •Pour vérifier combien de temps il reste, pressez le bouton TIMER •Pour modifier la durée prévue, pressez les boutons TIMER et 	<ul style="list-style-type: none"> •À la fin de la durée prévue, le four s'éteindra automatiquement et un signal sonore se produira.
FIN DE CUISSON	<ul style="list-style-type: none"> •Presser et maintenir le bouton END •Presser les boutons pour définir le moment où vous voulez que le four s'éteigne •Relâcher les boutons •Définir la fonction de cuisson avec le sélecteur de fonction du four 	<ul style="list-style-type: none"> •Au moment prévu, le four s'éteindra Pour éteindre manuellement, mettre le sélecteur de fonction du four sur la position O 	<ul style="list-style-type: none"> •Elle permet de définir la fin du temps de cuisson •Pour vérifier la durée prévue pressez le bouton END •Pour modifier la durée prévue pressez les boutons END et 	<ul style="list-style-type: none"> •Cette fonction est habituellement utilisée avec la fonction « temps de cuisson ». Par exemple, si le plat doit cuire pendant 45 minutes et doit être prêt à 12h30, sélectionnez simplement la fonction requise, fixez le temps de cuisson à 45 minutes et définissez la fin du temps de cuisson à 12:30. •La cuisson commencera automatiquement à 11h45 (12h30 moins 45 minutes) et se poursuivra jusqu'à la fin de la durée de cuisson prévue, lorsque le four s'éteindra automatiquement. AVERTISSEMENT •Si la fonction END de fin de cuisson est sélectionnée mais qu'il n'y a pas de durée de cuisson prévue, alors la cuisson commencera immédiatement et s'arrêtera à l'heure prévue par la fonction END de fin de cuisson

Introduire l'heure correcte



AVERTISSEMENT : la première chose à faire après avoir installé le four, ou après une coupure de courant (et dans ce cas l'affichage clignote) est d'introduire l'heure correcte. Cela se fait comme suit : 0:00

- Presser et maintenir les boutons TIMER et END (et)
- Définir l'heure avec les boutons
- Relâcher tous les boutons



ATTENTION : le four ne fonctionne que si on a défini la fonction « manuelle » ou « durée prévue ».

N.B. dans certains modèles, les symboles sont remplacés par les symboles et .

Sur le programmeur 5 boutons, pour passer en mode manuel, pressez les boutons « TIMER » et « END » simultanément.

4.11. FOUR ELECTRIQUE

Position	Fonction du four
Four	Fonction
Température (°C)	Température
	Temps de cuisson
	Arrêt
	Tournebroche et gril de voute.
	Eclairage du four.
	Gril
	Turbo gril
	Ventilation
	Résistance de voûte et ventilation
	Sole brassée
	Chaleur brassée
	Convection naturelle
	Résistance de voûte
	Résistance de sole
	Manuel
	Pizza

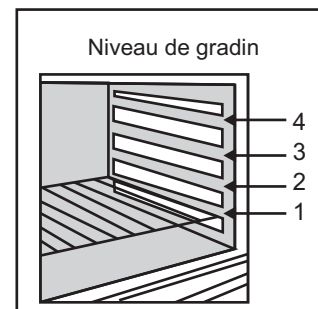
4.12. TABLES DE CUISSON

Méthodes de cuisson traditionnelle et à circulation d'air chaud; poids

En grammes

TYPE D'ALIMENT Méthode de cuisson traditionnelle

Poids	TYPE D'ALIMENT	Méthode de cuisson traditionnelle		Méthode de cuisson d'air chaud		Durée de cuisson (minutes)	NOTES
		Position Du Plateau	Température (°C)	Position Du Plateau	Température (°C)		
	GÂTEAUX ET DESSERTS						
	Pâte avec œufs battus	2	180	2(1et3)	160	45 - 60	
	Pâte	1	180	2(1et3)	160	20 - 35	
	Petits gâteaux	2	180	2(1et3)	160	20 - 30	
	Gâteau au fromage	1	175	2	150	60 - 80	
	Gâteau aux pommes	1	180	2(1et3)	160	40 - 60	
	Strudel	2	175	2(1et3)	150	60 - 80	
	Tarte à la confiture	2	180	2(1et3)	160	45 - 60	
	Petits gâteaux	2	180	2(1et3)	160	15 - 25	
	Biscuits	2	180	2(1et3)	160	10 - 20	
	Gâteau à la crème	2	100	2(1et3)	100	90 - 120	
	PAIN ET PIZZA						
1000	Pain blanc	1	200	2	175	45 ~ 60	Dans le four fermé, 8 pièces par plat Sous le gril
500	Pain gris	1	200	2	175	30 ~ 45	
500	Sandwich	2	200	2(1et3)	175	20 ~ 35	
250	Pizza	1	220	2(1et3)	200	20 ~ 35	
	PÂTES						
	Macaroni	2	200	2(1et3)	175	40 ~ 50	
	Avec légumes	2	200	2(1et3)	175	45 ~ 60	
	Petites pâtes	2	200	2(1et3)	175	35 ~ 45	
	Lasagne	2	200	2	175	45 ~ 60	
	VIANDES						
1000	Rôti de bœuf	2	200	2	175	50 ~ 70	Cuire au gril
1200	Rôti de porc	2	200	2	175	100 ~ 130	Cuire au gril
1000	Rôti de veau	2	200	2	175	90 ~ 120	Cuire au gril
1500	Roast-beef à l'anglaise	2	220	2	200	50 ~ 70	Cuire au gril
1200	Agneau	2	200	2	175	110 ~ 130	Gigot
1000	Poulet	2	200	2	175	60 ~ 80	Complet
4000	Dinde	2	200	2	175	210 ~ 240	Complet
1500	Canard	2	175	2	160	120 ~ 150	Complet
3000	Oie	2	175	2	160	150 ~ 200	Complet
1200	Lapin	2	200	2	175	60 ~ 80	Parties
	POISSON						
1000	Poisson entier	2	200	2(1et3)	175	40 ~ 60	2 poissons
800	Filet	2	200	2(1et3)	175	30 ~ 40	4 filets



NOTE :

1) Les temps de cuisson n'incluent pas le préchauffage. Il est recommandé de préchauffer le four pendant 10 minutes environ, et spécialement pour les gâteaux, les pizzas et les pains.

2) Indique les positions des plateaux pour cuire plusieurs plats simultanément.

3) Toutes les opérations de cuisson doivent être exécutées avec la porte du four fermée.

TYPE D'ALIMENT	QUANTITÉ		CUISSON AU GRILL		TEMPS DE CUISSON (Minutes)	
	N. DE MORCEAUX	POIDS	POSITION DU PLATEAU	TEMPÉRATURE (°C)	SECTION SUPÉRIEURE	SECTION INFÉRIEURE
Beefsteak	4	800	4	max	10	8
Côtelette grillée	4	600	4	max	12	8
Saucisse	8	500	4	max	10	6
Morceaux de poulet	6	800	3	max	30	20
Mixed grill	4	700	4	max	12	10
Desserts au lait	4	400	4	max	13	10
Tranches de tomates	8	500	4	max	12	--
Filets de poisson	4	400	4	max	8	6
Escalopes	6	---	4	max	12	--
Toasts	4	---	4	max	8	--
Tranches de pain	4	---	4	max	2-3	1

5. NETTOYAGE ET ENTRETIEN

Avant tout nettoyage ou entretien :

- Déconnecter la prise électrique
- Si le four est chaud, attendre qu'il se soit refroidi.
- Nettoyez les surfaces émaillées avec de l'eau chaude savonneuse ou avec des produits appropriés. N'utilisez en aucun cas de crème à récurer qui peuvent endommager les surfaces et nuire à l'apparence de la cuisinière. Il est très important de nettoyer le four après chaque usage.
- Utilisez des détergents et de la laine d'acier pour les grilles d'acier inoxydable.
- Les surfaces de verre comme le plan de cuisson, la porte du four et la porte du compartiment de chauffage ne peuvent être nettoyées que lorsqu'elles sont refroidies.
- Tout dommage dû au manque de respect de cette règle n'est pas couvert par la garantie.
- N'utilisez pas de crème à récurer, de tampons de laine d'acier, d'objets pointus, de tissus rugueux ni de produits chimiques ou détergents qui pourraient abîmer pour toujours le revêtement catalytique.
- Il est recommandé d'utiliser des plateaux profonds pour rôtir des aliments gras tels que des gigots etc. et de placer un plateau en-dessous pour récupérer la graisse en excès.
- Le nettoyage et l'entretien par l'utilisateur ne doit pas être fait par des enfants sans surveillance.
- Ne pas utiliser de nettoyeurs vapeur pour le nettoyage.

Nettoyage de la porte du four

Pour nettoyer à fond la porte du four, il est recommandé de l'enlever complètement, comme illustré plus bas.

Ouvrez complètement la porte, tournez les taquets des deux charnières à 180°. Refermez partiellement la porte de 30°. Enlevez la porte en la soulevant légèrement.

Pour replacer la porte, faites les mêmes opérations en sens inverse.

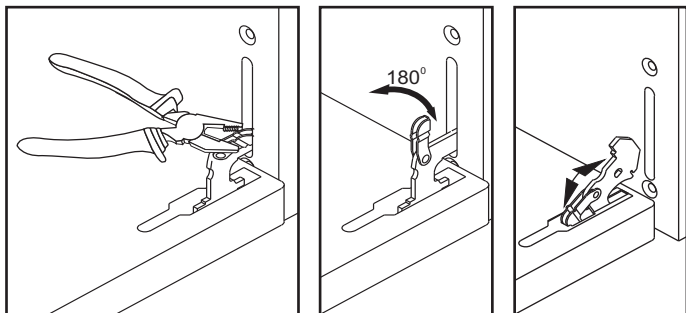
Avant tout entretien du plan de cuisson, laissez-le se refroidir.

Seuls des produits spécialement destinés aux surfaces de vitrocéramique peuvent être utilisés. Ils sont disponibles en quincaillerie.

Évitez de renverser, car tout produit tombant sur le plan de cuisson va rapidement cuire, ce qui rendra plus difficile le nettoyage.

Il est recommandé de conserver loin du plan de cuisson toutes les substances qui peuvent fondre, comme des produits en plastique, du sucre ou des produits à base de sucre.

Ne pas utiliser de nettoyeurs abrasifs ou de racloirs métalliques tranchants pour nettoyer la vitre de la porte du four car ils peuvent rayer la surface, entraînant des risques d'explosion.



ENTRETIEN

- Placez quelques gouttes du produit de nettoyage spécialisé sur la surface du plan de cuisson.
- Frottez les taches récalcitrantes avec un chiffon doux ou avec du papier absorbant légèrement humidifié.
- Essuyez avec un chiffon sec ou du papier de cuisine sec jusqu'à ce que la surface soit propre.

Si il reste des taches tenaces

- Placez quelques gouttes de plus du produit de nettoyage spécialisé sur la surface.
- Raclez avec un grattoir, en le tenant à un angle de 30° par rapport au plan de cuisson, jusqu'à ce que la tache ait disparu.
- Essuyez avec un chiffon sec ou du papier absorbant sec jusqu'à ce que la surface soit propre.
- Répétez l'opération si nécessaire.

QUELQUES CONSEILS

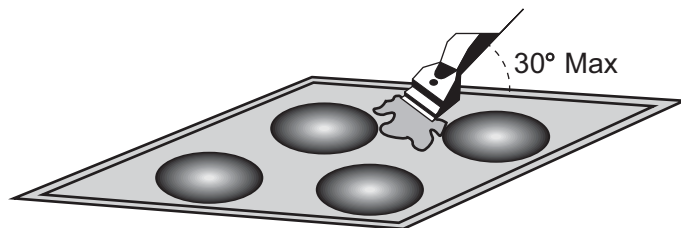
Un nettoyage fréquent laisse une couche de protection qui est essentielle pour éviter les griffes et l'usure. Assurez-vous que la surface soit propre avant d'utiliser à nouveau le plan de cuisson. Pour enlever des taches laissées par de l'eau, utilisez quelques gouttes de vinaigre blanc ou de jus de citron.

Puis essuyez avec du papier absorbant et quelques gouttes d'un liquide de nettoyage spécialisé.

Les boutons de contrôle peuvent être enlevés pour un nettoyage complet.

Cependant, faites bien attention à ne laisser aucun liquide pénétrer dans les zones ainsi ouvertes ; puis repoussez les boutons pour les remettre en place.

La surface de vitrocéramique supportera le raclement de casseroles à fond plat, cependant il vaut toujours mieux les soulever pour les déplacer d'un endroit à un autre.



N'utilisez pas une éponge trop mouillée.

N'utilisez jamais un couteau ou un tournevis.

Un racloir muni d'une lame de rasoir n'endommagera pas la surface s'il est tenu à un angle de 30°.

Ne laissez jamais un racloir muni d'une lame de rasoir à la portée d'enfants.

N'employez jamais de produits abrasifs ou de crème à récurer.

L'encadrement de métal

Pour nettoyer en toute sécurité l'encadrement de métal, lavez-le avec de l'eau savonneuse, puis rincez et séchez avec un chiffon doux.

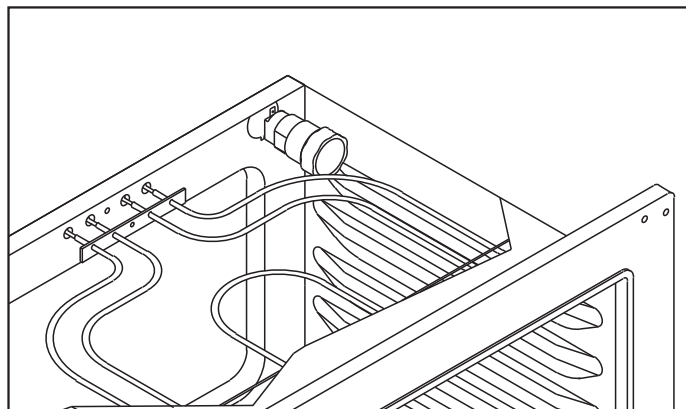
Remplacer l'ampoule intérieure

• Déconnectez l'alimentation électrique et dévissez l'ampoule.

Remplacez-la par une ampoule identique supportant de très hautes températures.

• N'employez jamais de la vapeur ni un vaporisateur pour le nettoyage.

AVERTISSEMENT: Assurez-vous que l'appareil est éteint avant de remplacer la lampe afin d'éviter les risques d'électrocution.



5.1. FOUR CATALYTIQUE AUTONETTOYANT

• Certains de nos modèles sont munis de panneaux autonettoyants spéciaux couverts d'un revêtement microporeux. Si votre cuisinière en est munie, vous ne devez plus vous occuper de nettoyer le four.

• Le revêtement, pour rester autonettoyant, doit être poreux.

• Des éclaboussements excessifs de graisse peuvent boucher les pores et donc gêner l'auto nettoyage. La capacité d'auto nettoyage peut être retrouvée en allumant le four vide sur la position maximum pendant 10 à 20 minutes.

• Si les parois du four sont tellement tachées de graisse que le revêtement catalytique n'est plus efficace, enlevez la graisse avec un chiffon doux ou une éponge trempée dans de l'eau chaude. Tous les revêtements catalytiques actuellement sur le marché ont une durée de vie d'environ 300 heures. Ils doivent donc être remplacés après environ 300 heures.

6. CENTRE DE MAINTENANCE ET RÉSOLUTION DE PROBLÈMES

- Si le four ne fonctionne pas, avant d'appeler le centre de maintenance, nous vous recommandons ce qui suit :
- Vérifiez que le four est correctement connecté à la prise électrique.

Le four ne chauffe pas

Les boutons de contrôle du four sont-ils sur la bonne position ?

La durée de cuisson est trop longue

Avez-vous sélectionné la bonne température ?

Il y a de la fumée qui sort du four

Il est recommandable de nettoyer le four après chaque utilisation. Si les éclaboussures de graisse projetées au cours de la cuisson des viandes ne sont pas nettoyées, elles vont causer des odeurs désagréables et de la fumée la prochaine fois que vous utiliserez le four. (Voir le chapitre Nettoyage et entretien)

La lumière du four ne s'allume pas

- L'ampoule peut être endommagée. Pour changer l'ampoule, reportez-vous à la page concernée.
- Après avoir vérifié ce qui précède, et si le four ne fonctionne toujours pas correctement, prenez contact avec le service agréé pour obtenir de l'aide. Pource faire, munissez-vous du nom du Modèle et du Numéro de l'appareil (PNC ou ENR).

Les zones de cuisson ne chauffent pas bien, ou seulement trop peu

N'utilisez que des casseroles à fond plat. Si on peut voir de la lumière entre la casserole et le plan de cuisson, la zone ne transmet pas correctement la chaleur.

Le fond de la casserole devrait couvrir entièrement le diamètre de la zone sélectionnée.

La cuisson est trop lente

Vous utilisez des casseroles qui ne sont pas appropriées. N'utilisez que des casseroles à fond plat ayant un diamètre au moins égal à celui de la zone de cuisson.

Il y a des éraflures ou des griffes dans la surface du plan de cuisson

Le nettoyage n'est pas fait correctement, ou vous utilisez des casseroles dont le fond n'est pas lisse ; des particules telles que des grains de sable ou de sel se glissent entre le plan de cuisson et le fond des casseroles. Voyez la section « Nettoyage » de ce manuel; assurez-vous que les fonds des casseroles soient propres avant de les employer, et n'utilisez que des casseroles dont le fond est bien lisse. Les griffes peuvent être évitées lorsque le nettoyage est fait correctement.

Marques de métal

Ne faites pas glisser des casseroles en aluminium sur le plan de cuisson.

Voyez les recommandations de nettoyage.

Vous employez des matériaux corrects, mais les taches persistent.

Utilisez une lame de rasoir et référez-vous à la section « Nettoyage ».

Taches sombres

Utilisez une lame de rasoir et référez-vous à la section « Nettoyage ».

Surfaces claires sur le plan de cuisson

Ce sont des marques faites par une casserole en aluminium ou en cuivre, mais également des dépôts minéraux, d'eau ou de nourriture ; ils peuvent être enlevés en employant le produit de nettoyage spécialisé.

Caramélisation ou plastique brûlé sur le plan de cuisson.

Voyez la section « Nettoyage ».

Le plan de cuisson ne fonctionne pas, ou certaines zones ne fonctionnent pas

Les connexions électriques ne sont pas correctes.

Faites vérifier que les connexions électriques suivent bien les instructions.

Le panneau de contrôle est bloqué

Débloquez le plan de cuisson.

Fréquence des opérations d'allumage/extinction des zones de cuisson

Les cycles allumage-extinction varient selon le niveau de chaleur nécessaire :

- Niveau bas : temps de fonctionnement court
- Niveau haut : temps de fonctionnement long

Affichage "H", l'indicateur de chaleur résiduel clignote

La température électronique est trop élevée. Un technicien doit vérifier si les connexions sont conformes aux instructions.

7. PROTECTION DE L'ENVIRONNEMENT

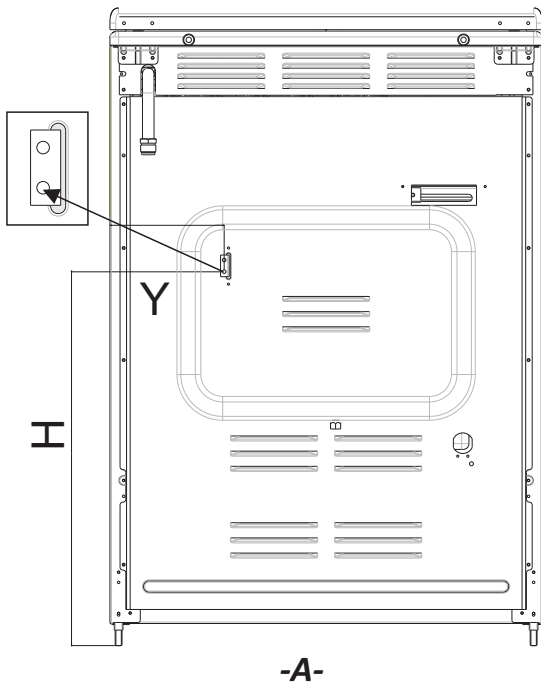


Le présent appareil est marqué conformément à la directive 2012/19/UE relative aux déchets d'équipements électriques et électroniques (DEEE).

Les DEEE contiennent à la fois des substances polluantes (qui peuvent avoir des conséquences négatives sur l'environnement) et des éléments de base (réutilisables). Il est important de soumettre les DEEE à des traitements spécifiques, en vue d'extraire et d'éliminer de façon appropriée toutes les substances polluantes, puis de récupérer et recycler tous les matériaux.

Chacun peut jouer un rôle important quant à la protection de l'environnement contre les DEEE. Pour atteindre cet objectif, il est impératif de suivre quelques règles élémentaires :

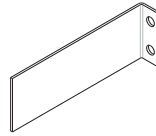
- Les DEEE ne doivent pas être traités comme des déchets ménagers.
- Ils doivent être remis aux points de collecte appropriés gérés par la municipalité ou par des sociétés immatriculées. Dans plusieurs pays, il est possible de collecter à domicile les DEEE volumineux.
- Lorsque vous achetez un nouvel appareil, vous devez retourner l'ancien au vendeur qui le récupère gratuitement, au cas par cas, à condition que l'équipement soit de type équivalent et possède les mêmes fonctions que celui fourni.



-A-

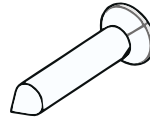
①

GB Wall Mounting fixture
FR Fixation murale



②

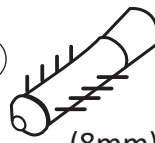
GB Screw (provide)
FR Vis (Fournir)



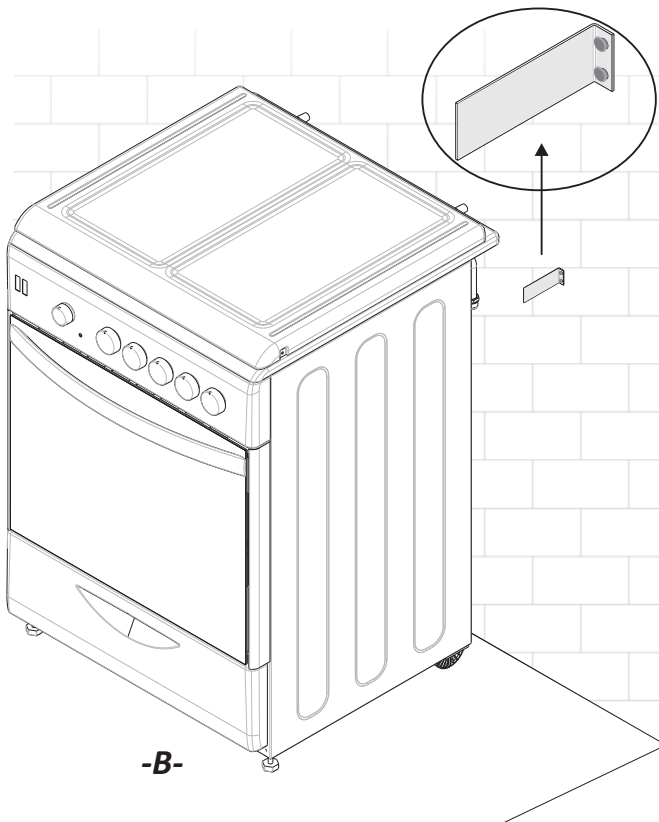
(4,8 mm x 32mm)

③

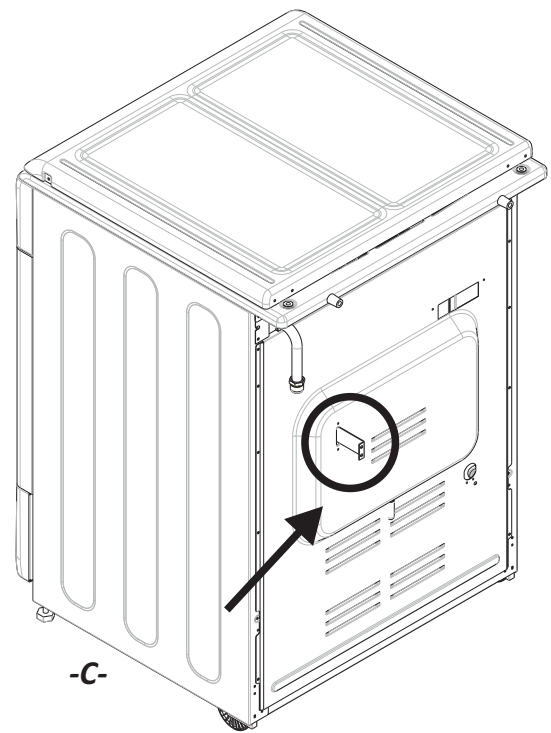
GB Dowel (provide)
FR Goujon (Fournir)



(8mm)



-B-



-C-

GB Please apply the following procedure while placing your oven.

- 1- Place your oven to the place of use and make its height and level adjustments.
 - 2- Determine the H and Y measure as indicated in the figure and mark the wall to which the oven will be fixed. (Figure A)
 - 3- Fix the wall mounting fixture (in the service pouch) on the wall using a dowel and screw (not provided). (Figure B)
 - 4- Push the oven backwards and make the fixture settle in the slot on the back side of the oven. (Figure C)
- The fixture will function when inserted 20 mm deep in its slot.

FR Veuillez respecter la procédure suivante lors de la fixation de votre four.

- 1- Placez votre four à son lieu d'utilisation puis réglez sa hauteur et son niveau.
- 2- Déterminez la mesure H et Y comme l'indique la figure, puis faites une marque sur le mur pour identifier l'endroit où le four sera fixé. (Figure A)
- 3- Fixez le dispositif (dans le sac de service) sur le mur en utilisant un goujon et des vis (non fournis). (Figure B)
- 4- Poussez le four vers l'arrière et procédez à la fixation dans la rainure, à l'arrière du four. (Figure C)

La fixation n'est effective que lorsqu'elle est d'une profondeur de 20 mm dans sa rainure.



11.2014 • REV:B • 42810809

FR

Le constructeur décline toute responsabilité concernant d'éventuelles inexactitudes imputables à des erreurs d'impression ou de transcription contenue dans cette notice. Le constructeur se réserve le droit de modifier les produits en cas de nécessité, même dans l'intérêt de l'utilisation, sans causer de préjudices aux caractéristiques de fonctionnement de sécurité des appareils.

GB

The manufacturer will not be responsible for any inaccuracy resulting from printing or transcript errors contained in this brochure. We reserve the right to carry out modifications to products as required, including the interests of consumption, without prejudice to the characteristics relating to safety or function.