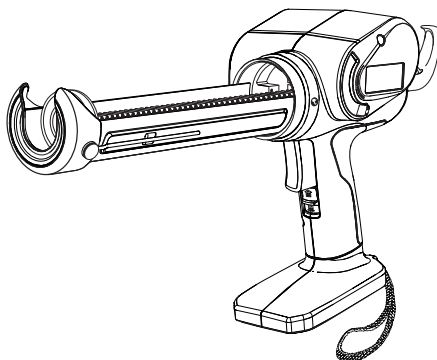


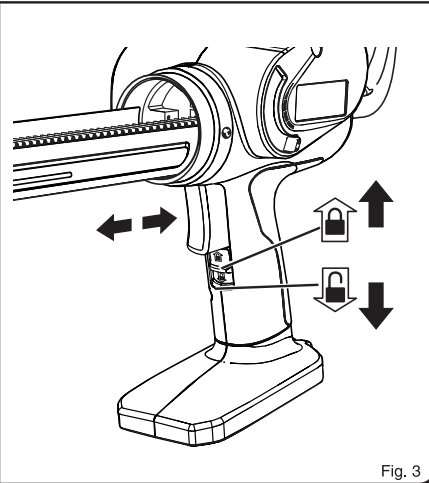
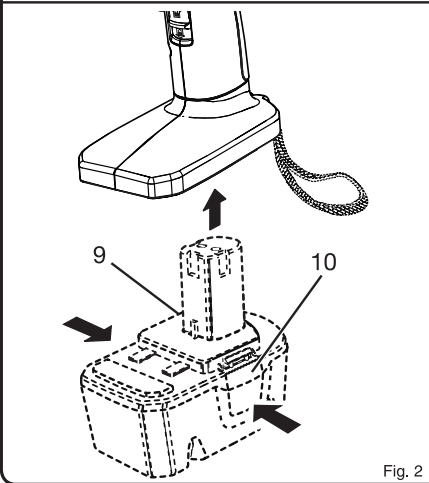
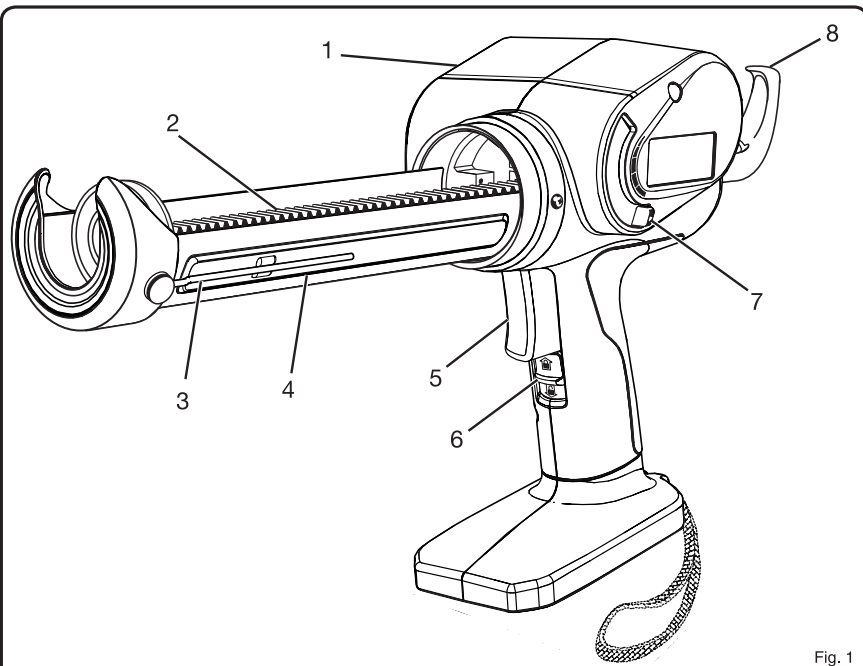
RYOBI®

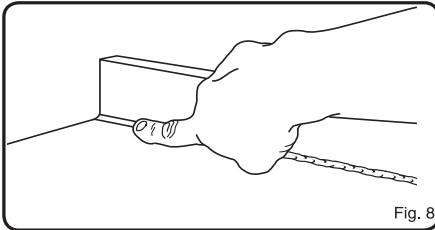
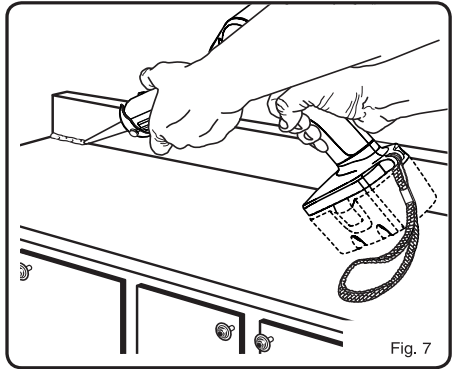
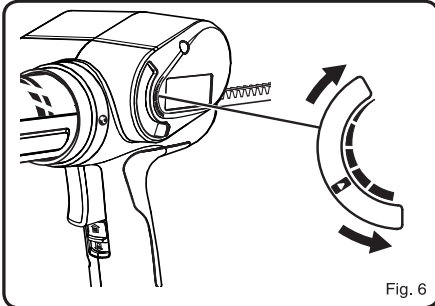
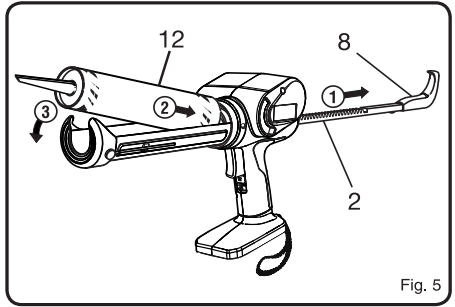
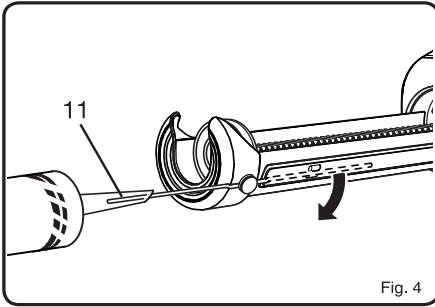
CCG-1801

(GB)	CORDLESS CAULKING GUN	USER'S MANUAL	1
(FR)	PISTOLET À COLLE SANS FIL	MANUEL D'UTILISATION	4
(DE)	AKKU-LEIMPISTOLE	BEDIENUNGSANLEITUNG	8
(ES)	PISTOLA DE COLA INALÁMBRICA	MANUAL DE UTILIZACIÓN	12
(IT)	PISTOLA PER COLLA A BATTERIA	MANUALE D'USO	16
(NL)	ACCU-LIJMPISTOOL	GEbruikersHANDLEIDING	20
(PT)	PISTOLA DE COLAR SEM FIO	MANUAL DE UTILIZAÇÃO	24
(DK)	BATTERIDREVEN LIMPISTOL	BRUGERVEJLEDNING	28
(SE)	SLADDLÖS FOG- OCH LIMPISTOL	INSTRUKTIONSBOK	31
(FI)	JOHDOTON KITTIPISTOOLI	KÄYTTÄJÄN KÄSIKIRJA	34
(NO)	OPPLADBAR LIMPISTOL	BRUKSANVISNING	37
(RU)	АККУМУЛЯТОРНЫЙ КЛЕЯЩИЙ ПИСТОЛЕТ	РУКОВОДСТВО ПО ЭКСПЛУАТАЦИИ	40
(PL)	BEZPRZEWODOWY PISTOLET DO KLEJU	INSTRUKCJA OBSŁUGI	43
(CZ)	AKUMULÁTOROVÁ LEPÍČÍ PISTOLE	NÁVOD K OBSLUZE	47
(HU)	KINYOMÓPISZTOLY, VEZETÉK NÉLKÜLI	HASZNÁLATI ÚTMUTATÓ	50
(RO)	PISTOL DE LIPIT FĂRĂ FIR	MANUAL DE UTILIZARE	54
(LV)	AKUMULĀTORA BLĪVĒ ANAS PISTOLE	LIETOTĀJA ROKASGRĀMATA	58
(LT)	BEVIELIS HERMETIKO PISTOLETAS	NAUDOJIMO VADOVAS	61
(EE)	JUHTEMEVABA VUUGIPŪSTOL	KASUTAJAJUHEND	64
(HR)	BEŽIČNI PIŠTOLJ ZA BRTVLJENJE	KORISNIČKI PRIRUČNIK	67
(SI)	BATERIJSKA TESNILNA PI TOLA	UPORABNI KI PRIROČNIK	70
(SK)	AKUMULÁTOROVÁ VYTLAČOVACIA PIŠTOL'	NÁVOD NA POUŽITIE	73
(GR)	KABLOSUZ YAPIŞTIRICI TABANCASI	ΟΔΗΓΙΕΣ ΧΡΗΣΗΣ	76
(TR)	KABLOSUZ KÖŞE ZİMPARA ALETİ	KULLANIM KILAVUZU	80

GB ORIGINAL INSTRUCTIONS **FR** TRADUCTION DES INSTRUCTIONS ORIGINALES **DE** ÜBERSETZUNG DER ORIGINALANLEITUNG **ES** TRADUCCIÓN DE LAS INSTRUCCIONES ORIGINALES **IT** TRADUZIONE DELLE ISTRUZIONI ORIGINALI **NL** VERTALING VAN DE ORIGINELE INSTRUCTIES **PT** TRADUÇÃO DAS INSTRUÇÕES ORIGINAIS **DK** OVERSÆTTELSE AF DE ORIGINALE INSTRUKTIONER **SE** ÖVERSÄTTNING AV DE URSPRUNGLIGA INSTRUKTIONERNA **FI** ALKUPERÄISTEN OHJEIDEN SUOMENNOS **NO** OVERSETTELSE AV DE ORIGINALE INSTRUKSJONENE **RU** ПЕРЕВОД ОРИГИНАЛЬНЫХ ИНСТРУКЦИЙ **PL** TŁUMACZENIE INSTRUKCJI ORYGINALNEJ **CZ** PŘEKLAD ORIGINÁLNÍCH POKYNŮ **HU** AZ EREDETI ÚTMUTATÓ FORDÍTÁSA **RO** TRADUCEREA INSTRUCȚIUNILOR ORIGINALE **LV** TULKOTS NO ORIGINĀLĀS INSTRUKCIJAS **LT** ORIGINALIŲ INSTRUKCIJŲ VERTIMAS **EE** ORIGINALIJEHENDI TÕLGE **HR** PRIJEVOD ORIGINALNIH UPUTA **SI** PREVOD ORIGINALNIH NAVODIL **SK** PŘEKLAD POKYNOV V ORIGINÁLI **GR** ΜΕΤΑΦΡΑΣΗ ΤΩΝ ΠΡΩΤΟΤΥΠΩΝ ΟΔΗΓΙΩΝ **TR** ORIJNAL TALIMATLARIN TERCÜMESİ







Important!	It is essential that you read the instructions in this manual before operating this machine.
Attention !	Il est indispensable que vous lisiez les instructions contenues dans ce manuel avant la mise en service de l'appareil.
Achtung!	Bitte lesen Sie unbedingt vor Inbetriebnahme die Hinweise dieser Bedienungsanleitung.
¡Atención!	Es imprescindible que lea las instrucciones de este manual antes de la puesta en servicio.
Attenzione!	Prima di procedere alla messa in funzione, è indispensabile leggere attentamente le istruzioni contenute nel manuale.
Let op !	Het is van essentieel belang dat u de instructies in deze gebruiksaanwijzing leest vooraleer u dit toestel in gebruik neemt.
Atenção!	É indispensável que leia as instruções deste manual antes de utilizar a máquina.
OBS!	Denne brugsanvisning skal læses igennem inden ibrugtagning.
Observera!	Det är nödvändigt att läsa instruktionerna i denna bruksanvisning innan användning.
Huomio!	On ehdottoman välttämätöntä lukea tässä käyttöohjeessa annetut ohjeet ennen käyttöönottoa.
Advarsel!	Det er meget vigtigt at du leser denne brukerveiledningen før du tar maskinen i bruk.
Внимание!	Перед сборкой и запуском инструмента необходимо прочесть инструкции из настоящего руководства.
Uwaga!	Przed przystąpieniem do użytkowania tego urządzenia, należy koniecznie zapoznać się z zaleceniami zawartymi w niniejszym podręczniku.
Důležitě upozornění!	Nepoužívejte tento přístroj dříve, než si přečtete pokyny uvedené v tomto návodu.
Figyelem!	Feltétlenül fontos, hogy a jelen használati útmutatóban foglalt előírásokat az üzembe helyezés előtt elolvassa!
Atenție!	Este esențial să citiți instrucțiunile din acest manual înainte de operarea acestui aparat.
Uzmanību!	Svarīgi, lai jūs pirms mašīnas darbināšanas izlasītu instrukcijas šajā rokasgrāmatā.
Dėmesio!	Prieš pradėdami eksploatuoti šį prietaisą, svarbu, kad perskaitytumėte šiose instrukcijose pateiktus nurodymus.
Tähtis!	Enne trelli kasutamata hakkamist tuleb käesolevas juhendis esitatud juhised kindlasti läbi lugeda.
Upozorenje!	Neophodno je da pročitate ove upute prije uporabe ovog uređaja.
Pomembno!	Pred uporabo tega stroja, obvezno preberite navodila iz tega priročnika.
Dôležitě!	Pre prácou s týmto zariadením je dôležité, by ste si prečítali pokyny v tomto návode.
Προσοχή!	Είναι απαραίτητο να διαβάσετε τις συστάσεις των οδηγιών αυτών πριν και τη θέση σε λειτουργία.
Dikkat!	Cihazın çalıştırılmasından önce bu kılavuzda bulunan talimatları okumanız zorunludur.

Subject to technical modifications / Sous réserve de modifications techniques / Technische Änderungen vorbehalten /
 Sujeto a modificaciones técnicas / Con riserva di eventuali modifiche tecniche / Technische wijzigingen voorbehouden /
 Com reserva de modificações técnicas / Med forbehold for tekniske ændringer / Med förbehåll för tekniska ändringar /
 Tekniset muutokset varataan / Med forbehold om tekniske ændringer / Могут быть внесены технические изменения /
 Z zastrzeżeniem modyfikacji technicznych / Změny technických údajů vyhrazeny / A műszaki módosítás jogát fenntartjuk /
 Sub rezerva modifațiilor tehnice / Paturam tiesības mainīt tehniskos raksturlielumus / Pasiliekan teisę daryti techninius pakeitimus /
 Tehnilised muudatused võimalikud / Podložno tehničkim promjenama / Tehnične spremembe dopuščene /
 Technické zmeny vyhradené / Υπό την επιφύλαξη τεχνικών τροποποιήσεων / Teknik değışiklik hakki saklıdır

English

SPECIFICATIONS

Voltage 18 V 
 No load speed
 - High 5.5 mm/s
 - Low 1 mm/s

MODEL	BATTERY PACK (not included)	CHARGER (not included)
CCG-1801	BPL-1820 BPL-1815	BCL-1800 BCS618 BCL1418
	BATTERY PACK (not included)	CHARGER (not included)
	BPP-1815 BPP-1815M BPP-1817 BPP-1817M	BCL-1800 BCS618 BCL1418 BC-1815S BC-1800

DESCRIPTION

- Caulk Gun
- Plunger Rod
- Puncture Tool
- Carriage Frame
- Switch Trigger
- Switch Lock
- Variable Selector
- Plunger Rod Handle
- Battery Pack (Not included)
- Latches
- Spout
- Caulk Tube (Not included)

OPERATION



WARNING

Do not allow familiarity with tools to make you careless. Remember that a careless fraction of a second is sufficient to inflict serious injury.



WARNING

Always wear safety goggles or safety glasses with side shields when operating tools. Failure to do so could result in objects being thrown into your eyes, resulting in possible serious injury.



WARNING

Do not use any attachments or accessories not recommended by the manufacturer of this tool. The use of attachments or accessories not recommended can result in serious personal injury.

APPLICATIONS

You may use this tool for the following purposes:

- Sealing cracks to keep your home's conditioned air inside while keeping unconditioned air outside, increasing your home's energy efficiency.
- Filling holes and cracks before painting.
- Creating a moisture barrier around areas that could be damaged by water.
- Sealing cracks to keep insects from crawling inside your home.
- Applying adhesive.

TO INSTALL BATTERY PACK (NOT INCLUDED) (Fig. 2)

- Lock the switch trigger by sliding the switch lock up.
- Place the battery pack on the tool.
- Make sure the latches on each side of the battery pack snap into place and the battery pack is secured on the tool before beginning operation.



CAUTION

When placing battery pack in the tool, be sure raised rib on battery pack aligns with the bottom of the drill and latches into place properly. Improper installation of the battery pack can cause damage to internal components.

TO REMOVE BATTERY PACK (NOT INCLUDED) (Fig. 2)

- Lock the switch trigger by sliding the switch lock up.
- Depress the latches on the side of battery pack.
- Remove the battery pack from the tool.

BATTERY PROTECTION FEATURES

Ryobi 18 V lithium-ion batteries are designed with features that protect the lithium-ion cells and maximize battery life. Under some operating conditions, these built-in features may cause the battery and the tool it is powering to act differently from nickel-cadmium batteries.

During some applications, the battery electronics may signal the battery to shut down, and cause the tool to stop running. To reset the battery and tool, release the trigger and resume normal operation.

NOTE: To prevent further shut down of the battery, avoid forcing the tool.

OPERATION

If releasing the trigger does not reset the battery and tool, the battery pack is depleted. If depleted, the battery pack will begin charging when placed on the lithium-ion charger.

STARTING/STOPPING THE CAULK GUN (Fig. 3)

Before attempting to start the caulk gun, be sure the switch lock is in the unlocked position.

- To turn the caulk gun ON, depress the switch trigger.
- To turn the caulk gun OFF, release the switch trigger.

LOCKING THE SWITCH TRIGGER (Fig. 3.)

The switch trigger of the caulk gun can be locked off using the slide switch located below the switch trigger.

- To lock the switch trigger, slide the switch lock up. This will prevent the caulk gun switch trigger from being depressed.
- To unlock the switch trigger, slide the switch down. This will allow the caulk gun switch trigger to be depressed.

LOADING CAULK (NOT INCLUDED) (Fig. 4 - 5)

- Lock the switch trigger by sliding the switch lock up.
- Using a utility knife, cut off the tip of the spout on a standard 10 oz. tube of caulk. Cut the tip at a 45° angle.
- Remove as little as possible, taking into consideration the size of the "bead" of caulk you need.
- Check for a second inner seal at the base of the spout. If found, insert the puncture tool inside the spout to break the seal before using. If using a partially filled tube, use the puncture tool to remove any hardened material from the tip.

Note: An inner seal is usually found only in cardboard caulk tubes.

- While holding the caulk gun steady with one hand, pull the handle of the plunger rod away from the caulk gun. Continue pulling until plunger base reaches the back of the carriage frame.
- Load the caulk tube into the carriage frame, making sure it is well seated at both ends.

ELECTRONIC OVERLOAD PROTECTION

The caulk gun is protected by an electronic overload protection feature. If too much pressure is exerted on the tube, the motor will shut down. This helps to prevent damage to the tool and the caulk tube. If the motor shuts off, make sure that:

- Nozzle tip is cut
- Inner seal in the caulk tube is broken
- Hardened material is removed from the nozzle

- Caulk tube is not damaged or frozen
- Plunger rod is free of caulk/adhesive materials

Release the trigger and wait for 3 to 5 seconds to allow the electronics to reset. If the motor again shuts off, move the variable speed selector to the middle position and press the trigger again. If the motor continues to shut off, try another tube of material or take the tool to an authorized service center.

**WARNING**

Battery tools are always in operating condition. Therefore, switch should always be locked when not in use or carrying at your side.

APPLYING CAULK (Fig. 6 - 8)

- Prepare the surface to be caulked by removing any dust, dirt, or remnants of old caulking. Make sure the area to be caulked is clean and dry.
- Set the speed of the caulk gun to match your application needs, using just enough caulk to do the job. Experiment in an out-of-the-way area to find the best speed to use to deliver the caulk bead you want.
- Hold the gun at a slight angle. If filling a crack, insert the spout into the crack, if possible; otherwise, run the caulk gun along the surface.
- Squeeze the trigger on the caulk gun, allowing the caulk to extrude from the tube tip.

Note: If the bead of caulk is too narrow, re-cut the nozzle to provide a larger opening. However, it is better to apply a thin bead of caulk and add a little more if necessary than to apply too much and attempt to remove the excess.


- Carefully move the caulk gun at an even pace along the gap to be filled as you continue to depress the switch trigger. Make sure the caulk comes in full contact with both application surfaces. If necessary, use your finger to gently press the caulk into a corner or crack.


Note: The best fill is usually achieved by pushing the caulk out into the gap in a forward motion. However, in some cases (particularly where the side materials are rough or uneven), a pulling motion may work better as the cartridge will be less likely to get snagged along the joint.


- The motor will shut off automatically when a caulk tube becomes empty. Pull the plunger rod back and replace the caulk tube as necessary.
- To end the caulk bead, release the switch trigger.
- Draw a moistened finger or other "smoothing tool" along the caulk bead after applying. This will help the caulk adhere to the application surfaces and will create a clean, finished appearance.
- Use a damp towel or rag to clean off any excess caulk.

English

MAINTENANCE


 **WARNING**
When servicing, use only identical replacement parts. Use of any other parts may create a hazard or cause product damage.

 **WARNING**
Always wear safety goggles or safety glasses with side shields during power tool operation or when blowing dust. If operation is dusty, also wear a dust mask.

 **WARNING**
To avoid serious personal injury, always remove the battery pack from the tool when cleaning or performing any maintenance.

GENERAL MAINTENANCE

Avoid using solvents when cleaning plastic parts. Most plastics are susceptible to damage from various types of commercial solvents and may be damaged by their use. Use clean cloths to remove dirt, dust, oil, grease, etc.


 **WARNING**
Do not at any time let brake fluids, gasoline, petroleum-based products, penetrating oils, etc., come in contact with plastic parts. Chemicals can damage, weaken or destroy plastic which may result in serious personal injury.

To work properly, the plunger rod of the tool must remain clean and free of all caulk and adhesive material. If material does get on the plunger rod mechanism, clean the material off according to the directions of the caulk or adhesive manufacturer.







When the tool is shut off by the electronic overload protection system, always wait for 3 to 5 seconds before depressing the trigger for restart. Frequently depressing and releasing the trigger under these circumstances may cause interior damage to the caulk gun.

Only the parts shown on the parts list are intended to be repaired or replaced by the customer. All other parts should be replaced at an Authorized Service Center.

ENVIRONMENTAL PROTECTION

 Recycle raw materials instead of disposing as waste.
The machine, accessories and packaging should be sorted for environmental-friendly recycling.

SYMBOL

-  Safety Alert
- V Volts
- min⁻¹ Revolutions or reciprocations per minute
-  Direct current
-  CE Conformity
-  Please read the instructions carefully before starting the machine.
-  Recycle unwanted
-  Waste electrical products should not be disposed of with household waste. Please recycle where facilities exist. Check with your Local Authority or retailer for recycling advice.