

WINE STORAGE
USE & CARE GUIDE

GUÍA DE USO Y MANTENIMIENTO

GUIDE D'UTILISATION ET D'ENTRETIEN

GUIDA ALL'USO E ALLA MANUTENZIONE

BEDIENUNGS-UND PFLEGEANLEITUNG





SUB-ZERO® is a registered trademark of Sub-Zero, Inc.

Contents

Sub-Zero Wine Storage	4
Wine Storage Features	4
Wine Storage Models	5
Wine Storage Use & Care	7
Keeping Wine at Its Best	12
Troubleshooting Guide	13
Service Information	14

Features and specifications in this guide and on the website are subject to change at any time without notice. Check our website, www.subzero.com, for the most up-to-date specifications.

Indice

Cantina per vini Sub-Zero	40
Funzioni della cantina per vini	40
Modelli delle cantine per vino	41
Uso e manutenzione della cantina per vini	43
Per conservare i vini in maniera eccellente	48
Guida alla soluzione dei problemi	49
Informazioni per l'assistenza	50

Le funzioni e le specifiche indicate in questa guida e sul sito Web sono soggette a modifica in qualsiasi momento, senza preavviso. Per aggiornamenti in merito, consultare il nostro sito Web, www.subzero.com.

Contenido

Conservador de vino de Sub-Zero	16
Características del conservador de vino	16
Modelos del conservador de vino	17
Uso y mantenimiento del conservador de vino	19
Cómo mantener el vino en perfecto estado	24
Guía de localización y solución de problemas	24
Información de mantenimiento	26

Las características y especificaciones de esta guía y de la página web están sujetas a cambios sin previo aviso. Visite nuestra página web, www.sub-zero.eu.com, para obtener las especificaciones más actualizadas.

Inhaltsverzeichnis

Weinlagerung mit Sub-Zero	52
Weinlagerungsfunktionen	52
Weinlagerungsmodelle	53
Bedienungs- und Pflegeanleitung zum Weinlagerungsgerät	55
Optimale Aufbewahrung von Weinen	60
Anleitung zur Fehlerbehebung	61
Serviceinformationen	62

Die in dieser Anleitung und auf der Website beschriebenen Leistungsmerkmale und technischen Daten unterliegen jederzeit Änderungen ohne Vorankündigung. Die aktuellsten technischen Daten finden Sie auf unserer Website www.subzero.com.

Table des matières

Caves à vin Sub-Zero	28
Caractéristiques des caves à vin	28
Modèles des caves à vin	29
Utilisation et entretien des caves à vin	29
Conservation optimale du vin	31
Guide de dépiantage des pannes	37
Service après-vente	38

Les caractéristiques et spécifications indiquées dans ce guide ainsi que sur le site Internet peuvent être modifiées sans préavis. Pour prendre connaissance des dernières spécifications, consultez notre site Internet, www.subzero.com.

Thank You

Thank you for purchasing your new Sub-Zero wine storage unit. The ultimate in beauty, engineering, detailing and functionality, this wine storage equipment continues the Sub-Zero tradition of superior quality and reliability, giving you the peace of mind that your wine is stored properly, at the exact temperature you select.

This use & care guide will answer most of your questions about the features, operation and maintenance of your wine storage unit. If you have questions that are not addressed here, contact your dealer.

Important Note

To ensure the safe and efficient use of Sub-Zero equipment, please take note of the following types of highlighted information throughout this guide:

IMPORTANT NOTE highlights information that is especially important.

CAUTION signals a situation where minor injury or product damage may occur if instructions are not followed.

WARNING states a hazard that may cause serious injury or death if precautions are not followed.

Wine Storage Features

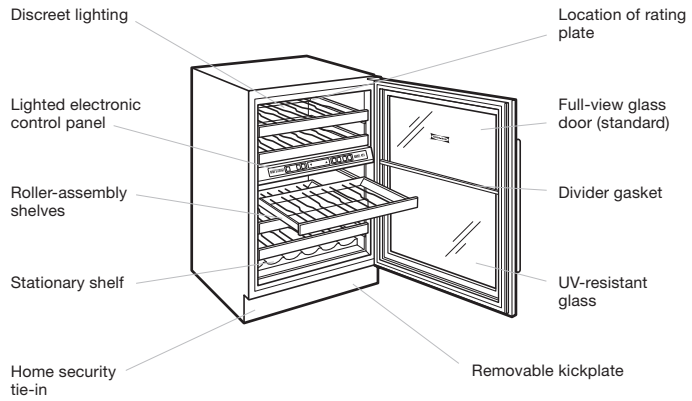
- Dual temperature zones—all wine storage models allow you to have precise independent temperature control within one degree of your preset temperature in each of the two temperature zones.
- Model ICB427R has a third temperature zone—refrigerator drawers—for items to be stored at a cooler temperature than your wine.
- Electronic controls—a microprocessor controls all electronic functions and allows you to monitor the exact temperature you have preset and make adjustments easily.
- Correct temperature—each temperature zone of your wine storage unit has a range of 3°C to 18°C, and your set temperature is shown in the LED display, located on the control panel.
- Proper humidity is maintained throughout the entire unit.
- Discreet lighting—our soft low-wattage lighting can be controlled independently of the door's opening, which will allow you to display your collection of wine for special occasions.
- Sturdy, rustproof wire shelves can easily accommodate standard 750 ml bottles, half bottles, as well as magnums. Finished off with a natural cherry wood facing, all shelves ensure that the wine is stored properly, with the corks in contact with the bottles' contents.
- Roller-assembly shelves with a full three-quarter extension for easy access to all stored bottles.
- Display shelf—featured on models ICB427, ICB427R and ICBWS-30, this shelf allows you to display those prized bottles in your wine collection. It is illuminated with discreet lighting mounted in the control panel.
- Service alert—a indicator light in the LED display on the control panel will let you know if service may be necessary.
- Home alarm—wiring connections give you the option of hooking the wine storage unit up to your home security system.
- Model ICB427R has an alarm feature that will make an audible beeping sound if a drawer has been left open.
- Sabbath mode will allow the lights to remain off during certain religious observances.
- UV-resistant glass in the door filters out harmful UV light.
- Optional lock—lock is available as a sales accessory. Contact your Sub-Zero dealer for details.
- Magnetic gaskets around the doors give extra-tight seals.
- The solid, adjustable kickplate gives a true built-in look and conforms to American Institute of Architects standards.
- Front venting—all Sub-Zero wine storage models are designed for mechanical system airflow at the front of the unit.



With the installation of a harness kit, these appliances are Star-K compliant to meet strict religious regulations in conjunction with specific instructions found on www.star-k.org. For details about the harness kit, contact your Sub-Zero dealer.

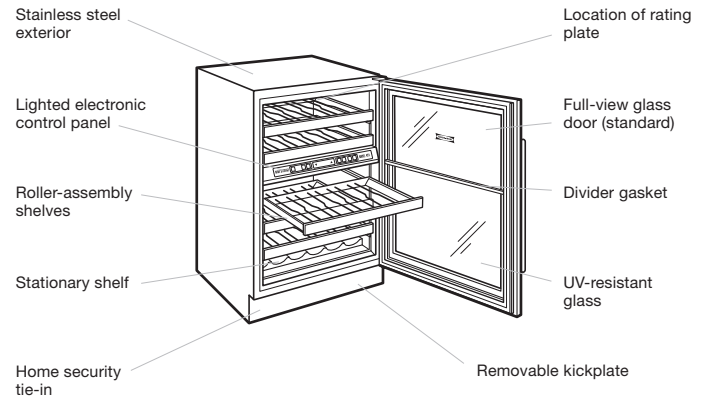
Model ICB424

UNDERCOUNTER WINE STORAGE



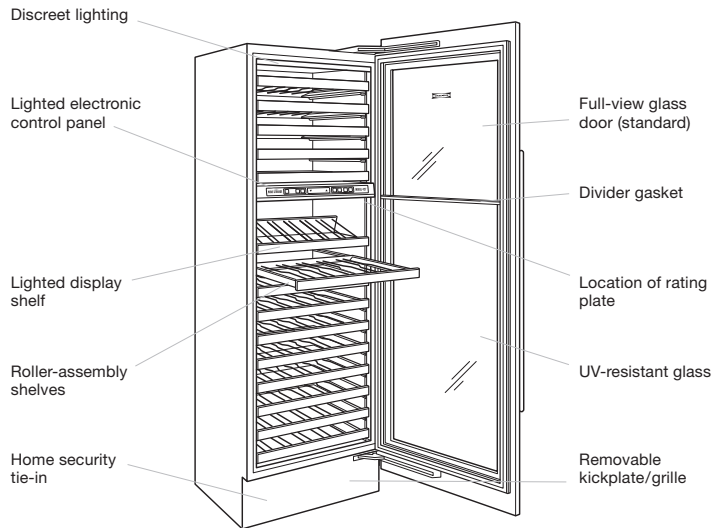
Model ICB424FS

FREE-STANDING WINE STORAGE



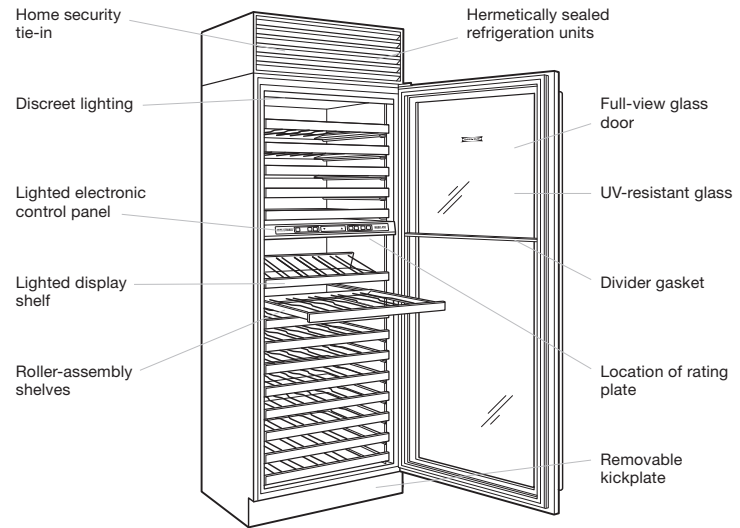
Model ICB427

ALL WINE STORAGE



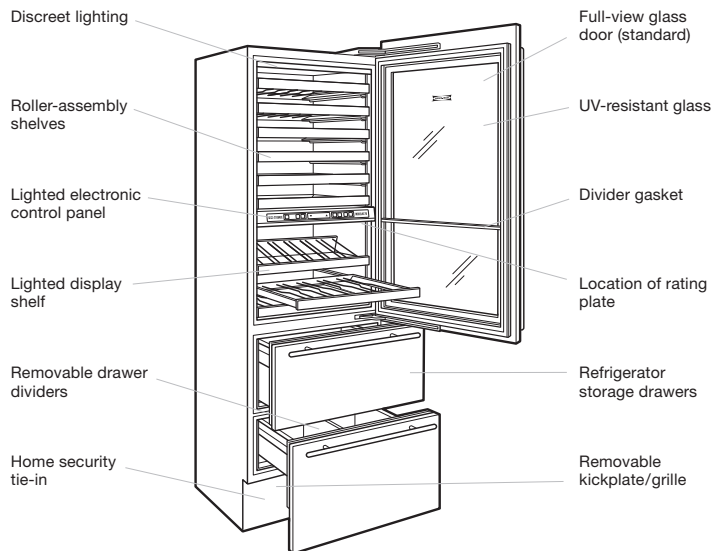
Model ICBWS-30

ALL WINE STORAGE



Model ICB427R

WINE STORAGE WITH REFRIGERATOR DRAWERS



Electronic Control System

The electronic control system of your Sub-Zero wine storage unit gives you the most accurate temperature control for your peace of mind. You can be assured your wine is stored at the temperature you have selected, whether it is long-term aging or staging wine for consumption that evening.

A microprocessor accurately samples the temperature every second in each zone to be sure the temperatures stay within one degree of your preset temperatures. It also monitors the unit's operation and will let you know if service may be necessary.

TEMPERATURE CONTROL

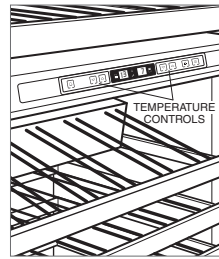
With all wine storage models you have the capability of setting two distinct temperatures within the two zones of your wine storage unit. Your model has been thoroughly tested and inspected before it was shipped from the factory. The temperature has been preset at 7°C in the smaller zone and 13°C in the larger zone.

There are two sets of \triangle and ∇ key pads on the control panel, one for each of the two separate temperature zones. An arrow next to the temperature in the LED display, will indicate which temperature corresponds with each zone. Refer to the illustration below.

The ∇ key pad on the control panel allows you to decrease the temperature in the corresponding zone by one degree each time you depress the key pad.

Remember that the temperature range in each zone is 3°C to 18°C and you can set two different temperatures—one for each zone.

Similar to the ∇ key pad, you can raise the temperature in the corresponding zone by one degree each time you depress the \triangle key pad on the control panel.



Electronic control panel.

LED DISPLAY

Electronic control system functions, such as digital temperatures and service indicators, are shown in the LED display, located on the control panel. The temperatures of each zone will be visible through the glass door of your wine storage unit. If you are using your unit frequently, the numbers may fluctuate.

UNIT ON/OFF

The ⓪ key pad on the control panel will shut off all electrical power to the wine storage unit for cleaning or service.

LIGHTS ON/OFF

All wine storage units have the capability of having the lights on independently of the door's opening and closing. This will allow you to display your collection of wine for special occasions.

To have the lights remain on independently of the door's opening and closing, press the ⓪ key pad. Press the key pad again to have the lights to go off when the door is closed.

⚠ CAUTION

You should not leave the lights on overnight or for extremely long periods of time. The heat from the lights will cause the unit to work unnecessarily hard.

ALARM FEATURE

If the microprocessor detects temperature fluctuations or a faulty component, you will hear an audible beep and a ⓪ symbol will flash in the LED display on the control panel. Also, if the unit is tied in with your home security, it will alert this system. You can deactivate the alarm feature and the audible sound by depressing the ⓪ key pad. If the alarm is deactivated, the ⓪ symbol will not be visible in the LED display.

SABBATH MODE (STAR-K)

All wine storage units feature the Sabbath mode. This is for certain religious observances where the lights need to be turned off.

To initiate Sabbath mode, while the unit is on press the ⓪ key pad so that OFF is visible in the LED display on the control panel. Your unit will be off.

Then press and hold the ⓪ key pad for 10 seconds. This will turn the unit back on and will disable the lights. To return the unit to normal lighting, press and release the ⓪ key pad.

If you have questions about Star-K compliance, visit www.star-k.org.

VISUAL SERVICE DISPLAY

The electronic control system monitors temperatures as well as the unit's operation. If there is a temperature or operation problem, you will notice the ⓪ symbol illuminated in the LED display on the control panel. Before calling for service, please check to see if your condenser area needs cleaning. Refer to condenser cleaning on page 11.

Refrigerator Drawers—Model ICB427R

TEMPERATURE CONTROL

For model ICB427R, the refrigerator drawers have their own microprocessor and control panel located in the top drawer. The preset temperature is 3°C from the factory, but you have the option of adjusting the temperature within the range of 1°C to 7°C. The LCD display on the control panel displays the actual temperature of both drawers in your unit.

The ▽ key pad on the control panel allows you to decrease the temperature of the drawers by one degree each time you depress the key pad. You can raise the temperature in the drawers by one degree each time you depress the △ key pad on the control panel.

ALARM FEATURE

For model ICB427R, an alarm will make an audible beeping sound if a drawer has been left open accidentally.

When the alarm is activated, a 🔔 symbol will be illuminated in the LCD display of the control panel. When the alarm is deactivated, the 🔔 symbol will not be visible.

Temperature Settings

In all instances, the temperature settings are your individual preference, and with the wine storage model you purchased, you can be confident the unit will maintain those temperatures. A chart with suggested storing and serving temperatures can be found on page 12.

While each temperature zone of your wine storage unit has a range of 3°C to 18°C, you can set the temperatures at the exact temperature you think best—whether it's for consumption or for duplicating the temperatures of cellars for long term storage.

Wine Storage

WINE STORAGE SHELVES

All Sub-Zero wine storage models have roller-assembly shelves with a full three-quarter extension for easy access to all stored bottles.

IMPORTANT NOTE: Models ICB424 and ICB424FS have roller-assembly shelves in all instances with the exception of the bottom stationary shelf.

The shelves have a solid natural cherry wood facing that can be replaced with other wood to match your cabinetry. Details on how to replace the shelves' wood facing can be found in the Sub-Zero design guide.

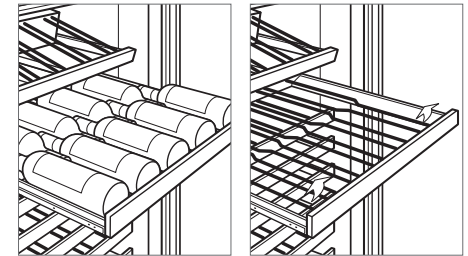
IMPORTANT NOTE: If you choose to stain or seal the shelves' natural cherry wood facing, be aware that some of these substances are hazardous and will damage stored wine.

Your wine storage unit is intended to maximize the storage of bottles in an ideal environment where the wine stays in contact with the cork at an even temperature. Refer to the illustration for the proper arrangement of bottles on the shelves.

If you are storing half bottles or magnums, they are nestled in the shelves in the same manner as the 750 ml bottles.

▲ CAUTION

When storing magnum bottles you must remove the shelf just above the intended storage shelf to allow for these larger bottles to be moved in and out of the unit. Failure to do so will cause the bottles to break.



Wine storage arrangement.

Wine storage shelf removal.

WINE STORAGE SHELF REMOVAL

To remove a wine storage shelf, pull the shelf out to its full extension, gently and evenly lift up on both sides of the front of the shelf and remove. Refer to the illustration above. Reverse the procedure to reinstall the shelf.

▲ CAUTION

Be sure to unload all bottles from the wine storage shelf before removing it.

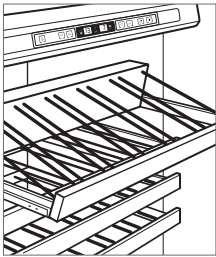
Wine Storage

DISPLAY SHELF

Models ICB427, ICB427R and ICBWS-30 feature a display shelf that allows you to display those prized bottles in your wine collection. It is illuminated with discreet lighting mounted in the control panel. The display shelf is designed so that the wine will stay in proper contact with the cork. Refer to the illustration below.

IMPORTANT NOTE: The display shelf is designed for only one row of bottles laid in such a way that the bottom portion of the bottle is against the wood rail and the top and cork of the bottle are toward the back of the wine storage unit.

IMPORTANT NOTE: Models ICB424 and ICB424FS do not include the display shelf.



Display shelf.

DISPLAY SHELF REMOVAL

To remove the display shelf, pull the shelf out to its full extension, gently and evenly lift up on both sides of the front of the shelf and remove. Reverse the procedure to reinstall the shelf.

⚠ CAUTION

Be sure to unload all bottles from the wine storage shelf before removing it.

Refrigerator Drawers—Model ICB427R

DRAWER REMOVAL

IMPORTANT NOTE: For model ICB427R, you must disconnect the control cable before removing the top drawer. Refer to the illustration below.

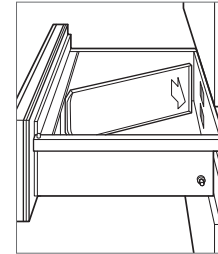
To remove a drawer from the model ICB427R, pull the drawer open until it stops. Lift up evenly on both sides of the drawer front and pull out, as shown in the illustration below.

IMPORTANT NOTE: Be sure to unload the contents before removing the drawer.

To replace a drawer, raise the front of the drawer up and place onto the drawer slide tracks. Be sure to engage the front holes of the drawer slide with the small pegs at the end of each rail.

⚠ CAUTION

Before removing the top drawer of the model ICB427R, you **MUST** disconnect the control cable.

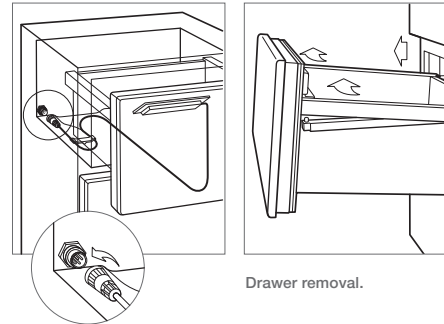


Drawer divider.

DRAWER DIVIDER

Each drawer of the model ICB427R has a divider that can be easily removed.

To remove, pull the drawer divider forward and pivot the back edge of the divider away from the back of the drawer. Reverse the procedure to reinstall the divider. Refer to the illustration above.



Control cable.

Drawer removal.

Door Operation

DOOR CLOSING

The door of your wine storage unit has a spring-loaded closure mechanism. As the door is closed, the door closer engages to help close and seal the door.

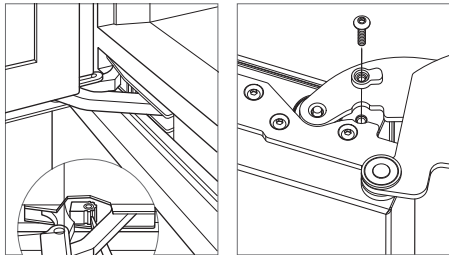
90° DOOR STOP

If your wine storage unit is positioned in a corner, you may want to limit the door opening to 90°.

IMPORTANT NOTE: A 90° door stop is not available for models ICB424 and ICB424FS.

For models ICB427 and ICB427R, a 90° door stop built into the hinge system. You can easily actuate the stop by using a blade-type screwdriver and rotating the brass cam in both the top and bottom hinges. You must position both stops at 90° if you want to safely use the door. You can go to the maximum of a 105° door opening by using the screwdriver and rotating the brass cam to the next stop. Refer to the illustration below.

For model ICBWS-30, a 90° door stop ships with the unit and is located behind the flip-up grille. Refer to the illustration below.



90° door stop (models ICB427 and ICB427R).

90° door stop (model ICBWS-30).

⚠ WARNING

The door swing on models ICB427 and ICB427R may cause severe finger pinching. Watch that fingers are not placed in the door opening on the hinge side when the door is open.

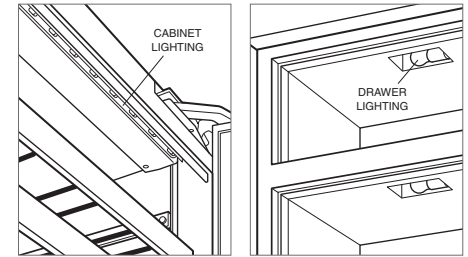
Lighting Information

CABINET LIGHTING

For models ICB424 and ICB424FS, rope-style lighting is mounted to the top of the cabinet and cascades down the entire front of the unit.

Models ICB427, ICB427R and ICBWS-30 have discreet lighting provided in two places. Rope-style lighting is mounted to the top of the cabinet and additional lighting is mounted in the control panel to illuminate the display shelf. Refer to the illustration.

These lights have an extended life and it should be some time before they need to be replaced. If you have problems with the cabinet lighting or need replacements, contact your Sub-Zero dealer.



Cabinet lighting (models ICB427, ICB427R and ICBWS-30).

Drawer compartment lighting (model ICB427R).

⚠ WARNING

Shut off power to the unit before replacing light bulbs. Wear protective gloves when handling bulbs.

DRAWER LIGHTING—MODEL ICB427R

Lighting is recessed into the top area of each refrigerator drawer compartment of model ICB427R. Refer to the illustration above.

To replace a light bulb in the drawer compartment, you must pull the drawer out to its maximum extension. It is recommended that you remove the drawer. Refer to page 9 for the drawer removal procedure.

Remove the 15-watt bulb by unscrewing it from its socket and complete the reinstallation by following the reverse steps.

Cleaning

STAINLESS STEEL EXTERIOR

Classic stainless steel finish: To clean the exterior of the classic stainless steel finish, use a soft, nonabrasive stainless steel cleaner and apply with a soft 100% lint-free cloth.

Different light types and source locations can result in variations in shading on different components and areas of large appliances.

To bring out the natural luster of the finish, lightly wipe the surface with a water-dampened microfiber cloth followed by a dry polishing chamois. All work should follow the grain direction of the finish. Better results are obtained by keeping the cloth in continuous contact with the stainless steel.

▲ CAUTION

Under no circumstances should you use a metallic or highly abrasive cleaner or cloth, as this will scratch the classic stainless steel finish.

GLASS DOOR CLEANING

The glass door panel can be cleaned using any standard glass cleaner available on the market today.

INTERIOR CLEANING

To clean interior surfaces and removable parts, wash with a mild solution of soap and lukewarm water with a little baking soda. Do not use vinegar. Rinse and dry thoroughly. Avoid getting water on lights, control panel and the solid cherry wood facing on the shelves.

Do not use abrasive cleaners or cloths on any of the interior or exterior surfaces, including the glass door panel.

▲ CAUTION

Before cleaning the unit, shut off power to the unit at the control panel.

CONDENSER CLEANING

Clean the condenser area every three to six months. The cleaning schedule will depend on the amount of dust and lint that accumulates in this area.

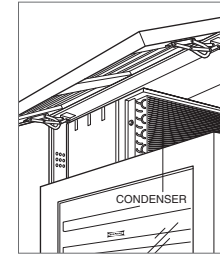
For models ICB424 and ICB424FS, the condenser is located behind the kickplate. First, remove the kickplate to expose the condenser area. Refer to the illustration below.

The condenser for models ICB427 and ICB427R is located behind the kickplate/grille. Remove the screws holding the kickplate/grille. This assembly will slide forward easily, giving you access to the condenser area. Refer to the illustration below.

For model ICBWS-30, the condenser is located behind the grille. First, pull out on the bottom edge of the grill and tilt forward. Refer to the illustration.

Use a soft bristle brush and vacuum hose to remove dust and lint from the condenser area.

IMPORTANT NOTE: To avoid bending the condenser fins, be sure to vacuum in the direction of the fins (up and down).



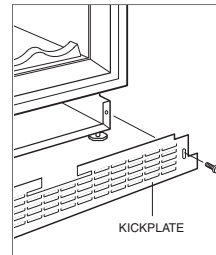
Location of condenser (model ICBWS-30).

▲ CAUTION

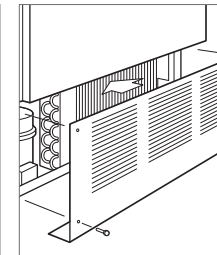
Before cleaning the condenser, shut off power to the unit at the control panel. When you clean the condenser, wear gloves to avoid injury from the sharp condenser fins.

▲ CAUTION

Failure to clean the condenser could result in temperature loss or mechanical failure or damage.



Location of condenser (models ICB424 and ICB424FS).



Location of condenser (models ICB427 and ICB427R).

Storing and Serving Wine

There is a right way to store and serve wine. And there is a wrong way. The Sub-Zero wine storage equipment is committed to the right way. Wine enthusiasts know that wine, optimally, likes to be stored for long periods of time in caves that are vibration free, dark, damp and kept at a constant 13°C. However, how many of us have these situations available?

When you think about wine, think about preserving fruit and the fact that you must refrigerate it at the proper temperature before it spoils. After all, wine is the juice of grapes in its simplest interpretation.

Wine needs to be selected and cared for properly. The wine aficionado knows that proper storage will ensure the wine is served at the best conditions.

You have taken the extra step to ensure that your wine is kept in the best possible environment by purchasing your Sub-Zero wine storage unit. Now how you use the unit is up to you.

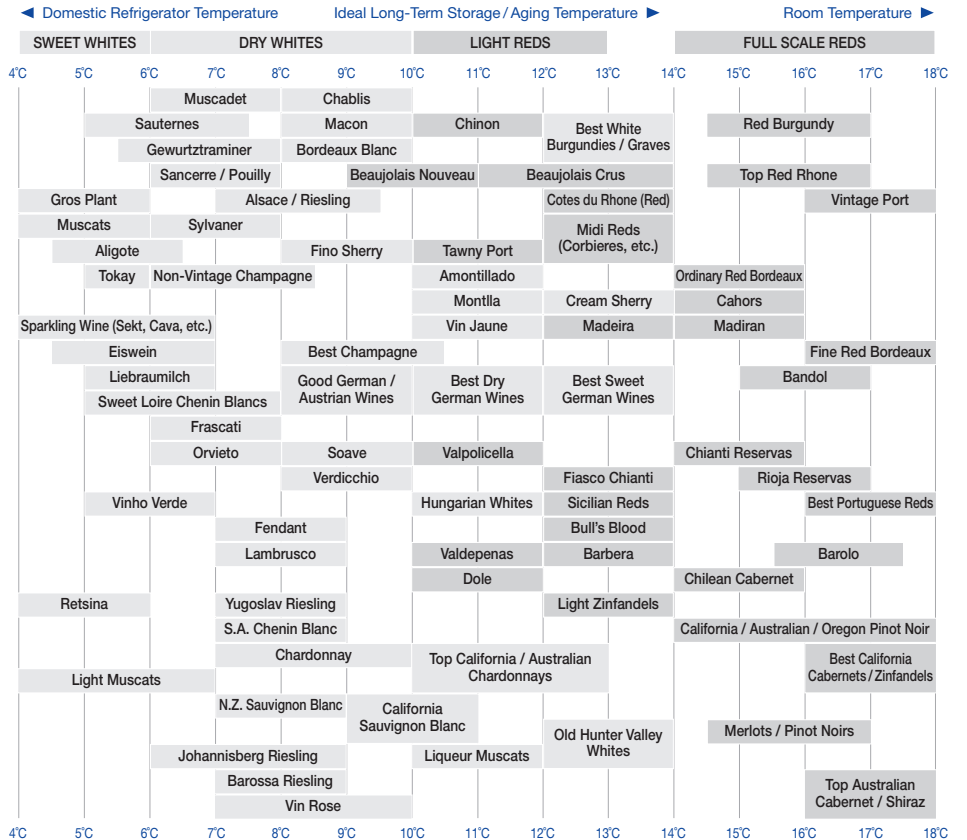
You can devote the entire wine storage unit to long-term storage and have the temperature set to 13°C in both zones—the ideal temperature for long-term storage or aging. If, however, you want to devote only a small portion of the unit to that feature, you can adjust the temperature in the smaller zone to long-term storage and adjust the other temperature zone to accommodate the wine you will be enjoying soon.

The temperature in this zone can be anything you choose. Sure, there are ideal temperatures for serving wine, but it is very subjective, with everyone's palate reacting differently to different temperatures.

The following chart offers some universally accepted storing and serving temperatures for the most common wines consumed today.

Enjoy the wine and your Sub-Zero wine storage unit. And thank you for your trust in Sub-Zero.

Storing and Serving Temperatures




© Octopus Publishing Group Ltd., reproduced from Hugh Johnson's 'The World Atlas of Wine', published by Mitchell Beazley, London.

Troubleshooting

If your wine storage unit is not operating properly, refer to the following troubleshooting guide before calling your Sub-Zero dealer. This guide will save you time and trouble and may help you avoid the expense of a service call.

The wine storage unit is not operating.

- Is there electrical power to the unit?
- Is your home circuit breaker or fuse on?
- Is the unit on? Depress the  key pad.
- Is the condenser area clean?

The wine storage unit is warmer than usual.

- Is the control set properly?
- Is the condenser area clean?
- Have the door or drawers (model ICB427R) been open for a long time?

The wine storage unit runs for long periods of time.

- Is the condenser area clean?
- On hot days and in warm room temperatures, the compressor runs longer.
- Have the door or drawers (model ICB427R) been open for a long time?
- Have you recently added a large amount of wine?

Condensation forms inside the unit.

- This is normal during periods of higher humidity (summer) and with frequent door openings.
- Are the door and drawers (model ICB427R) closing and sealing properly?

Condensation forms outside the unit.

- During periods of high humidity, some condensation may appear on outside surfaces. The condensation will disappear when the humidity drops. Be sure that the door and drawers (model ICB427R) are closing and sealing properly. If condensation persists, contact your Sub-Zero dealer.

You need service.

- If service is necessary, maintain the quality built into your Sub-Zero unit by calling your Sub-Zero dealer.
- When calling for service, you will need the model and serial numbers of your unit. The numbers are listed on the product rating plate. For models ICB424 and ICB424FS, the rating plate is located on the underside of the top wall. For models ICB427, ICB427R and ICBWS-30, it is attached to the underside of the control panel.

Frequently Asked Questions

TEMPERATURE

IMPORTANT NOTE: Unless the wine storage unit is being serviced, make sure the power for your unit is on.

Q: How do I adjust the temperatures?

A: To adjust temperatures, refer to temperature control on page 7. For model ICB427R, also refer to page 8.

Q: What are the suggested temperature settings?

A: Temperature settings are your individual preference. While each temperature zone of your wine storage unit has a range of 3°C to 18°C, you can set the temperatures you think best. A chart with suggested storing and serving temperatures can be found on page 12.

Q: Condensation is forming on the inside and outside of my unit.

A: In climates with higher humidity, condensation will form and is considered normal. Leaving the door open for a long period of time may also contribute to condensation forming on the inside of your unit.

Q: My unit isn't cooling properly.

A: Clean the condenser area as outlined on page 11

NOISE

Q: Why do I hear my unit running frequently?

A: It is normal to hear the operation of fans and motors. Sounds will be accentuated based on the placement of the unit and overall room design.

Service Information

This use & care guide gives you the information necessary to preserve your wine at optimum quality in your Sub-Zero wine storage unit.

If you do need service, be sure to have the model and serial number of your unit when you call. The numbers are listed on the product rating plate. For models ICB424 and ICB424FS, the rating plate is located on the underside of the top wall. For models ICB427, ICB427R and ICBWS-30, it is attached to the underside of the control panel. Refer to pages 5–6 for location of the rating plate for your specific model.

Model Number: _____

Serial Number: _____

Installation Date: _____

Sub-Zero Dealer: _____

Phone: _____



SUB-ZERO® es una marca comercial registrada de Sub-Zero, Inc.

Gracias

Gracias por comprar el nuevo modelo de conservador de vino de Sub-Zero. Este conservador de vino es la última novedad en belleza, ingeniería de diseño, cuidado del último detalle y funcionalidad. De esta manera continúa la tradición de Sub-Zero de ofrecer la máxima calidad y fiabilidad para proporcionarle la tranquilidad de que sus vinos están perfectamente conservados, a la temperatura exacta que usted seleccione.

Esta guía de información de uso y mantenimiento responderá a la mayoría de las preguntas que puedan surgirle sobre las características, el funcionamiento y el mantenimiento de su conservador de vino. Si tiene alguna otra pregunta que no se ha abordado en esta guía, póngase en contacto con su distribuidor.

Nota importante


Para garantizar que la instalación del equipo SubZero sea segura y eficiente, tenga en cuenta la información que se destaca en esta guía:

Cuando aparece **NOTA IMPORTANTE** se resalta información que resulta especialmente importante.

PRECAUCIÓN indica una situación en la que se pueden sufrir heridas leves o provocar daños al producto si no se siguen las instrucciones.

AVISO indica peligro de que se produzcan heridas personales graves o incluso puede provocar la muerte si no se siguen las precauciones especificadas.

Características del conservador de vino

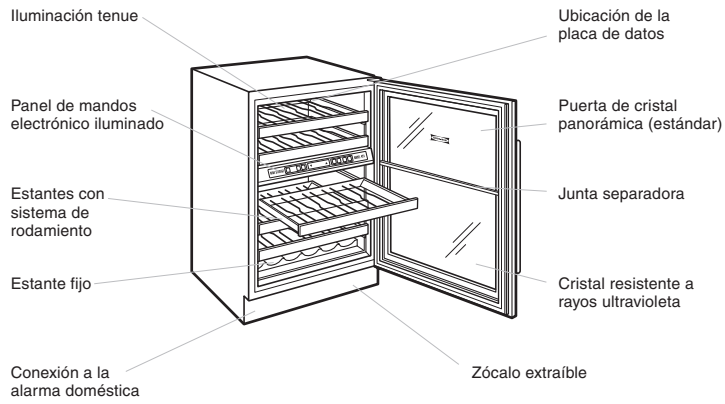
- Dos zonas de temperatura—todos los modelos del conservador de vino le permiten controlar la temperatura de un modo preciso para ajustar las temperaturas pre-seleccionadas de grado en grado en una de las dos zonas de temperatura.
- El modelo ICB427R dispone de una tercera zona de temperatura—cajones frigoríficos—para las botellas que es necesario conservar a una temperatura más fría que la del vino.
- Controles electrónicos—un microprocesador controla todas las funciones electrónicas y permite al usuario controlar la temperatura exacta que ha establecido y realizar los ajustes de manera sencilla.
- Temperatura correcta—cada zona del conservador de vino cuenta con un rango de temperatura que oscila entre 3 y 18 °C; la temperatura establecida se muestra en la pantalla LED situada en el panel de control.
- En toda la unidad se mantiene la humedad adecuada.
- Iluminación tenue—las luces son de baja potencia y proporcionan una iluminación suave que se puede controlar independientemente de la apertura de la puerta, lo cual le permitirá exhibir su colección de vinos en ocasiones especiales.
- En los estantes metálicos inoxidables y resistentes se pueden colocar botellas normales de 750 ml, 375 ml y botellas magnum. Acabados con un frente de madera de cerezo natural, todos los estantes conservan el vino de manera perfecta manteniendo los corchos en contacto continuo con el contenido de la botella.
- Estantes con sistema de rodamiento con extracción de tres cuartos para acceder a todas las botellas almacenadas de manera sencilla.
- Estante de exposición—incluido en los modelos ICB427, ICB427R e ICBWS-30. Este estante le permite exhibir las botellas más preciadas de su colección de vinos. Este estante dispone de iluminación tenue colocada en el panel de mandos.
- Aviso de avería —una luz  en la pantalla LED del panel de control le permitirá saber si el conservador necesita asistencia técnica.
- Alarma doméstica—las conexiones eléctricas permiten conectar el conservador de vino al sistema de seguridad de la casa.
- El modelo ICB427R incluye una opción de alarma que emite un sonido audible en el caso de que haya dejado abierto el cajón.
- El modo Sabbath se utiliza durante determinadas festividades religiosas de modo que las luces permanecen desconectadas esos días.
- Cristal resistente a los rayos ultravioleta en la puerta que filtra los rayos ultravioleta perjudiciales.
- Bloqueo opcional—el bloqueo está disponible como accesorio opcional. Póngase en contacto con el distribuidor de Sub-Zero para conocer más detalles.
- Las juntas magnéticas colocadas alrededor de las puertas proporcionan una hermeticidad adicional.
- El zócalo sólido y ajustable contribuye a la imagen de unidad empotrable y cumple las normas establecidas por el Instituto Americano de Arquitectos (American Institute of Architects).
- Ventilación frontal—todos los modelos de conservadores de vino de Sub-Zero tienen un sistema mecánico diseñado para permitir la ventilación en la parte delantera de la unidad.



Gracias a la instalación de un kit de aprovechamiento, estos electrodomésticos han obtenido el certificado Star-K que indica que cumplen rigurosas normas religiosas, así como las instrucciones específicas que aparecen en la página www.star-k.org. Para obtener más información sobre esto, póngase en contacto con su distribuidor de Sub-Zero.

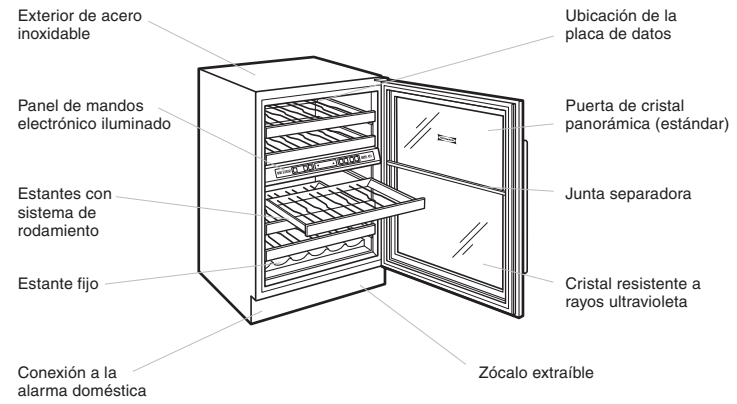
Modelo ICB424

CONSERVADOR DE VINO BAJO ENCIMERA



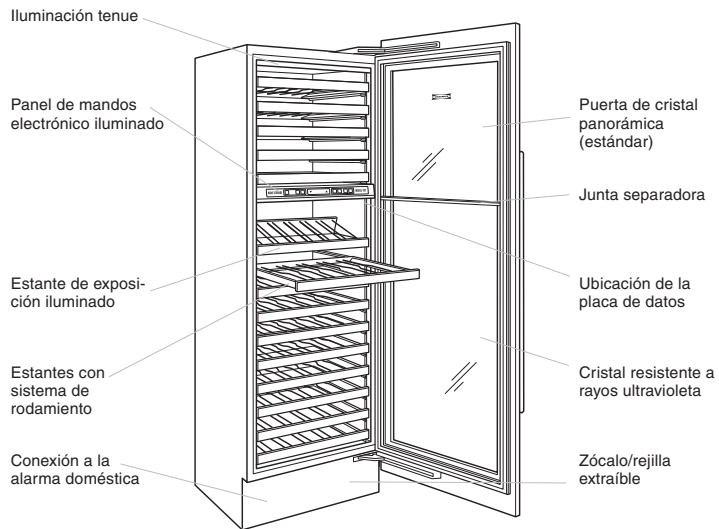
Modelo ICB424FS

CONSERVADOR DE VINO DE LIBRE COLOCACIÓN



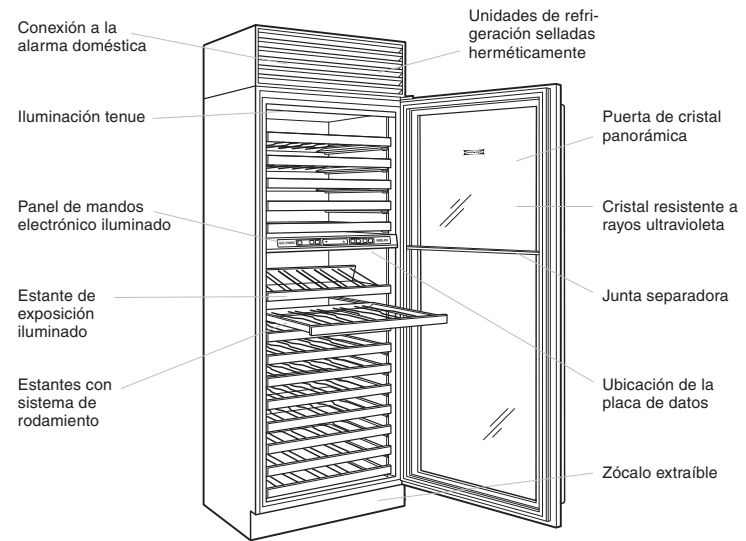
Modelo ICB427

TODO CONSERVADOR DE VINO



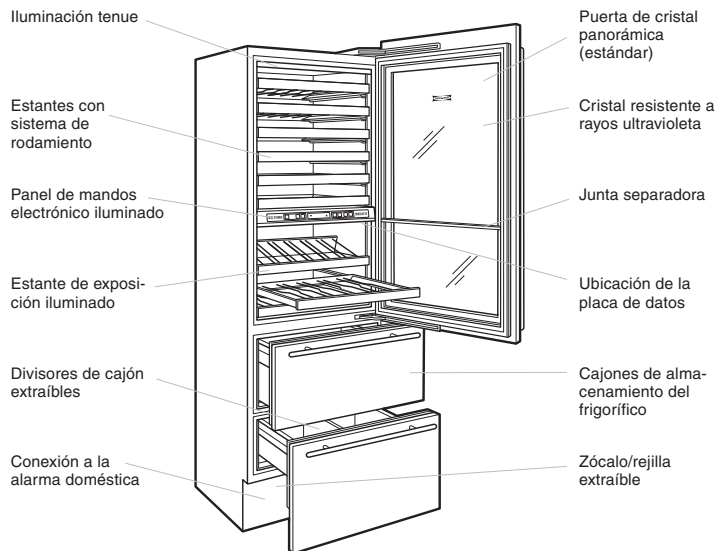
Modelo ICBWS-30

TODO CONSERVADOR DE VINO



Modelo ICB427R

CONSERVADOR DE VINO CON CAJONES FRIGORÍFICOS



Sistema de control electrónico

El sistema de control electrónico del conservador de vino de Sub-Zero le proporciona un control de temperatura de gran precisión que le permite conservar sus vinos con absoluta tranquilidad. Puede estar seguro de que sus vinos se conservan a la temperatura que ha seleccionado, tanto si son vinos de guarda como si son vinos que va a tomar esa misma noche.

Un microprocesador comprueba de manera precisa la temperatura cada segundo en todas las zonas para asegurarse de que las temperaturas se mantienen dentro del rango de un grado respecto las temperaturas predefinidas. Este microprocesador también controla el funcionamiento de la unidad y le permite saber cuándo es necesario realizar tareas de mantenimiento.

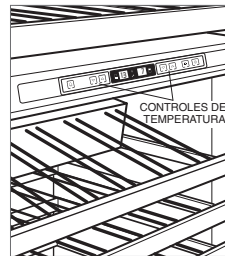
CONTROL DE TEMPERATURA

Todos los modelos de conservador de vino permiten configurar dos temperaturas diferentes en las dos zonas de su conservador de vino. Su modelo ha sido inspeccionado y sometido a rigurosas pruebas en la fábrica de Sub-Zero antes de enviarlo. La temperatura se ha preconfigurado a 7 °C en la zona más pequeña y a 13 °C en la zona más grande.

Hay dos grupos de botones \triangle y ∇ en el panel de mandos, uno para cada una de las dos zonas de temperatura independientes. Una flecha a la lado de la temperatura en la pantalla LED indica la temperatura que corresponde a cada una de las zonas. Observe la siguiente ilustración.

El botón ∇ del panel de mandos permite bajar la temperatura de la zona correspondiente; cada vez que pulse el botón la temperatura baja un grado. Recuerde que el rango de temperatura en cada zona oscila entre 3 y 18 °C y que puede configurar dos temperaturas diferentes – una para cada zona.

De igual manera, el botón \triangle del panel de mandos le permite subir la temperatura de la zona correspondiente; cada vez que pulse el botón \triangle la temperatura sube un grado.



Panel de mandos electrónico.

PANTALLA LED

Las funciones del sistema de control electrónico, al igual que los indicadores de mantenimiento y las temperaturas digitales, se muestran en la pantalla LED, situada en el panel de mandos. La temperatura de cada una de las zonas se visualizará a través de la puerta de cristal del conservador de vino. Si utiliza el conservador de manera frecuente, es posible que los números fluctúen.

ENCENDER/APAGAR LA UNIDAD

El botón ① del panel de mandos desconecta el conservador de vino de la alimentación eléctrica para que pueda limpiarlo o para realizar cualquier tarea de mantenimiento en el mismo.

ENCENDER/APAGAR LAS LUCES

Todos los conservadores de vino ofrecen la posibilidad de tener las luces encendidas independientemente del cierre o apertura de la puerta. Esto le permitirá exhibir su colección de vino en esas ocasiones tan especiales.

Para que las luces permanezcan encendidas independientemente de la apertura y cierre de la puerta, pulse el botón ☞ . Pulse el botón de nuevo para que las luces se apaguen al cerrar la puerta.

⚠ PRECAUCIÓN

No debe dejar las luces encendidas durante toda la noche o durante periodos de tiempo muy largos. El calor que emiten las luces hará que la unidad trabaje más de manera innecesaria.

OPCIÓN DE ALARMA

Si el microprocesador detecta fluctuaciones de temperatura o algún componente defectuoso, emitirá un sonido y un símbolo 🔔 parpadeará en la pantalla LED del panel de mandos. Además, si la unidad está conectada al circuito de seguridad de su casa, esta avisará al sistema. Puede desactivar la opción de alarma y también el sonido al pulsar el botón 🔔 . Si la alarma está desactivada, el símbolo 🔔 no aparecerá en la pantalla LED.

MODO SABBATH (STAR-K)

Todos los conservadores de vino incluyen el modo Sabbath. Este modo se utiliza durante determinadas festividades religiosas de modo que las luces permanecen desconectadas esos días.

Para iniciar el modo Sabbath cuando la unidad está encendida, presione el botón ① para que se visualice OFF en la pantalla LED del panel de mandos. A continuación, la unidad se apaga.

Mantenga presionado el botón ① durante 10 segundos.

Mediante este proceso la unidad volverá a encenderse, pero con las luces desactivadas. Para que la unidad vuelva a funcionar de manera normal, presione y suelte el botón ①.

Si tiene alguna pregunta referente al cumplimiento de la certificación Star-K para productos kosher, visite la página web www.star-k.org.

PANTALLA INFORMATIVA DE MANTENIMIENTO

El sistema de control electrónico controla las temperaturas y también el funcionamiento de la unidad. Si existe un problema con la temperatura o con el funcionamiento de la unidad, observará como el símbolo 🔧 aparece iluminado en la pantalla LED del panel de mandos. Antes de avisar al servicio técnico, compruebe si es necesario limpiar el área del condensador. Consulte la sección Limpieza del condensador en la página 23.

Cajones frigoríficos—Modelo ICB427R

CONTROL DETEMPERATURA

En el modelo ICB427R, los cajones frigoríficos disponen de su propio microprocesador y panel de mandos situados en el cajón superior. La temperatura preseleccionada de fábrica es de 3 °C, pero tiene la opción de ajustar la temperatura entre 1 y 7 °C. La pantalla de LCD del panel de mandos muestra la temperatura de los dos cajones de la unidad.

El botón ▽ del panel de mandos permite bajar la temperatura de los cajones de grado en grado cada vez que pulse el botón. Puede subir la temperatura de los cajones un grado cada vez que pulse el botón ▲ del panel de mandos.

OPCIÓN DE ALARMA

El modelo ICB427R incluye una opción de alarma que emite un sonido audible en el caso de que haya dejado abierto un cajón de manera accidental.

Si la alarma está activada, un símbolo 🔔 aparecerá iluminado en la pantalla LCD del panel de mandos. Cuando se desactiva la alarma, el símbolo 🔔 no se visualiza.

Ajuste de temperatura

En todos los casos, puede ajustar la temperatura según sus preferencias y, con el modelo de conservador de vino que ha adquirido, puede estar seguro de que la unidad mantendrá siempre las temperaturas que ha establecido. En la página 24 puede consultar un gráfico en el que se sugieren las temperaturas adecuadas para conservar y servir sus vinos.

Mientras que las temperaturas de cada una de las zonas del conservador de vino oscilan entre 3 y 18 °C, puede ajustar las temperaturas con la temperatura exacta que usted considere que es la adecuada tanto si es para consumir el vino como si desea duplicar la temperatura de las bodegas para conservar los vinos de guarda.

Conservador de vino

ESTANTES PARA COLOCAR BOTELLAS DE VINO

Todos los modelos de conservador de vino de Sub-Zero incluyen estantes con sistema de rodamiento con extracción de tres cuartos para que pueda acceder a todas las botellas almacenadas de manera sencilla.

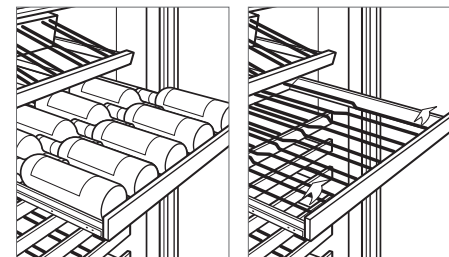
NOTA IMPORTANTE: los modelos ICB424 y ICB424FS incluyen un sistema de rodamiento en todos los estantes excepto en el estante fijo de la parte inferior.

Los estantes incorporan un frente de madera maciza de cerezo natural que se puede sustituir por otro tipo de madera que haga juego con el mobiliario. En la guía de diseño de Sub-Zero puede encontrar información sobre cómo sustituir el frente de madera de los estantes.

NOTA IMPORTANTE: si va a teñir o sellar el frente de madera natural de cerezo de los estantes, tenga en cuenta que algunas de las sustancias que se utilizan para ello pueden dañar el vino guardado.

El conservador de vino se ha diseñado para maximizar el almacenamiento de botellas en un entorno ideal en el que el vino permanece en contacto con el corcho a una temperatura uniforme. Consulte la ilustración para obtener información sobre cómo colocar las botellas de manera correcta en los estantes.

Si va a guardar botellas pequeñas de 375 ml o botellas magnum, puede colocarlas de la misma manera que las botellas de 750 ml.



Colocación de las botellas de vino.

Extracción del estante para vino.

EXTRACCIÓN DE LOS ESTANTES PARA BOTELLAS

Para extraer un estante para conservar vino, tire del estante hacia fuera hasta que salga completamente y, con cuidado, levante el cajón tirando de ambos lados de la parte delantera y sáquelo. Consulte la ilustración anterior. Realice el procedimiento inverso para instalar de nuevo el estante.

⚠ PRECAUCIÓN

Asegúrese de sacar todas las botellas del estante para vino antes de extraerlo.

⚠ PRECAUCIÓN

Cuando guarde botellas magnum, debe extraer el estante que está justo por encima del estante en el que va a colocar estas botellas para que las botellas más grandes puedan meterse y sacarse del conservador con facilidad. Si no lo hace, las botellas se pueden romper.

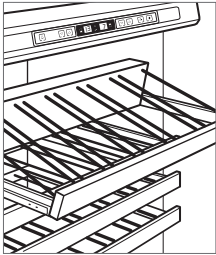
Conservador de vino

ESTANTE DE EXPOSICIÓN

Los modelos ICB427, ICB427R e ICBWS-30 incluyen un estante de exposición en el que podrá mostrar las botellas más preciadas de su colección de vinos. Este estante dispone de iluminación tenue colocada en el panel de mandos. Está diseñado para que el vino esté en permanente contacto con el corcho. Observe la siguiente ilustración.

NOTA IMPORTANTE: el estante de exposición está diseñado para que exponga una sola fila de botellas y las coloque de tal manera que la parte inferior de la botella toque el riel de madera y la parte superior y el corcho queden colocados tocando la parte trasera del conservador de vino.

NOTA IMPORTANTE: los modelos ICB424 e ICB424FS no incluyen el estante de exposición.



Estante de exposición.

EXTRACCIÓN DEL ESTANTE DE EXPOSICIÓN

Para extraer el estante de exposición, tire del estante hacia fuera hasta que salga completamente y, con cuidado, levante el cajón tirando de los dos lados de la parte delantera y sáquelo. Realice el procedimiento inverso para instalar de nuevo el estante.

⚠ PRECAUCIÓN

Asegúrese de sacar todas las botellas del estante para vino antes de extraerlo.

Cajones frigoríficos—Modelo ICB427R

EXTRACCIÓN DE LOS CAJONES

NOTA IMPORTANTE: en el modelo ICB427R, es preciso desconectar el cable de control antes de extraer el cajón superior. Observe la siguiente ilustración.

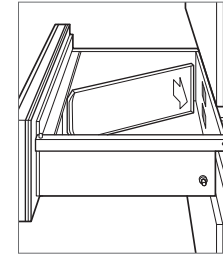
Para extraer un cajón del modelo ICB427R, abra el cajón al máximo. Levante el cajón hacia arriba tirando de los dos lados de la parte delantera y tire de él hacia fuera tal y como se muestra en la siguiente ilustración.

NOTA IMPORTANTE: asegúrese de sacar el contenido del cajón antes de extraerlo.

Para colocar el cajón de nuevo, levante la parte delantera del cajón y colóquelo en las guías de desplazamiento del cajón. Procure enganchar los orificios de la parte delantera del cajón a las pinzas pequeñas del extremo de cada riel.

⚠ PRECAUCIÓN

Antes de extraer el cajón superior del modelo ICB427R, DEBE desconectar el cable de control.

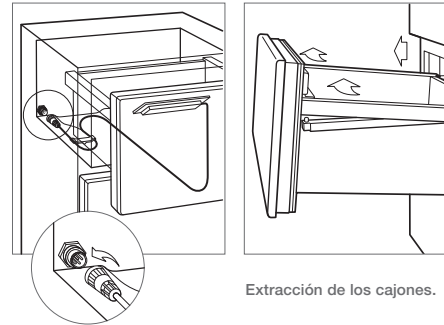


Divisor de cajones.

DIVISOR DE CAJONES

Todos los cajones del modelo ICB427R disponen de un divisor que se puede extraer fácilmente.

Para hacerlo, tire del divisor hacia adelante y gire el borde posterior del mismo para separarlo de la parte trasera del cajón. Realice el procedimiento inverso para instalar de nuevo el divisor. Consulte la ilustración anterior.



Extracción de los cajones.

Cable de control.

Funcionamiento de la puerta

CIERRE DE LA PUERTA

La puerta del conservador de vino dispone de un mecanismo de cierre accionado por muelles. A medida que la puerta se cierra, el sistema de cierre de puertas se acopla para facilitar el cierre hermético de la puerta.

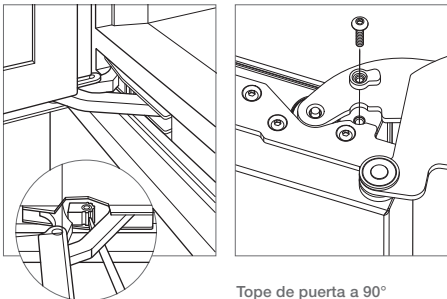
TOPE DE PUERTA A 90°

Si coloca el conservador de vino en una esquina, es posible que desee limitar la apertura de la puerta a 90°.

NOTA IMPORTANTE: el tope de puerta a 90° no está disponible para los modelos ICB424 e ICB424FS.

Los modelos ICB427 e ICB427R disponen de un tope de puerta a 90° incorporado en el sistema de las bisagras. Para ajustarlo, utilice un destornillador de hoja plana y gire la leva metálica en la bisagra superior y en la inferior. Debe colocar ambos topes a 90° si desea utilizar la puerta de manera segura. Puede llegar a abrir la puerta hasta un máximo de 105° si utiliza el destornillador y gira la leva metálica hasta el siguiente tope. Observe la siguiente ilustración.

En el modelo ICBWS-30 se entrega un tope de puerta a 90° que va situado detrás de la rejilla que sale hacia arriba. Observe la siguiente ilustración.



Tope de puerta a 90°
(modelos ICB427 e ICB427R).

Tope de puerta a 90°
(modelo ICBWS-30).

▲ AVISO

La apertura de la puerta en los modelos ICB427 e ICB427R puede provocar que alguien se pille los dedos. Tenga cuidado de no colocar los dedos en la apertura de la puerta del lado de la bisagra al abrir la puerta.

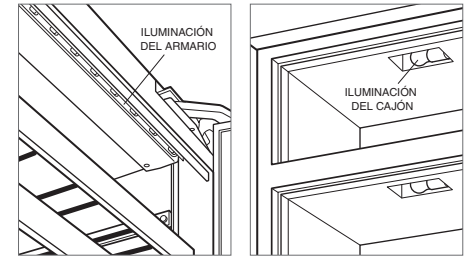
Información sobre la iluminación

ILUMINACIÓN DEL ARMARIO

En los modelos ICB424 e ICB424FS, las luces tipo cuerda están colocadas en la parte superior del armario e iluminan desde arriba toda la parte frontal del conservador.

Los modelos ICB427, ICB427R e ICBWS-30 disponen de iluminación tenue en dos sitios. Las luces tipo cuerda están colocadas en la parte superior del armario y estos modelos cuentan con una iluminación adicional en el panel de mandos para iluminar el estante de exposición. Consulte la ilustración.

Estas luces tienen una duración ampliada y deben reemplazarse un poco antes de que sea necesario. Si tiene problemas con la iluminación del armario o necesita recambios, póngase en contacto con su distribuidor de Sub-Zero.



Iluminación del armario
(modelos ICB427, ICB427R
e ICBWS-30).

Iluminación del compartimento de cajones
(modelo ICB427R).

▲ AVISO

Desconecte el aparato antes de colocar de nuevo las bombillas. Lleve guantes de protección cuando esté manejando las bombillas.

ILUMINACIÓN DE LOS CAJONES—MODELO ICB427R

La iluminación se acopla en la parte superior de cada compartimento de cajones frigoríficos del modelo ICB427R. Consulte la ilustración anterior.

Para cambiar una bombilla del compartimento del cajón, debe tirar del cajón hasta que el cajón se abra al máximo. Se recomienda que extraiga el cajón. Consulte la página 22 para obtener información sobre cómo extraer el cajón.

Quite la bombilla de 15 vatios desenroscándola del casquillo y vuelva a instalarla siguiendo los mismos pasos a la inversa.

Limpieza

EXTERIOR EN ACERO INOXIDABLE

Acabado en acero inoxidable: para limpiar el acabado exterior de acero inoxidable clásico, utilice un limpiador especial para este material, suave y no abrasivo, y aplíquelo con un paño también suave que no deje pelusas.

Las diferentes iluminaciones y ubicaciones pueden producir diferentes tonalidades en los distintos componentes y zonas de los aparatos de gran tamaño.

Para que el acabado obtenga un brillo natural, frote suavemente la superficie con un paño de microfibra empapado en agua y con una gamuza seca para pulir. La limpieza deberá realizarse siguiendo la dirección del acabado.

Obtendrá mejores resultados si mantiene siempre el paño en contacto con el acero inoxidable.

⚠ PRECAUCIÓN

No utilice nunca un paño ni un producto de limpieza metálico o muy abrasivo ya que podría rayar el acabado en acero inoxidable clásico.

LIMPIEZA DE LA PUERTA DE CRISTAL

Puede limpiar la puerta de cristal utilizando cualquier limpiacristales estándar que esté disponible en el mercado.

LIMPIEZA INTERIOR

Para limpiar las superficies interiores y las partes extraíbles, lávelas con una mezcla de jabón suave y agua tibia con un poco de bicarbonato sódico. No utilice vinagre. Aclárela y, a continuación, séquela completamente.

Procure que el agua no entre en contacto con las luces, con el panel de control o con el frente de madera maciza de cerezo de los estantes.

No aplique limpiadores abrasivos ni utilice paños en ninguna de las superficies interiores ni exteriores, incluyendo la puerta de cristal.

⚠ PRECAUCIÓN

Antes de limpiar la unidad, desconéctela de la electricidad desde el panel de mandos.

LIMPIEZA DEL CONDENSADOR

Limpie el área del condensador entre periodos de tres a seis meses. La frecuencia de la limpieza depende de la cantidad de polvo y pelusas que se acumulen en este área.

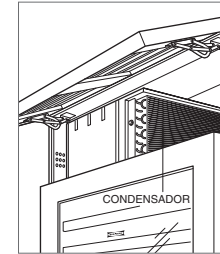
En los modelos ICB424 e ICB424FS, el condensador está situado detrás del zócalo. En primer lugar, extraiga el zócalo para ver el área del condensador. Observe la siguiente ilustración.

El condensador de los modelos ICB427 e ICB427R está situado por detrás del zócalo/rejilla. Extraiga los tornillos que sujetan el zócalo/rejilla. Este conjunto se desliza y se saca con facilidad lo cual le permite llegar a la zona del condensador fácilmente. Observe la siguiente ilustración.

En el modelo ICBWS-30, el condensador va situado por detrás de la rejilla. En primer lugar, tire del borde inferior de la rejilla e inclínela hacia adelante. Consulte la ilustración.

Utilice un cepillo de cerdas suaves y un tubo de aspiradora para eliminar el polvo y las pelusas que se generan en el condensador.

NOTA IMPORTANTE: para evitar que las aletas del condensador se doblen, asegúrese de aspirar siguiendo la dirección de las aletas (de arriba hacia abajo).



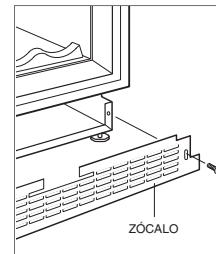
Ubicación del condensador (modelo ICBWS-30).

⚠ PRECAUCIÓN

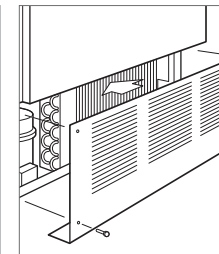
Antes de limpiar el condensador, desconecte la unidad de la electricidad desde el panel de mandos. Cuando limpie el condensador, póngase guantes para evitar que las aletas afiladas del condensador puedan provocarle heridas.

⚠ PRECAUCIÓN

Si no lo hace, es posible que el condensador pueda perder temperatura o que se produzca un fallo o daño mecánico en el mismo.



Ubicación del condensador (modelos ICB424 e ICB424FS).



Ubicación del condensador (modelos ICB427 e ICB427R).

Conservar y servir el vino

Puede conservar y servir el vino de la manera adecuada. Pero también puede hacerlo de la manera incorrecta. El equipo del conservador de vino de Sub-Zero está diseñado para que realice este trabajo de la manera correcta. Los aficionados al mundo del vino saben que para que el vino se conserve de manera óptima, es mejor conservarlo durante largos periodos de tiempo en bodegas oscuras, húmedas, en donde no haya vibraciones y que mantengan una temperatura constante de 13 °C. Sin embargo, ¿cuántos disponemos las condiciones adecuadas para hacerlo?

Cuando piensa en conservar el vino, piensa en cómo conservar la fruta y en que es necesario guardarla en el frigorífico a una temperatura adecuada para que no se estropee. Después de todo, ciñéndonos a la interpretación más básica, el vino es el zumo de las uvas.

El vino necesita seleccionarse y cuidarse de la manera correcta. El aficionado al vino es consciente de que conservarlo de la manera correcta es una manera de asegurarse de que el vino se va a servir en las mejores condiciones.

Con la compra de un conservador de vino de Sub-Zero, usted ha dado un paso extra para asegurarse de que sus vinos se mantienen en el mejor entorno posible. A partir de ahora, la manera de utilizar el conservador depende de usted.

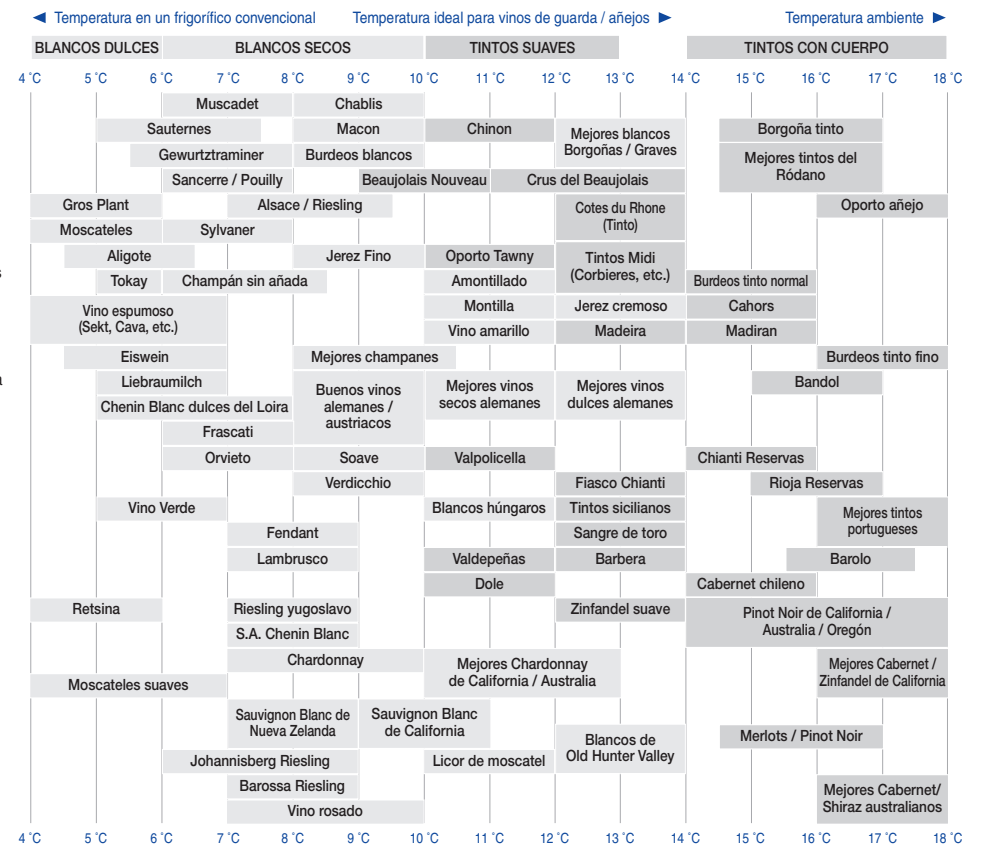
Puede dedicar todo el espacio del conservador de vino para conservar vinos de guarda y establecer una temperatura de 13 °C en ambas zonas—esta es la temperatura ideal para conservar vinos de guarda y añejos. Sin embargo, si desea dedicar solamente una parte del conservador de vino para este tipo de vinos, puede ajustar la temperatura de la zona más pequeña para colocar los vinos de guarda y ajustar la otra zona de temperatura para colocar los vinos que vaya a descorchar pronto.

Usted puede seleccionar la temperatura de esta zona. Por supuesto, el vino también debe servirse a las temperaturas adecuadas; pero estas temperaturas son muy subjetivas ya que el paladar de cada persona reacciona de manera diferente a distintas temperaturas.

El siguiente gráfico proporciona algunas temperaturas para conservar y servir el vino. Estas temperaturas se aceptan internacionalmente para la mayoría de vinos que se consumen en la actualidad.

Disfrute de sus vinos con el conservador de vino de Sub-Zero. Y muchas gracias por confiar en Sub-Zero.

Temperaturas para conservar y servir el vino




© Octopus Publishing Group Ltd., extraído de 'The World Atlas of Wine' de Hugh Johnson, publicado por Mitchell Beazley, London.

Localización y solución de problemas

Si la unidad de conservador de vino no funciona correctamente, consulte la siguiente guía de localización y solución de problemas antes de llamar al distribuidor de Sub-Zero. Esta guía le ahorrará tiempo y le evitará problemas, así como el gasto de una llamada al servicio técnico.

El conservador de vino no funciona.

- ¿Está la unidad conectada a la red eléctrica?
- ¿Ha comprobado que funciona la red eléctrica de su casa o que no estén fundidos los fusibles?
- ¿Está la unidad encendida? Pulse el botón .
- ¿Está limpia el área del condensador?

El conservador de vino está más caliente de lo normal.

- ¿Está configurado el mando de control de manera correcta?
- ¿Está limpia el área del condensador?
- ¿Han estado la puerta o los cajones (modelo ICB427R) abiertos durante mucho tiempo?

El conservador de vino funciona durante largos periodos de tiempo.

- ¿Está limpia el área del condensador?
- En días calurosos y cuando la temperatura ambiente es alta, el compresor funciona durante más tiempo.
- ¿Han estado la puerta o los cajones (modelo ICB427R) abiertos durante mucho tiempo?
- ¿Ha introducido recientemente muchas botellas de vino?

Se forma condensación dentro de la unidad.

- Esto es normal durante periodos de humedad alta (verano) y si abre las puertas con frecuencia.
- ¿Se cierran herméticamente las puertas y los cajones (modelo ICB427R)?

Se forma condensación fuera de la unidad.

- Durante periodos de humedad alta puede aparecer algo de condensación en las superficies exteriores. La condensación desaparecerá cuando baje el nivel de humedad. Compruebe que las puertas y los cajones (modelo ICB427R) se cierran herméticamente. Si continúa habiendo condensación, póngase en contacto con el distribuidor de Sub-Zero.

Necesita asistencia técnica.

- Si necesita recurrir a un servicio técnico para una reparación, conserve la alta calidad de su unidad Sub-Zero al ponerse en contacto con su distribuidor de Sub-Zero.
- Le recomendamos que anote la referencia del modelo y el número de serie de la unidad cuando llame para solicitar asistencia técnica. Esta información se muestra en la placa de datos del producto. Para los modelos ICB424 e ICB424FS, esta placa se encuentra por debajo del lado superior. En los modelos ICB427, ICB427R e ICBWS-30, estos datos están situados en la parte inferior del panel de control.

Preguntas frecuentes

TEMPERATURA

NOTA IMPORTANTE: a menos que se esté reparando o realizando una tarea de mantenimiento en el conservador de vino, asegúrese de que la unidad está encendida.

P: ¿Cómo puedo regular las temperaturas?

R: Para regular las temperaturas, consulte la sección Control de temperatura en la página 19. Para el modelo ICB427R, consulte también la página 20.

P: ¿Cuáles son las temperaturas más recomendables?

R: Puede ajustar las temperaturas según sus preferencias individuales. Cada zona de su conservador de vino tiene un rango de temperatura que oscila entre 3 °C y 18 °C y usted puede seleccionar la temperatura que considere más conveniente. En la página 24 puede consultar un gráfico en el que se sugieren las temperaturas adecuadas para conservar y servir sus vinos.

P: Se crea condensación dentro y fuera de la unidad.

R: En climas que tienen un grado de humedad alto, la condensación que se forma se considera normal. Dejar la puerta abierta durante un largo periodo de tiempo también puede contribuir a que se forme condensación en el interior de la unidad.

P: La unidad no está enfriando correctamente.

R: Limpie el área del condensador tal y como se indica en la página 23.

RUIDO

P: ¿Por qué se escucha el ruido de funcionamiento de la unidad con frecuencia?

R: Es normal escuchar el funcionamiento de los ventiladores y motores. El sonido se acentuará dependiendo del lugar de colocación de la unidad y del diseño general de la habitación.

Información de mantenimiento

Esta guía de uso y mantenimiento le proporciona las herramientas necesarias para que conserve el vino con una calidad óptima en su conservador de vino de Sub-Zero.

Le recomendamos que anote el modelo y el número de serie de su unidad cuando llame para solicitar ayuda. Esta información se muestra en la placa de datos del producto.

Para los modelos ICB424 e ICB424FS, esta placa se encuentra por debajo del lado superior. En los modelos ICB427, ICB427R e ICBWS-30, estos datos están situados en la parte inferior del panel de control. Consulte las páginas 17-18 para conocer la ubicación de la placa de datos de su modelo específico.

Referencia del modelo: _____

Número de serie: _____

Fecha de instalación: _____

Distribuidor de Sub-Zero: _____

Teléfono: _____



SUB-ZERO® est une marque déposée de Sub-Zero, Inc.

Merci

Merci d'avoir fait confiance à Sub-Zero et d'avoir choisi cette cave à vin. Summum de beauté, de technique et de souci du détail, cet appareil perpétue la tradition de qualité et de fiabilité supérieures de Sub-Zéro qui vous assure que votre vin est correctement conservé, à la température exacte que vous avez sélectionnée.

Le présent guide d'utilisation et d'entretien répond à la plupart des questions relatives aux caractéristiques, au fonctionnement et à l'entretien de votre cave à vin. Si vous avez des questions qui ne sont pas traitées dans ce guide, consultez notre site Internet, www.subzero.com.

Remarque importante


Pour garantir une utilisation sûre et efficace des équipements Sub-Zero, veuillez faire particulièrement attention aux mentions mises en évidence tout au long de ce guide, notamment :

REMARQUE IMPORTANTE met l'accent sur un renseignement particulièrement important.

MISE EN GARDE signale un danger qui pourrait causer une blessure mineure ou endommager le produit si vous ne suivez pas les instructions.

AVERTISSEMENT signale un danger qui pourrait causer des blessures graves voire fatales si vous ne prenez pas certaines précautions.

Caractéristiques des caves à vin

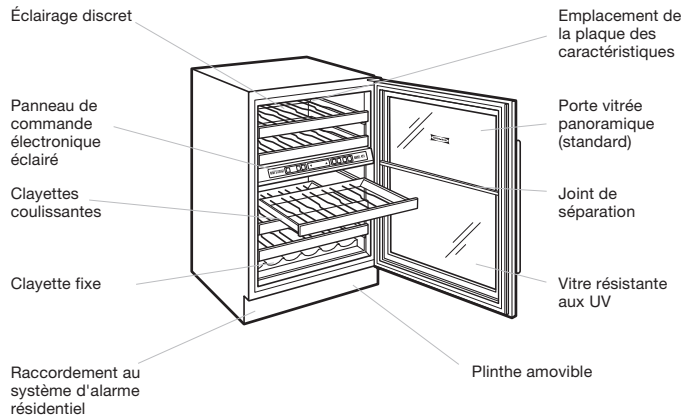
- Deux zones de température — tous les modèles de caves à vin vous permettent de surveiller précisément la température au degré près par rapport à la température que vous avez présélectionnée indépendamment dans chacune des deux zones.
- Le modèle ICB427R est doté d'une troisième zone de température — les tiroirs réfrigérateur — pour les articles qui doivent être conservés à une température plus basse que votre vin.
- Commandes électroniques — un microprocesseur commande toutes les fonctions électroniques. Il permet de surveiller la température exacte que vous avez présélectionnée et d'effectuer aisément les ajustements nécessaires.
- Température exacte — la plage des températures de chaque zone va de 3 °C à 18 °C et la température que vous avez sélectionnée apparaît dans l'afficheur DEL situé sur le panneau de commande.
- Le taux d'humidité approprié est maintenu dans l'ensemble de l'appareil.
- Éclairage discret — l'éclairage doux de faible puissance peut être réglé indépendamment de celui de l'ouverture de porte. Vous pourrez ainsi mettre en valeur votre collection de vins pour certaines occasions.
- Les clayettes métalliques robustes et antirouille peuvent facilement accueillir les bouteilles standards de 750 ml, les demi-bouteilles et les magnums. Revêtues d'un parement en merisier naturel, elles permettent de s'assurer que votre vin est conservé de façon adéquate et que les bouchons sont en contact avec le contenu des bouteilles.
- Clayettes coulissantes avec extension aux trois-quarts, facilitant ainsi l'accès aux bouteilles.
- Clayette de présentation — sur les modèles ICB427, ICB427R et ICBWS-30, cette clayette vous permet d'exposer vos meilleures bouteilles. Elle est éclairée au moyen d'un système discret monté sur le panneau de commande.
- Signal d'alerte de maintenance — dans l'afficheur DEL, l'indicateur  vous avertit de l'éventualité d'une activité de maintenance.
- Système d'alarme résidentielle — des raccordements de câble vous offrent la possibilité de connecter votre cave à vin à votre système d'alarme.
- Le modèle ICB427R est pourvu d'une alarme qui émet un bip sonore si un tiroir est resté ouvert.
- Le mode Sabbat permet de laisser l'éclairage éteint afin de respecter certains rites religieux.
- La porte est dotée d'une vitre résistante aux UV qui protège votre vin des rayons dangereux.
- Le système de verrouillage optionnel — est proposé en tant qu'accessoire de vente. Pour plus de précisions, contactez votre revendeur Sub-Zero.
- Les joints magnétiques disposés autour des portes assurent une fermeture très hermétique.
- La plinthe pleine et réglable souligne l'aspect « encastrable » du modèle et se conforme aux normes de l'American Institute of Architects.
- Ventilation frontale — tous les modèles de cave à vin Sub-Zero sont dotés d'un système mécanique de circulation de l'air à l'avant.



Après l'installation d'un faisceau de câbles, ces appareils ont la certification Star-K et répondent aux strictes exigences religieuses et aux instructions spécifiques que vous pouvez consulter à www.star-k.org. Pour de plus amples renseignements sur le faisceau de câbles, veuillez vous adresser à votre revendeur Sub-Zero.

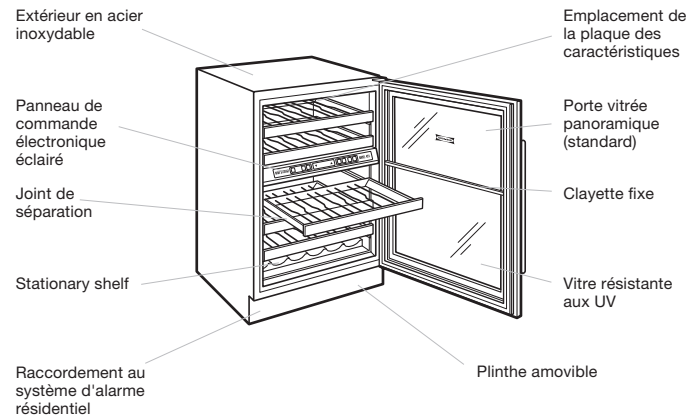
Modèle ICB424

CAVE À VIN SOUS-PLAN



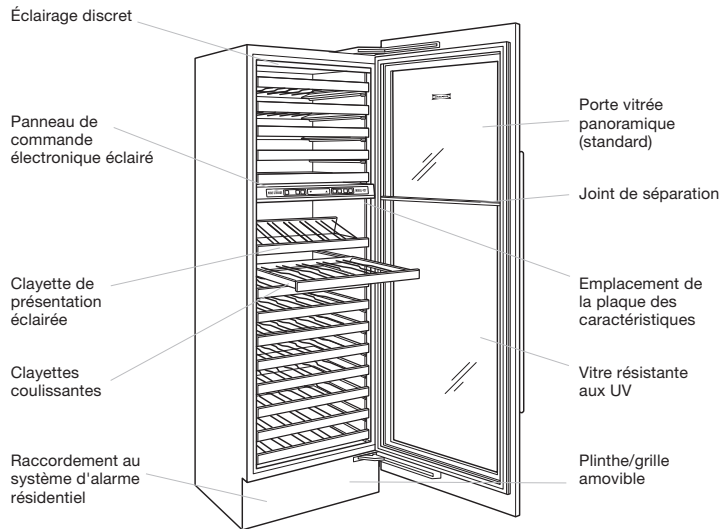
Modèle ICB424FS

CAVE À VIN POSABLE



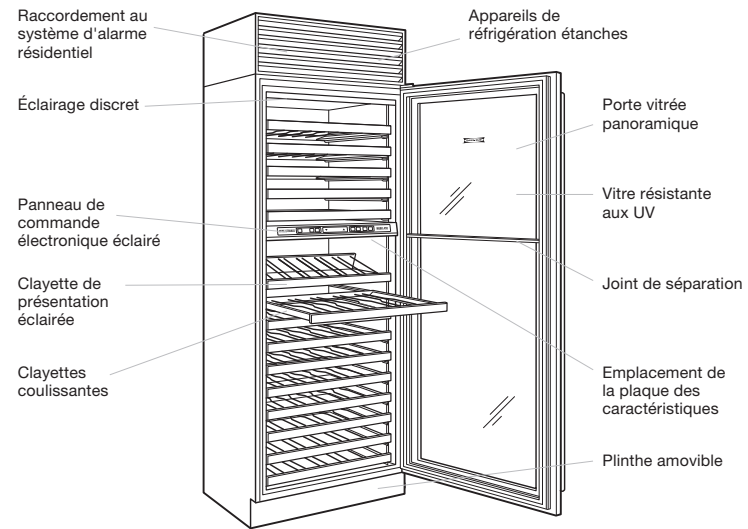
Modèle ICB427

CAVE À VIN ARMOIRE



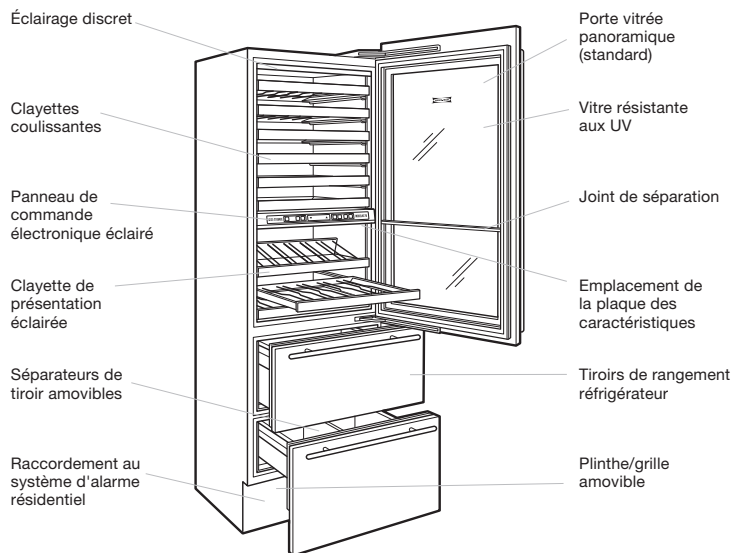
Modèle ICBWS-30

CAVE À VIN ARMOIRE



Modèle ICB427R

CAVE À VIN AVEC TIROIRS RÉFRIGÉRATEUR



Système de contrôle électronique

Le système de contrôle électronique de votre cave à vin Sub-Zero vous garantit une surveillance des plus rigoureuses de la température de votre vin. Vous pouvez être assuré que votre vin est conservé à la température que vous avez sélectionnée, qu'il s'agisse d'un vin que vous devez laisser vieillir ou d'un vin destiné à être dégusté dans la soirée.

Toutes les secondes, un microprocesseur contrôle avec précision la température de chaque zone pour veiller à ce qu'elle demeure au niveau présélectionné au degré près. Il veille également au bon fonctionnement de l'appareil et vous avertit si une activité de maintenance est requise.

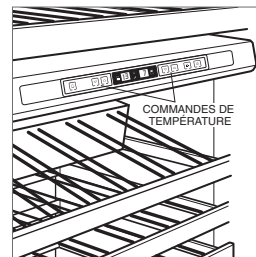
CONTRÔLE DE LA TEMPÉRATURE

Avec les caves à vin armoires, vous pouvez sélectionner une température différente pour chacune des deux zones de votre cave. Votre modèle a été minutieusement inspecté et testé avant de quitter l'usine. La température a été prédéfinie à 7 °C dans la zone supérieure et à 13 °C dans la zone inférieure.

Le panneau de commande comporte deux séries de touches, \triangle et ∇ , une pour chaque zone de température. Dans l'afficheur DEL, une flèche située à côté de la température indique la température correspondant à chaque zone. Reportez-vous à l'illustration ci-après.

En appuyant sur la touche ∇ du panneau de commande, vous pouvez baisser la température de la zone correspondante d'un degré à la fois. N'oubliez pas que la plage des températures de chaque zone va de 3 °C à 18 °C et que vous pouvez sélectionner une température distincte pour chacune.

De la même façon que vous utilisez la touche ∇ , en appuyant sur la touche du panneau de commande, vous pouvez augmenter la température de la zone correspondante \triangle d'un degré à la fois.



Panneau de commande électronique.

AFFICHEUR DEL

Les fonctions du système de contrôle électronique telles que les températures numériques et les avertisseurs de maintenance apparaissent sur l'afficheur DEL situé sur le panneau de commande. Vous pouvez voir les températures de chaque zone par la vitre de votre cave à vin. L'ouverture fréquente de la porte peut les faire fluctuer.

COUPURE ET RÉTABLISSEMENT DE L'ALIMENTATION ÉLECTRIQUE

La touche ⓪ du panneau de commande permet de couper l'alimentation électrique de la cave à vin pour le nettoyage ou une réparation.

ALLUMAGE ET EXTINCTION DE L'ÉCLAIRAGE

L'éclairage des caves à vin armoires peut rester allumé indépendamment de l'éclairage commandé par l'ouverture et de la fermeture de la porte. Vous pourrez ainsi mettre en valeur votre collection de vins pour certaines occasions.

Pour que les éclairages demeurent allumés, appuyez sur la touche ⓪ . Pour éteindre les éclairages lorsque la porte est fermée, appuyez de nouveau sur la touche.

▲ MISE EN GARDE

Il est déconseillé de laisser les éclairages allumés toute la nuit ou pendant de trop longues périodes. En effet, la chaleur qu'ils dégagent obligerait l'appareil à fournir plus d'énergie que nécessaire.

FONCTION D'ALARME

Si le microprocesseur détecte des variations de température ou un composant défectueux, l'appareil émet un bip sonore et le symbole ⓪ clignote dans l'afficheur DEL du panneau de commande. De plus, si la cave à vin est raccordée au système d'alarme résidentiel, le microprocesseur alerte le système. Vous pouvez désactiver la fonction d'alarme et arrêter le bip en appuyant sur la touche ⓪ . Si l'alarme est désactivée, le symbole ⓪ n'apparaît pas sur l'afficheur DEL.

MODE SABBAT (STAR-K)

Le mode Sabbat peut être activé sur toutes les caves à vin, afin d'observer certains rites religieux exigeant que les éclairages soient éteints.

Pour activer le mode Sabbat alors que l'appareil est en marche, appuyez sur la touche ⓪ . Le mot OFF apparaît aussitôt dans l'afficheur DEL du panneau de commande. Votre appareil est alors hors tension.

Appuyez ensuite sur la touche ⓪ et maintenez-la enfoncée pendant 10 secondes. Ceci a pour effet de remettre l'appareil sous tension et d'éteindre les éclairages. Pour revenir à l'éclairage normal, pressez puis relâchez la touche ⓪ .

Pour de plus amples renseignements sur la conformité aux normes Star-K, consultez le site www.star-k.org.

AFFICHAGE VISUEL DES AVERTISSEMENTS DE MAINTENANCE

Si un problème de température ou de fonctionnement survient, le symbole ⓪ s'allume dans l'afficheur DEL du panneau de commande. Avant de contacter un réparateur, vérifiez si la zone de votre condensateur a besoin d'être nettoyée. Reportez-vous à la section Nettoyage du condensateur page 35.

Tiroirs réfrigérateur — Modèle ICB427R

CONTRÔLE DE LA TEMPÉRATURE

Pour le modèle ICB427R, les tiroirs réfrigérateur sont équipés de leur propre microprocesseur et de leur propre panneau de commande situés sur le tiroir supérieur. La température prédéfinie à l'usine est de 3 °C, mais vous pouvez la régler selon une plage de 1 °C à 7 °C. L'afficheur à cristaux liquides (LCD) situé sur le panneau de commande affiche la température des deux tiroirs de l'appareil.

En appuyant ▼ sur la touche du panneau de commande, vous pouvez baisser la température des tiroirs d'un degré. Parallèlement, vous pouvez augmenter d'un degré à la fois la température des tiroirs en appuyant ▲ sur la touche du panneau de commande.

FONCTION D'ALARME

Pour le modèle ICB427R, la fonction d'alarme déclenche un bip sonore si un tiroir est laissé ouvert par inadvertance.

Lorsque l'alarme est activée, le symbole 🔔 s'allume dans l'afficheur LCD du panneau de commande. Lorsqu'elle est désactivée, le symbole 🔔 n'est pas visible.

Sélection des températures

Dans tous les cas, vous sélectionnez les températures à votre convenance et quel que soit le modèle de cave à vin que vous ayez acheté, vous êtes assuré que ces températures seront maintenues. Un tableau suggérant les températures de conservation et de dégustation figure page 36.

Bien que chaque zone de température de votre cave à vin soit associée à une plage de 3 °C à 18 °C, vous pouvez définir exactement la température qui vous semble la plus appropriée à la dégustation ou reproduire les températures des caves de conservation à long terme.

Caves à vin

CLAYETTES DE LA CAVE À VIN

Tous les modèles de cave à vin Sub-Zero sont équipés de clayettes coulissantes pouvant s'extraire aux trois-quarts pour faciliter ainsi l'accès aux bouteilles.

REMARQUE IMPORTANTE : Les clayettes des modèles ICB424 et ICB424FS sont toutes coulissantes sauf la clayette inférieure qui est fixe.

Elles sont revêtues d'un parement en merisier naturel massif qui peut être remplacé par un autre type de bois pour s'harmoniser avec vos meubles. Vous pouvez consulter la procédure à suivre pour remplacer le parement de bois des clayettes dans le Guide technique Sub-Zero.

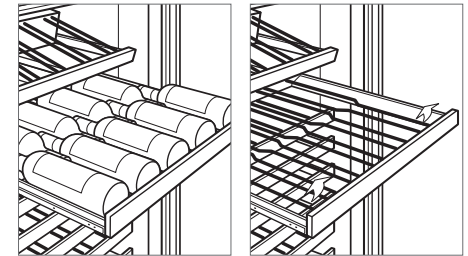
REMARQUE IMPORTANTE : Si vous choisissez de teindre ou d'enduire le parement en merisier naturel des clayettes, n'oubliez pas que certains produits sont dangereux et pourraient affecter la qualité de vos vins.

Votre cave à vin a été conçue pour que vos bouteilles soient entreposées dans des conditions idéales qui permettent au vin de demeurer en contact avec le bouchon à une température constante. Pour ranger correctement les bouteilles sur vos clayettes, reportez-vous à l'illustration.

Si vous y entreposez des demi-bouteilles ou des magnums, ils doivent être agencés de la même façon que les bouteilles de 750 ml.

▲ MISE EN GARDE

Si vous entreposez des magnums, vous devez retirer la clayette juste au-dessus pour permettre la mise en place et le retrait de ces bouteilles qui sont plus grosses ; sinon, elles pourraient se briser.



Rangement de la cave à vin.

Retrait des clayettes de la cave à vin.

RETRAIT DES CLAYETTES DE LA CAVE À VIN

Pour retirer une clayette de la cave à vin, tirez-la complètement, soulevez avec précaution et de façon égale les deux côtés avant et enlevez-la. Reportez-vous à l'illustration ci-dessus. Il suffit d'inverser la procédure pour remettre la clayette en place.

▲ MISE EN GARDE

Assurez-vous d'enlever toutes les bouteilles de la clayette avant de retirer celle-ci.

Caves à vin

CLAYETTE DE PRÉSENTATION

Les modèles ICB427, ICB427R et ICBWS-30 sont dotés d'une clayette de présentation qui vous permet de mettre en valeur vos meilleures bouteilles. Elle est éclairée au moyen d'un système discret monté sur le panneau de commande. La clayette de présentation est conçue de façon à permettre au vin de demeurer en contact avec le bouchon. Reportez-vous à l'illustration ci-après.

REMARQUE IMPORTANTE : La clayette de présentation ne peut recevoir qu'une rangée de bouteilles disposées de sorte que le culot repose contre le rail en bois, tandis que la partie supérieure et le bouchon sont orientés vers l'arrière de la cave à vin.

REMARQUE IMPORTANTE : Les modèles ICB424 et ICB424FS ne sont pas dotés de clayette de présentation.



Clayette de présentation.

RETRAIT DE LA CLAYETTE DE PRÉSENTATION

Pour retirer la clayette de présentation, tirez-la complètement, soulevez avec précaution et de façon égale les deux côtés avant et enlevez-la. Il suffit d'inverser la procédure pour remettre la clayette en place.

▲ MISE EN GARDE

Assurez-vous d'enlever toutes les bouteilles de la clayette avant de retirer celle-ci.

Tiroirs réfrigérateur — Modèle ICB427R

RETRAIT DU TIROIR

REMARQUE IMPORTANTE : Pour le modèle ICB427R, débranchez le câble de commande avant de retirer le tiroir supérieur. Reportez-vous à l'illustration ci-après.

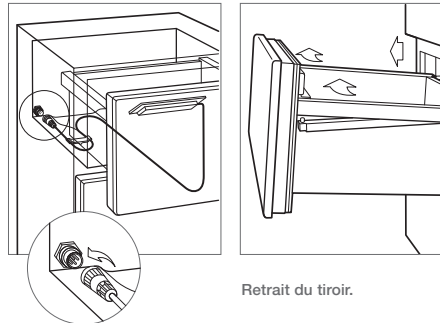
Pour retirer un tiroir du modèle ICB427R, tirez-le jusqu'à la butée. Soulevez de façon égale les deux côtés avant du tiroir et dégagez-le tel qu'illustré ci-après.

REMARQUE IMPORTANTE : Assurez-vous de vider le tiroir de son contenu avant de le retirer.

Pour remettre le tiroir en place, soulevez l'avant et placez-le sur ses guides coulissants. Assurez-vous d'engager les trous avant de la glissière du tiroir avec les petits taquets situés à l'extrémité de chaque rail.

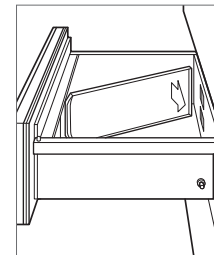
▲ MISE EN GARDE

Avant de retirer le tiroir supérieur du modèle ICB427R, vous DEVEZ débrancher le câble de commande.



Retrait du tiroir.

Câble de commande.



Séparateur de tiroir.

SÉPARATEUR DE TIROIR

Chaque tiroir du modèle ICB427R est doté d'un séparateur qui s'enlève facilement.

Pour le retirer, tirez le séparateur de tiroir vers l'avant et faites pivoter le rebord arrière du séparateur en l'éloignant de l'arrière du tiroir. Il suffit d'inverser la procédure pour remettre le séparateur en place. Reportez-vous à l'illustration ci-dessus.

Fonctionnement de la porte

FERMETURE DE LA PORTE

La porte de votre cave à vin est dotée d'un mécanisme de fermeture à ressorts.

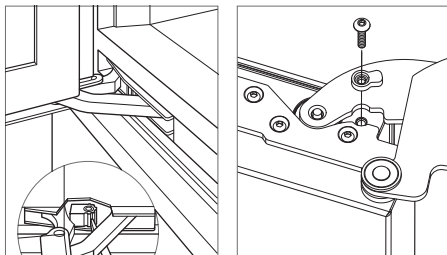
ARRÊT DE PORTE À 90 DEGRÉS

Si votre cave à vin est installée en coin, vous souhaitez peut-être limiter l'angle d'ouverture de la porte à 90 degrés.

REMARQUE IMPORTANTE : Il n'y a pas d'arrêt de porte à 90 degrés disponible pour les modèles ICB424 et ICB424FS.

Le système de charnière des modèles ICB427 et ICB427R incorpore un arrêt de porte à 90 degrés. Vous pouvez facilement déclencher l'arrêt en faisant tourner la came en laiton dans les charnières du haut et du bas à l'aide d'un tournevis à lame. Vous devez déclencher les deux arrêts à 90 degrés si vous voulez utiliser la porte en toute sécurité. Vous pouvez aussi obtenir l'angle maximum d'ouverture de la porte (105 degrés) en faisant tourner la came en laiton jusqu'au prochain arrêt à l'aide du tournevis. Reportez-vous à l'illustration ci-après.

Pour le modèle ICBWS-30; in arrêt de porte à 90 degrés est expédié avec l'appareil et est situé derrière la grille rabattable. Reportez-vous à l'illustration ci-après.



Arrêt de porte à 90 degrés
(modèle ICBWS-30).

Arrêt de porte à 90 degrés
(Modèles ICB427 et ICB427R).

▲ MISE EN GARDE

L'ouverture de porte des modèles ICB427 et ICB427R peut entraîner de graves pincements de doigts. Veillez à ne pas mettre les doigts dans l'ouverture de porte côté charnières lorsque la porte est ouverte.

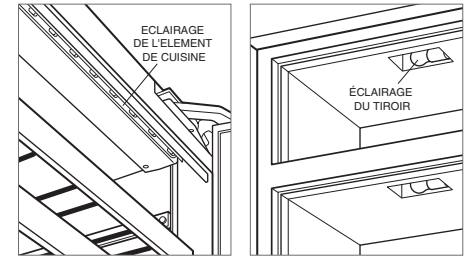
Éclairage

ÉCLAIRAGE DU MEUBLE

Pour les modèles ICB424 et ICB424FS, l'éclairage linéaire est fixé sur le dessus du meuble et illumine toute la façade de l'appareil.

Les modèles ICB427, ICB427R et ICBWS-30 sont dotés d'un éclairage discret à deux endroits. Un éclairage linéaire est fixé sur le dessus du meuble et un autre dans le panneau de commande, pour éclairer la clayette de présentation. Reportez-vous à l'illustration.

Ces éclairages sont de longue durée et n'ont pas besoin d'être remplacés souvent. En cas de problème avec l'éclairage du meuble ou si vous devez le remplacer, contactez votre revendeur Sub-Zero.



Éclairage du meuble
(Modèles ICB427, ICB427R
et ICBWS-30).

Éclairage de la section des
tiroirs (Modèle ICB427R)

▲ MISE EN GARDE

Coupez l'alimentation électrique de l'appareil avant de remplacer les ampoules. Mettez des gants de protection lorsque vous manipulez les ampoules.

ÉCLAIRAGE DES TIROIRSMODÈLE ICB427R

L'éclairage est encastré dans la partie supérieure de chaque tiroir réfrigérateur du modèle ICB427R. Reportez-vous à l'illustration ci-dessus.

Pour remplacer une ampoule dans le tiroir, vous devez tirer celui-ci complètement. Nous vous recommandons de sortir le tiroir. Reportez-vous à la procédure de retrait de tiroir, page 33.

Enlevez l'ampoule de 15 watts en la dévissant de la douille et installez la nouvelle ampoule en inversant la procédure.

Nettoyage

EXTÉRIEUR EN ACIER INOXYDABLE

Finition en acier inoxydable Classique : Pour nettoyer les surfaces extérieures d'un modèle en acier inoxydable Classique, utilisez un nettoyant doux et non abrasif pour acier inoxydable que vous appliquerez à l'aide d'un chiffon doux 100 % non pelucheux.

Selon l'emplacement et le type de votre éclairage, les effets d'ombres peuvent varier sur les composants et les surfaces des appareils de grande taille.

Afin de mettre en valeur le lustre naturel de la finition, essuyez légèrement la surface avec un chiffon en microfibre humide, puis avec une peau de chamois sèche. Allez toujours dans le sens du grain de la finition. Vous obtiendrez de meilleurs résultats en maintenant le chiffon en contact permanent avec l'acier inoxydable.

▲ MISE EN GARDE

En aucun cas, vous ne devriez utiliser de tampon métallique ni de nettoyant ou de chiffon très abrasif, au risque de rayer la finition en acier inoxydable Classique.

NETTOYAGE DE LA PORTE VITRÉE

Vous pouvez nettoyer le panneau de la porte vitrée à l'aide d'un nettoyant pour verre ordinaire en vente dans le commerce.

NETTOYAGE DE L'INTÉRIEUR

Pour nettoyer les surfaces intérieures et les pièces amovibles, utilisez une solution douce de savon et d'eau tiède à laquelle on a ajouté un peu de bicarbonate de soude. N'utilisez pas de vinaigre. Rincez et séchez complètement. Évitez de mouiller les éclairages, le panneau de commande et le parement en merisier massif des clayettes.

N'utilisez pas de produits nettoyants ou chiffons abrasifs sur aucune des surfaces intérieures ou extérieures, y compris sur le panneau de porte vitrée.

▲ MISE EN GARDE

Avant de nettoyer l'appareil, coupez l'alimentation électrique au panneau de commande.

NETTOYAGE DU CONDENSATEUR

Le condensateur doit être nettoyé tous les trois à six mois. La fréquence des nettoyages dépendra de la quantité de poussière et de peluches qui s'accumule à cet endroit.

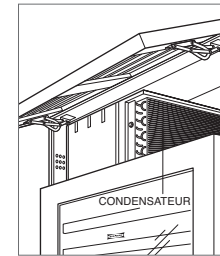
Sur les modèles ICB424 et ICB424FS, le condensateur est situé derrière la plinthe. Tout d'abord, retirez la plinthe pour exposer la zone du condensateur. Reportez-vous à l'illustration ci-après.

Le condensateur des modèles ICB427 et ICB427R se trouve derrière la plinthe/grille. Retirez les vis qui retiennent celle-ci. L'ensemble glissera facilement vers l'avant et vous pourrez accéder à la zone du condensateur. Reportez-vous à l'illustration ci-après.

Sur le modèle ICBWS-30, le condensateur est situé derrière la grille. Tirez d'abord sur le bord inférieur de la grille et faites-la basculer vers l'avant. Reportez-vous à l'illustration.

À l'aide d'une brosse à poils doux et du tuyau de l'aspirateur, enlevez la poussière et les peluches du condensateur.

REMARQUE IMPORTANTE : Pour éviter de plier les ailettes du condensateur, assurez-vous de passer l'aspirateur dans le sens des ailettes (de haut en bas).



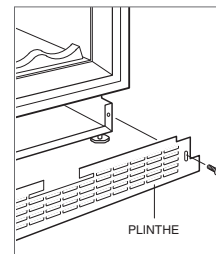
Emplacement du condensateur (Modèle ICBWS-30).

▲ MISE EN GARDE

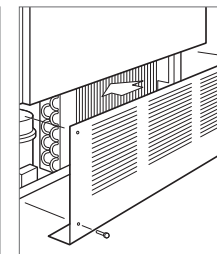
Avant de nettoyer le condensateur, coupez le courant au panneau de commande. Lorsque vous nettoyez le condensateur, mettez des gants afin d'éviter de vous blesser avec les rebords acérés des ailettes du condensateur.

▲ MISE EN GARDE

Le non-respect de cette consigne pourrait entraîner des pertes de température, des défaillances mécaniques ou des dommages.



Emplacement du condensateur (Modèles ICB424 et ICB424FS).



Emplacement du condensateur (Modèles ICB427 et ICB427R).

Conservation et dégustation du vin

Le vin doit être conservé et servi d'une certaine façon, et pas d'une autre. Pour cela, une cave à vin Sub-Zero s'impose. Les véritables amateurs de vin savent que le vin devrait toujours être conservé pendant de longues périodes, dans des caves sombres et humides, à l'abri des vibrations et à une température constante de 13 °C. Or, combien sont ceux qui parmi nous peuvent réunir ces conditions ?

Lorsque vous envisagez d'acquérir un vin, pensez à en préserver le bouquet et sachez que vous devez le réfrigérer à la température adéquate pour éviter qu'il ne se dégrade. N'oublions pas que le vin est purement et simplement le jus du raisin.

Après l'avoir rigoureusement sélectionné, on doit en prendre soin. Les vrais connaisseurs savent que lorsqu'il a été correctement conservé, le vin peut être dégusté dans les meilleures conditions.

Or, en achetant une cave à vin Sub-Zero, vous avez pris les dispositions nécessaires pour vous assurer que votre vin sera conservé dans des conditions optimales. Vous pouvez maintenant utiliser votre appareil comme vous l'entendez.

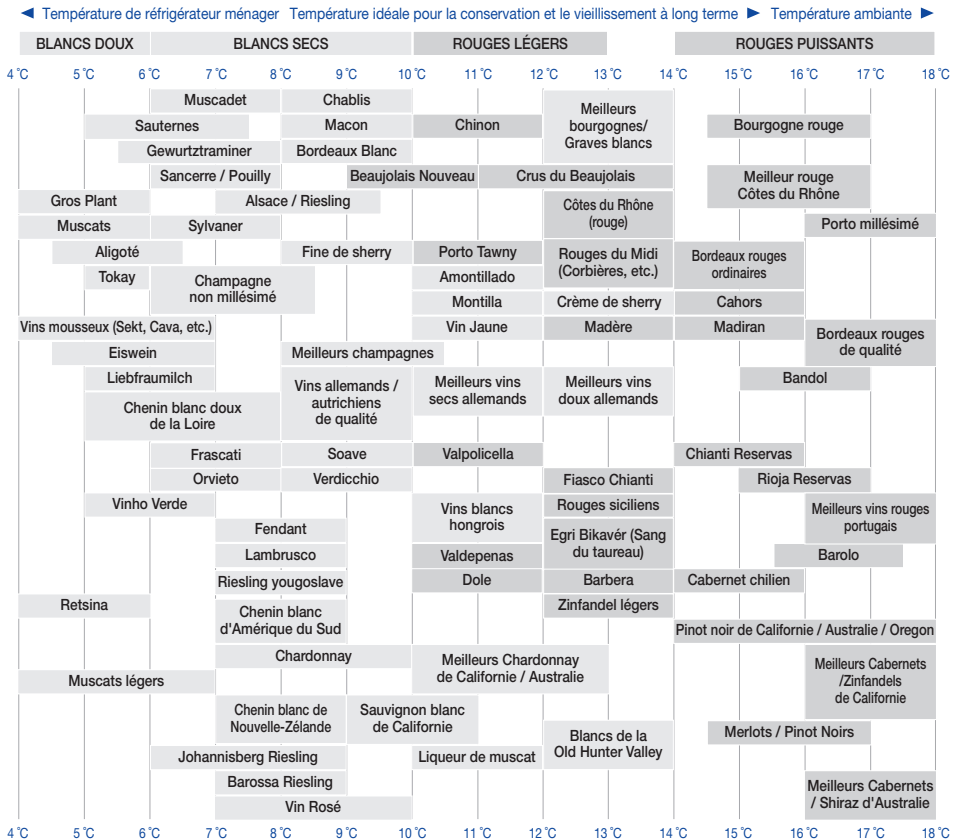
Vous pouvez consacrer entièrement votre cave à vin à la conservation à long terme et régler la température des deux zones à 13 °C – la température idéale pour la conservation et le vieillissement du vin à long terme. Par contre, si vous souhaitez ne consacrer qu'une petite section de l'appareil à cette fin, vous pouvez régler la température de la plus petite zone pour la conservation à long terme et celle de l'autre zone de température pour accommoder le vin que vous allez avoir le plaisir de déguster bientôt.

Le choix de la température de cette zone ne dépend que de vous. Bien évidemment, il existe des températures de conservation et de dégustation du vin idéales, mais ceci reste très subjectif car chaque palais réagit différemment à différentes températures.

Le tableau de la page suivante propose certaines des températures de conservation et de dégustation généralement acceptées pour les vins les plus couramment consommés de nos jours.

Prenez plaisir à déguster votre vin et profitez de votre cave à vin Sub-Zero. Merci de la confiance que vous témoignez envers Sub-Zero.

Températures de conservation et de dégustation du vin



© Octopus Publishing Group Ltd., tiré de The World Atlas of Wine de Hugh Johnson, publié par Mitchell Beazley, London.

Dépiage des pannes

Si votre cave à vin ne fonctionne pas correctement, reportez-vous au guide de dépiage des pannes ci-après avant de vous adresser à votre revendeur Sub-Zero. Ce guide vous permettra de gagner du temps, d'éviter des inconvénients et peut-être aussi les dépenses liées au dépannage.

La cave à vin ne fonctionne pas.

- L'appareil est-il alimenté en électricité ?
- Votre disjoncteur ou votre fusible est-il branché ?
- L'appareil est-il sous tension ? Appuyez sur la touche ①.
- La zone du condensateur est-elle propre ?

La cave à vin est plus chaude que d'habitude.

- La commande est-elle réglée correctement ?
- La zone du condensateur est-elle propre ?
- La porte ou les tiroirs (modèle ICB427R) sont-ils restés ouverts pendant une période prolongée ?

La cave à vin tourne pendant de longues périodes.

- La zone du condensateur est-elle propre ?
- Lorsqu'il fait chaud et que la température ambiante est élevée, le moteur tourne plus longtemps.
- La porte ou les tiroirs (modèle ICB427R) sont-ils restés ouverts pendant une période prolongée ?
- Avez-vous récemment ajouté beaucoup de bouteilles dans la cave à vin ?

De la condensation se forme à l'intérieur de l'appareil.

- Ceci est normal pendant les périodes où l'humidité est élevée (été) ou lorsque les portes sont fréquemment ouvertes.
- Les portes et les tiroirs (modèle ICB427R) se ferment-ils correctement et hermétiquement ?

De la condensation se forme à l'extérieur de l'appareil.

- Pendant les périodes où le taux d'humidité est élevé, de la condensation peut se former sur les surfaces extérieures. Elle disparaîtra lorsque le pourcentage d'humidité diminuera. Assurez-vous que les portes et les tiroirs (modèle ICB427R) se ferment correctement et hermétiquement. Si la condensation persiste, adressez-vous à votre revendeur Sub-Zero.

Votre appareil doit être dépanné.

- Si un service après-vente est nécessaire, faites appel à un revendeur Sub-Zero afin de préserver la qualité inhérente à votre appareil.
- Si vous nous contactez pour un service après-vente, vous devrez fournir la référence modèle et le numéro de série de votre appareil. Ces deux numéros figurent sur la plaque des caractéristiques du produit. Sur les modèles ICB424 et ICB424FS, cette plaque est située sur le dessous de la paroi supérieure. Sur les modèles ICB427, ICB427R et ICBWS-30, elle est fixée sur le dessous du panneau de commande.

Foire aux questions

TEMPÉRATURE

REMARQUE IMPORTANTE : Veillez à ce que la cave soit sous tension, sauf en cas de réparation ou d'entretien.

Q : Comment puis-je régler les températures ?

R : Pour régler les températures, reportez-vous à la section Contrôle des températures, page 31. Pour le modèle ICB427R, consultez également la page 32.

Q : Quels sont les réglages de température recommandés ?

R : Vous réglerez les températures selon vos préférences. La plage de chaque zone de température de votre cave à vin va de 3 °C à 18 °C ; vous pouvez sélectionner les températures qui vous semblent les mieux appropriées. Un tableau suggérant les températures de conservation et de dégustation figure à la page 36.

Q : De la condensation se forme à l'intérieur et à l'extérieur de l'appareil.

R : Durant les périodes où le taux d'humidité est élevé, la formation de condensation est normale. Elle peut également se former sur l'intérieur de l'appareil si la porte est restée ouverte pendant une période prolongée.

Q : L'appareil ne refroidit pas correctement.

R : Nettoyez le condensateur tel qu'indiqué à la page 35.

BRUIT

Q : Lorsque l'appareil marche, son bruit est fréquemment audible. Pourquoi ?

R : Le bruit émit par les ventilateurs et les moteurs est tout à fait normal. Certains bruits sont accentués en raison de l'emplacement de l'appareil ou de l'agencement de la pièce.

Service après-vente

Le présent Guide d'utilisation et d'entretien met à votre disposition les informations nécessaires pour conserver votre vin selon une qualité optimale dans votre cave à vin.

Si vous avez besoin de contacter le service après-vente, assurez-vous de disposer de la référence modèle et du numéro de série lorsque vous appelez. Ces deux numéros figurent sur la plaque des caractéristiques du produit. Sur les modèles ICB424 et ICB424FS, cette plaque est située sur le dessous de la paroi supérieure. Sur les modèles ICB427, ICB427R et ICBWS-30, elle est fixée sur le dessous du panneau de commande. Reportez-vous aux pages 29 et 30 pour repérer l'emplacement de la plaque des caractéristiques de votre modèle spécifique.

Référence modèle : _____

Numéro de série : _____

Date d'installation : _____

Revendeur Sub-Zero : _____

Téléphone : _____



SUB-ZERO® è un marchio depositato di Sub-Zero, Inc.

Grazie

La ringraziamo per aver acquistato la nuova cantina per vini Sub-Zero. Ultima novità in fatto di bellezza, progettazione e attenzione ai dettagli, la cantina per la conservazione dei vini continua la tradizione di Sub-Zero orientata verso qualità e affidabilità di livello superiore offrendo all'utente la serenità e la certezza di sapere che il proprio vino è conservato in modo adeguato e all'esatta temperatura selezionata.

Queste informazioni su uso e manutenzione rispondono a molte delle vostre domande sulle funzioni, sul funzionamento e sulla manutenzione della cantina per vini in dotazione. In caso di ulteriori domande, rivolgersi al proprio rivenditore.

Nota importante

Per garantire un utilizzo sicuro ed efficiente dei dispositivi Sub-Zero, prendere nota dei seguenti tipi di informazioni evidenziate nella guida:

NOTA IMPORTANTE evidenzia le informazioni che sono particolarmente importanti.

ATTENZIONE segnala una situazione con possibili lesioni minori o danni al prodotto qualora non ci si attenga a queste istruzioni.

AVVERTENZA indica un pericolo che potrebbe causare gravi lesioni o morte, qualora non ci si attenga alle precauzioni.

Funzioni della cantina per vini

- Sistema a doppia zona di temperatura—tutti i modelli di cantine per vini consentono un controllo della temperatura preciso e indipendente con un margine di scostamento di un grado rispetto alla temperatura prestabilita in entrambe le zone di temperatura.
- Il modello ICB427R ha una terza zona di temperatura—dei cassetti—per la conservazione delle bottiglie per tutto ciò che va conservato a temperature più basse rispetto al vino.
- Controlli elettronici—un microprocessore controlla tutte le funzioni elettroniche e consente di monitorare l'esatta temperatura preimpostata e di effettuare facilmente le regolazioni.
- Temperatura adeguata—ciascuna zona di temperatura della cantina per vini è compresa in un intervallo tra i 3 e i 18 °C e la temperatura impostata è indicata nel display a LED situato nel pannello di controllo.
- L'umidità ideale è mantenuta in tutta l'unità.
- Illuminazione discreta—la delicata illuminazione a LED a basso wattaggio può essere controllata indipendentemente dall'apertura della porta consentendo di mettere in bella mostra la propria collezione di vini in occasioni speciali.
- I ripiani metallici, resistenti e antiruggine, possono sostenere bottiglie normali da 750 ml, bottiglie medie e magnum. Rifiniti in ciliegio naturale, tutti gli scaffali assicurano un'adeguata conservazione del vino garantendo che il tappo sia sempre a contatto con il contenuto della bottiglia.
- Scaffali con gruppi scorrevoli che consentono l'estrazione per 3/4 al fine di facilitare l'accesso a tutte le bottiglie.
- Ripiano a vista caratteristico dei modelli ICB427, ICB427R e ICBWS-30, questo tipo di ripiano consente di mostrare le bottiglie più preziose della collezione. Il ripiano è inoltre valorizzato da una luce discreta situata all'interno del pannello di controllo.
- Spia di assistenza—una spia sul display a LED del pannello di controllo indica che l'unità richiede assistenza.
- Allarme domestico—le connessioni di cablaggio offrono la possibilità di allacciare la cantina per vini al sistema di allarme domestico
- Il modello ICB427R dispone di una funzione di allarme che emette un segnale acustico se la porta o un cassetto restano aperti.
- La modalità giorno sabbatico consente di tenere spente le luci durante l'osservanza di talune feste religiose.

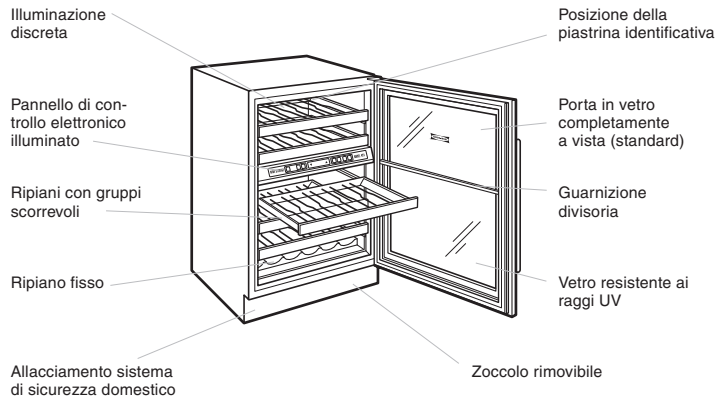
- La porta anteriore in vetro resistente ai raggi UV filtra i raggi dannosi.
- Lucchetto opzionale—il lucchetto è disponibile come accessorio. Per i dettagli, rivolgersi al proprio rivenditore Sub-Zero di fiducia.
- Le guarnizioni magnetiche intorno alle porta aumentano notevolmente la tenuta.
- Lo zoccolo regolabile dona all'unità un vero aspetto ad incasso ed è conforme agli standard dettati dall'American Institute of Architects.
- Ventilazione anteriore—tutti i modelli di cantina per vini Sub-Zero sono concepiti per consentire il flusso dell'aria dell'impianto meccanico dalla parte anteriore dell'unità.



Grazie all'installazione di un kit di cablaggio, questi elettrodomestici sono conformi alla direttiva Star-K per soddisfare severi requisiti religiosi in relazione alle istruzioni disponibili sul sito www.star-k.org. Per dettagli su questo kit, contattare il proprio rivenditore Sub-Zero di fiducia.

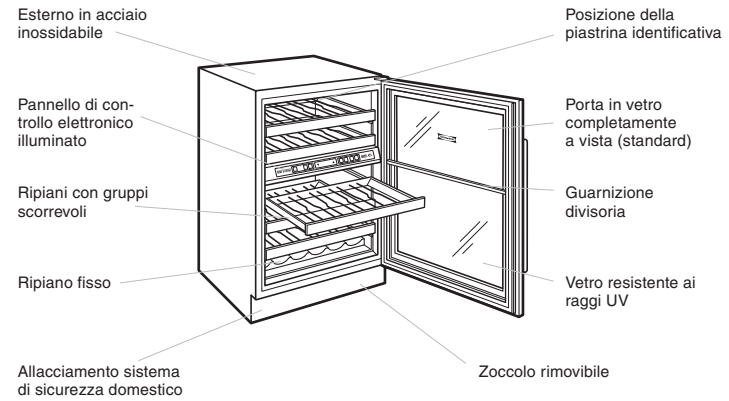
Modello ICB424

CANTINA PER VINI SOTTO IL PIANO DI LAVORO



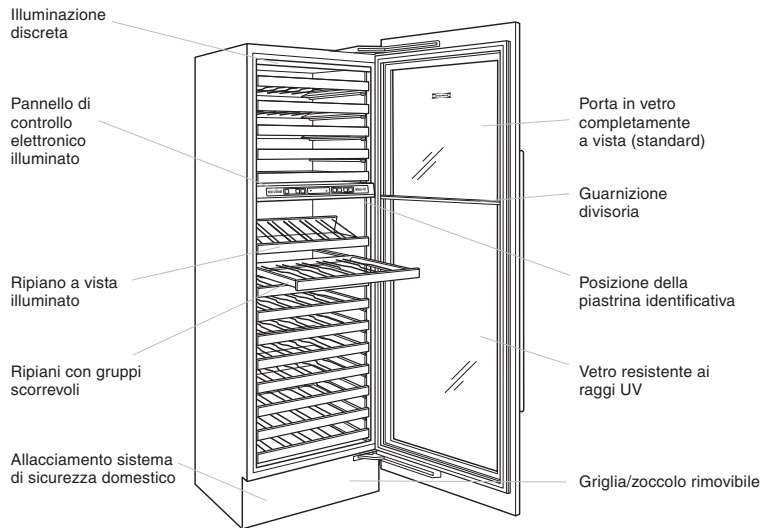
Modello ICB424FS

CANTINA PER VINI A INSTALLAZIONE AUTONOMA



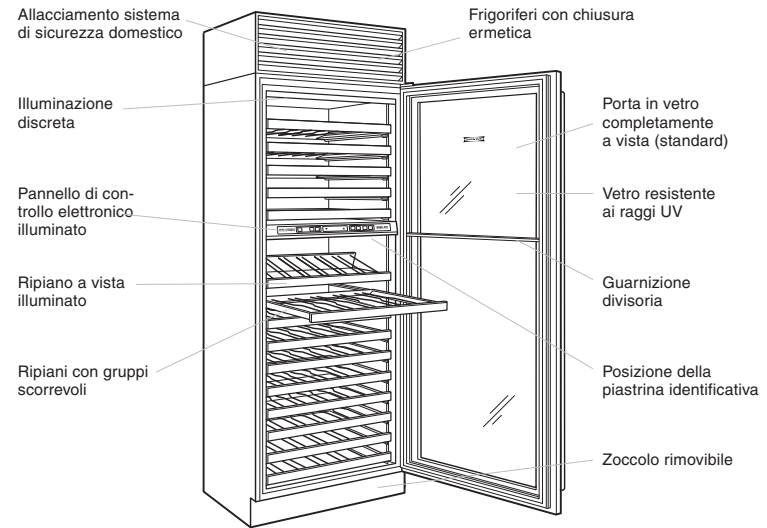
Modello ICB427

SOLO CANTINA PER VINI



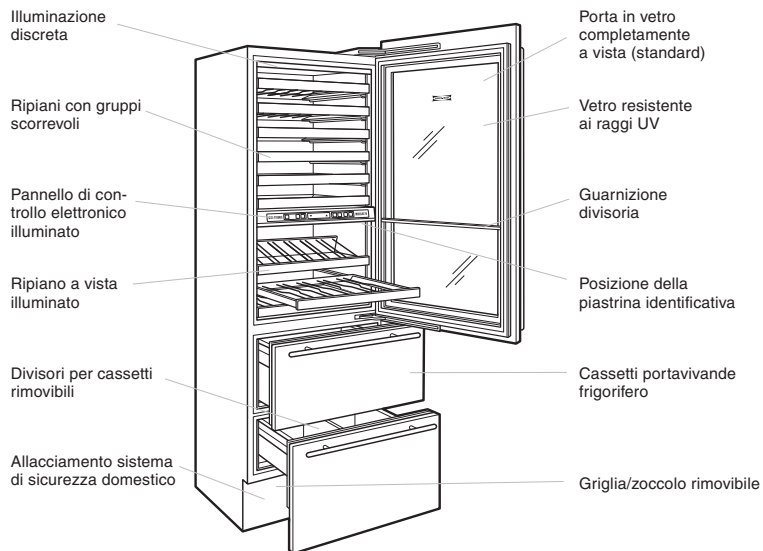
Modello ICBWS-30

SOLO CANTINA PER VINI



Modello ICB427R

CANTINA PER VINI CON CASSETTI



Sistema di controllo elettronico

Il sistema di controllo elettronico della cantina per vini Sub-Zero consente un precisissimo controllo della temperatura per una maggiore serenità. Il vostro vino sarà conservato alla temperatura selezionata, che si tratti di vino a invecchiamento lungo o di vino da consumare la sera stessa a cena.

Un microprocessore campiona accuratamente la temperatura ogni secondo in ciascuna delle due zone per garantire che le temperature restino entro i limiti di un grado di discrepanza rispetto alle temperature prestabilite. Inoltre monitorizza il funzionamento dell'unità e avvisa l'utente in caso sia necessario un intervento di manutenzione.

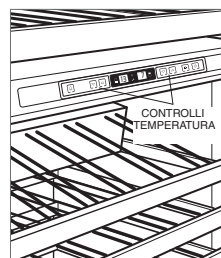
CONTROLLO TEMPERATURA

In tutti i modelli di cantine per vini è possibile impostare due temperature diverse, una per ogni zona dell'unità. Il prodotto è stato ispezionato e testato con cura prima di essere spedito dalla fabbrica. La temperatura prestabilita è di 7 °C nella zona superiore e di 13 °C in quella più ampia.

Il pannello di controllo è dotato di due set di tasti, \triangle e ∇ , uno per ciascuna delle due zone di temperatura separate. Una freccia accanto alla temperatura sul display a LED indica la temperatura che corrisponde a ciascuna zona. Fare riferimento alla figura di seguito.

Il tasto ∇ sul pannello di controllo consente di diminuire di un grado la temperatura nella zona corrispondente a ogni tocco del tasto. Tenere presente che l'intervallo di temperatura in ciascuna zona è compreso tra i 3 e i 18 °C ed è possibile impostare temperature differenti in ciascuna zona.

Così come per il tasto ∇ , è possibile alzare di un grado la temperatura nella zona corrispondente a ogni tocco del tasto \triangle sul pannello di controllo.



Pannello di controllo elettronico.

DISPLAY A LED

Le funzioni del sistema di controllo elettronico, quali temperature digitali e indicatori di manutenzione, compaiono sul display aLED situato sul pannello di controllo. Le temperature di ciascuna zona sono visibili attraverso la porta in vetro della cantina per vini. Se si utilizza la cantina frequentemente, i numeri relativi alle temperature potrebbero subire lievi variazioni.

UNITÀ ACCESA/SPENTA

Il tasto ⓪ sul pannello di controllo interrompe completamente l'alimentazione all'unità per consentire pulizia e manutenzione.

LUCI ACCESE/SPENTE

Tutte le cantine per vini offrono l'opportunità di accendere le luci indipendentemente dall'apertura e chiusura della porta. Ciò consente di mettere in bella mostra la propria collezione di vini nelle occasioni speciali.

Affinché le luci rimangano accese indipendentemente dall'apertura e chiusura della porta premere il tasto ⓪ .

Premere il tasto nuovamente per spegnere le luci insieme alla chiusura della porta.

⚠ ATTENZIONE

Non bisogna lasciare le luci accese anche di notte per periodi molto lunghi. Il calore sprigionato dalle luci causa un sovraccarico inutile di lavoro.

FUNZIONE DI ALLARME

Se il microprocessore individua fluttuazioni della temperatura o componenti difettosi, un segnale acustico e il simbolo ⓪ iniziano a lampeggiare sul display a LED del pannello di controllo. Inoltre, se l'unità è allacciata al sistema di sicurezza domestico, il segnale allerta anche il sistema. È possibile disattivare la funzione di allarme e il segnale acustico premendo il tasto ⓪ . Se l'allarme è stato disattivato, nel display a LED il simbolo ⓪ non viene visualizzato.

MODALITÀ GIORNO SABBATICO (STAR-K)

Tutte le cantine per vini sono dotate della modalità giorno sabbatico. Ciò per consentire lo spegnimento delle luci in base ad alcune pratiche religiose.

Per avviare la modalità giorno sabbatico con l'unità accesa, premere il tasto ⓪ in modo da visualizzare 'off' sul display a LED del pannello di controllo. L'unità è spenta.

Tenere premuto il tasto ⓪ per 10 secondi. Ciò consente di ricollegare l'unità disabilitando le luci. Per tornare all'illuminazione regolare, premere e rilasciare il tasto di comando ⓪ .

In caso di domande sulla conformità Star-K, visitare il sito Web www.star-k.org.

DISPLAY DI MANUTENZIONE VISIVA

Il sistema di controllo elettronico monitorizza le temperature e il corretto funzionamento dell'unità. Se si verificano problemi di temperatura o di funzionamento il simbolo ⓪ si illumina nel display a LED sul pannello di controllo. Prima di contattare l'assistenza controllare se l'area del condensatore necessita interventi di pulizia. Consultare Pulizia del condensatore a pagina 48.

Cassetti del frigorifero — Modello ICB427R

CONTROLLO TEMPERATURA

I cassetti del modello ICB427R sono dotati di un proprio microprocessore e di un proprio pannello di controllo situato all'interno del cassetto superiore. La temperatura predefinita in fabbrica è di 3 °C ma è possibile effettuare regolazioni all'interno di un intervallo compreso tra 1 e 7 °C. Il display LCD situato sul pannello di controllo riporta la temperatura effettiva di entrambi i cassetti dell'unità.

Il tasto ▽ sul pannello di controllo consente di diminuire di un grado la temperatura dei cassetti a ogni tocco del tasto. La temperatura nei cassetti aumenta invece di un grado a ogni tocco del tasto ▲ sul pannello di controllo.

FUNZIONE DI ALLARME

Nel modello ICB427R, l'allarme emette un segnale acustico se un cassetto resta aperto.

Quando l'allarme è attivo, si accende il simbolo 🔔 sul display LCD del pannello di controllo. Quando l'allarme non è attivo, il simbolo 🔔 non è visualizzato.

Impostazioni della temperatura

In tutti i casi, l'impostazione della temperatura è una scelta dell'utente in base alle proprie preferenze e, grazie a ogni singolo modello di cantina per vini acquistato, si può avere la certezza che tali temperature vengono mantenute. A pagina 49 è riportata una tabella che indica le temperature di conservazione e di portata consigliate.

Dal momento che ciascuna delle due zone può essere impostata in un intervallo di temperatura compreso tra i 3 e i 18 °C, è possibile scegliere la temperatura che si ritiene più adeguata sia se si tratta di vino da tavola, sia se si desidera ricreare la temperatura delle cantine per i vini a invecchiamento lungo.

Cantine per vino

RIPIANI DELLA CANTINA PER VINI

Tutti i modelli di cantine per vini Sub-Zero sono dotati di ripiani con gruppi scorrevoli che consentono di estrarli per 3/4 per un più facile accesso alle bottiglie.

NOTA IMPORTANTE: tutti i ripiani dei modelli ICB424 e ICB424FS sono dotati di gruppi scorrevoli fatta eccezione dell'ultimo ripiano che non è rimovibile.

Tutti i ripiani hanno listelli frontali in ciliegio naturale che possono essere facilmente sostituiti con altri tipi di legno in coordinato con i pensili circostanti. Per i dettagli relativi alla sostituzione dei listelli frontali in legno dei ripiani consultare la guida al design Sub-Zero.

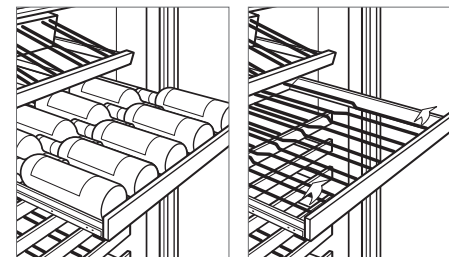
NOTA IMPORTANTE: se si decide di applicare colore o finitura ai listelli in legno di ciliegio naturale dei ripiani, tenere presente che alcune sostanze sono pericolose e potrebbero danneggiare il vino.

L'obiettivo delle nostre cantine è quello di ottenere una capacità massima di conservazione delle bottiglie in un ambiente in cui il vino resti sempre a contatto con il tappo e a temperature uniformi. Fare riferimento alla figura per una corretta sistemazione delle bottiglie sugli scaffali.

È possibile sistemare sui ripiani le bottiglie medie e magnum nello stesso modo in cui vengono appoggiate le bottiglie standard da 750 ml.

⚠ ATTENZIONE

Quando si desidera conservare bottiglie magnum è necessario rimuovere il ripiano superiore rispetto al ripiano dove si intende riporre la bottiglia per poterla estrarre o riporre più facilmente. In caso contrario le bottiglie potrebbero rompersi.



Disposizione delle bottiglie.

Rimozione dei ripiani della cantina per vini.

RIMOZIONE DEI RIPIANI DELLA CANTINA PER VINI

Per rimuovere un ripiano, estrarlo completamente fin quando non si arresta, sollevarlo delicatamente e uniformemente da entrambi i lati della parte anteriore e rimuoverlo. Fare riferimento alla figura precedente. Invertire la procedura per riposizionare il ripiano.

⚠ ATTENZIONE

Assicurarsi di aver rimosso tutte le bottiglie dai ripiani prima di iniziare ad asportarli.

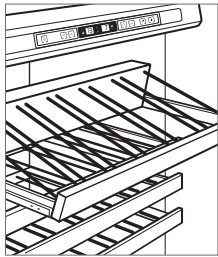
Cantine per vino

RIPIANO A VISTA

I modelli ICB427, ICB427R e ICBWS-30 sono dotati di un ripiano a vista che consente di mettere in bella mostra le bottiglie più preziose della collezione. Il ripiano è inoltre valorizzato da una luce discreta situata all'interno del pannello di controllo. Il ripiano a vista è concepito in modo da consentire al vino di essere sempre a contatto con il tappo. Fare riferimento alla figura di seguito.

NOTA IMPORTANTE: il ripiano a vista può ospitare una sola fila di bottiglie adagiate in modo che il fondo della bottiglia sia appoggiato alla guida in legno mentre il collo e il tappo si trovano verso la parte posteriore dell'unità.

NOTA IMPORTANTE: i modelli ICB424 e ICB424FS non sono dotati di ripiani a vista.



Ripiano a vista.

RIMOZIONE DEL RIPIANO A VISTA

Per rimuovere il ripiano a vista, estrarlo completamente fino a quando non si arresta, sollevarlo delicatamente e uniformemente da entrambi i lati della parte anteriore e rimuoverlo. Invertire la procedura per riposizionare il ripiano.

⚠ ATTENZIONE

Assicurarsi di aver rimosso tutte le bottiglie dai ripiani prima di iniziare ad asportarli.

Cassetti del frigorifero — Modello ICB427R

RIMOZIONE DEI CASSETTI

NOTA IMPORTANTE: per il modello ICB427R, occorre scollegare il cavo di controllo prima di rimuovere il cassetto superiore. Fare riferimento alla figura di seguito.

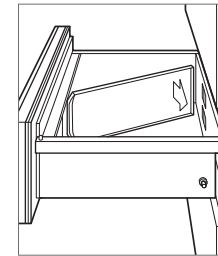
Per rimuovere i cassetti del modello ICB427R, tirare il cassetto in avanti finché non si arresta. Sollevare la parte anteriore del cassetto ed estrarlo, come mostrato di seguito in figura.

NOTA IMPORTANTE: assicurarsi di aver svuotato il cassetto prima di rimuoverlo.

Per rimontare il cassetto, sollevarne la parte anteriore e posizionarla sui binari scorrevoli del cassetto. Accertarsi di agganciare i fori anteriori del meccanismo scorrevole del cassetto ai piccoli perni situati all'estremità di ciascun binario.

⚠ ATTENZIONE

Prima di rimuovere il cassetto superiore del modello ICB427R, si DEVE necessariamente scollegare il cavo di controllo.

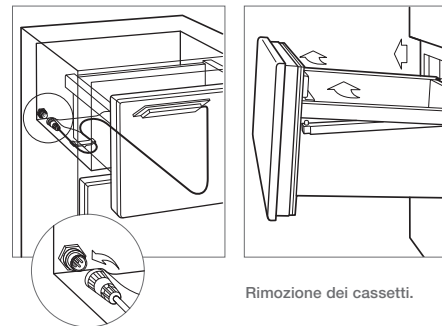


Divisore per cassetti.

DIVISORE PER CASSETTI

Ciascun cassetto del modello ICB427R è dotato di un divisore, che può essere agevolmente rimosso.

Per la rimozione, tirare in avanti il divisore per cassetti e fare perno sul limite posteriore del divisore, allontanandolo dalla parte posteriore del cassetto. Invertire la procedura per riposizionare il divisore. Fare riferimento alla figura precedente.



Cavo di controllo.

Rimozione dei cassetti.

Funzionamento della porta

CHIUSURA DELLA PORTA

La porta della cantina per vini è dotata di un meccanismo di chiusura caricato a molla. Quando la porta viene chiusa, il meccanismo di chiusura ha la funzione di agevolare la chiusura e di tenere sigillata la porta.

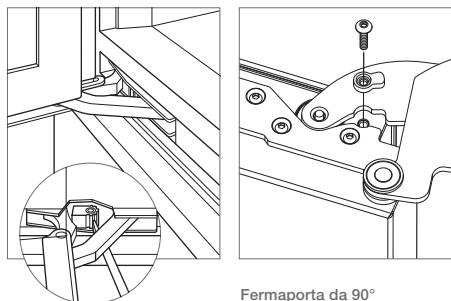
FERMAPORTA DA 90°

Se la cantina è posizionata in un angolo, l'apertura della porta deve essere limitata a 90°.

NOTA IMPORTANTE: per i modelli ICB424 e ICB424FS non sono disponibili fermaporta da 90°.

I modelli ICB427 e ICB427R dispongono di un fermaporta da 90 gradi incorporato nel sistema a cardine. Per azionare il fermoporta basta usare un cacciavite a lama piatta e ruotare la camma in ottone nei cardini superiore e inferiore della porta. Per poter usare la porta in modo sicuro occorre posizionare entrambi i fermaporta da 90 gradi. È possibile raggiungere l'apertura massima di 105 gradi usando il cacciavite e ruotando la camma in ottone fino al punto di fermo. Fare riferimento alla figura di seguito.

Il modello ICBWS-30 prevede un fermaporta da 90° che si trova dietro la griglia sollevabile. Fare riferimento alla figura di seguito.



Fermaporta da 90°
(modelli ICB427 e ICB427R)

Fermaporta da 90°
(modello ICBWS-30).

⚠ AVVERTENZA

L'apertura delle porte dei modelli ICB427 e ICB427R potrebbe causare lo schiacciamento delle dita. Con la porta aperta, fare attenzione a non infilare le dita nell'apertura della porta sul lato del cardine.

Informazioni sul sistema di illuminazione

ILLUMINAZIONE DELL'ELETTRODOMESTICO

I modelli ICB424 e ICB424FS sono dotati di illuminazione a filo lungo il lato superiore del mobile che discende a cascata su tutta la parte anteriore dell'unità.

I modelli ICB427, ICB427R e ICBWS-30 sono dotati di illuminazione discreta in due posizioni differenti. L'illuminazione a filo si trova lungo tutta la parte superiore dell'unità mentre un'illuminazione aggiuntiva è situata sul pannello di controllo per illuminare il ripiano a vista. Fare riferimento alla figura.

Queste luci hanno lunga durata e vanno sostituite dopo lunghi periodi. In caso di problemi relativi all'illuminazione dell'unità o nel caso in cui si debbano sostituire le luci, rivolgersi al proprio rivenditore Sub-Zero di zona.



Illuminazione del pensile
(modelli ICB427, ICB427R
e ICBWS-30).

Illuminazione vano cassetto
(modello ICB427R).

⚠ AVVERTENZA

Prima di sostituire la lampadina, isolare l'unità. Indossare guanti di protezione prima di toccare le lampadine.

ILLUMINAZIONE DEL CASSETTO—MODELLO ICB427R

L'illuminazione è incassata nell'area superiore di ciascuno scomparto del cassetto del frigo del modello ICB427R. Fare riferimento alla figura precedente.

Per sostituire la lampadina nel vano di uno dei cassettei, estrarre completamente il cassetto fino alla massima apertura. È consigliabile rimuovere il cassetto. Consultare la procedura di rimozione dei cassettei a pagina 46.

Rimuovere la lampadina da 15 watt svitandola dal portalam-pada e completare la reinstallazione mediante la procedura inversa.

Pulizia

ESTERNO IN ACCIAIO INOSSIDABILE

Finitura classica in acciaio inossidabile: per pulire l'esterno delle finiture in acciaio inossidabile classico, usare un detergente neutro e non abrasivo per acciaio inossidabile ed applicarlo con un panno morbido e senza filaccia.

Diversi tipi di luci e ambienti possono portare a giochi di ombre sui componenti e le aree degli elettrodomestici di dimensioni superiori. Per far risaltare la lucentezza naturale della rifinitura, pulire delicatamente la superficie con un panno in macrofibra umido e quindi con una pelle di camoscio asciutta.

Procedere nella direzione naturale della satinatura dell'acciaio. Per ottenere risultati ottimali tenere il panno a continuo contatto con l'acciaio inossidabile.

⚠ ATTENZIONE

Spugnette metalliche, detersivi o panni altamente abrasivi, non vanno usati in nessun caso onde evitare di graffiare la finitura originale in acciaio inossidabile.

PULIZIA DELLA PORTA IN VETRO

Il pannello della porta in vetro può essere pulito utilizzando un normale detergente per vetri.

PULIZIA DEGLI INTERNI

Per pulire le superfici interne e le parti rimovibili, lavare con detersivo neutro, acqua tiepida e un cucchiaino di bicarbonato. Non usare aceto. Sciacquare e asciugare bene. Evitare che le luci, il pannello di controllo e i listelli frontali in legno di ciliegio dei ripiani entrino in contatto con l'acqua.

Non usare detersivi o panni abrasivi sulle superfici interne ed esterne, incluso il pannello della porta in vetro.

⚠ ATTENZIONE

Prima di pulire l'unità togliere corrente dall'unità presso il pannello di controllo.

PULIZIA DEL CONDENSATORE

Pulire il condensatore ogni tre-sei mesi. La frequenza delle pulizie dipende dalla quantità di polvere e lanuggine che si accumula nell'area della cantina.

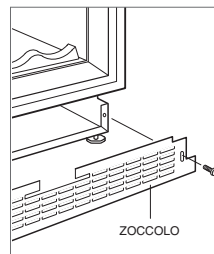
Nei modelli ICB424 e ICB424FS il condensatore si trova dietro lo zoccolo. In primo luogo, rimuovere lo zoccolo per esporre l'area del condensatore. Fare riferimento alla figura di seguito.

Il condensatore dei modelli ICB427 e ICB427R si trova dietro lo zoccolo/la griglia. Rimuovere le viti che sostengono lo zoccolo/griglia. Il gruppo scorre facilmente in avanti, consentendo di accedere all'area del condensatore. Fare riferimento alla figura di seguito.

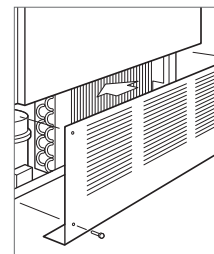
Nel modello ICBWS-30 il condensatore si trova dietro la griglia. In primo luogo, estrarre il bordo inferiore della griglia e inclinarla verso l'alto. Fare riferimento alla figura.

Usare una spazzola morbida e il tubo flessibile dell'aspirapolvere per rimuovere polvere e lanuggine dal condensatore.

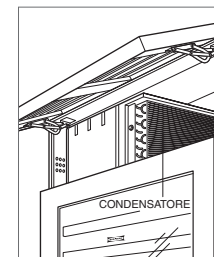
NOTA IMPORTANTE: per evitare di piegare le lamelle del condensatore, assicurarsi di aspirare nella stessa direzione della lamelle (dall'alto verso il basso).



Posizione del condensatore (modelli ICB424 e ICB424FS).



Posizione del condensatore (modelli ICB427 e ICB427R).



Posizione del condensatore (modello ICBWS-30).

⚠ ATTENZIONE

Prima di pulire il condensatore togliere la corrente dall'unità presso il pannello di controllo e indossare guanti onde evitare di tagliarsi con le lamelle affilate del condensatore.

⚠ ATTENZIONE

La mancata pulizia del condensatore potrebbe causare un calo della temperatura, guasti meccanici o danni.

Come servire e conservare il vino

Esiste un modo corretto di conservare e servire il vino. E naturalmente ne esiste uno errato. La cantina per la conservazione dei vini Sub-Zero è orientata nella giusta direzione. Gli appassionati del vino sanno che, in situazioni ottimali, il vino va conservato per lunghi periodi in grotte prive di alcuna vibrazione, buie, umide e alla temperatura costante di 13 °C. Questo, tuttavia, non sempre è possibile.

Pensando al vino viene in mente il modo in cui viene conservata la frutta in frigorifero alla giusta temperatura per evitare che si deteriori. Dopo tutto il vino non è altro che succo d'uva nel senso più stretto del termine.

Il vino dunque ha bisogno di essere scelto e conservato con cura. Gli amanti del vino sanno che una corretta conservazione garantisce che il vino venga servito al meglio.

Acquistando la cantina per vini Sub-Zero avete dunque compiuto un passo in più per essere sicuri che il vostro vino venga conservato nel miglior ambiente possibile. Ora è il momento di utilizzare la cantina a vostro piacimento.

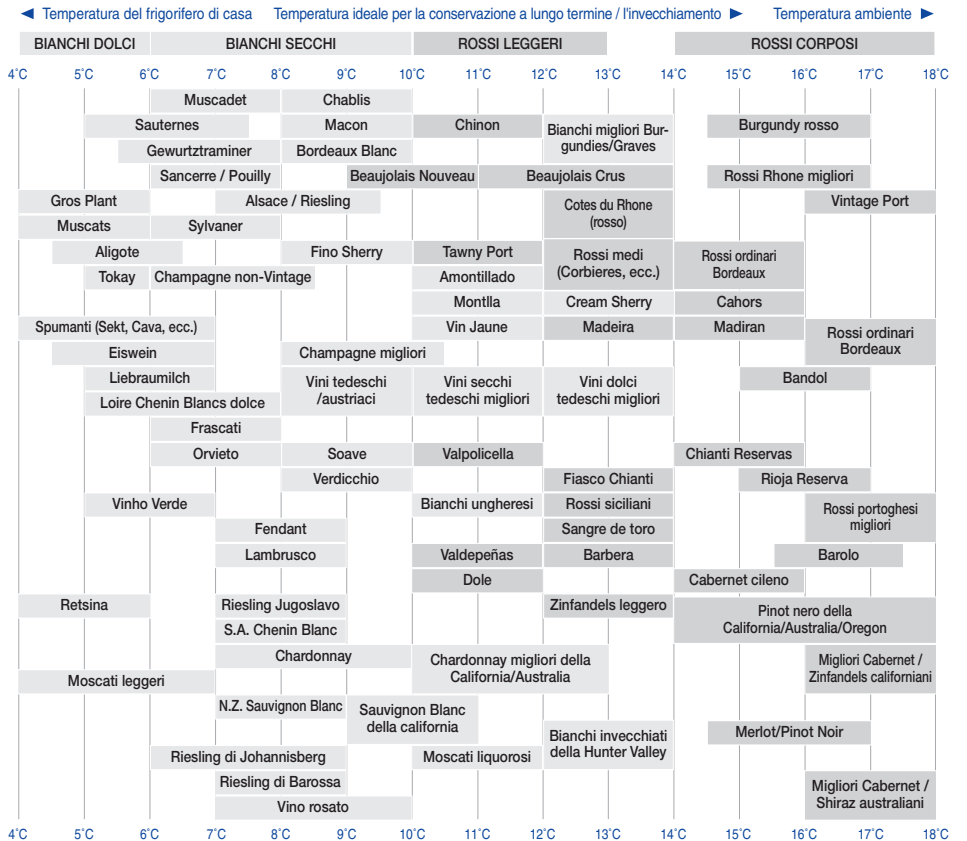
È possibile scegliere di dedicare la cantina interamente alla conservazione dei vini a lungo termine con una temperatura impostata sui 13 °C in entrambe le zone la temperatura ideale per conservazione o l'invecchiamento a lungo termine. Tuttavia, se desiderate dedicare solo una piccola parte della cantina per questo fine, potete tranquillamente regolare la temperatura nella zona più piccola per la conservazione a lungo termine e regolare l'altra zona di temperatura per accogliere il vino già pronto da assaporare.

La temperatura in questa zona rispecchia completamente i tuoi desideri. Indubbiamente esistono temperature ideali alle quali servire il vino, ma resta comunque una questione molto soggettiva in quanto ciascun palato reagisce in modo differente alle varie temperature.

La tabella seguente mostra alcune delle temperature universalmente accettate per conservare e servire i vini più comuni.

Gustate e godetevi il vostro vino grazie alla cantina per vini Sub-Zero. Vi ringraziamo per la fiducia in Sub-Zero.

Temperature per servire e conservare il vino




© Octopus Publishing Group Ltd., tratto da "The World Atlas of Wine" di Hugh Johnson, pubblicato da Mitchell Beazley, Londra.

Soluzione dei problemi

Se la cantina per vini non funziona correttamente, consultare la Guida alla soluzione dei problemi prima di chiamare il proprio rivenditore Sub-Zero. Questa guida consente di risparmiare tempo e denaro, evitando l'intervento di un tecnico.

La cantina per vini non funziona.

- L'unità è collegata all'alimentazione?
- L'interruttore automatico di casa è acceso?
- La cantina è accesa? Premere il tasto .
- L'area del condensatore è pulita?

La cantina per vini è più calda del normale.

- Il pannello di controllo è impostato correttamente?
- L'area del condensatore è pulita?
- Le porte e i cassetti (modello ICB427R) sono rimasti aperti per molto tempo?

La cantina per vini funziona per periodi prolungati di tempo.

- L'area del condensatore è pulita?
- Quando fa molto caldo e a temperature ambiente elevate, il motore funziona più a lungo.
- Le porte e i cassetti (modello ICB427R) sono rimasti aperti per molto tempo?
- È stato aggiunto di recente un grosso carico di vino?

All'interno dell'unità si forma della condensa.

- Questo è normale durante periodi di umidità elevata (estate) e se le porte vengono aperte di frequente.
- Le porte ed i cassetti si chiudono e le guarnizioni aderiscono correttamente?

All'esterno dell'unità si forma della condensa.

- Durante periodi di umidità elevata, sulle superfici esterne potrebbe formarsi della condensa. La condensa sparisce con il calare dell'umidità. Accertarsi che le porte ed i cassetti (modello ICB427R) si chiudano e le guarnizioni aderiscano correttamente. Se la condensa continua, rivolgersi al proprio rivenditore Sub-Zero.

Occorre assistenza.

- In caso di assistenza, garantire la qualità tipica dei prodotti Sub-Zero rivolgendosi ad un rivenditore Sub-Zero.
- Prima di contattare l'assistenza, individuare i numeri di modello e di serie dell'unità. Le cifre sono indicate sull'etichetta identificativa del prodotto. Per i modelli ICB424 e ICB424FS, l'etichetta identificativa si trova in basso sulla parete superiore. Nei modelli ICB427, ICB427R e ICBWS-30 la piastrina si trova in basso sul pannello di controllo.

Domande frequenti

TEMPERATURA

NOTA IMPORTANTE: a meno che la cantina per vini non sia in fase di assistenza, assicurarsi che l'unità sia sempre collegata all'alimentazione.

D: Come si regola la temperatura?

R: Per regolare la temperatura, consultare la sezione Controllo della temperatura, a pagina 44. Per il modello ICB427R consultare la pagina 45.

D: Quali sono le impostazioni suggerite per la temperatura?

R: Le impostazioni della temperatura sono scelte dall'utente in base alle proprie preferenze. Dal momento che ciascuna delle due zone della cantina per vini può essere impostata in un intervallo di temperatura compreso tra i 3 e i 18 °C, è possibile scegliere la temperatura che si ritiene più adeguata. A pagina 49 è riportata una tabella che indica le temperature di conservazione e di portata consigliate.

D: All'interno ed all'esterno del frigorifero si forma della condensa.

R: In ambienti con umidità elevata, la formazione di condensazione è normale. Anche una porta aperta per un periodo di tempo prolungato contribuisce alla formazione di condensa all'interno dell'unità.

D: La cantina non raffredda correttamente.

R: Pulire il condensatore, come spiegato a pagina 48.

RUMORE

D: Perché la cantina funziona di continuo?

R: È normale sentire che le ventole e i motori dell'unità siano in funzione. I rumori vengono accentuati dalla posizione dell'unità e dal design della stanza.

Informazioni per l'assistenza

Queste informazioni su uso e manutenzione offrono gli strumenti necessari per conservare il vino nella propria cantina per vini in modo eccellente.

In caso fosse necessario contattare l'assistenza, prima di chiamare accertarsi di avere a disposizione il numero di modello e di serie dell'unità. Le cifre sono indicate sulla piastrina identificativa del prodotto. Per i modelli ICB424 e ICB424FS, la piastrina identificativa si trova in basso sulla parete superiore. Nei modelli ICB427, ICB427R e ICBWS-30 la piastrina si trova in basso sul pannello di controllo. Consultare le pagine 42-43 per la posizione della piastrina identificativa del modello in dotazione.

Numero del modello: _____

Numero di serie: _____

Data di installazione: _____

Rivenditore Sub-Zero: _____

Telefono: _____



SUB-ZERO® ist eine eingetragene Marke der Sub-Zero, Inc.

Vielen Dank

Vielen Dank dafür, dass Sie sich für ein neues Weinlagerungsgerät von Sub-Zero entschieden haben. Dieses Weinlagerungsgerät besticht durch die Schönheit seines Designs, moderne Technologie, Detailgenauigkeit und Funktionalität und knüpft somit an die Tradition herausragender Qualität und Zuverlässigkeit von Sub-Zero an. Sie haben das beruhigende Gefühl, dass Ihr Wein genau bei der von Ihnen gewählten Temperatur ordnungsgemäß gelagert wird.

Diese Bedienungs- und Pflegeanleitung beantwortet die meisten Ihrer Fragen über die Funktionen, die Bedienung und Pflege Ihres Weinlagerungsgeräts. Falls Sie irgendwelche Fragen haben, die hier nicht angesprochen sind, wenden Sie sich an Ihren Händler.

Wichtiger Hinweis


Um eine sichere und effiziente Verwendung von Sub-Zero-Geräten zu gewährleisten, beachten Sie bitte die folgenden Arten hervorgehobener Informationen in der gesamten Anleitung:

WICHTIGER HINWEIS hebt Informationen hervor, die besonders wichtig sind.

ACHTUNG ist ein Hinweis auf eine Situation, die bei Nichtbeachtung der Anweisungen zu geringfügigen Personen- oder Sachschäden führen kann.

VORSICHT weist auf eine Gefahr hin, die bei Nichtbeachtung der Anweisungen zu schweren Verletzungen oder zum Tod führen kann.

Weinlagerungsfunktionen

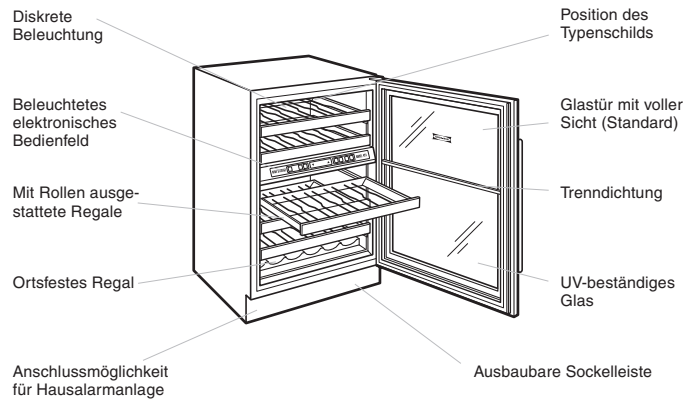
- Zwei Temperaturzonen – alle Weinlagerungsmodelle bieten eine präzise, unabhängige Temperaturregelung, die in jeder der zwei Temperaturzonen immer bis auf ein Grad Ihrer voreingestellten Temperatur präzise ist.
- Modell ICB427R verfügt über eine dritte Temperaturzone – Flaschenlagerungsschubladen – für Artikel, die bei einer kälteren Temperatur als Ihr Wein gelagert werden sollen.
- Elektronische Steuerungen – ein Mikroprozessor steuert alle elektronischen Funktionen und ermöglicht die genaue Überwachung der voreingestellten Temperatur sowie das Vornehmen von Anpassungen.
- Korrekte Temperatur – jede Temperaturzone Ihres Weinlagerungsgeräts hat einen Bereich von 3 °C bis 18 °C, und die eingestellte Temperatur wird im LED-Display auf dem Bedienfeld angezeigt.
- Im ganzen Gerät wird die richtige Luftfeuchtigkeit aufrechterhalten.
- Diskrete Beleuchtung – unsere LED-Beleuchtung mit niedrigem Stromverbrauch kann unabhängig vom Öffnen der Tür gesteuert werden, sodass Sie Ihre Weinkollektion bei besonderen Anlässen auch zur Schau stellen können.
- Auf den robusten, rostfreien Drahtregalen können problemlos standardmäßige 750-ml-Flaschen, Demi- und Magnum-Flaschen untergebracht werden. Alle Regale sind mit einer Holzverkleidung in Naturkirsche endverarbeitet und gewährleisten eine korrekte Lagerung der Weine, da die Korken stets mit dem Flascheninhalt in Berührung sind.
- Mit Rollen ausgestattete Regale, die sich um drei Viertel herausziehen lassen, für einen leichten Zugriff auf alle gelagerten Weine.
- Display-Regal – bei Modellen ICB427, ICB427R und ICBWS-30 können Sie mit diesem Regal die preisgekrönten Exemplare Ihrer Weinkollektion zur Schau stellen. Es wird durch eine im Bedienfeld montierte diskrete Beleuchtung angestrahlt.
- Servicealarm – eine Anzeigelampe  im LED-Display auf dem Bedienfeld informiert Sie, ob ein Service notwendig ist.
- Hausalarm – mit Drahtanschlüssen haben Sie die Möglichkeit, das Weinlagerungsgerät an Ihre Hausalarmanlage anzuschließen.
- Das Modell ICB427R verfügt über eine Alarmfunktion, die einen hörbaren Piepton abgibt, wenn eine Schublade offen gelassen wurde.
- Mithilfe der Sabbatfunktion können die Lampen während bestimmter religiöser Feiertage ausgeschaltet bleiben.
- UV-beständiges Glas in der Tür filtert schädliche UV-Strahlung aus.
- Optionales Schloss – ein Schloss ist als Verkaufszubehör erhältlich. Einzelheiten hierzu erfahren Sie von Ihrem Sub-Zero-Händler.
- Magnetische Dichtungen um die Türen sorgen für eine besonders hohe Dichtkraft.
- Die robuste, verstellbare Sockelleiste vervollständigt den echten Einbau-Look und entspricht den Normen des American Institute of Architects (Amerikanisches Institut der Architekten).
- Vordere Entlüftung – alle Weinlagerungsmodelle von Sub-Zero wurden so konzipiert, dass der Luftstrom der Mechanik an der Vorderseite des Geräts austritt.



Durch die Installation eines Kabelbaumsatzes erfüllen diese Geräte die Star-K-Auflagen und entsprechen den strengen religiösen Vorschriften im Zusammenhang mit spezifischen Anweisungen, die unter www.star-k.org zu finden sind. Einzelheiten über den Kabelbaumsatz erhalten Sie von Ihrem Sub-Zero-Händler.

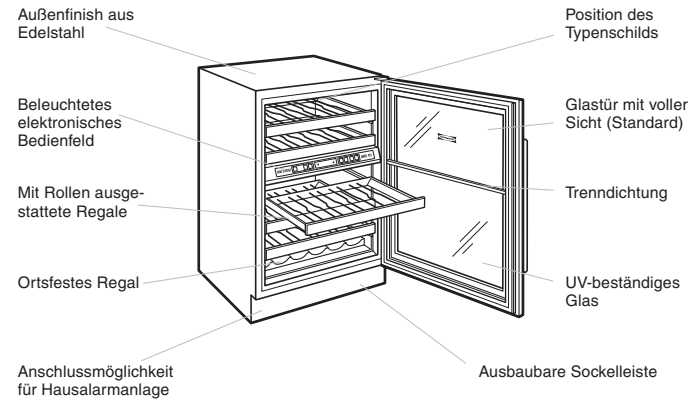
Modell ICB424

UNTERTHEKEN-WEINLAGERUNG



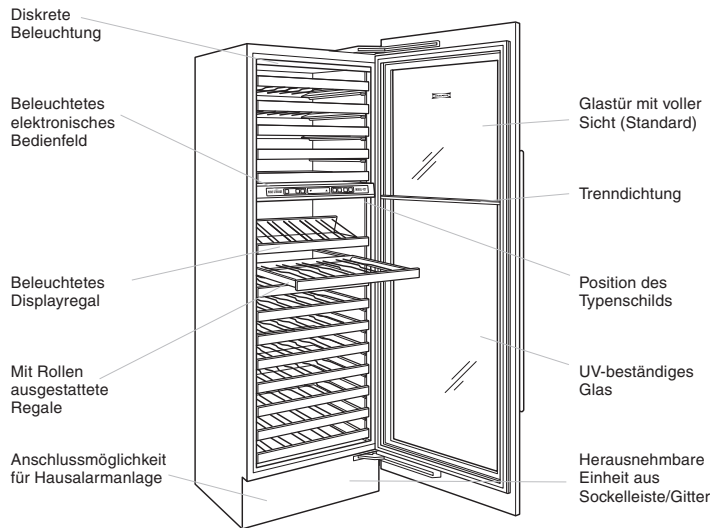
Modell ICB424FS

FREI STEHENDE WEINLAGERUNG



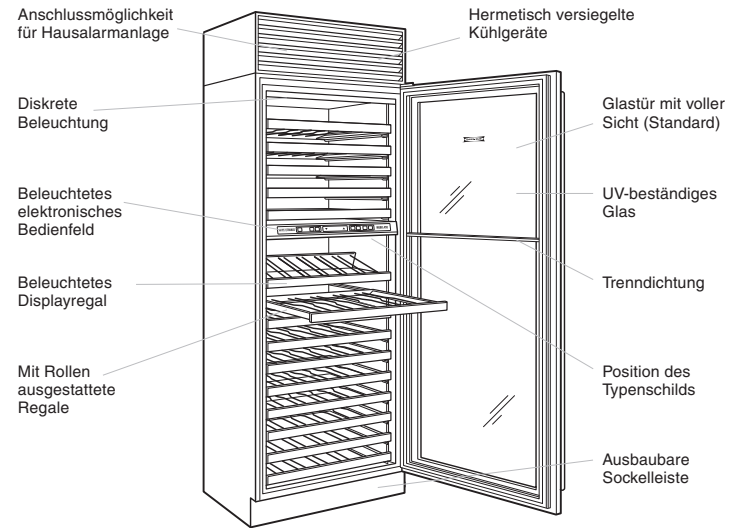
Modell ICB427

NUR WEINLAGERUNG



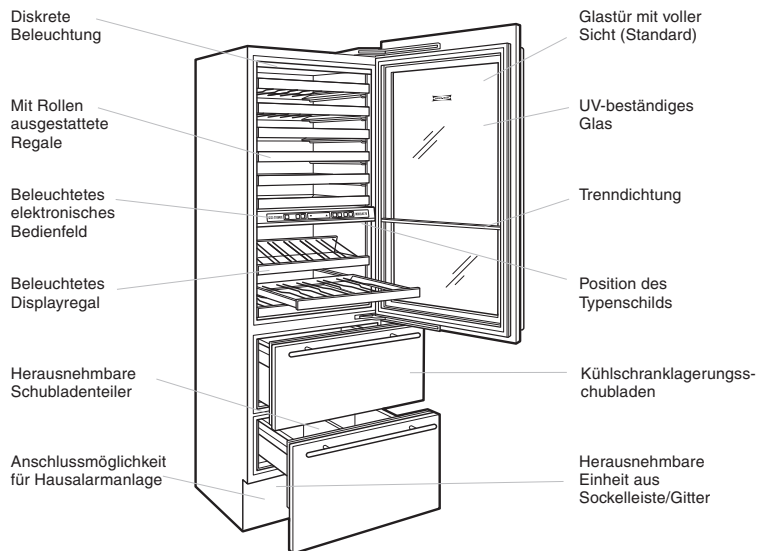
Modell ICBWS-30

NUR WEINLAGERUNG



Modell ICB427R

NUR WEINLAGERUNG



Elektronisches Steuersystem

Das elektronische Steuersystem Ihres Sub-Zero-Weinlagerungsgeräts mit seiner äußerst präzisen Temperaturregelung gibt Ihnen ein beruhigendes Gefühl, denn Sie können sicher sein, dass Ihr Wein bei der von Ihnen gewählten Temperatur gelagert wird, ob es sich um einen noch reifenden Wein handelt oder um einen Tafelwein, der noch am gleichen Abend getrunken werden soll.

Ein Mikroprozessor testet die Temperatur jede Sekunde in jeder Zone, um sicherzustellen, dass die Temperaturen bis zu einem Grad Ihrer voreingestellten Temperaturen präzise bleiben. Außerdem überwacht er den Betrieb des Geräts und meldet, wenn eventuell Servicearbeiten notwendig sind.

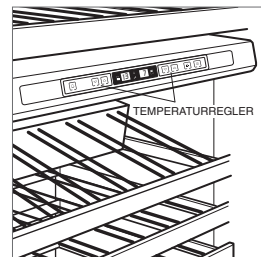
TEMPERATURREGELUNG

Bei allen Weinlagerungsmodellen haben Sie die Möglichkeit, innerhalb der zwei Zonen zwei unterschiedliche Temperaturen Ihres Weinlagerungsgeräts einzustellen. Ihr Modell wurde gründlich getestet und inspiziert, bevor es ab Werk verschickt wurde. Die Temperatur wurde in der oberen Zone auf 7 °C und in der unteren Zone auf 13 °C eingestellt.

Auf dem Bedienfeld befinden sich zwei Sätze mit den Tastenfeldern \triangle und ∇ , eines für jede der zwei separaten Temperaturzonen. Ein Pfeil neben der Temperatur im LED-Display zeigt an, welche Temperatur jeder Zone entspricht. Siehe die Abbildung unten.

Das Tastenfeld ∇ auf dem Bedienfeld ermöglicht durch Drücken des Tastenfelds das Verringern der Temperatur in der entsprechenden Zone jeweils um ein Grad. Denken Sie daran, dass der Temperaturbereich in jeder Zone 3 °C bis 18 °C beträgt und dass Sie zwei unterschiedliche Temperaturen einstellen können eine für jede Zone.

Wie beim Tastenfeld ∇ können Sie die Temperatur in der entsprechenden Zone durch Drücken des Tastenfelds \triangle jeweils um ein Grad erhöhen.



Elektronisches Bedienfeld

LED DISPLAY

Die elektronischen Steuersystemfunktionen wie beispielsweise Digitaltemperatur- und Serviceanzeigen erscheinen im LED-Display auf dem Bedienfeld. Die Temperaturen jeder Zone sind durch die Glastür Ihres Weinlagerungsgeräts sichtbar. Wenn Sie Ihr Gerät häufig verwenden, können die Zahlen fluktuieren.

GERÄT EIN/AUS

Das Tastenfeld ⓪ auf dem Bedienfeld schaltet die Stromversorgung zum Weinlagerungsgerät zur Reinigung oder für Servicearbeiten aus.

LAMPEN EIN/AUS

Bei allen Weinlagerungsgeräten können die Lampen unabhängig vom Öffnen und Schließen der Tür eingeschaltet bleiben. Dadurch haben Sie die Möglichkeit, Ihre Weinkollektion bei besonderen Anlässen zur Schau zu stellen.

Um die Lampen unabhängig vom Öffnen und Schließen der Tür eingeschaltet zu lassen, drücken Sie auf das Tastenfeld ☼ . Wenn die Lampen bei geschlossener Tür ausgeschaltet bleiben sollen, wird das Tastenfeld erneut gedrückt.

⚠ VORSICHT

Sie sollten die Lampen nicht über Nacht oder über extrem lange Zeiträume eingeschaltet lassen. Die Wärme der Lampen führt dazu, dass das Gerät unnötig stark beansprucht wird.

ALARMFUNKTION

Wenn der Mikroprozessor Temperaturschwankungen oder eine defekte Komponente erkennt, ertönt ein hörbarer Piepton, und ein Symbol ⓪ blinkt im LED-Display auf dem Bedienfeld. Wenn das Gerät mit der Hausalarmanlage verbunden ist, wird dieses System alarmiert. Die Alarmfunktion und der hörbare Piepton werden durch Drücken des Tastenfelds ⓪ deaktiviert. Bei deaktiviertem Alarm ist das Symbol ⓪ im LED-Display nicht sichtbar.

SABBATMODUS (STAR-K)

Alle Weinlagerungsgeräte sind mit dem Sabbatmodus ausgestattet. Damit können während bestimmter religiöser Feiertage die Lampen ausgeschaltet bleiben.

Zur Einleitung des Sabbatmodus bei eingeschaltetem Gerät das Tastenfeld ⓪ drücken, damit auf dem LED-Display auf dem Bedienfeld OFF (Aus) sichtbar ist. Ihr Gerät ist ausgeschaltet.

Anschließend das Tastenfeld ⓪ 10 Sekunden lang drücken und gedrückt halten. Dadurch wird das Gerät wieder eingeschaltet, und die Lampen werden deaktiviert. Um die normale Beleuchtung des Geräts wiederherzustellen, das Tastenfeld ⓪ drücken und loslassen.

Wenn Sie Fragen zur Konformität mit Star-K haben, besuchen Sie www.star-k.org.

VISUELLE SERVICEANZEIGE

Das elektronische Steuersystem überwacht sowohl die Temperaturen als auch den Betrieb des Geräts. Wenn es mit der Temperatur oder dem Betrieb ein Problem gibt, erscheint das Symbol ⓪ im LED-Display auf dem Bedienfeld beleuchtet. Bevor Sie den Kundendienst anrufen, prüfen Sie, ob der Kondensatorbereich gereinigt werden muss. Siehe „Reinigung des Kondensators“ auf Seite 60.

Kühlschrankschubladen – Modell ICB427R

TEMPERATURREGELUNG

Beim Modell ICB427R verfügen die Kühlschrankschubladen über einen eigenen Mikroprozessor und ein eigenes Bedienfeld, das sich in der oberen Schublade befindet. Die voreingestellte Temperatur ist ab Werk 3 °C, aber Sie haben die Möglichkeit, die Temperatur innerhalb eines Bereichs von 1 °C bis 7 °C einzustellen. Das LCD-Display auf dem Bedienfeld zeigt die Ist-Temperatur beider Schubladen in Ihrem Gerät an.

Das Tastenfeld ▽ auf dem Bedienfeld ermöglicht durch Drücken des Tastenfelds das Verringern der Temperatur der Schubladen jeweils um ein Grad. Sie können die Temperatur in den Schubladen um jeweils ein Grad erhöhen, indem Sie das Tastenfeld ▲ auf dem Bedienfeld drücken.

ALARMFUNKTION

Bei Modell ICB427R gibt die Alarmfunktion einen hörbaren Piepton ab, wenn eine Schublade versehentlich offen gelassen wurde.

Bei aktiviertem Alarm wird ein Symbol 🔔 im LCD-Display des Bedienfelds beleuchtet. Bei deaktiviertem Alarm ist das Symbol 🔕 nicht sichtbar.

Temperatureinstellungen

Auf jeden Fall können die Temperatureinstellungen nach Wunsch festgelegt werden, und bei dem von Ihnen erworbenen Weinlagerungsmodell können Sie darauf vertrauen, dass diese Temperaturen auch aufrechterhalten werden. Eine Tabelle mit empfohlenen Lagerungs- und Serviertemperaturen befindet sich auf Seite 61.

Während jede Temperaturzone Ihres Weinlagerungsgeräts einen Bereich von 3 °C bis 18 °C aufweist, können Sie die Temperaturen präzise so einstellen, wie Sie es für am besten halten – ob es sich um die Temperatur für Tafelwein handelt oder ob die Bedingungen für eine langfristige Lagerung im Keller repliziert werden sollen.

Weinlagerung

WEINLAGERUNGSREGALE

Alle Weinlagerungsmodelle von Sub-Zero verfügen über mit Rollen ausgestattete Regale, die sich um drei Viertel herausziehen lassen, um einen leichten Zugriff auf alle gelagerten Weine zu gewähren.

WICHTIGER HINWEIS: Bei den Modellen ICB424 und ICB424FS sind mit Ausnahme des unteren ortsfesten Regals alle Regale mit Rollen ausgestattet.

Die Regale verfügen über eine Massivholzverkleidung in Naturkirsche, die durch anderes Holz ersetzt werden kann, das besser zu Ihren Schränken passt. Details über das Austauschen der Holzverkleidung finden Sie in der Designanleitung von Sub-Zero.

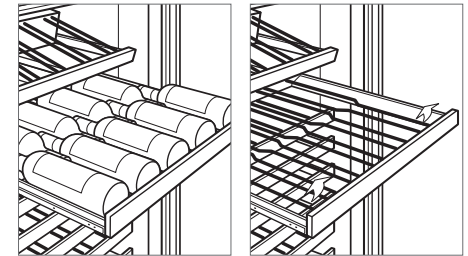
WICHTIGER HINWEIS: Wenn die Holzverkleidung gebeizt oder versiegelt werden soll, sollte Ihnen bewusst sein, dass einige dieser Substanzen gefährlich sind und den gelagerten Wein beschädigen.

Ihr Weinlagerungsgerät dient zur Optimierung der Lagerung von Flaschen in einer idealen Umgebung, in der der Wein bei einer gleichmäßigen Temperatur mit dem Korken in Berührung bleibt. Die richtige Anordnung der Flaschen auf den Regalen entnehmen Sie der Abbildung.

Wenn Sie Demi- oder Magnum-Flaschen lagern, werden diese auf dieselbe Weise wie 750-ml-Flaschen auf den Regalen untergebracht.

▲ VORSICHT

Beim Lagern von Magnum-Flaschen müssen Sie das Regal direkt über dem gewünschten Lagerregal herausnehmen, damit diese größeren Flaschen problemlos in das Gerät gelegt und wieder herausgenommen werden können. Bei Nichtbeachtung dieses Hinweises zerbrechen die Flaschen.



Anordnung bei der Weinlagerung

Herausnehmen des Weinlagerregals

HERAUSNEHMEN DES WEINLAGERUNGSREGALS

Zum Herausnehmens eines Weinlagerungsregals wird das Regal vollständig herausgezogen, vorsichtig und gleichmäßig auf beiden Seiten von vorne angehoben und entfernt. Siehe die Abbildung oben. Beim Einbauen des Regals gehen Sie in umgekehrter Reihenfolge vor.

▲ VORSICHT

Achten Sie darauf, dass alle Flaschen aus dem Weinlagerungsregal entfernt werden, bevor es herausgenommen wird.

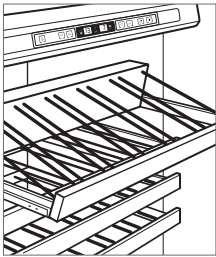
Weinlagerung

DISPLAY-REGAL

Modelle ICB427, ICB427R und ICBWS-30 verfügen über ein Display-Regal, auf dem Sie die preisgekrönten Jahrgänge Ihrer Weinkollektion zur Schau stellen können. Es wird durch eine im Bedienfeld montierte diskrete Beleuchtung angestrahlt. Das Display-Regal ist so konstruiert, dass der Wein immer mit dem Korken in Berührung bleibt. Siehe die Abbildung unten.

WICHTIGER HINWEIS: Das Display-Regal ist so konstruiert, dass nur eine Reihe Flaschen so gelegt wird, dass der untere Teil der Flasche an der Holzschiene ruht und der obere Teil und der Korken der Flasche zur Rückseite des Weinlagerungsgeräts weisen.

WICHTIGER HINWEIS: Bei Modellen ICB424 und ICB424FS ist kein Display-Regal vorhanden.



Display-Regal

HERAUSNEHMEN DES DISPLAY-REGALS

Zum Herausnehmen des Display-Regals wird das Regal vollständig herausgezogen, vorsichtig und gleichmäßig auf beiden Seiten von vorne angehoben und entfernt. Beim Einbauen des Regals gehen Sie in umgekehrter Reihenfolge vor.

⚠ VORSICHT

Achten Sie darauf, dass alle Flaschen aus dem Weinlagerungsregal entfernt werden, bevor es herausgenommen wird.

Kühlschrankschubladen—Modell ICB427R

AUSBAUEN DER SCHUBLADE

WICHTIGER HINWEIS: Bei Modell ICB427R muss zuerst das Steuerkabel abgetrennt werden, bevor die obere Schublade ausgebaut wird. Siehe die Abbildung unten.

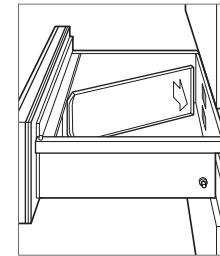
Zum Herausnehmen einer Schublade aus dem Modell ICB427R wird die Schublade bis zum Anschlag nach vorne gezogen. Gleichmäßig an beiden Seiten der Schubladenfront anheben und herausziehen (siehe Abbildung weiter unten).

WICHTIGER HINWEIS: Achten Sie darauf, dass vor dem Herausnehmen der Schublade der Inhalt geleert wird.

Zum Wiedereinführen der Schublade die Vorderseite der Schublade anheben und auf die Gleitschienen setzen. Dabei darauf achten, dass die kleinen Haken am Ende jeder Schiene in die vorderen Löcher der Schubladengleitschiene eingreifen.

⚠ VORSICHT

Vor dem Herausnehmen der oberen Schublade des Modells ICB427R MUSS das Steuerkabel abgetrennt werden.

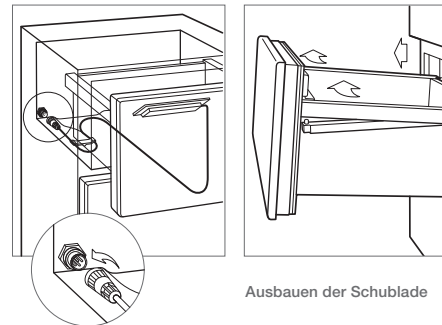


Schubladenteiler

SCHUBLADENTEILER

Jede Schublade des Modells ICB427R hat einen Teiler, der leicht herausgenommen werden kann.

Zum Herausnehmen den Schubladenteiler nach vorne ziehen und die hintere Kante des Teilers von der Rückseite der Schublade weg drehen. Beim Wiedereinbauen des Teilers gehen Sie in umgekehrter Reihenfolge vor. Siehe die Abbildung oben.



Ausbauen der Schublade

Steuerkabel

Bedienung der Tür

SCHLIESSEN DER TÜR

Die Tür Ihres Weinlagerungsgeräts ist mit einem federbelasteten Schließmechanismus ausgestattet. Beim Schließen der Tür greift der Schließmechanismus ein und dichtet die Tür ab.

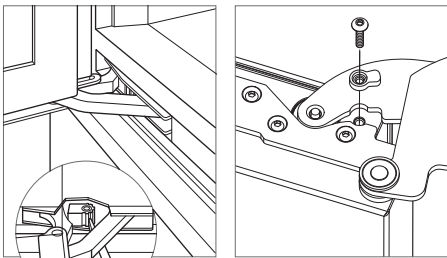
TÜRANSCHLAG VON 90°

Wenn Ihr Weinlagerungsgerät in einer Ecke aufgestellt ist, sollte die Türöffnung auf 90 Grad begrenzt werden.

WICHTIGER HINWEIS: Ein Türanschlag von 90 Grad ist für die Modelle ICB424 und ICB424FS nicht erhältlich.

Bei Modellen ICB427 und ICB427R ist ein 90-Grad-Türanschlag in das Scharniersystem eingebaut. Der Anschlag wird ganz einfach betätigt, indem die Messingnocke im oberen und unteren Scharnier mit einem Flachsraubendreher gedreht wird. Beide Anschläge müssen auf 90 Grad gestellt werden, damit Sie die Tür sicher benutzen können. Mit dem Schraubendreher kann der Türanschlag auf maximal 105 Grad eingestellt werden, indem die Messingnocke bis zum nächsten Anschlag gedreht wird. Siehe die Abbildung unten.

Für Modell ICBWS-30 ist ein Türanschlag von 90° im Lieferumfang des Geräts enthalten und befindet sich hinter dem hochklappbaren Gitter. Siehe die Abbildung unten.



90-Grad-Türanschlag
(Modell ICBWS-30)

90-Grad-Türanschlag
(Modelle ICB427 und ICB427R)

⚠ VORSICHT

Beim Öffnen der Tür bei Modellen ICB427 und ICB427R besteht die Gefahr, sich ernsthaft die Finger zu quetschen. Es muss darauf geachtet werden, dass die Finger bei geöffneter Tür nicht in die Türöffnung auf der Scharnierseite geraten.

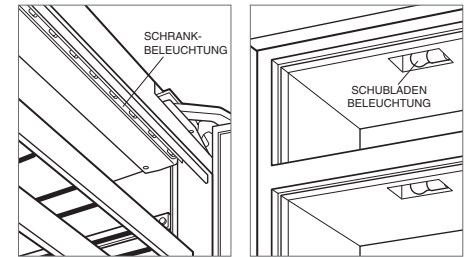
Informationen zur Beleuchtung

SCHRANKBELEUCHTUNG

Bei den Modellen ICB424 und ICB424FS ist der Lichtschlauch an der Oberseite des Schrankes montiert und verläuft kaskadenförmig entlang der gesamten Gerätefront.

Bei Modellen ICB427, ICB427R und ICBWS-30 ist die diskrete Beleuchtung an zwei Stellen angebracht. Ein Lichtschlauch ist oben am Schrank angebracht, und eine zweite Beleuchtung ist im Bedienfeld montiert und beleuchtet das Display-Regal. Siehe die Abbildung.

Diese Lampen haben eine lange Lebensdauer und sollten erst nach längerer Zeit ersetzt werden müssen. Wenn Sie Probleme mit der Schrankbeleuchtung haben oder Ersatz benötigen, wenden Sie sich an Ihren Sub-Zero-Händler.



Schrankbeleuchtung
(Modelle ICB427, ICB427R
und ICBWS-30)

Beleuchtung des
Schubladenfachs
(Modell ICB427R)

⚠ VORSICHT

Den Strom zum Gerät ausschalten, während die Glühbirnen ersetzt werden. Beim Umgang mit Glühbirnen Schutzhandschuhe tragen.

SCHUBLÄDEN-BELEUCHTUNG – MODELL ICB427R

Die Beleuchtung ist im oberen Bereich in jedem Schubladenkühlfach des Modells ICB427R eingelassen. Siehe die Abbildung oben.

Zum Ersetzen einer Glühbirne in einem Schubladenfach muss die Schublade bis zum Anschlag herauszunehmen. Es wird empfohlen, die Schublade ganz herauszunehmen. Das Verfahren zum Herausnehmen der Schublade ist auf Seite 58 beschrieben.

Die 15-Watt-Glühbirne aus der Fassung schrauben und die neue Glühbirne einschrauben.

Reinigung

AUSSENFINISH AUS EDELSTAHL

Klassisches Edelstahlfinish: Zum Reinigen der Außenseite eines Finish im klassischen Edelstahl wird ein weicher, nicht scheuernder Edelstahlreiniger mit einem weichen, zu 100 % fusselreien Tuch aufgetragen.

Unterschiedliche Beleuchtungsarten und Positionen der Lichtquellen können zu Schattierungsvariationen auf den verschiedenen Komponenten und Bereichen von großen Haushaltsgeräten führen.

Einen natürlichen Glanz für den Finish erzielen Sie, indem Sie die Oberfläche mit einem feuchten Mikrofasertuch, dann mit einem trockenen Polierleder leicht abwischen. Stets in Richtung der Maserung der Oberfläche arbeiten. Beste Ergebnisse erzielen Sie, wenn Sie das Tuch beim Abwischen nicht von der Edelstahloberfläche abnehmen.

⚠ VORSICHT

Unter keinen Umständen dürfen metallische oder stark scheuernde Reiniger oder Tücher verwendet werden, da ansonsten das klassische Edelstahlfinish verkratzt wird.

REINIGEN DER GLASTÜR

Die Glastürplatte kann mit einem beliebigen, gängigen Glasreinigungsmittel gereinigt werden.

REINIGUNG DES INNENRAUMS

Zum Reinigen der Innenflächen und herausnehmbaren Teile diese mit einer milden Lösung aus Seife und lauwarmem Wasser mit etwas Natriumbikarbonat abwaschen. Keinen Essig verwenden. Abspülen und gründlich trocknen. Es darf nach Möglichkeit kein Wasser auf die Lampen, das Bedienfeld und die Holzverkleidung auf den Regalen kommen.

Keine scheuernden Reinigungsmittel oder Tücher auf den Innen- und Außenflächen sowie der Glastürplatte verwenden.

⚠ VORSICHT

Vor der Reinigung des Geräts die Stromversorgung zum Gerät am Bedienfeld ausschalten.

REINIGUNG DES KONDENSATORS

Der Kondensator sollte alle drei bis sechs Monate gereinigt werden. Der Reinigungsplan hängt von der Staub- und Fusselmenge ab, die sich in diesem Bereich ansammelt.

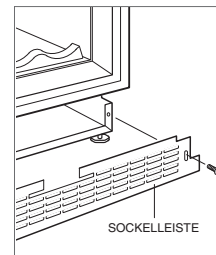
Bei Modellen ICB424 und ICB424FS befindet sich der Kondensator hinter der Sockelleiste. Zuerst wird die Sockelleiste ausgebaut, um den Kondensatorbereich freizulegen. Siehe die Abbildung unten.

Der Kondensator für Modelle ICB427 und ICB427R befindet sich hinter der Einheit aus Sockelleiste/Gitter, mit denen die Einheit aus Sockelleiste/Gitter befestigt ist, ausbauen. Diese Baugruppe lässt sich leicht nach vorne schieben, sodass Sie Zugang zum Kondensatorbereich haben. Siehe die Abbildung unten.

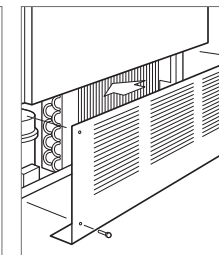
Bei Modell ICBWS-30 befindet sich der Kondensator hinter dem Gitter. Zunächst die untere Kante des Gitters nach vorne ziehen und nach oben kippen. Siehe die Abbildung.

Staub und Fusseln mit einer weichen Bürste und einem Staubsauger vom Kondensatorbereich entfernen.

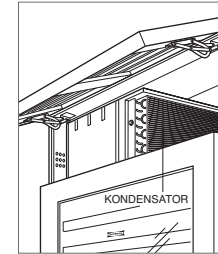
WICHTIGER HINWEIS: Um ein Verbiegen der Kondensatorrippen zu vermeiden, darf nur in Richtung der Rippen gesaugt werden (auf und ab).



Position des Kondensators (Modelle ICB424 und ICB424FS)



Position des Kondensators (Modelle ICB427 und ICB427R)



Position des Kondensators (Modell ICBWS-30)

⚠ VORSICHT

Vor der Reinigung des Kondensators die Stromversorgung zum Gerät am Bedienfeld ausschalten. Wenn Sie den Kondensator reinigen, sollten Sie Handschuhe tragen, um Verletzungen durch die scharfen Kondensatorrippen zu vermeiden.

⚠ VORSICHT

Wenn der Kondensator nicht gereinigt wird, könnte ein Temperaturverlust, ein mechanisches Versagen oder eine Beschädigung die Folge sein.

Lagern und Servieren von Weinen

Für die Lagerung und das Servieren von Weinen gibt es eine richtige Methode. Und es gibt eine falsche Methode. Die Weinlagerungsgeräte von Sub-Zero halten sich auf jeden Fall an die richtige Methode. Weinkenner wissen, dass Wein im Idealfall über einen längeren Zeitraum hinweg in einem Keller gelagert werden sollte, der vibrationsfrei, dunkel und feucht ist und eine gleichbleibende Temperatur von 13 °C aufweist. Aber wem von uns stehen diese Bedingungen zur Verfügung?

Beim Wein geht es darum, wie man am besten Obst konserviert und bei der richtigen Temperatur kühlt, bevor es verdirbt. Schließlich ist Wein in seiner einfachsten Interpretation ein Traubensaft.

Wein muss sorgfältig ausgewählt und behandelt werden. Der Weinliebhaber weiß, die richtige Lagerung gewährleistet, dass der Wein unter den besten Bedingungen serviert wird.

Durch den Kauf Ihres Weinlagerungsgeräts von Sub-Zero haben Sie bewiesen, dass es Ihnen wichtig ist, den Wein in einer optimalen Umgebung aufzubewahren. Wie Sie das Gerät letztlich einsetzen, bleibt Ihnen überlassen.

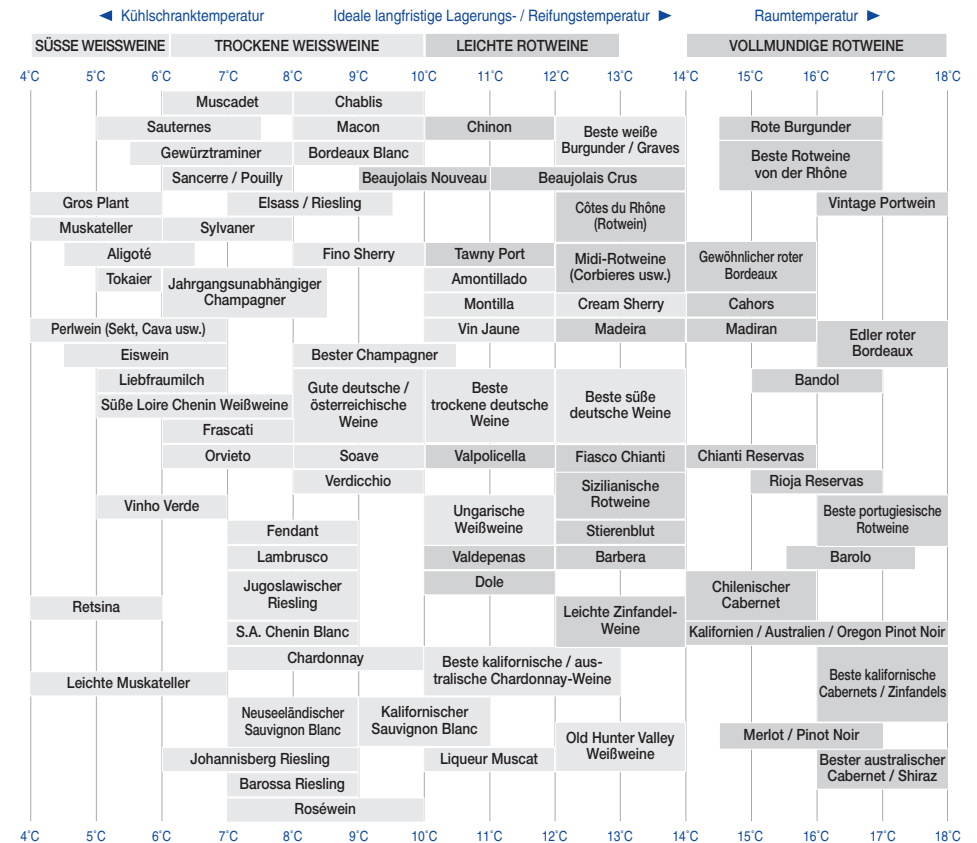
Sie können das gesamte Weinlagerungsgerät für eine langfristige Lagerung verwenden und die Temperatur in beiden Zonen auf 13 °C einstellen – die ideale Temperatur für ein längeres Lagern oder Reifen. Wenn Sie jedoch nur einen kleinen Teil des Geräts dieser Funktion widmen möchten, können Sie die Temperatur in der kleineren Zone auf langfristige Lagerung einstellen und die andere Temperaturzone so anpassen, dass Sie die dort aufbewahrten Weine bald genießen können.

Die Temperatur in dieser Zone kann beliebig gewählt werden. Natürlich gibt es ideale Temperaturen, bei denen Weine serviert werden sollten, aber diese sind sehr subjektiv, da jeder Gaumen auf unterschiedliche Temperaturen anders reagiert.

Die folgende Tabelle enthält einige universal anerkannte Lagerungs- und Serviertemperaturen für die gängigsten Weine von heute.

Genießen Sie den Wein und Ihr Weinlagerungsgerät von Sub-Zero. Und vielen Dank für Ihr Vertrauen in Sub-Zero.

Lagerungs- und Serviertemperaturen

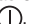


© Octopus Publishing Group Ltd., reproduziert aus Hugh Johnsons „The World Atlas of Wine“, veröffentlicht von Mitchell Beazley, London.

Fehlersuche

Wenn Ihr Weinlagerungsgerät nicht richtig funktioniert, beziehen Sie sich auf die folgende Anleitung zur Fehlersuche, bevor Sie sich an den Sub-Zero-Händler wenden. Diese Anleitung spart Zeit und erspart Ihnen Probleme, sodass ein teurer Besuch eines Kundendienstvertreters eventuell nicht notwendig ist.

Das Weinlagerungsgerät funktioniert nicht.

- Wird dem Gerät Strom zugeführt?
- Ist der Schutzschalter bzw. die Sicherung ausgelöst?
- Ist das Gerät eingeschaltet? Drücken Sie das Tastenfeld .
- Ist der Kondensatorbereich sauber?

Das Weinlagerungsgerät ist wärmer als normal.

- Ist der Regler richtig eingestellt?
- Ist der Kondensatorbereich sauber?
- Waren die Tür oder Schubladen (Modell ICB427R) längere Zeit offen?

Das Weinlagerungsgerät läuft über längere Zeiträume hinweg.

- Ist der Kondensatorbereich sauber?
- An heißen Tagen und bei warmen Raumtemperaturen läuft der Kompressor länger.
- Waren die Tür oder Schubladen (Modell ICB427R) längere Zeit offen?
- Haben Sie vor kurzem eine große Menge Wein aufgefüllt?

Im Gerät bildet sich Kondensation.

- Dies ist bei höherer Luftfeuchtigkeit (im Sommer) und beim häufigen Öffnen der Tür normal.
- Schließen die Türen und Schubladen (Modell ICB427R) richtig und dichten sie richtig ab?

An der Außenseite des Geräts bildet sich Kondensation.

- Während längerer Zeiträume mit hoher Luftfeuchtigkeit kann sich auf den Außenflächen Kondensation bilden. Die Kondensation verschwindet, wenn die Feuchtigkeit abnimmt. Achten Sie darauf, dass die Türen und Schubladen (Modell ICB427R) richtig schließen und abdichten. Wenn sich weiterhin Kondensation bildet, wenden Sie sich an Ihren Sub-Zero-Händler.

Sie benötigen Kundendienst.

- Wenn Serviceleistungen erforderlich sind, halten Sie die in Ihr Sub-Zero-Gerät integrierte Qualität aufrecht, indem Sie sich an Ihren Sub-Zero-Händler wenden.
- Wenn Sie den Kundendienst anrufen, benötigen Sie die Modell- und Seriennummern Ihres Geräts. Die Nummern sind auf dem Produktypenschild aufgeführt. Bei den Modellen ICB424 und ICB424FS befindet sich das Typenschild auf der Unterseite der oberen Wand. Bei Modellen ICB427, ICB427R und ICBWS-30 ist es an der Unterseite der Schaltblende befestigt.

Häufig gestellte Fragen

TEMPERATUR

WICHTIGER HINWEIS: Wenn das Weinlagerungsgerät nicht gewartet wird, sollte der Strom für Ihr Gerät eingeschaltet sein.

F: Wie stelle ich die Temperaturen ein?

A: Zur Einstellung der Temperaturen siehe „Temperaturregelung“ auf Seite 56. Für Modell ICB427R siehe auch Seite 57.

F: Was sind die empfohlenen Temperatureinstellungen?

A: Die Temperatureinstellungen hängen von Ihren persönlichen Vorlieben ab. Jede Temperaturzone Ihres Weinlagerungsgeräts hat zwar einen Bereich von 3 °C bis 18 °C. Sie können die Temperaturen aber nach eigenem Ermessen einstellen. Eine Tabelle mit empfohlenen Lagerungs- und Serviertemperaturen befindet sich auf Seite 59.

F: Auf der Innen- und Außenseite meines Geräts bildet sich Kondensation.

A: In Klimazonen mit höherer Luftfeuchtigkeit bildet sich immer Kondensation. Dies ist ganz normal. Wenn die Tür längere Zeit offen gelassen wird, kann sich ebenfalls auf der Innenseite des Geräts Kondensation bilden.

F: Mein Gerät kühlt nicht richtig.

A: Reinigen Sie den Kondensatorbereich wie auf Seite 60 beschrieben.

GERÄUSCHE

F: Warum höre ich mein Gerät häufig laufen?

A: Es ist normal, wenn man die Ventilatoren und Motoren während des Betriebs hört. Die Geräusche können je nach Platzierung des Geräts und Gesamtdesign etwas verstärkt werden.

Serviceinformationen

Diese Bedienungs- und Pflegeanleitung enthält die Informationen, die Sie benötigen, um Ihren Wein in Ihrem Weinelagerungsgerät von Sub-Zero bei optimaler Qualität aufzubewahren.

Wenn Kundendienstarbeiten erforderlich sind, müssen Sie für den Anruf die Modell- und Seriennummer bereithalten. Die Nummern sind auf dem Produkttypenschild aufgeführt. Bei den Modellen ICB424 und ICB424FS befindet sich das Typenschild auf der Unterseite der oberen Wand. Bei Modellen ICB427, ICB427R und ICBWS-30 ist es an der Unterseite der Schallblende befestigt. Die Position des Typenschildes für Ihr spezifisches Modell finden Sie auf den Seiten 54-55.

Modellnummer: _____

Seriennummer: _____

Datum der Installation: _____

Sub-Zero-Händler: _____

Telefon: _____

SUB-ZERO, INC.
P.O. BOX 44130
MADISON, WI 53744 USA
WWW.SUBZERO.COM

7011931 REV-B 3/2012

