







**WASHING MACHINE
LAVE-LINGE
WASCHVOLLAUTOMAT
LAVADORA
MÁQUINA DE LAVAR ROUPA
WASMACHINE
СТИРАЛЬНАЯ МАШИНА**

 INSTRUCTION MANUAL	EN
 MANUEL D'INSTRUCTIONS	FR
 GEBRAUCHSANLEITUNG	DE
 MANUAL DE INSTRUCCIONES	ES
 MANUAL DE INSTRUÇÕES	PT
 РУКОВОДСТВО ПО ЭКСПЛУАТАЦИИ	RU

Contents

1. Precautions for safety and use	2
2. Installation instructions	5
3. Description of controls	8
4. Using the appliance for washing	9
5. Cleaning and maintenance	15
6. Troubleshooting	17



This appliance is tagged  in accordance with European Directive 2002/96/EC on Waste Electrical and Electronic Equipment - WEEE.

This directive contains the regulations governing the collection and recycling of decommissioned appliances throughout the European Union.

The symbol of the rubbish bin with a line through it on the appliance or its packaging indicates that the product must be disposed of separately from other waste at the end of its life cycle. The user is thus obliged to consign scrapped appliances to the special electronic and electrotechnical waste disposal centres, or return them to the dealer on purchase of a similar new appliance, on a one-to-one basis.

Consignment to the appropriate facility for environmentally responsible recycling, treatment and disposal helps to prevent any negative effects on the environment and health, and encourages the reuse and/or recycling of the appliance's component materials.

Illegal dumping of the appliance by the user will be subject to prosecution under the relevant law.



READ THE INSTRUCTIONS

Attention!

You are advised to read all the instructions in this manual carefully; it will inform you about the right conditions for the proper, safe use of your washing machine. It is very important to keep this instruction manual with the appliance for future reference.

In the event of sale or transfer, ensure that the manual always accompanies the appliance, to provide the necessary information about its use.

1. PRECAUTIONS FOR SAFETY AND USE

Attention!

These precautions are detailed for reasons of safety.

This section must be read carefully before installation and use.

Disposing of packaging

- Never leave packaging residues unattended in the home. Separate waste packaging materials by type and consign them to the nearest recycling centre.
- Packaging materials (plastic bags, polystyrene, etc.) must not be left within reach of children.

Disposing of old appliances

- **Once no longer in use, the appliance must be rendered unusable: permanently disarm the lock on the door (this will prevent children risking their lives by locking themselves inside during play) and cut the power supply lead after removing the plug from the socket. The appliance must be delivered to a recycling facility.**

Environmental protection

- Use the whole of the maximum recommended capacity. Never exceed the maximum permitted load.
- Do not use the prewash function for lightly or normally soiled items.
- Follow the manufacturer's recommendations on detergent usage.
- Use the highest spin speed permitted for the fabric type. Fast spins reduce the drying time and thus energy consumption.

Safety instructions

- This appliance is intended for domestic use and is compliant with Directives 72/23/EEC and 89/336/EEC (including Directives 92/31/EEC and 93/68/EEC) currently in force.
- Read all the instructions in this manual carefully before installation and use.
- Check that the drum assembly has been released before use (see instructions). Failure to release the drum assembly may cause damage to the washing machine and the surrounding furniture or appliances during the spin cycle.
- This Instruction Manual is an integral part of the appliance: it must always be kept intact with the appliance. Installation must be carried out by qualified staff in compliance with the relevant regulations. The appliance is built to provide the following functions: washing and drying of clothes or fabrics stated to be suitable for machine washing by the producer on the relevant label. All other uses are to be considered improper. **The manufacturer declines all liability for uses other than those stated above.**
- The nameplate with the technical data, serial number and mark is in a visible position in the part in view after the door has been opened. **The nameplate must never be removed.**
- **The electrical and plumbing works required to install the appliance must only be carried out by skilled staff.**
- The appliance must be connected to earth in compliance with electrical system safety regulations. **The manufacturer declines all liability for direct or indirect injury or damage deriving from a non-existent or defective earth connection.**
- In the event that the appliance is not connected by means of a plug, an omnipolar circuit-breaker device with contact gap of at least 3 mm must be provided.
- The plug to be connected to the power supply lead and the relative socket must be of the same type and comply with the relevant regulations. Check that the mains voltage and frequency are the

same as the values marked on the nameplate. The use of adapters or junctions is not recommended. Never disconnect the plug by pulling on the power supply lead.

- **The appliance is only disconnected from the electricity supply if the plug has been removed from the socket or the electrical system master switch has been turned off. The power plug must be accessible after the appliance has been installed.**
- The appliance must be installed using new sets of hoses (supplied with the appliance). Old hose sets should not be reused.
- Take care that the appliance is not standing on the power supply cable.
- The washing machine must never be used on vehicles, on board ships or planes, or in environments with hazards, such as explosive or corrosive environments (powders, vapours and gases) or explosive and/or corrosive liquids.
- Do not install the washing machine in places with a risk of frost. Frozen pipes may burst under the pressure.
- Make sure that the drain hose connected to the sink **is securely fastened and cannot move.**
- If it is not fixed in place, the repulsive force of the water might thrust it away from the sink, causing the **risk of flooding.**
- When connecting the hose to a sink **also check that the water drains from it quickly, as otherwise the sink may overflow.**
- Do not overload the appliance.
- Never use detergents which contain solvents or chemicals for washing in the washing machine. **They might damage the appliance and form poisonous vapours. These fumes might also catch fire and explode.**
- Garments soaked in petroleum products must not be washed in the washing machine. Before washing, check that garments do not contain inflammable devices (e.g. cigarette-lighters, matches, etc.)
- If volatile cleaning fluids are used, ensure that these substances have been removed from the garments before they are placed in the appliance.
- Before loading garments for washing, check that the pockets are empty, buttons secure and zips fastened.
- Do not wash frayed or torn garments.
- During washing at high temperatures, the glass in the door will become very hot.
- **Check that all water has been drained from the appliance before opening the door.**
- If there is water inside, pump it out before opening the door. If in doubt, read the instruction manual.
- **The water in the appliance is not suitable for drinking!**
- Swallowing washing machine detergents may injure the mouth and throat.
- Before removing the garments from the washing machine **check that the drum is at a standstill.**
- Switch the appliance off after each use to avoid wasting electricity.
- Leave the door ajar between washes to keep the gasket in good condition.
- In the event of a malfunction **never attempt to repair the appliance yourself.** Disconnect the appliance from the electricity supply and turn off the water tap. Then contact a qualified engineer. **Repairs must only be carried out by qualified staff.**
- **The appliance is intended for use by adults.** Do not allow children to tamper with the washing machine's controls or play with it and **do not keep children in the vicinity while the programme is in progress.**
- Young animals or small children might climb into the washing machine.
- Always check the inside of the drum before use and **do not allow children to play with the appliance.**
- Keep children away from the appliance when the door or the detergent drawer is open; the appliance might contain detergent residues which may cause permanent injury to the eyes, mouth and throat, or even cause death by suffocation.
- The appliance is not intended for use by persons (including children) with reduced physical, sensory or mental capabilities, or lack of experience and knowledge, unless they have been given supervision or instruction concerning use of the appliance by a person responsible for their safety.
- Do not store flammable fluids near the appliance.

Length periods out of use.

- If the appliance is not to be used for a lengthy period it should be disconnected from the electricity and water supplies and the door should be left ajar to prevent unpleasant smells from building up inside.

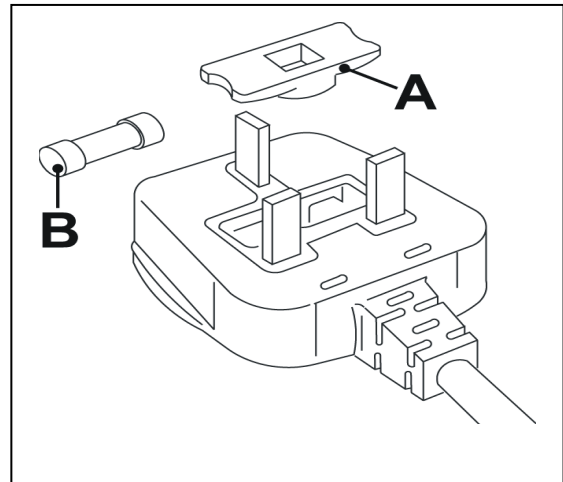
For Great Britain only

Warning: this appliance must be earthed.

Fuse replacement

If the mains lead of this appliance is fitted with a **BS 1363A 13amp** fused plug, to change a fuse in this type of plug use an **A.S.T.A.** approved fuse to **BS 1362** type and proceed as follows:

1. Remove the fuse cover (**A**) and fuse (**B**)
2. Fit replacement 13A fuse into fuse cover
3. Refit both into plug



Important:

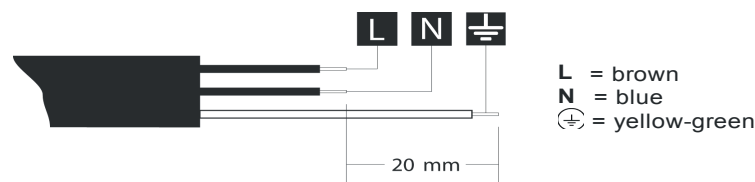
The fuse cover must be refitted when changing a fuse and if the fuse cover is lost the plug must not be used until a correct replacement is fitted.

Correct replacement are identified by the colour insert or the colour embossed in words on the base of the plug.

Replacement fuse covers are available from your local electrical store.

If the appliance is provided with a plugless supply cord:

- It is necessary to install in the fixed wiring an all-pole disconnection device having a gap between contacts of at least 3,5mm. After installation the disconnection device has to be easy to reach.
- The connection to the mains must be carried out by a qualified technician in accordance to the scheme shown below and the regulations in force



- In the event of damage to the supply cord, it has to be replaced by the manufacturer or an authorized technical service center in order to avoid any risk.

Important!

This appliance is easy to use.

However, for the best results it is important to read this manual carefully and follow all the instructions before putting it into operation.

The manual provides the correct instructions for installation, use and maintenance, as well as giving useful advice.

The manufacturer declines all responsibility for injury or damage caused by failure to comply with the above regulations or deriving from tampering with even just one part of the appliance and the use of non-original spare parts.

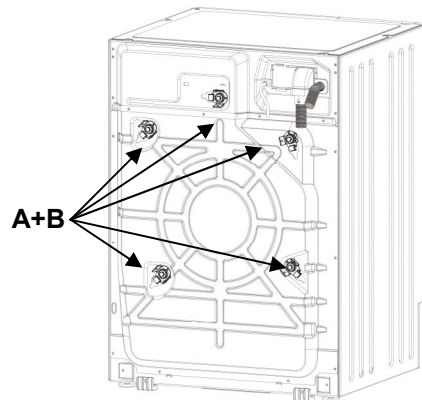
2. INSTALLATION INSTRUCTIONS

Important!

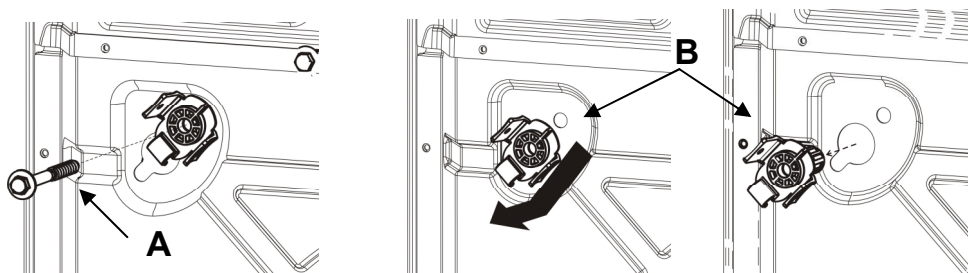
The appliance must be installed by a qualified engineer in compliance with the relevant regulations.
The washing machine is heavy. Take care when lifting it.

2.1 UNPACKING

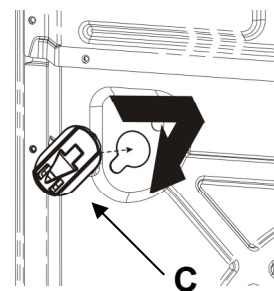
The unit on flexible mounts is fixed in place for transport using the screws (A) on the rear of the washing machine with the relative plastic spacers (B). Once the screws have been removed, the power supply lead can be used.



1. Undo **all** the screws with a 10 mm spanner.
2. Remove **all** the screws (A) from the rear
3. Remove **all** the plastic spacers (B)



4. Fit **all** the plastic plugs (C) provided, to prevent water splashes from getting into the appliance, and contact with live parts.

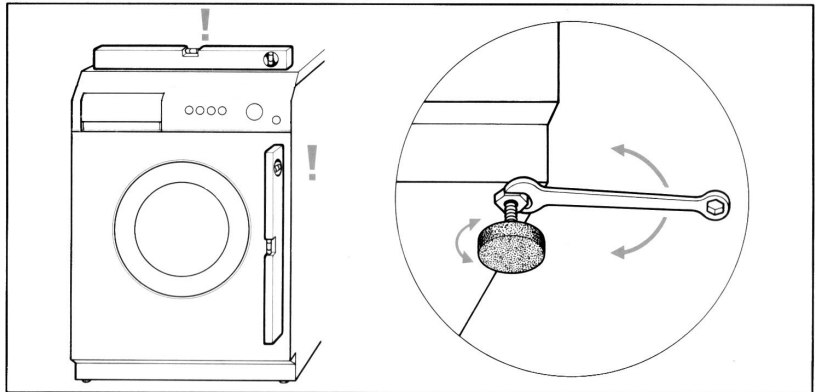


Warning!

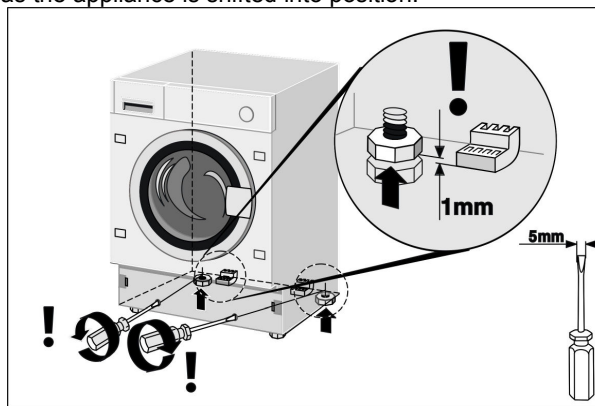
- **Do not** turn the appliance upside-down or place it on its sides.
- All the transport retainer fittings should be kept in a safe place; they must be fitted again if the appliance has to be moved around in the future.

2.2 POSITIONING AND LEVELLING

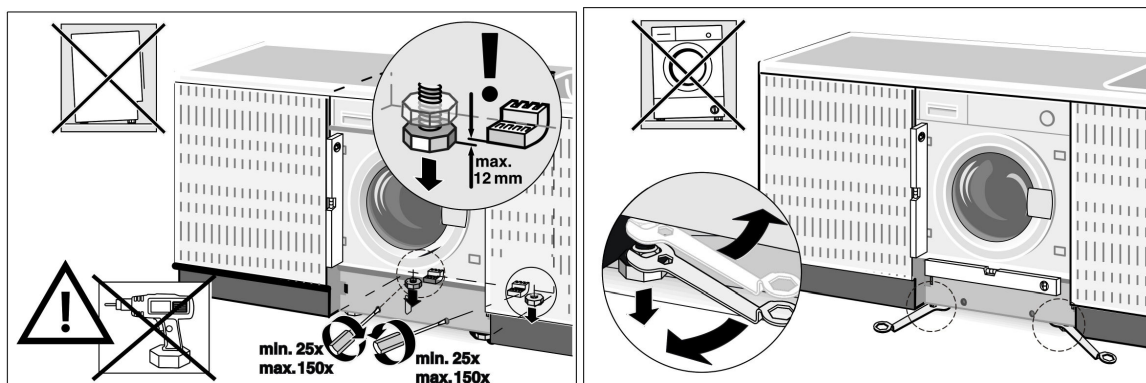
1. Place the appliance in the chosen position.
2. Level the appliance carefully in all directions with the aid of a spirit level, adjusting the height of the feet if necessary. Once done, fix the feet in place with the locknuts provided.



3. On appliances with **adjustable rear feet**, note that the rear of the appliance rests on skids and not on the feet. Before inserting the appliance into its place between the kitchen units, check that the rear feet are screwed fully in to prevent damage as the appliance is shifted into position.



Once the appliance is in position in the kitchen, the height of the rear feet has to be increased so that the appliance no longer stands on the skids. After adjusting the rear feet, level the appliance and fix the front feet at the height required.



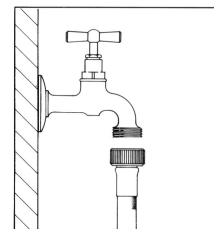
The water intake and drain hoses can be fitted pointing to the left or right for effective installation.

Warning!

- This operation must be carried out with care to prevent the washing machine from vibrating, moving or generating excessive noise during use.
- If the appliance is installed on a carpeted floor, take care to ensure that the openings in the bottom of the washing machine are not obstructed.
- Also check that during operation the washing machine is not resting against walls, kitchen units, etc.
- The appliance must not be installed behind a door with lock, a sliding door, or a door with hinge on the opposite side.

2.3 CONNECTING TO THE WATER SUPPLY

1. Check that the water supply pressure is in the following range: **0,05-0,9MPa**. With higher pressures, use a pressure reducer.
2. Connect the **cold water** supply hose (**blue** screw collar) to the cold water tap with $\frac{3}{4}$ gas threaded connector, taking care to tighten firmly to prevent leaks. The water supply hose must not be kinked or crushed and must not be changed or cut. Threaded connections must only be tightened by hand.
3. When appliances are supplied with **hot water**, the intake water temperature must not exceed 60°C and the hose with **red** screw collar must be connected to the hot water supply tap.

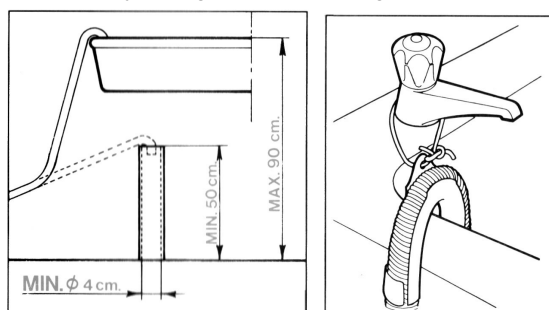


Warning!

- If the connection is made to new pipelines, or lines which have been out of use for a long time, allow a considerable amount of water to flow out before connecting the intake hose. This prevents any sand or other dirt from fouling the filters installed in the appliance to protect the water intake valves.
- The new intake hose supplied with the appliance must be used, and the old water supply hose must not be used.

2.4 CONNECTING TO THE DRAIN

1. Insert the end of the drain hose into a drain pipe having inside diameter of at least 4 cm, at least 50 to 90 cm above floor level, or connect it securely (using the plastic fitting on the elbow in the hose) to a sink or bathtub.



2. In all cases, check that the end of the drain hose is securely fixed to prevent the repulsive force of the water from pushing it out of place.

Warning!

- Avoid kinks or restrictions to ensure effective drainage.
- Any drain hose extensions must be no more than 1 metre long, must be of the same diameter and must be free from restrictions of all kinds.
- The end of the drain hose must never be submerged in water.

2.5 ELECTRICAL CONNECTION

Before connecting the plug to the power socket ensure that:

1. The electrical system voltage is the same as that stated on the nameplate on the front of the appliance, in the zone visible when the door is open. The rated power supply and the fuses required are specified on the nameplate.
2. The meter, safety breakers, power supply line and power socket are rated to withstand the maximum load required, stated on the nameplate.
3. The power supply socket and the plug fitted to the appliance are compatible without the use of reductions, multiple sockets, adapters and extension leads which might cause overheating or scorching. If the power supply socket is not compatible with the plug supplied, replace the socket with one of the appropriate type.

Warning

- The power plug must be accessible after the appliance has been installed.
- **It is absolutely essential to connect the appliance to earth.** Connect the plug to a socket with an earth connection in good working order.

The manufacturer declines all liability for direct or indirect injury or damage deriving from a non-existent or defective earth connection. Correct electrical connection guarantees conditions of maximum safety.

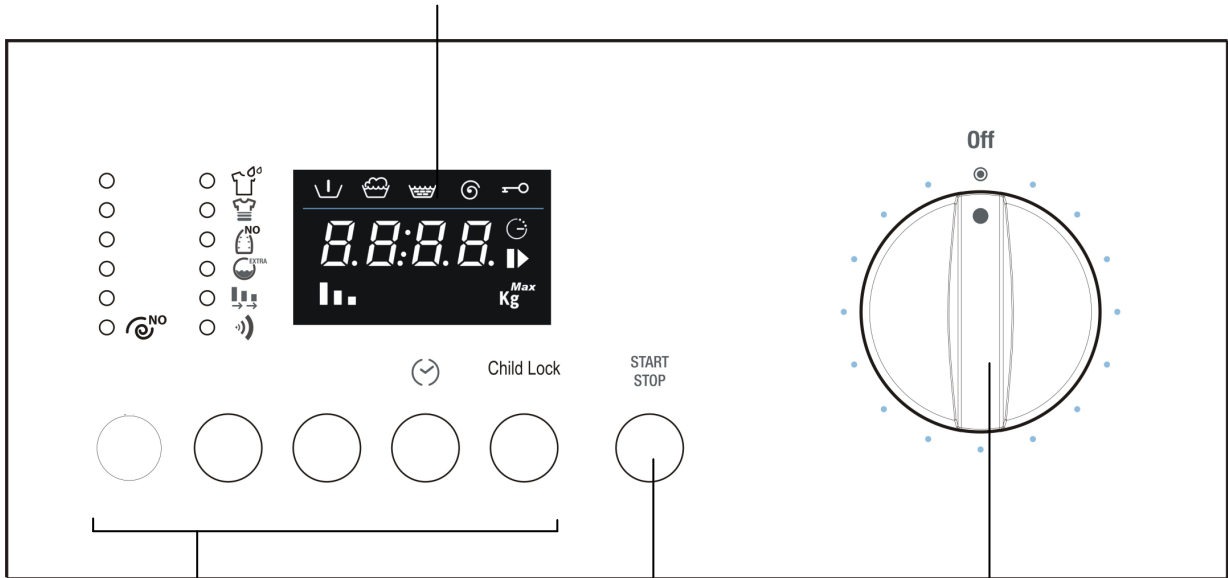
- This appliance is compliant with the requirements of EEC directive 89/336 of 3.5.89 (including the amendment directive 92/31/EEC) concerning the elimination of radio-frequency disturbance.
- If the power supply lead is damaged, it must only be replaced with an original spare, available from the After-Sales Service.
- **Do not connection/disconnect the power supply plug from the socket with wet hands**
- **Only disconnect the power supply plug from the socket by taking hold of the plug itself, never by pulling on the lead.**

3. DESCRIPTION OF CONTROLS

3.1 CONTROL PANEL

All the appliance's control and monitoring devices are placed together on the front panel.

Display: shows the settings (spin speed, cycle status, flexi timer, child lock on/off, maximum recommended weight). The settings can be modified using the buttons underneath.



Buttons (from left to right):
Spin speed selection
Option selection
Confirm option
Delay Timer
Child Lock

Start/Pause button:
 For starting and stopping working cycles.

Programme Selector
 For switching the washing machine on and off and selecting programmes. Can be turned in either direction. Does not turn while programmes are in progress.

4. USING THE APPLIANCE FOR WASHING

4.1 PREPARING THE ITEMS FOR WASHING

1. Subdivide the items for washing by fabric type and colour fastness.
2. Wash white and coloured items separately. New coloured items should be washed separately the first time. Normally, items carry labels with washing instructions. The following is a short description of the symbols used on these labels.

WASHING		BLEACHING			
	Machine wash at max. 90°C	 Bleaching allowed		 Do not bleach	
	Machine wash at max. 60°C				
		IRONING			
	Machine wash at max. 40°C				
	Machine wash at max. 30°C	Hot iron	Warm iron	Cool iron	Do not iron
		DRY CLEANING			
	Machine wash, delicate cycle at max. 60°C	 Any solvent	 Any solvent except trichloroethylene	 Petroleum solvent and R113	
	Machine wash, delicate cycle at max. 40°C				
	Machine wash, delicate cycle at max. 30°C				
		DRYING			
	Hand wash				Do not tumble dry
	Do not wash				

Warning!

- Do not wash unhemmed or torn items as they may fray.
- Unrelated items in the wash may damage the garments or parts of the washing machine. So: empty pockets and turn them inside-out, and remove wheels from curtains or wrap them in a mesh bag.
- Wash very small items (belts, handkerchiefs, socks, padded bras, etc.) in a white canvas bag. Fasten press-studs and zips and sew on loose buttons.
- The use of modern detergents and the correct washing temperature is generally sufficient to remove stains from fabrics. However, some difficult stains such as grass, fruit, egg, blood, rust, ballpoint pen, etc. should be dealt with before washing. **Depending on the type of fabric, there are a large number of commercial stain removers on the market. In all cases, stains should be cleaned or diluted at once, since the older they are, the harder they are to remove.**
- **Failure to comply with washing guidance symbols may result in damage to the items washed.**

Wool – Only wool marked as pure new wool, with the mark, or labelled "shrink-proof, machine-washable" can be washed in a washing machine on the specific programme; other types of wool should be hand-washed or dry-cleaned.

4.2 OPENING THE DOOR

The appliance is fitted with a safety device which prevents the door from being opened while the programme is in progress.

1. **Check that all the water has been drained from the tank and the drum is at a standstill.**

Warning!

- If the washing programme is interrupted, it will be from 3 to 15 minutes before the door can be opened, depending on the temperature reached inside the appliance.

Warning!

The water may still be boiling hot if the wash was at high temperature. Do not open the door if there is still water in the drum!

4.3 LOADS OF WASHING

As far as possible, **to save electricity, it is more economical to wash complete loads of the various types of fabric.** Shake out the washing before loading, and alternate large and small items. It is best to weight the load the first few times, after which you will be able to rely on your experience.

4.4 LOADING THE ITEMS FOR WASHING

1. Open the door and load the washing, distributing it evenly over the drum, with items opened out and not bundled together; if possible, large and small items should be well mixed.
2. The washing machine covered by this manual can be **loaded with up to 7kg** of washing for each wash. If this weight is exceeded, the washing results will be poor and the appliance may malfunction.
3. **To save energy it is more economical to wash full loads** of the various types of fabric, following the guidance on quantities provided in the "Programmes Table" supplied in this manual.
4. Close the door by pressing against the frame until you hear it click shut. Take care not to trap items of washing between the door and the rubber gasket.

Warning!

- If the door is not properly closed, a safety device prevents the washing machine from starting.
- **Do not exceed the maximum load: overloading adversely affects washing results.**

4.5 ADDING DETERGENT AND ADDITIVE

The internal tray comprises three compartments, marked with the symbols



prewash detergent

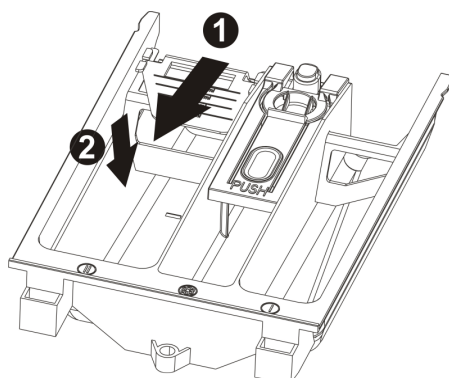


main wash detergent



for fabric conditioner, starch, additives, etc. (e.g. treatment products). The additives are added to the washing tank automatically during the final rinse.

The main wash detergent compartment has a tang allowing the use of liquid detergent. To insert it, pull it towards the front and then lower it.



Following the recommendations in the "Programmes Table" supplied with this manual, place the detergent and any additives in the drawer before the start of the programme.

Never fill with liquids above the maximum level marked; otherwise the trays will empty too quickly.

Before pouring dense additives into the container, dilute with a little water to ensure they do not clog the outlet.

Use only low-foam detergents suitable for use in a washing machine.

The amount of detergent must be decided in relation of the hardness of the water, the type and quantity of items loaded, and their degree of dirt.

This will provide the desired effect with optimal detergent consumption.

tion.

On detergent packs the recommended dose is indicated for 4 levels of water hardness and for loads of 4-5 kg of washing with average dirt levels.

Request information about the water's hardness from your water supply company.

Water hardness

<i>Level of hardness</i>	<i>French degrees fH</i>	<i>German degrees dH</i>
Soft	Up to 15°	Up to 8°
Medium	15° - 25°	8° - 14°
Hard	25° - 40°	14° - 22°
Very hard	More than 40°	More than 22°

4.6 POWDER DETERGENT DOSES

Laundry with normal dirt

1. Choose a programme without prewash.
2. Pour the total amount of detergent shown on the pack into the main wash compartment of the detergent drawer.

Very dirty laundry

1. Choose a programme with prewash.
2. Place ¼ of the recommended amount of detergent in the prewash compartment of the detergent drawer and ¾ of the detergent in the wash compartment.

Warning!

- If no recommended doses are provided, for delicate items in synthetic fibre use from ½ to 2/3 of the recommended dose for washing tough cotton fabrics.
- Only neutral detergents recommended for wool should be used on the wool programme.
- Use the doses recommended by the detergent producer.

4.7 LIQUID DETERGENT DOSES

1. Pour the dose required into the measuring cap supplied with the bottle of liquid detergent and place it in the drum, or use the main wash compartment of the detergent drawer, fitting the insert provided.
2. The scale on the red insert is intended as an aid when deciding the dose of liquid detergent.

Warning!

- Liquid detergents can be used, at the doses recommended by the producer, **only for the main wash, i.e. in all programmes without prewash.**

4.8 DESCALERS


Descalers can be added to the prewash and main wash compartments as recommended by their producers. Place the detergent in the compartments first, followed by the descaler.

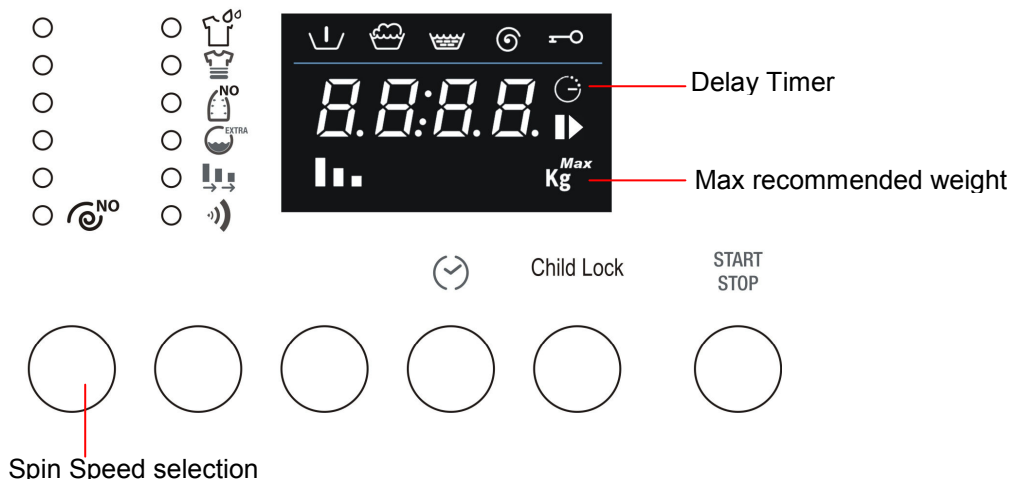
4.9 PROGRAMMES AND FUNCTIONS

For advice on selecting programmes in relation to the type of fabric, refer to the "Programmes Table", supplied with this manual. (Inside the bag of accessories)

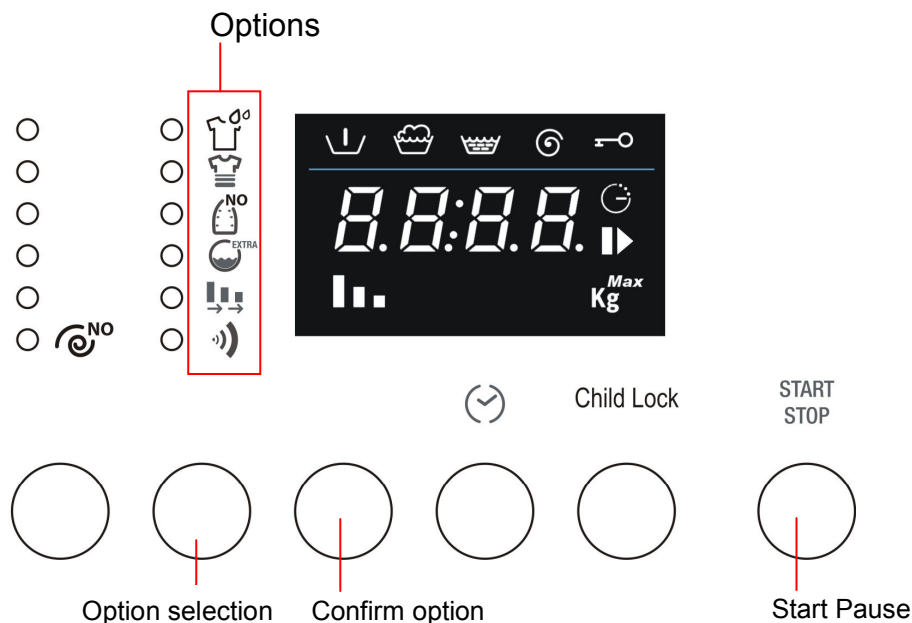
4.10 SWITCHING ON THE APPLIANCE AND SELECTING THE WASHING PROGRAMME

To switch on the appliance and select the programme, proceed as follows:

1. Turn the programmes knob in either direction. This switches on the washing machine.
2. Select the washing programme. The time left to the end of the programme and the maximum recommended weight for the selected programme alternate on the display. The symbols on the display light up to identify the information shown.
3. The default spin speed values are shown. The initial settings can be modified using the button underneath the sequence of spin speeds.
4. If spin speed  is set, there will be no spin cycle and the appliance will stop with the tank full. If this value is set the appliance does not perform the final spin and the washing programme ends with water in the tank.

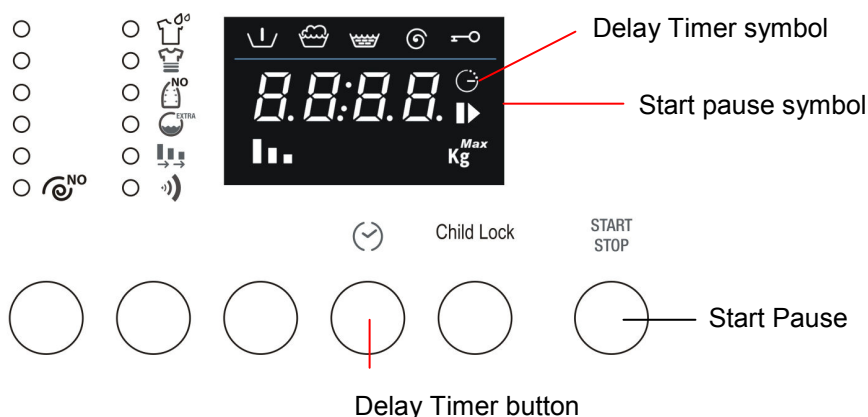


4.11 SELECTING AND CONFIRMING OPTIONS



- The Option Selection button can be used to select the following options in sequence (from the top down):
 - Prewash:** adds a stage before the main wash, lasting about 20 minutes at a temperature of 35°C. Suitable for loads of particularly dirty items.
 - Intensive:** the max. temperature is changed to 60°C and the washing stage is extended to increase the effectiveness of the enzymes in the detergents. Suitable for delicate but dirty items.
 - Easy iron:** produces items which are less creased and easy to iron.
 - Water plus:** Increases the amount of water used for washing and rinses.
 - In alternative **Extra rinse:** this option adds a rinse to the selected washing programme.
 - Flexi Time:** reduces the duration of the cycle. The symbol is completely illuminated with the initial duration of the selected programme. Once the option has been selected the cycle duration can be further reduced to an intermediate setting and a minimum setting and then returned to the initial duration by repeated pressing of the Set button
 - In alternative **Rapid:** reduces the duration of the washing cycle. Suitable for small amounts of laundry with only light dirt.
 - Buzzer:** sets whether or not the buzzer will sound at the end of the cycle. The appliance comes with the buzzer function "on".
- To confirm the selected option, simply press the Confirm options button and the LED of the option remains on.
- To delete an option selection, simply return to the option with the Selection button and press the Confirm options button. To annul all the options previously selected in a single operation, simply hold down the Confirm options button for 4 seconds.
- The Buzzer option retains its "on" or "off" status for subsequent cycles. It is only automatically switched to "off" if the Night Wash programme is chosen.

4.12 TIME REMAINING

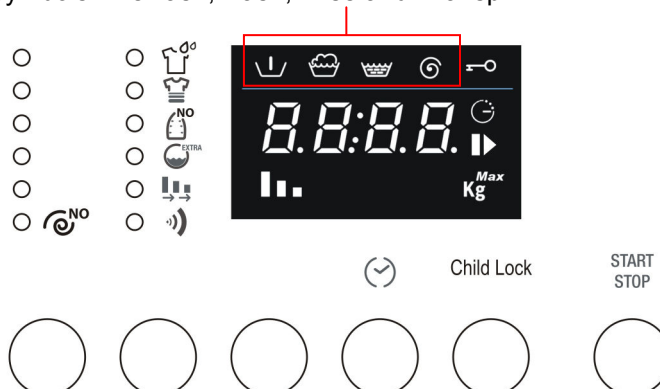


1. The Delay Timer can be pressed repeatedly to select the time after which the washing programme will end. The time left before the end of the cycle calculates the initial duration of the washing cycle, the settings made (temperature, spin speed and options) which may shorten or lengthen the cycle's initial duration, and the delay time the user wishes to add before the cycle starts.
2. After the Delay Timer function has been set, the symbol on the display remains on.
3. To annul the Delay Timer function, keep pressing the button repeatedly until the display shows 0.
4. The Start Pause symbol flashes on and off until the cycle starts. After the cycle starts, the symbol remains constantly lit.

4.13 STARTING THE WASHING PROGRAMME

1. To start the washing programme after making your personal settings, press the Start Pause button.
2. Once the cycle has started, the display shows the time remaining before the end of the cycle and the Start Pause symbol on the display is constantly on.
3. During performance of the washing/drying programme, the symbols which identify the various phases light up:

Cycle phase symbols: Prewash, wash, rinse and final spin.



4.14 INTERRUPTING OR CHANGING THE WASHING PROGRAMME


The washing programme in progress can be interrupted at any moment:

1. Press the "Start/Pause" button for about 3 seconds: the display shows the word PAUS (for 1 second) alternating with the time remaining until the end of the cycle (for 1 second). The Start/Pause light flashes on and off.
Programmes can also be interrupted by turning the programme/temperature setting knob while the cycle is in progress.
2. To change the washing programme, simply turn the programme knob to select the new programme; there is no need to set the appliance in pause status. The new cycle will be carried out completely, beginning from the start. If the tank had already been filled with water during the previous cycle, the water intake phase will be omitted from the new programme.
3. To restart the cycle, press the Start-Pause button again.

4.15 PROGRAMME END

Washing programmes are completed automatically. The word END appears on the display and the "Time remaining" light goes out.

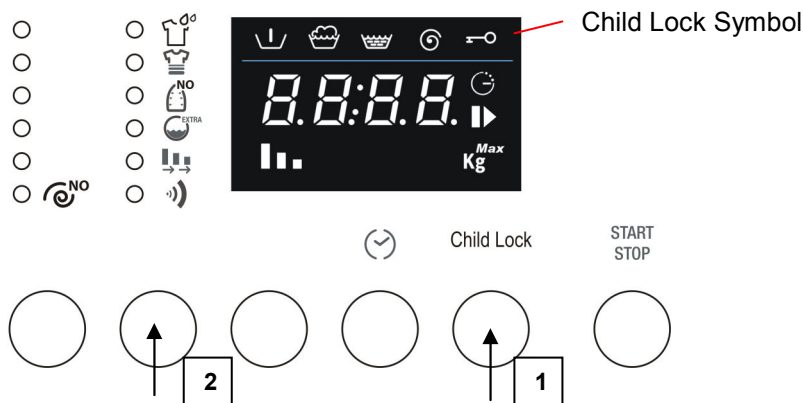
1. **Switch the appliance off by turning the programmes knob to OFF**
2. Unload the laundry from the drum.
3. Leave the door ajar to allow the interior of the washing machine to dry out.
4. **Turn off the water intake tap.**

If during the initial spin speed setting stage, the "no spin" mode with stop with tank full  (spin speed set as 0) was selected, at the end of the washing programme the word STOP appears on the display, alternating with ---- (spin speed of 0) and the spin light is on.

To proceed with the pump-out and spin, press the spin selection button twice. The appliance restarts the cycle with the pump-out and spin. To select the spin speed required, press the button until the chosen speed is displayed. To pump out the water from the tank without performing the spin, press the spin selection button until the display indicates speed of 0: the pump-out will be run without spin.

4.16 CHILD LOCK

1. When this function is activated, the modification of options, temperatures, spin speed and the washing/drying cycle is not possible while the cycle is in progress.

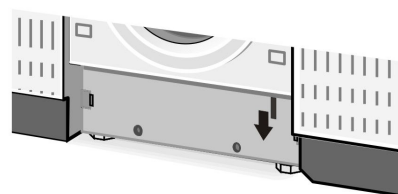


2. To activate the Child Lock Function, press the Child Lock (1) button and hold it down. Also press the Options selection (2) button within 3 seconds.
3. The Child Safety Function symbol lights up to show that the function has been activated.
4. Repeat the same procedure to deactivate the function.

4.17 OPENING THE APPLIANCE IN AN EMERGENCY

In the event of a power failure, the door is opened using the mechanical release device activated by means of the lever in the bottom of the appliance:

- Turn the knob to Off and disconnect the power supply plug from the socket.
- Drain off the water (see point 5.4)
- Pull the lever down and open the door.



Warning, scolding hazard: before opening the door, check that the appliance does not contain boiling hot water and detergent which may pour out and cause injury when the door is opened.

Warning: do not open the door using the emergency release lever while the drum is turning.

5. CLEANING AND MAINTENANCE

Important – Before carrying out any cleaning or maintenance procedure, the plug must be disconnected from the power supply socket.

5.1 CLEANING THE OUTSIDE OF THE APPLIANCE

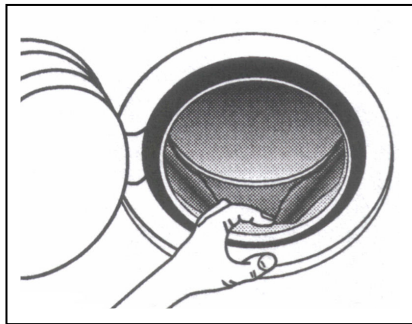
- Regular, thorough cleaning will keep your appliance looking good.
- Clean the exterior of the appliance with soap and water only, then dry thoroughly with a soft cloth.
- The plastic parts should just be wiped with a damp cloth.
- Do not scrape with pointed objects, or use solvents or products containing abrasive substances because they damage the surfaces.
- **For reasons of safety, never spray the washing machine with jets of water.**

5.2 CLEANING THE DRUM

- Remove any rust marks from the drum using a stainless steel cleaner, or very fine sandpaper for particularly stubborn cases.
- For descaling the washing machine use only brand-name descalers which contain an anti-corrosion agent for washing machines.
- Always follow the producer's instructions with regard to use and dosages.
- **After descaling or removing rust from the drum, carry out a few rinse cycles to remove all acid residues which might damage the appliance. Never use cleaners which contain solvents. There is the risk of the formation of vapours which might catch fire and explode.**

5.3 CLEANING THE DOOR GASKET

Check regularly that there are no paper clips, buttons, nails or pins in the folds of the door gasket.



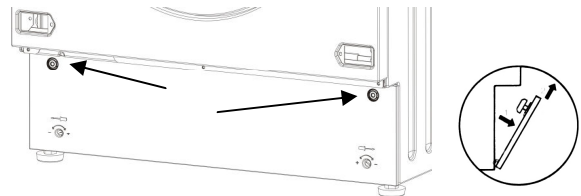
5.4 CLEANING THE DRAIN PUMP

The drain pump only needs cleaning if it has been blocked by buttons, brooches or similar objects and the water is not being pumped out.

In this case, proceed as described below.

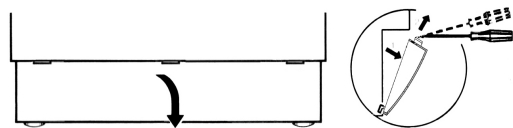
1. Remove the mains plug to disconnect the appliance from the electricity supply.

2. Depending on the model, proceed as follows:
Built-in/totally concealed model – use a small screwdriver as a lever to remove the plugs shown here, turn the plinth downwards and access the pump.



Free-Standing Model – Insert a small screwdriver through the slits in the front of the plinth, then apply upward leverage with the screwdriver to release the top of the plinth from the cabinet.

Tilt the plinth forward slightly and pull it upward to remove it completely.

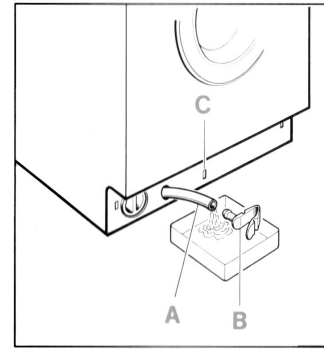


3. Extract the drain hose "A".

Warning: if the hose is hot, the water is hot or boiling hot. Place a shallow container on the floor and remove the plug "B" to drain off the water.

Depending on the amount of water in the appliance, the container may have to be emptied several times.

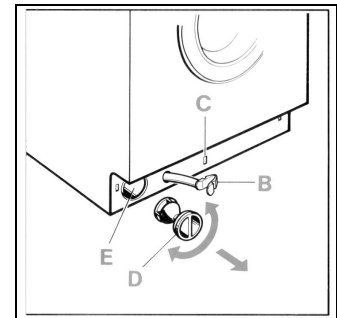
When no more water is coming out, close the hose again by pushing the plug "B" firmly back into place.



4. Unscrew the cover of the pump "D" by turning it to the left.

Clean the pump and remove any foreign bodies.

Also check the inside "E", making sure that the impeller turns freely; any foreign bodies stuck in it must be removed.



5. Screw the cover back on the pump.

Secure the drain house by snapping the plug back into place "C".

Depending on the model, replace the plinth as follows:

Built-in/completely concealed model - Fit the bottom of the plinth first. Push it towards the cabinet and put the plugs back into place.

Free-standing model – Fit the bottom of the plinth first and then push it towards the cabinet until it snaps into place.

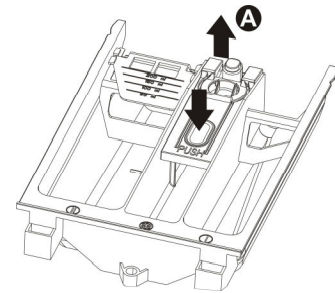
5.5 CLEANING THE DETERGENT DRAWER

The detergent drawer should be kept clean, removing all solid deposits.

To simplify this operation, completely remove the detergent drawer (pull the drawer fully out, press in the zone marked PUSH and then remove completely).

Remove the siphon "A" and clean all parts with hot water.

Fully re-insert the siphon and remove any detergent deposits before putting the drawer back in position.



5.6 CLEANING THE WATER INTAKE FILTERS

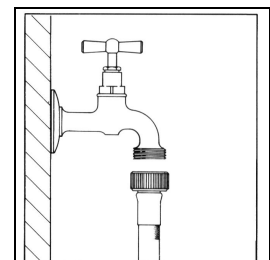
The machine is fitted with a filter which protects the water intake valves.

The filter is in the fitting on the intake hose which is connected to the tap

The filter must be cleaned if the washing machine is not taking in water or the amount of water is insufficient.

To clean, proceed as follows:

- **Remove the mains plug to disconnect the appliance from the electricity supply.**
- Turn off the water tap.
- Unscrew the intake hose fitting from the tap.
- Unscrew the intake hose fitting from the tap.
- Clean the filter with water, with the aid of a small brush.
- When screwing the intake hose fitting back into place, check that the filter is positioned correctly.



6. TROUBLESHOOTING

This produce complies with the relevant regulations governing the safety of electrical equipment. For safety reasons, any technical inspections or repairs must be performed by qualified staff, to prevent all hazards for the user.





If the appliance does not work, before calling the After-Sales Service, to avoid unnecessary expense, check yourself that the operations listed in this [troubleshooting table](#) have been carried out..

- | | |
|---|--|
| 1 Appliance does not start | Check that: <ul style="list-style-type: none"> - plug is properly connected to socket - door is securely closed - "Start/Pause" button has been pressed. |
| 2 No water filling | Check that: <ul style="list-style-type: none"> - plug is properly connected to socket - door is securely closed - water tap is turned on - water intake hose filters not fouled. - water intake hose not trapped or kinked. |
| 3 No water visible in washing drum | No malfunction.
The water level is below the level of the glass in the door because new appliances use very little water to achieve the same washing and rinsing results. |
| 4 Water not pumped out | Check that: <ul style="list-style-type: none"> - drain hose is not kinked - drain pump not fouled. |
| 5 Water not pumped out after last rinse in delicate fabrics and wool wash programmes | It is not a malfunction: pause programmed into washing programme to prevent creasing of fabrics.
To pump out water, proceed as described in "Programme End" point. |
| 6 Water takes in and pumps out water continually | Check that end of drain hose is not too low down. |
| 7 Strong vibrations during spins | Check that: <ul style="list-style-type: none"> - Appliance is properly levelled - washing machine not too close to walls or kitchen units - internal unit on flexible mounts locked in position. |
| 8 Too much foam formed in tank and flowing out of drawer | Check that: <ul style="list-style-type: none"> - detergent used is recommended for automatic washing machines and not for hand washing - quantity used is as stated in manual and no more |
| 9 Water on floor | Check that: <ul style="list-style-type: none"> - water intake hose fittings not loose - end of drain hose still correctly positioned. |
| 10 Not all fabric conditioner used or too much water left in compartment | Check that detergent drawer siphons are correctly fitted and not fouled. |

- 11 Appliance does not spin** Anti-imbalance safety device tripped because laundry not evenly distributed in drum. If laundry is still wet at end of cycle, rearrange it in the drum by hand and repeat spin programme only.
- 12 Emptying water from drum** In the event of a power blackout or appliance failure, the water can be removed from the drum using the emergency procedure.
- 13 Laundry not properly spun** Large items screwed up and not evenly distributed within drum. Always wash a mix of large and small items.
- 14 Traces of detergent on laundry** Many phosphate-free detergents contain substances with low water solubility.
Select Rinse programme or brush the laundry.
- 15 Washing results unsatisfactory** - Probably too little detergent or unsuitable detergent used
- Difficult stains not dealt with before washing
- Correct temperature not set
- Basket overloaded.

ERROR DISPLAY


In case of a malfunction, the appliance will identify the problem by showing an error code on the display.

<i>Error code</i>	<i>Key to problem</i>
	Door not properly closed. Try reclosing.
	Aqua stop device tripped. Cut off power supply, turn off water tap and contact nearest service centre.
	Water not taken in for washing. See point 2 in troubleshooting table.
	Water not pumped out. See point 4 in troubleshooting table.

For all the other error codes displayed, cut off the electricity supply, turn off the water tap and contact your nearest Service Centre.

Sommaire

1. Avertissements pour la sécurité et l'utilisation	2
2. Instructions pour l'installation	5
3. Description des commandes	8
4. Utilisation de la machine pour le lavage	9
5. Nettoyage et entretien	16
6. Anomalies et dysfonctionnement	18

Le marquage CE est apposé sur cet appareil  conformément à la directive européenne 2002/96/CE relative aux déchets d'équipements électriques et électroniques (Waste Electrical and Electronic Equipment - WEEE).

Cette directive définit les normes pour la collecte et le recyclage de ces appareils valables sur tout le territoire de l'Union Européenne.

Le symbole de la poubelle barrée reportée sur les appareils ou sur l'emballage indique que le produit, à la fin de sa vie utile, doit être collecté séparément. Par conséquent, l'utilisateur devra remettre l'appareil arrivé en fin de vie aux centres de collecte différenciée des déchets électroniques et électrotechniques, ou le donner au revendeur au moment de l'achat d'un appareil équivalent, sur une base de un pour un.

La collecte sélective pour le passage suivant de l'appareil usagé au recyclage, au traitement et à la destruction écologiquement compatible contribue à éviter des effets négatifs possibles sur l'environnement et sur la santé et favorise la réutilisation et/ou le recyclage des matériaux qui composent l'appareil.

L'élimination abusive du produit par l'utilisateur entraîne l'application de sanctions administratives conformément à la loi.



LIRE ATTENTIVEMENT LES INSTRUCTIONS !

Avertissement !

Nous vous conseillons de lire attentivement toutes les instructions de ce manuel pour connaître les conditions les plus appropriées pour une utilisation correcte et sûre de l'appareil.

Il est très important que ce manuel d'instructions soit conservé avec l'appareil pour pouvoir le consulter à tout moment.

En cas de vente ou de déménagement, s'assurer que le manuel accompagne toujours l'appareil, pour permettre de s'informer sur son mode de fonctionnement.

1. AVERTISSEMENTS POUR LA SÉCURITÉ ET L'UTILISATION

Avertissement !

Ces avertissements sont fournis pour des raisons de sécurité.

Les lire avec beaucoup d'attention avant l'installation et l'utilisation.

Élimination de l'emballage

- Ne jamais laisser les résidus de l'emballage abandonnés dans le milieu domestique. Séparer les différents matériaux de rebut provenant de l'emballage et les remettre au centre de ramassage des déchets différenciés le plus proche.
- Les matériaux qui composent l'emballage (sachets en plastique, polystyrène, etc.) ne doivent pas être laissés à la portée des enfants.

Élimination de l'appareil qui n'est plus utilisé

- **L'appareil usagé doit être rendu inutilisable : il faut rendre inutilisable la vieille fermeture du hublot (on évitera ainsi que les enfants, en jouant, puissent s'enfermer dedans et être en danger de mort) et couper le cordon d'alimentation électrique après avoir débranché l'appareil.**

L'appareil devra ensuite être remis à un centre de ramassage des déchets différenciés.

Protection de l'environnement

- Exploiter à 100% la capacité maximale conseillée. Ne pas dépasser la charge maximale consentie.
- Ne pas utiliser la fonction prélavage pour une petite quantité de linge ou du linge normalement sale.
- Doser le détergent selon les recommandations du fabricant
- Sélectionner la vitesse maximum d'essorage selon le type de linge. Lesessoreuses à grande vitesse réduisent le temps de séchage et la consommation d'énergie.

Instructions sur la sécurité

- Cet appareil est prévu pour un usage domestique, et est conforme aux Directives 72/23/CEE, 89/336/CEE (y compris les Directives 92/31/CEE et 93/68/CEE), actuellement en vigueur.
- Avant son installation et son utilisation, lire attentivement toutes les indications données dans ce manuel.
- Avant utilisation, s'assurer que le groupe cuve ait été débloqué (voir instructions). Si le groupe cuve n'a pas été débloqué, pendant l'essorage le lave-linge, les meubles ou les appareils proches pourraient être endommagés.
- Ce manuel fait partie intégrante de l'appareil : il faut toujours le conserver en parfait état avec l'appareil. L'installation devra être effectuée par du personnel qualifié et conformément aux normes en vigueur. L'appareil a été conçu pour les fonctions suivantes : lavage de linge ou de tissus déclarés appropriés par le fabricant au traitement en machine sur la plaquette d'identification. Toute autre utilisation doit être considérée impropre. **Le fabricant décline toute responsabilité pour des utilisations différentes de celles indiquées.**
- La plaquette d'identification, avec les données techniques, le numéro de série et le marquage est visiblement positionnée dans la partie que l'on voit après l'ouverture du hublot. **La plaquette d'identification ne doit jamais être enlevée.**
- **Les travaux électriques et hydrauliques pour l'installation de l'appareil doivent être exécutés par du personnel qualifié.**

- La mise à la terre est obligatoire selon les modalités prévues par les normes de sécurité des installations électriques. **Le fabricant décline toute responsabilité pour d'éventuels dommages matériels ou corporels, dérivant du branchement manqué ou défectueux de la ligne de terre.**
- Si l'appareil n'est pas branché par l'intermédiaire d'une fiche, il faut prévoir un dispositif d'interruption omnipolaire avec distance d'ouverture des contacts d'au moins 3mm.
- La fiche à raccorder au câble d'alimentation et la prise devront être du même type et conformes aux normes en vigueur. Vérifier que les valeurs de tension et de fréquence de réseau correspondent à celles reportées sur la plaquette d'identification. Éviter les adaptateurs ou les dérivateurs. Ne jamais ôter la fiche en tirant le câble.
- **L'appareil est débranché uniquement si la fiche est extraite de la prise ou si l'interrupteur général de l'installation électrique a été désactivé. La fiche devra être accessible après l'installation.**
- L'appareil doit être installé en utilisant des jeux de flexibles neufs (fournis en équipement à l'appareil). Les vieux flexibles ne devraient pas être réutilisés.
- Faire attention que l'appareil ne pose pas sur le câble d'alimentation électrique.
- Le lave-linge ne doit absolument pas être utilisé sur les véhicules, à bord de navires ou d'avions, ou dans des pièces qui présentent des conditions particulières comme, par exemple, des atmosphères explosives ou corrosives (poussières, vapeurs et gaz) ou des liquides explosifs et/ou corrosifs.
- Ne pas placer le lave-linge dans des lieux exposés au gel. Les tuyaux gelés peuvent exploser sous pression.
- S'assurer que le tuyau de vidange, accroché à l'évier, **soit solidement bloqué et ne puisse pas bouger.**
- S'il n'est pas bloqué, la force répulsive de l'eau pourrait le faire glisser de l'évier avec le **risque d'inondation.**
- Si l'on accroche le tuyau à un évier **contrôler que l'eau s'écoule rapidement de l'évier pour éviter un débordement.**
- Ne pas mettre trop de linge dans la machine.
- En aucun cas il ne faut utiliser pour le lave-linge des détergents contenant des solvants ou des produits chimiques, pour le lavage. **Ils pourraient endommager l'appareil et former des vapeurs toxiques. Par ailleurs, celles-ci pourraient s'incendier et exploser.**
- Des vêtements imprégnés de produits pétroliers ne doivent pas être lavés dans la machine. Avant le lavage, vérifier qu'il n'y ait pas d'appareils inflammables dans les vêtements (exemple : briquets, allumettes, etc.)
- Si l'on utilise pour le nettoyage des fluides volatiles, s'assurer que les substances aient été enlevées du vêtement avant de l'introduire dans la machine.
- Avant d'introduire les vêtements à laver, s'assurer que les poches soient vides, les boutons bien fixés et les fermetures éclair fermées.
- Éviter de laver des vêtements effilochés ou arrachés.
- Le lavage à des températures élevées provoque la surchauffe du verre du hublot.
- **Avant d'ouvrir le hublot, contrôler si l'eau est complètement évacuée.**
- S'il y a encore de l'eau, n'ouvrir le hublot que si celle-ci est complètement évacuée. Dans le doute, lire le manuel d'instructions.
- **L'eau de la machine n'est pas potable !**
- Avaler des détergents pour lave-linge peut provoquer des lésions dans la bouche et la gorge.
- Avant de sortir le linge du lave-linge **s'assurer de l'arrêt du tambour.**
- À la fin de chaque utilisation, éteindre l'appareil pour éviter de la dispersion d'énergie électrique.
- Laisser le hublot entrouvert entre deux lavages afin de maintenir le joint dans de bonnes conditions.
- En cas de fonctionnement anormal **ne jamais essayer de réparer l'appareil soi-même.** Débrancher l'appareil du réseau électrique et fermer le robinet de l'eau. Puis se mettre en contact avec un technicien qualifié. **Les réparations ne peuvent être effectuées que par un professionnel qualifié.**
- **L'appareil ne peut être utilisé que par des adultes.** Ne jamais laisser les enfants toucher aux commandes ou jouer avec le lave-linge et **les éloigner de la machine pendant le déroulement du programme.**
- Les petits animaux ou les petits enfants pourraient s'introduire à l'intérieur du lave-linge.
- Il faut toujours contrôler l'intérieur de la cuve avant de charger la machine et **éviter que les enfants jouent avec l'appareil.**

-
- Les enfants ne doivent pas s'approcher de la machine lorsque le hublot est ouvert ou le bac à détergent est ouvert ; d'éventuels résidus de détergent pourraient causer des dommages irréparables aux yeux, à la bouche et à la gorge et même provoquer la mort par étouffement.
 - L'appareil ne doit pas être utilisé par des personnes (y compris des enfants) avec des capacités mentales, sensorielles ou physiques réduites, ou qui n'ont pas une expérience et une connaissance nécessaires, sauf sous la supervision d'un personnel, responsable de leur sécurité ou si ce personnel leur a fourni les instructions sur l'utilisation de l'appareil.
 - Ne pas stocker de liquides inflammables près de l'appareil.

Période d'inactivité prolongée.

- Si la machine est inutilisée pendant un temps assez long, il est conseillé de débrancher les raccordements électriques et hydrauliques et de laisser le hublot entrouvert pour éviter la stagnation de mauvaises odeurs.

Important !

L'utilisation de cet appareil est facile.

Toutefois, pour obtenir les meilleurs résultats, il est important de lire très attentivement ce manuel et suivre toutes les instructions avant de mettre en marche l'appareil.

Le manuel fournit les indications correctes sur l'installation, l'utilisation et l'entretien et donne aussi des conseils utiles.

Le fabricant décline toute responsabilité pour tous dommages subis par des personnes ou des choses, causés par l'inobservation des prescriptions susmentionnées ou dérivant de la modification, même d'une seule partie de l'appareil, et de l'utilisation de pièces de rechange qui ne sont pas d'origine.

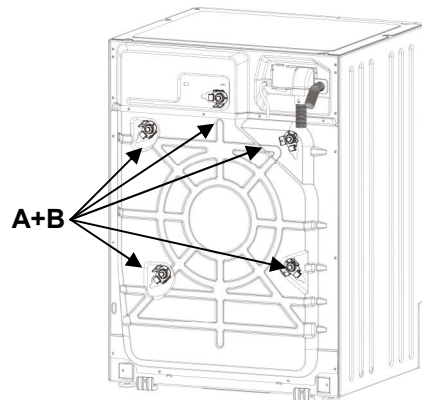
2. INSTRUCTIONS POUR L'INSTALLATION

Important !

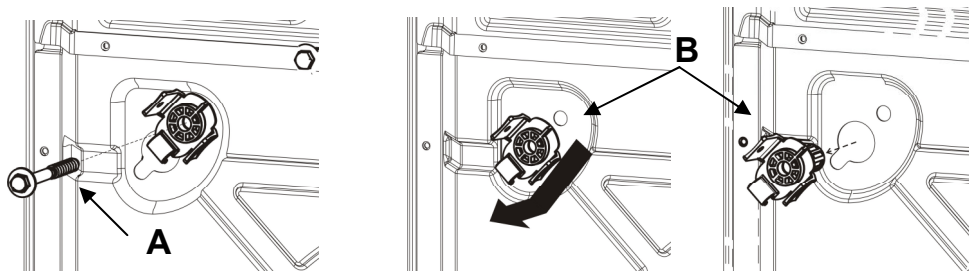
L'appareil devra être installé par un technicien spécialisé et conformément aux normes en vigueur.
Le lave-linge a un poids très élevé. Il faut faire très attention en le soulevant.

2.1 DÉBALLAGE

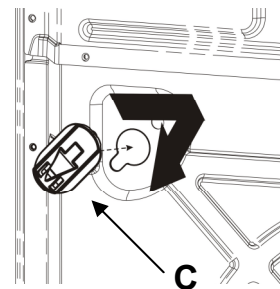
Le groupe oscillant est bloqué pour le transport par les vis (A) placées derrière le lave-linge et par les cales en plastique (B). Le démontage des vis permet d'utiliser le câble d'alimentation électrique.



1. Dévisser **toutes** les vis avec la clé de 10 mm.
2. Enlever **toutes** les vis (A) derrière la machine
3. Enlever **toutes** les cales en plastique (B)



4. Monter **tous** les bouchons en plastique fournis (C), pour éviter que des projections d'eau pénètrent à l'intérieur de la machine, ou le contact avec des pièces sous tension.

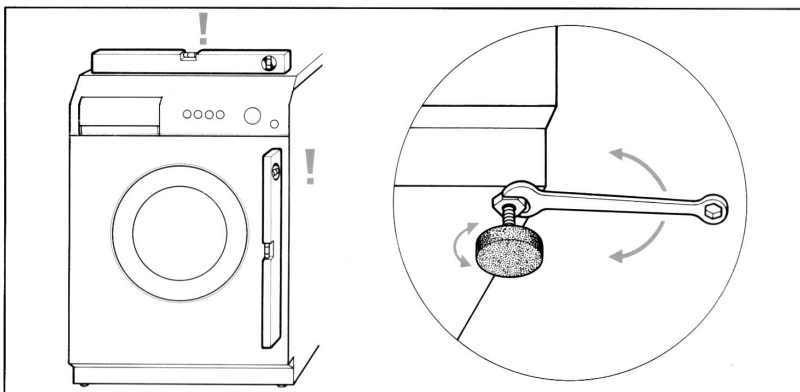


Attention !

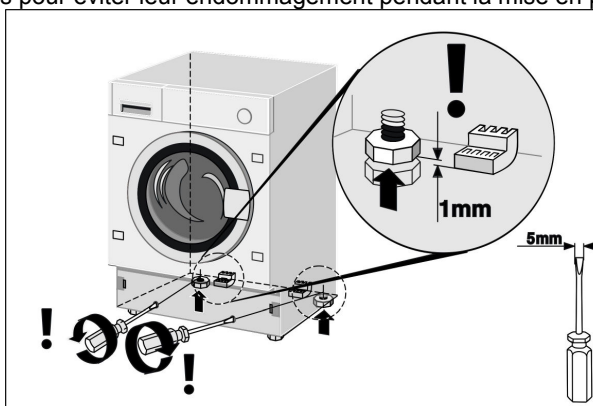
- **Ne pas** retourner la machine et ne pas la coucher sur ses flancs.
- Il est conseillé de conserver toutes les protections qui devront être remontées en cas de transport de l'appareil.

2.2 POSITIONNEMENT ET MISE DE NIVEAU

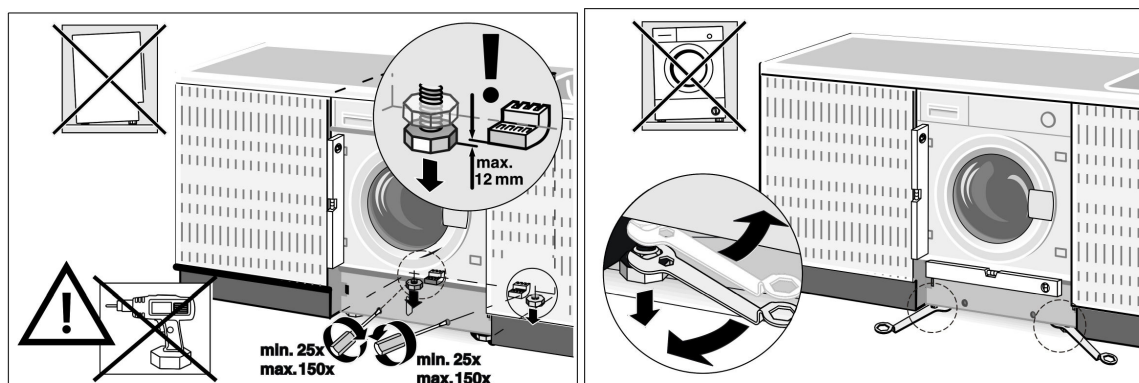
1. Placer l'appareil à l'endroit choisi.
2. Nivelier l'appareil au sol dans toutes les directions avec le niveau à bulle et régler, si nécessaire, la hauteur des pieds. Après réglage, bloquer les pieds avec les contre-écrous appropriés.



3. En présence des **pieds réglables arrière** , faire attention que, dans la partie arrière, l'appareil ne pose pas sur les pieds mais sur les patins prévus. Vérifier, avant d'encaster l'appareil dans la cuisine, que les pieds arrière soient complètement vissés pour éviter leur endommagement pendant la mise en place.



Après avoir encastré l'appareil dans la cuisine, lever les pieds arrière pour éviter que l'appareil pose sur les patins. Après avoir levé les pieds arrière, mettre l'appareil de niveau et fixer les pieds avant.



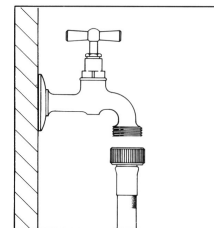
Les tuyaux pour l'arrivée et l'évacuation de l'eau peuvent être orientés vers la droite ou vers la gauche pour permettre une bonne installation.

Attention !

- Exécuter cette opération avec le plus grand soin pour éviter des vibrations bruyantes ou des déplacements du lave-linge en cours de fonctionnement.
- Si l'appareil est posé sur un sol recouvert de moquette, veiller à ce que les ouvertures dans la partie inférieure du lave-linge ne soient pas bouchées.
- S'assurer aussi que pendant le fonctionnement, le lave-linge n'appuie pas contre des murs, des parois, des meubles, etc.
- L'appareil ne doit pas être installé derrière une porte blocable, porte coulissante ou une porte avec charnière dans la partie posée.

2.3 ALIMENTATION EN EAU

1. La pression de l'eau doit être comprise entre les valeurs suivantes : **0,05-0,9MPa**. Si la pression est supérieure, installer un réducteur de pression.
2. Raccorder le tuyau d'alimentation **en eau froide** (bague de couleur **bleue**) au robinet d'eau froide à embout fileté $\frac{3}{4}$ gaz, en ayant soin de le visser à fond pour éviter des fuites. Le tuyau d'arrivée de l'eau ne doit être ni plié ni écrasé et ne doit pas être changé ou coupé. Les filetages doivent être serrés exclusivement à la main.
3. S'il y a l'alimentation en **eau chaude**, la température de l'eau ne doit pas être supérieure à 60°C et le tuyau à embout de couleur **rouge** doit être raccordé au robinet d'eau chaude.

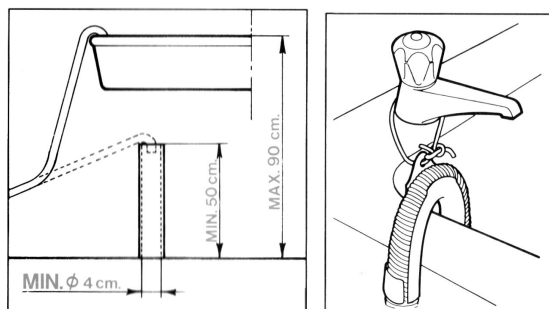


Attention !

- Si le raccordement est effectué avec des tuyauteries neuves ou qui n'ont pas été utilisées depuis très longtemps, faire couler une certaine quantité d'eau avant d'introduire le tuyau d'évacuation. On évite ainsi des dépôts de sable ou d'autres impuretés qui pourraient obstruer les filtres fournis en équipement afin de protéger les vannes d'arrivée d'eau.
- Le nouveau tuyau d'alimentation fourni doit être utilisé mais pas le vieux tuyau.

2.4 VIDANGE

1. Enfiler l'extrémité du tuyau de vidange dans un conduit d'évacuation d'un diamètre interne minimum de 4 cm à une distance du sol comprise entre 50 et 90 cm, ou bien l'accrocher (utiliser le support en plastique sur le coude du tuyau) à un évier ou à une baignoire.



2. Contrôler que l'extrémité du tuyau de vidange soit bien fixée pour empêcher que la force répulsive de l'eau puisse le déplacer de sa position.

Attention !

- Pour faciliter l'écoulement de l'eau, éviter que les tuyaux présentent des pliures ou des étranglements.
- L'éventuel tuyau de rallonge ne doit pas dépasser 1 mètre, il doit avoir le même diamètre interne que le tuyau de vidange et ne doit pas présenter d'étranglements.
- L'extrémité du tuyau de vidange ne doit absolument pas être plongée dans l'eau.

2.5 ALIMENTATION ÉLECTRIQUE

Avant de brancher la fiche dans la prise de courant, contrôler que :

1. La valeur de la tension d'alimentation de l'installation électrique corresponde à la valeur indiquée sur la plaquette des caractéristiques placée devant, dans la zone visible avec le hublot ouvert. La valeur de la puissance et les fusibles nécessaires sont indiqués sur la plaquette.
2. Le compteur, les soupapes de limitation, la ligne d'alimentation et la prise de courant soient dimensionnés pour supporter la charge maximale demandée, indiquée sur la plaquette des caractéristiques.
3. La prise de courant et la fiche fournies en équipement soient compatibles entre elles sans l'interposition de réducteurs, prises multiples, adaptateurs variés, et rallonges qui pourraient provoquer des échauffements ou des brûlures.
Si la prise de courant n'est pas compatible avec la fiche fournie, remplacer la prise par un type plus approprié.

Attention

- La fiche devra être accessible après l'installation.
- **La mise à la terre de l'appareil est absolument nécessaire.** Introduire la fiche dans une prise de courant munie d'une mise à la terre efficace.

Notre société décline toute responsabilité pour d'éventuels dommages matériels et corporels dérivant du branchement manqué ou défectueux à la ligne de terre. Un branchement électrique correct garantit une sécurité maximum.

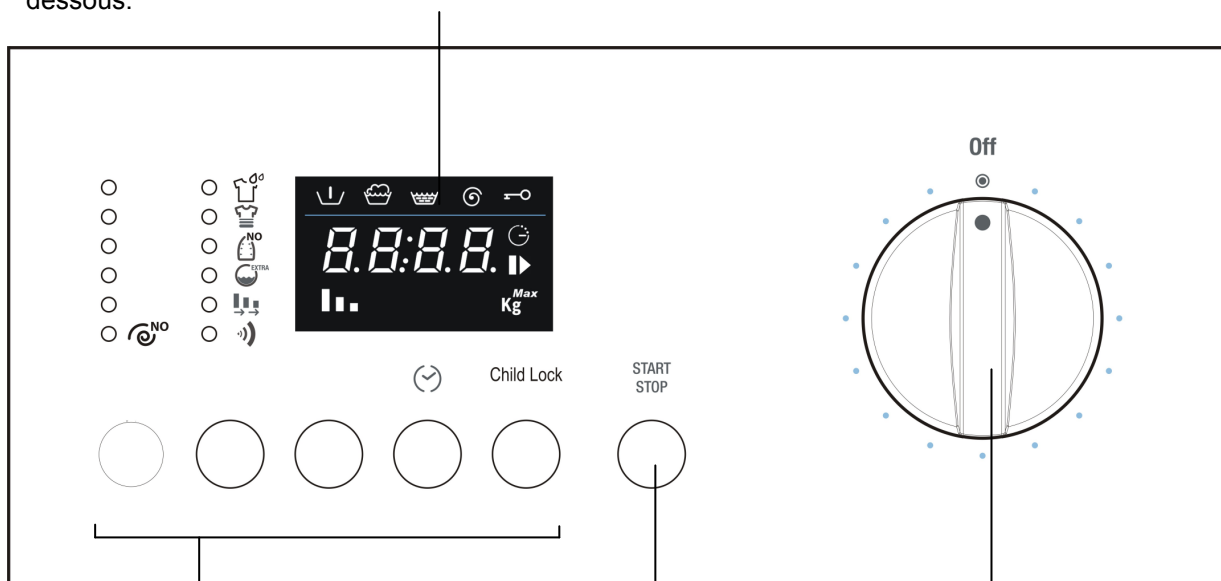
- Cet appareil est conforme aux prescriptions de la directive 89/336/CEE du 3.5.89 (y compris la directive de modification 92/31/CEE) relative à l'élimination de perturbations radioélectriques.
- Si le câble d'alimentation est endommagé, il doit être remplacé par une pièce d'origine, disponible auprès du SAV.
- **Ne pas brancher/débrancher la fiche d'alimentation de la prise avec les mains mouillées**
- **Extraire la fiche d'alimentation de la prise uniquement en saisissant directement la fiche et non pas le câble.**

3. DESCRIPTION DES COMMANDES

3.1 PANNEAU DES COMMANDES

Toutes les commandes et tous les contrôles de l'appareil sont réunis sur le bandeau frontal.

Afficheur : il visualise les paramètres (vitesse d'essorage, cycles, flexi time, activation protection enfants, charge maximale conseillée). Les paramètres sont modifiables avec les touches ci-dessous.



Touches (de gauche à droite) :
Sélection vitesse d'essorage
Sélection option
Confirmation option
Départ différé
Child Lock

Touche Marche/Pause:
 Pour faire partir et arrêter les cycles.

Sélecteur des programmes
 Pour allumer et éteindre le lave-linge et sélectionner les programmes. Rotation possible dans les deux directions. Le sélecteur ne tourne pas pendant l'exécution des programmes.

4. UTILISATION DE LA MACHINE

4.1 PRÉPARATION DU LINGE

1. En premier lieu, trier le linge à laver en séparant les pièces selon le genre de tissu et la solidité des couleurs.
2. Laver séparément le blanc et les couleurs. La première fois, il est conseillé de laver les vêtements neufs de couleur à part. Normalement, sur les vêtements une étiquette reporte les indications utiles pour leur lavage. Ci-dessous, nous donnons une brève description des symboles de ces étiquettes.

LAVAGE		BLANCHISSAGE			
	Programme normal à 90°C	 Traitement de chlorage permis		 Traitement de chlorage proscrit	
	Programme normal à 60°C				
		REPASSAGE			
	Programme normal à 40°C	 À température élevée	 À température moyenne	 À température basse	 Ne pas repasser
	Programme normal à 30°C				
		NETTOYAGE À SEC			
	Programme modéré à 60°	 Tous les solvants usuels	 Tous solvants sauf le trichloréthylène	 Exclusivement les solvants pétroliers et R113	 Ne pas nettoyer à sec
	Programme modéré à 40°C				
	Programme très modéré à 30°C				
		SÉCHAGE EN TAMBOUR APRÈS LAVAGE			
	Lavage à la main	 À température élevée	 À température inférieure à 60°C	 Ne pas sécher	
	Ne pas laver				

Attention !

- Éviter le lavage de linge non ourlé ou déchiré car il pourrait s'effiloche.
- Les corps étrangers peuvent endommager les vêtements ou les composants du lave-linge. Par conséquent : vider et retourner les poches, enlever les roulettes des rideaux ou les mettre dans un sac en filet.
- Laver les pièces très petites (ceintures, mouchoirs, chaussettes, soutiens-gorge push-up, etc.) en les mettant dans un sac en toile blanche, fermer les automatiques, les fermetures éclair, coudre les boutons mal fixés.
- L'emploi des détergents modernes et la juste température de lavage suffisent généralement pour éliminer les taches des tissus. Toutefois, certaines taches difficiles (herbe, fruits, œuf, sang, rouille, stylo, etc.) devraient être prétraitées avant le lavage. **Selon le type de tissu, il existe dans le commerce de nombreux produits pour le traitement des taches. Toutefois, il est conseillé de nettoyer ou de diluer les taches immédiatement, parce que plus elles sont vieilles plus elles sont difficiles à enlever.**
- **Si l'on n'observe pas les symboles de traitement des tissus, le linge peut s'abîmer.**

Laine – Seule la laine marquée pure laine vierge identifiée par la marque ou avec l'étiquette << traitée inféuturable lavable en lave-linge séchant >> peut être lavée en machine dans le programme spécifique, il est préférable de laver à la main ou à sec les autres types de laine.

4.2 OUVERTURE DU HUBLOT

La machine a été équipée d'un dispositif de sécurité qui empêche l'ouverture du hublot au cours du programme.

1. **Contrôler que l'eau ait été complètement évacuée de la cuve et que le tambour soit arrêté.**

Attention !

- En cas d'interruption du programme de lavage, attendre de 3 à 15 minutes en fonction de la température interne atteinte par la machine.

Attention !

L'eau peut être bouillante si le lavage a été fait à des températures élevées. S'il y a encore de l'eau à l'intérieur du tambour, éviter d'ouvrir la porte du hublot !

4.3 CHARGEMENT DU LINGE

Autant que possible, **afin d'économiser de l'énergie électrique, faire un chargement complet pour les différents types de tissu.** Introduire le linge sans le tasser en alternant les grandes pièces et les petites. Les premières fois, peser le linge ensuite l'expérience acquise sera suffisante.

4.4 INTRODUCTION DU LINGE

1. Ouvrir le hublot et introduire le linge dans la cuve en le distribuant uniformément, bien ouvert et non pas tassé ; si possible, mélanger les grandes pièces et les petites.
2. Le lave-linge, accompagné du présent manuel, peut être **chargé jusqu'à un maximum de 7kg** de linge pour chaque lavage. Si l'on met plus de linge, on aura des résultats de lavage non satisfaisants et des dysfonctionnements possibles de la machine.
3. **Pour économiser de l'énergie, compléter la charge** pour les différents types de tissu en respectant les quantités reportées dans le « Tableau des programmes » fourni avec ce manuel.
4. Fermer la porte en la poussant contre le bâti jusqu'à ce que l'on entende le dé clic de la serrure. Faire attention que le linge ne reste pas pris entre le hublot et le joint en caoutchouc.

Attention !

- Si la porte n'est pas bien fermée, un dispositif de sécurité empêche la mise en marche du lave-linge.
- **Ne pas dépasser la capacité maximum de chargement : un chargement excessif ne donne pas de bons résultats de lavage.**

4.5 INTRODUCTION DU DÉTERGENT ET DES ADDITIFS

Le bac interne est composé de trois compartiments portant les symboles



détergent pour pré-lavage

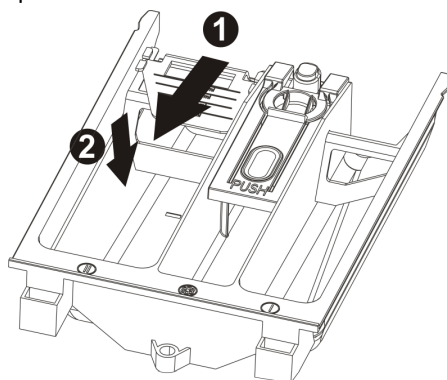


détergent pour lavage



pour l'adoucissant, amidon, additifs, etc (ex. produits pour le traitement). Les produits additifs sont introduits automatiquement dans la cuve de lavage pendant le dernier rinçage.

Dans le compartiment de lavage, une languette permet d'utiliser le détergent liquide. Pour cela, la tirer vers l'avant puis la baisser.



En suivant les indications du « Tableau des programmes » fourni avec ce manuel, introduire avant le début du programme, dans le bac, le détergent et les éventuels produits additifs.

Le niveau des liquides ne doit pas dépasser l'indication maximum, dans le cas contraire, les compartiments se videraient trop vite.

Avant de verser les additifs denses dans le compartiment prévu, les diluer avec un peu d'eau pour empêcher que le siphon s'obstrue.

N'utiliser que des détergents qui produisent peu de mousse et appropriés à une utilisation dans un lave-linge.

Déterminer la quantité de détergent selon la dureté de l'eau, le type et la quantité de linge chargée et son degré de salissure.

On obtiendra ainsi le résultat désiré et une consommation optimale de détergent.

Sur les emballages des détergents le dosage est indiqué selon 4 niveaux de dureté et pour une quantité de linge de 4-5 kg normalement sale.

Demander les informations relatives au degré de dureté de l'eau à la compagnie locale de distribution d'eau.

Dureté de l'eau

Niveau de dureté	Degrés français fH	Degrés allemands dH
Douce	Jusqu'à 15°	Jusqu'à 8°
Moyenne	15° - 25°	8° - 14°
Dure	25° - 40°	14° - 22°
Très dure	Plus de 40°	Plus de 22°

4.6 DOSAGE DES DÉTERGENTS EN POUDRE

Linge normalement sale

1. Choisir un programme sans prélavage.
2. Introduire la quantité totale de détergent indiquée sur les emballages dans le compartiment lavage du bac à détergent.

Linge très sale

1. Choisir un programme avec prélavage.
2. Introduire $\frac{1}{4}$ de la quantité de détergent conseillée dans le compartiment prélavage du bac à détergent et $\frac{3}{4}$ du détergent dans le compartiment lavage.

Attention !

- S'il n'y a pas les indications de dosage pour le linge délicat en fibre synthétique, doser de $\frac{1}{2}$ jusqu'à $\frac{2}{3}$ de la quantité indiquée pour le lavage des tissus résistants en coton.
- Pour le programme laine, il est recommandé de n'utiliser que des détergents neutres pour la laine.
- Doser selon les indications données par le producteur du détergent.

4.7 DOSAGE DE DÉTERGENTS LIQUIDES

1. Verser, dans le doseur fourni avec le détergent liquide, la dose indiquée et la verser dans la cuve ; ou utiliser le compartiment lavage du bac à détergent, en mettant l'insert prévu.
2. La graduation sur l'insert rouge sert pour le dosage du détergent liquide.

Attention !

- Les détergents liquides peuvent être utilisés à la dose prévue par le producteur **uniquement pour le lavage principal, c'est-à-dire dans tous les programmes sans prélavage.**

4.8 ADOUCISSEURS

Les adoucisseurs peuvent être ajoutés en suivant les indications des producteurs dans les compartiments prélavage et lavage.


Introduire dans les compartiments d'abord le détergent puis l'adoucisseur.

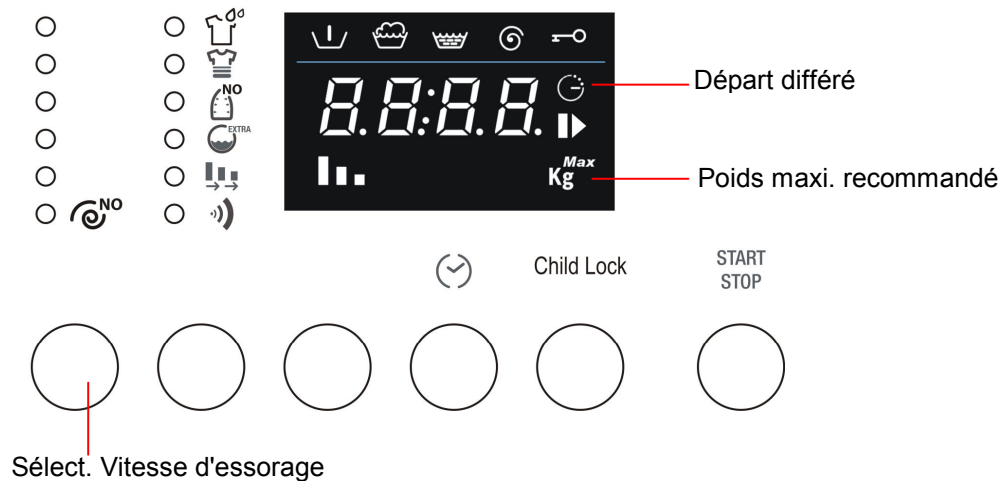
4.9 PROGRAMMES ET FONCTIONS

Pour la sélection des programmes selon le type de tissu, consulter le « Tableau des programmes » fourni avec ce manuel (À l'intérieur de la valise d'accessoires).

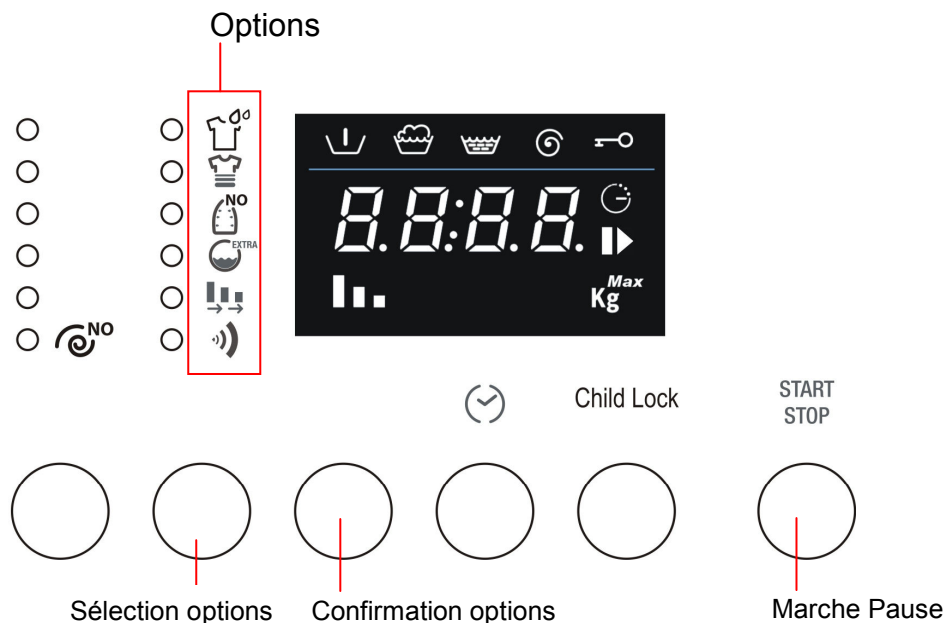
4.10 ALLUMAGE DE LA MACHINE ET SÉLECTION DU PROGRAMME DE LAVAGE

Procéder comme suit :

1. Tourner la manette des programmes dans un sens ou dans l'autre. Le lave-linge s'allume.
2. Sélectionner le programme de lavage. Sur l'afficheur, le temps restant et le poids maximum conseillé pour le programme sélectionné s'affichent. Selon ce qui est affiché, les symboles correspondants s'allument sur l'afficheur.
3. Les valeurs par défaut pour la vitesse d'essorage s'affichent. On peut modifier les introductions initiales par la touche placée sous la séquence des vitesses d'essorage.
4. La vitesse d'essorage égale à , signifie exclusion de l'essoreuse et arrêt avec la cuve pleine. En introduisant cette valeur la machine n'effectue pas l'essorage final et termine le programme de lavage avec l'eau dans la cuve.



4.11 SÉLECTION ET CONFIRMATION DES OPTIONS



1. En pressant la touche Sélection options, il est possible de sélectionner en succession les options suivantes (du haut vers le bas) :

Prélavage: introduction d'une phase qui précède le lavage, de la durée de 20 minutes environ et à une température de 35°C. Adaptée pour des vêtements très sales.

Intensif: la température maxi devient de 60°C et le lavage est prolongé pour augmenter l'efficacité des enzymes présents dans les détergents. Adapté pour des vêtements délicats mais sales.

Anti-froissement: permet d'obtenir, à la fin du lavage, des vêtements sans trop de plis et que l'on peut repasser facilement.

Water plus : Quantité d'eau plus importante pour le lavage et les rinçages.

Dans alternative **Rinçage plus** : cette option permet d'ajouter un rinçage dans le programme de lavage sélectionné

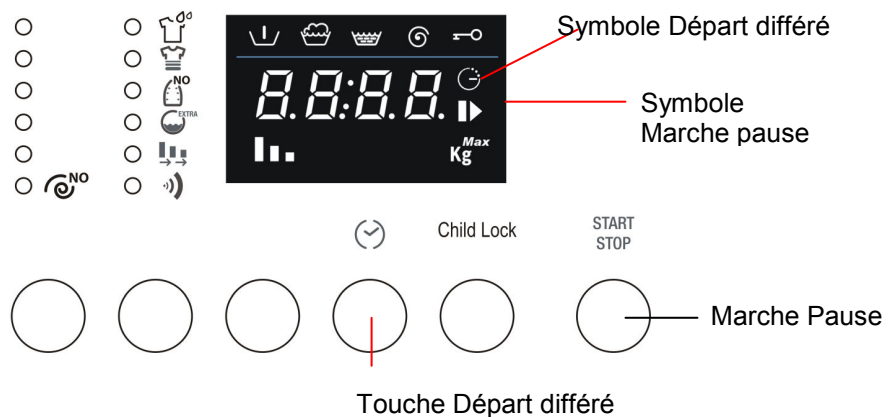
Flexi Time: permet de réduire la durée du cycle. Le symbole est complètement allumé avec la durée initiale pour le programme sélectionné. En sélectionnant l'option, il est possible de réduire encore la durée à un niveau intermédiaire, à un niveau minimum et de retourner à la durée initiale, en pressant plusieurs fois la touche Set.

Dans alternative **Rapide** : permet de réduire la durée du cycle de lavage. Adapté pour une petite quantité de linge, peu sale.

Sonnerie: il est possible d'activer/de désactiver le signal sonore de fin de cycle. La machine est fournie avec l'option activée.

2. Pour confirmer l'option sélectionnée, presser Confirmation options et la led de l'option reste allumée.
3. Pour éliminer la sélection d'une option, retourner sur l'option par la touche Sélection options et presser la touche Confirmation options. Pour enlever en une seule opération la sélection de toutes les options précédemment confirmées, tenir pressée la touche Confirmation options pendant 4 secondes.
4. L'option Sonnerie maintient la sélection faite, même pour les cycles suivants. Elle est désactivée automatiquement uniquement avec le programme Night Wash.

4.12 TEMPS RESTANT

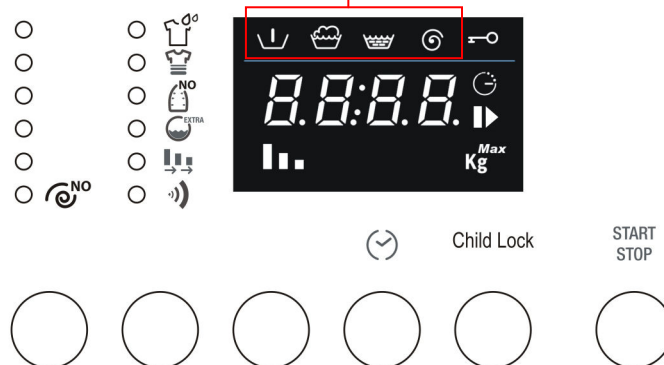


1. En pressant plusieurs fois la touche Départ différé, il est possible de sélectionner après combien de temps le programme de lavage pourra terminer. Le temps à la fin du cycle tient compte de la durée initiale du cycle de lavage, des sélections faites (température, vitesse d'essorage et options), qui peuvent réduire ou prolonger la durée initiale du cycle et du temps d'attente que l'utilisateur veut ajouter avant le départ.
2. Après avoir sélectionné le Départ différé, le symbole sur l'afficheur reste allumé.
3. Pour désélectionner la fonction de Départ différé, presser plusieurs fois la touche jusqu'à ce que 0 apparaisse sur l'afficheur.
4. Jusqu'au départ du cycle, le symbole Marche Pause clignote à intermittence. Après le départ du cycle, le symbole est allumé sans intermittence.

4.13 DÉPART DU PROGRAMME DE LAVAGE

1. Pour faire partir le programme de lavage, après avoir personnalisé les sélections, presser la touche Marche Pause.
2. Après le départ, l'afficheur montre le temps restant à la fin du cycle et le symbole Marche Pause sur l'afficheur reste allumé.
3. Pendant l'exécution du programme de lavage, les symboles qui indiquent les phases sont allumés :

Symboles des phases d'un cycle : Prélavage, lavage, rinçages et essorage final.



4.14 INTERRUPTION OU CHANGEMENT DU PROGRAMME DE LAVAGE


Pendant son exécution, le programme de lavage peut être interrompu à tout moment :

1. presser la touche « Marche/Pause » pendant environ 3 secondes : l'afficheur affiche alternativement le mot PAUS (pendant 1 seconde) et le temps restant (pendant 1 seconde). Le voyant Marche/Pause clignote à intermittence.
La pause peut aussi se faire en tournant la manette sélection des programmes/températures pendant l'exécution du cycle.
2. Si l'on veut changer le programme de lavage, sélectionner le nouveau programme en tournant la manette des programmes, sans mettre en pause la machine. Le nouveau cycle de lavage sera complètement exécuté en commençant du début. Si, pendant le cycle précédent, l'eau avait déjà été introduite dans la cuve, le nouveau programme commencera sans arrivée d'eau.
3. Pour reprendre de nouveau le cycle, presser la touche Marche-Pause.

4.15 FIN DU PROGRAMME

Les programmes de lavage terminent automatiquement, sur l'afficheur apparaît le mot END et le voyant « Temps restant » n'est plus allumé.

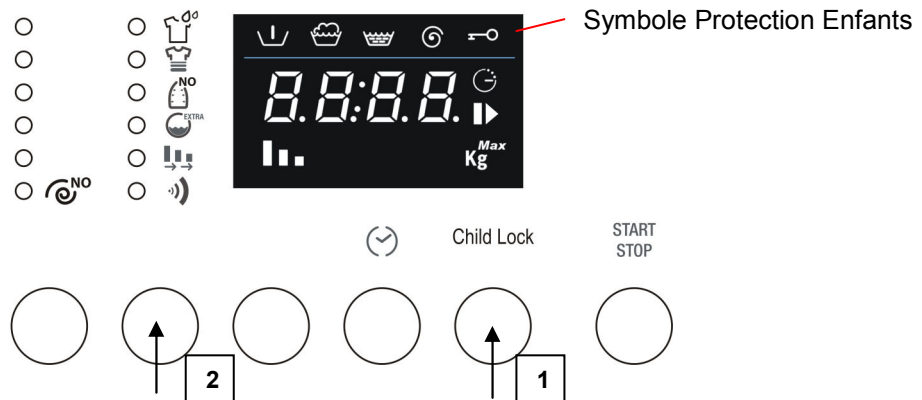
1. **Éteindre la machine en mettant la manette des programmes sur OFF**
2. Sortir le linge du tambour.
3. Laisser le hublot entrouvert pour que l'intérieur du lave-linge puisse sécher.
4. **Fermer le robinet d'entrée de l'eau.**

Si, lors de l'introduction de la vitesse d'essorage, l'exclusion de l'essorage a été sélectionnée avec arrêt cuve pleine  (vitesse d'essorage égale à 0), à la fin du programme de lavage le mot STOP apparaît sur l'afficheur, alterné avec ---- (vitesse d'essorage égale à 0) et le voyant de visualisation de l'essorage allumé.

Pour continuer avec la vidange et l'essorage, presser deux fois la touche de sélection essorage. La machine reprend le cycle avec la vidange et l'essorage. Pour sélectionner la vitesse d'essorage désirée, presser la touche jusqu'à ce que cette vitesse s'affiche. Si l'on veut vidanger l'eau présente dans la cuve sans essorer, presser la touche de sélection essorage jusqu'à ce que la vitesse 00 s'affiche ce qui indique que la vidange se fera sans l'essorage.

4.16 PROTECTION ENFANTS

1. En activant cette fonction, on empêche la modification des options, températures, vitesse d'essorage et cycle de lavage pendant son exécution.

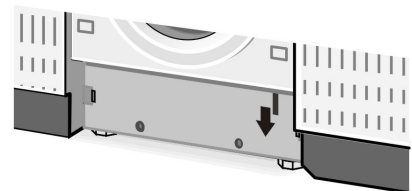


2. Pour activer la fonction Protection Enfants, presser et tenir pressée la touche Child Lock (1). Dans les 3 secondes, presser aussi la touche Sélection Options (2).
3. Le symbole Protection Enfants s'allume lorsque la fonction est activée.
4. Pour désactiver la fonction, répéter cette procédure.

4.17 OUVERTURE D'URGENCE

S'il y a une panne de courant, le hublot s'ouvre par l'intermédiaire d'un crochet mécanique représenté par la languette placée dans la partie inférieure de l'appareil :

- Tourner la manette sur Off et enlever la prise d'alimentation électrique
- Évacuer l'eau de lavage (voir paragraphe 5,4)
- Tirer le crochet vers le bas et ouvrir le hublot.



Attention, risque de brûlures : avant d'ouvrir le hublot, s'assurer qu'il n'y ait pas d'eau dans la machine ou de l'eau bouillante et du détergent qui pourrait sortir lorsqu'on ouvre le hublot et provoquer des dégâts.

Attention : ne pas ouvrir le hublot avec l'ouverture d'urgence pendant la rotation du tambour.

5. NETTOYAGE ET ENTRETIEN

Important – Avant toute opération de nettoyage ou d'entretien, débrancher la fiche de la prise de courant.

5.1 NETTOYAGE EXTÉRIEUR

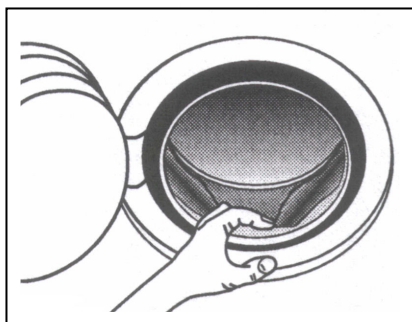
- Un nettoyage régulier et constant permet de maintenir inaltéré l'aspect de votre appareil.
- Nettoyer l'extérieur avec de l'eau et du savon puis essuyer très soigneusement avec un chiffon doux.
- Les parties en plastique doivent être nettoyées uniquement avec un chiffon humide.
- Ne pas gratter avec des objets pointus et éviter l'emploi de solvants ou de produits contenant des abrasifs qui abîment les surfaces.
- **Pour des raisons de sécurité, ne jamais envoyer des jets d'eau sur le lave-linge.**

5.2 NETTOYAGE DU TAMBOUR

- Éliminer les éventuelles taches de rouille du tambour avec un produit spécial pour acier inoxydable ou si les taches persistent avec du papier émeri très fin.
- Pour détartrer le lave-linge utiliser uniquement des produits détartrants de marque avec anticorrosif pour lave-linge.
- Pour l'emploi et le dosage, suivre scrupuleusement les indications du producteur.
- **Après le détartrage et l'élimination de la rouille du tambour, faire faire quelques cycles de rinçage afin d'éliminer tous les résidus d'acides qui pourraient endommager la machine. En aucun cas il ne faut utiliser de détergents contenant des solvants. Des vapeurs pourraient se former, prendre feu et exploser.**

5.3 NETTOYAGE DU JOINT DU HUBLOT

Contrôler périodiquement qu'il n'y ait pas d'agrafes, de boutons, de clous, d'aiguilles dans les plis du joint du hublot.



5.4 NETTOYAGE DE LA POMPE DE VIDANGE

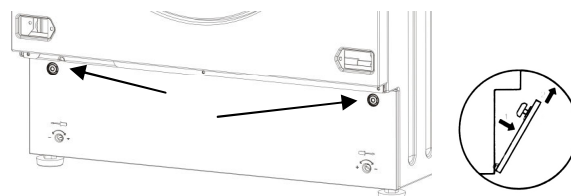
Le nettoyage de la pompe de vidange n'est effectué que si la pompe se bloque à cause de boutons, d'agrafes ou d'objets similaires et l'eau n'est plus évacuée.

Dans ce cas, procéder comme suit.

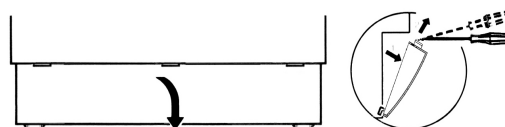
1. Débrancher la machine.

2. Selon le modèle agir comme suit :

Modèle intégrable total – avec un petit tournevis, exercer une légère pression et décrocher les bouchons indiqués sur la figure, tourner le socle vers le bas et accéder à la pompe.



Modèle pose libre – Introduire un petit tournevis dans les fentes se trouvant sur la partie avant du socle puis exercer une légère pression vers le haut afin de libérer la partie supérieure du socle de l'appareil. Incliner le socle légèrement vers l'avant et tirer vers le haut pour l'enlever complètement.

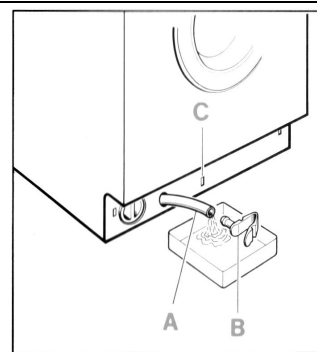


3. Extraire le flexible de vidange « A ».

Attention : le tuyau chaud signale eau chaude ou bouillante. Poser sur le sol un récipient bas et enlever le bouchon « B » pour évacuer l'eau.

Selon la quantité d'eau, il peut s'avérer nécessaire de vider plusieurs fois le récipient.

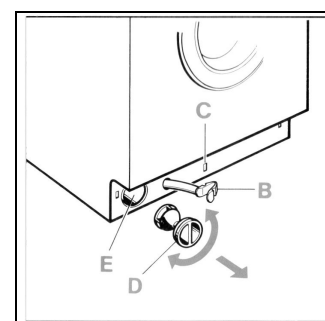
Quand l'eau ne sort plus, fermer de nouveau le flexible en appliquant bien le bouchon « B ».



4. Dévisser le couvercle de la pompe « D » en tournant vers la gauche.

Nettoyer et éliminer les objets étrangers du corps de la pompe.

Contrôler aussi l'intérieur « E » en s'assurant que la roue tourne librement ; il pourrait y avoir des corps étrangers encastrés à enlever.



5. Revisser le couvercle de la pompe.

Fixer le flexible de vidange en remettant le bouchon à déclic dans son logement « C ».

Selon le modèle, remonter le socle comme suit :

Modèle intégrable total – Introduire le socle d'abord dans la partie inférieure. Le pousser vers l'appareil et accrocher de nouveau les bouchons.

...

Modèle pose libre – Introduire le socle d'abord dans la partie inférieure puis le pousser vers l'appareil jusqu'à ce qu'il s'encastre.

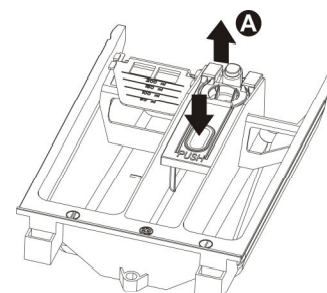
5.5 NETTOYAGE DU BAC À DÉTERGENTS

Le bac à détergents doit toujours être propre et sans incrustations.

Pour faciliter cette opération, sortir le bac de son logement (tirer le bac jusqu'au fond, appuyer dans la zone où est écrit le mot PUSH puis l'extraire complètement).

Enlever le siphon « A » et nettoyer le tout avec de l'eau chaude.

Enfiler de nouveau le siphon jusqu'au fond et, avant de remettre le bac dans son logement, éliminer d'éventuels dépôts de détergent.



5.6 NETTOYAGE DU FILTRE D'ARRIVÉE D'EAU

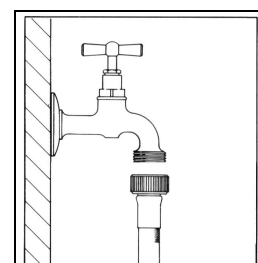
La machine est équipée d'un filtre pour protéger les vannes d'arrivée de l'eau.

Le filtre se trouve dans le raccord du tuyau d'alimentation qui est relié au robinet

Le filtre doit être nettoyé si le lave-linge n'est pas alimenté en eau ou si celle-ci n'arrive pas en quantité suffisante.

Pour le nettoyage, procéder comme suit :

- **Débrancher la machine.**
- Fermer le robinet d'arrivée de l'eau.
- Dévisser le raccord du tuyau d'alimentation du robinet.
- Enlever le filtre du raccord du tuyau d'alimentation.
- Nettoyer le filtre avec de l'eau et une brosse.
- En revissant les raccords du tuyau d'alimentation, contrôler la position du filtre.



6. ANOMALIES DE FONCTIONNEMENT

Ce produit est conforme aux normes de sécurité en vigueur relatives aux appareillages électriques. D'éventuels contrôles techniques ou des réparations doivent être faits pour des raisons de sécurité uniquement par du personnel qualifié afin d'éviter des risques pour l'utilisateur.





Lorsque la machine ne fonctionne pas, avant d'appeler le SAV, pour éviter des frais inutiles, contrôler personnellement que toutes les opérations reportées dans le tableau des anomalies aient été effectuées.

- | | | |
|-----------|--|---|
| 1 | La machine ne se met pas en marche | Contrôler que : <ul style="list-style-type: none"> - la fiche soit bien enfilée dans la prise - la porte du hublot soit bien fermée - la touche « Marche/Pause » ait été pressée. |
| 2 | Elle ne prend pas l'eau | Contrôler que : <ul style="list-style-type: none"> - la fiche soit bien enfilée dans la prise - la porte du hublot soit bien fermée - le robinet de l'eau soit ouvert - les filtres du tuyau d'alimentation en eau ne soient pas obstrués - le tuyau d'alimentation en eau ne soit pas coincé ou plié. |
| 3 | On ne voit pas l'eau dans le tambour | Aucune anomalie.
Le niveau de l'eau est plus bas que le verre du hublot parce que les nouvelles machines utilisent peu d'eau tout en obtenant les mêmes résultats de lavage et de rinçage. |
| 4 | L'eau n'est pas évacuée | Contrôler que : <ul style="list-style-type: none"> - le tuyau de vidange ne soit pas plié - la pompe de vidange ne soit pas obstruée. |
| 5 | L'eau n'est pas évacuée après le dernier rinçage des programmes de lavage délicats et laine | Il ne s'agit pas d'une anomalie : la pause est prévue par le programme de lavage pour éviter la formation de plis sur les tissus.
Pour évacuer l'eau, voir le paragraphe (Fin de programme). |
| 6 | La machine prend et évacue l'eau continuellement | Contrôler que l'extrémité du tuyau de vidange ne soit pas trop basse. |
| 7 | Fortes vibrations pendant l'essorage | Contrôler que : <ul style="list-style-type: none"> - La machine soit bien de niveau - le lave-linge ne soit pas trop près de murs ou de meubles - le groupe oscillant intérieur ait été débloqué. |
| 8 | Trop de mousse dans la cuve et elle sort par le bac à produits | Contrôler que : <ul style="list-style-type: none"> - le détergent utilisé soit celui prévu pour les machines automatiques et non pas pour le lavage à la main - la quantité de détergent utilisée soit celle indiquée dans le manuel et non pas une quantité supérieure. |
| 9 | Présence d'eau sur le sol | Contrôler que : <ul style="list-style-type: none"> - les raccords du tuyau d'alimentation en eau ne soient pas desserrés - l'extrémité du tuyau de vidange n'ait pas été déplacée de sa position. |
| 10 | L'adoucissant n'est pas complètement utilisé ou il reste trop d'eau dans le compartiment | Contrôler que les siphons dans le bac à détergent soient bien dans leur logement et qu'ils ne soient pas obstrués. |

- 11 La machine n'essore pas** La sécurité anti-balourd est intervenue à cause d'une mauvaise répartition du linge dans le tambour. Donc si, en fin de cycle, le linge est encore mouillé, nous conseillons de le mettre à la main dans le tambour et de répéter uniquement le programme d'essorage.
- 12 Vidage de l'eau du tambour** En cas de panne ou d'un problème au lave-linge, on peut faire un vidage d'urgence de l'eau contenue dans le tambour.
- 13 Le linge n'a pas bien été essoré** Les grandes pièces se sont enroulées et ne sont pas bien réparties dans le tambour. Il faut toujours mélanger des grandes et des petites pièces.
- 14 Résidus de détergent sur le linge** Beaucoup de détergents sans phosphates contiennent des substances difficilement solubles dans l'eau.
Sélectionner le programme Rinçage ou brosser le linge.
- 15 Le résultat du lavage n'est pas satisfaisant**
- Probablement il n'y avait pas assez de détergent ou le détergent n'était pas approprié
 - Les taches difficiles n'ont pas été soumises à un traitement préliminaire
 - La température choisie n'était pas juste
 - Le tambour est trop plein.

AFFICHAGE D'ERREURS

En cas de dysfonctionnement la machine signalera l'anomalie par un code d'erreur affiché sur l'afficheur.


Code erreur	Description du problème
	Le hublot n'est pas bien fermé. Essayer de le fermer de nouveau.
	Intervention Aqua stop. Contacter le SAV le plus proche après avoir débranché la machine et fermé le robinet de l'eau.
	Elle ne prend pas l'eau pour le lavage. Voir point 2 de la liste des anomalies.
	L'eau n'est pas évacuée Voir point 4 de la liste des anomalies

Pour tous les autres codes d'erreur affichés, contacter le SAV le plus proche après avoir débranché la machine et fermé le robinet de l'eau.

Inhaltsverzeichnis

1. Hinweise zur Sicherheit und zum Gebrauch	2
2. Installationsanleitung	5
3. Beschreibung der Bedienelemente	8
4. Gebrauch des Geräts zum Waschen	9
5. Reinigung und Pflege	18
6. Hinweise zu Betriebsstörungen	20



Dieses Gerät ist mit der Kennzeichnung  gemäß der europäischen Richtlinie 2002/96/EG über Elektro- und Elektronik-Altgeräte (Waste Electrical and Electronic Equipment - WEEE) versehen.

Diese Richtlinie definiert die Bestimmungen für die Sammlung und das Recycling von Altgeräten, die für alle Mitgliedstaaten gelten.

Das am Gerät oder an der Verpackung angebrachte Symbol, das eine durchgestrichene Abfalltonne auf Rädern darstellt, weist darauf hin, dass das Gerät am Ende seiner Lebenszeit getrennt von anderen Abfällen entsorgt werden muss. Der Benutzer muss das Altgerät daher zu einer Sammelstelle für Elektro- und Elektronikabfälle bringen oder im Moment des Erwerbs eines gleichwertigen neuen Geräts im Gegenzug an den Händler zurückgeben.

Die ordnungsgemäße getrennte Sammlung für die anschließende Wiederverwertung, Aufbereitung und umweltverträgliche Entsorgung der Altgeräte trägt zur Vermeidung von möglichen Umwelt- und Gesundheitsschäden bei und erlaubt das Recycling bzw. die Wiederverwendung der Materialien, aus denen das Gerät besteht.

Die widerrechtliche Entsorgung des Geräts durch den Benutzer wird mit einem Bußgeld geahndet.



DIE GEBRAUCHSANLEITUNG AUFMERKSAM DURCHLESEN.

Hinweis

Wir empfehlen Ihnen, alle in der vorliegenden Gebrauchsanleitung enthaltenen Anweisungen aufmerksam durchzulesen, um sich über die optimalen Bedingungen für den richtigen und sicheren Gebrauch Ihres Geräts zu informieren.

Diese Gebrauchsanleitung muss unbedingt zusammen mit dem Gerät aufbewahrt werden, damit sie jederzeit zu Rate gezogen werden kann.

Bei Verkauf oder Weitergabe muss sichergestellt sein, dass die Gebrauchsanleitung immer beim Gerät bleibt, damit es dem neuen Besitzer möglich ist, sich über seine Funktionsweise zu informieren.

1. HINWEISE ZUR SICHERHEIT UND ZUM GEBRAUCH

Hinweis

Diese Hinweise dienen der Sicherheit.

Sie müssen vor der Installation und vor dem Gebrauch aufmerksam gelesen werden.

Entsorgung des Verpackungsmaterials.

- Die Verpackungsabfälle nicht unbeaufsichtigt in der Wohnung liegen lassen. Die verschiedenen Abfallmaterialien der Verpackung trennen und zur nächsten Sammelstelle bringen.
- Das Verpackungsmaterial (Plastikbeutel, Polystyrol usw.) darf nicht in der Reichweite von Kindern gelassen werden.

Entsorgung des Altgeräts

- **Das Altgerät muss unbrauchbar gemacht werden: Den Netzstecker aus der Steckdose ziehen und das Netzkabel durchschneiden. Außerdem das Schloss der Einfülltür unbrauchbar machen, um zu verhindern, dass sich Kinder beim Spielen im Gerät einschließen und sich so in Lebensgefahr bringen.**
Das Altgerät dann zu einer Sammelstelle bringen.

Umweltschutz

- Versuchen Sie stets, die empfohlene maximale Füllmenge zu nutzen. Achten Sie andererseits auch darauf, die maximale Füllmenge nicht zu überschreiten.
- Verwenden Sie die Vorwaschfunktion nicht für leicht oder normal verschmutzte Wäsche.
- Dosieren Sie das Waschmittel nach den Empfehlungen des Herstellers.
- Wählen Sie die für den Wäschetyp geeignete maximale Schleuderdrehzahl. Hochgeschwindigkeitswäscheschleudern verkürzen die Trocknungszeit und senken den Energieverbrauch.

Sicherheitsanweisungen

- Dieses Gerät ist für den häuslichen Gebrauch bestimmt und entspricht den Richtlinien 72/23/EWG und, 89/336/EWG (inklusive der Richtlinien 92/31/EWG und 93/68/EWG), die derzeit in Kraft sind.
- Lesen Sie vor der Installation und vor dem Gebrauch alle in dieser Gebrauchsanleitung enthaltenen Anweisungen aufmerksam durch.
- Vergewissern Sie sich vor dem Gebrauch, dass die Transportsicherung des Laugenbehälters entfernt wurde (siehe die Anweisungen). Wenn die Transportsicherung des Laugenbehälters nicht entfernt wird, besteht die Gefahr, dass der Waschvollautomat und in der Nähe befindliche Möbel und Geräte beschädigt werden.
- Diese Gebrauchsanleitung ist Bestandteil des Geräts: Es muss sorgfältig und griffbereit aufbewahrt werden. Die Installation muss vom Fachmann in Einklang mit den geltenden gesetzlichen Bestimmungen ausgeführt werden. Das Gerät wurde für die folgenden Funktionen konzipiert: Waschen von Wäsche oder Stoffen, die nach den Angaben des Herstellers auf dem Pflegeetikett in der Waschmaschine gewaschen werden können. Jeder andere Gebrauch ist als zweckwidrig anzusehen. **Der Hersteller übernimmt im Falle eines anderen als des vorgesehenen Gebrauchs keine Haftung.**
- Das Typenschild mit den technischen Daten, der Seriennummer und dem Prüfzeichen ist leicht erkennbar hinter der Einfülltür angebracht. **Das Typenschild darf keinesfalls entfernt werden.**
- **Die Arbeiten für den Strom- und Wasseranschluss für die Installation des Geräts müssen vom Fachmann ausgeführt werden.**

- Das Gerät muss vorschriftsmäßig geerdet werden. **Der Hersteller haftet nicht für Schäden an Personen oder Sachen, die auf eine mangelnde oder fehlerhafte Erdung zurückzuführen sind.**
- Wenn das Gerät nicht an eine Steckdose, sondern fest angeschlossen wird, ist eine allpolige Trennvorrichtung mit einer Kontaktöffnungsweite von mindestens 3 mm vorzusehen.
- Der Stecker, der an das Netzkabel angeschlossen wird, muss vom gleichen Typ wie die Netzsteckdose sein und den geltenden Vorschriften entsprechen. Sicherstellen, dass Netzspannung und -frequenz mit den Angaben auf dem Typenschild übereinstimmen. Keine Adapter oder Abzweigungen verwenden. Ziehen Sie nicht am Netzkabel, um den Netzstecker aus der Steckdose zu ziehen.
- **Das Gerät ist erst dann vom Stromnetz getrennt, wenn der Netzstecker aus der Steckdose gezogen bzw. der Hauptschalter der elektrischen Anlage ausgeschaltet wurde. Der Netzstecker muss nach der Installation bequem zugänglich sein.**
- Zur Installation des Geräts müssen die neuen Schlauchpakete verwendet werden (in der Ausstattung des Geräts enthalten). Die alten Schlauchpakete dürfen nicht mehr verwendet werden.
- Darauf achten, dass das Gerät nicht auf dem Netzkabel steht.
- Der Waschvollautomat darf keinesfalls in Fahrzeugen, Schiffen oder Flugzeugen und nicht in Umgebungen betrieben werden, in denen besondere Bedingungen wie beispielsweise eine explosionsfähige oder aggressive Atmosphäre (Stäube, Dämpfe oder Gase) vorliegen oder explosive und/oder aggressive Flüssigkeiten vorhanden sind.
- Den Waschvollautomaten nicht an einem Ort aufstellen, an dem die Temperatur unter den Gefrierpunkt sinken kann. Eingefrorene Schläuche können unter Druck bersten.
- Vergewissern Sie sich, dass der in das Waschbecken eingehängte Ablaufschlauch **gut befestigt ist, damit er nicht abrutschen kann.**
- Wenn er nicht richtig gesichert ist, kann er durch die Rückstoßkraft des ausfließenden Wassers aus dem Waschbecken gedrückt werden, **wodurch es zu Wasserschäden kommen kann.**
- Wenn der Ablaufschlauch in ein Waschbecken eingehängt wird, **müssen Sie außerdem sicherstellen, dass das Wasser schnell genug abfließen kann, damit das Waschbecken nicht überlaufen kann.**
- Überladen Sie das Gerät nicht!
- Verwenden Sie zum Waschen im Waschvollautomat keinesfalls lösemittelhaltige Reinigungsmittel oder chemische Produkte. **Hierdurch kann das Gerät beschädigt werden und es können sich giftige und ggf. entzündliche oder explosive Dämpfe bilden.**
- Kleidungsstücke, die mit erdöhlhaltigen Produkten getränkt sind, dürfen nicht in der Maschine gewaschen werden. Vergewissern Sie sich, dass sich in den Kleidungsstücken keine Zündquellen (z.B. Feuerzeuge, Streichhölzer usw.) befinden.
- Wenn Sie flüchtige Flüssigkeiten zur Reinigung von Kleidungsstücken verwenden, müssen Sie sicherstellen, dass sie sich vollständig verflüchtigt haben, bevor Sie die Kleidungsstücke zum Waschen in die Maschine geben.
- Vergewissern Sie sich vor dem Waschen, dass alle Taschen geleert, die Knöpfe zugeknöpft und die Reißverschlüsse geschlossen sind.
- Vermeiden Sie, ausgefranste oder zerrissene Wäschestücke zu waschen.
- Beim Waschen mit hohen Temperaturen wird das Schauglas sehr heiß.
- **Vergewissern Sie sich vor dem Öffnen der Einfülltür, dass das Wasser vollständig abgepumpt wurde.**
- Wenn sich noch Wasser im Laugenbehälter befindet, müssen Sie es abpumpen, bevor Sie die Einfülltür öffnen. Konsultieren Sie im Zweifelsfall die Gebrauchsanleitung.
- **Das in der Maschine befindliche Wasser ist nicht trinkbar!**
- Die versehentliche Einnahme von Waschmitteln kann zu Verletzungen im Mund- und Rachenbereich führen.
- Vergewissern Sie sich, **dass die Trommel vollkommen zum Stillstand gekommen ist, bevor Sie die Wäsche aus der Maschine nehmen.**
- Schalten Sie die Maschine nach dem Gebrauch stets aus, um Energieverschwendung zu vermeiden.
- Lassen Sie die Einfülltür zwischen den Waschgängen leicht geöffnet, um die Dichtung in einem guten Zustand zu halten.
- Im Falle einer Betriebsstörung **niemals versuchen, die Maschine selbst zu reparieren.** Trennen Sie die Maschine vom Stromnetz und drehen Sie den Wasserhahn zu. Verständigen Sie dann einen Fachmann. **Reparaturen dürfen nur vom Fachmann ausgeführt werden.**

-
- **Das Gerät ist für den Gebrauch durch erwachsene Personen bestimmt.** Gestatten Sie Kindern nicht, mit dem Waschvollautomaten und seinen Bedienelementen zu spielen. **Halten Sie kleine Kinder während des Programmablaufs fern von der Maschine.**
 - Es besteht die Gefahr, dass sich kleine Kinder und junge Haustiere in den Waschvollautomaten begeben.
 - Kontrollieren Sie daher stets vor dem Gebrauch, ob die Trommel leer ist. **Gestatten Sie Kindern nicht, mit dem Gerät zu spielen.**
 - Halten Sie Kinder vom Gerät fern, wenn die Einfülltür oder die Waschmittelschublade geöffnet ist. Im Gerät könnten sich noch Waschmittelreste befinden, die zu irreversiblen Schäden an den Augen, dem Mund und dem Rachen führen und auch den Tod durch Erstickten verursachen können.
 - Dieses Gerät ist nicht für den Gebrauch durch Personen (inklusive Kinder) mit eingeschränkten körperlichen oder geistigen Fähigkeiten bestimmt. Es darf auch nicht von Personen gebraucht werden, die nicht über das hierfür erforderliche Wissen und die nötige Erfahrung verfügen, sofern sie nicht durch eine für ihre Sicherheit zuständige Person im Gebrauch des Geräts unterrichtet und von dieser überwacht werden.
 - Keine entzündlichen Flüssigkeiten in der Nähe des Geräts aufbewahren.

Längere Nichtverwendung

- Wenn Sie vorhaben, die Maschine längere Zeit nicht zu verwenden, empfiehlt es sich, Strom- und Wasseranschluss zu lösen und die Einfülltür etwas geöffnet zu lassen, um Geruchsbildung zu vermeiden.

Wichtig!

Dieses Gerät ist einfach zu bedienen.

Sie sollten jedoch vor der Inbetriebnahme diese Gebrauchsanleitung aufmerksam durchlesen und alle Anweisungen genau befolgen, um die besten Ergebnisse zu gewährleisten.

Die Gebrauchsanleitung enthält die zur richtigen Installation, Bedienung und Wartung erforderlichen Informationen und außerdem nützliche Ratschläge.

Der Hersteller haftet nicht für Schäden an Personen oder Sachen, die darauf zurückzuführen sind, dass die oben stehenden Vorschriften missachtet, unbefugte Änderungen an auch nur einem Teil vorgenommen oder nichtoriginale Ersatzteile verwendet wurden.

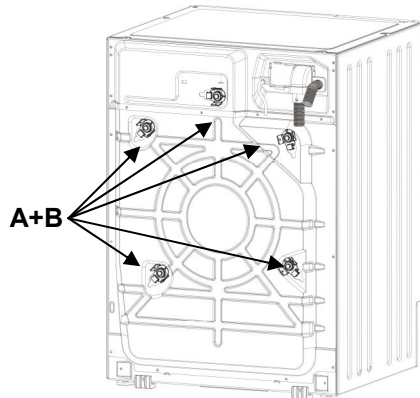
2. INSTALLATIONSANLEITUNG

Wichtig!

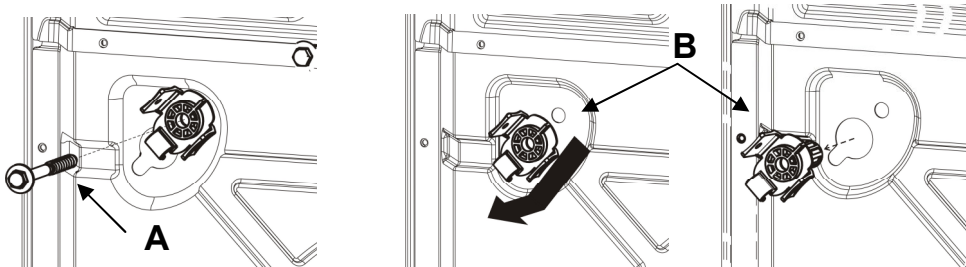
Das Gerät muss vom Fachmann nach den geltenden Bestimmungen installiert werden.
Der Waschvollautomat hat ein beträchtliches Gewicht. Daher ist beim Anheben Vorsicht geboten.

2.1 ENTFERNEN DER VERPACKUNG

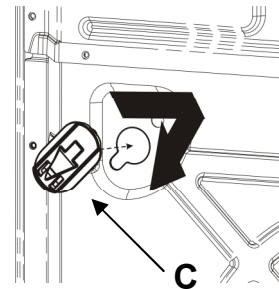
Die federnd aufgehängte Baugruppe wird für den Transport auf der Rückseite des Waschvollautomaten mit den Schrauben (A) und den zugehörigen Kunststoffabstandhaltern (B) blockiert. Wenn man die Schrauben ausschraubt, kann man das Netzkabel verwenden.



1. **Alle** Schrauben mit dem 10mm-Schraubenschlüssel ausschrauben.
2. **Alle** Schrauben (A) auf der Rückseite entfernen.
3. **Alle** Kunststoffabstandhalter (B) entfernen.



4. Um zu verhindern, dass Spritzwasser in die Maschine eindringt und dass spannungsführende Teile berührt werden können, **alle** beiliegenden Plastikstopfen (C) einsetzen.

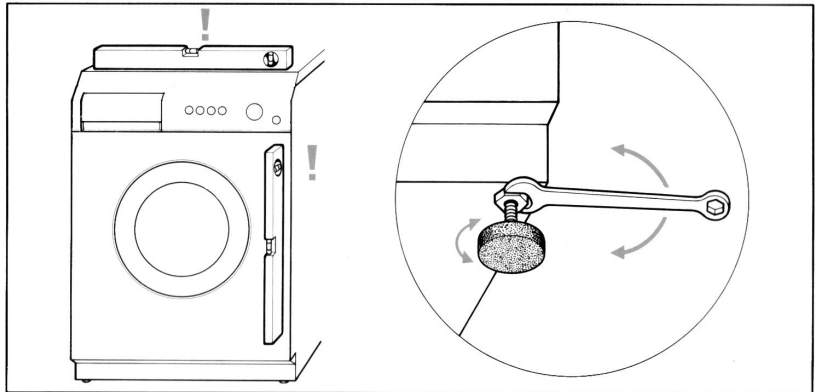


Achtung!

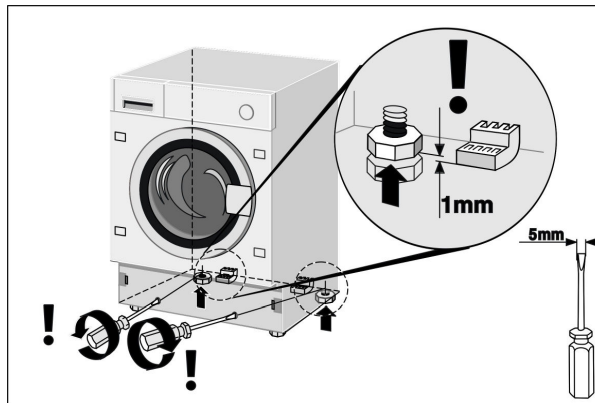
- Die Maschine **nicht** auf die Seite legen und nicht auf den Kopf stellen.
- Es empfiehlt sich, alle Transportsicherungen aufzuheben, damit sie wieder angebracht werden können, falls die Maschine erneut transportiert werden muss.

2.2 AUFSTELLUNG UND NIVELLIERUNG

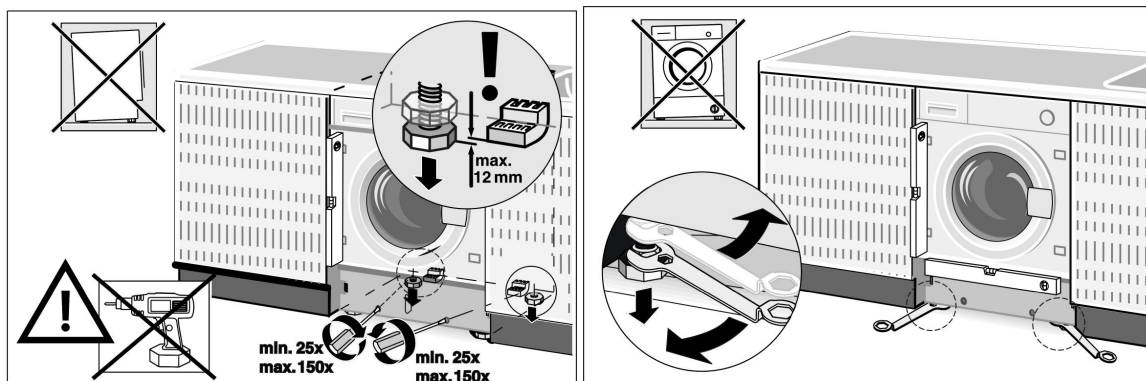
1. Die Maschine am vorgesehenen Ort aufstellen.
2. Die Maschine mit einer Wasserwaage sorgfältig in beiden Richtungen waagrecht ausrichten. Hierzu bei Bedarf die Höhe der FüÙe regulieren. Nach dem Nivellieren die FüÙe mit den Gegenmuttern blockieren.



3. Wenn die Maschine **auf der Rückseite über verstellbare FüÙe** verfügt, ist darauf zu achten, dass der hintere Teil der Maschine beim Einbau nicht auf den FüÙen, sondern auf den hierfür vorgesehenen Kufen steht. Man muss daher vor dem Einbauen der Maschine in die Einbauküche sicherstellen, dass die hinteren FüÙe vollständig eingeschraubt sind, damit sie nicht beschädigt werden, wenn die Maschine in das Möbel geschoben wird.



Nachdem die Maschine in das Möbel geschoben wurde, muss man die hinteren FüÙe ausschrauben, damit die Maschine nicht mehr auf den Kufen ruht. Nach dem Ausschrauben der hinteren FüÙe die Maschine Nivellieren und die vorderen FüÙe blockieren.



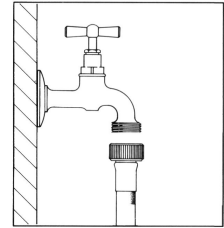
Der Zulauf- und der Ablaufschlauch können nach rechts und links gedreht werden, um die optimale Installation zu ermöglichen.

Achtung!

- **Dieser Vorgang sollte sehr sorgfältig ausgeführt werden, damit der Waschvollautomat beim Betrieb nicht vibriert, keine lauten Geräusche entwickelt und nicht verrutscht.**
- **Wenn die Maschine auf einem Teppichboden aufgestellt wird, ist darauf zu achten, dass die Öffnungen auf der Unterseite des Waschvollautomaten nicht verstopft werden.**
- Außerdem ist sicherzustellen, dass der Waschvollautomat während des Betriebs keine Mauern, Wände, Möbel und dergleichen berührt.
- Die Maschine darf nicht hinter eine blockierbaren Tür, einer Schiebetür oder einer Tür mit auf der gegenüberliegenden Seite angebrachten Scharnieren installiert werden.

2.3 WASSERANSCHLUSS

1. Sicherstellen, dass der Wasserdruck innerhalb der folgenden Werte liegt: **0,05-0,9MPa**. Ist der Druck höher, muss ein Druckminderer installiert werden.
2. Den **Kaltwasser**-Zulaufschlauch (**blaue** Überwurfmutter) an den Kaltwasserhahn mit $\frac{3}{4}$ "-Gasgewinde anschließen. Darauf achten, die Überwurfmutter fest zu verschrauben, damit der Anschluss dicht ist. Der Wasserzulaufschlauch darf nicht geknickt oder gequetscht sein. Er darf auch nicht verkürzt oder durch einen anderen Schlauch ersetzt werden. Die Gewinde müssen stets von Hand verschraubt werden.
3. Bei **Warmwasserversorgung** darf die Wassertemperatur 60°C nicht überschreiten und der Schlauch mit der **roten** Überwurfmutter muss an den Warmwasserhahn angeschlossen werden.

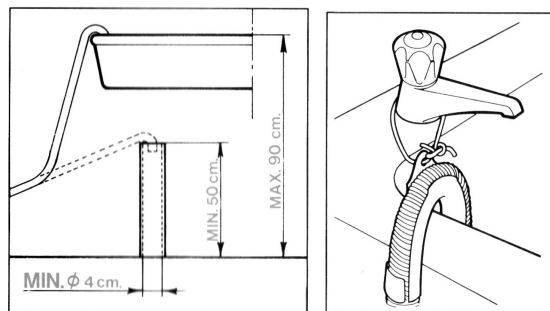


Achtung!

- Wenn die Maschine an neue bzw. längere Zeit nicht verwendete Wasserleitungen angeschlossen wird, muss man vor dem Anschließen des Zulaufschlauchs etwas Wasser auslaufen lassen, um die Leitungen zu spülen. Hierdurch verhindert man, dass Sand und sonstige Verunreinigungen die zum Schutz der Wasserzulaufventile vorgesehenen Filter der Maschine verstopfen.
- Es muss der mit der Maschine gelieferte neue Schlauch verwendet werden. Der alte Zulaufschlauch darf nicht mehr verwendet werden.

2.4 ABWASSERANSCHLUSS

1. Das Ende des Ablaufschlauchs in ein Abwasserrohr mit einem Innendurchmesser von mindestens 4 cm und auf einer Höhe zwischen 50 und 90 cm schieben bzw. mit Hilfe des Plastikkrümmers in ein Waschbecken oder eine Badewanne einhängen und sichern.



2. In jedem Fall sicherstellen, dass das Ende des Ablaufschlauchs gut befestigt ist, damit der Schlauch nicht durch die Rückstoßkraft des Wassers verrutscht.

Achtung!

- Der Schlauch darf nicht geknickt oder gequetscht sein, damit das Wasser ordnungsgemäß abfließen kann.
- Eine eventuelle Verlängerung des Ablaufschlauchs darf höchstens 1 m lang sein, muss denselben Innendurchmesser haben und darf keine Verengungen aufweisen.
- Das Ende des Ablaufschlauchs darf keinesfalls in Wasser eingetaucht sein.

2.5 STROMANSCHLUSS

Bevor der Netzstecker in die Steckdose gesteckt wird, ist Folgendes sicherzustellen:

1. Die Netzspannung muss dem Wert entsprechen, der auf dem Typenschild angegeben ist, dass sichtbar ist, wenn man die Einfülltür öffnet. Die installierte Leistung und der Bemessungsstrom der Sicherungen sind auf dem Typenschild angegeben.
2. Der Zähler, die Druckminderventile, die Zulaufleitung und die Steckdose müssen so ausgelegt sein, dass sie die auf dem Typenschild angegebene maximale Belastung aushalten.
3. Die Steckdose und der Netzstecker der Maschine müssen desselben Typs sein. Es dürfen keine Reduzierstücke, Mehrfachsteckdosen, Adapter oder Verlängerungen verwendet werden, um eine Überhitzung und folglich Brandgefahr zu vermeiden.
Wenn die Steckdose nicht für den mitgelieferten Netzstecker geeignet ist, muss man sie durch eine Steckdose des geeigneten Typs ersetzen.

Achtung!

- Der Netzstecker muss nach der Installation bequem zugänglich sein.
- **Das Gerät muss unbedingt geerdet werden.** Den Netzstecker nur an eine Steckdose mit wirksamer Erdung anschließen.

Unsere Gesellschaft haftet nicht für Schäden an Personen oder Sachen, die auf eine mangelnde oder fehlerhafte Erdung zurückzuführen sind. Ein fachgerechter Stromanschluss gewährleistet die maximale Sicherheit.

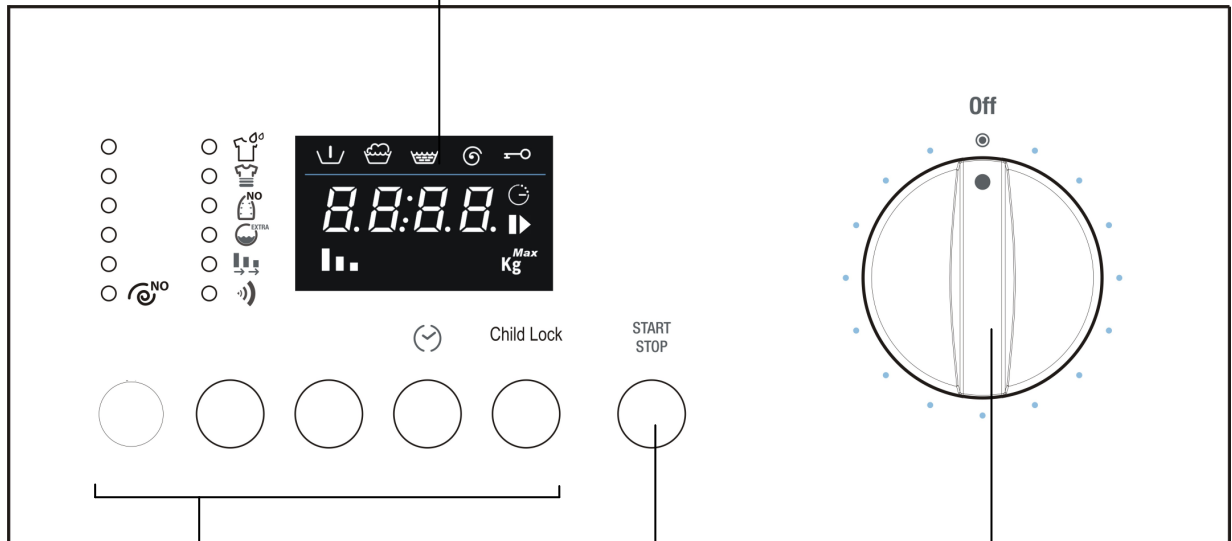
- Dieses Gerät entspricht den Anforderungen der Richtlinie 89/336/EWG vom 3.5.89 (inklusive der Änderungsrichtlinie 92/31/EWG) zur elektromagnetischen Verträglichkeit.
- Wenn das Netzkabel beschädigt ist, darf es nur durch ein Originalnetzkabel ersetzt werden, das beim Kundendienst erhältlich ist.
- **Den Netzstecker nicht mit nassen Händen aus der Steckdose ziehen bzw. in die Steckdose stecken.**
- **Nicht am Netzkabel ziehen, um den Netzstecker aus der Steckdose zu ziehen, sondern den Netzstecker fassen und herausziehen.**

3. BESCHREIBUNG DER BEDIENELEMENTE

3.1 BEDIENBLENDE

Alle Bedien- und Überwachungselemente des Geräts befinden sich auf der vorderseitigen Bedienblende.

Display: Es zeigt die Einstellungen an (Schleuderdrehzahl, Programmstatus, Flexi Time, Aktivierung der Kindersicherung, empfohlenes Höchstgewicht). Die Einstellungen können mit den darunter befindlichen Tasten geändert werden.



Tasten (von links nach rechts):
Wahl der Schleuderdrehzahl
Optionenwahl
Option bestätigen
Startverzögerung
Child Lock




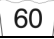

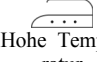
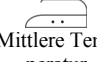
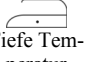

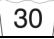












Taste Start/Pause:
 Zum Starten und Stoppen der Waschprogramme.

Programmwahlschalter
 Zum Ein- und Ausschalten des Waschvollautomaten und zum Wählen des Programms. Er kann in beide Richtungen gedreht werden. Während der Ausführung der Programme kann der Wahlschalter nicht verstellt werden.

4. GEBRAUCH DES GERÄTS


4.1 VORBEREITEN DER WÄSCHE

- Sortieren Sie die Wäsche nach Gewebetyp und Farbfestigkeit.
- Waschen Sie weiße Wäsche getrennt von Buntwäsche. Es empfiehlt sich, neue farbige Wäschestücke beim ersten Mal separat zu waschen. Normalerweise sind die Wäschestücke mit einem Pflegeetikett versehen, das nützliche Angaben zur geeigneten Art ihrer Behandlung enthält. Nachstehend finden Sie eine kurze Erläuterung der Symbole, die sich auf diesen Pflegeetiketten befinden können.

WASCHEN		BLEICHEN			
 90	Waschen max. 90°C	 Bleichen		 Nicht bleichen	
 60	Waschen max. 60°C				
WASCHEN		BÜGELN			
 40	Waschen max. 40°C	 Hohe Temperatur	 Mittlere Temperatur	 Tiefe Temperatur	 Nicht bügeln
 30	Waschen max. 30°C				
WASCHEN		TROCKENREINIGUNG			
 60	Schonendes Waschen max. 60°C	 Alle Lösungen	 Alle außer Trichloräthylen	 Benzin Avio und R113	 Keine Trockenreinigung
 40	Schonendes Waschen max. 40°C				
 30	Schonendes Waschen max. 30°C				
WASCHEN		TROCKNEN NACH WÄSCHE			
	Handwäsche	 Hohe Temperatur	 Temperatur unter 60°C	 Nicht trocknen	
	Nicht waschen				

Achtung!

- Ungesäumte oder eingerissene Wäschestücke sollten Sie nicht in der Maschine waschen, da sie ausfransen könnten.
- Da Fremdkörper die Kleidungsstücke und auch Teile des Waschvollautomaten beschädigen können, sollten Sie Hosen- und Hemdentaschen leeren und nach außen kehren sowie Vorhangrollen von den Gardinen lösen oder die Gardinen in einem Netzbeutel waschen.
- Geben Sie kleine Wäschestücke (Gürtel, Taschentücher, Socken, verstärkte Büstenhalter usw.) zum Waschen in der Maschine in einen Beutel aus weißem Stoff. Schließen Sie Druckknöpfe und Reißverschlüsse und befestigen Sie lose Knöpfe.
- Bei geeigneter Waschtemperatur sind die modernen Waschmittel normalerweise in der Lage, die Flecken aus den Geweben zu entfernen. Doch schwierige Flecken wie Gras-, Obst-, Eier, Blut-, oder Tintenflecken sollten vor dem Waschen vorbehandelt werden. **Es gibt im Handel zahlreiche Fleckentferner für die verschiedenen Gewebearten. Auf jeden Fall empfiehlt es sich, Flecken sofort zu entfernen oder zu verdünnen, denn je älter sie sind, desto schwieriger lassen sie sich entfernen.**
- Werden die Textilpflegesymbole nicht beachtet, kann die Wäsche Schaden nehmen.**

Wolle – Nur die mit dem Wollsiegel  versehene reine Schurwolle oder Wollwaren mit dem Pflegeetikett <<einlauffest, für die Waschmaschine geeignet>> können mit dem speziellen Programm in der Maschine gewaschen werden. Andere Wollarten sollten von Hand gewaschen oder trockengereinigt werden.

4.2 ÖFFNEN DER EINFÜLLTÜR

Das Gerät verfügt über eine Sicherheitsvorrichtung, die das Öffnen der Einfülltür verhindert, während das Programm läuft.

- Vergewissern Sie sich, dass das Wasser vollständig abgepumpt wurde und dass die Trommel stillsteht.**

Achtung!

- Wenn Sie das Waschprogramm unterbrechen, müssen Sie je nach der Temperatur, die in der Maschine erreicht wurde, zwischen 3 und 15 Minuten abwarten.

Achtung!

Wenn mit hoher Temperatur gewaschen wurde, kann das Wasser noch kochend heiß sein. Öffnen Sie keinesfalls die Einfülltür, wenn sich noch Wasser in der Trommel befindet!

4.3 WÄSCHELADUNG

Um **Energie zu sparen**, empfiehlt es sich, nach Möglichkeit **jeweils eine ganze Maschinenladung mit den verschiedenen Gewebearten zusammenzustellen**. Die Wäsche lose einfüllen und dabei große und kleine Wäschestücke abwechseln. Am Anfang ist es empfehlenswert, die Wäschefüllung zu wiegen. Später reicht dann die erworbene.

4.4 EINFÜLLEN DER WÄSCHE

1. Öffnen Sie die Einfülltür und verteilen Sie die Wäsche gleichmäßig und lose in der Trommel. Große und kleine Wäschestücke sollten Sie nach Möglichkeit abwechseln.
2. Die maximale Beladungsmenge des Geräts, zu der diese Gebrauchsanleitung gehört, beträgt **7kg Wäsche** pro Waschgang. Werden größere Mengen eingefüllt, beeinträchtigt dies das Waschergebnis und führt unter Umständen zu Betriebsstörungen der Maschine.
3. **Um Energie zu sparen, sollten Sie jeweils eine ganze Maschinenladung mit den verschiedenen Gewebearten zusammenstellen**, wobei die Mengenangaben in der dieser Gebrauchsanleitung beige-fügten „Programmtabelle“ zu beachten sind.
4. Schließen Sie die Einfülltür, indem Sie sie gegen den Rahmen drücken, bis das Einschnappen zu hören ist. Achten Sie hierbei darauf, dass keine Wäschestücke zwischen Einfülltür und Gummidichtung eingeklemmt werden.

Achtung!

- Wenn die Einfülltür nicht richtig geschlossen ist, verhindert eine Sicherheitsvorrichtung den Start des Waschvollautomaten.
- **Überschreiten Sie keinesfalls die maximale Beladungsmenge: Eine zu große Beladung verschlechtert das Waschergebnis.**

4.5 EINFÜLLEN DES WÄSCHMITTELS UND DES ZUSATZMITTELS

Die Waschmittelschublade ist in drei Kammern unterteilt, die mit den folgenden Symbolen gekennzeichnet sind:



Waschmittel für die Vorwäsche

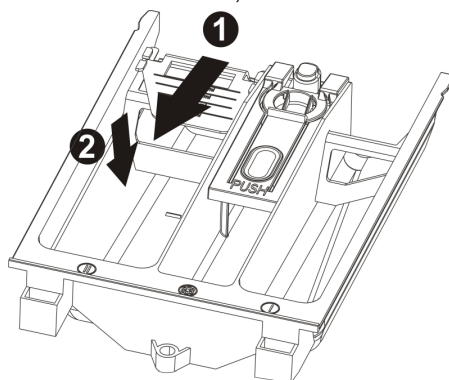


Waschmittel für die Hauptwäsche



Weichspüler, Wäschestärke, Zusatzmittel usw. (z.B. Pflegeprodukte). Die Zusatzmittel werden während des letzten Spülgangs automatisch in den Laugenbehälter gespült.

In der Waschmittelschublade befindet sich ein Einsatz für die Verwendung von Flüssigwaschmitteln. Wenn Sie ihn verwenden möchten, müssen Sie ihn nach vorne ziehen und dann nach unten drücken.



Füllen Sie das Waschmittel und die eventuellen Zusatzmittel nach den Angaben in der dieser Gebrauchsanleitung beige-fügten „Programmtabelle“ in die hierfür vorgesehene Waschmittelschublade.

Der Flüssigkeitsstand darf auf keinen Fall die Maximum-Markierung überschreiten, da sich andernfalls die Kammern zu schnell leeren würden.

Verdünnen Sie dickflüssige Zusatzmittel vor dem Einfüllen in die entsprechende Kammer mit etwas Wasser, damit der Siphon nicht verstopft wird.

Verwenden Sie ausschließlich Waschmittel mit Schaumregulatoren, die für Waschmaschinen geeignet sind.

Bestimmen Sie die Waschmittelmenge in Abhängigkeit von der Wasserhärte, der Wäschemenge und dem Verschmutzungsgrad der Wäsche.

So erhalten Sie das gewünschte Waschergebnis und einen optimalen Waschmittelverbrauch.

Auf den Waschmittelpackungen ist die Dosierung für 4 Härtegrade und eine Wäschemenge von 4-5 kg bei normaler Verschmutzung angegeben.

Beim zuständigen Wasserwerk können Sie Informationen über den Härtegrad des Wassers einholen.

Wasserhärte

Härtegrad	Grad Französische Härte fH	Grad Deutsche Härte dH
Weich	bis 15°	bis 8°
Mittel	15° - 25°	8° - 14°
Hart	25° - 40°	14° - 22°
Sehr hart	über 40°	über 22°

4.6 DOSIERUNG VON PULVERWASCHMITTEL

Normal verschmutzte Wäsche

1. Wählen Sie ein Programm ohne Vorwäsche.
2. Füllen Sie die auf der Waschmittelpackung angegebene Gesamtmenge Waschmittel in die Kammer für die Hauptwäsche der Waschmittelschublade.

Stark verschmutzte Wäsche

1. Wählen Sie ein Programm mit Vorwäsche.
2. Füllen Sie $\frac{1}{4}$ der empfohlenen Waschmittelmenge in die Kammer für die Vorwäsche und $\frac{3}{4}$ des Waschmittels in die Kammer für die Hauptwäsche.

Achtung!

- Wenn Mengenangaben für empfindliche Wäsche aus synthetischen Fasern fehlen, $\frac{1}{2}$ bis $\frac{2}{3}$ der für widerstandsfähige Baumwollgewebe angegebenen Waschmittelmenge einfüllen.
- Für das Wollprogramm sollten ausschließlich neutrale Wollwaschmittel verwendet werden.
- Dosieren Sie das Waschmittel nach den Angaben des Waschmittelherstellers.

4.7 DOSIERUNG VON FLÜSSIGWASCHMITTEL

1. Füllen Sie den zum Flüssigwaschmittelbehälter gehörigen Dosierbecher mit der erforderlichen Waschmittelmenge und gießen Sie sie in die Trommel. Alternativ können Sie die Kammer für die Hauptwäsche der Waschmittelschublade verwenden, wenn Sie den entsprechenden Einsatz eingesetzt haben.
2. Die Skala auf dem roten Einsatz dient als Dosierhilfe für das Flüssigwaschmittel.

Achtung!

- Flüssigwaschmittel können in der vom Hersteller vorgesehenen Menge **nur für die Hauptwäsche, also nur für Programme ohne Vorwäsche, verwendet werden.**

4.8 ENTKALKUNGSMITTEL

Die Entkalkungsmittel können nach den Angaben der Hersteller in den Kammern für die Hauptwäsche und die Vorwäsche hinzugefügt werden.


Füllen Sie zuerst das Waschmittel und dann das Entkalkungsmittel in die Kammern.

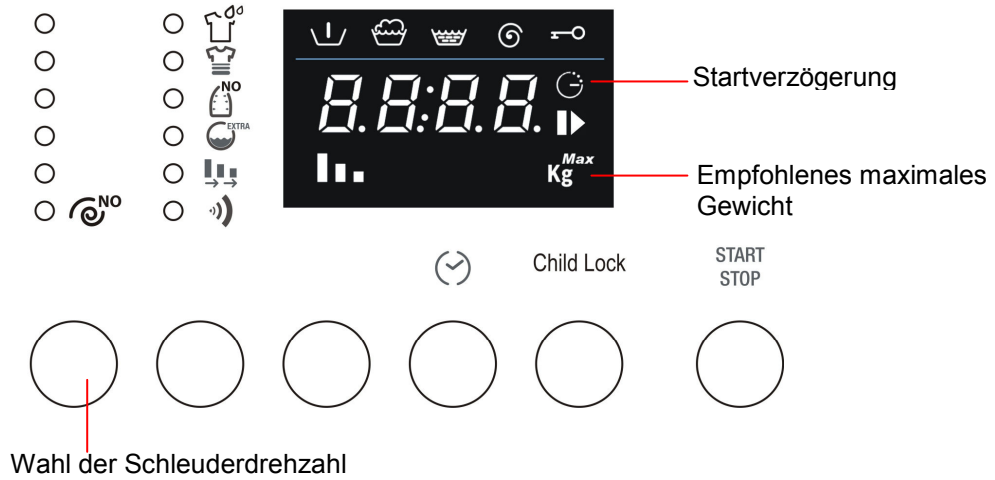
4.9 PROGRAMME UND FUNKTIONEN

Wählen Sie das für die Gewebeart geeignete Programm anhand der „Programmtabelle“ aus, die dieser Gebrauchsanleitung beiliegt. (Innerhalb der Tasche mit Zubehör)

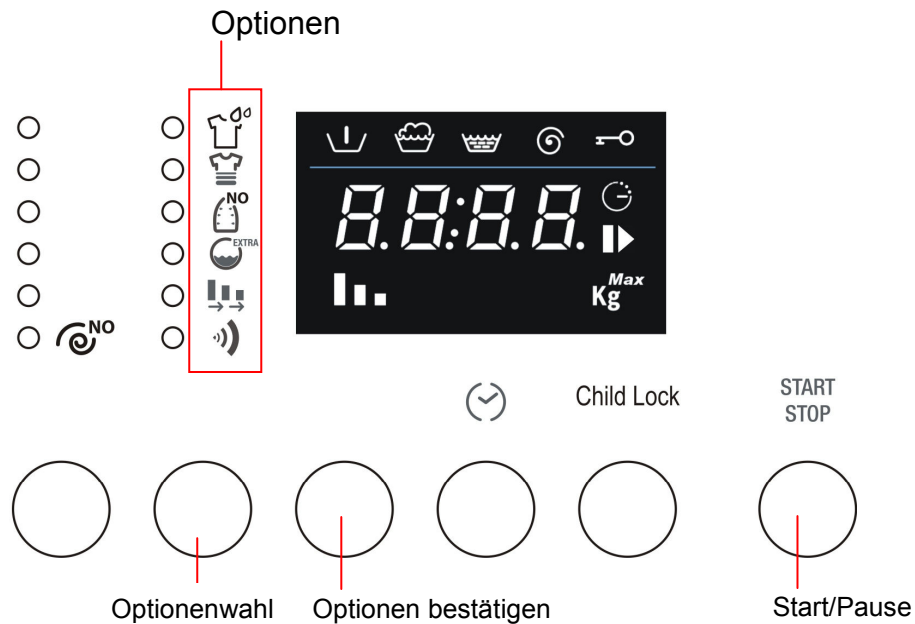
4.10 EINSCHALTEN DER MASCHINE UND WÄHLEN DES WASCHPROGRAMMS

Zum Einschalten und Auswählen des Programms verfahren Sie bitte folgendermaßen:

1. Drehen Sie den Programmwahl­schalter in eine der beiden Richtungen. So schalten Sie den Waschkollauto­maten ein.
2. Wählen Sie dann das Waschprogramm. Auf dem Display werden abwechselnd die bis zum Programmende verbleibende Zeit und das empfohlene Gesamtgewicht für das gewählte Programm angezeigt. Dazu leuchten die zur jeweiligen Anzeige gehörigen Symbole auf dem Display auf.
3. Die Standardeinstellungen für die Schleuderdrehzahl werden angezeigt. Sie können die anfänglichen Einstel­lungen mit der Taste unter der Abfolge der Schleuderdrehzahlen ändern.
4. Die Schleudereinstellung  bedeutet, dass das Programm ohne Schleudern ausgeführt und mit vollem Laugenbehälter gestoppt wird. Wählt man diese Einstellung, führt die Maschine nicht das Endschleudern aus und am Ende des Waschprogramms befindet sich noch Wasser im Laugen­behälter.



4.11 WAHL UND BESTÄTIGUNG DER OPTIONEN



1. Mit der Taste Optionenwahl können Sie nacheinander die folgenden Optionen wählen (von oben nach unten):

Vorwäsche: Dies ist eine zusätzliche Phase vor der Hauptwäsche von rund 20 Minuten Dauer bei einer Temperatur von 35°C. Geeignet für besonders stark verschmutzte Wäsche.

Intensiv: Die maximale Temperatur beträgt 60°C und die Waschphase dauert länger, um den Wirkungsgrad der im Waschmittel enthaltenen Enzyme zu erhöhen. Geeignet für empfindliche, aber verschmutzte Wäsche.

Bügelleicht: Diese Option vermindert die Knitterbildung, so dass die Wäsche leichter zu bügeln ist.

Water plus: Zum Erhöhen der Wassermenge beim Waschen und Spülen.

Als Alternative **Sonderspülgang:** Mit dieser Option führt das gewählte Waschprogramm einen zusätzlichen Spülgang aus.

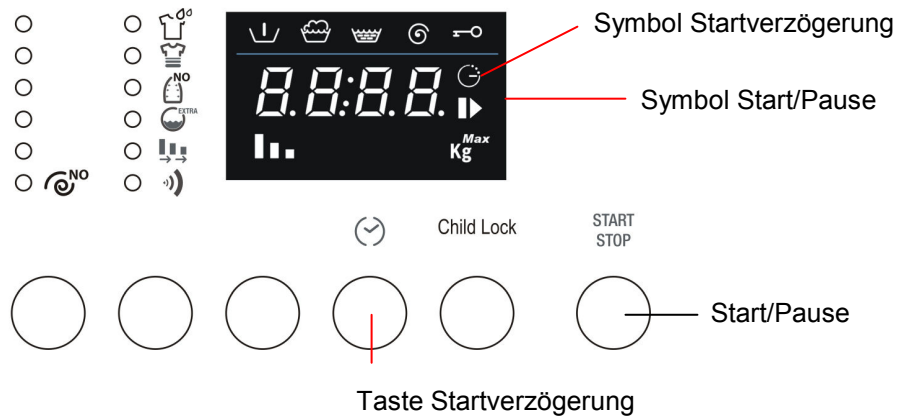
Flexi Time: Zum Verkürzen der Programmdauer. Das Symbol leuchtet vollständig, wenn die normale Dauer des gewählten Programms eingestellt ist. Wählt man diese Option, kann man durch wiederholtes Drücken der Taste Set eine mittlere Dauer, eine Mindestdauer und schließlich wieder die normale Dauer einstellen.

Als Alternative **Kurzprogramm:** Zum Verkürzen der Programmdauer. Für kleine Mengen gering verschmutzter Wäsche.

Summer: Zum Aktivieren bzw. Deaktivieren des Signaltons am Programmende. Als Standardeinstellung ist die Option aktiviert.

2. Zum Bestätigen der gewählten Option müssen Sie lediglich die Taste „Optionen bestätigen“ drücken. Die LED der Option bleibt dann ständig eingeschaltet.
3. Zum Abwählen einer Option müssen Sie lediglich die Option mit der Taste Optionenwahl erneut anwählen und dann die Taste „Optionen bestätigen“ drücken. Um alle zuvor bestätigten Optionen auf einmal abzuwählen, müssen Sie die Taste „Optionen bestätigen“ 4 Sekunden lang gedrückt halten.
4. Die Einstellung der Option Summer wird auch bei den anschließenden Programmen beibehalten. Nur beim Programm Nachtbetrieb wird sie automatisch deaktiviert.

4.12 RESTZEIT

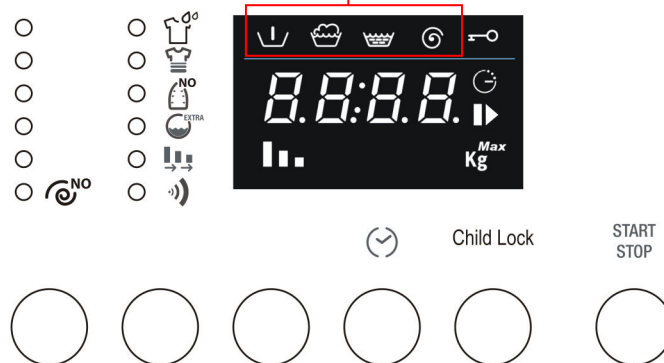


1. Durch wiederholtes Drücken der Taste Startverzögerung können Sie festlegen, wann das Waschprogramm enden soll. Die Restzeit bis zum Ende des Programms berücksichtigt die normale Dauer des Waschprogramms, die vorgenommenen Einstellungen (Temperatur, Schleuderdrehzahl und Optionen), welche die normale Dauer des Programms verkürzen oder verlängern können, und die Wartezeit vor dem Start, die Sie eingestellt haben.
2. Nachdem die Startverzögerung eingestellt wurde, bleibt das Symbol auf dem Display ständig eingeschaltet.
3. Zum Deaktivieren der Funktion Startverzögerung müssen Sie wiederholt die Taste drücken, bis auf dem Display 0 angezeigt wird.
4. Bis zum Start des Programms blinkt das Symbol Start/Pause. Nach dem Start des Programms leuchtet das Symbol ständig.

4.13 STARTEN DES WASCHPROGRAMMS

1. Nachdem Sie die gewünschten Einstellungen vorgenommen haben, drücken Sie die Taste Start/Pause, um das Waschprogramm zu starten.
2. Nach dem Start wird auf dem Display die Zeit bis zum Programmende angezeigt und das Symbol Start/Pause auf dem Display leuchtet ständig.
3. Während der Ausführung des Waschprogramms leuchten die Symbole auf, welche die verschiedenen Phasen anzeigen:

Symbole der Phasen eines Programms: Vorwäsche, Hauptwäsche, Spülen und Endschleudern.



4.14 UNTERBRECHEN ODER ÄNDERN DES WASCHPROGRAMMS


Das Waschprogramm kann während seiner Ausführung jederzeit unterbrochen werden:

- Halten Sie die Taste „Start/Pause“ ungefähr 3 Sekunden gedrückt: Auf dem Display werden abwechselnd das Kürzel PAUS (für 1 Sekunde) und die Restzeit (für 1 Sekunde) angezeigt. Die Kontrolllampe Start/Pause beginnt zu blinken.
Sie können das Programm auch unterbrechen, indem Sie den Programm-/Temperaturwahlschalter während der Ausführung des Programms drehen.
- Wenn Sie das Waschprogramm ändern wollen, müssen Sie lediglich das neue Programm mit dem Programmwahlschalter einstellen, ohne die Maschine eigens auf Pause zu schalten. Das neue Waschprogramm wird ab dem Start komplett ausgeführt. Wenn beim vorherigen Programm schon Wasser in den Laugenbehälter gefüllt wurde, beginnt das neue Programm ohne die Wasserzulaufphase.
- Um das Programm fortzusetzen, müssen Sie erneut die Taste Start/Pause drücken.

4.15 PROGRAMMENDE

Die Waschprogramme werden automatisch beendet. Auf dem Display erscheint dann die Anzeige END und die Kontrolllampe „Restzeit“ leuchtet nicht mehr.

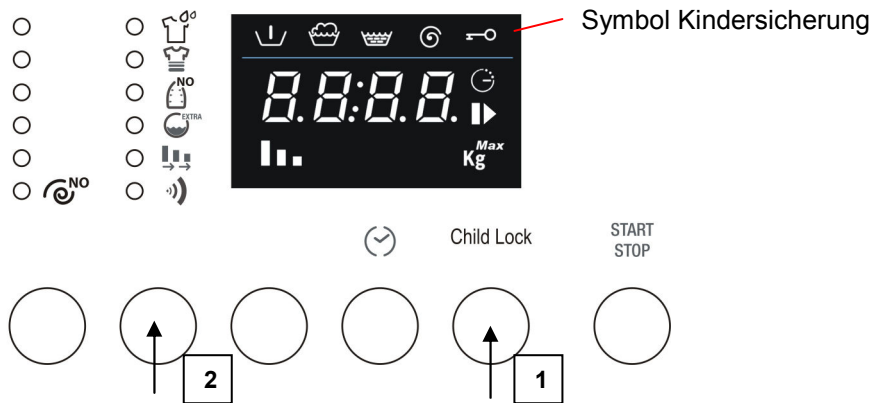
- Schalten Sie das Gerät aus, indem Sie den Programmwahlschalter auf OFF drehen.**
- Nehmen Sie die Wäsche aus der Trommel.
- Lassen Sie die Einfülltür etwas geöffnet, damit der Innenraum des Waschvollautomaten trocknen kann.
- Drehen Sie den Wasserhahn zu.**

Wenn Sie bei den anfänglichen Einstellungen das Endschleudern deaktiviert haben (Symbol , Schleuderdrehzahl 0), erscheint am Ende des Waschprogramms auf dem Display die Anzeige STOP abwechselnd mit der Anzeige ---- (Schleuderdrehzahl 0) und die Kontrolllampe der Schleuder leuchtet.

Zum Abpumpen des Wassers und Schleudern müssen Sie zweimal die Taste „Schleudern“ drücken. Die Maschine setzt dann das Programm mit dem Abpumpen und dem Schleudern fort. Zum Wählen der Schleuderdrehzahl drücken Sie die Taste, bis die gewünschte Schleuderdrehzahl angezeigt wird. Wenn Sie das im Laugenbehälter befindliche Wasser abpumpen wollen, ohne die Wäsche zu Schleudern, drücken Sie die Taste „Schleudern“, bis Schleuderdrehzahl 00 erscheint, was bedeutet, dass das Abpumpen ohne Schleudern ausgeführt wird.

4.16 KINDERSICHERUNG

- Diese Funktion verhindert, dass die Optionen, die Temperaturen, die Schleuderdrehzahl und das Waschprogramm während der Programmausführung verändert werden können.

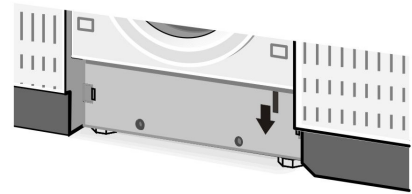


- Zum Aktivieren der Funktion Kindersicherung müssen Sie die Taste „Child Lock“ (1) gedrückt halten und innerhalb von 3 Sekunden auch die Taste „Optionenwahl“ (2) drücken.
- Das Aufleuchten des Symbols Kindersicherung zeigt an, dass die Funktion aktiviert wurde.
- Zum Deaktivieren der Funktion verfahren Sie in derselben Weise.

4.17 NOTENTRIEGELUNG

Sollte der Strom ausgefallen sein, können Sie die Einfülltür mechanisch entriegeln. Hierzu dient die Notentriegelung auf der Unterseite des Geräts:

- Drehen Sie den Schalter auf OFF und ziehen Sie den Netzstecker aus der Steckdose.
- Lassen Sie das Waschwasser ab (siehe Abschnitt 5.4).
- Ziehen Sie die Notentriegelung nach unten und öffnen Sie die Einfülltür.



Achtung! Verbrühungsgefahr: Vergewissern Sie sich vor dem Öffnen der Einfülltür, dass sich in der Maschine kein Wasser bzw. keine heiße Waschlauge befindet, das bzw. die beim Öffnen der Einfülltür Schäden verursachen kann.

Achtung: Öffnen Sie keinesfalls die Einfülltür mit der Notentriegelung, während sich die Trommel noch dreht.

5. REINIGUNG UND PFLEGE

Wichtig – Bevor Sie irgendeine Arbeit für die Reinigung oder Pflege des Geräts ausführen, müssen Sie den Netzstecker aus der Steckdose ziehen.

5.1 AUSSENREINIGUNG

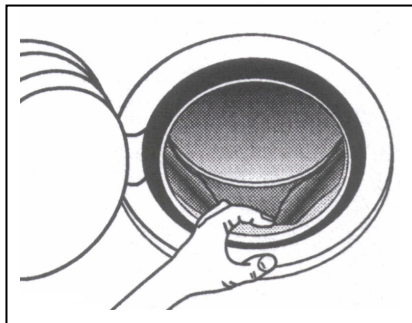
- Durch die regelmäßige Reinigung des Geräts bewahren Sie auf Dauer sein ursprüngliches Aussehen.
- Reinigen Sie das Gehäuse nur mit Seifenwasser und trocknen Sie es dann mit einem weichen Tuch ab.
- Die Kunststoffteile dürfen nur mit einem feuchten Tuch gereinigt werden.
- Verwenden Sie zur Reinigung keine scharfen Werkzeuge, keine Lösemittel und keine scheuernden Produkte, da hierdurch die Oberflächen beschädigt werden könnten.
- **Aus Sicherheitsgründen dürfen Sie den Waschvollautomaten keinesfalls mit einem Wasserstrahl reinigen.**

5.2 REINIGUNG DER TROMMEL

- Entfernen Sie eventuelle Rostflecken an der Trommel mit einem geeigneten Edelstahlreiniger und in besonders hartnäckigen Fällen mit sehr feinem Sandpapier.
- Verwenden Sie zum Entkalken des Waschvollautomaten nur Marken-Entkalkungsmittel mit Korrosionsschutz für Waschmaschinen.
- Beachten Sie unbedingt die Angaben des Herstellers zum Gebrauch und zur Dosierung.
- **Nach dem Entkalken und Beseitigen des Rosts in der Trommel einige Nachspülzyklen ausführen, um alle Säurereste zu beseitigen, welche die Maschine beschädigen könnten. Verwenden Sie keinesfalls Reiniger, die Lösemittel enthalten, da sonst die Gefahr besteht, dass sich Dämpfe bilden, die sich entzünden und explodieren können.**

5.3 REINIGUNG DER TÜRDICHTUNG

Vergewissern Sie sich regelmäßig, dass sich keine Spangen, Knöpfe, Nägel, Nadeln und dergleichen in den Falten der Dichtung der Einfülltür befinden.



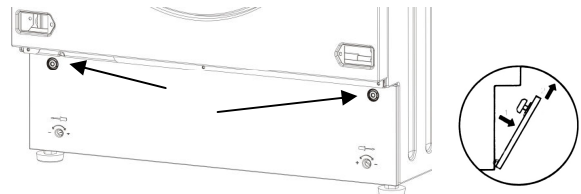
5.4 REINIGUNG DER LAUGENPUMPE

Die Laugenpumpe muss nur gereinigt werden, wenn sie durch Knöpfe, Spangen oder dergleichen blockiert wurde und das Wasser nicht mehr abpumpt.

Verfahren Sie in diesem Fall in der nachstehend beschriebenen Weise.

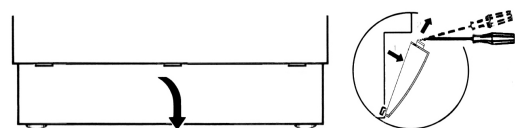
1. Ziehen Sie den Netzstecker aus der Steckdose, um die Maschine vom Stromnetz zu trennen.

2. Je nach Modell müssen Sie dann wie folgt verfahren:
- Einbaugerät/voll integrierbar – Einen kleinen Schraubendreher als Hebel verwenden, um die in der Abbildung gezeigten Stopfen zu lösen. Dann die Sockelblende nach unten klappen und auf die Laugenpumpe zugreifen.



Freistehendes Gerät – Einen kleinen Schraubendreher in die Schlitz auf der Vorderseite der Sockelblende einführen und eine Hebelkraft nach oben ausüben, um den oberen Teil der Sockelblende vom Gehäuse zu lösen.

Die Sockelblende etwas nach vorn neigen und nach oben ziehen, um sie vollständig zu entfernen.

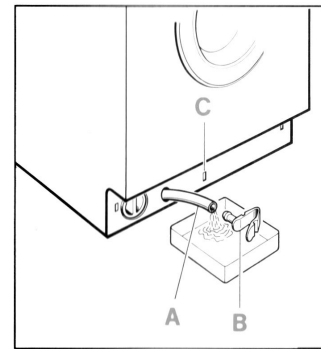


3. Ziehen Sie den Ablassschlauch „A“ heraus.

Achtung: Wenn der Schlauch warm ist, bedeutet das, dass das Wasser auch sehr heiß sein kann. Stellen Sie einen Behälter auf den Boden und entfernen Sie den Stopfen „B“, um das Wasser abzulassen.

Je nach der im Gerät enthaltenen Wassermenge müssen Sie den Behälter ggf. mehrmals entleeren.

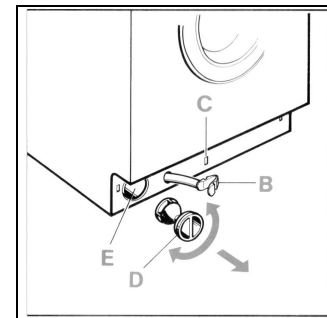
Wenn kein Wasser mehr austritt, den Schlauch wieder fest mit dem Stopfen „B“ verschließen.



4. Den Deckel der Pumpe „D“ abschrauben (nach links drehen).

Das Pumpengehäuse säubern und Fremdkörper aus ihm entfernen.

Kontrollieren Sie auch den Innenraum „E“ und vergewissern Sie sich, dass das Laufrad frei drehen kann. Sollten sich Fremdkörper in ihm verklemmt haben, müssen sie entfernt werden.



5. Schrauben Sie den Deckel der Pumpe wieder an.

Befestigen Sie den Ablassschlauch, indem Sie den Schnappverschluss in seine Aufnahme «C» einrasten.

Bringen Sie die Sockelblende wieder an. Hierzu müssen Sie je nach Modell wie folgt verfahren:

Einbaugerät/voll integrierbar – Die Sockelblende zuerst auf der Unterseite einsetzen, gegen das Gehäuse drücken und mit den Stopfen befestigen.

Freistehendes Gerät – Die Sockelblende zuerst auf der Unterseite einsetzen und dann gegen das Gehäuse drücken, bis sie einrastet.

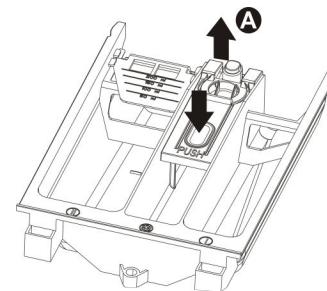
5.5 REINIGUNG DER WASCHMITTELSCHUBLADE

Die Waschmittelschublade sollte sauber von Verkrustungen bleiben.

Um die Reinigung zu erleichtern, kann die Waschmittelschublade vollständig aus ihrem Sitz genommen werden. Ziehen Sie hierzu die Schublade bis zum Anschlag heraus und drücken Sie dann auf die mit „PUSH“ gekennzeichnete Zone, um sie aus ihrem Sitz zu nehmen.

Entfernen Sie den Siphon «A» und reinigen Sie ihn mit warmem Wasser.

Setzen Sie den Siphon wieder bis zum Anschlag in seinen Sitz ein und säubern Sie die Waschmittelschublade von Waschmittlrückständen, bevor Sie sie wieder einsetzen.



5.6 REINIGUNG DER WASSERZULAUFFILTER

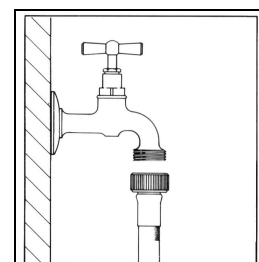
Die Maschine verfügt über einen Filter, der die Wasserzulaufventile schützt.

Der Filter befindet sich im Anschlussstück des Zulaufschlauchs, das an den Hahn angeschlossen wird.

Wenn kein oder nicht genug Wasser in den Waschvollautomaten einläuft, muss der Filter gereinigt werden.

Verfahren Sie zum Reinigen wie folgt:

- **Ziehen Sie den Netzstecker aus der Steckdose, um die Maschine vom Stromnetz zu trennen.**
- Drehen Sie den Wasserhahn zu.
- Schrauben Sie das Anschlussstück des Zulaufschlauchs vom Hahn.
- Nehmen Sie den Filter aus dem Anschlussstück des Zulaufschlauchs.
- Reinigen Sie den Filter mit Wasser und mit Hilfe einer Bürste.
- Achten Sie beim erneuten Anschrauben des Anschlussstücks des Zulaufschlauchs darauf, dass der Filter richtig sitzt.



6. HINWEISE ZU BETRIEBSSTÖRUNGEN

Dieses Gerät entspricht den geltenden Sicherheitsvorschriften für elektrische Geräte. Technische Kontrollen und Reparaturen dürfen aus Sicherheitsgründen ausschließlich vom Fachmann ausgeführt werden, um eine Gefährdung des Benutzers zu vermeiden.





Wenn das Gerät nicht richtig funktioniert, sollten Sie, bevor Sie den technischen Kundendienst rufen, zur Vermeidung von unnötigen Kosten selbst kontrollieren, ob alle in dieser Störungstabelle aufgeführten Vorgänge ausgeführt wurden.

- | | |
|---|---|
| 1 Die Maschine startet nicht | Sicherstellen, dass: <ul style="list-style-type: none"> - der Netzstecker richtig in der Steckdose steckt; - die Einfülltür richtig geschlossen ist; - die Taste „Start/Pause“ gedrückt wurde. |
| 2 Es läuft kein Wasser zu | Sicherstellen, dass: <ul style="list-style-type: none"> - der Netzstecker richtig in der Steckdose steckt; - die Einfülltür richtig geschlossen ist; - der Wasserhahn geöffnet ist; - die Filter des Wasserzulaufschlauchs nicht verstopft sind; - der Wasserzulaufschlauch nicht eingeklemmt oder geknickt ist. |
| 3 In der Trommel ist kein Wasser zu sehen | Dies ist keine Betriebsstörung.
Der Wasserstand ist tiefer als das Schauglas der Einfülltür, weil moderne Maschinen mit wenig Wasser die gleichen Wasch- und Spülergebnisse erzielen. |
| 4 Das Wasser wird nicht abgepumpt | Sicherstellen, dass: <ul style="list-style-type: none"> - der Ablaufschlauch nicht geknickt ist; - die Laugenpumpe nicht verstopft ist. |
| 5 Das Wasser wird nach dem letzten Spülgang der Waschprogramme für empfindliche Wäsche und Wolle nicht abgepumpt | Dies ist keine Betriebsstörung. Die Unterbrechung ist vom Waschprogramm vorgesehen, um Knitterbildung zu vermeiden.
Zum Abpumpen des Wassers nach den Anweisungen im Abschnitt (Programmende) verfahren. |
| 6 Die Maschine füllt und leert sich dauernd | Kontrollieren, ob das Ende des Ablaufschlauchs eine zu geringe Höhe hat. |
| 7 Starke Vibrationen beim Schleudern | Sicherstellen, dass: <ul style="list-style-type: none"> - die Maschine perfekt waagrecht steht; - der Waschvollautomat nicht zu nahe an Wänden oder Möbeln steht; - die Transportsicherung der internen federnd aufgehängten Baugruppe entfernt wurde. |
| 8 Es bildet sich zu viel Schaum im Laugenbehälter und tritt aus der Waschmittelschublade aus | Sicherstellen, dass: <ul style="list-style-type: none"> - das verwendete Waschmittel für Vollwaschautomaten geeignet und kein Handwaschmittel ist; - die in der Gebrauchsanleitung angegebene Waschmittelmenge und nicht mehr verwendet wurde. |
| 9 Wasser auf dem Fußboden | Sicherstellen, dass: <ul style="list-style-type: none"> - sich die Anschlüsse des Wasserzulaufschlauchs nicht gelockert haben; - das Ende des Ablaufschlauchs nicht verrutscht ist. |
| 10 Der Weichspüler wird nicht vollständig eingespült oder es bleibt zu viel Wasser in der Kammer stehen | Sicherstellen, dass die Siphons in der Waschmittelschublade richtig sitzen und dass sie nicht verstopft sind. |

- | | |
|---|--|
| 11 Die Maschine schleudert nicht | Die Unwuchtkontrolle hat angesprochen, weil die Wäsche nicht gleichmäßig in der Trommel verteilt ist. Wenn die Wäsche also am Programmende noch nass ist, empfiehlt es sich, sie von Hand gleichmäßig in der Trommel zu verteilen und nur das Schleuderprogramm zu wiederholen. |
| 12 Ablassen des Wassers aus dem Laugenbehälter | Falls der Strom ausgefallen ist oder der Waschvollautomat nicht funktioniert, kann man eine Notentleerung des im Laugenbehälter enthaltenen Wassers vornehmen. |
| 13 Die Wäsche wurde nicht richtig geschleudert | Die großen Wäschestücke haben sich zusammengerollt und sind nicht gleichmäßig in der Trommel verteilt. Es müssen stets große und kleine Wäschestücke zusammen gewaschen werden. |
| 14 Waschmittelreste auf der Wäsche | Viele phosphatfreie Waschmittel enthalten Substanzen, die sich nur schwer in Wasser lösen.
Das Programm „Spülen“ wählen oder die Wäsche ausbürsten. |
| 15 Das Waschergebnis ist unbefriedigend | <ul style="list-style-type: none"> - Wahrscheinlich wurde zu wenig oder ein falsches Waschmittel verwendet. - Hartnäckige Flecken wurden nicht vorbehandelt. - Es wurde eine falsche Temperatur eingestellt. - Zuviel Wäsche in der Trommel. |

FEHLERANZEIGE

Bei Störungen meldet die Maschine die Störung mit einem auf dem Display erscheinenden Fehlercode.


<i>Fehlercode</i>	<i>Beschreibung des Problems</i>
	Einfülltür nicht richtig geschlossen. Versuchen, die Einfülltür richtig zu schließen.
	Das Wasserschutzsystem hat angesprochen. Das Gerät vom Stromnetz trennen, den Wasserhahn schließen und den Kundendienst verständigen.
	Das Waschwasser läuft nicht ein. Siehe Punkt 2 der Störungsliste.
	Das Wasser wird nicht abgepumpt. Siehe Punkt 4 der Störungsliste.

Bei allen anderen Fehlercodes bitten wir Sie, das Gerät vom Stromnetz zu trennen, den Wasserhahn zu schließen und dann den Kundendienst zu verständigen.

Índice

1. Advertencias sobre seguridad y uso	2
2. Instrucciones para efectuar la instalación	5
3. Descripción de los mandos	8
4. Utilización de la máquina	9
5. Limpieza y mantenimiento	16
6. Advertencias para caso de anomalía y malfuncionamiento	18



Este aparato dispone de marca  conforme con lo dispuesto por la Directiva europea 2002/96/CE en materia de aparatos eléctricos y electrónicos (Waste Electrical and Electronic Equipment, WEEE).

Esta directiva establece las normas para la recogida y el reciclaje de los aparatos desechados, válidas en todo el territorio de la Unión Europea.

El símbolo del cubo con barras que aparece en el aparato o en el envase indica que, una vez concluida su vida útil, el producto debe ser desechado separadamente respecto de otros residuos. Por lo tanto, el usuario deberá entregar el aparato que ha concluido su vida útil a centros específicos de recogida diferenciada de los residuos eléctricos y electrónicos o bien, entregarlo al distribuidor en el momento de adquirir un aparato equivalente, a razón de uno por uno.

La adecuada recogida diferenciada del aparato en desuso para su envío sucesivo al reciclaje, al tratamiento o a su eliminación ecológicamente compatible, contribuye a evitar posibles efectos negativos para el ambiente y para la salud y favorece la reutilización o reciclaje de los materiales con los cuales son fabricados los aparatos.

La eliminación abusiva del producto de parte del usuario comporta la aplicación de las sanciones administrativas establecidas por la normativa vigente.



LÉANSE ATENTAMENTE LAS INSTRUCCIONES.

¡Advertencia!

Aconsejamos leer atentamente todas las instrucciones expuestas en este manual con el objeto de informarse sobre las condiciones más adecuadas para un correcto uso del aparato.

Es muy importante que este manual de instrucciones sea conservado con el aparato para poder consultarlo en el futuro.

En caso de venta o transferencia, controlar que el manual sea entregado junto con la máquina al nuevo poseedor o propietario.

1. ADVERTENCIAS PARA LA SEGURIDAD Y EL USO

¡Advertencia!

Estas advertencias se proporcionan por razones de seguridad.

Deben ser leídas atentamente antes de proceder a la instalación y uso del aparato.

Eliminación del embalaje

- No dejar abandonados los materiales del embalaje en el ambiente doméstico. Separar los diferentes materiales de descarte del embalaje y entregarlos al centro de recogida selectiva de residuos más cercano.
- Los materiales que componen el embalaje (bolsas de plástico, poliestirol, etc.) no deben quedar al alcance de los niños.

Eliminación del aparato a desguazar

- **El aparato destinado al desguace debe ser dejado inservible: se debe intervenir a fin de dejar inutilizable el viejo cierre de la portezuela de cristal (se evitará así que, jugando, los niños puedan encerrarse en el aparato, con consiguiente grave riesgo de muerte) y cortar el cable de la alimentación eléctrica después de desconectar el enchufe respecto de la toma de corriente.**
Una vez concluida la vida útil del aparato, deberá ser entregado a un centro de recogida selectiva.

Protección del ambiente

- Aprovechar la capacidad máxima aconsejada. No superar la carga máxima indicada.
- No utilizar la función de prelavado para ropa poco o normalmente sucia.
- Dosificar el detergente según las recomendaciones del fabricante
- Seleccionar la velocidad máxima de centrifugado compatiblemente con el tipo de lavado. Las centrifugadoras de alta velocidad reducen el tiempo de secado y el consumo de energía.

Instrucciones sobre seguridad

- Este aparato está previsto para uso de tipo doméstico y cumple con lo establecido por las Directivas 72/23/CEE y 89/336/CEE (incluidas las Directivas 92/31/CEE y 93/68/CEE) actualmente vigentes.
- Antes de la instalación y el uso léanse atentamente todas las sugerencias e instrucciones de este manual.
- Antes del uso controlar que el grupo cuba haya sido desbloqueado (véanse las instrucciones). Si el grupo cuba no ha sido desbloqueado, durante la centrifugación puede provocar daños a la lavadora y a los muebles o aparatos más próximos.
- Este Manual de Instrucciones es parte integrante del aparato: debe ser conservado cuidadosamente junto al aparato. La instalación deberá ser efectuada por personal cualificado y en conformidad con lo establecido por las normas vigentes. El aparato ha sido fabricado para desempeñar las siguientes funciones: lavado de ropa y tejidos declarados idóneos por el fabricante para ser tratados en máquina lavadora, según lo indicado en la respectiva etiqueta. Todo otro uso deberá considerarse como impropio. **El fabricante declinará toda responsabilidad por las consecuencias que deriven de usos diferentes de aquéllos indicados.**
- La placa de identificación con los datos técnicos, el número de matrícula y el marcado está visiblemente posicionada en la parte que queda a la vista al abrir la portezuela de cristal. **Esta placa no debe ser retirada por ningún motivo.**

- **Los trabajos eléctricos e hidráulicos necesarios para efectuar la instalación de los aparatos deben ser ejecutados sólo por personal cualificado.**
- Es obligatorio efectuar el enlace de tierra según las modalidades previstas por las normas de seguridad de los sistemas eléctricos. **El fabricante declinará toda responsabilidad por posibles lesiones a las personas o daños a las cosas que deriven de la falta de conexión o de una errónea conexión a tierra.**
- En caso de que el aparato no sea conectado mediante un enchufe, se deberá instalar un dispositivo de separación omnipolar con apertura para contacto de al menos 3 mm.
- El enchufe a instalar en el extremo del cable de alimentación y la respectiva toma de corriente deberán ser del mismo tipo y reunir los requisitos establecidos por la normativa vigente. Controlar que los valores de tensión y frecuencia de red correspondan a aquéllos indicados en la placa de identificación. Evítese el uso de adaptadores o derivadores. No desconectar nunca el enchufe tirando el cable de alimentación.
- **La máquina está efectivamente desconectada de la red de alimentación sólo si el enchufe ha sido extraído de la toma o si ha sido desconectada mediante el interruptor general del sistema eléctrico. El enchufe debe quedar accesible después de la instalación.**
- El aparato debe ser instalado utilizando nuevos conjuntos de tubos flexibles (que se suministran adjuntos al aparato). Los viejos conjuntos de tubos flexibles no deben ser reutilizados.
- Prestar atención a fin de que el aparato no quede sobre el cable de la alimentación eléctrica aplastándolo
- La lavadora no puede ser utilizada sobre vehículos, a bordo de naves o de aviones ni en ambientes que presenten condiciones particulares tales como, por ejemplo, atmósferas explosivas o corrosivas (polvos, vapores y gases) o líquidos explosivos y/o corrosivos.
- No posicionar la lavadora en ambientes expuestos al hielo. Al congelarse, los tubos pueden explotar a causa de las mayores presiones que se crean.
- Controlar que el tubo de evacuación, enganchado al fregadero, **quede firmemente fijado e inmovilizado.**
- De no quedar bloqueado, la fuerza del agua podría desplazarlo desde el fregadero, con **peligro de inundación.**
- Al enganchar el tubo a un fregadero, **controlar además que el agua circule rápidamente por el mismo, a fin de evitar peligros de rebosamiento del fregadero.**
- No sobrecargar la máquina.
- En ningún caso emplear en la lavadora detergentes que contengan solventes o productos químicos. **Podrían dañar la máquina y formar vapores venenosos. Además, podrían incendiarse y explotar .**
- Indumentos empapados en productos petrolíferos no deben ser lavados en la máquina. Antes del lavado, verificar que en las prendas no queden objetos inflamables (por ejemplo: encendedores, cerillas, etc.)
- En caso de usar fluidos volátiles para la limpieza, controlar que tales sustancias hayan sido quitadas de la prenda antes de introducirla en la máquina.
- Antes de introducir los indumentos para el lavado, controlar que los bolsillos estén vacíos, los botones correctamente fijados y las cremalleras cerradas.
- No lavar indumentos deshilachados o desgarrados.
- Lavando con temperaturas elevadas el cristal de la portezuela se recalentará mucho (atención).
- **Antes de abrir la puerta, controlar que el agua haya sido completamente descargada.**
- En caso de presencia de agua, descargarla por completo antes de abrir la puerta. Ante cualquier duda véase el manual de instrucciones.
- **¡El agua presente en la máquina no es potable!**
- Ingerir detergentes para lavadoras puede provocar lesiones en la boca y en la garganta.
- Antes de sacar la ropa desde la lavadora **controlar que el cesto esté detenido.**
- Al concluir el uso de la máquina, apagarla para evitar dispersión de energía eléctrica.
- Dejar la puerta entreabierta después de cada lavado a fin de garantizar la mayor duración de la guarnición.
- En caso de funcionamiento anómalo **no intentar nunca reparar personalmente la máquina.** Desconectar la máquina respecto de la red eléctrica y cerrar el grifo del agua. Contactarse con un técnico cualificado. **Las reparaciones deben ser ejecutadas sólo por personal cualificado.**
- **El aparato está destinado a ser utilizado por personas adultas.** No permitir que los niños alteren los mandos de la lavadora o que jueguen con ella ni **permitir que permanezcan en las proximidades durante la ejecución del programa.**
- Los cachorros de animales o los niños muy pequeños podrían introducirse en la lavadora.

-
- Controlar siempre el interior del cesto antes del uso y **evite que los niños jueguen en la lavadora.**
 - Mantener alejados a los niños cuando la puerta de la máquina está abierta o el compartimento del detergente está abierto ya que posibles residuos de detergente pueden provocar lesiones graves en los ojos, en la boca y en la garganta, incluso con peligro de muerte por sofocamiento.
 - El aparato no está destinado a uso de parte de personas (niños incluidos) con reducidas capacidades mentales, sensoriales o físicas o desprovistas de la necesaria experiencia y conocimiento, a menos que reciban instrucciones específicas de uso del aparato mismo o adecuada supervisión de parte de personal responsable de la seguridad de estos eventuales usuarios.
 - No conservar líquidos inflamables en proximidad del aparato.

Período de inactividad prolongada

- En caso de preverse un prolongado período de inactividad de la máquina, se aconseja desacoplar las conexiones eléctricas e hidráulicas y dejar su portezuela de cristal entreabierta para evitar la producción de malos olores.

¡Importante!

El uso de este aparato no presenta particulares dificultades ni complicaciones.

No obstante, para obtener los mejores resultados es importante leer atentamente este manual y aplicar todas sus instrucciones antes de poner en funcionamiento la máquina.

Este manual proporciona las instrucciones adecuadas para la instalación, uso y mantenimiento, además de presentar varios consejos de utilidad para el usuario.

El fabricante declinará toda responsabilidad en cuanto a lesiones que puedan sufrir las personas o daños de cosas que deriven de la inobservancia de las precedentes instrucciones o de la alteración incluso sólo parcial del aparato o bien del uso de recambios no originales.

2. INSTRUCCIONES PARA EL INSTALADOR

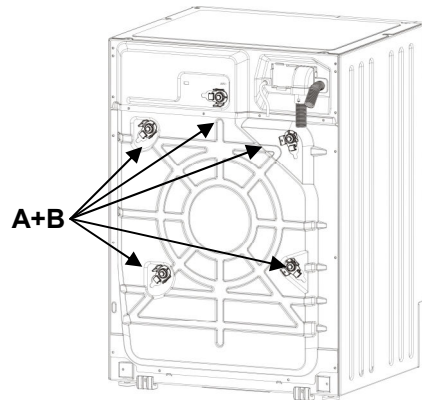
¡Importante!

El aparato debe ser instalado por un técnico cualificado especializado, con observancia de las normas vigentes.

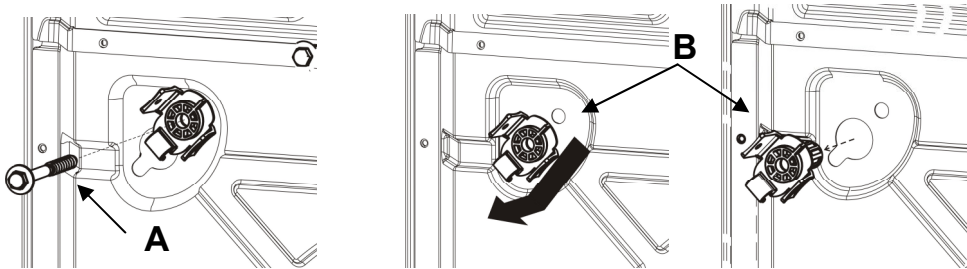
La lavadora es de notable peso. Elevarla procediendo con cautela.

2.1 DESEMBALAJE

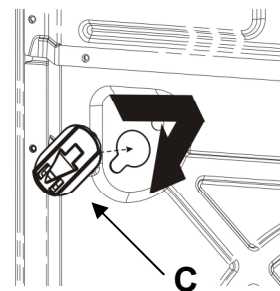
Para los efectos del transporte, el grupo oscilante es inmovilizado mediante los tornillos (A), situados en la parte trasera de la lavadora, con los respectivos separadores de plástico (B). El desmontaje de los tornillos permite utilizar el cable de la alimentación eléctrica.



1. Desenroscar **todos** los tornillos utilizando la llave de 10 mm.
2. Extraer por la parte trasera **todos** los tornillos (A)
3. Retirar **todos** los separadores de plástico (B)



4. Montar **todos** los tapones de plástico suministrados adjuntos (C) para evitar que chorros de agua penetren en el interior de la máquina, o bien, para evitar el contacto con piezas en tensión eléctrica.

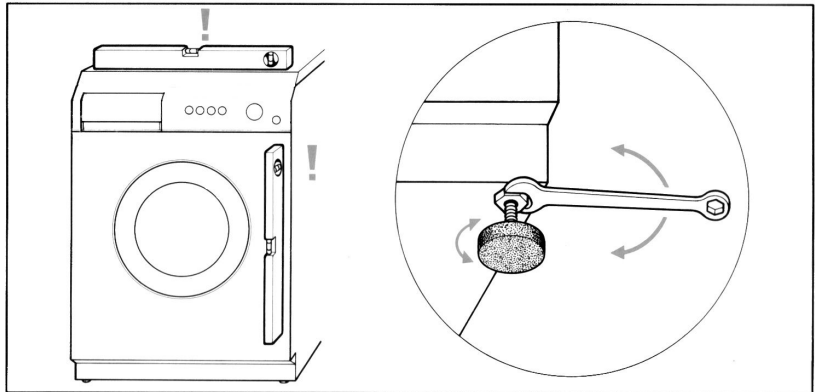


¡Atención!

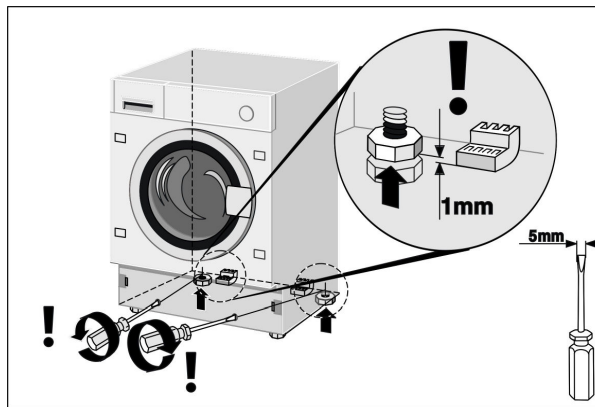
- **No** volcar la máquina ni inclinarla sobre sus costados.
- Es conveniente conservar todos los materiales empleados para la seguridad del transporte ya que deberán ser reutilizados en caso de un sucesivo traslado del aparato.

2.2 POSICIONAMIENTO Y NIVELACIÓN

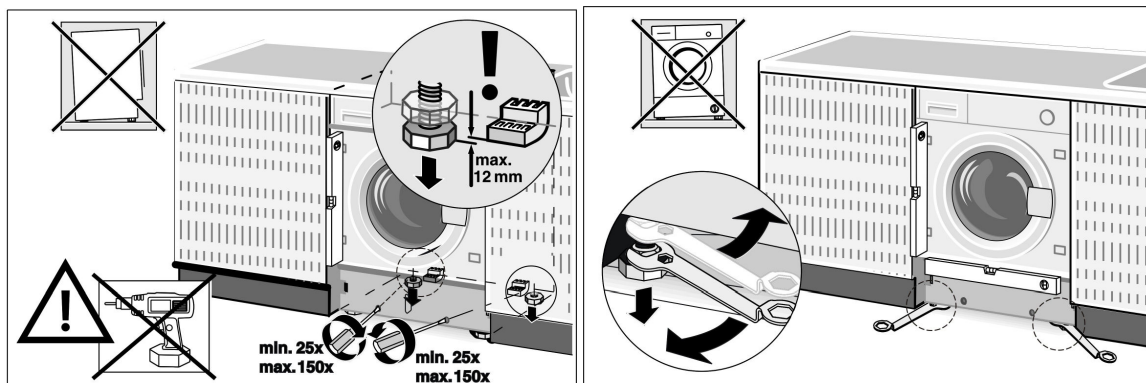
1. Emplazar la máquina en la posición prevista.
2. Nivelar cuidadosamente la máquina en todas las direcciones mediante un nivel de burbuja operando, de ser necesario, con sus pies regulables. Una vez efectuada la regulación, inmovilizar los pies mediante las respectivas contratuercas.



3. En presencia de **pies regulables traseros**, prestar atención al hecho de que en la parte trasera la máquina no está apoyada sobre los pies sino sobre patines específicos. Antes de instalar la máquina en el lugar previsto, controlar que sus pies traseros hayan sido completamente enroscados, para evitar que se dañen durante el emplazamiento.



Después de haber instalado la máquina, es necesario alzar sus pies traseros para evitar que quede depositada sobre los patines. Después de alzar los pies traseros, nivelar la máquina e inmovilizar sus pies delanteros.



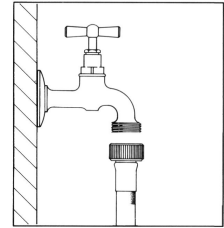
Los tubos de alimentación y evacuación del agua pueden ser orientados hacia la derecha o hacia la izquierda a fin de efectuar adecuadamente la instalación.

¡Atención!

- Se recomienda ejecutar esta operación con gran atención para evitar vibraciones, ruidosidad o desplazamiento de la máquina durante su uso.
- En caso de instalar la máquina sobre pavimento cubierto con moqueta, se deberá prestar atención para que las aberturas presentes en su parte inferior no queden obstruidas.
- Controlar así mismo que durante su funcionamiento la lavadora no entre en contacto con paredes, muebles, etc.
- La máquina no debe ser instalada detrás de una puerta bloqueable, de corredera o detrás de una puerta con bisagra en la parte opuesta.

2.3 CONEXIÓN A LA TOMA DE AGUA

1. Verificar que la presión de alimentación esté comprendida entre los siguientes valores: **0,05-0,9MPa**. En caso de existir presiones superiores se deberá instalar un reductor de presión.
2. Conectar el tubo de alimentación **agua fría** (virola de color **azul claro**) al grifo del agua fría con boca roscada de $\frac{3}{4}$ gas, enroscándolo firmemente para evitar pérdidas. El tubo de carga del agua no debe quedar doblado o aplastado ni debe ser cambiado ni cortado. Las roscas deben ser apretadas sólo manualmente.
3. En caso de estar presente la alimentación con **agua caliente**, la temperatura del agua suministrada no debe ser superior a 60 °C y el tubo con virola de color **rojo** debe ser conectado al grifo que suministra agua caliente.

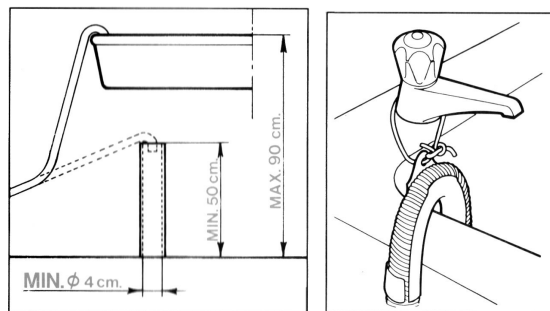


¡Atención!

- Si la conexión se efectúa con tuberías nuevas o que han permanecido inactivas por largo período, se deberá esperar la salida de una cierta cantidad de agua antes de conectar el tubo de carga. De esta manera se evita que posibles depósitos de arena u otras impurezas puedan obstruir los filtros de la máquina protectores de las válvulas de carga.
- Deberá excluirse el tubo viejo de alimentación, utilizando el tubo nuevo suministrado con la máquina.

2.4 CONEXIÓN DEL TUBO DE EVACUACIÓN

1. Introducir el extremo del tubo de evacuación en un conducto de descarga con diámetro interno mínimo de 4 cm a una altura comprendida entre 50 y 90 cm, o bien engancharlo (utilizando el soporte de plástico en la curva del tubo) en un fregadero o bañera.



2. Controlar siempre que el extremo del tubo de evacuación quede firmemente fijado para impedir que la fuerza del agua pueda desplazarlo.

¡Atención!

- Evítense dobladuras o estrangulamientos del tubo para favorecer la eficaz salida del agua.
- Un posible alargador que se conecte al tubo de evacuación no debe medir más de un metro, debe tener el mismo diámetro interno y no puede presentar ningún tipo de estrangulamiento.
- En ningún caso el extremo del tubo de evacuación puede quedar sumergido en agua.

2.5 CONEXIÓN ELÉCTRICA

Antes de conectar el enchufe en la toma de corriente controlar que:

1. El valor de la tensión de alimentación del sistema eléctrico coincida con el valor indicado en la placa de datos técnicos presente en la parte delantera (visible con portezuela abierta). El valor de la potencia conectada y los fusibles requeridos aparecen indicados en la placa.
2. El contador, las válvulas limitadoras, la línea de alimentación y la toma de corriente sean de dimensiones adecuadas para soportar la carga máxima indicada en la placa de datos técnicos.
3. La toma de corriente y el enchufe suministrado junto a la máquina sean compatibles entre sí, sin interposición de reducciones, tomas múltiples, adaptadores ni alargadores que podrían provocar recalentamientos o quemaduras.
Si la toma de corriente no corresponde a las características del enchufe suministrado, sustituir la toma de corriente de la red con otra de tipo adecuado.

Atención

- El enchufe debe quedar accesible después de la instalación.
- **Es absolutamente necesario efectuar la conexión a tierra del aparato.** Conectar el enchufe a una toma de corriente provista de eficaz conexión de tierra.

El fabricante declinará toda responsabilidad por posibles lesiones a las personas o daños a las cosas que deriven de la falta de conexión o de una errónea conexión a tierra. La ejecución de una correcta conexión eléctrica garantiza máxima seguridad.

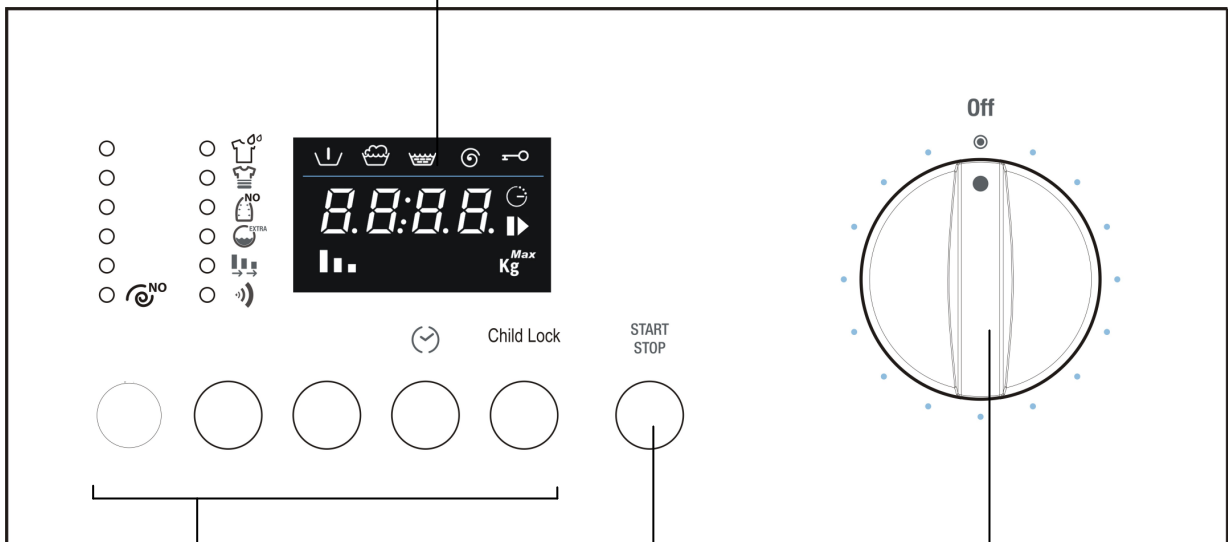
- Este aparato cumple con lo dispuesto por la Directiva CEE 89/336 del 3.5.89 (incluida la Directiva modificadora 92/31/CEE) relativa a la eliminación de radiointerferencias.
- En caso de dañarse el cable de alimentación, podrá ser sustituido sólo con un recambio original, puesto a disposición por nuestro Servicio de Asistencia.
- **No introducir/extraer el enchufe de alimentación desde la toma de corriente teniendo las manos mojadas.**
- **Extraer el enchufe de alimentación respecto de la toma sujetando el enchufe, sin tirar nunca el cable.**

3. DESCRIPCIÓN DE LOS MANDOS

3.1 PANEL DE MANDOS

Todos los mandos y controles del aparato se presentan como conjunto en el panel frontal.

Monitor: presenta las programaciones (velocidad de centrifugado, estatus de los programas, flexi time, activación de protección niños, peso máximo aconsejado). Las programaciones pueden ser modificadas mediante los botones que a continuación se indican.



Botones (de izquierda a derecha):
Selección velocidad de centrifugado
Selección opción
Confirmar opción
Temporizador de retraso
Child Lock

Botón Arranque/Pausa:
 Para activar y detener los programas de trabajo

Selector Programas
 Para encender y apagar la lavadora y seleccionar los programas. Rotación posible en ambas direcciones. El selector no gira durante la ejecución de los programas.

4. UTILIZACIÓN DE LA MÁQUINA

4.1 PREPARACIÓN DE LA ROPA

1. Dividir la ropa a lavar en función del tipo de tejido y la solidez de los colores.
2. Lavar por separado las prendas de color blanco y aquellas de color. La primera vez es aconsejable lavar por separado las prendas de color nuevas. Normalmente, las prendas a lavar cuentan con una etiqueta que proporciona indicaciones útiles acerca de las modalidades específicas que deben respetarse al efectuar el lavado. Exponemos a continuación una breve descripción de los símbolos de estas etiquetas.

LAVADO		LEJA			
	Lavado màx 90°	 Usar lejía		 No usar lejía	
	Lavado màx 60°				
		PLANCHADO			
	Lavado màx 40°	 Temperatura alta	 Temperatura mediana	 Temperatura baja	 No planchar
	Lavado màx 30°				
		LIMPIEZA EN SECO			
	Lavado delicado màx 60°	 Todos los disolventes	 Todos excepto Tricloro-etileno	 Gasolina Avio y R113	 No limpiar en seco
	Lavado delicado màx 40°				
	Lavado delicado màx 30°				
		SECADO DESPUÉS DEL LAVADO			
	Lavar a mano	 Temperatura alta	 Temperatura inferior a los 60°	 No secar	
	No Lavar				

¡Atención!

- Evítese el lavado de ropa sin dobladillo o desgarrada ya que podría deshilarse.
- Los cuerpos extraños pueden dañar los indumentos o los componentes de la lavadora . Por lo tanto: vaciar y dar vueltas los bolsillos, quitar las argollas de las cortinas o envolverlas en una bolsa de red.
- Lavar las prendas muy pequeñas (cinturones, pañuelos, calcetines, sujetadores con refuerzo, etc.) introduciéndolas en una bolsa de tela blanca, cerrar los botones a presión y las cremalleras y coser adecuadamente los botones que estén sueltos.
- El uso de los modernos detergentes y de la temperatura adecuada de lavado generalmente es suficiente para eliminar las manchas presentes en los tejidos. No obstante, algunas manchas difíciles como aquellas de hierba, fruta, huevo, sangre, óxido, pasta de bolígrafo, etc. deberán ser pretratadas antes del lavado. **En función del tipo de tejido, en comercio están disponibles numerosos productos desmanchadores. En todo caso, es aconsejable limpiar o diluir de inmediato las manchas ya que, mientras más envejecen, más difícil será su eliminación.**
- **No respetando las indicaciones de los símbolos sobre tratamiento de los tejidos pueden dañarse las prendas a lavar.**

Lana – Sólo la lana con marca de pura lana virgen identificada mediante o bien con la etiqueta <<no encoge al lavar en lavadora>> puede ser lavada en la máquina utilizando el respectivo programa. Otros tipos de lana es preferible lavarlas a mano o en seco.

4.2 APERTURA DE LA PORTEZUELA DE CRISTAL

La máquina está equipada con un dispositivo de seguridad que impide la apertura de la portezuela durante la ejecución del programa.

1. **Controlar que el agua haya sido completamente extraída de la cuba y que el cesto esté detenido.**

¡Atención!

- En caso de interrupción del programa de lavado será necesario esperar entre 3 y 15 minutos, en función de la temperatura interna alcanzada por la máquina.

¡Atención!

**El agua podría estar aún hirviendo si el lavado ha sido efectuado a temperatura elevada.
¡No abrir la portezuela si en el interior del cesto aún hay agua!**

4.3 CARGA DE LA ROPA

En todo lo posible, **para ahorrar energía eléctrica es conveniente completar la carga de los diferentes tipos de tejido**. Introducir la ropa de manera que esté suelta, alternando prendas de grandes y pequeñas dimensiones. Las primeras veces es conveniente pesar las cargas de ropa; sucesivamente bastará proceder según la experiencia adquirida.

4.4 INTRODUCCIÓN DE LA ROPA

1. Abrir la portezuela e introducir la ropa distribuyéndola de manera uniforme, abierta y sin comprimirla en el cesto; en lo posible mezclar prendas grandes con prendas pequeñas.
2. La lavadora, a la que se adjunta este manual, puede ser **cargada hasta con un máximo de 7kg** de ropa por cada lavado. Introduciendo una cantidad mayor, se obtendrán resultados de lavado insatisfactorios, además de posibles malfuncionamientos de la máquina.
3. **Para ahorrar energía es conveniente completar la carga** de los diferentes tipos de tejido, respetando las cantidades que se indican en la "Tabla de programas" suministrada adjunta a este manual.
4. Cerrar la portezuela presionándola contra el bastidor hasta escuchar el disparo de cierre. Prestar atención a fin de que ninguna prenda quede atascada entre la puerta y la guarnición de goma.

¡Atención!

- En caso de quedar la portezuela mal cerrada, un dispositivo de seguridad impedirá el funcionamiento de la lavadora.
- **No superar la cantidad máxima de carga: una carga excesiva empeorará el resultado del lavado.**

4.5 INTRODUCCIÓN DE DETERGENTE Y ADITIVO

La cubeta interna está dividida en tres compartimentos que presentan los siguientes símbolos:



detergente para prelavado

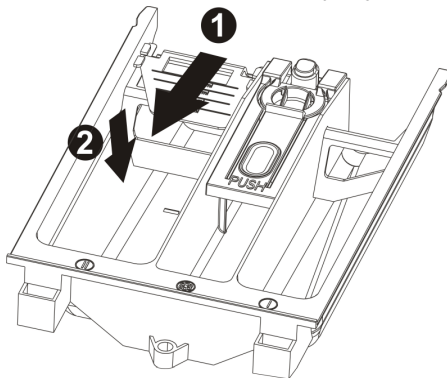


detergente de lavado



suavizante, apresto, aditivos, etc. (por ej. productos para el tratamiento). Los aditivos son introducidos automáticamente en la cuba de lavado durante el último enjuague.

En el compartimento de lavado se encuentra la lengüeta que permite utilizar detergente líquido. Para insertarla, tirar hacia la parte delantera y bajarla.



Siguiendo las indicaciones de la "Tabla de programas" suministrada adjunta a este manual, introducir antes del inicio del programa el detergente y los posibles aditivos en el respectivo compartimento.

El nivel de los líquidos no debe superar el límite máximo indicado ya que, en caso contrario, las cubetas se vaciarían demasiado rápidamente.

Antes de verter los aditivos en la respectiva cubeta, conviene diluirlos en un poco de agua para impedir la posibilidad de obstrucción del sifón.

Utilizar sólo detergentes de espuma controlada, adecuados para uso en lavadora.

Determinar la cantidad de detergente en función de la dureza del agua, el tipo y cantidad de ropa a lavar y el nivel de suciedad de la misma.

De esta forma se obtendrá el efecto deseado además de un consumo optimizado de detergente.

En los envases de los detergentes la dosificación se indica considerando cuatro niveles de dureza y para cargas de ropa de 4-5 kg, normalmente sucia.

Solicitar las informaciones sobre grado de dureza del agua a la respectiva empresa proveedora.

Dureza del agua

Nivel de dureza	Grados franceses fH	Grados alemanes dH
Moderada	Hasta 15°	Hasta 8°
Mediana	15° - 25°	8° - 14°
Dura	25° - 40°	14° - 22°
Muy dura	Más de 40°	Más de 22°

4.6 DOSIFICACIÓN DE DETERGENTES EN POLVO

Ropa normalmente sucia

1. Elegir un programa sin prelavado
2. Introducir en el compartimento del lavado del cajón detergente la cantidad total de detergente indicada en el envase.

Ropa muy sucia

1. Elegir un programa con prelavado
2. Introducir $\frac{1}{4}$ de la cantidad de detergente aconsejada en el compartimento de prelavado del cajón detergente y $\frac{3}{4}$ en el compartimento de lavado.

¡Atención!

- Faltando indicaciones sobre dosificación para la ropa delicada de fibra sintética, utilizar $\frac{1}{2}$ y hasta $\frac{2}{3}$ del cuantitativo indicado para lavar tejidos resistentes de algodón.
- Para el programa lana se recomienda utilizar sólo detergentes neutros para lana.
- Dosificar en base a los datos proporcionados por el productor del detergente.

4.7 DOSIFICACIÓN DE DETERGENTES LÍQUIDOS

1. Verter en el dosificador suministrado junto con el envase del detergente líquido la dosis requerida e introducirlo en el cesto, o bien utilizar el compartimento de lavado de la cubeta del detergente, instalando la respectiva aplicación adicional.
2. La escala en la aplicación roja está prevista como auxiliar para dosificar el detergente líquido.

¡Atención!

- Detergentes líquidos pueden ser empleados en la dosis prevista por el productor **sólo para el lavado principal, es decir, en todos los programas sin prelavado.**

4.8 DESCALCIFICADORES

Los descalcificadores pueden agregarse según las indicaciones de los productores en los compartimentos de prelavado y lavado.


Introducir en los compartimentos en primer lugar el detergente y a continuación el descalcificador.

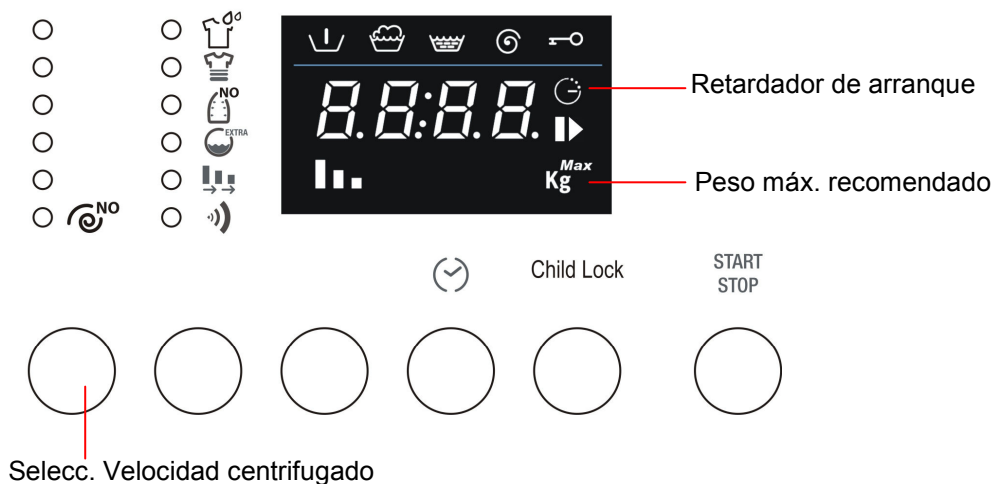
4.9 PROGRAMAS Y FUNCIONES

Para seleccionar los programas en función del tipo de tejido consúltese la "Tabla de programas" suministrada adjunta a este manual. (Dentro de la bolsa de accesorios)

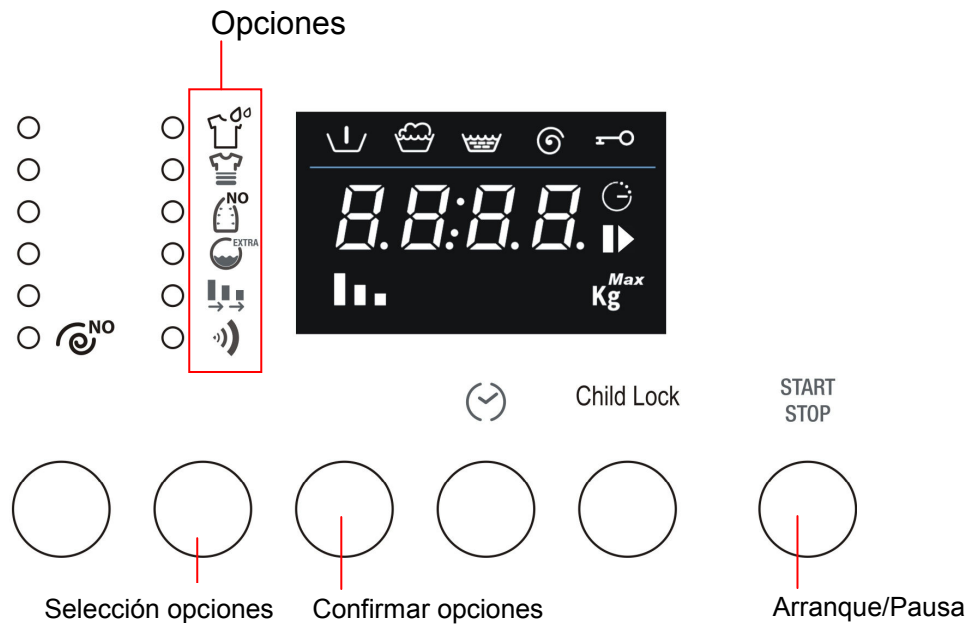
4.10 ENCENDIDO DE LA MÁQUINA Y SELECCIÓN PROGRAMA DE TRABAJO

Para encender la máquina y seleccionar un programa proceder de la siguiente forma:

1. Girar el mando de los programas en uno de los sentidos. De este modo se enciende la lavadora.
2. Seleccionar el programa deseado. En el monitor se alternan el tiempo restante para la conclusión y el peso máximo aconsejado para el programa seleccionado. En función de lo visualizado, en el monitor se encienden los respectivos símbolos.
3. Aparecen indicados los valores predeterminados para la velocidad de centrifugado. Es posible modificar las programaciones iniciales mediante el botón situado debajo de la secuencia de las velocidades de centrifugado.
4. La velocidad de centrifugado, igual a , significa exclusión de centrifugado y parada con cuba llena. Programando este valor la máquina no ejecuta el centrifugado final y concluye el programa de lavado con el agua en la cuba.



4.11 SELECCIÓN Y CONFIRMACIÓN DE LAS OPCIONES



- Mediante el botón Selección Opciones es posible seleccionar en sucesión las siguientes opciones (de arriba hacia abajo):

Prelavado: Activación de una fase previa al lavado de unos 20 minutos de duración y con temperatura de 35 °C. Adecuada para el lavado de prendas particularmente sucias.

Intensivo: la temperatura máx. pasa a ser de 60 °C y la fase de lavado es prolongada para aumentar la eficacia de las enzimas presentes en los detergentes. Adecuada para prendas delicadas muy sucias.

Planchar menos: Permite que las prendas lavadas queden pocos arrugadas y que, por lo tanto, requieran menor planchado.

Water plus: Aumenta la cantidad de agua utilizada para el lavado y los enjuagues.

El la alternativa **Enjuague adicional:** mediante esta opción se agrega un enjuague al programa de lavado seleccionado.

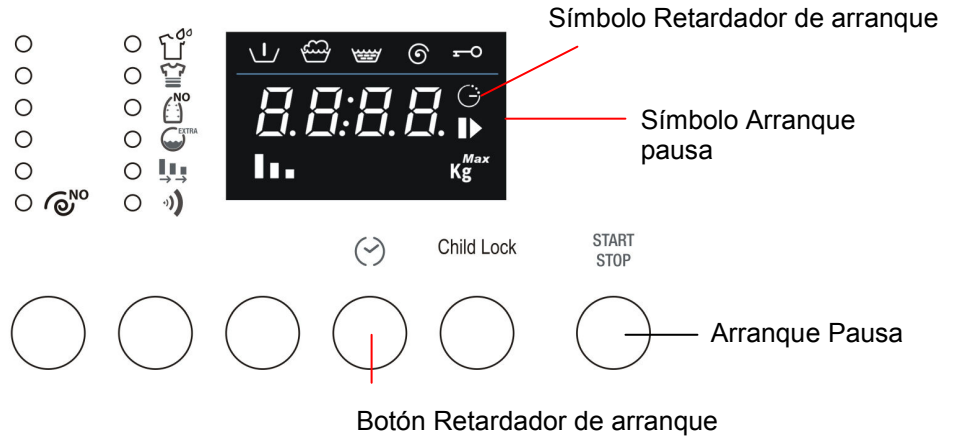
Flexi Time: permite reducir la duración del programa. El símbolo se presenta completamente iluminado, indicando la duración inicial del programa seleccionado. Seleccionando esta opción es posible reducir ulteriormente la duración hasta un mínimo y retornar a la duración inicial presionando repetidamente el botón Set.

El la alternativa **Rápido:** permite reducir la duración del ciclo de lavado. Es adecuado para poca ropa no muy sucia.

Buzzer: Es posible activar/desactivar la señal acústica de fin de programa. La máquina se entrega con esta opción activada.

- Para confirmar la opción seleccionada basta presionar el botón Confirmar opciones; el led de la opción permanece encendido.
- Para eliminar la selección de una opción determinada basta retornar sobre la misma mediante el botón de Selección opciones y presionar el botón Confirmar opciones. Para cancelar en una única operación la selección de todas las opciones precedentemente confirmadas basta mantener presionado el botón Confirmar opciones durante cuatro segundos.
- La opción Buzzer mantiene la selección efectuada también para los programas sucesivos. Es desactivada automáticamente sólo con el programa Night Wash.

4.12 TIEMPO RESIDUAL

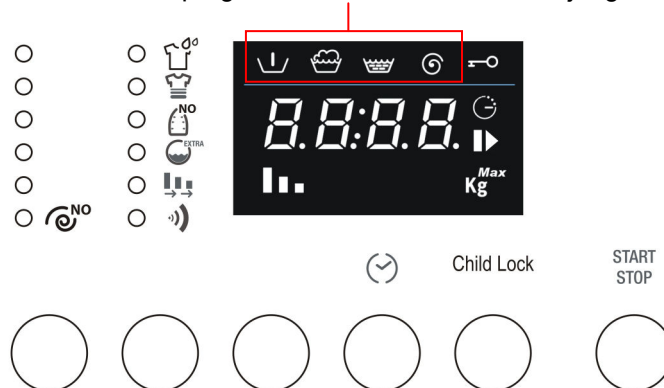


1. Presionando repetidamente el botón Retardador de arranque, es posible seleccionar el lapso después del cual el programa de lavado se concluirá. El tiempo faltante para concluir el programa incluye la duración inicial del ciclo de lavado y de las programaciones efectuadas (temperatura, velocidad de centrifugado y opciones), que pueden reducir o prolongar la duración inicial del programa y del tiempo de espera que el usuario desea alcanzar antes de la partida.
2. Una vez programado el Retardador de arranque, el símbolo en el monitor permanece encendido.
3. Para deseleccionar la función de Retardador de arranque será necesario presionar repetidamente el botón hasta obtener la aparición de 0 en el monitor.
4. Hasta la partida del ciclo el símbolo Arranque Pausa permanecerá encendido de modo intermitente. Una vez iniciado el programa, el símbolo quedará encendido con luz fija.

4.13 ACTIVACIÓN DEL PROGRAMA DE LAVADO

1. Una vez que han sido personalizados los ciclos del programa de lavado, para activarlo presionar el botón Arranque Pausa.
2. Después de la activación, en el monitor aparece el tiempo residual del programa y el símbolo Arranque Pausa permanece encendido.
3. Durante la ejecución del programa de lavado/secado se encienden los símbolos que vez por vez indican las diferentes fases.

Símbolos de las fases de un programa: Prelavado, lavado, enjuagues y centrifugado final.



4.14 INTERRUPCIÓN O CAMBIO DEL PROGRAMA DE LAVADO


Durante su ejecución el programa de lavado puede ser interrumpido en cualquier momento y para ello:

1. presionar el botón "Arranque/Pausa" durante unos 3 segundos: en el monitor aparecerán alternativamente la palabra PAUS (por 1 segundo) y el tiempo residual (por 1 segundo). El testigo Arranque/Pausa se enciende de modo intermitente. La interrupción también se obtiene girando el mando de selección programas/temperaturas durante la ejecución del programa.
2. Para cambiar un programa de lavado basta seleccionar el nuevo programa mediante el mando respectivo, sin necesidad de poner en pausa la máquina. El nuevo programa de lavado será ejecutado integralmente desde su inicio. Si en el programa precedente ya había sido cargada el agua en la cuba, el nuevo programa comenzará sin cargar agua.
3. Para reanudar el programa presionar nuevamente el botón Arranque/Pausa.

4.15 FIN DEL PROGRAMA

Los programas de lavado son realizados de manera automática y, al concluirse, en el monitor aparece la palabra END, apagándose el testigo "Tiempo residual"

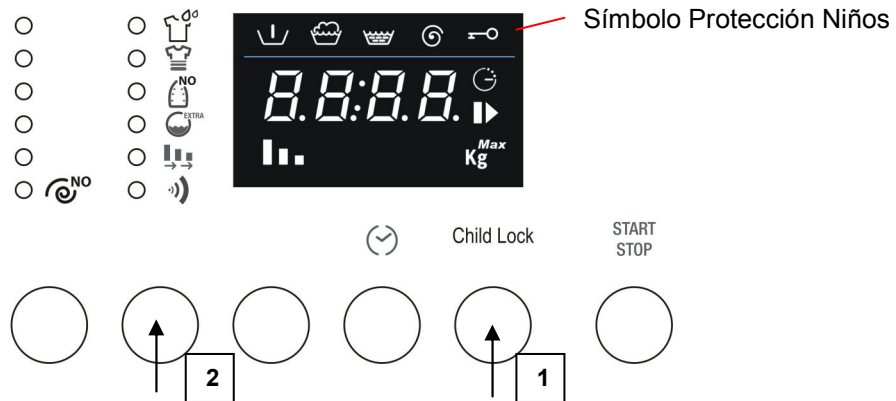
1. **Apagar la máquina situando el mando de los programas en posición OFF.**
2. Extraer la ropa desde el cesto.
3. Dejar la portezuela entreabierta para que el cesto y la parte interna de la lavadora se sequen.
4. **Cerrar el grifo de entrada del agua.**

Si durante la fase inicial de programación de la velocidad de centrifugado ha sido seleccionada la exclusión del centrifugado con detención con cuba llena  (velocidad de centrifugado igual a 0), al concluirse el programa de lavado en el monitor aparecerá el mensaje STOP, alternado con el mensaje ---- (velocidad de centrifugado igual a 0), y se encenderá el testigo indicador de centrifugado

Para proseguir con descarga y centrifugado, presionar dos veces el botón de selección centrifugado. La máquina reanuda la ejecución del programa con la descarga y el centrifugado. Para seleccionar la velocidad deseada de centrifugado presionar el botón hasta obtener que aparezca indicada dicha velocidad. Si se desea descargar el agua presente en la cuba sin efectuar centrifugado, presionar el botón de selección centrifugado hasta visualizar velocidad 00; ello indica que la descarga se efectuará sin centrifugado.

4.16 PROTECCIÓN CONTRA INTERVENCIÓN DE LOS NIÑOS

1. Activando esta función se impide la modificación de las opciones de temperaturas, velocidad de centrifugado y ciclo de lavado/secado durante su ejecución.

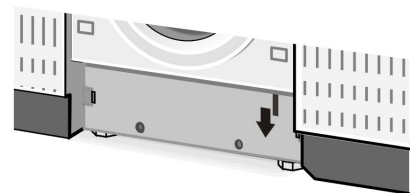


2. Para activar la función Protección Niños se debe presionar y mantener presionado el botón Child Lock (1). Dentro de los 3 segundos sucesivos presionar también el botón Selección Opciones (2).
3. La iluminación del símbolo Protección Niños indica que la función está activada.
4. Para desactivar la función se debe repetir el mismo procedimiento.

4.17 APERTURA DE EMERGENCIA

En caso de interrumpirse la energía eléctrica, la portezuela de cristal se abre mediante desenganche mecánico, representado por la lengüeta situada en la parte inferior del aparato:

- Disponer el mando en Off y extraer el enchufe de la alimentación eléctrica.
- Descargar el agua de lavado (véase el apartado 5.4)
- Tirar hacia abajo la lengüeta y abrir la portezuela.



Atención, peligro de sufrir quemaduras: Antes de abrir la portezuela de cristal controlar que en el interior de la máquina no haya agua hirviendo, mezclada o no con detergente, que al abrir puede salir provocando lesiones o daños.

Atención: no efectuar una apertura de emergencia de la portezuela de cristal mientras está girando el cesto.

5. LIMPIEZA Y MANTENIMIENTO

Importante. Antes de ejecutar cualquier operación de limpieza o mantenimiento se debe desacoplar el enchufe respecto de la toma de corriente.

5.1 LIMPIEZA EXTERNA

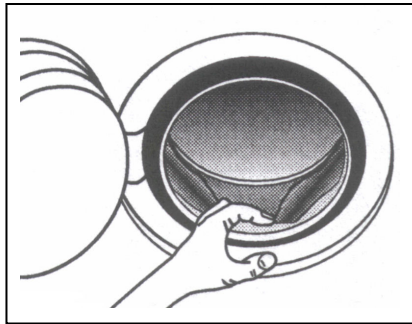
- Una limpieza regular y constante permite mantener inalterado el aspecto de su aparato.
- El mueble debe limpiarse sólo con agua y jabón, secándolo cuidadosamente con un paño suave.
- Las piezas de plástico deben limpiarse sólo con un paño húmedo.
- No raspar con objetos puntiagudos y evitar el uso de solventes o productos que contengan abrasivos ya que dañan las superficies.
- **Por motivos de seguridad no lanzar nunca chorros de agua contra la lavadora.**

5.2 LIMPIEZA DEL CESTO

- Eliminar posibles manchas de óxido en el cesto utilizando un producto limpiador para acero inoxidable y, en caso de mayor dificultad, usar papel abrasivo finísimo.
- Para descalcificar la lavadora emplear únicamente descalcificantes de marca, con anticorrosivo para lavadoras.
- Para el uso y la dosificación atenerse absolutamente a las indicaciones del productor.
- **Después de los procedimientos de descalcificación y de eliminación del óxido del cesto, ejecutar algunos ciclos de enjuague para eliminar todo posible residuo de ácido que podría dañar la máquina. Por ningún motivo utilizar detergentes que contengan solventes. Podrían formarse vapores que den lugar a peligro de incendio y/o explosión.**

5.3 LIMPIEZA GUARNICIÓN DE LA PORTEZUELA DE CRISTAL

Controlar periódicamente la posible presencia de clips, botones, clavos, alfileres y otros objetos en los pliegues de la guarnición.

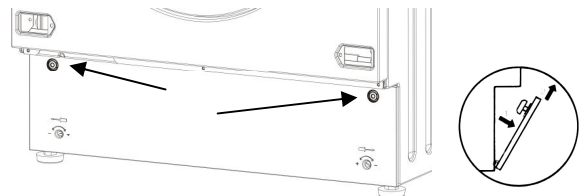


5.4 LIMPIEZA DE LA BOMBA DE EVACUACIÓN

La limpieza de la bomba de evacuación deberá efectuarse sólo en caso de bloquearse a causa de botones, alfileres, u otros objetos que impidan la evacuación del agua. En tal caso operar de la manera que a continuación se indica.

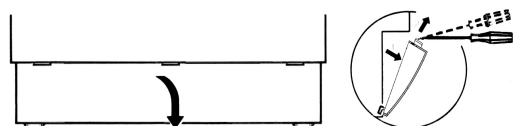
1. Extraer el enchufe eléctrico a fin de desconectar la máquina respecto de la red.

2. Según el modelo, proceder de la siguiente forma:
Modelo empotrado/totalmente integrable; con un destornillador pequeño hacer palanca y desenganchar los tapones indicados en la figura; girando el zócalo hacia abajo se obtiene acceso a la bomba.



Modelo Libre Instalación; introducir un destornillador de pequeñas dimensiones en las ranuras presentes en la parte delantera del zócalo y hacer palanca ligeramente hacia arriba a fin de liberar la parte superior del zócalo respecto del mueble.

Inclinar ligeramente el zócalo hacia adelante y tirar hacia arriba para desmontarlo por completo.

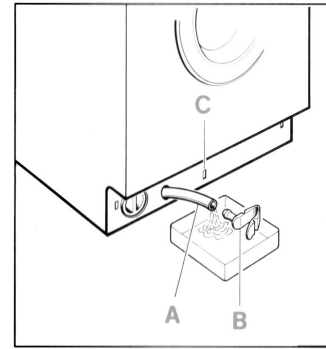


3. Extraer el tubo flexible de vaciado "A".

Atención: el tubito caliente señala la presencia de agua caliente o hirviendo. Colocar sobre el pavimento un recipiente bajo y quitar el tapón "B" para descargar el agua.

Según la carga de agua presente, vaciar varias veces el recipiente.

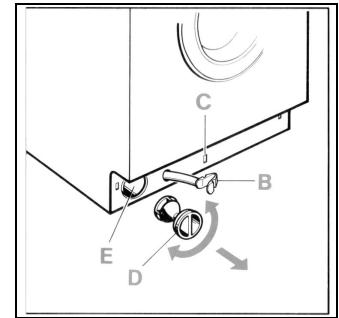
Una vez que deja de salir agua, cerrar nuevamente el tubo flexible y reinstalar firmemente el tapón "B".



4. Desenroscar la tapa de la bomba "D" girando hacia la izquierda.

Limpiar y eliminar posibles objetos extraños presentes en el cuerpo de la bomba.

Controlar también el interior "E" verificando que el rotor gire libremente; controlar posible presencia de cuerpos extraños atascados, que deben ser extraídos.



5. Reenroscar la tapa de la bomba.

Fijar el tubo flexible de vaciado introduciendo su tapón de disparo en su alojamiento «C».

En función del modelo instalar el zócalo de la siguiente forma:

Modelo empotrado/totalmente integrable; montar el zócalo en primer lugar en la parte inferior. Fijarlo con un cuarto de vuelta hacia la derecha de los botones de plástico.

Las hendiduras de los botones deben encontrarse en posición horizontal.

Modelo de libre instalación; montar el zócalo ante todo en la parte inferior y a continuación empujarlo hacia el mueble hasta obtener su acoplamiento.

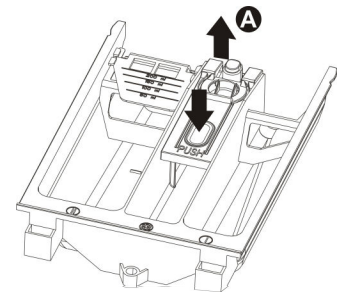
5.5 LIMPIEZA DEL CAJÓN DE LOS DETERGENTES

Es conveniente mantener el cajón de los detergentes limpio y exento de incrustaciones.

Para facilitar esta operación se debe extraer el cajón por completo (mover el cajón hasta el fondo, presionar en la zona indicada con la palabra PUSH y extraerlo por completo).

Desmontar el sifón «A» y lavar enteramente con agua caliente.

Introducir nuevamente el sifón hasta el fondo y, antes de instalar el cajón en su alojamiento, eliminar posibles residuos de detergente.



5.6 LIMPIEZA DE FILTROS ENTRADA AGUA

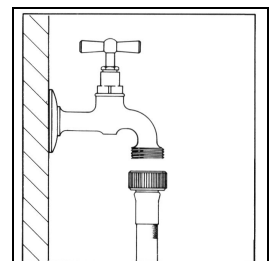
La máquina está equipada con un filtro destinado a proteger las válvulas de entrada del agua.

Este filtro se encuentra en el racor del tubo de alimentación que debe conectarse al grifo.

En caso de que la lavadora no cargue agua o cargue parcialmente, este filtro deberá ser limpiado.

Para limpiarlo proceder de la siguiente forma:

- **Extraer el enchufe eléctrico a fin de desconectar la máquina respecto de la red.**
- Cerrar el grifo de entrada del agua.
- Desenroscar el racor del tubo de alimentación del grifo.
- Desmontar el filtro del racor del tubo de entrada.
- Limpiar el filtro con agua y con un cepillo.
- Al reenroscar el racor del tubo de alimentación, controlar que el filtro quede correctamente posicionado.



6. ADVERTENCIAS PARA CASO DE ANOMALÍA Y MALFUNCIONAMIENTO

Este producto cumple con lo establecido por las normas vigentes sobre seguridad relativas a los equipos eléctricos. Por motivos de seguridad, eventuales controles técnicos o reparaciones deben ser ejecutadas sólo por personal cualificado a fin de evitar peligros para el usuario.





Al dejar de funcionar la máquina, antes de llamar al Servicio de Asistencia y para evitar inútiles gastos, controlar personalmente que hayan sido ejecutadas las operaciones que se indican en esta [Tabla de anomalías](#).

- | | |
|---|---|
| 1 La máquina no parte | Controlar que: <ul style="list-style-type: none"> - el enchufe haya sido correctamente introducido en la toma; - la portezuela de cristal esté correctamente cerrada; - haya sido presionado el botón "Arranque/Pausa". |
| 2 No carga agua | Controlar que: <ul style="list-style-type: none"> - el enchufe haya sido correctamente introducido en la toma; - la portezuela de cristal esté correctamente cerrada; - el grifo del agua esté abierto; - los filtros del tubo de alimentación agua no estén obstruidos; - el tubo de alimentación hídrica no esté atascado o doblado. |
| 3 En el cesto de lavado no se ve agua | No constituye avería.
El nivel del agua es inferior al cristal de la portezuela, ya que las máquinas de los modelos más recientes usan poca agua pero obteniendo los mismos resultados de lavado y enjuague. |
| 4 No descarga el agua | Controlar que: <ul style="list-style-type: none"> - el tubo de evacuación no esté doblado; - la bomba de evacuación no esté atascada. |
| 5 No descarga el agua después del último enjuague de los programas de lavado delicados y lana | La pausa está prevista en el programa de lavado (si ha sido activada la opción centrifugado y parada con cuba llena) para evitar la formación de arrugas en los tejidos.
Para efectuar la evacuación del agua proceder de la manera ilustrada en el apartado (Fin programa) |
| 6 La máquina carga y descarga de modo continuo | Controlar que el extremo del tubo de evacuación no esté demasiado abajo. |
| 7 Fuertes vibraciones durante las vueltas de centrifugado | Controlar que: <ul style="list-style-type: none"> - la máquina esté correctamente nivelada; - la máquina no esté demasiado próxima a muros o muebles; - el grupo oscilante interno haya sido desbloqueado. |
| 8 Se forma demasiada espuma en la cuba y sale a través del cajón | Controlar que: <ul style="list-style-type: none"> - el detergente utilizado sea del tipo para máquinas automáticas y no para lavado manual; - el detergente haya sido usado en la cantidad indicada y no en cantidad superior. |
| 9 Presencia de agua en el pavimento | Controlar que: <ul style="list-style-type: none"> - los racores del tubo de alimentación agua no estén flojos; - el extremo del tubo de evacuación no haya sido cambiado de posición. |
| 10 El suavizante no es introducido por completo o permanece demasiada agua en el compartimento | Controlar que los sifones en el cajón del detergente estén correctamente colocados en sus alojamientos y no estén obstruidos. |

- 11 La máquina no efectúa el centrifugado** Ha intervenido el dispositivo de seguridad antidesequilibrio porque la ropa no está uniformemente distribuida en el interior del cesto. Por lo tanto, en caso de que al concluir el programa la ropa quede mojada, aconsejamos distribuirla manualmente en el interior del cesto y repetir sólo la operación de centrifugado.
- 12 Vaciado del agua del cesto** En caso de interrumpirse la alimentación eléctrica o de verificarse un inconveniente en la lavadora, se podrá efectuar el vaciado de emergencia del agua presente en el interior del cesto.
- 13 La ropa no ha sido correctamente centrifugada** Las prendas de ropa más grandes están enrolladas y no se han distribuido de modo uniforme en el cesto. Es necesario lavar siempre prendas de ropa grandes en conjunto con prendas pequeñas.
- 14 Presencia de residuos de detergente en la ropa** Muchos detergentes sin fosfatos contienen sustancias difícilmente solubles en agua.
Seleccionar el programa de Enjuague o bien cepillar la ropa.
- 15 La calidad del lavado no es satisfactoria**
- Probablemente se ha utilizado poco detergente o un detergente inadecuado;
 - Las manchas difíciles no han sido sometidas a un tratamiento previo;
 - No ha sido elegida la temperatura adecuada;
 - El cesto está sobrecargado.

VISUALIZACIÓN DE ERRORES

En caso de malfuncionamiento la máquina señalará el hecho mediante un código de error en el monitor.

<i>Código de error</i>	<i>Descripción del problema</i>
	Portezuela de cristal no cerrada correctamente. Probar cerrándola nuevamente.
	Intervención de agua stop. Contactar el centro de asistencia más próximo después de haber desconectado la alimentación eléctrica y haber cerrado el grifo del agua.
	No carga el agua para efectuar el lavado. Véase el punto 2 de la lista de anomalías.
	No descarga el agua. Véase el punto 4 de la lista de anomalías.

Respecto de todos los demás códigos de error que pueden presentarse, al aparecer uno de ellos sírvase contactar con el más próximo Centro de Asistencia después de haber desconectado la alimentación eléctrica y haber cerrado el grifo del agua.

Índice

1. Advertências para a segurança e uso	2
2. Instruções para a instalação	5
3. Descrição dos comandos	8
4. Utilização da máquina para a lavagem	9
5. Limpeza e manutenção	16
6. Advertências em caso de anomalias e de mau funcionamento	18

Este aparelho dispõe da marca de conformidade  nos termos da directiva europeia 2002/96/CE relativa aos resíduos de equipamentos eléctricos e electrónicos (Waste Electrical and Electronic Equipment - WEEE).

Esta directiva define as normas para a recolha e reciclagem dos resíduos de equipamentos eléctricos e electrónicos válidas em todo o território da União Europeia.

O símbolo do contentor de lixo barrado com uma cruz no aparelho ou na embalagem indica que o produto deve ser objecto de recolha selectiva no final do respectivo ciclo de vida. Portanto, o utilizador deverá entregar o aparelho que chegar ao fim do seu ciclo de vida a centros idóneos de recolha selectiva dos resíduos de equipamentos electrónicos e electrotécnicos, ou devolvê-lo ao revendedor na altura da compra de um novo aparelho de tipo equivalente, na proporção de um para um.

A recolha selectiva adequada para o envio seguinte do aparelho desmantelado para a reciclagem, para o tratamento e para a eliminação ecologicamente compatível contribui para evitar os possíveis efeitos negativos no ambiente e na saúde e favorece a reutilização e/ou reciclagem dos materiais que compõem o aparelho.

A eliminação abusiva do produto feita pelo utilizador comporta a aplicação das sanções administrativas nos termos da lei.



LEIA ATENTAMENTE ESTAS INSTRUÇÕES.

Advertência!

Aconselhamos a ler com muita atenção todas as instruções contidas neste manual, para conhecer as condições mais apropriadas para uma utilização correcta e segura do aparelho.

É muito importante que este manual de instruções seja conservado com o aparelho para permitir futuras consultas.

Em caso de venda ou de transferência, certificar-se de que o manual acompanhe sempre a máquina, para permitir informar-se sobre o funcionamento.

1. ADVERTÊNCIAS PARA A SEGURANÇA E USO

Advertência!

Estas advertências são fornecidas por motivos de segurança.

Devem ser lidas com muita atenção antes da instalação e antes do uso.

Eliminação da embalagem

- Não abandone os resíduos da embalagem sem vigilância no ambiente doméstico. Separe os vários materiais não reutilizáveis provenientes da embalagem e entregue-os ao centro mais próximo de recolha selectiva.
- Os materiais que compõem a embalagem (sacos de plástico, poliestireno, etc.) não devem ser deixados ao alcance das crianças.

Eliminação do aparelho em desuso

- **O aparelho em desuso deve ser tornado inutilizável: deve-se tornar inservível o velho fecho da porta de óculo (deste modo, evitar-se-á que as crianças, durante as suas brincadeiras, possam fechar-se dentro e pôr-se em perigo de vida) e cortar o cabo de alimentação eléctrica após a extracção da ficha da tomada de corrente. O aparelho deverá depois ser entregue a um centro de recolha selectiva.**

Tutela do ambiente

- Tire proveito da capacidade máxima aconselhada. Não ultrapasse a carga máxima permitida.
- Não utilize a função de pré-lavagem para a roupa pouco ou normalmente suja.
- Utilize o detergente nas doses recomendadas pelo fabricante.
- Seleccione a velocidade máxima de centrifugação compativelmente com o tipo de roupa. As centrifugações a alta velocidade diminuem o tempo de secagem e reduzem o consumo de energia.

Instruções de segurança

- Este aparelho destina-se a um uso de tipo doméstico e respeita as Directivas 72/23/CEE, 89/336/CEE (incluindo as Directivas 92/31/CEE e 93/68/CEE), actualmente em vigor.
- Antes de instalar e utilizar o aparelho, leia atentamente todas as indicações contidas neste manual.
- Antes do uso certifique-se de que o grupo cuba tenha sido desbloqueado (veja as instruções). Se o grupo cuba não foi desbloqueado, durante a centrifugação pode provocar danos na máquina de lavar roupa e aparelhos que se encontrem nas proximidades.
- Este Manual de Instruções constitui parte integrante do aparelho: é preciso conservá-lo sempre íntegro junto com o aparelho. A instalação deverá ser feita por técnicos qualificados de acordo com as normas vigentes. O aparelho foi construído para exercer as seguintes funções: lavagem de roupa ou tecidos declarados idóneos pelo fabricante para o tratamento em máquina na etiqueta própria. Qualquer outro uso deve ser considerado impróprio. **O fabricante declina toda e qualquer responsabilidade por utilizações diferentes das indicadas.**
- A placa de identificação que contém os dados técnicos, o número de série e a marcação, está posicionada de maneira bem visível na parte à vista após a abertura da porta de óculo. **A placa de identificação nunca deve ser removida.**
- **Os trabalhos eléctricos e hidráulicos necessários para a instalação dos aparelhos devem ser executados somente por pessoal qualificado.**

- É obrigatório que o aparelho tenha a ligação de terra de acordo com as modalidades previstas pelas normas de segurança das instalações eléctricas. **O fabricante declina toda e qualquer responsabilidade por eventuais danos pessoais ou materiais derivantes da falta de ligação ou da ligação defeituosa da linha de terra.**
- Se o aparelho não for ligado por meio de uma ficha, será preciso instalar um dispositivo de separação omnipolar com a abertura para contacto de pelo menos 3 mm.
- A ficha a ligar ao cabo de alimentação e a respectiva tomada têm de ser do mesmo tipo e estar em conformidade com as normas em vigor. Verifique se os valores de tensão e frequência de rede coincidem com os indicados na placa de identificação. Evite o emprego de adaptadores ou derivadores. Nunca desligue a ficha puxando o cabo de alimentação.
- **A máquina está desligada da rede de alimentação eléctrica só se a ficha tiver sido extraída da tomada ou se foi desligado o interruptor geral da instalação eléctrica. A ficha deve ficar acessível após a instalação.**
- O aparelho deve ser instalado utilizando novos jogos de tubos flexíveis (que equipam o aparelho). Os velhos jogos de tubos flexíveis, não devem ser reutilizados.
- Preste atenção: o aparelho não deve apoiar sobre o cabo de alimentação eléctrica.
- A máquina de lavar roupa não deve, de maneira alguma, ser utilizada em veículos, a bordo de navios ou de aviões, ou em ambientes que apresentem condições particulares tais como, por exemplo, atmosferas explosivas ou corrosivas (poeiras, vapores e gases) ou líquidos explosivos e/ou corrosivos.
- Não coloque a máquina de lavar roupa em ambientes expostos ao gelo. Tubos gelados podem explodir sob pressão.
- Assegure-se de que o tubo de saída, enganchado ao lavatório, **esteja firmemente bloqueado e não possa mover-se.**
- Se não estiver bloqueado, a força repulsiva de água poderia deslocá-lo do lavatório com **perigo de inundação.**
- Ao enganchar o tubo a um lavatório **verifique também se a água escorre rapidamente pelo mesmo para evitar perigos de extravasamento do lavatório.**
- Não sobrecarregue a máquina.
- Em nenhum caso deve-se utilizar na máquina de lavar roupa detergentes que contenham solventes ou produtos químicos, para a lavagem. **Poderiam provocar danos na máquina e formar vapores venenosos. Estes também poderiam incendiar-se e explodir.**
- Peças de vestuário molhadas com produtos petrolíferos não devem ser lavadas na máquina. Antes da lavagem, verifique se no vestuário não se encontram aparelhos inflamáveis (exemplo: isqueiros, fósforos, etc.)
- Se forem utilizados fluidos voláteis para a limpeza, certifique-se de que as substâncias tenham sido removidas da peça de vestuário antes de introduzi-la na máquina.
- Antes de introduzir as peças de vestuário para a lavagem, certifique-se de que os bolsos estejam vazios, os botões bem apertados e os fechos «eclair» fechados.
- Evite lavar roupas desfiadas ou rasgadas.
- Quando se faz a lavagem com temperaturas elevadas, o vidro do óculo aquece-se muito.
- **Antes de abrir a porta de óculo, verifique se a água foi completamente descarregada.**
- Se houver água, abra a porta de óculo somente depois de tê-la descarregado. Se tiver dúvidas, leia o manual de instruções.
- **A água na máquina não é potável!**
- Ingerir detergentes para máquinas de lavar roupa pode causar lesões na boca e na garganta.
- Antes de tirar a roupa da máquina de lavar, **certifique-se de que o tambor esteja parado.**
- No fim de cada utilização, desligue a máquina para evitar dispersão de energia eléctrica.
- Entre uma lavagem e a outra, deixe a porta de óculo entreaberta para manter a guarnição em boas condições.
- Em caso de funcionamento anómalo **nunca tente reparar a máquina autonomamente.** Desligue a máquina da rede eléctrica e feche a torneira de água. Em seguida, contacte um técnico qualificado. **As reparações devem ser feitas somente por pessoal qualificado.**
- **O aparelho destina-se a ser utilizado por pessoas adultas.** Não consinta às crianças manipular os comandos ou brincar com a máquina de lavar roupa e **não mantenha as crianças por perto durante o desenvolvimento do programa.**
- As crias de animais ou as crianças pequenas poderiam introduzir-se dentro máquina de lavar roupa.
- Verifique sempre o interior do tambor antes do uso e **evite que as crianças brinquem com o aparelho.**

-
- Quando a porta de óculo ou a gaveta para o detergente estiverem abertas, deve-se manter as crianças longe da máquina; no aparelho poderiam estar presentes resíduos de detergente que podem causar danos irreparáveis nos olhos, na boca e na garganta, provocando também a morte por sufocamento.
 - O aparelho não se destina à utilização por pessoas (incluindo as crianças) com capacidades mentais, sensoriais ou físicas reduzidas, ou desprovidas da experiência e conhecimentos necessários, a não ser que sejam adequadamente supervisionadas ou instruídas sobre o uso do aparelho por uma pessoa responsável pela segurança delas.
 - Não conservar líquidos inflamáveis perto do aparelho.

Período de inactividade prolongada.

- Se tiver de deixar a máquina inactiva por um longo período de tempo é recomendável: desligar as conexões eléctricas e hidráulicas e deixar a porta de óculo entreaberta para evitar a estagnação de maus cheiros.

Importante!

O uso deste aparelho é fácil.

Todavia, para obter os melhores resultados, antes de pôr o aparelho em funcionamento, é importante ler com muita atenção este manual e seguir todas as instruções.

O manual, além de dar conselhos úteis, fornece as indicações correctas sobre a instalação, uso e manutenção.

O fabricante declina toda e qualquer responsabilidade por eventuais ferimentos em pessoas ou danos em objectos provocados pelo não cumprimento das normas supracitadas ou pela modificação de qualquer peça do aparelho e pela utilização de peças sobresselentes não genuínas.

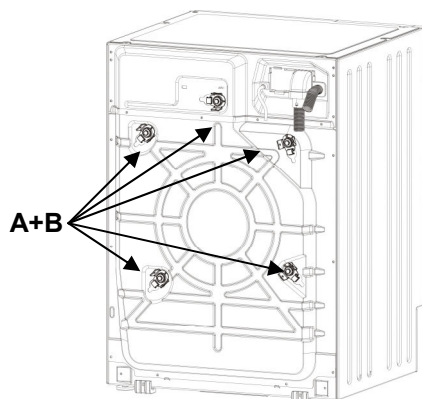
2. INSTRUÇÕES PARA A INSTALAÇÃO

Importante!

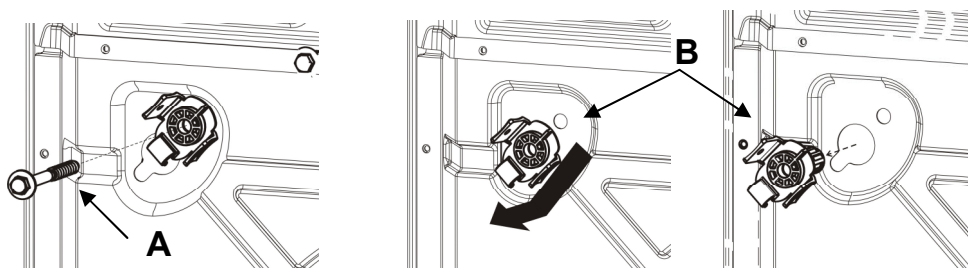
O aparelho deve ser instalado por um técnico especializado e de acordo com as normas em vigor. A máquina de lavar roupa tem um peso considerável. Levantá-la com prudência.

2.1 DESEMBALAGEM

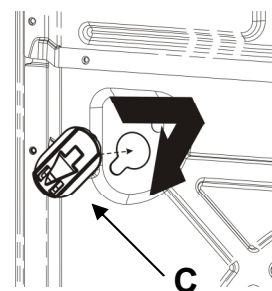
O grupo oscilante é bloqueado para o transporte pelos parafusos (A) colocados na parte traseira da máquina de lavar roupa, com os respectivos distanciadores de plástico (B). A desmontagem dos parafusos permite utilizar o cabo de alimentação eléctrica.



1. Desaperte **todos** os parafusos com a chave de 10 mm
2. Tire da parte traseira **todos** os parafusos (A)
3. Tire **todos** os distanciadores de plástico (B)



4. Monte **todas** as tampas de plástico fornecidas com a máquina (C), para evitar que salpicos de água penetrem no interior da máquina ou para evitar o contacto com partes sob tensão.

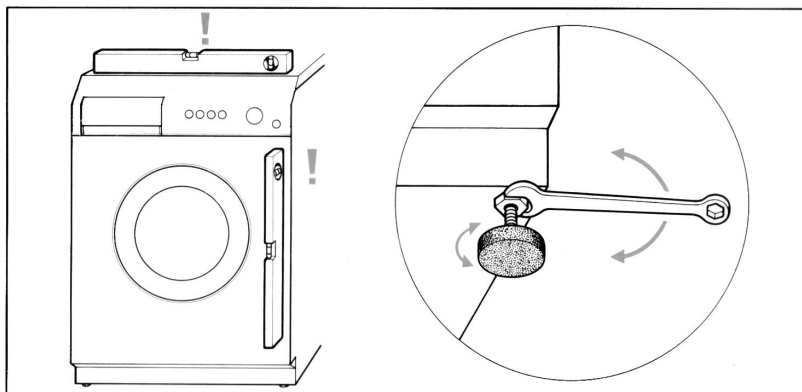


Atenção!

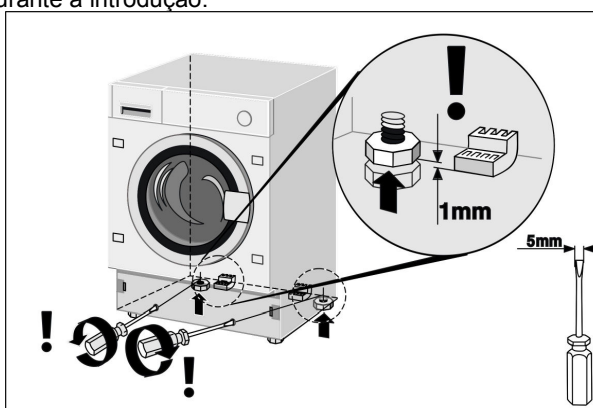
- **Não** vire a máquina e não a coloque de lado.
- É aconselhável conservar todos os sistemas de segurança utilizados para o transporte para que possam ser recolocados caso o aparelho seja transferido.

2.2 POSICIONAMENTO E NIVELAMENTO

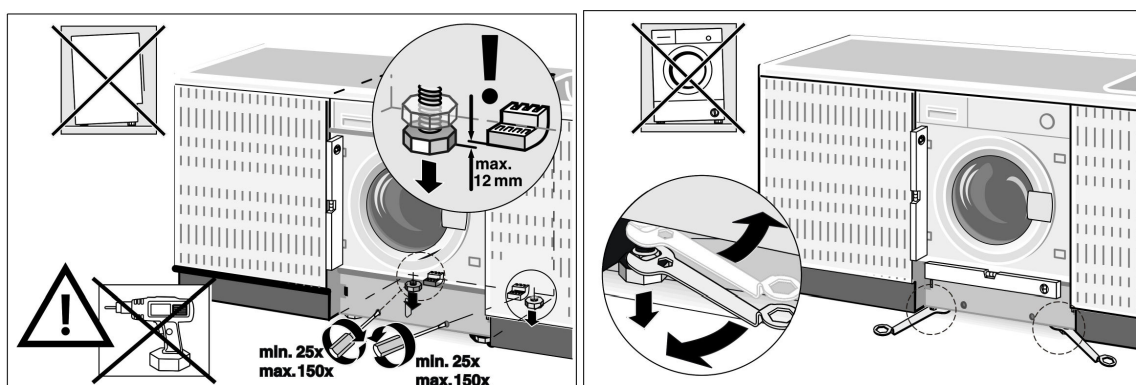
1. Coloque a máquina na posição escolhida.
2. Nivele cuidadosamente a máquina em todas as direcções, com auxílio de uma bolha de nível, regulando se necessário a altura dos pés de apoio. Uma vez efectuada a regulação, bloqueie os pés de apoio com as contraporcas específicas.



3. Se a máquina estiver equipada com **pés de apoio reguláveis traseiros**, é importante fazer com que a parte traseira da máquina não fique apoiada sobre os pés, mas sim sobre os patins próprios. Antes de encastrar a máquina nos móveis da cozinha, verifique se os pés de apoio traseiros estão totalmente atarraxados, para evitar que sofram danos durante a introdução.



Depois de encastrar o aparelho nos móveis da cozinha, é necessário regular os pés de apoio traseiros para evitar que a máquina fique apoiada sobre os patins. Uma vez regulado os pés de apoio traseiros, proceda com o nivelamento da máquina e fixação dos pés de apoio dianteiros.



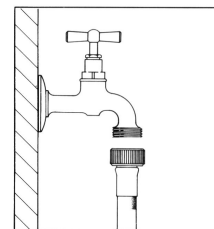
Os tubos para a alimentação e descarga de água podem ser orientados para a direita ou para a esquerda, para permitir uma instalação adequada.

Atenção!

- **Recomenda-se executar esta operação com muito cuidado de forma a evitar que durante o uso, ocorram vibrações, ruídos ou deslocações da máquina de lavar roupa.**
- **Se a máquina for instalada sobre um pavimento alcatifado, será preciso verificar se as aberturas na parte inferior da máquina de lavar roupa não ficam obstruídas.**
- Além disso, certifique-se de que durante o funcionamento, a máquina de lavar roupa não fique apoiada a muros, paredes, móveis, etc.
- A máquina não deve ser instalada por trás de uma porta bloqueável, porta de correr ou uma porta com dobradiça na parte oposta.

2.3 CONEXÃO À TOMADA DE ÁGUA

1. Verifique se a pressão de alimentação está compreendida entre os seguintes valores: **0,05-0,9MPa**. Se a pressão for superior, instale um redutor de pressão.
2. Ligue o tubo de alimentação de **água fria** (aro de cor **azul clara**) à torneira de água fria com boca roscada $\frac{3}{4}$ gas, tendo o cuidado de aparafusá-la firmemente para evitar fugas. O tubo de entrada de água não deve ficar dobrado nem esmagado e não deve ser mudado ou cortado. As partes roscadas devem ser apertadas exclusivamente à mão.
3. Se estiver presente a alimentação com **água quente**, a temperatura da água que é fornecida não deve ser superior a 60°C e o tubo com aro de cor **vermelha** deve ser ligado à torneira que fornece água quente.

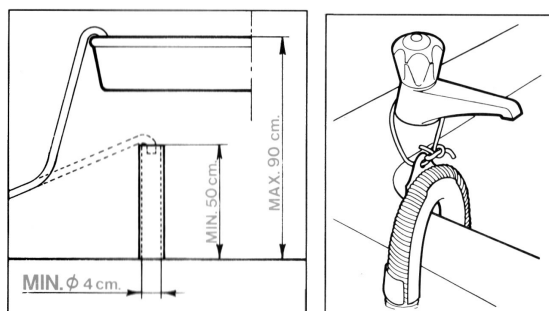


Atenção!

- Se a ligação for feita com tubagens novas ou que tenham permanecido em desuso por muito tempo, é preciso fazer correr uma certa quantidade de água antes de inserir o tubo de entrada. Desta forma, evita-se que eventuais depósitos de areia e outras impurezas possam entupir os filtros que equipam a máquina para proteger as válvulas de entrada água.
- O novo tubo de alimentação fornecido com a máquina deve ser utilizado e o velho tubo de alimentação não deve ser utilizado.

2.4 CONEXÃO AO ESCOAMENTO

1. Introduza a extremidade do tubo de saída numa conduta de drenagem com diâmetro interior mínimo de 4 cm e a uma altura compreendida entre 50 e 90 cm, ou então bem enganchado (utilizando o suporte de plástico na curva do tubo) a um lavatório ou banheira.



2. Seja como for, verifique se a extremidade do tubo de saída fica sempre bem fixada para impedir que a força repulsiva da água consiga afastá-la da sua posição.

Atenção!

- Para favorecer o fluxo de água, evite dobras ou estrangulamentos.
- O eventual prolongamento do tubo de saída de água não deve ser superior a 1 metro, deve possuir o mesmo diâmetro interior e não deve apresentar estrangulamentos de algum tipo.
- Em nenhum caso a extremidade do tubo de saída deve ficar submersa em água.

2.5 LIGAÇÃO ELÉCTRICA

Antes de introduzir a ficha na tomada de corrente certifique-se de que:

1. O valor da tensão de alimentação da instalação eléctrica corresponda ao valor indicado na placa de características colocada na parte dianteira, na zona visível com a porta de óculo aberta. O valor da potência ligada e os fusíveis necessários estão indicados na placa.
2. O contador, as válvulas limitadoras, a linha de alimentação e a tomada de corrente sejam dimensionados para suportar a carga máxima requerida e indicada na placa das características.
3. A tomada de corrente e a ficha que equipam a máquina sejam compatíveis entre elas sem a intercalação de reduções, tomadas múltiplas, adaptadores vários, e extensões que poderiam provocar aquecimentos ou queimaduras.
Se a tomada de corrente não corresponder à ficha fornecida, substitua a tomada da instalação por uma de tipo apropriado.

Atenção

- A ficha deve ficar acessível após a instalação.
- **É absolutamente necessário efectuar a ligação à terra do aparelho.** Introduza a ficha numa tomada de corrente provida de um eficiente sistema de ligação à terra.

A nossa empresa declina toda e qualquer responsabilidade por eventuais danos pessoais ou materiais que derivem da ausência de ligação e da ligação defeituosa à linha de ligação de terra. Uma ligação eléctrica correcta garante a máxima segurança.

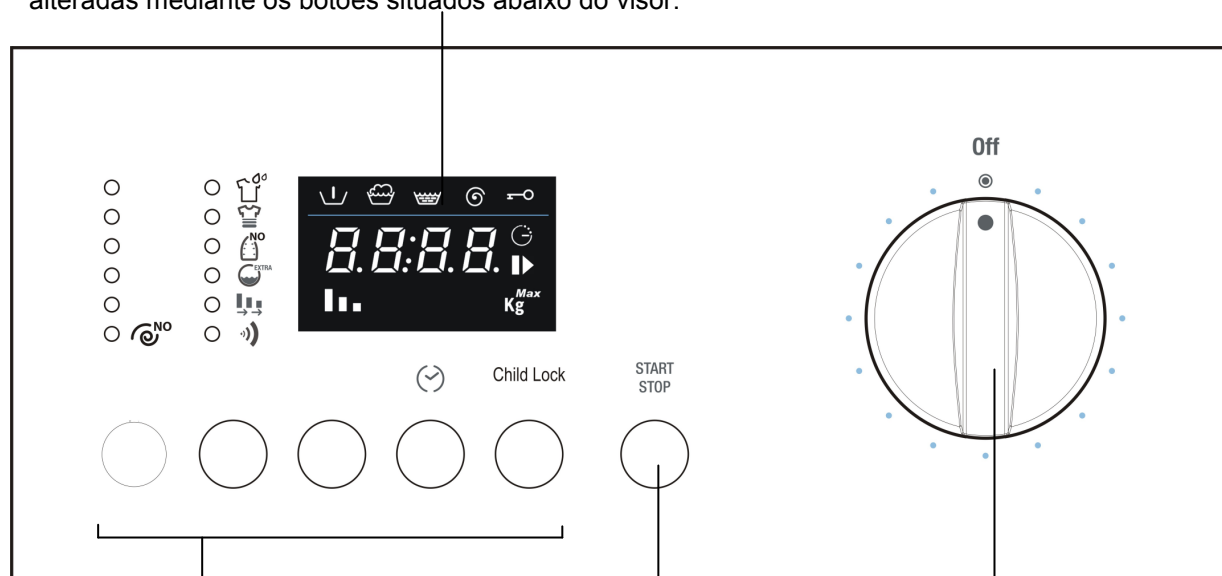
- Este aparelho cumpre com as prescrições da directiva 89/336/CEE de 3.5.89 (incluindo a directiva de alteração 92/31/CEE) relativa à eliminação de distúrbios rádio.
- Se o cabo de alimentação apresentar danos, deverá ser substituído somente por uma peça sobressalente genuína, disponível no Serviço de Assistência.
- **Não introduza/extraia a ficha de alimentação da tomada com as mãos molhadas.**
- **Retire a ficha de alimentação da tomada somente pegando directamente na ficha, e não no cabo.**

3. DESCRIÇÃO DOS COMANDOS

3.1 PAINEL DE COMANDOS

Todos os comandos e dispositivos de controlo do aparelho estão reunidos no painel frontal.

Visor: visualiza as programações (velocidade de centrifugação, estado dos programas, activação da protecção para crianças, flexi time, peso máximo aconselhado). As programações podem ser alteradas mediante os botões situados abaixo do visor.



Botões (da esquerda para a direita):
Seleção da velocidade de centrifugação
Seleção da opção
Confirmação da opção
Início retardado
Child Lock

Botão Início/Pausa:
 Para iniciar e interromper os programas de trabalho.

Selector de Programas
 Para ligar e desligar a máquina e seleccionar os programas. Rotação possível em ambas as direcções. O selector não gira durante a execução dos programas.

4. UTILIZAÇÃO DA MÁQUINA

4.1 PREPARAÇÃO DA ROUPA

1. Divida a roupa a lavar de acordo com o tipo de tecido e resistência das cores.
2. Lave separadamente roupa branca e roupa colorida. Na primeira vez que lavar peças de roupa coloridas novas, sugerimos lavá-las separadamente. Normalmente, nas peças de roupa é aposta uma etiqueta que fornece indicações úteis sobre como se deve tratar a peça em questão. Fornecemos a seguir uma breve descrição dos símbolos destas etiquetas.

LAVAGEM		BRANQUEAMENTO			
	Lavagem máx. 90°	 Pode-se branquear		 Não branquear	
	Lavagem máx. 60°				
		PASSAR A FERRO			
	Lavagem máx. 40°	 Temperatura Alta	 Temperatura Média	 Temperatura Baixa	 Não passar a ferro
	Lavagem máx. 30°				
		LIMPEZA A SECO			
	Lavagem delicada máx. 60°	 Todos os solventes	 Todos menos tricloroetileno	 Gasolina Avio e R113	 Não limpar a seco
	Lavagem delicada máx. 40°				
	Lavagem delicada máx. 30°				
		SECAGEM APÓS A LAVAGEM			
	Lavar à mão	 temperatura Alta	 Temperatura inferior a 60°	 Não secar	
	Não Lavar				

Atenção!

- Evite a lavagem de roupa sem bainhas ou rasgada porque poderia desfiar-se.
- Os corpos estranhos podem causar danos nas peças de vestuário ou nos componentes da máquina de lavar roupa. Por isso: esvazie os bolsos e ponha-os ao avesso, remova os ganchos das cortinas ou então envolva-os num saquinho de rede.
- Lave as peças de roupas pequenas (cintos, lenços, peúgas, soutiens com reforços, etc.) colocando-as num saco de tecido branco fechado. Feche os botões automáticos, os fechos «éclair», pregue os botões soltos.
- O uso dos detergentes modernos e da temperatura de lavagem correcta geralmente é suficiente para eliminar as nódoas dos tecidos. Todavia, algumas nódoas difíceis tais como erva, fruta, ovos, sangue, ferrugem, caneta, etc., devem ser pré-tratadas antes da lavagem. **Dependendo do tipo de tecido, encontram-se à venda numerosos produtos para o tratamento das nódoas. Em todo o caso, sugerimos de limpar ou diluir imediatamente as nódoas, porque quanto mais são antigas, mais são difíceis de remover.**
- **Não respeitando os símbolos de tratamento dos tecidos, podem verificar-se danos na roupa.**

Lana – Somente a lã marcada pura lã virgem identificada pela marca ou então com a etiqueta <<tratada, não encolhe, lavável em máquina de lavar roupa>> pode ser lavada na máquina no programa específico; os outros tipos de lã é preferível lavá-los à mão ou a seco.

4.2 ABERTURA DA PORTA DE ÓCULO

A máquina está equipada de um dispositivo de segurança que impede a abertura da porta de óculo durante o desenvolvimento do programa.

1. **Verifique se a água foi totalmente descarregada da cuba e se o tambor está parado.**

Atenção!

- No caso de interrupção do programa de lavagem é preciso aguardar de 3 a 15 minutos dependendo da temperatura interna alcançada pela máquina.

Atenção!

A água ainda pode estar muito quente se a lavagem foi efectuada a temperaturas elevadas. Se dentro do tambor ainda houver água, evite abrir a porta!

4.3 CARREGAR A ROUPA

Na medida do possível, **na óptica de poupar energia eléctrica, é conveniente completar a carga para os vários tipos de tecido.** Introduza a roupa bem solta alternando peças de grandes dimensões e peças pequenas. Para as primeiras vezes, sugerimos pesar as cargas de roupa. Em seguida, será suficiente a experiência adquirida.

4.4 INTRODUIZIR A ROUPA

1. Abra a porta de óculo e introduza a roupa distribuindo-a uniformemente, bem aberta e não amontoada no tambor; peças grandes e pequenas possivelmente misturadas.
2. A máquina de lavar roupa, acompanhada pelo presente manual, pode ser **carregada até um máximo de 7kg** de roupa para cada lavagem. Introduzindo uma quantidade maior obter-se-ão resultados de lavagem não satisfatórios e prováveis maus funcionamentos da máquina.
3. **Para poupar energia é conveniente completar a carga** para os vários tipos de tecido respeitando a quantidade indicada na "Tabela de programas" fornecida junto com este manual.
4. Feche a porta apertando-a contra o caixilho até ouvir o estalido do fecho. Não empilhe peças de roupa entre a porta de óculo e a guarnição de borracha.

Atenção!

- Se a porta não estiver bem fechada, um dispositivo de segurança impede pôr a máquina de lavar roupa em funcionamento.
- **Não ultrapasse a quantidade máxima de carga: uma carga excessiva piora o resultado de lavagem.**

4.5 INTRODUÇÃO DE DETERGENTE E ADITIVO

A gaveta interna é composta por três compartimentos marcados com os símbolos



detergente para pré-lavagem

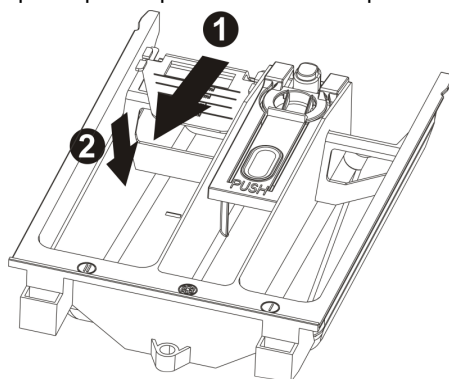


detergente para a lavagem



para o amaciador, goma, aditivos, etc. (ex. produtos para o tratamento). Os aditivos são introduzidos automaticamente na cuba de lavagem durante o último enxaguamento.

No compartimento da lavagem está presente a lingueta para poder utilizar o detergente líquido. Para introduzi-la, puxar para a parte dianteira e depois baixá-la.



Seguindo as indicações da "Tabela de programas" fornecida junto com este manual introduza, antes do início do programa e na respectiva gaveta, o detergente e os eventuais aditivos.

O nível dos líquidos não deve todavia ultrapassar a indicação máxima, caso contrário as caixas iriam esvaziar-se muito cedo.

Antes de deitar os aditivos densos na respectiva caixa, dilua-os com um pouco de água para impedir que o sifão possa obstruir-se.

Utilize unicamente detergentes de espuma controlada indicados para o uso em máquina de lavar roupa.

Determine a quantidade de detergente em função da dureza da água, tipo e quantidade de roupa carregada e do grau de sujidade da mesma.

Deste modo obter-se-á o efeito desejado e um consumo óptimo de detergente.

Nas embalagens dos detergentes a quantidade de dosagem é indicada segundo 4 níveis de dureza e para cargas de 4-5 kg de roupa normalmente suja.

Peça as informações relativas ao grau de dureza de água à companhia de fornecimento de água competente.

Dureza da água

Nível de dureza	Graus franceses fH	Graus alemães dH
Doce	Até 15°	Até 8°
Média	15° - 25°	8° - 14°
Dura	25° - 40°	14° - 22°
Muito dura	Superior a 40°	Superior a 22°

4.6 DOSAGEM DE DETERGENTES EM PÓ

Roupa normalmente suja

1. Escolha um programa sem pré-lavagem.
2. Introduza no compartimento para lavagem da gaveta de detergente, a quantidade total de detergente indicada na embalagem.

Roupa muito suja

1. Escolha um programa com pré-lavagem.
2. Introduza no compartimento para pré-lavagem da gaveta do detergente, $\frac{1}{4}$ da quantidade de detergente aconselhada e no compartimento para lavagem, $\frac{3}{4}$ do detergente recomendado.

Atenção!

- Se faltarem indicações de dosagem para a roupa delicada em fibra sintética, doseie de $\frac{1}{2}$ a $\frac{2}{3}$ da quantidade de dosagem indicada para a lavagem dos tecidos resistentes de algodão.
- Para o programa lã recomenda-se empregar somente detergentes neutros para lã.
- Efectue a dosagem com base nos dados fornecidos pelo fabricante do detergente.

4.7 DOSAGEM DE DETERGENTES LÍQUIDOS

1. Deite no doseador fornecido com o recipiente do detergente líquido, a dose necessária e introduza-o dentro do tambor; ou então utilize o compartimento de lavagem da gaveta do detergente, introduzindo na mesma a inserção específica.
2. A escala na inserção vermelha é prevista como auxílio para a dosagem do detergente líquido.

Atenção!

- Os detergentes líquidos podem ser utilizados segundo a dose prevista pelo fabricante **somente para a lavagem principal, ou seja em todos os programas sem pré-lavagem.**

4.8 DESCALCIFICADORES

Os descalcificadores podem ser adicionados de acordo com as indicações dos fabricantes nos compartimentos para pré-lavagem e lavagem.


Introduza nos compartimentos primeiro o detergente e depois o descalcificador.

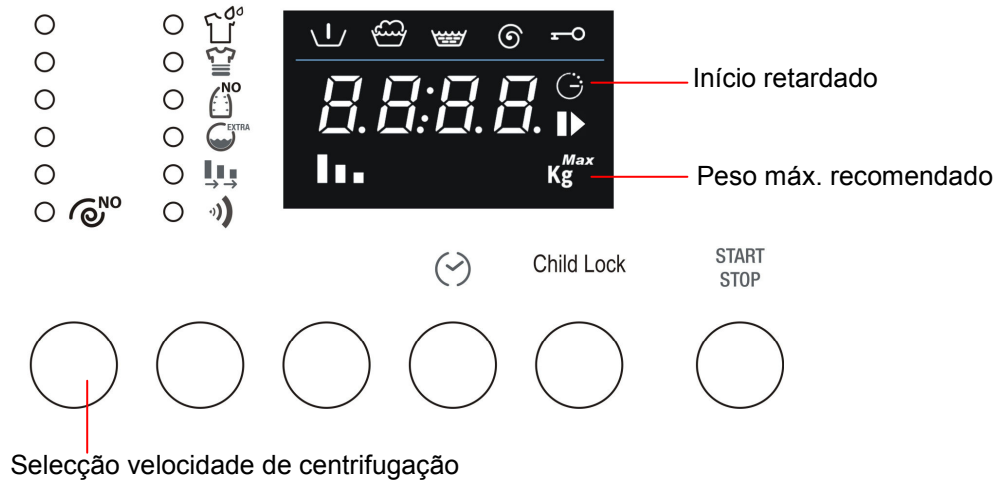
4.9 PROGRAMAS E FUNÇÕES

Para a selecção dos programas em função do tipo de tecido, consulte a "Tabela de programas" fornecida junto com este manual (Dentro do saco de acessórios).

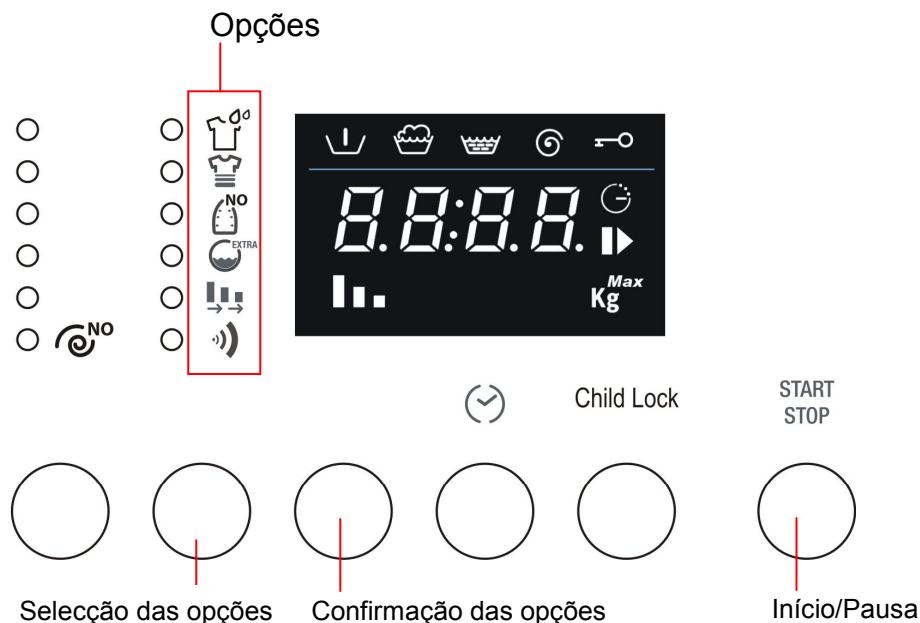
4.10 LIGAR A MÁQUINA E SELECIONAR O PROGRAMA DE LAVAGEM

Para ligar e seleccionar os programas proceda conforme indicado a seguir:

1. Rode o manípulo dos programas num dos dois sentidos. Desta maneira, liga-se a máquina de lavar roupa.
2. Selecciono o programa de lavagem. No visor alternam-se o tempo residual para o fim do programa e o peso máximo aconselhado para o programa seleccionado. Dependendo do que for visualizado, acendem os símbolos correspondentes no visor.
3. São mostrados os valores predefinidos para a velocidade de centrifugação. É possível alterar as programações iniciais utilizando o botão situado abaixo da sequência das velocidades de centrifugação.
4. A velocidade de centrifugação igual a , significa exclusão da centrifugação e paragem com a cuba cheia. Seleccionando este valor a máquina não realiza a centrifugação final e termina o programa de lavagem com a água na cuba.



4.11 SELECÇÃO E CONFIRMAÇÃO DAS OPÇÕES



1. Através do botão de Seleccção das opções é possível seleccionar em sucessão as seguintes opções (de cima para baixo):

Pré-lavagem: activação de uma fase anterior à lavagem, que dura cerca de 20 minutos e é feita com temperatura de 35°C. Adequada para as cargas nas quais as peças de roupa estão muito sujas.

Intensivo: a temperatura máx. é de 60°C e a fase de lavagem é prolongada para aumentar a eficácia das enzimas presentes nos detergentes. Adequado para peças de roupa delicadas, mas sujas.

Engomar fácil: permite reduzir ao mínimo a formação de rugas nas roupas no fim da lavagem, que serão mais fáceis de passar a ferro.

Water plus: Aumenta a quantidade de água utilizada na lavagem e nos enxaguamentos.

Em alternativa **Enxaguamento adicional:** esta opção acrescenta um enxaguamento ao programa de lavagem seleccionado.

Flexi Time: permite reduzir a duração do programa. As três barras luminosas do símbolo ficam completamente acesas com a duração inicial para o programa seleccionado. Seleccionando a opção, é possível reduzir ainda mais a duração a um nível intermédio, a um nível mínimo e voltar à duração inicial, premindo repetidamente o botão Set.

Em alternativa **Rápido:** permite reduzir a duração do ciclo de lavagem. Adequado para pouca roupa, pouco suja.

Buzzer: é possível activar/desactivar o sinal acústico de fim do ciclo. A máquina é fornecida com a opção activada.

2. Para confirmar a opção seleccionada, é suficiente pressionar o botão de Confirmação das opções e o LED da opção permanece aceso.
3. Para anular a selecção de uma opção, é suficiente voltar à opção com a tecla Seleccção das opções e pressionar o botão de Confirmação das opções. Para desactivar numa só operação a selecção de todas as opções confirmadas anteriormente, é suficiente manter premido o botão de Confirmação das opções durante 4 segundos.
4. A opção Buzzer mantém a selecção feita também para os ciclos seguintes. É desactivada automaticamente somente com o programa Night Wash.

4.12 TEMPO RESIDUAL

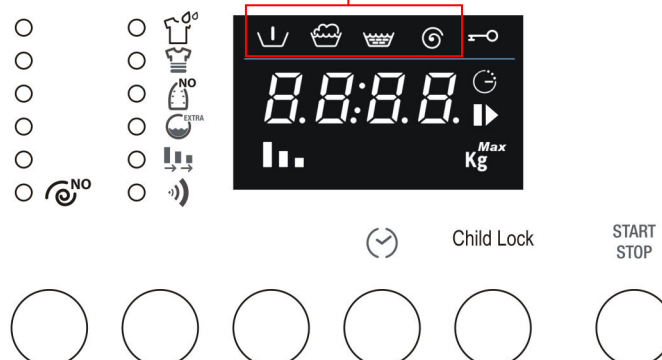


1. Premindo repetidamente o botão Início retardado é possível seleccionar depois de quanto tempo o programa de lavagem irá terminar. O tempo para o fim do ciclo leva em conta a duração inicial do ciclo de lavagem, as programações feitas (temperatura, velocidade de centrifugação e opções), que podem reduzir ou alargar a duração inicial do ciclo, e o tempo de espera que o utilizador deseja acrescentar antes do início do ciclo.
2. Depois de programar o Início retardado, o símbolo no visor permanece aceso.
3. Para remover a selecção da função de Início retardado, é necessário pressionar repetidamente o botão até aparecer o valor 0 no visor.
4. Até ao início do ciclo, o símbolo Início/Pausa pisca. Depois do início do ciclo, o símbolo fica aceso com luz fixa.

4.13 INÍCIO DO PROGRAMA DE LAVAGEM

1. Para iniciar o programa de lavagem, depois de personalizar as programações, pressione o botão Início/Pausa.
2. Após o início, o visor mostra o tempo residual para chegar ao fim do programa e o símbolo Início/Pausa no visor permanece aceso.
3. Durante a execução do programa de lavagem os símbolos que indicam as fases acendem:

Símbolos das fases de um ciclo: Pré-lavagem, lavagem, enxaguamentos e centrifugação final.



4.14 INTERRUPTÃO OU ALTERAÇÃO DO PROGRAMA DE LAVAGEM


O programa de lavagem, durante a execução, pode ser interrompido a qualquer momento:

1. pressione o botão "Início/Pausa" durante cerca de 3 segundos: o visor visualiza alternadamente a palavra PAUS (durante 1 segundo) e o tempo que falta para o fim (durante 1 segundo). A luz-piloto Início/Pausa pisca.
Também pode-se interromper o programa de lavagem rodando o manípulo de selecção dos programas/temperaturas durante a execução do ciclo.
2. Caso deseje mudar o programa de lavagem, é suficiente seleccionar o programa novo por meio da rotação do manípulo dos programas, sem ter de colocar a máquina em pausa. O novo programa de lavagem será executado completamente desde o início do mesmo. Se no programa precedente a água já tinha sido carregada na cuba, o novo programa iniciará sem a fase de carregamento de água.
3. Para recomeçar novamente o programa, pressione de novo o botão Início/Pausa.

4.15 FIM DO PROGRAMA

Os programas de lavagem são concluídos automaticamente, o visor mostra a palavra END e a luz-piloto “Tempo residual” apaga.

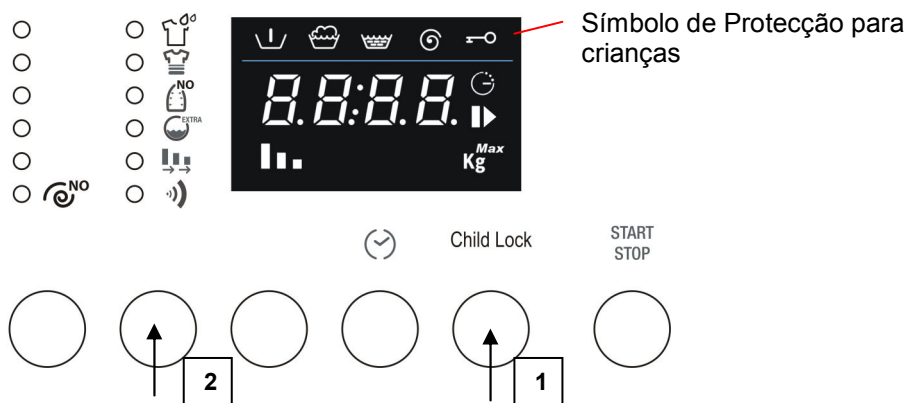
1. **Desligue a máquina colocando o manípulo dos programas na posição OFF.**
2. Descarregue a roupa do tambor.
3. Deixe a porta entreaberta para permitir a secagem do compartimento interno da máquina de lavar roupa.
4. **Feche a torneira de entrada de água.**

Se na fase inicial de regulação da velocidade de centrifugação tinha sido seleccionada a exclusão da centrifugação e paragem com cuba cheia  (velocidade de centrifugação igual a 0), no fim do programa de lavagem é visualizada no visor a escrita STOP, alternada com a escrita ---- (velocidade de centrifugação igual a 0) e a luz-piloto de visualização de centrifugação fica acesa.

Para prosseguir com a descarga e a centrifugação, pressione duas vezes o botão de selecção da centrifugação. A máquina recomeça o programa com a descarga e centrifugação. Para seleccionar a velocidade desejada de centrifugação, pressione o botão até ser visualizada a velocidade pretendida. Se pretender descarregar a água presente na cuba sem executar a centrifugação, pressione o botão de selecção da centrifugação, até aparecer a velocidade 00, indicando que a descarga será efectuada sem a fase de centrifugação.

4.16 PROTECÇÃO PARA CRIANÇAS

1. Activando esta função, fica impedida a alteração das opções, temperaturas, velocidade de centrifugação e o programa de lavagem durante a sua execução.

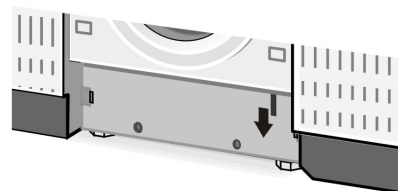


2. Para activar a função de Protecção para crianças, é necessário pressionar e manter pressionado o botão Child Lock (1). No prazo de 3 segundos, pressionar também o botão de Selecção das opções (2).
3. A iluminação do símbolo da Protecção para crianças indica que a função está activada.
4. Para desactivar a função, repita o mesmo procedimento.

4.17 ABERTURA DE EMERGÊNCIA

Se faltar a energia eléctrica, a porta de óculo abre-se mediante destravamento mecânico, representado pela lingueta situada na parte inferior do aparelho:

- Gire o manípulo para a posição OFF e tire a ficha da tomada de alimentação eléctrica.
- Descarregue a água de lavagem (consulte o parágrafo 5.4).
- Puxe a lingueta para baixo e abra a porta de óculo.



Atenção, perigo de queimaduras: antes de abrir a porta de óculo, certifique-se de que no interior da máquina não esteja presente água ou água quente e detergente que, com a abertura da porta de óculo, poderia sair e provocar danos.

Atenção: não abra a porta de óculo com a abertura de emergência enquanto o tambor estiver a rodar.

5. LIMPEZA E MANUTENÇÃO

Importante – Antes de executar qualquer operação de limpeza ou manutenção, é preciso extrair a ficha da tomada de corrente.

5.1 LIMPEZA EXTERNA

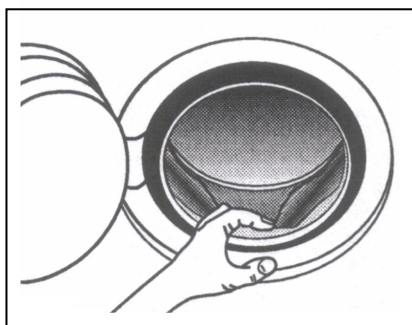
- Uma limpeza regular e constante permite manter inalterado o aspecto do seu aparelho.
- O exterior do aparelho deve ser limpo somente com água e sabão e, depois enxugado cuidadosamente com um pano macio.
- As partes em plástico devem ser limpas somente com um pano húmido.
- Não raspe com objectos pontiagudos e evite o uso de solventes ou produtos que contenham abrasivos porque danificam as superfícies.
- **Por motivos de segurança nunca borrife jactos de água contra a máquina de lavar roupa.**

5.2 LIMPEZA DO TAMBOR

- Elimine eventuais manchas de ferrugem do tambor com um limpador especial para aço inoxidável ou para casos particularmente difíceis, com lixa muito fina.
- Para remover as incrustações de calcário da máquina de lavar roupa utilize unicamente descalcificadores de marca com anti-corrosivo para máquinas de lavar roupa.
- Respeite rigorosamente as indicações do fabricante para a utilização e dosagem.
- **Após os procedimentos de descalcificação e eliminação da ferrugem do tambor, execute alguns ciclos de enxaguamento para eliminar todos os resíduos de ácidos que poderiam provocar danos na máquina. Em nenhum caso utilize detergentes que contenham solventes. Existe o perigo que se formem vapores que poderiam incendiar-se e explodir.**

5.3 LIMPEZA DO VEDANTE DO ÓCULO

Verifique periodicamente se não há colchetes, botões, pregos, alfinetes nas dobras do vedante do óculo.



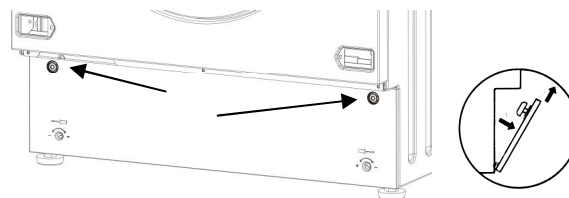
5.4 LIMPEZA DA BOMBA DE DESCARGA

A limpeza da bomba de descarga é necessária somente se a própria bomba estiver bloqueada por causa dos botões, colchetes ou objectos semelhantes e a água não for descarregada. Neste caso, proceda conforme indicado a seguir.

1. Retire a ficha da rede para desligar a máquina da fonte de alimentação eléctrica.

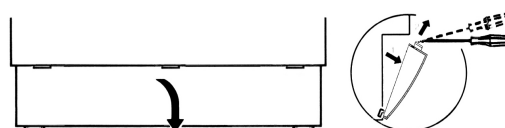
2. Dependendo do modelo proceda da seguinte maneira:

Modelo de encastrar/integração total – Para aceder à bomba, exerça a acção de alavanca com uma chave de parafusos de pequenas dimensões e solte as tampas indicadas na figura, girando em seguida o rodapé para baixo.



Modelo de instalação livre – Introduza uma chave de parafusos de pequenas dimensões nas aberturas feitas na parte dianteira do rodapé e, em seguida, exerça uma ligeira acção de alavanca com a chave de parafusos para cima de maneira a soltar a parte superior do rodapé do móvel.

Incline ligeiramente o rodapé para a frente e puxe para cima para o remover.

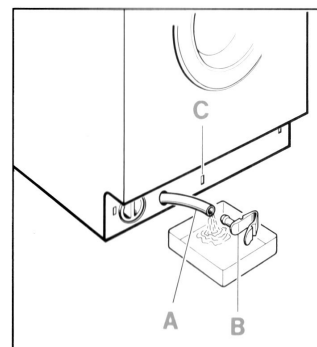


3. Extraia o tubo flexível de escoamento "A".

Atenção: o tubo quente indica que a água está quente ou muito quente. Coloque sobre o pavimento um recipiente baixo e retire a tampa "B" para descarregar a água.

Dependendo da carga de água pode ser necessário esvaziar o recipiente várias vezes.

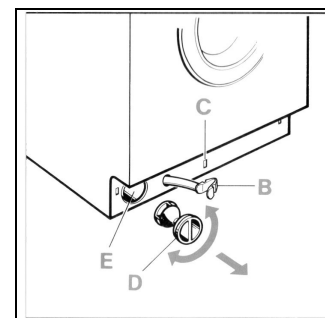
Quando não sair mais água, feche novamente o tubo flexível reaplicando firmemente a tampa "B".



4. Desenrosque a tampa da bomba "D" rodando-a para a esquerda.

Limpe e elimine os objectos estranhos do corpo da bomba.

Verifique também o interior "E" certificando-se de que o rotor rode livremente; poderiam estar encravados corpos estranhos que devem ser removidos.



5. Enrosque de novo a tampa da bomba.

Fixe o tubo flexível de escoamento introduzindo a tampa de mola no seu alojamento "C".

Instale, consoante o modelo, o rodapé conforme indicado a seguir:

Modelo de encastrar/integração total – Introduza o rodapé primeiro pela parte inferior. Empurre-o em direcção do móvel e fixe novamente as tampas.

Modelo de instalação livre – Introduza o rodapé primeiro pela parte inferior e depois empurre-o em direcção do móvel até encaixar.

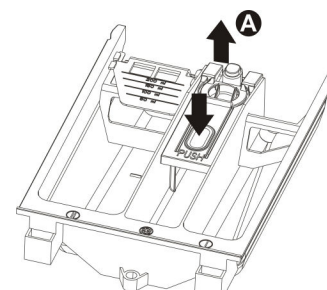
5.5 LIMPEZA DA GAVETA PARA OS DETERGENTES

Deve-se manter a gaveta para os detergentes isenta de incrustações.

Para facilitar esta operação, é preciso extrair completamente a gaveta dos detergentes do seu alojamento (puxe a gaveta até ao fundo, carregue na zona indicada com a palavra PUSH e, em seguida, extraia-a completamente).

Retire o sifão «A» e limpe tudo com água quente.

Reintroduza o sifão até ao fundo e, antes de introduzir a gaveta no seu alojamento, elimine os eventuais depósitos de detergente.



5.6 LIMPEZA DOS FILTROS DE ENTRADA DE ÁGUA

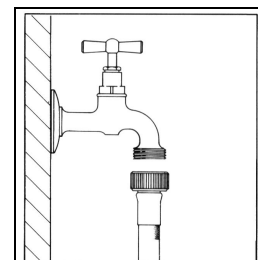
A máquina está equipada com um filtro para proteger as válvulas de entrada de água.

O filtro situa-se na conexão do tubo de alimentação que deve ser ligado à torneira.

O filtro deve ser limpo se a máquina de lavar roupa não carregar água ou se a quantidade de água que entra for insuficiente.

Para a limpeza proceda conforme indicado a seguir:

- **Retire a ficha da rede para desligar a máquina da fonte de alimentação eléctrica.**
- Feche a torneira de água.
- Desatarraxe a conexão do tubo de alimentação da torneira.
- Tire o filtro da conexão do tubo de entrada.
- Limpe o filtro com água e com o auxílio de uma escova.
- Ao atarraxar de novo a conexão do tubo de alimentação, verifique se o filtro está colocado na posição correcta.



6. ADVERTÊNCIAS EM CASO DE ANOMALIAS DE FUNCIONAMENTO

Este produto cumpre as normas vigentes de segurança relativas aos aparelhos eléctricos. Por motivos de segurança, eventuais controlos técnicos ou reparações devem ser executados somente por pessoal qualificado, para evitar perigos para o utilizador.





Se a máquina não funcionar, antes de chamar o serviço de Assistência, para evitar inúteis despesas, verifique pessoalmente se foram efectuadas as operações citadas nesta tabela de anomalias.

- | | |
|--|---|
| 1 A máquina não começa a funcionar | Verificar se: <ul style="list-style-type: none"> - a ficha está introduzida correctamente na tomada - a porta de óculo está bem fechada - foi pressionado o botão "Início/Pausa". |
| 2 Não carrega água | Verificar se: <ul style="list-style-type: none"> - a ficha está introduzida correctamente na tomada - a porta de óculo está bem fechada - a torneira da água está aberta - os filtros do tubo de alimentação de água não estão obstruídos - o tubo de alimentação hídrica não está preso ou dobrado. |
| 3 No tambor de lavagem não se vê água | Nenhuma avaria.
O nível de água é mais baixo do que o vidro do óculo porque as novas máquinas utilizam pouca água, obtendo os mesmos resultados de lavagem e enxaguamento. |
| 4 Não descarrega a água | Verificar se: <ul style="list-style-type: none"> - o tubo de saída não está dobrado - a bomba de descarga não está entupida. |
| 5 Não descarrega a água depois do último enxaguamento dos programas de lavagem delicados e lã | Não é uma anomalia. A interrupção é prevista pelo programa de lavagem para evitar a formação de rugas nos tecidos.
Para efectuar a descarga de água proceder conforme descrito no parágrafo (Fim do programa). |
| 6 A máquina carrega e descarrega em continuação | Verificar se a extremidade do tubo de saída não está demasiado baixa. |
| 7 Fortes vibrações durante as rotações de centrifugação | Verificar se: <ul style="list-style-type: none"> - A máquina está bem nivelada - a máquina de lavar roupa não está demasiado encostada a paredes ou móveis - o grupo oscilante interno foi desbloqueado. |
| 8 Forma-se demasiada espuma na cuba e sai pela gaveta | Verificar se: <ul style="list-style-type: none"> - o detergente usado é o previsto para máquinas automáticas e não para a lavagem à mão - o detergente foi utilizado na quantidade indicada no manual e não em quantidades superiores. |
| 9 Presença de água no pavimento | Verificar se: <ul style="list-style-type: none"> - as conexões do tubo de alimentação de água não estão desapertadas - a extremidade do tubo de saída não está deslocada da sua posição. |
| 10 O amaciador não é introduzido completamente ou fica demasiada água no compartimento | Verificar se os sifões na gaveta para o detergente estão colocados correctamente na respectiva sede ou não estão entupidos. |

- 11 A máquina não centrifuga** Activou-se a segurança anti-desequilíbrio porque a roupa não está uniformemente distribuída dentro do tambor. Portanto, se no fim do ciclo a roupa sair molhada, sugerimos distribuí-la à mão dentro do tambor e repetir unicamente o programa de centrifugação.
- 12 Esvaziamento de água pelo tambor** Se faltar a corrente eléctrica ou no caso de um problema da máquina de lavar roupa, pode-se efectuar o esvaziamento de emergência da água contida no interior do tambor.
- 13 A roupa não foi centrifugada correctamente** As grandes peças de roupa estão enroladas e não distribuídas uniformemente no tambor. É necessário lavar sempre peças de roupa grandes e pequenas.
- 14 Resíduos de detergente na roupa** Muitos detergentes sem fosfatos contêm substâncias dificilmente solúveis em água.
Selecione o programa Enxaguamento ou então escove a roupa.
- 15 O resultado da lavagem não é satisfatório**
- Provavelmente foi utilizado pouco detergente ou um detergente não adequado
 - As nódoas difíceis não foram submetidas a um pré-tratamento
 - Não foi escolhida a temperatura correcta
 - O tambor está demasiado carregado.

VISUALIZAÇÃO DE ERROS


Em caso de mau funcionamento a máquina indicará a anomalia por meio de um código de erro visualizado pelo visor.

<i>Código do erro</i>	<i>Descrição do problema</i>
	Porta de óculo não fechada correctamente. Tente fechá-la novamente.
	Activação do dispositivo Acqua stop. Contacte o centro de assistência mais próximo depois de cortar a alimentação eléctrica e fechar a torneira de água.
	Não carrega a água para a lavagem. Ver ponto 2 da lista de anomalias
	Não descarrega a água. Ver ponto 4 da lista de anomalias.

Para todos os outros códigos de erro visualizados, contacte o Centro de assistência mais próximo depois de cortar a alimentação eléctrica e fechar a torneira de água.

Содержание

1. Предупреждения по безопасности использования	2
2. Инструкции по установке	5
3. Описание органов управления	8
4. Использование машины для стирки	9
5. Чистка и обслуживание	16
6. Предупреждения на случай неисправностей или поломок	18

Данное изделие обладает маркировкой  по европейской директиве 2002/96/CE в области электрического и электронного оборудования (waste electrical and electronic equipment - WEEE).

Эта директива определяет нормы по сбору и утилизации списанного оборудования, действительные на всей территории Европейского Союза.

Символ перечеркнутого мусорного бака, приведенный на оборудовании или на упаковке, обозначает, что в конце своей рабочей жизни изделие должно утилизироваться отдельно от других отходов. Поэтому, в конце полезного срока эксплуатации пользователь должен сдавать изделие в специальные центры дифференцированного сбора электронных и электротехнических отходов или же сдать его дистрибьюторам при покупке нового изделия эквивалентного типа в отношении 1:1.

Правильный дифференцированный сбор отходов для последующей повторной экологически совместимой переработки, обработки и утилизации прибора способствует предотвращению возможных отрицательных последствий для окружающей среды и здоровья и повторной переработке материалов, из которых состоит изделие.

Самовольная утилизация изделия силами пользователя влечет наложение административных взысканий в соответствии с законом.



ВНИМАТЕЛЬНО ПРОЧИТАЙТЕ ИНСТРУКЦИИ И ПРЕДУПРЕЖДЕНИЯ **Предупреждение!**

Рекомендуем внимательно прочитать все инструкции, содержащиеся в данном руководстве, чтобы ознакомиться с наиболее пригодными условиями для правильного использования прибора.

Чрезвычайно важно, чтобы это руководство по эксплуатации хранилось вместе с прибором для пользования им в будущем.

В случае продажи или передачи прибора другому лицу убедитесь, что было передано также и руководство для ознакомления с работой прибора.

1. РЕКОМЕНДАЦИИ ПО БЕЗОПАСНОСТИ И ЭКСПЛУАТАЦИИ

Предупреждение!

Данные предупреждения предоставляются по соображениям безопасности.

Их следует внимательно прочитать перед установкой и перед началом эксплуатации.

Утилизация упаковки

- Не оставляйте без присмотра упаковочные материалы у себя дома. Рассортируйте упаковочные материалы и сдайте их в ближайший центр сбора вторсырья.
- Упаковочные материалы (пластиковые пакеты, полистирол, металлические профили и т.д.) не должны находиться в поле досягаемости детей.

Утилизация прибора

- Утилизируемый прибор должен быть неиспользуемым: необходимо позаботиться о том, чтобы вывести из строя старый замок люка (таким образом дети во время игры не смогут закрыться внутри и поставить свою жизнь под угрозу) и отрезать электрический кабель питания, предварительно отключив вилку от сетевой розетки. Выведенный из эксплуатации прибор должен быть сдан в центр приема вторсырья.

Защита природы

- Загружайте машину максимальным рекомендованным количеством белья. Не превышайте разрешенную максимальную загрузку.
- Не используйте функцию предварительной стирки для белья с малой или средней степенью загрязнения.
- Дозируйте моющее средство в соответствии с рекомендациями производителя.
- Выбирайте максимальную скорость отжима в соответствии с типом белья. Отжим на высокой скорости снижает время сушки и снижает расход воды.

Инструкции по безопасности

- Данный прибор предназначен для бытового применения и соответствует Директиве 72/23/СЕЕ, 89/336/СЕЕ (включая действующие в настоящее время директивы 92/31/СЕЕ и 93/68/СЕЕ).
- Перед установкой и использованием внимательно прочитайте все указания, содержащиеся в данном руководстве.
- Перед началом использования убедитесь, что группа бака была разблокирована (см. инструкции). Если группа бака не была разблокирована, то во время отжима стиральной машине, мебели или находящимся рядом приборам может быть нанесен ущерб.
- Данное руководство является неотъемлемой частью прибора: оно должно храниться в сохранности, вместе с машиной. Установка должна выполняться квалифицированным персоналом с соблюдением действующих норм. Прибор изготовлен для выполнения следующих функций: стирка и сушка белья или тканей, признанных производителем пригодными для данной машины в специальной табличке. **ЛЮБОЕ ДРУГОЕ ПРИМЕНЕНИЕ ПРИБОРА ДОЛЖНО СЧИТАТЬСЯ НЕПРАВИЛЬНЫМ. Изготовитель не несет никакой ответственности за использование, отличающееся от указанного выше.**
- Идентификационная табличка с указанием технических данных, заводского номера и маркировки установлена на видном месте, когда открывается люк. **Идентификационную табличку нельзя удалять ни в коем случае.**

- **Электрические и гидравлические работы, необходимые для установки прибора, должны выполняться лишь только квалифицированным персоналом.**
- Следует обязательно выполнить подключение к заземлению способом, предусмотренным в нормах безопасности электрической системы. **Изготовитель отклоняет любую ответственность за ущерб людям или имуществу, ставший последствием невыполненного или неисправного подключения к системе заземления.**
- Если прибор не подключается при помощи розетки, необходимо предусмотреть всеполюсный выключатель с размыканием контактов не менее 3 мм.
- Вилка, которая должна быть подключена к кабелю питания, и соответствующая розетка должны быть одного и того же типа и отвечать требованиям действующих норм. Убедитесь, что напряжение и частота сети соответствуют значениям, приведенным на идентификационной табличке. Избегайте использования переходников или распределителей. Ни в коем случае не тяните за кабель, чтобы вынуть вилку из розетки.
- **Машина отключена от сети электрического питания только в том случае, если вилка отключена от розетки, или же был выключен главный выключатель электрической системы. После установки вилка должна быть доступной.**
- Прибор должен устанавливаться с использованием новых гибких шлангов (входящих в комплект). Старые шланги не следует использовать.
- Обратите внимание на то, чтобы прибор не стоял на электрическом проводе.
- Стиральная машина ни в коем случае не должна использоваться на транспортных средствах, на борту судов или самолетов или же в специальных условиях, например, во взрывоопасных или коррозионных атмосферах (пыль, пары и газ) или с взрывоопасными и/или коррозионными жидкостями.
- Не устанавливайте стиральную машину в помещениях с низкими температурами. Замерзшие трубы могут разорваться под давлением.
- Убедитесь, что сливной шланг, установленный на умывальник, **надежно закреплен и не может двигаться.**
- Если он не закреплен, то сила отдачи воды может сместить его с умывальника с **опасностью затопления.**
- Кроме того, закрепив шланг на умывальнике, **убедитесь, что вода быстро вытекает из него, чтобы не допустить опасность вытекания воды через край.**
- Не перегружайте машину.
- Ни в коем случае не используйте в стиральной машине моющие средства, содержащие растворители или химические продукты для стирки. **Это может повредить машину и привести к образованию опасных паров. Кроме того, они могут воспламениться и взорваться.**
- Одежду, пропитанную нефтепродуктами, нельзя стирать в этой машине. Перед стиркой убедитесь, что в белье нет воспламеняющихся предметов (например: зажигалок, спичек и т.д.).
- Если для чистки были использованы летучие вещества, то убедитесь, что они улетучились из одежды перед ее загрузкой в машину.
- Перед загрузкой одежды для стирки убедитесь, что карманы пусты, пуговицы хорошо пришиты, а молнии застегнуты.
- Не стирайте разорванную одежду или с распушенными нитками.
- Стирая при высоких температурах, люк сильно нагреется.
- **Перед тем, как открыть люк, проверьте, что вода полностью слилась.**
- Если в машине осталась вода, то открывайте люк лишь только после того, как она будет слита. В случае сомнений прочитайте руководство по эксплуатации.
- **Вода в стиральной машине не является питьевой!**
- Проглатывание моющих средств может повредить полость рта и пищевод.
- Перед тем, как вынуть белье из стиральной машины, **убедитесь, что барабан остановился.**
- После каждого использования выключайте машину, чтобы устранить напрасное потребление электроэнергии.
- Между стирками оставляйте люк приоткрытым, чтобы содержать уплотнения в хорошем состоянии.
- В случае неисправной работы **ни в коем случае не пытайтесь отремонтировать машину самостоятельно.** Отключите машину от электрической сети и перекройте водопроводный кран. Затем обратитесь к квалифицированному персоналу. **Ремонт должен выполняться лишь только квалифицированным персоналом.**

- **Прибор предназначен для использования взрослыми людьми.** Не позволяйте детям выводить из строя органы управления или играть со стиральной машиной и **не допускайте нахождение детей рядом с машиной во время работы программы.**
- Маленькие животные или дети могут залезть внутрь стиральной машины.
- Всегда проверяйте барабан перед использованием и **не допускайте, чтобы дети играли с машиной.**
- Не позволяйте детям приближаться к открытой стирально-сушильной машине или же при открытом дозаторе моющих средств. В ней могут содержаться остатки моющего средства, которые способны нанести непоправимые повреждения глазам, рту и пищеводу, а также привести к смерти по причине удушья.
- Этот прибор не предназначен для использования людьми (включая детей) с ограниченными умственными, чувственными или физическими способностями, без необходимого опыта или знаний, если они не находятся под должным присмотром или же не были проинструктированы о его использовании лицом, отвечающим за безопасность этих людей.
- Не хранить воспламеняющиеся жидкости рядом с прибором.

Продолжительный простой.

- Если машина бездействует в течение продолжительного срока, рекомендуется: отключить электрические и водопроводные подключения и оставить люк приоткрытым, чтобы не образовывались неприятные запахи.

Важно!

Использование этого прибора очень простое.

Тем не менее, для достижения наилучших результатов необходимо внимательно прочитать данное руководство и выполнить все инструкции до начала использования.

В руководстве содержатся правильные сведения по установке, использованию и обслуживанию, а также полезные советы.

Изготовитель не несет никакой ответственности за ущерб, нанесенный людям или имуществу, вызванный несоблюдением данных требований, вытекающий из выполнения несанкционированных действий даже лишь только с одним компонентом прибора и вызванный использованием не оригинальных запасных частей.

2. ИНСТРУКЦИИ ПО УСТАНОВКЕ

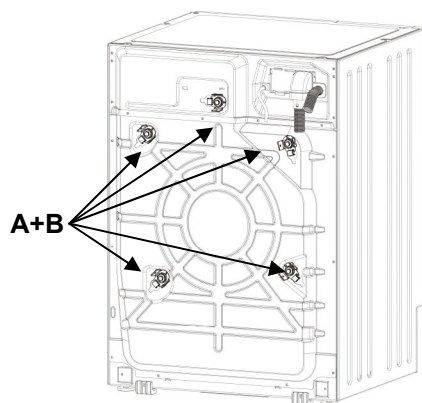
Важно!

Прибор должен устанавливаться квалифицированным специалистом, в соответствии с действующими нормами.

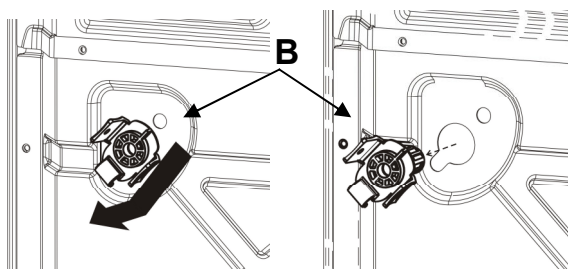
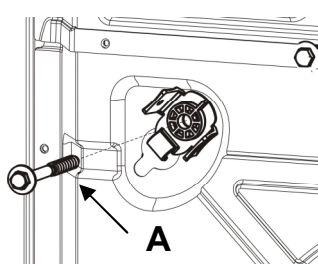
Стиральная машина имеет значительный вес. Будьте осторожны при ее подъеме.

2.1 РАСПАКОВКА

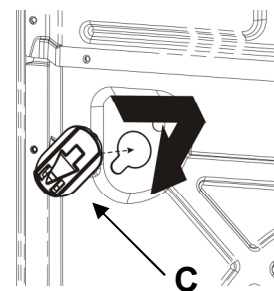
Для перевозки плавающая группа закреплена болтами (A), находящимися на задней стороне стиральной машины, с соответствующими пластиковыми распорными деталями (B). Демонтаж винтов позволяет использовать электрический провод.



1. Отвинтите **все** винты ключом на 10 мм.
2. Снимите сзади **все** винты (A)
3. Снимите **все** пластиковые распорные детали (B)



4. Установите **все** специальные пластиковые заглушки, входящие в комплект (C), чтобы вода или брызги не попадали в машину, или же для предотвращения контакта с частями под напряжением.

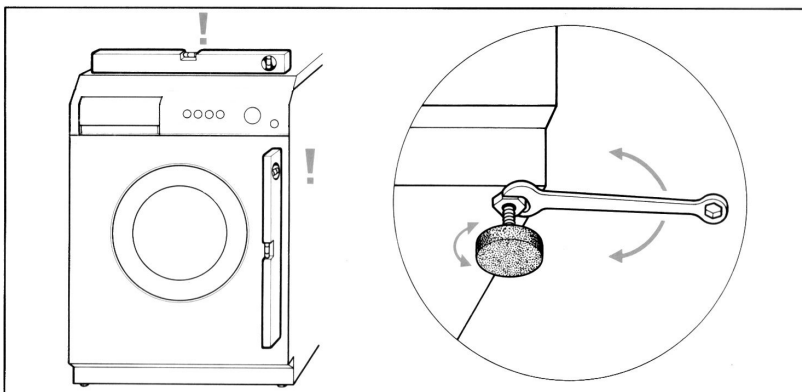


Внимание!

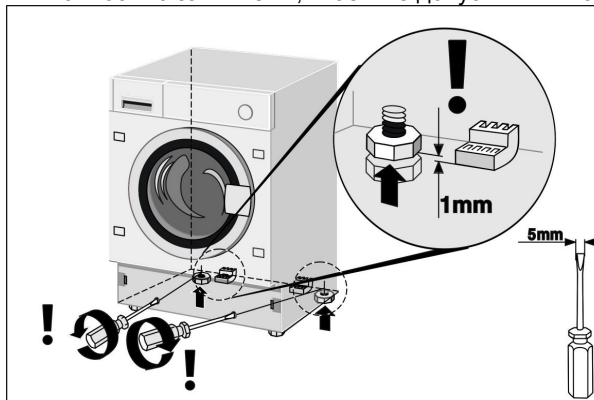
- **Не** переворачивайте машину и не кладите ее на бок.
- Рекомендуется сохранить все защитные детали для перевозки, которые должны быть установлены на место в случае перевозки прибора.

2.2 РАЗМЕЩЕНИЕ И ВЫРАВНИВАНИЕ

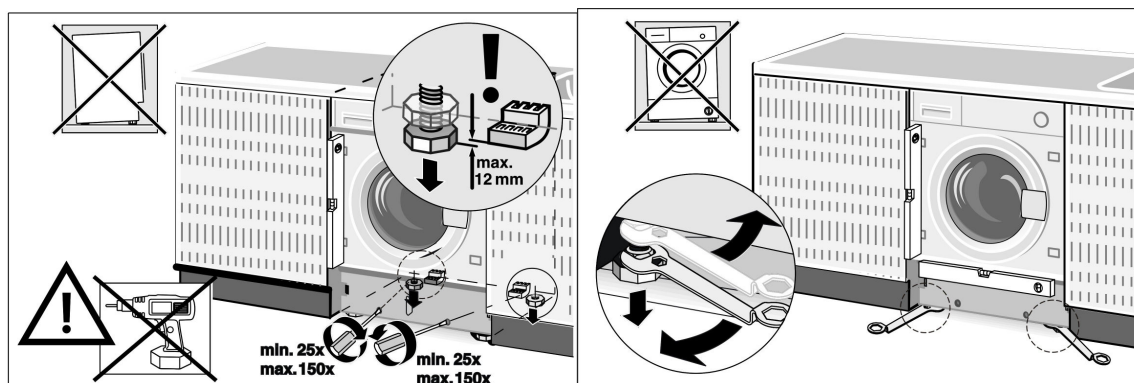
1. Разместите машину в выбранном месте.
2. Тщательно выровняйте машину во всех направлениях при помощи жидкостного уровня, регулируя при необходимости высоту ножек. После выполнения регулировки закрепите ножки специальными контргайками.



3. При наличии задних регулируемых ножек обратите внимание на то, чтобы в задней части машина опиралась не о ножки, а специальные салазки. Перед тем, как вставить машину в кухонную мебель, убедитесь, что задние ножки полностью завинчены, чтобы не допустить их повреждения.



После установки машины в кухонную мебель необходимо поднять задние ножки, чтобы машина не опиралась о направляющие. После подъема задних ножек выполните выравнивание машины и крепление передних ножек.



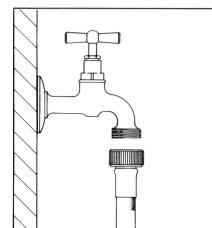
Шланги для подачи и слива воды могут быть направлены вправо или влево, чтобы обеспечить необходимую установку.

Внимание!

- Рекомендуется выполнять эту операцию осторожно, чтобы не допустить во время использования вибрацию, шум или смещение стиральной машины.
- Если машина установлена на пол с ковровым покрытием, необходимо обратить внимание на то, чтобы проемы в нижней части стиральной машины не были закрыты.
- Кроме того, убедитесь, что во время работы стиральная машина не опирается о стены, перегородки, мебель и т.д.
- Машина не должна устанавливаться за запирающейся дверью, раздвижной дверью или же рядом с дверью с петлями с противоположной стороны.

2.3 ПОДКЛЮЧЕНИЕ К ВОДОПРОВОДУ

1. Убедитесь, что давление питания находится в следующих пределах: **0,05-0,9 мПа**. При наличии более высокого давления установите редуктор давления.
2. Подключите шланг подачи **холодной воды** (круглая гайка **голубого** цвета) к крану холодной воды с резьбовым штуцером $\frac{3}{4}$ ", туго затягивая ее для предотвращения утечек. Шланг подачи воды не должен перегибаться или раздавливаться и не должен перерезаться или заменяться. Резьба должна затягиваться лишь только вручную.
3. При наличии питания **горячей водой** ее температура не должна превышать 60°C , а шланг с гайкой **красного** цвета должен быть подключен к крану горячей воды.

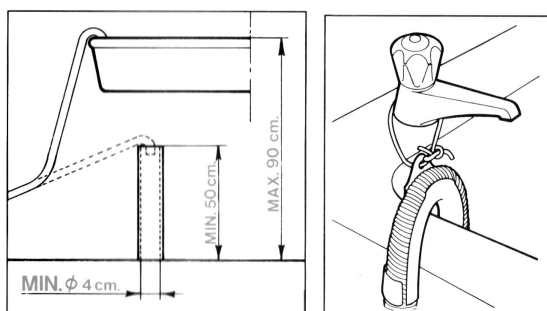


Внимание!

- Если выполняется подключение к новым трубам или же бездействовавшим в течение долгого времени, необходимо слить определенное количество воды перед подключением сливного шланга. Таким образом, не допускается возможное засорение песком и другими примесями входящих в комплект машины фильтров, защищающих заливные клапаны воды.
- Должен использоваться новый шланг питания, поставленный вместе с машиной, и не должен использоваться старый.

2.4 ПОДКЛЮЧЕНИЕ К СЛИВУ

1. Вставьте конец сливного шланга в сливную трубу с минимальным внутренним диаметром 4 см на высоте от 50 до 90 см или же хорошо закрепите его (используя пластиковое крепление на повороте трубы) на умывальнике или ванной.



2. В любом случае убедитесь, что конец сливного шланга всегда хорошо закреплен, чтобы сила отдачи воды не могла сместить его из первоначального положения.

Внимание!

- Для облегчения оттока воды не допускайте перегибов или сдавливаний.
- Возможный удлинитель шланга не должен превышать 1 метр, он должен иметь тот же внутренний диаметр и не должен иметь каких-либо сужений.
- Ни в коем случае конец сливного шланга не должен быть погружен в воду.

2.5 ЭЛЕКТРИЧЕСКОЕ ПОДКЛЮЧЕНИЕ

Перед подключением вилки к сетевой розетке убедитесь, что:

1. Напряжение электрической системы соответствует значению, указанному на табличке с характеристиками, находящейся в передней части, в месте, видимому при открытом люке. Мощность машины и необходимые предохранители указаны на табличке.
2. Счетчик, ограничительные предохранители, линия питания и сетевая розетка должны иметь такие характеристики, чтобы выдерживать максимальную требуемую нагрузку, указанную на табличке с характеристиками.
3. Сетевая розетка и вилка, входящая в комплект машины, должны быть совместимыми без использования переходников, тройников, адаптеров и удлинителей, которые могут привести к перегреву и перегоранию.
Если сетевая розетка не соответствует входящей в комплект машины вилке, то замените розетку электрической системы другой, пригодного типа.

Внимание

- После установки вилка должна быть доступной.
- **Крайне важно подключить прибор к заземлению.** Подключите вилку к сетевой розетке, имеющей исправную систему заземления.

Наша компания отклоняет любую ответственность за ущерб людям или имуществу, ставший последствием невыполненного или неисправного подключения к системе заземления. Правильное электрическое подключение гарантирует максимальную безопасность.

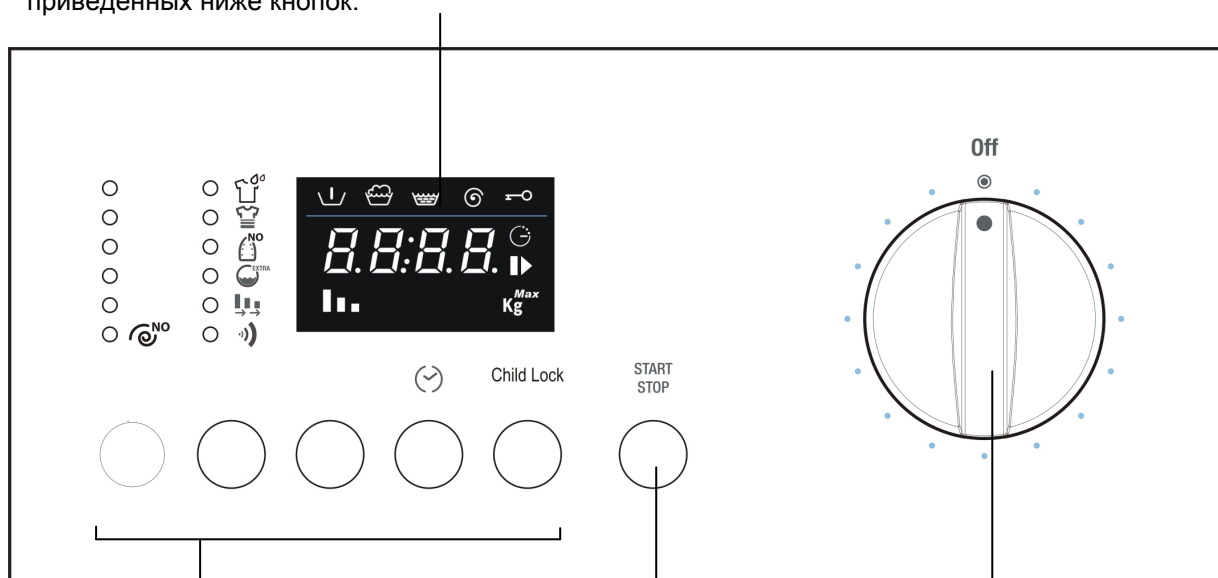
- Этот прибор соответствует требованиям директивы СЕЕ 89/336 от 3.5.89 (включая директиву с изменениями 92/31СЕЕ), касающейся устранения радиопомех.
- Если сетевой провод поврежден, то он должен заменяться только оригинальным запасным проводом, который имеется в сервисном центре.
- **Не вставляйте и не извлекайте вилку из сетевой розетки мокрыми руками.**
- **Отключая вилку от розетки, беритесь лишь только за вилку, никогда не за провод.**

3. ОПИСАНИЕ ОРГАНОВ УПРАВЛЕНИЯ

3.1 ПАНЕЛЬ УПРАВЛЕНИЯ

Все органы управления данного прибора сгруппированы на передней панели.

Дисплей: отображает настройки (скорость отжима, состояние программ, Flexi Time, максимальный рекомендованный вес, защита от детей). Настройка изменяется при помощи приведенных ниже кнопок.



Кнопки (слева направо):
Выбор скорости отжима
Выбор дополнительной функции
Подтверждение дополнительной функции
Delay timer
Child Lock

Кнопка Старт/Пауза:
 Для включения и выключения программ стирки.

Селектор программ
 Для включения и выключения стиральной машины и выбора программ. Возможное вращение в обоих направлениях. Селектор не поворачивается во время выбора программ.

4. ИСПОЛЬЗОВАНИЕ МАШИНЫ ДЛЯ СТИРКИ

4.1 ПОДГОТОВКА БЕЛЬЯ

1. Разделите стираемое белье по типу ткани и стойкости цветов.
2. Стирайте отдельно белое и цветное белье. Первую стирку новых цветных вещей рекомендуется выполнять отдельно от другого белья. Как правило, на белье наносится этикетка, предоставляющая полезные указания, как обращаться с данной вещью. Приводим краткое описание символов данных этикеток.

СТИРКА		Отбеливание			
	Вымойте макс 90 °	 Это отбеливание		 Нет отбеливание	
	Вымойте макс 60 °				
		ШТИРИЯ			
	Вымойте макс 40 °	 Высокий температура	 Среднее температура	 Низко температура	 Не железо
	Вымойте макс 30 °				
		НЕТ ЧИСТОЙ ВОДЫ			
	Стирка деликатных макс 60 °	 Все растворители	 Все меньше трихлорэтилена	 Бензин AVIO и R113	 Не чистой БЕЗ ВОДЫ
	Стирка деликатных макс 40 °				
	Стирка деликатных макс 30 °				
		СУШКА ПОСЛЕ МЫТЬЯ			
	Мойте руки	 Высокий температура	 Температура менее 60 °	 Не сухой	
	Не мойте				

Внимание!

- Избегайте стирку белья с неподшитым краем или разрывами, так как оно может распуститься.
- Посторонние предметы могут повредить одежду или компоненты стиральной машины. Поэтому: выньте вещи из карманов и выверните их наизнанку, снимите ролики с штор или же поместите их в сетчатый мешок.
- Стирайте очень маленькие вещи (ремни, носовые платки, носки, бюстгалтеры с поддержкой и т.д.) в мешках из белой ткани. Застегните кнопки, молнии, закрепите болтающиеся пуговицы.
- Использование современных моющих средств и правильной температуры стирки, как правило, достаточно для выведения пятен с тканей. Те не менее, некоторые трудновыводимые пятна, такие как пятна от травы, фруктов, яиц, крови, ржавчины, авторучки и т.д. должны предварительно обрабатываться перед стиркой. **В зависимости от типа ткани, в торговле имеются многочисленные продукты для обработки пятен. В любом случае, рекомендуется сразу же очищать или растворять пятна, так как чем они старше, тем сложнее их выводить.**
- При несоблюдении символов обработки тканей белье может повредиться.

Шерсть - только шерсть с знаком чистой натуральной шерсти с клеймом или с этикеткой "обработана против усадки, подлежит стирке в стиральной машине", может стираться в машине со специальной программой, другие типы шерсти желательно стирать вручную или в химчистке.

4.2 ОТКРЫТИЕ ЛЮКА

На машину было установлено предохранительное устройство, не позволяющее открывать люк во время выполнения программы.

1. Убедитесь, что вода была полностью слита из бака, и что барабан остановился.

Внимание!

- В случае прерывания программы стирки необходимо подождать от 3 до 15 минут, в зависимости от температуры, которая была достигнута внутри машины.

Внимание !

Вода может быть еще очень горячей, если стирка выполнялась при высокой температуре. Если в баке еще осталась вода, то старайтесь не открывать люк.

4.3 ЗАГРУЗКА БЕЛЬЯ

По мере возможности, для экономии электроэнергии рекомендуется выполнять полную загрузку для различных типов тканей. Загружайте белье хорошо расправленным, чередуя большие вещи и маленькие. В первые разы рекомендуется взвешивать загружаемое белье, в дальнейшем будет достаточно накопленного опыта. Приведем приблизительный средний вес обычных вещей:

4.4 ЗАГРУЗКА БЕЛЬЯ

1. Откройте люк и загрузите белье, равномерно распределяя его, хорошо расправленным, никогда не комкая его в барабане. По мере возможности следует чередовать большие и маленькие вещи.
2. Данная стиральная машина, которой принадлежит это руководство, может **быть загружена максимум 7 кг** белья при каждой стирке. Загружая большее количество белья, будут получены неудовлетворительные результаты стирки, а также могут возникнуть неисправности в машине.
3. **Для экономии электроэнергии рекомендуется завершить загрузку** для разных типов тканей, соблюдая количество, приведенное в "Таблице программ", предоставленной вместе с данным руководством.
4. Закройте дверцу, прижимая ее к шасси, чтобы послышался щелчок замка. Не допускайте застревания вещей между люком и резиновым уплотнением.

Внимание!

- Если дверца плохо закрыта, предохранительное устройство не допустит включения стиральной машины.
- **Не превышайте максимальную загрузку: чрезмерная загрузка ухудшит результат стирки.**

4.5 ЗАГРУЗКА МОЮЩЕГО СРЕДСТВА И ДОБАВКИ

Внутренний дозатор имеет три отсека, помеченных символами



моющее средство для предварительной стирки

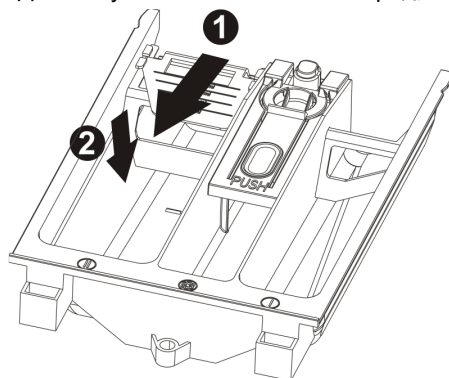


моющее средство для стирки



для смягчителя, аппрета, добавок и т.д. (напр., продукты для обработки). Добавки подаются в моечный бак автоматически, во время последнего полоскания.

В отсеке моющего средства для стирки имеется язычок для использования жидкого моющего средства. Для его установки потяните вперед, затем опустите его.



Выполняя указания "Таблицы программ", предоставленной вместе с данным руководством, до начала программы загрузите в соответствующий отсек моющее средство и возможные добавки.

В любом случае уровень жидкости не должен превышать максимальное значение, в противном случае отсеки опорожнятся слишком быстро.

Перед тем, как налить густые моющие средства в специальный лоток, разбавьте их небольшим количеством воды, чтобы не допустить закупорки сифона.

Используйте лишь только моющие средства с контролируемым пенообразованием, пригодные для использования в стиральных машинах.

Определите количество моющего средства в зависимости от жесткости воды, типа и количества загруженного белья и степени его загрязнения.

Таким образом будет получен желаемый эффект и оптимальное потребление моющего средства.

На упаковках моющих средств количество и дозировка приводятся в зависимости от 4 уровней жесткости, для количества белья в 4-5 кг с нормальной степенью загрязнения.

Запросите сведения, касающиеся степени жесткости воды, в компетентной водоснабжающей организации.

Жесткость воды

Уровень жесткости	Французские градусы fH	Немецкие градусы dH
Мягкая	До 15°	До 8°
Средняя	15° - 25°	8° - 14°
Жесткая	25° - 40°	14° - 22°
Очень жесткая	Свыше 40°	Свыше 22°

4.6 ДОЗИРОВКА ПОРОШКОВЫХ МОЮЩИХ СРЕДСТВ

Белье с нормальной степенью загрязнения

1. Выберите программу без предварительной стирки.
2. Загрузите общее количество моющего средства, указанное на упаковках, в отсек стирки дозатора моющего средства.

Очень грязное белье

1. Выберите программу с предварительной стиркой.
2. Загрузите $\frac{1}{4}$ рекомендованного количества моющего средства в отсек предварительной стирки дозатора моющего средства и $\frac{3}{4}$ моющего средства в отсек стирки.

Внимание!

- При отсутствии указаний дозировки для тонкого белья из синтетических тканей налейте от $\frac{1}{2}$ до $\frac{2}{3}$ дозируемого количества, указанного для предварительной стирки прочных хлопковых тканей.
- Для программы для стирки шерсти рекомендуется использовать только нейтральные моющие средства для шерсти.
- Выполните дозировку согласно рекомендаций производителя моющего средства.

4.7 ДОЗИРОВКА ЖИДКИХ МОЮЩИХ СРЕДСТВ

1. Налейте в дозатор, входящий в комплект флакона жидкого моющего средства, необходимое количество и поместите дозатор в барабан, или же используйте отсек для стирки дозатора стиральной машины, устанавливая специальную вставку.
2. Шкала на красной вставке помогает дозировать жидкое моющее средство.

Внимание!

- Жидкие моющие средства могут использоваться предусмотренными производителями дозами **только для основной стирки, то есть, во всех программах без предварительной стирки.**

4.8 СРЕДСТВА ДЛЯ УДАЛЕНИЯ НАКИПИ

Средства для удаления накипи могут добавляться согласно указаний производителей в отсеки предварительной и основной стирки.


Загружайте в отсеки сначала моющее средство, затем средство для удаления накипи.

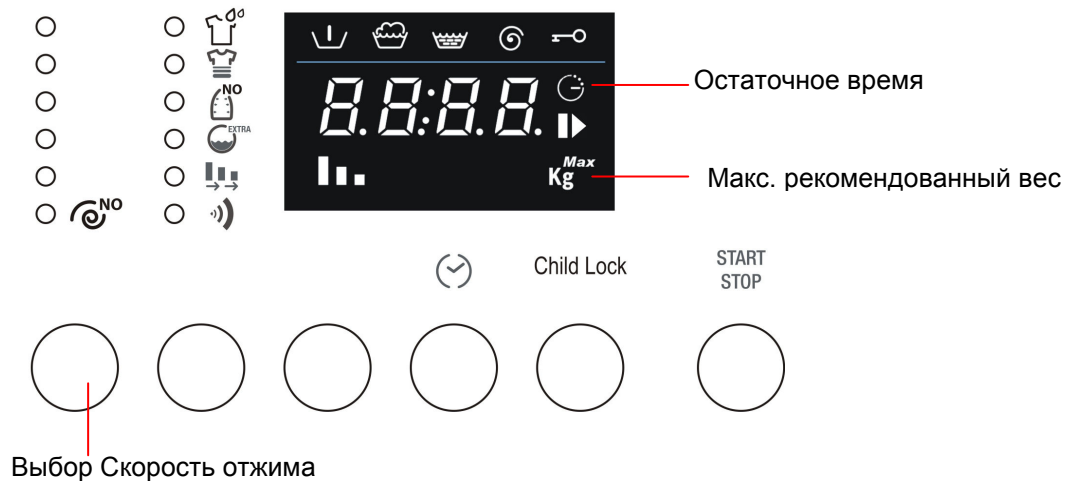
4.9 ПРОГРАММЫ И ФУНКЦИИ

Для выбора программ в зависимости от типа ткани см. Таблицу программ, поставляемую вместе с данным руководством.

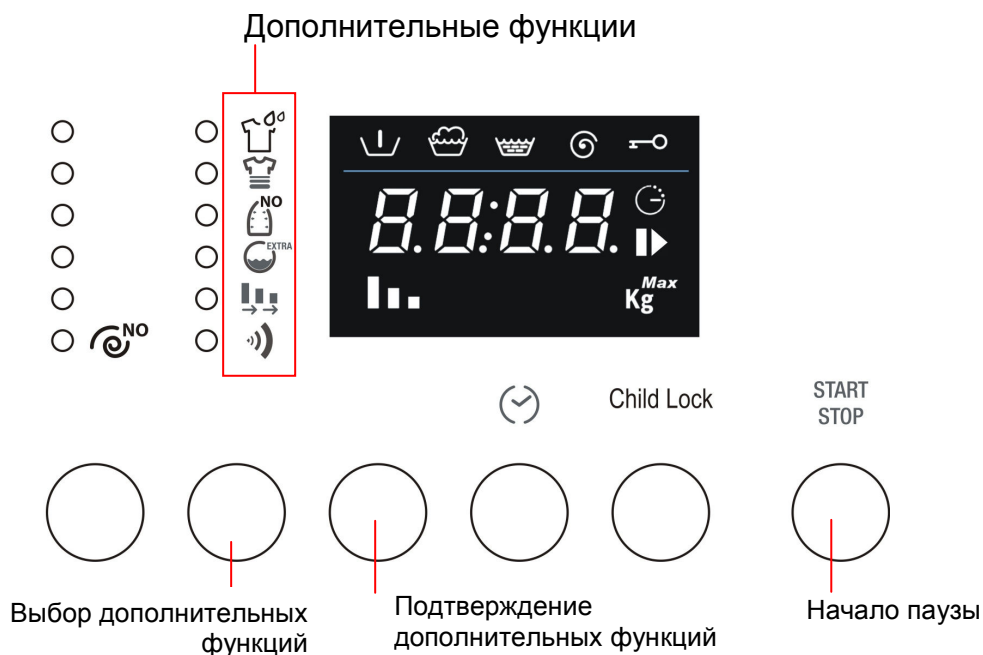
4.10 ВКЛЮЧЕНИЕ МАШИНЫ И ВЫБОР РАБОЧЕЙ ПРОГРАММЫ

Для включения и выбора программы выполните следующее:

1. Поверните ручку программ в одном из двух направлений. Таким образом включится стиральная машина.
2. Выберите программу стирки. На дисплее будет поочередно отображаться остаточное время до конца стирки и максимальный рекомендованный вес для выбранной программы. В зависимости от отображения, на дисплее загораются соответствующие символы.
3. Показываются значения по умолчанию для скорости отжима. Начальные настройки можно изменить кнопкой, находящейся под последовательностью скоростей отжима.
4. Скорость отжима, равная , означает отключение отжима и остановку с полным баком. Вводя это значение, машина не выполняет конечный отжим и завершает программу стирки с водой в баке.



4.11 ВЫБОР И ПОДТВЕРЖДЕНИЕ ДОПОЛНИТЕЛЬНЫХ ФУНКЦИЙ



1. При помощи кнопок Выбор дополни... ть в последовательности следующие функции (сверху вниз):

Предварительная стирка: включение дополнительной фазы перед стиркой продолжительностью около 20 минут при температуре 35°C. Предназначается для стирки очень грязной одежды.

Интенсивная: максимальная температура составляет 60°C и продолжительность стирки увеличивается для повышения эффективности энзимов моющих средств. Пригодна для тонкого, но грязного белья.

Гладьте меньше: позволяет получать в конце стирки менее смятое белье, которое можно легко погладить.

Вода плюс: Увеличивает количество воды, используемое в стирке и при полоскании.

Альтернативная **Дополнительное полоскание:** эта функция добавляет еще одно полоскание к выбранной программе мойки.

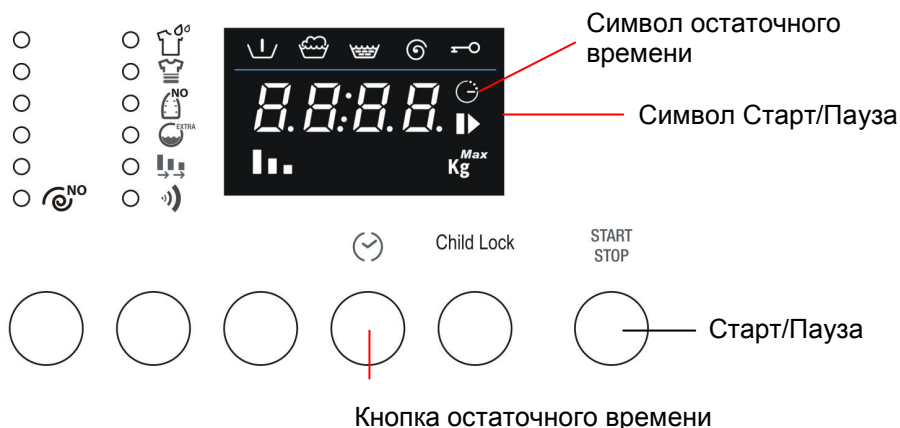
Flexi Time: позволяет снизить продолжительность цикла стирки. Этот символ полностью освещен при начальной продолжительности выбранной программы. Выбрав эту функцию, можно дополнительно снизить продолжительность до промежуточного уровня, до минимального уровня и возвратиться к начальной продолжительности, нажимая несколько раз кнопку Настройка.

Альтернативная **Быстрая:** позволяет снизить продолжительность цикла стирки. Пригодна для небольшого количества не очень грязного белья.

Звуковой сигнал: В конце рабочего цикла можно включить/выключить звуковой сигнал. Машина поставляется с включенной функцией.

2. Для подтверждения выбранной функции достаточно нажать кнопку Подтверждение дополнительных функций, после чего будет гореть соответствующий светодиод.
3. Для отмены выбора дополнительной функции достаточно вернуться к функции кнопкой Выбор дополнительных функций и нажать кнопку Подтверждение дополнительных функций. Чтобы отменить сразу все ранее подтвержденные дополнительные функции достаточно удерживать нажатой кнопку Подтверждение дополнительных функций в течение 4 секунд.
4. Функция Звуковой сигнал сохраняет сделанную настройку также и для последующих циклов. Она автоматически отключается лишь только в программе Ночная стирка.

4.12 ОСТАТОЧНОЕ ВРЕМЯ

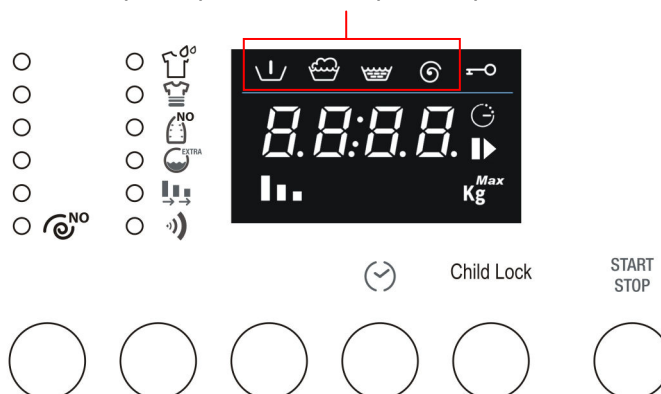


1. Нажимая несколько раз Остаточное время, можно выбрать, через сколько времени будет завершена программа стирки. Остаточное время цикла учитывает начальную продолжительность цикла стирки, выбранную настройку (температура, скорость отжима и дополнительные функции), которые могут снизить или же увеличить начальную продолжительность цикла и времени ожидания, которое пользователь желает добавить до начала работы.
2. После настройки Остаточного времени цикла символ на дисплее будет продолжать гореть.
3. Для выключения функции Остаточное время цикла необходимо нажимать несколько раз кнопку до тех пор, пока на дисплее не отобразится 0.
4. Вплоть до начала цикла, символ Старт/Пауза будет мигать. После начала цикла символ будет гореть, не мигая.

4.13 ЗАПУСК ПРОГРАММЫ СТИРКИ

1. Для запуска программы стирки после индивидуальной настройки нажмите кнопку Старт/Пауза.
2. После запуска на дисплее будет показываться остаточное время цикла, а символ Старт/Пауза будет продолжать гореть.
3. Во время выполнения программы стирки загораются символы, означающие ее отдельные фазы:

Символы фаз цикла: Предварительная стирка, стирка, полоскание и конечный отжим.



4.14 ПРЕКРАЩЕНИЕ ИЛИ ИЗМЕНЕНИЕ ПРОГРАММЫ СТИРКИ


Программа стирки, во время ее выполнения, может быть прервана в любой момент.

1. Нажимайте кнопку "Старт/Пауза" 3 секунды: Дисплей будет отображать поочередно слово PAUS (в течение 1 секунды) и остаточное время (в течение 1 секунды). Индикатор Старт/Пауза будет мигать.
Выключение осуществляется также поворотом ручки выбора программ/температур во время выполнения цикла.
2. В случае необходимости изменения программы стирки достаточно выбрать новую программу поворотом ручки программ, не включая паузу машины. Новый цикл стирки будет выполнен полностью, начиная с начала. Если в течение предыдущего цикла в бак была залита вода, то новая программа начнется без заливания воды.
3. Чтобы вновь возобновить цикл, снова нажмите кнопку Старт/Пауза.

4.15 ЗАВЕРШЕНИЕ ПРОГРАММЫ

Программы стирки завершаются автоматически, дисплей отображает слово END, а индикатор "Остаточное время" больше не горит.

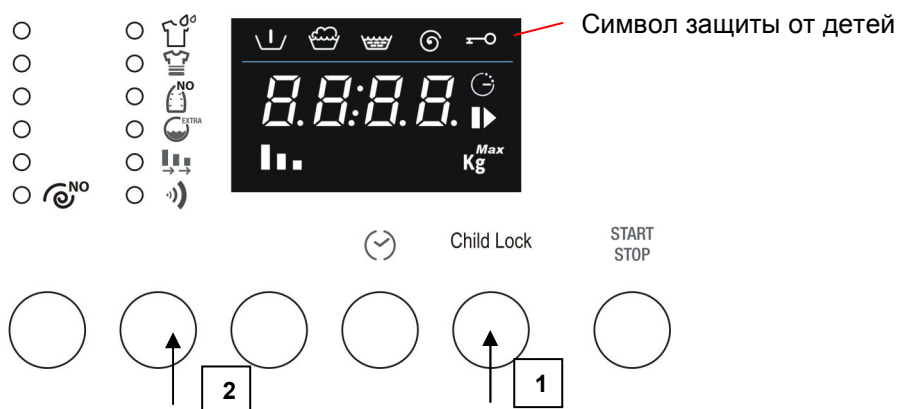
1. **Выключите машину переводом ручки программ в положение ВЫКЛ.**
2. Выгрузите белье из барабана.
3. Оставьте люк приоткрытым, чтобы внутренняя полость машины могла высохнуть.
4. **Закройте водопроводный кран.**

Если на начальном этапе настройки скорости отжима было выбрано отключение отжима с остановкой с водой в баке  (скорость отжима равна 0), то в конце программы стирки на дисплее будет отображена надпись STOP, чередующаяся с надписью ---- (скорость отжима равна 0), а также горящий индикатор отжима.

Чтобы продолжить слив и отжим, нажмите два раза кнопку выбора отжима. Машина возобновит цикл сливом и отжимом. Для выбора необходимой скорости отжима нажимайте кнопку до тех пор, пока не будет отображена необходимая скорость. При необходимости слива воды из бака без выполнения отжима, нажимайте кнопку выбора отжима до символа остановки с водой в баке, показывая, что слив будет выполнен без отжима.

4.16 ЗАЩИТА ОТ ДЕТЕЙ

1. Включив эту функцию, устраняется возможность изменения функций, температур, скорости отжима и цикла стирки/сушки во время выполнения программы.

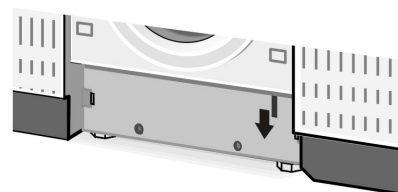


2. Для включения функции Защита от детей необходимо нажать и удерживать нажатой кнопку Child Lock (1). В течение 3 секунд нажмите также кнопку Выбор дополнительных функций (2).
3. Загорание символа Защиты от детей обозначает включение этой функции.
4. Для отключения этой функции повторите эту процедуру.

4.17 АВАРИЙНОЕ ОТКРЫТИЕ

При отсутствии электрического питания люк открывается при помощи специального механического замка, представляющего собой язычок, находящийся в нижней части прибора.

- Переведите ручку в положение Выкл и выньте электрическую вилку.
- Слейте использованную воду для стирки (см. параграф 5.4)
- Потяните вниз замок и откройте люк.



Внимание, опасность ожога: перед тем, как открыть люк, убедитесь, что внутри машины нет воды или горячей воды с моющим средством, которая при открытии люка может вытечь наружу и нанести ущерб.

Внимание: не открывайте люк при помощи аварийного открытия во время вращения барабана.

5. ЧИСТКА И УХОД

Важно! Перед выполнением какой-либо операции чистки или обслуживания следует отключить вилку от сетевой розетки.

5.1 НАРУЖНАЯ ЧИСТКА

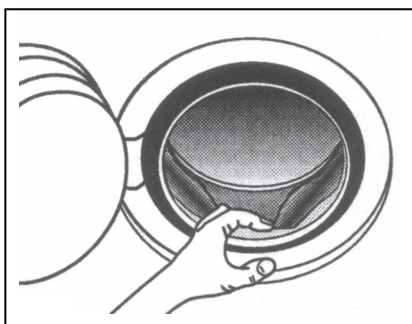
- Периодически выполняемая чистка позволяет сохранить внешний вид вашей машины неизменным.
- Корпус следует промывать лишь только водой с моющим средством, тщательно вытирая насухо мягкой тряпочкой.
- Пластиковые части следует протирать лишь только влажной тряпочкой.
- Не скребите их заостренными предметами и не допускайте использования растворителей или продуктов, содержащих абразивные вещества, так как они могут повредить поверхности.
- **В целях безопасности никогда не направляйте на стиральную машину струи воды.**

5.2 ЧИСТКА БАКА

- Удаляйте пятна ржавчины с барабана специальным очистителем для нержавеющей стали, а для особенно стойких пятен используйте мелкозернистую наждачную бумагу.
- Для удаления накипи со стиральной машины используйте лишь только средства известных производителей с антикоррозийными добавками для стиральных машин.
- Для применения и дозировки строго придерживайтесь указаний производителя.
- **После процедур удаления накипи и ржавчины с барабана выполните несколько циклов ополаскивания, чтобы устранить все остатки кислот, которые могут повредить машину. Ни в коем случае не используйте моющие средства, содержащие растворители. Существует опасность образования паров, которые могут воспламениться или взорваться.**

5.3 ЧИСТКА УПЛОТНЕНИЯ ЛЮКА

Периодически проверяйте отсутствие скрепок, пуговиц, гвоздей, шпилек в складках уплотнения люка.



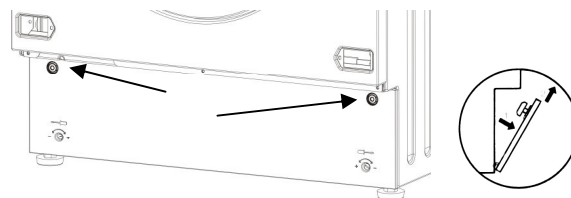
5.4 ЧИСТКА СЛИВНОГО НАСОСА

Чистка сливного насоса необходима только тогда, когда насос заблокирован пуговицами, скрепками или другими подобными предметами, и вода не сливается. В этом случае действуйте указанным ниже способом.

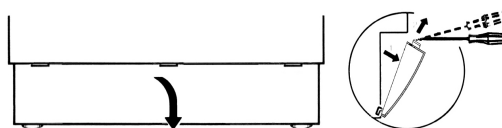
1. Отключите вилку от сети, чтобы отключить машину от питания.

2. В зависимости от модели, действуйте следующим образом:

Встроенная/полностью убирающаяся модель - маленькой отверткой подденьте и снимите пробки, показанные на рисунке, поверните плинтус вниз, после чего обеспечится доступ к насосу.



Отдельно стоящая модель - Вставьте маленькую отвертку в прорези в передней дверце плинтуса, затем слегка подденьте отверткой вверх, чтобы освободить верхнюю часть плинтуса корпуса. Слегка наклоните вперед плинтус и потяните его вверх, чтобы полностью снять.

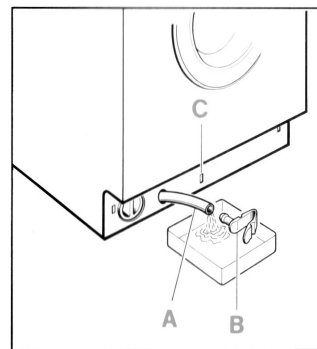


3. Снимите гибкий сливной шланг "А".

Внимание: Теплый шланг свидетельствует о горячей или очень горячей воде. Поставьте на пол низкую емкость и снимите пробку "В" для слива воды.

В зависимости от залитого количества воды, может быть необходимо несколько раз опорожнить емкость.

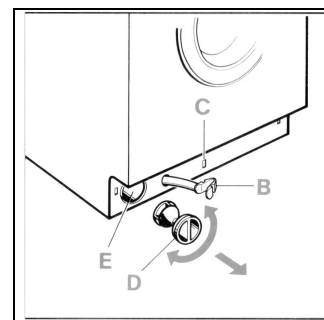
Когда вода перестанет вытекать, вновь надежно закройте гибкий шланг пробкой "В".



4. Отвинтите крышку насоса "D", вращая влево.

Очистите и уберите посторонние предметы из корпуса насоса.

Проверьте также полость "E", проверяя, чтобы крыльчатка свободно вращалась, так как там могли застрять посторонние тела, которые следует удалить.



5. Завинтите крышку насоса.

Закрепите гибкий сливной шланг, вставив пробку в гнездо "С", чтобы она защелкнулась.

В зависимости от модели, установите плинтус следующим образом:

Встроенная/полностью убирающаяся модель - Вставьте плинтус сначала в нижнюю часть. Закрепите его в верхней части, вставив пластиковые пробки в специальные гнезда.

Отдельно стоящая модель - Вставьте плинтус сначала в нижнюю часть, затем сместите его в сторону корпуса до полного крепления.

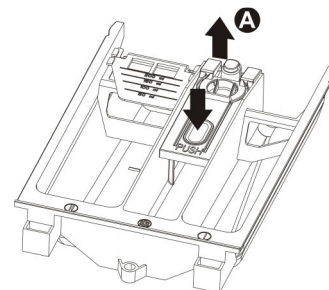
5.5 ЧИСТКА ДОЗАТОРА МОЮЩЕГО СРЕДСТВА

Не рекомендуется допускать образование отложений на дозаторе.

Для облегчения этой операции следует снять дозатор моющего средства с места его установки (потянуть дозатор до конца, нажать в месте, обозначенном словом PUSH, после чего полностью вынуть его).

Снять сифон "А" и промыть их теплой водой.

Вновь вставить сифон до конца и перед тем, как установить дозатор на место, удалить отложения моющего средства.



5.6 ЧИСТКА ФИЛЬТРОВ НА ПОДАЧЕ ВОДЫ

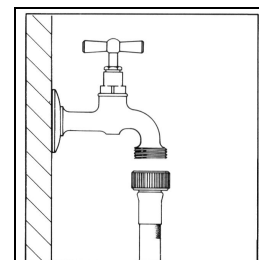
Машина оборудована фильтром для защиты клапанов подачи воды.

Фильтр находится в соединении водопроводного шланга, подключенного к крану.

Если в стиральную машину не заливается вода, или же она заливается в недостаточном количестве, то следует очистить фильтр.

Для чистки действуйте следующим образом:

- **Отключите вилку от сети, чтобы отключить машину от питания.**
- Закройте водопроводный кран.
- Отключите соединение заливного шланга от крана.
- Выньте фильтр из соединения заливного шланга.
- Промойте фильтр в воде при помощи щетки.
- Завинчивая соединение заливного шланга, убедитесь, что фильтр правильно установлен.



6. ПРЕДУПРЕЖДЕНИЯ НА СЛУЧАЙ НЕИСПРАВНОСТЕЙ В РАБОТЕ

Данный прибор отвечает действующим нормам безопасности по электрическому оборудованию. По соображениям безопасности техническая проверка или ремонт должны выполняться только квалифицированным персоналом, чтобы исключить опасность для пользователя.





Если машина не работает, то перед вызовом сервисной службы, чтобы избежать напрасных расходов, лично убедитесь, что были выполнены операции, перечисленные в данной таблице неисправностей.

- | | | |
|-----------|---|---|
| 1 | Машина не включается | Проверьте, что: <ul style="list-style-type: none">- вилка правильно вставлена в розетку- люк хорошо закрыт- нажата кнопка "Старт/Пауза" |
| 2 | Вода не заливается | Проверьте, что: <ul style="list-style-type: none">- вилка правильно вставлена в розетку- люк хорошо закрыт- водопроводный кран открыт- фильтры заливного шланга не закупорены.- заливной шланг не зажат и не перегнут |
| 3 | В барабане не видно воды | Отсутствие неисправности.
Уровень воды ниже стекла люка, так как новые машины используют небольшое количество воды, но с теми же результатами стирки и полоскания. |
| 4 | Вода не сливается | Проверьте, что: <ul style="list-style-type: none">- сливной шланг не перегнут- сливной насос не засорен. |
| 5 | Не сливается вода после последнего полоскания в программах стирки для тонких тканей и шерсти | Это не неисправность: для предотвращения образования складок на тканях, эта остановка предусмотрена программой стирки.
Для слива воды действуйте так, как описано в параграфе (Конец программы) |
| 6 | Машина непрерывно заливает и сливает воду | Убедитесь, что конец сливного шланга не находится слишком низко. |
| 7 | Сильная вибрация во время отжима | Проверьте, что: <ul style="list-style-type: none">- Машина хорошо выровнена- стиральная машина находится не слишком близко к стенам или мебели- внутренняя плавающая группа была разблокирована |
| 8 | В баке образуется слишком много пены и она выходит из дозатора | Проверьте, что: <ul style="list-style-type: none">- Использованное моющее средство предусмотрено для машин-автоматов, а не для ручной стирки- было использовано количество, указанное в руководстве, а не большее количество |
| 9 | Наличие воды на полу | Проверьте, что: <ul style="list-style-type: none">- Соединения водопроводного шланга не ослабли- конец сливного шланга не сместился со своего места. |
| 10 | Смягчитель не забирается полностью или же остается слишком много воды в отсеке | Убедитесь, что сифоны в дозаторе моющего средства правильно расположены на их местах и не засорены. |

- 11 Машина не отжимает** Сработала защита от разбалансированности белья, потому что оно неравномерно расположено в барабане. Поэтому, в случае, если в конце цикла белье остается мокрым, рекомендуем распределить его равномерно вручную в барабане и повторить программу отжима.
- 12 Слив воды из бака** При отсутствии питания или в случае неисправности стиральной машины можно выполнить аварийный слив воды, содержащейся в баке
- 13 Белье было неправильно отжато** Большие вещи перекрутились и не распределились равномерно в барабане. Необходимо стирать всегда большие и маленькие вещи вместе.
- 14 Остатки моющего средства на белье** Многие моющие средства без фосфатов содержат труднорастворимые в воде вещества.
Выберите программу Полоскание или очистите белье щеткой.
- 15 Неудовлетворительный результат стирки**
- Возможно, что было использовано слишком мало моющего средства или же непригодное моющее средство.
 - Трудновыводимые пятна не были подвергнуты предварительной обработке
 - Была выбрана неправильная температура
 - Корзина перегружена

ОТОБРАЖЕНИЕ ОШИБОК

В случае неисправности машина сообщит о неисправности при помощи кода ошибки на дисплее.

Код ошибки	Описание неисправности
	Неправильно закрытый люк. Попробуйте закрыть люк вновь.
	Срабатывание блокировки воды. Обратитесь в ближайший сервисный центр, предварительно отключив электрическое питание и закрыв водопроводный кран.
	Не заливается вода для стирки. См. пункт 2 перечня неисправностей
	Вода не сливается. См. пункт 4 перечня неисправностей.

По поводу всех остальных отображенных кодов ошибки обращайтесь в ближайший сервисный центр, предварительно отключив электрическое питание и закрыв водопроводный кран.