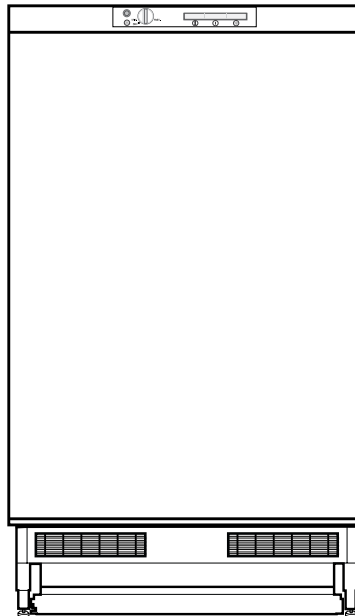


TGI2 120 D

EN-Instruction Manual
DE-Bedienungsanleitung
FR-Manuel d'instructions
ES-Manual de instrucciones



teka

Please read this manual first!

Dear Customer,

We hope that your product, which has been produced in modern plants and checked under the most meticulous quality control procedures, will provide you an effective service.

For this, we recommend you to carefully read the entire manual of your product before using it and keep it at hand for future references.




This manual

- Will help you use your appliance in a fast and safe way.
- Read the manual before installing and operating your product.
- Follow the instructions, especially those for safety.
- Keep the manual in an easily accessible place as you may need it later.
- Besides, read also the other documents provided with your product.

Please note that this manual may be valid for other models as well.

Symbols and their descriptions

This instruction manual contains the following symbols:

-  Important information or useful usage tips.
-  Warning against dangerous conditions for life and property.
-  Warning against electric voltage.



This product is supplied with the selective sorting symbol for waste electrical and electronic equipment (WEEE).

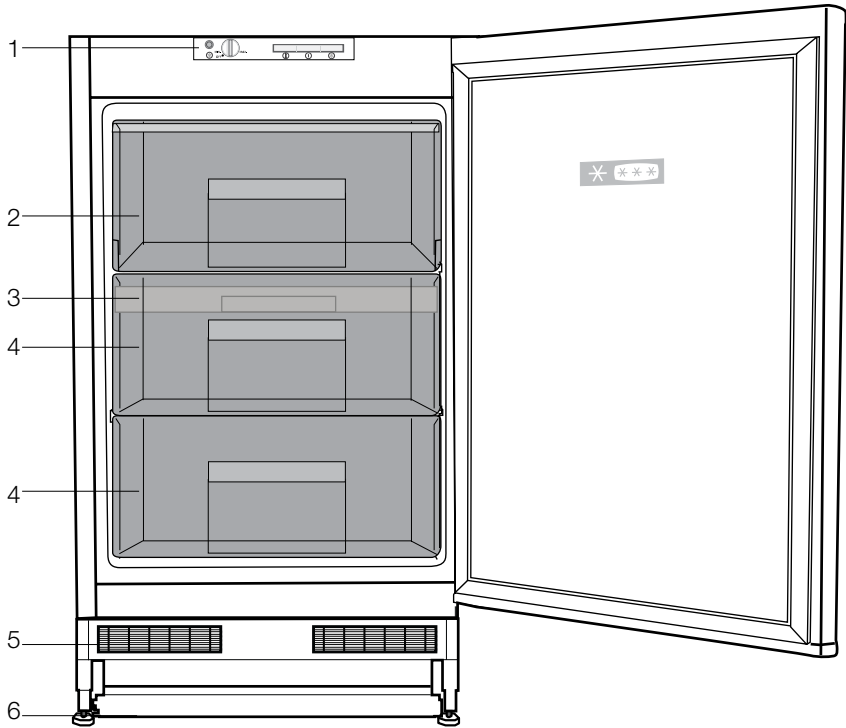
This means that this product must be handled pursuant to European Directive 2002/96/EC in order to be recycled or dismantled to minimise its impact on the environment. For further information, please contact your local or regional authorities.

Electronic products not included in the selective sorting process are potentially dangerous for the environment and human health due to the presence of hazardous substances.

CONTENTS

1 Your refrigerator	3	4 Preparation	12
2 Important Safety Warnings	4	5 Using your refrigerator	13
Intended use	4	Setting the operating temperature ...	13
General safety	4	Freezing.....	13
Child safety.....	6	Stopping your product.....	14
HCA Warning	7	Defrost	14
Things to be done for energy saving..	7	LED indicators and control panel	15
3 Installation	8	6 Maintenance and cleaning	16
Points to be considered when re-transporting your refrigerator	8	Protection of plastic surfaces	16
Before operating your refrigerator	8	7 Recommended solutions for the problems	17
Disposing of the packaging	9	48 9585 0000.....	21
Disposing of your old refrigerator	9	48 9585 0000.....	22
Placing and Installation	9		
Placing the refrigerator under the counter and adjusting the legs	10		
Reversing the doors	11		

1 Your refrigerator



- 1- Control panel
- 2- Fast freeze compartment
- 3- Ice tray
- 4- Frozen food storage compartment
- 5- Ventilation lid
- 6- Adjustable legs

Figures that take place in this instruction manual are schematic and may not correspond exactly with your product. If the subject parts are not included in the product you have purchased, then it is valid for other models.

2 Important Safety Warnings

Please review the following information. If these are not followed, personal injury or material damage may occur. Otherwise, all warranty and reliability commitments will become invalid.

The usage life of the unit you purchased is 10 years. This is the period for keeping the spare parts required for the unit to operate as described.

Intended use

- This appliance is intended to be used in household and similar applications such as
 - staff kitchen areas in shops, offices and other working environments;
 - farm houses and by clients in hotels, motels and other residential type environments;
 - bed and breakfast type environments;
 - catering and similar non-retail applications.
- It should not be used outdoors. It is not appropriate to use it outdoor even if the place is covered with a roof.

General safety

- When you want to dispose/scrap the product, we recommend you to consult the authorized service in order to learn the required information and authorized bodies.
- Consult your authorized service for all your questions and problems related to the refrigerator. Do not intervene or let someone intervene to the refrigerator without notifying the authorized services.
- Do not eat cone ice cream and ice cubes immediately after you take

them out of the freezer compartment! (This may cause frostbite in your mouth.)

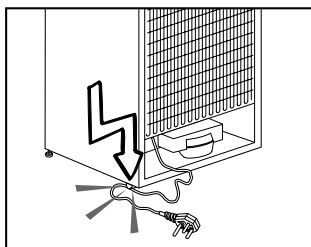
- Do not put bottled and canned liquid beverages in the freezer compartment. Otherwise, these may burst.
- Do not touch frozen food by hand; they may stick to your hand.
- Vapor and vaporized cleaning materials should never be used in cleaning and defrosting processes of your refrigerator. In such cases, the vapor might get in contact with the electrical parts and cause short circuit or electric shock.
- Never use the parts on your refrigerator such as the door as a means of support or step.
- Do not use electrical devices inside the refrigerator.
- Do not damage the cooling circuit, where the refrigerant is circulating, with drilling or cutting tools. The refrigerant that might blow out when the gas channels of the evaporator, pipe extensions or surface coatings are punctured may cause skin irritations and eye injuries.
- Do not cover or block the ventilation holes on your refrigerator with any material.
- Repairs of the electrical appliances must only be made by qualified persons. Repairs performed by incompetent persons may create a risk for the user.
- In case of any failure or during a maintenance or repair work, disconnect your refrigerator's mains

supply by either turning off the relevant fuse or unplugging your appliance.

- Do not pull by the cable when pulling off the plug.
- Place the beverage with higher proofs tightly closed and vertically.
- Do not store explosive substances such as aerosol cans with a flammable propellant in this appliance.
- Do not use mechanical devices or other means to accelerate the defrosting process, others than those recommended by the manufacturer.
- This appliance is not intended for use by persons (including children) with reduced physical, sensory or mental capabilities, or lack of experience and knowledge, unless they have been given supervision or instruction concerning use of the appliance by a person responsible for their safety.
- Do not operate a damaged refrigerator. Consult your service if you have any doubts.
- Electrical safety of your refrigerator shall be guaranteed only if the earth system in your house complies with standards.
- Exposing the product to rain, snow, sun and wind is dangerous with respect to electrical safety.
- Contact the authorized service when there is a power cable damage and etc. so that it will not create a danger for you.
- Never plug the refrigerator into the wall outlet during installation. Otherwise, risk of death or serious injury may arise.
- This refrigerator is designed solely for

storing food. It should not be used for any other purposes.

- The label that describes the technical specification of the product is located on the inner left part of the refrigerator.
- Do not hook up the refrigerator to electronic energy saving systems as it may damage the product.
- If the refrigerator has blue light do not look at the blue light through optical devices.
- If the power supply is disconnected in manually controlled refrigerators please wait for at least 5 minutes before reconnecting the power.
- This product manual should be passed to the next owner of the refrigerator if the owner changes.
- When moving the refrigerator make sure that you do not damage the power cord. In order to prevent fire the power cord should not be twisted. Heavy objects should not be placed on the power cord. When the refrigerator is being plugged do not handle the power outlet with wet hands.



- Do not plug the refrigerator if the electric outlet is loose.
- Do not splash water directly on the outer or inner parts of the refrigerator

due to safety.

- Do not spray inflammable materials such as propane gas etc near refrigerator due to the risk of fire and explosion.
- Do not place objects filled with water on top of the refrigerator as it may result in electric shock or fire.
- Do not overload the refrigerator with excess food. The excess food may fall when the door is opened resulting in injuring you or damaging the refrigerator. Do not place objects on top of the refrigerator as the objects may fall when opening or closing the refrigerator door.
- Materials that require certain temperature conditions such as vaccine, temperature sensitive medicines, scientific materials etc should not be kept in refrigerator.
- If refrigerator will not be operated for an extended period of time it should be unplugged. A problem in electrical cable insulation may result in fire.
- The tip of the electric plug should be cleaned regularly otherwise it may cause fire.
- The refrigerator may move when the adjustable feet is not positioned firmly on the floor. Using the adjustable feet you can unsure that the refrigerator is positioned firmly on the floor.
- If the refrigerator has door handle do not pull the refrigerator via door handles when moving the product as it may disconnect the handle from the refrigerator.
- If you must operate your appliance adjacent to another refrigerator or

freezer, the distance between the appliances must be at least 8 cm. Otherwise condensation may occur on the side walls facing each other.

- Water mains pressure must not be below 1 bar. Water mains pressure must not be above 8 bars.

- Use only drinkable potable water.

Child safety

- If the door has a lock, the key should be kept away from reach of children.
- Children should be supervised to ensure that they do not play with the appliance

HCA Warning

If your product is equipped with a cooling system that contains R600a:

This gas is flammable. Therefore, pay attention to not damaging the cooling system and piping during usage and transportation. In the event of damage, keep your product away from potential fire sources that can cause the product

catch a fire and ventilate the room in which the unit is placed.

Ignore the warning if your product is equipped with a cooling system that contains R134a.

You can see the gas used in production of your product on the rating plate that is located on the left inner part of it.

Never dispose the product in fire.

Things to be done for energy saving

- Do not leave the doors of your refrigerator open for a long time.
- Do not put hot food or drinks in your refrigerator.
- Do not overload your refrigerator so that the air circulation inside of it is not prevented.
- Do not install your refrigerator under direct sunlight or near heat emitting appliances such as ovens, dishwashers or radiators.
- Pay attention to keep your food in closed containers.
- Maximum amount of food can be put in your refrigerator's freezer compartment when the freezer compartment shelf or drawer is removed. Declared energy consumption value of your refrigerator was determined when the freezer compartment shelf or drawer was removed and under maximum amount of food load. There is no risk in using a shelf or drawer according to the shapes and sizes of the foods to be frozen.

3 Installation

⚠ Please remember that the manufacturer shall not be held liable if the information given in the instruction manual is not observed.

Points to be considered when re-transporting your refrigerator

1. Your refrigerator must be emptied and cleaned prior to any transportation.
2. Shelves, accessories, crisper and etc. in your refrigerator must be fastened securely by adhesive tape against any jolt before repackaging.
3. Packaging must be tied with thick tapes and strong ropes and the rules of transportation printed on the package must be followed.

Please do not forget...

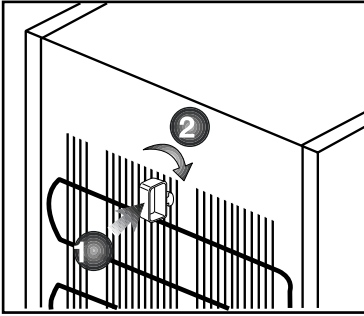
Every recycled material is an indispensable source for the nature and for our national resources.

If you wish to contribute to recycling the packaging materials, you can get further information from the environmental bodies or local authorities.

Before operating your refrigerator

Before starting to use your refrigerator check the following:

1. Is the interior of the refrigerator dry and can the air circulate freely in the rear of it?
2. Clean the interior of the refrigerator as recommended in the "Maintenance and cleaning" section.
3. Plug the refrigerator into the wall outlet. When the fridge door is open the fridge compartment interior light will come on.
4. You will hear a noise as the compressor starts up. The liquid and gases sealed within the refrigeration system may also give rise to noise, even if the compressor is not running and this is quite normal.
5. Front edges of the refrigerator may feel warm. This is normal. These areas are designed to be warm to avoid condensation.



Electric connection

Connect your product to a grounded socket which is being protected by a fuse with the appropriate capacity.

Important:

- The connection must be in compliance with national regulations.
- The power cable plug must be easily accessible after installation.
- The specified voltage must be equal to your mains voltage.
- Extension cables and multiway plugs must not be used for connection.

⚠ A damaged power cable must be replaced by a qualified electrician.

⚠ Product must not be operated before it is repaired! There is danger of electric shock!

Disposing of the packaging

The packing materials may be dangerous for children. Keep the packing materials out of the reach of children or dispose them of by classifying them in accordance with the waste instructions. Do not dispose them of along with the normal household waste.

The packing of your refrigerator is produced from recyclable materials.

Disposing of your old refrigerator

Dispose of your old machine without giving any harm to the environment.

- You may consult your authorized dealer or waste collection center of your municipality about the disposal of your refrigerator.

Before disposing of your refrigerator, cut out the electric plug and, if there are any locks on the door, make them inoperable in order to protect children against any danger.

Placing and Installation

⚠ If the entrance door of the room where the refrigerator will be installed is not wide enough for the refrigerator to pass through, than call the authorized service to have them remove the doors of your refrigerator and pass it sideways through the door.

1. Install your refrigerator to a place that allows ease of use.

2. Keep your refrigerator away from heat sources, humid places and direct sunlight.

3. There must be appropriate air ventilation around your refrigerator in order to achieve an efficient operation.

If the refrigerator is to be placed in a recess in the wall, there must be at least 5 cm distance with the ceiling and at least 5 cm with the wall.

If the floor is covered with a carpet, your product must be elevated 2.5 cm from the floor.

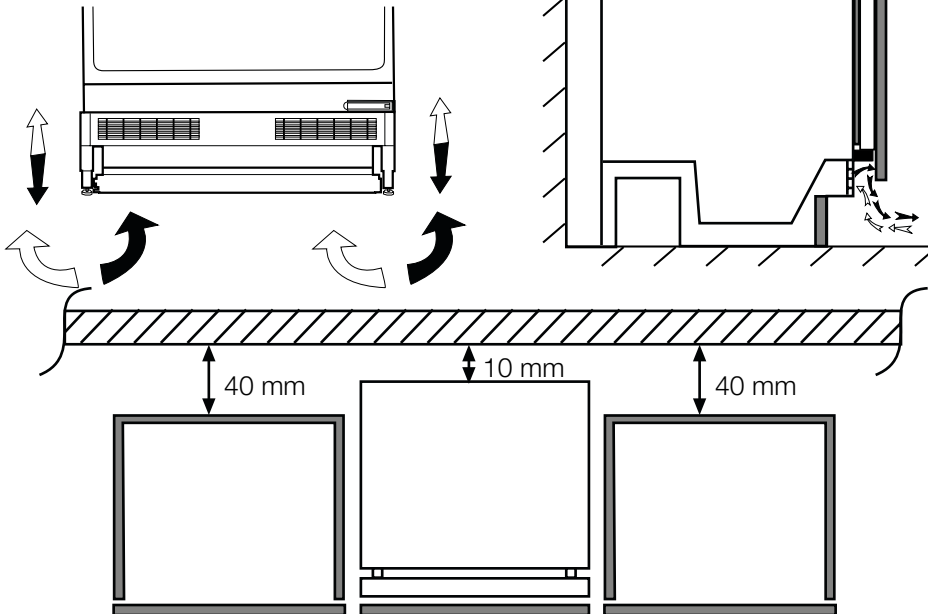
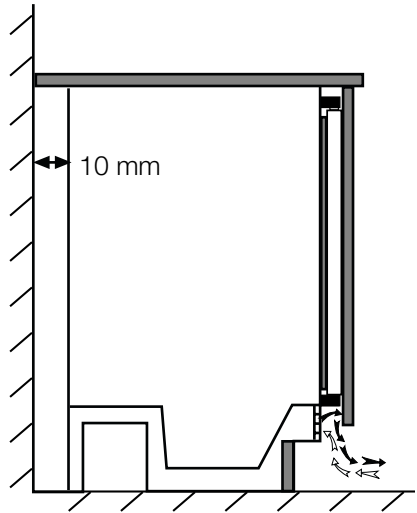
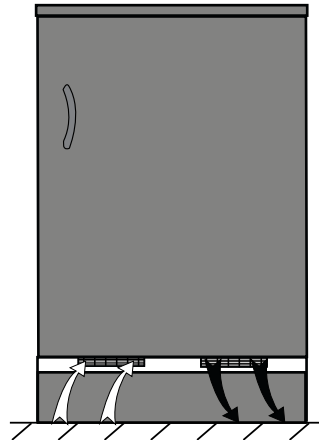
4. Place your refrigerator on an even floor surface to prevent jolts.

Placing the refrigerator under the counter and adjusting the legs

When you place your refrigerator, the distance between the product and the wall must be at least 10 cm, as seen in .the figure

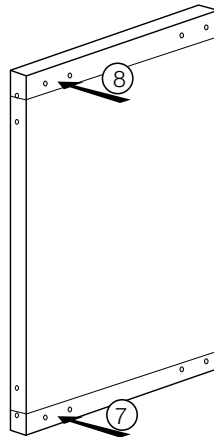
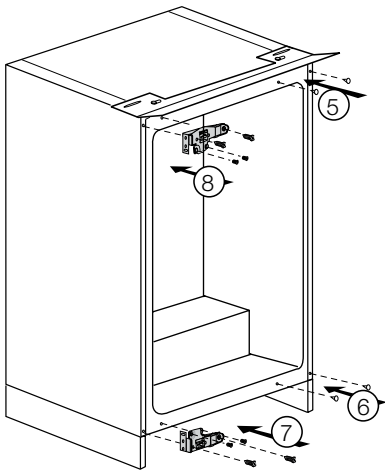
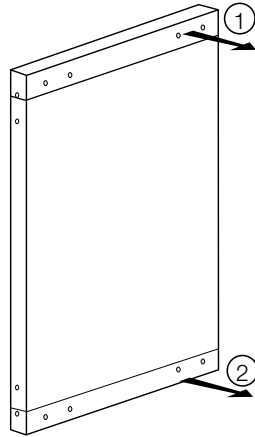
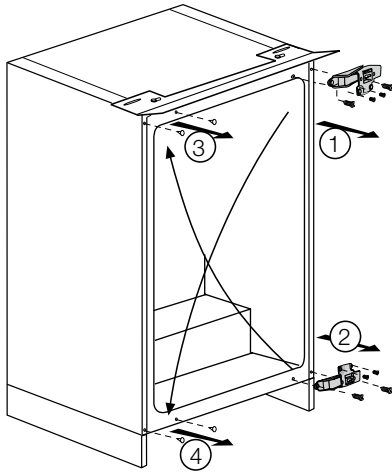
The air sucking channels must not be blocked so that the performance of your refrigerator does not decrease. ((140 cm²

;If your refrigerator is unstable
You may turn the front legs of your refrigerator as seen in the figure and make it stay balanced. The corner of the leg lowers when the leg is turned in the direction of the black arrow; it rises when the leg is turned in the opposite direction. It will be easier for you when you get some help from someone to lift .the unit a little during this process



Reversing the doors

Proceed in numerical order



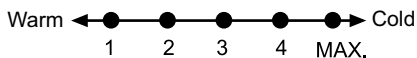
4 Preparation

- i** Your refrigerator should be installed at least 30 cm away from heat sources such as hobs, ovens, central heater and stoves and at least 5 cm away from electrical ovens and should not be located under direct sunlight.
- i** The ambient temperature of the room where you install your refrigerator should at least be 10°C. Operating your refrigerator under cooler conditions than this is not recommended with regard to its efficiency.
- i** Please make sure that the interior of your refrigerator is cleaned thoroughly.
- i** If two refrigerators are to be installed side by side, there should be at least 2 cm distance between them.
- i** When you operate your refrigerator for the first time, please observe the following instructions during the initial six hours.
 - The door should not be opened frequently.
 - It must be operated empty without any food in it.
 - Do not unplug your refrigerator. If a power failure occurs out of your control, please see the warnings in the “Recommended solutions for the problems” section.
- i** Original packaging and foam materials should be kept for future transportations or moving.

5 Using your refrigerator

Setting the operating temperature

The operating temperature is regulated by the temperature control.



Please choose the setting according to the desired temperature.

The interior temperature also depends on ambient temperature, the frequency with which the door is opened and the amount of foods kept inside.

Frequently opening the door causes the interior temperature to rise.

For this reason, it is recommended to close the door again as soon as possible after use.

The normal storage temperature of your appliance should be $-18\text{ }^{\circ}\text{C}$ ($0\text{ }^{\circ}\text{F}$). Lower temperatures can be obtained by adjusting the thermostat knob towards Position 4 (or Max.).

We recommend checking the temperature with a thermometer to ensure that the storage compartments are kept to the desired temperature. Remember to take the reading immediately since the thermometer temperature will rise very rapidly after you remove it from the freezer.

Freezing

Freezing food

The freezing compartment is marked with *** ** *** this symbol.

You can use the appliance for freezing fresh food as well as for storing pre-frozen food.

Please refer to the recommendations given on the packaging of your food.

⚠ Attention

Do not freeze fizzy drinks, as the bottle may burst when the liquid in it is frozen.

Be careful with frozen products such as coloured ice-cubes.

Do not exceed the freezing capacity of your appliance in 24 hours. See the rating label.

In order to maintain the quality of the food, the freezing must be effected as rapidly as possible.

Thus, the freezing capacity will not be exceeded, and the temperature inside the freezer will not rise.

⚠ Attention

Keep the already deep-frozen food always separated with freshly placed food.

When deep-freezing hot food, the cooling compressor will work until the food is completely frozen. This can temporarily cause excessive cooling of the refrigeration compartment.

If you find the freezer door difficult to open just after you have closed it, don't worry. This is due to the pressure difference which will equalize and allow the door to open normally after a few minutes.

You will hear a vacuum sound just after closing the door. This is quite normal.

- Frozen food can be stored up to 3 months in general in temperatures under $-18\text{ }^{\circ}\text{C}$. Storage periods may

vary depending on the type of the food. Storage periods of expiry dates of such food are indicated on the food package by their manufacturers.

- Frozen food that you have purchased should be placed in the freezer before they thaw.
- Frozen food may be kept in the compartments with drawers.

To ensure that the high quality achieved by the frozen food manufacturer and the food retailer is maintained the following should be remembered:

1. Put packets in the freezer as quickly as possible after purchase.
2. Do not exceed "Use By", "Best Before" dates on the packaging.
3. Please note that drawers, baskets, flaps, trays are all removable.

Defrost

Increase in the thickness of the ice that forms on the evaporator of your refrigerator will decrease the cooling efficiency of it.

Therefore, you must defrost the ice when the thickness of the ice layer around the evaporator reaches to approximately 5 mm. It is recommended to defrost the ice when the refrigerator is not filled too much or is empty.

Wrap the food in the refrigerator by a few sheets of paper and keep them in the coolest place possible or in another refrigerator.

Turn the thermostat setting button to "off" or unplug the power cable in order to perform the defrosting.

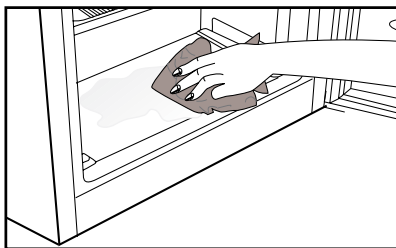
Remove the drawers of your refrigerator (it is not required to remove the lid of the compartment equipped

with a lid). After some time, the water that melts will accumulate in the pool located at the bottom of your refrigerator.

Remove the accumulating water by means of a soft sponge or etc. and dry the pool thoroughly.

Do not forget to turn the thermostat setting button to a position other than the "off" in order to restart your refrigerator.

Operate your refrigerator for 2 hours while it is empty and its doors are closed before replacing your food into it.



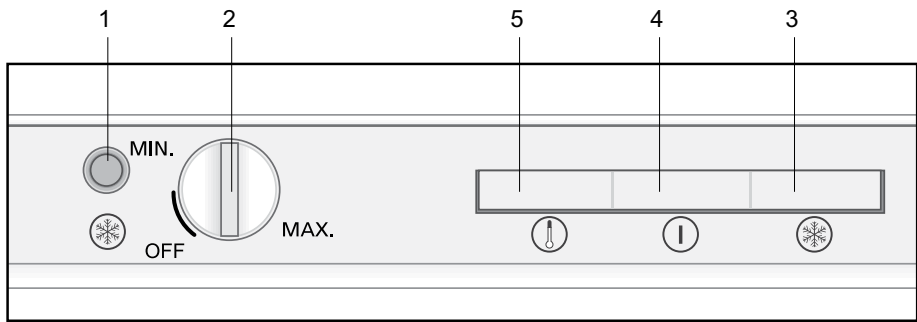
Stopping your product

If your thermostat is equipped with "0" position:

- Your product will stop operating when you turn the thermostat button to "0" (zero) position. Your product will not start unless to you turn the thermostat button to position "1" or one of the other positions again.

If your thermostat is equipped with "min" position:

- Unplug your product to stop it.



LED indicators and control panel

LED indicators in the front section of your refrigerator are intended to help you in monitoring the operation of your appliance.

Keep your food in the refrigerator in a safe manner by monitoring and using these LEDs and controls as explained below:

Fast Freeze Button (1): Used to freeze the food fastly. Compressor may not operate immediately but after some time when the button is pressed and this is quite normal.

Thermostat Setting Button (2): Used to set your refrigerator between minimum and maximum values.

The appliance may go to OFF position when the knob is adjusted below MIN. When the green indicator light is OFF, the appliance is turned OFF also.

Once it is turned OFF (even for defrosting), please adjust the knob somewhere above MIN to be sure that it is turned ON again. When the appliance is turned ON, the green indicator will light up.

Orange LED (3): Lights up when the fast freeze button on the LED panel is pressed. In this case, your refrigerator operates continuously.

Press the button again when the food you would like to fast freeze comes to the desired temperature and the orange LED will turn off.

Green LED (4): Lights up continuously after plugging in your refrigerator.

Red LED (5): It warns you by lighting up continuously when your refrigerators start to operates, if not enough cooling effect is obtained, when the door remains open for a long time and when excessive food is loaded.

If the red LED lights up continuously when the conditions stated in the adjacent column do not exist, then call our Authorized Service.

6 Maintenance and cleaning

- ⚠ Never use gasoline, benzene or similar substances for cleaning purposes.
- ⚠ We recommend that you unplug the appliance before cleaning.
- ⚠ Never use any sharp abrasive instrument, soap, household cleaner, detergent and wax polish for cleaning.
- ℹ Use lukewarm water to clean the cabinet of your refrigerator and wipe it dry.
- ℹ Use a damp cloth wrung out in a solution of one teaspoon of bicarbonate of soda to one pint of water to clean the interior and wipe it dry.
- ⚠ Make sure that no water enters the lamp housing and other electrical items.
- ⚠ If your refrigerator is not going to be used for a long period of time, unplug the power cable, remove all food, clean it and leave the door ajar.
- ℹ Check door seals regularly to ensure they are clean and free from food particles.
- ⚠ To remove door racks, remove all the contents and then simply push the door rack upwards from the base.

Protection of plastic surfaces

- ℹ Do not put liquid oils or oil-cooked meals in your refrigerator in unsealed containers as they may damage the plastic surfaces of your refrigerator. In case of spilling or smearing oil on the plastic surfaces, clean and rinse the relevant part of the surface at once with warm water.

7 Recommended solutions for the problems

Please review this list before calling the service. It might save you time and money. This list includes frequent complaints that are not arising from defective workmanship or material usage. Some of the features described here may not exist in your product.

The refrigerator does not operate.
<ul style="list-style-type: none">• Is the refrigerator properly plugged in? Insert the plug to the wall socket.• Is the fuse of the socket which your refrigerator is connected to or the main fuse blown out? Check the fuse.
Condensation on the side wall of the fridge compartment (MULTIZONE, COOL CONTROL and FLEXI ZONE).
<ul style="list-style-type: none">• Very cold ambient conditions. Frequent opening and closing of the door. Highly humid ambient conditions. Storage of food containing liquid in open containers. Leaving the door ajar. Switching the thermostat to a colder degree.• Decreasing the time the door left open or using it less frequently.• Covering the food stored in open containers with a suitable material.• Wipe the condensation using a dry cloth and check if it persists.
Compressor is not running
<ul style="list-style-type: none">• Protective thermic of the compressor will blow out during sudden power failures or plug-out plug-ins as the refrigerant pressure in the cooling system of the refrigerator has not been balanced yet. Your refrigerator will start running approximately after 6 minutes. Please call the service if the refrigerator does not startup at the end of this period.• The fridge is in defrost cycle. This is normal for a full-automatically defrosting refrigerator. Defrosting cycle occurs periodically.• Your refrigerator is not plugged into the socket. Make sure that the plug is properly fit into the socket.• Are the temperature adjustments correctly made?• Power might be cut off.

The fridge is running frequently or for a long time.

- Your new product may be wider than the previous one. This is quite normal. Large refrigerators operate for a longer period of time.
- The ambient room temperature may be high. This is quite normal.
- The refrigerator might have been plugged in recently or might have been loaded with food. Cooling down of the refrigerator completely may last for a couple of hours longer.
- Large amounts of hot food might have been put in the refrigerator recently. Hot food causes longer running of the refrigerator until they reach the safe storage temperature.
- Doors might have been opened frequently or left ajar for a long time. The warm air that has entered into the refrigerator causes the refrigerator to run for longer periods. Open the doors less frequently.
- Freezer or fridge compartment door might have been left ajar. Check if the doors are tightly closed.
- The refrigerator is adjusted to a very low temperature. Adjust the refrigerator temperature to a warmer degree and wait until the temperature is achieved.
- Door seal of the fridge or freezer may be soiled, worn out, broken or not properly seated. Clean or replace the seal. Damaged/broken seal causes the refrigerator to run for a longer period of time in order to maintain the current temperature.

Freezer temperature is very low while the fridge temperature is sufficient.

- The freezer temperature is adjusted to a very low temperature. Adjust the freezer temperature to a warmer degree and check.

Fridge temperature is very low while the freezer temperature is sufficient.

- The fridge temperature might have been adjusted to a very low temperature. Adjust the fridge temperature to a warmer degree and check.

Food kept in the fridge compartment drawers are freezing.

- The fridge temperature might have been adjusted to a very low temperature. Adjust the fridge temperature to a warmer degree and check.

Temperature in the fridge or freezer is very high.

- The fridge temperature might have been adjusted to a very high degree. Fridge adjustment has an effect on the temperature of the freezer. Change the temperature of the fridge or freezer until the fridge or freezer temperature reaches to a sufficient level.
- Doors might have been opened frequently or left ajar for a long time; open them less frequently.
- Door might have been left ajar; close the door completely.
- Large amount of hot food might have been put in the refrigerator recently. Wait until the fridge or freezer reaches the desired temperature.
- The refrigerator might have been plugged in recently. Cooling down of the refrigerator completely takes time.

The operation noise increases when the refrigerator is running.

- The operating performance of the refrigerator may change due to the changes in the ambient temperature. It is normal and not a fault.

Vibrations or noise.

- The floor is not even or it is weak. The refrigerator rocks when moved slowly. Make sure that the floor is strong enough to carry the refrigerator, and level.
- The noise may be caused by the items put onto the refrigerator. Items on top of the refrigerator should be removed.

There are noises coming from the refrigerator like liquid spilling or spraying.

- Liquid and gas flows happen in accordance with the operating principles of your refrigerator. It is normal and not a fault.

There is a noise like wind blowing.

- Fans are used in order to cool the refrigerator. It is normal and not a fault.

Condensation on the inner walls of refrigerator.

- Hot and humid weather increases icing and condensation. It is normal and not a fault.
- Doors might have been left ajar; make sure that the doors are closed fully.
- Doors might have been opened frequently or left ajar for a long time; open them less frequently.

Humidity occurs on the outside of the refrigerator or between the doors.

- There might be humidity in the air; this is quite normal in humid weather. When the humidity is less, condensation will disappear.

Bad odor inside the refrigerator.

- Inside of the refrigerator must be cleaned. Clean the inside of the refrigerator with a sponge, lukewarm water or carbonated water.
- Some containers or package materials might cause the smell. Use a different container or different brand packaging material.

The door is not closing.

- Food packages may prevent the door's closing. Replace the packages that are obstructing the door.
- The refrigerator is not completely upright on the floor and rocking when slightly moved. Adjust the elevation screws.
- The floor is not level or strong. Make sure that the floor is level and capable to carry the refrigerator.

Crispers are stuck.

- The food might be touching the ceiling of the drawer. Rearrange food in the drawer.

COUNTRY	COMPANY	CC	TELEPHONE	E-MAIL / FAX
AUSTRIA	KÜPPERSBUSCH GesmbH	43	1 866 800	info@kueppersbusch.at
BELGIUM	B.V.B.A. KÜPPERSBUSCH S.P.R.L.	32	2 466 8740	info@kueppersbusch.be
BULGARIA	TEKA BULGARIA LTD.	359	2 9768 330	2 9768 332
CHILE	TEKA CHILE, S.A.	56	2 4386 000	info@teka.cl
P. R. CHINA	TEKA INTERNATIONAL TRADING (Shanghai)	86	2 1 511 688 41	info@teka.cn
CZECH REPUBLIC	TEKA CZ S.R.O.	420	2 84 691940	info@teka-cz.cz
ECUADOR	TEKA ECUADOR, S.A.	593	4 2100311	ventas@teka.ec
GERMANY	TEKA KÜCHENTECHNIK GmbH	49	2771 3950	info@teka-kuechentechnik.de
GREECE	TEKA HELLAS A.E.	30	210 9760283	info@tekahellas.gr
HUNGARY	TEKA HUNGARY KFT	36	1 3542110	teka@teka.hu
INDONESIA	PT TEKA BUANA	62	21 390 5274	teka@tekabuana.com
MALAYSIA	TEKA KÜCHENTECHNIK (MALAYSIA) SDN.	60	3 7620 1600	customer_svc@teka.com.my
MAROC	TEKA MAROC, SA	34	942 355 286	942 355 260
MIDDLE EAST	TEKA KÜCHENTECHNIK MIDDLE EAST FZE	971	4 887 2912	teka@emirates.net.ae
MEXICO	TEKA MEXICANA S.A. de C.V.	52	555 133 0493	ventas@tekamexicana.com.mx
POLAND	TEKA POLSKA SP. ZO.O.	48	22 7383270	teka@teka.com.pl
PORTUGAL	TEKA PORTUGAL, S.A.	351	234 329 500	saciente@teka.pt
ROMANIA	SC TEKA KÜCHENTECHNIK ROMANIA SRL	40	21 233 44 50	21 233 44 51
RUSSIA	TEKA RUS LLC	7	495 101 31 08	info@tekarus.ru
SINGAPORE	TEKA SINGAPORE PTE. LTD.	65	67342415	tekasin@pacific.net.sg
SPAIN	TEKA INDUSTRIAL, S.A.	34	942355050	mail@teka.com
THAILAND	TEKA (THAILAND) CO. LTD.	66	2 652 2999	2 652 2 740 1
TURKEY	TEKA TEKNİK MUTFAK	90	212 288 3134	teka@teka.com.tr
UKRAINE	TEKA UA	380	44 496 0680	info@teka.ua
UNITED ARAB EMIRATES	TEKA KÜCHENTECHNIK U.A.E. LLC	971	4 283 3047	uaeteka@emirates.net.ae
UNITED KINGDOM	TEKA PRODUCTS LTD.	44	1235 861916	info@teka.co.uk
USA	TEKA USA, INC.	1	813 2888820	info@tekausa.com
VENEZUELA	TEKA ANDINA, S.A.	58	2 1229 12821	teka@teka.com.ve
VIETNAM	TEKA VIETNAM CO LTD	848	38 258 746	38 258 747



TEKA INDUSTRIAL, S.A.
C/ Cajo, 17
39011 Santander (Spain)
Tel.: +34 942 355050
Fax: +34 942 347694
mail@teka.com

Teka
www.teka.com

TEKA KÜCHENTECHNIK GmbH
Sechsheldener Str. 122
35708 Haiger (Germany)
Tel.: +49 2771 8141 0
Fax: +49 2771 8141 10
info@teka-kuechentechnik.de
48 9585 0000

COUNTRY	COMPANY	CC	TELEPHONE	E-MAIL / FAX
AUSTRIA	KÜPPERSBUSCH GesmbH	43	1 866 800	info@kueppersbusch.at
BELGIUM	B.V.B.A. KÜPPERSBUSCH S.P.R.L.	32	2 466 8740	info@koppersbusch.be
BULGARIA	TEKA BULGARIA LTD.	359	2 9768 330	2 9768 332
CHILE	TEKA CHILE, S.A.	56	2 4386 000	info@teka.cl
P. R. CHINA	TEKA INTERNATIONAL TRADING (Shanghai)	86	2 1 511 688 41	info@teka.cn
CZECH REPUBLIC	TEKA CZ S.R.O.	420	2 84 691940	info@teka-cz.cz
ECUADOR	TEKA ECUADOR, S.A.	593	4 2100311	ventas@teka.ec
GERMANY	TEKA KÜCHENTECHNIK GmbH	49	2771 3950	info@teka-kuechentechnik.de
GREECE	TEKA HELLAS A.E.	30	210 9760283	info@tekahellas.gr
HUNGARY	TEKA HUNGARY KFT	36	1 3542110	teka@teka.hu
INDONESIA	PT TEKA BUANA	62	21 390 5274	teka@tekabuana.com
MALAYSIA	TEKA KÜCHENTECHNIK (MALAYSIA) SDN.	60	3 7620 1600	customer_svc@teka.com.my
MAROC	TEKA MAROC, SA	34	942 355 286	942 355 260
MIDDLE EAST	TEKA KÜCHENTECHNIK MIDDLE EAST FZE	971	4 887 2912	teka@emirates.net.ae
MEXICO	TEKA MEXICANA S.A. de C.V.	52	555 133 0493	ventas@tekamexicana.com.mx
POLAND	TEKA POLSKA SP. ZO.O.	48	22 7383270	teka@teka.com.pl
PORTUGAL	TEKA PORTUGAL, S.A.	351	234 329 500	sacliente@teka.pt
ROMANIA	SC TEKA KÜCHENTECHNIK ROMANIA SRL	40	21 233 44 50	21 233 44 51
RUSSIA	TEKA RUS LLC	7	495 101 31 08	info@tekarus.ru
SINGAPORE	TEKA SINGAPORE PTE. LTD.	65	67342415	tekasin@pacific.net.sg
SPAIN	TEKA INDUSTRIAL, S.A.	34	942355050	mail@teka.com
THAILAND	TEKA (THAILAND) CO. LTD.	66	2 652 2999	2 652 2740 1
TURKEY	TEKA TEKNİK MUTFAK	90	212 288 3134	teka@teka.com.tr
UKRAINE	TEKA UA	380	44 496 0680	info@teka.ua
UNITED ARAB EMIRATES	TEKA KÜCHENTECHNIK U.A.E. LLC	971	4 283 3047	uaeteka@emirates.net.ae
UNITED KINGDOM	TEKA PRODUCTS LTD.	44	1235 861916	info@teka.co.uk
USA	TEKA USA, INC.	1	813 2888820	info@tekausa.com
VENEZUELA	TEKA ANDINA, S.A.	58	2 1229 12821	teka@teka.com.ve
VIETNAM	TEKA VIETNAM CO LTD	848	38 258 746	38 258 747



TEKA INDUSTRIAL, S.A.
C/ Cajo, 17
39011 Santander (Spain)
Tel.: +34 942 355050
Fax: +34 942 347694
mail@teka.com

teka
www.teka.com

TEKA KÜCHENTECHNIK GmbH
Sechsheldener Str. 122
35708 Haiger (Germany)
Tel.: +49 2771 8141 0
Fax: +49 2771 8141 10
info@teka-kuechentechnik.de

48 9585 0000

2/2
PT-IT-EL-PL-AR

Bitte lesen Sie zuerst diese Anleitung!

Lieber Kunde,

Wir sind sicher, dass Ihnen dieses Produkt, das in modernsten Fertigungsstätten hergestellt und den strengsten Qualitätsprüfungen unterzogen wurde, lange Zeit gute Dienste leisten wird.




Wir empfehlen Ihnen, vor Inbetriebnahme des Gerätes das gesamte Handbuch durchzulesen und es anschließend aufzubewahren.

Diese Anleitung...

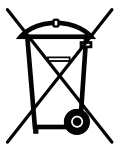
- hilft Ihnen, Ihr Gerät schnell und sicher zu bedienen.
 - Lesen Sie die Anleitung, bevor Sie Ihr Gerät aufstellen und bedienen.
 - Halten Sie sich an die Anweisungen, beachten Sie insbesondere die Sicherheitshinweise.
 - Bewahren Sie die Anleitung an einem leicht zugänglichen Ort auf, damit Sie jederzeit darin nachschlagen können.
 - Lesen Sie auch die weiteren Dokumente, die mit Ihrem Produkt geliefert wurden.
- Bitte beachten Sie, dass diese Anleitung eventuell auch für andere Geräte eingesetzt werden kann.

Symbole und ihre Bedeutung

In dieser Anleitung finden Sie die folgenden Symbole:

-  Wichtige Informationen oder nützliche Tipps.
-  Warnung vor Verletzungen oder Sachschäden.
-  Warnung vor elektrischem Strom.

Recycling



Dieses Produkt ist mit dem selektiven Entsorgungssymbol für elektrische und elektronische Altgeräte (WEEE) gekennzeichnet.

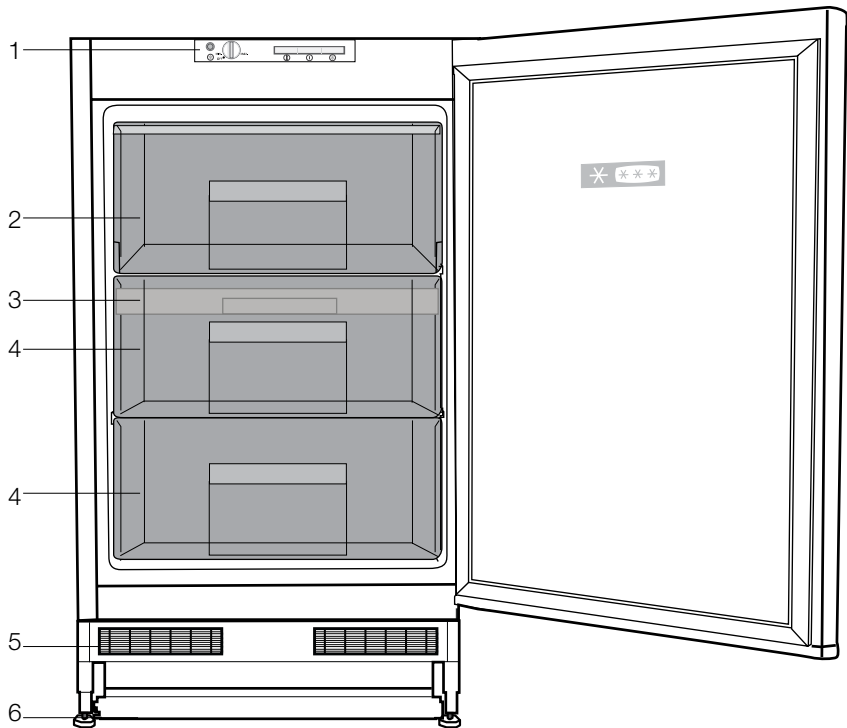
Das bedeutet, dass dieses Produkt gemäß der europäischen Richtlinie 2002/96/EC gehandhabt werden muss, um mit nur minimalen umweltspezifischen Auswirkungen recycelt oder zerlegt werden zu können. Weitere Informationen erhalten Sie von Ihren regionalen Behörden.

Elektronikprodukte, die nicht durch den selektiven Entsorgungsvorgang erfasst werden, stellen durch das Vorhandensein potenziell gefährlicher Substanzen umwelt- und gesundheitsrelevante Risiken dar.

INHALT

1 Ihr Kühlschrank	3	4 Vorbereitung	12
2 Wichtige Sicherheitshinweise	4	5 Nutzung des Kühlschranks	13
Bestimmungsgemäßer Gebrauch	4	Einstellen der Betriebstemperatur	13
Allgemeine Hinweise zu Ihrer Sicherheit ...	4	Gefrieren.....	13
Kinder – Sicherheit	6	Gerät stoppen	14
HCA-Warnung.....	7	Abtauen.....	14
Dinge, die Sie zum Energiesparen beachten sollten	7	LED-Anzeigen und Bedienfeld	15
3 Installation	8	6 Wartung und Reinigung	16
Was Sie bei einem weiteren Transport Ihres Kühlschranks beachten müssen	8	Schutz der Kunststoffflächen	16
Bevor Sie Ihren Kühlschrank einschalten..	8	7 Empfehlungen zur Problemlösung	17
Verpackungsmaterialien entsorgen	9	48 9585 0000.....	21
Altgeräte entsorgen	9	48 9585 0000.....	22
Aufstellung und Installation	9		
Kühlschrank unter einer Arbeitsplatte installieren, Füße einstellen.....	10		
Türanschlag umkehren.....	11		

1 Ihr Kühlschrank



- 1- Bedienfeld
- 2- Schnellgefrierfach
- 3- Eisschale
- 4- Tiefkühlfach
- 5- Belüftungsdeckel
- 6- Einstellbare Füße

Abbildungen und Angaben in dieser Anleitung sind schematisch und können etwas von Ihrem Gerät abweichen. Falls Teile nicht zum Lieferumfang des erworbenen Gerätes zählen, gelten sie für andere Modelle.

2 Wichtige Sicherheitshinweise

Bitte lesen Sie die folgenden Hinweise aufmerksam durch. Bei Nichtbeachtung kann es zu Verletzungen und/oder Sachschäden kommen. In diesem Fall erlöschen auch sämtliche Garantie- und sonstigen Ansprüche.

Die reguläre Einsatzzeit des von Ihnen erworbenen Gerätes beträgt 10 Jahre. In diesem Zeitraum halten wir Ersatzteile für das Gerät bereit, damit es stets wie gewohnt arbeiten kann.

Bestimmungsgemäßer Gebrauch

- Dieses Gerät ist ausschließlich zum Einsatz im Haushalt und bei ähnlichen Anwendungen vorgesehen:
 - Personalküchen in Geschäften, Büros und an anderen Arbeitsplätzen;
 - Nutzung auf Bauernhöfen, durch Gäste von Hotels, Motels und anderen Herbergen;
 - Private Zimmervermietung;
 - Catering und ähnliche Anwendungsbereiche.
- Das Gerät sollte nicht im Freien benutzt werden. Es ist nicht für die Nutzung außerhalb des Hauses geeignet, auch wenn die Stelle überdacht ist.
- Der Verzehr von Speiseeis und Eiswürfeln unmittelbar nach der Entnahme aus dem Tiefkühlbereich ist nicht ratsam. (Dies kann zu Erfrierungen führen.)
- Bewahren Sie Getränke in Flaschen und Dosen niemals im Tiefkühlbereich auf. Diese platzen.
- Berühren Sie gefrorene Lebensmittel nicht mit der Hand; sie können festfrieren.
- Verwenden Sie niemals Dampf- oder Sprühreiniger zum Reinigen und Abtauen Ihres Kühlschranks. Die Dämpfe oder Nebel können in Kontakt mit stromführenden Teilen geraten und Kurzschlüsse oder Stromschläge auslösen.
- Missbrauchen Sie niemals Teile Ihres Kühlschranks (z. B. Tür) als Befestigungen oder Kletterhilfen.
- Nutzen Sie keine elektrischen Geräte innerhalb des Kühlschranks.
- Achten Sie darauf, den Kühlkreislauf keinesfalls mit Bohr- oder Schneidwerkzeugen zu beschädigen. Das Kühlmittel kann herausspritzen, wenn die Gaskanäle des Verdunsters, Rohr- und Schlauchleitungen oder Oberflächenversiegelungen beschädigt werden. Dies kann zu Hautreizungen und Augenverletzungen führen.

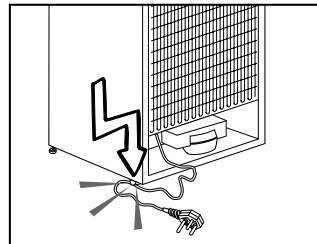
Allgemeine Hinweise zu Ihrer Sicherheit

- Wenn Sie das Gerät entsorgen möchten, wenden Sie sich am besten an den autorisierten Kundendienst. Hier erhalten Sie notwendige Informationen und erfahren, welche Stellen für die Entsorgung zuständig sind.
- Bei Problemen und Fragen zum Gerät wenden Sie sich grundsätzlich an den autorisierten Kundendienst. Ziehen Sie keine Dritten zu Rate, versuchen Sie nichts in Eigenregie, ohne den autorisierten Kundendienst davon in Kenntnis zu setzen.
- Decken Sie keinerlei Belüftungsöffnungen des Kühlschranks ab.
- Reparaturen an Elektrogeräten dürfen nur von qualifizierten Fachleuten ausgeführt werden. Reparaturen durch weniger kompetente Personen können erhebliche Gefährdungen des Anwenders verursachen.
- Sollten Fehler oder Probleme während der Wartung oder Reparaturarbeiten auftreten, so trennen Sie den Kühlschrank von der Stromversorgung, indem Sie die entsprechende Sicherung abschalten oder den Netzstecker ziehen.

- Ziehen Sie niemals am Netzkabel – ziehen Sie direkt am Stecker.
- Lagern Sie hochprozentige alkoholische Getränke gut verschlossen und aufrecht.
- Lagern Sie keinerlei explosiven Substanzen (dazu zählen auch Sprühdosen mit brennbarem Treibmittel) im Gerät.
- Verwenden Sie ausschließlich vom Hersteller empfohlene Geräte oder sonstige Mittel zum Beschleunigen des Abtaugvorgangs. Benutzen Sie nichts anderes.
- Dieses Gerät darf nicht von Personen (einschließlich Kindern) mit eingeschränkten physischen, sensorischen oder geistigen Fähigkeiten bedient werden. Dies gilt auch für in Bezug auf das Gerät unerfahrene Personen, sofern diese nicht beaufsichtigt oder von einer verantwortlichen Person gründlich in die Bedienung des Gerätes eingewiesen wurden.
- Nehmen Sie einen beschädigten Kühlschrank nicht in Betrieb. Bei Zweifeln wenden Sie sich bitte an den Kundendienst.
- Die elektrische Sicherheit des Gerätes ist nur dann gewährleistet, wenn das hausinterne Erdungssystem den zutreffenden Normen entspricht.
- Setzen Sie das Gerät keinem Regen, Schnee, direktem Sonnenlicht oder Wind aus, da dies die elektrische Sicherheit gefährden kann.
- Bei Beschädigungen von Netzkabeln und ähnlichen Dingen wenden Sie sich an den autorisierten Kundendienst, damit es nicht zu Gefährdungen kommt.
- Stecken Sie während der Installation niemals den Netzstecker ein. Andernfalls kann es zu schweren bis tödlichen Verletzungen kommen.
- Dieses Tiefkühlgerät dient nur zur Aufbewahrung von Lebensmitteln. Für andere Zwecke sollte es nicht verwendet

werden.

- Das Schild mit der Beschreibung der technischen Daten des Produkts befindet sich innen links im Tiefkühler.
- Schließen Sie das Kühlgerät nicht an elektronische Energiesparsysteme an, da sonst das Produkt beschädigt werden kann.
- Wenn der Tiefkühler ein blaues Licht zeigt, sehen Sie nicht durch die blauen optischen Teile.
- Wenn die Stromversorgung bei manuell gesteuerten Tiefkühlgeräten abgeschaltet ist, warten Sie bitte mindestens 5 Minuten, bevor Sie den Strom wieder einschalten.
- Diese Bedienungsanleitung sollte bei Besitzerwechsel dem nächsten Besitzer übergeben werden.
- Wenn Sie den Tiefkühler bewegen, stellen Sie sicher, dass Sie das Stromkabel nicht beschädigen. Um Feuer zu vermeiden, verdrehen Sie das Stromkabel nicht. Schwere Objekte sollten nicht auf das Stromkabel gestellt werden. Wenn der Tiefkühler angeschlossen ist, fassen Sie den Stecker nicht mit nassen Händen an.



- Schließen Sie den Tiefkühler nicht an, wenn die Steckdose lose sitzt.
- Spritzen Sie aus Sicherheitsgründen kein Wasser direkt auf oder in den Tiefkühler.
- Sprühen Sie keine entflammenden Stoffe, wie Propangas usw. in die Nähe des Tiefkühlers. Es besteht Feuer- und Explosionsgefahr.
- Stellen Sie keine mit Wasser gefüllten

Objekte auf den Tiefkühler. Ein Kurzschluss oder Feuer könnte die Folge sein.

- Überladen Sie den Tiefkühler nicht. Wenn der Tiefkühler zu voll ist, können Lebensmittel herausfallen. Sie könnten Verletzungen erleiden und der Tiefkühler könnte beschädigt werden. Stellen Sie keine Objekte auf den Tiefkühler. Die Objekte könnten beim Öffnen oder Schließen der Tür herunterfallen.
- Materialien, die bestimmte Temperaturen erfordern, wie z.B. Impfstoffe, temperaturempfindliche Medikamente, wissenschaftliche Materialien usw. dürfen nicht im Tiefkühler aufbewahrt werden.
- Wenn der Tiefkühler eine längere Zeit nicht benutzt wird, sollte er von der Stromversorgung getrennt werden. Ein Problem bei der Isolierung des Kabels könnte ein Feuer verursachen.
- Die Spitze des Steckers sollte regelmäßig gereinigt werden, um ein Feuer zu vermeiden.
- Der Tiefkühler kann sich bewegen, wenn die verstellbaren Füße nicht fest auf dem Boden stehen. Mit den verstellbaren Füßen können Sie den Tiefkühler fest am Boden positionieren.
- Sofern Ihr Kühlgerät mit Türgriffen ausgestattet ist, missbrauchen Sie diese Griffe niemals zum Bewegen des Gerätes; andernfalls können sich die Griffe vom Gerät lösen.
- Falls das Gerät in unmittelbarer Nähe eines anderen Kühlgerätes aufgestellt werden muss, achten Sie unbedingt darauf, dass zwischen den Geräten mindestens 8 cm Abstand verbleiben. Andernfalls kann es zu Feuchtigkeitsniederschlag an benachbarten Flächen kommen.
- Der Wasserdruck muss mindestens 1 bar betragen. Der Wasserdruck darf 8 bar nicht überschreiten.
- Nur Trinkwasser verwenden.

Kinder – Sicherheit

- Bei abschließbaren Türen bewahren Sie den Schlüssel außerhalb der Reichweite von Kindern auf.
- Kinder sollten grundsätzlich beaufsichtigt werden, damit sie nicht mit dem Gerät spielen.

HCA-Warnung

Sofern Ihr Gerät mit dem Kühlmittel R600a arbeitet:

Dieses Gas ist leicht entflammbar. Achten Sie also darauf, Kühlkreislauf und Leitungen während Betrieb und Transport nicht zu beschädigen. Bei Beschädigungen halten Sie das Produkt von potenziellen Zündquellen (z. B. offenen Flammen) fern und sorgen für eine gute Belüftung des Raumes, in dem das Gerät aufgestellt wurde.

Diese Warnung gilt nicht für Sie, wenn Ihr Gerät mit dem Kühlmittel R134a arbeitet.

Das Typenschild links im Innenraum informiert Sie über den in Ihrem Gerät eingesetzten Kühlmitteltyp.

Entsorgen Sie das Gerät niemals durch Verbrennen.

Dinge, die Sie zum Energiesparen beachten sollten

- Halten Sie die Kühlschranktüren nur möglichst kurz geöffnet.
- Lagern Sie keine warmen Speisen oder Getränke im Kühlschrank ein.
- Überladen Sie den Kühlschrank nicht; die Luft muss frei zirkulieren können.
- Stellen Sie den Kühlschrank nicht im direkten Sonnenlicht oder in der Nähe von Wärmequellen wie Öfen, Spülmaschinen oder Heizkörpern auf.
- Achten Sie darauf, Ihre Lebensmittel in verschlossenen Behältern aufzubewahren.

- Sie können besonders viele Lebensmittel im Tiefkühlbereich des Gerätes lagern, wenn Sie zuvor die Ablage oder Schublade im Tiefkühlbereich herausnehmen. Die Energieverbrauchswerte Ihres Kühlschranks wurden bei maximaler Beladung bei herausgenommenen Ablagen oder Schubladen ermittelt. Ansonsten ist es Ihnen freigestellt, die Ablagen oder Schubladen zu verwenden.

3 Installation

⚠ Bitte beachten Sie, dass der Hersteller nicht haftet, wenn Sie sich nicht an die Informationen und Anweisungen der Bedienungsanleitung halten.

Was Sie bei einem weiteren Transport Ihres Kühlschranks beachten müssen

1. Der Kühlschrank muss vor dem Transport geleert und gesäubert werden.
2. Befestigen und sichern Sie Ablagen, Zubehör, Gemüsefach, etc. mit Klebeband, bevor Sie das Gerät neu verpacken.
3. Die Verpackung muss mit kräftigem Klebeband und stabilen Seilen gesichert, die auf der Verpackung aufgedruckten Transporthinweise müssen beachtet werden.

Vergessen Sie nicht...

Jeder wiederverwendete Artikel stellt eine unverzichtbare Hilfe für unsere Natur und unsere Ressourcen dar.

Wenn Sie zur Wiederverwertung von Verpackungsmaterialien beitragen möchten, können Sie sich bei Umweltschutzvereinigungen und Ihren Behörden vor Ort informieren.

Bevor Sie Ihren Kühlschrank einschalten

Bevor Sie Ihren Kühlschrank in Betrieb nehmen, beachten Sie bitte Folgendes:


1. Ist der Innenraum des Kühlschranks trocken, kann die Luft frei an der Rückseite zirkulieren?
2. Reinigen Sie das Innere des Kühlschranks wie im Abschnitt „Wartung und Reinigung“ beschrieben.
3. Stecken Sie den Netzstecker des Kühlschranks in eine Steckdose. Wenn die Kühlbereichstür geöffnet wird, schaltet sich das Licht im Inneren ein.
4. Sie hören ein Geräusch, wenn sich der Kompressor einschaltet. Die Flüssigkeiten und Gase im Kühlsystem können auch leichte Geräusche erzeugen, wenn der Kompressor nicht läuft. Dies ist völlig normal.
5. Die Vorderkanten des Kühlgerätes können sich warm anfühlen. Dies ist normal. Diese Bereiche wärmen sich etwas auf, damit sich kein Kondenswasser bildet.


Elektrischer Anschluss

Schließen Sie das Gerät an eine geerdete (Schuko-) Steckdose an. Diese Steckdose muss mit einer passenden Sicherung abgesichert werden.

Wichtig:

- Der Anschluss muss gemäß lokaler Vorschriften erfolgen.
- Der Netzstecker muss nach der Installation frei zugänglich bleiben.
- Die angegebene Spannung muss mit Ihrer Netzspannung übereinstimmen.
- Zum Anschluss dürfen keine Verlängerungskabel oder Mehrfachsteckdosen verwendet werden.

 Ein beschädigtes Netzkabel muss unverzüglich durch einen qualifizierten Elektriker ausgetauscht werden.

 Das Gerät darf vor Abschluss der Reparaturen nicht mehr betrieben werden! Es besteht Stromschlaggefahr!

Verpackungsmaterialien entsorgen

Das Verpackungsmaterial kann eine Gefahr für Kinder darstellen. Halten Sie Verpackungsmaterialien von Kindern fern oder entsorgen Sie das Verpackungsmaterial gemäß den gültigen Entsorgungsbestimmungen. Entsorgen Sie Verpackungsmaterialien nicht mit dem regulären Hausmüll.

Die Verpackung Ihres Gerätes wurde aus recyclingfähigen Materialien hergestellt.


Altgeräte entsorgen

Entsorgen Sie Altgeräte auf umweltfreundliche Weise.

- Bei Fragen zur richtigen Entsorgung wenden Sie sich bitte an Ihren Händler, an eine Sammelstelle oder an Ihre Stadtverwaltung.

Bevor Sie das Gerät entsorgen, schneiden Sie den Netzstecker ab und machen die Türverschlüsse (sofern vorhanden) unbrauchbar, damit Kinder nicht in Gefahr gebracht werden.

Aufstellung und Installation

 Falls die Tür des Raumes, in dem der Kühlschrank aufgestellt werden soll, nicht breit genug ist, wenden Sie sich an den autorisierten Kundendienst, lassen die Kühlschranktüren demontieren und befördern das Gerät seitlich durch die Tür.

1. Stellen Sie Ihren Kühlschrank an einer gut erreichbaren Stelle auf.

2. Platzieren Sie den Kühlschrank nicht in der Nähe von Wärmequellen oder dort, wo er Feuchtigkeit oder direktem Sonnenlicht ausgesetzt ist.

3. Damit das Gerät richtig arbeiten kann, müssen Sie ausreichend Platz um das Gerät herum freilassen, damit eine ordentliche Belüftung gewährleistet ist.

Wenn Sie den Kühlschrank in einer Nische aufstellen, müssen Sie einen Abstand von mindestens 5 cm zur Decke und 5 cm zu den Wänden einhalten.

Wenn Sie das Gerät auf einem Teppich oder Teppichboden aufstellen, müssen Sie einen Abstand von mindestens 2,5 cm zum Boden einhalten.

4. Stellen Sie Ihren Kühlschrank auf einem ebenen Untergrund auf, damit er nicht wackelt.

5. Stellen Sie den Kühlschrank nicht an Stellen auf, an denen Temperaturen von weniger als 10 °C herrschen.

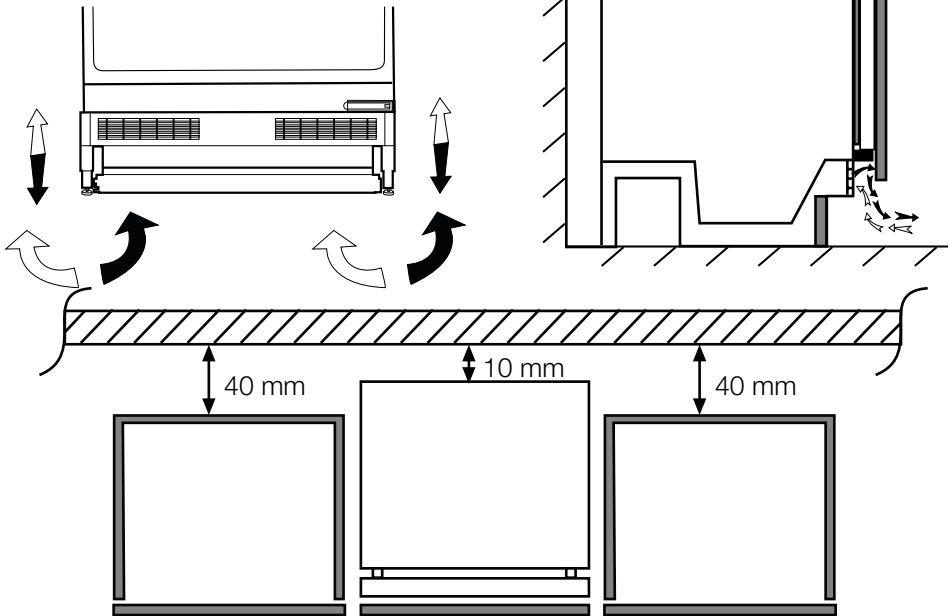
Kühlschrank unter einer Arbeitsplatte installieren, FüÙe einstellen

Achten Sie bei der Aufstellung Ihres Kühlschranks auf einen Mindestabstand von 10 cm zwischen Gerät und Wand; siehe Abbildung.

Die Belüftungsöffnungen dürfen nicht blockiert werden; andernfalls kann es vorkommen, dass Ihr Kühlgerät mit verminderter Leistung arbeitet. (140 cm²)

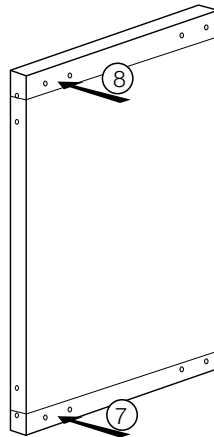
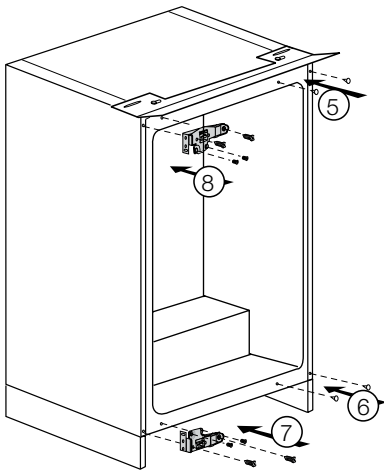
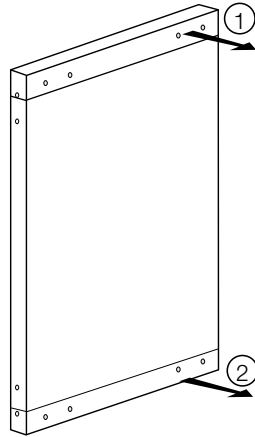
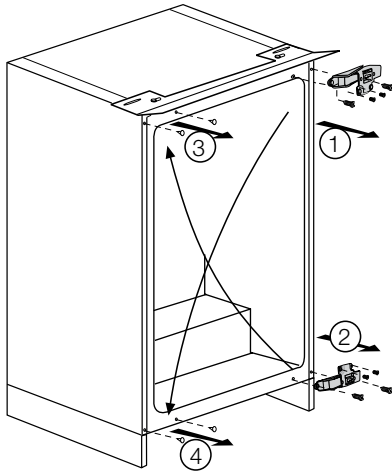
Wenn Ihr Kühlschrank nicht absolut gerade steht:

Zum Ausbalancieren Ihres Kühlschranks können Sie die VorderfüÙe durch Drehen verstellen; siehe Abbildung. Wenn Sie den Fuß in Richtung des schwarzen Pfeils drehen, senkt sich die entsprechende Ecke. Wenn Sie in Gegenrichtung drehen, wird die Ecke angehoben. Sie können sich die Einstellung erleichtern, wenn Sie einen Helfer bitten, das Gerät dabei etwas anzuheben.



Türanschlag umkehren

Gehen Sie der Reihe nach vor.



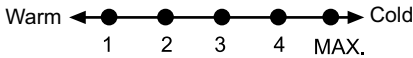
4 Vorbereitung

- i** Ihr Kühlschrank sollte mindestens 30 cm von Hitzequellen wie Kochstellen, Öfen, Heizungen, Herden und ähnlichen Einrichtungen aufgestellt werden. Halten Sie mindestens 5 cm Abstand zu Elektroöfen ein, vermeiden Sie die Aufstellung im direkten Sonnenlicht.
- i** Die Zimmertemperatur des Raumes, in dem der Kühlschrank aufgestellt wird, sollte mindestens 10 °C betragen. Im Hinblick auf den Wirkungsgrad ist der Betrieb des Kühlschranks bei geringerer Umgebungstemperatur nicht ratsam.
- i** Sorgen Sie dafür, dass das Innere Ihres Kühlschranks gründlich gereinigt wird.
- i** Falls zwei Kühlschränke nebeneinander aufgestellt werden sollen, achten Sie darauf, dass sie mindestens 2 cm voneinander entfernt platziert werden.
- i** Wenn Sie den Kühlschrank zum ersten Mal in Betrieb nehmen, halten Sie sich bitte an die folgenden Anweisungen für die ersten sechs Betriebsstunden.
 - Die Kühlschranktür sollte nicht zu häufig geöffnet werden.
 - Der Kühlschrank muss zunächst vollständig leer arbeiten.
 - Ziehen Sie nicht den Netzstecker. Falls der Strom ausfallen sollte, beachten Sie die Warnhinweise im Abschnitt „Empfehlungen zur Problemlösung“.
- i** Originalverpackung und Schaumstoffmaterialien sollten zum zukünftigen Transport des Gerätes aufbewahrt werden.

5 Nutzung des Kühlschranks

Einstellen der Betriebstemperatur

Die Betriebstemperatur wird über die Temperatursteuerung reguliert.



Bitte wählen Sie die der gewünschten Temperatur entsprechende Einstellung.

Die Innentemperatur hängt auch von der Umgebungstemperatur ab, außerdem davon, wie oft die Tür geöffnet wird und wie viel Lebensmittel im Inneren gelagert werden.

Beim häufigen Öffnen der Tür steigt die Innentemperatur an.


Aus diesem Grund empfehlen wir, die Tür möglichst schnell wieder zu schließen.

Zum Lagern von Lebensmitteln sollte die Innentemperatur des Gerätes -18°C betragen. Sie können noch tiefere Temperaturen erreichen, indem Sie den Thermostatkopf zur Position 4 hin (oder auf Max.) drehen.

Wir empfehlen, die Temperatur mit einem Thermometer zu überprüfen – so können Sie sicher sein, dass in den Ablagen die gewünschte Temperatur herrscht. Denken Sie daran, das Thermometer sofort abzulesen, da die angezeigte Temperatur sehr schnell ansteigt, sobald Sie das Thermometer aus dem Kühlgerät nehmen.

Gefrieren

Einfrieren von Lebensmitteln

Der Gefrierbereich ist mit dem Symbol  gekennzeichnet.

In Ihrem Gerät können Sie frische Nahrungsmittel einfrieren und auch bereits gefrorene Lebensmittel lagern.

Bitte beachten Sie dazu die Empfehlungen auf der Verpackung der Lebensmittel.

Achtung

Frieren Sie keine kohlenensäurehaltigen Getränke ein: Die Flaschen können beim Einfrieren platzen.

Gehen Sie umsichtig mit gefrorenen Produkten wie farbigen Eiswürfeln um.

Überschreiten Sie die Tiefkühlkapazität ihres Geräts innerhalb von 24 Stunden nicht. Beachten Sie das Typenschild.

Um eine hohe Qualität der Lebensmittel zu bewahren, müssen Nahrungsmittel so schnell wie möglich eingefroren werden.

Dadurch sollte die Gefrierkapazität nicht überschritten werden und die Innentemperatur des Kühlgerätes nicht ansteigen.

Achtung

Trennen Sie bereits gefrorene Lebensmittel grundsätzlich von Nahrungsmitteln, die gerade erst in des Kühlgerät gegeben wurden.

Beim Einfrieren heißer Speisen arbeitet der Kompressor so lange, bis die Lebensmittel komplett gefroren sind. Dies kann vorübergehend zu einer stärkeren Abkühlung des Kühlbereiches führen.

Machen Sie sich keine Sorgen, wenn sich die Kühlschranktür kurz nach dem Schließen nur mit Mühe öffnen lassen sollte. Dies liegt daran, dass sich die Druckunterschiede zwischen Innenraum und Umgebung erst einmal ausgleichen müssen. Nach ein paar Minuten lässt sich die Tür ganz normal öffnen.

Nach dem Schließen der Tür hören Sie ein Vakuumgeräusch. Dies ist völlig normal.

- Allgemein kann Tiefkühlkost bei Temperaturen unter -18 °C bis 3 Monate lang gelagert werden. Die Lagerungszeiten können je nach Lebensmitteltyp variieren. Die vom Hersteller angegebenen zulässigen Lagerzeiten und Mindesthaltbarkeitsdaten finden Sie auf der Verpackung der jeweiligen Lebensmittel.
- Tiefgekühlte Lebensmittel sollten in das Gefriergerät gegeben werden, bevor sie antauen können.
- Tiefkühlkost kann in den Tiefkühlfachschubladen gelagert werden.

Um besonders gute Ergebnisse zu erzielen und zu erhalten, sollten Sie Folgendes berücksichtigen:

1. Geben Sie Lebensmittel so schnell wie möglich nach dem Kauf in den Tiefkühlbereich.

2. Achten Sie darauf, dass das Mindesthaltbarkeitsdatum auf der Verpackung nicht überschritten wird.

3. Bitte beachten Sie, dass sich Schubladen, Körbe, Klappen und Ablagen allesamt entfernen lassen.

Abtauen

Bei Eisbildung auf dem Verdunster Ihres Kühlschranks sinkt die Kühlleistung. Je dicker die Eisschicht, desto schlechter die Kühlung.

Daher müssen Sie das Eis spätestens dann abtauen, wenn die Eisschicht auf dem Verdunster eine Dicke von 5 mm erreicht. Wir empfehlen, das Eis bei kaum gefülltem, am besten bei vollständig leerem Kühlschrank abzutauen.

Wickeln Sie die Lebensmittel aus dem Kühlschrank in mehrere Lagen Papier ein und lagern Sie sie an einem möglichst kühlen Ort oder in einem anderen Kühlgerät.

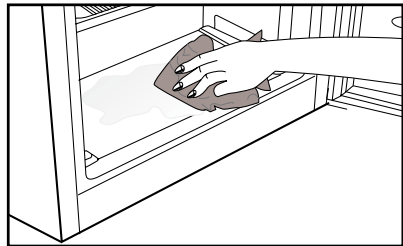
Zum Abtauen schalten Sie das Thermostat aus oder ziehen den Netzstecker aus der Steckdose.

Nehmen Sie die Schubladen aus dem Kühlgerät heraus (Deckel müssen dabei nicht abgenommen werden). Mit der Zeit schmilzt das Eis und sammelt sich als Tauwasser am Boden des Kühlgerätes.

Entfernen Sie das Wasser mit einem weichen Schwamm oder etwas Ähnlichem, trocknen Sie den Innenraum gründlich.

Vergessen Sie nicht, das Thermostat wieder auf den gewünschten Wert zurückzustellen, wenn Sie das Kühlgerät wieder in Betrieb nehmen.

Lassen Sie das Kühlgerät bei geschlossenen Türen 2 Stunden lang leer arbeiten, bevor Sie die Lebensmittel wieder in das Gerät geben.



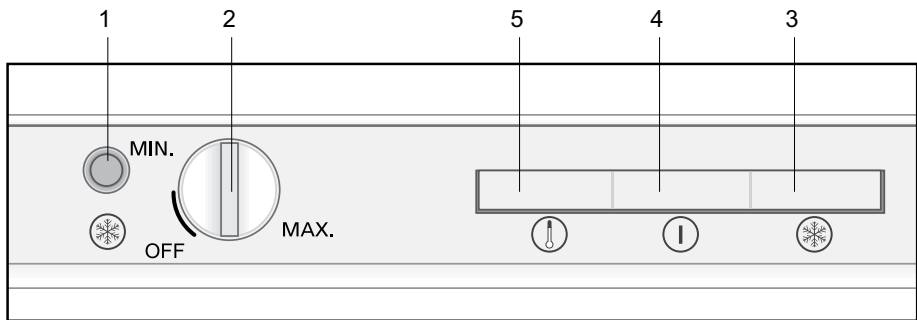
Gerät stoppen

Bei Thermostaten mit 0-Position:

- Ihr Gerät stoppt, wenn Sie den Thermostatkopf in die 0-Position drehen. Das Gerät läuft erst dann wieder an, wenn Sie den Thermostatkopf wieder auf 1 oder eine höhere Position einstellen.

Bei Thermostaten mit „min“-Position:

- Bitte ziehen Sie zum Abschalten den Netzstecker.



LED-Anzeigen und Bedienfeld

Die LED-Anzeigen an der Vorderseite Ihres Kühlschranks helfen Ihnen, den Betriebszustand Ihres Gerätes zu überwachen.

Sie können Ihre Lebensmittel auf sichere Weise im Kühlschrank aufbewahren, indem Sie diesen LEDs etwas Beachtung schenken und die Anzeigen und Bedienelemente wie nachstehend erklärt verwenden:

Schnellgefriertaste (1): Zum schnellen Einfrieren von Lebensmitteln. Nach dem Betätigen dieser Taste springt der Kompressor sofort oder nach einer Weile an; dies ist völlig normal.

Thermostateinstelltaste (2): Zum Einstellen der minimalen und maximalen Kühlungsleistung Ihres Kühlschranks.

Das Gerät lässt sich abschalten, wenn der Knopf über die MIN-Position hinweg gedreht wird. Das Gerät ist abgeschaltet, wenn die grüne Anzeigeleuchte erlischt.

Wurde das Gerät (auch zum Abtauen) aus Versehen abgeschaltet, stellen Sie den Knopf wieder auf eine Position überhalb MIN ein, damit das Gerät in jedem Fall eingeschaltet ist. Bei eingeschaltetem Gerät leuchtet die grüne Anzeigeleuchte.

Orange LED (3): Leuchtet auf, wenn die Schnellgefriertaste am LED-Feld gedrückt wurde. In diesem Fall arbeitet Ihr Kühlschrank ohne Unterbrechung.

Wenn Ihr Gefriergut die gewünschte Temperatur erreicht hat, drücken Sie diese Taste erneut: Die orange LED erlischt.

Grüne LED (4): Leuchtet ständig, solange der Kühlschrank mit Strom versorgt wird.

Rote LED (5): Diese LED leuchtet ständig, wenn Sie Ihren Kühlschrank in Betrieb nehmen, falls die Kühlungsleistung nicht ausreicht, wenn die Tür über längere Zeit offen steht oder wenn zu viele Lebensmittel in das Gerät gegeben werden.

Falls die rote LED unter anderen als den angegebenen Bedingungen dauerhaft leuchten sollte, wenden Sie sich bitte an den autorisierten Kundendienst.

6 **Wartung und Reinigung**

⚠ Verwenden Sie zu Reinigungszwecken niemals Benzin oder ähnliche Substanzen.

⚠ Wir empfehlen, vor dem Reinigen den Netzstecker zu ziehen.

⚠ Verwenden Sie zur Reinigung niemals scharfe Gegenstände, Seife, Haushaltsreiniger, Waschmittel oder Wachspolituren.

ⓘ Reinigen Sie das Gehäuse des Gerätes mit lauwarmem Wasser, wischen Sie die Flächen danach trocken.

ⓘ Zur Reinigung des Innenraums verwenden Sie ein feuchtes Tuch, das Sie in eine Lösung aus 1 Teelöffel Natron und einem halben Liter Wasser getaucht und ausgewrungen haben. Nach dem Reinigen wischen Sie den Innenraum trocken.

⚠ Achten Sie darauf, dass kein Wasser in das Lampengehäuse oder andere elektrische Komponenten eindringt.

⚠ Wenn Ihr Kühlgerät längere Zeit nicht benutzt wird, ziehen Sie den Netzstecker, nehmen alle Lebensmittel heraus, reinigen das Gerät und lassen die Türe geöffnet.

ⓘ Kontrollieren Sie die Türdichtungen regelmäßig, um sicherzustellen, dass diese sauber und frei von Speiseresten sind.

⚠ Zum Entfernen einer Türablage räumen Sie sämtliche Gegenständen aus der Ablage und schieben diese dann nach oben heraus.

Schutz der Kunststoffflächen

ⓘ Geben Sie keine Öle oder stark fetthaltige Speisen offen in Ihren Kühlschrank – dadurch können die Kunststoffflächen angegriffen werden. Sollten die Kunststoffoberflächen einmal mit Öl in Berührung kommen, so reinigen Sie die entsprechenden Stellen umgehend mit warmem Wasser.

7 Empfehlungen zur Problemlösung

Bitte arbeiten Sie diese Liste durch, bevor Sie den Kundendienst anrufen. Das kann Ihnen Zeit und Geld sparen. In der Liste finden Sie häufiger auftretende Probleme, die nicht auf Verarbeitungs- oder Materialfehler zurückzuführen sind. Nicht alle hier beschriebenen Funktionen sind bei jedem Modell verfügbar.

Der Kühlschrank arbeitet nicht.

- Ist der Kühlschrank richtig angeschlossen? Stecken Sie den Netzstecker in die Steckdose.
- Ist die entsprechende Haussicherung herausgesprungen oder durchgebrannt? Überprüfen Sie die Sicherung.

Kondensation an den Seitenwänden des Kühlbereiches. (Multizone, Kühlkontrolle und FlexiZone)

- Sehr geringe Umgebungstemperaturen. Häufiges Öffnen und Schließen der Tür. Sehr feuchte Umgebung. Offene Lagerung von feuchten Lebensmitteln. Tür nicht richtig geschlossen. Kühlere Thermostateinstellung wählen.
- Türen kürzer geöffnet halten oder seltener öffnen.
- Offene Behälter abdecken oder mit einem geeigneten Material einwickeln.
- Kondensation mit einem trockenen Tuch entfernen und überprüfen, ob diese erneut auftritt.

Der Kompressor läuft nicht

- Eine Schutzschaltung stoppt den Kompressor bei kurzzeitigen Unterbrechungen der Stromversorgung und wenn das Gerät zu oft und schnell ein- und ausgeschaltet wird, da der Druck des Kühlmittels eine Weile lang ausgeglichen werden muss. Ihr Kühlschrank beginnt nach etwa sechs Minuten wieder zu arbeiten. Bitte wenden Sie sich an den Kundendienst, falls Ihr Kühlschrank nach Ablauf dieser Zeit nicht wieder zu arbeiten beginnt.
- Der Kühlschrank taut ab. Dies ist bei einem vollautomatisch abtauenden Kühlschrank völlig normal. Das Gerät taut von Zeit zu Zeit ab.
- Der Netzstecker ist nicht eingesteckt. Überprüfen Sie, ob das Gerät richtig angeschlossen ist.
- Stimmen die Temperatureinstellungen?
- Eventuell ist der Strom ausgefallen.

Der Kühlschrank arbeitet sehr intensiv oder über eine sehr lange Zeit.

- Ihr neues Gerät ist vielleicht etwas breiter als sein Vorgänger. Dies ist völlig normal. Große Kühlgeräte arbeiten oft längere Zeit.
- Die Umgebungstemperatur ist eventuell sehr hoch. Dies ist völlig normal.
- Das Kühlgerät wurde möglicherweise erst vor kurzem in Betrieb genommen oder mit Lebensmitteln gefüllt. Es kann einige Stunden länger dauern, bis der Kühlschrank seine Arbeitstemperatur erreicht hat.
- Kurz zuvor wurden größere Mengen warmer Speisen im Kühlschrank eingelagert. Heiße Speisen führen dazu, dass der Kühlschrank etwas länger arbeiten muss, bis die geeignete Temperatur zur sicheren Lagerung erreicht ist.
- Türen wurden häufig geöffnet oder längere Zeit nicht richtig geschlossen. Der Kühlschrank muss länger arbeiten, weil warme Luft in den Innenraum eingedrungen ist. Öffnen Sie die Türen möglichst selten.
- Die Tür des Kühl- oder Tiefkühlbereichs war nur angelehnt. Vergewissern Sie sich, dass die Türen richtig geschlossen wurden.
- Die Kühlschranktemperatur ist sehr niedrig eingestellt. Stellen Sie die Kühlschranktemperatur höher ein und warten Sie, bis die gewünschte Temperatur erreicht ist.
- Die Türdichtungen von Kühl- oder Gefrierbereich sind verschmutzt, verschlissen, beschädigt oder sitzen nicht richtig. Reinigen oder ersetzen Sie die Dichtung. Beschädigte oder defekte Dichtungen führen dazu, dass der Kühlschrank länger arbeiten muss, um die Temperatur halten zu können.

Die Temperatur im Tiefkühlbereich ist sehr niedrig, während die Temperatur im Kühlbereich normal ist.

- Die Tiefkühltemperatur ist sehr niedrig eingestellt. Stellen Sie die Gefrierfachtemperatur wärmer ein und prüfen Sie.

Die Temperatur im Kühlbereich ist sehr niedrig, während die Temperatur im Tiefkühlbereich normal ist.

- Die Kühltemperatur ist eventuell sehr niedrig eingestellt. Stellen Sie die Kühlbereichtemperatur wärmer ein und prüfen Sie.

Im Kühlbereich gelagerte Lebensmittel frieren ein.

- Die Kühltemperatur ist eventuell sehr niedrig eingestellt. Stellen Sie die Kühlbereichtemperatur wärmer ein und prüfen Sie.

Die Temperatur im Kühl- oder Tiefkühlbereich ist sehr hoch.
<ul style="list-style-type: none"> • Die Temperatur des Kühlbereichs ist eventuell sehr hoch eingestellt. Die Einstellung des Kühlbereichs beeinflusst die Temperatur im Tiefkühlbereich. Stellen Sie den Kühl- oder Tiefkühlbereich auf die gewünschte Temperatur ein. • Türen wurden häufig geöffnet oder längere Zeit nicht richtig geschlossen; weniger häufig öffnen. • Die Tür wurde eventuell nicht richtig geschlossen; Tür richtig schließen. • Kurz zuvor wurden größere Mengen warmer Speisen im Kühlschrank eingelagert. Warten Sie, bis der Kühl- oder Tiefkühlbereich die gewünschte Temperatur erreicht. • Der Kühlschrank war kurz zuvor von der Stromversorgung getrennt. Ihr Kühlschrank braucht einige Zeit, um sich auf die gewünschte Temperatur abzukühlen.
Das Betriebsgeräusch nimmt zu, wenn der Kühlschrank arbeitet.
<ul style="list-style-type: none"> • Das Leistungsverhalten des Kühlgerätes kann sich je nach Umgebungstemperatur ändern. Dies ist völlig normal und keine Fehlfunktion.
Vibrationen oder Betriebsgeräusche.
<ul style="list-style-type: none"> • Der Boden ist nicht eben oder nicht fest. Der Kühlschrank wackelt, wenn er etwas bewegt wird. Achten Sie darauf, dass der Boden eben ist und das Gewicht des Kühlschranks problemlos tragen kann. • Das Geräusch kann durch auf dem Kühlschrank abgestellte Gegenstände entstehen. Nehmen Sie abgestellte Gegenstände vom Kühlschrank herunter.
Fließ- oder Spritzgeräusche sind zu hören.
<ul style="list-style-type: none"> • Aus technischen Gründen bewegen sich Flüssigkeiten und Gase innerhalb des Gerätes. Dies ist völlig normal und keine Fehlfunktion.
Windähnliche Geräusche sind zu hören.
<ul style="list-style-type: none"> • Zum gleichmäßigen Kühlen werden Ventilatoren eingesetzt. Dies ist völlig normal und keine Fehlfunktion.
Kondensation an den Kühlschrankinnenflächen.
<ul style="list-style-type: none"> • Bei heißen und feuchten Wetterlagen tritt verstärkt Eisbildung und Kondensation auf. Dies ist völlig normal und keine Fehlfunktion. • Die Türen wurden eventuell nicht richtig geschlossen; Türen komplett schließen. • Türen wurden häufig geöffnet oder längere Zeit nicht richtig geschlossen; weniger häufig öffnen.
Feuchtigkeit sammelt sich an der Außenseite des Kühlschranks oder an den Türen.
<ul style="list-style-type: none"> • Eventuell herrscht hohe Luftfeuchtigkeit; dies ist je nach Wetterlage völlig normal. Die Kondensation verschwindet, sobald die Feuchtigkeit abnimmt.

Unangenehmer Geruch im Kühlschrankinnenraum.

- Das Innere des Kühlschranks muss gereinigt werden. Reinigen Sie das Innere des Kühlschranks mit einem Schwamm, den Sie mit lauwarmem oder kohlendioxidhaltigem Wasser angefeuchtet haben.
- Bestimmte Behälter oder Verpackungsmaterialien verursachen den Geruch. Verwenden Sie andere Behälter oder Verpackungsmaterial einer anderen Marke.

Die Tür wurde nicht richtig geschlossen.

- Lebensmittelpackungen verhindern eventuell das Schließen der Tür. Entfernen Sie die Verpackungen, welche die Tür blockieren.
- Der Kühlschrank steht nicht mit sämtlichen Füßen fest auf dem Boden und schaukelt bei kleinen Bewegungen. Stellen Sie die Höheneinstellschrauben ein.
- Der Boden ist nicht eben oder nicht stabil genug. Achten Sie darauf, dass der Boden eben ist und das Gewicht des Kühlschranks problemlos tragen kann.

Das Gemüsefach klemmt.

- Die Lebensmittel berühren eventuell den oberen Teil der Schublade. Ordnen Sie die Lebensmittel in der Schublade anders an.

Veillez d'abord lire la notice d'utilisation !

Chère cliente, cher client,

Nous espérons que votre produit, qui a été fabriqué dans des usines modernes et vérifié au terme des procédures de contrôle de qualité les plus méticuleuses, vous aidera efficacement.




Pour cette raison, nous vous conseillons de lire attentivement tout le manuel d'utilisation de votre produit avant de vous en servir, et de le conserver ensuite pour une utilisation ultérieure.

Le présent manuel

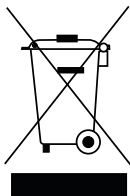
- Vous aidera à utiliser votre produit avec rapidité et sécurité.
 - Lisez le manuel avant d'installer et de faire fonctionner votre produit.
 - Respectez les instructions, notamment celles relatives à la sécurité.
 - Conservez ce manuel dans un endroit facilement accessible car vous pouvez en avoir besoin ultérieurement.
 - En plus, lisez également les autres documents fournis avec votre produit.
- Veillez noter que ce manuel peut également être valide pour d'autres modèles.

Symboles et descriptions

Vous retrouverez les symboles suivants dans le présent manuel :

-  Informations importantes ou astuces.
-  Avertissement relatif aux conditions dangereuses pour la vie et la propriété.
-  Avertissement relatif à la tension électrique.

Recyclage

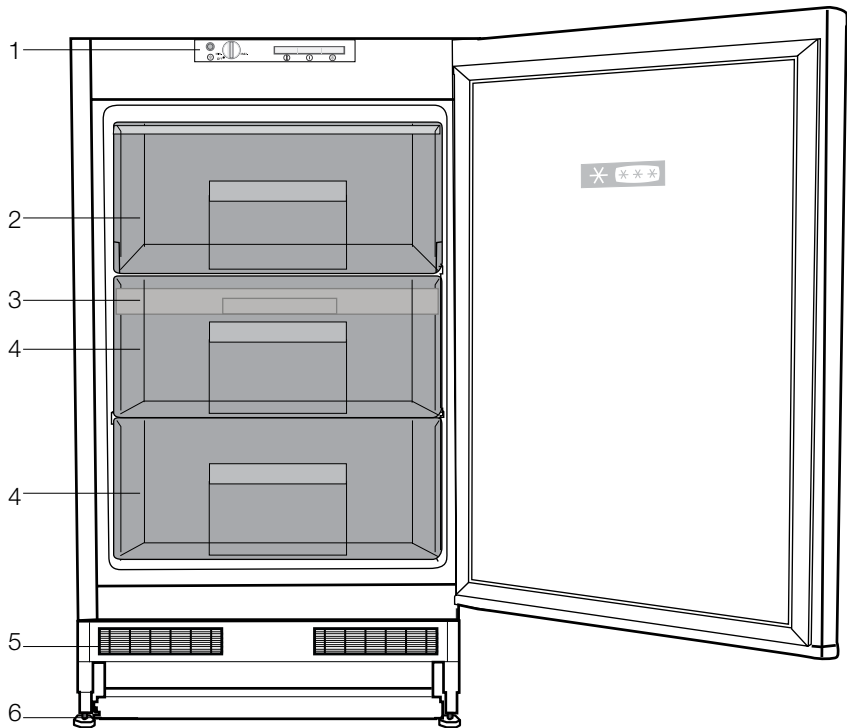


Ce produit est marqué du symbole du tri sélectif, relatif aux déchets d'équipements électriques et électroniques. Cela signifie que ce produit doit être pris en charge par un système de collecte sélectif conformément à la directive européenne 2002/96/CE, afin de pouvoir être recyclé ou démantelé dans le but de réduire tout impact sur l'environnement. Attention les produits électroniques n'ayant pas fait l'objet d'un tri sélectif sont potentiellement dangereux pour l'environnement et la santé humaine en raison de la présence potentielle de substances dangereuses.

TABLE DES MATIÈRES

1	1	3	4	12
2	3	4	5	13
Utilisation prévue	4	Réglage de la température de fonctionnement	13	
Sécurité générale.....	4	Congélation	13	
Sécurité enfants.....	6	Interruption du produit	14	
Avertissement HCA	7	Décongélation	14	
Mesures d'économie d'énergie.....	7	Voyants DEL et bandeau de commande	15	
3	8	6	16	
Points à prendre en compte lorsque vous transportez à nouveau votre produit.	8	Protection des surfaces en plastique. ...	16	
Avant de faire fonctionner votre réfrigérateur	8	7	17	
Mise au rebut de l'emballage	9	Solutions recommandées aux problèmes		
Mise au rebut de votre ancien réfrigérateur	9	48 9585 0000.....	21	
Disposition et Installation	9	48 9585 0000.....	22	
Installation du réfrigérateur sous le plan de travail et réglage des pieds	10			
Réversibilité des portes.....	11			

1 Votre réfrigérateur



- 1- Bandeau de commande
- 2- Compartiment congélation rapide
- 3- Bac à glaçons
- 4- Compartiment congélateur
- 5- Plinthe
- 6- Pieds réglables

Les illustrations présentées dans cette notice d'utilisation sont schématiques et peuvent ne pas correspondre exactement à votre produit. Si des pièces présentées ne sont pas comprises dans le produit que vous avez acheté, elles sont valables pour d'autres modèles.

2 Précautions de sécurité importantes

Veillez examiner les informations suivantes: Si elles ne sont pas respectées, des blessures personnelles ou un dommage matériel peut survenir. Sinon, tout engagement lié à la garantie et à la fiabilité du produit devient invalide.

La durée de vie du produit que vous avez acheté est de 10 ans. Il s'agit ici de la période au cours de laquelle vous devez conserver les pièces de rechange nécessaires à son fonctionnement.

Utilisation prévue

- Cet appareil est conçu pour un usage domestique et des utilisations similaires comme
 - les cuisines du personnel dans les boutiques, les bureaux et autres environnements de travail;
 - les fermes et pour une utilisation par les clients dans les hôtels, motels et autres types d'environnement résidentiel;
 - les environnements de type bed and breakfast
 - le catering et les usages similaires non destinés à la vente
- Il ne doit en conséquence pas être utilisé à l'extérieur. Il n'est pas approprié à un usage en extérieurs, même si l'endroit est abrité par un auvent.
- Ne mangez pas de cônes de crème glacée ou des glaçons immédiatement après les avoir sortis du compartiment de congélation. (Cela pourrait provoquer des gelures dans votre bouche).
- Ne placez pas de boissons en bouteilles ou en cannettes dans le congélateur. Cela peut entraîner leur éclatement.
- Ne touchez pas des produits congelés avec les mains, ils pourraient se coller à celles-ci.
- La vapeur et des matériaux de nettoyage pulvérisés ne doivent jamais être utilisés pour les processus de nettoyage ou de dégivrage de votre réfrigérateur. La vapeur pourrait pénétrer dans les pièces électriques et provoquer des courts-circuits ou des électrocutions.
- Ne jamais utiliser les pièces de votre réfrigérateur telles que la porte, comme un support ou une marche.
- N'utilisez pas d'appareils électriques à l'intérieur du réfrigérateur.
- N'endommagez pas le circuit de refroidissement où circule le liquide réfrigérant avec des outils de forage ou coupants. Le liquide réfrigérant qui pourrait s'échapper si les canalisations de gaz de l'évaporateur, les rallonges de tuyau ou les revêtements de surface étaient percés, peut irriter la peau et provoquer des blessures aux yeux.

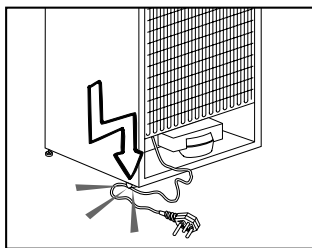
Sécurité générale

- Avant de vous débarrasser de votre appareil, veuillez consulter les autorités locales ou votre revendeur pour connaître le mode opératoire et les organismes agréés de collecte.
- Consultez le service après-vente agréé concernant toutes questions ou problèmes relatifs au réfrigérateur. N'intervenez pas ou ne laissez personne intervenir sur le réfrigérateur sans le communiquer au service après-vente agréé.
- Ne pas couvrir ou obstruer les orifices de ventilation du réfrigérateur.
- Les réparations de l'appareillage électrique doivent être réalisées par des techniciens qualifiés. Les réparations réalisées par des personnes ne présentant pas les compétences requises peuvent présenter un risque pour l'utilisateur.
- En cas de dysfonctionnement ou lors d'opérations d'entretien ou de réparation, débranchez l'alimentation électrique du réfrigérateur soit en désactivant le fusible correspondant, soit en débranchant

l'appareil.

- Ne tirez pas sur le câble lorsque vous débranchez la prise.
- Placez les boissons alcoolisées verticalement, dans des récipients convenablement fermés.
- Ne conservez pas de substances explosives comme des aérosols avec un liquide inflammable dans cet appareil.
- N'utilisez pas d'outils mécaniques ou autres dispositifs pour accélérer le processus de décongélation autres que ceux qui sont recommandés par le fabricant.
- L'utilisation de cet appareil est interdite aux personnes (enfants compris) souffrant de déficience physique, sensorielle, mentale, ou justifiant d'un manque d'expérience à moins d'avoir obtenu une autorisation auprès des personnes responsables de leur sécurité.
- Ne faites pas fonctionner un réfrigérateur endommagé. Consultez le service après-vente en cas de doutes.
- La sécurité électrique du réfrigérateur n'est assurée que si le système de mise à la terre de votre domicile est conforme aux normes en vigueur.
- L'exposition du produit à la pluie, la neige, au soleil ou au vent présente des risques concernant la sécurité électrique.
- Contactez le service après-vente agréé lorsque le câble d'alimentation est endommagé afin d'éviter tout danger.
- Ne branchez jamais le réfrigérateur à la prise murale au cours de l'installation. Vous vous exposeriez à un risque de mort ou à de blessures graves.
- Ce réfrigérateur a été fabriqué uniquement dans le but de conserver les denrées. Par conséquent, il ne doit pas être utilisé à d'autres fins.
- L'étiquette qui décrit les spécifications techniques du produit se trouve sur la partie intérieure gauche du réfrigérateur.

- Évitez d'accrocher le réfrigérateur aux systèmes d'économie d'énergie électronique car ils peuvent endommager le produit.
- Si le réfrigérateur est éclairé par une lumière bleue, évitez de regarder cette lumière bleue à travers des appareils optiques.
- Si l'alimentation électrique est coupée dans un réfrigérateur à commande manuelle, veuillez patienter pendant au moins 5 minutes avant de rétablir la connexion électrique.
- Si le propriétaire du réfrigérateur venait à changer, n'oubliez pas de remettre le présent manuel d'utilisation au nouveau bénéficiaire.
- Veillez à ne pas endommager le câble d'alimentation pendant le transport du réfrigérateur. Afin d'éviter tout risque d'incendie, prenez garde de ne pas tordre le câble d'alimentation. Des objets lourds ne doivent pas être posés sur le câble d'alimentation. Pendant le branchement du réfrigérateur, évitez de tenir la prise de courant avec des mains mouillées.



- Évitez de brancher le réfrigérateur lorsque la prise de courant électrique a lâché.
- Pour des raisons d'ordre sécuritaire, évitez tout contact direct de l'eau avec les parties externes et internes du réfrigérateur.
- En raison des risques d'incendie et d'explosion, évitez de vaporiser des matières inflammables comme le gaz

propane à proximité du réfrigérateur.

- Pour éviter tout risque de choc électrique ou d'incendie, évitez de mettre des objets remplis d'eau au-dessus du réfrigérateur.
- Évitez de surcharger le réfrigérateur avec une quantité excessive d'aliments. Le trop-plein d'aliments peut tomber à l'ouverture de la porte, ce qui peut vous blesser ou endommager le réfrigérateur. Évitez de mettre des objets au-dessus du réfrigérateur dans la mesure où ceux-ci peuvent tomber pendant l'ouverture ou la fermeture de la porte du réfrigérateur.
- Les objets nécessitant certaines conditions de conservation comme le vaccin, les médicaments sensibles à la température, les matériels scientifiques, etc., ne doivent pas être conservés dans le réfrigérateur.
- Débranchez le réfrigérateur si vous n'allez pas vous en servir au cours d'une période prolongée. Un problème survenu au niveau de l'isolation du câble électrique peut donner lieu à un incendie.
- Le bout de la fiche électrique doit être nettoyée régulièrement. Dans le cas contraire, il peut provoquer un incendie.
- Le réfrigérateur peut bouger lorsque les pieds réglables ne sont pas positionnés fermement sur le sol. En ajustant les pieds réglables, vous pouvez savoir lorsque le réfrigérateur est positionné fermement sur le sol.
- Si la porte du réfrigérateur est dotée d'une poignée, évitez de tenir cette poignée pendant le transport de l'appareil car celle-ci est susceptible de se détacher du réfrigérateur.
- Si vous êtes tenu de faire fonctionner votre appareil tout près d'un autre réfrigérateur ou d'un congélateur, veuillez prévoir au moins 8 cm d'écart entre les deux appareils. Dans le cas contraire, il peut y avoir condensation au niveau des parois internes situées les unes en face des autres.

- La pression de l'eau ne doit pas être en-dessous d' 1 bar. La pression de l'eau ne doit pas être au-dessus de 8 bars.
- Utilisez uniquement de l'eau potable.

Sécurité enfants

- Si la porte a un verrouillage, la clé doit rester hors de portée des enfants.
- Les enfants doivent être encadrés afin d'éviter tout jeu avec l'appareil.

Avertissement HCA

Si votre appareil est équipé d'un système de refroidissement contenant R600a :

Ce gaz est inflammable. Par conséquent, veuillez prendre garde à ne pas endommager le système de refroidissement et les tuyauteries lors de son utilisation ou de son transport. En cas de dommages, éloignez votre produit de toute source potentielle de flammes susceptible de provoquer l'incendie de l'appareil. De même, placez le produit dans une pièce aérée.

Ignorez l'avertissement si votre appareil est équipé d'un système de refroidissement contenant R134a.

Vous pouvez voir le gaz été utilisé dans la fabrication de votre appareil sur la plaque signalétique qui se trouve dans la partie intérieure gauche du produit.

Ne jamais jeter le produit au feu.

Mesures d'économie d'énergie

- Ne laissez pas les portes du réfrigérateur ouvertes pendant une durée prolongée.
- N'introduisez pas de denrées ou de boissons chaudes dans le réfrigérateur.
- Ne surchargez pas le réfrigérateur pour ne pas obstruer pas la circulation d'air à l'intérieur.
- N'installez pas le réfrigérateur à la lumière directe du soleil ou près d'appareil émettant de la chaleur tels qu'un four, un lave-vaisselle ou un radiateur.
- Veillez à conserver vos denrées dans des

récipients fermés.

- Une quantité maximale de nourriture peut être mise dans le compartiment congélateur de votre réfrigérateur quand l'étagère ou le tiroir du compartiment est enlevé. Le niveau de consommation d'énergie affiché pour votre réfrigérateur a été déterminé quand l'étagère ou le tiroir du compartiment congélateur a été enlevé et que la quantité de nourriture était maximale. L'utilisation d'une étagère ou d'un tiroir en fonction de la taille et de la nature de la nature à congeler ne comporte aucun risque.

3 Installation

⚠ Veuillez noter que le fabricant ne pourra être tenu responsable si les informations fournies dans cette notice d'utilisation ne sont pas respectées.

Points à prendre en compte lorsque vous transportez à nouveau votre produit.

1. Le réfrigérateur doit être vidé et nettoyé avant tout transport.
2. Les clayettes, accessoires, bac à légumes, etc. de votre réfrigérateur doivent être fixés solidement avec de la bande adhésive avant de remballer l'appareil, pour le protéger en cas de chocs.
3. L'emballage doit être fixé avec une bande adhésive forte et des cordes solides, et les normes de transport indiquées sur l'emballage doivent être appliquées.

Gardez à l'esprit les points suivants...

Chaque matériau recyclé est une participation indispensable à la préservation de la nature et conservation de nos ressources nationales.

Si vous souhaitez contribuer à recycler les matériaux d'emballage, vous pouvez obtenir des informations supplémentaires auprès des organismes environnementaux ou des autorités locales.

Avant de faire fonctionner votre réfrigérateur

Avant de commencer à faire fonctionner votre réfrigérateur, vérifiez les points suivants :

1. L'intérieur du réfrigérateur est sec et l'air peut circuler librement à l'arrière?
2. Nettoyez l'intérieur du réfrigérateur tel qu'indiqué dans la section « Entretien et nettoyage ».
3. Branchez le réfrigérateur dans la prise murale. Lorsque la porte du réfrigérateur est ouverte, l'éclairage intérieur s'allumera.
4. Vous remarquerez un bruit lorsque le compresseur se met en marche. Le liquide et les gaz intégrés au système du réfrigérateur peuvent également faire du bruit, que le compresseur soit en marche ou non. Ceci est tout à fait normal.
5. Les parties antérieures du réfrigérateur peuvent chauffer. Ce phénomène est normal. Ces zones doivent en principe être chaudes pour éviter tout risque de condensation.

Branchement électrique

Branchez votre réfrigérateur à une prise de mise à la terre protégée par un fusible ayant une capacité appropriée.

Important:

- Le branchement doit être conforme aux normes en vigueur sur le territoire national.
- La fiche de câble d'alimentation doit être facilement accessible après installation.
- La tension spécifiée doit être égale à votre tension de secteur.
- Les rallonges et prises multivoies ne doivent pas être utilisés pour brancher l'appareil.

⚠ Un câble d'alimentation endommagé doit être remplacé par un électricien qualifié.

⚠ L'appareil ne doit pas être mis en service avant d'être réparé ! Un risque de choc électrique existe!

Mise au rebut de l'emballage

Les matériaux d'emballage peuvent être dangereux pour les enfants. Tenez les matériaux d'emballage hors de portée des enfants ou débarrassez-vous-en conformément aux consignes sur les déchets. Ne les jetez pas aux côtés des ordures ménagères ordinaires.

L'emballage de votre appareil est produit à partir des matériaux recyclables.

Mise au rebut de votre ancien réfrigérateur

Débarrassez-vous de votre ancien réfrigérateur sans nuire à l'environnement.

- Vous pouvez consulter le service après-vente agréé ou le centre chargé de la mise au rebut dans votre municipalité pour en savoir plus sur la mise au rebut de votre produit.

Avant de procéder à la mise au rebut de votre machine, coupez la prise électrique et, le cas échéant, tout verrouillage susceptible de se trouver sur la porte. Rendez-les inopérants afin de ne pas exposer les enfants à d'éventuels dangers.

Disposition et Installation

⚠ Si la porte d'entrée de la pièce où sera installé le réfrigérateur n'est pas assez large pour laisser passer le réfrigérateur, appelez alors le service après-vente pour faire retirer les portes du réfrigérateur et le faire passer latéralement.

1. Installez le réfrigérateur dans un emplacement qui permette une utilisation pratique.

2. Maintenez le réfrigérateur éloigné de toutes sources de chaleur, des endroits humides et de la lumière directe du soleil.

3. Une ventilation d'air autour du réfrigérateur doit être aménagée pour obtenir un fonctionnement efficace.

Si le réfrigérateur est placé dans un enfoncement du mur, il doit y avoir un espace d'au moins 5 cm avec le plafond et d'au moins 5 cm avec le mur.

Si le sol est couvert de moquette, votre produit doit être surélevé à 2,5 cm du sol.

4. Placez le réfrigérateur sur un a de surface plane afin d'éviter les à-coups.

5. N'exposez pas le réfrigérateur à des températures ambiantes inférieures à 10°C.

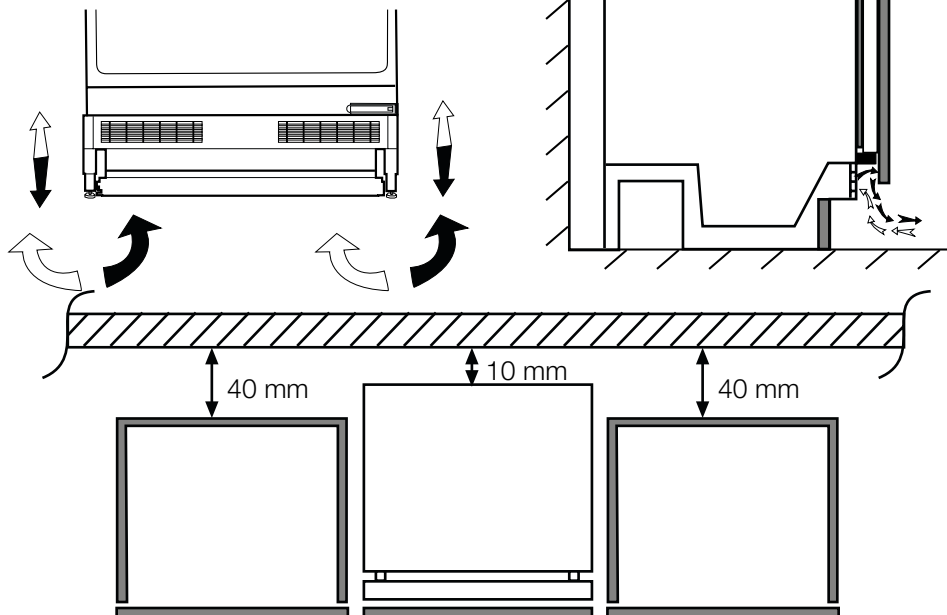
Installation du réfrigérateur sous le plan de travail et réglage des pieds

Lorsque de l'installation de votre réfrigérateur, prévoyez une distance d'au moins 10 cm entre le produit et le mur, tel qu'illustré dans le schéma.

Les canaux d'absorption d'air ne doivent pas être obstrués afin d'éviter une réduction de la performance de votre réfrigérateur. (140 cm²)

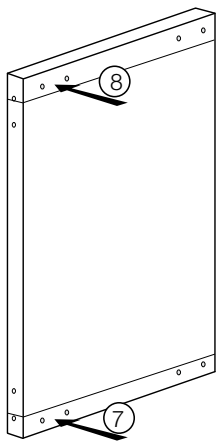
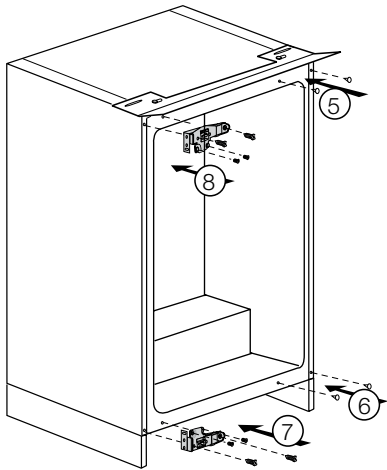
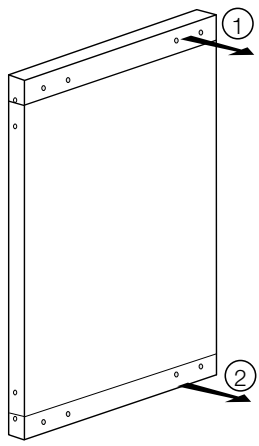
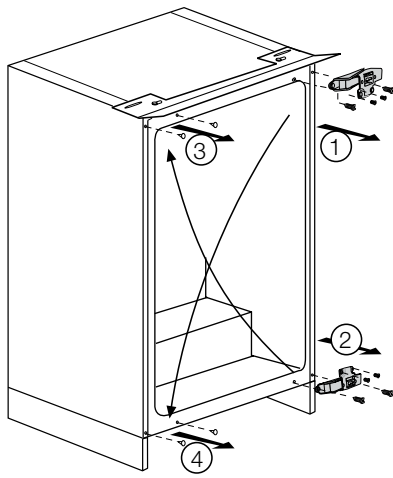
Si le réfrigérateur n'est pas stable.

Vous pouvez tourner les pieds avant de votre réfrigérateur tel qu'illustré dans le schéma, et l'équilibrer. Le côté du pied s'abaisse lorsque vous tournez dans la direction de la flèche noire; et s'élève lorsque vous tournez dans le sens opposé. La tâche sera plus facile pour vous lorsque vous demanderez à quelqu'un de vous aider à soulever quelque peu l'appareil durant ce processus.



Réversibilité des portes

Procédez dans l'ordre numérique



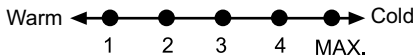
4 Préparation

- i** Votre réfrigérateur doit être installé à au moins 30 cm des sources de chaleur telles que les plaques de cuisson, les fours, appareils de chauffage ou cuisinières, et à au moins 5 cm des fours électriques. De même, il ne doit pas être exposé à la lumière directe du soleil.
- i** La température ambiante de la pièce où vous installez le réfrigérateur doit être d'au moins 10°C. Faire fonctionner l'appareil sous des températures inférieures n'est pas recommandé et pourrait nuire à son efficacité.
- i** Veuillez vous assurer que l'intérieur de votre appareil est soigneusement nettoyé.
- i** Si deux réfrigérateurs sont installés côte à côte, ils doivent être séparés par au moins 2 cm.
- i** Lorsque vous faites fonctionner le réfrigérateur pour la première fois, assurez-vous de suivre les instructions suivantes pendant les six premières heures.
 - La porte ne doit pas être ouverte fréquemment.
 - Le réfrigérateur doit être mis en marche à vide, sans denrées à l'intérieur.
 - Ne débranchez pas le réfrigérateur. Si une panne de courant se produit, veuillez vous reporter aux avertissements dans la section « Solutions recommandées aux problèmes ».
- i** L'emballage et les matériaux de protection d'emballage doivent être conservés pour les éventuels transports ou déplacements à venir.

5 Utilisation du réfrigérateur

Réglage de la température de fonctionnement

La température de fonctionnement est réglée à l'aide de la commande de température.



Veillez choisir le réglage en fonction de la température désirée.

La température intérieure est également fonction de la température ambiante, la fréquence d'ouverture de la porte et la quantité de denrées stockées à l'intérieur.

Si la porte est ouverte fréquemment, la température intérieure monte.

Pour cette raison, il est recommandé de refermer la porte aussitôt que possible après utilisation.

La température normale de stockage de votre appareil doit être de -18 °C (0 °F). Vous pouvez obtenir des températures plus basses en réglant la commande du thermostat vers la Position 4 (ou Max.).

Nous vous conseillons de vérifier la température avec un thermomètre pour s'assurer que les compartiments de conservation sont maintenus à la température souhaitée. Pensez à lire la température sur le thermomètre immédiatement comme elle montera très rapidement après l'avoir sorti du congélateur.

Congélation

Congeler les denrées

Le compartiment de congélation porte le symbole ❄️❄️❄️.

Vous pouvez utiliser cet appareil pour congeler des denrées fraîches ainsi que pour stocker des denrées surgelées.

Veillez vous référer aux recommandations indiquées sur l'emballage de votre aliment.

⚠️ Attention

Ne pas congeler de boissons gazeuses car le liquide congelé peut faire éclater la bouteille.

Soyez prudents avec les produits congelés tels que les glaçons colorés.

Ne dépassez pas le pouvoir de congélation de votre appareil par 24 heures. Se référer à la plaque signalétique.

Afin de préserver la qualité des aliments, la congélation doit être effectuée le plus rapidement possible.

Ainsi, le pouvoir de congélation ne sera pas dépassé et la température à l'intérieur du congélateur ne montera pas.

⚠️ Attention

Conservez toujours les aliments déjà surgelés séparément des denrées qui viennent d'y être placées.

Lorsque vous surgelez un aliment chaud, le compresseur de réfrigération fonctionnera tant que l'aliment n'est pas complètement congelé. Cela peut causer un refroidissement excessif temporaire du compartiment réfrigérateur.

Si vous trouvez que la porte du congélateur est difficile à ouvrir juste après l'avoir fermée, ne vous inquiétez pas. Cela est dû à la différence de pression qui va se régulariser et permettra d'ouvrir la porte normalement au bout de quelques minutes.

Vous entendrez un bruit d'aspiration juste après avoir fermé la porte. Ceci est tout à fait normal.

- En général, les aliments congelés peuvent être conservés pendant 3 mois, dans des températures inférieures à -18°C. Les périodes de conservation peuvent varier selon le type de l'aliment. Les dates d'expiration de telles denrées sont indiquées sur leurs emballages respectifs par leurs fabricants.
- Les aliments congelés que vous avez achetés doivent être introduits dans le congélateur avant leur dégivrage.
- Les denrées congelées peuvent être conservées dans les compartiments avec tiroirs.

Afin de veiller à ce que la qualité supérieure recherchée par le fabricant et le détaillant des produits congelés soit atteinte, il convient de se rappeler les points suivants :

1. Mettre les emballages dans le congélateur aussi rapidement que possible après achat.

2. Ne pas dépasser les dates « à consommer avant le » et « à consommer de préférence avant le » figurant sur l'emballage.

3. Veuillez noter que les tiroirs, paniers, rabats et plateaux sont tous amovibles.

Décongélation

L'augmentation de l'épaisseur de la glace qui se forme autour de l'évaporateur de votre réfrigérateur en réduira l'efficacité de réfrigération.

En conséquence, vous devez décongeler la glace lorsque l'épaisseur de sa couche qui se trouve autour de l'évaporateur atteint environ 5 mm. Il est conseillé d'effectuer cette décongélation lorsque le réfrigérateur n'est pas trop rempli ou lorsque celui-ci est vide.

Emballer l'aliment dans le réfrigérateur à l'aide de quelques feuilles de papier et conservez-le dans l'endroit le plus froid possible ou dans un autre réfrigérateur.

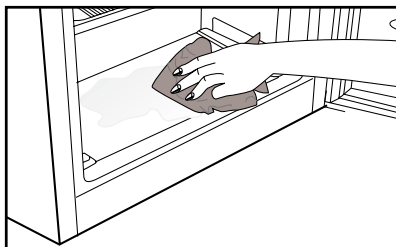
Tournez le bouton de réglage du thermostat à la position « Off » et débranchez le câble d'alimentation pour effectuer le dégivrage.

Retirez les tiroirs de votre réfrigérateur (Vous n'avez pas besoin d'enlever le couvercle du compartiment équipé d'un couvercle). Quelques temps après, l'eau qui fond s'accumulera dans le pool situé au fond de votre réfrigérateur.

Enlevez l'eau qui s'accumule au moyen d'une éponge douce ou de tout autre objet similaire, puis séchez correctement le pool.

N'oubliez pas de tourner le bouton de réglage du thermostat dans une position autre que la position « Off » afin de redémarrer votre réfrigérateur.

Faites fonctionner votre réfrigérateur à vide pendant 2 heures, portes fermées, avant d'y remettre vos denrées.



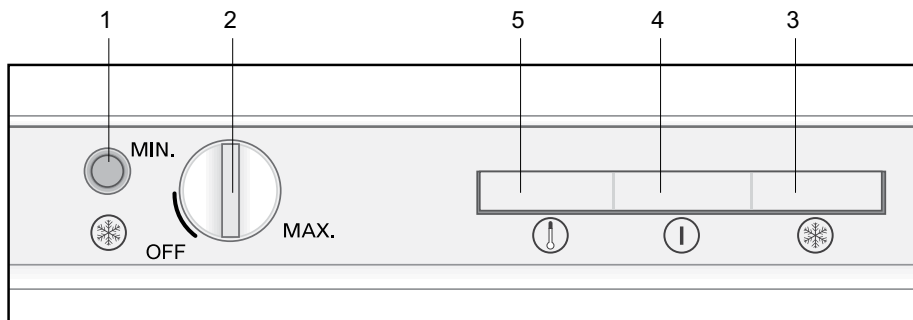
Interruption du produit

Si la position « 0 » se trouve sur votre thermostat :

- Votre appareil cessera de fonctionner lorsque vous mettrez le bouton du thermostat à la position « 0 » (zéro). Votre appareil ne démarrera pas à moins que vous mettiez le bouton du thermostat sur la position « 1 » ou sur l'une des autres positions.

Si la position « min » se trouve sur votre thermostat :

- Débranchez votre appareil pour l'arrêter.



Voyants DEL et bandeau de commande

L'objectif es voyants DEL qui se trouvent à l'avant de votre réfrigérateur est de vous aider à contrôler le fonctionnement de votre appareil.

Conservez vos aliments dans le réfrigérateur avec une certaine sécurité en contrôlant et en utilisant ces DEL et commandes tels qu'expliqués ci-dessous :

Bouton de congélation rapide(1):

Utilisé pour congeler les denrées rapidement. Le compresseur peut ne pas fonctionner immédiatement mais le fait après un certain temps, lorsque le bouton est appuyé, et ce phénomène est tout à fait normal.

Bouton de réglage du thermostat

(2): Ce bouton est utilisé pour régler votre réfrigérateur entre les niveaux minimum et maximum.

L'appareil peut passer en position éteinte lorsque le bouton est placé sous la position MIN. Lorsque le voyant vert est éteint, l'appareil cesse également de fonctionner.

Lorsque l'appareil est éteint (même pour le dégivrage), placez le bouton sur une position supérieure à la position MIN. pour vous assurer qu'il s'allume de nouveau. Dès que l'appareil est allumé, le voyant vert s'allume.

DEL Orange (3): S'allume lorsque le bouton de congélation rapide qui se trouve sur le panneau DEL est appuyé. Dans ce cas, votre réfrigérateur fonctionne en continu.

Appuyez à nouveau sur le bouton lorsque l'aliment que vous voulez congeler atteint la température souhaitée et la DEL orange s'éteindra.

DEL Verte (4): S'allume en continu après avoir branché votre réfrigérateur.

DEL Rouge (5): Ce voyant vous averti en s'allumant en continu lorsque vos réfrigérateurs commencent à fonctionner. Si vous n'obtenez pas suffisamment d'effet de refroidissement, cela signifie que la porte est restée ouverte pendant longtemps et que vous avez surchargé l'appareil de denrées.

Si la DEL rouge s'allume en continu alors que vous n'avez observé aucune des conditions présentées dans la colonne adjacente, appelez immédiatement notre service après-vente agréé.

6 Entretien et nettoyage

- ⚠ N'utilisez jamais d'essence, de benzène ou de matériaux similaires pour le nettoyage.
- ⚠ Nous vous recommandons de débrancher l'appareil avant de procéder au nettoyage.
- ⚠ N'utilisez jamais d'ustensiles tranchants, savon, produit de nettoyage domestique, détergent et cirage pour le nettoyage.
- ℹ Utilisez de l'eau tiède pour nettoyer la carrosserie du réfrigérateur et séchez-la soigneusement à l'aide d'un chiffon.
- ℹ Utilisez un chiffon humide imbibé d'une solution composée d'une cuillère à café de bicarbonate de soude pour un demi litre d'eau pour nettoyer l'intérieur et séchez soigneusement.
- ⚠ Prenez soin de ne pas faire couler d'eau dans le logement de la lampe et dans d'autres éléments électriques.
- ⚠ En cas de non utilisation de votre réfrigérateur pendant une période prolongée, débranchez le câble d'alimentation, sortez toutes les denrées, nettoyez-le et laissez la porte entrouverte.
- ℹ Inspectez les joints de porte régulièrement pour vérifier qu'ils sont propres et qu'il n'y a pas de particules de nourriture.
- ⚠ Pour retirer les balconnets de portes, sortez tout son contenu puis poussez simplement le balconnet vers le haut à partir de la base.

Protection des surfaces en plastique.

- ℹ Ne placez pas d'huiles ou de plats huileux dans le réfrigérateur dans des récipients non fermés, car les graisses peuvent endommager les surfaces en plastique du réfrigérateur. Si vous versez ou éclaboussez de l'huile sur les surfaces en plastique, nettoyez et lavez les parties souillées avec de l'eau chaude immédiatement.

7 Solutions recommandées aux problèmes

Veillez vérifier la liste suivante avant d'appeler le service après-vente. Cela peut vous faire économiser du temps et de l'argent. Cette liste regroupe les problèmes les plus fréquents ne provenant pas d'un défaut de fabrication ou d'utilisation du matériel. Il se peut que certaines des fonctions décrites ne soient pas présentes sur votre produit.

Le réfrigérateur ne fonctionne pas.

- Le réfrigérateur est-il correctement branché ? Insérez la prise dans la prise murale.
- Est-ce que le fusible ou la douille de raccord du réfrigérateur sont connectés ou est-ce que le fusible principal a sauté ? Vérifiez le fusible.

Condensation sur la paroi intérieure du compartiment réfrigérateur. (MULTIZONE, COOL CONTROL et FLEXI ZONE).

- Température ambiante très basse. Ouvertures et fermetures fréquentes de la porte. Humidité ambiante très élevée. Conservation de denrées liquides dans des récipients ouverts. Porte laissée entrouverte. Réglez le thermostat à un niveau de froid supérieur.
- Réduisez les temps d'ouverture de la porte ou utilisez-la moins fréquemment.
- Couvrez les denrées dans des récipients ouverts à l'aide d'un matériau adapté.
- Essayez la condensation à l'aide d'un tissu sec et vérifiez si elle persiste.

Le compresseur ne fonctionne pas.

- Le dispositif de protection thermique du compresseur sautera en cas de coupures soudaines du courant ou de débranchement intempestif, en effet la pression du liquide réfrigérant du système de refroidissement ne sera pas équilibrée. Le réfrigérateur recommencera à fonctionner normalement après 6 minutes environ. Veuillez contacter le service après-vente si le réfrigérateur ne redémarre pas après cette période.
- Le réfrigérateur est en mode de dégivrage. Cela est normal pour un réfrigérateur à dégivrage semi-automatique. Le cycle de dégivrage se déclenche régulièrement.
- Le réfrigérateur n'est pas branché à la prise. Assurez-vous que la prise est branchée à la prise murale.
- Les réglages de température sont-ils corrects ?
- Il se peut qu'il y ait une panne d'électricité.

Le réfrigérateur fonctionne fréquemment ou pendant de longues périodes.

- Votre nouveau réfrigérateur est peut-être plus large que l'ancien. Ceci est tout à fait normal. Les grands réfrigérateurs fonctionnent pendant une période de temps plus longue.
- La température ambiante de la salle peut être élevée. Ceci est tout à fait normal.
- Le réfrigérateur pourrait y avoir été branché tout récemment ou pourrait avoir été chargé de denrées alimentaires. Le refroidissement complet du réfrigérateur peut durer quelques heures de plus.
- D'importantes quantités de denrées chaudes ont peut-être été introduites dans le réfrigérateur récemment. Les denrées chaudes provoquent un fonctionnement prolongé du réfrigérateur avant d'atteindre le niveau de température de conservation raisonnable.
- Les portes ont peut-être été ouvertes fréquemment ou laissées entrouvertes pendant une durée prolongée. L'air chaud qui entre dans le réfrigérateur le fait fonctionner pendant de plus longues périodes. Ouvrez les portes moins souvent.
- La porte du réfrigérateur ou du congélateur ont peut-être été laissées entrouvertes. Vérifiez que les portes sont bien fermées.
- Le réfrigérateur est réglé à une température très basse. Réglez la température du réfrigérateur à un degré supérieur et attendez jusqu'à ce que la température soit bonne.
- Le joint de la porte du réfrigérateur ou du congélateur peut être sale, déchiré, rompu ou mal en place. Nettoyez ou remplacez le joint. Tout joint endommagé/déchiré fait fonctionner le réfrigérateur pendant une période de temps plus longue afin de conserver la température actuelle.

La température du congélateur est très basse alors que celle du réfrigérateur est correcte.

- La température du congélateur est réglée à une température très basse. Réglez la température du congélateur à un degré supérieur et vérifiez.

La température du réfrigérateur est très basse alors que celle du congélateur est correcte.

- Il se peut que la température du réfrigérateur a réglée à une température très basse. Réglez la température du réfrigérateur à un degré supérieur et vérifiez.

Les denrées conservées dans les tiroirs du compartiment de réfrigération congèlent.

- Il se peut que la température du réfrigérateur a réglée à une température très basse. Réglez la température du réfrigérateur à un degré supérieur et vérifiez.

La température dans le réfrigérateur ou le congélateur est très élevée.
<ul style="list-style-type: none"> • La température du réfrigérateur a peut être été réglée à un degré très élevé. Le réglage du réfrigérateur a un effet sur la température du congélateur. Modifiez la température du réfrigérateur ou du congélateur jusqu'à ce qu'elles atteignent un niveau correct. • Les portes ont peut être été ouvertes fréquemment ou laissées entrouvertes pendant une durée prolongée; ouvrez-les moins fréquemment. • La porte est peut être restée ouverte; refermez complètement la porte. • D'importantes quantités de denrées chaudes ont peut être été introduites dans le réfrigérateur récemment. Attendez que le réfrigérateur ou le congélateur atteigne la bonne température. • Le réfrigérateur y a peut être été branché récemment. Le refroidissement complet du réfrigérateur nécessite du temps.
Le niveau sonore augmente lorsque le réfrigérateur est en marche.
<ul style="list-style-type: none"> • Les caractéristiques de performance du réfrigérateur peuvent changer en raison des variations de la température ambiante. Cela est normal et n'est pas un défaut.
Vibrations ou bruits
<ul style="list-style-type: none"> • Le sol n'est pas plat ou n'est pas solide. Le réfrigérateur oscille lorsqu'on le bouge lentement. Assurez-vous que le sol est plat et suffisamment solide pour supporter le réfrigérateur. • Les bruits peuvent être produits par les objets placés sur le réfrigérateur. Enlevez tout ce qu'il y a au-dessus du réfrigérateur.
Le réfrigérateur produit des bruits semblables à de l'eau qui coule ou à la pulvérisation d'un liquide.
<ul style="list-style-type: none"> • Des écoulements de gaz et de liquides se produisent dans le réfrigérateur, de par ses principes de fonctionnement. Cela est normal et n'est pas un défaut.
Le réfrigérateur produit des bruits semblables à du vent.
<ul style="list-style-type: none"> • Les ventilateurs sont utilisés pour refroidir le réfrigérateur. Cela est normal et n'est pas un défaut.
Condensation sur les parois intérieures du réfrigérateur.
<ul style="list-style-type: none"> • Un temps chaud et humide augmente la formation de givre et de condensation. Cela est normal et n'est pas un défaut. • La porte est peut être restée ouverte; assurez-vous que les portes sont complètement fermées. • Les portes ont peut être été ouvertes fréquemment ou laissées entrouvertes pendant une durée prolongée; ouvrez-les moins fréquemment.

De l'humidité est présente à l'extérieur ou entre les portes du réfrigérateur.
<ul style="list-style-type: none"> • Il y a peut être de l'humidité dans l'air; ceci est tout à fait normal par un temps humide. Lorsque l'humidité est faible, la condensation disparaîtra.
Présence d'une mauvaise odeur dans le réfrigérateur.
<ul style="list-style-type: none"> • L'intérieur du réfrigérateur doit être nettoyé. Nettoyez l'intérieur du réfrigérateur avec une éponge, de l'eau tiède ou de l'eau gazeuse. • Certains récipients ou matériaux d'emballage peuvent provoquer ces odeurs. Utilisez un autre récipient ou changez de marque de matériau d'emballage.
La porte ne se ferme pas.
<ul style="list-style-type: none"> • Des récipients peuvent empêcher la fermeture de la porte. Remplacez les emballages qui obstruent la porte. • Le réfrigérateur n'est pas complètement vertical et peut balancer lorsqu'on le bouge légèrement. Réglez les vis de levage. • Le sol n'est pas plat ou solide. Assurez-vous que le sol est plat et qu'il peut supporter le réfrigérateur.
Les bacs à légumes sont coincés.
<ul style="list-style-type: none"> • Il se peut que les denrées touchent le plafond du tiroir. Disposez à nouveau les denrées dans le tiroir.

Lea este manual antes de utilizar el frigorífico.

Estimado cliente:

Esperamos que este aparato, que ha sido fabricado en plantas dotadas de la más avanzada tecnología y sometido a los más estrictos procedimientos de control de calidad, le preste un servicio eficaz.




Para ello, le recomendamos que lea atentamente el presente manual antes de utilizar el aparato, y que lo tenga a mano para futuras consultas.

Este manual

- Le ayudará a usar el electrodoméstico de manera rápida y segura.
 - Lea el manual antes de instalar y poner en funcionamiento el aparato.
 - Siga las instrucciones, en particular las relacionadas con la seguridad.
 - Conserve el manual en un sitio de fácil acceso, ya que podría necesitarlo en el futuro.
 - Lea también los demás documentos suministrados junto con el aparato.
- Tenga en cuenta que este manual también podría ser válido para otros modelos.

Símbolos y sus descripciones

El presente manual de instrucciones emplea los siguientes símbolos:

-  Información importante o consejos útiles sobre el funcionamiento.
-  Advertencia sobre situaciones peligrosas para la vida y la propiedad.
-  Advertencia acerca de la tensión eléctrica.



Este producto incorpora el símbolo de recogida selectiva de residuos de equipos eléctricos y electrónicos.

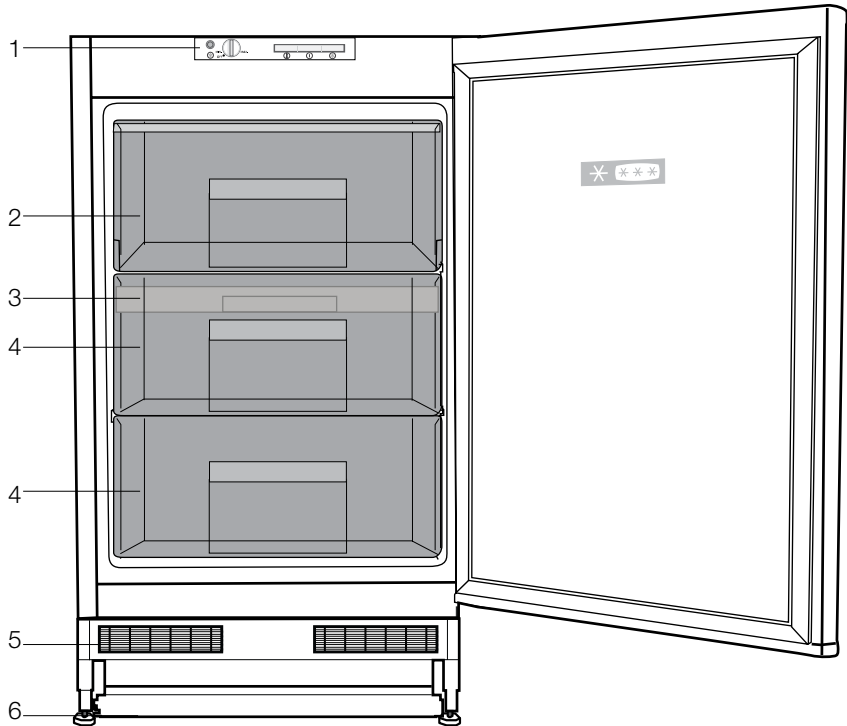
Elo significa que este producto debe ser manipulado teniendo en cuenta la Directiva Europea 2002/96/EC, en orden de ser reciclado o recuperado para minimizar su impacto en el medio ambiente. Para mas información rogamos contacte con las autoridades locales o regionales más próximas a su domicilio.

Los productos electrónicos no incluidos en el proceso de recogida selectiva son potencialmente peligrosos para el medio ambiente y la salud humana debido a la presencia de ciertas sustancias.

ÍNDICE

1 Su frigorífico	3	4 Preparación	12
2 Información importante sobre seguridad	4	5 Uso del frigorífico	13
Finalidad prevista.....	4	Ajuste de la temperatura de funcionamiento.....	13
Seguridad general.....	4	Congelación.....	13
Seguridad infantil.....	6	Parada del aparato.....	14
Advertencia sobre HCA.....	7	Deshielo.....	14
Consejos para el ahorro de energía.....	7	Indicadores LED y panel de control.....	15
3 Instalación	8	6 Mantenimiento y limpieza	16
Cuestiones a considerar a la hora de transportar el frigorífico.....	8	Protección de las superficies de plástico	16
Antes de usar el frigorífico.....	8	7 Sugerencias para la solución de problemas	17
Eliminación del embalaje.....	9	48 9585 0000.....	21
Eliminación de su viejo frigorífico.....	9	48 9585 0000.....	22
Colocación e instalación.....	9		
Colocación del frigorífico bajo la encimera y ajuste de los pies.....	10		
Inversión de las puertas.....	11		

1 Su frigorífico



- 1- Panel de control
- 2- Compartimento de congelación rápida
- 3- Bandeja de hielo
- 4- Compartimento de almacenamiento de alimentos congelados
- 5- Cubierta de ventilación
- 6- Pies ajustables

Las ilustraciones incluidas en el presente manual de instrucciones son esquemáticas y puede que no se adecúen a su producto con exactitud. Si alguno de los elementos reflejados no se corresponde con el producto que usted ha adquirido, entonces será válido para otros modelos.

2 Información importante sobre seguridad

Lea con atención la siguiente información. Su no observancia podría acarrear lesiones personales o daños materiales. En tal caso, las garantías y los compromisos de fiabilidad quedarían anulados.

La vida útil de la unidad adquirida es de 10 años. Éste es el período durante el cual se garantiza la disponibilidad de las piezas de repuesto para la unidad.

Finalidad prevista

- Este aparato está destinado al uso en aplicaciones domésticas y similares, como por ejemplo
 - cocinas para uso del personal de tiendas, oficinas y otros entornos laborales;
 - casas rurales y clientes de hoteles, moteles y otros tipos de entornos residenciales;
 - entornos de tipo "habitación y desayuno";
 - catering y aplicaciones no minoristas similares.
- No se debe usar al aire libre. No es adecuado para su uso en exteriores, incluso aunque esté bajo techo.

Seguridad general

- Cuando desee deshacerse del aparato, le recomendamos que solicite a su servicio técnico autorizado la información necesaria a este respecto, así como la relación de entidades locales a las que puede dirigirse.
- En caso de dudas o problemas, diríjase a su servicio técnico autorizado. No intente reparar el frigorífico sin consultar con el servicio técnico, ni deje que nadie lo haga.
- No consuma los helados o cubitos de hielo inmediatamente después de sacarlos del compartimento congelador, ya que podría sufrir daños en su boca a causa del frío.
- No deposite bebidas embotelladas o enlatadas en el compartimento

congelador, ya que podrían estallar.

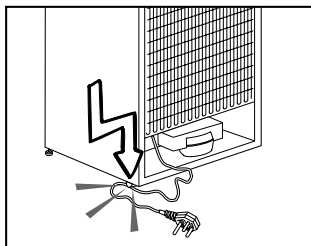
- No toque con la mano los alimentos congelados, ya que podrían adherirse a ella.
- No utilice nunca materiales de limpieza que usen vapor para limpiar o descongelar el frigorífico. El vapor podría entrar en contacto con los elementos eléctricos y causar cortocircuitos o descargas eléctricas.
- No utilice nunca elementos del frigorífico tales como la puerta como medio de sujeción o como escalón.
- No utilice aparatos eléctricos en el interior del frigorífico.
- Evite dañar el circuito del refrigerante con herramientas cortantes o de perforación. El refrigerante contenido en los canales de gas del evaporador, los conductos o los recubrimientos de las superficies puede causar irritaciones en la piel y lesiones en los ojos.
- No cubra ni bloquee los orificios de ventilación de su frigorífico con ningún material.
- Las reparaciones de los aparatos eléctricos sólo deben ser realizadas por personas calificadas. Las reparaciones realizadas por personas incompetentes pueden generar riesgos para el usuario.
- En caso de fallo o cuando vaya a realizar cualquier operación de reparación o mantenimiento, desconecte el frigorífico de la corriente apagando el fusible correspondiente o bien desenchufando el aparato.
- No desenchufe el aparato de la toma de corriente tirando del cable.
- Coloque las bebidas de mayor graduación alcohólica juntas y en posición vertical.
- No deposite en el electrodoméstico sustancias explosivas ni productos que contengan gases inflamables, como por

ejemplo aerosoles.

- Utilice únicamente los dispositivos mecánicos o los medios recomendados por el fabricante para acelerar el proceso de deshielo.
- Este aparato no debe ser utilizado por niños o por personas con sus facultades físicas, sensoriales o mentales reducidas o bien que carezcan de la experiencia y los conocimientos necesarios, a menos que lo hagan bajo la supervisión de personas responsables de su seguridad o bien tras haber recibido instrucciones de uso por parte de dichas personas.
- No utilice un frigorífico que haya sufrido daños. En caso de duda, consulte con su servicio técnico.
- La seguridad eléctrica de su frigorífico sólo estará garantizada si el sistema de toma de tierra de su domicilio se ajusta a los estándares.
- Desde el punto de vista de la seguridad eléctrica, es peligroso exponer el aparato a la lluvia, la nieve o el viento.
- Póngase en contacto con el servicio técnico autorizado en caso de daños en el cable de alimentación principal u otro elemento similar, para que éste no represente un peligro para usted.
- Nunca enchufe el frigorífico en la toma de corriente durante su instalación. Existe peligro de lesiones graves e incluso de muerte.
- Este frigorífico se ha diseñado con el único propósito de almacenar alimentos. No debe utilizarse para ningún otro propósito.
- La etiqueta que contiene los datos técnicos del frigorífico se encuentra en la parte interior izquierda del mismo.
- No conecte el frigorífico a sistemas electrónicos de ahorro de energía, ya que podría dañarlo.
- Si el frigorífico tiene una luz azul, no la mire a través de dispositivos ópticos.
- En los frigoríficos de control manual, si

se produce un corte del fluido eléctrico espere al menos 5 minutos antes de volver a conectar la corriente.

- En caso de cambio de propietario, entregue el presente manual al nuevo propietario del frigorífico.
- Si cambia de sitio el frigorífico, asegúrese de no dañar el cable de alimentación. Evite retorcer el cable de alimentación con el fin de evitar incendios. No deposite objetos pesados sobre el cable de alimentación. Evite conectar el enchufe del frigorífico a la toma de corriente con las manos húmedas.



- No enchufe el frigorífico si el enchufe no encaja con firmeza en la toma de corriente.
- Por razones de seguridad, no salpique agua directamente sobre las partes externas o internas del frigorífico.
- No rocíe materiales inflamables tales como gas propano cerca del frigorífico, ya que existe riesgo de incendio y explosión.
- No coloque recipientes con agua sobre el frigorífico, ya que podría provocar una descarga eléctrica o un incendio.
- No deposite demasiados alimentos en el frigorífico, ya que parte de ellos podría caer al abrir la puerta, pudiendo provocarle lesiones o dañar el frigorífico. No coloque objetos sobre el frigorífico, ya que podrían caer al abrir o cerrar la puerta.
- Los artículos que requieran una temperatura determinada tales como vacunas, medicamentos sensibles a la temperatura, material científico, etc., no

deben depositarse en el frigorífico.

- Desenchufe el frigorífico si no va a utilizarlo durante periodos de tiempo prolongados. Cualquier defecto de la cubierta protectora del cable podría provocar un incendio.
- Limpie regularmente la punta del enchufe, ya que de lo contrario existe riesgo de incendio.
- Si los pies ajustables del frigorífico no están firmemente asentados sobre el suelo, el frigorífico podría desplazarse. Los pies ajustables le permiten asentar firmemente el frigorífico sobre el suelo.
- Si la puerta del frigorífico dispone de asa, no tire de ella para desplazar el frigorífico ya que podría soltarse.
- Si el aparato se tiene que colocar al lado de otro frigorífico o congelador, la distancia entre ellos debe ser de al menos 8 cm. De lo contrario es posible que se produzca condensación en las paredes laterales encaradas.
- La presión del suministro de agua no debe ser inferior a 1 bar ni superior a 8 bares.
- Use agua potable únicamente.

Seguridad infantil

- Si la puerta tiene cerradura, mantenga la llave fuera del alcance de los niños.
- Vigile a los niños para asegurarse de que no jueguen con este electrodoméstico.

Advertencia sobre HCA

Si su aparato dispone de un sistema de refrigeración que contiene R600a:

Este gas es inflamable. Por lo tanto, procure no dañar el sistema de enfriamiento ni sus conductos durante el uso o el transporte del aparato. En caso de daños, mantenga el aparato alejado de fuentes potenciales de ignición que puedan provocar que éste sufra un incendio, y ventile la estancia en la que se encuentre el aparato.

Ignore esta advertencia si su aparato

dispone de un sistema de refrigeración que contiene R134a.

Puede ver qué gas fue utilizado en la fabricación de su aparato en la placa de datos ubicada en su cara interior izquierda.

Jamás arroje el aparato al fuego.

Consejos para el ahorro de energía

- No deje las puertas del frigorífico abiertas durante periodos largos de tiempo.
- No introduzca alimentos o bebidas calientes en el frigorífico.
- No sobrecargue el frigorífico, ya que entorpecería la circulación del aire en su interior.
- No instale el frigorífico de forma que quede expuesto a la luz solar directa o cerca de aparatos que irradian calor tales como hornos, lavavajillas o radiadores.
- Procure depositar los alimentos en recipientes cerrados.
- Retirando el estante o el cajón, el compartimento congelador dispondrá del máximo volumen para el depósito de alimentos. El valor del consumo de energía declarado de su frigorífico se ha determinado con el estante o cajón del compartimento congelador retirado y con la carga máxima de alimentos. No existe ningún riesgo en la utilización de un estante o cajón según las formas o tamaños de los alimentos que se van a congelar.

3 Instalación

⚠ Recuerde que el fabricante declina toda responsabilidad en caso de no observancia de la información contenida en el presente manual.

Cuestiones a considerar a la hora de transportar el frigorífico

1. El frigorífico debe estar vacío y limpio antes de proceder a su transporte.
2. Los estantes, accesorios, el cajón de frutas y verduras, etc., deben sujetarse con cinta adhesiva antes de embalar el frigorífico para evitar que se muevan.
3. Encinte el frigorífico una vez embalado con cinta gruesa y fjelo con cuerdas resistentes. Siga las reglas de transporte que encontrará impresas en el propio embalaje.

No olvide que:

El reciclaje de materiales es un asunto de vital importancia para la naturaleza y para los recursos del país.

Si desea contribuir al reciclaje de los materiales de embalaje, solicite más información a los responsables medioambientales de su zona o a las autoridades locales.

Antes de usar el frigorífico

Antes de empezar a usar el frigorífico, verifique lo siguiente:


1. El interior del frigorífico está seco y el aire puede circular con libertad por su parte posterior.
2. Limpie el interior del frigorífico de la forma recomendada en la sección "Mantenimiento y Limpieza".
3. Enchufe el frigorífico a la toma de corriente. Al abrir la puerta del frigorífico, la luz interior del compartimento frigorífico se enciende.
4. Se oye un ruido cada vez que el compresor se pone en funcionamiento. El líquido y los gases contenidos en el sistema de refrigeración pueden también generar ruidos, incluso aunque el compresor no esté funcionando, lo cual es normal.
5. Es posible que las aristas delanteras del aparato se noten calientes al tacto, cosa que es perfectamente normal. Estas zonas deben permanecer calientes para evitar la condensación.


Conexiones eléctricas

Conecte el frigorífico a una toma de corriente provista de toma de tierra y protegida por un fusible de la capacidad adecuada.

Importante:

- La conexión debe cumplir con las normativas nacionales.
- El enchufe de alimentación debe ser fácilmente accesible tras la instalación.
- La tensión especificada debe corresponder a la tensión de la red eléctrica.
- No use cables de extensión ni enchufes múltiples para conectar la unidad.

 En caso de que el cable de alimentación esté dañado, solicite su sustitución a un electricista cualificado.

 ¡No ponga en funcionamiento el aparato hasta que no esté reparado! ya que existe peligro de cortocircuito.

Eliminación del embalaje

Los materiales de empaque pueden ser peligrosos para los niños. Manténgalos fuera de su alcance o deshágase de ellos clasificándolos según las instrucciones para la eliminación de residuos. No los tire junto con los residuos domésticos normales.

El embalaje del frigorífico se ha fabricado con materiales reciclables.


Eliminación de su viejo frigorífico

Deshágase de su viejo frigorífico de manera respetuosa con el medio ambiente.

- Consulte las posibles alternativas a un distribuidor autorizado o al centro de recogida de residuos de su municipio.

Antes de proceder a la eliminación del frigorífico, corte el enchufe y, si las puertas tuvieran cierres, destrúyalos para evitar que los niños corran riesgos.

Colocación e instalación

 Si la puerta de entrada a la estancia donde va a instalar el frigorífico no es lo suficientemente ancha como para permitir su paso, solicite al servicio técnico que retire las puertas del frigorífico y lo pase de lado a través de la puerta.

1. Instale el frigorífico en un lugar en el que pueda utilizarse con comodidad.

2. Mantenga el frigorífico alejado de fuentes de calor y lugares húmedos y evite su exposición directa a la luz solar.

3. Para que el frigorífico funcione con la máxima eficacia, debe instalarse en una zona que disponga de una ventilación adecuada.

Si el frigorífico va a instalarse en un hueco de la pared, debe dejarse un mínimo de 5 cm de separación con el techo y de 5 cm con las paredes.

Si el suelo está cubierto con una alfombra, deberá elevar el frigorífico 2,5 cm del suelo.

4. Coloque el frigorífico sobre una superficie lisa para evitar sacudidas.

5. No instale el frigorífico en estancias cuya temperatura ambiente sea inferior a 10 °C.

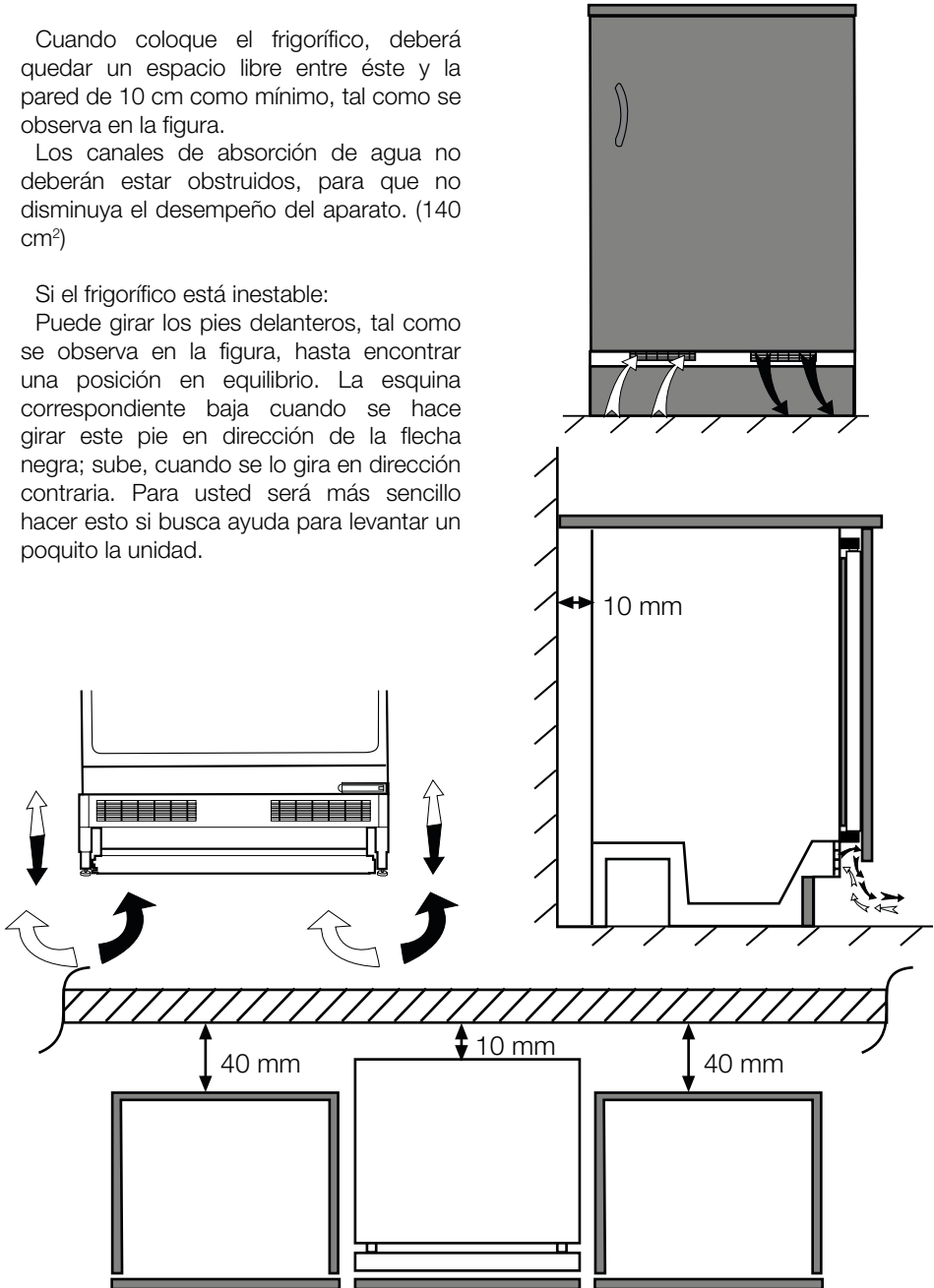
Colocación del frigorífico bajo la encimera y ajuste de los pies

Cuando coloque el frigorífico, deberá quedar un espacio libre entre éste y la pared de 10 cm como mínimo, tal como se observa en la figura.

Los canales de absorción de agua no deberán estar obstruidos, para que no disminuya el desempeño del aparato. (140 cm²)

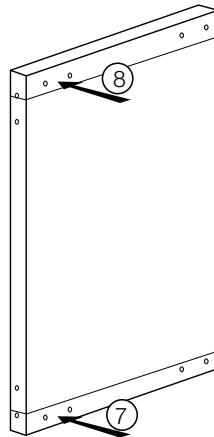
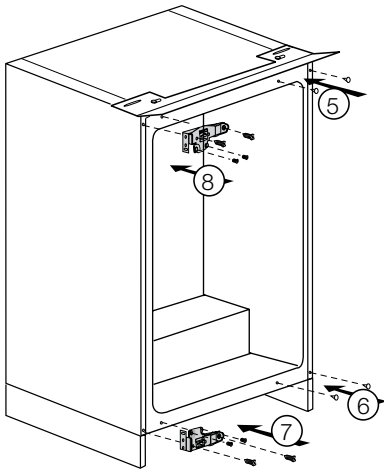
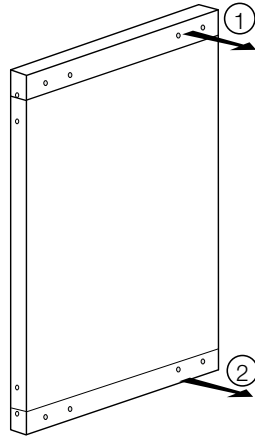
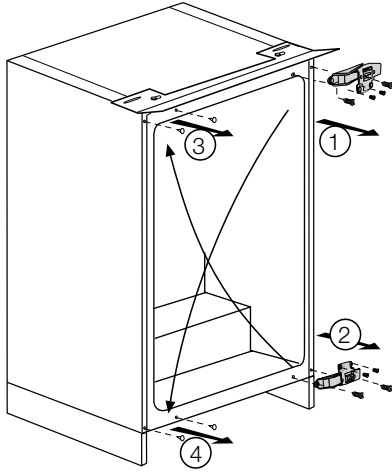
Si el frigorífico está inestable:

Puede girar los pies delanteros, tal como se observa en la figura, hasta encontrar una posición en equilibrio. La esquina correspondiente baja cuando se hace girar este pie en dirección de la flecha negra; sube, cuando se lo gira en dirección contraria. Para usted será más sencillo hacer esto si busca ayuda para levantar un poquito la unidad.



Inversión de las puertas

Proceder en orden numérico



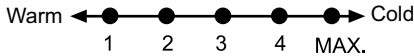
4 Preparación

- i** El frigorífico debe instalarse dejando una separación no inferior a 30 cm respecto a fuentes de calor tales como quemadores, hornos, calefacciones o estufas y no inferior a 5 cm con respecto a hornos eléctricos, evitando asimismo su exposición directa a la luz solar.
- i** La temperatura ambiente de la estancia donde instale el frigorífico no será inferior a 10 °C. A temperaturas inferiores, el frigorífico puede ver reducida su eficacia.
- i** Verifique que el interior del frigorífico esté bien limpio.
- i** En caso de que vaya a instalar dos frigoríficos uno al lado del otro, debe dejar una separación no inferior a 2 cm entre ellos.
- i** Al utilizar el frigorífico por primera vez, siga las siguientes instrucciones referentes a las primeras seis horas.
 - No abra la puerta con frecuencia.
 - No deposite alimentos en el interior.
 - No desenchufe el frigorífico. En caso de corte del suministro eléctrico ajeno a su voluntad, consulte las advertencias de la sección "Sugerencias para la solución de problemas".
- i** Guarde el embalaje original para futuros traslados.

5 Uso del frigorífico

Ajuste de la temperatura de funcionamiento

La temperatura de funcionamiento se regula mediante el mando de control de temperatura.



Seleccione el ajuste en función de la temperatura deseada.

La temperatura interior depende asimismo de la temperatura ambiente, la frecuencia de apertura de la puerta y la cantidad de alimentos almacenados.

Una apertura frecuente de la puerta provoca una subida de la temperatura del interior.


Por este motivo, se recomienda cerrar la puerta lo antes posible después de cada uso.

La temperatura normal de almacenamiento del electrodoméstico debe ser de $-18\text{ }^{\circ}\text{C}$ ($0\text{ }^{\circ}\text{F}$). Es posible alcanzar temperaturas más bajas desplazando el mando del termostato hacia la posición 4 (o máx.)

Se recomienda comprobar la temperatura con un termómetro para asegurarse de que los compartimentos para alimentos se encuentra a la temperatura deseada. Es necesario tomar la lectura inmediatamente, puesto que la temperatura del termómetro subirá muy rápidamente después de que se saque del congelador.

Congelación

Congelación de alimentos

El compartimento de congelación aparece marcado con el símbolo .

El electrodoméstico puede utilizarse para congelar alimentos frescos así como para almacenar preparados precongelados.

Por favor, consulte las recomendaciones que figuran en el envase de los alimentos.

Advertencia

No congele bebidas gaseosas, ya que las botellas pueden estallar cuando el líquido en su interior se congele.

Tenga cuidado con productos congelados tales como cubitos de hielo de colores.

No rebase la cantidad de alimentos que es capaz de congelar el frigorífico en 24 horas. Consulte la placa de datos.

Para mantener la calidad de los alimentos, la congelación de los mismos debe realizarse lo más rápidamente posible.

De esa manera, no se excederá la capacidad de congelación y no aumentará la temperatura en el interior del congelador.

Advertencia

Mantenga los alimentos ya congelados separados de los colocados recientemente.

Cuando introduzca alimentos calientes en el congelador, el compresor de refrigeración se mantendrá en funcionamiento hasta que estén completamente congelados, cosa que puede temporalmente provocar un enfriamiento excesivo del compartimento de refrigeración.

Puede resultar difícil abrir la puerta del congelador justo después de haberla cerrado. No se preocupe. Ello es debido a la diferencia de presión, que se igualará y permitirá la normal apertura de la puerta en pocos minutos.

Oírás un sonido de aspiración nada más cerrar la puerta. Esto es perfectamente normal.

- Por lo general, los alimentos congelados pueden almacenarse a temperaturas inferiores a -18 °C durante un periodo que dependerá del tipo de alimento, pero que puede llegar a ser de 3 meses. Los fabricantes de los alimentos indican en los envases los periodos de almacenamiento y las fechas de caducidad.
- Deposite los alimentos congelados adquiridos en el congelador antes de que se descongelen.
- Los alimentos congelados pueden conservarse en los compartimentos con cajones.

Para garantizar el mantenimiento de la calidad de los alimentos congelados, tenga en cuenta lo siguiente:

1. Coloque los paquetes de alimentos congelados en el congelador lo antes posible tras su compra.

2. Respete las fechas de "Usar antes de" o "Consumir antes de" indicadas en los envases.

3. Tenga en cuenta que los cajones, las cestas, las solapas y las bandejas son extraíbles.

Deshielo

El incremento del grosor del hielo que se forma en el evaporador del frigorífico reducirá su eficiencia de enfriamiento.

Por lo tanto, proceda al deshielo cuando el grosor de la capa de hielo alrededor del evaporador alcance los 5 mm. Se recomienda que descongele el hielo cuando el frigorífico no esté demasiado lleno o cuando esté vacío.

Envuelva los alimentos contenidos en el frigorífico en unas cuantas hojas de papel y deposítelos en el lugar más fresco posible o bien en otro frigorífico.

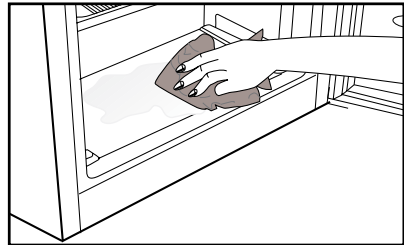
Ponga el botón de ajuste del termostato en la posición de apagado o desenchufe el cable de alimentación para llevar a cabo el deshielo.

Retire los cajones del frigorífico (no es necesario retirar la tapa del compartimento con tapa). Transcurrido cierto tiempo, el agua fundida se acumulará en el depósito ubicado en la parte inferior del frigorífico.

Retire el agua acumulada por medio de una esponja suave o similar, y a continuación seque bien el depósito.

No olvide poner el botón de ajuste del termostato en una posición distinta de la posición de apagado para que el frigorífico se vuelva a poner en marcha.

Deje en funcionamiento el frigorífico vacío y con las puertas cerradas durante dos horas antes de volver a introducir los alimentos en él.



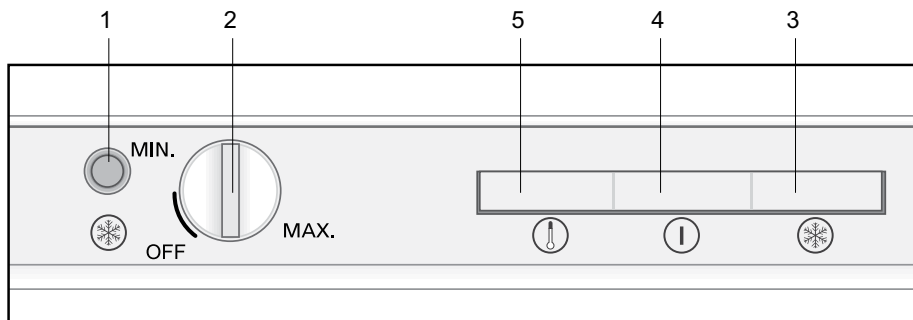
Parada del aparato

Si su termostato dispone de posición "0":

- Su aparato dejará de funcionar al poner el botón del termostato en la posición "0" (cero). El aparato no se pondrá en marcha hasta que no sitúe de nuevo el botón del termostato en la posición "1" o en cualquiera de las demás posiciones.

Si su termostato dispone de posición "min":

- Desenchufe el aparato para detener su funcionamiento.



Indicadores LED y panel de control

Los indicadores LED situados en la parte frontal de su frigorífico le ayudan a supervisar el funcionamiento del aparato.

Estos LED y controles le ayudan a conservar los alimentos en el frigorífico con total seguridad de la siguiente forma:

Botón de congelación rápida (1): Se utiliza para congelar alimentos con rapidez. Es posible que el compresor no entre en funcionamiento inmediatamente después de pulsar el botón, cosa que es totalmente normal.

Botón de ajuste del termostato (2): se usa para fijar la temperatura del frigorífico entre el valor mínimo y el máximo.

Es posible que el frigorífico se apague al ajustar el mando a una posición por debajo de MIN. Cuando el indicador luminoso verde está apagado, el frigorífico está también apagado.

Una vez apagado el frigorífico (incluso para el deshielo), ajuste el mando en alguna posición por encima de MIN para garantizar que se vuelva a encender. Cuando el frigorífico se encienda, el indicador luminoso verde se encenderá también.

LED naranja (3): Se enciende al pulsar el botón de congelación rápida ubicado en el panel de LED. En tal caso, el frigorífico funcionará de manera ininterrumpida.

Pulse de nuevo el botón cuando los alimentos que desee congelar rápidamente alcancen la temperatura deseada; el LED naranja se apagará.

LED verde (4): Se queda iluminado sin parpadear al enchufar el frigorífico.

LED rojo (5): Se ilumina sin parpadear cuando el frigorífico empieza a funcionar, si no enfría lo suficiente, si la puerta se queda abierta durante un periodo largo de tiempo o si se deposita en él una cantidad excesiva de alimentos.

Si el LED rojo permanece encendido sin que se aprecien ninguna de las condiciones mencionadas, póngase en contacto con el servicio técnico autorizado.

6 Mantenimiento y limpieza

- ⚠ No utilice nunca gasolina, benceno o sustancias similares para la limpieza.
- ⚠ Le recomendamos desenchufar el aparato antes de proceder a su limpieza.
- ⚠ No utilice nunca para la limpieza instrumentos afilados o sustancias abrasivas, jabones, limpiadores domésticos, detergentes ni ceras abrillantadoras.
- ℹ Limpie el armario del frigorífico con agua tibia y séquelo con un paño.
- ℹ Para limpiar el interior, utilice un paño humedecido en un vaso grande de agua con una cucharadita de bicarbonato sódico disuelta y séquelo con un trapo.
- ⚠ Asegúrese de que no penetre agua en el alojamiento de la lámpara ni en otros elementos eléctricos.
- ⚠ Si no va a utilizar el frigorífico durante un periodo prolongado, desenchúfelo, retire todos los alimentos, límpielo y deje la puerta entreabierta.
- ℹ Compruebe regularmente los cierres herméticos de la puerta para asegurarse de que estén limpios y sin restos de alimentos.
- ⚠ Para extraer las bandejas de la puerta, retire todo su contenido y, a continuación, simplemente empuje la bandeja hacia arriba desde su base.

Protección de las superficies de plástico

- ℹ No deposite aceites líquidos o alimentos aceitosos en recipientes no cerrados ya que dañarán las superficies de plástico de su frigorífico. En caso de derrame de aceite sobre las superficies de plástico, limpie y enjuague con agua caliente la parte afectada de inmediato.

7 Sugerencias para la solución de problemas

Le rogamos compruebe la siguiente lista antes de llamar al servicio técnico. Puede ahorrarle tiempo y dinero. Esta lista incluye problemas frecuentes no achacables a defectos en materiales o manufactura. Es posible que algunas de las características mencionadas no estén presentes en su aparato.

El frigorífico no funciona

- ¿Está el frigorífico convenientemente enchufado? Inserte el enchufe en la toma de corriente.
- ¿Están fundidos el fusible principal o el fusible del enchufe al cual ha conectado el frigorífico? Revise los fusibles.

Condensación en la pared lateral del compartimento frigorífico (MULTIZONA, CONTROL DE FRÍO y FLEXI ZONA).

- Condiciones ambientales muy frías. Frecuente apertura y cierre de la puerta. Nivel alto de humedad ambiental. Almacenamiento de alimentos que contienen líquidos en recipientes abiertos. Dejar la puerta entreabierta. Ponga el termostato a una temperatura más baja.
- Deje la puerta abierta durante menos tiempo o ábrala con menos frecuencia.
- Cubra los alimentos almacenados en recipientes abiertos con un material adecuado.
- Enjague el agua condensada con un paño seco y compruebe si la condensación persiste.

El compresor no funciona

- El dispositivo térmico protector del compresor saltará en caso de un corte súbito de energía o de idas y venidas de la corriente, ya que la presión del refrigerante en el sistema de enfriamiento aún no se ha estabilizado. Su frigorífico se pondrá en marcha transcurridos unos 6 minutos. Llame al servicio técnico si su frigorífico no se pone en marcha transcurrido ese periodo.
- El frigorífico se encuentra en el ciclo de descongelación. Esto es normal en un frigorífico con descongelación automática. El ciclo de descongelación se produce de forma periódica.
- El frigorífico no está enchufado. Asegúrese de que el enchufe esté bien colocado en la toma.
- ¿Está la temperatura correctamente fijada?
- Puede haberse cortado el suministro eléctrico.

El frigorífico está en funcionamiento con frecuencia o durante periodos prolongados.

- Puede que su nuevo frigorífico sea más grande que el que tenía anteriormente. Esto es perfectamente normal. Los frigoríficos de mayor tamaño funcionan durante más tiempo.
- Puede que la temperatura ambiente de la estancia sea alta. Esto es perfectamente normal.
- Es posible que haya enchufado el frigorífico o bien lo haya cargado de alimentos recientemente. Puede que el frigorífico tarde unas dos horas en enfriarse por completo.
- Es posible que recientemente haya depositado grandes cantidades de alimentos en el frigorífico. Los alimentos calientes pueden ocasionar que el frigorífico trabaje durante más tiempo hasta alcanzar la temperatura de almacenamiento seguro.
- Es posible que las puertas se hayan abierto con frecuencia o que se hayan dejado entreabiertas por un tiempo prolongado. El aire caliente que ha penetrado en el frigorífico hace que éste funcione durante más tiempo. Abra las puertas con menos frecuencia.
- Es posible que la puerta del compartimento frigorífico o congelador se haya dejado entreabierta. Compruebe que las puertas estén bien cerradas.
- El frigorífico está ajustado a una temperatura muy baja. Ajuste la temperatura del frigorífico a un valor más alto y espere a que se alcance dicha temperatura.
- La junta de la puerta del compartimento frigorífico o congelador puede estar sucia, desgastada, rota o no asentada correctamente. Limpie o sustituya la junta. Una junta rota o dañada hace que el frigorífico funcione durante más tiempo con el fin de mantener la temperatura actual.

La temperatura del congelador es muy baja, mientras que la del frigorífico es correcta.

- La temperatura del congelador está ajustada a un valor muy bajo. Ajuste la temperatura del congelador a un valor más elevado y compruebe.

La temperatura del frigorífico es muy baja, mientras que la del congelador es correcta.

- La temperatura del compartimento frigorífico podría estar ajustada a un valor muy bajo. Ajuste la temperatura del frigorífico a un valor más elevado y compruebe.

Los alimentos depositados en los cajones del compartimento frigorífico se están congelando.

- La temperatura del compartimento frigorífico podría estar ajustada a un valor muy bajo. Ajuste la temperatura del frigorífico a un valor más elevado y compruebe.

La temperatura del congelador o el frigorífico es muy alta.
<ul style="list-style-type: none"> • La temperatura del compartimento frigorífico podría estar ajustada a un valor muy alto. El ajuste de la temperatura del frigorífico afecta a la temperatura del congelador. Cambie la temperatura del frigorífico o del congelador hasta que alcance un nivel suficiente. • Es posible que las puertas se hayan abierto con frecuencia o que se hayan dejado entreabiertas por un tiempo prolongado; ábralas con menor frecuencia. • Se ha podido dejar la puerta entreabierta; cierre la puerta completamente. • Es posible que recientemente haya depositado grandes cantidades de alimentos en el frigorífico. Espere hasta que el frigorífico o el congelador alcance la temperatura deseada. • Es posible que el frigorífico haya sido enchufado recientemente. Enfriar por completo el frigorífico lleva un tiempo.
El nivel de ruidos propios del funcionamiento se incrementa cuando el frigorífico está en marcha.
<ul style="list-style-type: none"> • El rendimiento del frigorífico puede cambiar en función de las variaciones en la temperatura ambiente. Esto es perfectamente normal, no es ninguna avería.
Vibraciones o ruidos.
<ul style="list-style-type: none"> • El suelo no está nivelado ni es firme. El frigorífico oscila al moverlo lentamente. Compruebe que el suelo esté nivelado y que sea capaz de soportar el peso del frigorífico. • El ruido puede deberse a los elementos guardados en el frigorífico. Retire los objetos colocados sobre el frigorífico.
Pueden oírse ruidos como si un líquido se derramara o se pulverizara.
<ul style="list-style-type: none"> • Los líquidos y gases fluyen en función de los principios de funcionamiento del frigorífico. Esto es perfectamente normal, no es ninguna avería.
Puede oírse un ruido parecido al viento.
<ul style="list-style-type: none"> • Se utilizan ventilador para enfriar el frigorífico. Esto es perfectamente normal, no es ninguna avería.
Condensación en las paredes interiores del frigorífico.
<ul style="list-style-type: none"> • El tiempo cálido y húmedo favorece la formación de hielo y la condensación. Esto es perfectamente normal, no es ninguna avería. • Pueden haberse dejado las puertas entreabiertas; asegúrese de cerrarlas completamente. • Es posible que las puertas se hayan abierto con frecuencia o que se hayan dejado entreabiertas por un tiempo prolongado; ábralas con menor frecuencia.
Hay humedad en el exterior del frigorífico o entre las puertas.
<ul style="list-style-type: none"> • Puede haber humedad en el aire; es algo bastante normal en lugares húmedos. Cuando el grado de humedad descienda, la condensación desaparecerá.

Mal olor en el interior del frigorífico.

- El interior del frigorífico debe limpiarse. Limpie el interior del frigorífico con una esponja empapada en agua caliente o agua con gas.
- Es posible que el olor provenga de algún recipiente o envoltorio. Utilice otro recipiente o materiales para envolver de una marca diferente.

La puerta no cierra.

- Puede que los paquetes de alimentos depositados no dejen que las puertas se cierren. Recolecte los paquetes que estén obstruyendo la puerta.
- El frigorífico no se ha colocado completamente vertical y podría oscilar cuando se mueve ligeramente. Ajuste los tornillos de elevación.
- El suelo no está nivelado o no es firme. Compruebe que el suelo esté nivelado y que sea capaz de soportar el peso del frigorífico.

Los cajones están atascados.

- Es posible que algún alimento toque el techo del cajón. Cambie la distribución de los alimentos en el cajón.