

# USE AND CARE GUIDE



## DISHWASHERS

Models:

DWHD440MFM

DWHD440MFP

DWHD440MPR

9000817362 Rev A (9302)

**Thermador**   
REAL INNOVATIONS FOR REAL COOKS.®

# USE AND CARE GUIDE

DISHWASHERS

Model:

DWHD440MFM

DWHD440MFP

DWHD440MPR

Congratulations and thank you!

Thank you for selecting a Thermador® dishwasher. You have joined the many consumers who demand superior performance developed from innovation and careful engineering.

This manual was written with your safety and convenience in mind, and the information contained herein is very important. We highly recommend that you read this manual before you use your dishwasher for the first time.

We have no doubt that you will be pleased with your purchase, and benefit from the extra effort we've invested. Should you have any questions or require assistance please contact our customer service department at:

[www.thermador.com](http://www.thermador.com) (USA)

or

[www.thermador.ca](http://www.thermador.ca) (Canada)

If you have any questions or comments, please contact us at:

1-800-735-4328

## Table of Contents

Important Safety Instructions.....	3-5
Dishwasher Components.....	5
Dishware Materials.....	6
Loading the Dishwasher.....	6-7
Loading the Silverware Basket.....	8
Rack Accessories.....	8-9
Adding Detergent and Rinse Aid.....	9-11
Dishwasher Cycles and Options.....	11
Wash Cycle Information.....	12
Operating the Dishwasher.....	13-14
Care and Maintenance.....	15-16
Self Help.....	17-19
Customer Service.....	20
Warranty Information.....	21-22

## **IMPORTANT SAFETY INSTRUCTIONS: Please READ and SAVE this information**



### **WARNING**

Misuse of the dishwasher can result in serious injury or death. Do not use the dishwasher in any way not covered in this manual or for any purpose other than those explained in the following pages.



Severe product damage and/or injury could result from the use of unqualified service technicians or non-original replacement parts. All repairs must be performed by a qualified service technician using only original equipment factory replacement parts.



Electrical shock or fire could result if the electrical supply for the dishwasher covered in this manual is incorrectly installed or if the dishwasher has been improperly grounded. Do not use the dishwasher covered in this manual unless you are certain the electrical supply has been correctly installed or the dishwasher has been properly grounded.



Never use harsh chemicals to clean your dishwasher. Some chloride-containing products can damage your dishwasher and may present health hazards!



Only sanitizing cycles have been designed to meet the requirements of 6 for soil removal and sanitation efficacy. There is no intention, either directly or indirectly, to imply that all cycles on a certified machine have passed the sanitization performance test.

### **NOTICE**

Never use steam cleaning products to clean your dishwasher. The manufacturer will not be liable for the possible damages or consequences.



It is highly recommended for the end user to become familiar with the procedure to shut off the incoming water supply and the procedure to shut off the incoming power supply. See the Installation Instructions or contact your installer for more information.



NSF/ANSI 184 Certified residential dishwashers are not intended for licensed food establishments.



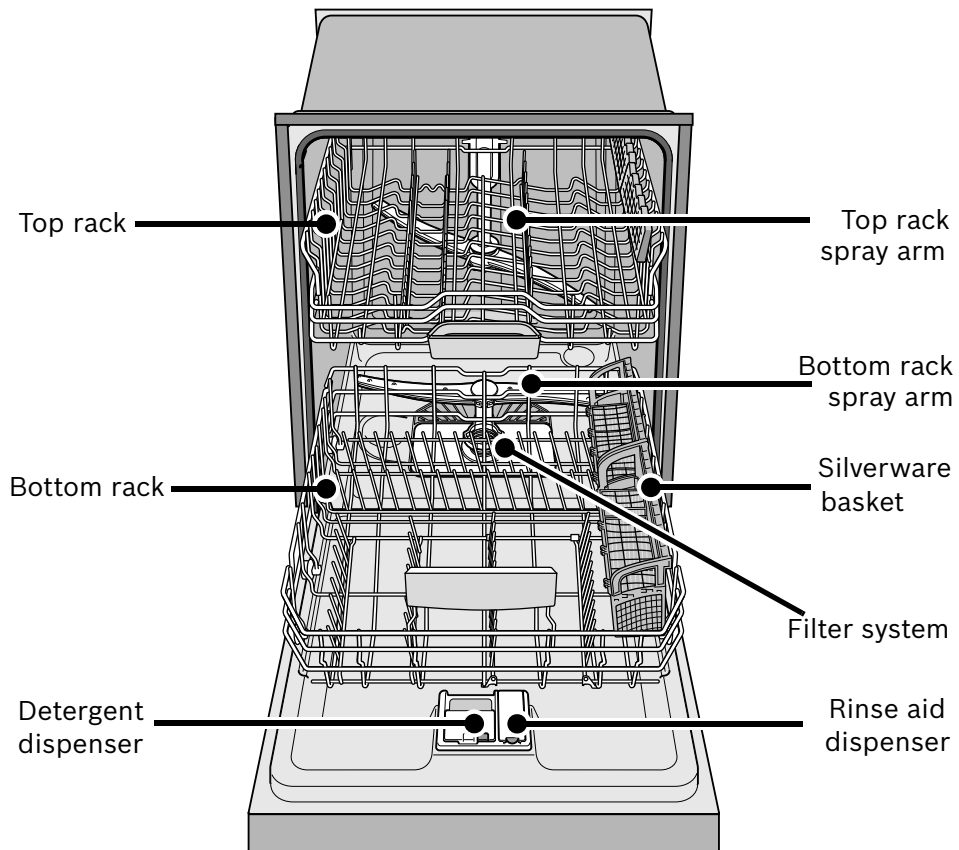
**WARNING: To reduce the risk of fire, electrical shock, or serious injury, observe the following:**

- 1 This dishwasher is provided with Installation Instructions and this Use and Care Manual. Read and understand all instructions before using the dishwasher.
- 2 This appliance must be grounded to a metal, permanent wiring system, or an equipment grounding conductor must be run with the circuit conductors and connected to the equipment grounding terminal or lead on the dishwasher. See the Installation Instructions included with this dishwasher for more information on electrical requirements.
- 3 Use this dishwasher only for its intended function, which is the washing of household dishware and kitchenware.
- 4 Use only detergents or rinsing agents recommended for use in a dishwasher, and keep them out of the reach of children.
- 5 When loading items to be washed:
  - Locate sharp items so they are not likely to damage the door seal.
  - Load knives and other sharp utensils with their HANDLES UP to reduce the risk of cut-type injuries.
  - Do not wash plastic items unless they are marked “dishwasher safe” or the equivalent. For plastic items not so marked, check the manufacturer’s recommendations.
  - Do not operate your dishwasher unless all enclosure panels are in place.
  - Do not tamper with or override controls and interlocks.
- 6 Do not abuse, sit or stand on the door or dish racks of the dishwasher.
- 7 To reduce risk of injury, do not allow children to play in or on the dishwasher.
- 8 When children become old enough to operate the appliance, it is the legal responsibility of the parents/legal guardians to ensure the children are instructed in safe practices by qualified persons.
- 9 Under certain conditions, hydrogen gas may be produced in a hot water system that has not been used for two weeks or more. Hydrogen gas is explosive. Before using a dishwasher that is connected to a hot water system that has been unused for two weeks or longer, turn on all hot water faucets and let the water flow from each for several minutes. This will release any accumulated hydrogen gas. As the gas is explosive, do not smoke or use an open flame during this time.
- 10 Remove the dishwasher door to the washing compartment when removing an old dishwasher for service or discarding.
- 11 To avoid floor damage and possible mold growth, do not allow wet areas to remain around or under the dishwasher.
- 12 Protect your dishwasher from the elements. Protect against freezing to avoid possible damage to the fill valve. Damage caused by freezing is not covered by the warranty.

- 13 This appliance must be grounded. In the event of a malfunction or breakdown, grounding will reduce the risk of electric shock by providing a path of least resistance for electric current. This appliance is equipped with a cord having an equipment-grounding conductor.
- Improper connection of the equipment-grounding conductor can result in risk of electric shock. Check with a qualified electrician or service representative if you are in doubt whether the appliance is properly grounded.

State of California Proposition 65 Warnings:  
WARNING: This product contains one or more chemicals known to the State of California to cause cancer.  
WARNING: This product contains one or more chemicals known to the State of California to cause birth defects or other reproductive harm.

## Dishwasher Components



## Dishware Materials

*Note: Before using your dishwasher for the first time, check the information in this section. Some items are not dishwasher safe and should be hand washed; others require special loading.*

### Recommended

**Aluminum:** Colored anodized aluminum may fade over time. Minerals in your water may cause the aluminum to darken or spot. This can usually be removed with a soap-filled steel wool pad.

**China, Crystal, Stoneware:** Some hand-painted utensils may discolor, fade or spot. Hand wash these utensils. Position fragile glassware so that it will not topple over or come in contact with other utensils during the wash cycle.

**Glass:** Milk glass may discolor or become yellow.

**Non-stick Coatings:** Apply a light coating of vegetable oil to non-stick surfaces after drying.

**Plastics:** Make sure the plasticware is dishwasher safe.

**Stainless Steel, Sterling Silver and Silver Plates:** Load these so they do not come in contact with other metals.

### Not Recommended

**Acrylic:** crazing or small cracks throughout the acrylic, may occur.

**Adhesive-Joined Pieces:** Adhesives that join materials such as plastic, wood, bone, steel copper, tin, etc. may loosen.

**Bone-Handled Utensils:** Handles may separate.

**Iron:** Iron will rust. Hand wash and dry immediately.

**Non-Dishware Items:** Your dishwasher is intended for use in cleaning ONLY standard household dishware and kitchenware.

**Pewter, Brass, Bronze:** These items will tarnish. Hand wash and dry immediately.

**Tin:** Tin will stain. Hand wash and dry immediately.

**Wood:** Wooden bowls, wooden utensils and utensils with wooden handles can crack, warp and lose their finish.

## Loading the Dishwasher

Do not pre-wash items with loosely attached soiling. Remove all food particles, bones, toothpicks and excessive grease. Items having burned-on, baked-on or starchy soils may require some pretreatment. Refer to the Dishware Materials section for more information about dishware suitability.

Load only dishwasher safe items into the dishwasher. Load dishes in the dishwasher racks so the insides of bowls, pots and pans are facing the spray arms. Avoid nesting and contact points between dishes. Separate items of dissimilar metals.

## Loading the Top Rack

Ensure items do not protrude through the bottom of the racks and block the spray arms.

*Note: When pushing the top rack into the dishwasher, push it until it stops against the back of the tub so the top rack spray arm connects to the water supply at the back of the tub. Do not push racks in using the door.*

## Loading the Bottom Rack

Place large items in the bottom rack. Load pots, pans and bowls upside down. Do not block vent with tall baking sheets. Load these items on the left side of the dishwasher.

## Unloading the Dishwasher

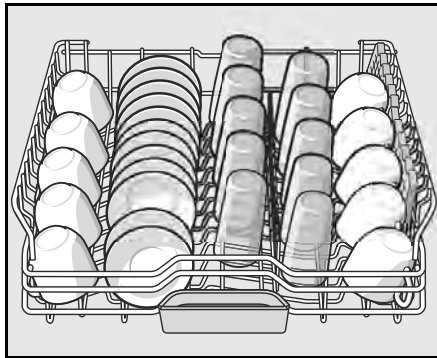
When unloading the dishwasher it is best to unload the bottom rack first. Next, unload the silverware basket followed by the top rack.

### NOTICE

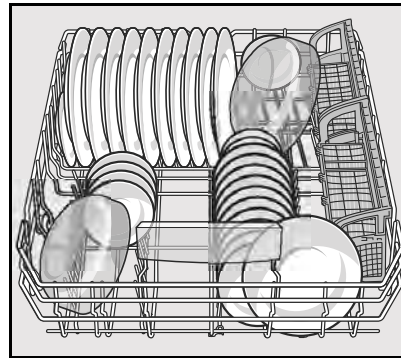
To avoid dishwasher damage, do not load the dishwasher with paper products, plastic bags, packing materials or anything other than normal, dishwasher safe dishware and kitchenware.

#### Suggested Loading Pattern

Top Rack

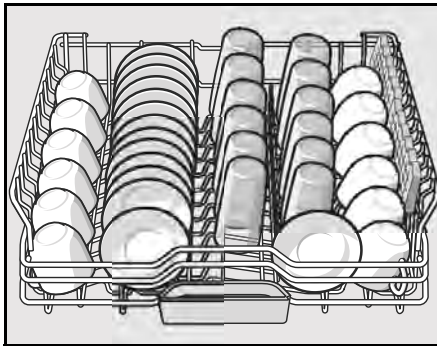


Bottom Rack

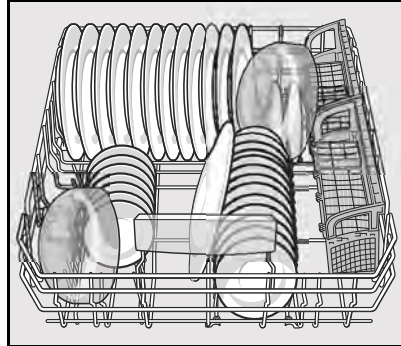


#### Additional Loading Pattern

Top Rack



Bottom Rack





## Loading the Silverware Basket

Place knives and sharp utensils with their HANDLES UP and forks and spoons with their handles down. If large or oddly-shaped items are loaded in the silverware basket, be sure they do not nest together.

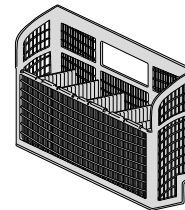


### WARNING

The sharp points and edges of knives and other sharp utensils can cause serious injury. Load knives and other sharp utensils with edges down. Do not allow children to handle or play near knives and sharp utensils.

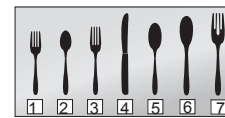
## The Long Silverware Basket

The long silverware basket fits along the side of the lower rack.



## Loading pattern for Long Silverware Basket

4	4	4	4	4	4	6	2	2	2	2	2	2	2	2	6	4	4	4	7	4	4	4
3	3	3	3	3	3	2	2	2	2	2	2	2	2	2	3	3	3	3	3	3		
1	1	1	1	1	1	2	2	2	2	2	2	2	2	2	1	1	1	1	1	1		



The basket lid may also be snapped to the handle in order to leave the basket open.

- 1- salad fork
- 2- teaspoon
- 3- dinner fork
- 4- knife
- 5 - tablespoon
- 6 - serving spoon
- 7 - serving fork

## Rack Accessories

### RackMatic® Adjustable Upper Rack

The top rack can be raised or lowered to accommodate large items in either rack. See Figure 1.

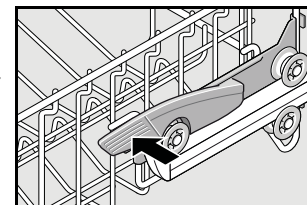
To lower the top rack:

- 1 Pull the empty top rack out of the dishwasher until it stops.
- 2 Press the RackMatic adjustable top rack handles inward and let the rack drop gently.

To raise the top rack:

- 1 Pull the empty top rack out of the dishwasher until it stops.
- 2 Grasp the top of the rack above the RackMatic handles and pull it upward until the handles lock the rack into position (you do not need to press the handles in order to raise the rack).

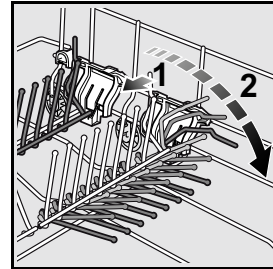
Figure 1



## Flip Tines

The racks consist of tines that can be folded down depending on what you may need to load in the rack. To fold down, grasp the folding tine and release from notch. Push folding tine downward to desired position as shown in Figure 2.

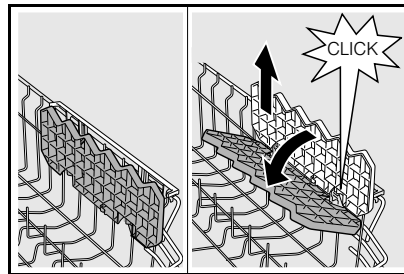
Figure 2



## Cup Shelves

The shelf and the space underneath can be used for small cups or for larger serving utensils.

Figure 3



## Adding Detergent and Rinse Aid

### Detergent

Use only detergent specifically designed for dishwashers. For best results, use fresh powdered dishwashing detergent or detergent tabs.

#### NOTICE

To avoid dishwasher damage, do not use hand dishwashing products in your dishwasher. ■

To avoid dishwasher damage, do not use too much detergent if your water is soft. Using too much detergent with soft water may cause etching in glassware.

This dishwasher uses less water than most, therefore, less detergent is required. With soft water, 1 tablespoon (15ml) of detergent will clean most loads. The detergent dispenser cup has lines that measure detergent to 1 tablespoon (15ml) and 2 tablespoons (25ml). 3 tablespoons (45ml) of detergent will completely fill the detergent dispenser.

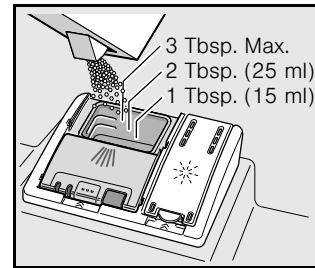
*Note: If you do not know the hardness of your water supply, use 1 tablespoon (15ml) of detergent. Increase the amount if necessary to the least amount required to get your kitchenware clean.*

Use the measuring lines in the detergent dispenser cup as a guide to measure the amount of detergent recommended in Table 1.

### Adding Detergent

- 1 tbsp (15ml) will clean most loads (see Figure 4).
- Do not use more than 3 tbsp (45ml).
- Do not over fill the detergent dispenser.
- When using detergent tabs, lay them such that they do not come in contact with the cover.

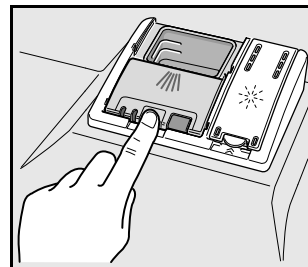
Figure 4



### To Close

- Place finger as shown in Figure 5.
- Slide door closed and press down firmly until it clicks.

Figure 5



### To Open

- To open the cover, push the button as shown in Figure 6. Cover will slide open.

Figure 6

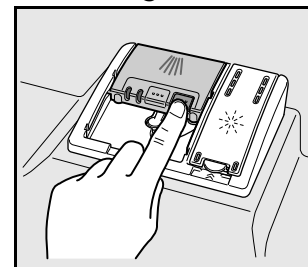


Table 1 - Recommended Detergent Amount

Wash Cycle	Hard Water/ Heavy Soil	Medium Water/ Medium Soil	Soft Water/ Little Soil
Pots & Pans	45ml (3tbsp)	45ml (3tbsp)	25-45ml (1.75-3tbsp)
Auto	25-45ml (1.75-3tbsp)	25ml (1.75tbsp)	15-25ml (1-1.75tbsp)
Normal	25-45ml (1.75-3tbsp)	25ml (1.75tbsp)	15-25ml (1-1.75tbsp)
Quick	25ml (1.75tbsp)	15-25ml (1-1.75tbsp)	15ml (1tbsp)

### Rinse Aid

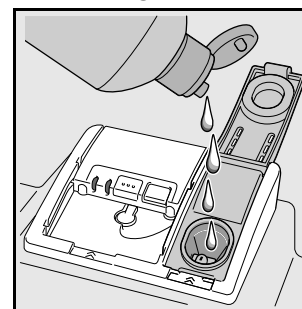
To achieve proper drying, always use a liquid rinse aid, even if your detergent contains a rinse aid or drying additive.

*Note: The dishwasher indicates low rinse aid by turning on the "Add Rinse Aid" indicator light. If this light is on, you need to refill the rinse aid dispenser by following the directions below.*

Add liquid rinse aid to the dispenser until it is full (see Figure 7). Wipe up any excess rinse aid that may puddle when the dispenser reservoir is full. Lid must be snapped fully closed in order to seal. The indicator light will go out a few moments after the dishwasher door is shut. See next page for instructions on how to adjust the amount of rinse aid dispensed.

*Note: Setting the rinse aid to "r:00" may increase cycle times.*

Figure 7



## Setting the amount of rinse aid

The amount of rinse aid dispensed can be set from "r:00" to "r:06".

To change the setting:

- 1 Press the [On/Off] button.
- 2 Hold down the "A" button (see page 13) and press [Start] until the display indicates "d:00". Release both buttons.
- 3 Press the "A" button until the display shows "r:05".
- 4 Press the "C" button to select the desired setting.

r:00 = dispenser is OFF      r:04 = medium/high setting

r:01 = lowest setting      r:05 = high setting

r:02 = low setting      r:06 = highest setting

r:03 = medium setting

- 5 Press [Start] to save the setting.

## Dishwasher Cycles and Options

### Wash Cycles

**Pots & Pans:** Best for cleaning items with baked-on food or grease. These dishes would normally require soaking.

**Auto:** With our most complex soil sensing capability, this cycle is perfect for use with mixed loads of dishware and varying amounts of food soil. This is the most flexible cycle and is a good choice for everyday use.

**Normal:** Thoroughly cleans a full load of normally soiled dishes.

*Note: The Energy Guide Label was based on this soil sensing cycle with all available options turned off. As prescribed in the energy test procedure, the unit was tested without any Rinse Aid in the Rinse Aid dispenser. A single dose of detergent was used in the Detergent Dispenser, with no detergent used in the prewash. The test was conducted with the upper rack in the highest position.*

**Quick:** Cleans lightly soiled dishes and reduces overall wash time.

### Wash Cycle Options

**Delay Start:** Allows you to delay the start time of your dishwasher up to 24 hours.

**Half Load:** The Half Load option can reduce the energy and water consumption when washing small, lightly soiled loads that fill approximately half of the dishwasher's capacity. To activate select the wash cycle, select the Half Load option and press Start.

**PowerBoost®:** Combines powerful water pressure with increased water temperature to deliver the ultimate in heavy duty washing performance throughout the dishwasher. PowerBoost is available in the Pots & Pans, Auto and Normal cycles. To activate, select the "PowerBoost" button in addition to any of the three cycles listed above.

**Extra Dry:** Used in combination with a wash cycle, the Extra Dry option raises the temperature and extends the drying time to further enhance drying results.

*Note: The dishwasher automatically defaults to Auto when turned off and back on. If you used the Extra Dry option in your last cycle, the dishwasher will default to Auto Wash with the Extra Dry option selected when you turn it on.*

## Wash Cycle Information

To save energy, this dishwasher has a "Smart Control" where the sensors in the dishwasher automatically adjust the cycle length, temperature and water changes based on the amount of food soil and the incoming water temperature. The "Smart Control" makes decisions that can cause the cycle time and water usage to adjust intermittently. Wash cycle times are based on 120°F water supply. If your household water supply is different than 120°F, your dishwasher's cycle times may be impacted.

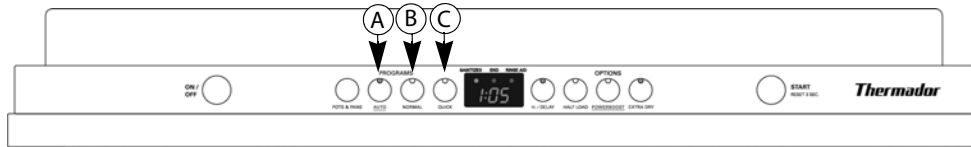
**Table 2 - Wash Cycle Information**

	Pots & Pans	Auto	Normal	Quick
cycle time	110-135 min	105-129 min	130-135 min	30 min
water consumption	18.6-24.2L 4.9-6.4 gal	13.1-24.5 L 3.5-6.5 gal	8.8-20.8 L 2.4-5.5 gal	10.5 L 2.8 gal
wash temperature	66-71°C 150-160°F	53-66°C 127-150°F	45-55°C 113-131°F	45°C 113°F
rinse temperature	72°C 162°F	67°C 153°F	69°C 156°F	50°C 122°F
<b>Half Load</b>				
cycle time	115 min	95-105 min	90-99 min	n/a
water consumption	17.9 L 4.8 gal	10.2-16.5 L 2.7-4.4 gal	10.8-13.9 L 2.8-3.7 gal	n/a
rinse temperature	72°C 162°F	70°C 158°F	72°C 162°F	n/a
<b>PowerBoost®</b>				
cycle time	125-145 min	120-145 min	145-150 min	n/a
water consumption	18.6-24.2 L 4.9-6.4 gal	13.1-24.5 L 3.5-6.5 gal	8.8-20.8 L 2.4-5.5 gal	n/a
rinse temperature	72°C 162°F	67°C 153°F	69-72°C 156-162°F	n/a
<b>ExtraDry</b>				
cycle time	130-150 min	125-150 min	135-155 min	60 min
water consumption	18.6-24.2 L 4.9-6.4 gal	13.1-24.5 L 3.5-6.5 gal	8.8-20.8 L 2.4-5.5 gal	10.5 L 2.8 gal
rinse temperature	72°C 162°F	72°C 162°F	72°C 162°F	72°C 162°F

Note: Only sanitizing cycles have been designed to meet the requirements of 6 for soil removal and sanitization efficacy. There is no intention, either directly or indirectly, to imply that all cycles have passed sanitization performance tests.

# Operating the Dishwasher

DWHD440MFM, DWHD440MFP, DWHD440MPR



NOTE: For models with hidden controls, the door must be opened before changing settings and closed after changing settings.

## Start the dishwasher

- 1 Press the [On/Off] button. The LED of the last selected cycle flashes.
- 2 Select a cycle and desired options.
- 3 Press [Start].

## Cancel a cycle

- 1 Press and hold the [Start] button for approximately 3 seconds until the display reads "0:01".
- 2 Wait about 1 minute while the dishwasher drains.
- 3 Open the door and press the [On/Off] button.

## Interrupt a cycle

- 1 Press the [On/Off] button to turn the unit off.
- 2 To resume the cycle, press the [On/Off] button again.

## Delay Start

You can delay the start of the cycle in one hour increments up to 24 hours.

To set delay start:

- 1 Press the [On/Off] button. Select a cycle.
- 2 Press the [Delay] button until the displayed time corresponds with your requirements.

h:01 = 1 hour delay

h:24 = 24 hour delay

- 3 Press [Start] to activate delay start.

To cancel delay start:

- 1 Press the [Delay] button until "h:00" is indicated on the digital display.
- 2 Press [Start] to save setting.

## Cycle Completion Signal

- 1 Open the door and press the [On/Off] button.
- 2 Hold down the "A" button (see above) and press [Start] until the display indicates "d:00". Release both buttons.
- 3 Press the "A" button until the display shows "b:02".
- 4 Press the "C" button to increase or decrease the tone "b:00" = OFF and "b:03" = LOUDEST
- 5 Press [Start] to save setting and close the door.

## Intensive Drying

The final rinse uses a higher temperature which improves the drying results. The running time may increase slightly.

To turn intensive drying on:

- 1 Press the [On/Off] button.
- 2 Hold down the "A" button (see page 13) and press [Start] until the display indicates "d:00". Release both buttons
- 3 Press the "A" button until the display shows "d:00".
- 4 Press the "C" button to turn intensive drying on or off. "d:01" = ON and "d:00" = OFF
- 5 Press [Start] to save setting.

## Auto Power Off

To save energy, the dishwasher is turned off 1 minute after the wash cycle ends. Auto Power Off can be adjusted from P:00 to P:02.

To change the factory setting (P:01):

- 1 Press the [On/Off] button.
- 2 Hold down the "A" button and press [Start] until the display indicates "d:00". Release both buttons.
- 3 Press the "A" button until the display indicates "P:01".
- 4 Press the "C" button until the display corresponds with your requirements.

P:00 = dishwasher does not turn off automatically

P:01 = dishwasher turns off automatically after 1 minute

P:02 = dishwasher turns off automatically after 120 minutes (2 hours)

- 5 Press [Start] to save the setting.

## InfoLight®

An LED illuminates the floor to indicate the unit is running. If the appliance is installed at eye-level, the LED is not visible.

To change the setting:

- 1 Open the door and press the [On/Off] button.
- 2 Hold down the "A" button (see page 13) and press [Start] until the display indicates "d:00".
- 3 Release both buttons.
- 4 Press the "A" button until the display shows "1:01".
- 5 Press the "C" button to switch between "1:01" = ON and "1:00" = OFF and press [Start] to save.

# Care and Maintenance

A regular inspection and maintenance of your machine will help to prevent faults. This saves time and prevents future problems.

## Overall condition of the machine

Never use a steam cleaner to clean your dishwasher. The manufacturer is not liable for any resulting damage.

Regularly wipe the front of the appliance with a damp cloth - water and a small amount of liquid soap is adequate. Do not use sponges as they could scratch the surfaces.

Stainless steel appliances: To prevent corrosion, do not use sponges.

Clean the outer edges of the inside door panel regularly to remove debris that may collect from normal loading. If spots begin to appear on the stainless steel, make sure the rinse agent is full and functioning properly.

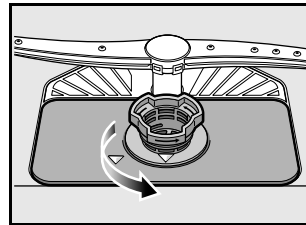
## Filters

The filter system consists of a coarse filter, a flat fine filter and a micro filter. The filters keep large foreign objects in the rinsing water away from the pump. Foreign objects may occasionally block the filters.

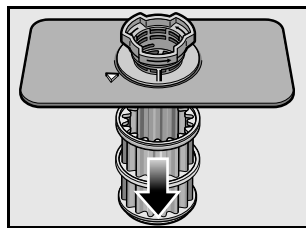
Check the filters for residue by:

- Unscrew the filter cylinder as illustrated in **Figure 8-9** and take out the filter system.
- Remove any residue and clean filters under running water.
- Reinstall filter system in reverse sequence and ensure that the arrow marks are facing each other after locking it into place.

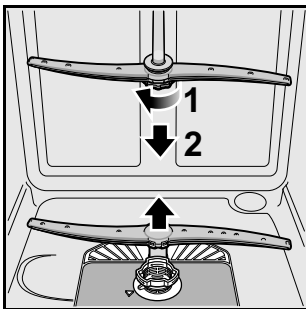
**Figure 8**



**Figure 9**



**Figure 10**



## Spray Arms

Check spray arms for grease and limescale deposits.

If you find such deposits:

- Fill detergent dispenser with detergent and start the appliance without utensils in the cycle with the highest rinsing temperature (see wash cycle information table).
- Clean the appliance with detergents/appliance cleaners which are particularly suitable for use with dishwashers.
- Unscrew the spray arms and inspect as shown in **Figure 10**.



### Waste water pump

Large food remnants in the rinsing water not retained by the filters may block the waste water pump.

Notice: Use caution when removing any blockage as items causing blockage may be sharp.

In this case:

- Disconnect the appliance from the power supply.
- Remove the filters.
- Scoop out standing water - use a sponge if necessary.
- Using a spoon, pry off the pump cover (see Figure 11-12) until it clicks, then grip the cover and pull upward until it resists and then pull forward.
- Check inner compartment and remove any foreign objects.
- Place cover in the original position, press down and engage.
- Reinstall filters.

Figure 11

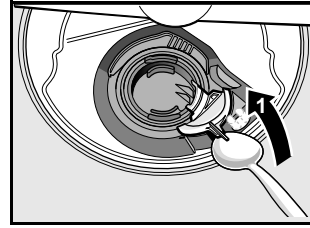
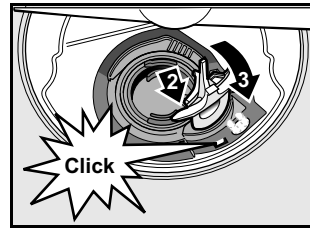


Figure 12



### Preparing your unit for vacation

Before leaving for vacation during warmer weather, besides turning off the main valve, also turn off water supply at the nearest point to the dishwasher. During colder weather, please follow the instructions for winterizing your unit below.

### Winterizing your unit

If your dishwasher will be unused for an extended period of time in a location that experiences freezing temperatures (holiday home or through a vacation period), have your dishwasher winterized by an authorized professional service.

# Self Help

Dishwashers may occasionally exhibit problems that are unrelated to a malfunction of the dishwasher itself. The following information may help you with a dishwasher problem without involving a repair professional.

Problem	Cause	Action
Dishwasher does not start	<ol style="list-style-type: none"> <li>1. Door may not be properly latched</li> <li>2. Unit may not be turned on</li> <li>3. Unit not reset or previous cycle not completed</li> <li>4. Delay start engaged</li> <li>5. Interruption of electrical power supply to dishwasher or blown fuse.</li> <li>6. The door may have been closed without first selecting a cycle</li> <li>7. Water supply may not be turned on</li> </ol>	<ol style="list-style-type: none"> <li>1. Shut the door completely until you hear a click</li> <li>2. Press the main power switch to turn unit on</li> <li>3. Instructions on how to reset in this manual</li> <li>4. To reset, refer to "Delay Start" section in this manual</li> <li>5. Check circuit breaker</li> <li>6. Select a cycle and close the door.</li> <li>7. Check and turn on water supply</li> </ol>
Display does not illuminate	<ol style="list-style-type: none"> <li>1. A fuse may have been blown or circuit breaker tripped</li> <li>2. Door not closed or latched</li> </ol> <p>Note: For models with controls on top of the door, the display only illuminate when the door is opened and controls are visible.</p>	<ol style="list-style-type: none"> <li>1. Check the fuse or circuit breaker box and replace the fuse or reset the breaker if necessary</li> <li>2. Ensure door is properly latched and completely closed</li> </ol>
Dishwasher seems to run a long time	<ol style="list-style-type: none"> <li>1. Incoming water is not warm enough</li> <li>2. Cycle time can vary due to soil and water conditions</li> <li>3. Rinse aid dispenser is empty</li> <li>4. Dishwasher connected to cold water supply</li> </ol> <p>Note: Refer to "Wash Cycle Information" section in this manual for typical cycle lengths</p>	<ol style="list-style-type: none"> <li>1. Before starting a cycle, run hot water faucet at the sink closest to the dishwasher</li> <li>2. Sensors in the dishwasher automatically increase the cycle time to ensure a good wash when heavy soil is detected</li> <li>3. Add rinse aid</li> <li>4. Verify dishwasher is connected to hot water supply plumbing</li> </ol>

<b>Problem</b>	<b>Cause</b>	<b>Action</b>
Dishes are not getting clean enough	<ol style="list-style-type: none"> <li>1. Spray arm movement obstructed</li> <li>2. Spray arm nozzles clogged</li> <li>3. Improper use of detergents</li> <li>4. Filters could be clogged</li> <li>5. Dishes are nested or loaded too close together</li> <li>6. Selected wash cycle is not suitable for food soil conditions</li> </ol>	<ol style="list-style-type: none"> <li>1. Ensure that spray arm movement is not blocked by hand rotating spray arms before starting cycle</li> <li>2. Remove the spray arms and clean according to the "Care and Maintenance" section of the manual</li> <li>3. Increase or decrease detergent depending on the water hardness (refer to Table 1)</li> <li>4. Clean the filters according to the "Care and Maintenance" section of the manual</li> <li>5. Rearrange load such that water spray can reach all items in the dishwasher - see "Loading the Dishwasher" section of the manual</li> <li>6. Refer to "Wash Cycle Information" section of the manual</li> </ol>
Streaks on glassware or residue on the dishes	<ol style="list-style-type: none"> <li>1. Incorrect rinse aid setting</li> </ol>	<ol style="list-style-type: none"> <li>1. Depending on the hardness of water, adjust the rinse agent dispenser. Refer to "Adding Detergent and Rinse Aid" section in the manual</li> </ol>
Dishes are not getting dry enough	<ol style="list-style-type: none"> <li>1. Rinse aid dispenser is empty</li> <li>2. Improper loading of dishes</li> </ol> <p>Note: Plastic or Teflon do not typically dry as well as other items due to their inherent properties</p>	<ol style="list-style-type: none"> <li>1. Add rinse aid - the use of rinse agent improves drying</li> <li>2. Rearrange load to ensure items are not nesting (see "Loading the Dishwasher" section of the manual)</li> </ol> <p>Note: Select models offer an extra heating option to improve drying performance.</p>
Odor	<ol style="list-style-type: none"> <li>1. Food debris is present at the bottom of the dishwasher</li> <li>2. Food particles are present near the door seal</li> <li>3. Residual water is present at the bottom of the dishwasher</li> <li>4. Drain hose is obstructed</li> </ol>	<ol style="list-style-type: none"> <li>1. Remove the filters and clean according to the "Care and Maintenance" section on of the manual</li> <li>2. Refer to "Care and Maintenance" section of the manual</li> <li>3. Ensure the unit has completely drained from the last cycle</li> <li>4. Remove any obstructions from the drain hose by calling qualified personnel.</li> </ol> <p>Note: If odor still persists, run the Normal/Regular cycle until it flushes and interrupt the cycle and place an 8oz. cup of distilled white vinegar solution on the top rack and then finish the cycle.</p>

<b>Problem</b>	<b>Cause</b>	<b>Action</b>
Dishwasher not filling with water or "Check water supply" display lights up	<ol style="list-style-type: none"> <li>1. Restriction in the water supply system</li> <li>2. Previous wash cycle was not completed</li> <li>3. Delay start is active</li> <li>4. Household water supply turned off</li> </ol>	<ol style="list-style-type: none"> <li>1. Ensure that the water supply valve (typically located under kitchen sink) is open and check that the water supply line has no kinks or clogs</li> <li>2. Refer to the "Operating the Dishwasher" section of the manual.</li> <li>3. Cancel the delay start or wait until delay start time completes</li> <li>4. Turn on water supply</li> </ol>
Fascia panel discolored or marked	<ol style="list-style-type: none"> <li>1. Abrasive cleaner used</li> </ol>	<ol style="list-style-type: none"> <li>1. Use mild detergents with soft damp cloth</li> </ol>
Water leaks	<ol style="list-style-type: none"> <li>1. Suds</li> <li>2. Door seal could be pulled away from track</li> <li>3. Condensation vent is blocked</li> <li>4. Improper installation</li> </ol>	<ol style="list-style-type: none"> <li>1. Wrong type of detergent results in suds and leaks - use only dishwasher detergents. If suds still persist, add one tablespoon of vegetable oil at the bottom of the dishwasher and run the desired cycle.</li> <li>2. Ensure the door seal is in the track</li> <li>3. Ensure that condensation vent is not blocked</li> <li>4. Have proper installation verified by qualified personnel (water supply, drain system, leveling, plumbing)</li> </ol>
Tub stains	<ol style="list-style-type: none"> <li>1. Stains on the dishwasher interior are due to water hardness</li> <li>2. Silverware in contact with tub</li> </ol>	<ol style="list-style-type: none"> <li>1. Concentrated lemon juice can reduce the build up of hard water stains. Run Normal cycle until it flushes and interrupt the cycle and then place an 8oz. cup of the concentrated lemon solution on the top rack and finish the cycle. This can be done periodically to avoid build up.</li> <li>2. Ensure that silverware does not make contact with the tub while running a cycle.</li> </ol>
Noise during wash cycle	<ol style="list-style-type: none"> <li>1. Dishes may not be arranged properly</li> </ol>	<ol style="list-style-type: none"> <li>1. Water circulation sound is normal, but if you suspect items are banging into each other or into the spray arms, refer to the "Loading the Dishwasher" section of the manual for optimal arrangement.</li> </ol>

Problem	Cause	Action
Detergent dispenser cover will not shut	1. Improper operation of detergent cover 2. Previous cycle has not been finished or cycle was interrupted	1. Refer to "Adding Detergent and Rinse Aid" section of the manual for instructions on opening and closing the dispenser 2. Refer to the "Operating the Dishwasher" section of the manual
Unable to select desired cycle	1. Previous cycle has not finished	1. Refer to the "Operating the Dishwasher" section of the manual

## Customer Service

Your Thermador® dishwasher requires no special care other than that described in the Care and Maintenance section of this manual. If you are having a problem with your dishwasher, before calling for service please refer to the Self Help section of the manual. If service is necessary, contact your dealer or installer or an authorized service center. Do not attempt to repair the appliance yourself. Any work performed by unauthorized personnel may void the warranty.

If you are having a problem with your Thermador dishwasher and are not pleased with the service you have received, please take the following steps until the problem is corrected to your satisfaction:

- 1 Call us at 1-800-735-4328
- 2 Contact Customer Service from our web site:  
[www.thermador.com](http://www.thermador.com) (USA) or [www.thermador.ca](http://www.thermador.ca) (Canada)
- 3 Contact your installer or the Thermador Authorized Service Contractor in your area.

Please be sure to include your model information as well as an explanation of the problem and the date it started. You will find the model and serial number information on the label located on the edge of the dishwasher door. Please make a copy of your invoice and keep it with this manual. The customer must show proof of purchase to obtain warranty service.



## Statement of Limited Product Warranty

What this Warranty Covers & Who it Applies to: The limited warranty provided by BSH Home Appliances Corporation ("BSH") in this Statement of Limited Product Warranty applies only to Thermador® dishwashers ("Product") sold to you, the first using purchaser, provided that the Product was purchased: (1) for your normal, household (non-commercial) use, and has in fact at all times only been used for normal household purposes; (2) new at retail (not a display, "as is", or previously returned model), and not for resale, or commercial use; and (3) within the United States or Canada, and has at all times remained within the country of original purchase. The warranties stated herein apply only to the first purchaser of the Product and are not transferable.

- Please make sure to return your registration card; while not necessary to effectuate warranty coverage, it is the best way for BSH to notify you in the unlikely event of a safety notice or product recall.

**How Long the Warranty Lasts:** BSH warrants that the Product is free from defects in materials and workmanship for a period of seven hundred thirty (730) days (i.e., 2 years) from the date of purchase. The foregoing timeline begins to run upon the date of purchase, and shall not be stalled, tolled, extended, or suspended, for any reason whatsoever. Labor and shipping costs are included in this basic coverage.

**Extended Limited Warranty:** BSH also provides these additional limited warranties:

- **5 Year Limited Warranty on Electronics:** BSH will repair or replace any Thermador® microprocessor or printed circuit board if it proves to be defective in materials or workmanship (excludes labor charges).
- **5 Year Limited Warranty on Dish Racks:** BSH will replace the upper or lower dish rack (excluding rack components), if the rack proves defective in materials or workmanship (excludes labor charges).
- **Lifetime Warranty against Stainless Steel Rust Through:** BSH will replace your dishwasher with the same model or a current model that is substantially equivalent or better in functionality, if the inner liner should rust through (excludes labor charges). BSH will replace the stainless steel door if the door should rust through (excludes labor charges).

The foregoing timeline begins to run upon the date of purchase, and shall not be stalled, tolled, extended, or suspended, for any reason whatsoever.

**Repair/Replace as Your Exclusive Remedy:** During this warranty period, BSH or one of its authorized service providers will repair your Product without charge to you (subject to certain limitations stated herein) if your Product proves to have been manufactured with a defect in materials or workmanship. If reasonable attempts to repair the Product have been made without success, then BSH will replace your Product (upgraded models may be available to you, in the sole discretion of BSH, for an additional charge). All removed parts and components shall become the property of BSH at its sole option. All replaced and/or repaired parts shall assume the identity of the original part for purposes of this warranty and this warranty shall not be extended with respect to such parts. The sole liability and responsibility of BSH hereunder is to repair manufacturer-defective Product only, using a BSH authorized service provider during normal business hours. For safety and property damage concerns, BSH highly recommends that you do not attempt to repair the Product yourself, or use an un-authorized servicer; BSH will have no responsibility or liability for repairs or work performed by a non-authorized servicer. If you choose to have someone other than an authorized service provider work on your Product, THIS WARRANTY WILL AUTOMATICALLY BECOME NULL AND VOID. Authorized service providers are those persons or companies that have been specially trained on Thermador® products, and who possess, in the opinion of BSH, a superior reputation for customer service and technical ability (note that they are independent entities and are not agents, partners, affiliates or representatives of BSH). Notwithstanding the foregoing, BSH will not incur any liability, or have responsibility, for the Product if it is located in a remote area (more than 100 miles from an authorized service provider) or is reasonably inaccessible, hazardous, threatening, or treacherous locale, surroundings, or environment; in any such event, if you request, BSH would still pay for labor and parts and ship the parts to the nearest authorized service provider, but you would still be fully liable and responsible for any travel time or other special charges by the service company, assuming they agree to make the service call.

**Out of Warranty Product:** BSH is under no obligation, at law or otherwise, to provide you with any concessions, including repairs, pro-rates, or Product replacement, once this warranty has expired.

**Warranty Exclusions:** The warranty coverage described herein excludes all defects or damage that are not the direct fault of BSH, including without limitation, one or more of the following: (1) use of the Product in anything other than its normal, customary and intended manner (including without limitation, any form of commercial use, use or storage of an indoor product outdoors, use of the Product in conjunction with air or water-going vessels); (2) any party's willful misconduct, negligence, misuse, abuse, accidents, neglect, improper operation, failure to maintain, improper or negligent installation, tampering, failure to follow operating instructions, mishandling, unauthorized service (including self-performed "fixing" or exploration of the appliance's internal workings); (3) adjustment, alteration or modification of any kind; (4) a failure to comply with any applicable state, local, city, or county electrical, plumbing and/or building codes, regulations, or laws, including failure to install the product in strict conformity with local fire and building codes and regulations; (5) ordinary wear and tear, spills of food, liquid, grease accumulations, or other substances that accumulate on, in, or around the Product; and (6) any external, elemental and/or environmental forces and factors, including without limitation, rain, wind, sand, floods, fires, mud slides, freezing temperatures, excessive moisture or extended exposure to humidity, lightning, power surges, structural failures surrounding the appliance, and acts of God. In no event shall BSH have any liability or responsibility whatsoever for damage to surrounding property, including cabinetry, floors, ceilings, and other structures or objects around the Product. Also excluded from this warranty are scratches, nicks, minor dents, and cosmetic damages on external surfaces and exposed parts; Products on which the serial numbers have been altered, defaced, or removed; service visits to teach you how to use the Product, or visits where there is nothing wrong with the Product; correction of installation problems (you are solely responsible for any structure and setting for the Product, including all electrical, plumbing or other connecting facilities, for proper foundation/flooring, and for any alterations including without limitation cabinetry, walls, floors, shelving, etc.); and resetting of breakers or fuses.

TO THE EXTENT ALLOWED BY LAW, THIS WARRANTY SETS OUT YOUR EXCLUSIVE REMEDIES WITH RESPECT TO PRODUCT, WHETHER THE CLAIM ARISES IN CONTRACT OR TORT (INCLUDING STRICT LIABILITY, OR NEGLIGENCE) OR OTHERWISE. THIS WARRANTY IS IN LIEU OF ALL OTHER WARRANTIES, WHETHER EXPRESS OR IMPLIED. ANY WARRANTY IMPLIED BY LAW, WHETHER FOR MERCHANTABILITY OR FITNESS FOR A PARTICULAR PURPOSE, OR OTHERWISE, SHALL BE EFFECTIVE ONLY FOR THE PERIOD THAT THIS EXPRESS LIMITED WARRANTY IS EFFECTIVE. IN NO EVENT WILL THE MANUFACTURER BE LIABLE FOR CONSEQUENTIAL, SPECIAL, INCIDENTAL, INDIRECT, "BUSINESS LOSS", AND/OR PUNITIVE DAMAGES, LOSSES, OR EXPENSES, INCLUDING WITHOUT LIMITATION TIME AWAY FROM WORK, HOTELS AND/OR RESTAURANT MEALS, REMODELLING EXPENSES IN EXCESS OF DIRECT DAMAGES WHICH ARE DEFINITELY CAUSED EXCLUSIVELY BY BSH, OR OTHERWISE. SOME STATES DO NOT ALLOW THE EXCLUSION OR LIMITATION OF INCIDENTAL OR CONSEQUENTIAL DAMAGES, AND SOME STATES DO NOT ALLOW LIMITATIONS ON HOW LONG AN IMPLIED WARRANTY LASTS, SO THE ABOVE LIMITATIONS MAY NOT APPLY TO YOU. THIS WARRANTY GIVES YOU SPECIFIC LEGAL RIGHTS, AND YOU MAY ALSO HAVE OTHER RIGHTS WHICH VARY FROM STATE TO STATE. No attempt to alter, modify or amend this warranty shall be effective unless authorized in writing by an officer of BSH.

**How to Obtain Warranty Service:** To obtain warranty service for your product, you should contact the nearest BSH authorized service center, or call 1-800-735-4328.









Très cher client, très chère cliente de Thermador®,

Bienvenue dans la grande famille Thermador® et félicitations pour votre achat d'un tout nouveau lave-vaisselle Thermador® ! Nos ingénieurs allemands travaillent sans relâche pour concevoir des appareils pratiquement silencieux d'une qualité exceptionnelle qui utilisent efficacement les ressources nécessaires. Nous savons que vous serez satisfait(e) de votre achat. Pour des réponses rapides à des questions fréquentes, veuillez consulter le Guide de référence rapide compris avec ce manuel.

Pour d'autres appareils Thermador® de qualité, visitez notre site Web à l'adresse :

[www.thermador.com](http://www.thermador.com) (USA)

or

[www.thermador.ca](http://www.thermador.ca) (Canada)

Pendant que vous visitez notre site, n'oubliez pas d'enregistrer votre nouveau lave-vaisselle en cliquant sur le lien du Soutien à la clientèle ou en remplissant la carte d'enregistrement du produit incluse avec votre nouvelle unité.

Si vous avez des questions ou des commentaires, veuillez nous contacter au : 1-800-735-4328

ou écrivez-vous à :

*BSH Home Appliances Corporation  
1901 Main Street  
Irvine, CA 92614*

#### Table des matières

Consignes de sécurité importantes.....	3-5
Composants du lave-vaisselle.....	5
Matériaux du lave-vaisselle.....	6
Chargement du lave-vaisselle.....	6-7
Chargement du panier à couverts.....	8
Accessoires des paniers.....	8-9
Ajout de détergent et d'agent de rinçage.....	9-11
Programmes et options du lave-vaisselle.....	11
Informations sur les programmes de lavage.....	12
Fonctionnement du lave-vaisselle.....	13-14
Nettoyage et entretien.....	15-16
Aide automatique.....	17-20
Service après-vente.....	21
Informations concernant la garantie.....	22-23

## Consignes de sécurité importantes: Veuillez lire et conserver ces informations



### AVERTISSEMENT

Une mauvaise utilisation du lave-vaisselle peut entraîner des blessures graves ou la mort. Ne pas utiliser le lave-vaisselle d'une manière qui n'est pas traitée dans le présent guide ou à des fins autres que celles qui sont expliquées dans les pages qui suivent.

Des dommages au produit et/ou blessures graves peuvent survenir par suite de l'emploi de techniciens en entretien et en réparation non qualifiés ou de pièces de rechanges qui ne sont pas d'origine. Toutes les réparations doivent être effectuées par un technicien en entretien et en réparation qualifié qui utilise des pièces de rechange du fabricant de l'équipement d'origine.

Un choc électrique ou un incendie peut résulter de l'installation inexacte de l'alimentation électrique du lave-vaisselle traité dans le présent guide ou d'une mauvaise mise à la terre du lave-vaisselle. Ne pas utiliser le lave-vaisselle traité dans le présent guide à moins d'être certain que l'alimentation électrique a été correctement installée ou que le lave-vaisselle a été correctement mis à la terre.

Ne jamais nettoyer votre lave-vaisselle avec des produits chimiques puissants. Certains produits contenant des chlorures peuvent endommager votre lave-vaisselle et poser des risques pour la santé !

Seuls les programmes sanitaires sont prévus pour satisfaire aux exigences de niveau 6 en matière d'efficacité d'élimination des saletés et de désinfection. Il n'existe aucune intention, directe ou indirecte, que tous les programmes aient réussi les tests de performance en désinfection.

### AVIS

Ne jamais nettoyer votre lave-vaisselle avec des produits de nettoyage à la vapeur. Le fabricant n'assume aucune responsabilité pour d'éventuels dommages ou conséquences.

Il est vivement recommandé à l'utilisateur final de se familiariser avec les procédures de fermeture de l'alimentation d'eau entrante et de coupure de l'alimentation électrique entrante. Reportez-vous aux instructions d'installation ou communiquez avec votre installateur pour de plus amples renseignements.

Les lave-vaisselles certifiés NSF/ANSI 184 ne sont pas conçus pour les établissements alimentaires autorisés.



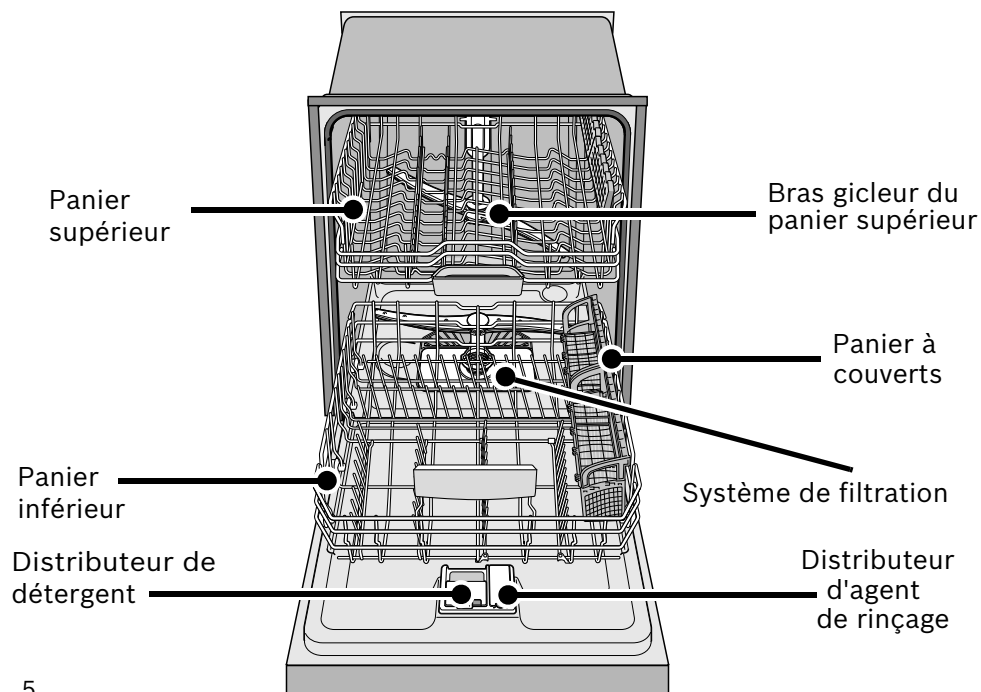
**AVERTISSEMENT : Pour réduire le risque d'incendie, de choc électrique ou de blessure grave, respectez les consignes suivantes :**

- 1 Ce lave-vaisselle est fourni avec les instructions d'installation et le présent guide d'utilisation et d'entretien. Lire et comprendre toutes les instructions avant de faire fonctionner le lave-vaisselle.
- 2 Cet appareil doit être mis à la terre sur une installation de fils à demeure en métal ou un conducteur de protection doit être relié aux fils conducteurs et raccordé à la borne ou au fil de mise à la terre du lave-vaisselle. Consulter les instructions d'installation fournies avec ce lave-vaisselle pour de plus amples renseignements sur les conditions requises pour l'alimentation en électricité.
- 3 Utiliser uniquement ce lave-vaisselle conformément à l'usage auquel il est destiné, à savoir pour laver la vaisselle et la batterie de cuisine de ménage.
- 4 Utiliser uniquement des détergents ou des produits de rinçage recommandés pour l'usage en lave-vaisselle et les conserver hors de la portée des enfants.
- 5 Lors du chargement des articles dans le lave-vaisselle :
  - Disposer les articles coupants de sorte à ce qu'ils ne puissent pas endommager le joint de porte.
  - Placer les couteaux et autre ustensiles tranchants le MANCHE VERS LE HAUT pour réduire le risque de blessure par coupure.
  - Ne pas laver d'articles en plastique à moins qu'ils ne soient identifiés par la mention « lavable au lave-vaisselle » ou l'équivalent.
  - Ne pas faire fonctionner votre lave-vaisselle à moins que tous les panneaux protecteurs ne soient en place.
  - Ne pas altérer ni neutraliser les commandes et dispositifs de verrouillage.
- 6 Ne pas utiliser abusivement, s'asseoir ou se tenir debout sur la porte ou les paniers à vaisselle du lave-vaisselle.
- 7 Pour réduire le risque de blessures, empêcher les enfants de jouer à l'intérieur ou sur le lave-vaisselle.
- 8 Lorsque les enfants sont en âge de faire fonctionner l'appareil, les parents ou tuteurs légaux ont la responsabilité légale de s'assurer qu'ils ont été initiés aux pratiques sécuritaires par des personnes qualifiées.
- 9 Dans certaines conditions, de l'hydrogène peut se former à l'intérieur d'un système de production d'eau chaude qui n'a pas été utilisé pendant deux semaines ou plus. L'hydrogène est un gaz explosif. Avant d'utiliser un lave-vaisselle qui est relié à un système de production d'eau chaude inactif depuis deux semaines ou plus, ouvrir tous les robinets d'eau chaude et laisser l'eau couler pendant quelques minutes. Ceci aura pour effet de libérer l'hydrogène accumulé à l'intérieur du système. Ne pas fumer et ne pas utiliser de flamme nue pendant cette opération.

- 10 Enlever la porte du compartiment de lavage d'un ancien lave-vaisselle que vous devez déposer pour réparation ou mise au rebut.
- 11 Afin d'éviter d'endommager le plancher et la formation éventuelle de moisissures, ne laissez aucune trace d'eau sur le sol adjacent au lave-vaisselle ou sous ce dernier.
- 12 Protégez votre lave-vaisselle des éléments. Protégez-le contre le gel afin d'éviter les dommages éventuels au robinet de remplissage. Les dommages causés par le gel ne sont pas couverts par la garantie.
- 13 Cet appareil doit être mis à la terre. En cas de fonctionnement défectueux ou de panne, la mise à la terre réduit les risques de choc électrique en fournissant un trajet de moindre résistance au courant. Cet appareil est équipé d'un cordon d'alimentation avec un conducteur de mise à la terre d'équipement.
  - Un mauvais raccordement du conducteur de mise à la terre d'équipement peut entraîner un risque de choc électrique. En cas de doute quant à la mise à la terre adéquate de l'appareil, communiquez avec un électricien ou un technicien en réparation qualifié.

**AVERTISSEMENTS DE LA PROPOSITION 65 DE L'ÉTAT DE LA CALIFORNIE :**  
AVERTISSEMENT : Cet appareil contient un ou plusieurs produits chimiques qui, selon l'État de la Californie, peuvent causer le cancer.  
AVERTISSEMENT : Cet appareil contient un ou plusieurs produits chimiques qui, selon l'État de la Californie, peuvent causer des malformations ou d'autres problèmes congénitaux.

## Composants du lave-vaisselle



## Matériaux du lave-vaisselle

*Remarque : avant d'utiliser votre lave-vaisselle pour la première fois, vérifier les informations figurant dans cette section. Certains articles ne sont pas lavables au lave-vaisselle et doivent être lavés à la main ; d'autres nécessitent un chargement spécial.*

### Matériaux recommandés

**Aluminium** : l'aluminium anodisé coloré peut s'altérer au fil du temps. Les minéraux présents dans l'eau peuvent noircir ou tacher l'aluminium. Ceci se nettoie généralement à l'aide d'un tampon de laine d'acier savonneux.

**Porcelaine, cristal, faïence** : certains ustensiles peints à la main peuvent se décolorer, s'altérer ou se tacher. Laver ces ustensiles à la main. Placer la verrerie fragile de façon à ce qu'elle ne se renverse pas ou qu'elle n'entre pas en contact avec d'autres ustensiles pendant le déroulement du programme de lavage.

**Verrerie** : le verre laiteux risque de se décolorer ou de jaunir.

**Finis anti-adhésifs** : appliquer une légère quantité d'huile végétale sur les surfaces anti-adhésives après le séchage.

**Plastique** : s'assurer que les articles en plastique sont lavables au lave-vaisselle.

**Acier inoxydable, argent fin et métaux argentés** : charger ce type d'articles de sorte à ce qu'ils n'entrent pas en contact avec d'autres métaux.

### Non recommandé

**Acrylique** : des craquelures (petites fissures) peuvent apparaître sur l'acrylique.

**Pièces collées** : les adhésifs utilisés pour le collage des objets en plastique, bois, os, acier, cuivre, fer blanc, etc. risquent de ne pas tenir.

**Ustensiles avec manches en os** : les manches risquent de se décoller.

**Fer** : le fer se rouille. Laver à la main et sécher immédiatement.

**Articles autres que la vaisselle** : votre lave-vaisselle est conçu UNIQUEMENT pour le lavage de la vaisselle et de la batterie de cuisine de ménage standard.

**Étain, laiton, bronze** : ces matériaux auront tendance à ternir. Laver à la main et sécher immédiatement.

**Fer blanc** : le fer blanc aura tendance à se tacher. Laver à la main et sécher immédiatement.

**Bois** : les bols et les ustensiles en bois et les ustensiles avec manches en bois peuvent se fissurer, se déformer et perdre leur fini.

## Chargement du lave-vaisselle

Ne pas laver au préalable les articles comportant des saletés peu adhérentes. Enlever les particules d'aliments, les os, les cure-dents et la graisse excessive. Il sera peut-être nécessaire de traiter préalablement la vaisselle comportant des saletés brûlées, collées ou farineuses. Consulter la section Matériaux de la vaisselle pour de plus amples renseignements sur l'adaptation de la vaisselle.

Charger uniquement les articles lavables au lave-vaisselle. Charger la vaisselle dans les paniers de sorte à orienter l'intérieur des bols, marmites et casseroles vers les bras gicleurs. Éviter que les articles ne s'emboîtent les uns dans les autres et éviter qu'ils ne se touchent. Séparer les articles de métal différent.

## Chargement du panier supérieur

S'assurer que les articles ne dépassent pas du fond des paniers et qu'ils ne bloquent pas les bras gicleurs.

Remarque : lorsque vous poussez le panier supérieur à l'intérieur du lave-vaisselle, faites en sorte qu'il bute contre la paroi arrière de la cuve afin que le bras gicleur du panier supérieur se branche sur la conduite d'alimentation d'eau à l'arrière de la cuve. Ne pas pousser les paniers avec la porte.

## Chargement du panier inférieur

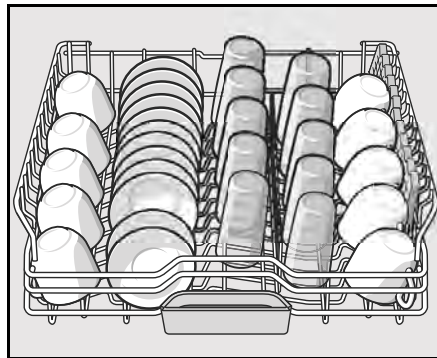
Disposer les articles volumineux dans le panier inférieur. Charger les marmites, casseroles et bols à l'envers. Ne pas bloquer l'évent du lave-vaisselle avec les grandes tôles à biscuits. Chargez ces articles du côté gauche du lave-vaisselle.

### AVIS

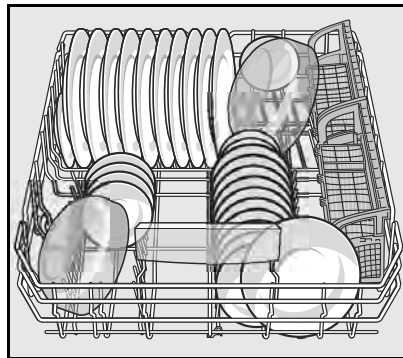
Pour éviter d'endommager le lave-vaisselle, ne pas charger d'articles en papier, sacs en plastique, matériaux d'emballage ou d'articles autres que la vaisselle et les ustensiles de cuisine normaux lavables au lave-vaisselle.

#### Configuration de chargement suggérée

Panier supérieur

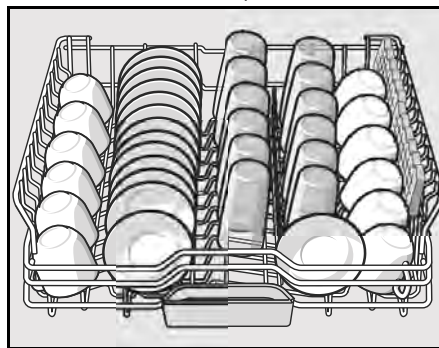


Panier inférieur

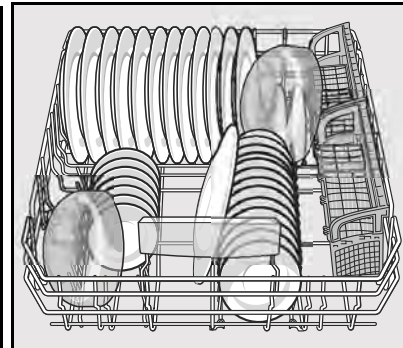


#### Configuration de chargement supplémentaire

Panier supérieur



Panier inférieur





## Chargement du panier à couverts

Disposer les couteaux et ustensiles tranchants le MANCHE VERS LE HAUT et les fourchettes et cuillers le manche vers le bas. Si vous mettez des articles volumineux ou de forme irrégulière dans le panier à couverts, assurez-vous qu'ils ne s'emboîtent pas les uns dans les autres.



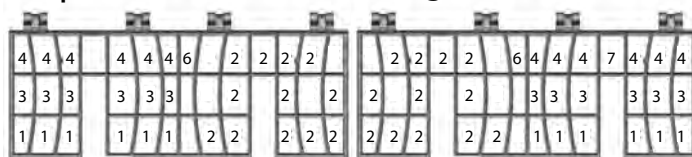
### AVERTISSEMENT

Les pointes et lames tranchantes des couteaux et autres types d'ustensiles tranchants peuvent occasionner des blessures graves. Ne pas laisser les enfants manier les couteaux et autres ustensiles tranchants ou jouer à proximité.

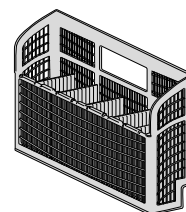
### Le panier à couverts long

Le panier à couverts standard s'adapte le coté du panier inférieur.

### Le panier à couverts Long



Le couvercle du panier peut également être enclenché par pression sur l'anse pour que le panier reste ouvert.



- 1- fourchette à salade
- 2- cuiller à thé
- 3- fourchette de table
- 4- couteau
- 5- cuiller à soupe
- 6- cuiller à servir
- 7- fourchette de

## Accessoires des paniers

### RackMatic® Panier supérieur à hauteur réglable

Le panier supérieur peut être relevé ou abaissé pour laisser davantage d'espace aux articles de grande taille dans l'un ou l'autre des paniers. Voir la Figure 1.

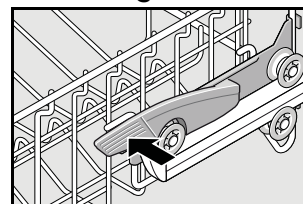
Pour abaisser le panier supérieur :

- 1 Tirez le panier supérieur hors du lave-vaisselle jusqu'à la butée.
- 2 Appuyez sur les poignées du panier supérieur à hauteur réglable vers l'intérieur et laissez tomber le panier doucement.

Pour relever le panier supérieur :

- 1 Tirez le panier supérieur hors du lave-vaisselle jusqu'à la butée.
- 2 Saisissez la partie supérieure du panier, au-dessus des poignées du panier, et poussez celle-ci vers le haut jusqu'à ce que les poignées bloquent le panier en position (il n'est pas nécessaire d'appuyer sur les poignées pour soulever le panier).

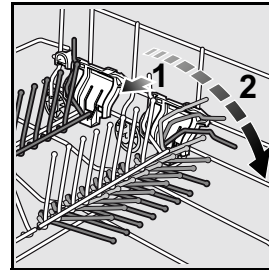
Figure 1



## Picots rabattables

Les paniers comportent des picots qui peuvent être repliés en fonction des articles devant être placés dans le lave-vaisselle. Pour rabattre un picot, saisissez-le et dégagez-le de l'encoche. Poussez-le vers le bas pour le mettre dans la position voulue comme indiqué à la Figure 2.

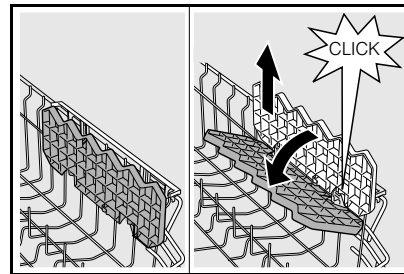
Figure 2



## Tablettes tasse

La plate-forme et l'espace en dessous peut être utilisé pour de petites tasses ou ustensiles de service pour les plus grands.

Figure 3



## Ajout de détergent et d'agent de rinçage

### Détergent

Utiliser uniquement un détergent spécialement conçu pour les lave-vaisselle. Pour de meilleurs résultats, utiliser un détergent pour lave-vaisselle en poudre frais.

### AVIS

Pour éviter d'endommager le lave-vaisselle, ne pas utiliser de détergent pour le lavage de la vaisselle à la main.

Pour éviter d'endommager le lave-vaisselle, ne pas utiliser trop de détergent si vous disposez d'une eau douce. Si vous employez une quantité trop importante de détergent dans une eau douce, vous risqueriez de rayer la verrerie.

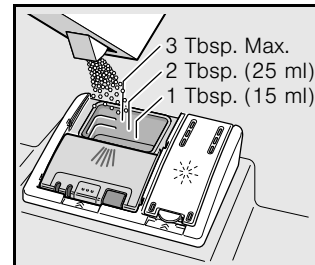
Ce lave-vaisselle utilise moins d'eau. Par conséquent, moins de détergent est nécessaire. Avec de l'eau douce, 1 c. à soupe (15 ml) de détergent nettoie la plupart des charges. Le godet du distributeur de détergent comporte des lignes graduées pour mesurer le détergent comme suit : 1 c. à soupe (15 ml) et 2 c. à soupe (25 ml). 3 c. à soupe (45 ml) de détergent rempliront complètement le godet du distributeur de détergent.

Utilisez les lignes graduées du godet du distributeur de détergent comme guide pour mesurer la quantité de détergent recommandée au tableau 1.

## Ajout de détergent

- 1 c. à soupe (15 ml) nettoie la plupart des charges (voir la Figure 4).
- Ne pas utiliser plus de 3 c. à soupe (45 ml).
- Ne pas trop remplir le distributeur de détergent.
- Si vous utilisez des pastilles de détergent, posez-les à plat pour éviter qu'elles n'entrent en contact avec le couvercle.

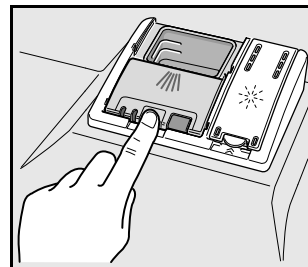
Figure 4



## Fermeture

- Placez le doigt comme indiqué à la Figure 5.
- Faites coulisser le couvercle en position fermée et appuyez fermement jusqu'à ce que vous entendiez un déclic.

Figure 5



## Ouverture

- Pour ouvrir le couvercle, appuyez sur le bouton comme illustré à la Figure 6. Le couvercle s'ouvrira.

Figure 6

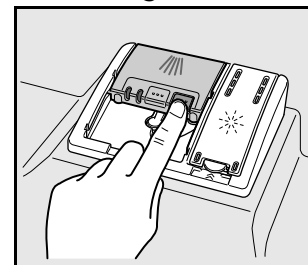


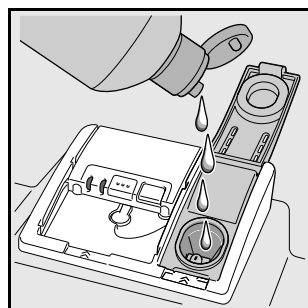
Tableau 1 - Quantité de détergent recommandée

Wash Cycle	Hard Water/ Heavy Soil	Medium Water/ Medium Soil	Soft Water/ Little Soil
Pots & Pans	45ml (3tbsp)	45ml (3tbsp)	25-45ml (1.75-3tbsp)
Auto	25-45ml (1.75-3tbsp)	25ml (1.75tbsp)	15-25ml (1-1.75tbsp)
Normal	25-45ml (1.75-3tbsp)	25ml (1.75tbsp)	15-25ml (1-1.75tbsp)
Quick	25ml (1.75tbsp)	15-25ml (1-1.75tbsp)	15ml (1tbsp)

## Agent de rinçage

Pour obtenir un séchage adéquat, toujours utiliser un agent de rinçage liquide, même si votre détergent contient déjà un agent de rinçage ou un adjuvant de séchage. *Remarque : le lave-vaisselle signale un manque de produit de rinçage en allumant l'indicateur lumineux. Si ce témoin est allumé, vous devez remplir le distributeur d'agent de rinçage en suivant les consignes ci-dessous. Verser le produit de rinçage liquide dans le distributeur comme indiqué jusqu'à ce que le réservoir soit plein. Essuyer tout débordement de liquide de rinçage s'écoulant du réservoir une fois plein. Voir Figure 7. Le voyant s'éteindra quelques instants après la fermeture de la porte du lave-vaisselle.*

Figure 7



## Pour définir la quantité d'agent de rinçage

La quantité de produit de rinçage versée peut être ajustée entre « r:00 » et « r:06 ».

Modification du paramètre :

- 1 Appuyez sur la touche [On/Off].
- 2 Maintenir la touche A enfoncée et appuyer et maintenir la touche [START] enfoncée jusqu'à ce que l'affichage indique « H:00 ».
- 3 Relâcher les deux touches.
- 4 Appuyer sur A jusqu'à ce que l'affichage indique « r:05 ».
- 5 Appuyer sur C pour sélectionner le paramètre souhaité.

« r:00 » = le distributeur est désactivé    « r:04 » = paramètre moyen-élevé

« r:01 » = paramètre le plus faible        « r:05 » = paramètre élevé

« r:02 » = paramètre faible                « r:06 » = paramètre le plus élevé

« r:03 » = paramètre moyen

- 6 Sauvegarder le paramètre sélectionné en appuyant sur [START].

## Programmes et options du lave-vaisselle

### Programmes de lavage

**Pots & Pans:** donne les meilleurs résultats pour éliminer les aliments collés ou la graisse. Habituellement, on doit faire tremper cette vaisselle.

**Auto:** grâce à notre dispositif très complexe de détection du degré de saleté, ce programme est idéal pour les charges mixtes avec des quantités de saletés alimentaires variables. Ce programme est le plus souple et un choix excellent pour tous les jours.

**Normal:** permet de laver parfaitement une pleine charge de vaisselle normalement sale.

*Remarque : l'Étiquette du Guide d'Énergie a été établie en fonction de ce programme de détection de la saleté avec toutes les options disponibles désactivées. Conformément à la procédure d'essai d'énergie, l'appareil a été testé sans verser un agent de rinçage dans le distributeur. Une seule dose de détergent a été utilisée dans le distributeur de détergent et aucun détergent n'a été utilisé pendant la phase de pré-lavage. L'essai a été effectué avec le panier supérieur en position abaissée.*

**Quick:** permet de laver la vaisselle légèrement sale et réduit la durée totale de lavage. Utiliser ce programme pour laver les verres et les assiettes à dessert devant être réutilisées au cours du même événement.

### Options de cycles de lavage

**Delay Start:** L'on peut retarder la mise en marche de 1 h à 24 h.

**Half Load:** les programmes de lavage Intense, Intuitif, Normal et Verrerie comportent une option Demi-charge qui permet de réduire la consommation d'énergie et d'eau lors du lavage d'une petite quantité de vaisselle légèrement sale qui remplit à peu près la moitié du lave-vaisselle.

**PowerBoost®:** Combina la presión de agua de gran alcance con la temperatura creciente del agua para ofrecer el máximo rendimiento de lavado pesado deber en todo el lavavajillas. PowerBoost está disponible en los Pots & Pans, Auto y de los ciclos normales.

**Extra Dry:** Utilisé en combinaison avec un cycle de lavage (sauf Rinse), l'option Extra Brillance élève la température et allonge la durée de séchage pour améliorer encore les résultats de séchage.

## Informations sur les programmes de lavage

Remarque : afin d'économiser de l'énergie, ce lave-vaisselle est équipé d'un dispositif de contrôle intuitif « Smart Control » dont les capteurs règlent automatiquement la durée du programme, la température et les changements d'eau en fonction du degré de saleté et de la température de l'eau entrante. Le dispositif de contrôle intuitif ajuste la durée du programme et la quantité d'eau utilisée de façon intermittente. **Les durées de programmes de lavage sont fonction d'une température de l'eau d'alimentation de 120 °F (48,8 °C).** Si la température de l'eau d'alimentation de votre résidence est différente de 120 °F (48,8 °C), le temps de chauffage de votre lave-vaisselle pourraient être touchés.

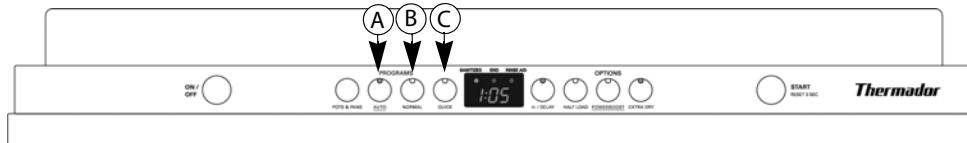
**Tableau 2 - Informations sur les programmes de lavage**

	Pots & Pans	Auto	Normal	Quick
durée	110-135 min	105-129 min	130-135 min	30 min
consommation d'eau	25.6 L 6.8 gal	13.6-22.6 L 3.6-6 gal	8.7-19.5 L 2.3-5.2 gal	10.5 L 2.8 gal
température de l'eau	71°C 160°F	53-66°C 127-150°F	45-55°C 113-131°F	45°C 113°F
température de rinçage	72°C 162°F	65-72°C 149-162°F	65-69°C 149-156°F	50°C 122°F
<b>Half Load</b>				
durée	115 min	95-105 min	90-99 min	n/a
consommation d'eau	17.9 L 4.8 gal	10.2-16.5 L 2.7-4.4 gal	10.8-13.9 L 2.8-3.7 gal	n/a
température de rinçage	72°C 162°F	70°C 158°F	72°C 162°F	n/a
<b>PowerBoost®</b>				
durée	130-150 min	125-150 min	135-155 min	n/a
consommation d'eau	18.6-24.2 L 4.9-6.4 gal	13.1-24.5 L 3.5-6.5 gal	8.8-20.8 L 2.4-5.5 gal	n/a
température de rinçage	72°C 162°F	72°C 162°F	72°C 162°F	n/a
<b>ExtraDry</b>				
durée	130-150 min	125-150 min	135-155 min	60 min
consommation d'eau	18.6-24.2 L 4.9-6.4 gal	13.1-24.5 L 3.5-6.5 gal	8.8-20.8 L 2.4-5.5 gal	10.5 L 2.8 gal
température de rinçage	72°C 162°F	72°C 162°F	72°C 162°F	72°C 162°F

Remarque : seuls les programmes sanitaires sont prévus pour satisfaire aux exigences de niveau 6 en matière d'efficacité d'élimination des saletés et de désinfection. Il n'existe aucune intention, directe ou indirecte, que tous les programmes aient réussi les tests de performance en désinfection.

# Fonctionnement du lave-vaisselle

DWHD440MFM, DWHD440MFP, DWHD440MPR



*REMARQUE: Pour les modèles avec commandes cachées, la porte doit être ouverte avant de modifier les paramètres et fermée après la modification des paramètres.*

## Démarrez le lave-vaisselle :

- 1 Appuyez sur la touche [On/Off]. Le voyant DEL du dernier cycle sélectionné clignote.
- 2 Sélectionnez un programme et les options voulues.
- 3 Appuyez sur [Start] et fermez la porte pour que le programme démarre.

## Annuler un cycle

- 1 Appuyez et maintenez le bouton [Start] pendant environ 3 secondes jusqu'à ce que l'écran affiche "0: 01".
- 2 Attendez environ 1 minute alors que le lave-vaisselle vidange.  
Ouvrez la porte et appuyez sur la touche [On/Off].  
Interrompre un cycle
- 3 Appuyez sur la touche [On/Off] pour éteindre l'appareil.  
Pour reprendre le cycle, appuyez sur la touche [On/Off] à nouveau.

## Mise en marche différée

Vous pouvez retarder le début du cycle de tranches d'une heure, jusqu'à 24 heures.

Pour régler le délai de commencer:

- 1 Appuyez sur la touche [On/Off]. Sélectionnez un cycle.
- 2 Appuyez sur la touche [Delay] jusqu'à ce que l'heure affichée corresponde à vos besoins et appuyez sur [Start] pour activer le départ différé.  
h: 01 = 1 heure de retard    h: 24 = 24 heures de retard

Pour annuler le départ différé:

- 1 Appuyez sur la touche [Delay] jusqu'à ce que "h: 00" est indiqué sur l'affichage numérique.
- 2 Appuyez sur [Start] pour sauvegarder le réglage.

## Signal de fin de cycle

- 1 Ouvrez la porte et appuyez sur la touche [On/Off].
- 2 Maintenez enfoncée la touche "A" et appuyez sur [Start] jusqu'à ce que l'affichage indique "d: 00". Relâchez les deux boutons.
- 3 Appuyez sur le bouton "A" jusqu'à ce que l'écran affiche "b:02". Appuyez sur la touche "C" pour augmenter ou diminuer la tonalité "b: 00" = OFF et "b: 03" = plus fort et appuyez sur [Start] pour enregistrer les paramètres et fermer la porte.

## Séchage intensifs

Le rinçage final utilise une température plus élevée qui améliore les résultats de séchage. Le temps de marche peut augmenter légèrement.

Pour activer le séchage intensif sur:

- 1 Appuyez sur la touche [On/Off].
- 2 Maintenez enfoncée la touche "A" et appuyez sur [Start] jusqu'à ce que l'écran affiche "d:00". Relâchez les deux boutons.
- 3 Appuyez sur la touche "C" pour allumer le séchage intensif sur ou hors tension. "d:01" = ON et "d:00" = OFF
- 4 Appuyez sur [Start] pour sauvegarder le réglage.

## Auto Power Off

Pour économiser l'énergie, le lave-vaisselle est éteint 1 minute après le cycle de lavage se termine. Mise hors tension automatique peut être réglée de P: 00 à P: 02.

Pour modifier le réglage d'usine (P: 01):

- 1 Appuyez sur la touche [On/Off]. Maintenez enfoncée la touche "A" et appuyez sur [Start] jusqu'à ce que l'affichage indique "d: 00".
- 2 Relâchez les deux boutons.
- 3 Appuyez sur le bouton "A" jusqu'à ce que l'afficheur indique "P: 01".
- 4 Appuyez sur la touche "C" jusqu'à ce que l'écran corresponde à vos besoins.  
P:00 = lave-vaisselle ne s'éteint pas automatiquement  
P:01 = lave-vaisselle s'éteint automatiquement après 1 minute  
P:02 = lave-vaisselle s'éteint automatiquement après 120 minutes (2 heures)
- 5 Appuyez sur [Start] pour sauvegarder le réglage.

# Nettoyage et entretien

Certaines parties du lave-vaisselle nécessitent un entretien occasionnel. Les opérations d'entretien sont faciles à effectuer et permettent d'obtenir continuellement un excellent rendement de votre lave-vaisselle.

## Conditions générales

Ne jamais utiliser un nettoyeur à vapeur avec le lave-vaisselle. Le fabricant n'est pas responsable des dommages encourus.

Essuyer régulièrement le devant de l'appareil avec un chiffon humide (une solution d'eau et de détergent est adéquate).

Ne pas utiliser d'éponge à surface rugueuse ni de détergent abrasif car ils peuvent endommager les surfaces.

Appareil en acier inoxydable : pour éviter la corrosion, ne pas utiliser de chiffon éponge, ni laver plusieurs fois avant d'utiliser l'appareil la première fois.

## Filtres

Les filtres permettent de garder les objets étrangers de l'eau de rinçage loin de la pompe. Ils peuvent parfois obstruer les filtres.

Vérifier les filtres

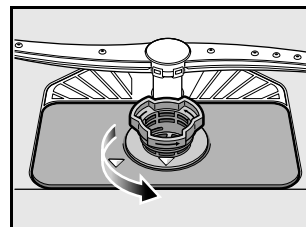
- Dévisser le filtre cylindrique tel qu'il est illustré et le sortir voir **Figure 8-9**.
- Enlever tout résidu et le passer à l'eau courante.
- Réinstaller le système de filtre et s'assurer que les flèches sont à l'opposées l'une de l'autre une fois le système de filtre fermé

## Bras gicleurs

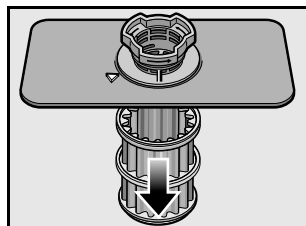
Du calcaire ou des contaminants dans l'eau de rinçage peuvent obstruer les embouts et les roulements des bras gicleurs.

- Vérifier si les embouts des bras gicleurs sont obstrués.
- Dévisser le bras gicleur supérieur. Voir **Figure 10**.
- Enlever le bras gicleur inférieur.

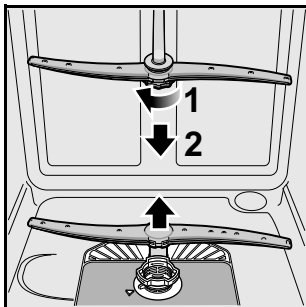
**Figure 8**



**Figure 9**



**Figure 10**





### Pompe d'eau usée

Les résidus d'aliments de l'eau de rinçage non captés par les filtres peuvent obstruer la pompe à eau usée. L'eau de rinçage ne peut être pompée et recouvre le filtre.

Dans ce cas :

- Débrancher l'appareil de l'alimentation électrique.
- Enlever les filtres.
- Vider l'eau à l'aide d'une éponge, au besoin.
- Avec une cuillère, enlever le couvercle de la pompe, tel qu'il est illustré, ensuite prendre le couvercle par la languette et tirer vers le haut jusqu'à résistance, puis le sortir (voir Figure 11-12).
- Vérifier l'intérieur du compartiment et enlever tout objet étranger.
- Remettre le couvercle à sa position d'origine.
- Installer le filtre.

Figure 11

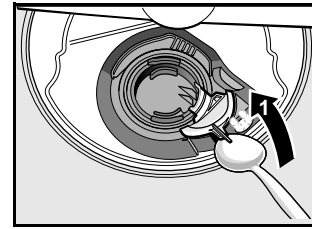
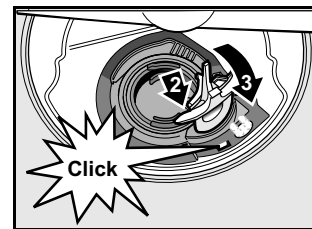


Figure 12



### Préparation de l'appareil pour les vacances

Avant de partir en vacances pendant un temps plus chaud, en plus de couper la vanne principale, également désactiver l'approvisionnement en eau au point le plus proche du lave-vaisselle. Par temps froid, s'il vous plaît suivez les instructions pour l'hivernage de votre appareil ci-dessous.

### Hivérisation unité

Si votre lave-vaisselle n'est pas utilisé pendant une longue période de temps dans un endroit dont la température de congélation (maison de vacances ou une période de vacances), faire hivériser par un service professionnel agréé.

## Aide automatique

Problème	Cause	Action à prendre
Le lave-vaisselle ne se met pas en marche	<ol style="list-style-type: none"> <li>1. La porte est peut-être mal enclenchée.</li> <li>2. L'appareil n'est peut-être pas allumé.</li> <li>3. La machine n'a pas été réinitialisée ou le programme précédent n'est pas terminé.</li> <li>4. La mise en marche différée est activée.</li> <li>5. Interruption de l'alimentation électrique du lave-vaisselle ou fusible ayant sauté.</li> <li>6. La porte a peut-être été fermée avant d'avoir choisi le programme.</li> <li>7. Le robinet d'alimentation en eau n'est peut-être pas ouvert.</li> </ol>	<ol style="list-style-type: none"> <li>1. Fermez complètement la porte.</li> <li>2. Appuyez sur le commutateur principal pour allumer la machine.</li> <li>3. Pour réinitialiser la machine, reportez-vous à la section de ce guide intitulée « Annulation ou modification du programme ».</li> <li>4. Pour réinitialiser la machine, reportez-vous à la section de ce guide intitulée « Mise en marche différée ».</li> <li>5. Vérifiez le disjoncteur.</li> <li>6. Sélectionnez un programme et fermez la porte.</li> <li>7. Vérifiez et ouvrez le robinet d'alimentation en eau.</li> </ol>
Le lave-vaisselle émet un bip sonore (signal de fin de programme)	<ol style="list-style-type: none"> <li>1. Les paramètres usine par défaut avertissent l'utilisateur que le programme de lavage est terminé en émettant un bip sonore. Cette fonction peut être désactivée au besoin.</li> </ol>	<ol style="list-style-type: none"> <li>1. Pour régler le volume sonore ou désactiver cette fonction, reportez-vous à la section de ce guide intitulée « Signal de fin de programme ».</li> </ol>
L'afficheur ne s'allume pas	<ol style="list-style-type: none"> <li>1. Un fusible a peut-être sauté ou le disjoncteur s'est déclenché.</li> <li>2. La porte est mal fermée ou mal enclenchée.</li> </ol> <p>Remarque : pour les modèles équipés de commandes situées sur la partie supérieure de la porte, l'afficheur ne s'allume que lorsque la porte est ouverte et les commandes sont visibles.</p>	<ol style="list-style-type: none"> <li>1. Vérifiez le fusible ou le boîtier de disjoncteurs et remplacez le fusible ou réarmez le disjoncteur le cas échéant.</li> <li>2. Assurez-vous que la porte est correctement enclenchée et complètement fermée.</li> </ol>
Le programme de lavage semble durer trop longtemps	<ol style="list-style-type: none"> <li>1. L'eau qui alimente le lave-vaisselle n'est pas assez chaude.</li> <li>2. La durée du programme peut varier en fonction de la saleté de la vaisselle et de la qualité de l'eau.</li> <li>3. Le distributeur de produit de rinçage est vide.</li> <li>4. Le lave-vaisselle est branché sur une conduite d'eau froide.</li> </ol> <p>Remarque : reportez-vous à la section de ce guide intitulée « Informations sur les programmes de lavage » pour obtenir la durée de programme type.</p>	<ol style="list-style-type: none"> <li>1. Avant de démarrer un programme, faites couler le robinet d'eau chaude de l'évier le plus proche du lave-vaisselle.</li> <li>2. Les capteurs du lave-vaisselle augmentent automatiquement la durée du programme pour une vaisselle bien propre en cas de détection d'une quantité importante de saletés sur la vaisselle.</li> <li>3. Versez le produit de rinçage dans le distributeur.</li> <li>4. Vérifiez que le lave-vaisselle est bien raccordé à la tuyauterie d'arrivée d'eau chaude.</li> </ol>

<b>Problème</b>	<b>Cause</b>	<b>Action à prendre</b>
La vaisselle est mal lavée	<ol style="list-style-type: none"> <li>1. Quelque chose empêche le bras de lavage de tourner.</li> <li>2. Quelque chose bouche les jets du bras d'aspersion.</li> <li>3. Mauvaise utilisation des détergents.</li> <li>4. Les filtres sont peut-être bouchés.</li> <li>5. Les pièces de vaisselle sont imbriquées les unes dans les autres ou disposées trop près les unes des autres.</li> <li>6. Le programme de lavage choisi ne convient pas aux conditions de saleté de la vaisselle.</li> </ol>	<ol style="list-style-type: none"> <li>1. Assurez-vous que le mouvement de rotation des bras d'aspersion n'est pas bloqué en faisant pivoter ces derniers à la main.</li> <li>2. Retirez les bras d'aspersion et nettoyez-les en suivant les consignes du paragraphe figurant dans la section de ce guide intitulée « Nettoyage et entretien ».</li> <li>3. Augmentez ou diminuez la quantité de détergent selon la dureté de l'eau. Reportez-vous au tableau 1.</li> <li>4. Nettoyer les filtres. Reportez-vous la section de ce guide intitulée « Nettoyage et entretien ».</li> <li>5. Changez la disposition de la vaisselle afin que le jet d'eau puisse asperger correctement toutes les pièces. Reportez-vous également la section de ce guide intitulée « Chargement de la vaisselle ».</li> <li>6. Reportez-vous également à « Programme de lavage » dans la section de ce guide intitulée « Fonctionnement du lave-vaisselle ».</li> </ol>
La vaisselle n'est pas bien sèche	<ol style="list-style-type: none"> <li>1. Le distributeur de produit de rinçage est vide. (Le voyant du produit de rinçage est activé).</li> <li>2. Mauvais chargement de la vaisselle.</li> <li>3. Le programme choisi ne comprend pas le séchage.</li> </ol> <p>Remarque : en général, les ustensiles en plastique et en Téflon ne sèchent pas aussi bien que d'autres ustensiles en raison des propriétés inhérentes à ces types de matériaux.</p>	<ol style="list-style-type: none"> <li>1. Versez le produit de rinçage dans le distributeur. L'utilisation d'un produit de rinçage améliore le séchage.</li> <li>2. Changez la disposition de la vaisselle pour veiller à ce que les articles ne soient pas imbriqués les uns dans les autres. Reportez-vous également à la section de ce guide intitulée « Chargement de la vaisselle ».</li> <li>3. Le paramètre Rinçage et attente ne comprend pas de programme de séchage.</li> </ol>
Impossible de sélectionner le programme voulu	<ol style="list-style-type: none"> <li>1. Le programme précédent n'est pas terminé</li> </ol>	<ol style="list-style-type: none"> <li>1. Reportez-vous à la section de ce guide intitulée « Annulation ou modification du programme ».</li> </ol>

<b>Problème</b>	<b>Cause</b>	<b>Action à prendre</b>
Odeur	<ol style="list-style-type: none"> <li>1. Des déchets alimentaires se sont accumulés au fond du lave-vaisselle.</li> <li>2. Des particules d'aliments se sont accumulées près du joint d'étanchéité de la porte.</li> <li>3. La vaisselle est restée trop longtemps dans le lave-vaisselle avant le lancement d'un programme.</li> <li>4. De l'eau résiduelle s'est accumulée au fond du lave-vaisselle.</li> <li>5. Le tuyau de vidange est obstrué.</li> </ol>	<ol style="list-style-type: none"> <li>1. Retirez les filtres et nettoyez-les conformément à la section de ce guide intitulée « Nettoyage et entretien ».</li> <li>2. Reportez-vous à « Nettoyage et entretien » dans la section de ce guide.</li> <li>3. Si vous n'avez pas l'intention de laver la vaisselle immédiatement, lancez le programme Rinse/Hold .</li> <li>4. Assurez-vous que l'opération de vidange du programme précédent est complètement terminée.</li> <li>5. Pour éliminer les objets pouvant obstruer le tuyau de vidange, faites appel à un personnel qualifié.</li> </ol>
Le lave-vaisselle ne se remplit pas d'eau	<ol style="list-style-type: none"> <li>1. Obstruction au niveau du réseau d'alimentation en eau.</li> <li>2. Le programme de lavage précédent n'est pas terminé.</li> <li>3. La fonction de mise en marche différée est activée.</li> <li>4. L'alimentation en eau domestique est coupée</li> </ol>	<ol style="list-style-type: none"> <li>1. Assurez-vous que le robinet d'arrivée d'eau (en général situé sous l'évier de la cuisine) est ouvert et vérifiez que la conduite d'alimentation n'est ni pliée ni bouchée.</li> <li>2. Reportez-vous à la section de ce guide intitulée « Fonctionnement du lave-vaisselle ».</li> <li>3. Annulez la mise en marche différée ou attendez que la période de mise en marche différée soit terminée ou que ce délai expire.</li> <li>4. Ouvrez l'alimentation en eau domestique</li> </ol>
Fuites d'eau	<ol style="list-style-type: none"> <li>1. Mousse</li> <li>2. Le joint d'étanchéité peut être sorti de la rainure.</li> <li>3. L'évent de condensation est bloqué.</li> <li>4. Mauvaise installation.</li> </ol>	<ol style="list-style-type: none"> <li>1. Les détergents inadéquats ont tendance à produire de la mousse et à provoquer des fuites. Utilisez uniquement des détergents pour lave-vaisselle. Si le problème de mousse persiste, mettez une cuillère à soupe d'huile végétale au fond du lave-vaisselle et lancez le programme voulu.</li> <li>2. Assurez-vous que le joint d'étanchéité est bien inséré dans la rainure.</li> <li>3. Assurez-vous que l'évent de condensation n'est pas bloqué.</li> <li>4. Faites vérifier l'installation par un personnel qualifié (alimentation en eau, système de vidange, mise à niveau, tuyauterie).</li> </ol>

<b>Problème</b>	<b>Cause</b>	<b>Action à prendre</b>
Taches apparaissant dans la cuve	<ol style="list-style-type: none"> <li>1. Les taches qui se forment à l'intérieur du lave-vaisselle sont dues à la dureté de l'eau.</li> <li>2. Les couverts sont en contact avec les parois de la cuve.</li> </ol>	<ol style="list-style-type: none"> <li>1. L'emploi de jus de citron concentré peut réduire l'accumulation de taches d'eau dure. Lancez un programme de lavage normal jusqu'au rinçage puis interrompez le programme et versez une tasse de 250 ml (8 oz. liq.) de citron concentré sur le panier supérieur. Terminez ensuite le programme. Ceci peut être fait périodiquement pour prévenir l'accumulation de taches.</li> <li>2. Assurez-vous que les couverts n'entrent pas en contact avec les parois de la cuve pendant le déroulement d'un programme.</li> </ol>
Apparition de films d'eau sur les verres ou de résidus sur la vaisselle	<ol style="list-style-type: none"> <li>1. Mauvais dosage du produit de rinçage.</li> </ol>	<ol style="list-style-type: none"> <li>1. Réglez le distributeur du produit de rinçage en fonction de la dureté de l'eau. Pour des informations sur le dosage, reportez-vous à la section de ce guide intitulée « Ajout de détergent et de produit de rinçage ».</li> </ol>
Le panneau avant est décoloré ou rayé	<ol style="list-style-type: none"> <li>1. Vous avez utilisé un produit d'entretien abrasif</li> </ol>	<ol style="list-style-type: none"> <li>1. Utilisez des détergents non abrasifs et un linge humide doux.</li> </ol>
Fonctionnement bruyant pendant le déroulement du programme de lavage	<ol style="list-style-type: none"> <li>1. La vaisselle n'est pas correctement disposée.</li> </ol>	<ol style="list-style-type: none"> <li>1. Les sons correspondant à la circulation de l'eau sont normaux, mais si vous soupçonnez que des pièces de vaisselle se cognent entre elles ou touchent les bras d'aspersion, reportez-vous à la section du présent guide intitulée « Préparation et chargement de la vaisselle » pour connaître la disposition optimale de la vaisselle.</li> </ol>
Le couvercle du distributeur de détergent ne se ferme pas	<ol style="list-style-type: none"> <li>1. Mauvais fonctionnement du couvercle du distributeur de détergent.</li> <li>2. Le programme précédent n'est pas terminé ; réinitialisation ou interruption du programme.</li> </ol>	<ol style="list-style-type: none"> <li>1. Reportez-vous à la section de ce guide intitulée « Ajout de détergent et de produit de rinçage » pour des instructions sur l'ouverture et la fermeture du distributeur.</li> <li>2. Reportez-vous à la section de ce guide intitulée « Annulation ou modification du programme ».</li> </ol>

## Service après-vente

Votre lave-vaisselle Thermador® ne requiert aucun entretien spécial autre que celui décrit à la section Nettoyage et entretien du présent guide. En cas de problème avec votre lave-vaisselle, avant de faire appel aux services d'un technicien, reportez-vous à la section Aide automatique du guide. Si un technicien doit intervenir, communiquer avec votre revendeur ou installateur ou avec un service de réparation autorisé. Ne pas tenter de réparer soi-même l'appareil. Toute réparation effectuée par un personnel non autorisé peut être une cause d'annulation de la garantie.

Si votre lave-vaisselle Thermador vous pose un problème et si vous n'êtes pas satisfait du service que vous avez reçu, veuillez effectuer les démarches suivantes jusqu'à ce que votre problème soit résolu à votre entière satisfaction :

- 1 Téléphonnez au 1-800-735-4328
- 2 Communiquez avec le service après-vente à partir de notre site Web : [www.thermador.com](http://www.thermador.com) (USA) or [www.thermador.ca](http://www.thermador.ca) (Canada)
- 3 Communiquez avec l'installateur ou le prestataire de service après-vente agréé de Thermador® de votre région.

S'il vous plaît n'oubliez pas d'inclure vos informations de modèle ainsi que l'explication du problème et la date à laquelle elle a commencé. Vous trouverez le modèle et le numéro de série sur l'étiquette située sur le bord de la porte lave-vaisselle. S'il vous plaît faire une copie de votre facture et de la garder avec ce manuel. Le client doit présenter une preuve d'achat pour obtenir un service de garantie.



## Informations concernant la garantie

**Couverture de la garantie :** la garantie limitée fournie par BSH Home Appliances Corporation (« BSH ») dans cet énoncé de garantie limitée s'applique seulement aux lave-vaisselle Thermador (« produit ») vendu au premier acheteur, en autant que le produit ait été acheté : 1) pour une utilisation normale résidentielle (non commerciale), et qu'en fait en tout temps a été utilisé pour un usage domestique normal ; 2) nouveau au détail (non en montre, tel quel ou un retour), qu'il n'est pas destiné à la revente ni à un usage commercial et 3) aux États-Unis ou au Canada et qu'il est demeuré en tout temps dans le pays où l'appareil a été acheté. Les garanties données ici s'appliquent seulement au premier acheteur du produit et ne sont pas transférables.

- S'assurer de retourner la carte d'enregistrement ; quoiqu'elle n'est pas nécessaire pour la couverture de garantie, cela permet à BSH de communiquer avec l'utilisateur dans l'éventualité où il y aurait un problème de sécurité ou un rappel de produit.

**Durée de la garantie:** BSH garantit que le produit ne présente aucun défaut de matériaux ou de fabrication pour une période de 730 jours (2 an) à compter de la date d'achat. La durée commence à la date d'achat et ne sera pas allongée, prolongée, interrompue pour quelle que raison que ce soit. Les frais de main-d'oeuvre et d'expédition sont compris dans la couverture de base.

**Garantie limitée prolongée:** BSH offre également ces garanties limitées additionnelles:

- **Garantie limitée de 5 ans sur les pièces électroniques:** BSH réparera ou remplacera tout microprocesseur ou panneau de circuits imprimés Thermador présentant un défaut de matériaux ou de fabrication (excluant les frais de main-d'oeuvre).
- **Garantie limitée de 5 ans sur les paniers:** BSH remplacera le panier supérieur ou inférieur (excluant les composants du panier), si le panier présente un défaut de matériaux ou de fabrication (excluant les frais de main-d'oeuvre).
- **Garantie à vie contre la perforation de l'acier inoxydable causée par la rouille:** BSH remplacera le lave-vaisselle par le même modèle ou un modèle semblable, équivalent ou mieux, si la doublure intérieure présente une perforation par la rouille (excluant les frais de main-d'oeuvre). BSH remplacera la porte en acier inoxydable si elle présente des perforations par la rouille (excluant les frais de main-d'oeuvre).

La durée commence à la date d'achat et ne sera pas allongée, prolongée, interrompue pour quelle que raison que ce soit. Les frais de main-d'oeuvre et d'expédition sont compris dans la couverture de base.

**Réparation ou remplacement comme solution exclusive:** pendant la période de garantie, BSH ou un de ses centres de service autorisés réparera le produit sans frais (sujet à certaines limitations indiquées dans le présent document), si le produit présente un défaut de fabrication ou de matériaux. Si des tentatives raisonnables pour réparer le produit sont vaines, alors BSH remplacera le produit (un modèle supérieur peut être disponible, à la seule discrétion de BSH, moyennant des frais additionnels). Toutes les pièces ou les composants enlevés demeurent la seule propriété de BSH. Toute pièce et tout composant réparés doit être identique à la pièce d'origine à des fins de cette garantie et la garantie ne sera pas prolongée en regard de telles pièces. La seule responsabilité de BSH est de faire réparer le produit défectueux par un centre de service autorisé pendant les heures d'affaires normales. Pour la sécurité et éviter des dommages à la propriété, BSH recommande fortement de ne pas réparer le produit soi-même, par une personne non qualifiée ; BSH ne sera pas tenu responsable des réparations ou du travail effectué par une personne non autorisée. Si le consommateur désire faire réparer par une personne autre qu'une personne autorisée, CETTE GARANTIE EST AUTOMATIQUEMENT NULLE ET NON AVENUE. Les centres de service autorisés sont les personnes ou les compagnies qui ont été spécialement formées sur les produits BSH et qui possèdent, selon l'opinion de BSH, une réputation supérieure pour le service à la clientèle et la capacité technique (il est à noter qu'elles sont des entités indépendantes et non des agents, partenaires, affiliations ou représentants de BSH). Nonobstant ce qui suit, BSH ne sera pas tenu responsable d'aucune façon si le produit est situé dans une région éloignée (supérieure à 100 miles d'un centre de service autorisé) ou n'est pas accessible de façon raisonnable, dans un environnement hasardeux, dangereux ; dans une telle éventualité, à la demande du consommateur, BSH pourrait payer les frais de main-d'oeuvre et de pièces et expédier les pièces à un centre de service autorisé le plus près, mais le consommateur serait entièrement responsable

pour toute durée de déplacement et autres frais spéciaux encourus par le centre de service, en autant qu'il accepte l'appel de service.

**Produit hors garantie:** BSH n'a aucune obligation, par loi ou autre, d'offrir toute concession, incluant réparation, prorata ou remplacement de produit une fois la garantie expirée.

**Exclusions à la garantie:** la garantie décrite dans le présent document exclut tout défaut ou dommage non directement relié à BSH, incluant sans limitation, un ou plusieurs de ce qui suit : 1) utilisation du produit autre qu'un usage normal, habituel et de la façon destinée (incluant sans limitation toute forme d'utilisation commerciale, d'utilisation ou de rangement d'un produit pour l'intérieur à l'extérieur, utilisation du produit de concert avec un transporteur aérien ou marin) ; 2) mauvaise conduite, négligence, mauvaise utilisation, abus, accidents, fonctionnement inadéquat, mauvais entretien, installation inadéquate ou négligente, altération, manquement d'observer les instructions de fonctionnement, mauvaise manipulation, service non autorisé (incluant réparation par le consommateur ou exploration du fonctionnement interne du produit) ; 3) ajustement, modification ou altération de toute sorte ; 4) manquement à la conformité des normes applicables fédérales, provinciales, municipales ou électrique du pays, codes de plomberie et/ou de construction, réglementation ou lois, incluant le manquement d'installer le produit en stricte conformité avec les codes et réglementations de construction et d'incendie locaux ; 5) usure ordinaire, déversements d'aliments, liquide, accumulation de graisse ou autres substances accumulées dans, sur ou autour du produit ; et 6) toute force ou tout facteur externe, élémentaire et/ou environnemental, incluant sans limitation, pluie, vent, sable, inondation, incendie, coulée de boue, gel, humidité excessive et exposition prolongée à l'humidité, foudre, surtension, problème de structure autour de l'appareil et actes de Dieu. En aucun cas, BSH ne sera tenu responsable des dommages survenus à la propriété, incluant les armoires, planchers, plafonds et autres objets ou structures autour du produit. Également exclus de la garantie, égratignures, encoches, enfoncement et dommages esthétiques sur les surfaces externes ou les pièces exposées ; produit sur lequel le numéro de série a été modifié, altéré, effacé, enlevé ; appel de service pour enseigner le fonctionnement du produit ou les visites où il n'y a aucun problème avec le produit ; correction de problèmes d'installation (le consommateur est seul responsable pour toute structure et tout réglage du produit, incluant l'électricité, la plomberie et autres connexions nécessaires, pour un plancher/fondation appropriée, et pour toute modification incluant, sans limitation, armoire, mur, plancher, tablette, etc.) et la remise de coupe-circuit ou remplacement de fusible.

SELON LA PORTÉE PERMISE PAR LA LOI, CETTE GARANTIE DONNE DES SOLUTIONS EXCLUSIVE RELATIVEMENT AU PRODUIT, QUE LA RÉCLAMATION SURVIENNE PAR CONTRAT OU TORT (INCLUANT RESPONSABILITÉ STRICTE OU NÉGLIGENCE) OU AUTRE. CETTE GARANTIE EST EN LIEU DE TOUTE AUTRE GARANTIE, EXPRESSE OU IMPLICITE, TOUTE GARANTIE PAR LOI, À DES FINS DE COMMERCIALISATION OU À DES FINS PARTICULIÈRES, OU AUTRE, SERA EN VIGUEUR SEULEMENT POUR LA PÉRIODE EFFECTIVE DE LA GARANTIE LIMITÉE EXPRESSE. EN AUCUN CAS, LE FABRICANT NE PEUT ÊTRE TENU RESPONSABLE DES DOMMAGES ACCESSOIRES, SPÉCIAUX, INDIRECTS, PERTES D'AFFAIRES, ET/OU DOMMAGES PUNITIFS, PERTES, FRAIS INCLUANT SANS LIMITATION LE MANQUEMENT AU TRAVAIL, REPAS À L'HÔTEL ET/OU AU RESTAURANT, FRAIS DE REMODELAGE SURVENUS À CAUSE DE DOMMAGES DIRECTS DÉFINITIVEMENT CAUSÉS EXCLUSIVEMENT PAR BSH OU AUTRE. CERTAINS ÉTATS NE PERMETTENT PAS L'EXCLUSION OU LA LIMITATION DES DOMMAGES ACCESSOIRES OU INDIRECTS ET NE PERMETTENT PAS LA LIMITATION SUR LA DURÉE D'UNE GARANTIE IMPLICITE, PAR CONSÉQUENT LES LIMITATIONS SUSMENTIONNÉES PEUVENT NE PAS S'APPLIQUER. CETTE GARANTIE DONNE DES DROITS SPÉCIFIQUES ET IL PEUT Y EN AVOIR D'AUTRES QUI VARIENT D'UN ÉTAT À L'AUTRE. Aucune tentative de modifier, changer ou amender cette garantie ne peut être effective sans le consentement écrit autorisé par un officier de BSH.

**Pour un service sous garantie :** POUR OBTENIR UN SERVICE SOUS GARANTIE, COMMUNIQUER AVEC UN CENTRE DE SERVICE AUTORISÉ BSH DANS LA RÉGION OU TÉLÉPHONER AU 1-800-735-4328.











¡Felicitaciones y las gracias!

Usted se ha sumado a la gran cantidad de consumidores que exigen a su lavadora de platos un rendimiento silencioso y superior. Este manual fue redactado pensando en su seguridad y comodidad, y la información que contiene es muy importante. Le recomendamos enfáticamente que lea este manual antes de usar su lavadora de platos por primera vez.

Para localizar la versión en español de este manual, visite el siguiente sitio web:

[www.thermador.com](http://www.thermador.com) (USA)

[www.thermador.ca](http://www.thermador.ca) (Canada)

Cuando esté allí, no olvide registrar su nueva lavadora de platos haciendo clic en la pestaña Customer Support (Asistencia al cliente) o llenando la tarjeta de registro del producto que se adjunta con su nueva unidad.

Si tiene alguna pregunta o comentario, comuníquese con nosotros llamando al 1-800-735-4328

## **Instrucciones de seguridad importantes: Lea y guarde esta información**



### **ADVERTENCIA**

El uso indebido de la lavadora de platos puede ocasionar lesiones graves o la muerte. No utilice la lavadora de platos de ninguna manera que no se encuentre cubierta en este manual ni para ningún fin distinto de los fines que se explican en las páginas siguientes.



La contratación de técnicos de servicio que no estén capacitados o el uso de piezas de repuesto que no sean originales podría ocasionar daños en el producto y/o lesiones graves. Todas las reparaciones deben ser realizadas por un técnico de servicio capacitado que utilice únicamente piezas de repuesto originales de fábrica para el equipo.



Si el suministro eléctrico para la lavadora de platos cubierta en este manual se instala de manera incorrecta o si la lavadora de platos no ha sido conectada a tierra de manera adecuada, podría ocasionarse una descarga eléctrica o un incendio. No utilice la lavadora de platos cubierta en este manual, a menos que esté seguro de que el suministro eléctrico haya sido instalado correctamente o de que la lavadora de platos haya sido conectada a tierra de manera adecuada.



Nunca utilice productos químicos abrasivos para limpiar su lavadora de platos. ¡Algunos productos que contienen cloruros pueden dañar su lavadora de platos y pueden presentar peligros para la salud!



## AVISO

Nunca utilice productos de limpieza por vapor para limpiar su lavadora de platos. El fabricante no será responsable de los posibles daños o consecuencias.



Se recomienda especialmente que el usuario final se familiarice con el procedimiento de corte del suministro de entrada de agua y con el procedimiento de corte de la fuente de alimentación eléctrica de entrada. Consulte las instrucciones de instalación o comuníquese con su instalador para obtener más información.



Las lavadoras de platos para uso residencial certificadas por el estándar 184 de la Fundación Nacional de Salubridad (National Sanitation Foundation, NSF)/Instituto Nacional Estadounidense de Estándares (American National Standards Institute, ANSI) no fueron diseñadas para establecimientos de comidas que tengan licencia.



### **ADVERTENCIA: Para reducir el riesgo de incendio, descarga eléctrica o lesiones graves, siga estas indicaciones**

- 1 Esta lavadora de platos se entrega con Instrucciones de instalación y con este Manual de uso y cuidado. Lea y comprenda todas las instrucciones antes de usar la lavadora de platos.
- 2 Este electrodoméstico debe conectarse a un sistema de cableado metálico y permanente, con conexión a tierra, o se debe instalar un conductor de conexión a tierra para equipos junto con los conductores de circuitos, y conectarlo al terminal de conexión a tierra para equipos o al hilo de conexión a tierra de la lavadora de platos. Consulte las Instrucciones de instalación que se incluyen con esta lavadora de platos para obtener más información sobre los requisitos eléctricos.
- 3 Utilice esta lavadora de platos únicamente para la función para la cual fue diseñada, que consiste en lavar la vajilla doméstica y los utensilios de cocina.
- 4 Utilice únicamente detergentes o agentes de enjuague recomendados para uso en una lavadora de platos y manténgalos fuera del alcance de los niños.

- 5 Al cargar los artículos que desea lavar:
  - Coloque los artículos filosos de manera tal que no puedan dañar el sello de la puerta.
  - Cargue los cuchillos y otros utensilios filosos con el MANGO HACIA ARRIBA para reducir el riesgo de tener heridas cortantes.
  - No lave artículos de plástico, a menos que incluyan la leyenda “aptos para lavadora de platos” o una leyenda equivalente. En el caso de los artículos de plástico que no estén marcados de esa manera, consulte las recomendaciones del fabricante.
  - No opere su lavadora de platos, a menos que todos los paneles de cierre estén colocados en su lugar.
  - No trate de forzar los controles ni de pasar por alto los sistemas de traba.
- 6 No use la puerta ni las rejillas para platos de la lavadora de platos de manera indebida, ni se siente ni se pare sobre estas.
- 7 Para reducir el riesgo de lesiones, no permita que los niños jueguen dentro de la lavadora de platos ni encima de esta.
- 8 Cuando los niños tienen la edad adecuada para operar el electrodoméstico, es responsabilidad legal de los padres/tutores legales asegurarse de que los niños reciban instrucciones sobre prácticas seguras por parte de personas capacitadas.
- 9 En ciertas condiciones, es posible que se produzca gas hidrógeno en un sistema de agua caliente que no haya sido utilizado durante dos semanas o más tiempo. El gas hidrógeno es explosivo. Antes de usar una lavadora de platos que esté conectada a un sistema de agua caliente que haya permanecido sin uso durante dos semanas o más tiempo, abra todos los grifos de agua caliente y deje que fluya el agua de cada uno de los grifos durante varios minutos. De este modo, se eliminará el gas hidrógeno que se haya acumulado. Dado que el gas es explosivo, no fume ni use una llama abierta durante este tiempo.
- 10 Al retirar una lavadora de platos vieja para realizar el servicio técnico o para desecharla, retire la puerta de la lavadora de platos que cierra el compartimento de lavado.
- 11 Para evitar daños en el piso y la posible aparición de moho, no permita que las áreas alrededor o debajo de la lavadora de platos permanezcan mojadas.
- 12 Proteja su lavadora de platos de las condiciones climáticas. Protéjala contra el congelamiento para evitar posibles daños en la válvula de llenado. Los daños causados por el congelamiento no están cubiertos por la garantía.

- 13 Este aparato debe ser conectado a tierra. En el caso de un mal funcionamiento o avería, la conexión a tierra reducirá el riesgo de descarga eléctrica al ofrecer una ruta de menor resistencia para la corriente eléctrica. Este aparato está equipado con un cable que tiene un conductor de conexión a tierra.
- La conexión incorrecta del conductor de tierra del equipo puede resultar en riesgo de descarga eléctrica. Consulte con un electricista calificado o representante de servicio si tiene dudas si el aparato está correctamente conectado a tierra.

**ADVERTENCIAS DE LA PROPUESTA 65 DEL ESTADO DE CALIFORNIA:**

ADVERTENCIA: Este aparato contiene uno o más productos químicos que, según el estado de California, pueden causar cáncer.

ADVERTENCIA: Este aparato contiene uno o más productos químicos que, según el estado de California, pueden causar defectos de nacimiento u otros daños reproductivos.

















