



READ AND SAVE THESE INSTRUCTIONS
Evaporative Vortex Humidifier Owner's Guide

LEER Y GUARDAR ESTAS INSTRUCCIONES
Guía para el usuario

LISEZ ET CONSERVEZ CES INSTRUCTIONS
Manuel d'utilisation

www.vornado.com

models EVAP1 and EVAP3

Designed, engineered and supported in Andover, Kansas.
Pensado, diseñado y respaldado en Andover, Kansas.
Conception, mise au point et soutien technique effectués à Andover, au Kansas.

Questions or comments?
¿Preuntas o comentarios?
Questions ou commentaires?



www.vornado.com



consumerservice@vornado.com



800.234.0604

Important Instructions 4

The Vornado Difference..... 5

Product Information..... 6

Getting Started

 Filling Water Tank..... 8

How to Use Humidifier Controls..... 9

Cleaning and Maintenance

 Filter Replacement..... 10

 Cleaning Instructions 11

Operating Tips and Recommendations..... 12

Automatic Filter Refill Program 12

Storage..... 12

Troubleshooting 13

Warranty..... 14

Unpacking Your Humidifier

Remove your Humidifier from carton by lifting from bottom of unit. Lifting by recessed handle on Water Tank, may cause Tank to detach and unit to fall and cause damage.

We recommend checking the Base and Water Tank for leaks that may have occurred due to damage caused in shipping. Please note a visual inspection may not reveal hairline fractures.

To Check for Leaks:

Place Humidifier on a water-resistant surface. Fill Water Tank and Base with water to inspect for leaks (For instructions see FILLING WATER TANK.)

Not Leaking?

Empty water from Base and install full Water Tank (For instructions see FILLING WATER TANK.)

Leaking?

In the remote chance your Humidifier has leaks, contact Vornado Consumer Services and we will immediately replace damaged parts.

IMPORTANT INSTRUCTIONS

READ AND SAVE ALL INSTRUCTIONS BEFORE USING THIS HEATER.

When using electrical appliances, basic precautions should always be followed to reduce the risk of fire, electrical shock and injury to persons, including the following:

- **DO** read all instructions before using this Humidifier.
- **DO** turn the Humidifier off if the relative humidity exceeds 60%. Humidity levels above 60% may allow moisture to build up indoors and condense on surfaces, where microorganisms can settle and grow. For accurate humidity readings, use a hygrometer which is available at most hardware stores and home centers.
- **DO** unplug the Humidifier prior to moving, cleaning or refilling.
- **DO** unplug and empty this Humidifier when not in operation.
- **DO** empty water from the unit if the Humidifier is to be turned off and left for more than 12 hours, as leaving the water will encourage the growth of microorganisms. If this happens, thoroughly clean and disinfect the unit. (Refer to the WEEKLY MAINTENANCE.)
- **DO** remove the Water Tank first if you need to move the Humidifier to another location.
This Humidifier requires periodic cleaning. Refer to the WEEKLY MAINTENANCE instructions provided. **DO NOT** clean the Humidifier in any manner other than as instructed in this manual.
- **DO NOT** use this Humidifier on an uneven surface. Always place this Humidifier on a firm, flat surface.
- **DO NOT** defeat the safety purpose of the polarized plug. This product is equipped with a polarized alternating current line plug (a plug having one blade wider than the other). This plug will fit into the power outlet only one way. This is a SAFETY FEATURE. If you are unable to insert the plug fully into the outlet, try reversing the plug. If the plug still fails to fit, contact an electrician to replace the obsolete outlet.
- **DO NOT** operate the Humidifier with a damaged cord or plug, after the Humidifier malfunctions, or has been dropped or damaged in any manner.

Return to Vornado for examination, electrical or mechanical adjustment or repair.

- **DO NOT** run power cord under carpeting.
- **DO NOT** cover cord with throw rugs, runners or similar objects. Arrange the power cord away from traffic areas, so it will not become a tripping hazard.
- **DO NOT** place the Humidifier near heat sources such as stoves, radiators or heaters.
- **DO NOT** pour water through the top Outlet Air Grill on the Power Head.
- **DO NOT** use undiluted bleach or ammonia, strong detergents, abrasive cleansers, gasoline, paint thinner or other solvents to clean this Humidifier. Use only water and mild detergents to perform daily maintenance on your Humidifier.
- **DO NOT ATTEMPT TO DISASSEMBLE THE POWER HEAD. DOING SO WILL VOID YOUR WARRANTY AND COULD CAUSE DAMAGE AND/OR PERSONAL INJURY.** The Power Head contains no user serviceable parts. If you experience a problem, please see the limited warranty for information.
- **DO NOT** repeatedly remove and replace the Water Tank. This will only fill the Base and water will spill out.
- Humidifiers should be kept away from children and not be placed in a child's room without supervision.
- See page 5 for parts listing and identification.
- If you have any questions regarding this product, please call
- Vornado Consumer Service, toll-free at 1-800-234-0604, or consumerservice@vornado.com.

SAVE THESE INSTRUCTIONS

Trust.

It is said that trust isn't given, but earned. For decades Vornado has been earning the trust of our customers by offering them only the best. Vornado provides the highest level of performance, coupled with the highest level of support available. Complete satisfaction with no exceptions – this is Vornado's promise to you. If you are not satisfied for any reason, please contact us. Knowledgeable representatives are available at 1-800-234-0604 from 7:00 AM to 6:00 PM CST. A wealth of additional support is also available online at www.vornado.com. On behalf of myself and the entire staff at our Andover, Kansas headquarters – thank you for selecting Vornado.

Sincerely,
Bill Phillips
CEO, Vornado Air



Find our complete product line at www.vornado.com

The Vornado Difference



The Vornado Vortex assisted humidifier distributes moisture farther into the room, enabling faster humidification. By incorporating Vornado's exclusive Vortex Action, the humidifier moves large volumes of harsh, dry air through two specially designed filters and circulates the moistened air throughout the room, providing complete and even humidification.

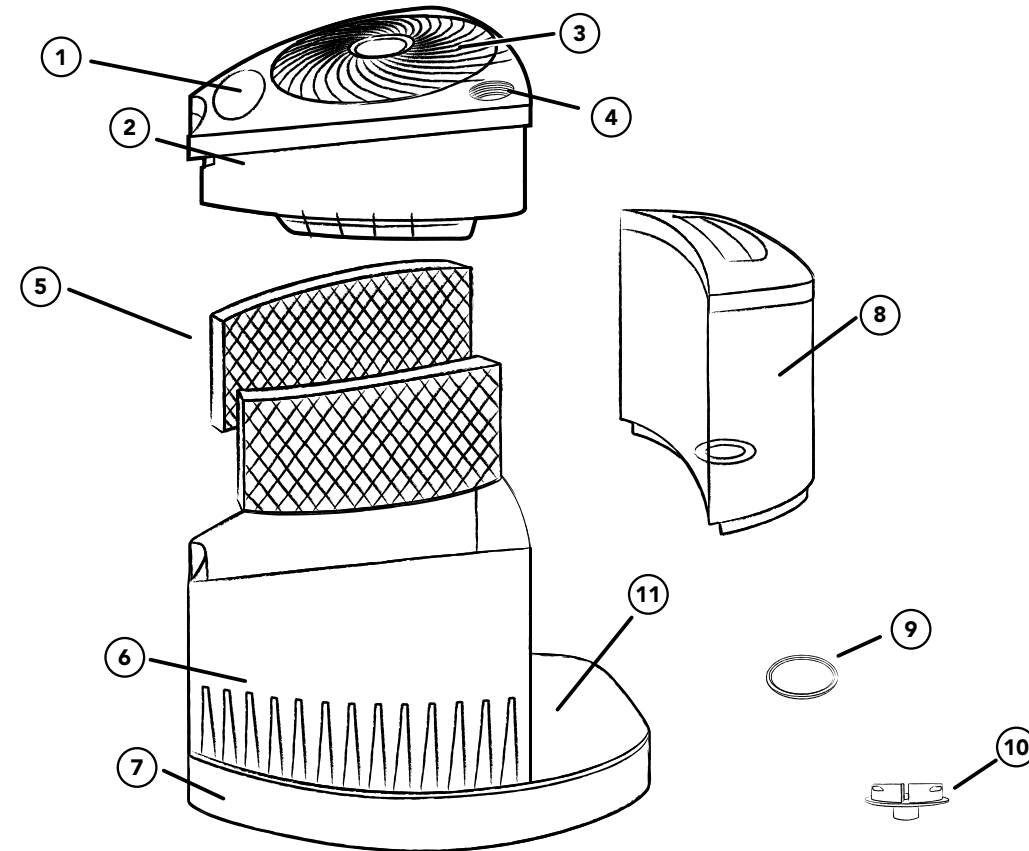
Product Information

- 1 Control Panel**
Easily adjust Fan Settings and set Humidity level: 35% - 60% or Continuous.
- 2 Power Head**
Powerful motor circulates moist air throughout the whole room.
- 3 Air Outlet Grill**
Initiates Vornado's signature Vortex circulation.
- 4 Humidistat**
Reads humidity in the room for automatic humidity control.
- 5 2 Vornado Evaporative Filters**
Wick up water.
- 6 Inlet Grills**
Designed for efficient air intake.
- 7 Base**
Durable, leak-resistant construction.
- 8 Water Tank**
Large 1.5 gallon capacity allows for fewer refills.
- 9 Gasket**
Creates a waterproof seal between Cap and Water Tank.

- 10 Cap**
Easy-to-remove Cap for convenient Water Tank refilling.
- 11 Fill Port**
Releases water from Water Tank into Base.

EVAP3 Item #	HU1-0034-06
EVAP1 Item #	HU1-0021-28
Model	EVAP3
Model	EVAP1
Warranty.....	5 Year Limited
Vornado Evaporative Filters (2 pack).....	MD1-0002

Product Information



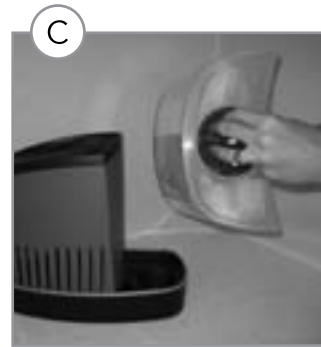
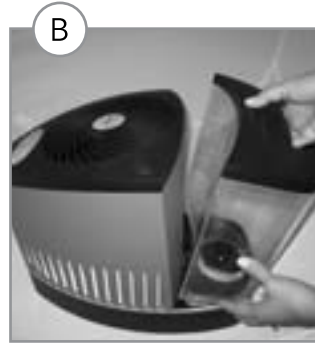
Getting Started

Filling Water Tank

This Humidifier has a 1.5 gallon capacity and 2.6 gallon output in 24 hours (if set to High Fan Speed, Continuous Humidity setting).

To fill Water Tank:

1. Unplug Humidifier. Place on firm and level surface, such as the floor.
Note: Spills can occur during cleaning, moving, or refilling Water Tank, so be careful to avoid spills when doing these activities.
2. Remove Water Tank by grasping recessed handle on top (A). Pull outward and lift (B).
3. Turn Water Tank upside down.
4. Remove Cap (C). Empty any remaining water inside Water Tank. Rinse, wipe clean and dry with clean cloth or paper towel.
5. Place Water Tank in sink with opening at the top.
6. Fill Water Tank with cool tap water (D).
7. Ensure Gasket is properly positioned and secure Cap.
8. Lower Water Tank into Base, positioning Fill Port over raised bump in Base. Once in nested position, the water outlet valve inside Cap will open, releasing water into Base.



How to Use Humidifier Controls



EVAP3 Pictured

Read and understand this owners guide before operating this product. Position unit to not blow directly on objects or plants. Plug unit into a 110-120 volt AC outlet.

Power Button (A) - turns the unit On or Off. LED indicator lights will illuminate default settings when powered On. Unit will default to High Fan Speed, Continuous Humidity.

Fan Setting Button (B) - select desired Fan Setting. On the EVAP3 select - Low, High or Auto. On the EVAP1 select - Low (I), Medium (II) or High (III).

Low or (I) - operation for quiet, nighttime use or smaller rooms. On Low operation, your Humidifier may run without refilling for extended periods.

Medium or (II), EVAP1 Only - operation for normal use.

High or (III) - operation for fast humidification for larger rooms. High

speed operation will evaporate 2.6 gallons of water (+/- 10%) in 24 hours of continuous operation. (This assumes room conditions of 70° F and 30% relative humidity.)

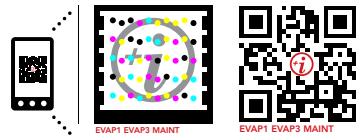
Auto, EVAP3 Only - operation for more precise humidity control. Fan speed will fluctuate to better maintain set humidity level with the minimal amount of fan noise.

Humidity Button (C) - sets desired humidity level. Press Humidity Button until desired humidification level is illuminated, 35% - 60% or Continuous. The unit will operate until the desired humidity level is reached, at this point, the fan will turn Off and the fan speed indicator light will turn Off. The humidity level indicator light will remain On. If the fan does not turn on, the set humidity level may be lower than the room humidity level. Increase the humidity set point until the fan turns On. This is an indication of the level of humidity already in the room. If moisture forms on walls or windows, lower humidity settings or turn Off Humidifier.

Cleaning and Maintenance

Filter Replacement

The Filters may accumulate minerals and other impurities that occur naturally in any water supply. While your Humidifier came equipped with two Filters, you will eventually have to replace them.



View filter replacement tutorial on your mobile device.

When to Replace: Many factors affect the frequency in which the Filters will need to be replaced - including amount of use, water hardness, and outside environmental factors. For heavy use, using the unit continuously, we recommend replacing the Filters approximately once a month. For lighter use, using the unit intermittently, we recommend replacing the Filters every two months.

The Filters will need to be replaced earlier if the Filters become hard or are no longer absorbing the water effectively. Replace Filters with only genuine Vornado® brand Filters. While other brands may fit our units, these Filters do not carry the same quality and life as our own and can diminish the Humidifier's performance.

How to Replace:

1. Turn the unit off and unplug. Remove Power Head (A).

A



2. Remove and discard used Filters (B).

B



3. Install new genuine Vornado Filters by making sure they are flush against the sides of the unit and touching the bottom of the Base.

4. Replace Power Head. Your Humidifier is now ready for use.

Cleaning Instructions

Proper cleaning of your Evaporative Vortex Humidifier is essential to the air quality and performance of your unit. The frequency in which your Humidifier will need to be cleaned will vary, depending on use, water hardness, and outside environmental factors. It is recommended, assuming average use, to thoroughly clean the unit several times throughout the season, or when algae, mineral deposits or other particles begin to form.

To clean:

1. Turn the Humidifier Off and unplug. Do not submerge in water.
2. Remove Power Head and Filters (See FILTER REPLACEMENT for instructions).
3. Remove Water Tank and Inlet Grill. To remove Inlet Grill, undo the latch (A) and lift (B).

A



B



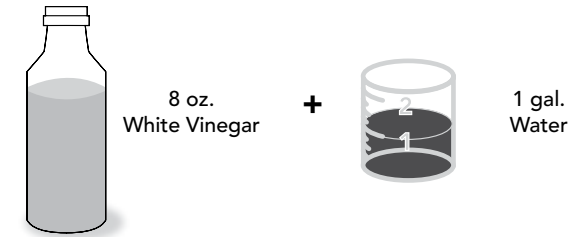
4. Empty water from Base and Water Tank. (See FILLING WATER TANK for instructions).

Note: Do not operate the unit during cleaning.

5. Fill Base and Water Tank with a mixture of water and white vinegar - mixed at a ratio of one (1) 8 oz. cup of undiluted white vinegar per 1 gallon of water (C). Do not overfill, discard unused portion. Solution should remain in Base and Water Tank for 20 minutes to dissolve any residue.

Cleaning and Maintenance

C

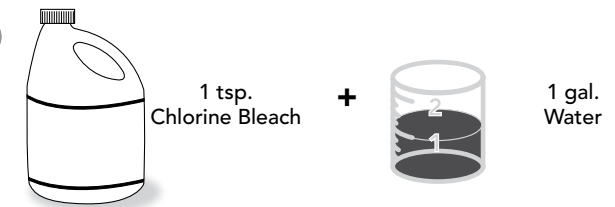


6. Empty after 20 minutes and clean all interior surfaces of Base and Water Tank with soft brush. Dampen soft cloth with undiluted white vinegar and wipe down to remove scale.
7. Rinse thoroughly with clean warm water before disinfecting.

To Disinfect:

1. Fill Base and Water Tank with a mixture of water and chlorine bleach - mixed at a ratio of one (1) teaspoon of chlorine bleach per 1 gallon of water (D). Do not overfill, discard unused portion. Solution should remain in Base and Water Tank for 20 minutes to fully disinfect.

D



2. Rinse with water until bleach smell is gone. Dry with clean cloth or paper towel.
3. Reinstall all components. Components must be securely in place for unit to function properly.

Operating Tips and Recommendations

- **For best results:**
 1. Allow for optimum airflow by keeping the grill unobstructed. Ensure curtains and other items are far enough away from the unit to not be pulled into the side inlets or interfere with airflow.
 2. Do not turn the unit off and on - allow your Humidifier to operate continuously. This will help maintain the desired humidity level in your home, cost only pennies a day, and will not damage the unit.
- It is normal and expected for your Humidifier to run continuously for a few days in order to raise the moisture content of the air to the desired level upon initial use or if the air is extremely dry. When your home and its furnishings have absorbed sufficient moisture and become stabilized at the desired humidity level, the amount of water used will decrease.
- If you operate your Humidifier continuously, it may need to be refilled with water every day. Simply look through the Water Tank to be certain that there is adequate water supply for operation. When the water level drops below the operating level, the unit will not be producing humidity.
- Protect the Water Tank from damage. Any cracks or damage to the Tank may cause it to leak water onto the floor or other surfaces.
- If the Humidifier is turned Off, with water in the unit, and not turned back on for 8 hours or longer, or if the unit is not cleaned as recommended, you may experience some growth of algae or bacteria. These microorganisms may become airborne. Thoroughly clean the unit to eliminate any microorganisms (See CLEANING AND MAINTENANCE for instructions).
- Your Evaporative Vortex Humidifier is effective at supplying necessary moisture to dry air. It should be used with proper care to prevent over-humidification. To know if the humidity level is too

high, gauge the condensation or frost on windows. Adjust your Humidifier to a point where this condition is at a minimum.

Storage

1. Thoroughly clean unit (See CLEANING INSTRUCTIONS).
2. Remove and discard used Filters (See FILTER REPLACEMENT). Be sure to buy a new Filters now so you are ready for next season!
3. Empty Water Tank and Base. Let unit dry completely.
4. Place in original retail carton if available.
5. Your Humidifier is now ready for Storage.
6. Store in a cool, dry location.

Note: It is recommended to clean the unit again before use.

Automatic Refill Program

Select the shipment interval and Vornado will send replacement Filters automatically. Eliminate the hassle of remembering to reorder. Maintain the high efficiency of your Vornado Humidifier.

To sign up, visit www.vornado.com, email consumerservice@vornado.com or call 1-800-234-0604. Cancel at anytime.



Part # **MD1-0002**

Troubleshooting

Problem	Possible Cause and Solution
Unit fails to power on.	<p>Unit is not plugged in. Plug power cord into electrical outlet.</p> <p>Household circuit breaker / ground fault interrupter has tripped or blown a fuse. Reset circuit breaker / ground fault interrupter, or replace fuse. For assistance, contact a licensed electrician.</p> <p>The unit has blown a fuse. Cease usage and unplug. Contact Consumer Service for assistance.</p> <p>Unit is damaged or in need of repair. Cease usage and unplug. Contact Consumer Service for assistance.</p>
Unit makes a bubbling or gurgling sound.	<p>This is normal. Water is being dispensed into Base.</p>
Unit is not producing desired amount of humidity.	<p>Water level in Tank is empty or too low. Refill with clean, cool tap water. (See FILLING WATER TANK for instructions.)</p> <p>Unit has reached its set point. When set humidity level is reached, the Fan will turn off until humidity level in the room drops below humidity set point.</p> <p>Airflow is blocked. Remove obstruction.</p> <p>Unit settings are too low. Set to High Fan Speed and Continuous Humidity for maximum humidity output.</p>
Filters are in need of replacement too often.	<p>The additional sodium in chemically softened water may cause Filters to harden or become mushy. Try using untreated tap water or distilled water.</p> <p>Try adding Bacteriostat or Water Treatment found at most hardware or home specialty stores to the water. Or periodically remove the Filters and clean, by soaking them in cool tap water and two teaspoons of white vinegar. Let stand 20 minutes, then rinse in cool water. Allow excess water to run off and dry before replacing them in the Base. DO NOT wring.</p> <p>Water is too hard. Use distilled water.</p>



Evaporative Vortex Humidifier • 5 Year Limited Warranty

Vornado Air LLC ("Vornado") warrants to the original consumer or purchaser this Vornado® Evaporative Vortex Humidifier ("Product") is free from defects in material or workmanship for a period of five (5) years from the date of purchase, depending on model. If any such defect is discovered within the warranty period, Vornado, at its discretion, will repair or replace the Product at no cost. Repairs not covered by the warranty or outside the warranty period will require a fee to cover the cost of materials, labor, handling and shipping.

This warranty does not apply to defects resulting from abuse of the Product, modification, alteration, repair or service of the Product by anyone other than Vornado, mishandling, improper maintenance, commercial use of the Product, damages which occur in shipment or are attributed to acts of God.

REPAIR OR REPLACEMENT AS PROVIDED UNDER THIS WARRANTY IS THE EXCLUSIVE REMEDY OF THE CONSUMER. VORNADO SHALL NOT BE LIABLE FOR ANY INCIDENTAL OR CONSEQUENTIAL DAMAGES FOR BREACH OF ANY EXPRESS OR IMPLIED WARRANTY ON THIS PRODUCT. EXCEPT TO THE EXTENT PROHIBITED BY APPLICABLE LAW, ANY IMPLIED WARRANTY OF MERCHANTABILITY OR FITNESS FOR A PARTICULAR PURPOSE ON THIS PRODUCT IS LIMITED IN DURATION TO THE DURATION OF THIS WARRANTY.

Some states do not allow the exclusion or limitation of incidental or consequential damages, or allow limitations on how long an implied warranty lasts, so the above limitations or exclusions may not apply to you. This warranty gives you specific legal rights, and you may have other rights that vary from state to state.

For warranty or repair service, call 1-800-234-0604 or email consumerservice@vornado.com to obtain a Return Authorization ("RA") form. Please have or include your Product's model number and serial number, as well as your name, address, city, state, zip code and phone number when contacting Vornado for warranty service. After receiving the RA form, ship your Product to:

Vornado Air LLC
Attn: Warranty & Repair
415 East 13th Street
Andover, KS 67002

For your convenience, please have your model number and serial number when contacting Vornado with service inquiries. To assure proper handling, packages must be clearly marked with the RA number. Packages not clearly marked with the RA number may be refused at the receiving dock. Please allow 1-2 weeks for repair and return of your Product after the Product is received. For your records: Staple or attach your original sales receipt to this Owner's Guide. Please also write your product's serial number below (located on product specs decal).

Serial No. _____

Product registration available online at www.vornado.com
© 2012 Vornado Air LLC Andover, KS 67002
Patents Pending. Specifications subject to change without notice.
Vornado® is a trademark owned by Vornado Air LLC.
Designed and Engineered in the U.S.A. Manufactured in China.
www.vornado.com consumerservice@vornado.com 800.234.0604

- Instrucciones Importantes 16
- La Diferencia Vornado..... 17
- Información Sobre el Producto 18
- Inicio
 - Llenado del tanque de agua 20
- Cómo utilizar los controles del humidificador 21
- Limpieza y Mantenimiento
 - Para reemplazar los filtros 22
 - Instrucciones para la limpieza..... 23
- Consejos y recomendaciones para el funcionamiento 24
- Almacenamiento Adecuado..... 24
- Programa De Recambio Automático De Filtros 24
- Resolución De Problemas 25
- Garantía..... 26

Desembalaje del Humidificador

Extraiga el Humidificador de la caja de cartón levantándolo desde la parte inferior de la unidad. Si lo levanta del tirador empotrado del depósito de agua, puede que el depósito se desprenda y que la unidad se caiga y se dañe.

Recomendamos revisar que la base y el depósito de agua no presenten fugas que puedan haberse producido debido a daños durante el envío. Tenga en cuenta que una inspección visual tal vez no revele las roturas diminutas.

Para revisar si hay fugas:

Coloque el humidificador sobre una superficie resistente al agua. Llene de agua el depósito de agua y la base para inspeccionar si hay fugas (Para obtener instrucciones, vea LLENADO DEL DEPÓSITO DE AGUA).

¿No se observan fugas?

Vacíe el agua de la base e instale el depósito de agua completo (Para obtener instrucciones, vea LLENADO DEL DEPÓSITO DE AGUA).

¿Hay fugas?

En el remoto caso de que su humidificador tenga fugas, comuníquese con el servicio de atención al cliente de Vornado y reemplazaremos de inmediato las piezas dañadas.

INSTRUCCIONES IMPORTANTES

Por favor, lea y conserve estas instrucciones

Siempre que utilice artefactos eléctricos, deberá tomar precauciones básicas de seguridad para reducir el riesgo de incendios, descargas eléctricas y daños personales, incluyendo las siguientes:

- Lea todas las instrucciones antes de utilizar este humidificador.
- Apague el humidificador si la humedad ambiente supera el 60%. Niveles de humedad superiores al 60% podrían provocar la condensación sobre las superficies del ambiente favorable al asentamiento y crecimiento de microorganismos. Para obtener lecturas precisas de humedad, use un higrómetro como los que se venden en la mayoría de las ferreterías y casas de artículos para el hogar.
- Desenchufe el humidificador antes de moverlo, limpiarlo o llenarlo.
- Desenchufe y vacíe el humidificador cuando no lo use.
- Vacíe el agua de la unidad si no utilizará el humidificador por más de 12 horas, ya que el dejarlo con agua favorecerá el crecimiento de microorganismos. Si esto sucediera, limpie profundamente y desinfecte la unidad, (Consulte las instrucciones de MANTENIMIENTO SEMANAL).
- Si necesita desplazar el humidificador a otra ubicación, primero remuévale el tanque de agua.
- Este humidificador requiere una limpieza periódica. Consulte las instrucciones de MANTENIMIENTO SEMANAL provistas. NO limpie el humidificador de ninguna manera que no sea la indicada en este manual.
- NO use este humidificador sobre una superficie despareja. Colóquelo siempre sobre una superficie firme y plana.
- NO ignore el propósito de seguridad del enchufe polarizado. Este producto viene equipado con un enchufe de alimentación de CA polarizado (con una pata más ancha que la otra). Este enchufe solo podrá ser conectado en un tomacorriente en una única posición. Ésta es una MEDIDA DE SEGURIDAD. Si no puede insertar totalmente el enchufe en el tomacorriente, pruebe rotarlo. Si el enchufe aún no entra en el tomacorriente, llame a un electricista calificado para que reemplace el tomacorriente antiguo.
- NO utilice el humidificador si el cable o el enchufe están dañados o luego de una falla, o si ha sufrido cualquier tipo de daño o caída. Devuelva el artefacto a Vornado para su inspección, ajuste eléctrico o mecánico, o reparación.
- NO instale el cable de alimentación debajo de alfombras.
- NO cubra el cable con alfombrillas, tapetes u objetos similares. Coloque el cable de alimentación alejado de las áreas de circulación, de manera de que no se transforme en un riesgo de tropezones.
- NO coloque el humidificador cerca de fuentes de calor como estufas, radiadores o calefactores.
- NO vierta agua a través de la rejilla de toma de aire superior, sobre el cabezal eléctrico.
- NO use lavandina o amoníaco sin diluir, detergentes fuertes, limpiadores abrasivos, gasolina, diluyentes u otros solventes para limpiar este humidificador. Use solamente agua y detergentes suaves para realizar el mantenimiento diario de su humidificador.
- NO INTENTE DESARMAR EL CABEZAL ELÉCTRICO. AL HACERLO INVALIDARÁ SU GARANTÍA Y PODRÍA CAUSAR DAÑOS Y/O LESIONES PERSONALES. El cabezal eléctrico no contiene partes reparables por el usuario. Si tiene algún problema, por favor refiérase a la información de garantía limitada.
- NO quite repetidamente el tanque de agua. Esto solo provocará el llenado de la base y se derramará agua.
- Los humidificadores deben mantenerse alejados de los niños y no deben colocarse en el cuarto de los niños sin supervisión. Ver página 24 por la lista de partes y su identificación.
- Si tiene alguna pregunta respecto a este producto, por favor llame al número gratuito del Servicio de atención al Cliente de Vornado, al 1-800-234-0604, o escriba a customerservice@vornado.com

La Confianza.

Se dice que la confianza no se regala, sino que se gana. Durante décadas Vornado se ha ganado la confianza de nuestros clientes ofreciéndoles sólo lo mejor. Vornado brinda el mayor nivel de rendimiento combinado con el mayor nivel de soporte disponible. Satisfacción total sin excepciones; esta es la promesa que le realiza Vornado. Si usted no está satisfecho por algún motivo, por favor contáctenos. En el 1-800-234-0604 de 7:00 AM a 6:00 PM CST encontrará representantes expertos. En www.vornado.com también encontrará abundante soporte adicional disponible. En nombre mío y de todo el personal de nuestra sede de Andover, Kansas le agradecemos por elegir Vornado.

Cordialmente,
Bill Phillips
CEO, Vornado Air



Encuentre nuestra línea de productos completa en www.vornado.com

La Diferencia Vornado



Sin circulación adecuada

Con acción de vórtice de Vornado

El humidificador asistido Vornado Vortex distribuye mejor la humedad en todo el ambiente, permitiendo una humidificación más rápida. Al incorporar el exclusivo dispositivo de Vornado, Vortex Action, el humidificador mueve grandes volúmenes de aire seco e irritante a través de dos filtros especialmente diseñados y hace circular el aire humedecido en todo el ambiente, facilitando una humidificación pareja y total.

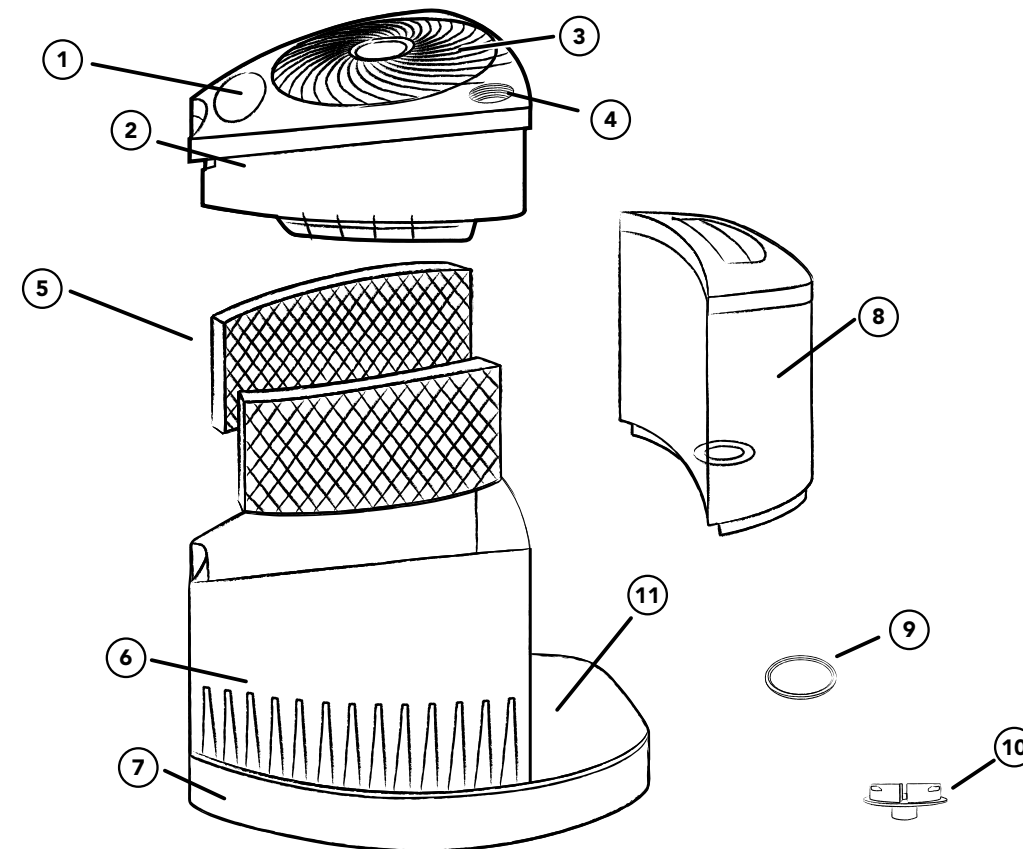
Información Sobre El Producto

- 1 Panel de Control**
Manéjelo fácilmente con el botón de encendido, 3 velocidades del ventilador, botón de control del nivel de humedad y LEDs indicadores del nivel de humedad y la velocidad del ventilador. El nivel de humedad se puede ajustar desde 35% hasta continuo.
- 2 Cabezal de Potencia**
Poderoso motor que circula el aire húmedo a través de todo el ambiente.
- 3 Rejilla de Salida de Aire**
Inicia la exclusiva circulación vortex de Vornado.
- 4 Humidistato**
Mide la humedad en el ambiente para el control automático de humedad.
- 5 2 Filtros**
Los filtros de evaporación de Vornado® absorben el agua.
- 6 Rejillas de Entrada**
Diseñadas para absorber aire de forma eficiente.
- 7 Base**
Construcción duradera y resistente a las fugas.
- 8 Tanque de agua**
La gran capacidad para 1.5 galón permite una menor cantidad de recargas.

- 9 Junta obturadora**
Crea un sello impermeable entre la tapa y el tanque de agua.
- 10 Tapa**
Tapa fácil de quitar para una recarga conveniente del tanque de agua.
- 11 Puerto de llenado**
Distribuye el agua desde el tanque de agua hasta la base.

EVAP3 Artículo.....	HU1-0034-06
EVAP1 Artículo.....	HU1-0021-28
Modelo	EVAP3
Modelo	EVAP1
Garantía.....	5 Year Limited
Filtros Vornado.....	MD1-0002

Información Sobre El Producto

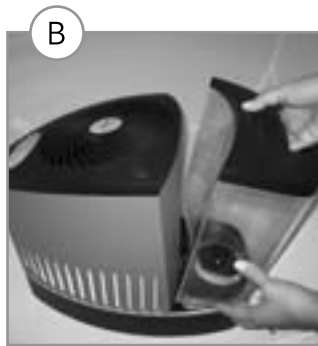
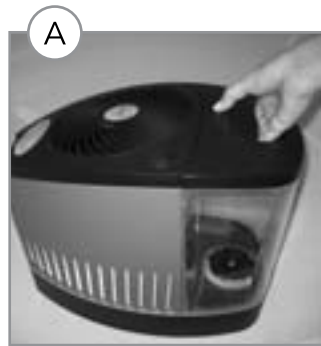


Llenado del tanque de agua

Este humidificador tiene una capacidad de 1.5 galón (5,68 litros) y una salida de 2.6 galones (9,84 litros) en 24 horas (si se lo establece en la configuración de salida Alta, humedad Continua).

Para llenar el tanque de agua:

1. Desenchufe el humidificador. Coloque sobre una superficie firme y nivelada, como por ejemplo el piso.
Nota: Pueden producirse derrames durante la limpieza, traslado o recarga del tanque de agua. Trate de evitar los derrames al realizar estas actividades.
2. Extraiga el tanque de agua sujetando el tirador empotrado en la parte posterior (A). Levante y jale hacia afuera (B).
3. Dé vuelta el tanque de agua.
4. Quite la tapa (C). Vacíe cualquier resto de agua dentro del tanque de agua. Enjuague, limpie y seque con un paño limpio o una servilleta de papel.
5. Coloque el tanque de agua en el fregadero con la abertura arriba.
6. Llene el tanque de agua con agua fría de la canilla (D).
7. Asegúrese de que la junta obturadora esté correctamente ubicada y coloque la tapa.
8. Baje el tanque de agua a la base, ubicando el puerto de llenado sobre la protuberancia elevada en la base. Una vez en la posición anidada, la válvula de salida de agua dentro de la tapa se abrirá, liberando agua hacia la base.



Lea y comprenda esta guía del propietario antes de poner en funcionamiento este producto. Ubique la unidad de modo que no descargue directamente sobre objetos o plantas. Enchufe la unidad en un tomacorriente de 110-120 voltios CA.

Botón de potencia (A) - presionando enciende la unidad. La unidad se configurará de manera predeterminada en el nivel de humedad Continuo y en velocidad del ventilador Alta. Ajuste las configuraciones según el funcionamiento que desee.

Botón de velocidad del ventilador (B) - Para seleccionar la velocidad del ventilador, ALTA, BAJA y AUTOMÁTICA en EVAP3. Para seleccionar la velocidad del ventilador, ALTA, MEDIANA y BAJA en EVAP1.

Low (Baja) or (I) - funcionamiento silencioso, uso nocturno o ambientes pequeños. En la función LOW (Baja), el humidificador puede funcionar sin tener que rellenarlo durante extensos periodos de tiempo.

Mediana or (II) - EVAP1. Salida MEDIUM para funcionamiento normal.

High (Alta) or (III) - rápida humidificación de ambientes grandes. La velocidad alta evaporará 2.6 galones de agua (+/- 10%) en 24 horas de funcionamiento continuo. (Esto presupone condiciones ambientales de 70° F y 30% de humedad relativa.)

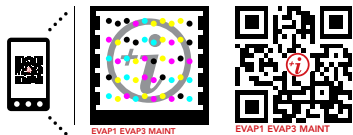
Auto (Automática) – EVAP3. Mayor control de la humedad. La velocidad del ventilador oscilará entre la opción para mantener mejor el nivel de humedad seleccionado con una cantidad mínima de ruido del ventilador.

Botón de humedad 35% - 60%, o Continuo (C) - Para fijar el nivel de humedad, presione el botón HUMIDITY (Humedad) hasta que se ilumine el nivel de humidificación deseado. El humidificador funcionará hasta lograr el nivel de humedad deseado. En este punto, el ventilador se apagará. La luz del indicador del nivel de humedad permanecerá encendida. Si el ventilador no se enciende, la configuración de humedad puede ser inferior al nivel de humedad del ambiente. Aumente el nivel seleccionado de humedad hasta que el ventilador se encienda. Esto es una indicación del nivel de humedad existente en el ambiente.

Limpieza y mantenimiento

Para reemplazar los filtros

El filtro extrae y acumula minerales y otras impurezas que se encuentran habitualmente presentes en el agua corriente. A pesar de que su humidificador ya viene equipado con dos filtros, eventualmente usted deberá reemplazarlos, ya que los mismos solo duran aproximadamente entre 4 y 8 semanas (dependiendo del uso). Debe saber que se necesitará cambiar los filtros cuando se pongan rígidos y dejen de absorber efectivamente el agua. Reemplace los filtros solamente por otros genuinos de la marca Vornado. Aun cuando los filtros de otras marcas tengan la misma medida, no tendrán la misma calidad y vida útil que los Vornado y disminuirán el rendimiento de su humidificador.



Consulte la demostración de cambio de filtro en su dispositivo móvil.

Cómo cambiarlo:

1. Apague el humidificador y desenchúfelo. Quite el cabezal eléctrico (A).

A



2. Quite y deseche los filtros usados (B).

B



3. Instale filtros Vornado genuinos nuevos, asegurándose de que queden embudidos contra los laterales de la unidad.
4. Vuelva a montar el cabezal eléctrico.

Instrucciones para la limpieza

La limpieza adecuada de su humidificador es esencial para la calidad del aire y el rendimiento de su unidad. La frecuencia a la que será necesario limpiar su humidificador variará, según el uso, la dureza del agua y los factores ambientales externos. Se recomienda, suponiendo un uso promedio, limpiar la unidad meticulosamente varias veces a lo largo de la estación, o cuando comiencen a formarse algas, depósitos minerales u otras partículas.

Para limpiar su humidificador:

1. Apague el humidificador y desenchúfelo. No lo sumerja en agua.
2. Enlevez la puissance y enlevez et jetez les filtres utilisés.
3. Retirez le réservoir d'eau y la grille d'entrée (A & B).

A



B



4. Vacíe el agua de la base y el depósito de agua. (Vea LLENADO DEL DEPÓSITO DE AGUA para obtener instrucciones).
Nota: No haga funcionar la unidad mientras la esté limpiando.
5. Llene la base y el depósito de agua con una mezcla de agua y vinagre blanco, mezclados en una proporción de una (1) taza de 8 onzas (250 ml) de vinagre blanco sin diluir por 1 galón (3,8 litros) de agua. No llene en exceso, deseche lo que no se utilice. La solución debe dejarse en la base y el depósito de agua durante 20 minutos para disolver cualquier residuo.

Limpieza y mantenimiento

C



8 onzas de
vinagre blanco

+



1 galón
de agua

6. Vacíe después de 20 minutos y limpie todas las superficies interiores de la base y el depósito de agua con un cepillo suave. Humedezca un paño suave con vinagre blanco sin diluir y limpie para eliminar el sarro.
7. Enjuague completamente con agua tibia limpia antes de desinfectar.

Para desinfectar:

1. Llene la base y el depósito de agua con una mezcla de agua y blanqueador con cloro, mezclados en una proporción de una (1) cucharadita de blanqueador con cloro por 1 galón (3,8 litros) de agua. No llene en exceso, deseche lo que no se utilice. La solución debe dejarse en la base y el depósito de agua durante 20 minutos para desinfectar por completo.

D



1 cucharadita de
blanqueador con
cloro



1 galón
de agua

2. Enjuague con agua hasta que no quede olor a blanqueador. Seque con un paño limpio o una servilleta de papel.
3. Vuelva a colocar todos los componentes. Los componentes deben estar firmes en sus lugares para que la unidad funcione correctamente.

Consejos y recomendaciones para el funcionamiento

- ▶ **Para mejores resultados:**
 1. Mantenga como mínimo una distancia de 6 pulgadas (15 centímetros) desde las paredes o los muebles en cada lado.
 2. Haga funcionar su humidificador continuamente. Esto ayudará a mantener el nivel de humedad deseado en su hogar, tiene un costo de apenas unos centavos por día y no dañará la unidad.
- ▶ Es normal y se prevé que su humidificador funcione continuamente durante algunos días con el fin de aumentar el contenido de humedad del aire al nivel deseado con el primer uso o si el aire es extremadamente seco. Una vez que su hogar y sus muebles hayan absorbido suficiente humedad y se hayan estabilizado al nivel de humedad deseado, la cantidad de agua utilizada disminuirá.
- ▶ Si hace funcionar su humidificador continuamente, tal vez sea necesario recargarlo con agua todos los días. Simplemente revise el tanque de agua para asegurarse de que haya un suministro de agua adecuado para el funcionamiento. Cuando el nivel de agua caiga por debajo del nivel de funcionamiento, la función de humidificación se detendrá.
- ▶ Proteja al tanque de agua de los daños. Cualquier fisura o daño al tanque puede ocasionar que pierda agua sobre el piso u otras superficies.
- ▶ Si el humidificador está apagado, con agua en la unidad, y no se lo volverá a encender durante 8 o más horas, o si la unidad no se limpia de la manera recomendada, es posible que se desarrollen algas o bacterias. Estos microorganismos pueden transportarse por el aire. Limpie meticulosamente la unidad para eliminar cualquier microorganismo (Vea LIMPIEZA Y MANTENIMIENTO para obtener instrucciones).
- ▶ Su humidificador ultrasónico tipo vórtice es efectivo para suministrar la humedad necesaria al aire seco. Se lo debe utilizar con el cuidado

adecuado para evitar la humidificación excesiva. Para saber si el nivel de humedad es demasiado alto, mida la condensación o escarcha en las ventanas. Ajuste su humidificador a un punto en el que esta condición esté al mínimo.

Almacenamiento

1. Limpie completamente la unidad (Vea INSTRUCCIONES PARA LA LIMPIEZA).
 2. Extraiga y deseche los filtros (Vea REEMPLAZO LOS FILTROS). ¡Asegúrese de comprar un nuevo Filtros ahora para estar preparado para la próxima estación!
 3. Vacíe el depósito de agua y la base. Deje que la unidad se seque por completo.
 4. Coloque en la caja de cartón original si dispone de la misma.
 5. Su humidificador ahora está listo para almacenarse. Almacene en un lugar seco y fresco.
- Nota:** Se recomienda volver a limpiar la unidad antes de utilizarla.

Programa de recarga automática

Seleccione el intervalo de envío y Vornado le enviará los filtros para el reemplazo automáticamente. Despreocúpese por tener que recordar cuándo volver a hacer el pedido. Mantenga la alta eficiencia de su humidificador Vornado. Para inscribirse, visite www.vornado.com, envíe un correo electrónico a consumerservice@vornado.com o comuníquese al 1-800-234-0604. Puede cancelar en cualquier momento.



Part # MD1-0002

Resolución De Problemas

Problema	Posible causa y solución
La unidad no se enciende.	<p>La unidad no está enchufada. Enchufe el cable de alimentación en el tomacorriente eléctrico.</p> <p>El interruptor de circuito/falla a tierra del hogar se desconectó o se quemó un fusible. Vuelva a conectar el interruptor de circuito/falla a tierra o cambie el fusible. Para obtener asistencia, comuníquese con un electricista autorizado.</p> <p>La unidad ha quemado un fusible. Suspnda el uso y desenchúfela. Comuníquese con el servicio de atención al cliente para obtener asistencia.</p> <p>La unidad está dañada o necesita reparación. Suspnda el uso y desenchúfela. Comuníquese con el servicio de atención al cliente para obtener asistencia.</p>
La unidad emite un sonido de burbujeo o borboteo.	<p>Esto es normal. El agua se está distribuyendo hacia la base.</p>
La unidad no produce la cantidad deseada de humedad.	<p>El nivel de agua en el tanque está vacío o demasiado bajo. Recargue con agua limpia y fría de la canilla. (Vea LLENADO DEL TANQUE DE AGUA para obtener instrucciones).</p> <p>La unidad ha alcanzado su punto de ajuste. Cuando se alcance el nivel de humedad establecido, el nivel de humedad en la habitación sea inferior al punto de ajuste de la humedad.</p> <p>El flujo de aire está bloqueado. Quite la obstrucción.</p> <p>Las configuraciones de la unidad están demasiado bajas. Establezca en salida Alta y humedad Continua para una salida máxima de la humedad.</p>
Los filtros están necesitando el reemplazo demasiado a menudo.	<p>El exceso de sodio en aguas blandadas químicamente podría provocar el endurecimiento de los filtros o que los mismos se pongan pastosos. Trate de usar agua no tratada o agua corriente.</p> <p>Pruebe con Bacteriostat o algún tratamiento para aguas de los que se venden en la mayoría de las ferreterías y casas de artículos para el hogar. O quite periódicamente los filtros y límpielos, dejándolos en remojo en agua corriente fría (la suficiente para cubrir los filtros) y dos cucharaditas de vinagre blanco. Déjelos reposar por 20 minutos y luego enjuague con agua corriente. Permita que escurra el exceso de agua y séquelos antes de volver a colocarlos en la base. No los estruje.</p> <p>El agua es demasiado dura. Use agua destilada.</p>



Humidificador Por Evaporación Vórtice • Garantía Limitada De 5 Años

Vornado Air LLC ("Vornado") garantiza al consumidor o comprador original que este Humidificador Por Evaporación Vórtice Vornado® ("Producto") no tendrá defectos de materiales o fabricación durante un periodo de cinco (5) años a partir de la fecha de compra, según el modelo. En caso de detectarse algún defecto de este tipo dentro del periodo de garantía, Vornado, a su discreción, reparará o reemplazará el producto sin costo alguno. Respecto de las reparaciones que no cubra la garantía o que se realicen fuera el periodo de garantía, deberá pagarse un arancel para cubrir el costo de materiales, mano de obra, manipulación y envío.

Esta garantía no se aplica a defectos generados por el abuso del Producto, modificación, alteración, reparación o servicio del Producto por parte de una persona externa a Vornado, manipulación incorrecta, mantenimiento adecuado, uso comercial del Producto, daños producidos durante el envío o atribuidos a hechos fortuitos.

LA REPARACIÓN O EL REEMPLAZO SEGÚN SE ESTABLECE EN VIRTUD DE ESTA GARANTÍA ES UN RECURSO EXCLUSIVO DEL CONSUMIDOR. VORNADO NO SERÁ RESPONSABLE DE LOS DAÑOS INCIDENTALES O INDIRECTOS PRODUCIDOS COMO CONSECUENCIA DEL INCUMPLIMIENTO DE UNA GARANTÍA EXPLÍCITA O IMPLÍCITA SOBRE ESTE PRODUCTO. SALVO QUE LA LEY APLICABLE LO PROHÍBA, LA VIGENCIA DE LA GARANTÍA IMPLÍCITA DE APTITUD O IDONEIDAD PARA UN FIN ESPECÍFICO DE ESTE PRODUCTO ESTARÁ LIMITADA A LA VIGENCIA DE ESTA GARANTÍA.

Algunos estados no permiten la exclusión o limitación de los daños incidentales o indirectos, o limitaciones sobre la vigencia de una garantía implícita. Por ello, las limitaciones o exclusiones que se indican anteriormente pueden no aplicarse en su caso. Esta garantía le otorga derechos legales específicos, y usted puede tener otros derechos que varían entre un estado y otro.

Para consultas sobre garantía o servicio de reparación, llame al 1-800-234-0604 o envíe

un correo electrónico a consumerservice@vornado.com para obtener un formulario de Autorización de Devolución ("RA" por sus siglas en inglés). Cuando se comunique con Vornado respecto del servicio de garantía, tenga o incluya el número de modelo y número de serie del Producto, como también su nombre, dirección, ciudad, estado, código postal y número de teléfono. Luego de recibir el formulario RA, envíe su Producto a:

Vornado Air LLC
Attn: Warranty & Repair
415 East 13th Street
Andover, KS 67002

Para su comodidad, tenga a mano el número de modelo y número de serie al comunicarse con Vornado para consultas sobre servicio. Para garantizar la manipulación adecuada, los paquetes deben estar claramente marcados con el número RA. Los paquetes que no estén claramente marcados con el número RA podrán ser rechazados en la plataforma de recepción.

La reparación y devolución de su Producto tardará entre 1 y 2 semanas a partir de la recepción del Producto. Para su control: Abroche o adjunte el comprobante original de compra a esta Guía para el propietario. También anote el número de serie de su producto a continuación (se encuentra en el autoadhesivo de especificaciones del producto).

N.º de serie _____

Registro del producto disponible en línea en www.vornado.com
© 2012 Vornado Air LLC Andover, KS 67002
Patente en trámite. Las especificaciones pueden modificarse sin previo aviso.
Fabricado en China.
Vornado® es una marca registrada propiedad de Vornado Air LLC.
www.vornado.com consumerservice@vornado.com 800.234.0604

Table Des Matières

Directives Importantes.....	28
La Différence Vornado	29
Informations Sur Le Produit.....	30
Pour démarrer	
Remplissage du réservoir d'eau	32
Utilisation des commandes de l'humidificateur.....	33
Nettoyage et Entretien	
Filtres De Remplacement.....	34
Instructions de nettoyage.....	35
Conseils et recommandations quant à l'utilisation.....	36
Rangement Adéquat.....	36
Programme de Réapprovisionnement Automatique	36
Dépannage.....	37
Garantie	38

Déballage de Votre Humidificateur

Retirez votre appareil l'humidificateur de sa boîte en le soulevant par le bas. Ne le soulevez pas au moyen de la poignée en creux du réservoir d'eau, sinon le réservoir pourrait se séparer, et l'appareil pourrait tomber et s'endommager.

Nous recommandons de vérifier la base et le réservoir d'eau pour détecter toute fuite qui pourrait survenir en raison de dommages causés pendant l'expédition. Veuillez noter qu'une inspection visuelle ne révélera pas nécessairement les fissures fines.

Pour détecter les fuites :

Placez l'humidificateur sur une surface qui résiste à l'eau. Versez de l'eau pour remplir la base et le réservoir d'eau, puis vérifiez s'il y a des fuites (consultez les instructions de REMPLISSAGE DU RÉSERVOIR D'EAU).

Aucune fuite?

Videz l'eau de la base, puis installez le réservoir d'eau et remplissez-le au complet (consultez les instructions de REMPLISSAGE DU RÉSERVOIR D'EAU).

Il y a des fuites?

Dans le cas peu probable où votre humidificateur fuirait, contactez le service aux consommateurs de Vornado afin que nous remplaçons immédiatement les pièces endommagées.

DIRECTIVES IMPORTANTES

Lisez attentivement et gardez ces instructions

Afin de réduire le risque de feu, de décharge électrique et de blessures corporelles lorsque vous utilisez des appareils électriques, des mesures de sécurité de base doivent toujours être suivies, y compris :

- LISEZ le mode d'emploi au complet avant d'utiliser l'humidificateur.
- ARRÊTEZ l'humidificateur si l'humidité relative excède 60 %. Les niveaux d'humidité dépassant le 60 % peuvent provoquer une accumulation d'humidité à l'intérieur de la maison et se condenser sur les surfaces, où les microorganismes peuvent facilement s'établir et se reproduire. Pour une lecture précise d'humidité, utilisez un hygromètre disponible dans la plupart des quincailleries ou centres d'achats.
- DÉBRANCHEZ l'humidificateur avant de le déplacer, le nettoyer ou le remplir.
- DÉBRANCHEZ et videz l'humidificateur qu'il n'est pas en fonctionnement.
- VIDEZ l'eau de l'appareil si l'humidificateur doit être éteint et laissé pour plus de 12 heures, puisque l'eau peut encourager le développement de microorganismes.
- Si cela arrive, nettoyez en profondeur et désinfectez l'appareil. (Référez-vous aux instructions sur l'ENTRETIEN HEBDOMADAIRE.)
- Si vous devez déplacer l'humidificateur à un autre endroit, premièrement ENLEVEZ le réservoir d'eau.
- Cet humidificateur a besoin d'un nettoyage périodique. Référez-vous aux instructions fournies sur l'ENTRETIEN HEBDOMADAIRE. NE nettoyez PAS l'humidificateur en quelque manière autre que selon les instructions de ce manuel.
- N'utilisez PAS l'humidificateur sur une surface irrégulière. Placez toujours l'humidificateur sur une surface ferme et plane.
- NE PAS déjouer la mesure de sécurité de la fiche polarisée. Ce produit est équipé avec une prise polarisée de courant alternatif (l'une des lames est plus large que l'autre). Cette fiche entrera dans une prise de courant seulement d'un côté. Ceci est un DISPOSITIF DE SÉCURITÉ.
- Si vous ne parvenez pas à faire entrer la fiche dans la prise, inversez la fiche.
- Si la fiche n'entre pas dans la prise, contactez un électricien qualifié afin d'installer une prise adéquate.
- NE PAS utiliser l'humidificateur dont le cordon d'alimentation ou la fiche

est endommagée, ou après un dysfonctionnement de l'humidificateur ou dans le cas où l'appareil aurait été échappé ou endommagé d'une manière quelconque. Retournez l'appareil à Vornado pour une vérification, un ajustement électrique ou mécanique ou une réparation.

- NE PAS faire passer le cordon d'alimentation sous le tapis.
- NE couvrez PAS le cordon avec des carpettes, des tapis de couloir ou d'escalier, ou tout autre objet similaire. Placez le cordon d'alimentation loin des zones de circulation, de sorte qu'il ne deviendra pas un risque de trébuchement.
- NE PAS placer l'humidificateur à proximité de sources de chaleur comme les fours, les radiateurs ou les appareils de chauffage.
- NE PAS verser de l'eau en dessus de la grille de sortie d'air sur la tête motrice.
- N'utilisez PAS de javellisant non dilué ou de l'ammoniaque, de détergents trop forts, de nettoyants abrasifs, d'essence, de diluant à peinture ou d'autres solvants pour nettoyer cet humidificateur. Utilisez uniquement de l'eau et les détergents doux pour effectuer l'entretien quotidien de votre humidificateur.
- NE TENTEZ PAS DE DÉSSASSEMBLER LA TÊTE MOTRICE. LE FAIRE ANNULERA VOTRE GARANTI ET POURRAIT CAUSER DES DOMMAGES ET/OU DE LÉSIONS CORPORELLES. La tête motrice ne contient aucune pièce réparable par l'utilisateur. Si vous éprouvez un problème, veuillez voir la garantie limitée pour des informations.
- NE PAS enlever et remplacer plusieurs fois le réservoir d'eau. Cela remplira seulement la Base et l'eau se renversera.
- L'humidificateur devrait être gardé loin des enfants et n'est pas être placé dans la chambre d'un enfant sans supervision.
- Voir page 15 pour la liste des pièces et l'identification.
- Si vous avez des questions concernant ce produit, veuillez appeler le service à la clientèle de Vornado sans frais au 1-800-234-0604 ou envoyez un courriel à consumerservice@vornado.com

La Confiance.

On entend souvent dire que la confiance n'est pas donnée, mais méritée. Pendant des décennies, Vornado continue de mériter la confiance de ses clients en ne leur offrant que ce qu'elle a de mieux. Vornado propose le plus haut niveau de performance, couplé avec le plus haut niveau de soutien possible. Une entière satisfaction sans aucune exception - c'est bien la promesse que Vornado vous fait. Si vous n'êtes pas satisfait pour une quelconque raison, veuillez nous contacter. Nos représentants hautement informés sont à votre disposition au 1-800-234-0604 de 7:00h à 18:00h HNC. Une abondance de données de soutien supplémentaires est également disponible en ligne sur www.vornado.com. J'aimerais enfin, à mon propre nom et au nom de l'ensemble du personnel de notre siège à Andover, Kansas, vous remercier d'avoir choisi Vornado.

Cordialement,
Bill Phillips
CEO, Vornado Air



Découvrez notre gamme complète de produits sur www.vornado.com

La Différence Vornado



Voyez-le
en
action



Sans besoin d'une
bonne circulation

Avec la technologie
Vornado Vortex

L'humidificateur à fonctionnement assisté par tourbillon de Vornado diffuse l'humidité plus loin dans la pièce, ce qui accélère l'humidification. Tirant parti du procédé tourbillonnaire exclusif de Vornado qui lui est intégré, l'humidificateur pousse de grands volumes d'air sec et âpre à travers deux filtres spécialement conçus. Ainsi, il fait circuler l'air humidifié dans toute la pièce afin de fournir une humidification complète et uniforme.

Informations Sur Le Produit

1 Tableau de Commande

Utilisez facilement avec un bouton d'interrupteur d'alimentation, 3 vitesses de ventilation, un bouton de contrôle du niveau d'humidité et des voyants lumineux DEL pour le niveau d'humidité et la vitesse de ventilation. Les niveaux d'humidité peuvent être réglés de 35 % à continu.

2 Tête Motrice

Le moteur puissant fait circuler de l'air humide dans toute la chambre.

3 Grille de Sortie D'air

Elle fait lancer la circulation Vornado's signature Vortex.

4 Hygrostat

Il indique l'humidité existante dans la chambre pour un contrôle automatique de l'humidité.

5 Filtres

Les filtres d'évaporation Vornado® drainent l'eau.

6 Grille D'entrée

Conçue pour une entrée efficace de l'air.

7 Base

Construction durable à l'épreuve des fuites.

8 Réservoir d'eau

Grâce à sa grande capacité de 5,68 l, il n'a pas besoin d'être rempli aussi souvent.

9 Joint

Crée une barrière étanche entre le bouchon et le réservoir d'eau.

10 Bouchon

Bouchon qui s'enlève facilement pour permettre de remplir le réservoir d'eau en toute commodité.

11 Orifice de remplissage

Permet à l'eau du réservoir de s'écouler dans la base.

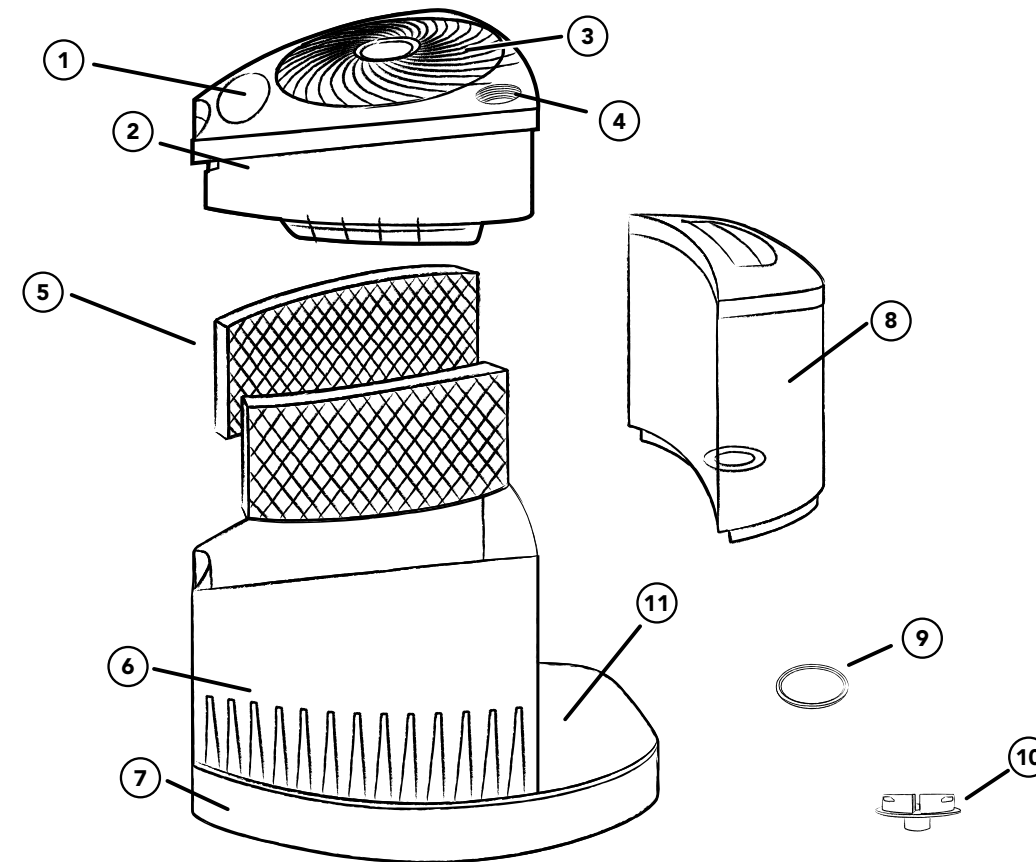
EVAP3 Article# HU1-0034-06
EVAP1 Article # HU1-0021-28

Modèle EVAP3
Modèle EVAP1

Garantie 5 Year Limited

Filtres Vornado MD1-0002

Informations Sur Le Produit



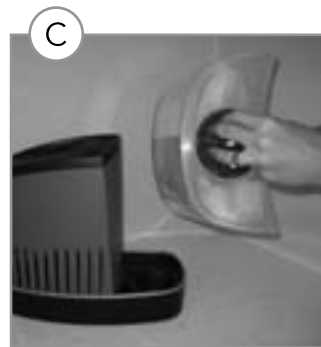
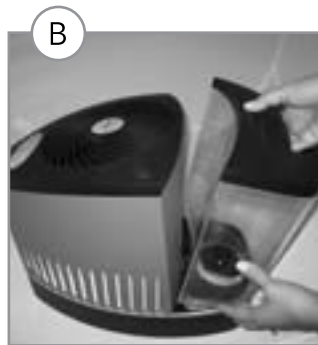
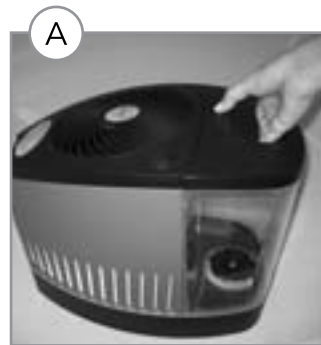
Pour démarrer

Remplissage du réservoir d'eau

Cet humidificateur peut contenir 5,68 litres d'eau et produire 9,84 litres de vapeur en 24 heures (s'il est réglé au débit élevé avec humidité continue).

Pour remplir le réservoir d'eau :

1. Débranchez l'humidificateur. Placez-le sur une surface ferme et plane, comme le plancher.
Remarque : L'eau peut se déverser pendant le nettoyage, le déplacement de l'appareil ou le remplissage du réservoir d'eau. Il faut donc faire attention d'éviter les déversements pendant ces activités.
2. Retirez le réservoir d'eau en empoignant la poignée en creux à l'arrière (A). Soulevez et tirez le réservoir hors de l'appareil (B).
3. Retournez le réservoir à l'envers.
4. Enlevez le bouchon (C). Videz toute l'eau qui reste dans le réservoir d'eau. Rincez, essuyez pour nettoyer et asséchez à l'aide d'un chiffon propre ou d'un essuie-tout.
5. Placez le réservoir d'eau dans un lavabo ou un évier, l'ouverture sur le dessus.
6. Remplissez le réservoir avec de l'eau fraîche du robinet (D).
7. Assurez-vous que le joint est bien placé, puis remettez le bouchon.
8. Abaissez le réservoir d'eau dans la base en plaçant l'orifice de remplissage par-dessus la bosse surélevée dans la base. Une fois le réservoir placé correctement, la valve de sortie d'eau à l'intérieur du bouchon s'ouvrira pour que l'eau s'écoule dans la base.



Utilisation des commandes de l'humidificateur



EVAP3

Lisez ce mode d'emploi et assurez-vous de le comprendre avant d'utiliser ce produit. Placez l'appareil de façon qu'il ne souffle pas d'air directement sur les objets ou les plantes. Branchez l'appareil dans une prise CA de 110-120 volts.

Touche d'alimentation (A): Pour mettre l'appareil sous tension, appuyez sur. Par défaut, l'appareil sera réglé à vitesse du ventilateur élevé avec taux d'humidité continu. Choisissez les réglages pour l'utilisation désirée.

Touche d vitesse du ventilateur (B) - Choisissez Low (faible), High (élevé), ou Auto sur EVAP3. Choisissez Faible (I), Moyenne (II) ou élevé (III) sur EVAP1.

Low (faible) (I) – faible diffusion de vapeur et vitesse de ventilateur basse pour un fonctionnement silencieux pendant la nuit ou une utilisation dans les petites pièces. À ce réglage, votre humidificateur peut fonctionner longtemps sans avoir à être rempli.

Medium (moyenne) or (II), EVAP1 - Production MOYENNE pour un fonctionnement normal.

High (élevé) – forte diffusion de vapeur et vitesse de ventilateur élevée pour une humidification rapide des grandes pièces. À ce réglage, 9,84

litres d'eau (+/- 10 %) s'évaporont en 24 heures d'utilisation continue (si la pièce est chauffée à 70 °F [21 °C] avec 30 % d'humidité relative).

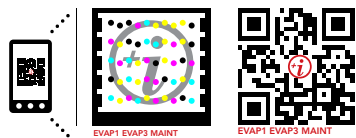
Auto, EVAP3 – permet de contrôler l'humidité de façon plus précise. La vitesse du ventilateur et la diffusion de vapeur varieront afin de mieux maintenir le taux d'humidité choisi en réduisant au minimum le bruit du ventilateur.

Touche d'humidité (C): permet de régler le taux d'humidité désiré. Choisissez 35 % à 60 % ou continu. Appuyez sur la touche d'humidité jusqu'à ce que le taux d'humidité désiré soit illuminé. L'appareil fonctionnera jusqu'à ce que le taux d'humidité désiré soit atteint, puis la diffusion de vapeur s'arrêtera. Le voyant de taux d'humidité restera allumé. Si aucune vapeur n'est diffusée, le taux d'humidité choisi est peut-être inférieur au taux d'humidité de la pièce. Augmentez le taux d'humidité de l'appareil jusqu'à ce que la vapeur soit diffusée. Vous obtenez ainsi une indication quant au taux d'humidité actuel de la pièce. Si de l'humidité se forme sur les murs ou les fenêtres, abaissez les réglages d'humidité ou mettez l'humidificateur hors tension.

Nettoyage et Entretien

Filtres De Remplacement

Les Filtres filtrent et accumulent des minéraux et d'autres impuretés qui se produisent naturellement dans toutes les réserves d'eau. Si votre Humidificateur a été équipé avec deux Filtres, vous devrez à fin de compte les remplacer, car ils durent environ 4-8 semaines, selon l'utilisation. Vous allez savoir que les Filtres doivent être remplacés quand ils deviennent durs et n'absorbent plus de l'eau de façon efficace. Remplacez les Filtres avec les filtres originaux de marque Vornado. Même si d'autres marques peuvent s'adapter à nos appareils, ces filtres n'ont pas la même qualité et durée de vie que les nôtres et peuvent diminuer la performance de l'humidificateur.



Consultez le tutoriel de remplacement des filtres sur votre appareil mobile.

Pour Remplacer Les Filtres:

1. Débranchez l'appareil. Enlevez la puissance (A).

A



2. Enlevez et jetez les filtres utilisés (B).

B



3. Installez les nouveaux filtres originaux de Vornado en vous assurant qu'ils sont rincés dans les côtés de l'appareil.

4. Rattachez la puissance.

Instructions de nettoyage

Il est essentiel de nettoyer adéquatement humidificateur tourbillonnaire à pour maintenir la qualité de l'air et la performance de l'appareil. La fréquence de nettoyage de votre humidificateur variera selon son utilisation, la dureté de l'eau et certains facteurs environnementaux externes. Pour une utilisation moyenne, il est recommandé de bien nettoyer l'appareil plusieurs fois pendant la saison, ou dès que des algues, des dépôts minéraux ou d'autres particules apparaissent.

Pour nettoyer l'humidificateur:

1. Éteignez l'humidificateur et débranchez l'appareil.
2. Retirez la tête motrice et les filtres de la base.
3. Retirez le réservoir d'eau et la grille d'entrée (A & B).

A



B



4. Videz l'eau qui reste dans la base et le réservoir d'eau (consultez REMPLISSAGE DU RÉSERVOIR D'EAU pour de plus amples instructions).

Remarque : Ne faites pas fonctionner l'appareil pendant le nettoyage.

5. Remplissez la base et le réservoir d'eau d'une solution composée de 225 ml de vinaigre blanc non dilué pour 3,8 l d'eau. Ne versez pas trop de solution; jetez toute portion non utilisée. Laissez la solution agir pendant 20 minutes dans la base et le réservoir d'eau afin de dissoudre tout résidu.

Nettoyage et Entretien

C



235 ml de
vinaigre blanc

+



3,8 l d'eau

6. Videz après 20 minutes, puis nettoyez toutes les surfaces internes de la base et du réservoir d'eau à l'aide d'une brosse douce. Mouillez légèrement un chiffon doux avec du vinaigre blanc non dilué, puis essuyez les surfaces pour éliminer les dépôts.
7. Rincez abondamment à l'eau chaude propre avant de désinfecter.

Pour désinfecter :

1. Remplissez la base et le réservoir d'eau d'une solution composée d'une (1) cuillère à thé de javellisant chloré pour 3,8 l d'eau. Ne versez pas trop de solution; jetez toute portion non utilisée. Laissez la solution agir pendant 20 minutes dans la base et le réservoir d'eau afin de désinfecter complètement.

D



1 tsp. à thé de
javellisant chloré

+



3,8 l d'eau

2. Rincez à l'eau jusqu'à ce que l'odeur de javellisant disparaisse. Asséchez à l'aide d'un chiffon propre ou d'un essuie-tout.
3. Réinstallez tous les composants. Les composants doivent être fixés fermement en place pour que l'appareil fonctionne correctement.

► Pour obtenir les meilleurs résultats :

1. Pour optimiser la circulation d'air, assurez-vous que rien n'obstrue le diffuseur de vapeur ni la grille. Assurez-vous que les rideaux et les autres éléments sont suffisamment éloignés de l'appareil afin qu'ils ne soient pas aspirés par les prises d'air latérales et qu'ils n'entravent pas la circulation d'air.
 2. Laissez l'appareil fonctionner continuellement. Ainsi, vous maintiendrez le degré d'humidité désiré dans votre maison, pour quelques sous par jour seulement, ce qui n'endommagera pas l'appareil.
- Il est normal que votre humidificateur fonctionne continuellement pendant quelques jours afin d'augmenter le taux d'humidité de l'air jusqu'au taux désiré lors de la première utilisation ou si l'air est extrêmement sec. Quand votre maison et vos meubles auront absorbé suffisamment d'humidité et que le taux d'humidité se sera stabilisé, l'appareil utilisera moins d'eau.
- Si vous laissez l'humidificateur fonctionner continuellement, vous devrez peut-être le remplir d'eau chaque jour. Vérifiez simplement le réservoir d'eau pour vous assurer qu'il contient assez d'eau pour que l'appareil fonctionne. Si le niveau d'eau est inférieur au niveau de fonctionnement, la fonction de diffusion de vapeur arrêtera.
- Protégez le réservoir d'eau des dommages. Si le réservoir comporte des fissures ou des dommages, l'eau peut s'écouler sur le sol ou d'autres surfaces.
- Si l'humidificateur contient de l'eau et qu'il demeure hors tension pendant douze heures ou plus, ou si l'appareil n'est pas nettoyé selon les recommandations, des algues ou des bactéries pourraient se développer. Ces micro-organismes pourraient se retrouver en suspension dans l'air. Nettoyez minutieusement l'appareil pour éliminer tout micro-organisme (consultez les instructions de NETTOYAGE ET ENTRETIEN).
- Votre humidificateur tourbillonnaire à humidifie efficacement l'air sec. Il doit être utilisé adéquatement afin de ne pas trop humidifier l'air. Pour savoir si

le taux d'humidité est trop élevé, vérifiez s'il y a de la condensation ou du givre sur les fenêtres. Réglez votre humidificateur afin qu'il y ait le moins de condensation ou de givre possible.

Rangement

1. Nettoyez minutieusement l'appareil (consultez les INSTRUCTIONS DE NETTOYAGE).
2. Enlevez et jetez les Filtres (consultez REMPLACEMENT DE LES FILTRES). Assurez-vous d'acheter une nouvelle filtres maintenant afin d'en avoir une sous la main pour la prochaine saison!
3. Videz le réservoir d'eau et la base. Laissez l'appareil sécher complètement.
4. Remettez l'appareil dans son carton d'emballage si possible.
5. L'humidificateur peut maintenant être rangé. Rangez-le dans un endroit frais et sec.

Remarque : Il est recommandé de nettoyer l'appareil à nouveau avant de l'utiliser.

Programme de réapprovisionnement automatique

Vous choisissez la fréquence d'expédition, et Vornado vous enverra automatiquement les filtres de remplacement. Ne craignez plus d'oublier de passer une nouvelle commande. Maintenez le degré d'efficacité élevé de votre humidificateur Vornado. Pour vous inscrire, visitez www.vornado.com, envoyez un courriel à consumerservice@vornado.com ou composez le 1-800-234-0604. Vous pouvez annuler votre inscription en tout temps.



Part # MD1-0002

Problème	Cause Possible et Solution
L'appareil ne se met pas sous tension.	<p>L'appareil n'est pas branché. Brancher le cordon d'alimentation dans une prise électrique.</p> <p>Le disjoncteur de circuit/de fuite à la terre de la résidence a été déclenché ou a fait sauter un fusible. Réenclencher le disjoncteur de circuit/de fuite à la terre, ou remplacer le fusible. Pour obtenir de l'aide, contacter un électricien compétent.</p> <p>Un fusible de l'appareil a sauté. Cesser immédiatement d'utiliser l'appareil et le débrancher. Contacter le service aux consommateurs pour obtenir de l'aide.</p> <p>L'appareil est endommagé ou il doit être réparé. Cesser immédiatement d'utiliser l'appareil et le débrancher. Contacter le service aux consommateurs pour obtenir de l'aide.</p>
L'appareil fait un bruit de bulles ou des gargouillis.	<p>Cela est normal. L'eau s'écoule dans la base.</p>
L'appareil ne génère pas l'humidité désirée.	<p>Le réservoir est vide ou ne contient pas assez d'eau. Remplir avec de l'eau propre et fraîche du robinet (consulter REMPLISSAGE DU RÉSERVOIR D'EAU pour de plus amples instructions).</p> <p>Le réglage choisi pour l'appareil est atteint. Quand le degré d'humidité choisi est atteint, jusqu'à ce que le taux d'humidité de la pièce descende sous le taux d'humidité choisi.</p> <p>La circulation d'air est entravée. Enlever ce qui entrave la circulation d'air.</p> <p>Les réglages de l'appareil sont trop faibles. Choisir le débit élevé et l'humidité continue pour une production d'humidité maximale.</p>
Les filtres ont besoin de remplacement trop souvent.	<p>Le sodium supplémentaire dans l'eau chimiquement adoucie peut provoquer le durcissement et la perte de fermeté des filtres. Essayez d'utiliser de l'eau du robinet ou non-traitée.</p> <p>Essayez le Bactériostatique ou le traitement de l'eau trouvés dans la plupart des magasins de matériels ou spécialisés pour la maison. Ou enlevez périodiquement les filtres et nettoyez-les en les trempant dans l'eau fraîche du robinet (assez pour couvrir les filtres) avec deux cuillères de vinaigre blanc. Laissez reposer 20 minutes, puis rincez à l'eau froide. Laissez couler l'excès d'eau puis séchez avant de les remplacer dans la Base. Ne pas tordre.</p> <p>L'eau est trop dure. Utiliser de l'eau distillée.</p>



Humidificateur Tourbillonnaire D'Évaporation • Garantie Limitée De 5 Ans

Vornado Air LLC (ci-après « Vornado ») garantit au consommateur initial ou à l'acheteur initial que ce Humidificateur Tourbillonnaire D'Évaporation Vornado® (ci-après le « Produit ») ne comporte aucun vice de matériau ou de fabrication pour une période de cinq (5) ans à compter de la date d'achat, selon le modèle. Si un tel vice était décelé durant la période de garantie, Vornado, à sa discrétion, réparera ou remplacera le Produit sans frais. Pour les réparations non couvertes par la garantie ou demandées après la période de garantie, des frais s'appliqueront pour couvrir le coût des matériaux, de la main-d'œuvre, de la manutention et de l'expédition.

Cette garantie ne s'applique pas aux vices qui résultent d'une utilisation abusive du Produit, de sa modification, de la réparation du Produit ou de son entretien s'ils n'ont pas été effectués par Vornado, d'une manutention inadéquate, d'un entretien inadéquat, d'un usage commercial du Produit, des dommages survenus lors de la livraison ou causés par des catastrophes naturelles.

LES RÉPARATIONS ET LES REMPLACEMENTS PRÉVUS EN VERTU DE LA GARANTIE CONSTITUENT LE SEUL RECOURS DU CONSOMMATEUR. VORNADO NE PEUT ÊTRE TENUE RESPONSABLE DES DOMMAGES ACCESSOIRES OU INDIRECTS DÉCOULANT DE LA VIOLATION DE TOUTE GARANTIE EXPRESSE OU IMPLICITE DE CE PRODUIT. SAUF DANS LA MESURE INTERDITE PAR LES LOIS APPLICABLES, TOUTE GARANTIE IMPLICITE DE QUALITÉ MARCHANDE OU D'APTITUDE À UN USAGE PARTICULIER RELATIVE À CE PRODUIT EST LIMITÉE À LA DURÉE DE CETTE GARANTIE.

Certains États et certaines provinces ne permettent pas l'exclusion ou la limitation des dommages accessoires ou indirects, ou permettent la limitation de la durée d'une garantie implicite : dans ce cas, les clauses de limitation ou d'exclusion décrites ci-dessus peuvent ne pas s'appliquer à votre situation. Cette garantie vous octroie des droits légaux spécifiques. Vous pouvez également bénéficier de droits additionnels, selon l'État ou la province où vous trouvez.

38 Français

Pour bénéficier du service de garantie ou de réparation, composez le 1-800-234-0604 ou envoyez un courriel à consumerservice@vornado.com afin d'obtenir un formulaire d'autorisation de retour (« AR »). Veuillez avoir sous la main ou inclure le numéro de modèle de votre Produit et son numéro de série, ainsi que vos nom, adresse, ville, État ou province, code postal et numéro de téléphone quand vous contactez Vornado au sujet du service de garantie. Après avoir reçu le formulaire d'autorisation de retour, expédiez votre Produit à :

Vornado Air LLC
Attn: Warranty & Repair
415 East 13th Street
Andover, KS 67002

Pour plus de commodité, veuillez avoir le numéro de modèle et le numéro de série sous la main quand vous contactez Vornado au sujet des réparations. Pour garantir une manutention adéquate, le numéro d'AR doit être clairement indiqué sur le colis. Les colis où ne figure pas clairement le numéro d'AR peuvent être refusés au quai de déchargement. Veuillez prévoir 1 à 2 semaines pour la réparation et le retour de votre Produit après réception du Produit. Pour vos dossiers : agrafez ou joignez votre reçu d'achat original au présent mode d'emploi. Veuillez aussi inscrire le numéro de série de votre produit ci-dessous (vous le trouverez sur la décalcomanie où figurent les caractéristiques techniques du produit).

No de série _____

Vous pouvez enregistrer le produit en ligne sur www.vornado.com

© 2012 Vornado Air LLC Andover, KS 67002, É.-U.

Brevets en instance. Les caractéristiques techniques peuvent être modifiées sans préavis.

Fabriqué en Chine.

Vornado® est une marque de commerce qui appartient à Vornado Air LLC.

www.vornado.com consumerservice@vornado.com 800.234.0604



Vornado Air, LLC
415 East 13th Street, Andover, Kansas 67002
800.234.0604 | www.vornado.com

Speak your mind www.vornado.com/reviews